

Medium Pipe Clamp Fig. 212

Size Range: 1/2" through 30"

Material: Carbon steel

Finish: Plain or Hot-Dip Galvanized
(Hot Dip Galvanized comes with zinc plated hardware)

Service: Recommended for suspension of cold pipe lines or hot lines where no insulation is required.

Maximum Temperature: Plain 750° F, Galvanized 450° F

Approvals: Complies with Federal Specification A-A-1192A (Type 4) WW-H-171-E (Type 4), ANSI/MSS SP-69 and MSS SP-58 (Type 4). UL, ULC Listed and FM Approved (Sizes 3/4" - 8").

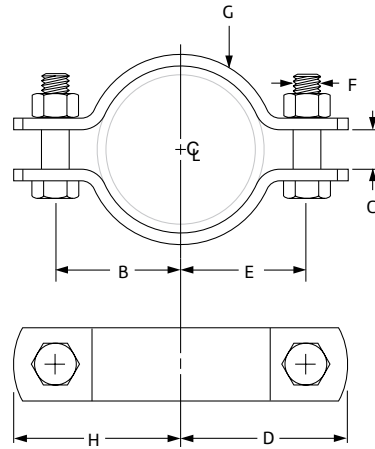
Installation: Normally used with weldless eye nut Fig. 290 or eye rod.

Features:

- Clamps tightly to pipe.
- Wide range of sizes.
- Equal gap design on many sizes.

Ordering: Specify pipe size, figure number, name and finish.

Note: The "C" gap dimension ensures adequate clearance at the top attachment point for a weldless eye nut or other appropriate rod attachment. This gap may or may not be present on the bottom portion of the clamp. If different loads or dimensions are required, refer to Fig. 42 SD non-standard two bolt pipe clamp.



Note: This picture is representative of a typical Figure 212. Distance between clamp ears beneath pipe may or may not be equal to upper gap.

Fig. 212: Dimensions (in) • Loads (lbs) • Weight (lbs)

Pipe Size	Span Ft.	Max Load For Service Temp		Weight	B	C	Rod Take Out E	H	D	F	G Width
		650° F	750° F								
1/2				0.29	1		1 ³ / ₁₆	1 ¹⁷ / ₃₂	1 ²³ / ₃₂		
3/4	7*	500	-	0.33	1 ¹ / ₈		1 ¹ / ₄	1 ²¹ / ₃₂	1 ²⁵ / ₃₂		
1				0.35		1 ³ / ₈	1 ²⁹ / ₃₂	5 ⁵ / ₁₆			
1 ¹ / ₄				0.38		1 ⁵ / ₈	1 ³¹ / ₃₂	2 ⁵ / ₃₂			
1 ¹ / ₂	9*	800		0.43	1 ⁹ / ₁₆		1 ¹¹ / ₁₆	2 ³ / ₃₂	2 ⁷ / ₃₂		
2				1.10	2 ⁷ / ₈	2 ³ / ₄	2 ³ / ₄				
2 ¹ / ₂				1.20	2 ⁵ / ₈	3 ¹ / ₄	3 ¹ / ₄				
3	12*	1,040	930	1.40	2 ⁷ / ₈		2 ⁷ / ₈	3 ¹ / ₂	3 ¹ / ₂	1/2	
3 ¹ / ₂				1.50	3 ³ / ₁₆	5/8	3 ³ / ₁₆	3 ¹³ / ₁₆	3 ¹³ / ₁₆		
4				1.80	3 ¹ / ₂		3 ¹ / ₂	4 ¹ / ₄	4 ¹ / ₄		
5	16*			2.60	4 ³ / ₁₆	3/4	4 ³ / ₁₆	4 ¹⁵ / ₁₆	4 ¹⁵ / ₁₆	5/8	1/4
6				5.40	4 ⁷ / ₈	1/4	4 ⁷ / ₈	5 ³ / ₄	5 ³ / ₄	3/4	1/2
8				6.50	6		6	6 ⁷ / ₈	6 ⁷ / ₈		
10	22*			13.60	7 ⁷ / ₁₆		7 ⁷ / ₁₆	8 ⁹ / ₁₆	8 ⁹ / ₁₆		
12				15.20	8 ⁷ / ₁₆	1	8 ⁷ / ₁₆	9 ⁹ / ₁₆	9 ⁹ / ₁₆		2
14				20.50	9 ¹ / ₄		9 ¹ / ₄	10 ⁵ / ₈	10 ⁵ / ₈	7/8	
16	15			22.30	10 ¹ / ₄	1 ¹ / ₈	10 ¹ / ₄	11 ⁵ / ₈	11 ⁵ / ₈		
18				31.60	11 ⁵ / ₈	1/4	11 ⁵ / ₈	13	13	1	2 ¹ / ₂
20				35.80	12 ³ / ₄	3/8	12 ³ / ₄	14 ¹ / ₈	14 ¹ / ₈	1 ¹ / ₈	
24	12	3,060	2,730	53.10	15 ¹ / ₄	1 ⁵ / ₈	15 ¹ / ₄	16 ⁷ / ₈	16 ⁷ / ₈	1 ¹ / ₄	3
30				113.90	19	2	19	21 ¹ / ₈	21 ¹ / ₈	1 ³ / ₄	4

Clamps may be furnished with square ends. "Span" represents the maximum recommended distance between hangers on a continuous & straight run of horizontal standard weight steel pipe filled with water. In all cases, verify that chosen location of hangers does not subject hangers to a load greater than the maximum recommended load shown above. For vapor service, the presence of fittings or insulation, and other weights and types of pipe, spans may either increase or decrease. In all cases, verify that chosen location of hanger does not subject hangers to a load greater than the maximum recommended load shown. *Indicates that span represents the maximum span for water filled pipe.

PROJECT INFORMATION	APPROVAL STAMP
Project:	Approved
Address:	Approved as noted
Contractor:	Not approved
Engineer:	Remarks:
Submittal Date:	
Notes 1:	
Notes 2:	