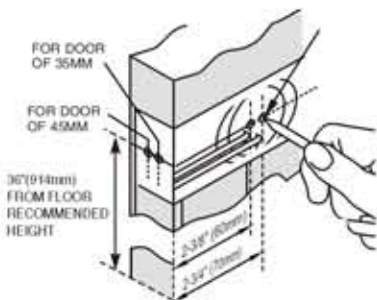


INSTRUCTION FOR INSTALLING LOCKSET

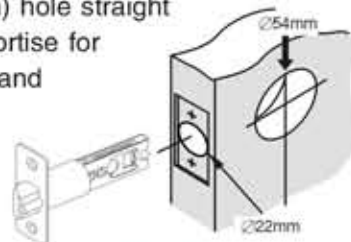
1. MARK DOOR



Place template on outside of door with height center line 36" from floor. Mark both holes as shown.

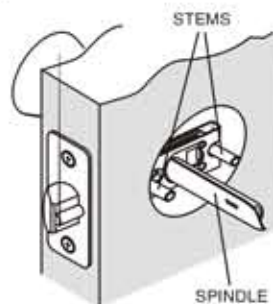
2. DRILL TWO HOLES

Drill a 2-1/8" (54mm) hole through face of door. Drill 7/8" (22mm) hole straight into edge of door. Mortise for latch face until flush and install latch bolt.



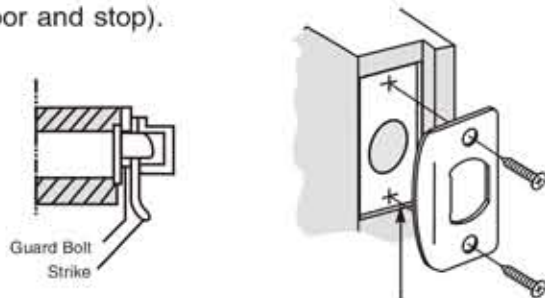
4. INSTALL OUTSIDE KNOB

Insert outside knob with spindle into latch, making certain that stems are positioned correctly through latch hole. Press flush against door. For easier insertion of spindle, depress latchbolt.



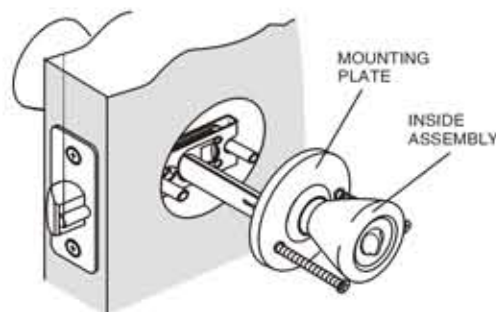
3. INSTALL STRIKE ON DOOR JAMB

Transfer the vertical center line and the height line to the jamb. Drill 1-1/16" (27mm) hole 7/8" (22mm) deep. Cut out jamb until flush and install strike, setting the screw hole on the center line. (Adjustable permits bending in or out to eliminate excessive looseness between door and stop).



5. INSTALL INSIDE ASSEMBLY

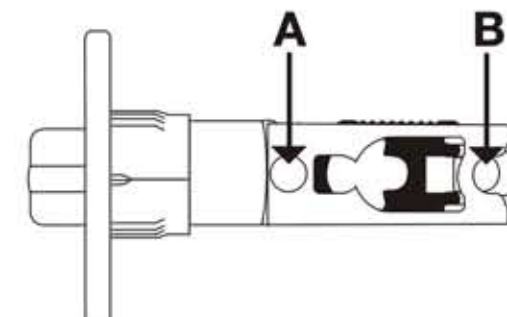
Slip inside assembly over spindle and locking bar (Turnbotton must be in horizontal position to receive locking bar.) Insert screws through mounting plate and tighten evenly until snugly secured.



Adjustable Latch Instructions

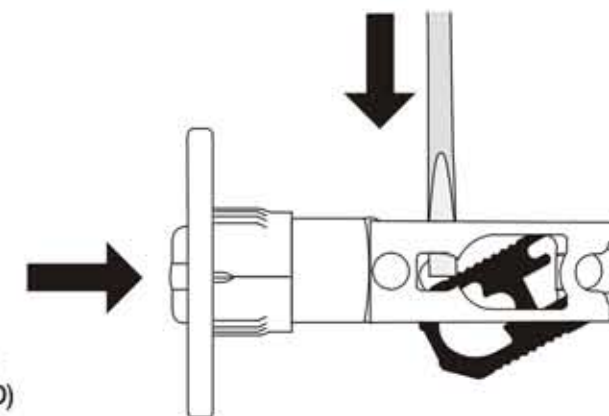
2 3/8" Backset Installation

1. 2 3/8" (60mm) backset is standard for most doors. This installation requires no adjustment, simply install by inserting screws thru holes (A) and (B) of the latch. Proceed with step 4 of "Instructions for installing lockset" on reverse page.



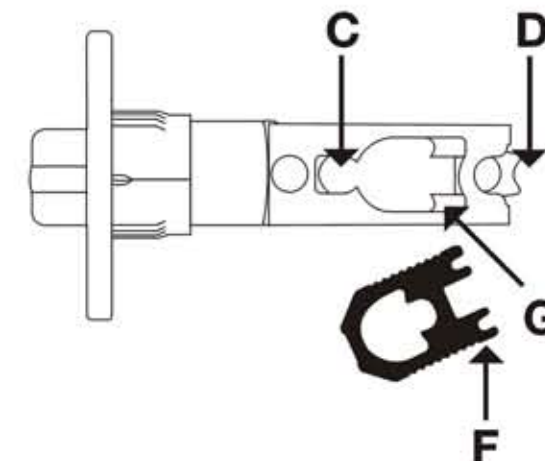
2 3/4" Backset Installation

1. Push the latch in and hold it.
2. Use a screwdriver to push the black insert slide extension up or down to remove it. The latch is now ready for installation.
3. When using the 2 3/4" (70mm) backset, lockset screw stems are inserted through hole (C) and (D) on the latch.



Reverse from 2 3/4" to 2 3/8"

- 1) Push the latch in and hold it.
- 2) Catch the open slot on the rear of the extension piece (F) on the notch (G) inside the latch.
- 3) Lower extension piece into latch while at the same time releasing the latch.



1 FOLD HERE ON DOOR EDGE

IMPORTANT!
PLACE TEMPLATE FOLD ON LOW EDGE OF DOOR BEVEL.

2 MARK CENTER OF 1-3/4" (45mm) THICK DOOR FOR 7/8" (22mm) HOLE

MARK CENTER OF 1-3/8" (35mm) THICK DOOR FOR 7/8" (22mm) HOLE

5 DRILL 7/8" (22mm) HOLE IN CENTER OF DOOR EDGE FOR LATCH

CAUTION!
Check backset required for lock before drilling 2-1/8" (54mm) hole. Backset is length from center edge of door to center of 2-1/8" (54mm) hole.

3 MARK CENTER OF 2-1/8" (54mm) HOLE ON DOOR FACE

4 DRILL 2-1/8" (54mm) HOLE

2 3/4" BACKSET

2 3/8" BACKSET

BACKSET

TEMPLATE

Recommended centerline is 36" (914mm) from floor.