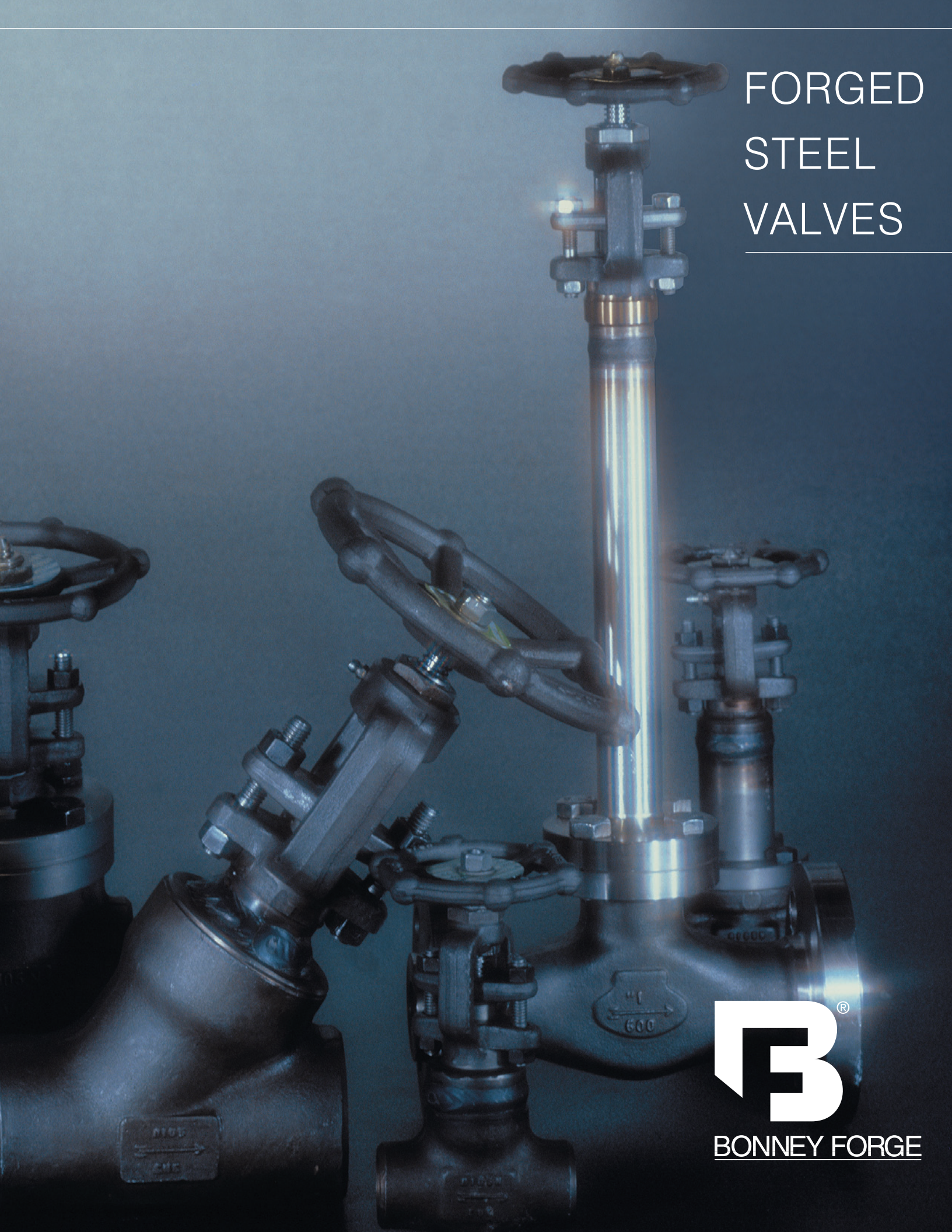


FORGED  
STEEL  
VALVES

---



BONNEY FORGE



## BONNEY FORGE

SALES CENTER/WAREHOUSE  
14496 CROGHAN PIKE  
P.O. BOX 330  
MT. UNION, PA 17066  
(814) 542-2545 • (800) 231-0655  
(800) 345-7546 • FAX (814) 542-9977  
[www.bonneyforge.com](http://www.bonneyforge.com)  
e-mail: [bfsales@bonneyforge.com](mailto:bfsales@bonneyforge.com)



Accredited by  
the Dutch Council  
for Certification



**ISO 9001**

Certificate Number: 30116

---

Corporate Overview .....	2,3
How To Order.....	4-8
Gate Valves.....	9-14
Globe Valves .....	15-22
Check Valves .....	23-30
Cryogenic Valves .....	31-40
Integral Flanged Valves .....	41-54
Bellows Sealed Valves .....	55-60
Extended Body Gate Valves .....	61-64
Special Features .....	65-70
Technical Data .....	71-96



## **Bonney Forge—The Name You Trust for Forged Steel Valves**

Bonney Forge's forged steel valves and piping components have led the way for over eighty years in state-of-the-art design and dependable performance. It is qualities like these, combined with a customer-driven culture, that maintains Bonney Forge's leadership position within the industry for exceeding customer expectations. Our goal is to make Bonney Forge your number one world-wide choice for forged valves.

## **FORGING AHEAD OF THE REST**

### **The Industry's Widest Range of Forged Steel Valves**

Bonney Forge's forged steel valve range includes carbon steel, alloys, stainless steel, and exotic alloys. Valve types include gate, globe and check with ratings of 150 lbs. to 4500 lbs. There are also bellows sealed valves, cryogenic valves for temperatures to -321°F (-196°C) and valves with extended bodies. All available from one source!

### **Production Capabilities that Meet Your Demands**

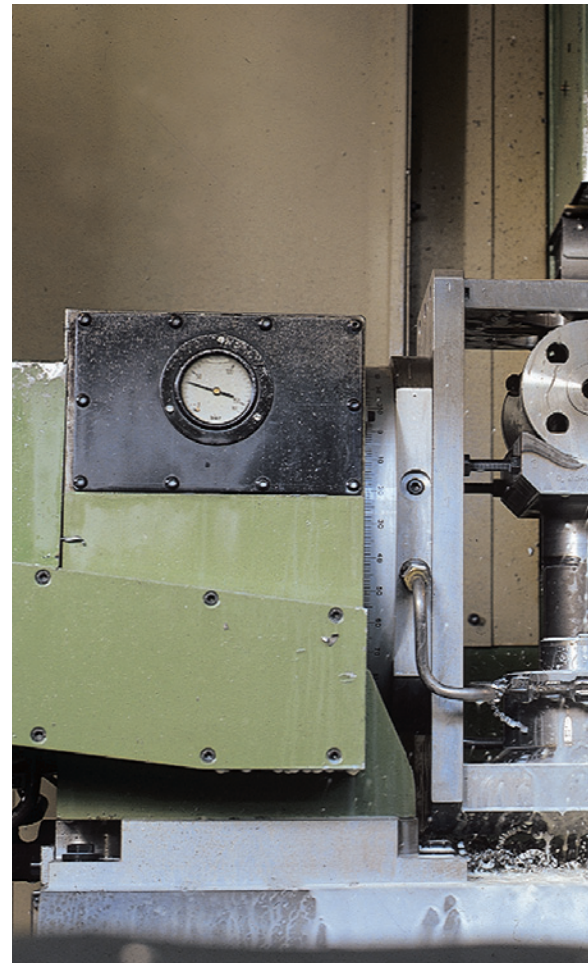
Bonney Forge is an integrated supplier with in-house forging, machining and assembly-test operations. Our forge shop contains a complete line of forging and support equipment, including a forge die shop, all located in one modern facility. Automated production lines and next generation machining systems



offer high volume capabilities with uncompromising quality.

### **Quality That You Can Count On**

Bonney Forge products are manufactured and tested in strict accordance to ASTM, ASME, ANSI, API and other applicable industry codes and specifications. Chemical and mechanical properties of all Bonney Forge products are fully traceable to the original forging lot and raw material heat. Our extensive quality control system carefully monitors our manufacturing processes to assure a product that performs to the highest industry standards. Quality assurance procedures include 100% hydrostatic



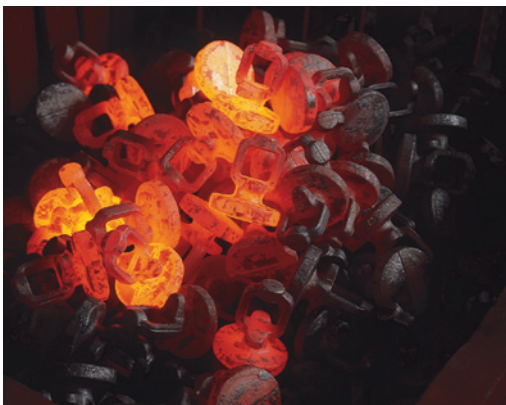
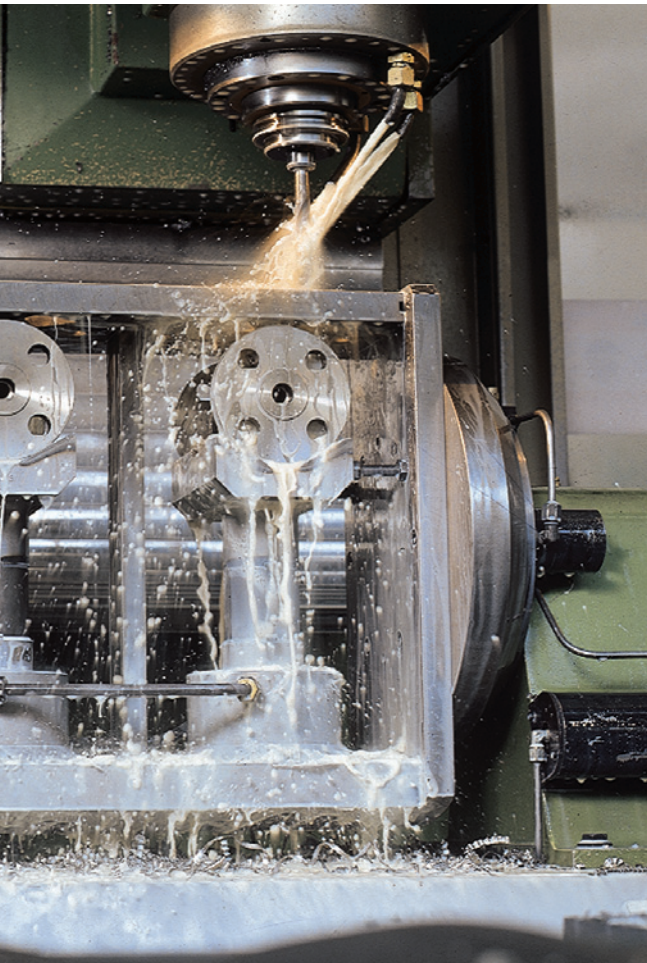
and pneumatic testing of all valves in full conformance to applicable API standards and industry codes. Bonney Forge has earned ISO 9001 designation through uncompromising, company-wide controls.

### **We're Here for You**

This catalog offers a vast amount of product information and specifications. In the event that you need additional information or technical assistance please call our friendly and knowledgeable customer service personnel at 1-800-231-0655 or visit our web site at [www.bonneyforge.com](http://www.bonneyforge.com).



**The Best Value -  
Price, Quality, Service  
All The Time.**





# How To ORDER/SPECIFY FORGED STEEL VALVES

BONNEY FORGE

1. Specify Valve Size
2. Select Valve Description from Section A
3. Select Valve Type desired from Section B
4. Indicate Body/Bonnet and Trim Material from Section C
5. Select End Configuration from Section D
6. Select Special Requirement(s) from Section E
7. Specify as a Suffix String, after Section D or E, any Body/Bonnet Material, Trim Material or Special Requirements not listed below

## SECTION A- VALVE DESCRIPTION

H	Full Port, 800#, Bolted Bonnet
HL	Standard Port, 800#, Bolted Bonnet
W	Full Port, 800#, Welded Bonnet
WL	Standard Port, 800#, Welded Bonnet
9H	Full Port, 1500#, Bolted Bonnet
9HL	Standard Port, 1500#, Bolted Bonnet
9HR	Full Port, 1500#, RTJ Bolted Bonnet
25HR	Full Port, 2500#, RTJ Bolted Bonnet
9W	Full Port, 1500#, Welded Bonnet
9WL	Standard Port, 1500#, Welded Bonnet
25W	Full Port, 2500#, Welded Bonnet
45W	Full Port, 4500#, Welded Bonnet
Y	Full Port, 800#, Y-Pattern Body, Welded Bonnet
9Y	Full Port, 1500#, Y-Pattern Body, Welded Bonnet
1690Y	Full Port, 1690#, Y-Pattern Body, Welded Bonnet
25Y	Full Port, 2500#, Y-Pattern Body, Welded Bonnet
2680Y	Full Port, 2680#, Y-Pattern Body, Welded Bonnet
45Y	Full Port, 4500#, Y-Pattern Body, Welded Bonnet
1	150# Integral Flange, Full Port, Bolted Bonnet
3	300# Integral Flange, Full Port, Bolted Bonnet
6	600# Integral Flange, Full Port, Bolted Bonnet
15F	1500# Integral Flange, Full Port, Bolted Bonnet
25F	2500# Integral Flange, Full Port, Bolted Bonnet
L1	150# Integral Flange, Standard Port, Bolted Bonnet
L3	300# Integral Flange, Standard Port, Bolted Bonnet
L6	600# Integral Flange, Standard Port, Bolted Bonnet
C	Cryogenic, Full Port, 800#, Bolted Bonnet
CL	Cryogenic, Standard Port, 800#, Bolted Bonnet
CW	Cryogenic, Full Port, 800#, Welded Bonnet
CWL	Cryogenic, Standard Port, 800#, Welded Bonnet
9C	Cryogenic, Full Port, 1500#, Bolted Bonnet
9CL	Cryogenic, Standard Port, 1500#, Bolted Bonnet
9CW	Cryogenic, Full Port, 1500#, Welded Bonnet
9CWL	Cryogenic, Standard Port, 1500#, Welded Bonnet



# How To ORDER/SPECIFY FORGED STEEL VALVES

BONNEY FORGE

## SECTION A- VALVE DESCRIPTION (CONT.)

1C	Cryogenic, 150# Integral Flange, Full Port, Bolted Bonnet
1CL	Cryogenic, 150# Integral Flange, Standard Port, Bolted Bonnet
1CW	Cryogenic, 150# Integral Flange, Full Port, Welded Bonnet
1CWL	Cryogenic, 150# Integral Flange, Standard Port, Welded Bonnet
3C	Cryogenic, 300# Integral Flange, Full Port, Bolted Bonnet
3CL	Cryogenic, 300# Integral Flange, Standard Port, Bolted Bonnet
3CW	Cryogenic, 300# Integral Flange, Full Port, Welded Bonnet
3CWL	Cryogenic, 300# Integral Flange, Standard Port, Welded Bonnet
6C	Cryogenic, 600# Integral Flange, Full Port, Bolted Bonnet
6CL	Cryogenic, 600# Integral Flange, Standard Port, Bolted Bonnet
6CW	Cryogenic, 600# Integral Flange, Full Port, Welded Bonnet
6CWL	Cryogenic, 600# Integral Flange, Standard Port, Welded Bonnet
15CF	Cryogenic, 1500# Integral Flange, Full Port, Bolted Bonnet
15CWF	Cryogenic, 1500# Integral Flange, Full Port, Welded Bonnet
S	Bellows Sealed, Full Port, 800#, Bolted Bonnet
SL	Bellows Sealed, Standard Port, 800#, Bolted Bonnet
SHW	Bellows Sealed, Full Port, 800#, Welded Bonnet
SHWL	Bellows Sealed, Standard Port, 800#, Welded Bonnet
9S	Bellows Sealed, Full Port, 1500#, Bolted Bonnet
9SL	Bellows Sealed, Standard Port, 1500#, Bolted Bonnet
9SHW	Bellows Sealed, Full Port, 1500#, Welded Bonnet
9SHWL	Bellows Sealed, Standard Port, 1500#, Welded Bonnet
25SHW	Bellows Sealed, Full Port, 2500#, Welded Bonnet
1S	Bellows Sealed, 150# Integral Flange, Full Port, Bolted Bonnet
1SL	Bellows Sealed, 150# Integral Flange, Standard Port, Bolted Bonnet
1SHW	Bellows Sealed, 150# Integral Flange, Full Port, Welded Bonnet
1SHWL	Bellows Sealed, 150# Integral Flange, Standard Port, Welded Bonnet
3S	Bellows Sealed, 300# Integral Flange, Full Port, Bolted Bonnet
3SL	Bellows Sealed, 300# Integral Flange, Standard Port, Bolted Bonnet
3SHW	Bellows Sealed, 300# Integral Flange, Full Port, Welded Bonnet
3SHWL	Bellows Sealed, 300# Integral Flange, Standard Port, Welded Bonnet
6S	Bellows Sealed, 600# Integral Flange, Full Port, Bolted Bonnet
6SL	Bellows Sealed, 600# Integral Flange, Standard Port, Bolted Bonnet
6SHW	Bellows Sealed, 600# Integral Flange, Full Port, Welded Bonnet
6SHWL	Bellows Sealed, 600# Integral Flange, Standard Port, Welded Bonnet
15SF	Bellows Sealed, 1500# Integral Flange, Full Port, Bolted Bonnet
15SHWF	Bellows Sealed, 1500# Integral Flange, Full Port, Welded Bonnet
VOLL	<b>Valvolet</b> ® Extended Body, Lip End, Standard Port, 800#, Welded Bonnet
VOL	<b>Valvolet</b> ® Extended Body, O'Let End, Standard Port, 800#, Welded Bonnet
VLL	<b>Valvolet</b> ® Extended Body, Lip End, Standard Port, 800#, Bolted Bonnet
VL	<b>Valvolet</b> ® Extended Body, O'Let End, Standard Port, 800#, Bolted Bonnet



# How To ORDER/SPECIFY FORGED STEEL VALVES (CONT.)

BONNEY FORGE

## SECTION A- VALVE DESCRIPTION (CONT.)

9VOLL	<b>Valvolet</b> ® Extended Body, Lip End, Standard Port, 1500#, Welded Bonnet
9VOL	<b>Valvolet</b> ® Extended Body, O'Let End, Standard Port, 1500#, Welded Bonnet
9VLL	<b>Valvolet</b> ® Extended Body, Lip End, Standard Port, 1500#, Bolted Bonnet
9VL	<b>Valvolet</b> ® Extended Body, O'Let End, Standard Port, 1500#, Bolted Bonnet
MFL	Extended Body, Standard Port, 800#, Welded Bonnet
ML	Extended Body, Standard Port, 800#, Bolted Bonnet
9MFL	Extended Body, Standard Port, 1500#, Welded Bonnet
9ML	Extended Body, Standard Port, 1500#, Bolted Bonnet

## SECTION B- VALVE TYPE

1	Gate
3	Globe
3R	Globe with renewable seats
4	Piston Check
4R	Piston Check with renewable seats
5	Ball Check
5R	Ball Check with renewable seats
6	Swing Check

## SECTION C- BODY/BONNET, TRIM MATERIAL

1	A 105, Trim F6/HF, (API Trim #8)
2	A 105, Trim F6/FHF, (API Trim #5)
3	A 105, Trim F316/HF, (API Trim #12)
3F	A 105, Trim F316/FHF
4	A 105, Trim Monel, (API Trim #9) <sup>1</sup>
4S	A 105, Trim Monel 500/HF (API Trim #11) <sup>2</sup>
4F	A 105, Trim Monel FHF
5	F22, Trim F6/HF, (API Trim #8)
5F	F22, Trim F6/FHF, (API Trim #5)
6	F5, Trim F6/HF, (API Trim #8)
6F	F5, Trim F6/FHF, (API Trim #5)
7	F304, Trim F304/HF
7F	F304, Trim F304/FHF
7L	F304L, Trim F304/HF
7LF	F304L, Trim F304/FHF
7H	F304H, Trim F304/HF
7HF	F304H, Trim F304/FHF
8	F316, Trim F316/HF, (API Trim #12)
8F	F316, Trim F316/FHF
8L	F316L, Trim F316/HF, (API Trim #12)
8LF	F316L, Trim F316/FHF
8H	F316H, Trim F316/HF, (API Trim #12)
8HF	F316H, Trim F316/FHF

1 - Gate, Swing Check provided with Monel 400 Wedge/Disc and Monel 500 Seat/Stem.  
 2 - Offered for Globe, Ball, Piston Check only.





BONNEY FORGE

# How To ORDER/SPECIFY FORGED STEEL VALVES

## SECTION C- BODY/BONNET, TRIM MATERIAL (CONT.)

9	F11, Trim F6/HF, (API Trim #8)
9F	F11, Trim F6/FHF, (API Trim #5)
A	F9, Trim F6/HF, (API Trim #8)
AF	F9, Trim F6/FHF, (API Trim #5)
LS	LF2, Trim F6/HF, (API Trim #8)
LF	LF2, Trim F6/FHF, (API Trim #5)
L3S	LF2, Trim F316/HF, (API Trim #12)
L3F	LF2, Trim F316/FHF
0	Other, to be specified

For an item not listed above, a figure number can be determined from the following.

Body/Bonnet Material	First Code Number/Letter	Trim Material	Second Code Letter
A105	1	F6/HF	S
LF2	L	F6/FHF	F
<hr/>			
F5	6	F304/HF	7
F9	A	F304/FHF	7F
F91	K	F316/HF	3
F11	9	F316/FHF	3F
F22	5	F317/HF	B
<hr/>			
F304, 304L, 304H	7, 7L, 7H	F317/FHF	BF
F316, 316L, 316H	8, 8L, 8H	F321/HF	E
317, 317L	B, BL	F321/FHF	EF
F321, 321H	E, EH	F347/HF	G
F347, 347H	G, GH	F347/FHF	GF
F44	J	F44	J
<hr/>			
Alloy 20	A2	F44/HF	JS
Monel 400	M4	F44/FHF	JF
Monel K-500	M5	F51	D
Hastelloy B	HB	F51/HF	DS
Hastelloy C-276	HC	F51/FHF	DF
Incoloy 800	I800	Alloy 20	A2
Incoloy 825	I825	Alloy 20/HF	A2S
<hr/>			
F51	D	Alloy 20/FHF	A2F
		Monel 400	M4
		Monel 400/HF	M4S
		Monel 400/FHF	M4F
		Monel 500	M5
		Monel 500/HF	M5S
		Monel 500/FHF	M5F



# How To ORDER/SPECIFY FORGED STEEL VALVES (CONT.)

BONNEY FORGE

## SECTION C- BODY/BONNET, TRIM MATERIAL (CONT.)

Body/Bonnet Material	First Code Number/Letter	Trim Material	Second Code Letter
Titanium	T	Hastelloy B	HB
		Hastelloy B/HF	HBS
		Hastelloy B/FHF	HBF
		Hastelloy C	HC
		Hastelloy C/HF	HCS
		Hastelloy C/FHF	HCF
		Incoloy 800/HF	I
		Incoloy 800/FHF	IF
		Incoloy 825/HF	N
		Incoloy 825/FHF	NF
		Titanium/HF	T
		Titanium/FHF	TF

Examples: 1" Standard Port, 800#, Bolted Bonnet, Gate, A 105, Alloy 20/FHF Trim, Threaded Ends **Fig. No. 1" HL-11A2F-T**

3/4" Standard Port, 1500#, Welded Bonnet, Globe, F5, F316/HF Trim, Socket Weld Ends **Fig. No. 3/4" 9WL-363-SW**

## SECTION D- END CONFIGURATION

- T = Threaded
- SW = Socket Weld
- SW/T = Socket Weld Inlet x Threaded Outlet
- T/SW = Thread Inlet x Socket Weld Outlet
- BW = Butt Weld
- P = Plain End
- RF = Flanged, Raised Face
- RTJ = Flanged, Ring Type Joint
- FF = Flat Face Finish
- SF = Smooth Face Finish
- N = Nipples, Customer Specify

## SECTION E- SPECIAL REQUIREMENTS

- ASME Section I
- NACE
- Oxygen Service
- Hydrogen Service
- PMI
- Special Packing/Gaskets
- Other – Customer Specify

---

Overview .....10

Bolted Bonnet Gate- 800 lb. &  
1500 lb. valves .....11

Bolted Bonnet Gate- 1500 lb. &  
2500 lb. valves .....12

Welded Bonnet Gate- 800 lb. &  
1500 lb. valves .....13

Welded Bonnet Gate- 2500 lb. &  
4500 lb. valves .....14

---

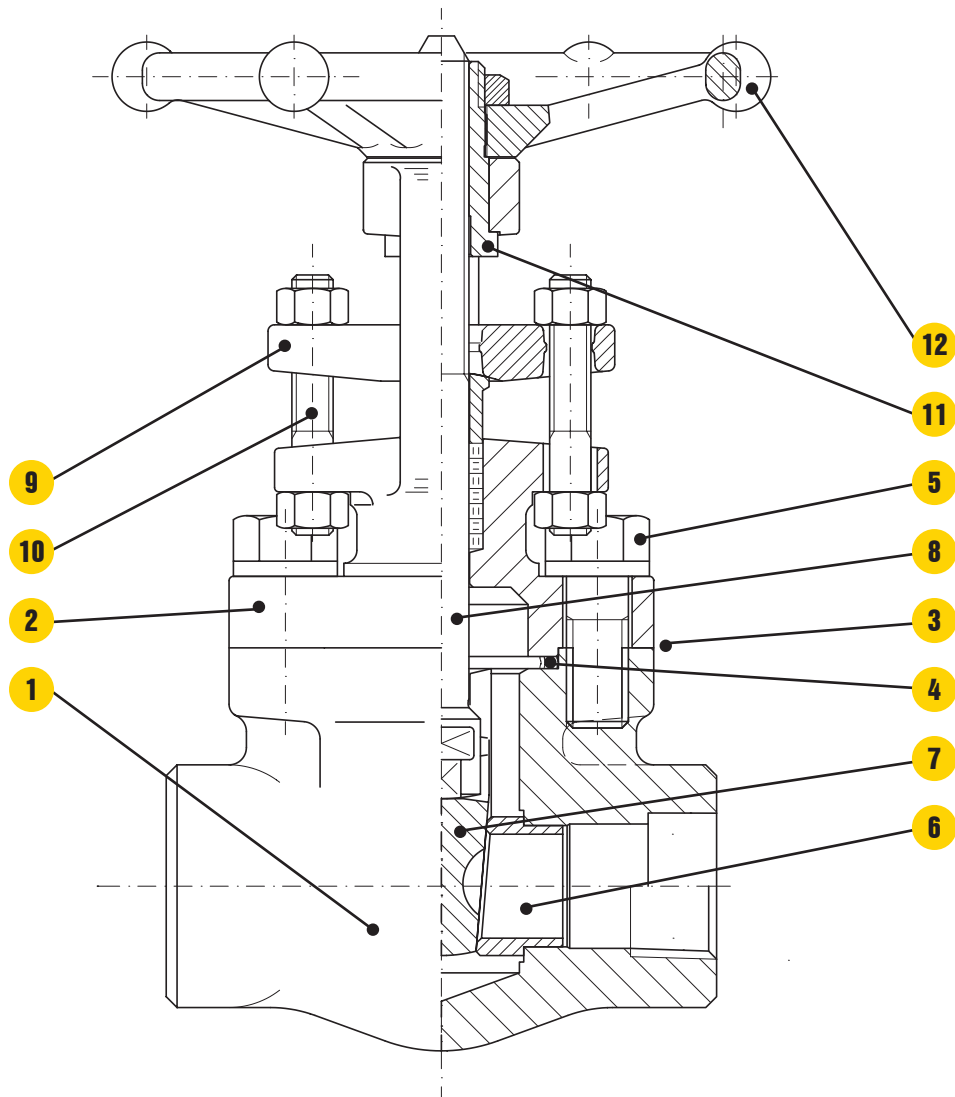
# GATE VALVES

---



## GATE VALVES

Forged steel, outside screw and yoke (OS&Y), rising stem, non-rising handwheel. Full or standard port. Bolted or welded bonnet joint. Integral backseat.



- 1. BODY.** The body is forged steel and designed to the basic dimensional requirements of the applicable specifications such as API 602 and ASME B16.34. The body is available in both the full or standard port design.
- 2. BONNET.** The bonnet is forged steel, has an integral backseat and incorporates the stuffing box, which has dimensions per the applicable specifications such as API 602.
- 3. BODY-BONNET JOINT.** Two different bonnet joint designs are available. These are either the bolted bonnet or the threaded and seal welded type.
- 4. GASKET.** The bolted bonnet joint design valve uses a contained, controlled compression, spiral wound type gasket.
- 5. BONNET BOLTING.** The bonnet bolting is manufactured of alloy steel in accordance with the requirements of the applicable specifications such as API 602 and ASME B16.34.
- 6. SEAT RINGS.** The seat rings are steel and make up part of the valve trim. They are pressed into the valve body and wedged into place, forming a seal with the body. The seating surfaces are ground and lapped.
- 7. WEDGE.** The wedge, which is solid design, is forged or investment cast steel and is part of the valve trim. The seating surfaces are ground and lapped.
- 8. STEM.** The stem is forged steel and part of the valve trim. It contains an integral back seat shoulder, which mates with the integral backseat of the bonnet. The stem is designed to the basic dimensional requirements of the applicable specifications such as API 602.
- 9. GLAND AND FLANGE.** The gland, gland flange assembly utilizes a separate, two piece design. This self aligning design allows the flange to be unevenly tightened while the gland maintains its parallel alignment with the stem and stuffing box.
- 10. GLAND BOLTS AND NUTS.** The steel/stainless steel gland bolt and nut assembly is a stud, double nut arrangement. This design allows complete removal from the valve when service is required. The use of industry standard thread full length studs and nuts also allows easy replacement should these items be lost or in need of replacement.
- 11. YOKE SLEEVE.** The yoke sleeve is of forged stainless steel material having a high melting point and is resistant to wear and corrosion.
- 12. HANDWHEEL.** The handwheel is forged carbon steel of an open spoke design. This robust construction along with appropriate sizing allows for ease of operation.

# B<sup>®</sup> GATE VALVES- BOLTED BONNET- FULL & STANDARD PORT

BONNEY FORGE

**800 LB.**

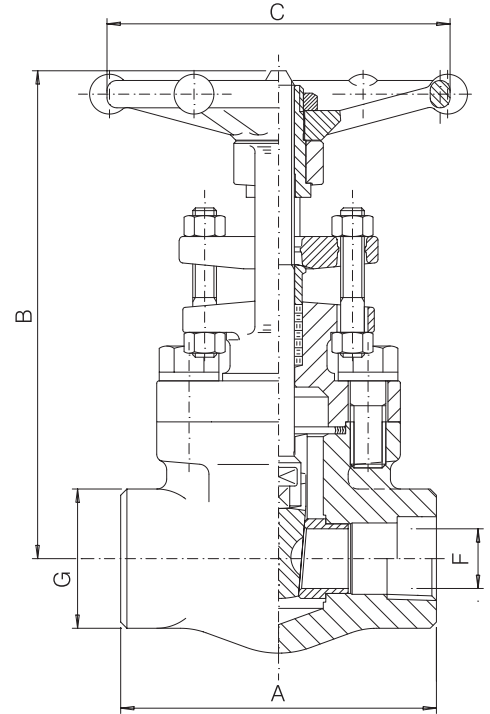
**1500 LB.**

**Design construction:**

API 602 - ASME B16.34 - BS 5352  
 Testing according to API 598  
 Marking MSS SP25  
 Outside Screw and Yoke (OS&Y)  
 Self aligning two piece packing gland  
 Spiral-wound gasket  
 Integral backseat  
 Socket Weld Ends to ASME B16.11  
 Screwed Ends (NPT) to ASME B1.20.1  
 Butt Welding Ends to ASME B16.25

**Ratings:**

- carbon steel class 800 1975 psig @ 100°F  
 138 bar + 38°C  
 - carbon steel class 1500 3705 psig @ 100°F  
 255 bar + 38°C



		FULL PORT – FIG. H 10								
SIZE	inch	1/4	3/8	1/2	3/4	1	1 1/4	1 1/2	2	
	mm	6	10	15	20	25	32	40	50	
A	inch	3.15	3.15	3.54	4.33	5	5	5.28	6	
	mm	80	80	90	110	127	127	134	152	
B open	inch	5.98	5.98	6.22	7.72	8.86	10.04	11.42	14.09	
	mm	152	152	158	196	225	255	290	358	
C	inch	3.46	3.46	3.46	3.82	5.43	5.43	5.43	6.77	
	mm	88	88	88	97	138	138	138	172	
F	inch	.31	.38	.55	.71	.94	1.18	1.48	1.83	
	mm	8	9.6	14	18	24	30	36.5	46.5	
G	inch	1.26	1.26	1.50	1.89	2.20	2.52	3.07	3.35	
	mm	32	32	38	48	56	64	78	85	
Weight	lb.	4.5	4.5	5	8.25	13	16.25	18.3	27.5	
	kg	2.1	2.1	2.3	3.7	5.9	7.4	8.3	12.5	
PACKING		BH2	BH2	BH2	BH4	BH5	BH6	BY5	BH8	
GASKET		G2	G2	G2	G3	G4	G6	G11	G10	

		STANDARD PORT – FIG. HL 10						
SIZE	inch	1/2	3/4	1	1 1/2	2	3	
	mm	15	20	25	40	50	80	
A	inch	3.15	3.54	4.33	5	5.28	8.86	
	mm	80	90	110	127	134	225	
B open	inch	5.98	6.22	7.72	10.04	11.42	12.35	
	mm	152	158	196	255	290	313	
C	inch	3.46	3.46	3.82	5.43	5.43	6.77	
	mm	88	88	97	138	138	172	
F	inch	.38	.55	.71	1.18	1.48	1.97	
	mm	9.6	14	18	30	36.5	50	
G	inch	1.26	1.5	1.89	2.52	3.07	4.65	
	mm	32	38	48	64	78	118	
Weight	lb.	4.25	5	7.75	16	16.75	38	
	kg	1.9	2.3	3.6	7.3	7.6	17.2	
PACKING		BH2	BH2	BH4	BH6	BY5	BH8	
GASKET		G2	G2	G3	G6	G11	G10	

		FULL PORT – FIG. 9H 10								
SIZE	inch	1/4	3/8	1/2	3/4	1	1 1/4	1 1/2	2	
	mm	6	10	15	20	25	32	40	50	
A	inch	3.54	3.54	4.33	5	5	5	5	8.27	
	mm	90	90	110	127	127	127	127	210	
B open	inch	6.02	6.02	7.48	8.66	9.84	11.10	11.42	13.58	
	mm	153	153	190	220	250	282	290	345	
C	inch	3.46	3.46	3.82	5.43	5.43	5.43	5.43	6.77	
	mm	88	88	97	138	138	138	138	172	
F	inch	.31	.38	.55	.71	.94	1.18	1.48	1.89	
	mm	8	9.6	14	18	24	30	36.5	48	
G	inch	1.50	1.50	1.89	2.20	2.52	3.07	3.07	3.35	
	mm	38	38	48	56	64	78	78	85	
Weight	lb.	5.25	5.25	9	13.75	17.5	23	24.25	44	
	kg	2.4	2.4	4.1	6.2	8	10.5	11	20	
PACKING		BH3	BH3	BH5	BH6	2B4	BY7	2B5	9B8	
GASKET		G1	G1	G2	G3	G4	G5	G7	G8	

		STANDARD PORT – FIG. 9HL 10					
SIZE	inch	1/2	3/4	1	1 1/2	2	
	mm	15	20	25	40	50	
A	inch	3.54	4.33	5	5	8.27	
	mm	90	110	127	127	210	
B open	inch	5.98	7.48	8.66	11.10	13.58	
	mm	152	190	220	282	345	
C	inch	3.46	3.82	5.43	5.43	5.43	
	mm	88	97	138	138	138	
F	inch	.38	.55	.71	1.18	1.48	
	mm	9.6	14	18	30	36.5	
G	inch	1.5	1.89	2.20	3.07	3.35	
	mm	38	48	56	78	85	
Weight	lb.	5.25	8.5	13.25	23.75	45.25	
	kg	2.4	3.9	6.1	10.8	20.5	
PACKING		BH3	BH5	BH6	2B5	BH8	
GASKET		G1	G2	G3	G5	G7	

# B<sup>®</sup> GATE VALVES- BOLTED BONNET- FULL PORT

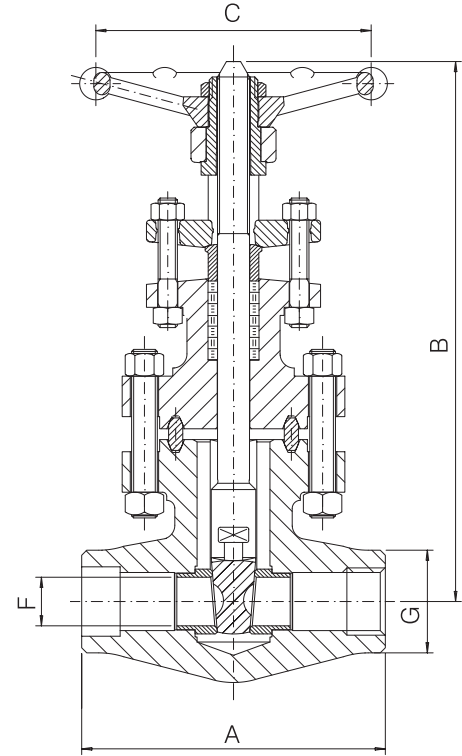
BONNEY FORGE

**1500 LB.**

**2500 LB.**

**Design construction:**

- ASME B16.34 - BS 5352
- Outside Screw and Yoke (OS&Y)
- Self aligning two piece packing gland
- Integral backseat
- Oval ring joint gasket
- Socket Weld Ends to ASME B16.11
- Screwed Ends (NPT) to ASME B1.20.1
- Butt Welding Ends to ASME B16.25
- Ratings standard class:
- carbon steel class 1500 3705 psig @ 100°F  
255 bar + 38°C
- carbon steel class 2500 6170 psig @ 100°F  
425 bar + 38°C



		FULL PORT – FIG. 9HR 10					
SIZE	inch	1/2	3/4	1	1 1/4	1 1/2	2
	mm	15	20	25	32	40	50
A	inch	4.33	5.91	5.91	8.27	8.27	9.06
	mm	110	150	150	210	210	230
B open	inch	9.17	11.38	11.54	14.06	14.41	17.76
	mm	233	289	293	357	366	451
C	inch	5.43	5.43	5.43	6.77	6.77	9.21
	mm	138	138	138	172	172	234
F	inch	.55	.71	.94	1.16	1.44	1.89
	mm	14	18	24	29.5	36.6	48
G	inch	1.5	2.17	2.17	2.95	2.95	3.62
	mm	38	55	55	75	75	92
Weight	lb.	11	20.25	20.25	44	44	79.25
	kg	5	9.2	9.2	20	20	36
PACKING		2B3	2B4	2B4	2B5	2B5	9B8
GASKET		R12	R17	R17	R20	R20	R24

		FULL PORT – FIG. 25HR 10					
SIZE	inch	1/2	3/4	1	1 1/2	2	
	mm	15	20	25	40	50	
A	inch	5.91	5.91	8.27	9.06	9.06	
	mm	150	150	210	230	230	
B open	inch	11.10	11.3	13.70	15.98	17.20	
	mm	282	287	348	406	437	
C	inch	5.43	5.43	6.77	9.21	9.21	
	mm	138	138	172	234	234	
F	inch	.45	.59	.77	1.10	1.38	
	mm	11.5	15	19.5	28	35	
G	inch	2.17	2.17	2.95	3.62	3.62	
	mm	55	55	75	92	92	
Weight	lb.	22	22	48.5	81.5	79.25	
	kg	10	10	22	37	36	
PACKING		2B4	BH8	BH8	9B8	25B8	
GASKET		R16	R16	R17	R20	R22	

Materials and trim specifications Page 91

# B<sup>®</sup> GATE VALVES- WELDED BONNET- FULL & STANDARD PORT

BONNEY FORGE

**800 LB.**

**1500 LB.**

**Design construction:**

API 602 - ASME B16.34 - BS 5352

Testing according to API 598

Marking MSS SP25

Outside Screw and Yoke (OS&Y)

Self aligning two piece packing gland

Integral backseat

Body Bonnet Weld to ASME IX

Socket Weld Ends to ASME B16.11

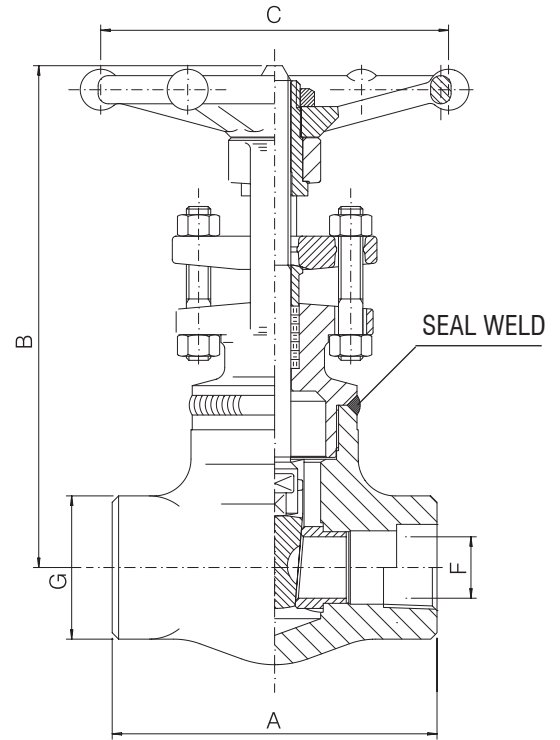
Screwed Ends (NPT) to ASME B1.20.1

Butt Welding Ends to ASME B16.25

**Ratings:**

- carbon steel class 800 1975 psig @ 100°F  
138 bar + 38°C

- carbon steel class 1500 3705 psig @ 100°F  
255 bar + 38°C



800 LB.									
FULL PORT – FIG. W 10									
SIZE	inch mm	1/4 6	3/8 10	1/2 15	3/4 20	1 25	1 1/4 32	1 1/2 40	2 50
A	inch mm	3.15 80	3.15 80	3.54 90	4.33 110	5 127	5 127	5 127	8.27 210
B open	inch mm	5.98 152	5.98 152	6.22 158	7.72 196	8.86 225	10.04 255	11.42 290	14.09 358
C	inch mm	3.46 88	3.46 88	3.46 88	3.82 97	5.43 138	5.43 138	5.43 138	6.77 172
F	inch mm	.31 8	.38 9.6	.55 14	.71 18	.94 24	1.18 30	1.44 36.6	1.89 48
G	inch mm	1.26 32	1.26 32	1.5 38	1.89 48	2.20 56	2.52 64	3.07 78	3.35 85
Weight	lb. kg	3.25 1.5	3.25 1.5	4.25 2	7.75 3.5	11 5	14.25 6.5	20.75 9.5	35.25 16
PACKING		BH2	BH2	BH2	BH4	BH5	BH6	BY5	BH8

800 LB.							
STANDARD PORT – FIG. WL 10							
SIZE	inch mm	1/2 15	3/4 20	1 25	1 1/2 40	2 50	
A	inch mm	3.15 80	3.54 90	4.33 110	5 127	5 127	
B open	inch mm	5.98 152	6.22 158	7.72 196	10.04 255	11.42 290	
C	inch mm	3.46 88	3.46 88	3.82 97	5.43 138	5.43 138	
F	inch mm	.38 9.6	.55 14	.71 18	1.18 30	1.44 36.6	
G	inch mm	1.26 32	1.5 38	1.89 48	2.52 64	3.07 78	
Weight	lb. kg	3.5 1.6	3.75 1.8	6.25 2.9	13.25 6.1	18 8.2	
PACKING		BH2	BH2	BH4	BH6	BY5	

1500 LB.									
FULL PORT – FIG. 9W 10									
SIZE	inch mm	1/4 6	3/8 10	1/2 15	3/4 20	1 25	1 1/4 32	1 1/2 40	2 50
A	inch mm	3.54 90	3.54 90	4.33 110	5 127	5 127	5 127	5 127	8.27 210
B open	inch mm	6.02 153	6.02 190	7.48 220	8.66 250	9.84 282	11.10 290	11.42 345	13.58 345
C	inch mm	3.46 88	3.46 88	3.82 97	5.43 138	5.43 138	5.43 138	5.43 138	6.77 172
F	inch mm	.31 8	.38 9.6	.55 14	.71 18	.94 24	1.18 30	1.44 36.6	1.89 48
G	inch mm	1.5 38	1.5 38	1.89 48	2.20 56	2.52 64	3.07 78	3.07 78	3.35 85
Weight	lb. kg	4.25 2.0	4.25 2.0	7.5 3.4	11.25 5.1	15.25 7	22 10	23 10.5	41.75 19
PACKING		BH3	BH3	BH5	BH6	2B4	BY7	2B5	2B8

1500 LB.							
STANDARD PORT – FIG. 9WL 10							
SIZE	inch mm	1/2 15	3/4 20	1 25	1 1/2 40	2 50	
A	inch mm	3.54 90	4.33 110	5 127	5 127	8.27 210	
B open	inch mm	6.02 153	7.48 190	8.66 220	11.10 282	13.58 345	
C	inch mm	3.46 88	3.82 97	5.43 138	5.43 138	5.43 138	
F	inch mm	.38 9.6	.55 14	.71 18	1.18 30	1.44 36.6	
G	inch mm	1.5 38	1.89 48	2.20 56	3.07 78	3.35 85	
Weight	lb. kg	4.25 2	7.25 3.3	11.5 5.3	21.5 9.8	40.25 18.3	
PACKING		BH3	BH5	BH6	2B5	BH8	

# B<sup>®</sup> GATE VALVES- WELDED BONNET- FULL PORT

BONNEY FORGE

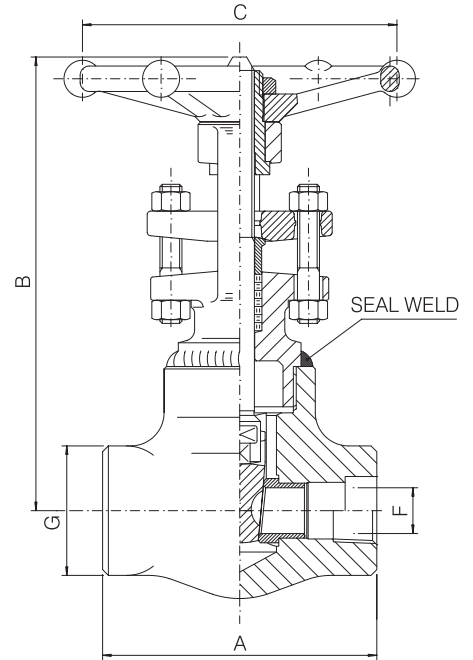
**2500 LB.**

**4500 LB.**

**Design construction:**

- ASME B16.34
- Outside Screw and Yoke (OS&Y)
- Self aligning two piece packing gland
- Integral backseat
- Body Bonnet Weld to ASME IX
- Socket Weld Ends to ASME B16.11
- Screwed Ends (NPT) to ASME B1.20.1
- Butt Welding Ends to ASME B16.25
- Ratings standard class:

- carbon steel class 2500 6170 psig @ 100°F  
425 bar + 38°C
- carbon steel class 4500 11100 psig @ 100°F  
765 bar + 38°C



		FULL PORT – FIG. 25W 10								
SIZE	inch	1/4	3/8	1/2	3/4	1	1 1/4	1 1/2	2	
	mm	6	10	15	20	25	32	40	50	
A	inch	4.33	4.33	5	5	5	5	8.27	9.06	
	mm	110	110	127	127	127	127	210	230	
B open	inch	7.20	7.20	8.43	9.61	10.87	10.87	13.27	15.91	
	mm	183	183	214	244	276	276	337	404	
C	inch	3.82	3.82	5.43	5.43	5.43	5.43	6.77	9.21	
	mm	97	97	138	138	138	138	172	234	
F	inch	.31	.31	.45	.59	.77	.98	1.10	1.38	
	mm	8	8	11.5	15	19.5	25	28	35	
G	inch	1.89	1.89	2.20	2.52	3.07	3.07	3.35	3.74	
	mm	48	48	56	64	78	78	85	95	
Weight	lb.	11.25	11.5	11.75	15.75	21.5	21.5	43	63.75	
	kg	5.2	5.3	5.4	7.2	9.8	9.8	19.5	29	
PACKING		2B4	2B4	2B4	BH8	BH8	2B5	2B5	2B8	

		FULL PORT – FIG. 45W 10				
SIZE	inch	1/2	3/4	1	1 1/2	2
	mm	15	20	25	40	50
A	inch	5	5	9.06	9.06	17.76
	mm	127	127	230	230	451
B open	inch	10.39	10.83	14.37	15.75	17.56
	mm	264	275	365	400	446
C	inch	5.43	6.61	9.21	12.60	12.60
	mm	138	168	234	320	320
F	inch	.30	.45	.59	1.02	1.02
	mm	7.5	11.5	15	26	26
G	inch	3.07	3.07	3.74	3.74	4.72
	mm	78	78	95	95	120
Weight	lb.	22	26.5	40.8	59.5	81.5
	kg	10	12	18.5	27	37
PACKING		2B3	BH6	BY7	2B8	4B8

Available with Socket Weld or Butt-Weld Ends Only.  
Materials and trim specifications Page 91



---

Overview .....	16
Bolted Bonnet- 800 lb. & 1500 lb. valves .....	17
Bolted Bonnet- 1500 lb. & 2500 lb. valves .....	18
Welded Bonnet- 800 lb. & 1500 lb. valves .....	19
Welded Bonnet- 2500 lb. & 4500 lb. valves .....	20
Welded Bonnet (Y type)- 800 lb. & 1690 lb. valves .....	21
Welded Bonnet (Y type)- 2680 lb. & 4500 lb. valves .....	22

---

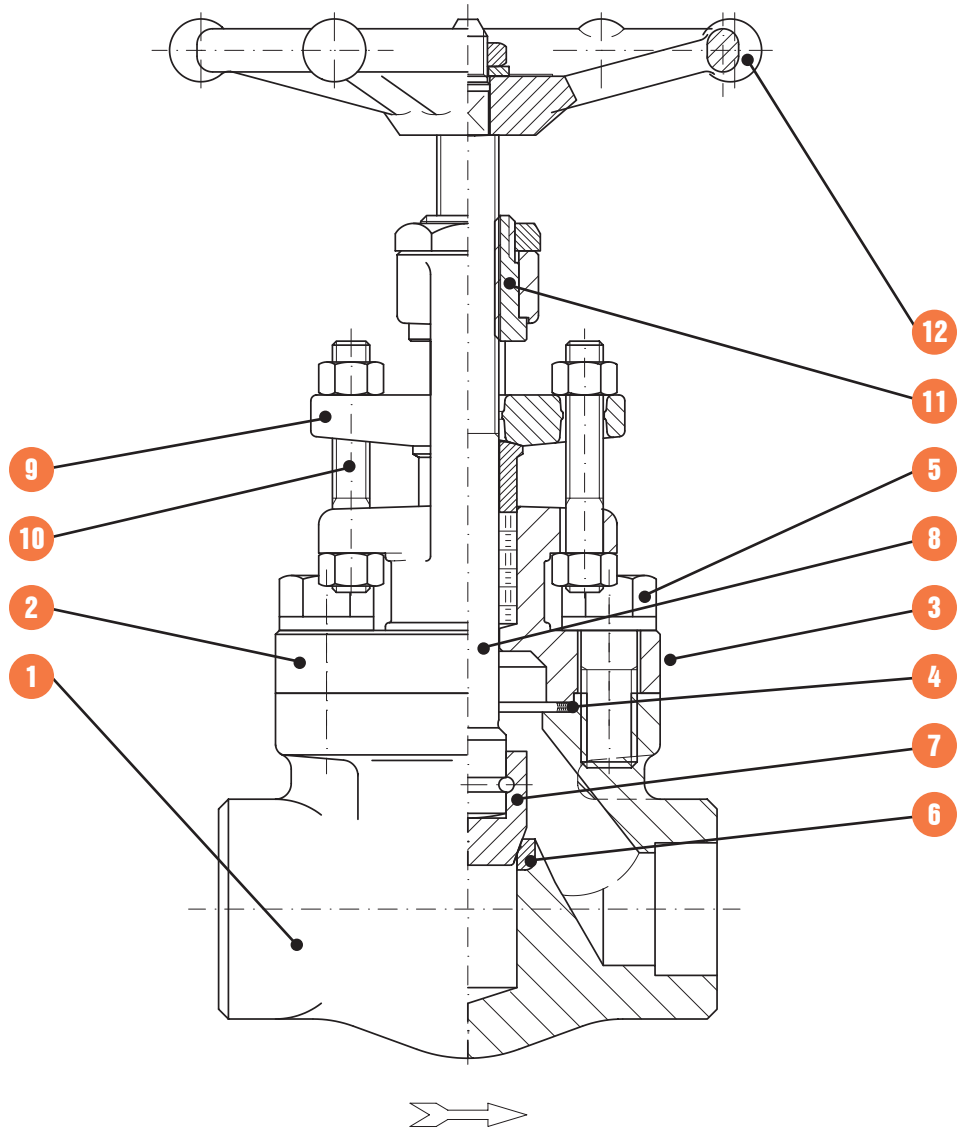
# GLOBE VALVES

---



## GLOBE VALVES

Forged steel, outside screw and yoke (OS&Y), rotating rising stem, rising handwheel. Full or standard port. Bolted or welded bonnet joint. T-Pattern or Y-Pattern. Integral back-seat. Integral body seat.



- 1. BODY.** The body is forged steel and designed to the basic dimensional requirements of the applicable specifications such as API 602 and ASME B16.34. The body is available in both the full or standard port design. It is also available in either T-pattern or Y-pattern configuration.
- 2. BONNET.** The bonnet is forged steel, has an integral backseat and incorporates the stuffing box, which has dimensions per the applicable specifications such as API 602.
- 3. BODY-BONNET JOINT.** Two different bonnet joint designs are available. These are either the bolted bonnet or the threaded and seal welded type.
- 4. GASKET.** The bolted bonnet joint design valve uses a contained, controlled compression, spiral wound type gasket.
- 5. BONNET BOLTING.** The bonnet bolting is manufactured of alloy steel in accordance with the requirements of the applicable specifications such as API 602 and ASME B16.34.
- 6. SEAT.** The body seat is an integral weld overlay and is part of the valve trim.
- 7. DISC.** The disc is forged steel and is part of the valve trim. The disc seating surface is of the tapered or plug type design. The disc is attached to the stem using a loose or swivel disc arrangement.
- 8. STEM.** The stem is forged steel and part of the valve trim. It contains an integral back seat shoulder, which mates with the integral backseat of the bonnet. The stem is designed to the basic dimensional requirements of the applicable specifications such as API 602.
- 9. GLAND AND FLANGE.** The gland, gland flange assembly utilizes a separate, two piece design. This self aligning design allows the flange to be unevenly tightened while the gland maintains its parallel alignment with the stem and stuffing box.
- 10. GLAND BOLTS AND NUTS.** The steel/stainless steel gland bolt and nut assembly is a stud, double nut arrangement. This design allows complete removal from the valve when service is required. The use of industry standard thread full length studs and nuts also allows easy replacement should these items be lost or in need of replacement.
- 11. YOKE SLEEVE.** The yoke sleeve is of forged stainless steel material having a high melting point and is resistant to wear and corrosion.
- 12. HANDWHEEL.** The handwheel is forged carbon steel of an open spoke design. This robust construction along with appropriate sizing allows for ease of operation.

# B<sup>®</sup> GLOBE VALVES- BOLTED BONNET- FULL & STANDARD PORT

BONNEY FORGE

800 LB.

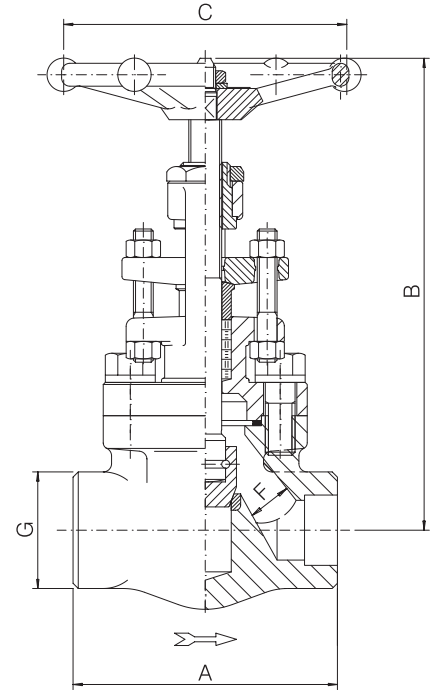
1500 LB.

**Design construction:**

- ASME B16.34 - BS 5352
- Testing according to API 598
- Marking MSS SP25
- Outside Screw and Yoke (OS&Y)
- Self aligning two piece packing gland
- Spiral-wound gasket
- Integral backseat
- Loose solid disc
- Socket Weld Ends to ASME B16.11
- Screwed Ends (NPT) to ASME B1.20.1
- Butt Welding Ends to ASME B16.25

**Ratings:**

- carbon steel class 800 1975 psig @ 100°F  
138 bar + 38°C
- carbon steel class 1500 3705 psig @ 100°F  
255 bar + 38°C



		FULL PORT – FIG. H 30								
SIZE	inch	1/4	3/8	1/2	3/4	1	1 1/4	1 1/2	2	
	mm	6	10	15	20	25	32	40	50	
A	inch	3.15	3.15	3.54	4.33	5	6	7.09	8.27	
	mm	80	80	90	110	127	150	180	210	
B open	inch	6.54	6.54	6.73	8.39	9.72	10.16	11.81	14.76	
	mm	166	166	171	213	247	258	300	375	
C	inch	3.46	3.46	3.46	3.82	5.43	5.43	6.77	6.77	
	mm	88	88	88	97	138	138	172	172	
F	inch	.28	.35	.51	.69	.89	1.16	1.38	1.79	
	mm	7	9	13	17.5	22.5	29.5	35	45.5	
G	inch	1.26	1.26	1.5	1.89	2.20	2.52	3.07	3.35	
	mm	32	32	38	48	56	64	78	85	
Weight	lb.	4.75	4.75	5.25	8.25	13.25	16.75	27.5	43.25	
	kg	2.2	2.2	2.4	3.8	6.1	7.6	12.5	19.6	
PACKING		BH3	BH3	BH3	BH5	BY5	BY5	BY7	BH8	
GASKET		G2	G2	G2	G3	G4	G6	G7	G9	

		STANDARD PORT – FIG. HL 30					
SIZE	inch	1/2	3/4	1	1 1/2	2	
	mm	15	20	25	40	50	
A	inch	3.15	3.54	4.33	6	7.09	
	mm	80	90	110	150	180	
B open	inch	6.54	6.73	8.39	10.16	11.81	
	mm	166	171	213	258	300	
C	inch	3.46	3.46	3.82	5.43	6.77	
	mm	88	88	97	138	172	
F	inch	.35	.51	.69	1.16	1.38	
	mm	9	13	17.5	29.5	35	
G	inch	1.26	1.5	1.89	2.52	3.07	
	mm	32	38	48	64	78	
Weight	lb.	4.5	5	8	16.25	26.25	
	kg	2.1	2.3	3.7	7.4	11.9	
PACKING		BH3	BH3	BH5	BY5	BY7	
GASKET		G2	G2	G3	G6	G7	

		FULL PORT – FIG. 9H 30								
SIZE	inch	1/4	3/8	1/2	3/4	1	1 1/4	1 1/2	2	
	mm	6	10	15	20	25	32	40	50	
A	inch	3.54	3.54	4.33	5	6	7.09	8.27	9.06	
	mm	90	90	110	127	150	180	210	230	
B open	inch	6.54	6.54	8.27	9.72	10.08	11.81	14.76	16.85	
	mm	166	166	210	247	256	300	375	428	
C	inch	3.46	3.46	3.82	5.43	5.43	6.77	6.77	9.21	
	mm	88	88	97	138	138	172	172	234	
F	inch	.28	.35	.47	.59	.79	1.06	1.26	1.57	
	mm	7	9	12	15	20	27	32	40	
G	inch	1.5	1.5	1.89	2.20	2.52	3.07	3.35	3.74	
	mm	38	38	48	56	64	78	85	95	
Weight	lb.	5.75	5.75	9.25	14.25	18.75	27.5	49	79.25	
	kg	2.6	2.6	4.2	6.5	8.5	12.5	22.3	36	
PACKING		BH3	BH3	BH5	2B4	2B4	2B5	BH8	9B8	
GASKET		G1	G1	G2	G3	G4	G5	G7	G8	

		STANDARD PORT – FIG. 9HL 30					
SIZE	inch	1/2	3/4	1	1 1/2	2	
	mm	15	20	25	40	50	
A	inch	3.54	4.33	5	7.09	8.27	
	mm	90	110	127	180	210	
B open	inch	6.54	8.27	9.84	11.81	14.76	
	mm	166	210	250	300	375	
C	inch	3.46	3.82	5.43	6.77	6.77	
	mm	88	97	138	172	172	
F	inch	.35	.47	.59	1.06	1.26	
	mm	9	12	15	27	32	
G	inch	1.5	1.89	2.20	3.07	3.35	
	mm	38	48	56	78	85	
Weight	lb.	5.25	8.75	14.25	28.5	48.5	
	kg	2.4	4	6.5	13	22	
PACKING		BH3	BH5	2B4	2B5	BH8	
GASKET		G1	G2	G3	G5	G7	

# GLOBE VALVES- BOLTED BONNET- FULL PORT

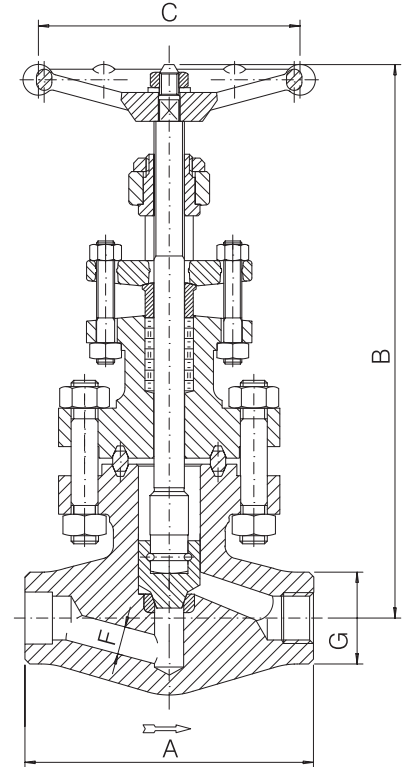
BONNEY FORGE

**1500 LB.**

**2500 LB.**

**Design construction:**  
 ASME B16.34 - BS 5352  
 Testing according to API 598  
 Marking MSS SP55  
 Outside Screw and Yoke (OS&Y)  
 Self aligning two piece packing gland  
 Integral backseat  
 Oval ring joint gasket  
 Loose solid disc  
 Socket Weld Ends to ASME B16.11  
 Screwed Ends (NPT) to ASME B1.20.1  
 Butt Welding Ends to ASME B16.25

Ratings standard class:  
 - carbon steel class 1500 3705 psig @ 100°F  
   255 bar + 38°C  
 - carbon steel class 2500 6170 psig @ 100°F  
   425 bar + 38°C



		FULL PORT – FIG. 9HR 30				
SIZE	inch mm	1/2 15	3/4 20	1 25	1 1/2 40	2 50
A	inch mm	4.33 110	5.91 150	5.91 150	8.27 210	9.06 230
B open	inch mm	9.53 242	12.20 310	12.20 310	14.57 370	18.31 465
C	inch mm	5.43 138	5.43 138	5.43 138	6.77 172	9.21 234
F	inch mm	.47 12	.59 15	.75 19	1.26 32	1.57 40
G	inch mm	1.5 38	2.17 55	2.17 55	2.95 75	3.74 95
Weight	lb. kg	11 5	22 10	22 10	46.25 21	79.25 36
PACKING		2B3	2B4	2B4	2B5	2B8
GASKET		R12	R17	R17	R20	R24

		FULL PORT – FIG. 25HR 30				
SIZE	inch mm	1/2 15	3/4 20	1 25	1 1/2 40	2 50
A	inch mm	5.91 150	5.91 150	8.27 210	9.06 230	9.06 230
B open	inch mm	11.97 304	11.97 304	14.25 362	17.17 436	17.17 436
C	inch mm	5.43 138	5.43 138	5.43 138	9.21 234	9.21 234
F	inch mm	.43 11	.57 14.5	.75 19	1.10 28	1.5 38
G	inch mm	2.17 55	2.17 55	2.95 75	3.74 95	3.74 95
Weight	lb. kg	22 10	22 10	48.5 22	83.75 38	83.75 38
PACKING		2B4	2B4	BH8	2B8	4B8
GASKET		R16	R16	R17	R20	R20

# B<sup>®</sup> GLOBE VALVES- WELDED BONNET- FULL & STANDARD PORT

BONNEY FORGE

800 LB.

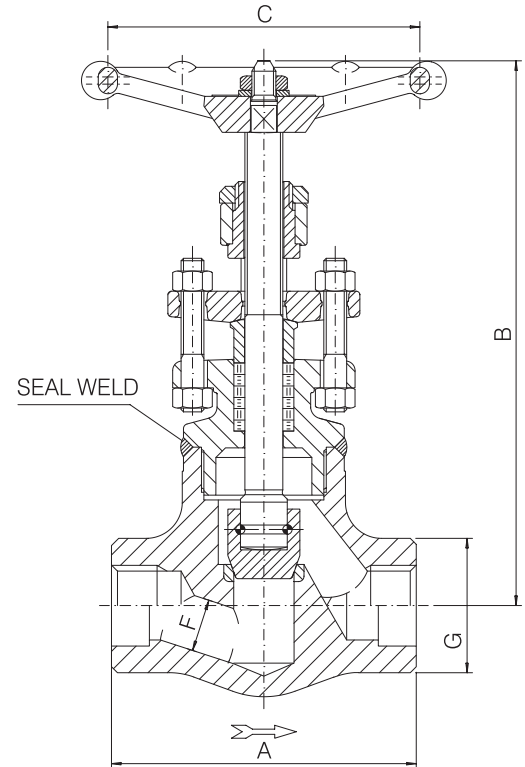
1500 LB.

**Design construction:**

- ASME B16.34 - BS 5352
- Testing according to API 598
- Marking MSS SP25
- Outside Screw and Yoke (OS&Y)
- Self aligning two piece packing gland
- Integral backseat
- Body bonnet weld to ASME IX
- Loose solid disc
- Socket Weld Ends to ASME B16.11
- Screwed Ends (NPT) to ASME B1.20.1
- Butt Welding Ends to ASME B16.25

**Ratings:**

- carbon steel class 800     1975 psig @ 100°F  
    138 bar + 38°C
- carbon steel class 1500     3705 psig @ 100°F  
    255 bar + 38°C



800 LB.	FULL PORT – FIG. W 30									
	SIZE	inch	1/4	3/8	1/2	3/4	1	1 1/4	1 1/2	2
	mm	6	10	15	20	25	32	40	50	
A	inch	3.15	3.15	3.54	4.33	5	5.91	7.09	8.27	
	mm	80	80	90	110	127	150	180	210	
B open	inch	6.54	6.54	6.73	8.39	9.72	10.12	11.81	14.76	
	mm	166	166	171	213	247	258	300	375	
C	inch	3.46	3.46	3.46	3.82	5.43	5.43	6.77	6.77	
	mm	88	88	88	97	138	138	172	172	
F	inch	.28	.35	.51	.69	.89	1.16	1.38	1.77	
	mm	7	9	13	17.5	22.5	29.5	35	45	
G	inch	1.26	1.26	1.5	1.89	2.20	2.52	3.07	3.35	
	mm	32	32	38	48	56	64	78	85	
Weight	lb.	3.75	3.75	4.25	6.5	11	14.75	24.25	36.25	
	kg	1.7	1.8	2	3	5	6.8	11	16.5	
PACKING		BH3	BH3	BH3	BH5	BY5	BY5	BY7	BH8	

800 LB.	STANDARD PORT – FIG. WL 30					
	SIZE	inch	1/2	3/4	1	1 1/2
	mm	15	20	25	40	50
A	inch	3.15	3.54	4.33	5.91	7.09
	mm	80	90	110	150	180
B open	inch	6.54	6.73	8.39	10.12	11.81
	mm	166	171	213	258	300
C	inch	3.46	3.46	3.82	5.43	6.77
	mm	88	88	97	138	172
F	inch	.35	.51	.69	1.16	1.38
	mm	9	13	17.5	29.5	35
G	inch	1.26	1.5	1.89	2.52	3.07
	mm	32	38	48	64	78
Weight	lb.	3.75	4.25	6.5	14.5	22.75
	kg	1.7	2	3	6.6	10.4
PACKING		BH3	BH3	BH5	BY5	BY7

1500 LB.	FULL PORT – FIG. 9W 30									
	SIZE	inch	1/4	3/8	1/2	3/4	1	1 1/4	1 1/2	2
	mm	6	10	15	20	25	32	40	50	
A	inch	3.54	3.54	4.33	5	5.91	7.09	8.27	9.06	
	mm	90	90	110	127	150	180	210	230	
B open	inch	6.54	6.54	8.27	9.72	10.08	11.81	14.76	16.85	
	mm	166	166	210	247	256	300	375	428	
C	inch	3.46	3.46	3.82	5.43	5.43	6.77	6.77	9.21	
	mm	88	88	97	138	138	172	172	234	
F	inch	.28	.35	.47	.59	.79	1.06	1.26	1.57	
	mm	7	9	12	15	20	27	32	40	
G	inch	1.5	1.5	1.89	2.20	2.52	3.07	3.35	3.74	
	mm	38	38	48	56	64	78	85	95	
Weight	lb.	4.75	4.75	7.75	12	16.75	22	44	66	
	kg	2.2	2.2	3.5	5.5	7.6	10	20	30	
PACKING		BH3	BH3	BH5	2B4	2B4	2B5	BH8	2B8	

1500 LB.	STANDARD PORT – FIG. 9WL 30					
	SIZE	inch	1/2	3/4	1	1 1/2
	mm	15	20	25	40	50
A	inch	3.54	4.33	5	7.09	8.27
	mm	90	110	127	180	210
B open	inch	6.54	8.27	9.72	11.81	14.76
	mm	166	210	247	300	375
C	inch	3.46	3.82	5.43	6.77	6.77
	mm	88	97	138	172	172
F	inch	.35	.47	.59	1.06	1.26
	mm	9	12	15	27	32
G	inch	1.5	1.89	2.20	3.07	3.35
	mm	38	48	56	78	85
Weight	lb.	4.25	7.75	12	26.25	41.75
	kg	2	3.5	5.5	12	19
PACKING		BH3	BH5	2B4	2B5	BH8

# B<sup>®</sup> GLOBE VALVES- WELDED BONNET- FULL PORT

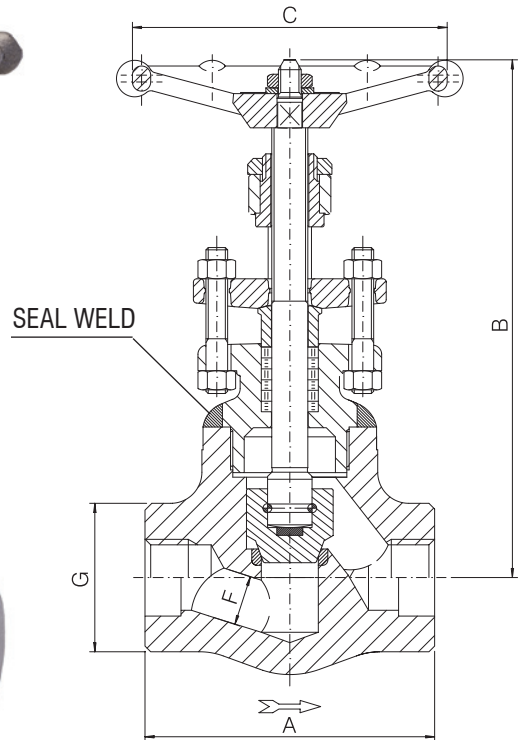
BONNEY FORGE

**2500 LTD.**

**4500 LTD.**

**Design construction:**

- ASME B16.34 Limited Class
- Testing according to API 598
- Marking MSS SP25
- Outside Screw and Yoke (OS&Y)
- Self aligning two piece packing gland
- Integral backseat
- Body bonnet weld to ASME IX
- Loose solid disc
- Socket Weld Ends to ASME B16.11
- Screwed Ends (NPT) to ASME B1.20.1
- Butt Welding Ends to ASME B16.25
- Ratings standard class:
  - carbon steel class 2500     6250 psig @ 100°F  
  431 bar + 38°C
  - carbon steel class 4500     11250 psig @ 100°F  
  776 bar + 38°C



		FULL PORT – FIG. 25W 30							
SIZE	inch	1/4	3/8	1/2	3/4	1	1 1/4	1 1/2	2
	mm	6	10	15	20	25	32	40	50
A	inch	4.33	4.33	5	5.91	7.09	7.09	8.27	9.06
	mm	110	110	127	150	180	180	210	230
B open	inch	7.48	7.48	8.9	9.72	11.34	11.34	14.17	16.54
	mm	190	190	226	247	288	288	360	420
C	inch	3.46	3.46	5.43	5.43	5.43	5.43	6.77	9.21
	mm	88	88	138	138	138	138	172	234
F	inch	.28	.35	.43	.57	.75	.87	1.10	1.38
	mm	7	9	11	14.5	19	22	28	35
G	inch	1.89	1.89	2.20	2.52	3.07	3.07	3.35	3.74
	mm	48	48	56	64	78	78	85	95
Weight	lb.	9.75	10.25	12	17.5	28.5	28.5	43.5	66
	kg	4,5	4,7	5,5	8	13	13	19,8	30
PACKING		BH4	BH4	2B3	2B4	2B5	2B5	2B5	2B8

		FULL PORT – FIG. 45W 30							
SIZE	inch	1/4	3/8	1/2	3/4	1	1 1/2	2	
	mm	6	10	15	20	25	40	50	
A	inch	5	5	5	7.09	7.09	9.06	9.06	
	mm	127	127	127	180	180	230	230	
B open	inch	9.06	9.06	9.25	11.81	11.81	14.57	15.75	
	mm	230	230	235	300	300	370	400	
C	inch	5.43	5.43	5.43	6.77	6.77	9.21	15.75	
	mm	138	138	138	172	172	234	400	
F	inch	.28	.28	.31	.43	.55	.98	1.26	
	mm	7	7	8	11	14	25	32	
G	inch	2.20	2.20	2.20	3.07	3.07	3.74	4.72	
	mm	56	56	56	78	78	95	120	
Weight	lb.	14.25	14.25	14.25	33	33	55	66	
	kg	6,5	6,5	6,5	15	15	25	30	
PACKING		2B3	2B3	2B3	4B5	4B5	2B8	4B8	

Available with Socket Weld or Butt-Weld Ends only.

Materials and trim specifications Page 91

# B® GLOBE VALVES- WELDED BONNET- FULL PORT (Y TYPE)

BONNEY FORGE

**800 LTD.**

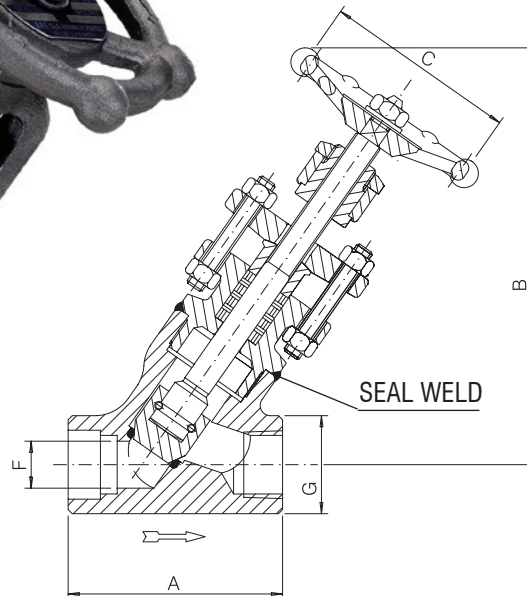
**1690 LTD.**

### Design construction:

ASME B16.34 Limited Class  
 Testing according to API 598  
 Marking MSS SP25  
 Outside Screw and Yoke (OS&Y)  
 Self aligning two piece packing gland  
 Integral backseat  
 Body bonnet weld to ASME IX  
 Loose solid disc  
 Socket Weld Ends to ASME B16.11  
 Screwed Ends (NPT) to ASME B1.20.1  
 Butt Welding Ends to ASME B16.25

### Ratings:

- carbon steel class 800      2000 psig @ 100°F  
     138 bar + 38°C  
 - carbon steel class 1690    4225 psig @ 100°F  
     291 bar + 38°C



	FULL PORT – FIG. Y 30									
	SIZE	inch mm	1/4 6	3/8 10	1/2 15	3/4 20	1 25	1 1/4 32	1 1/2 40	2 50
A	inch mm	3.35 85	3.35 85	3.35 85	4.13 105	4.72 120	6.5 165	6.5 165	7.48 190	
B open	inch mm	6.85 174	6.85 174	6.85 174	8.46 215	10.04 255	10.04 255	12.52 318	14.76 375	
C	inch mm	3.46 88	3.46 88	3.46 88	3.82 97	5.43 138	6.77 172	6.77 172	6.77 172	
F	inch mm	.28 7	.35 9	.51 13	.69 17.5	.89 22.5	1.38 35	1.38 35	1.77 45	
G	inch mm	1.5 38	1.5 38	1.5 38	1.89 48	2.20 56	3.07 78	3.07 78	3.35 85	
Weight	lb. kg	4.25 2	4.25 2	4.25 2	7.25 3.3	11 5	24.25 11	24.25 11	33 15	
PACKING		BH3	BH3	BH3	BH5	BY5	BY7	BY7	BH8	

	FULL PORT – FIG. 1690Y 30									
	SIZE	inch mm	1/4 6	3/8 10	1/2 15	3/4 20	1 25	1 1/4 32	1 1/2 40	2 50
A	inch mm	3.35 85	3.35 85	4.13 105	4.72 120	6.5 165	6.5 165	7.48 190	8.66 220	
B open	inch mm	6.89 175	6.89 175	8.46 215	10.04 255	11.02 280	12.40 315	14.96 380	17.72 450	
C	inch mm	3.46 88	3.46 88	3.82 97	5.43 138	5.43 138	6.77 172	6.77 172	9.21 234	
F	inch mm	.28 7	.35 9	.47 12	.59 15	.79 20	1.06 27	1.26 32	1.57 40	
G	inch mm	1.5 38	1.5 38	1.89 48	2.20 56	3.07 78	3.07 78	3.35 85	3.74 95	
Weight	lb. kg	4.25 2	4.25 2	7.75 3.5	11.5 5.3	24.25 11	24.25 11	36.25 16.5	57.25 26	
PACKING		BH3	BH3	BH5	2B4	2B4	BY7	BH8	2B8	

# B<sup>®</sup> GLOBE VALVES- WELDED BONNET- FULL PORT (Y TYPE)

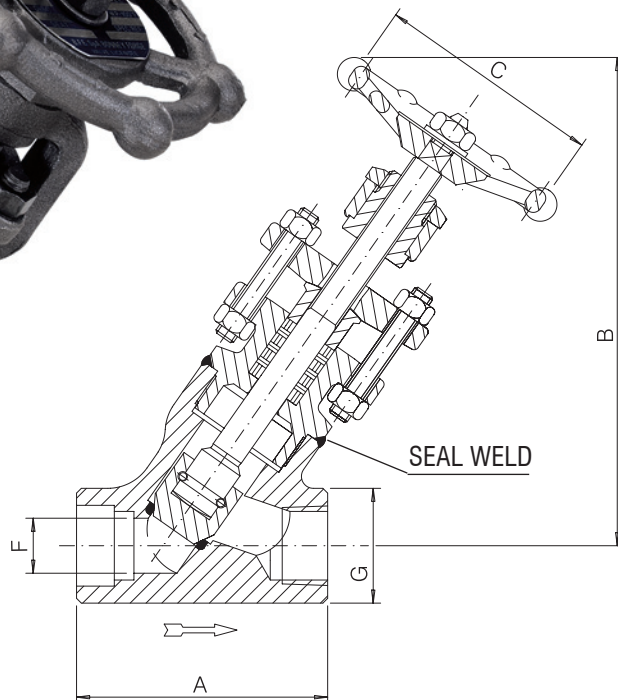
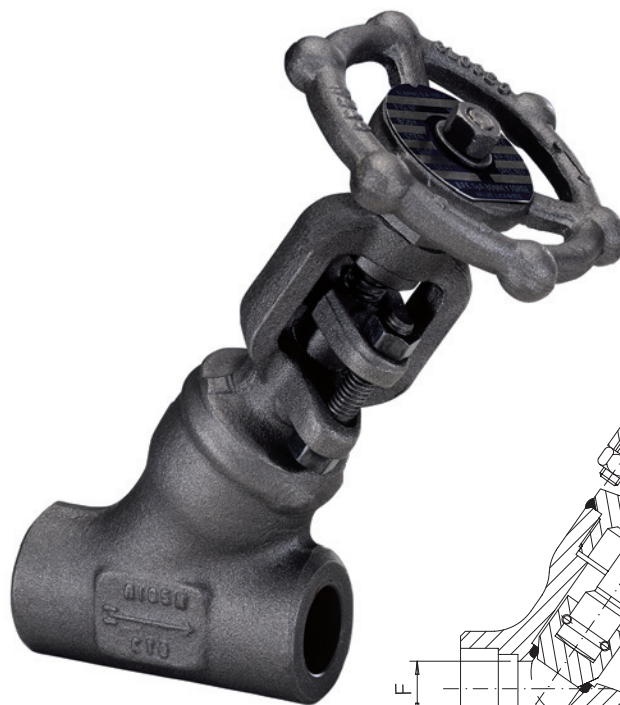
BONNEY FORGE

2680 LTD.

4500 LTD.

**Design construction:**

- ASME B16.34 Limited Class
- Testing according to API 598
- Marking MSS SP25
- Outside Screw and Yoke (OS&Y)
- Self aligning two piece packing gland
- Integral backseat
- Body bonnet weld to ASME IX
- Loose solid disc
- Socket Weld Ends to ASME B16.11
- Screwed Ends (NPT) to ASME B1.20.1
- Butt Welding Ends to ASME B16.25
- Ratings:
  - carbon steel class 2680      6700 psig @ 100°F  
  462 bar + 38°C
  - carbon steel class 4500      11250 psig @ 100°F  
  776 bar + 38°C



		FULL PORT — FIG. 2680Y 30							
		SIZE	inch mm	1/4 6	3/8 10	1/2 15	3/4 20	1 25	1 1/2 40
<b>2680 LTD.</b>	A	inch mm	4.13 105	4.13 105	4.72 120	6.5 165	6.5 165	7.48 190	8.66 220
	B open	inch mm	8.66 220	8.66 220	9.45 240	10.83 275	12.20 310	14.17 360	17.32 440
	C	inch mm	3.46 88	3.46 88	5.43 138	5.43 138	5.43 138	6.77 172	9.21 234
	F	inch mm	.28 7	.35 9	.43 11	.57 14.5	.75 19	1.10 28	1.38 35
	G	inch mm	1.89 48	1.89 48	2.20 56	3.07 78	3.07 78	3.35 85	3.74 95
	Weight	lb. kg	7.75 3.5	7.75 3.5	11 5	25.25 11.5	27.5 12.5	37.25 17	67 30
	PACKING		BH4	BH4	2B3	2B4	2B5	2B5	2B8

Note: Thread End Valves are limited to ASME B16.34, 2500 Pressure Class.

		FULL PORT — FIG. 45Y 30							
		SIZE	inch mm	1/4 6	3/8 10	1/2 15	3/4 20	1 25	1 1/2 40
<b>4500 LTD.</b>	A	inch mm	4.72 120	4.72 120	4.72 120	6.5 165	6.5 165	8.66 220	9.06 230
	B open	inch mm	9.45 240	9.45 240	9.65 245	12.01 305	12.20 310	16.54 420	17.72 450
	C	inch mm	5.43 138	5.43 138	5.43 138	6.77 172	6.77 172	9.21 234	15.75 400
	F	inch mm	.28 7	.28 7	.31 8	.43 11	.55 14	.98 25	1.26 32
	G	inch mm	2.20 56	2.20 56	2.20 56	3.07 78	3.07 78	3.74 95	4.72 120
	Weight	lb. kg	12 5.5	12 5.5	12.25 5.6	30.75 14	30.75 14	61.75 28	70.5 32
	PACKING		2B3	2B3	2B3	2B4A	4B5	2B8	4B8

Available with Socket Weld or Butt-Weld Ends only.

Materials and trim specifications Page 91



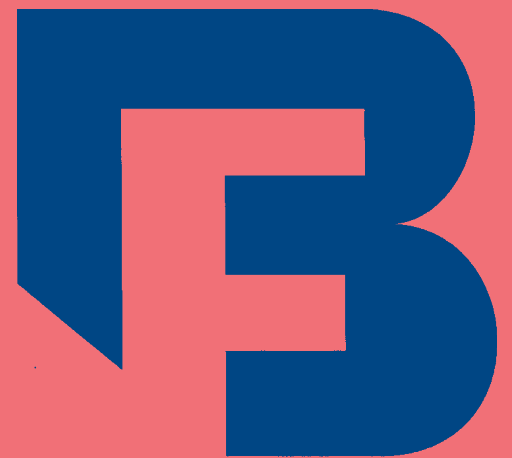
---

Overview .....	24
Bolted Bonnet- 800 lb. & 1500 lb. valves .....	25
Bolted Bonnet- 1500 lb. & 2500 lb. valves .....	26
Welded Bonnet- 800 lb. & 1500 lb. valves .....	27
Welded Bonnet- 2500 lb. & 4500 lb. valves .....	28
Welded Bonnet (Y type)- 800 lb. & 1690 lb. valves .....	29
Welded Bonnet (Y type)- 2680 lb. & 4500 lb. valves .....	30

---

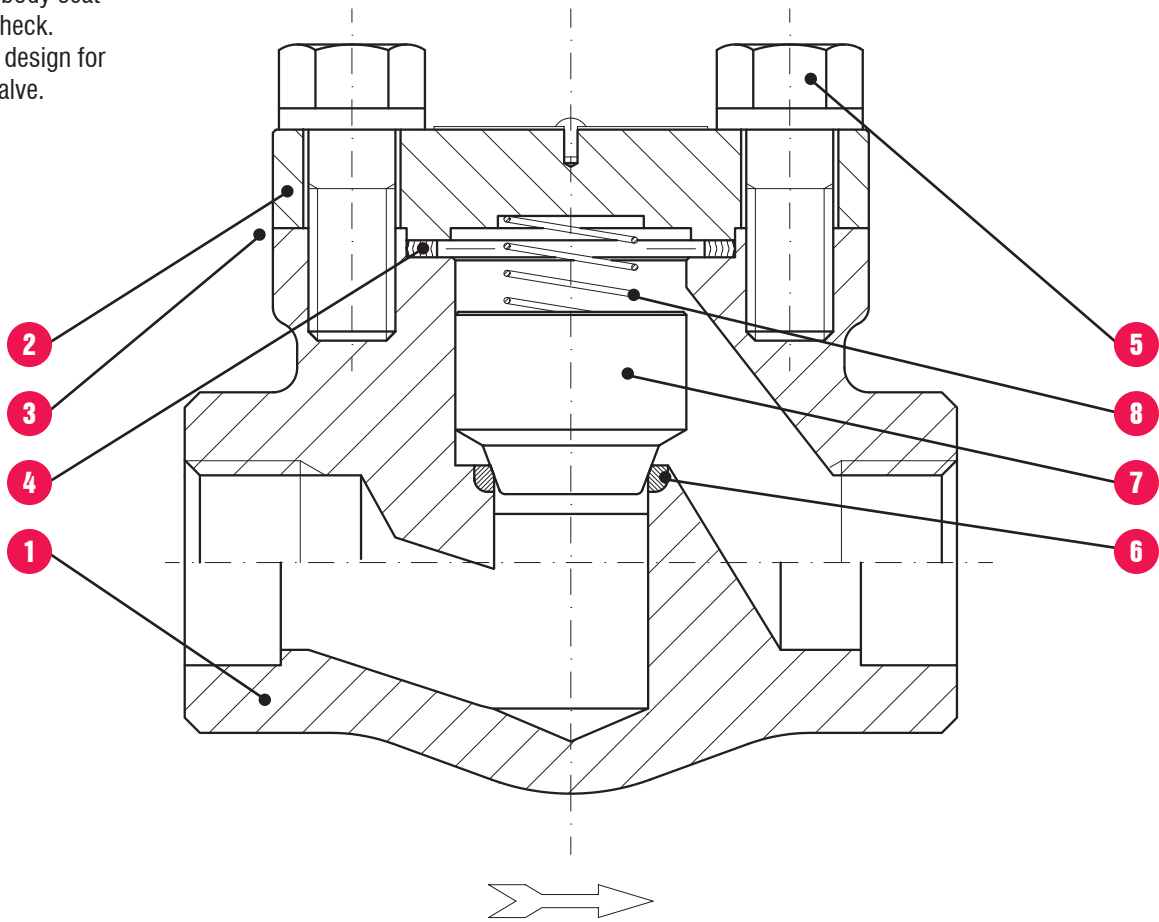
# CHECK VALVES

---



## CHECK VALVES

Forged steel, piston, ball or swing check. Full or standard port. Bolted or welded cover joint. T-Pattern or Y-Pattern. Integral body seat for piston or ball check. Separate seat ring design for the swing check valve.



- 1. BODY.** The body is forged steel and designed to the basic dimensional requirements of the applicable specifications such as API 602 and ASME B16.34. The body is available in both the full or standard port design. It is also available in either T-Pattern or Y-Pattern configurations.
- 2. COVER.** The cover is forged steel and designed to the basic dimensional requirements of the applicable specifications such as API 602 and ASME B16.34.
- 3. BODY-COVER JOINT.** Two different cover joint designs are available. These are either the bolted cover or the threaded and seal welded type.
- 4. GASKET.** The bolted cover joint design valve uses a contained, controlled compression, spiral wound type gasket.

- 5. COVER BOLTING.** The cover bolting is manufactured of alloy steel in accordance with the requirements of the applicable specifications such as API 602 and ASME B16.34.
- 6. SEAT.** The body seat for the piston and ball check valves is an integral weld overlay and is part of the valve trim. The swing check valve is supplied with a separate seat ring which is pressed into the valve body and wedged into place, forming a seal with the body.
- 7. PISTON, BALL OR DISC.** The piston, ball or disc is forged steel and is part of the valve trim. The seating surface of the piston and ball check is of the tapered or plug type design. The seating surface of the swing check is of the flat seat design.
- 8. SPRING.** The spring is optional and supplied only upon request.

# CHECK VALVES- BOLTED BONNET- FULL & STANDARD PORT

BONNEY FORGE

**800 LB.**

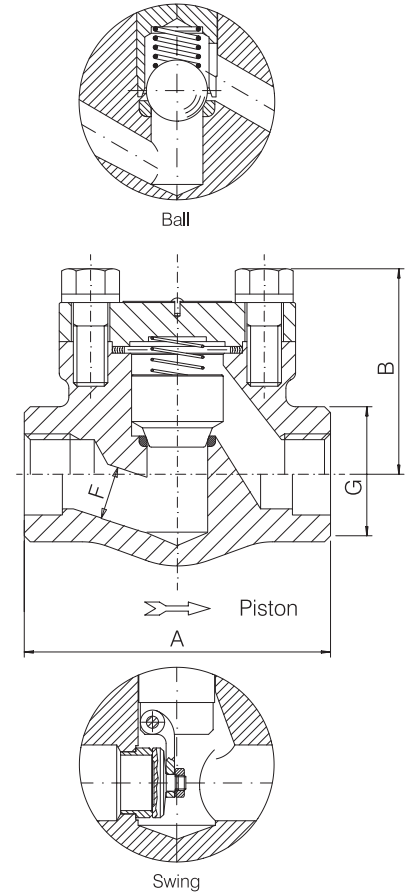
**1500 LB.**

**Design construction:**

- ASME B16.34 - BS 5352
- Testing according to API 598
- Marking MSS SP25
- Spring on request only
- Spiral-wound gasket
- Socket Weld Ends to ASME B16.11
- Screwed Ends (NPT) to ASME B1.20.1
- Butt Welding Ends to ASME B16.25

**Ratings:**

- carbon steel class 800 1975 psig @ 100°F  
138 bar + 38°C
- carbon steel class 1500 3705 psig @ 100°F  
255 bar + 38°C



800 LB.		FULL PORT — FIG. H 40 - H 50 - H 60									
		SIZE	inch	mm	1/4	3/8	1/2	3/4	1	1 1/4	1 1/2
A	inch	3.15	3.15	3.54	4.33	5	5.91	7.09	8.27		
	mm	80*	80	90	110	127	150	180	210		
B	inch	2.17	2.17	2.36	3.07	3.46	3.62	4.25	5.71		
	mm	55	55	60	78	88	92	108	145		
F Piston/ F Ball	inch	.28	.35	.51	.69	.89	1.16	1.38	1.77		
	mm	7	9	13	17.5	22.5	29.5	35	45		
F Swing	inch	.31	.38	.55	.71	.94	1.18	1.44	1.89		
	mm	8	9.6	14	18	24	30	36.6	48		
G	inch	1.26	1.26	1.50	1.89	2.20	2.52	3.07	3.35		
	mm	32	32	38	48	56	64	78	85		
Weight	lb.	3	3	3.5	6.5	9.5	12.25	22	35.25		
	kg	1.4	1.4	1.6	3	4.3	5.6	10	16		
GASKET		G2	G2	G2	G3	G4	G6	G7	G9		

\*For swing type only A=90mm 3.54inch

800 LB.		STANDARD PORT — FIG. HL 40 - HL 50 - HL 60						
		SIZE	inch	mm	1/2	3/4	1	1 1/2
A	inch	3.15	3.54	4.33	5.91	7.09		
	mm	80	90	110	150	180		
B	inch	2.17	2.36	3.07	3.62	4.25		
	mm	55	60	78	92	108		
F Piston/ F Ball	inch	.35	.51	.69	1.16	1.38		
	mm	9	13	17.5	29.5	35		
F Swing	inch	.38	.55	.71	1.18	1.44		
	mm	9.6	14	18	30	36.6		
G	inch	1.26	1.5	1.89	2.52	3.07		
	mm	32	38	48	64	78		
Weight	lb.	2.75	3.5	6.25	12.25	19.75		
	kg	1.3	1.6	2.8	5.6	9.0		
GASKET		G2	G2	G3	G6	G7		

1500 LB.		FULL PORT — FIG. 9H 40 - 9H 50 - 9H 60									
		SIZE	inch	mm	1/4	3/8	1/2	3/4	1	1 1/4	1 1/2
A	inch	3.54	3.54	4.33	5	5.91	7.09	8.27	8.27		
	mm	90	90	110	127	150	180	210	210		
B	inch	2.36	2.36	3.07	3.46	3.62	4.25	5.71	5.91		
	mm	60	60	78	88	92	108	145	150		
F Piston/ F Ball	inch	.28	.35	.47	.59	.79	1.06	1.26	1.57		
	mm	7	9	12	15	20	27	32	40		
F Swing	inch	-	-	.55	.71	.94	1.18	1.44	1.89		
	mm	-	-	14	18	24	30	36.6	48		
G	inch	1.5	1.5	1.89	2.20	2.52	3.07	3.35	3.74		
	mm	38	38	48	56	64	78	85	95		
Weight	lb.	3.75	3.75	6.75	10	14.25	23.25	41.75	41.75		
	kg	1.7	1.7	3.1	4.6	6.5	10.6	19	19		
GASKET		G1	G1	G2	G3	G4	G5	G7	G8		

1500 LB.		STANDARD PORT — FIG. 9HL 40 - 9HL 50 - 9HL 60						
		SIZE	inch	mm	1/2	3/4	1	1 1/2
A	inch	3.54	4.33	5	7.09	8.27		
	mm	90	110	127	180	210		
B	inch	2.36	3.07	3.46	4.25	5.71		
	mm	60	78	88	108	145		
F Piston/ F Ball	inch	.35	.47	.59	1.06	1.26		
	mm	9	12	15	27	32		
F Swing	inch	.38	.55	.71	1.18	1.44		
	mm	9.6	14	18	30	36.6		
G	inch	1.5	1.89	2.20	3.07	3.35		
	mm	38	48	56	78	85		
Weight	lb.	3.75	6.5	9.75	22	39.5		
	kg	1.7	3	4.4	10	18		
GASKET		G1	G2	G3	G5	G7		

# B<sup>®</sup> CHECK VALVES- BOLTED BONNET- FULL PORT

BONNEY FORGE

**1500 LB.**

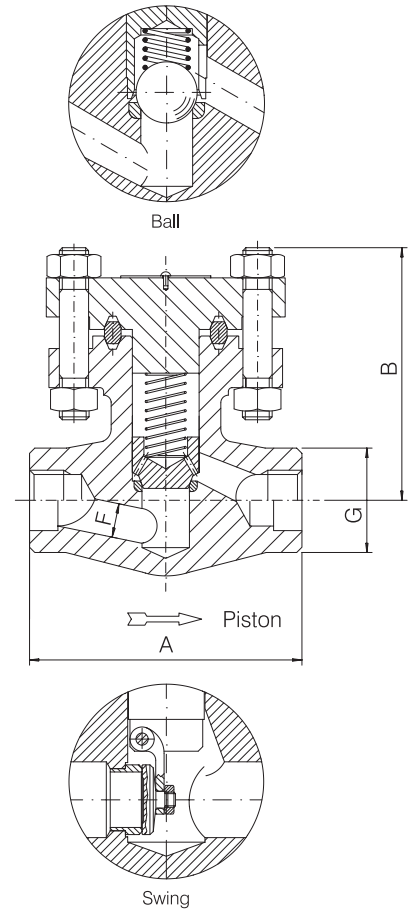
**2500 LB.**

**Design construction:**

- ASME B16.34 - BS 5352
- Testing according to API 598
- Marking MSS SP25
- Spring on request only
- Oval ring joint gasket
- Socket Weld Ends to ASME B16.11
- Screwed Ends (NPT) to ASME B1.20.1
- Butt Welding Ends to ASME B16.25

Ratings standard class:

- carbon steel class 1500 3705 psig @ 100°F  
255 bar + 38°C
- carbon steel class 2500 6170 psig @ 100°F  
425 bar + 38°C



FULL PORT – FIG. 9HR 40 - 9HR 50 - 9HR 60						
SIZE	inch	1/2	3/4	1	1 1/2	2
	mm	15	20	25	40	50
A	inch mm	4.33 110	5.91 150	5.91 150	8.27 210	9.06 230
B	inch mm	3.78 96	5.04 128	5.04 128	6.10 155	7.68 195
F Piston/ F Ball	inch mm	.47 12	.59 15	.75 19	1.26 32	1.5 38
F Swing	inch mm	.55 14	.71 18	.94 24	1.44 36.6	1.89 48
G	inch mm	1.5 38	2.17 55	2.17 55	2.95 75	3.62 92
Weight	lb. kg	7 3.2	16 7.3	16 7.3	37.5 17	63.75 29
GASKET		R12	R17	R17	R20	R24

FULL PORT – FIG. 25HR 40 - 25HR 50 - 25HR 60						
SIZE	inch	1/2	3/4	1	1 1/2	2
	mm	15	20	25	40	50
A	inch mm	5.91 150	5.91 150	8.27 210	9.06 230	9.06 230
B	inch mm	5.04 128	5.04 128	5.98 152	7.48 190	7.48 190
F Piston/ F Ball	inch mm	.43 11	.57 14.5	.75 19	1.10 28	1.38 35
F Swing	inch mm	.45 11.5	.59 15	.77 19.5	1.10 28	1.38 35
G	inch mm	2.17 55	2.17 55	2.95 75	3.74 95	3.74 95
Weight	lb. kg	16.5 7.5	16.5 7.5	40.75 18.5	66 30	66 30
GASKET		R16	R16	R17	R20	R20

# B<sup>®</sup> CHECK VALVES- WELDED BONNET- FULL & STANDARD PORT

BONNEY FORGE

**800 LB.**

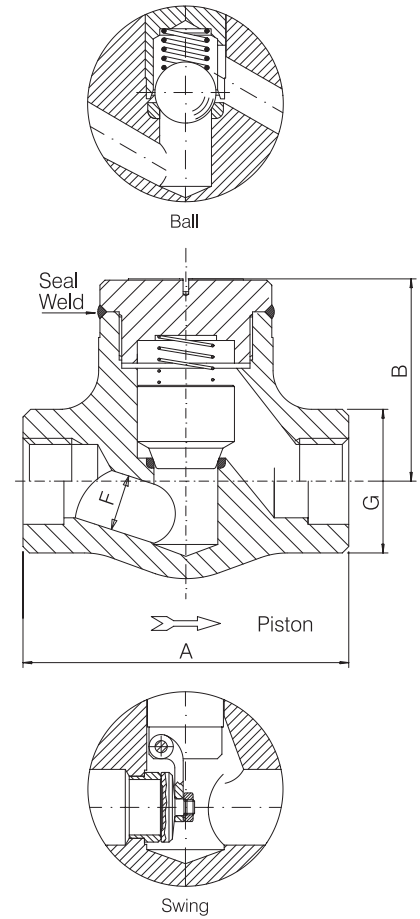
**1500 LB.**

**Design construction:**

- ASME B16.34 - BS 5352
- Testing according to API 598
- Marking MSS SP25
- Spring on request only
- Body bonnet weld to ASME IX
- Socket Weld Ends to ASME B16.11
- Screwed Ends (NPT) to ASME B1.20.1
- Butt Welding Ends to ASME B16.25

**Ratings:**

- carbon steel class 800 1975 psig @ 100°F  
138 bar + 38°C
- carbon steel class 1500 3705 psig @ 100°F  
255 bar + 38°C



		FULL PORT – FIG. W 40 - W 50 - W 60							
SIZE	inch	1/4	3/8	1/2	3/4	1	1 1/4	1 1/2	2
	mm	6	10	15	20	25	32	40	50
A	inch	3.15	3.15	3.54	4.33	5	5.91	7.09	8.27
	mm	80	80	90	110	127	150	180	210
B	inch	2.17	2.17	2.36	3.07	3.46	3.62	4.33	5.91
	mm	55	55	60	78	88	92	110	150
F Piston/ F Ball	inch	.28	.35	.51	.69	.89	1.16	1.38	1.77
	mm	7	9	13	17.5	22.5	29.5	35	45
F Swing	inch	.31	.38	.55	.71	.94	1.18	1.44	1.89
	mm	8	9.6	14	18	24	30	36.6	48
G	inch	1.26	1.26	1.50	1.89	2.20	2.52	3.07	3.35
	mm	32	32	38	48	56	64	78	85
Weight	lb.	2	2	2.5	5	7.25	11.5	19	30.75
	kg	1	1	1.2	2.3	3.3	5.2	8.7	14

		STANDARD PORT – FIG. WL 40 - WL 50 - WL 60					
SIZE	inch	1/2	3/4	1	1 1/2	2	
	mm	15	20	25	40	50	
A	inch	3.15	3.54	4.33	5.91	7.09	
	mm	80	90	110	150	180	
B	inch	2.13	2.36	3	3.62	4.33	
	mm	54	60	76	92	110	
F Piston/ F Ball	inch	.35	.51	.69	1.16	1.38	
	mm	9	13	17.5	29.5	35	
F Swing	inch	.38	.55	.71	1.18	1.44	
	mm	9.6	14	18	30	36.6	
G	inch	1.26	1.50	1.89	2.52	3.07	
	mm	32	38	48	64	78	
Weight	lb.	1.75	2.25	5	11	18.25	
	kg	0.9	1.1	2.3	5	8.3	

		FULL PORT – FIG. 9W 40 - 9W 50 - 9W 60							
SIZE	inch	1/4	3/8	1/2	3/4	1	1 1/4	1 1/2	2
	mm	6	10	15	20	25	32	40	50
A	inch	3.54	3.54	4.33	5	5.91	7.09	8.27	9.06
	mm	90	90	110	127	150	180	210	230
B	inch	2.17	2.17	3	3.31	3.54	4.33	5.91	9.06
	mm	55	55	76	84	90	110	150	230
F Piston/ F Ball	inch	.28	.35	.47	.59	.79	1.06	1.26	1.57
	mm	7	9	12	15	20	27	32	40
F Swing	inch	.31	.38	.55	.71	.94	1.18	1.44	1.89
	mm	8	9.6	14	18	24	30	36.6	48
G	inch	1.50	1.50	1.89	2.20	2.52	3.07	3.35	3.74
	mm	38	38	48	56	64	78	85	95
Weight	lb.	3	3	5.5	8	13.25	22	34.25	48.5
	kg	1.4	1.4	2.5	3.7	6	10	15.5	22

		STANDARD PORT – FIG. 9WL 40 - 9WL 50 - 9WL 60					
SIZE	inch	1/2	3/4	1	1 1/2	2	
	mm	15	20	25	40	50	
A	inch	3.54	4.33	5	7.09	8.27	
	mm	90	110	127	180	210	
B	inch	2.13	3	3.39	4.33	5.91	
	mm	54	76	86	110	150	
F Piston/ F Ball	inch	.35	.47	.59	1.06	1.26	
	mm	9	12	15	27	32	
F Swing	inch	.38	.55	.71	1.18	1.44	
	mm	9.6	14	18	30	36.6	
G	inch	1.5	1.89	2.20	3.07	3.35	
	mm	38	48	56	78	85	
Weight	lb.	3	4.75	6.5	21	35.25	
	kg	1.4	2.2	3	9.6	16	

# CHECK VALVES- WELDED BONNET- FULL PORT

BONNEY FORGE

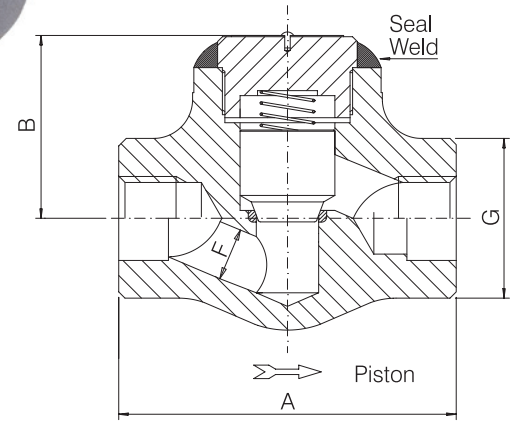
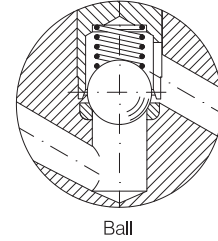
**2500 LTD.**

**4500 LTD.**

**Design construction:**

ASME B16.34 Limited Class  
 Testing according to API 598  
 Marking MSS SP25  
 Spring on request only  
 Body bonnet weld to ASME IX  
 Socket Weld Ends to ASME B16.11  
 Screwed Ends (NPT) to ASME B1.20.1  
 Butt Welding Ends to ASME B16.25

Ratings:  
 - carbon steel class 2500      6250 psig @ 100°F  
   431 bar + 38°C  
 - carbon steel class 4500      11250 psig @ 100°F  
   776 bar + 38°C



		FULL PORT - FIG. 25W 40 - 25W 50								
		SIZE	inch	1/4	3/8	1/2	3/4	1	1 1/2	2
<b>2500 LTD.</b>			inch	6	10	15	20	25	40	50
			mm							
	A	inch	4.33	4.33	5	5.91	7.09	8.27	9.06	
		mm	110	110	127	150	180	210	230	
	B	inch	2.76	2.76	3.39	3.62	4.33	5.91	7.09	
		mm	70	70	86	92	110	150	180	
F	inch	.28	.35	.43	.57	.75	1.10	1.38		
	mm	7	9	11	14.5	19	28	35		
G	inch	1.89	1.89	2.20	2.52	3.07	3.35	3.74		
	mm	48	48	56	64	78	85	95		
Weight	lb.	7	7	8.25	12.25	22	35.25	46.25		
	kg	3.2	3.2	3.8	5.6	10	16	21		

		FULL PORT - FIG. 45W 40 - 45W 50								
		SIZE	inch	1/4	3/8	1/2	3/4	1	1 1/2	2
<b>4500 LTD.</b>			inch	6	10	15	20	25	40	50
			mm							
	A	inch	5	5	5	7.09	7.09	9.06	9.06	
		mm	127	127	127	180	180	230	230	
	B	inch	3.54	3.54	3.54	4.33	4.33	7.09	7.68	
		mm	90	90	90	110	110	180	195	
F	inch	.28	.28	.31	.43	.55	.98	1.26		
	mm	7	7	8	11	14	25	32		
G	inch	2.20	2.20	2.20	3.07	3.07	3.74	4.72		
	mm	56	56	56	78	78	95	120		
Weight	lb.	8.5	8.5	8.5	23	23	55.5	59.5		
	kg	3.9	3.9	3.9	10.5	10.5	25.2	27		

Available with Socket Weld or Butt-Weld Ends only.

Materials and trim specifications Page 91

# **B** CHECK VALVES- WELDED BONNET- FULL PORT (Y TYPE)

BONNEY FORGE

**800 LTD.**

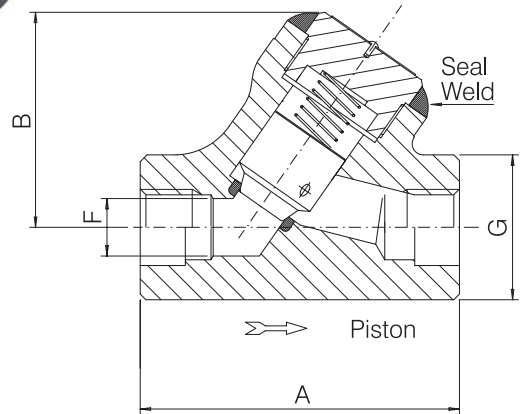
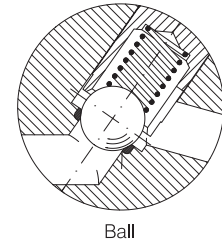
**1690 LTD.**

**Design construction:**

ASME B16.34 Limited Class - BS 5352  
 Testing according to API 598  
 Marking MSS SP25  
 Body bonnet weld to ASME IX  
 Spring on request only  
 Socket Weld Ends to ASME B16.11  
 Screwed Ends (NPT) to ASME B1.20.1  
 Butt Welding Ends to ASME B16.25

**Ratings:**

- carbon steel class 800      2000 psig @ 100°F  
     138 bar + 38°C  
 - carbon steel class 1690    4225 psig @ 100°F  
     291 bar + 38°C



		FULL PORT – FIG. Y 40 - Y 50								
SIZE	inch	1/4	3/8	1/2	3/4	1	1 1/4	1 1/2	2	
	mm	6	10	15	20	25	32	40	50	
A	inch	3.35	3.35	3.35	4.13	4.72	6.5	6.5	7.48	
	mm	85	85	85	105	120	165	165	190	
B	inch	2.76	2.76	2.76	3.54	3.93	5.12	5.12	6.3	
	mm	70	70	70	90	100	130	130	160	
F	inch	.28	.35	.51	.69	.89	1.16	1.38	1.77	
	mm	7	9	13	17.5	22.5	29.5	35	45	
G	inch	1.50	1.50	1.50	1.89	2.20	3.07	3.07	3.35	
	mm	38	38	38	48	56	78	78	85	
Weight	lb.	2.5	2.5	2.5	5	6.5	17.5	17.5	26.25	
	kg	1.2	1.2	1.2	2.3	3	8	8	12	

		FULL PORT – FIG. 1690Y 40 - 1690Y 50								
SIZE	inch	1/4	3/8	1/2	3/4	1	1 1/4	1 1/2	2	
	mm	6	10	15	20	25	32	40	50	
A	inch	3.35	3.35	4.13	4.72	6.5	6.5	7.48	8.66	
	mm	85	85	105	120	165	165	190	220	
B	inch	2.76	2.76	3.54	3.93	5.12	5.12	6.3	7.68	
	mm	70	70	90	100	130	130	160	195	
F	inch	.28	.35	.47	.59	.79	1.06	1.26	1.57	
	mm	7	9	12	15	20	27	32	40	
G	inch	1.50	1.50	1.89	2.20	3.07	3.07	3.35	3.74	
	mm	38	38	48	56	78	78	85	95	
Weight	lb.	2.5	2.5	5.25	7.75	20.5	28.5	29.75	39.5	
	kg	1.2	1.2	2.4	3.6	9.3	13	13.5	18	

Materials and trim specifications Page 91

# B<sup>®</sup> CHECK VALVES- WELDED BONNET- FULL PORT (Y TYPE)

BONNEY FORGE

**2680 LTD.**

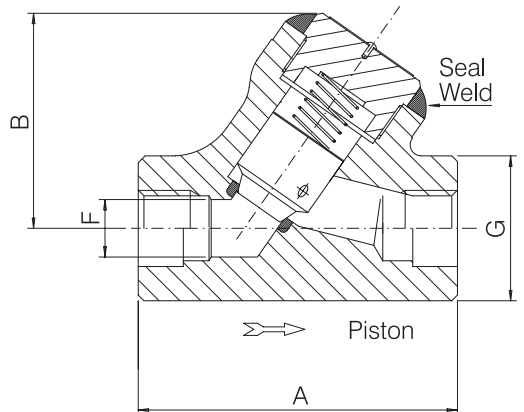
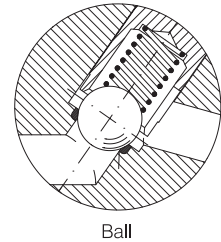
**4500 LTD.**

**Design construction:**

ASME B16.34 Limited Class - BS 5352  
 Testing according to API 598  
 Marking MSS SP25  
 Body bonnet weld to ASME IX  
 Spring on request only  
 Socket Weld Ends to ASME B16.11  
 Screwed Ends (NPT) to ASME B1.20.1  
 Butt Welding Ends to ASME B16.25

**Ratings:**

- carbon steel class 2680      6700 psig @ 100°F  
   462 bar + 38°C  
 - carbon steel class 4500      11250 psig @ 100°F  
   776 bar + 38°C



FULL PORT – FIG. 2680Y 40 - 2680Y 50								
SIZE	inch	1/4	3/8	1/2	3/4	1	1 1/2	2
	mm	6	10	15	20	25	40	50
A	inch	4.13	4.13	4.72	6.5	6.5	7.48	8.66
	mm	105	105	120	165	165	190	220
B	inch	3.35	3.35	3.74	4.53	4.72	5.71	7.28
	mm	85	85	95	115	120	145	185
F	inch	.28	.35	.43	.57	.75	1.10	1.38
	mm	7	9	11	14.5	19	28	35
G	inch	1.89	1.89	2.20	3.07	3.07	3.35	3.74
	mm	48	48	56	78	78	85	95
Weight	lb.	7	7	8	19.75	19.75	29.75	44
	kg	3.2	3.2	3.7	9	9	13.5	20

Note: Thread End Valves are limited to ASME B16.34 2500 Pressure Class.

STANDARD PORT – FIG. 45Y 40 - 45Y 50								
SIZE	inch	1/4	3/8	1/2	3/4	1	1 1/2	2
	mm	6	10	15	20	25	40	50
A	inch	4.72	4.72	4.72	6.5	6.5	8.66	9.06
	mm	120	120	120	165	165	220	230
B	inch	3.74	3.74	3.74	4.53	4.72	7.28	7.68
	mm	95	95	95	115	120	185	195
F	inch	.28	.28	.31	.43	.55	.98	1.26
	mm	7	7	8	11	14	25	32
G	inch	2.20	2.20	2.20	3.07	3.07	3.74	4.72
	mm	56	56	56	78	78	95	120
Weight	lb.	8	8	8	19.75	19.75	44	50.5
	kg	3.7	3.7	3.7	9	9	20	23

Available with Socket Weld or Butt-Weld Ends only.

Materials and trim specifications Page 91



---

Overview .....	32
Gate Type- Bolted Bonnet- 150 lb., & 300 lb. valves .....	33
Gate Type- Bolted Bonnet- 600 lb. valves .....	34
Gate Type- Bolted Bonnet- 800 lb. & 1500 lb. valves .....	35
Gate Type- Bolted Bonnet- 1500 lb. valves Welded Bonnet- 150 lb.-1500 lb valves .....	36
Globe Type- Bolted Bonnet- 150 lb., & 300 lb. valves .....	37
Globe Type- Bolted Bonnet- 600 lb. valves .....	38
Globe Type- Bolted Bonnet- 800 lb. & 1500 lb. valves .....	39
Globe Type- Bolted Bonnet- 1500 lb. valves Welded Bonnet- 150 lb. & 1500 lb. valves ....	40

---

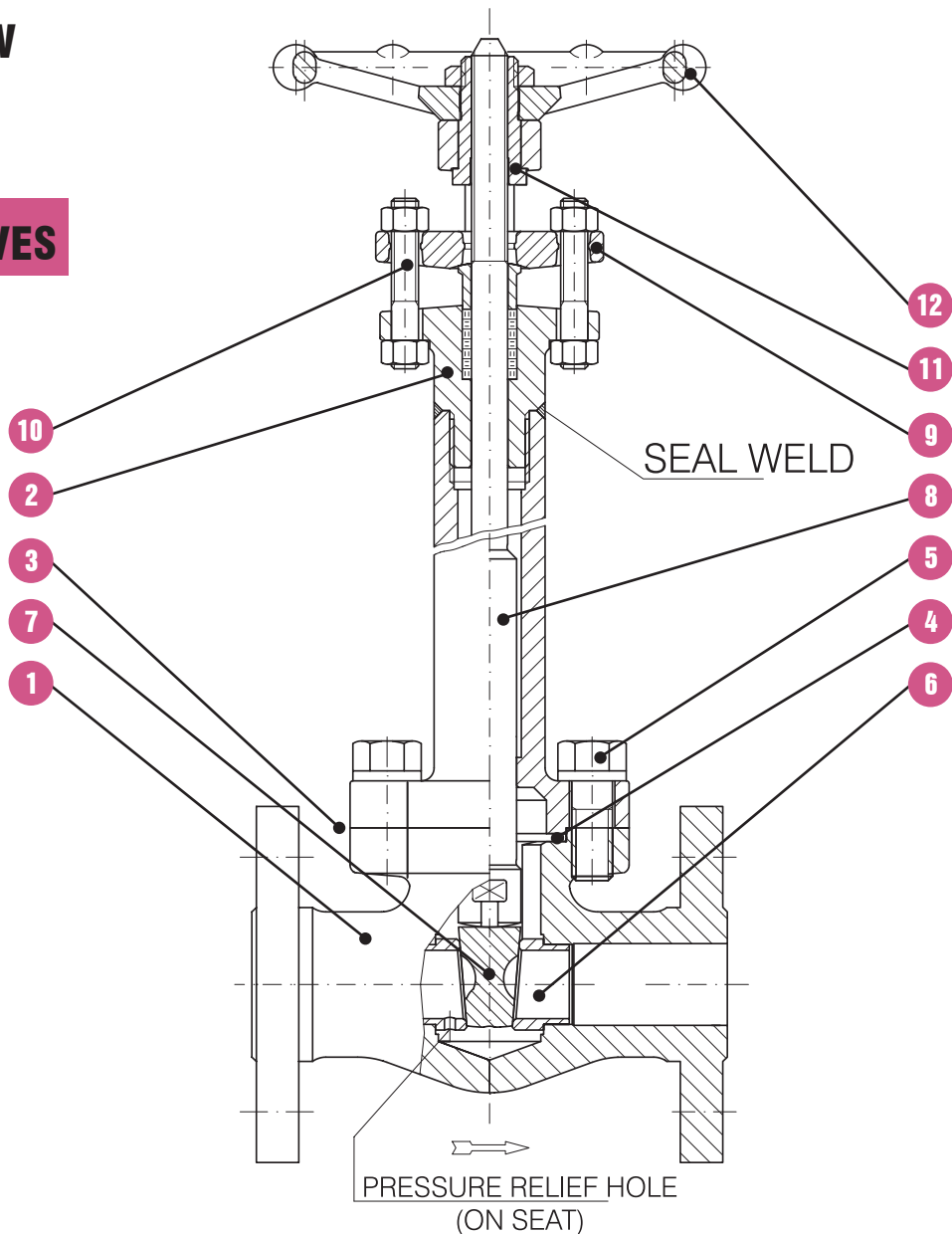
# CRYOGENIC VALVES

---



## CRYOGENIC VALVES

Typical cryogenic gate valve shown. Forged steel, outside screw and yoke (OS&Y), rising stem, non-rising handwheel. Full or standard port. Bolted or welded bonnet joint. Integral backseat.



- 1. BODY.** The body is forged steel and designed to the basic dimensional requirements of the applicable specifications such as API 602 and ASME B16.34. The body is available in both the full or standard port design.
- 2. BONNET.** The bonnet is forged steel and extended to act as a gas column to keep stem packing at a sufficient distance away from the frost line. The bonnet also has an integral backseat and incorporates the stuffing box, which has dimensions per the applicable specifications such as API 602.
- 3. BODY-BONNET JOINT.** Two different bonnet joint designs are available. These are either the bolted bonnet or the threaded and seal welded type.
- 4. GASKET.** The bolted bonnet joint design valve uses a contained, controlled compression, spiral wound type gasket.
- 5. BONNET BOLTING.** The bonnet bolting is manufactured of alloy steel in accordance with the requirements of the applicable specifications such as API 602 and ASME B16.34.
- 6. SEAT RINGS.** The seat rings are steel and make up part of the valve trim. They are pressed into the valve body and wedged into place, forming a seal with the body. The seat ring is vented on the up-stream side to prevent high pressure build up if the temperature rises in the column. The seating surfaces are ground and lapped.
- 7. WEDGE.** The wedge, which is a solid design, is forged or investment cast steel and is part of the valve trim. The seating surfaces are ground and lapped.
- 8. STEM.** The stem is forged steel and part of the valve trim. It contains an integral back seat shoulder, which mates with the integral backseat of the bonnet. The stem is designed to the basic dimensional requirements of the applicable specifications such as API 602.
- 9. GLAND AND FLANGE.** The gland, gland flange assembly utilizes a separate, two piece design. This self aligning design allows the flange to be unevenly tightened while the gland maintains its parallel alignment with the stem and stuffing box.
- 10. GLAND BOLTS AND NUTS.** The steel/stainless steel gland bolt and nut assembly is a stud, double nut arrangement. This design allows complete removal from the valve when service is required. The use of industry standard thread full length studs and nuts also allows easy replacement should these items be lost or in need of replacement.
- 11. YOKE SLEEVE.** The yoke sleeve is of forged stainless steel material having a high melting point and is resistant to wear and corrosion.
- 12. HANDWHEEL.** The handwheel is forged carbon steel of an open spoke design. This robust construction along with appropriate sizing allows for ease of operation.

# CRYOGENIC VALVES- GATE TYPE- BOLTED BONNET- FULL & STANDARD PORT

**150 LB.**

**300 LB.**

**Design construction:**

API 602- ASME B16.34- BS 5352- BS 6364

Testing according to API 598

Marking MSS SP25

Outside Screw and Yoke (OS&Y)

Self aligning two piece packing gland

Spiral wound gasket

Integral backseat

Face to face according to ASME B16.10

Flanges according to ASME B16.5

Welded body- bonnet joint also available

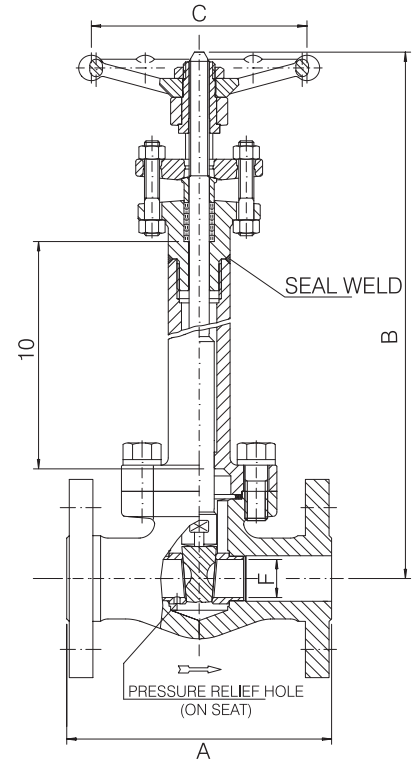
Ratings: stainless steel A182- F316

- class 150 = 275 psig @ 100°F

19 bar + 38°C

- class 300 = 720 psig @ 100°F

49 bar + 38°C



		FULL PORT – FIG. 1C 10					
SIZE	inch	1/2	3/4	1	1 1/2	2	
	mm	15	20	25	40	50	
A	inch	4.25	4.62	5	6.5	7.01	
	mm	108	117.5	127	165	178	
B open	inch	16.93	17.52	18.50	21.06	23.42	
	mm	430	445	470	535	595	
C	inch	3.46	3.82	5.43	5.43	6.77	
	mm	88	97	138	138	172	
F	inch	.55	.71	.94	1.44	1.89	
	mm	14	18	24	36.6	48	
Weight	lb.	10.5	13	19.25	32.5	42	
	kg	4.8	5.9	8.7	14.7	19	
PACKING		BH2	BH4	BH5	BY5	BY7	
GASKET		G2	G3	G4	G7	G8	

		STANDARD PORT – FIG. 1CL 10					
SIZE	inch	1/2	3/4	1	1 1/2	2	
	mm	15	20	25	40	50	
A	inch	4.25	4.62	5	6.5	7.01	
	mm	108	117.5	127	165	178	
B open	inch	16.54	17.13	17.72	20.08	21.06	
	mm	420	435	450	510	535	
C	inch	3.46	3.46	3.82	5.43	5.43	
	mm	88	88	97	138	138	
F	inch	.38	.55	.71	1.18	1.44	
	mm	9.6	14	18	30	36.6	
Weight	lb.	9.5	11.25	14	27.25	35.25	
	kg	4.3	5.1	6.4	12.4	16	
PACKING		BH2	BH2	BH4	BH6	BY5	
GASKET		G2	G2	G3	G5	G7	

		FULL PORT – FIG. 3C 10					
SIZE	inch	1/2	3/4	1	1 1/2	2	
	mm	15	20	25	40	50	
A	inch	5.51	6.00	6.5	7.52	8.50	
	mm	140	152.5	165	191	216	
B open	inch	16.93	17.52	18.50	21.06	23.42	
	mm	430	445	470	535	595	
C	inch	3.46	3.82	5.43	5.43	6.77	
	mm	88	97	138	138	172	
F	inch	.55	.71	.94	1.44	1.89	
	mm	14	18	24	36.6	48	
Weight	lb.	11.25	15.75	21.75	35.25	48.5	
	kg	5.1	7.2	9.9	16	22	
PACKING		BH2	BH4	BH5	BY5	BY7	
GASKET		G2	G3	G4	G7	G8	

		STANDARD PORT – FIG. 3CL 10					
SIZE	inch	1/2	3/4	1	1 1/2	2	
	mm	15	20	25	40	50	
A	inch	5.51	6.00	6.5	7.52	8.50	
	mm	140	152.5	165	191	216	
B open	inch	16.53	17.12	17.72	20.08	21.06	
	mm	420	435	450	510	535	
C	inch	3.46	3.46	3.82	5.43	5.43	
	mm	88	88	97	138	138	
F	inch	.38	.55	.71	1.18	1.44	
	mm	9.6	14	18	30	36.6	
Weight	lb.	11.25	14.25	17.25	33	42	
	kg	5.1	6.5	7.8	15	19	
PACKING		BH2	BH2	BH4	BH6	BY5	
GASKET		G2	G2	G3	G5	G7	



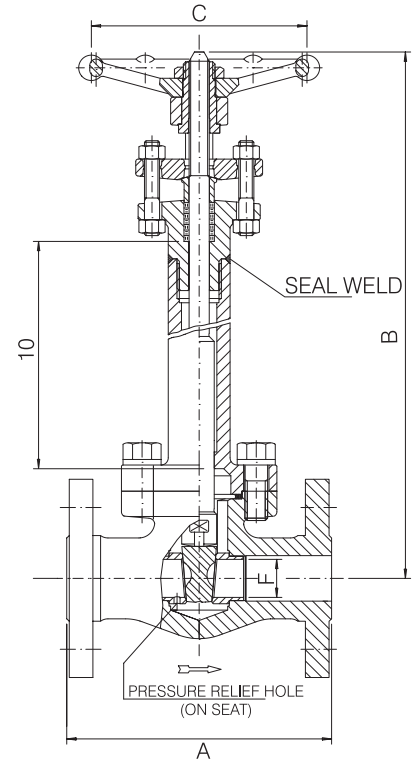
BONNEY FORGE

# CRYOGENIC VALVES- GATE TYPE- BOLTED BONNET- FULL & STANDARD PORT

**600 LB.**

**Design construction:**

- API 602- ASME B16.34- BS 5352- BS 6364
- Testing according to API 598
- Marking MSS SP25
- Outside Screw and Yoke (OS&Y)
- Self aligning two piece packing gland
- Spiral wound gasket
- Integral backseat
- Face to face according to ASME B16.10
- Flanges according to ASME B16.5
- Welded body- bonnet Joint also available
- Ratings: stainless steel A182- F316
- class
- 600 = 1440 psig @ 100°F
- 99 bar + 38°C



	FULL PORT – FIG. 6C 10								STANDARD PORT – FIG. 6CL 10						
	SIZE	inch mm	1/2 15	3/4 20	1 25	1 1/2 40	2 50		SIZE	inch mm	1/2 15	3/4 20	1 25	1 1/2 40	2 50
<b>600 LB.</b>	A	inch mm	6.5 165	7.52 191	8.50 216	9.49 241	11.5 292	<b>600 LB.</b>	A	inch mm	6.5 165	7.52 191	8.50 216	9.49 241	11.5 292
	B open	inch mm	16.93 430	17.52 445	18.50 470	21.06 535	23.42 595		B open	inch mm	16.53 420	17.12 435	17.72 450	20.08 510	21.06 535
	C	inch mm	3.46 88	3.82 97	5.43 138	5.43 138	6.77 172		C	inch mm	3.46 88	3.46 88	3.82 97	5.43 138	5.43 138
	F	inch mm	.55 14	.71 18	.94 24	1.44 36.6	1.89 48		F	inch mm	.38 9.6	.55 14	.71 18	1.18 30	1.44 36.6
	Weight	lb. kg	13.75 6.2	18.5 8.4	23 10.5	44 20	70.5 32		Weight	lb. kg	11.75 5.3	16.25 7.4	21.5 9.8	39.75 18	53 24
	PACKING		BH2	BH4	BH5	BY5	BH8		PACKING		BH2	BH2	BH4	BH6	BY5
	GASKET		G2	G3	G4	G7	G9		GASKET		G2	G2	G3	G6	G7

# **B** CRYOGENIC VALVES- GATE TYPE- BOLTED BONNET- FULL & STANDARD PORT

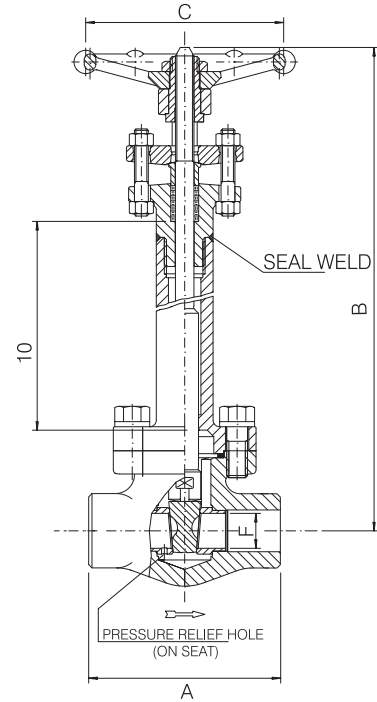
BONNEY FORGE

**800 LB.**

**1500 LB.**

**Design construction:**

- API 602- ASME B16.34- BS 5352- BS 6364
- Testing according to API 598
- Marking MSS SP25
- Outside Screw and Yoke (OS&Y)
- Self aligning two piece packing gland
- Spiral wound gasket
- Integral backseat
- Welded body- bonnet joint also available
- Socket Weld Ends to ASME B16.11
- Screwed Ends (NPT) to ASME B1.20.1
- Butt Welding Ends to ASME B16.25
- Ratings: Stainless steel A182- F316
  - class 800 1920 psig @ 100°F
  - 132 bar + 38°C
  - class 1500 3600 psig @ 100°F
  - 248 bar + 38°C



		FULL PORT – FIG. C 10								
SIZE	inch	1/4	3/8	1/2	3/4	1	1 1/4	1 1/2	2	
	mm	6	10	15	20	25	32	40	50	
A	inch mm	3.15 80	3.15 80	3.54 90	4.33 110	5 127	5 127	5 127	8.27 210	
B open	inch mm	15.75 400	15.75 400	15.75 400	17.52 445	18.70 475	19.88 505	20.87 530	23.54 598	
C	inch mm	3.46 88	3.46 88	3.46 88	3.82 97	5.43 138	5.43 138	5.43 138	6.77 172	
F	inch mm	.31 8	.38 9.6	.55 14	.71 18	.94 24	1.18 30	1.44 36.6	1.89 48	
G	inch mm	1.26 32	1.26 32	1.5 38	1.89 48	2.20 56	2.52 64	3.07 78	3.35 85	
Weight	lb. kg	7.5 3.4	7.5 3.4	7.75 3.5	11.25 5.1	18 8.2	26.5 12	35.25 16	50.75 23	
PACKING		BH2	BH2	BH2	BH4	BH5	BH6	BY5	BH8	
GASKET		G2	G2	G2	G3	G4	G6	G7	G9	

		STANDARD PORT – FIG. CL 10					
SIZE	inch	1/2	3/4	1	1 1/2	2	
	mm	15	20	25	40	50	
A	inch mm	3.15 80	3.54 90	4.33 110	5 127	5 127	
B open	inch mm	15.75 400	15.75 400	17.52 445	19.88 505	20.87 530	
C	inch mm	3.46 88	3.46 88	3.82 97	5.43 138	5.43 138	
F	inch mm	.38 9.6	.55 14	.71 18	1.18 30	1.44 36.6	
G	inch mm	1.26 32	1.5 38	1.89 48	2.52 64	3.07 78	
Weight	lb. kg	7.5 3.4	7.75 3.5	11 5	21 9.6	27.5 12.5	
PACKING		BH2	BH2	BH4	BH6	BY5	
GASKET		G2	G2	G3	G6	G7	

		FULL PORT – FIG. 9C 10								
SIZE	inch	1/4	3/8	1/2	3/4	1	1 1/4	1 1/2	2	
	mm	6	10	15	20	25	32	40	50	
A	inch mm	3.54 90	3.54 90	4.33 110	5 127	5 127	5 127	8.27 210	9.05 230	
B open	inch mm	15.55 395	15.55 395	17.12 435	18.50 470	19.49 495	20.47 520	23.03 585	24.41 620	
C	inch mm	3.46 88	3.46 88	3.82 97	5.43 138	5.43 138	5.43 138	6.77 172	9.21 234	
F	inch mm	.31 8	.38 9.6	.55 14	.71 18	.94 24	1.18 30	1.44 36.6	1.89 48	
G	inch mm	1.5 38	1.5 38	1.89 48	2.20 56	2.52 64	3.07 78	3.35 85	3.74 95	
Weight	lb. kg	7.75 3.5	7.75 3.5	12 5.5	17 7.8	24.25 11	40 14.5	56.5 25.6	94.75 43	
PACKING		BH3	BH3	BH5	BH6	2B4	BY7	2B5	9B8	
GASKET		G1	G1	G2	G3	G4	G5	G7	G8	

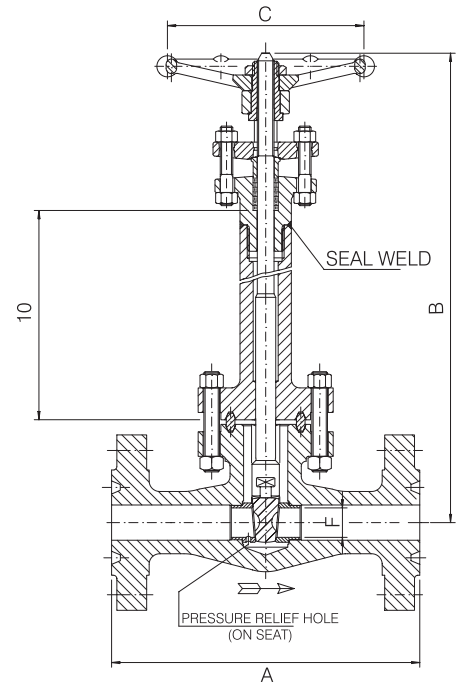
		STANDARD PORT – FIG. 9CL 10					
SIZE	inch	1/2	3/4	1	1 1/2	2	
	mm	15	20	25	40	50	
A	inch mm	3.54 90	4.33 110	5 127	5 127	8.27 210	
B open	inch mm	15.94 405	17.32 440	18.50 470	20.67 525	23.23 590	
C	inch mm	3.46 88	3.82 97	5.43 138	5.43 138	6.77 172	
F	inch mm	.38 9.6	.55 14	.71 18	1.18 30	1.44 36.6	
G	inch mm	1.26 32	1.5 38	1.89 48	2.52 64	3.07 78	
Weight	lb. kg	8 3.7	11.5 5.3	18.75 8.5	30 13.6	57.25 26	
PACKING		BH3	BH5	BH6	2B5	BH8	
GASKET		G1	G2	G3	G5	G7	

# CRYOGENIC VALVES- GATE TYPE- BOLTED BONNET- FULL PORT

**1500 LB.**

**Design construction:**

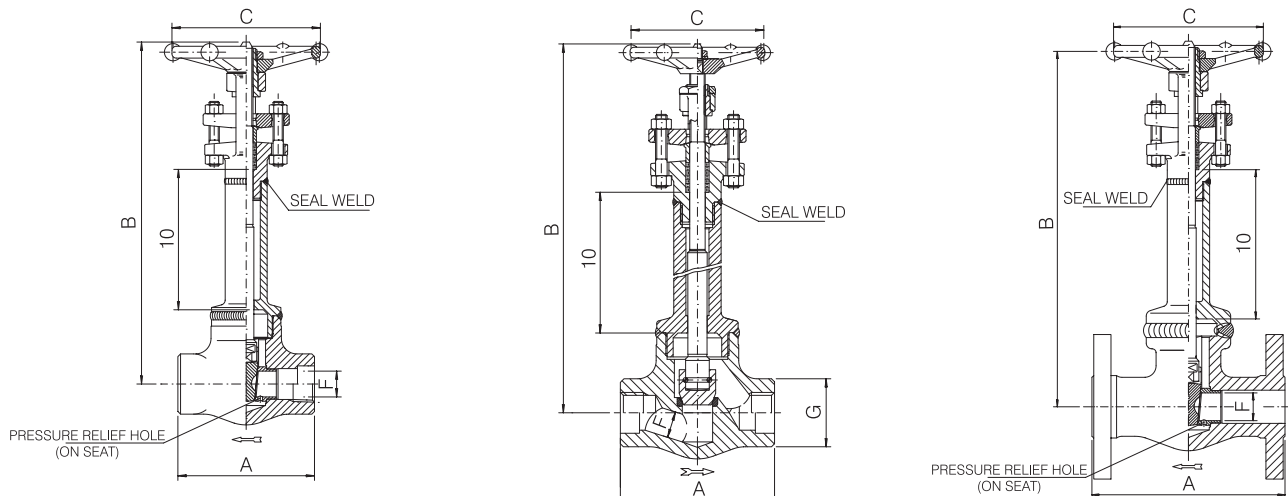
- ASME B16.34- BS 5352
- Full Port type
- Testing according to API 598
- Marking MSS SP25
- Outside Screw and Yoke (OS&Y)
- Self aligning two piece packing gland
- Body bonnet gasket ring joint type
- Spiral wound type gasket on request
- Integral backseat
- Integral body flanges
- Face to face according to ASME B16.10
- Flanges according to ASME B16.5
- Welded body bonnet joint also available
- Ratings: stainless steel A182- F316
- class 1500 3600 psig @ 100°F
- 248 bar + 38°C



FULL PORT – FIG. 15CFR 10						
SIZE	inch mm	1/2 15	3/4 20	1 25	1 1/2 40	2 50
A	inch mm	8.50 216	9.01 229	10 254	12.01 305	14.62 371.5
B open	inch mm	17.91 455	19.29 490	19.68 500	22.64 575	24.80 630
C	inch mm	3.82 97	5.43 138	5.43 138	6.77 172	9.21 234
F	inch mm	.55 14	.71 18	.94 24	1.44 36.6	1.89 48
Weight	lb. kg	22.5 10.2	30.75 14	38.5 17.5	68.25 31	130 59
PACKING		BH5	BH6	2B4	BH8	4B8
GASKET		R12	R16	R16	R20	R22

Materials and trim specifications Page 91

TYPICAL DRAWING FOR GATE AND GLOBE WELDED BONNET CONSTRUCTION

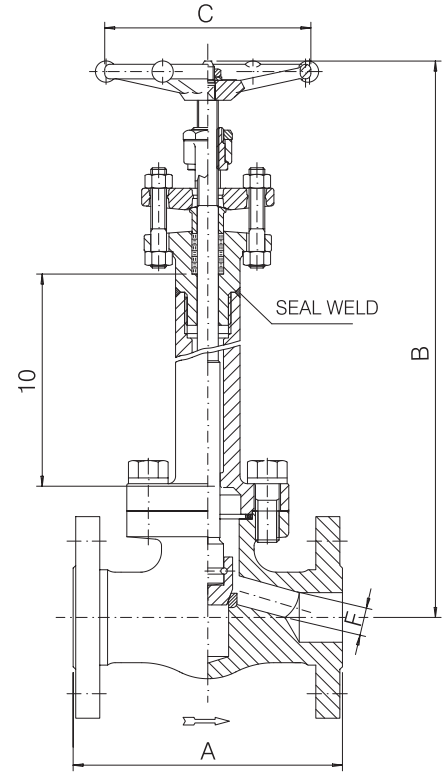


# CRYOGENIC VALVES- GLOBE TYPE- BOLTED BONNET- FULL & STANDARD PORT

**150 LB.**

**300 LB.**

**Design construction:**  
 ASME B16.34- BS 5352- BS 6364  
 Testing according to API 598  
 Marking MSS SP25  
 Outside Screw and Yoke (OS&Y)  
 Self aligning two piece packing gland  
 Spiral wound gasket  
 Integral backseat  
 Loose disc stem assembly  
 Integral body flanges  
 Face to face according to ASME B16.10  
 Flanges according to ASME B16.5  
 Welded body - bonnet joint also available  
 Ratings: stainless steel A182- F316  
 - class 150 275 psig @ 100°F  
     19 bar + 38°C  
 - class 300 720 psig @ 100°F  
     49 bar + 38°C



150 LB.							
FULL PORT – FIG. 1C 30							
SIZE	inch mm	1/2 15	3/4 20	1 25	1 1/2 40	2 50	
A	inch mm	4.25 108	4.62 117.5	5 127	6.5 165	7.99 203	
B open	inch mm	17.52 445	18.50 470	19.68 500	22.05 560	24.80 630	
C	inch mm	3.46 88	3.82 97	5.43 138	5.43 138	6.77 172	
F	inch mm	.51 13	.69 17.5	.88 22.5	1.38 35	1.77 45	
Weight	lb. kg	10.5 4.8	13 5.9	19.25 8.7	32.5 14.7	46.25 21	
PACKING		BH3	BH5	BY5	BY7	BY7	
GASKET		G2	G3	G4	G7	G8	

150 LB.							
STANDARD PORT – FIG. 1CL 30							
SIZE	inch mm	1/2 15	3/4 20	1 25	1 1/2 40	2 50	
A	inch mm	4.25 108	4.62 117.5	5 127	6.5 165	7.99 203	
B open	inch mm	15.16 385	17.12 435	18.11 460	20.27 515	21.46 545	
C	inch mm	3.46 88	3.46 88	3.82 97	5.43 138	6.77 172	
F	inch mm	.35 9	.51 13	.69 17.5	1.16 29.5	1.38 35	
Weight	lb. kg	10 4.6	11.5 5.2	14.75 6.7	27.5 12.5	42 19	
PACKING		BH3	BH3	BH5	BY5	BY7	
GASKET		G2	G2	G3	G5	G8	

300 LB.							
FULL PORT – FIG. 3C 30							
SIZE	inch mm	1/2 15	3/4 20	1 25	1 1/2 40	2 50	
A	inch mm	6.00 152.5	7.01 178	7.99 203	9.01 229	10.51 267	
B open	inch mm	16.53 420	18.11 460	20.08 510	21.65 550	24.01 610	
C	inch mm	3.46 88	3.82 97	5.43 138	6.77 172	6.77 172	
F	inch mm	.51 13	.69 17.5	.88 22.5	1.38 35	1.77 45	
Weight	lb. kg	13.75 6.2	17.5 7.9	26.5 12	46.25 21	68.25 31	
PACKING		BH3	BH5	BY5	BY7	BH8	
GASKET		G2	G3	G4	G7	G9	

300 LB.							
STANDARD PORT – FIG. 3CL 30							
SIZE	inch mm	1/2 15	3/4 20	1 25	1 1/2 40	2 50	
A	inch mm	6.00 152.5	7.01 178	7.99 203	9.01 229	10.51 267	
B open	inch mm	15.35 390	17.32 440	18.90 480	21.26 540	22.24 565	
C	inch mm	3.46 88	3.46 88	3.82 97	5.43 138	6.77 172	
F	inch mm	.35 9	.51 13	.69 17.5	1.16 29.5	1.38 35	
Weight	lb. kg	12.25 5.6	14.75 6.7	21.5 9.8	38.5 17.5	54 24.5	
PACKING		BH3	BH3	BH5	BY5	BY7	
GASKET		G2	G2	G3	G6	G7	



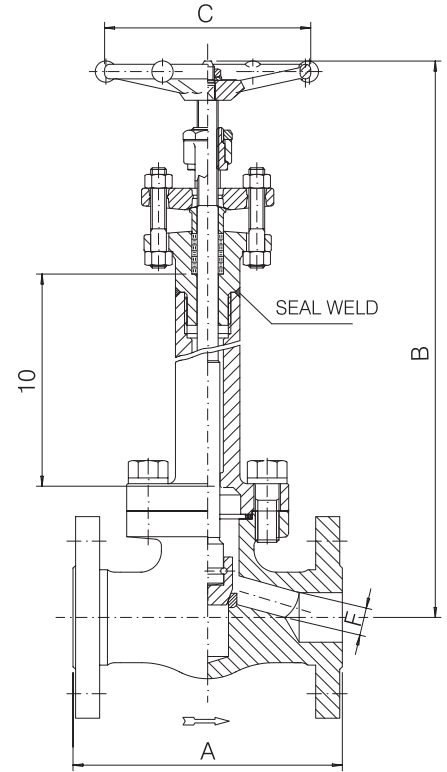
BONNEY FORGE

# CRYOGENIC VALVES- GLOBE TYPE- BOLTED BONNET- FULL & STANDARD PORT

**600 LB.**

**Design construction:**

- ASME B16.34- BS 5352- BS 6364
- Testing according to API 598
- Marking MSS SP25
- Outside Screw and Yoke (OS&Y)
- Self aligning two piece packing gland
- Spiral wound gasket
- Integral backseat
- Loose disc stem assembly
- Integral body flanges
- Face to face according to ASME B16.10
- Flanges according to ASME B16.5
- Welded body - bonnet joint also available
- Ratings: stainless steel A182 - F316
- class 600 1440 psig @ 100°F
- 99 bar + 38°C



	FULL PORT — FIG. 6C 30							STANDARD PORT — FIG. 6CL 30						
	SIZE	inch mm	1/2 15	3/4 20	1 25	1 1/2 40	2 50	SIZE	inch mm	1/2 15	3/4 20	1 25	1 1/2 40	2 50
<b>600 LB.</b>	A	inch mm	6.5 165	7.52 191	8.50 216	9.49 241	11.5 292	A	inch mm	6.5 165	7.52 191	8.50 216	9.49 241	11.5 292
	B open	inch mm	16.53 420	18.11 460	20.08 510	21.65 550	24.01 610	B open	inch mm	15.35 390	17.32 440	18.90 480	21.26 540	22.24 565
	C	inch mm	3.46 88	3.82 97	5.43 138	6.77 172	6.77 172	C	inch mm	3.46 88	3.46 88	3.82 97	5.43 138	6.77 172
	F	inch mm	.51 13	.69 17.5	.88 22.5	1.38 35	1.77 45	F	inch mm	.35 9	.51 13	.69 17.5	1.16 29.5	1.38 35
	Weight	lb. kg	14.25 6.5	19.25 8.7	27.75 12.6	48.5 22	75 34	Weight	lb. kg	13 5.9	16.75 7.6	22.5 10.2	42 19	57.25 26
	PACKING		BH3	BH5	BY5	BY7	BH8	PACKING		BH3	BH3	BH5	BY5	BY7
	GASKET		G2	G3	G4	G7	G9	GASKET		G2	G2	G3	G6	G7



# **B** CRYOGENIC VALVES- GLOBE TYPE- BOLTED BONNET- FULL & STANDARD PORT

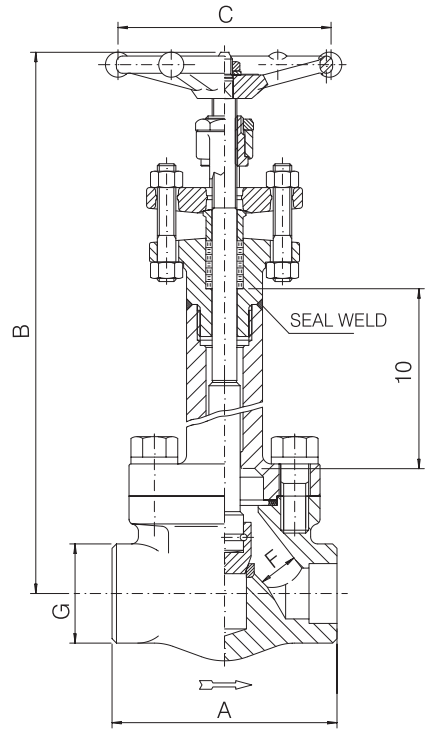
BONNEY FORGE

**800 LB.**

**1500 LB.**

**Design construction:**

- ASME B16.34- BS5352- BS6364
- Testing according to API 598
- Marking MSS SP25
- Outside Screw and Yoke (OS&Y)
- Self aligning two piece packing gland
- Spiral wound gasket
- Integral backseat
- Loose disc stem assembly
- Socket Weld Ends to ASME B16.11
- Screwed Ends (NPT) to ASME B1.20.1
- Butt Welding Ends to ASME B16.25
- Welded body - bonnet joint also available
- Ratings: stainless steel A182- F316
  - class 800 1920 psig @ 100°F  
132 bar + 38°C
  - class 1500 3600 psig @ 100°F  
248 bar + 38°C



		FULL PORT – FIG. C 30								
SIZE	inch	1/4	3/8	1/2	3/4	1	1 1/4	1 1/2	2	
	mm	6	10	15	20	25	32	40	50	
A	inch mm	3.15 80	3.15 80	3.54 90	4.33 110	5 127	5.90 150	7.09 180	8.27 210	
B open	inch mm	16.34 415	16.34 415	16.53 420	18.11 460	19.49 495	19.88 505	21.26 540	24.21 615	
C	inch mm	3.46 88	3.46 88	3.46 88	3.82 97	5.43 138	5.43 138	6.77 172	6.77 172	
F	inch mm	.27 7	.35 9	.51 13	.69 17.5	.88 22.5	1.16 29.5	1.38 35	1.77 45	
G	inch mm	1.26 32	1.26 32	1.5 38	1.89 48	2.20 56	2.52 64	3.07 78	3.35 85	
Weight	lb. kg	7.75 3.5	7.75 3.5	8 3.6	11.25 5.1	18.5 8.4	27.75 12.6	36.25 16.5	53 24	
PACKING		BH3	BH3	BH3	BH5	BY5	BY5	BY7	BH8	
GASKET		G2	G2	G2	G3	G4	G6	G7	G9	

		STANDARD PORT – FIG. CL 30					
SIZE	inch	1/2	3/4	1	1 1/2	2	
	mm	15	20	25	40	50	
A	inch mm	3.15 80	3.54 90	4.33 110	5.90 150	7.09 180	
B open	inch mm	16.34 415	16.53 420	18.11 460	19.92 506	21.26 540	
C	inch mm	3.46 88	3.46 88	3.82 97	5.43 138	6.77 172	
F	inch mm	.35 9	.51 13	.69 17.5	1.16 29.5	1.38 35	
G	inch mm	1.26 32	1.5 38	1.89 48	2.52 64	3.07 78	
Weight	lb. kg	7.25 3.3	8.25 3.8	11.5 5.2	21.5 9.8	32.5 14.8	
PACKING		BH3	BH3	BH5	BY5	BY7	
GASKET		G2	G2	G3	G6	G7	

		FULL PORT – FIG. 9C 30								
SIZE	inch	1/4	3/8	1/2	3/4	1	1 1/4	1 1/2	2	
	mm	6	10	15	20	25	32	40	50	
A	inch mm	3.54 90	3.54 90	4.33 110	5 127	5.90 150	7.09 180	8.27 210	9.05 230	
B open	inch mm	16.14 410	16.14 410	17.91 455	19.49 495	19.68 500	21.26 540	24.21 615	25.39 645	
C	inch mm	3.46 88	3.46 88	3.82 97	5.43 138	5.43 138	6.77 172	6.77 172	9.21 234	
F	inch mm	.27 7	.35 9	.47 12	.59 15	.79 20	1.06 27	1.26 32	1.57 40	
G	inch mm	1.5 38	1.5 38	1.89 48	2.20 56	2.52 64	3.07 78	3.35 85	3.74 95	
Weight	lb. kg	8.75 4	8.75 4	12 5.5	17.5 8	24.25 11	34 15.5	55 25	90.25 41	
PACKING		BH3	BH3	BH5	2B4	2B4	2B5	BH8	9B8	
GASKET		G1	G1	G2	G3	G4	G5	G7	G8	

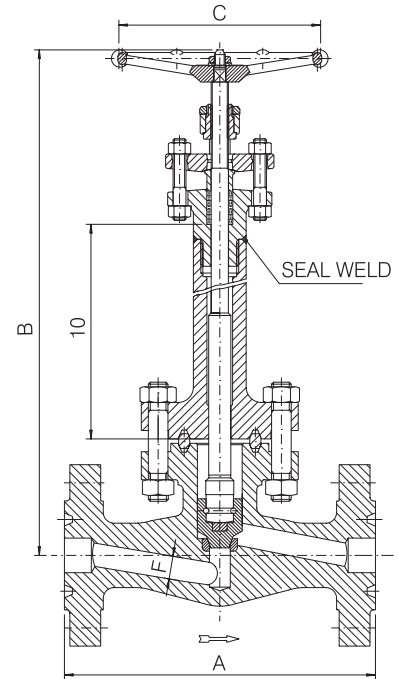
		STANDARD PORT – FIG. 9CL 30					
SIZE	inch	1/2	3/4	1	1 1/2	2	
	mm	15	20	25	40	50	
A	inch mm	3.54 90	4.33 110	5.90 150	7.09 180	8.27 210	
B open	inch mm	16.34 415	17.91 455	19.61 498	21.65 550	24.21 615	
C	inch mm	3.46 88	3.82 97	5.43 138	6.77 172	6.77 172	
F	inch mm	.35 9	.47 12	.59 15	1.06 27	1.26 32	
G	inch mm	1.5 38	1.89 48	2.20 56	3.07 78	3.35 85	
Weight	lb. kg	8 3.7	12 5.4	19.5 8.9	34.75 15.8	60.5 27.5	
PACKING		BH3	BH5	2B4	2B5	BH8	
GASKET		G1	G2	G3	G5	G7	

# CRYOGENIC VALVES- GLOBE TYPE- BOLTED BONNET- FULL PORT

**1500 LB.**

**Design construction:**

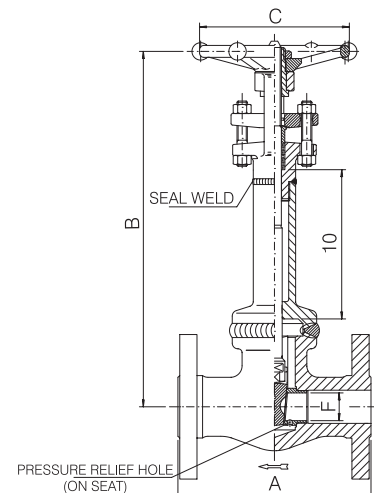
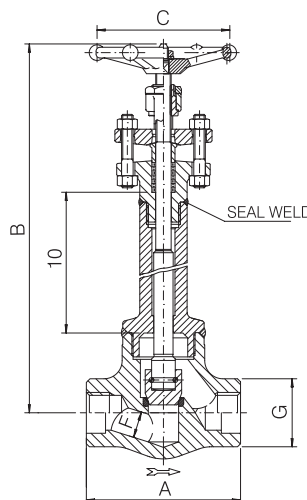
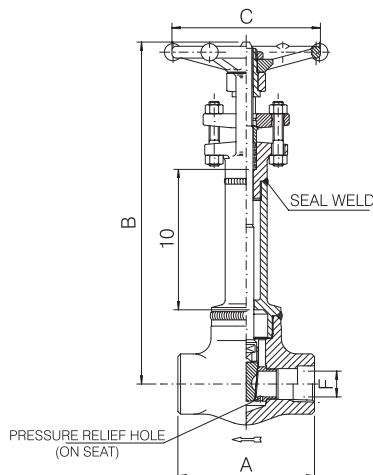
- ASME B16.34- BS 5352- BS6364
- Testing according to API- 598
- Marking MSS- SP25
- Outside Screw and Yoke (OS&Y)
- Self aligning two piece packing gland
- Body bonnet gasket ring joint type
- Spiral wound type gasket on request
- Integral backseat
- Loose disc stem assembly
- Integral body flanges
- Face to face according to ASME B16.10
- Flanges according to ASME B16.5
- Welded body bonnet joint also available
- Full port type
- Ratings: stainless steel A182- F316
- class 1500 3600 psig @ 100°F
- 248 bar + 38°C



FULL PORT – FIG. 15CFR 30						
SIZE	inch mm	1/2 15	3/4 20	1 25	1 1/2 40	2 50
A	inch mm	8.50 216	9.01 229	10 254	12.01 305	14.62 371.5
B open	inch mm	18.50 470	20.08 510	20.67 525	23.42 595	25.59 650
C	inch mm	3.82 97	5.43 138	5.43 138	6.77 172	9.21 234
F	inch mm	.47 12	.57 14.5	.75 19	1.22 31	1.57 40
Weight	lb. kg	23 10,5	30.75 14	40.75 18,5	71.75 32,5	136.75 62
PACKING		BH5	2B4	2B4	BH8	9B8
GASKET		R12	R16	R16	R20	R22

Materials and trim specifications Page 91

TYPICAL DRAWING FOR GATE AND GLOBE WELDED BONNET CONSTRUCTION



---

Overview .....	42
Gate Type- Bolted Bonnet- 150 lb. & 300 lb. valves .....	43
Gate Type- Bolted Bonnet- 600 lb. valves.....	44
Gate Type- Bolted Bonnet- 1500 lb. valves.....	45
Gate Type- Bolted Bonnet- 2500 lb. valves.....	46
Globe Type- Bolted Bonnet- 150 lb. & 300 lb. valves .....	47
Globe Type- Bolted Bonnet- 600 lb. valves.....	48
Globe Type- Bolted Bonnet- 1500 lb. valves.....	49
Globe Type- Bolted Bonnet- 2500 lb. valves.....	50
Check Type- Bolted Bonnet- 150 lb. & 300 lb. valves .....	51
Check Type- Bolted Bonnet- 600 lb. valves .....	52
Check Type- Bolted Bonnet- 1500 lb. valves .....	53
Check Type- Bolted Bonnet- 2500 lb. valves .....	54

---

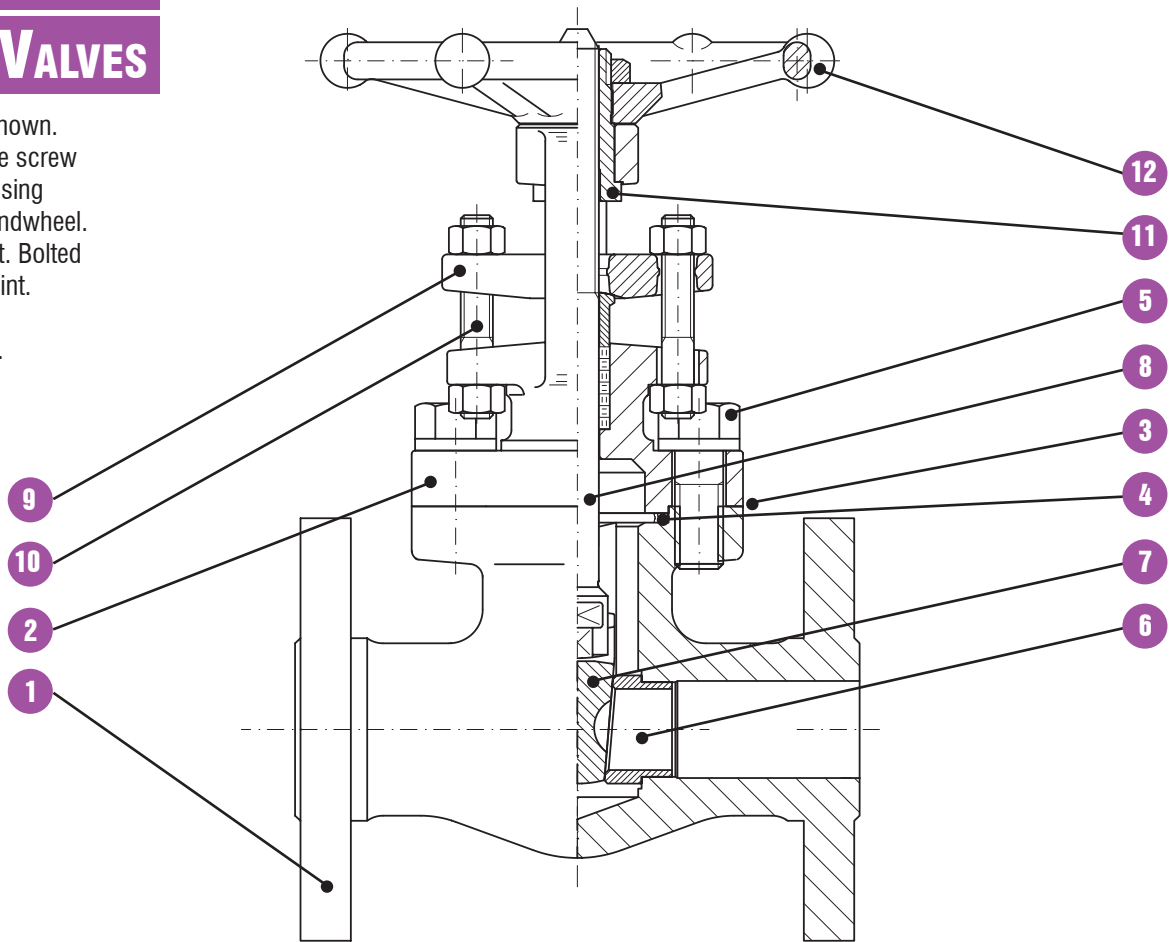
# INTEGRAL FLANGED VALVES

---



# INTEGRAL FLANGED VALVES

Typical gate valve shown.  
 Forged steel, outside screw  
 and yoke (OS&Y), rising  
 stem, non-rising handwheel.  
 Full or standard port. Bolted  
 or welded bonnet joint.  
 Integral backseat  
 Integral end flanges.



- 1. BODY.** The body is forged steel and designed to the basic dimensional requirements of the applicable specifications such as API 602, ASME B16.34, ASME B16.10 and ASME B16.5. The body is available in both the full or standard port design. End flanges are forged integral with the body.
- 2. BONNET.** The bonnet is forged steel, has an integral backseat and incorporates the stuffing box, which has dimensions per the applicable specifications such as API 602.
- 3. BODY-BONNET JOINT.** Two different bonnet joint designs are available. These are either the bolted bonnet or the threaded and seal welded type.
- 4. GASKET.** The bolted bonnet joint design valve uses a contained, controlled compression, spiral wound type gasket.
- 5. BONNET BOLTING.** The bonnet bolting is manufactured of alloy steel in accordance with the requirements of the applicable specifications such as API 602 and ASME B16.34.
- 6. SEAT RINGS.** The seat rings are steel and make up part of the valve trim. They are pressed into the valve body and wedged into place, forming a seal with the body. The seating surfaces are ground and lapped.
- 7. WEDGE.** The wedge, which is a solid design, is forged or investment cast steel and is part of the valve trim. The seating surfaces are ground and lapped.
- 8. STEM.** The stem is forged steel and part of the valve trim. It contains an integral back seat shoulder, which mates with the integral backseat of the bonnet. The stem is designed to the basic dimensional requirements of the applicable specifications such as API 602.
- 9. GLAND AND FLANGE.** The gland, gland flange assembly utilizes a separate, two piece design. This self aligning design allows the flange to be unevenly tightened while the gland maintains its parallel alignment with the stem and stuffing box.
- 10. GLAND BOLTS AND NUTS.** The steel/stainless steel gland bolt and nut assembly is a stud, double nut arrangement. This design allows complete removal from the valve when service is required. The use of industry standard thread full length studs and nuts also allows easy replacement should these items be lost or in need of replacement.
- 11. YOKE SLEEVE.** The yoke sleeve is of forged stainless steel material having a high melting point and is resistant to wear and corrosion.
- 12. HANDWHEEL.** The handwheel is forged carbon steel of an open spoke design. This robust construction along with appropriate sizing allows for ease of operation.

# **B** INTEGRAL FLANGED VALVES- GATE TYPE- BOLTED BONNET- FULL & STANDARD PORT

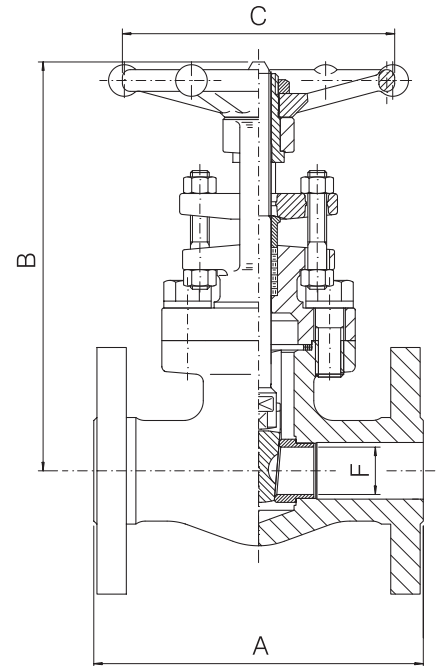
BONNEY FORGE

**150 LB.**

**300 LB.**

**Design construction:**

- API 602 - ASME B16.34 - BS 5352
- Testing according to API 598
- Marking MSS SP25
- Outside Screw and Yoke (OS&Y)
- Self aligning two piece packing gland
- Spiral-wound gasket
- Integral backseat
- Integral body flanges
- Face to face according to ASME B16.10
- Flanges according to ASME B16.5
- Ratings:
- carbon steel class 150 285 psig@ 100°F  
20 bar + 38°C
- carbon steel class 300 740 psig@ 100°F  
51 bar + 38°C



		FULL PORT – FIG. 1 10					
SIZE	inch	1/2	3/4	1	1 1/2	2	
	mm	15	20	25	40	50	
A	inch	4.25	4.62	5	6.50	7	
	mm	108	117.5	127	165	178	
B open	inch	6.88	8.26	9.05	11.41	13.39	
	mm	175	210	230	290	340	
C	inch	3.46	3.82	5.43	5.43	6.77	
	mm	88	97	138	138	172	
F	inch	.55	.71	.94	1.44	1.89	
	mm	14	18	24	36.6	48	
Weight	lb.	7	10.25	13.25	25	39.5	
	kg	3.2	4.7	6.1	11.4	18	
PACKING		BH2	BH4	BH5	BY5	BY7	
GASKET		G2	G3	G4	G7	G8	

		STANDARD PORT – FIG. L1 10							
SIZE	inch	1/2	3/4	1	1 1/2	2	3		
	mm	15	20	25	40	50	75		
A	inch	4.25	4.62	5	6.50	7	8		
	mm	108	117.5	127	165	178	203		
B open	inch	6.88	7.16	8.35	10.04	11.41	13.58		
	mm	175	182	212	255	290	345		
C	inch	3.46	3.46	3.82	5.43	5.43	6.77		
	mm	88	88	97	138	138	172		
F	inch	.38	.55	.71	1.18	1.44	1.89		
	mm	9.6	14	18	30	36.6	48		
Weight	lb.	6.25	8	11.25	21	29	46.75		
	kg	2.9	3.7	5.2	9.6	13.2	21.2		
PACKING		BH2	BH2	BH4	BH6	BY5	BH8		
GASKET		G2	G2	G3	G5	G7	G8		

		FULL PORT – FIG. 3 10					
SIZE	inch	1/2	3/4	1	1 1/2	2	
	mm	15	20	25	40	50	
A	inch	5.51	6	6.50	7.51	8.50	
	mm	140	152.5	165	191	216	
B open	inch	6.89	8.26	9.05	11.42	13.39	
	mm	175	210	230	290	340	
C	inch	3.46	3.82	5.43	5.43	6.77	
	mm	88	97	138	138	172	
F	inch	.55	.71	.94	1.44	1.89	
	mm	14	18	24	36.6	48	
Weight	lb.	8.25	12.25	15.5	29.75	41.75	
	kg	3.8	5.6	7.1	13.5	19	
PACKING		BH2	BH4	BH5	BY5	BY7	
GASKET		G2	G3	G4	G7	G8	

		STANDARD PORT – FIG. L3 10					
SIZE	inch	1/2	3/4	1	1 1/2	2	
	mm	15	20	25	40	50	
A	inch	5.51	6	6.50	7.51	8.5	
	mm	140	152.5	165	191	216	
B open	inch	6.89	7.17	8.35	9.84	11.42	
	mm	175	182	212	250	290	
C	inch	3.46	3.46	3.82	5.43	5.43	
	mm	88	88	97	138	138	
F	inch	.38	.55	.71	1.18	1.44	
	mm	9.6	14	18	30	36.6	
Weight	lb.	7.75	11.25	14.75	28.5	33.5	
	kg	3.6	5.2	6.7	13	15.3	
PACKING		BH2	BH2	BH4	BH6	BY5	
GASKET		G2	G2	G3	G5	G7	



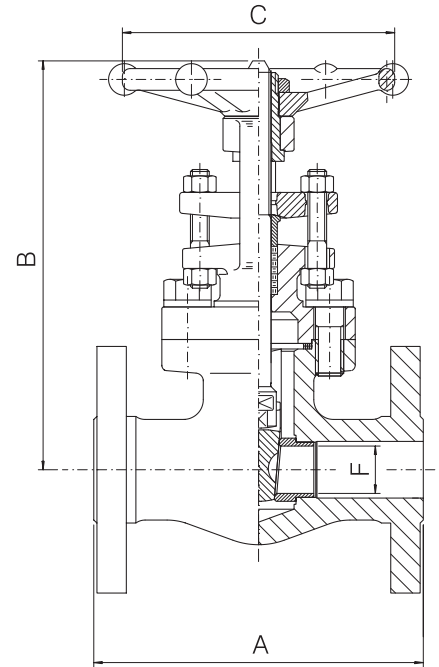
# INTEGRAL FLANGED VALVES- GATE TYPE- BOLTED BONNET- FULL & STANDARD PORT

## 600 LB.

**Design construction:**

- API 602 - ASME B16.34 - BS 5352
- Testing according to API 598
- Marking MSS SP25
- Outside Screw and Yoke (OS&Y)
- Self-aligning two piece packing gland
- Spiral-wound gasket
- Integral backseat
- Integral body flanges
- Face to face according to ASME B16.10
- Flanges according to ASME B16.5
- Ratings:

  - carbon steel class 600      1480 psig @ 100°F
  - 102 bar + 38°C



600 LB.								FULL PORT - FIG. 6 10						
SIZE		inch	1/2	3/4	1	1 1/2	2							
		mm	15	20	25	40	50							
A	inch	6.50	7.51	8.50	9.50	11.50								
	mm	165	191	216	241	292								
B open	inch	6.89	8.46	9.45	11.62	14.17								
	mm	175	215	240	295	360								
C	inch	3.46	3.82	5.43	5.43	6.77								
	mm	88	97	138	138	172								
F	inch	.55	.71	.94	1.44	1.88								
	mm	14	18	24	36.6	48								
Weight	lb.	9.25	15.25	22	39.5	63.5								
	kg	4,3	7	10	18	28								
PACKING			BH2	BH4	BH5	BY5	BH8							
GASKET			G2	G3	G4	G7	G9							

600 LB.								STANDARD PORT - FIG. L6 10						
SIZE		inch	1/2	3/4	1	1 1/2	2							
		mm	15	20	25	40	50							
A	inch	6.50	7.51	8.50	9.50	11.50								
	mm	165	191	216	241	292								
B open	inch	6.65	7.28	8.46	10.04	12.01								
	mm	169	185	215	255	305								
C	inch	3.46	3.46	3.82	5.43	5.43								
	mm	88	88	97	138	138								
F	inch	.38	.55	.71	1.18	1.44								
	mm	9.6	14	18	30	36.6								
Weight	lb.	9.25	15.25	22	39.5	63.5								
	kg	4,3	7	10	18	28								
PACKING			BH2	BH2	BH4	BH6	BY5							
GASKET			G2	G2	G3	G6	G7							



BONNEY FORGE

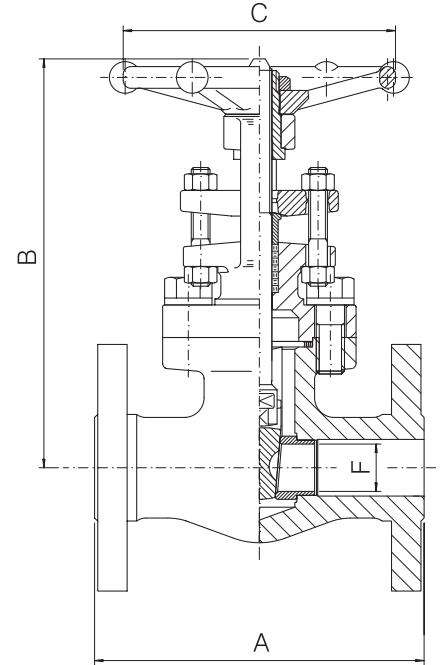
# INTEGRAL FLANGED VALVES- GATE TYPE- BOLTED BONNET- FULL PORT

**1500 LB.**

**Design construction:**

- ASME B16.34 - BS 5352
- Full port type
- Testing according to API 598
- Marking MSS SP25
- Outside Screw and Yoke (OS&Y)
- Self aligning two piece packing gland
- Spiral wound gasket
- Integral backseat
- Integral body flanges
- Face to face according to ASME B16.10
- Flanges according to ASME B16.5
- Ring joint type gasket available on request

Ratings:  
 - carbon steel class 1500      3705 psig @ 100°F  
    255 bar + 38°C



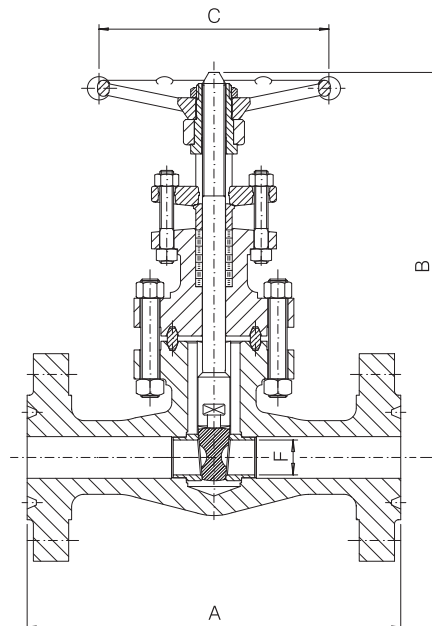
FULL PORT – FIG. 15F 10						
SIZE	inch	1/2	3/4	1	1 1/2	2
	mm	15	20	25	40	50
A	inch	8.50	9.02	10	12.01	14.5
	mm	216	229	254	305	368.5
B open	inch	8.46	9.84	10.63	13.78	17.52
	mm	215	250	270	350	445
C	inch	3.82	5.43	5.43	6.77	9.21
	mm	97	138	138	172	234
F	inch	.55	.71	.94	1.44	1.89
	mm	14	18	24	36.6	48
Weight	lb.	18	28.5	35.5	63.75	121.25
	kg	8,2	13	16,2	29	55
PACKING		BH5	BH6	2B4	BH8	9B8
GASKET		G2	G3	G4	G7	G8



BONNEY FORGE

# INTEGRAL FLANGED VALVES- GATE TYPE- BOLTED BONNET- FULL PORT

## 2500 LB.



**Design construction:**

ASME B16.34 - BS 5352

Full port type

Testing according to API 598

Marking MSS SP25

Outside Screw and Yoke (OS&Y)

Self aligning two piece packing gland

Body Bonnet Gasket ring joint type

Spiral wound type gasket on request

Integral backseat

Integral body flanges

Face to face according to ASME B16.10

Flanges according to ASME B16.5

Ratings:

- carbon steel class 2500    6170 psig @ 100°F  
   425 bar + 38°C

FULL PORT – FIG. 25RR 10						
SIZE	inch	1/2	3/4	1	1 1/2	2
	mm	15	20	25	40	50
A	inch	10.39	10.75	12.13	15.25	17.87
	mm	264	273	308	387,5	454
B open	inch	11.10	11.42	13.19	15.98	16.34
	mm	282	290	335	406	415
C	inch	5.43	5.43	6.77	9.21	12.60
	mm	138	138	172	234	320
F	inch	.45	.59	.76	1.10	1.50
	mm	11,5	15	19,5	28	38
Weight	lb.	35.5	38.75	63.75	132.25	143.25
	kg	16,2	17,6	29	60	65
PACKING		2B4	2B4	BH8	2B8	25B8
GASKET		R16	R16	R16	R19	R22



# INTEGRAL FLANGED VALVES- GLOBE TYPE- BOLTED BONNET- FULL & STANDARD PORT

**150 LB.**

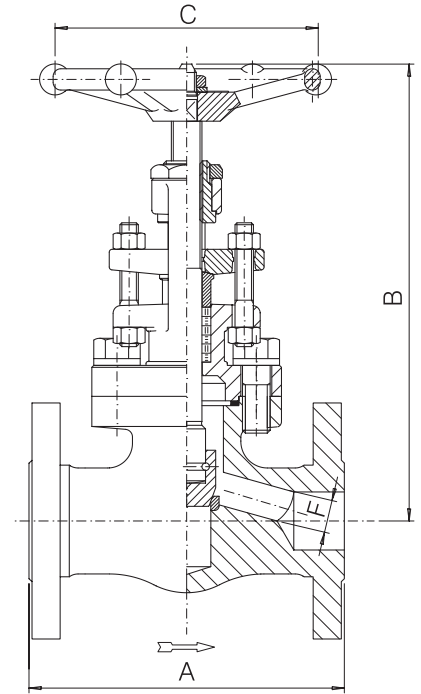
**300 LB.**

**Design construction:**

ASME B16.34 - BS 5352  
 Testing according to API 598  
 Marking MSS SP25  
 Outside Screw and Yoke (OS&Y)  
 Loose disc stem assembly  
 Self aligning two piece packing gland  
 Spiral wound gasket  
 Integral backseat  
 Integral body flanges  
 Face to face according to ASME B16.10  
 Flanges according to ASME B16.5

**Ratings:**

- carbon steel class 150     285 psig @ 100°F  
    20 bar + 38°C  
 - carbon steel class 300     740 psig @ 100°F  
    51 bar + 38°C



150 LB.	FULL PORT – FIG. 1 30						
	SIZE	inch mm	1/2 15	3/4 20	1 25	1 1/2 40	2 50
A	inch mm	4.25 108	4.62 117,5	5 127	6.50 165	8 203	
B open	inch mm	7.72 196	9.05 230	10.55 268	12.40 315	13.19 335	
C	inch mm	3.46 88	3.82 97	5.43 138	6.77 172	6.77 172	
F	inch mm	.51 13	.68 17,5	.88 22,5	1.38 35	1.77 45	
Weight	lb. kg	8.25 3,8	14 6,4	19 8,7	36.25 16,5	55 25	
PACKING		BH3	BH5	BY5	BY7	BY7	
GASKET		G2	G3	G4	G7	G8	

150 LB.	STANDARD PORT – FIG. L1 30						
	SIZE	inch mm	1/2 15	3/4 20	1 25	1 1/2 40	2 50
A	inch mm	4.25 108	4.62 117,5	5 127	6.50 165	8 203	
B open	inch mm	7.72 196	7.72 196	8.90 226	10.75 273	11.81 300	
C	inch mm	3.46 88	3.46 88	3.82 97	5.43 138	6.77 172	
F	inch mm	.35 9	.51 13	.68 17,5	1.16 29,5	1.38 35	
Weight	lb. kg	6.5 3	8.25 3,8	12 5,5	22.5 10,3	34.75 15,8	
PACKING		BH3	BH3	BH5	BY5	BY7	
GASKET		G2	G2	G3	G5	G8	

300 LB.	FULL PORT – FIG. 3 30						
	SIZE	inch mm	1/2 15	3/4 20	1 25	1 1/2 40	2 50
A	inch mm	6 152,5	7 178	8 203	9.02 229	10.51 267	
B open	inch mm	7.72 196	9.05 230	10.55 268	12.40 315	13.19 335	
C	inch mm	3.46 88	3.82 97	5.43 138	6.77 172	6.77 172	
F	inch mm	.51 13	.68 17,5	.88 22,5	1.38 35	1.77 45	
Weight	lb. kg	9 4,1	15.25 7	21.25 9,7	40.75 18,5	61.5 28	
PACKING		BH3	BH5	BY5	BY7	BH8	
GASKET		G2	G3	G4	G7	G9	

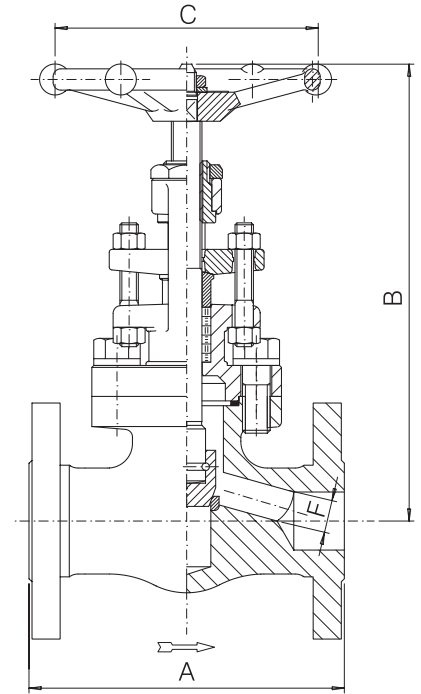
300 LB.	STANDARD PORT – FIG. L3 30						
	SIZE	inch mm	1/2 15	3/4 20	1 25	1 1/2 40	2 50
A	inch mm	6 152,5	7 178	8 203	9.02 229	10.51 267	
B open	inch mm	7.72 196	7.95 202	8.90 226	10.63 270	12.64 321	
C	inch mm	3.46 88	3.46 88	3.82 97	5.43 138	6.77 172	
F	inch mm	.35 9	.51 13	.68 17,5	1.16 29,5	1.38 35	
Weight	lb. kg	9 4,1	13 6	18.25 8,3	36.25 15,5	47.25 21,5	
PACKING		BH3	BH3	BH5	BY5	BY7	
GASKET		G2	G2	G3	G6	G7	



BONNEY FORGE

# INTEGRAL FLANGED VALVES- GLOBE TYPE- BOLTED BONNET- FULL & STANDARD PORT

**600 LB.**



**Design construction:**

- ASME B16.34 - BS 5352
- Testing according to API 598
- Marking MSS SP25
- Loose disc stem assembly
- Outside Screw and Yoke (OS&Y)
- Self aligning two piece packing gland
- Spiral wound gasket
- Integral backseat
- Integral body flanges
- Face to face according to ASME B16.10
- Flanges according to ASME B16.5

Ratings:  
 - carbon steel class 600    1480 psig @ 100°F  
     102 bar + 38°C

600 LB.							FULL PORT – FIG. 6 30						
SIZE	inch mm	1/2 15	3/4 20	1 25	1 1/2 40	2 50							
A	inch mm	6.50 165	7.51 191	8.50 216	9.50 241	11.50 292							
B open	inch mm	7.72 196	9.06 230	10.55 268	12.40 315	14.57 370							
C	inch mm	3.46 88	3.82 97	5.43 138	6.77 172	6.77 172							
F	inch mm	.51 13	.68 17,5	.88 22,5	1.38 35	1.77 45							
Weight	lb. kg	13 5,9	17,5 8	23 10,5	43 19,5	62,75 28,5							
PACKING		BH3	BH5	BY5	BY7	BH8							
GASKET		G2	G3	G4	G7	G9							

600 LB.							STANDARD PORT – FIG. L6 30						
SIZE	inch mm	1/2 15	3/4 20	1 25	1 1/2 40	2 50							
A	inch mm	6.50 165	7.51 191	8.50 216	9.50 241	11.50 292							
B open	inch mm	7.72 196	7.95 202	9.21 234	10.63 270	12.64 321							
C	inch mm	3.46 88	3.46 88	3.82 97	5.43 138	6.77 172							
F	inch mm	.35 9	.51 13	.67 17,5	1.16 29,5	1.38 35							
Weight	lb. kg	9.5 4,4	13,5 6,2	19 8,7	36,25 16,5	52 23,6							
PACKING		BH3	BH3	BH5	BY5	BY7							
GASKET		G2	G2	G3	G6	G7							



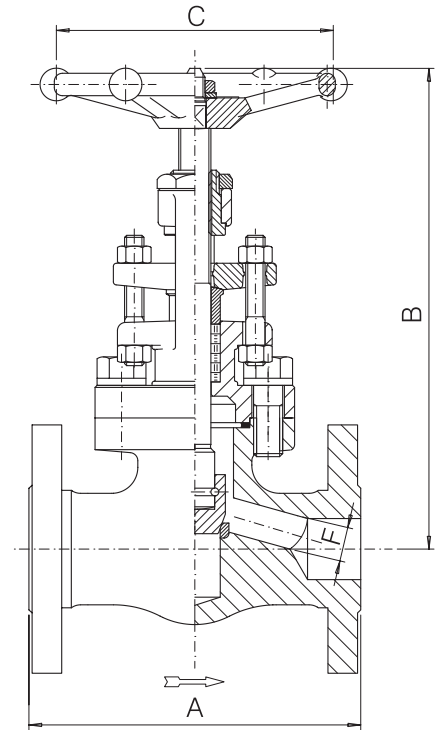
BONNEY FORGE

# INTEGRAL FLANGED VALVES- GLOBE TYPE- BOLTED BONNET- FULL PORT

## 1500 LB.

**Design construction:**

- ASME B16.34 - BS 5352
- Full port type
- Testing according to API 598
- Marking MSS SP25
- Outside Screw and Yoke (OS&Y)
- Loose Disc Stem Assembly
- Ring joint type gasket available on request
- Self aligning two piece packing gland
- Spiral wound gasket
- Integral backseat
- Integral body flanges
- Face to face according to ASME B16.10
- Flanges according to ASME B16.5
- Ratings:
  - carbon steel class 1500    3705 psig @ 100°F
  - 255 bar + 38°C



FULL PORT – FIG. 15F 30						
SIZE	inch	1/2	3/4	1	1 1/2	2
	mm	15	20	25	40	50
A	inch	8.50	9.02	10	12.01	14.51
	mm	216	229	254	305	368.5
B open	inch	9.45	11.02	11.61	14.57	18.31
	mm	240	280	295	370	465
C	inch	3.82	5.43	6.77	6.77	9.21
	mm	97	138	172	172	234
F	inch	.47	.57	.75	1.22	1.57
	mm	12	14.5	19	31	40
Weight	lb.	18.5	28.25	37.25	66	127.75
	kg	8,5	12,9	17	30	58
PACKING		BH5	2B4	2B4	BH8	9B8
GASKET		G2	G3	G4	G7	G8



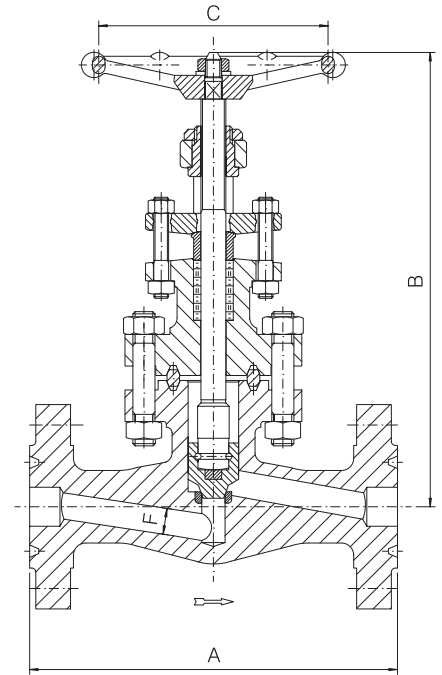
BONNEY FORGE

# INTEGRAL FLANGED VALVES- GLOBE TYPE- BOLTED BONNET- FULL PORT

## 2500 LB.

### Design construction:

- ASME B16.34 - BS 5352
- Full port type
- Testing according to API 598
- Marking MSS SP25
- Outside Screw and Yoke (OS&Y)
- Loose Disc Stem Assembly
- Body Bonnet Gasket ring joint type
- Spiral wound type gasket on request
- Self aligning two piece packing gland
- Integral backseat
- Integral body flanges
- Face to face according to ASME B16.10
- Flanges according to ASME B16.5
- Ratings:
  - carbon steel class 2500 6170 psig @ 100°F
  - 425 bar + 38°C



FULL PORT – FIG. 25FR 30						
SIZE	inch	1/2	3/4	1	1 1/2	2
	mm	15	20	25	40	50
A	inch	10.39	10.75	12.13	15.25	17.87
	mm	264	273	308	387,5	454
B open	inch	12.20	12.40	13.78	17.72	18.11
	mm	310	315	350	450	460
C	inch	5.43	5.43	6.77	9.21	12.6
	mm	138	138	172	234	320
F	inch	.43	.57	.75	1.10	1.38
	mm	11	14,5	19	28	35
Weight	lb.	36,25	40,75	66	135,5	147,5
	kg	16,5	18,5	30	61,5	67
PACKING		2B4	2B4	BH8	9B8	4B8
GASKET		R16	R16	R16	R19	R20

# INTEGRAL FLANGED VALVES- CHECKTYPE- BOLTED BONNET- FULL & STANDARD PORT

BONNEY FORGE

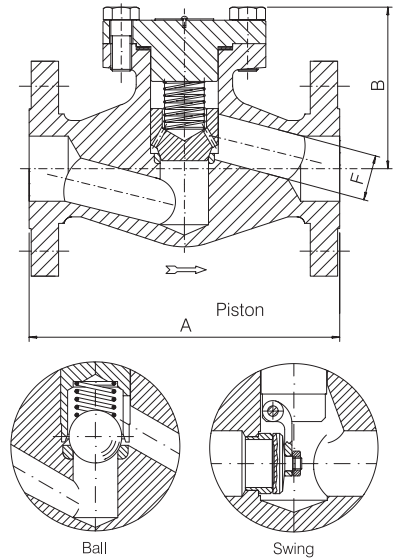
**150 LB.**

**300 LB.**

**Design construction:**

ASME B16.34 - BS 5352  
 Testing according to API 598  
 Marking MSS SP25  
 Spring available on request for Piston  
 and Ball Check Valves  
 Spiral wound gasket  
 Integral body flanges  
 Face to face according to ASME B16.10  
 Flanges according to ASME B16.5  
 Ratings:

- carbon steel class 150      285 psig @ 100°F  
     20 bar + 38°C  
 - carbon steel class 300      740 psig @ 100°F  
     51 bar + 38°C



**150 LB. FULL PORT – FIG. 1 40, 1 50, 1 60**

SIZE	inch mm	1/2 15	3/4 20	1 25	1 1/2 40	2 50
A	inch mm	4.25 108	4.62 117,5	5 127	6.50 165	8 203
B	inch mm	2.95 75	3.35 85	3.94 100	4.92 125	5.51 140
F Piston/ F Ball	inch mm	.51 13	.68 17,5	.88 22,5	1.38 35	1.77 45
F Swing	inch mm	.55 14	.71 18	.94 24	1.46 36,6	1.89 48
Weight	lb. kg	6 2,8	7.75 3,6	11.25 5,2	22 10	35.25 16
GASKET		G2	G3	G4	G7	G8

**150 LB. STANDARD PORT – FIG. L1 40, L1 50, L1 60**

SIZE	inch mm	1/2 15	3/4 20	1 25	1 1/2 40	2 50
A	inch mm	4.25 108	4.62 117,5	5 127	6.50 165	8 203
B	inch mm	2.95 75	2.95 75	3.35 85	4.33 110	4.92 125
F Piston/ F Ball	inch mm	.35 9	.51 13	.68 17,5	1.16 29,5	1.38 35
F Swing	inch mm	.39 9,6	.55 14	.68 17,5	1.16 29,5	1.46 36,6
Weight Piston/ Weight Ball	lb. kg	5 2,3	6.75 3,1	9.75 4,5	18,5 8,4	30.75 14
Weight Swing	lb. kg	4.75 2,2	6.75 3,1	9.5 4,4	18,25 8,3	28,5 13
GASKET		G2	G2	G3	G5	G8

**300 LB. FULL PORT – FIG. 3 40, 3 50, 3 60**

SIZE	inch mm	1/2 15	3/4 20	1 25	1 1/2 40	2 50
A	inch mm	6 152,5	7 178	8* 203*	9.02* 229*	10.51 267
B	inch mm	2.95 75	3.54 90	3.94 100	4.72 120	5.91 150
F Piston/ F Ball	inch mm	.51 13	.68 17,5	.88 22,5	1.38 35	1.77 45
F Swing	inch mm	.55 14	.71 18	.94 24	1.46 36,6	1.89 48
Weight	lb. kg	7.75 3,6	14 6,4	18 8,2	33 15	46.25 21
GASKET		G2	G3	G4	G7	G9

**300 LB. STANDARD PORT – FIG. L3 40, L3 50, L3 60**

SIZE	inch mm	1/2 15	3/4 20	1 25	1 1/2 40	2 50
A	inch mm	6 152,5	7 178	8* 203*	9.02* 229*	10.51 267
B	inch mm	2.95 75	3.15 80	3.46 88	4.53 115	5.12 130
F Piston/ F Ball	inch mm	.35 9	.51 13	.68 17,5	1.16 29,5	1.38 35
F Swing	inch mm	.39 9,6	.55 14	.68 17,5	1.16 29,5	1.46 36,6
Weight Piston/ Weight Ball	lb. kg	7.5 3,4	11.5 5,3	16.5 7,5	30.75 14	41.75 19
Weight Swing	lb. kg	7.25 3,3	11.25 5,2	16.25 7,4	29.75 13,5	39.5 18
GASKET		G2	G2	G3	G6	G7



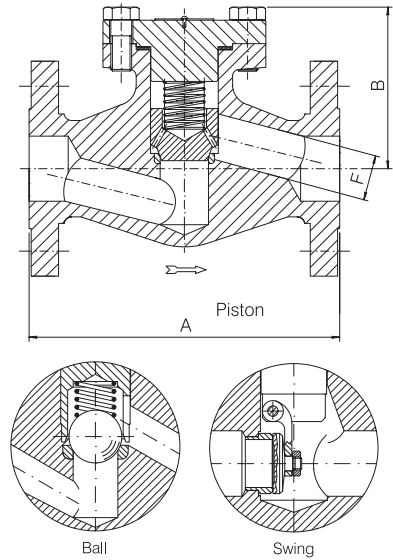
BONNEY FORGE

# INTEGRAL FLANGED VALVES- CHECK TYPE- BOLTED BONNET- FULL & STANDARD PORT

**600 LB.**

**Design construction:**

- ASME B16.34 - BS 5352
- Testing according to API 598
- Marking MSS SP25
- Spring available on request for Piston and Ball Check Valves
- Spiral wound gasket
- Integral body flanges
- Face to face according to ASME B16.10
- Flanges according to ASME B16.5
- Ratings:
- carbon steel class 600      1480 psig @ 100°F
- 102 bar + 38°C



600 LB.						
FULL PORT – FIG. 6 40, 6 50, 6 60						
SIZE	inch mm	1/2 15	3/4 20	1 25	1 1/2 40	2 50
A	inch mm	6.50 165	7.51 191	8.50 216	9.50 241	11.50 292
B	inch mm	2.95 75	3.54 90	3.94 100	4.72 120	5.91 150
F Piston/ F Ball	inch mm	.51 13	.68 17,5	.88 22,5	1.38 35	1.77 45
F Swing	inch mm	.55 14	.71 18	.94 24	1.46 36,6	1.89 48
Weight	lb. kg	8,25 3,8	14,25 6,5	18,5 8,5	35,25 16	50,5 23
GASKET		G2	G3	G4	G7	G9

600 LB.						
STANDARD PORT – FIG. L6 40, L6 50, L6 60						
SIZE	inch mm	1/2 15	3/4 20	1 25	1 1/2 40	2 50
A	inch mm	6.50 165	7.51 191	8.50 216	9.50 241	11.50 292
B	inch mm	2.83 72	3.15 80	3.35 85	4.53 115	5.12 130
F Piston/ F Ball	inch mm	.35 9	.51 13	.68 17,5	1.16 29,5	1.38 35
F Swing	inch mm	.39 9,6	.55 14	.68 17,5	1.16 29,5	1.46 36,6
Weight	lb. kg	7,5 3,5	12,5 5,7	17,5 8	31,75 14,5	43 19,5
GASKET		G2	G2	G3	G6	G7

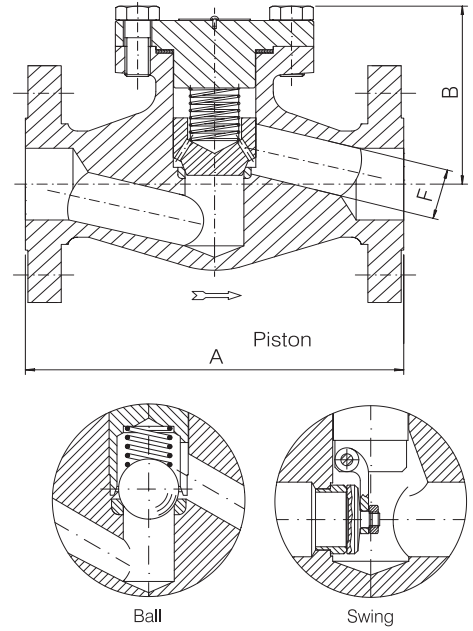
# **B** INTEGRAL FLANGED VALVES- CHECK TYPE- BOLTED BONNET- FULL PORT

BONNEY FORGE

**1500 LB.**

**Design construction:**

ASME B16.34 - BS 5352  
 Full Port Type  
 Testing according to API 598  
 Marking MSS SP25  
 Spring available on request for Piston and Ball Check Valves  
 Ring joint type gasket available on request  
 Spiral wound gasket  
 Integral body flanges  
 Face to face according to ASME B16.10  
 Flanges according to ASME B16.5  
 Ratings:  
 - carbon steel class 1500 3705 psig @ 100°F  
 255 bar + 38°C



FULL PORT – FIG. 15F 40, 15F 50, 15F 60						
SIZE	inch	1/2	3/4	1	1 1/2	2
	mm	15	20	25	40	50
A	inch mm	8.50 216	9.02 229	10 254	12.01 305	14.50 368,5
B	inch mm	4.13 105	4.92 125	5.31 135	6.10 155	7.68 195
F Piston/ F Ball	inch mm	.47 12	.57 14,5	.75 19	1.22 31	1.57 40
F Swing	inch mm	.55 14	.71 18	.94 24	1.46 36,6	1.89 48
Weight	lb. kg	16.5 7,5	24.5 11,2	31.75 14,5	58.25 26,5	110 50
GASKET		G2	G3	G4	G7	G8



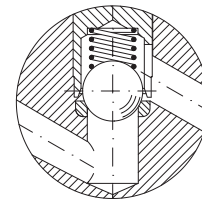
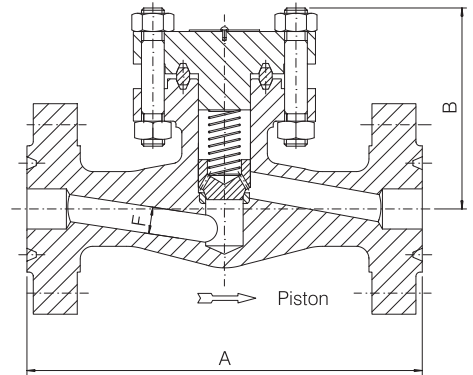
BONNEY FORGE

# INTEGRAL FLANGED VALVES- CHECK TYPE- BOLTED BONNET- FULL PORT

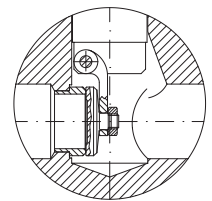
## 2500 LB.

**Design construction:**

- ASME B16.34 - BS 5352
- Full Port Type
- Testing according to API 598
- Marking MSS SP25
- Body Bonnet Gasket ring joint type
- Spiral wound type gasket on request
- Spring available on request for Piston and Ball Check Valves
- Integral body flanges
- Face to face according to ASME B16.10
- Flanges according to ASME B16.5
- Ratings:
  - carbon steel class 2500 6170 psig @ 100°F
  - 425 bar + 38°C



Ball



Swing

FULL PORT – FIG. 25FR 40, 25FR 50, 25FR 60						
SIZE	inch	1/2	3/4	1	1 1/2	2
	mm	15	20	25	40	50
A	inch	10.39	10.75	12.13	15.25	17.87
	mm	264	273	308	387,5	454
B	inch	5.04	5.12	5.98	7.40	7.48
	mm	128	130	152	188	190
F Piston/ F Ball	inch	.43	.57	.75	1.10	1.38
	mm	11	14,5	19	28	35
F Swing	inch	.45	.59	.76	1.10	1.38
	mm	11,5	15	19,5	28	35
Weight	lb.	31.5	35.25	57.75	119	123.25
	kg	14,3	16	26,3	54	56
GASKET		R16	R16	R16	R19	R20*



---

Overview .....56

Gate Type- Bolted & Welded Bonnet-  
800 lb. & 1500 lb. valves .....57

Gate Type- Welded Bonnet-  
2500 lb. valves .....58

Globe Type- Bolted & Welded Bonnet-  
800 lb. & 1500 lb. valves .....59

---

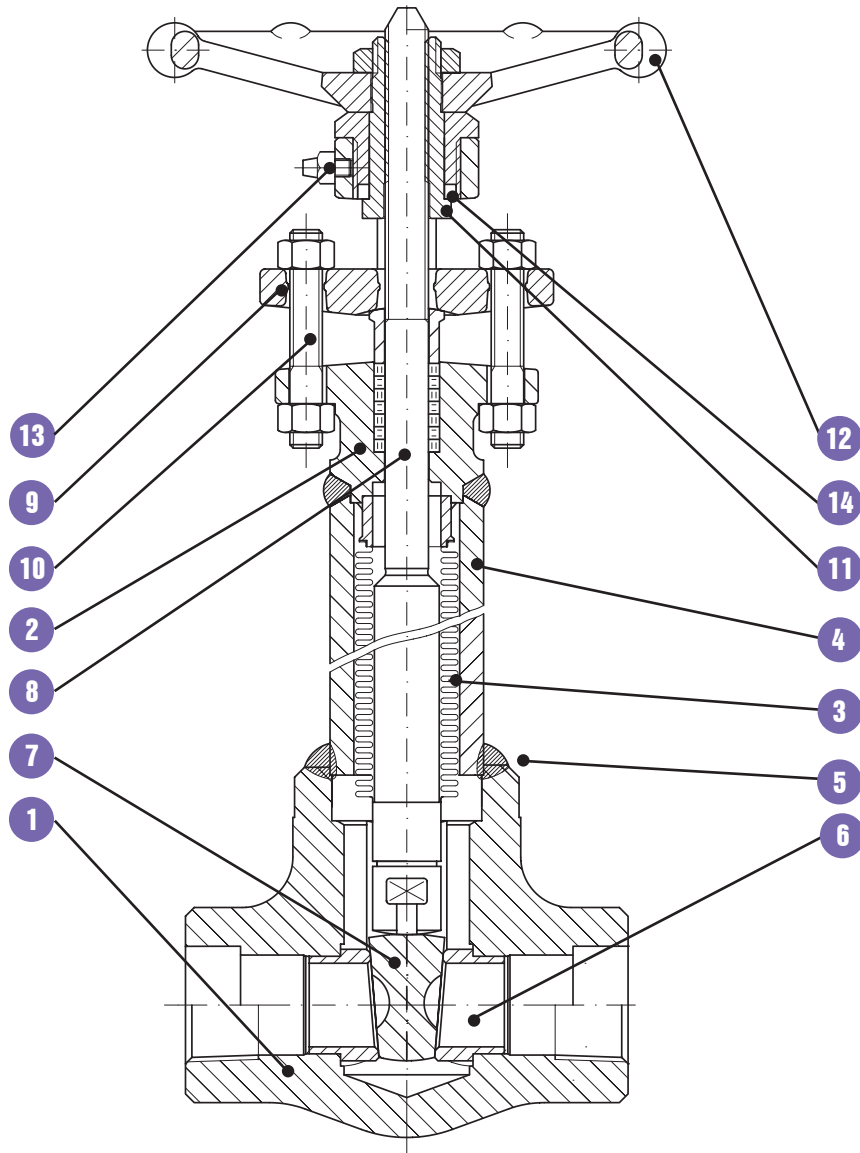
# BELLOWS SEALED VALVES

---



## BELLOWS SEALED VALVES

Typical forged steel, outside screw and yoke (OS&Y), rising stem, non-rising handwheel. Full or standard port. Bolted or welded bonnet joint. Integral backseat.



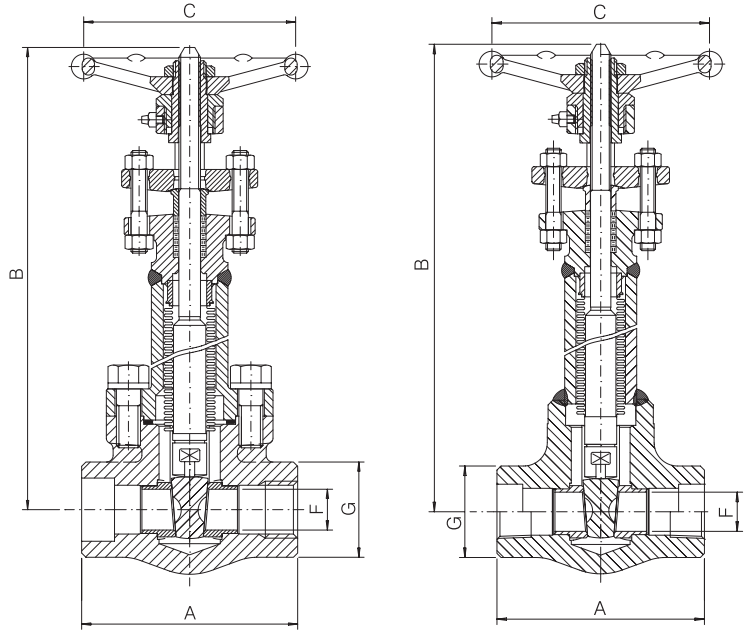
- 1. BODY.** The body is forged steel and designed to the basic dimensional requirements of the applicable specifications such as API 602 and ASME B16.34. The body is available in both the full or standard port design.
- 2. BONNET.** The bonnet is forged steel, has an integral backseat and incorporates the stuffing box, which has dimensions per the applicable specifications such as API 602.
- 3. BELLOWS.** The hydroformed bellows design is in accordance with specifications API 602, and MSS-SP-117.
- 4. BONNET EXTENSION.** The bonnet extension is forged steel and of similar material as the body and bonnet and attached by a welded connection.
- 5. BODY-BONNET JOINT.** Two different bonnet joint designs are available. These are either the welded or the bolted bonnet type. The bolted bonnet joint design valve uses a contained, controlled compression, spiral wound type gasket. The bonnet bolting is manufactured of alloy steel in accordance with the requirements of the applicable specifications such as API 602 and ASME B16.34.
- 6. SEAT RINGS.** The seat rings are steel and make up part of the valve trim. They are pressed into the valve body and wedged into place, forming a seal with the body. The seating surfaces are ground and lapped.
- 7. WEDGE.** The wedge, which is a solid design, is forged or investment cast steel and is part of the valve trim. The seating surfaces are ground and lapped.
- 8. STEM.** The stem is forged steel and part of the valve trim. It contains an integral back seat shoulder, which mates with the integral backseat of the bonnet. The stem is designed to the basic dimensional requirements of the applicable specifications such as API 602.
- 9. GLAND AND FLANGE.** The gland, gland flange assembly utilizes a separate, two piece design. This self aligning design allows the flange to be unevenly tightened while the gland maintains its parallel alignment with the stem and stuffing box.
- 10. GLAND BOLTS AND NUTS.** The steel/stainless steel gland bolt and nut assembly is a stud, double nut arrangement. This design allows complete removal from the valve when service is required. The use of industry standard thread full length studs and nuts also allows easy replacement should these items be lost or in need of replacement.
- 11. YOKE SLEEVE.** The yoke sleeve is of forged stainless steel material having a high melting point and is resistant to wear and corrosion.
- 12. HANDWHEEL.** The handwheel is forged carbon steel of an open spoke design. This robust construction along with appropriate sizing allows for ease of operation.
- 13. GREASE FITTING.** The grease fitting is incorporated in the bonnet for stem and yoke sleeve lubrication to ensure smooth operation.
- 14. THRUST WASHER.** The thrust washer is between the bonnet and yoke sleeve to help prevent excessive wear of the yoke bushing and reduce operating torque.

800 LB.

1500 LB.

**Design construction:**

- API 602, ASME B16.34, MSS-SP-117, BS 5352
- Testing according to API 598
- Marking MSS-SP-25
- Outside Screw and Yoke (OS&Y)
- Self aligning two piece packing gland
- Spiral wound gasket
- Body Bonnet Weld to ASME IX
- Integral Backseat
- Hydroformed bellows
- Grease nipple for stem
- Socket Weld Ends to ASME B16.11
- Screwed Ends (NPT) to ASME B1.20.1
- Butt Welding Ends to ASME B16.25
- Ratings:**
- carbon steel class 800    1975 psig @ 100°F  
  138 bar + 38°C
- carbon steel class 1500    3705 psig @ 100°F  
  255 bar + 38°C



800 LB.	FULL PORT – BOLTED BONNET FIG. S 10 - WELDED BONNET FIG. SHW 10									
	SIZE	inch mm	1/4 6	3/8 10	1/2 15	3/4 20	1 25	1 1/4 32	1 1/2 40	2 50
	A	inch mm	3.15 80	3.15 80	3.54 90	4.33 110	5 127	5 127	5 127	8.27 210
	B open	inch mm	9.05 230	9.05 230	9.64 245	11.22 285	13.19 335	14.96 380	16.42 417	20.87 530
	C	inch mm	3.46 88	3.46 88	3.46 88	3.82 97	5.43 138	5.43 138	5.43 138	6.77 172
	F	inch mm	.31 8	.38 9.6	.55 14	.71 18	.94 24	1.18 30	1.44 36.6	1.89 48
	G	inch mm	1.26 32	1.26 32	1.50 38	1.89 48	2.20 56	2.52 64	3.07 78	3.35 85
	Weight Bolted B.	lb. kg	6 2.7	6 2.7	6.25 2.9	10 4.6	15.75 7.2	22 10	28.25 12.8	48.5 22
	Weight Welded B.	lb. kg	5 2.3	5 2.3	5.5 2.5	8.25 3.8	13.5 6.2	18.5 8.4	24.5 11.2	44 20
	PACKING		BH2	BH2	BH2	BH4	BH5	BH6	BY5	BH8
GASKET*		G2	G2	G2	G3	G4	G6	G7	G9	

800 LB.	STANDARD PORT – BOLTED BONNET FIG. SL 10 - WELDED BONNET FIG. SHWL 10							
	SIZE	inch mm	1/2 15	3/4 20	1 25	1 1/2 40	2 50	
	A	inch mm	3.15 80	3.54 90	4.33 110	5 127	5 127	5 127
	B open	inch mm	9.05 230	9.64 245	11.22 285	14.96 380	16.42 417	16.42 417
	C	inch mm	3.46 88	3.46 88	3.82 97	5.43 138	5.43 138	5.43 138
	F	inch mm	.38 9.6	.55 14	.71 18	1.18 30	1.44 36.6	1.89 48
	G	inch mm	1.26 32	1.50 38	1.89 48	2.52 64	3.07 78	3.35 85
	Weight Bolted B.	lb. kg	6 2.7	6.5 3	9.75 4.4	20.75 9.4	27 12.3	27 12.3
	Weight Welded B.	lb. kg	4.5 2.1	5.25 2.4	8.5 3.9	19 8.6	24.25 11	24.25 11
	PACKING		BH2	BH2	BH4	BH6	BY5	BY5
GASKET*		G2	G2	G3	G6	G7	G7	

1500 LB.	FULL PORT – BOLTED BONNET FIG. 9S 10 - WELDED BONNET FIG. 9SHW 10						
	SIZE	inch mm	1/2 15	3/4 20	1 25	1 1/2 40	2 50
	A	inch mm	4.33 110	5 127	5 127	8.27 210	9.05 230
	B open	inch mm	13.98 355	14.96 380	17.72 450	21.65 550	23.23 590
	C	inch mm	5.43 138	5.43 138	6.77 172	9.21 234	12.6 320
	F	inch mm	.55 14	.71 18	.94 24	1.44 36.6	1.89 48
	G	inch mm	1.89 48	2.20 56	2.52 64	3.35 85	3.74 95
	Weight Bolted B.	lb. kg	11 5	15.5 7	21 9.5	51.75 23.5	88 40
	Weight Welded B.	lb. kg	10 4.5	14.25 6.5	18.25 8.3	48.5 22	81.5 37
	PACKING		BH5	BH6	2B4	2B5	9B8
GASKET*		G2	G3	G4	G7	G8	

1500 LB.	STANDARD PORT – BOLTED BONNET FIG. 9SL 10 - WELDED BONNET FIG. 9SHWL 10						
	SIZE	inch mm	1/2 15	3/4 20	1 25	1 1/2 40	2 50
	A	inch mm	3.54 90	4.33 110	5 127	5 127	8.27 210
	B open	inch mm	12.60 320	13.98 355	14.96 380	17.72 450	21.65 550
	C	inch mm	5.43 138	5.43 138	5.43 138	9.21 234	9.21 234
	F	inch mm	.38 9.6	.55 14	.71 18	1.18 30	1.44 36.6
	G	inch mm	1.50 38	1.89 48	2.20 56	3.07 78	3.35 85
	Weight Bolted B.	lb. kg	6.5 3	11 5	15.5 7	22 10	53 24
	Weight Welded B.	lb. kg	6 2.8	10 4.6	14.25 6.5	19.75 9	48.5 22
	PACKING		BH3	BH5	BH6	2B5	BH8
GASKET*		G1	G2	G3	G5	G7	

# B<sup>®</sup> GATE VALVES- BELLOWS SEALED- WELDED BONNET- FULL PORT

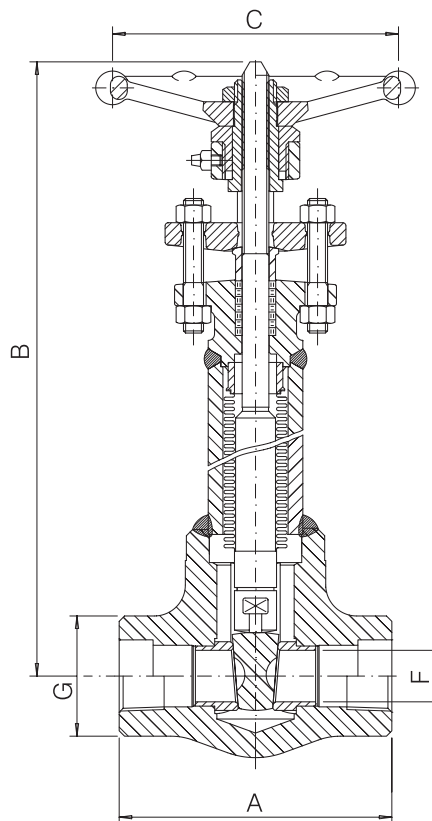
BONNEY FORGE

**2500 LB.**

**Design construction:**

- ASME B16.34, MSS-SP-117, BS 5352
- Testing according to API 598
- Marking MSS-SP-25
- Outside Screw and Yoke (OS&Y)
- Self aligning two piece packing gland
- Spiral wound gasket
- Body Bonnet Weld to ASME IX
- Integral Backseat
- Hydroformed bellows
- Grease nipple for stem
- Socket Weld Ends to ASME B16.11
- Screwed Ends (NPT) to ASME B1.20.1
- Butt Welding Ends to ASME B16.25

Ratings:  
 -carbon steel class 2500    6170 psig @ 100°F  
    425 bar + 38°C



		FULL PORT – FIG. 25SHW 10							
SIZE	inch	1/4	3/8	1/2	3/4	1	1 1/4	1 1/2	2
	mm	6	10	15	20	25	32	40	50
A	inch	4.33	4.33	5	5	5	5	8.27	9.05
	mm	110	110	127	127	127	127	210	230
B open	inch	14.96	14.96	16.93	17.72	20.08	24.41	24.80	27.95
	mm	380	380	430	450	510	620	630	710
C	inch	5.43	5.43	5.43	6.77	9.21	9.21	12.60	15.75
	mm	138	138	138	172	234	234	320	400
F	inch	.31	.31	.45	.59	.77	.98	1.10	1.38
	mm	8	8	11,5	15	19,5	25	28	35
G	inch	1.89	1.89	2.20	2.52	3.07	3.07	3.35	3.74
	mm	48	48	56	64	78	78	85	95
Weight	lb.	13.5	13.5	14.25	23	35.25	37.5	63.75	99.25
	kg	6,2	6,2	6,5	10,5	16	17	29	45
PACKING		BH6	BH6	2B4	2B4	BH8	BH8	9B8	25B8

# GLOBE VALVES- BELLOWS SEALED- WELDED & BOLTED BONNET- FULL & STANDARD PORT

BONNEY FORGE

800 LB.

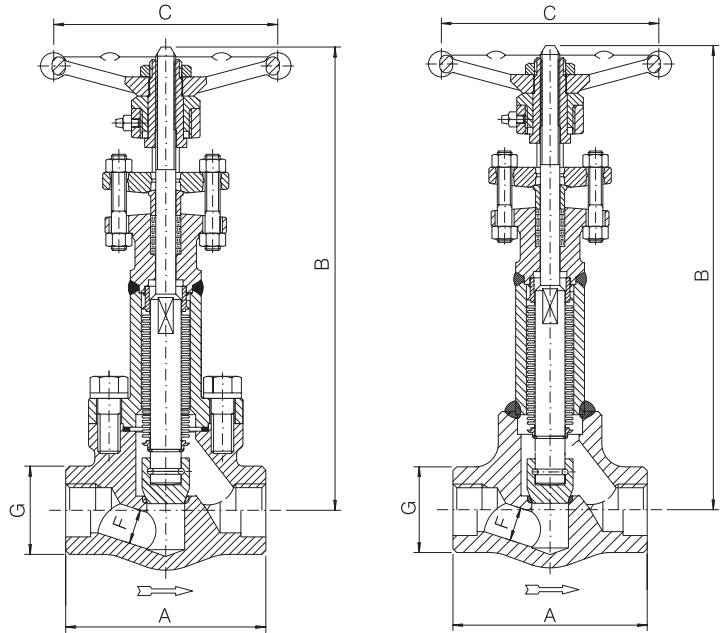
1500 LB.

**Design construction:**

- ASME B16.34, BS 5352, MSS-SP-117
- Testing according to API 598
- Marking MSS-SP-25
- Outside Screw and Yoke (OS&Y)
- Self aligning two piece packing gland
- Spiral wound gasket
- Body Bonnet Weld to ASME IX
- Integral Backseat
- Loose solid disc
- Socket Weld Ends to ASME B16.11
- Screwed Ends (NPT) to ASME B1.20.1
- Butt Welding Ends to ASME B16.25

**Ratings:**

- carbon steel class 800      1975 psig @ 100°F  
   138 bar + 38°C
- carbon steel class 1500      3705 psig @ 100°F  
   255 bar + 38°C

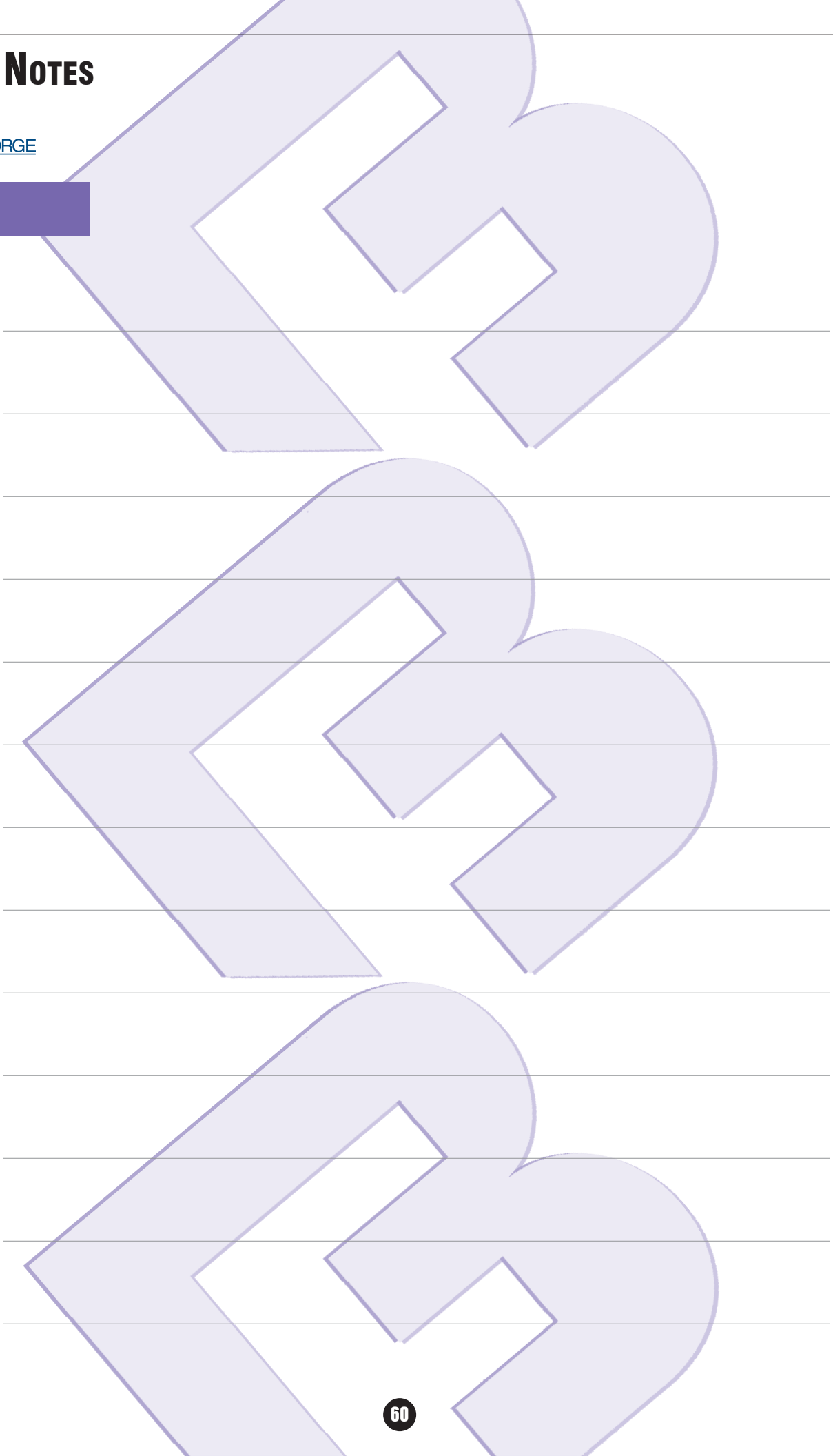


		FULL PORT – BOLTED BONNET FIG. S 30 - WELDED BONNET FIG. SHW 30							
SIZE	inch mm	1/4 6	3/8 10	1/2 15	3/4 20	1 25	1 1/4 32	1 1/2 40	2 50
A	inch mm	3.15 80	3.15 80	3.54 90	4.33 110	5 127	5.90 150	7.09 180	8.27 210
B open	inch mm	8.07 205	8.07 205	8.27 210	9.64 245	11.22 285	12.40 315	13.58 345	17.52 445
C	inch mm	3.46 88	3.46 88	3.46 88	3.82 97	5.43 138	5.43 138	6.77 172	6.77 172
F	inch mm	.27 7	.35 9	.51 13	.69 17.5	.87 22.5	1.16 29.5	1.38 35	1.77 45
G	inch mm	1.26 32	1.26 32	1.50 38	1.89 48	2.20 56	2.52 64	3.07 78	3.35 85
Weight Bolted B.	lb. kg	5.5 2.5	5.5 2.5	7.75 3.5	11.5 5.2	19.25 8.7	22 10	40.75 18.5	67.25 30.5
Weight Welded B.	lb. kg	5 2.3	5 2.3	7 3.2	11 5	17.5 8	19.75 9	37.5 17	61.75 28
PACKING		BH2	BH2	BH2	BH4	BH5	BH6	BY5	BH8
GASKET*		G2	G2	G2	G3	G4	G6	G7	G9

		STANDARD PORT – BOLTED BONNET FIG. SL 30 - WELDED BONNET FIG. SHWL 30					
SIZE	inch mm	1/2 15	3/4 20	1 25	1 1/2 40	2 50	
A	inch mm	3.15 80	3.54 90	4.33 110	5.90 150	7.09 180	
B open	inch mm	8.07 205	8.27 210	9.64 245	12.40 315	13.58 345	
C	inch mm	3.46 88	3.46 88	3.82 97	5.43 138	6.77 172	
F	inch mm	.35 9	.51 13	.69 17.5	1.16 29.5	1.38 35	
G	inch mm	1.26 32	1.50 38	1.89 48	2.52 64	3.07 78	
Weight Bolted B.	lb. kg	5.5 2.5	6 2.7	9.5 4.3	19.5 8.8	29.75 13.5	
Weight Welded B.	lb. kg	4.75 2.2	5.25 2.4	7.75 3.5	17.75 8.1	26 11.8	
PACKING		BH2	BH2	BH4	BH6	BY5	
GASKET*		G2	G2	G3	G6	G7	

		FULL PORT – BOLTED BONNET FIG. 9S 30 - WELDED BONNET FIG. 9SHW 30				
SIZE	inch mm	1/2 15	3/4 20	1 25	1 1/2 40	2 50
A	inch mm	4.33 110	5 127	5.90 150	8.27 210	9.05 230
B open	inch mm	11.02 280	12.60 320	14.17 360	17.52 445	20.08 510
C	inch mm	5.43 138	6.77 172	9.21 234	12.60 320	12.60 320
F	inch mm	.47 12	.59 15	.79 20	1.26 32	1.57 40
G	inch mm	1.89 48	2.20 56	2.52 64	3.35 85	3.74 95
Weight Bolted B.	lb. kg	10 4.5	15.5 7	19.75 9	50.75 23	83.75 38
Weight Welded B.	lb. kg	8.75 4	14.25 6.5	18.25 8.3	48.5 22	80.5 36.5
PACKING		BH5	2B4	2B4	BH8	9B8
GASKET*		G2	G3	G4	G7	G8

		STANDARD PORT – BOLTED BONNET FIG. 9SL 30 - WELDED BONNET FIG. 9SHWL 30				
SIZE	inch mm	1/2 15	3/4 20	1 25	1 1/2 40	2 50
A	inch mm	3.54 90	4.33 110	5 127	7.09 180	8.27 210
B open	inch mm	9.45 240	11.02 280	12.60 320	14.17 360	17.52 445
C	inch mm	5.43 138	5.43 138	6.77 172	9.21 234	12.60 320
F	inch mm	.35 9	.47 12	.59 15	1.06 27	1.26 32
G	inch mm	1.50 38	1.89 48	2.20 56	3.07 78	3.35 85
Weight Bolted B.	lb. kg	7.75 3.5	10 4.5	15.5 7	19.75 9	50.75 23
Weight Welded B.	lb. kg	6.5 3	10 4.6	14.25 6.5	19.5 8.9	47.25 21.5
PACKING		BH3	BH5	2B4	2B5	BH8
GASKET*		G1	G2	G3	G5	G7



---

Overview .....62

Valvolet® End- Bolted & Welded  
Bonnet- 800 lb. & 1500 lb. valves ....63

Lip End- Bolted & Welded Bonnet-  
800 lb. & 1500 lb. valves .....63

Socket Weld End- Bolted & Welded  
Bonnet- 800 lb. & 1500 lb. valves ....64

Butt Weld End- Bolted & Welded  
Bonnet- 800 lb. & 1500 lb. valves ....64

Threaded End- Bolted & Welded  
Bonnet- 800 lb. & 1500 lb. valves ....64

---

# EXTENDED BODY GATE VALVES

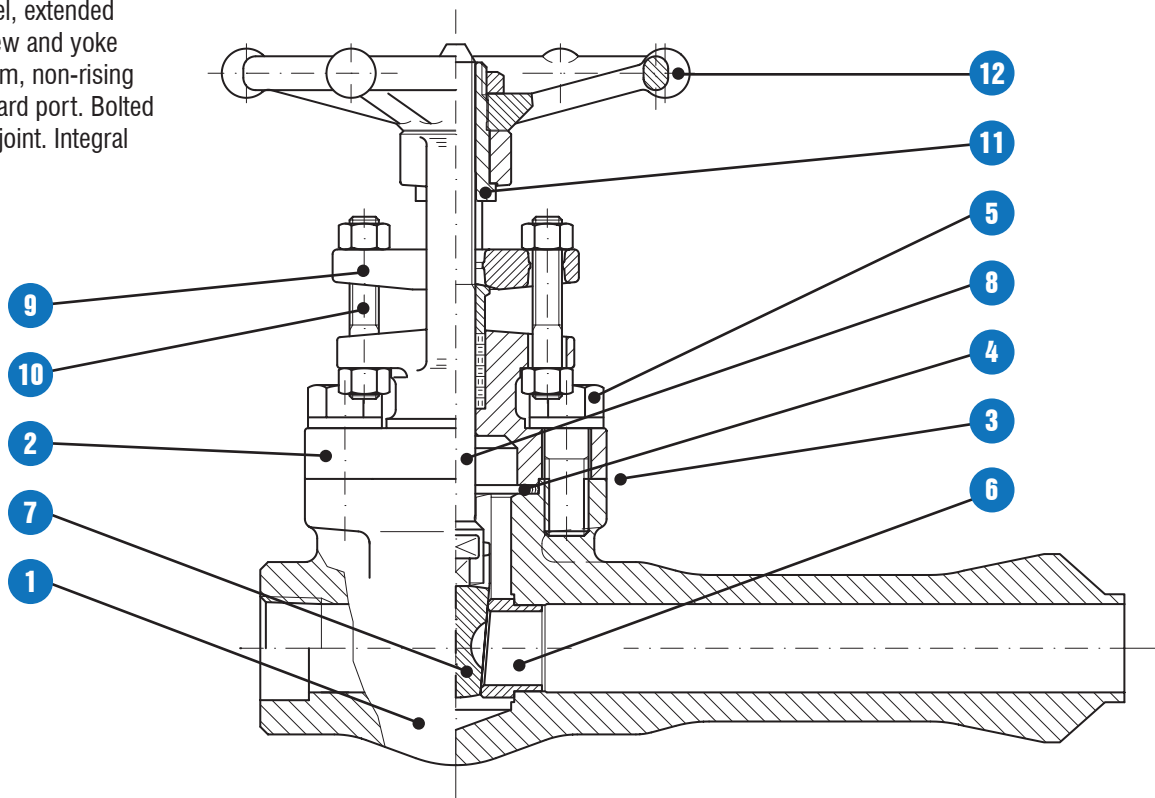
---



## EXTENDED BODY

### GATE VALVES

Typical forged steel, extended body, outside screw and yoke (OS&Y), rising stem, non-rising handwheel. Standard port. Bolted or welded bonnet joint. Integral backseat.



**1. BODY.** The body is forged steel and designed to the basic dimensional requirements of the applicable specifications such as API 602 and ASME B16.34. The body is available in standard port design with Plane End (Socket Weld), Threaded End, Lip End and Weld-O-Let End.

**2. BONNET.** The bonnet is forged steel, has an integral backseat and incorporates the stuffing box, which has dimensions per the applicable specifications such as API 602.

**3. BODY-BONNET JOINT.** Two different bonnet joint designs are available. These are either the threaded and seal welded or bolted bonnet type.

**4. GASKET.** The bolted bonnet joint design valve uses a contained, controlled compression, spiral wound type gasket.

**5. BONNET BOLTING.** The bonnet bolting is manufactured of alloy steel in accordance with the requirements of the applicable specifications such as API 602 and ASME B16.34.

**6. SEAT RINGS.** The seat rings are steel and make up part of the valve trim. They are pressed into the valve body and wedged into place, forming a seal with the body. The seating surfaces are ground and lapped.

**7. WEDGE.** The wedge, which is a solid design, is forged or investment cast steel and is part of the valve trim. The seating surfaces are ground and lapped.

**8. STEM.** The stem is forged steel and part of the valve trim. It contains an integral back seat shoulder, which mates with the integral backseat of the bonnet. The stem is designed to the basic dimensional requirements of the applicable specifications such as API 602.

**9. GLAND AND FLANGE.** The gland, gland flange assembly utilizes a separate, two piece design. This self aligning design allows the flange to be unevenly tightened while the gland maintains its parallel alignment with the stem and stuffing box.

**10. GLAND BOLTS AND NUTS.** The steel/stainless steel gland bolt and nut assembly is a stud, double nut arrangement. This design allows complete removal from the valve when service is required. The use of industry standard thread full length studs and nuts also allows easy replacement should these items be lost or in need of replacement.

**11. YOKE SLEEVE.** The yoke sleeve is of forged stainless steel material having a high melting point and is resistant to wear and corrosion.

**12. HANDWHEEL.** The handwheel is forged carbon steel of an open spoke design. This robust construction along with appropriate sizing allows for ease of operation.



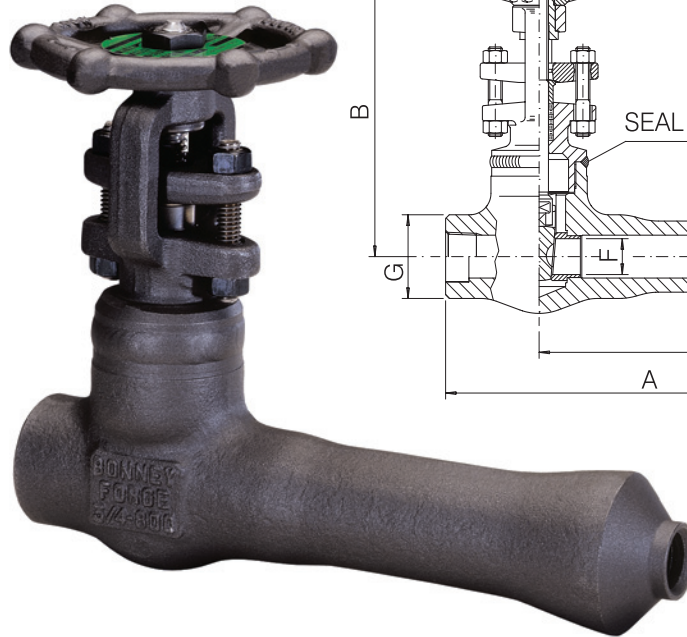
# GATE VALVES- EXTENDED BODY- STANDARD PORT- INTEGRAL REINFORCED - VALVOLET® END & LIP END WELDED & BOLTED BONNET

800 LB.

1500 LB.

**Design construction:**  
 API 602 - ASME B16.34  
 Testing according to API 598  
 Marking MSS-SP-25  
 Integral extended body  
 Outside Screw and Yoke (OS&Y)  
 Self aligning two piece packing gland  
 Spiral-wound gasket  
 Body-bonnet weld to ASME IX  
 Integral backseat  
 Socket Weld Ends to ASME B16.11  
 Screwed Ends (NPT) to ASME B1.20.1  
 Butt Welding Ends to ASME B16.25  
 Rating:

-carbon steel class 800     1975 psig @ 100°F  
    138 bar + 38°C  
 -carbon steel class 1500     3705 psig @ 100°F  
    255 bar + 38°C



	BOLTED BONNET – FIG. VLL 10 / WELDED BONNET – FIG. VOLL 10					
	SIZE	inch mm	1/2 15	3/4 20	1 25	1 1/2 40
A	inch	8.15	8.60	9.62	10.37	10.53
	mm	207	218.5	244.5	263.5	267.5
B open	inch	5.98	6.22	7.72	10.04	11.42
	mm	152	158	196	255	290
C	inch	3.46	3.46	3.82	5.43	5.43
	mm	88	88	97	138	138
F	inch	.38	.55	.71	1.18	1.44
	mm	9.6	14	18	30	36.6
G	inch	1.26	1.50	1.89	2.52	3.07
	mm	32	38	48	64	78
H	inch	.69	.87	1.12	1.61	1.81
	mm	17.5	22	28.5	41	46
I	inch	.16	.19	.19	.25	.31
	mm	4	4.8	4.8	6.3	8
L	inch	6.57	6.81	7.48	7.87	8.03
	mm	167	173	190	200	204
M	inch	.87	1.18	1.44	1.99	2.56
	mm	22	30	36.5	50.5	65
Weight	lb.	5.75	6.75	11.25	21	28.5
Bolted B.	kg	2.6	3.1	5.1	9.5	13
Weight	lb.	5	6.25	9.5	19.5	25.75
Welded B.	kg	2.3	2.9	4.3	8.8	11.7
PACKING		BH2	BH2	BH4	BH6	BY5
GASKET*		G2	G2	G3	G6	G7

	BOLTED BONNET – FIG. 9VLL 10 / WELDED BONNET – FIG. 9VOLL 10				
	SIZE	inch mm	1/2 15	3/4 20	1 25
A	inch	8.60	9.62	10.37	10.53
	mm	218.5	244.5	263.5	267.5
B open	inch	6.02	7.48	8.66	11.10
	mm	153	190	220	282
C	inch	3.46	3.82	5.43	5.43
	mm	88	97	138	138
F	inch	.38	.55	.71	1.18
	mm	9.6	14	18	30
G	inch	1.50	1.89	2.20	3.07
	mm	38	48	56	78
H	inch	.69	.87	1.12	1.61
	mm	17.5	22	28.5	41
I	inch	.16	.19	.19	.25
	mm	4	4.8	4.8	6.3
L	inch	6.81	7.48	7.87	8.03
	mm	173	190	200	204
M	inch	1.18	1.44	1.99	2.56
	mm	30	36.5	50.5	65
Weight	lb.	8	12.25	23	32
Bolted B.	kg	3.6	5.6	10.5	14.5
Weight	lb.	6.25	10.25	19.75	27.5
Welded B.	kg	2.9	4.7	9	12.5
PACKING		BH3	BH5	BH6	2B5
GASKET*		G1	G2	G3	G5



BONNEY FORGE

# GATE VALVES- EXTENDED BODY- STANDARD PORT- SOCKET WELDED- PLAIN END, SCREWED END & BUTT WELD END - WELDED & BOLTED BONNET

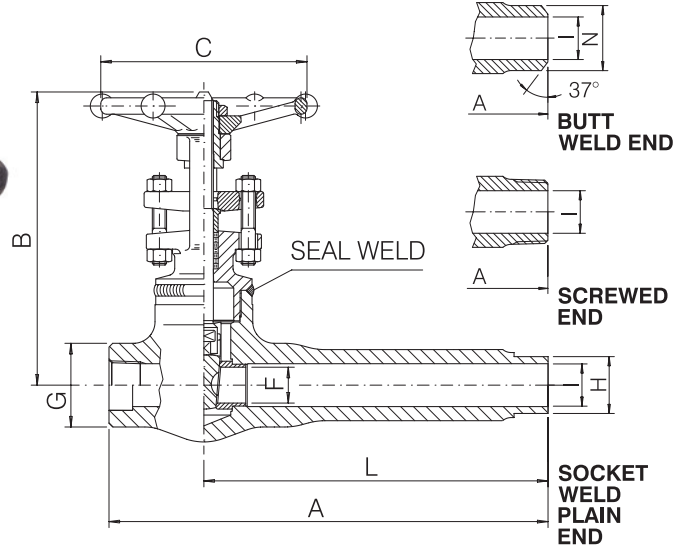
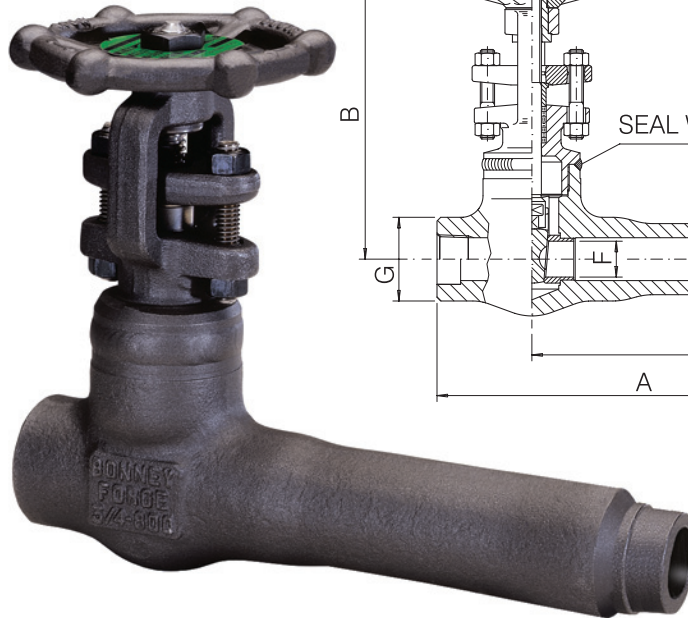
**800 LB.**

**1500 LB.**

**Design construction:**

- API 602 - ASME B16.34
- Testing according to API 598
- Marking MSS-SP-25
- Integral extended body
- Outside Screw and Yoke (OS&Y)
- Self aligning two piece packing gland
- Spiral-wound gasket
- Body-bonnet weld to ASME IX
- Integral backseat
- Socket Weld Ends to ASME B16.11
- Screwed Ends (NPT) to ASME B1.20.1
- Butt Welding Ends to ASME B16.25

- Rating:
- carbon steel class 800      1975 psig @ 100°F  
  138 bar + 38°C
  - carbon steel class 1500      3705 psig @ 100°F  
  255 bar + 38°C



		BOLTED BONNET — FIG. 9ML 10 / WELDED BONNET — FIG. 9ML 10					
SIZE	inch mm	1/2 15	3/4 20	1 25	1 1/2 40	2 50	
A	inch mm	5.57 141,5	5.77 146,5	6.53 166	7.50 190,5	8.50 216	
B open	inch mm	5.98 152	6.14 156	7.72 196	10.08 256	11.42 290	
C	inch mm	3.46 88	3.46 88	3.82 97	5.43 138	5.43 138	
F	inch mm	.38 9,6	.55 14	.71 18	1.18 30	1.44 36,6	
G	inch mm	1.26 32	1.50 38	1.89 48	2.52 64	3.07 78	
H	inch mm	.84 21,3	1.05 26,7	1.31 33,4	1.90 48,3	2.37 60,3	
I	inch mm	.51 13	.63 16	.83 21	1.34 34	1.65 42	
L	inch mm	4.01 102	4.01 102	4.37 111	5 127	6.02 153	
N	inch mm	.90 23	1.10 28	1.42 36	2.05 52	2.44 62	
Weight	lb.	5.25	5.75	9.25	17.75	26	
Bolted B.	kg	2,4	2,6	4,2	8,1	11,8	
Weight	lb.	3.75	4.5	7	15.75	22.75	
Welded B.	kg	1,7	2,1	3,2	7,2	10,3	
PACKING		BH2	BH2	BH4	BH6	BY5	
GASKET*		G2	G2	G3	G6	G7	

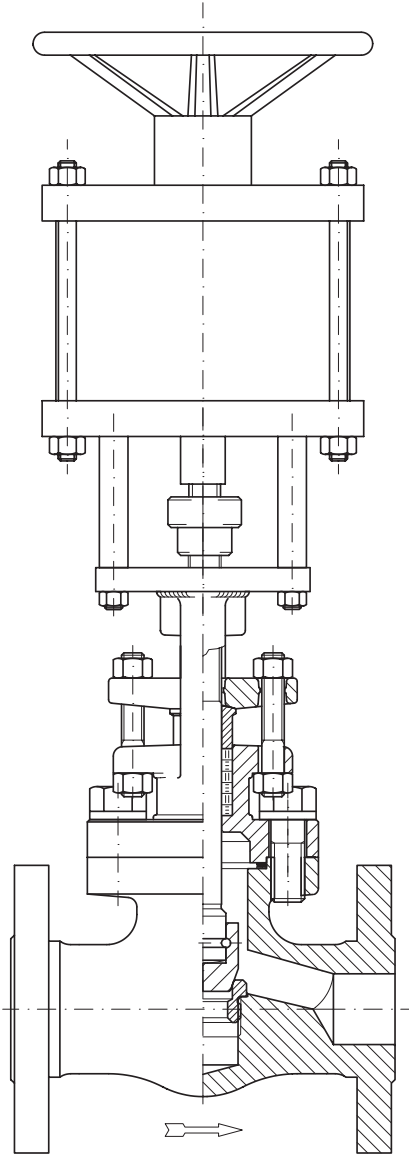
		BOLTED BONNET — FIG. 9ML 10 / WELDED BONNET — FIG. 9ML 10					
SIZE	inch mm	1/2 15	3/4 20	1 25	1 1/2 40	2 50	
A	inch mm	5.77 146,5	6.53 166	7.50 190,5	8.50 216		
B open	inch mm	6.02 153	7.48 190	8.66 220	11.10 282		
C	inch mm	3.46 88	3.82 97	5.43 138	5.43 138		
F	inch mm	.38 9,6	.55 14	.71 18	1.18 30		
G	inch mm	1.50 38	1.89 48	2.52 64	3.35 85		
H	inch mm	.84 21,3	1.05 26,7	1.31 33,4	1.90 48,3		
I	inch mm	.51 13	.63 16	.83 21	1.34 34		
L	inch mm	4.02 102	4.37 111	5 127	6.02 153		
N	inch mm	.90 23	1.10 28	1.42 36	2.05 52		
Weight	lb.	5.75	10	20	28.5		
Bolted B.	kg	2,6	4,6	9,1	13		
Weight	lb.	4.5	8.25	17.75	26.5		
Welded B.	kg	2,1	3,8	8,1	12		
PACKING		BH3	BH5	BH6	2B5		
GASKET*		G1	G2	G3	G5		



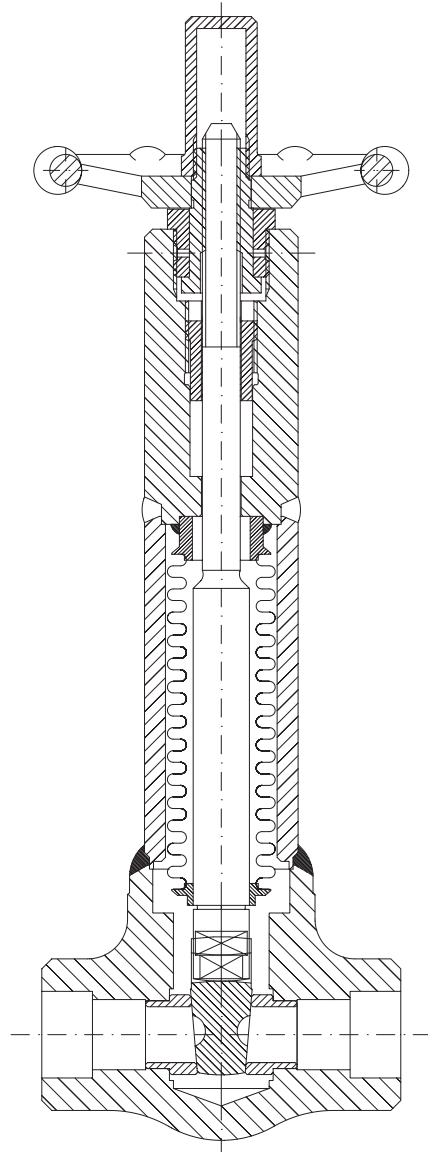
**SPECIAL  
FEATURES**

**B**

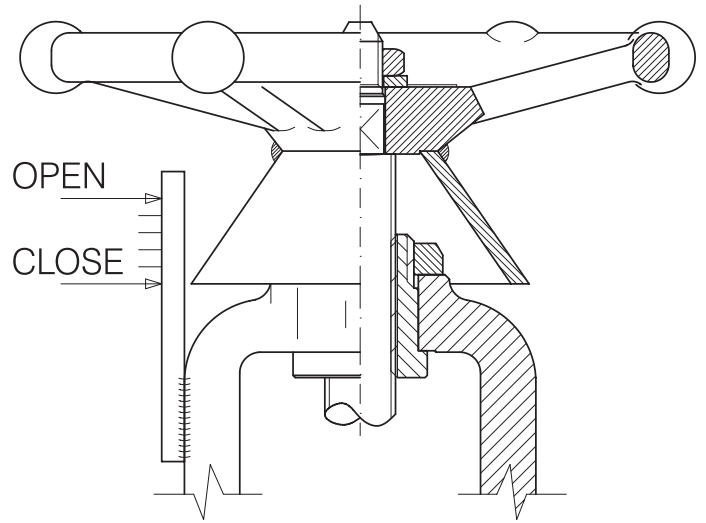
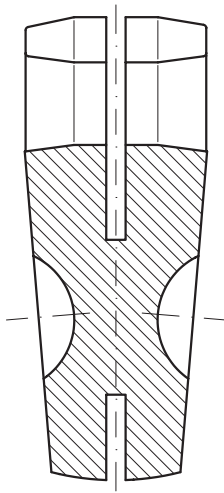
Special features are available on request.



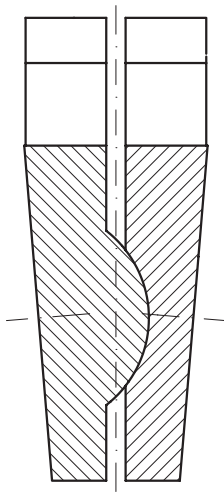
All Gate and Globe valves can be equipped with pneumatic or hydraulic actuator, double effect or spring action.



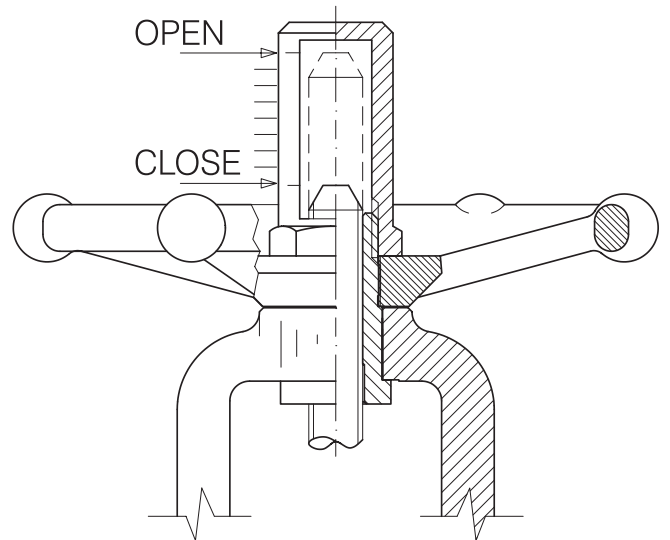
Bellows seal valves full protected.



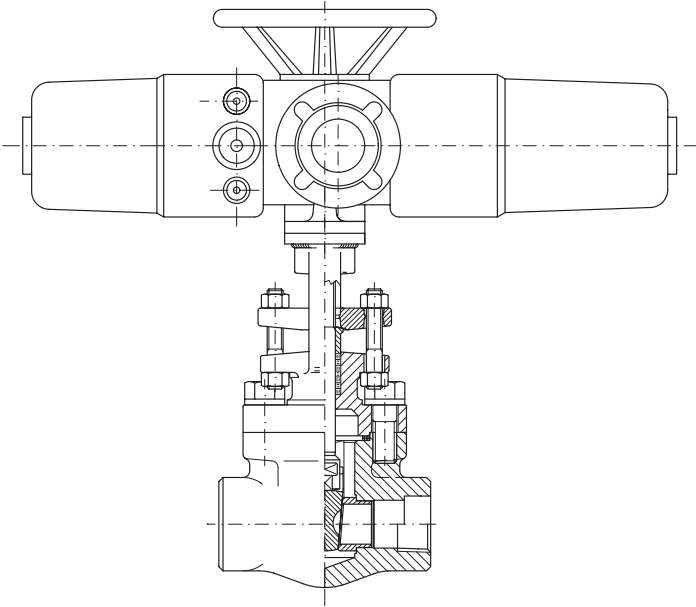
**Position indicator and stem protection on Globe valves.**



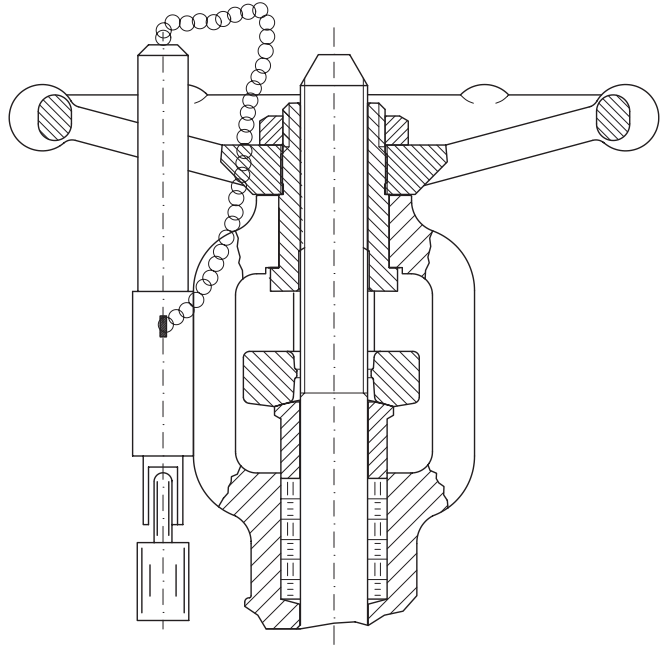
**Flexible and split wedge available on request.**



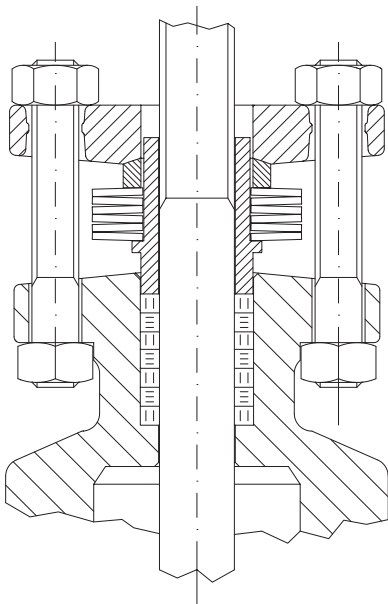
**Position indicator and stem protection on Gate valves.**



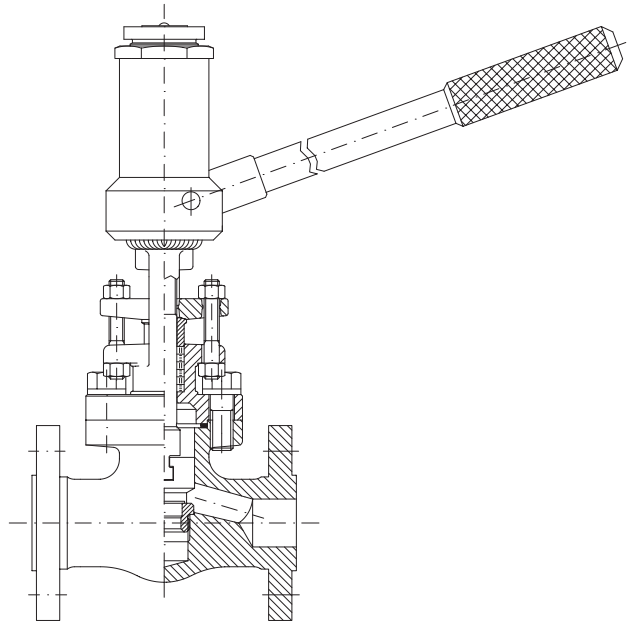
**All Gate and Globe valves can be equipped with electric actuator, per customer's specification.**



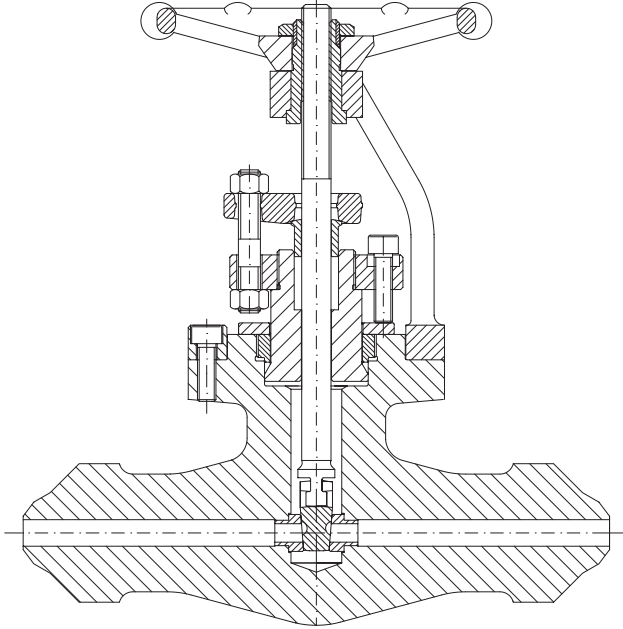
**Locking device with padlock. One option shown. Other designs are supplied.**



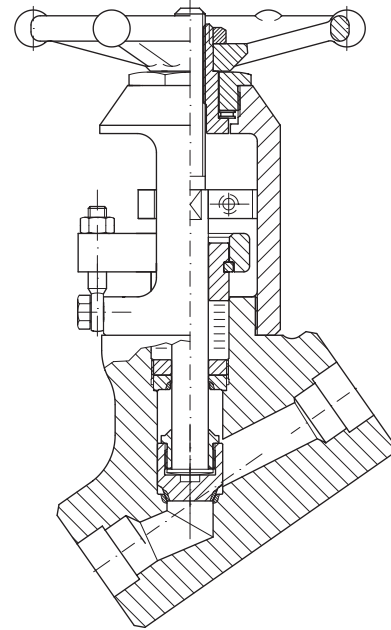
**Stuffing box with live loading system. One option shown. Other designs are supplied.**



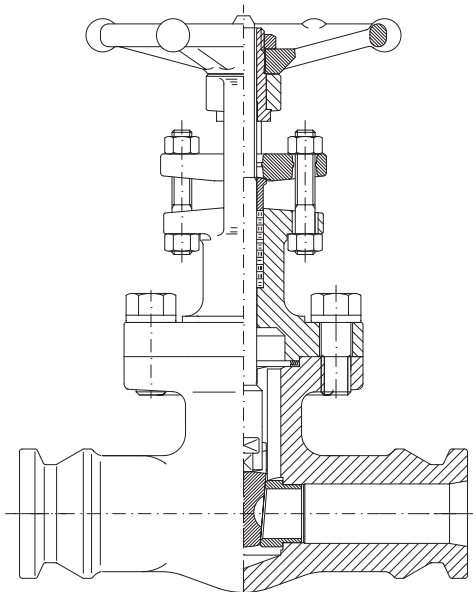
**Quick opening Globe and Gate valves.**



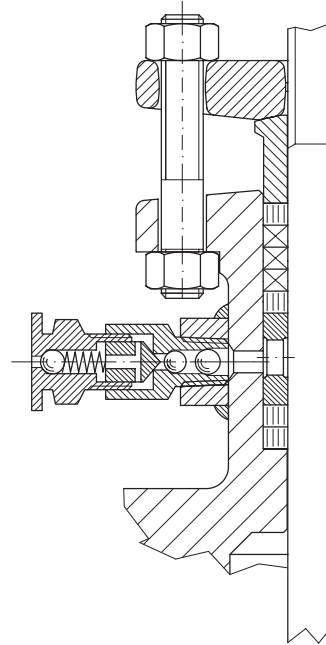
**Body Bonnet connection pressure seal design.**



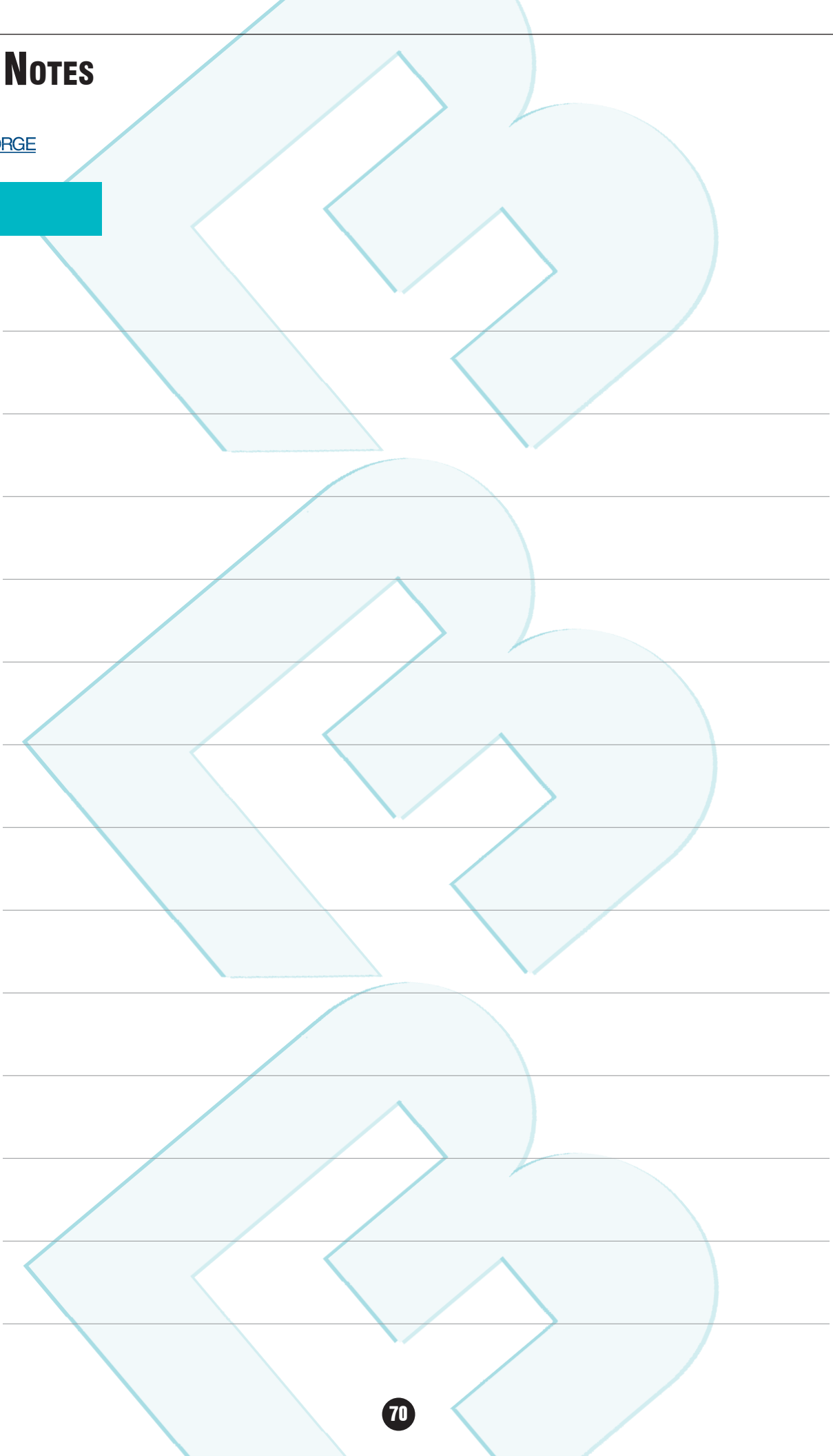
**Bonnet-Less type, non rotating stem, no rising handwheel, position indicator.**



**Special pipe connection such as clamp-lock, special B.W.E., nipples or other customer's request.**



**Valves can be supplied with a deep stuffing box with lantern ring and a double ball grease injector.**





---

Pressure-Temperature Ratings ....	72-90
Standard Materials Specification.....	91
Recommended Spare Parts for Forged Valves .....	92
Thread Standard ASME B1.20.1 .....	93
Socket Weld Standard ASME B16.11 .....	93
Valvolet® Run Pipe Consolidation.....	93
Valve Flow Coefficient .....	94-95

---

# TECHNICAL DATA

---



PSI - °F

MATERIALS: ASTM A105 N (a) - ASTM A350 LF2 (a)

BAR - °C

**STANDARD CLASS**

Temperature °F	150	300	400	600	800	900	1500	2500	4500
-20 to 100	285	740	990	1,480	1,975	2,220	3,705	6,170	11,110
200	260	675	900	1,350	1,800	2,025	3,375	5,625	10,120
300	230	655	875	1,315	1,750	1,970	3,280	5,470	9,845
400	200	635	845	1,270	1,690	1,900	3,170	5,280	9,505
500	170	600	800	1,200	1,595	1,795	2,995	4,990	8,980
600	140	550	730	1,095	1,460	1,640	2,735	4,560	8,210
650	125	535	715	1,075	1,430	1,610	2,685	4,475	8,055
700	110	535	710	1,065	1,420	1,600	2,665	4,440	7,990
750	95	505	670	1,010	1,345	1,510	2,520	4,200	7,560
800	80	410	550	825	1,100	1,235	2,060	3,430	6,170
850	65	270	355	535	715	805	1,340	2,230	4,010
900	50	170	230	345	460	515	860	1,430	2,570
950	35	105	140	205	275	310	515	860	1,545
1000	20	50	70	105	140	155	260	430	770

**SPECIAL CLASS**

Temperature °F	150	300	400	600	800	900	1500	2500	4500
-20 to 100	290	750	1,000	1,500	2,000	2,250	3,750	6,250	11,250
200	290	750	1,000	1,500	2,000	2,250	3,750	6,250	11,250
300	290	750	1,000	1,500	2,000	2,250	3,750	6,250	11,250
400	290	750	1,000	1,500	2,000	2,250	3,750	6,250	11,250
500	290	750	1,000	1,500	2,000	2,250	3,750	6,250	11,250
600	275	715	950	1,425	1,900	2,140	3,565	5,940	10,690
650	270	700	935	1,400	1,865	2,100	3,495	5,825	10,485
700	265	695	925	1,390	1,850	2,080	3,470	5,780	10,405
750	240	630	840	1,260	1,680	1,890	3,150	5,250	9,450
800	200	515	685	1,030	1,375	1,545	2,570	4,285	7,715
850	130	335	445	670	895	1,005	1,670	2,785	5,015
900	85	215	285	430	575	645	1,070	1,785	3,215
950	50	130	170	260	345	385	645	1,070	1,930
1000	25	65	85	130	175	195	320	535	965

**STANDARD CLASS**

Temperature °C	150	300	400	600	800	900	1500	2500	4500
-29 +38	19,7	51,0	68,3	102,0	136,2	153,1	255,5	425,4	766,0
93,3	17,9	46,5	62,1	93,1	124,1	139,6	232,7	387,8	697,8
148,9	15,9	45,2	60,3	90,7	120,7	135,8	226,2	377,2	678,8
204,4	13,8	43,8	58,3	87,6	116,5	131,0	218,6	364,1	655,4
260,0	11,7	41,4	55,2	82,7	110,0	123,8	206,5	344,1	619,2
315,6	9,7	37,9	50,3	75,5	100,7	113,1	188,6	314,4	566,1
343,3	8,6	36,9	49,3	74,1	98,6	111,0	185,1	308,6	555,4
371,1	7,6	36,9	49,0	73,4	97,9	110,3	183,8	306,1	550,9
398,9	6,6	34,8	46,2	69,6	92,7	104,1	173,8	289,6	521,3
426,7	5,5	28,3	37,9	56,9	75,8	85,2	142,0	236,5	425,4
454,4	4,5	18,6	24,5	36,9	49,3	55,5	92,4	153,8	276,5
482,2	3,4	11,7	15,9	23,8	31,7	35,5	59,3	98,6	177,2
510,0	2,4	7,2	9,7	14,1	19,0	21,4	35,5	59,3	106,5
537,8	1,4	3,4	4,8	7,2	9,6	10,7	17,9	29,6	53,1

**SPECIAL CLASS**

Temperature °C	150	300	400	600	800	900	1500	2500	4500
-29 +38	20,0	51,7	69,0	103,4	137,9	155,1	258,6	430,9	775,7
93,3	20,0	51,7	69,0	103,4	137,9	155,1	258,6	430,9	775,7
148,9	20,0	51,7	69,0	103,4	137,9	155,1	258,6	430,9	775,7
204,4	20,0	51,7	69,0	103,4	137,9	155,1	258,6	430,9	775,7
260,0	20,0	51,7	69,0	103,4	137,9	155,1	258,6	430,9	775,7
315,6	19,0	49,3	65,5	98,3	131,0	147,6	245,8	409,6	737,1
343,3	18,6	48,3	64,5	96,5	128,6	144,8	241,0	401,6	722,9
371,1	18,3	47,9	63,8	95,8	127,5	143,4	239,3	398,5	717,4
398,9	16,5	43,4	57,9	86,9	115,8	130,3	217,2	362,0	651,6
426,7	13,8	35,5	47,2	71,0	94,8	106,5	177,2	295,5	531,9
454,4	9,0	23,1	30,7	46,2	61,7	69,3	115,1	192,0	345,8
482,2	5,9	14,8	19,7	29,6	39,6	44,5	73,8	123,1	221,7
510,0	3,4	9,0	11,7	17,9	23,8	26,5	44,5	73,8	133,1
537,8	1,7	4,5	5,9	9,0	12,1	13,4	22,1	36,9	66,5

### PSI - °F

### MATERIALS: ASTM A182 F5 - ASTM A182 F5a

### BAR - °C

#### STANDARD CLASS

Note: for temperature > 1000°F valves in class 150 lbs are limited to BW Ends only.

Temperature °F	150	300	400	600	800	900	1500	2500	4500
-20 to 100	290	750	1,000	1,500	2,000	2,250	3,750	6,250	11,250
200	260	745	995	1,490	2,000	2,235	3,725	6,205	11,170
300	230	715	955	1,430	1,940	2,150	3,580	5,965	10,740
400	200	705	940	1,410	1,880	2,115	3,530	5,880	10,585
500	170	665	885	1,330	1,775	1,995	3,325	5,540	9,965
600	140	605	805	1,210	1,615	1,815	3,025	5,040	9,070
650	125	590	785	1,175	1,570	1,765	2,940	4,905	8,825
700	110	570	755	1,135	1,515	1,705	2,840	4,730	8,515
750	95	530	705	1,055	1,420	1,585	2,640	4,400	7,920
800	80	510	675	1,015	1,325	1,525	2,540	4,230	7,610
850	65	485	645	965	1,170	1,450	2,415	4,030	7,250
900	50	370	495	740	940	1,110	1,850	3,085	5,555
950	35	275	365	550	695	825	1,370	2,285	4,115
1000	20	200	265	400	510	595	995	1,655	2,985
1050	20	145	190	290	375	430	720	1,200	2,160
1100	20	100	135	200	275	300	495	830	1,490
1150	20	60	80	125	185	185	310	515	925
1200	15	35	45	70	120	105	170	285	515

#### SPECIAL CLASS

Temperature °F	150	300	400	600	800	900	1500	2500	4500
-20 to 100	290	750	1,000	1,500	2,000	2,250	3,750	6,250	11,250
200	290	750	1,000	1,500	2,000	2,250	3,750	6,250	11,250
300	280	730	970	1,455	1,940	2,185	3,645	6,070	10,930
400	275	720	960	1,440	1,920	2,160	3,600	6,000	10,800
500	275	720	960	1,440	1,920	2,160	3,600	6,000	10,800
600	270	705	945	1,415	1,885	2,120	3,535	5,895	10,605
650	270	700	930	1,395	1,860	2,095	3,495	5,820	10,480
700	265	685	915	1,370	1,825	2,055	3,430	5,715	10,285
750	255	660	880	1,320	1,760	1,980	3,300	5,500	9,900
800	245	640	850	1,275	1,700	1,915	3,195	5,320	9,580
850	230	605	805	1,210	1,615	1,815	3,020	5,035	9,065
900	175	465	615	925	1,235	1,390	2,315	3,855	6,945
950	130	345	455	685	915	1,030	1,715	2,855	5,145
1000	95	250	330	495	660	745	1,245	2,070	3,730
1050	70	180	240	360	480	540	900	1,500	2,700
1100	50	125	165	250	335	375	620	1,035	1,865
1150	30	75	105	155	205	230	385	645	1,155
1200	15	45	55	85	115	130	215	355	645

#### STANDARD CLASS

Note: for temperature > 540°C valves in class 150 lbs are limited to BW Ends only.

Temperature °C	150	300	400	600	800	900	1500	2500	4500
-29 +38	20,0	51,7	69,0	103,4	137,9	155,1	258,6	430,9	775,7
93,3	17,9	51,4	68,6	102,7	137,9	154,1	256,8	427,8	770,2
148,9	15,9	49,3	65,8	98,6	133,8	148,2	246,8	411,3	740,5
204,4	13,8	48,6	64,8	97,2	129,6	145,8	243,4	405,4	729,8
260,0	11,7	45,9	61,0	91,7	122,4	137,6	229,3	382,0	687,1
315,6	9,7	41,7	55,5	83,4	111,3	125,1	208,6	347,5	625,4
343,3	8,6	40,7	54,1	81,0	108,2	121,7	202,7	338,2	608,5
371,1	7,6	39,3	52,1	78,3	104,4	117,6	195,8	326,1	587,1
398,9	6,6	36,5	48,6	72,7	97,9	109,3	182,0	303,4	546,1
426,7	5,5	35,2	46,5	70,0	91,3	105,1	175,1	291,7	524,7
454,4	4,5	33,4	44,5	66,5	80,7	100,0	166,5	277,9	499,9
482,2	3,4	25,5	34,1	51,0	64,8	76,5	127,6	212,7	383,0
510,0	2,4	19,0	25,2	37,9	47,9	56,9	94,5	157,6	283,7
537,8	1,4	13,8	18,3	27,6	35,2	41,0	68,6	114,1	205,8
565,6	1,4	10,0	13,1	20,0	25,8	29,6	49,6	82,7	148,9
593,3	1,4	6,9	9,3	13,8	19,0	20,7	34,1	57,2	102,7
621,1	1,4	4,1	5,5	8,6	12,7	12,8	21,4	35,5	63,8
648,9	1,0	2,4	3,1	4,8	8,3	7,2	11,7	19,7	35,5

#### SPECIAL CLASS

Temperature °C	150	300	400	600	800	900	1500	2500	4500
-29 +38	20,0	51,7	69,0	103,4	137,9	155,1	258,6	430,9	775,7
93,3	20,0	51,7	69,0	103,4	137,9	155,1	258,6	430,9	775,7
148,9	19,3	50,3	66,9	100,3	133,8	150,7	251,3	418,5	753,6
204,4	19,0	49,6	66,2	99,3	132,4	148,9	248,2	413,7	744,7
260,0	19,0	49,6	66,2	99,3	132,4	148,9	248,2	413,7	744,7
315,6	18,6	48,6	65,2	97,6	129,9	146,2	243,7	406,5	731,2
343,3	18,6	48,3	64,1	96,2	128,2	144,5	241,0	401,3	722,6
371,1	18,3	47,2	63,1	94,5	125,9	141,7	236,5	394,0	709,2
398,9	17,6	45,5	60,7	91,0	121,3	136,5	227,5	379,2	682,6
426,7	16,9	44,1	58,6	87,9	117,2	132,0	220,3	366,8	660,5
454,4	15,9	41,7	55,5	83,4	111,3	125,1	208,2	347,2	625,0
482,2	12,1	32,1	42,4	63,8	85,1	95,8	159,6	265,8	478,9
510,0	9,0	23,8	31,4	47,2	63,1	71,0	118,2	196,9	354,7
537,8	6,6	17,2	22,8	34,1	45,5	51,4	85,8	142,7	257,2
565,6	4,8	12,4	16,5	24,8	33,1	37,2	62,1	103,4	186,2
593,3	3,4	8,6	11,4	17,2	23,1	25,9	42,7	71,4	128,6
621,1	2,1	5,2	7,2	10,7	14,1	15,9	26,5	44,5	79,6
648,9	1,0	3,1	3,8	5,9	7,9	9,0	14,8	24,5	44,5

**PSI - °F**

**MATERIALS: ASTM A182 F9**

**BAR - °C**

**STANDARD CLASS**

Note: for temperature > 1000°F valves in class 150 lbs are limited to BW Ends only.

Temperature °F	150	300	400	600	800	900	1500	2500	4500
-20 to 100	290	750	1,000	1,500	2,000	2,250	3,750	6,250	11,250
200	260	750	1,000	1,500	2,000	2,250	3,750	6,250	11,250
300	230	730	970	1,455	1,940	2,185	3,640	6,070	10,925
400	200	705	940	1,410	1,880	2,115	3,530	5,880	10,585
500	170	665	885	1,330	1,775	1,995	3,325	5,540	9,965
600	140	605	805	1,210	1,615	1,815	3,025	5,040	9,070
650	125	590	785	1,175	1,570	1,765	2,940	4,905	8,825
700	110	570	755	1,135	1,515	1,705	2,840	4,730	8,515
750	95	530	710	1,065	1,420	1,595	2,660	4,430	7,970
800	80	510	675	1,015	1,355	1,525	2,540	4,230	7,610
850	65	485	650	975	1,300	1,460	2,435	4,060	7,305
900	50	450	600	900	1,200	1,350	2,245	3,745	6,740
950	35	375	505	755	985	1,130	1,885	3,145	5,655
1000	20	255	340	505	780	760	1,270	2,115	3,805
1050	20	170	230	345	505	515	855	1,430	2,570
1100	20	115	150	225	300	340	565	945	1,695
1150	20	75	100	150	200	225	375	630	1,130
1200	20	50	70	105	140	155	255	430	770

**SPECIAL CLASS**

Temperature °F	150	300	400	600	800	900	1500	2500	4500
-20 to 100	290	750	1,000	1,500	2,000	2,250	3,750	6,250	11,250
200	290	750	1,000	1,500	2,000	2,250	3,750	6,250	11,250
300	290	750	1,000	1,500	2,000	2,250	3,750	6,250	11,250
400	290	750	1,000	1,500	2,000	2,250	3,750	6,250	11,250
500	290	750	1,000	1,500	2,000	2,250	3,750	6,250	11,250
600	290	750	1,000	1,500	2,000	2,250	3,750	6,250	11,250
650	290	750	1,000	1,500	2,000	2,250	3,750	6,250	11,250
700	280	735	980	1,465	1,955	2,200	3,665	6,110	10,995
750	280	730	970	1,460	1,945	2,185	3,645	6,070	10,930
800	275	720	960	1,440	1,920	2,160	3,600	6,000	10,800
850	260	680	905	1,355	1,805	2,030	3,385	5,645	10,160
900	230	600	800	1,200	1,600	1,800	3,000	5,000	9,000
950	180	470	630	945	1,260	1,415	2,355	3,930	7,070
1000	120	315	425	635	845	950	1,585	2,645	4,755
1050	80	215	285	430	575	645	1,070	1,785	3,215
1100	55	140	190	285	380	425	710	1,180	2,120
1150	35	95	125	190	255	285	470	785	1,415
1200	25	65	85	130	175	195	320	535	965

**STANDARD CLASS**

Note: for temperature > 540°C valves in class 150 lbs are limited to BW Ends only.

Temperature °C	150	300	400	600	800	900	1500	2500	4500
-29 +38	20,0	51,7	69,0	103,4	137,9	155,1	258,6	430,9	775,7
93,3	17,9	51,7	69,0	103,4	137,9	155,1	258,6	430,9	775,7
148,9	15,9	50,3	66,9	100,3	133,8	150,7	251,0	418,5	753,3
204,4	13,8	48,6	64,8	97,2	129,6	145,8	243,4	405,4	729,8
260,0	11,7	45,9	61,0	91,7	122,4	137,6	229,3	382,0	687,1
315,6	9,7	41,7	55,5	83,4	111,3	125,1	208,6	347,5	625,4
343,3	8,6	40,7	54,1	81,0	108,2	121,7	202,7	338,2	608,5
371,1	7,6	39,3	52,1	78,3	104,4	117,6	195,8	326,1	587,1
398,9	6,6	36,5	49,0	73,4	97,9	110,0	183,4	305,4	549,5
426,7	5,5	35,2	46,5	70,0	93,4	105,1	175,1	291,7	524,7
454,4	4,5	33,4	44,8	67,2	89,6	100,7	167,9	279,9	503,7
482,2	3,4	31,0	41,4	62,1	82,7	93,1	154,8	258,2	464,7
510,0	2,4	25,9	34,8	52,1	67,9	77,9	130,0	216,8	389,9
537,8	1,4	17,6	23,4	34,8	53,8	52,4	87,6	145,8	262,4
565,6	1,4	11,7	15,9	23,8	34,8	35,5	59,0	98,6	177,2
593,3	1,4	7,9	10,3	15,5	20,7	23,4	39,0	65,2	116,9
621,1	1,4	5,2	6,9	10,3	13,8	15,5	25,9	43,4	77,9
648,9	1,4	3,4	4,8	7,2	9,6	10,7	17,6	29,6	53,1

**SPECIAL CLASS**

Temperature °C	150	300	400	600	800	900	1500	2500	4500
-29 +38	20,0	51,7	69,0	103,4	137,9	155,1	258,6	430,9	775,7
93,3	20,0	51,7	69,0	103,4	137,9	155,1	258,6	430,9	775,7
148,9	20,0	51,7	69,0	103,4	137,9	155,1	258,6	430,9	775,7
204,4	20,0	51,7	69,0	103,4	137,9	155,1	258,6	430,9	775,7
260,0	20,0	51,7	69,0	103,4	137,9	155,1	258,6	430,9	775,7
315,6	20,0	51,7	69,0	103,4	137,9	155,1	258,6	430,9	775,7
343,3	20,0	51,7	69,0	103,4	137,9	155,1	258,6	430,9	775,7
371,1	19,3	50,7	67,6	101,0	134,7	151,7	252,7	421,3	758,1
398,9	19,3	50,3	66,9	100,7	134,1	150,7	251,3	418,5	753,6
426,7	19,0	49,6	66,2	99,3	132,3	148,9	248,2	413,7	744,7
454,4	17,9	46,9	62,4	93,4	124,4	140,0	233,4	389,2	700,5
482,2	15,9	41,4	55,2	82,7	110,3	124,1	206,9	344,8	620,6
510,0	12,4	32,4	43,4	65,2	86,8	97,6	162,4	271,0	487,5
537,8	8,3	21,7	29,3	43,8	58,2	65,5	109,3	182,4	327,9
565,6	5,5	14,8	19,7	29,6	39,6	44,5	73,8	123,1	221,7
593,3	3,8	9,7	13,1	19,7	26,2	29,3	49,0	81,4	146,2
621,1	2,4	6,6	8,6	13,1	17,5	19,7	32,4	54,1	97,6
648,9	1,7	4,5	5,9	9,0	12,1	13,4	22,1	36,9	66,5

**PSI - °F**

**MATERIALS: ASTM A182 F91**

**BAR - °C**

<b>STANDARD CLASS</b>									
Note: for temperature > 1000°F valves in class 150 lbs are limited to BW Ends only.									
Temperature °F	150	300	400	600	800	900	1500	2500	4500
-20 to 100	290	750	1,000	1,500	2,000	2,250	3,750	6,250	11,250
200	260	750	1,000	1,500	2,000	2,250	3,750	6,250	11,250
300	230	730	970	1,455	1,940	2,185	3,640	6,070	10,925
400	200	705	940	1,410	1,880	2,115	3,530	5,880	10,585
500	170	665	885	1,330	1,775	1,995	3,325	5,540	9,965
600	140	605	805	1,210	1,615	1,815	3,025	5,040	9,070
650	125	590	785	1,175	1,570	1,765	2,940	4,905	8,825
700	110	570	755	1,135	1,515	1,705	2,840	4,730	8,515
750	95	530	710	1,065	1,420	1,595	2,660	4,430	7,970
800	80	510	675	1,015	1,355	1,525	2,540	4,230	7,610
850	65	485	650	975	1,300	1,460	2,435	4,060	7,305
900	50	450	600	900	1,200	1,350	2,245	3,745	6,740
950	35	385	515	775	1,030	1,160	1,930	3,220	5,795
1000	20	365	485	725	970	1,090	1,820	3,030	5,450
1050	20	360	480	720	960	1,080	1,800	3,000	5,400
1100	20	300	400	605	805	905	1,510	2,515	4,525
1150	20	225	295	445	595	670	1,115	1,855	3,345
1200	20	145	190	290	385	430	720	1,200	2,160

<b>SPECIAL CLASS</b>									
Temperature °F	150	300	400	600	800	900	1500	2500	4500
-20 to 100	290	750	1,000	1,500	2,000	2,250	3,750	6,250	11,250
200	290	750	1,000	1,500	2,000	2,250	3,750	6,250	11,250
300	290	750	1,000	1,500	2,000	2,250	3,750	6,250	11,250
400	290	750	1,000	1,500	2,000	2,250	3,750	6,250	11,250
500	290	750	1,000	1,500	2,000	2,250	3,750	6,250	11,250
600	290	750	1,000	1,500	2,000	2,250	3,750	6,250	11,250
650	290	750	1,000	1,500	2,000	2,250	3,750	6,250	11,250
700	280	735	980	1,465	1,955	2,200	3,665	6,110	10,995
750	280	730	970	1,460	1,945	2,185	3,645	6,070	10,930
800	275	720	960	1,440	1,920	2,160	3,600	6,000	10,800
850	260	680	905	1,355	1,805	2,030	3,385	5,645	10,160
900	230	600	800	1,200	1,600	1,800	3,000	5,000	9,000
950	180	470	630	945	1,260	1,415	2,360	3,930	7,070
1000	160	420	560	840	1,120	1,260	2,105	3,505	6,310
1050	160	420	560	840	1,120	1,260	2,105	3,505	6,310
1100	145	375	505	755	1,005	1,130	1,885	3,145	5,655
1150	105	280	370	555	740	835	1,395	2,320	4,180
1200	70	180	240	360	480	540	900	1,500	2,700

<b>STANDARD CLASS</b>									
Note: for temperature > 540°C valves in class 150 lbs are limited to BW Ends only.									
Temperature °C	150	300	400	600	800	900	1500	2500	4500
-29 +38	20,0	51,7	69,0	103,4	137,9	155,1	258,6	430,9	775,7
93,3	17,9	51,7	69,0	103,4	137,9	155,1	258,6	430,9	775,7
148,9	15,9	50,3	66,9	100,3	133,8	150,7	251,0	418,5	753,3
204,4	13,8	48,6	64,8	97,2	129,6	145,8	243,4	405,4	729,8
260,0	11,7	45,9	61,0	91,7	122,4	137,6	229,3	382,0	687,1
315,6	9,7	41,7	55,5	83,4	111,3	125,1	208,6	347,5	625,4
343,3	8,6	40,7	54,1	81,0	108,2	121,7	202,7	338,2	608,5
371,1	7,6	39,3	52,1	78,3	104,4	117,6	195,8	326,1	587,1
398,9	6,6	36,5	49,0	73,4	97,9	110,0	183,4	305,4	549,5
426,7	5,5	35,2	46,5	70,0	93,4	105,1	175,1	291,7	524,7
454,4	4,5	33,4	44,8	67,2	89,6	100,7	167,9	279,9	503,7
482,2	3,4	31,0	41,4	62,1	82,7	93,1	154,8	258,2	464,7
510,0	2,4	26,6	35,5	53,4	71,0	80,0	133,1	222,0	339,7
537,8	1,4	25,1	33,4	50,0	66,9	75,1	125,5	209,0	375,9
565,6	1,4	24,8	33,1	49,7	66,2	74,5	124,1	206,9	372,4
593,3	1,4	20,7	27,6	41,7	55,5	62,4	104,1	173,4	312,0
621,1	1,4	15,5	20,3	30,7	41,0	46,2	76,9	127,9	230,7
648,9	1,4	10,0	13,1	20,0	26,5	29,7	49,7	82,8	149,0

<b>SPECIAL CLASS</b>									
Note: for temperature > 540°C valves in class 150 lbs are limited to BW Ends only.									
Temperature °C	150	300	400	600	800	900	1500	2500	4500
-29 +38	20,0	51,7	69,0	103,4	137,9	155,1	258,6	430,9	775,7
93,3	20,0	51,7	69,0	103,4	137,9	155,1	258,6	430,9	775,7
148,9	20,0	51,7	69,0	103,4	137,9	155,1	258,6	430,9	775,7
204,4	20,0	51,7	69,0	103,4	137,9	155,1	258,6	430,9	775,7
260,0	20,0	51,7	69,0	103,4	137,9	155,1	258,6	430,9	775,7
315,6	20,0	51,7	69,0	103,4	137,9	155,1	258,6	430,9	775,7
343,3	20,0	51,7	69,0	103,4	137,9	155,1	258,6	430,9	775,7
371,1	19,3	50,7	67,6	101,0	134,8	151,7	252,7	421,3	758,1
398,9	19,3	50,3	66,9	100,7	134,1	150,7	251,3	418,5	753,6
426,7	19,0	49,6	66,2	99,3	132,4	148,9	248,2	413,7	744,7
454,4	17,9	46,9	62,4	93,4	124,4	140,0	233,4	389,2	700,5
482,2	15,9	41,4	55,2	82,8	110,3	124,1	206,9	344,8	620,7
510,0	12,4	32,4	43,4	65,2	86,9	97,6	162,8	271,0	487,6
537,8	11,0	29,0	38,6	57,9	77,2	86,9	145,1	241,7	435,1
565,6	11,0	29,0	38,6	57,9	77,2	86,9	145,1	241,7	435,1
593,3	10,0	25,9	34,8	52,1	69,3	77,9	130,0	216,9	390,0
621,1	7,2	19,3	25,5	38,3	51	57,6	96,2	160,0	288,2
648,9	4,8	12,4	16,6	24,8	33,1	37,2	62,1	103,5	186,2

**PSI - °F**

**MATERIALS: ASTM A182 F11 CL2 (h) - ASTM A182 F12 CL2 (h)**

**BAR - °C**

**STANDARD CLASS**

Note: for temperature > 1000°F valves in class 150 lbs are limited to BW Ends only.

Temperature °F	150	300	400	600	800	900	1500	2500	4500
-20 to 100	290	750	1,000	1,500	2,000	2,250	3,750	6,250	11,250
200	260	750	1,000	1,500	1,900	2,250	3,750	6,250	11,250
300	230	720	965	1,445	1,795	2,165	3,610	6,015	10,830
400	200	695	925	1,385	1,755	2,080	3,465	5,775	10,400
500	170	665	885	1,330	1,710	1,995	3,325	5,540	9,965
600	140	605	805	1,210	1,615	1,815	3,025	5,040	9,070
650	125	590	785	1,175	1,570	1,765	2,940	4,905	8,825
700	110	570	755	1,135	1,515	1,705	2,840	4,730	8,515
750	95	530	710	1,065	1,420	1,595	2,660	4,430	7,970
800	80	510	675	1,015	1,355	1,525	2,540	4,230	7,610
850	65	485	650	975	1,300	1,460	2,435	4,060	7,305
900	50	450	600	900	1,200	1,350	2,245	3,745	6,740
950	35	320	425	640	1,005	955	1,595	2,655	4,785
1000	20	215	290	430	595	650	1,080	1,800	3,240
1050	20	145	190	290	365	430	720	1,200	2,160
1100	20	95	130	190	255	290	480	800	1,440
1150	20	60	80	125	140	185	310	515	925
1200	15	40	50	75	95	115	190	315	565

**SPECIAL CLASS**

Note: for temperature > 1000°F valves in class 150 lbs are limited to BW Ends only.

Temperature °F	150	300	400	600	800	900	1500	2500	4500
-20 to 100	290	750	1,000	1,500	2,000	2,250	3,750	6,250	11,250
200	290	750	1,000	1,500	2,000	2,250	3,750	6,250	11,250
300	290	750	1,000	1,500	2,000	2,250	3,750	6,250	11,250
400	290	750	1,000	1,500	2,000	2,250	3,750	6,250	11,250
500	290	750	1,000	1,500	2,000	2,250	3,750	6,250	11,250
600	290	750	1,000	1,500	2,000	2,250	3,750	6,250	11,250
650	290	750	1,000	1,500	2,000	2,250	3,750	6,250	11,250
700	280	735	980	1,465	1,955	2,200	3,665	6,110	10,995
750	280	730	970	1,460	1,945	2,185	3,645	6,070	10,930
800	275	720	960	1,440	1,920	2,160	3,600	6,000	10,800
850	260	680	905	1,355	1,805	2,030	3,385	5,645	10,160
900	225	585	785	1,175	1,565	1,760	2,935	4,895	8,805
950	155	400	530	795	1,060	1,195	1,995	3,320	5,980
1000	105	270	360	540	720	810	1,350	2,250	4,050
1050	70	180	240	360	480	540	900	1,500	2,700
1100	45	120	160	240	320	360	600	1,000	1,800
1150	30	75	105	155	205	230	385	645	1,155
1200	20	45	65	95	125	140	235	395	705

**STANDARD CLASS**

Note: for temperature > 540°C valves in class 150 lbs are limited to BW Ends only.

Temperature °C	150	300	400	600	800	900	1500	2500	4500
-29 +38	20,0	51,7	69,0	103,4	137,9	155,1	258,6	430,9	775,7
93,3	17,9	51,7	69,0	103,4	131,0	151,1	258,6	430,9	775,7
148,9	15,9	49,6	66,5	99,6	123,8	149,3	248,9	414,7	746,7
204,4	13,8	47,9	63,8	95,5	121,0	143,4	238,9	398,2	717,1
260,0	11,7	45,9	61,0	91,7	117,9	137,6	229,3	382,0	687,1
315,6	9,7	41,7	55,5	83,4	111,3	125,1	208,6	347,5	625,4
343,3	8,6	40,7	54,1	81,0	108,2	121,7	202,7	338,2	608,5
371,1	7,6	39,3	52,1	78,3	104,4	117,6	195,8	326,1	587,1
398,9	6,6	36,5	49,0	73,4	97,9	110,0	183,4	305,4	549,5
426,7	5,5	35,2	46,5	70,0	93,4	105,1	175,1	291,7	524,7
454,4	4,5	33,4	44,8	67,2	89,6	100,7	167,9	279,9	503,7
482,2	3,4	31,0	41,4	62,1	82,7	93,1	154,8	258,2	464,7
510,0	2,4	22,1	29,3	44,1	69,3	65,8	110,0	183,1	329,9
537,8	1,4	14,8	20,0	29,6	41,0	44,8	74,5	124,1	223,4
565,6	1,4	10,0	13,1	20,0	25,2	29,6	49,6	82,7	148,9
593,3	1,4	6,6	9,0	13,1	17,6	20,0	33,1	55,2	99,3
621,1	1,4	4,1	5,5	8,6	9,6	12,8	21,4	35,5	63,8
648,9	1,0	2,8	3,4	5,2	6,5	7,9	13,1	21,7	39,0

**SPECIAL CLASS**

Note: for temperature > 540°C valves in class 150 lbs are limited to BW Ends only.

Temperature °C	150	300	400	600	800	900	1500	2500	4500
-29 +38	20,0	51,7	69,0	103,4	137,9	155,1	258,6	430,9	775,7
93,3	20,0	51,7	69,0	103,4	137,9	155,1	258,6	430,9	775,7
148,9	20,0	51,7	69,0	103,4	137,9	155,1	258,6	430,9	775,7
204,4	20,0	51,7	69,0	103,4	137,9	155,1	258,6	430,9	775,7
260,0	20,0	51,7	69,0	103,4	137,9	155,1	258,6	430,9	775,7
315,6	20,0	51,7	69,0	103,4	137,9	155,1	258,6	430,9	775,7
343,3	20,0	51,7	69,0	103,4	137,9	155,1	258,6	430,9	775,7
371,1	19,3	50,7	67,6	101,0	134,7	151,7	252,7	421,3	758,1
398,9	19,3	50,3	66,9	100,7	134,1	150,7	251,3	418,5	753,6
426,7	19,0	49,6	66,2	99,3	132,3	148,9	248,2	413,7	744,7
454,4	17,9	46,9	62,4	93,4	124,4	140,0	233,4	389,2	700,5
482,2	15,5	40,3	54,1	81,0	107,9	121,4	202,4	337,5	607,1
510,0	10,7	27,6	36,5	54,8	73,1	82,4	137,6	228,9	412,3
537,8	7,2	18,6	24,8	37,2	49,6	55,8	93,1	155,1	279,2
565,6	4,8	12,4	16,5	24,8	33,1	37,2	62,1	103,4	186,2
593,3	3,1	8,3	11,0	16,5	22,1	24,8	41,4	69,0	124,1
621,1	2,1	5,2	7,2	10,7	14,1	15,9	26,5	44,5	79,6
648,9	1,4	3,1	4,5	6,6	8,6	9,7	16,2	27,2	48,6

**PSI - °F**

**MATERIALS: ASTM A182 F22 CL3 (b)**

**BAR - °C**

**STANDARD CLASS**

Note: for temperature > 1000°F valves in class 150 lbs are limited to BW Ends only.

Temperature °F	150	300	400	600	800	900	1500	2500	4500
-20 to 100	290	750	1,000	1,500	2,000	2,250	3,750	6,250	11,250
200	260	750	1,000	1,500	2,000	2,250	3,750	6,250	11,250
300	230	730	970	1,455	1,940	2,185	3,640	6,070	10,925
400	200	705	940	1,410	1,880	2,115	3,530	5,880	10,585
500	170	665	885	1,330	1,775	1,995	3,325	5,540	9,965
600	140	605	805	1,210	1,615	1,815	3,025	5,040	9,070
650	125	590	785	1,175	1,570	1,765	2,940	4,905	8,825
700	110	570	755	1,135	1,515	1,705	2,840	4,730	8,515
750	95	530	710	1,065	1,420	1,595	2,660	4,430	7,970
800	80	510	675	1,015	1,355	1,525	2,540	4,230	7,610
850	65	485	650	975	1,300	1,460	2,435	4,060	7,305
900	50	450	600	900	1,200	1,350	2,245	3,745	6,740
950	35	375	505	755	1,005	1,130	1,885	3,145	5,665
1000	20	260	345	520	695	780	1,305	2,170	3,910
1050	20	175	235	350	465	525	875	1,455	2,625
1100	20	110	145	220	295	330	550	915	1,645
1150	20	70	90	135	180	205	345	570	1,030
1200	20	40	55	80	110	125	205	345	615

**SPECIAL CLASS**

Temperature °F	150	300	400	600	800	900	1500	2500	4500
-20 to 100	290	750	1,000	1,500	2,000	2,250	3,750	6,250	11,250
200	290	750	1,000	1,500	2,000	2,250	3,750	6,250	11,250
300	285	740	990	1,485	1,980	2,225	3,705	6,180	11,120
400	280	725	965	1,450	1,935	2,175	3,620	6,035	10,865
500	275	720	960	1,440	1,920	2,160	3,600	6,000	10,800
600	275	720	960	1,440	1,920	2,160	3,600	6,000	10,800
650	275	715	955	1,430	1,905	2,145	3,580	5,965	10,735
700	275	710	955	1,425	1,900	2,135	3,555	5,930	10,670
750	265	690	920	1,380	1,840	2,070	3,450	5,750	10,350
800	260	675	895	1,345	1,795	2,020	3,365	5,605	10,095
850	245	645	855	1,285	1,715	1,930	3,215	5,355	9,645
900	230	600	800	1,200	1,600	1,800	3,000	5,000	9,000
950	180	470	630	945	1,260	1,415	2,355	3,930	7,070
1000	125	325	435	650	865	975	1,630	2,715	4,885
1050	85	220	290	435	580	655	1,095	1,820	3,280
1100	55	135	185	275	365	410	685	1,145	2,055
1150	35	85	115	170	225	255	430	715	1,285
1200	25	50	70	105	140	155	255	430	770

**STANDARD CLASS**

Note: for temperature > 540°C valves in class 150 lbs are limited to BW Ends only.

Temperature °C	150	300	400	600	800	900	1500	2500	4500
-29 +38	20,0	51,7	69,0	103,4	137,9	155,1	258,6	430,9	775,7
93,3	17,9	51,7	69,0	103,4	137,9	155,1	258,6	430,9	775,7
148,9	15,9	50,3	66,9	100,3	133,7	150,7	251,0	418,5	753,3
204,4	13,8	48,6	64,8	97,2	129,6	145,8	243,4	405,4	729,8
260,0	11,7	45,9	61,0	91,7	122,4	137,6	229,3	382,0	687,1
315,6	9,7	41,7	55,5	83,4	111,3	125,1	208,6	347,5	625,4
343,3	8,6	40,7	54,1	81,0	108,2	121,7	202,7	338,2	608,5
371,1	7,6	39,3	52,1	78,3	104,4	117,6	195,8	326,1	587,1
398,9	6,6	36,5	49,0	73,4	97,9	110,0	183,4	305,4	549,5
426,7	5,5	35,2	46,5	70,0	86,5	105,1	175,1	291,7	524,7
454,4	4,5	33,4	44,8	67,2	89,6	100,7	167,9	279,9	503,7
482,2	3,4	31,0	41,4	62,1	82,7	93,1	154,8	258,2	464,7
510,0	2,4	25,9	34,8	52,1	69,3	77,9	130,0	216,8	390,6
537,8	1,4	17,9	23,8	35,9	48,0	53,8	90,0	149,6	269,6
565,6	1,4	12,1	16,2	24,1	32,1	36,2	60,3	100,3	181,0
593,3	1,4	7,6	10,0	15,2	20,3	22,8	37,9	63,1	113,4
621,1	1,4	4,8	6,2	9,3	12,4	14,1	23,8	39,3	71,0
648,9	1,4	2,8	3,8	5,5	7,6	8,6	14,1	23,8	42,4

**SPECIAL CLASS**

Temperature °C	150	300	400	600	800	900	1500	2500	4500
-29 +38	20,0	51,7	69,0	103,4	137,9	155,1	258,6	430,9	775,7
93,3	20,0	51,7	69,0	103,4	137,9	155,1	258,6	430,9	775,7
148,9	19,7	51,0	68,3	102,4	136,5	153,4	255,5	426,1	766,7
204,4	19,3	50,0	66,5	100,0	133,4	150,0	249,6	416,1	749,1
260,0	19,0	49,6	66,2	99,3	132,4	148,9	248,2	413,7	744,7
315,6	19,0	49,6	66,2	99,3	132,4	148,9	248,2	413,7	744,7
343,3	19,0	49,3	65,8	98,6	131,3	147,9	246,8	411,3	740,2
371,1	19,0	49,0	65,8	98,3	131,0	147,2	245,1	408,9	735,7
398,9	18,3	47,6	63,4	95,2	126,9	142,7	237,9	396,5	713,6
426,7	17,9	46,5	61,7	92,7	123,8	139,3	232,0	386,5	696,1
454,4	16,9	44,5	59,0	88,6	118,2	133,1	221,7	369,2	665,0
482,2	15,9	41,4	55,2	82,7	110,3	124,1	206,9	344,8	620,6
510,0	12,4	32,4	43,4	65,2	86,9	97,6	162,4	271,0	487,5
537,8	8,6	22,4	30,0	44,8	59,6	67,2	112,4	187,2	336,8
565,6	5,9	15,2	20,0	30,0	40,0	45,2	75,5	125,5	226,2
593,3	3,8	9,3	12,8	19,0	25,2	28,3	47,2	78,9	141,7
621,1	2,4	5,9	7,9	11,7	15,5	17,6	29,6	49,3	88,6
648,9	1,7	3,4	4,8	7,2	9,6	10,7	17,6	29,6	53,1







PSI - °F										MATERIALS: ASTM A182 F304 L (d) - ASTM A182 F316 L										BAR - °C									
<b>STANDARD CLASS</b>										<b>STANDARD CLASS</b>										<b>STANDARD CLASS</b>									
Temperature °F	150	300	400	600	800	900	1500	2500	4500	Temperature °C	150	300	400	600	800	900	1500	2500	4500	Temperature °C	150	300	400	600	800	900	1500	2500	4500
-20 to 100	230	600	800	1,200	1,600	1,800	3,000	5,000	9,000	-29 +38	15,9	41,4	55,2	82,7	110,3	124,1	206,9	344,8	620,6	-29 +38	17,6	46,2	61,4	92,4	123,1	138,2	230,6	384,1	691,6
200	195	505	675	1,015	1,350	1,520	2,530	4,220	7,595	93,3	13,4	34,8	46,5	70,0	93,1	104,8	174,4	291,0	523,7	93,3	14,8	39,0	52,1	77,9	103,8	116,9	194,8	324,8	584,7
300	175	455	605	910	1,210	1,360	2,270	3,780	6,805	148,9	12,1	31,4	41,7	62,7	83,4	93,8	156,5	260,6	469,2	148,9	13,4	34,8	46,5	69,6	93,1	104,8	174,4	290,6	523,0
400	160	415	550	825	1,100	1,240	2,065	3,440	6,190	204,4	11,0	28,6	37,9	56,9	75,8	85,5	142,4	237,2	426,8	204,4	12,1	31,7	42,4	63,4	84,8	95,5	158,9	264,8	476,4
500	145	380	510	765	1,020	1,145	1,910	3,180	5,725	260,0	10,0	26,2	35,2	52,7	70,3	78,9	131,7	219,3	394,7	260,0	11,4	29,3	39,3	58,6	78,2	88,3	146,9	244,8	440,6
600	140	360	480	720	960	1,080	1,800	3,000	5,400	315,6	9,7	24,8	33,1	49,6	66,2	74,5	124,1	206,9	372,3	315,6	10,7	27,6	36,9	55,5	73,8	83,1	138,6	231,0	415,4
650	125	350	470	700	935	1,050	1,750	2,920	5,255	343,3	8,6	24,1	32,4	48,3	64,5	72,4	120,7	201,3	362,3	343,3	10,3	26,9	35,9	53,8	71,7	80,7	134,5	224,1	403,4
700	110	345	460	685	915	1,030	1,715	2,860	5,150	371,1	7,6	23,8	31,7	47,2	63,1	71,0	118,2	197,2	355,1	371,1	10,0	26,2	35,2	52,7	70,3	78,9	131,7	219,3	394,4
750	95	335	450	670	895	1,010	1,680	2,800	5,040	398,9	6,6	23,1	31,0	46,2	61,7	69,6	115,8	193,1	347,5	398,9	10,0	25,9	34,5	51,4	68,6	77,2	128,6	214,4	385,8
800	80	330	440	660	875	985	1,645	2,740	4,930	426,7	5,5	22,8	30,3	45,5	60,3	67,9	113,4	188,9	339,9	426,7	9,7	25,2	33,8	50,7	67,6	75,8	126,5	211,0	379,6
850	65	320	430	645	860	965	1,610	2,680	4,825	454,4	4,5	22,1	29,6	44,5	59,3	66,5	111,0	184,8	332,7	454,4	9,7	24,8	33,1	49,6	65,8	74,1	123,8	206,2	371,3
<b>SPECIAL CLASS</b>										<b>SPECIAL CLASS</b>										<b>SPECIAL CLASS</b>									
Temperature °F	150	300	400	600	800	900	1500	2500	4500	Temperature °C	150	300	400	600	800	900	1500	2500	4500	Temperature °C	150	300	400	600	800	900	1500	2500	4500
-20 to 100	255	670	890	1,340	1,785	2,005	3,345	5,570	10,030	-29 +38	17,6	46,2	61,4	92,4	123,1	138,2	230,6	384,1	691,6	-29 +38	17,6	46,2	61,4	92,4	123,1	138,2	230,6	384,1	691,6
200	215	565	755	1,130	1,505	1,695	2,825	4,710	8,480	93,3	14,8	39,0	52,1	77,9	103,8	116,9	194,8	324,8	584,7	93,3	14,8	39,0	52,1	77,9	103,8	116,9	194,8	324,8	584,7
300	195	505	675	1,010	1,350	1,520	2,530	4,215	7,585	148,9	13,4	34,8	46,5	69,6	93,1	104,8	174,4	290,6	523,0	148,9	13,4	34,8	46,5	69,6	93,1	104,8	174,4	290,6	523,0
400	175	460	615	920	1,230	1,385	2,305	3,840	6,910	204,4	12,1	31,7	42,4	63,4	84,8	95,5	158,9	264,8	476,4	204,4	12,1	31,7	42,4	63,4	84,8	95,5	158,9	264,8	476,4
500	165	425	570	850	1,135	1,280	2,130	3,550	6,390	260,0	11,4	29,3	39,3	58,6	78,2	88,3	146,9	244,8	440,6	260,0	11,4	29,3	39,3	58,6	78,2	88,3	146,9	244,8	440,6
600	155	400	535	805	1,070	1,205	2,010	3,350	6,025	315,6	10,7	27,6	36,9	55,5	73,8	83,1	138,6	231,0	415,4	315,6	10,7	27,6	36,9	55,5	73,8	83,1	138,6	231,0	415,4
650	150	390	520	780	1,040	1,170	1,950	3,250	5,850	343,3	10,3	26,9	35,9	53,8	71,7	80,7	134,5	224,1	403,4	343,3	10,3	26,9	35,9	53,8	71,7	80,7	134,5	224,1	403,4
700	145	380	510	765	1,020	1,145	1,910	3,180	5,720	371,1	10,0	26,2	35,2	52,7	70,3	78,9	131,7	219,3	394,4	371,1	10,0	26,2	35,2	52,7	70,3	78,9	131,7	219,3	394,4
750	145	375	500	745	995	1,120	1,865	3,110	5,595	398,9	10,0	25,9	34,5	51,4	68,6	77,2	128,6	214,4	385,8	398,9	10,0	25,9	34,5	51,4	68,6	77,2	128,6	214,4	385,8
800	140	365	490	735	980	1,100	1,835	3,060	5,505	426,7	9,7	25,2	33,8	50,7	67,6	75,8	126,5	211,0	379,6	426,7	9,7	25,2	33,8	50,7	67,6	75,8	126,5	211,0	379,6
850	140	360	480	720	955	1,075	1,795	2,990	5,385	454,4	9,7	24,8	33,1	49,6	65,8	74,1	123,8	206,2	371,3	454,4	9,7	24,8	33,1	49,6	65,8	74,1	123,8	206,2	371,3









**PSI - °F**

**MATERIALS: ASTM B564 N06625 (h)**

**BAR - °C**

**STANDARD CLASS**

Note: for temperature > 1000°F valves in class 150 lbs are limited to BW Ends only.

Temperature °F	150	300	400	600	800	900	1500	2500	4500
-20 to 100	290	750	1,000	1,500	2,000	2,250	3,750	6,250	11,250
200	260	750	1,000	1,500	2,000	2,250	3,750	6,250	11,250
300	230	730	970	1,455	1,942	2,185	3,640	6,070	10,925
400	200	705	940	1,410	1,880	2,115	3,530	5,880	10,585
500	170	665	885	1,330	1,773	1,995	3,325	5,540	9,965
600	140	605	805	1,210	1,613	1,815	3,025	5,040	9,070
650	125	590	785	1,175	1,568	1,765	2,940	4,905	8,825
700	110	570	755	1,135	1,515	1,705	2,840	4,730	8,515
750	95	530	710	1,065	1,418	1,595	2,600	4,430	7,970
800	80	510	675	1,015	1,355	1,525	2,540	4,230	7,610
850	65	485	650	975	1,298	1,460	2,435	4,060	7,305
900	50	450	600	900	1,200	1,350	2,245	3,745	6,740
950	35	385	515	775	1,032	1,160	1,930	3,220	5,795
1000	20	365	485	725	968	1,090	1,820	3,030	5,450
1050	20	360	480	720	960	1,080	1,800	3,000	5,400
1100	20	325	430	645	858	965	1,610	2,685	4,835
1150	20	275	365	550	733	825	1,370	2,285	4,115
1200	20	185	245	370	493	555	925	1,545	2,775
1250	20	145	195	295	392	440	735	1,220	2,200
1300	20	110	145	215	288	325	540	900	1,620

**SPECIAL CLASS**

Temperature °F	150	300	400	600	800	900	1500	2500	4500
-20 to 100	290	750	1,000	1,500	2,000	2,250	3,750	6,250	11,250
200	290	750	1,000	1,500	2,000	2,250	3,750	6,250	11,250
300	290	750	1,000	1,500	2,000	2,250	3,750	6,250	11,250
400	290	750	1,000	1,500	2,000	2,250	3,750	6,250	11,250
500	285	740	990	1,485	1,980	2,225	3,710	6,185	11,130
600	275	725	965	1,445	1,930	2,170	3,615	6,025	10,850
650	270	710	945	1,420	1,895	2,130	3,550	5,915	10,645
700	265	695	930	1,395	1,860	2,090	3,480	5,805	10,445
750	265	690	920	1,380	1,845	2,075	3,455	5,760	10,365
800	265	685	915	1,370	1,825	2,055	3,430	5,715	10,285
850	260	675	900	1,350	1,800	2,025	3,375	5,625	10,125
900	230	600	800	1,200	1,600	1,800	3,000	5,000	9,000
950	180	470	630	945	1,260	1,415	2,360	3,930	7,070
1000	160	420	560	840	1,120	1,260	2,105	3,505	6,310
1050	160	420	560	840	1,120	1,260	2,105	3,505	6,310
1100	155	405	540	805	1,075	1,210	2,015	3,360	6,045
1150	130	345	460	685	915	1,030	1,715	2,860	5,145
1200	90	240	320	480	645	725	1,205	2,010	3,615
1250	75	190	255	380	510	575	955	1,590	2,865
1300	55	140	190	280	375	420	705	1,170	2,110

**STANDARD CLASS**

Note: for temperature > 540°C valves in class 150 lbs are limited to BW Ends only.

Temperature °C	150	300	400	600	800	900	1500	2500	4500
-29 +38	20,0	51,7	69,0	103,4	137,9	155,1	258,6	430,9	775,7
93,3	17,9	51,7	69,0	103,4	137,9	155,1	258,6	430,9	775,7
148,9	15,9	50,3	66,9	100,3	133,9	150,7	251,0	418,5	753,3
204,4	13,8	48,6	64,8	97,2	129,6	145,8	243,4	405,4	729,8
260,0	11,7	45,9	61,0	91,7	122,2	137,6	229,3	382,0	687,1
315,6	9,7	41,7	55,5	83,4	111,2	125,1	208,6	347,5	625,4
343,3	8,6	40,7	54,1	81,0	108,1	121,7	202,7	338,2	608,5
371,1	7,6	39,3	52,1	78,3	104,4	117,6	195,8	326,1	587,1
398,9	6,6	36,5	49,0	73,4	97,8	110,0	183,4	305,4	549,5
426,7	5,5	35,2	46,5	70,0	93,4	105,1	175,1	291,7	524,7
454,4	4,5	33,4	44,8	67,2	89,5	100,7	167,9	279,9	503,7
482,2	3,4	31,0	41,4	62,1	82,7	93,1	154,8	258,2	464,7
510,0	2,4	26,5	35,5	53,4	71,1	80,0	133,1	222,0	399,6
537,8	1,4	25,2	33,4	50,0	66,7	75,2	125,5	208,9	375,8
565,6	1,4	24,8	33,1	49,6	66,2	74,5	124,1	206,9	372,3
593,3	1,4	22,4	29,6	44,5	59,1	66,5	111,0	185,1	333,4
621,1	1,4	19,0	25,2	37,9	50,5	56,9	94,5	157,6	283,7
648,9	1,4	12,8	16,9	25,5	34,0	38,3	63,8	106,5	191,3
676,7	1,4	10,0	13,4	20,3	27,0	30,3	50,7	84,1	151,7
704,4	1,4	7,6	10,0	14,8	19,8	22,4	37,2	62,1	111,7

**SPECIAL CLASS**

Temperature °C	150	300	400	600	800	900	1500	2500	4500
-29 +38	20,0	51,7	69,0	103,4	137,9	155,1	258,6	430,9	775,7
93,3	20,0	51,7	69,0	103,4	137,9	155,1	258,6	430,9	775,7
148,9	20,0	51,7	69,0	103,4	137,9	155,1	258,6	430,9	775,7
204,4	20,0	51,7	69,0	103,4	137,9	155,1	258,6	430,9	775,7
260,0	19,7	51,0	68,3	102,4	136,5	153,4	255,8	426,5	767,4
315,6	19,0	50,0	66,5	99,6	133,1	149,6	249,3	415,4	748,1
343,3	18,6	49,0	65,2	97,9	130,7	146,9	244,8	407,8	734,0
371,1	18,3	47,9	64,1	96,2	128,2	144,1	239,9	400,3	720,2
398,9	18,3	47,6	63,4	95,2	127,2	143,1	238,2	397,2	714,7
426,7	18,3	47,2	63,1	94,5	125,8	141,7	236,5	394,0	709,2
454,4	17,9	46,5	62,1	93,1	124,1	139,6	232,7	387,8	698,1
482,2	15,9	41,4	55,2	82,7	110,3	124,1	206,9	344,8	620,6
510,0	12,4	32,4	43,4	65,2	86,9	97,6	162,7	271,0	487,5
537,8	11,0	29,0	38,6	57,9	77,2	86,9	145,1	241,7	435,1
565,6	11,0	29,0	38,6	57,9	77,2	86,9	145,1	241,7	435,1
593,3	10,7	27,9	37,2	55,5	74,1	83,4	138,9	231,7	416,8
621,1	9,0	23,8	31,7	47,2	63,1	71,0	118,2	197,2	354,7
648,9	6,2	16,5	22,1	33,1	44,5	50,0	83,1	138,6	249,3
676,7	5,2	13,1	17,6	26,2	35,2	39,6	65,8	109,6	197,5
704,4	3,8	9,7	13,1	19,3	25,8	29,0	48,6	80,7	145,5





PSI - °F		MATERIALS: A105 N (a)					BAR - °C				
<b>LIMITED CLASS</b>							<b>LIMITED CLASS</b>				
Temperature °F	800 #LTD	1690 #LTD	2500 #LTD	2680 #LTD	4500 #LTD	Temperature °C	800 #LTD	1690 #LTD	2500 #LTD	2680 #LTD	4500 #LTD
-20 to 100	2,000	4,225	6,250	6,700	11,250	-29 to 38	137,9	291,3	431,0	462,0	775,7
200	2,000	4,225	6,250	6,700	11,250	93,3	137,9	291,3	431,0	462,0	775,7
300	2,000	4,225	6,250	6,700	11,250	148,9	137,9	291,3	431,0	462,0	775,7
400	2,000	4,225	6,250	6,700	11,250	204,4	137,9	291,3	431,0	462,0	775,7
500	2,000	4,225	6,250	6,700	11,250	260,0	137,9	291,3	431,0	462,0	775,7
600	1,900	4,015	5,940	6,370	10,690	315,6	131,0	276,8	409,6	439,2	737,1
650	1,865	3,940	5,825	6,245	10,485	343,3	128,6	271,7	408,5	430,6	722,9
700	1,850	3,910	5,780	6,195	10,405	371,1	127,5	269,6	398,5	427,1	717,4
750	1,680	3,550	5,250	5,630	9,450	398,9	115,8	244,8	362,0	388,2	651,6
800	1,375	2,895	4,285	4,595	7,715	426,7	94,8	199,6	295,4	316,8	531,9
850	895	1,880	2,785	2,985	5,015	454,4	61,7	129,6	192,0	205,8	345,8
900	575	1,205	1,785	1,915	3,215	482,2	83,1	83,1	123,1	132,0	221,7
950	350	745	1,110	1,195	2,060	510,0	24,1	51,4	76,5	82,4	142,0
1000	180	390	600	650	1,195	537,8	12,4	26,9	41,4	44,8	82,4

PSI - °F		MATERIALS: A 182 F5 - ASTM A182 F5a					BAR - °C				
<b>LIMITED CLASS</b>							<b>LIMITED CLASS</b>				
Temperature °F	800 #LTD	1690 #LTD	2500 #LTD	2680 #LTD	4500 #LTD	Temperature °C	800 #LTD	1690 #LTD	2500 #LTD	2680 #LTD	4500 #LTD
-20 to 100	2,000	4,225	6,250	6,700	11,250	-29 to 38	137,9	291,3	431,0	462,0	775,7
200	2,000	4,225	6,250	6,700	11,250	93,3	137,9	291,3	431,0	462,0	775,7
300	1,940	4,105	6,070	6,505	10,930	148,9	133,8	283,0	418,5	448,5	753,6
400	1,920	4,055	6,000	6,430	10,800	204,4	132,4	279,6	413,7	443,3	744,7
500	1,920	4,055	6,000	6,430	10,800	260,0	132,4	279,6	413,7	443,3	744,7
600	1,885	3,985	5,895	6,320	10,605	315,6	130,0	274,8	406,5	435,8	731,2
650	1,860	3,935	5,820	6,240	10,480	343,3	128,2	271,3	401,3	430,2	722,6
700	1,825	3,865	5,715	6,125	10,285	371,1	125,8	266,5	394,0	422,3	709,1
750	1,760	3,720	5,500	5,895	9,900	398,9	121,3	256,5	379,2	406,5	682,6
800	1,700	3,600	5,320	5,705	9,580	426,7	117,2	248,2	366,8	393,3	660,5
850	1,615	3,405	5,035	5,400	9,065	454,4	111,3	234,8	347,2	372,3	625,0
900	1,235	2,610	3,855	4,135	6,945	482,2	85,1	180,0	265,8	285,1	479,0
950	925	1,960	2,925	3,185	5,500	510,0	63,8	135,1	201,7	219,6	379,2
1000	685	1,510	2,230	2,505	4,620	537,8	47,2	104,1	153,7	172,7	318,5
1050	495	1,095	1,615	1,815	3,345	565,6	34,1	75,5	111,3	125,1	230,6
1100	345	755	1,115	1,255	2,310	593,3	23,8	52,1	76,9	86,5	159,3
1150	210	470	695	780	1,430	621,1	14,5	32,4	47,9	53,8	98,6
1200	120	260	385	430	800	648,9	8,3	17,9	26,6	29,6	55,2

PSI - °F		MATERIALS: A 182 F9					BAR - °C				
<b>LIMITED CLASS</b>							<b>LIMITED CLASS</b>				
Temperature °F	800 #LTD	1690 #LTD	2500 #LTD	2680 #LTD	4500 #LTD	Temperature °C	800 #LTD	1690 #LTD	2500 #LTD	2680 #LTD	4500 #LTD
-20 to 100	2,000	4,225	6,250	6,700	11,250	-29 to 38	137,9	291,3	431,0	462,0	775,7
200	2,000	4,225	6,250	6,700	11,250	93,3	137,9	291,3	431,0	462,0	775,7
300	2,000	4,225	6,250	6,700	11,250	148,9	137,9	291,3	431,0	462,0	775,7
400	2,000	4,225	6,250	6,700	11,250	204,4	137,9	291,3	431,0	462,0	775,7
500	2,000	4,225	6,250	6,700	11,250	260,0	137,9	291,3	431,0	462,0	775,7
600	2,000	4,225	6,250	6,700	11,250	315,6	137,9	291,3	431,0	462,0	775,7
650	2,000	4,225	6,250	6,700	11,250	343,3	137,9	291,3	431,0	462,0	775,7
700	1,955	4,130	6,110	6,550	10,995	371,1	134,8	284,8	421,3	451,6	758,1
750	1,945	4,105	6,070	6,505	10,930	398,9	134,1	283,0	418,5	448,5	753,6
800	1,920	4,105	6,000	6,430	10,800	426,7	132,4	283,0	413,7	443,3	744,7
850	1,805	3,815	5,645	6,050	10,160	454,4	124,4	263,0	389,2	417,1	700,5
900	1,600	3,380	5,000	5,360	9,000	482,2	110,3	233,0	344,7	369,6	620,5
950	1,275	2,720	4,025	4,380	7,555	510,0	87,9	187,5	277,5	302,0	521,0
1000	875	1,925	2,850	3,205	5,890	537,8	60,3	132,7	196,5	221,0	406,1
1050	595	1,300	1,925	2,160	3,985	565,6	41,0	89,6	132,7	149,0	274,8
1100	390	860	1,270	1,430	2,625	593,3	26,9	59,3	87,6	98,6	181,0
1150	260	570	845	950	1,755	621,1	17,9	39,3	58,3	65,5	121,0
1200	180	390	575	650	1,195	648,9	12,4	26,9	41,4	44,8	82,4

# B PRESSURE-TEMPERATURE RATINGS

BONNEY FORGE

PSI - °F

MATERIALS: A 182 F19

BAR - °C

LIMITED CLASS

Temperature °F	800#LTD	1690#LTD	2500#LTD	2680#LTD	4500#LTD
-20 to 100	2,000	4,225	6,250	6,700	11,250
200	2,000	4,225	6,250	6,700	11,250
300	2,000	4,225	6,250	6,700	11,250
400	2,000	4,225	6,250	6,700	11,250
500	2,000	4,225	6,250	6,700	11,250
600	2,000	4,225	6,250	6,700	11,250
650	2,000	4,225	6,250	6,700	11,250
700	1,955	4,130	6,110	6,550	10,995
750	1,945	4,105	6,070	6,505	10,930
800	1,920	4,055	6,000	6,430	10,800
850	1,805	3,815	5,645	6,050	10,160
900	1,600	3,380	5,000	5,360	9,000
950	1,275	2,725	4,025	4,385	7,555
1000	1,160	2,555	3,780	4,240	7,820
1050	1,160	2,555	3,780	4,240	7,820
1100	1,040	2,290	3,390	3,805	7,005
1150	765	1,695	2,500	2,805	5,180
1200	495	1,095	1,615	1,820	3,345

LIMITED CLASS

Temperature °C	800#LTD	1690#LTD	2500#LTD	2680#LTD	4500#LTD
-29 to 38	137.9	291.3	431.0	462.0	775.7
93.3	137.9	291.3	431.0	462.0	775.7
148.9	137.9	291.3	431.0	462.0	775.7
204.4	137.9	291.3	431.0	462.0	775.7
260.0	137.9	291.3	431.0	462.0	775.7
315.6	137.9	291.3	431.0	462.0	775.7
343.3	137.9	291.3	431.0	462.0	775.7
371.1	134.8	284.8	421.3	451.6	758.1
398.9	134.1	283.0	418.6	448.5	753.6
426.7	132.4	279.6	413.7	443.3	744.7
454.4	124.4	263.0	389.2	417.1	700.5
482.2	110.3	233.0	344.7	369.6	620.5
510.0	87.9	187.9	277.5	302.3	520.9
537.8	80.0	176.2	260.7	292.3	539.2
565.6	80.0	176.2	260.7	292.3	539.2
593.3	71.7	157.9	233.7	262.3	483.0
621.1	52.7	116.9	172.4	193.4	357.2
648.9	34.1	75.5	111.3	125.5	230.6

PSI - °F

MATERIALS: A 182 F11 CL2 (b)

BAR - °C

LIMITED CLASS

Temperature °F	800#LTD	1690#LTD	2500#LTD	2680#LTD	4500#LTD
-20 to 100	2,000	4,225	6,250	6,700	11,250
200	2,000	4,225	6,250	6,700	11,250
300	2,000	4,225	6,250	6,700	11,250
400	2,000	4,225	6,250	6,700	11,250
500	2,000	4,225	6,250	6,700	11,250
600	2,000	4,225	6,250	6,700	11,250
650	2,000	4,225	6,250	6,700	11,250
700	1,955	4,130	6,110	6,550	10,995
750	1,945	4,110	6,070	6,505	10,930
800	1,920	4,055	6,000	6,430	10,800
850	1,805	3,815	5,645	6,050	10,160
900	1,565	3,310	4,895	5,245	8,805
950	1,070	2,305	3,445	3,700	6,390
1000	745	1,640	2,520	2,725	5,020
1050	495	1,095	1,680	1,820	3,345
1100	330	730	1,120	1,210	2,230
1150	210	470	720	780	1,430
1200	130	285	440	480	875

LIMITED CLASS

Temperature °C	800#LTD	1690#LTD	2500#LTD	2680#LTD	4500#LTD
-29 to 38	137.9	291.3	431.0	462.0	775.7
93.3	137.9	291.3	431.0	462.0	775.7
148.9	137.9	291.3	431.0	462.0	775.7
204.4	137.9	291.3	431.0	462.0	775.7
260.0	137.9	291.3	431.0	462.0	775.7
315.6	137.9	291.3	431.0	462.0	775.7
343.3	137.9	291.3	431.0	462.0	775.7
371.1	134.8	284.8	421.3	451.6	758.1
398.9	134.1	283.0	418.6	448.5	753.6
426.7	132.4	279.6	413.7	443.3	744.7
454.4	124.4	263.0	389.2	417.1	700.5
482.2	107.9	228.2	337.5	361.6	607.1
510.0	73.8	159.0	237.5	255.1	440.6
537.8	51.4	113.1	173.7	187.9	346.1
565.6	34.1	75.5	115.8	125.5	230.6
593.3	22.7	50.3	77.2	83.4	153.7
621.1	14.5	32.4	49.6	53.8	98.6
648.9	9.0	19.6	30.3	33.1	60.3

PSI - °F

MATERIALS: A 182 F22 CL3 (b)

BAR - °C

LIMITED CLASS

Temperature °F	800#LTD	1690#LTD	2500#LTD	2680#LTD	4500#LTD
-20 to 100	2,000	4,225	6,250	6,700	11,250
200	2,000	4,225	6,250	6,700	11,250
300	1,980	4,175	6,180	6,625	11,120
400	1,935	4,080	6,035	6,470	10,865
500	1,920	4,055	6,000	6,430	10,800
600	1,920	4,055	6,000	6,430	10,800
650	1,905	4,035	5,965	6,395	10,735
700	1,900	4,005	5,930	6,355	10,670
750	1,840	3,885	5,790	6,165	10,350
800	1,795	3,790	5,605	6,010	10,095
850	1,715	3,620	5,355	5,740	9,645
900	1,600	3,380	5,000	5,360	9,000
950	1,275	2,720	4,075	4,380	7,555
1000	895	1,980	3,040	3,290	6,050
1050	600	1,330	2,040	2,205	4,065
1100	380	830	1,280	1,385	2,545
1150	235	525	800	865	1,590
1200	145	310	480	520	955

LIMITED CLASS

Temperature °C	800#LTD	1690#LTD	2500#LTD	2680#LTD	4500#LTD
-29 to 38	137.9	291.3	431.0	462.0	775.7
93.3	137.9	291.3	431.0	462.0	775.7
148.9	136.5	287.9	426.1	456.8	766.7
204.4	133.4	281.3	416.1	446.1	749.1
260.0	132.4	279.6	413.7	443.3	744.7
315.6	132.4	279.6	413.7	443.3	744.7
343.3	131.3	278.2	411.3	441.0	740.2
371.1	131.0	276.1	408.9	438.2	735.7
398.9	126.9	267.9	399.2	425.1	713.6
426.7	123.8	261.3	386.5	414.4	696.0
454.4	118.2	249.6	367.8	395.8	665.0
482.2	110.3	233.0	344.7	369.6	620.5
510.0	87.9	187.5	281.0	302.0	521.0
537.8	61.7	136.5	209.6	226.8	417.1
565.6	41.4	91.7	140.6	152.0	280.3
593.3	26.2	57.2	88.2	95.5	175.5
621.1	16.2	36.2	55.2	59.6	109.6
648.9	10.0	21.4	33.1	35.8	65.8

PSI - °F		MATERIALS: A 182 F304 (c) - ASTM A-182 F304H					BAR - °C				
LIMITED CLASS											
Temperature °F	800#LTD	1690#LTD	2500#LTD	2680#LTD	4500#LTD	Temperature °C	800#LTD	1690#LTD	2500#LTD	2680#LTD	4500#LTD
-20 to 100	2,000	4,225	6,250	6,700	11,250	-29 to 38	137,9	291,3	430,9	462,0	775,7
200	1,780	3,770	5,570	5,970	10,030	93,3	122,7	260,0	384,0	411,6	691,6
300	1,600	3,380	5,000	5,360	9,000	148,9	110,3	233,0	344,7	369,6	620,5
400	1,475	3,115	4,605	4,935	8,295	204,4	101,7	214,8	317,5	340,3	571,9
500	1,380	2,925	4,320	4,630	7,780	260,0	95,1	201,7	297,9	319,2	536,4
600	1,300	2,750	4,065	4,385	7,315	315,6	89,6	189,6	280,3	302,3	504,4
650	1,280	2,700	3,995	4,285	7,190	343,3	88,2	186,2	275,4	295,4	495,7
700	1,260	2,655	3,930	4,215	7,070	371,1	86,9	183,1	271,0	290,6	487,5
750	1,235	2,610	3,855	4,135	6,945	398,9	85,1	180,0	265,8	285,1	478,8
800	1,200	2,535	3,750	4,020	6,750	426,7	82,7	174,8	258,6	277,2	465,4
850	1,180	2,485	3,680	3,945	6,620	454,4	81,4	171,3	253,7	272,0	456,4
900	1,155	2,440	3,605	3,865	6,495	482,2	79,6	168,2	248,6	266,5	447,8
950	1,135	2,390	3,535	3,790	6,365	510,0	78,2	164,8	243,7	261,3	438,9
1000	1,085	2,295	3,395	3,640	6,105	537,8	74,8	158,2	234,1	251,0	420,9
1050	1,025	2,175	3,215	3,445	5,785	565,6	70,7	150,0	221,7	237,5	399,0
1100	870	1,855	2,745	2,985	5,150	593,3	60,0	127,9	189,3	205,8	355,0
1150	690	1,510	2,230	2,505	4,620	621,1	47,6	104,1	153,7	172,7	318,5
1200	535	1,170	1,730	1,945	3,585	648,9	36,9	80,7	119,3	134,1	247,2
1250	390	855	1,270	1,430	2,625	676,7	26,9	59,0	87,6	98,6	181,0
1300	295	850	965	1,085	1,990	704,4	20,3	58,6	66,5	74,8	137,2
1350	210	470	695	780	1,430	732,2	14,5	32,4	47,9	53,8	98,6
1400	165	365	540	605	1,115	760,0	11,4	25,2	37,2	41,7	76,9
1450	120	260	385	430	780	787,8	8,3	17,9	26,5	29,6	53,8
1500	95	205	305	345	640	815,6	6,5	14,1	21,0	23,8	44,1

PSI - °F		MATERIALS: A 182 F316 (c) - ASTM A182 F316H					BAR - °C				
LIMITED CLASS											
Temperature °F	800#LTD	1690#LTD	2500#LTD	2680#LTD	4500#LTD	Temperature °C	800#LTD	1690#LTD	2500#LTD	2680#LTD	4500#LTD
-20 to 100	2,000	4,225	6,250	6,700	11,250	-29 to 38	137,9	291,3	430,9	462,0	775,7
200	1,840	3,885	5,750	6,165	10,350	93,3	126,9	267,9	396,5	425,1	713,6
300	1,665	3,515	5,200	5,575	9,360	148,9	114,8	242,3	358,5	384,4	645,4
400	1,520	3,210	4,750	5,090	8,550	204,4	104,8	221,3	327,5	350,9	589,5
500	1,420	2,990	4,430	4,750	7,970	260,0	97,9	206,2	305,4	327,5	549,5
600	1,340	2,840	4,195	4,500	7,555	315,6	92,4	195,8	289,3	310,3	520,9
650	1,315	2,775	4,105	4,400	7,395	343,3	90,7	191,3	283,0	303,4	509,9
700	1,295	2,725	4,035	4,325	7,265	371,1	89,3	187,9	273,4	298,2	500,9
750	1,265	2,680	3,965	4,250	7,135	398,9	87,2	184,8	273,4	293,0	491,9
800	1,260	2,655	3,930	4,215	7,070	426,7	86,9	183,1	271,0	290,6	487,5
850	1,245	2,625	3,885	4,165	6,990	454,4	85,8	181,0	267,9	287,2	482,0
900	1,235	2,610	3,855	4,135	6,945	482,2	85,1	180,0	265,9	285,1	478,8
950	1,220	2,580	3,815	4,090	6,870	510,0	84,1	179,9	263,0	282,0	473,7
1000	1,120	2,370	3,505	3,760	6,310	537,8	77,2	163,4	241,7	259,2	435,1
1050	1,120	2,370	3,505	3,760	6,310	565,6	77,2	163,4	241,7	259,2	435,1
1100	1,030	2,200	3,260	3,545	6,115	593,3	71,0	151,7	224,8	244,4	421,6
1150	815	1,795	3,655	2,985	5,495	621,1	56,2	123,8	252,0	205,8	378,9
1200	640	1,400	2,080	2,340	4,300	648,9	44,1	96,5	143,4	164,8	296,5
1250	510	1,115	1,655	1,865	3,425	676,7	35,2	76,9	114,1	128,6	236,1
1300	400	885	1,310	1,470	2,705	704,4	27,6	61,0	90,3	101,3	186,5
1350	330	730	1,075	1,210	2,230	732,2	22,7	50,3	74,1	83,4	153,7
1400	260	570	845	950	1,755	760,0	17,9	39,3	58,3	66,5	121,0
1450	200	440	660	740	1,355	787,8	13,8	30,3	45,5	51,0	93,4
1500	140	315	465	520	955	815,6	9,6	21,7	32,1	35,8	65,8

# B<sup>®</sup> PRESSURE-TEMPERATURE RATINGS

BONNEY FORGE

PSI - °F

MATERIALS: A 182 F304L (d) - ASTM A182 F316L

BAR - °C

LIMITED CLASS

Temperature °F	800 #LTD	1690 #LTD	2500 #LTD	2680 #LTD	4500 #LTD
-20 to 100	1,785	3,770	5,570	5,970	10,030
200	1,505	3,185	4,710	5,050	8,480
300	1,350	2,850	4,215	4,520	7,585
400	1,230	2,595	3,840	4,115	6,910
500	1,135	2,400	3,550	3,805	6,390
600	1,070	2,265	3,350	3,590	6,025
650	1,040	2,195	3,250	3,485	5,850
700	1,020	2,150	3,180	3,410	5,720
750	995	2,100	3,110	3,335	5,595
800	980	2,070	3,060	3,280	5,505
850	955	2,020	2,990	3,205	5,385

LIMITED CLASS

Temperature °C	800 #LTD	1690 #LTD	2500 #LTD	2680 #LTD	4500 #LTD
-29 to 38	123,1	259,9	384,0	411,6	691,6
93,3	103,8	219,6	324,7	348,2	584,7
148,9	93,1	196,5	290,6	311,6	523,0
204,4	84,8	178,9	264,8	283,7	476,4
260,0	78,2	165,5	244,8	262,3	440,6
315,6	73,8	156,2	231,0	247,5	415,4
343,3	71,7	151,3	224,1	240,3	403,3
371,1	70,3	148,2	219,3	235,1	394,4
398,9	68,6	144,8	214,4	229,9	385,6
426,7	67,6	142,7	211,0	226,1	379,6
454,4	65,8	139,3	206,2	221,0	371,3

PSI - °F

MATERIALS: A 182 F321 (f) - ASTM A182 F321H (g)

BAR - °C

LIMITED CLASS

Temperature °F	800 #LTD	1690 #LTD	2500 #LTD	2680 #LTD	4500 #LTD
-20 to 100	2,000	4,225	6,250	6,700	11,250
200	1,820	3,835	5,680	6,090	10,220
300	1,620	3,430	5,070	5,435	9,130
400	1,475	3,155	4,605	4,935	8,295
500	1,375	2,895	4,285	4,595	7,715
600	1,300	2,755	4,070	4,365	7,330
650	1,280	2,705	4,000	4,290	7,200
700	1,260	2,655	3,930	4,215	7,070
750	1,245	2,630	3,895	4,175	7,005
800	1,235	2,610	3,855	4,135	6,945
850	1,220	2,585	3,820	4,095	6,880
900	1,215	2,560	3,785	4,060	6,815
950	1,215	2,560	3,785	4,060	6,815
1000	1,120	2,370	3,505	3,755	6,310
1050	1,085	2,295	3,395	3,640	6,105
1100	955	2,040	3,020	3,285	5,670
1150	815	1,795	2,655	2,985	5,495
1200	640	1,405	2,080	2,335	4,300
1250	185	1,070	1,580	1,775	3,265
1300	380	830	1,235	1,385	2,545
1350	295	650	965	1,085	1,990
1400	225	495	735	825	1,210
1450	180	390	575	650	1,195
1500	130	285	425	480	875

LIMITED CLASS

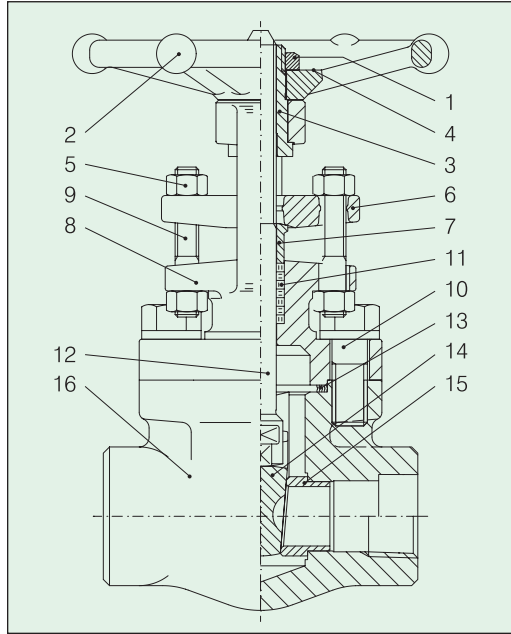
Temperature °C	800 #LTD	1690 #LTD	2500 #LTD	2680 #LTD	4500 #LTD
-29 to 38	137,9	291,4	431,0	462,1	775,9
93,3	125,5	264,5	391,7	420,0	704,8
148,9	111,7	236,6	349,7	374,8	629,7
204,4	101,7	217,6	317,6	340,3	572,1
260,0	94,8	199,7	295,5	316,9	532,1
315,6	89,7	190,0	280,7	301,0	505,5
343,3	88,3	186,6	275,9	295,9	496,6
371,1	86,9	183,1	271,0	290,7	487,6
398,9	85,9	181,4	268,6	287,9	483,1
426,7	85,2	180,0	265,9	285,2	479,0
454,4	84,1	178,3	263,4	282,4	474,5
482,2	83,8	176,6	261,0	280,8	470,0
510,0	83,8	176,6	261,0	280,0	470,0
537,8	77,2	163,4	241,7	259,0	435,2
565,6	74,8	158,3	234,1	251,0	421,0
593,3	65,9	140,7	208,3	226,6	391,0
621,1	56,2	123,8	183,1	205,9	379,0
648,9	44,1	96,9	143,4	161,0	296,6
676,7	33,4	73,8	109,0	122,4	225,2
704,4	26,2	57,2	85,2	95,5	175,5
732,2	20,3	44,8	66,6	74,8	137,2
760,0	15,5	23,1	50,7	56,9	83,4
787,8	12,4	26,9	39,7	44,8	82,4
815,6	9,0	19,7	29,3	33,1	60,3

Notes:

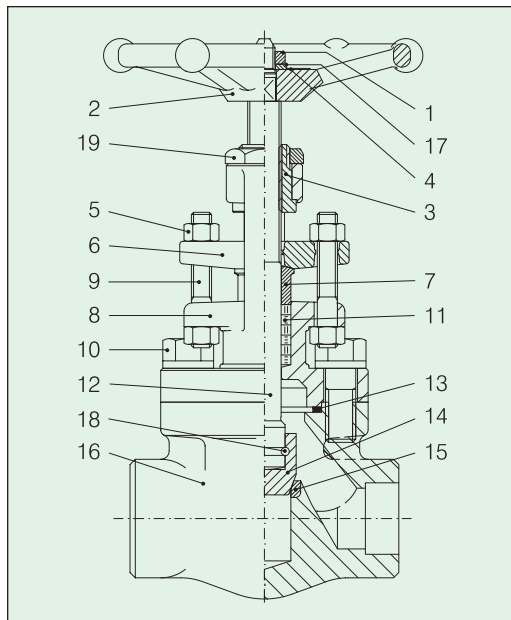
- a - Permissible, but not recommended for prolonged use above 800°F (427°C)
- b - Permissible, but not recommended for prolonged use above 1100°F (593°C)
- c - At temperatures over 1000°F (540°C), use only when the carbon content is 0.04% or higher
- d - Not to be used over 800°F (427°C)
- e - Not to be used over 600°F (316°C)
- f - Not to be used over 1000°F (540°C)
- g - At temperatures over 1000°F (540°C), use only if the material is heat treated by heating to a minimum temperature of 2000°F (1093°C)

- h - Not to be used over 1200°F (649°C) - Alloy N06625 in the annealed condition is subject to severe loss of impact strength at room temperature after exposure in the range of 1000°F to 1400°F (540°C to 742°C)

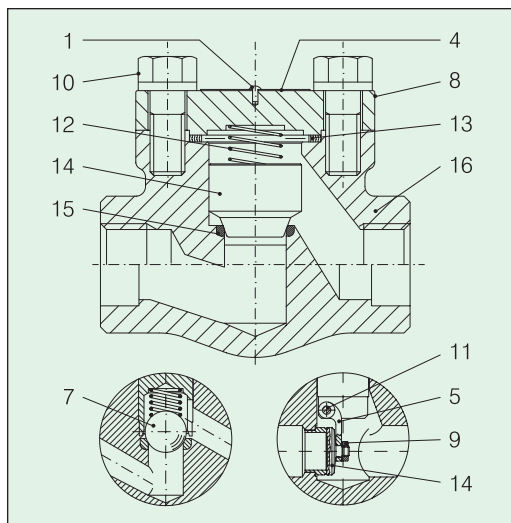
Ratings are in accordance with ASME B16.34a - 1998  
 Flanged end valves are rated as Standard Class only  
 Class 4500 applies to weld end valves only  
 A rating temperature greater than 1000°F (540°C) does not apply to thread end valves  
 Limited Class ratings apply to weld end and thread end valves only



TYPICAL GATE		
PART	NAME	MATERIALS
1	Handwheel nut	CARBON STEEL
2	Handwheel	CARBON STEEL
3	Yoke sleeve	AISI 416
4	Name plate	ALUMINUM
5	Gland nuts	ASTM A194 2H
6	Gland flange	ASTM A105
7	Packing gland	AISI 316
8	Bonnet	ASTM A105 N
9	Gland studs	ASTM A193 B6
10	B/B bolts	ASTM A193 B7
11	Packing	GRAPHITE
12	Stem	ASTM A479 410
13	B/B gasket	F316L + GRAPHITE
14	Wedge	ASTM A182 F6a
15	Seat rings	ASTM A479 410 HF
16	Body	ASTM A105 N



TYPICAL GLOBE		
PART	NAME	MATERIALS
1	Handwheel nut	CARBON STEEL
2	Handwheel	CARBON STEEL
3	Yoke sleeve	AISI 416
4	Name plate	ALUMINUM
5	Gland nuts	ASTM A194 - 2H
6	Gland flange	ASTM A105
7	Packing gland	AISI 316
8	Bonnet	ASTM A105 N
9	Gland studs	ASTM A193 B6
10	B/B bolts	ASTM A193 B7
11	Packing	GRAPHITE
12	Stem	ASTM A479 410
13	B/B gasket	F316L + GRAPHITE
14	Disc	ASTM A479 410
15	Seat rings	INTEGRAL HF
16	Body	ASTM A105 N
17	Washer	CARBON STEEL
18	Connection wire	ASTM A479 316
19	Yoke nut	CARBON STEEL



TYPICAL CHECK		
PART	NAME	MATERIALS
1	Rivet	CARBON STEEL
4	Name plate	ALUMINUM
5	Hinge	AISI 410
7	Ball	AISI 420
8	Bonnet	ASTM A105 N
9	Disc nut	ASTM A194 - 8
10	B/B bolts	ASTM A193 B7
11	Hinge pin	ASTM A479 316
12	Spring*	ASTM A479 316
13	B/B gasket	F316L + GRAPHITE
14	Disc	ASTM A479 410
15	Seat rings	INTEGRAL HF
16	Body	ASTM A105 N

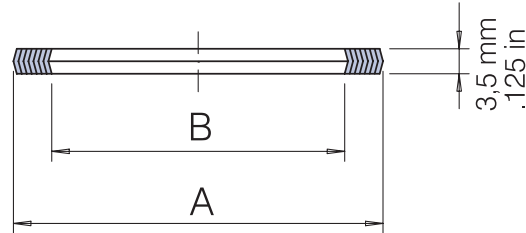
\*Supplied Upon Request Only



BONNEY FORGE

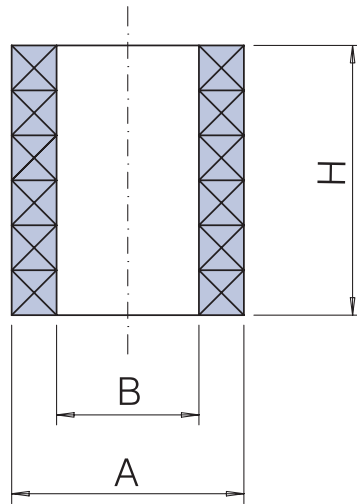
# RECOMMENDED SPARE PARTS FOR FORGED VALVES

## BOLTED BONNET GASKET



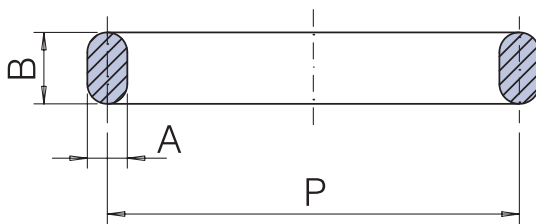
GASKET				
Type	A		B	
	mm	in.	mm	in.
G1	36	1.42	27	1.06
G2	40	1.57	31	1.22
G3	48	1.89	39	1.54
G4	54	2.13	44	1.73
G5	62	2.44	52	2.05
G6	66	2.60	54	2.13
G7	74	2.91	60	2.36
G8	85	3.35	73	2.87
G9	95	3.74	78	3.07
G10	87	3.43	76	2.99
G11	70	2.76	60	2.36

## STEM PACKING



PACKING						
Type	A		B		H	
	mm	in.	mm	in.	mm	in.
BH2	15,7	.62	9,5	.37	22	.87
BH3	17,2	.68	11,1	.44	22	.87
BH4	17,2	.68	11,1	.44	26	1.02
BH5	19,2	.76	12,7	.50	26	1.02
BH6/A	24,5	.96	14,5	.57	30	1.18
BH8	32,2	1.27	19	.75	36	1.42
BY5/A	26	1.02	16	.63	30	1.18
BY7	28,2	1.11	19	.75	30	1.18
2B3	19,2	.76	12,7	.5	35	1.38
2B4/A	26	1.02	16	.75	35	1.38
2B5	28,2	1.11	19	.63	40	1.57
2B8	35,7	1.41	22,2	.87	52	2.05
25B8	38,5	1.52	25,4	1	52	2.05
4B8	40,5	1.59	28,5	1.12	54	2.13
9B8/A	35,7	1.41	22,2	.87	42	1.65
9BE5	40,5	1.59	19	.75	32	1.26

## BOLTED BONNET RTJ GASKET

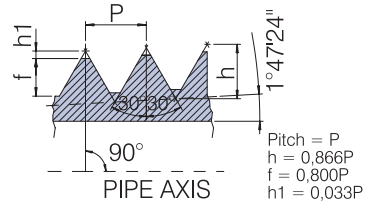
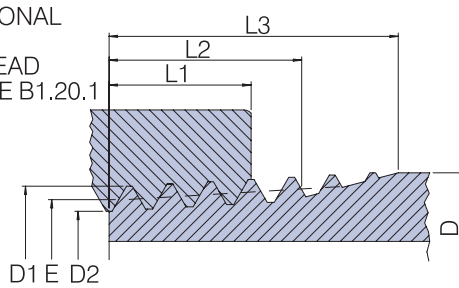


RING JOINT						
RTJ	P		A		B	
	mm	in.	mm	in.	mm	in.
R11	34,1	1.34	6,35	.25	11,1	.44
R12	39,6	1.56	7,94	.31	14,3	.56
R13	42,8	1.69	7,94	.31	14,3	.56
R14	44,4	1.75	7,94	.31	14,3	.56
R15	47,6	1.87	7,94	.31	14,3	.56
R16	50,8	2	7,94	.31	14,3	.56
R17	57,1	2.25	7,94	.31	14,3	.56
R18	60,3	2.37	7,94	.31	14,3	.56
R19	65,0	2.56	7,94	.31	14,3	.56
R20	68,2	2.69	7,94	.31	14,3	.56
R21	72,2	2.84	11,1	.44	17,4	.69
R22	82,5	3.25	7,94	.31	14,3	.56
R23	82,5	3.25	11,1	.44	17,4	.69
R24	95,2	3.75	11,1	.44	17,4	.69
R25	101,6	4	7,94	.31	14,3	.56
R26	101,6	4	11,1	.44	17,4	.69s

# B<sup>®</sup> THREAD STANDARD ASME B1.20.1

BONNEY FORGE

NATIONAL PIPE THREAD ASME B1.20.1

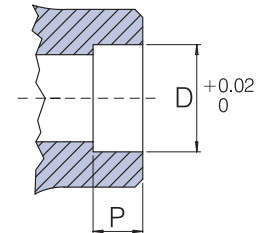


Pitch = P  
h = 0.866P  
f = 0.800P  
h1 = 0.033P

NOMINAL PIPE SIZE	O.D. OF PIPE	THREADS PER IN.	PITCH OF THREAD	O.D. AT BEGINNING OF THREAD			HANDTIGHT ENGAGEMENT	EFFECTIVE THREAD EXT. LENGTH		OVERALL LENGTH EXT. THREAD
				D1	E	D2		L1	L2	
1/8	inch mm	.41 10.29	1.06 27	.04 0.940	.39 9.982	.36 9.233	.26 6.484	.18 4.572	.26 6.703	.39 9.967
1/4	inch mm	.54 13.72	.71 18	.06 1.412	.52 13.259	.48 12.126	.43 10.998	.20 5.080	.40 10.206	.59 15.103
3/8	inch mm	.67 17.14	.71 18	.06 1.412	.66 16.662	.61 15.545	.57 14.427	.24 6.096	.41 10.358	.60 15.255
1/2	inch mm	.84 21.34	.55 14	.07 1.814	.82 20.726	.76 19.263	.70 17.805	.32 8.128	.53 13.556	.78 19.850
3/4	inch mm	1.05 26.67	.55 14	.07 1.814	1.03 26.035	.97 24.580	.91 23.139	.34 8.611	.55 13.861	.79 20.155
1	inch mm	1.31 33.40	.45 11.1/2	.09 2.210	1.28 32.588	1.21 30.825	1.14 29.058	.40 10.160	.68 17.343	.98 25.006
1 1/4	inch mm	1.66 42.16	.45 11.1/2	.09 2.210	1.63 41.326	1.56 39.550	1.49 37.795	.42 10.668	.71 17.953	1.01 25.616
1 1/2	inch mm	1.90 48.26	.45 11.1/2	.09 2.210	1.87 47.396	1.80 45.621	1.73 43.866	.42 10.668	.72 18.377	1.03 26.040
2	inch mm	2.37 60.32	.45 11.1/2	.09 2.210	2.34 59.411	2.27 57.633	2.20 55.855	.44 11.074	.76 19.215	1.06 26.878

## SOCKET WELD STANDARD ASME B16.11

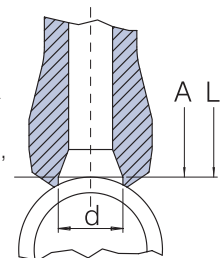
SIZE	inch	1/4	3/8	1/2	3/4	1	1 1/4	1 1/2	2
D	mm	6	10	15	20	25	32	40	50
P min.	inch	.38	.38	.38	.50	.50	.50	.50	.62
	mm	9.6	9.6	9.6	12.7	12.7	12.7	12.7	15.8



## VALVOLET<sup>®</sup>

### RUN PIPE CONSOLIDATION

The "Lip" extension end shown on Page 61 - Extended Body Valve represents an economical solution to stocking various different items. In fact, the lip is inserted into the corresponding hole in the run pipe, and therefore a valve can be welded on different run sizes, independently. Where a certain number of valves is required and their location is known, we suggest the use of the Weld-o-let end type for which all the well known advantages of the Weld-o-let fitting are utilized.



CLASS 800						
	inch	1/2	3/4	1	1 1/2	2
Run pipe consolidation	mm	15	20	25	40	50
		1 1/4 ÷ 3/4	1 1/4 ÷ 1	1 1/2 ÷ 1 1/4	2 1/2 ÷ 2	4 ÷ 3
		36 ÷ 1 1/2	3 1/2 ÷ 1 1/2	5 ÷ 2	3 ÷ 5	8 ÷ 5
		-	36 ÷ 4	36 ÷ 6	36 ÷ 6	36 ÷ 10
d - Weldolet bore	inch	.87	1.18	1.44	1.99	2.56
	mm	22	30	36.5	50.5	65

CLASS 1500						
	inch	1/2	3/4	1	1 1/2	2
Run pipe consolidation	mm	15	20	25	40	50
		1 1/4 ÷ 1	1 1/2 ÷ 1 1/4	2 1/2 ÷ 2	4 ÷ 3	-
		3 1/2 ÷ 1 1/2	5 ÷ 2	5 ÷ 3	8 ÷ 5	-
		36 ÷ 6	36 ÷ 6	36 ÷ 6	36 ÷ 10	-
d - Weldolet bore	inch	1.18	1.44	1.99	2.56	-
	mm	30	36.5	50.5	65	-

A - L and other valve dimensions are the same as Page 61 - Extended Body Valves

“CV” factor is the most common data used to determine valve flow characteristics. “CV” indicates the number of U.S. Gallons per minute of water at 70°F which flows through the valve at a pressure drop of one p.s.i.. This data allows computing of pressure drop starting from a known flow rate and is applicable to both fluid and gaseous media.

Formulas hereinafter represent a single example. For gaseous fluids, the engineer should use proper formula factors for the fluid type (vapor, saturated or superheated steam, etc.), differential pressure, temperature, flow velocity, etc., must also be considered.

#### FLOW RATE

water:

$$Q = C_v \sqrt{\Delta P}$$

fluids other than water:

$$Q = C_v \sqrt{\frac{\Delta P \cdot 62.4}{S}}$$

#### PRESSURE DROP

$$\Delta P = \left(\frac{Q}{C_v}\right)^2$$

$$\Delta P = \frac{S}{62.4} \left(\frac{Q}{C_v}\right)^2$$

#### WHERE

**Q** = flow rate, gallon/minute

**Δ P** = pressure drop, p.s.i.

**S** = weight density of fluid handled, pound/cu.ft.

**62.4** = weight density of water, pound/cu.ft.

See page 95 for valve flow coefficient chart

## PROPER SIZING OF CHECK VALVES

It is the velocity of fluid that opens the disc in a check valve. The minimum velocity required to lift the disc to the full open and stable position can be determined by the following formula:

$$v = 50 \beta^2 \sqrt{\bar{V}}$$

#### WHERE

**v** = flow velocity in feet per second

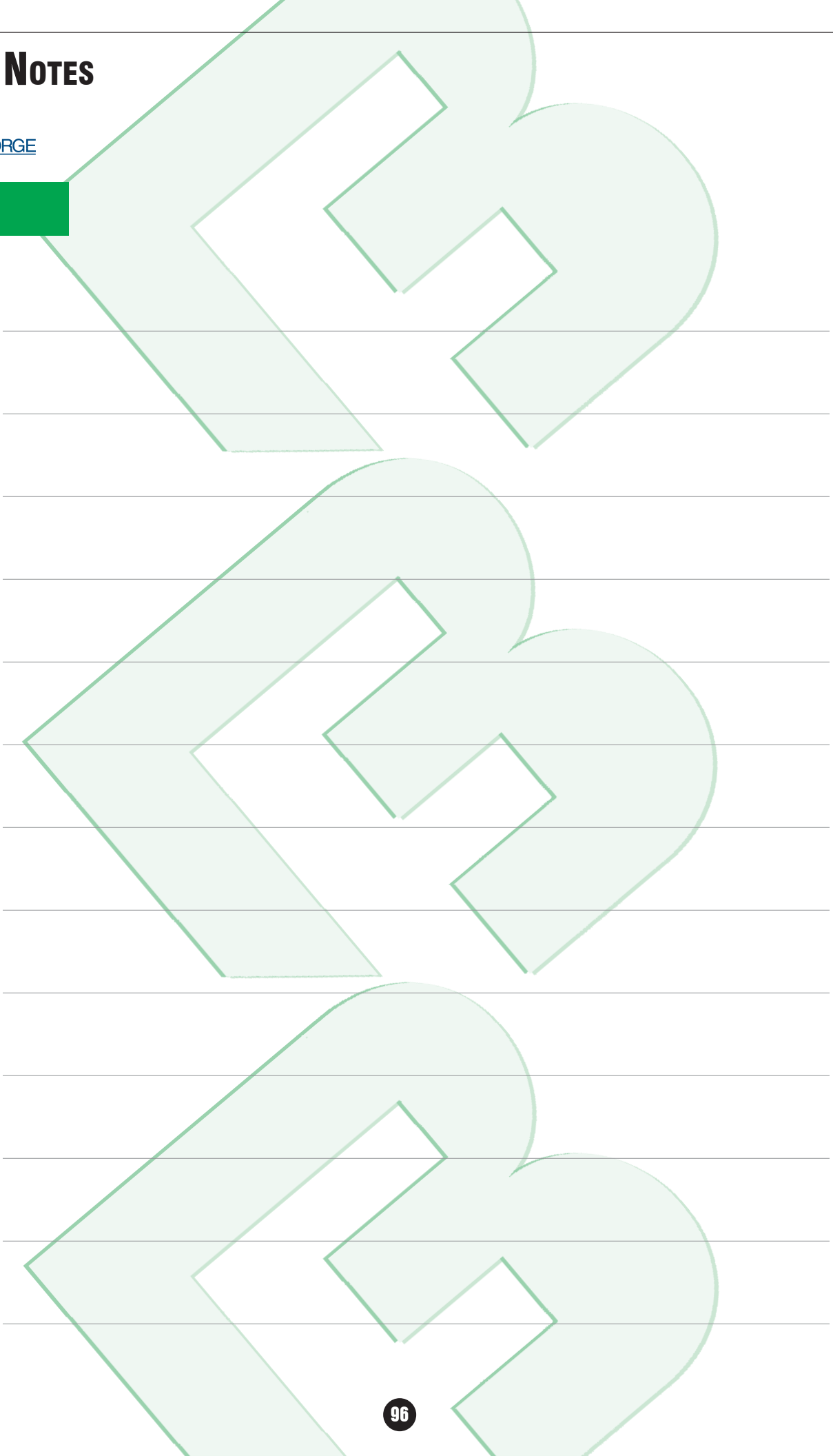
**β** =  $\frac{\text{seat diameter}}{\text{pipe int. diameter}}$

**$\bar{V}$**  = specific volume of fluid in cu.ft. per pound



### FLOW COEFFICIENT "CV" FOR FORGED STEEL VALVES

VALVE TYPE			SIZE	inch	1/2	3/4	1	1 1/2	2
				mm	15	20	25	40	50
GATE	H -10	FULL PORT			12	23	43	98	197
	HL -10	STANDARD PORT			5.6	11	25.5	77	97
	9H -10	FULL PORT			8.9	18	39	96	185
	9HL -10	STANDARD PORT			5.3	11	21.5	77	97
	15F -10	FULL PORT			9	22	39	140	185
	25W -10	FULL PORT			8.2	18.5	25.7	56.6	82.5
	L1 -10	STANDARD PORT			6.3	10	25.6	67.5	97
	L3 -10	STANDARD PORT			6.3	10	25.6	67.5	97
	L6 -10	STANDARD PORT			6.3	10	25.6	67.5	97
GLOBE	H -30	FULL PORT			3.5	5.2	9.3	21	35
	HL -30	STANDARD PORT			1.5	3.9	6.5	16.5	23.5
	Y -30	FULL PORT			5.5	10	18	48	78
	9H -30	FULL PORT			3.1	4.5	9.5	18	27
	9HL -30	STANDARD PORT			1.4	3.1	5.5	14.5	20
	1690Y-30	FULL PORT			6	11	19	50	82
	15F -30	FULL PORT			4.5	6.5	11	22	39
	25W -30	FULL PORT			3.2	5.9	6.8	18.2	27.6
	2680Y-30	FULL PORT			6.1	11.2	19.5	52	84
	L1 -30	STANDARD PORT			1.3	3.9	7.1	17.5	21.4
	L3 -30	STANDARD PORT			1.3	3.9	7.1	17.5	21.4
	L6 -30	STANDARD PORT			1.3	3.9	7.1	17.5	21.4
	CHECK	H -40	FULL PORT			3	4.9	9.8	16
HL -40		STANDARD PORT			1.2	2.8	5	12.5	17.5
Y -40		FULL PORT			4.8	8.2	13	39	73
9H -40		FULL PORT			2.7	4.2	8.5	9.7	21
9HL -40		STANDARD PORT			1.1	2.4	4.3	7	14.8
1690Y-40		FULL PORT			4.8	7.9	14.6	38.5	61
15F -40		FULL PORT			4.5	6.5	11	22	39
25W -40		FULL PORT			2.8	5.2	5.8	21	42
2680Y-40		FULL PORT			3.4	7.4	11.5	39.6	66.8
L1 -40		STANDARD PORT			1	2.8	5.5	13.2	16
L3 -40		STANDARD PORT			1	2.8	5.5	13.2	16
L6 -40		STANDARD PORT			1	2.8	5.5	13.2	16
H -50		FULL PORT			2.7	4.5	7.2	14	24
HL -50		STANDARD PORT			1.1	2.6	4.2	11	14.5
9H -50		FULL PORT			2.5	3.9	6.9	8.5	19.6
9HL -50		STANDARD PORT			1	2.2	3.6	6.3	12.3
15F -50		FULL PORT			4.5	6.5	11	22	39
H -60		FULL PORT			6.7	13	24	63	115
HL -60		STANDARD PORT			2.7	7.5	12.5	34	58
9H -60		FULL PORT			5	10.3	21.8	62	108
9HL -60		STANDARD PORT			2.5	7.5	10.5	33	57
15F -60		FULL PORT			6	15	30	100	130



## GENERAL TERMS AND CONDITIONS OF SALE OF: BONNEY FORGE (HEREAFTER REFERRED TO AS "BF")

<b>WARRANTY</b>	All products are warranted to be free from manufacturing defects for a period of one (1) year from date of shipment, and any found to be defective within that period will be replaced without charge, provided (1) that the product was used as recommended and in accordance with approved installation and operating practices, (2) that its failure resulted from a manufacturing defect and not from damage due to corrosive, abrasive, or other wear normally to be expected in the services involved, (3) that the product was not modified or changed (unless written approval was given by BF), and (4) that written notice of such defect is delivered to BF during such one (1) year period. No labor costs or other expense or liability is assumed. The Uniform Commercial Code shall not apply to the sale, nor the Michigan statutes adopting the Uniform Commercial Code. This express warranty is in lieu of and excludes all other warranties, guarantees, or representations, expressed or implied. THERE ARE NO IMPLIED WARRANTIES OF MERCHANTABILITY OR OF FITNESS FOR A PARTICULAR PURPOSE.
<b>EXCLUSIONS</b>	Do not use BF products in aircraft or aerospace applications. No warranties, guarantees or representations of any kind are made with respect to such applications. Purchaser assumes all risks of any use in such applications and will indemnify and hold harmless BF against and from any claims, costs (including attorney's fees) and liabilities arising out of such use.
<b>PURCHASER'S REMEDIES</b>	The Purchaser's remedies with respect to any product furnished by BF hereunder that is found not to be in conformity with the terms and conditions of the contract because of breach of contract, breach of express or implied warranty, or negligence shall be limited exclusively to the right of replacement of such defective product or, at our option, repayment of our sale price of the product. In no event shall BF be liable for claims (based upon breach of contract, breach of express or implied warranty, or negligence) for any other damages, whether direct, immediate, foreseeable, consequential, or special or for any expenses incurred by reason of the use or misuse, sale or fabrication of products which do or do not conform to the terms and conditions of the contract.
<b>PRICES</b>	Prices, and other terms of sale and payment, are subject to change without notice. Unless a contrary provision appears in this price schedule, quotation or order acknowledgment, prices may be withdrawn without notice at any time. Stenographic or clerical errors are subject to correction.
<b>ACCEPTANCE OF ORDERS</b>	All orders are subject to BF credit department approval prior to acceptance by BF. No assignment of the Purchaser's rights may be made without the written consent of BF.
<b>REMITTANCES</b>	All accounts are payable in United States funds, free of exchange, collection, or any other charges. If, in the sole discretion of BF, the financial condition of the Purchaser at any time so requires, BF retains the right to require full or partial payment in advance.
<b>PARTIAL SHIPMENTS AND PAYMENTS</b>	BF reserves the right to make partial shipments from time to time, and to render invoices therefore, which shall be due and payable as provided in said invoices and the paragraph entitled "Remittances". If the Purchaser becomes overdue in any such partial payment, BF shall be entitled to suspend work and/or avail itself of other legal remedies.
<b>TAXES</b>	Unless otherwise specifically noted, the amount of any sale, use, occupancy, excise tax, or other tax, of any nature, federal, state, or local for which BF is legally liable, either initially or through failure of payment by Purchaser, shall be added or be in addition to the price quoted and Purchaser agrees to pay the same to BF.
<b>SHORTAGES &amp; DAMAGES IN TRANSIT</b>	Claims for shortages must be made in writing within ten days after receipt of shipment, but loss of or damage to material in transit is the responsibility of the carrier.
<b>DELAYS</b>	All promises of shipment are estimated as closely as possible, and we will use our best efforts to ship within the time promised but do not guarantee to do so, and assume no liability for not doing so. Materials stated to be in stock are subject to prior sale.
<b>CANCELLATION &amp; SUSPENSION</b>	The order or contract is subject to cancellation or instructions to suspend or delay work or delivery only upon receipt of written notification and with our consent, and upon agreement to pay BF's adjustment charge. Orders for special products (usually "price on application" items) may be changed and/or cancelled only upon receipt of written instructions with an expressed agreement to make payment for material used and work already performed.
<b>RETURN OF MATERIAL</b>	No product of our manufacture may be returned without written consent. All goods returned are subject to a handling charge plus freight in both directions and charges for any required reconditioning, unless otherwise specified in writing by BF.
<b>PATENTS</b>	Purchaser will indemnify and hold harmless BF against and from any claims, costs (including attorney's fees) and liabilities arising out of any suit alleging infringement of any patents, by any product supplied by BF under the contract and made in accordance with the design and/or specification furnished by the Purchaser to BF.
<b>GOVERNING LAW</b>	The contract shall be governed by, construed, and enforced in accordance with the laws of the Commonwealth of Pennsylvania, without regard to conflict of law principles.
<b>NO WAIVER</b>	The failure of BF to insist, in any one or more instances upon the performance of any of the terms, covenants, or conditions of the contract or to exercise any right hereunder shall not be construed as a waiver or relinquishment of the future performance of any such term, covenant, or condition or the future exercise of such rights, nor shall it be deemed to be a waiver or relinquishment of any other term, covenant, or condition or the exercise of any other rights under the contract.
<b>DIES, TOOLS AND PATTERNS</b>	Dies, tools and patterns required to produce the article quoted on shall remain the property of BF. Preparation charges for dies, tools and patterns represent only a portion of cost. Payment of such charge does not give you any right, title, or interest in such dies, tools, or other products of preparation. We will not be responsible for retention of dies or patterns on which no orders are received for two years or more.
<b>FORCE MAJEURE</b>	Any delays in or failure of performance of BF shall not constitute default or give rise to any claims or damages if and to the extent that such delay or failure is caused by occurrences beyond the control of BF, including but not limited to acts of God or the public enemy, expropriation or confiscation of facilities, compliance with any order or request of any governmental authority, acts of war, rebellion or sabotage or damage resulting therefrom, embargoes or other export restrictions, fires, floods, explosions, accidents, breakdowns, riots or strikes or other conceived acts of workmen, whether direct or indirect, or any other causes whether or not of the same class or kind as those specifically above named which are not within the control of BF and which by the exercise of reasonable diligence, BF is unable to prevent or provide against.
<b>PURCHASER'S ACCEPTANCE OF ABOVE CONDITIONS</b>	The contract shall be subject to the terms and conditions contained or referred to in BF's price schedule, quotation or order acknowledgment and to no others whatsoever. No waiver, alteration, or modification of the terms and conditions in this price schedule, quotation or order acknowledgment shall be binding unless in writing and signed by an authorized representative of BF.

Note: The material in this catalog is for general information. For specific performance data and proper material selection, consult your Bonney Forge representative. Although every attempt has been made to ensure that the information contained in this catalog is correct, Bonney Forge reserves the right to change designs, materials or specifications without notice.

