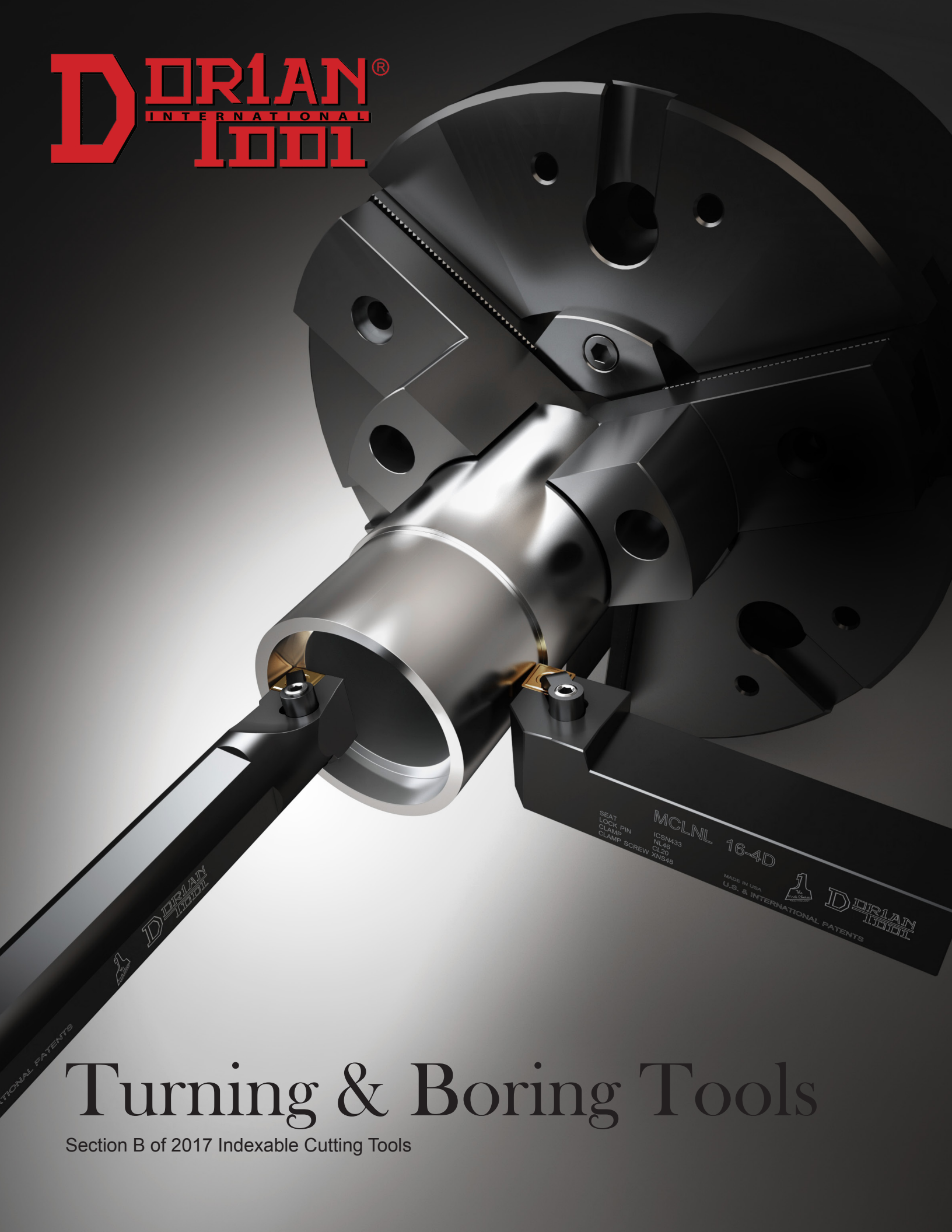


D **DORIAN**[®]
INTERNATIONAL
TOOL



SEAT
LOCK PIN
CLAMP
CLAMP SCREW XN648

MCLNL 16-4D

ICSN433
NL48
CL20

MADE IN USA



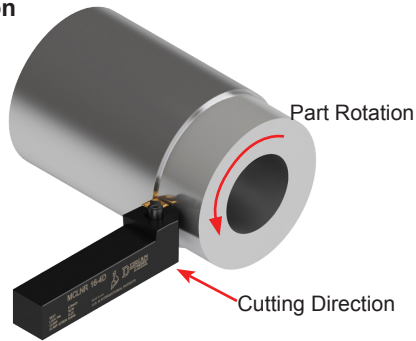
D **DORIAN**[®]
INTERNATIONAL
TOOL

Turning & Boring Tools

Section B of 2017 Indexable Cutting Tools

Turning Operation

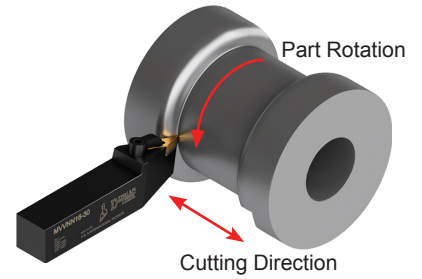
A machining process used to generate external, cylindrical forms by removing material, usually with a single-point cutting tool.



End Feed Cutting

O.D. Profile

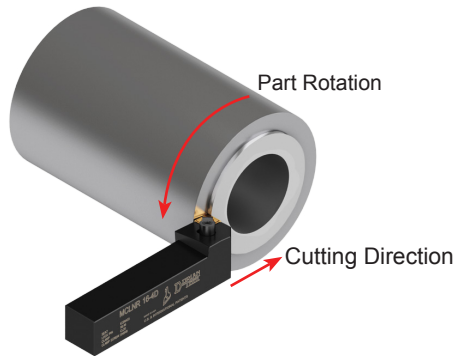
A machining process where a tool follows an external contour instead of following a straight path.



End Feed Cutting

Facing Operation

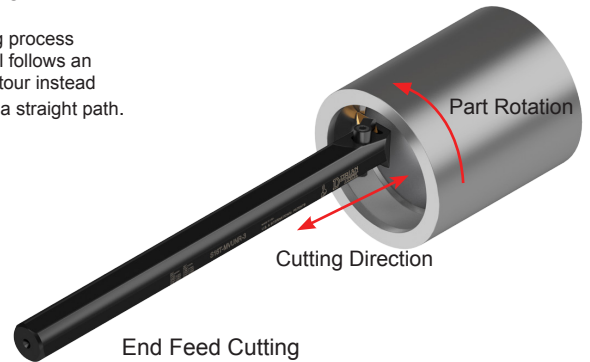
The process of making a flat surface at the end of a part.



End Feed Cutting

I.D. Profile

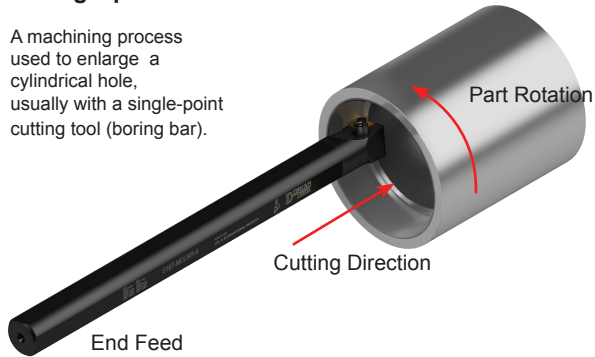
A machining process where a tool follows an internal contour instead of following a straight path.



End Feed Cutting

Boring Operation

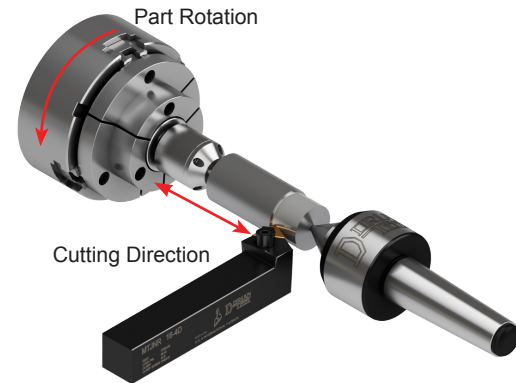
A machining process used to enlarge a cylindrical hole, usually with a single-point cutting tool (boring bar).



End Feed

Between Centers Work

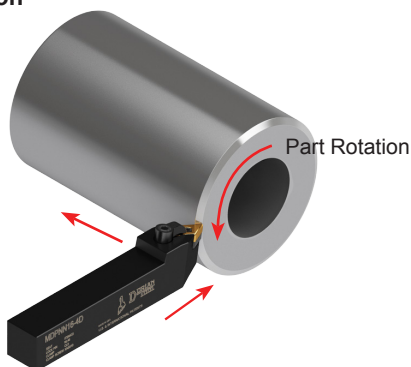
A machining process where a work piece is held by using centers on each end. It allows the entire length of the outside diameter of the part to be machined in one continuous operation.



Cutting Direction

Chamfering Operation

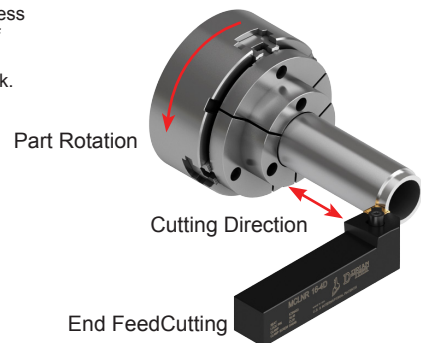
Metal turning operation used to remove sharp edges from workpiece diameter.



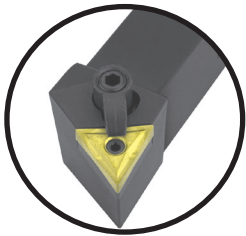
End Feed Cutting

Chuck Work

A machining process where any type of workpiece has to be held by a chuck.



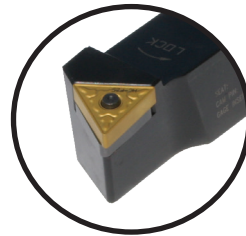
End Feed Cutting



"M" - Multi-Lock Toolholder System

- Maximum rigidity
- Utilizes lock pin and clamp
- Holds insert and seat secure for less vibration

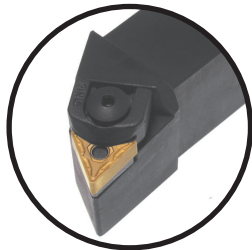
Page B-8 - B-26



"T" Cam-Lock Toolholder

- One locking action to secure the insert
- Two second change over
- Triangular negative turning insert

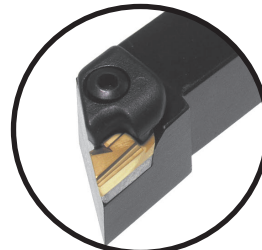
Page B-27



"W" - Wedge Lock Toolholder System

- Excellent locking ability
- Easier to index or change insert without the lock pin
- Allows for an optional chip breaker to be placed on the insert

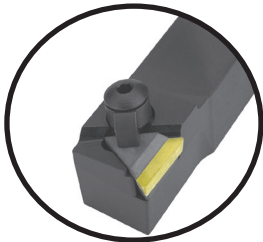
Page B-28



"P" - Profile Toolholder System

- Easy to index insert
- Uses special clamp for a secure positive lock with more force

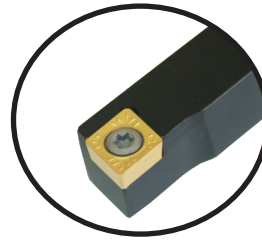
Page B-28



"C" - Clamp-Lock Toolholder System

- Excellent locking ability
- Easier to index or change insert without the lock pin
- Allows for an optional chip breaker to be placed on the insert

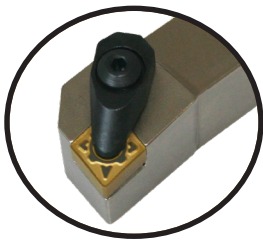
Page B-29 - B-33



"S" - Screw-Lock Toolholder System

- Easy to index insert
- Uses Torx screw for a secure lock with more force

Page B-34 - B-55

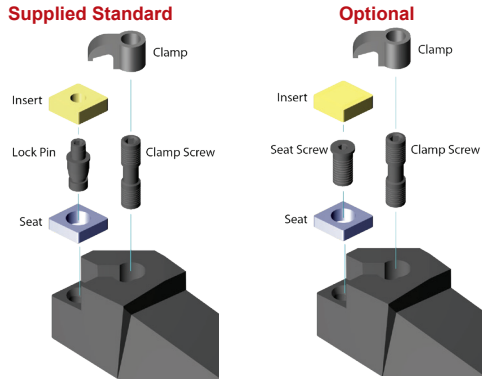


"D" - Dor Lock Toolholder System

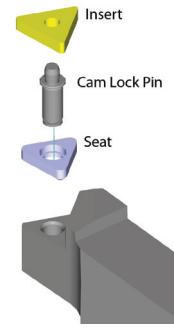
- Excellent locking ability

Page B-56 - B-60

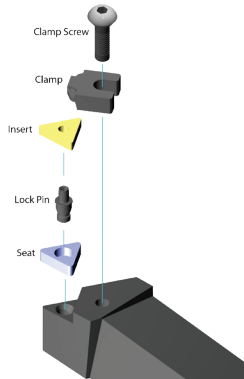
"M" - Multi-Lock Toolholder System Spare Parts



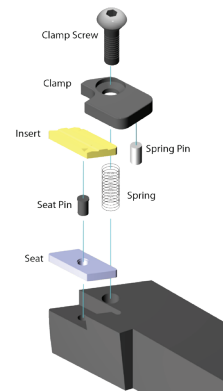
"T" Cam-Lock Toolholder System Spare Parts



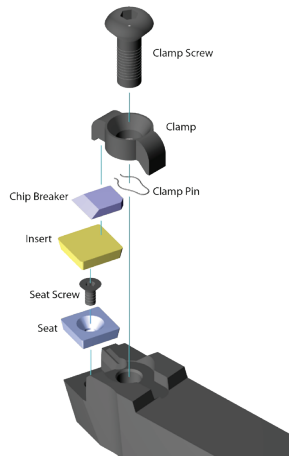
"W" - Wedge Lock Toolholder System Spare Parts



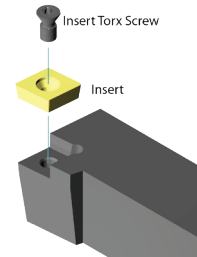
"P" - Profile Toolholder System Spare Parts



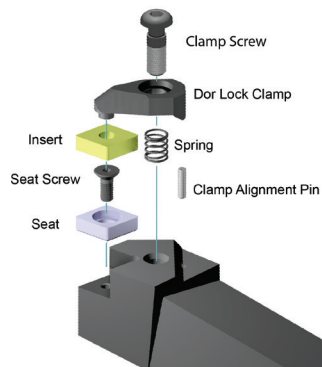
"C" - Clamp-Lock Toolholder System Spare Parts



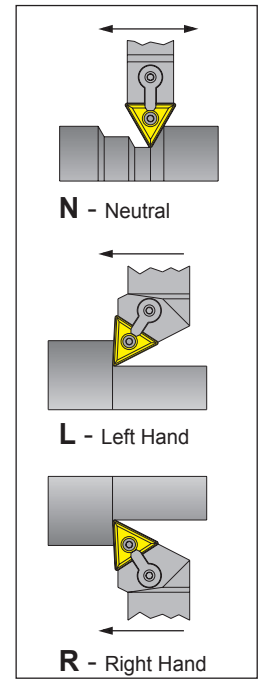
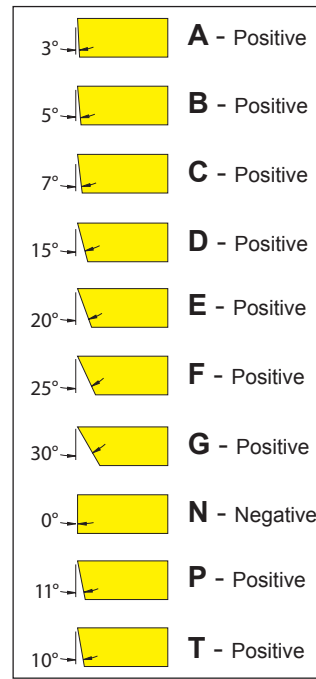
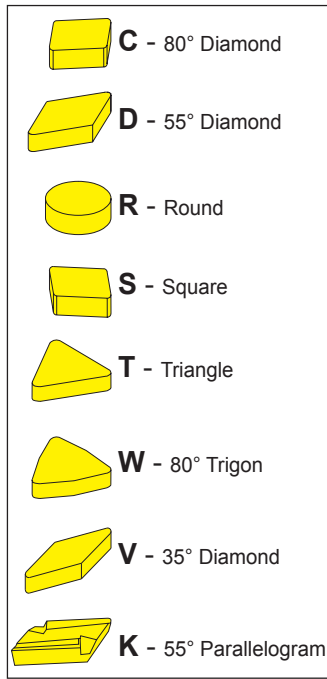
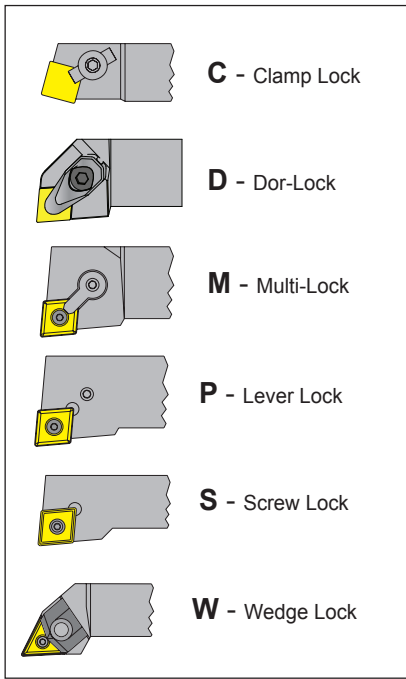
"S" - ISO Screw-Lock Toolholder System Spare Parts



"D" - Dor Lock Toolholder System Spare Parts



Toolholder Identification System



1. Holding Method

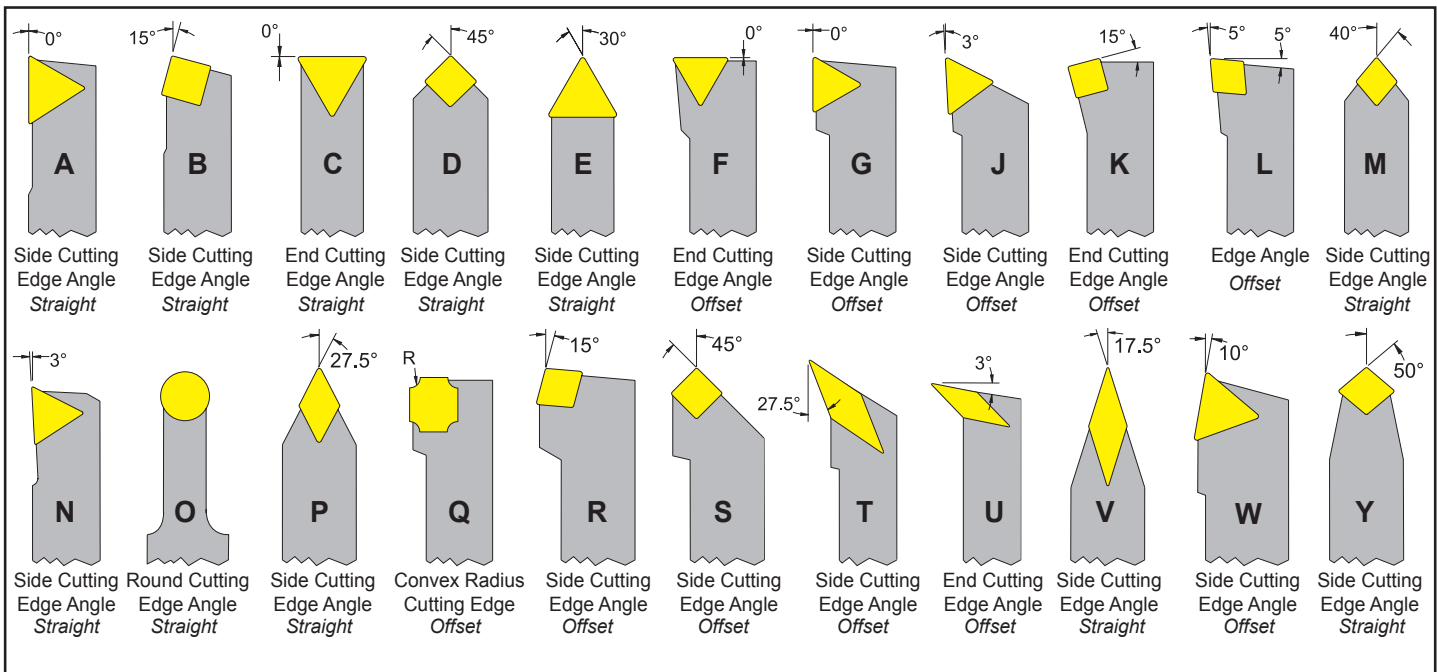
2. Insert Geometry

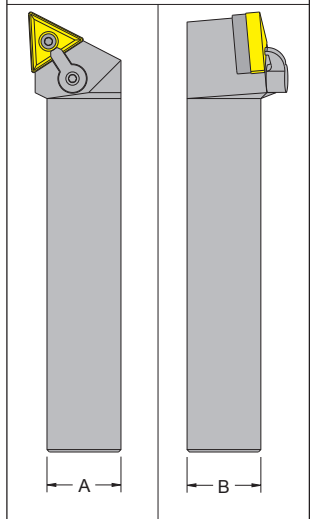
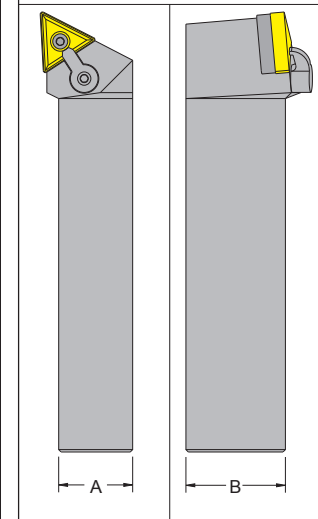
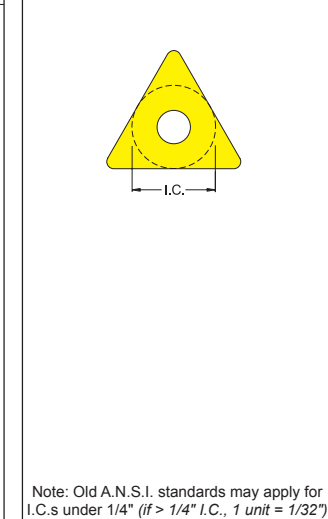
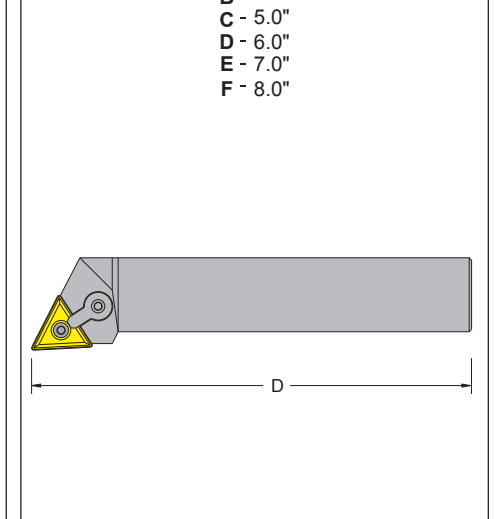
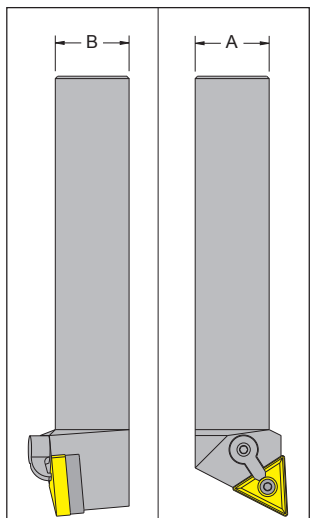
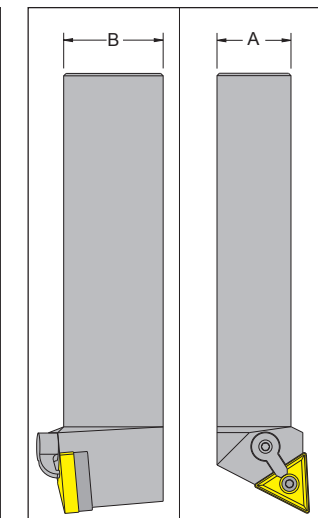
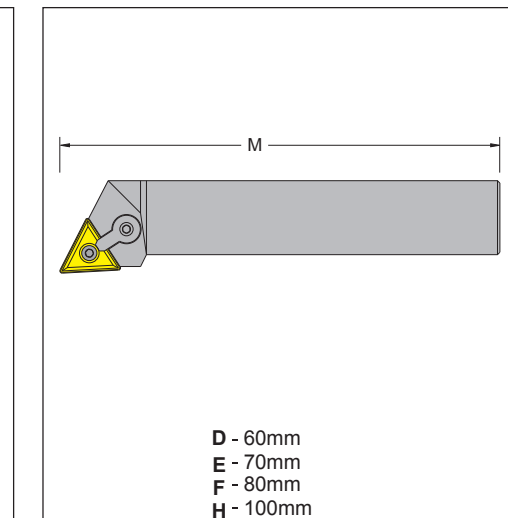
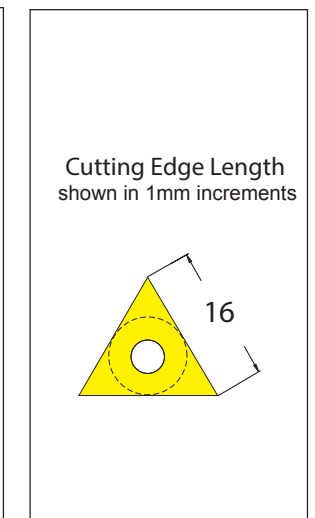
4. Insert Clearance Angle

5. Hand of Tool

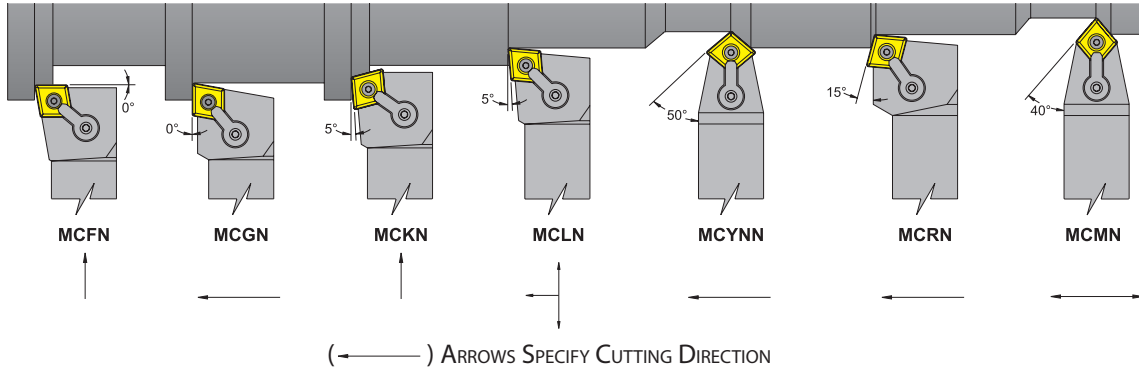


3. Tool Style

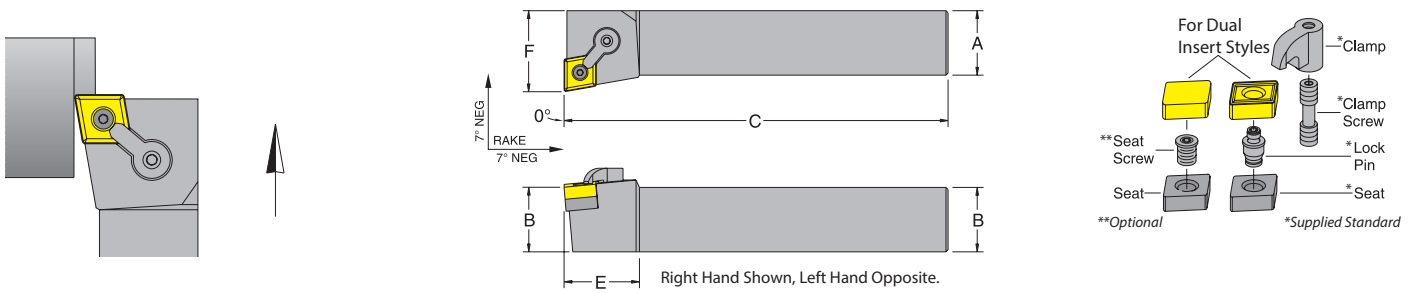


<p>Expressed in 1/16" Increments EX: 16 units (16 x 1/16") = 1" square <i>1/2" square and below will start with a 0. EX: 1/2" = 08</i></p> 	<p>"A" expressed in 1/8" Increments "B" expressed in 1/4" Increments EX: 64 (6 x 1/8") & (4 x 1/4") = 3/4" x 1"</p> 	<p>Insert I.C. (Inscribed Circle): Measures surface in 1/8" or 1/32" increments, 1 unit = 1/8" EX: 4 units (4 x 1/8") = 1/2"</p>  <p>Note: Old A.N.S.I. standards may apply for I.C.s under 1/4" (if > 1/4" I.C., 1 unit = 1/32")</p>	<p>J - 3 - 1/2" A - 4.0" B - 4 - 1/2" C - 5.0" D - 6.0" E - 7.0" F - 8.0"</p> 
<p>6. Square Size</p>	<p>7. Rectangle Size</p>	<p>8. Insert Size I.C.</p>	<p>9. Length</p>
<p>6 ——— 7 ——— 7 ———</p> <p>1 6</p> <p>6 ——— 7 ——— 7 ———</p> <p>25 25</p>		<p>8 ——— 9 ———</p> <p>4 D Inch</p> <p>8 ——— 9 ———</p> <p>M 16 Metric</p>	
<p>6. Square Size</p>	<p>7. Rectangle Size</p>	<p>9. Length</p>	<p>9. Insert Size</p>
			<p>Cutting Edge Length shown in 1mm increments</p> 
<p>Expressed in 1mm Increments EX: 2525 = 25mm square</p>	<p>Expressed in 1mm Increments EX: 3225 = 32mm height x 25mm width</p>	<p>D - 60mm E - 70mm F - 80mm H - 100mm K - 125mm M - 150mm P - 170mm</p>	

MC - Style Toolholders Turning Application



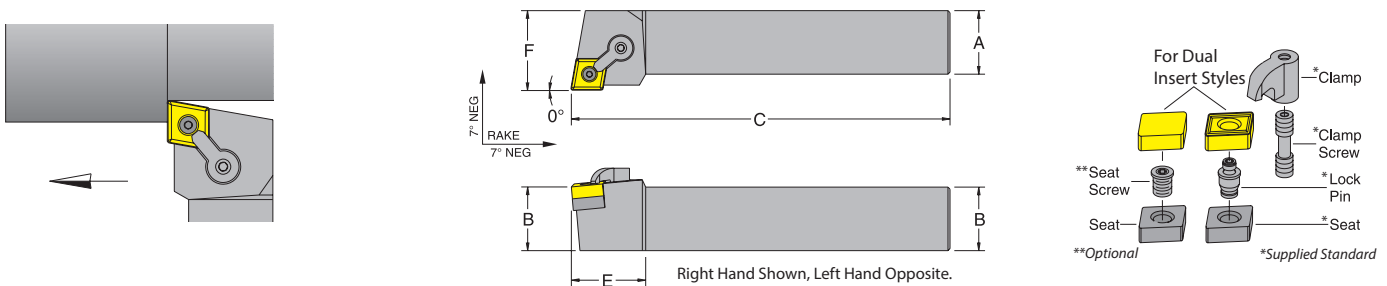
MCFN R/L Toolholder Style F - 0° End Cutting Edge Angle for negative 80° diamond CNM_ inserts



Inch Description	UPC No. 733101-		A	B	C	E	F	CNM_ Gage Insert	Seat	Lock Pin	Clamp	Clamp Screw	Optional Seat Screw
	R.H.	L.H.											
MCFNR/L12-4B	-	50011	0.75	0.75	4.50	1.250	1.000	432	ICSN-433	NL-46	CL-20	XNS-48	S-46
MCFNR/L16-4C	50014	50015	1.00	1.00	5.00	1.250	1.250						
MCFNR/L16-4D	50018	50019	1.00	1.00	6.00	1.250	1.250						
MCFNR/L16-5D	50022	50023	1.00	1.00	6.00	1.375	1.250	543	ICSN-533	NL-58	CL-12	XNS-510	S-58
MCFNR/L16-6D	50026	50027	1.00	1.00	6.00	1.500	1.250	643	ICSN-633	NL68	CL-9	XNS-510	S-68

For Turning inserts see pages A-62 - A-91. For spare parts see pages B-91-B-92.

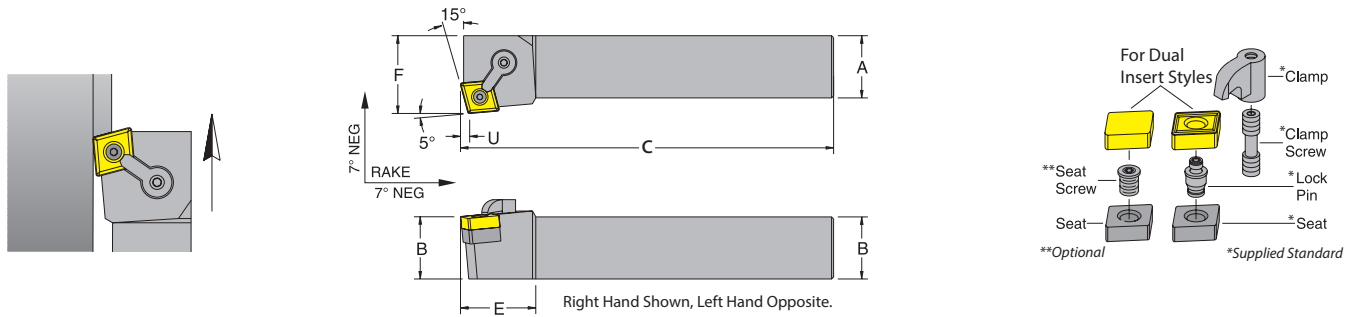
MCGN R/L Toolholder Style G - 0° Side Cutting Edge Angle for negative 80° diamond CNM_ inserts



Inch Description	UPC No. 733101-		A	B	C	E	F	CNM_ Gage Insert	Seat	Lock Pin	Clamp	Clamp Screw	Optional Seat Screw
	R.H.	L.H.											
MCGNR/L12-4B	50036	50037	0.75	0.75	4.50	1.250	1.000	432	ICSN-433	NL-46	CL-20	XNS-48	S-46
MCGNR/L16-4C	-	50041	1.00	1.00	5.00	1.250	1.250						
MCGNR/L16-4D	50044	50045	1.00	1.00	6.00	1.250	1.250						
MCGNR/L16-5D	50048	50049	1.00	1.00	6.00	1.375	1.250	543	ICSN-533	NL-58	CL-12	XNS-510	S-58
MCGNR/L16-6D	-	50053	1.00	1.00	6.00	1.625	1.250	643	ICSN-633	NL-68	CL-12	XNS-510	S-68
MCGNR/L85-6D	50056	50057	1.00	1.25	6.00	1.625	1.250						

For Turning inserts see pages A-62 - A-91. For spare parts see pages B-91-B-92.

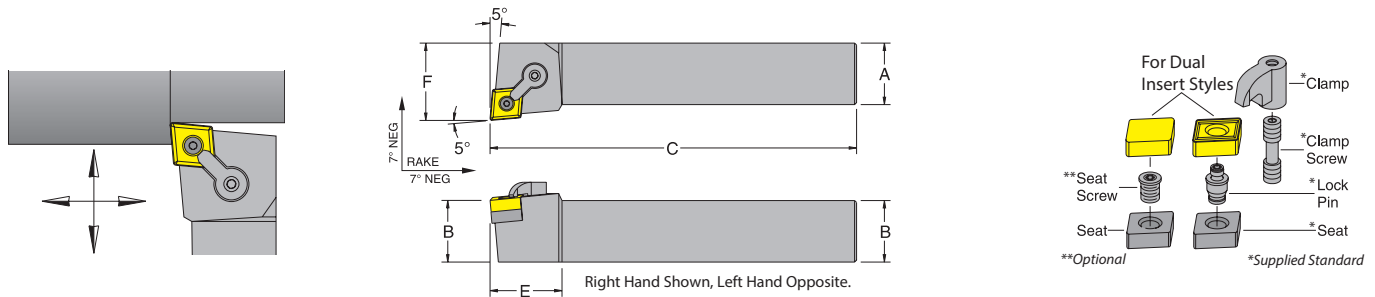
MCKN R/L Toolholder Style K- 15° End Cutting Edge Angle for negative 80° diamond CNM_ inserts



Inch Description	UPC No. 733101-		A	B	C	E	F	U	CNM_ Gage Insert	Seat	Lock Pin	Clamp	Clamp Screw	Optional Seat Screw
	R.H.	L.H.												
MCKNR/L12-4B	50066	50067	0.75	0.75	4.50	1.250	1.000	.123	432	ICSN-433	NL-46	CL-20	XNS-48	S-46
MCKNR/L16-4C	50070	50071	1.00	1.00	5.00	1.250	1.250							
MCKNR/L16-4D	50074	50075	1.00	1.00	6.00	1.250	1.250							
MCKNR/L20-4D	50078	50079	1.25	1.25	6.00	1.250	1.500							
MCKNR/L16-5D	50082	50083	1.00	1.00	6.00	1.375	1.250	.151	543	ICSN-533	NL-58	CL-9	XNS-59	S-58
MCKNR/L20-5D	50086	50087	1.25	1.25	6.00	1.375	1.500							
MCKNR/L85-5D	50090	50091	1.00	1.25	6.00	1.375	1.250							
MCKNR/L16-6D	-	50095	1.00	1.00	6.00	1.500	1.250	.184	643	ICSN-633	NL-68	CL-12	XNS-510	S-68
MCKNR/L20-6D	50098	50099	1.25	1.25	6.00	1.500	1.500							
MCKNR/L24-6E	50102	50103	1.50	1.50	7.00	1.500	2.000							
MCKNR/L86-6E	50106	50107	1.00	1.50	7.00	1.500	1.250							

For Turning inserts see pages A-62 - A-91. For spare parts see pages B-91-B-92.

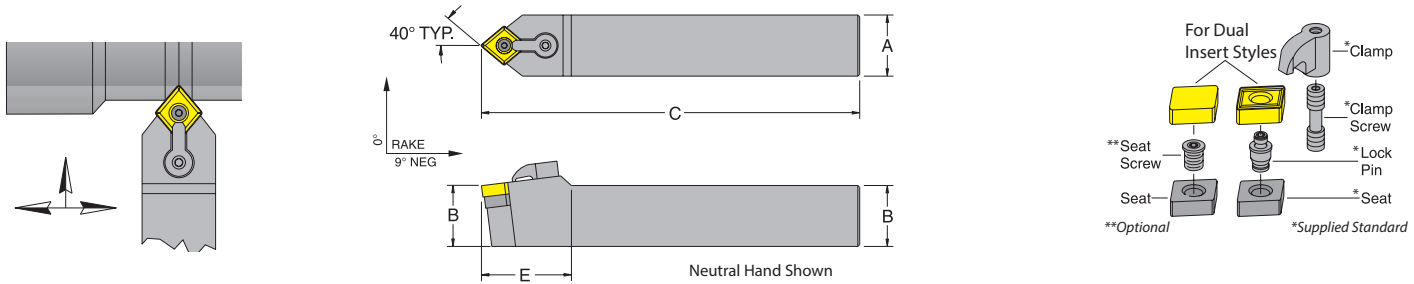
MCLN R/L Toolholder Style L - Negative 5° End or Side Cutting Edge Angle for negative 80° diamond CNM_ inserts



Inch Description	UPC No. 733101-		A	B	C	E	F	CNM_ Gage Insert	Seat	Lock Pin	Clamp	Clamp Screw	Optional Seat Screw
	R.H.	L.H.											
MCLNR/L08-3A	50108	50109	0.500	0.500	4.00	1.000	0.750	322	-	NL-33	CL-6	XNS-37	-
MCLNR/L10-3A	50118	50119	0.625	0.625	4.00	1.000	0.875						
MCLNR/L12-3B	50110	50111	0.750	0.750	4.50	1.000	1.000	322	ICSN-332	NL-34L	CL-6	XNS-37	S-34
MCLNR/L16-3C	50112	50113	1.000	1.000	5.00	1.000	1.250						
MCLNR/L10-4B	50116	50117	0.625	0.625	4.50	1.250	1.000						
MCLNR/L12-4B	50120	50121	0.750	0.750	4.50	1.250	1.000						
MCLNR/L16-4C	50124	50125	1.000	1.000	5.00	1.250	1.250	432	ICSN-433	NL-46	CL-20	XNS-48	S-46
MCLNR/L16-4D	50128	50129	1.000	1.000	6.00	1.250	1.250						
MCLNR/L20-4D	50132	50133	1.250	1.250	6.00	1.250	1.500						
MCLNR/L24-4D	50136	50137	1.500	1.500	6.00	1.250	2.000						
MCLNR/L24-4E	50140	50141	1.500	1.500	7.00	1.250	2.000	543	ICSN-533	NL-58	CL-12	XNS-510	S-58
MCLNR/L85-4D	50144	50145	1.000	1.250	6.00	1.250	1.250						
MCLNR/L16-5C	50148	50149	1.000	1.000	5.00	1.375	1.250						
MCLNR/L16-5D	50152	50153	1.000	1.000	6.00	1.375	1.250						
MCLNR/L20-5D	50156	50157	1.250	1.250	6.00	1.375	1.500	643	ICSN-633	NL-68	CL-12	XNS-510	S-68
MCLNR/L86-5E	50160	-	1.000	1.500	7.00	1.375	1.250						
MCLNR/L16-6C	50164	50165	1.000	1.000	5.00	1.500	1.250						
MCLNR/L16-6D	50168	50169	1.000	1.000	6.00	1.500	1.250						
MCLNR/L20-6D	50172	50173	1.250	1.250	6.00	1.500	1.500	643	ICSN-633	NL-68	CL-12	XNS-510	S-68
MCLNR/L20-6E	50174	50175	1.250	1.250	7.00	1.500	1.500						
MCLNR/L24-6D	50176	50177	1.500	1.500	6.00	1.500	2.000						
MCLNR/L24-6E	50180	50181	1.500	1.500	7.00	1.500	2.000						
MCLNR/L85-6D	50184	50185	1.000	1.250	6.00	1.500	1.250	643	ICSN-633	NL-68	CL-12	XNS-510	S-68
MCLNR/L86-6E	50188	50189	1.000	1.500	7.00	1.500	1.250						

For Turning inserts see pages A-62 - A-91. For spare parts see pages B-91-B-92.

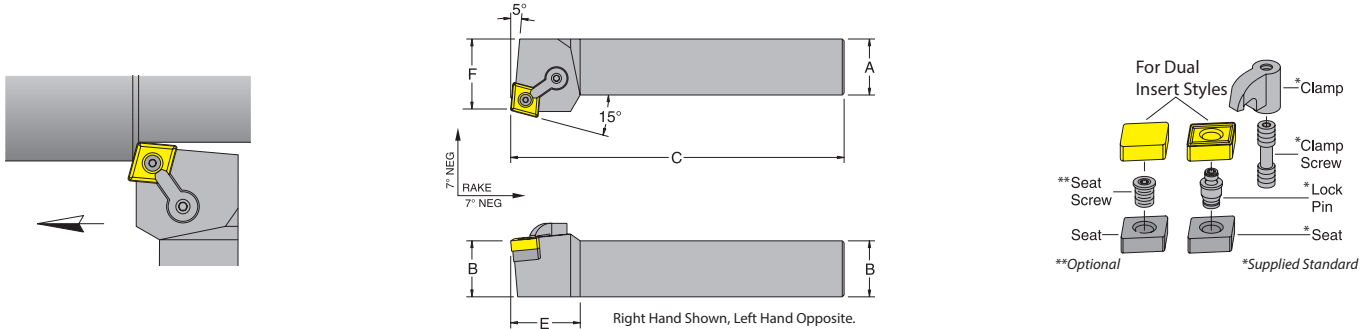
MCMNN Toolholder Style M - 40° Side Cutting Edge Angle for negative 80° diamond CNM_ inserts



Inch Description	Part No. 733101-	A	B	C	E	CNM_ Gage Insert	Seat	Lock Pin	Clamp	Clamp Screw	Optional Seat Screw
MCMNN12-4B	50198	0.75	0.75	4.50	1.500	432	ICSN-433	NL-46	CL-12	XNS-59	S-46
MCMNN16-4D	50200	1.00	1.00	6.00	1.500	432	ICSN-433	NL-46	CL-12	XNS-510	S-46
MCMNN16-5D	50202	1.00	1.00	6.00	1.750	543	ICSN-533	NL-58	CL-12	XNS-510	S-58
MCMNN20-5D	50204	1.25	1.25	6.00	1.750						
MCMNN16-6D	50206	1.00	1.00	6.00	2.000	643	ICSN-633	NL-68	CL-30	XNS-59	S-68
MCMNN20-6D	50208	1.25	1.25	6.00	2.000	643	ICSN-633	NL-68	CL-30	XNS-510	S-68

For Turning inserts see pages A-62 - A-91. For spare parts see pages B-91-B-92.

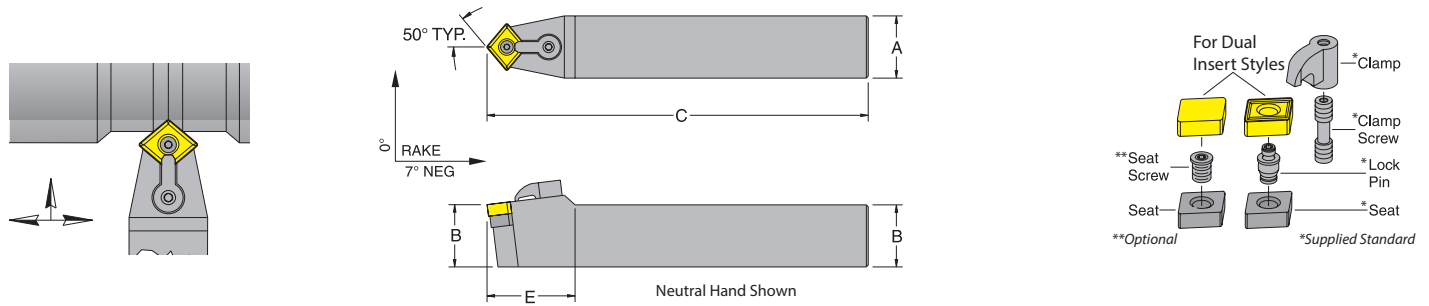
MCRN R/L Toolholder Style R - 15° Side Cutting Edge Angle for negative 80° diamond CNM_ inserts



Inch Description	UPC No. 733101-		A	B	C	E	F	CNM_ Gage Insert	Seat	Lock Pin	Clamp	Clamp Screw	Optional Seat Screw
	R.H.	L.H.											
MCRNR/L12-3B	50218	50219	0.75	0.75	4.5	0.875	0.800	432	ICSN-332	NL-34L	CL-6	XNS-37	S-34
MCRNR/L12-4B	50220	50221	0.75	0.75	4.5	1.250	0.750						
MCRNR/L16-4C	50224	-	1.00	1.00	5.0	1.250	1.250						
MCRNR/L16-4D	50228	50229	1.00	1.00	6.0	1.250	1.250						
MCRNR/L20-4D	50232	50233	1.25	1.25	6.0	1.250	1.500						
MCRNR/L24-4E	50236	50237	1.50	1.50	7.0	1.250	2.000	543	ICSN-533	NL-58	CL-9	XNS-510	S-58
MCRNR/L16-5D	50240	50241	1.00	1.00	6.0	1.375	1.250						
MCRNR/L20-5D	50244	50245	1.25	1.25	6.0	1.375	1.500						
MCRNR/L85-5D	50248	50249	1.00	1.25	6.0	1.375	1.250						
MCRNR/L16-6D	50252	50253	1.00	1.00	6.0	1.500	1.250						
MCRNR/L20-6D	50256	50257	1.25	1.25	6.0	1.500	1.500	643	ICSN-633	NL-68	CL-12	XNS-510	S-68
MCRNR/L24-6E	50260	50261	1.50	1.50	7.0	1.500	2.000						
MCRNR/L86-6E	50264	-	1.00	1.50	7.0	1.500	1.250						

For Turning inserts see pages A-62 - A-91. For spare parts see pages B-91-B-92.

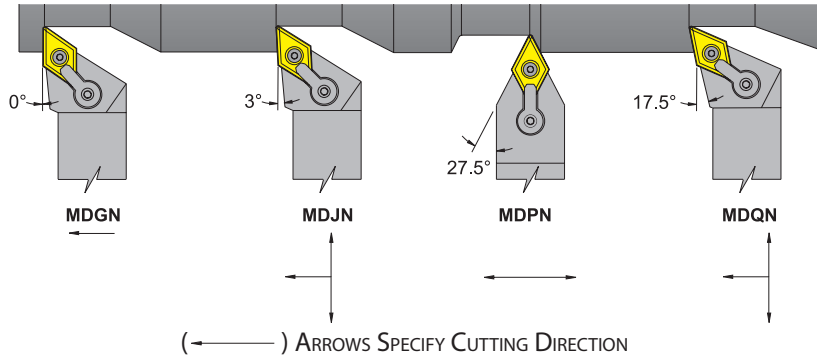
MCYNN Toolholder Style Y - 50° Side Cutting Edge Angle for negative 80° diamond CNM_ Inserts



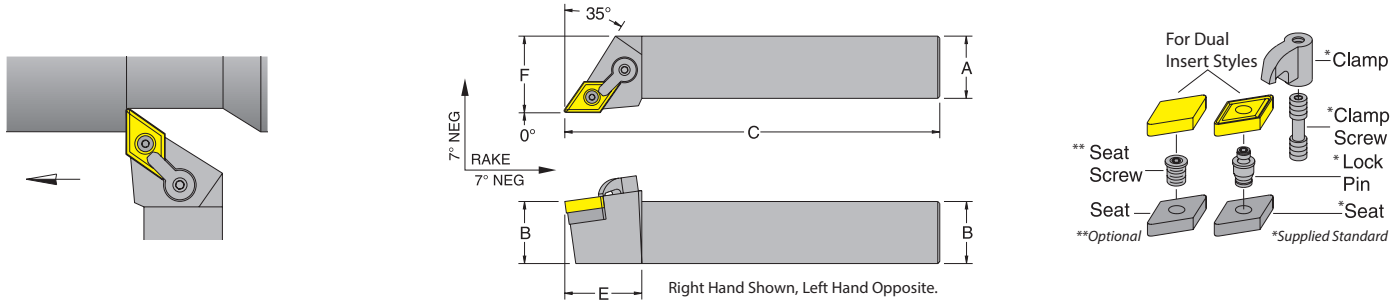
Inch Description	Part No. 733101-	A	B	C	E	CNM_ Gage Insert	Seat	Lock Pin	Clamp	Clamp Screw	Optional Seat Screw
MCYNN12-4B	50274	0.75	0.75	4.5	1.375	432	ICSN-433	NL-46	CL-20	XNS-48	S-46
MCYNN16-4D	50276	1.00	1.00	6.0	1.375						
MCYNN85-4D	50278	1.00	1.25	6.0	1.375						
MCYNN16-5D	50280	1.00	1.00	6.0	1.625	543	ICSN-533	NL-58	CL-12	XNS-510	S-58
MCYNN16-6D	50284	1.00	1.00	6.0	1.750						
MCYNN20-6D	50286	1.25	1.25	6.0	1.750	643	ICSN-633	NL68	CL-12	XNS-510	S-68
MCYNN24-6E	50288	1.50	1.50	7.0	1.750						

For Turning inserts see pages A-62 - A-91. For spare parts see pages B-91-B-92.

MD - Style Toolholders



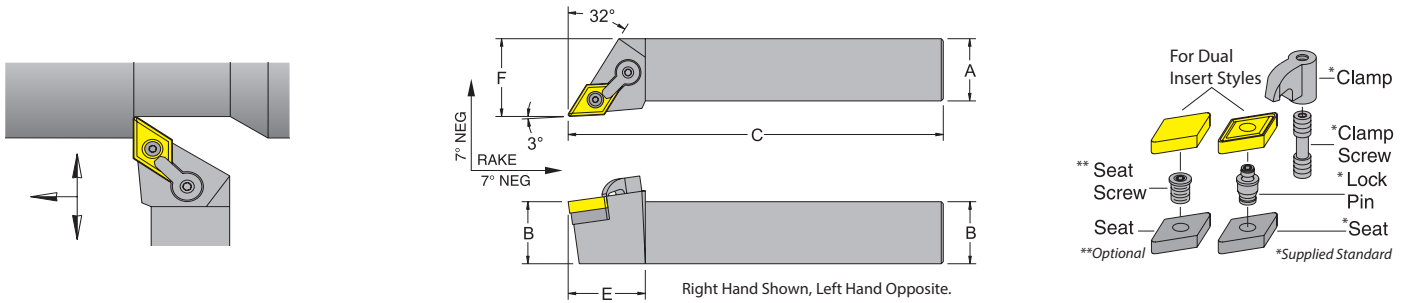
MDGN R/L Toolholder Style G- 0° Side Cutting Edge Angle for negative 55° diamond DNM_ inserts



Inch Description	UPC No. 733101-		A	B	C	E	F	DNM_ Gage Insert	Seat	Lock Pin	Clamp	Clamp Screw	Optional Seat Screw
	R.H.	L.H.											
MDGNR/L12-4B	50298	-	0.75	0.75	4.50	1.25	1.00	432	IDSN-433	NL-46	CL-7	XNS-36	S-46
MDGNR/L16-4D	50302	-	1.00	1.00	6.00	1.25	1.25	432	IDSN-433	NL-46	CL-20	XNS-48	S-46
MDGNR/L16-5D	50306	50307	1.00	1.00	6.00	1.75	1.25	543	IDSN-533	NL58	CL-12	XNS-510	S-58

For Turning inserts see pages A-62 - A-91. For spare parts see pages B-91-B-92.

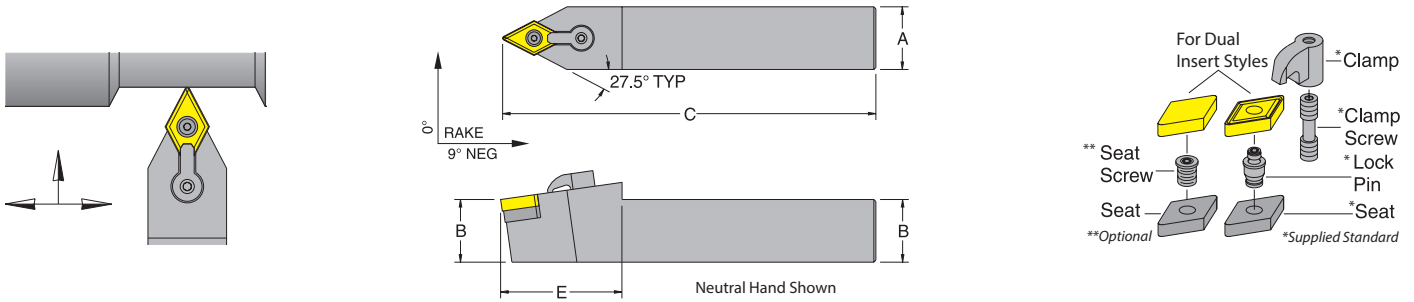
MDJN R/L Toolholder Style J- 3° Side Cutting Edge Angle for negative 55° diamond DNM_ inserts



Inch Description	UPC No. 733101-		A	B	C	E	F	DNM_ Gage Insert	Seat	Lock Pin	Clamp	Clamp Screw	Optional Seat Screw
	R.H.	L.H.											
MDJNR/L08-3A	50316	50317	0.500	0.500	4.00	1.250	0.750	332	-	NL-33	CL-7	XNS-36	-
MDJNR/L10-3B	50320	50321	0.625	0.625	4.50	1.250	0.875	332	IDSN-322	NL-34L	CL-7	XNS-36	S-34
MDJNR/L12-3B	50312	50313	0.750	0.750	4.50	1.250	1.000						
MDJNR/L16-3C	50314	50315	1.000	1.000	5.00	1.250	1.250						
MDJNR/L16-3D	51318	51319	1.000	1.000	6.00	1.250	1.250	432	IDSN-433	NL-46	CL-7	XNS-36	S-46
MDJNR/L12-4B	50324	50325	0.750	0.750	4.50	1.250	1.000						
MDJNR/L16-4C	50328	50329	1.000	1.000	5.00	1.250	1.250						
MDJNR/L16-4D	50332	50333	1.000	1.000	6.00	1.250	1.250						
MDJNR/L20-4D	50336	50337	1.250	1.250	6.00	1.250	1.500	432	IDSN-433	NL-46	CL-20	XNS-48	S-46
MDJNR/L24-4D	50340	50341	1.500	1.500	6.00	1.250	2.000						
MDJNR/L24-4E	50344	50345	1.500	1.500	7.00	1.250	2.000						
MDJNR/L85-4D	50348	50349	1.000	1.250	6.00	1.250	1.250						
MDJNR/L16-5C	50350	50351	1.000	1.000	5.00	1.750	1.250	543	IDSN-533	NL-58	CL-12	XNS-510	S-58
MDJNR/L16-5D	50352	50353	1.000	1.000	6.00	1.750	1.250						
MDJNR/L20-5D	50356	50357	1.250	1.250	6.00	1.750	1.500						
MDJNR/L24-5D	50360	-	1.500	1.500	6.00	1.750	2.000						
MDJNR/L24-5E	50364	50365	1.500	1.500	7.00	1.750	2.000	543	IDSN-533	NL-58	CL-12	XNS-510	S-58
MDJNR/L86-5E	50368	-	1.000	1.500	7.00	1.750	1.250						

For Turning inserts see pages A-62 - A-91. For spare parts see pages B-91-B-92.

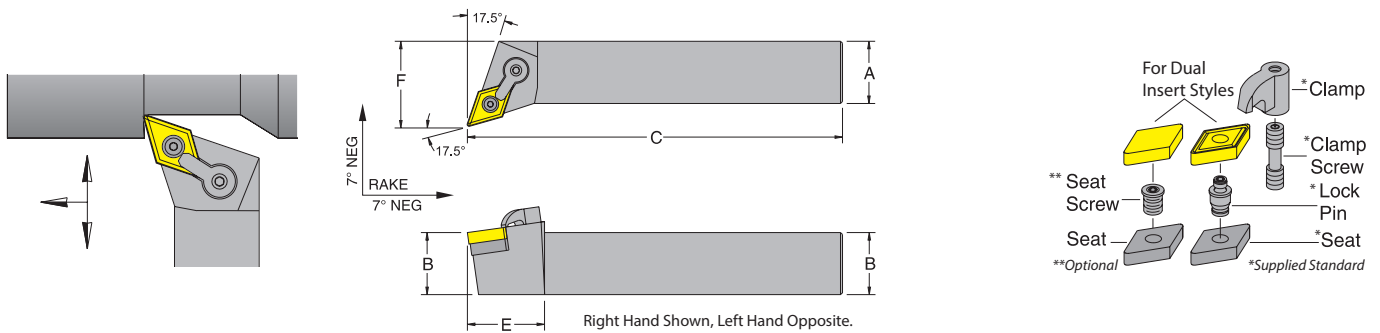
MDPN N Toolholder Style P- 27.5° Side Cutting Edge Angle for negative 55° diamond DNM_ inserts



Inch Description	Part No. 733101-	A	B	C	E	DNM_ Gage Insert	Seat	Lock Pin	Clamp	Clamp Screw	Optional Seat Screw
MDPNN12-4B	50370	0.75	0.75	4.50	1.75	432	IDSN-433	NL-46	CL-12	XNS-510	S-46
MDPNN16-4D	50372	1.00	1.00	6.00	1.75						
MDPNN20-4D	50374	1.25	1.25	6.00	1.75						
MDPNN16-5D	50376	1.00	1.00	6.00	2.00	543	IDSN-533	NL-58	CL-12	XNS-510	S-58
MDPNN20-5D	50378	1.25	1.25	6.00	2.00						
MDPNN24-5D	50380	1.50	1.50	6.00	2.00						

For Turning inserts see pages A-62 - A-91. For spare parts see pages B-91-B-92.

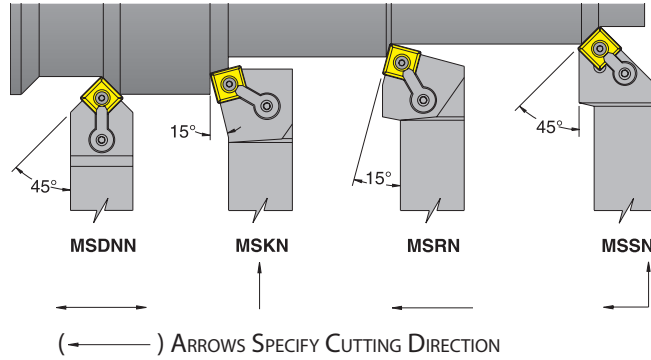
MDQN R/L Toolholder Style Q- 17.5° Side Cutting Edge Angle for negative 55° diamond DNM_ inserts



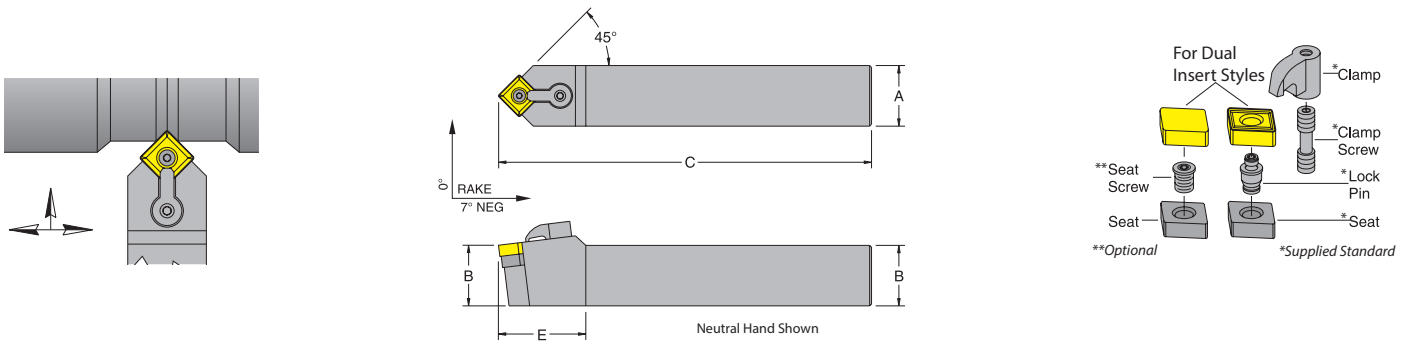
Inch Description	UPC No. 733101-		A	B	C	E	F	DNM_ Gage Insert	Seat	Lock Pin	Clamp	Clamp Screw	Optional Seat Screw
	R.H.	L.H.											
MDQNR/L12-4B	50371	50373	0.75	0.75	4.5	1.37	1.00	432	IDSN-433	NL-46	CL-20	XNS-48	S-46
MDQNR/L16-4C	50375	50377	1.00	1.00	5.0	1.37	1.25						
MDQNR/L16-4D	50379	50381	1.00	1.00	6.0	1.37	1.25						
MDQNR/L20-4D	50383	50385	1.25	1.25	6.0	1.37	1.50						
MDQNR/L24-4D	50387	50389	1.50	1.50	6.0	1.37	2.00	543	IDSN-533	NL-58	CL-12	XNS-510	S-58
MDQNR/L20-5D	50395	50397	1.25	1.25	6.0	1.47	1.50						
MDQNR/L24-5E	50403	-	1.50	1.50	7.0	1.47	2.00						

For Turning inserts see pages A-62 - A-91. For spare parts see pages B-91-B-92.

MS - Style Toolholders



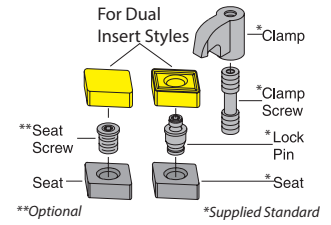
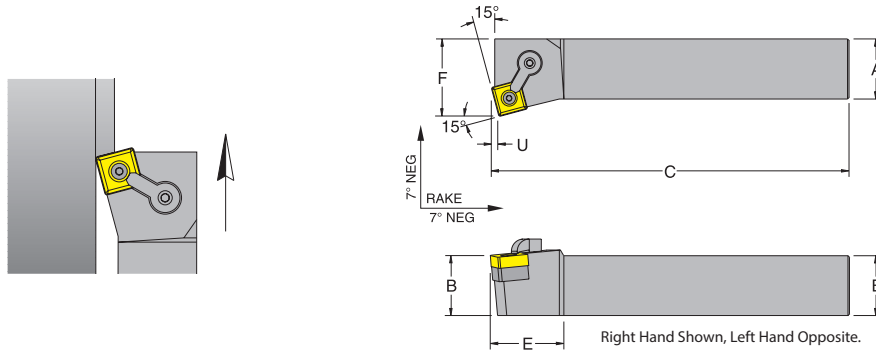
MSDN N Toolholder Style D - 45° Side Cutting Edge Angle for negative square SNM_ inserts



Inch Description	Part No. 733101-	A	B	C	E	SNM_Gage Insert	Seat	Lock Pin	Clamp	Clamp Screw	Optional Seat Screw
MSDNN08-3A	50392	0.500	0.500	4.00	1.000	322	ISSN-322	NL-34	CL-6	XNS-36	S-34
MSDNN08-3B	50394	0.500	0.500	4.50	1.000						
MSDNN10-3B	50396	0.625	0.625	4.50	1.000						
MSDNN12-3B	50398	0.750	0.750	4.50	1.000						
MSDNN12-4B	50400	0.750	0.750	4.50	1.375	432	ISSN-433	NL-46	CL-9	XNS-59	S-46
MSDNN16-4D	50402	1.000	1.000	6.00	1.375						
MSDNN85-4D	50404	1.000	1.250	6.00	1.375						
MSDNN16-5D	50406	1.000	1.000	6.00	1.625						
MSDNN20-5D	50408	1.250	1.250	6.00	1.625	543	ISSN-533	NL-58	CL-12	XNS-510	S-58
MSDNN85-5D	50410	1.000	1.250	6.00	1.625						
MSDNN86-5E	50412	1.000	1.500	7.00	1.625						
MSDNN16-6D	50414	1.000	1.000	6.00	1.750						
MSDNN20-6D	50416	1.250	1.250	6.00	1.750	643	ISSN-633	NL-68	CL-12	XNS-510	S-68
MSDNN20-6E	50417	1.250	1.250	7.00	1.750						
MSDNN24-6E	50418	1.500	1.500	7.00	1.750						
MSDNN85-6D	50420	1.000	1.250	6.00	1.750						
MSDNN86-6E	50422	1.000	1.500	7.00	1.750						

For Turning inserts see pages A-62 - A-91. For spare parts see pages B-91-B-92.

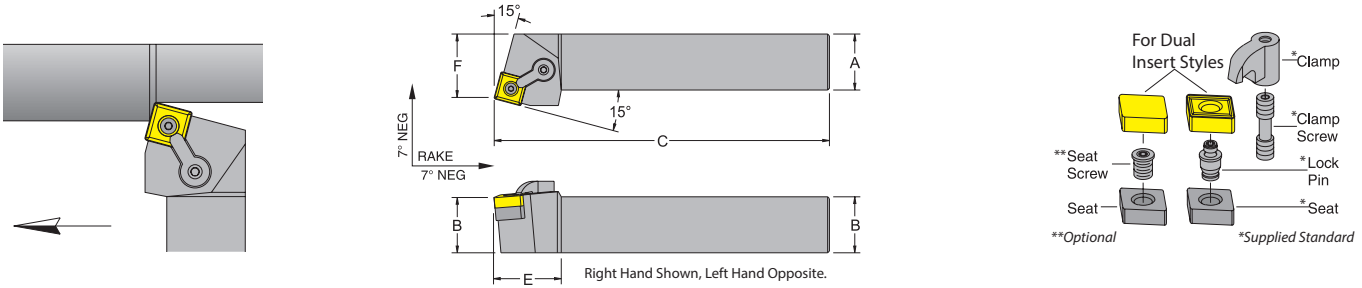
MSKN R/L Toolholder Style K- 15° End Cutting Edge Angle for negative square SNM_ inserts



Inch Description	UPC No. 733101-		A	B	C	E	F	U	SNM Gage Insert	Seat	Lock Pin	Clamp	Clamp Screw	Optional Seat Screw
	R.H.	L.H.												
MSKNR/L08-3A	50432	50433	0.500	0.500	4.00	1.000	0.625	0.900	322	ISSN-322	NL-34	CL-6	XNS-36	S-34
MSKNR/L08-3B	50436	50437	0.500	0.500	4.50	1.000	0.625	0.900						
MSKNR/L10-3B	50440	50441	0.625	0.625	4.50	1.000	0.750	0.900						
MSKNR/L12-3B	50444	50445	0.750	0.750	4.50	1.000	0.875	0.900						
MSKNR/L12-4B	50448	50449	0.750	0.750	4.50	1.250	1.000	0.122						
MSKNR/L16-4C	50452	-	1.000	1.000	5.00	1.250	1.250	0.122	432	ISSN-433	NL-46	CL-9	XNS-59	S-46
MSKNR/L16-4D	50456	50457	1.000	1.000	6.00	1.000	1.250	0.122						
MSKNR/L16-5D	50460	50461	1.000	1.000	6.00	1.375	1.250	0.151						
MSKNR/L20-5D	50464	50465	1.250	1.250	6.00	1.375	1.500	0.151	543	ISSN-533	NL-58	CL-12	XNS-510	S-58
MSKNR/L85-5D	50468	50469	1.000	1.250	6.00	1.375	1.250	0.151						
MSKNR/L20-6D	50472	50473	1.250	1.250	6.00	1.500	1.500	0.183	643	ISSN-633	NL-68	CL-12	XNS-510	S-68
MSKNR/L24-6D	50476	-	1.500	1.500	6.00	1.500	2.000	0.183						
MSKNR/L24-6E	50480	50481	1.500	1.500	7.00	1.500	2.000	0.183						

For Turning inserts see pages A-62 - A-91. For spare parts see pages B-91-B-92.

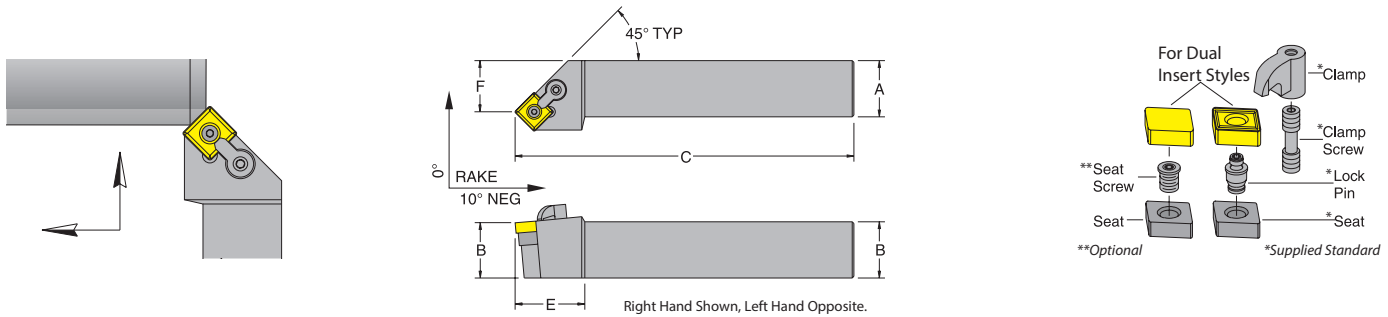
MSRN R/L Toolholder Style R- 15° Side Cutting Edge Angle for negative square SNM_ inserts



Inch Description	UPC No. 733101-		A	B	C	E	F	SNM_ Gage Insert	Seat	Lock Pin	Clamp	Clamp Screw	Optional Seat Screw
	R.H.	L.H.											
MSRNR/L08-3A	50490	50491	0.500	0.500	4.00	1.000	0.660	322	ISSN-322	NL-34	CL-6	XNS-36	S-34
MSRNR/L08-3B	50494	50495	0.500	0.500	4.50	1.000	0.660						
MSRNR/L10-3B	50498	50499	0.625	0.625	4.50	1.000	0.785						
MSRNR/L12-3B	50502	50503	0.750	0.750	4.50	1.000	0.910						
MSRNR/L12-4B	50506	50507	0.750	0.750	4.50	1.250	0.880						
MSRNR/L16-4C	50510	50511	1.000	1.000	5.00	1.250	1.130						
MSRNR/L16-4D	50514	50515	1.000	1.000	6.00	1.250	1.130	432	ISSN-433	NL-46	CL-9	XNS-59	S-46
MSRNR/L20-4D	50518	50519	1.250	1.250	6.00	1.250	1.380						
MSRNR/L85-4D	50522	50523	1.000	1.250	6.00	1.250	1.130						
MSRNR/L16-5C	50526	50527	1.000	1.000	5.00	1.375	1.103	543	ISSN-533	NL-58	CL-12	XNS-510	S-58
MSRNR/L16-5D	50530	50531	1.000	1.000	6.00	1.375	1.103						
MSRNR/L20-5D	50534	50535	1.250	1.250	6.00	1.375	1.353						
MSRNR/L85-5D	50538	50539	1.000	1.250	6.00	1.375	1.103						
MSRNR/L16-6D	50542	50543	1.000	1.000	6.00	1.500	1.071	643	ISSN-633	NL-68	CL-12	XNS-510	S-68
MSRNR/L20-6D	50546	50547	1.250	1.250	6.00	1.500	1.315						
MSRNR/L24-6E	50550	50551	1.500	1.500	7.00	1.500	1.821						
MSRNR/L85-6D	50554	50555	1.000	1.250	6.00	1.500	1.071						

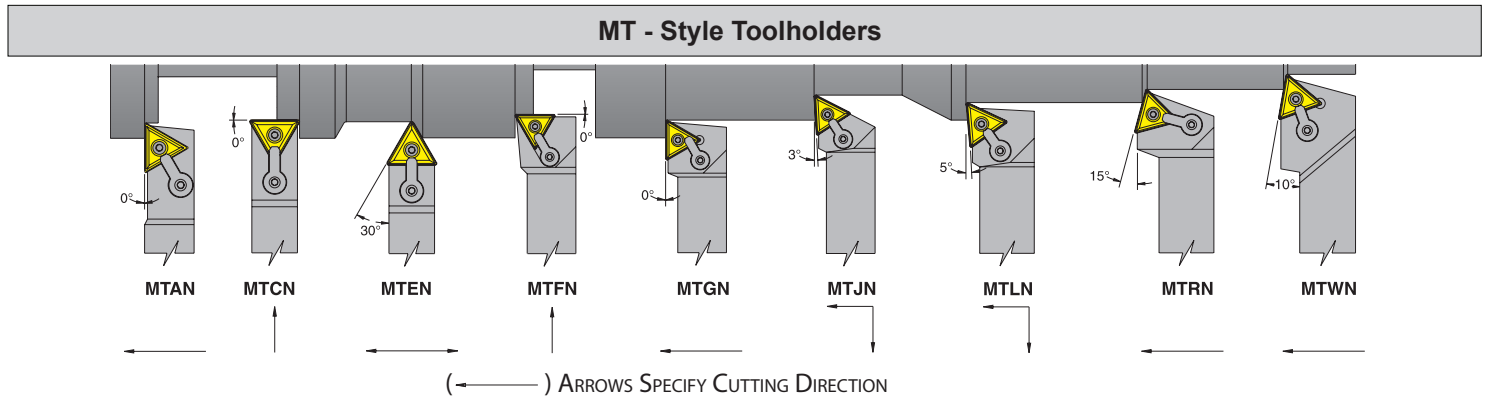
For Turning inserts see pages A-62 - A-91. For spare parts see pages B-91-B-92.

MSSN R/L Toolholder Style S- 45° Side Cutting Edge Angle for negative square SNM_ inserts

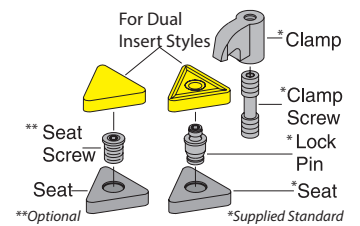
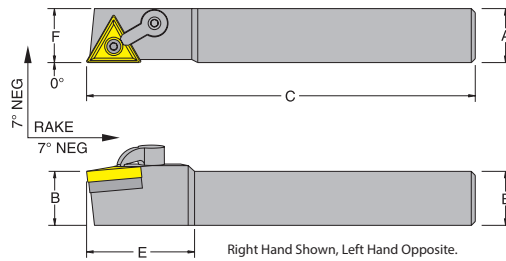
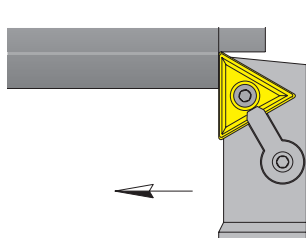


Inch Description	UPC No. 733101-		A	B	C	E	F	SNM_ Gage Insert	Seat	Lock Pin	Clamp	Clamp Screw	Optional Seat Screw
	R.H.	L.H.											
MSSNR/L08-3A	50564	50565	0.500	0.500	4.00	1.000	0.404	322	ISSN-322	NL-34	CL-6	XNS-36	S-34
MSSNR/L08-3B	50568	50569	0.500	0.500	4.50	1.000	0.404						
MSSNR/L12-4B	50572	50573	0.750	0.750	4.50	1.250	0.675						
MSSNR/L16-4D	50580	50581	1.000	1.000	6.00	1.250	0.925	432	ISSN-433	NL-46	CL-9	XNS-59	S-46
MSSNR/L85-4D	50582	50583	1.000	1.250	6.00	1.250	0.925						
MSSNR/L16-5D	50584	-	1.000	1.000	6.00	1.375	0.874						
MSSNR/L20-5D	50588	50589	1.250	1.250	6.00	1.375	1.097	543	ISSN-533	NL-58	CL-9	XNS-510	S-58
MSSNR/L20-5E	50590	-	1.250	1.250	7.00	1.375	1.097						
MSSNR/L20-6D	50592	50593	1.250	1.250	6.00	1.500	1.011						
MSSNR/L24-6E	50596	50597	1.500	1.500	7.00	1.500	1.492	643	ISSN-633	NL-68	CL-12	XNS-510	S-68

For Turning inserts see pages A-62 - A-91. For spare parts see pages B-91-B-92.



MTAN R/L Toolholder Style A- 0° Side Cutting Edge Angle for negative triangle TNM_ inserts

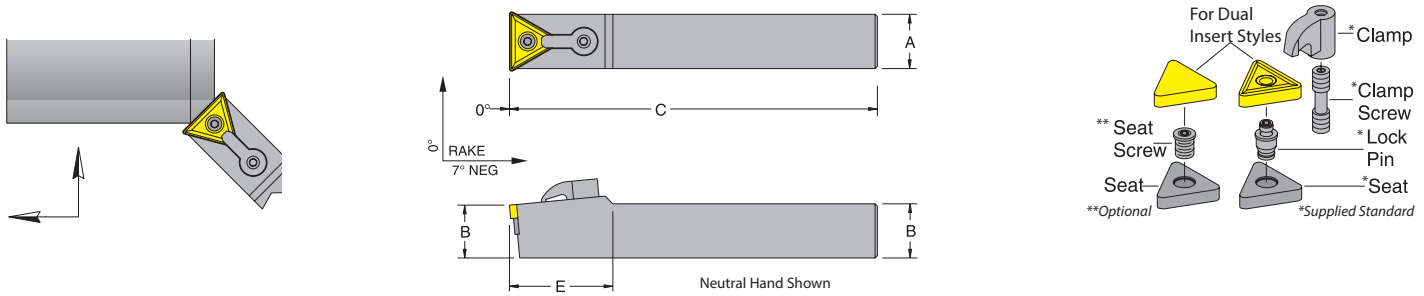


Inch Description	UPC No. 733101-		A	B	C	E	F	TNM_ Gage Insert	Seat	Lock Pin	Clamp	Clamp Screw	Optional Seat Screw
	R.H.	L.H.											
MTANR/L08-2A	50606	50607	0.500	0.500	4.00	0.875	0.500	221	-	NL-23	CL-19	XNS-36	-
MTANR/L10-2B	50610	50611	0.625	0.625	4.50	0.875	0.625						
MTANR/L10-3B	50614	50615	0.625	0.625	4.50	1.000	0.625	322	ITSN-333	NL-34L	CL-6	XNS-36	S-34
MTANR/L12-3B	50618	50619	0.750	0.750	4.50	1.000	0.750						
MTANR/L16-3D	50622	50623	1.000	1.000	6.00	1.000	1.000	332	ITSN-322	NL-34L	CL-6	XNS-36	S-34
MTANR/L64-3D	50626	50627	0.750	1.000	6.00	1.000	0.750						
MTANR/L16-4D	50630	50631	1.000	1.000	6.00	1.375	1.000	432	ITSN-433	NL-46	CL-9	XNS-59	S-46
MTANR/L85-4D	50638	50639	1.000	1.250	6.00	1.375	1.000						
MTANR/L86-4E	50642	50643	1.000	1.500	7.00	1.375	1.000	543	ITSN-533	NL-58	CL-9	XNS-510	S-58
MTANR/L16-5D	50646	50647	1.000	1.000	6.00	1.500	1.000						
MTANR/L20-5D	50650	50651	1.250	1.250	6.00	1.500	1.250						
MTANR/L20-5E	50652	-	1.250	1.250	7.00	1.500	1.250	663	ITSN-636	NL-68L	CL-12	XNS-510	S-68
MTANR/L24-6E	50654	50655	1.500	1.500	7.00	1.750	1.500						

For Turning inserts see pages A-62 - A-91. For spare parts see pages B-91-B-92.

Multi-Lock Toolholders

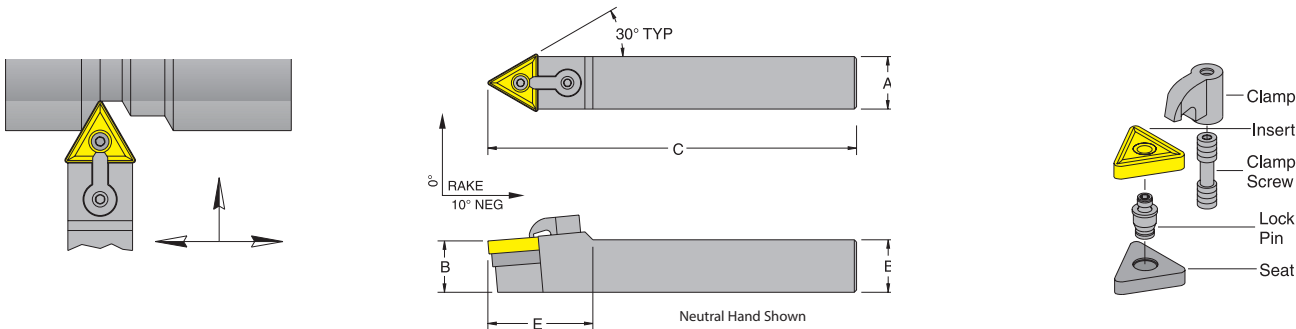
MTCN N Toolholder Style C- 0° End Cutting Edge Angle for negative triangle TNM_ inserts



Inch Description	Part No. 733101-	A	B	C	E	TNM_ Gage Insert	Seat	Lock Pin	Clamp	Clamp Screw	Optional Seat Screw
MTCNN08-3A	50664	0.500	0.500	4.00	1.000	322	ITSN-333	NL-34L	CL-7	XNS-36	S-34
MTCNN08-3B	50666	0.500	0.500	4.50	1.000						
MTCNN44-3D	50668	0.500	1.000	6.00	1.000	332	ITSN-322	NL-34L	CL-7	XNS-36	S-34
MTCNN44-3F	50670	0.500	1.000	8.00	1.000						
MTCNN12-4B	50672	0.750	0.750	4.50	1.375						
MTCNN64-4D	50674	0.750	1.000	6.00	1.375	432	ITSN-433	NL-46	CL-12	XNS-59	S-46
MTCNN64-4F	50676	0.750	1.000	8.00	1.375						
MTCNN66-4E	50678	0.750	1.500	7.00	1.375						
MTCNN66-4F	50680	0.750	1.500	8.00	1.375						

For Turning inserts see pages A-62 - A-91. For spare parts see pages B-91-B-92.

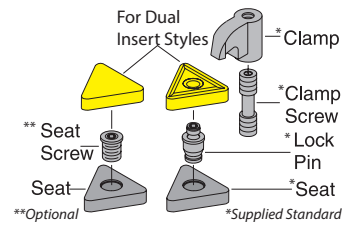
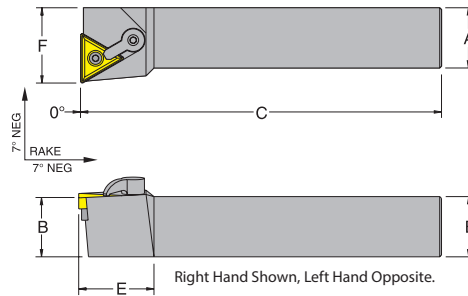
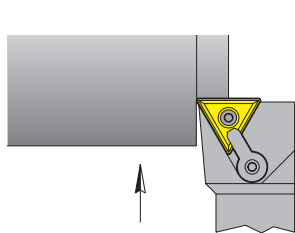
MTEN N Toolholder Style E- 30° Side Cutting Edge Angle for negative triangle TNM_ inserts



Inch Description	Part No. 733101-	A	B	C	E	TNM_ Gage Insert	Seat	Lock Pin	Clamp	Clamp Screw
MTENN08-2A	50690	0.500	0.500	4.00	1.000	221	-	NL-23	CL-6	XNS-36
MTENN10-3B	50692	0.625	0.625	4.50	1.125	322 332	ITSN-333 ITSN-322	NL-34L NL-34L	CL-6 CL-6	XNS-36 XNS-36
MTENN12-3B	50694	0.750	0.750	4.50	1.125					
MTENN64-3D	50696	0.750	1.000	6.00	1.125	432	ITSN-433	NL-46	CL-9	XNS-59
MTENN12-4B	50698	0.750	0.750	4.50	1.500					
MTENN16-4D	50700	1.000	1.000	6.00	1.500					
MTENN85-4D	50702	1.000	1.250	6.00	1.500					
MTENN86-4E	50704	1.000	1.500	7.00	1.500	543	ITSN-533	NL-58	CL-9	XNS-510
MTENN20-5D	50706	1.250	1.250	6.00	1.625					
MTENN20-5E	50708	1.250	1.250	7.00	1.625					
MTENN24-5E	50710	1.500	1.500	7.00	1.625					

For Turning inserts see pages A-62 - A-91. For spare parts see pages B-91-B-92.

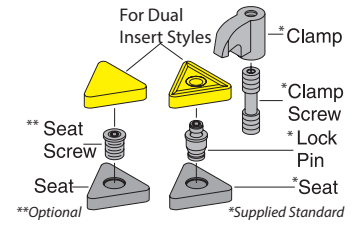
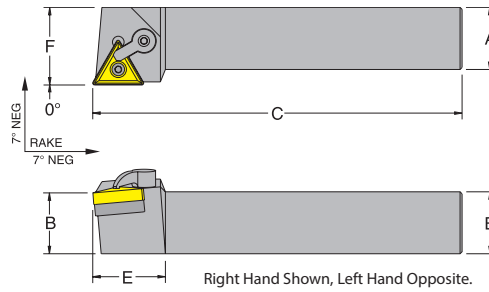
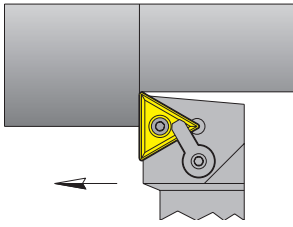
MTFN R/L Toolholder Style F- 0° End Cutting Edge Angle for negative triangle TNM_ inserts



Inch Description	UPC No. 733101-		A	B	C	E	F	TNM_Gage Insert	Seat	Lock Pin	Clamp	Clamp Screw	Optional Seat Screw
	R.H.	L.H.											
MTFNR/L08-2A	50722	50723	0.500	0.500	4.00	0.875	0.750	221	-	NL-23	CL-19	XNS-36	-
MTFNR/L10-2B	50726	50727	0.625	0.625	4.50	0.875	0.875						
MTFNR/L12-2B	50730	50731	0.750	0.750	4.50	0.875	1.000						
MTFNR/L10-3B	50734	50735	0.625	0.625	4.50	1.000	0.875	322	ITSN-333	NL-34L	CL-6	XNS-36	S-34
MTFNR/L12-3B	50738	50739	0.750	0.750	4.50	1.000	1.000						
MTFNR/L16-3C	50742	50743	1.000	1.000	5.00	1.000	1.250	332	ITSN-322	NL-34L	CL-6	XNS-36	S-34
MTFNR/L16-3D	50746	50747	1.000	1.000	6.00	1.000	1.250						
MTFNR/L16-4C	50750	50751	1.000	1.000	5.00	1.250	1.250	432	ITSN-433	NL-46	CL-9	XNS-510	S-46
MTFNR/L16-4D	50754	50755	1.000	1.000	6.00	1.250	1.250						
MTFNR/L20-4D	50758	50759	1.250	1.250	6.00	1.250	1.500						
MTFNR/L24-4E	-	50763	1.500	1.500	7.00	1.250	2.000						
MTFNR/L85-4D	50766	50767	1.000	1.250	6.00	1.250	1.250	543	ITSN-533	NL-58	CL-12	XNS-510	S-58
MTFNR/L16-5D	50774	50775	1.000	1.000	6.00	1.375	1.250						
MTFNR/L20-5D	50778	50779	1.250	1.250	6.00	1.375	1.500						
MTFNR/L24-5E	50782	-	1.500	1.500	7.00	1.375	2.000						
MTFNR/L85-5D	50786	-	1.000	1.250	6.00	1.375	1.250						
MTFNR/L86-5E	50790	50791	1.000	1.500	7.00	1.375	1.250	663	ITSN-636	NL-68L	CL-12	XNS-510	S-68
MTFNR/L24-6E	50792	50793	1.500	1.500	7.00	1.500	2.000						

For Turning inserts see pages A-62 - A-91. For spare parts see pages B-91-B-92.

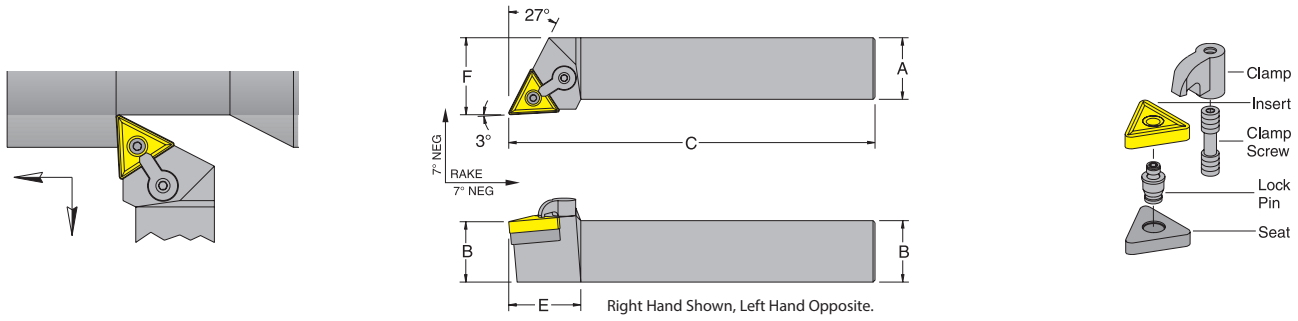
MTGN R/L Toolholder Style G- 0° Side Cutting Edge Angle for negative triangle TNM_ inserts



Inch Description	UPC No. 733101-		A	B	C	E	F	TNM_	Seat	Lock Pin	Clamp	Clamp Screw	Optional Seat Screw
	R.H.	L.H.						Gage Insert					
MTGNR/L08-2A	50802	50803	0.500	0.500	4.00	0.875	0.625	221	-	NL-23	CL-19	XNS-36	-
MTGNR/L10-2B	50806	50807	0.625	0.625	4.50	0.875	0.750	322	ITSN-333	NL-34L	CL-6	XNS-36	S-34
MTGNR/L10-3B	50810	50811	0.625	0.625	4.50	1.000							
MTGNR/L12-3B	50814	50815	0.750	0.750	4.50	1.000							
MTGNR/L16-3C	50818	50819	1.000	1.000	5.00	1.000							
MTGNR/L16-3D	50822	50823	1.000	1.000	6.00	1.000	1.250	332	ITSN-322	NL-34L	CL-6	XNS-36	S-34
MTGNR/L16-4C	50826	50827	1.000	1.000	5.00	1.375							
MTGNR/L16-4D	50830	50831	1.000	1.000	6.00	1.375	1.250	432	ITSN-433	NL-46	CL-9	XNS-510	S-46
MTGNR/L20-4D	50834	50835	1.250	1.250	6.00	1.375							
MTGNR/L24-4D	50836	50837	1.500	1.500	6.00	1.375							
MTGNR/L24-4E	50838	50839	1.500	1.500	7.00	1.375							
MTGNR/L85-4D	50842	50843	1.000	1.250	6.00	1.375							
MTGNR/L86-4E	50846	-	1.000	1.500	7.00	1.375							
MTGNR/L16-5C	50850	50851	1.000	1.000	5.00	1.500	1.250	543	ITSN-533	NL-58	CL-9	XNS-510	S-58
MTGNR/L16-5D	50854	50855	1.000	1.000	6.00	1.500							
MTGNR/L20-5D	50858	50859	1.250	1.250	6.00	1.500							
MTGNR/L24-5E	50862	50863	1.500	1.500	7.00	1.500							
MTGNR/L85-5D	50866	50867	1.000	1.250	6.00	1.500							
MTGNR/L24-6E	50872	50873	1.500	1.500	7.00	1.750							
MTGNR/L24-6E	50872	50873	1.500	1.500	7.00	1.750	2.000	663	ITSN-636	NL-68L	CL-12	XNS-510	S-68

For Turning inserts see pages A-62 - A-91. For spare parts see pages B-91-B-92.

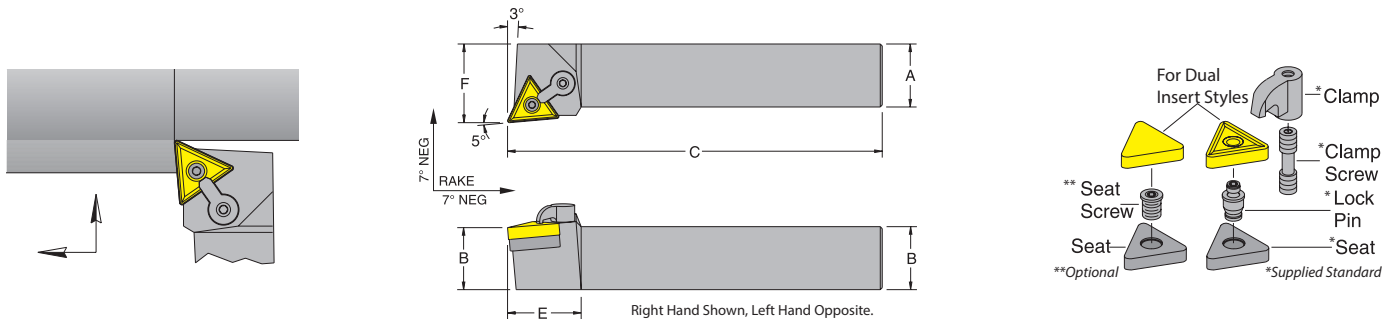
MTJN R/L Toolholder Style J- 3° Side Cutting Edge Angle for negative triangle TNM_ inserts



Inch Description	UPC No. 733101-		A	B	C	E	F	TNM_Gage Insert	Seat	Lock Pin	Clamp	Clamp Screw
	R.H.	L.H.										
MTJNR/L08-2A	50882	50883	0.500	0.500	4.00	1.000	0.625	221	-	NL-23	CL-19	XNS-36
MTJNR/L10-2B	50886	50887	0.625	0.625	4.50	1.000	0.750					
MTJNR/L10-3B	50890	50891	0.625	0.625	4.50	1.000	0.875					
MTJNR/L12-3B	50894	50895	0.750	0.750	4.50	1.000	1.000	322 332	ITSN-333 ITSN-322	NL-34L NL-34L	CL-6 CL-6	XNS-36 XNS-36
MTJNR/L16-3D	50898	50899	1.000	1.000	6.00	1.000	1.250					
MTJNR/L16-4D	50902	50903	1.000	1.000	6.00	1.250	1.250	432	ITSN-433	NL-46	CL-9	XNS-510
MTJNR/L20-4D	50906	50907	1.250	1.250	6.00	1.250	1.500					
MTJNR/L20-4E	50908	50909	1.250	1.250	7.00	1.250	1.500					
MTJNR/L85-4D	50910	-	1.000	1.250	6.00	1.250	1.250					
MTJNR/L16-5D	50914	50915	1.000	1.000	6.00	1.500	1.250					
MTJNR/L20-5D	50918	50919	1.250	1.250	6.00	1.500	1.500					
MTJNR/L24-5E	50922	50923	1.500	1.500	7.00	1.500	2.000	543	ITSN-533	NL-58	CL-9	XNS-510
MTJNR/L85-5D	50926	50927	1.000	1.250	6.00	1.500	1.250					
MTJNR/L86-5E	50930	50931	1.000	1.500	7.00	1.500	1.250					
MTJNR/L24-6E	50934	50935	1.500	1.500	7.00	1.625	2.000					
								663	ITSN-636	NL-68L	CL-12	XNS-510

For Turning inserts see pages A-62 - A-91. For spare parts see pages B-91-B-92.

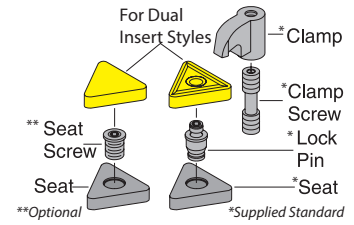
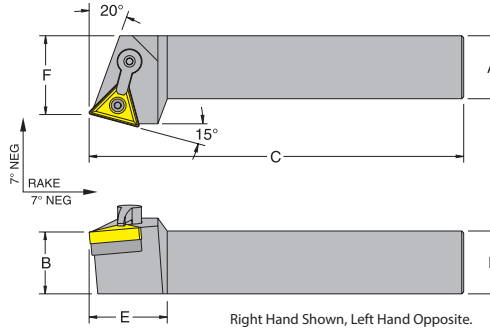
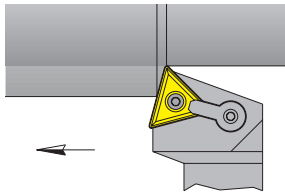
MTLN R/L Toolholder Style L- Negative 5° Side Cutting Edge Angle for negative triangle TNM_ inserts



Inch Description	UPC No. 733101-		A	B	C	E	F	TNM_Gage Insert	Seat	Lock Pin	Clamp	Clamp Screw	Optional Seat Screw
	R.H.	L.H.											
MTLNR/L16-4D	50942	50943	1.000	1.000	6.00	1.375	1.250	432	ITSN-433	NL-46	CL-9	XNS-510	S-46
MTLNR/L20-4D	50946	50947	1.250	1.250	6.00	1.375	1.500						
MTLNR/L20-5D	-	50951	1.250	1.250	6.00	1.500	1.500	543	ITSN-533	NL58	CL-9	XNS-510	S-58

For Turning inserts see pages A-62 - A-91. For spare parts see pages B-91-B-92.

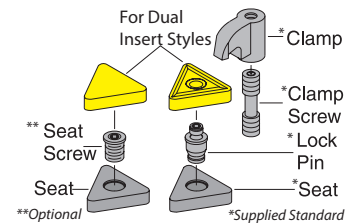
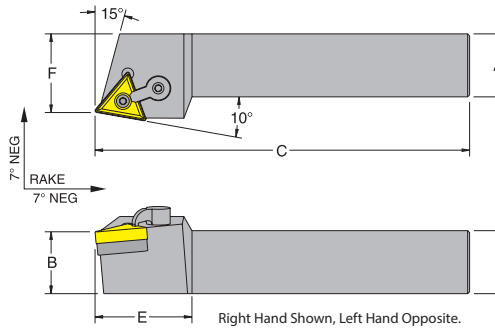
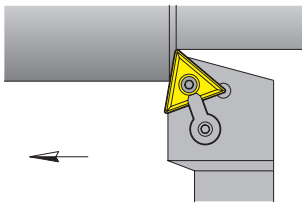
MTRN R/L Toolholder Style R - 15° Side Cutting Edge Angle for negative triangle TNM_ inserts



Inch Description	UPC No. 733101-		A	B	C	E	F	TNM_	Seat	Lock Pin	Clamp	Clamp Screw	Optional Seat Screw
	R.H.	L.H.						Gage Insert					
MTRNR/L08-2A	50960	50961	0.500	0.500	4.00	0.875	0.651	221	-	NL-23	CL-19	XNS-36	-
MTRNR/L10-2B	50964	50965	0.625	0.625	4.50	0.875	0.776						
MTRNR/L12-3B	50972	50973	0.750	0.750	4.50	1.250	0.855	322	ITSN-333	NL-34L	CL-20	XNS-47	S-34
MTRNR/L16-3D	50976	50977	1.000	1.000	6.00	1.250	1.105	332	ITSN-322	NL-34L	CL-20	XNS-47	
MTRNR/L16-4D	50980	50981	1.000	1.000	6.00	1.375	1.048						
MTRNR/L20-4D	50984	50985	1.250	1.250	6.00	1.375	1.298	432	ITSN-433	NL-46	CL-9	XNS-510	S-46
MTRNR/L85-4D	50988	50989	1.000	1.250	6.00	1.375	1.048						
MTRNR/L16-5D	50992	50993	1.000	1.000	6.00	1.500	1.002						
MTRNR/L20-5D	50996	50997	1.250	1.250	6.00	1.500	1.252	543	ITSN-533	NL-58	CL-9	XNS-510	S-58
MTRNR/L24-6E	51012	51013	1.500	1.500	7.00	1.750	1.697	663	ITSN-636	NL-68L	CL-12	XNS-510	S-68

For Turning inserts see pages A-62 - A-91. For spare parts see pages B-91-B-92.

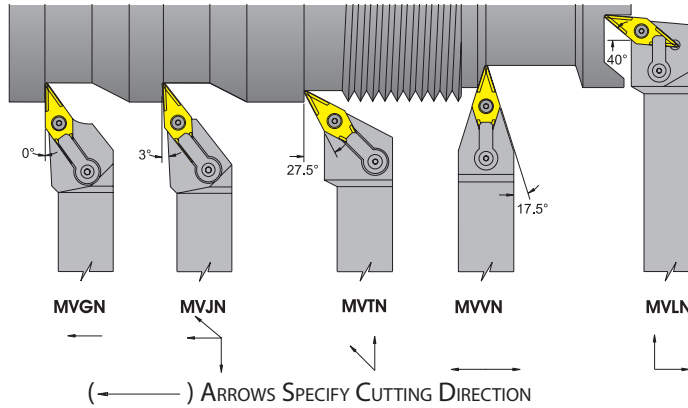
MTWN R/L Toolholder Style W - 10° Side Cutting Edge Angle for negative triangle TNM_ inserts



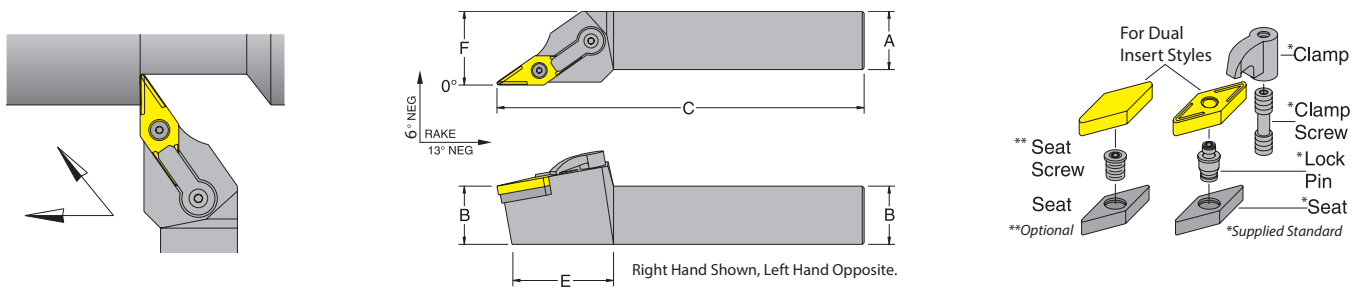
Inch Description	UPC No. 733101-		A	B	C	E	F	TNM_	Seat	Lock Pin	Clamp	Clamp Screw	Optional Seat Screw
	R.H.	L.H.						Gage Insert					
MTWNR/L12-3B	51022	51023	0.750	0.750	4.50	1.375	0.880	322	ITSN-333	NL-34L	CL-6	XNS-36	S-34
MTWNR/L16-4D	51026	51027	1.000	1.000	6.00	1.500	1.098	332	ITSN-322	NL-34L	CL-6	XNS-36	
MTWNR/L20-4D	51030	51031	1.250	1.250	6.00	1.500	1.317	432	ITSN-433	NL-46	CL-9	XNS-510	S-46

For Turning inserts see pages A-62 - A-91. For spare parts see pages B-91-B-92.

MV - Style Toolholders



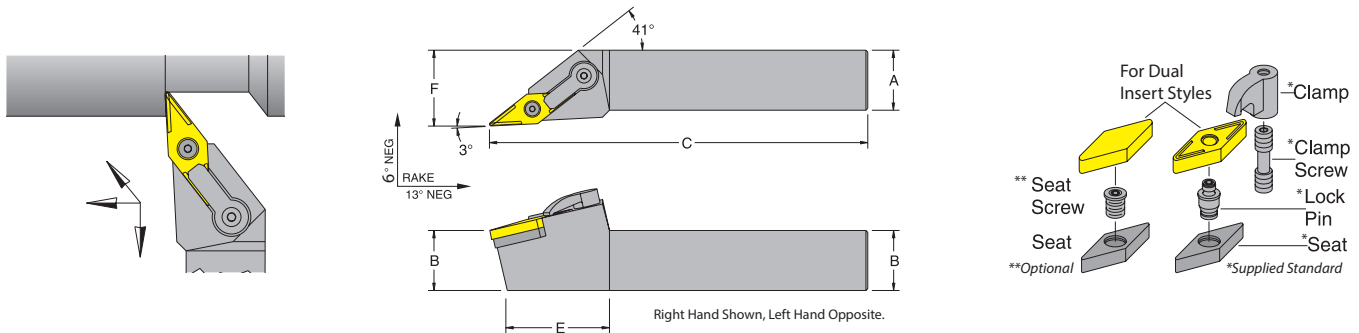
MVGN R/L Toolholder Style G- 0° Side Cutting Edge Angle for negative 35° diamond VNM_ inserts



Inch Description	UPC No. 733101-		A	B	C	E	F	VNM_ Gage Insert	Seat	Lock Pin	Clamp	Clamp Screw	Optional Seat Screw
	R.H.	L.H.											
MVGNR/L12-3B	51044	51045	0.75	0.75	4.50	1.750	1.00	332	IVSN-322	NL-34L	CL-30	XNS-510	S-34
MVGNR/L16-3D	-	51049	1.00	1.00	6.00	1.750	1.25						
MVGNR/L16-4D	51052	-	1.00	1.00	6.00	2.125	1.25						

For Turning inserts see pages A-62 - A-91. For spare parts see pages B-91-B-92.

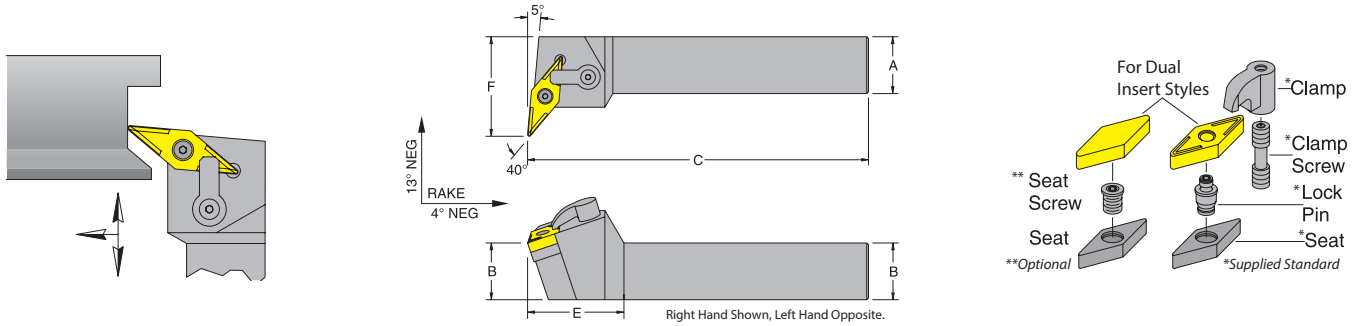
MVJN R/L Toolholder Style J- Negative 3° Side Cutting Edge Angle for negative 35° diamond VNM_ inserts



Inch Description	UPC No. 733101-		A	B	C	E	F	VNM_ Gage Insert	Seat	Lock Pin	Clamp	Clamp Screw	Optional Seat Screw
	R.H.	L.H.											
MVJNR/L12-3B	51062	51063	0.75	0.75	4.50	1.750	1.00	332	IVSN-322	NL-34L	CL-30	XNS-510	S-34
MVJNR/L16-3C	51066	51067	1.00	1.00	5.00	1.750	1.25						
MVJNR/L16-3D	51070	51071	1.00	1.00	6.00	1.750	1.25						
MVJNR/L20-3D	51074	51075	1.25	1.25	6.00	1.750	1.50						
MVJNR/L24-3E	51078	51079	1.50	1.50	7.00	2.000	2.00						
MVJNR/L12-4B	51082	51083	0.75	0.75	4.50	2.125	1.00						
MVJNR/L16-4C	51086	51087	1.00	1.00	5.00	2.125	1.25	432	IVSN-433	NL-46	CL-30	XNS-510	S-46
MVJNR/L16-4D	51090	51091	1.00	1.00	6.00	2.125	1.25						
MVJNR/L20-4D	51094	51095	1.25	1.25	6.00	2.125	1.50						
MVJNR/L24-4E	51098	51099	1.50	1.50	7.00	2.125	2.00						

For Turning inserts see pages A-62 - A-91. For spare parts see pages B-91-B-92.

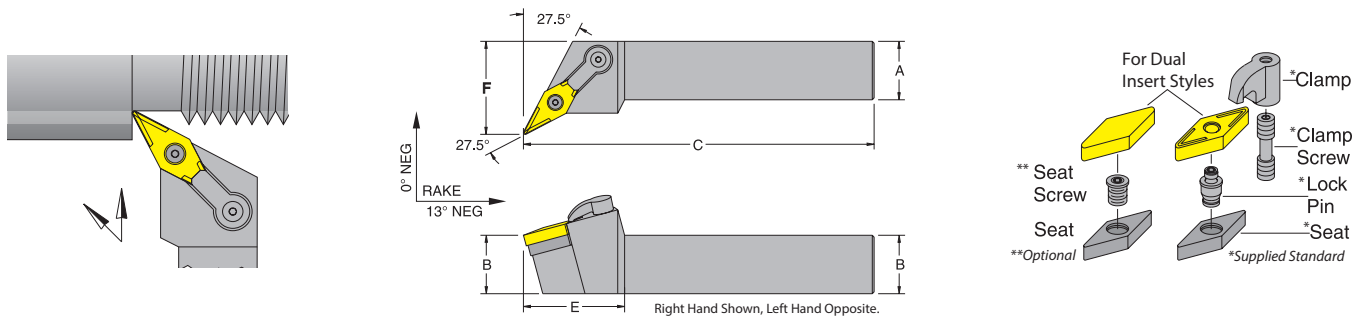
MVLN R/L Toolholder Style L- Negative 5° End Cutting Edge Angle for negative 35° diamond VNM_ inserts



Inch Description	UPC No. 733101-		A	B	C	E	F	VNM_ Gage Insert	Seat	Lock Pin	Clamp	Clamp Screw	Optional Seat Screw
	R.H.	L.H.											
MVLNR/L16-4C	51108	51109	1.00	1.00	5.00	1.50	1.75	432	IVSN-433	NL-46	CL-30	XNS-510	S-46
MVLNR/L16-4D	51112	51113	1.00	1.00	6.00	1.50	1.75						
MVLNR/L20-4D	51116	51117	1.25	1.25	6.00	1.50	2.00						
MVLNR/L24-4D	-	51121	1.50	1.50	6.00	1.50	2.25						
MVLNR/L24-4E	51124	51125	1.50	1.50	7.00	1.50	2.25						

For Turning inserts see pages A-62 - A-91. For spare parts see pages B-91-B-92.

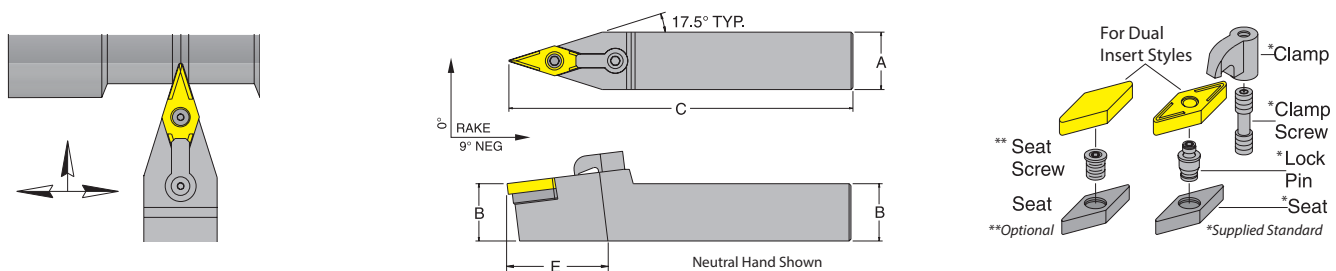
MVTN R/L Toolholder Style N- Negative 27.5° End Cutting Edge Angle for negative 35° diamond VNM_ inserts



Inch Description	UPC No. 733101-		A	B	C	E	F	VNM_ Gage Insert	Seat	Lock Pin	Clamp	Clamp Screw	Optional Seat Screw
	R.H.	L.H.											
MVTNR/L12-3B	51134	51135	0.75	0.75	4.50	1.625	1.00	332	IVSN-322	NL-34L	CL-30	XNS-510	S-34
MVTNR/L16-3C	51138	51139	1.00	1.00	5.00	1.625	1.25						
MVTNR/L16-3D	51142	51143	1.00	1.00	6.00	1.625	1.25						
MVTNR/L20-3D	51146	51147	1.25	1.25	6.00	1.625	1.50						
MVTNR/L24-3E	51150	-	1.50	1.50	7.00	1.625	1.75						

For Turning inserts see pages A-62 - A-91. For spare parts see pages B-91-B-92.

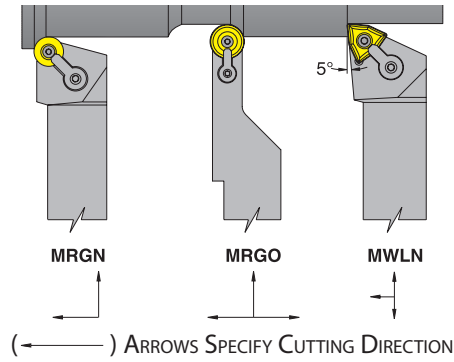
MVVN N Toolholder Style V- 17.5° Side Cutting Edge Angle for negative 35° diamond VNM_ inserts



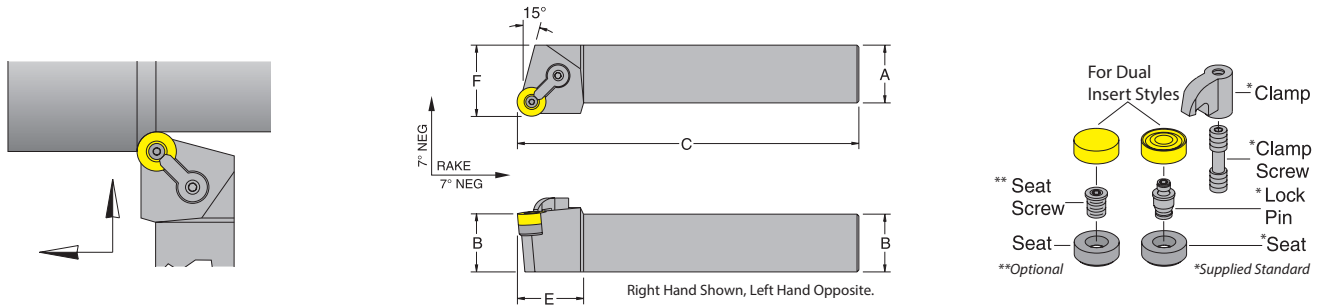
Inch Description	UPC No. 733101-	A	B	C	E	VNM_ Gage Insert	Seat	Lock Pin	Clamp	Clamp Screw	Optional Seat Screw
MVVNN16-3C	51162	1.00	1.00	5.00	1.75						
MVVNN16-3D	51164	1.00	1.00	6.00	1.75						
MVVNN16-4C	51166	1.00	1.00	5.00	2.25	432	IVSN-433	NL-46	CL-30	XNS-510	S-46
MVVNN16-4D	51168	1.00	1.00	6.00	2.25						

For Turning inserts see pages A-62 - A-91. For spare parts see pages B-91-B-92.

MR & MW - Style Toolholders



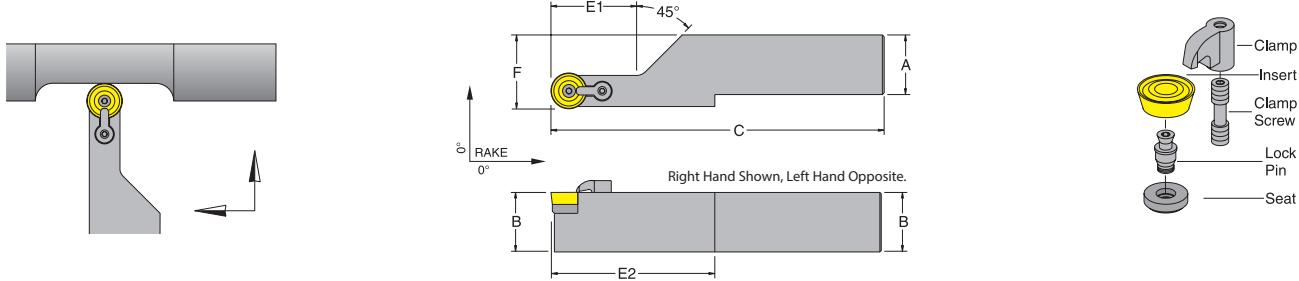
MRGN R/L Toolholder Style G- 0° Side Cutting Edge Angle for negative round RNM_ inserts



Inch Description	UPC No. 733101-		A	B	C	E	F	RNM_ Gage Insert	Seat	Lock Pin	Clamp	Clamp Screw	Optional Seat Screw
	R.H.	L.H.											
MRGNR/L08-3A	51178	51179	0.500	0.500	4.00	0.875	0.750	32	IRSN-32	NL-34	CL-6	XNS-36	S-34
MRGNR/L10-3B	51182	51183	0.625	0.625	4.50	0.875	0.875						
MRGNR/L12-3B	51186	51187	0.750	0.750	4.50	0.875	1.000						
MRGNR/L16-3D	51190	51191	1.000	1.000	6.00	0.875	1.250						
MRGNR/L10-4B	51194	51195	0.625	0.625	4.50	1.250	0.875	43	-	NL-44	CL-9	XNS-58	-
MRGNR/L12-4B	51198	51199	0.750	0.750	4.50	1.250	1.000						
MRGNR/L16-4C	51202	51203	1.000	1.000	5.00	1.250	1.250	43	IRSN-43	NL-46	CL-9	XNS-59	S-46
MRGNR/L16-4D	51206	51207	1.000	1.000	6.00	1.250	1.250						
MRGNR/L20-4D	51210	51211	1.250	1.250	6.00	1.250	1.500						
MRGNR/L24-4E	51214	51215	1.500	1.500	7.00	1.250	2.000						
MRGNR/L85-4D	51218	51219	1.000	1.250	6.00	1.250	1.250						
MRGNR/L86-4E	-	51223	1.000	1.500	7.00	1.250	1.250						
MRGNR/L16-5D	51226	51227	1.000	1.000	6.00	1.250	1.250	54	IRSN-53	NL-58	CL-9	XNS-58	S-58
MRGNR/L20-6D	51230	51231	1.250	1.250	6.00	1.375	1.500						
MRGNR/L24-6E	51234	51235	1.500	1.500	7.00	1.375	2.000	64	IRSN-63	NL-68	CL-12	XNS-58	S-68

For Turning inserts see pages A-62 - A-91. For spare parts see pages B-91-B-92.

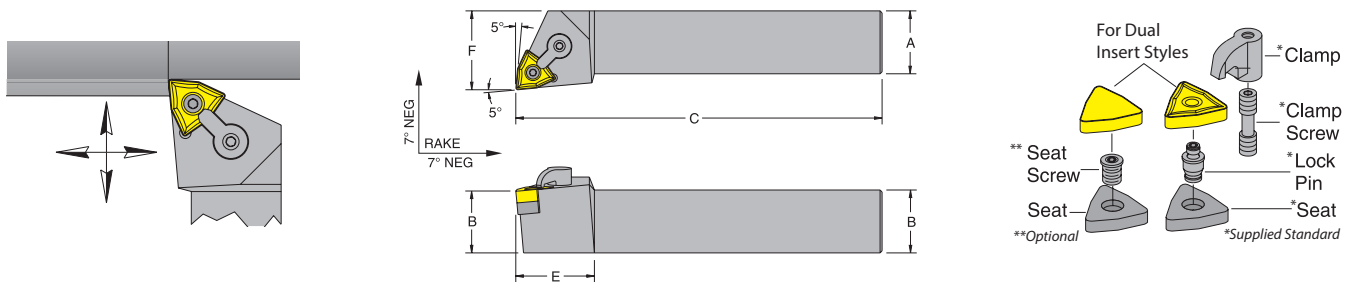
MRGO R/L Toolholder Style G- Profiling, Plunging, and Turning for positive round RCM_ inserts



Inch Description	UPC No. 733101-		A	B	C	E1	E2	F	RCM_ Gage Insert	Seat	Lock Pin	Clamp	Clamp Screw
	R.H.	L.H.											
MRGOR/L85-4D	51244	51245	1.000	1.250	6.00	1.040	2.360	1.250	43	RS-43P	PL-46	CL-6	XNS-37
MRGOR/L20-6E	51248	51249	1.250	1.250	7.00	1.800	3.500	1.500	64	RS-63P	PL-68	CL-9	XNS-58
MRGOR/L24-8E	51252	51253	1.250	1.500	7.00	2.050	3.880	2.000	84	RS-83P	PL-68	CL-12	XNS-510

For Turning inserts see pages A-62 - A-91. For spare parts see pages B-91-B-92.

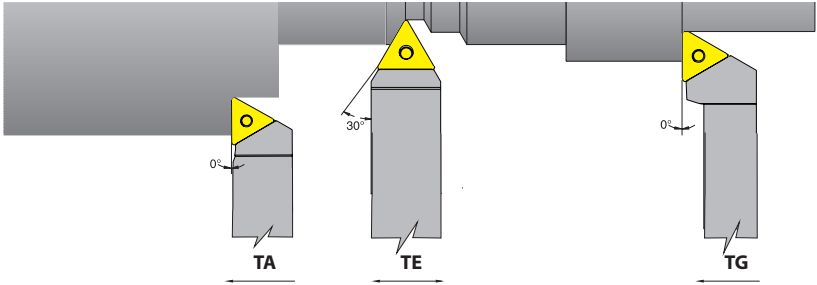
MWLN R/L Toolholder Style L- Negative 5° End or Side Cutting Edge Angle for negative 80° trigon WNM_ inserts



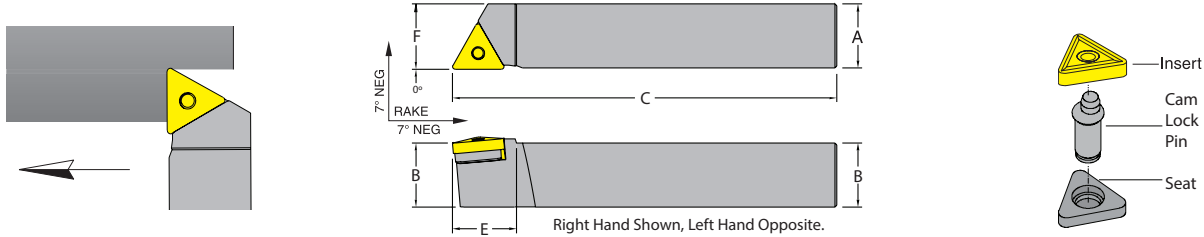
Inch Description	UPC No. 733101-		A	B	C	E	F	WNM_ Gage Insert	Seat	Lock Pin	Clamp	Clamp Screw	Optional Seat Screw
	R.H.	L.H.											
MWLN R/L12-3B	51262	51263	0.75	0.75	4.50	1.00	1.00	332	IWSN-322	NL-34L	CL-6	XNS-36	S-34
MWLN R/L16-3C	51264	51265	1.00	1.00	5.00	1.00							
MWLN R/L12-4B	51266	51267	0.75	0.75	4.50	1.25							
MWLN R/L12-4D	51268	-	0.75	0.75	6.00	1.25							
MWLN R/L16-4C	51280	51281	1.00	1.00	5.00	1.25							
MWLN R/L16-4D	51270	51271	1.00	1.00	6.00	1.25	432	IWSN-433	NL-46	CL-9	XNS-59	S-46	
MWLN R/L20-4D	51274	51275	1.25	1.25	6.00	1.25							
MWLN R/L20-4E	54276	51277	1.25	1.25	7.00	1.25							
MWLN R/L85-4E	51296	51297	1.00	1.25	7.00	1.25	543	IWSN-533	NL-58	CL-9	XNS-59	S-46	
MWLN R/L16-5D	51282	51283	1.00	1.00	6.00	1.25							
MWLN R/L20-5D	51286	-	1.25	1.25	6.00	1.37							

For Turning inserts see pages A-62 - A-91. For spare parts see pages B-91-B-92.

Cam-Lock - Style Toolholders



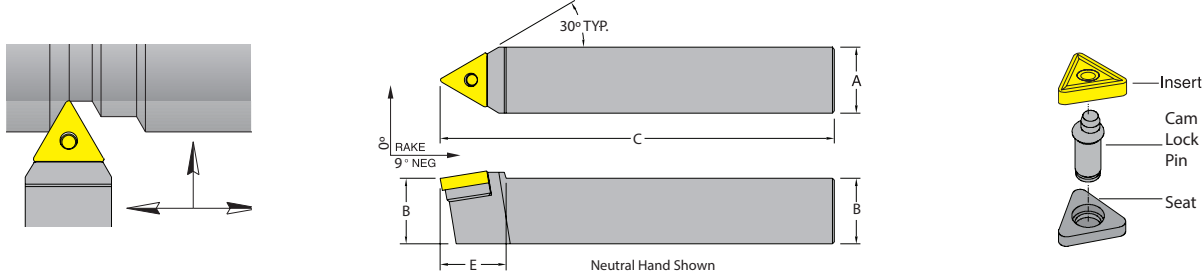
TA R/L Toolholder Style A- 0° Side Cutting Edge Angle for negative triangle TNM_ inserts



Inch Description	UPC No. 733101-		A	B	C	E	F	TNM_ Gage Insert	Cam-Lock Pin	Seat
	R.H.	L.H.								
TAR/L08-2B	54401	54402	0.500	0.500	4.500	-	0.516	221	CLP-14	-
TAR/L10-3B	54407	54408	0.625	0.625	4.500	0.750	0.641	322	CLP-25	TSN-324
TAR/L12-3B	54411	54412	0.750	0.750	4.500	0.750	0.766			
TAR/L16-4D	54417	54418	1.000	1.000	6.000	1.000	1.016	432	CLP-38	TSN-435

For Turning inserts see pages A-62 - A-91. For spare parts see pages B-91-B-92.

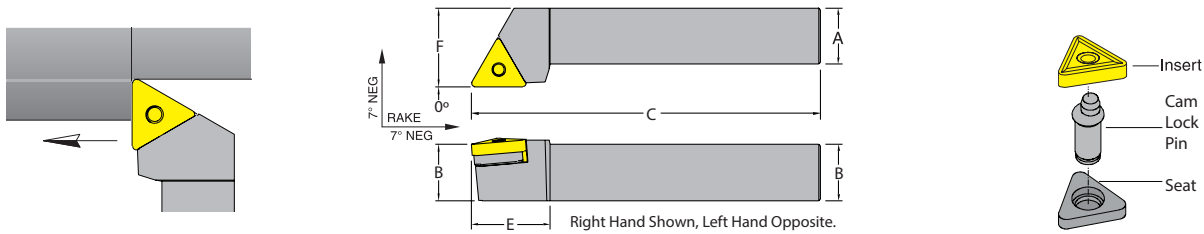
TE N Toolholder Style E- 30° Side Cutting Edge Angle for negative triangle TNM_ inserts



Inch Description	UPC No. 733101-		A	B	C	E	F	TNM_ Gage Insert	Cam-Lock Pin	Seat
	Neutral									
TE08-2B	54423		0.500	0.500	4.500	-	-	221	CLP-14	-
TE10-3B	54428		0.625	0.625	4.500	0.750	-	322	CLP-25	TSN-324
TE12-3B	54431		0.750	0.750	4.500	0.750	-			
TE16-4D	54436		1.000	1.000	6.000	1.000	-	432	CLP-38	TSN-435

For Turning inserts see pages A-62 - A-91. For spare parts see pages B-91-B-92.

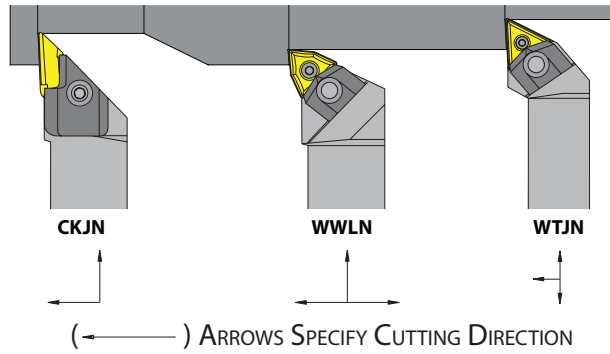
TG R/L Toolholder Style G- 0° Side Cutting Edge Angle for negative triangle TNM_ inserts



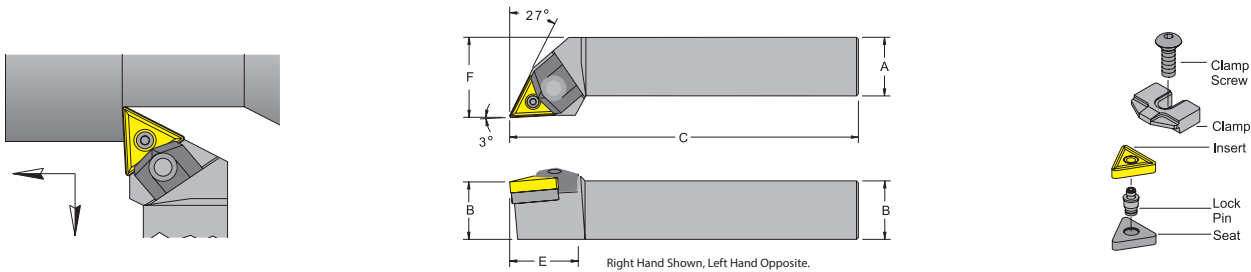
Inch Description	UPC No. 733101-		A	B	C	E	F	TNM_ Gage Insert	Cam-Lock Pin	Seat
	R.H.	L.H.								
TGR/L08-2B	54441	54442	0.500	0.500	4.50	0.688	0.750	221	CLP-14	-
TGR/L10-3B	54447	54448	0.625	0.625	4.50	0.875	0.875	322	CLP-25	TSN-324
TGR/L12-3B	54451	54452	0.750	0.750	4.50	0.875	1.000			
TGR/L16-4D	54457	54458	1.000	1.000	6.00	1.125	1.250	432	CLP-38	TSN-435

For Turning inserts see pages A-62 - A-91. For spare parts see pages B-91-B-92.

WT, WW & CK - Style Toolholders



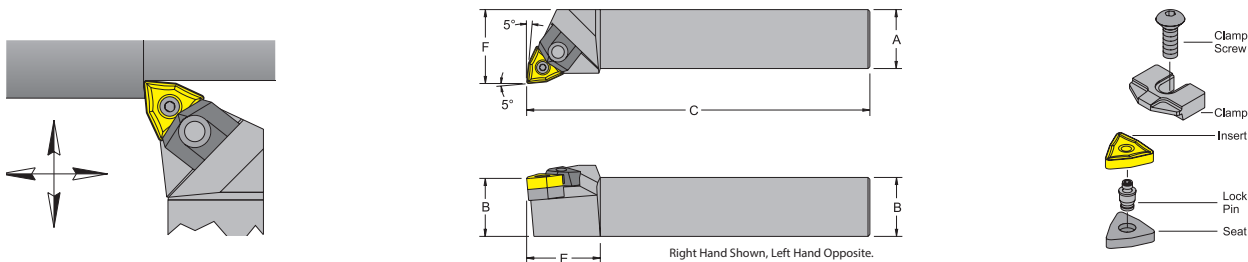
WTJN R/L Toolholder Style J- 3° Side Cutting Edge Angle for negative triangle TNM_ inserts



Inch Description	UPC No. 733101-		A	B	C	E	F	TNM_ Gage Insert	Seat	Lock Pin	Clamp	Clamp Screw	Optional Seat Screw
	R.H.	L.H.											
WTJNR/L12-3C	51623	-	0.75	0.75	5.0	1.00	1.000	332	S6016P	P0502	C6016N	V6016	V83006
WTJNR/L16-3D	-	51629	1.00	1.00	6.0	1.00	1.250						

For Turning inserts see pages A-62 - A-91. For spare parts see pages B-91-B-92.

WWLN R/L Toolholder Style L- 5° End or Side Cutting Edge Angle for negative 80° trigon WNM_ inserts

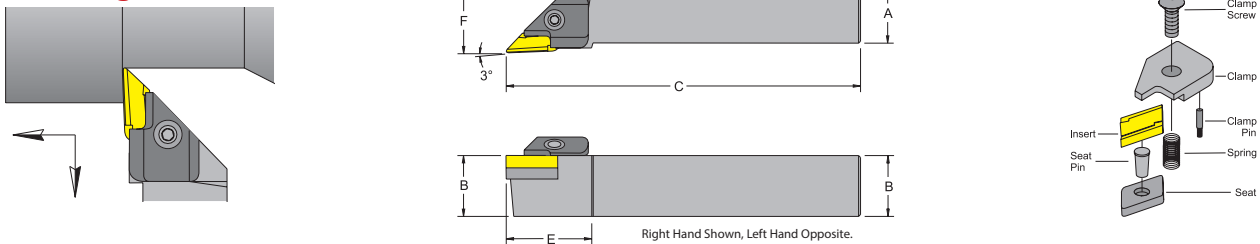


Inch Description	UPC No. 733101-		A	B	C	E	F	WNM_ Gage Insert	Seat	Lock Pin	Clamp	Clamp Screw
	R.H.	L.H.										
WWLNR/L16-4D	51637	51638	1.00	1.00	6.0	1.00	1.250	432	S8008P	P060Z	C8008N	V8008N

For Turning inserts see pages A-62 - A-91. For spare parts see pages B-91-B-92.

CKJNR Toolholder Style J- 3° Side Cutting Edge Angle for negative KNUX inserts

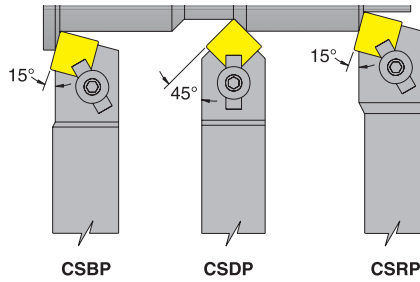
Profiling Toolholder



Inch Description	UPC No. 733101-		A	B	C	E	F	KNUX Gage Insert	Seat	Seat Pin	Clamp	Clamp Screw	Clamp Pin	Spring	Wrench
	R.H.	L.H.													
CKJNR12-5C	51592	-	0.75	0.75	5.0	1.34	1.000	160405	CKN16R	5311	SKN16R	V0616	SC510	M428	CBR40
CKJNR16-5D	51594	-	1.00	1.00	6.0	1.34	1.250								
CKJNR20-5E	51596	-	1.25	1.25	7.0	1.34	1.500								

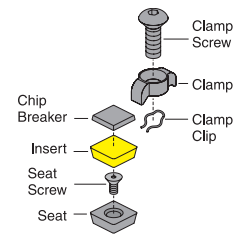
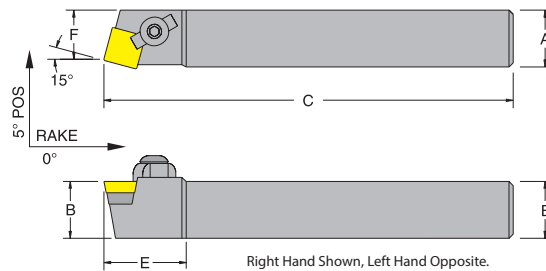
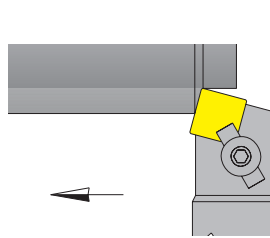
For Turning inserts see pages A-62 - A-91. For spare parts see pages B-91-B-92.

CS - Style Toolholders



(←) ARROWS SPECIFY CUTTING DIRECTION

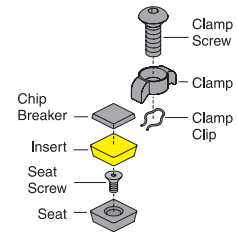
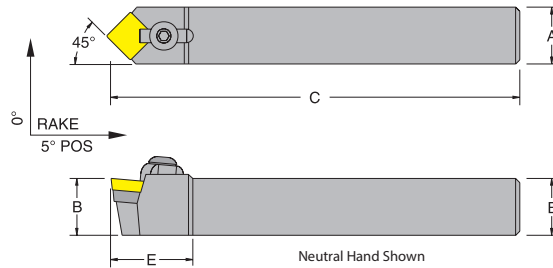
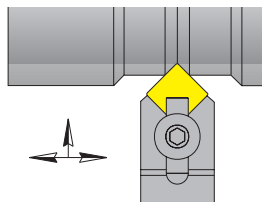
CSBP R/L Toolholder Style B- 15° Side Cutting Edge Angle for 11° positive square SPG inserts



Inch Description	UPC No. 733101-		A	B	C	E	F	SPG Gage Insert	Seat	Seat Screw	Clamp	Clamp Clip	Clamp Screw	Optional Chip Breaker
	R.H.	L.H.												
CSBPR/L10-3B	51300	51301	0.625	0.625	4.50	1.00	0.531	322	-	-	HC-9	CLP-9	CS-96	S3BC
CSBPR/L12-3B	51304	-	0.750	0.750	4.50	1.00	0.658							
CSBPR/L12-4B	51308	51309	0.750	0.750	4.50	1.25	0.627	422	SM-40	TS-4	HC-12	CLP-12	CS-126	S4BE
CSBPR/L16-4D	51312	51313	1.000	1.000	6.00	1.25	0.877							
CSBPR/L20-6D	51320	51321	1.250	1.250	6.00	1.50	1.065	633	SM-36	TS-6	HC-12	CLP-12	CS-126	S6BG

For Turning inserts see pages A-62 - A-91. For spare parts see pages B-91-B-92.

CSDP N Toolholder Style D- 45° Side Cutting Edge Angle for 11° positive square SPG inserts

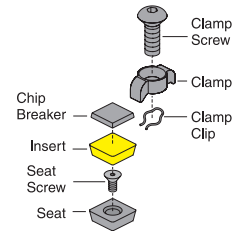
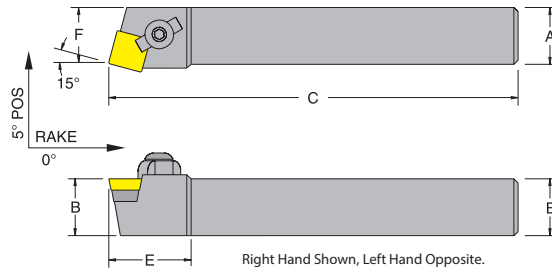
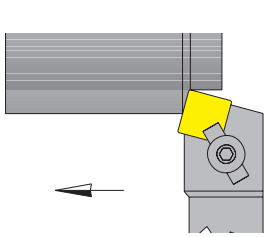


Inch Description	UPC No. 733101-		A	B	C	E	SPG Gage Insert	Seat	Seat Screw	Clamp	Clamp Clip	Clamp Screw	Optional Chip Breaker
	Neutral												
CSDPN08-3J	51330		0.500	0.500	3.50	1.000	322	-	-	HC-9	CLP-9	CS-96	S3BC
CSDPN10-3B	51332		0.625	0.625	4.50	1.000							
CSDPN12-3B	51334		0.750	0.750	4.50	1.000	422	SM-40	TS-4	HC-12	CLP-12	CS-126	S4BE
CSDPN12-4B	51336		0.750	0.750	4.50	1.375							
CSDPN16-4D	51338		1.000	1.000	6.00	1.375	633	SM-36	TS-6	HC-12	CLP-12	CS-126	S6BG
CSDPN16-6D	51346		1.000	1.000	6.00	1.625							
CSDPN85-6D	51348		1.000	1.250	6.00	1.625							
CSDPN86-6E	51350		1.000	1.500	7.00	1.625							

For Turning inserts see pages A-62 - A-91. For spare parts see pages B-91-B-92.

Clamp-Lock Toolholders

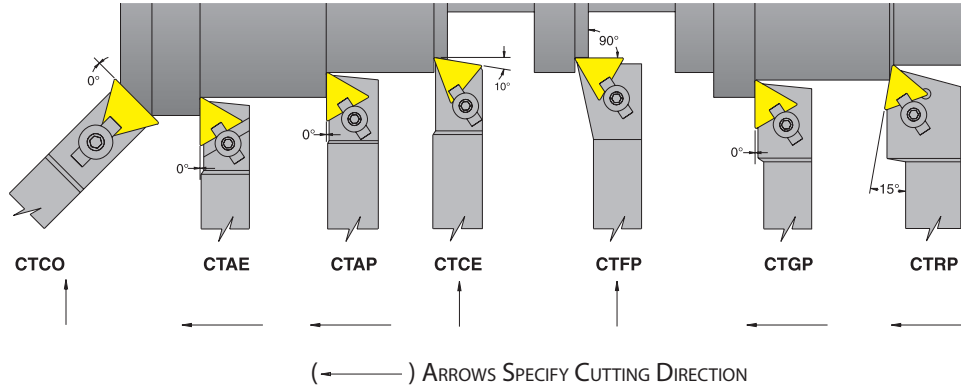
CSRPR R/L Toolholder Style R- 15° Side Cutting Edge Angle for 11° positive square SPG inserts



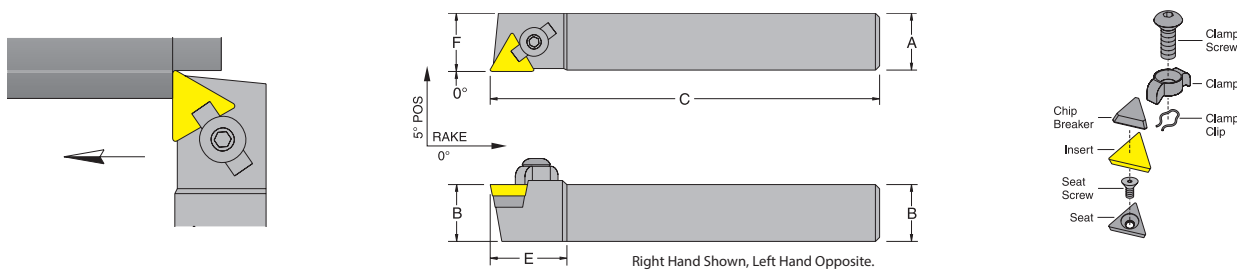
Inch Description	UPC No. 733101-		A	B	C	E	F	SPG Gage Insert	Seat	Seat Screw	Clamp	Clamp Clip	Clamp Screw	Optional Chip Breaker
	R.H.	L.H.												
CSRPR/L08-3J	51364	51365	0.500	0.500	3.50	1.00	0.533	322	-	-	HC-9	CLP-9	CS-94	S3BC
CSRPR/L16-6D	51368	51369	1.000	1.000	6.00	1.50	1.003	633	SM-36	TS-6	HC-12	CLP-12	CS-126	S6BG
CSRPR/L85-6D	-	51373	1.000	1.250	6.00	1.50	1.003							
CSRPR/L86-6E	51376*	51377	1.000	1.500	7.00	1.50	1.003							

For Turning inserts see pages A-62 - A-91. For spare parts see pages B-91-B-92.

CT - Style Toolholders



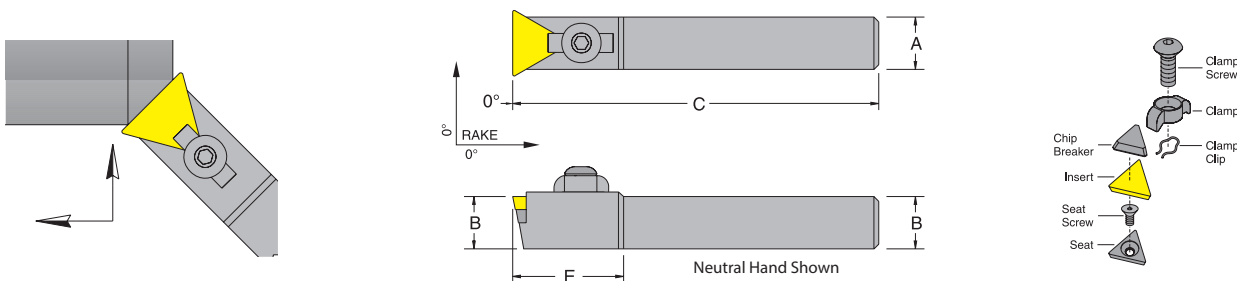
CTAP R/L Toolholder Style A- 0° Side Cutting Edge Angle for 11° positive triangle TPG inserts



Inch Description	UPC No. 733101-		A	B	C	E	F	TPG Gage Insert	Seat	Seat Screw	Clamp	Clamp Clip	Clamp Screw	Optional Chip Breaker
	R.H.	L.H.												
CTAPR/L06-2J	51382	51383	0.375	0.375	3.50	0.875	0.515	221	-	-	HC-9	CLP-9	CS-94	
CTAPR/L08-2J	51386	51387	0.500	0.500	3.50	0.875	0.515	221	-	-	HC-9	CLP-9	CS-96	T2AC
CTAPR/L10-2B	51390	51391	0.625	0.625	4.50	0.875	0.640							
CTAPR/L12-3B	51398	51399	0.750	0.750	4.50	1.250	0.765	322	SM-41	TS-4	HC-12	CLP-12	CS-126	T3AE
CTAPR/L16-3D	51402	51403	1.000	1.000	6.00	1.250	1.015							
CTAPR/L65-3D	51406	51407	0.750	1.250	6.00	1.250	0.765							
CTAPR/L16-4D	51410	51411	1.000	1.000	6.00	1.250	1.015	432	SM-37	TS-6	HC-12	CLP-12	CS-126	T4AE
CTAPR/L85-4D	51414	51415	1.000	1.250	6.00	1.250	1.015							

For Turning inserts see pages A-62 - A-91. For spare parts see pages B-91-B-92.

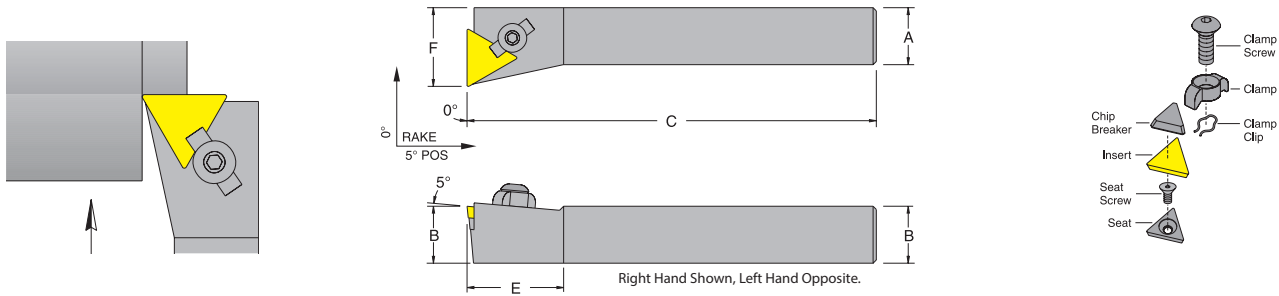
CTCO N Toolholder Style C- 0° End Cutting Edge Angle for 11° positive triangle TPG inserts



Inch Description	UPC No. 733101-	A	B	C	E	TPG Gage Insert	Seat	Seat Screw	Clamp	Clamp Clip	Clamp Screw	Optional Chip Breaker
	Neutral											
CTCON08-3J	51424	0.50	0.50	3.50	1.125	322	-	-	HC-9	CLP-9	CS-96	T3AE
CTCON44-3F	51426	0.50	1.00	8.00	1.125	322	SM-41	TS-4	HC-9	CLP-9	CS-96	
CTCON12-4B	51428	0.75	0.75	4.50	1.375	432	SM-37	TS-6	HC-12	CLP-12	CS-126	T4AE
CTCON64-4F	51430	0.75	1.00	8.00	1.375							
CTCON66-4F	51432	0.75	1.50	8.00	1.375							

For Turning inserts see pages A-62 - A-91. For spare parts see pages B-91-B-92.

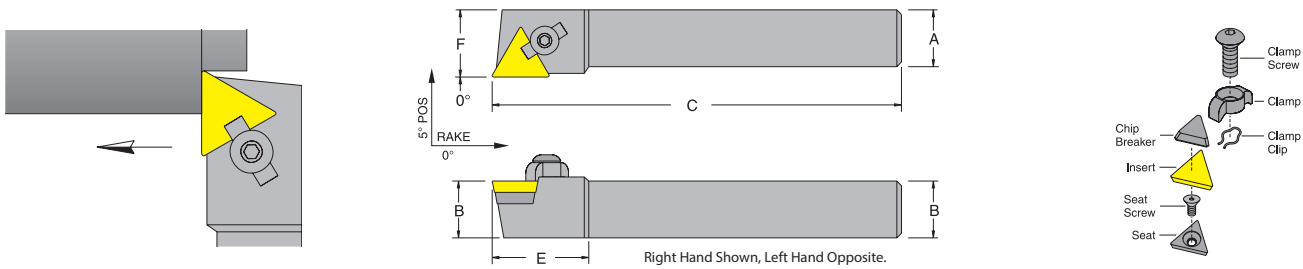
CTFP R/L Toolholder Style F- 0° End Cutting Edge Angle for 11° positive triangle TPG inserts



Inch Description	UPC No. 733101-		A	B	C	E	F	TPG Gage Insert	Seat	Seat Screw	Clamp	Clamp Clip	Clamp Screw	Optional Chip Breaker
	R.H.	L.H.												
CTFPR/L10-3B	51442	51443	0.625	0.625	4.50	1.125	0.875	322	SM-41	TS-4	HC-12	CLP-12	CS-126	T3AE
CTFPR/L12-3B	51446	51447	0.750	0.750	4.50	1.250	1.000							
CTFPR/L16-3D	51450	51451	1.000	1.000	6.00	1.125	1.250							
CTFPR/L12-4B	51454	-	0.750	0.750	4.50	1.125	1.000	432	SM-37	TS-6	HC-12	CLP-12	CS-126	T4AE
CTFPR/L16-4C	51458	51459	1.000	1.000	5.00	1.000	1.250							
CTFPR/L16-4D	51462	51463	1.000	1.000	6.00	1.000	1.250							
CTFPR/L20-4D	51466	51467	1.250	1.250	6.00	1.000	1.500							
CTFPR/L85-4D	51470	-	1.000	1.250	6.00	1.000	1.250							

For Turning inserts see pages A-62 - A-91. For spare parts see pages B-91-B-92.

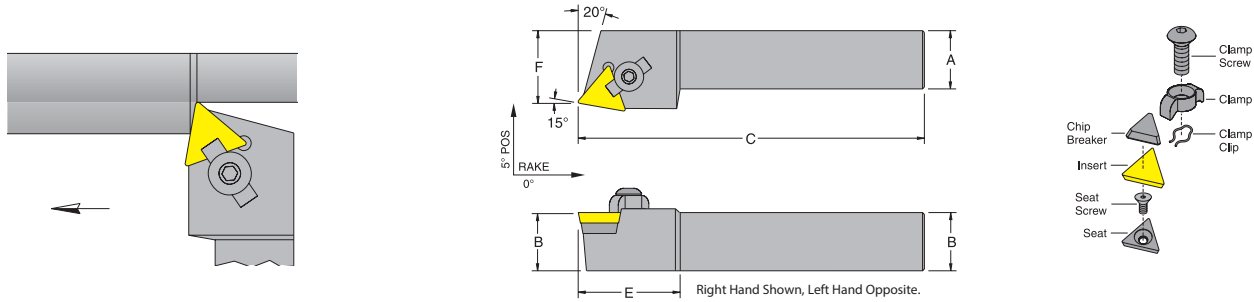
CTGP R/L Toolholder Style G- 0° Side Cutting Edge Angle for 11° positive triangle TPG inserts



Inch Description	UPC No. 733101-		A	B	C	E	F	TPG Gage Insert	Seat	Seat Screw	Clamp	Clamp Clip	Clamp Screw	Optional Chip Breaker
	R.H.	L.H.												
CTGPR/L10-3B	51492	51493	0.625	0.625	4.50	1.000	0.875	322	SM-41	TS-4	HC-12	CLP-12	CS-126	T3AE
CTGPR/L12-3B	51496	51497	0.750	0.750	4.50	1.000	1.000							
CTGPR/L16-4C	51500	51501	1.000	1.000	5.00	1.250	1.250							
CTGPR/L16-4D	51504	51505	1.000	1.000	6.00	1.250	1.250	432	SM-37	TS-6	HC-12	CLP-12	CS-126	T4AE
CTGPR/L20-4D	51508	51509	1.250	1.250	6.00	1.250	1.500							
CTGPR/L85-4D	51512	51513	1.000	1.250	6.00	1.250	1.250	543	SM-99	TS-10	HC-12	CLP-12	CS-126	T5AE
CTGPR/L16-5D	51516	51517	1.000	1.000	6.00	1.375	1.250							
CTGPR/L20-5D	51520	51521	1.250	1.250	6.00	1.375	1.500							
CTGPR/L24-5E	51524	51525	1.500	1.500	7.00	1.375	2.000							

For Turning inserts see pages A-62 - A-91. For spare parts see pages B-91-B-92.

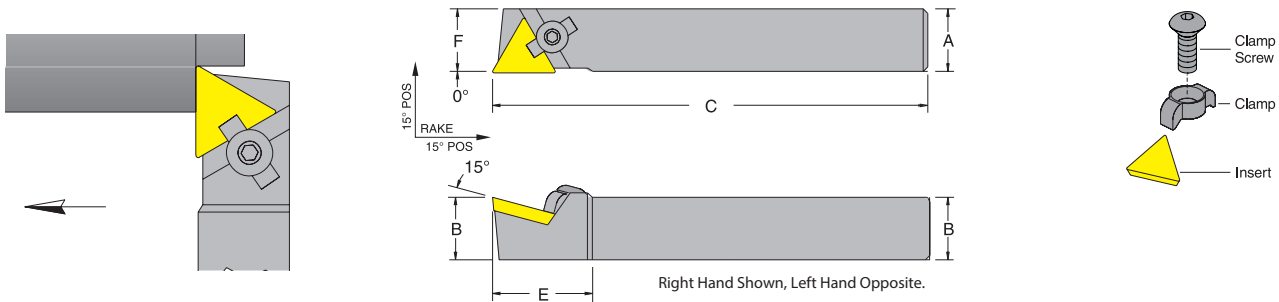
CTRP R/L Toolholder Style R- 15° Side Cutting Edge Angle for 11° positive triangle TPG inserts



Inch Description	UPC No. 733101-		A	B	C	E	F	TPG Gage Insert		Seat Screw	Clamp	Clamp Clip	Clamp Screw	Optional Chip Breaker
	R.H.	L.H.						Gage Insert	Seat					
CTRPR/L10-2B	51534	51535	0.625	0.625	4.50	1.000	0.776	221	-	-	HC-9	CLP-9	CS-96	T2AC
CTRPR/L12-3B	51538	51539	0.750	0.750	4.50	1.250	0.855	322	SM-41	TS-4	HC-12	CLP-12	CS-126	T3AE
CTRPR/L16-3D	51542	51543	1.000	1.000	6.00	1.250	1.105							
CTRPR/L85-4D	51546	51547	1.000	1.250	6.00	1.375	1.048	432	SM-37	TS-6	HC-12	CLP-12	CS-126	T4AE

For Turning inserts see pages A-62 - A-91. For spare parts see pages B-91-B-92.

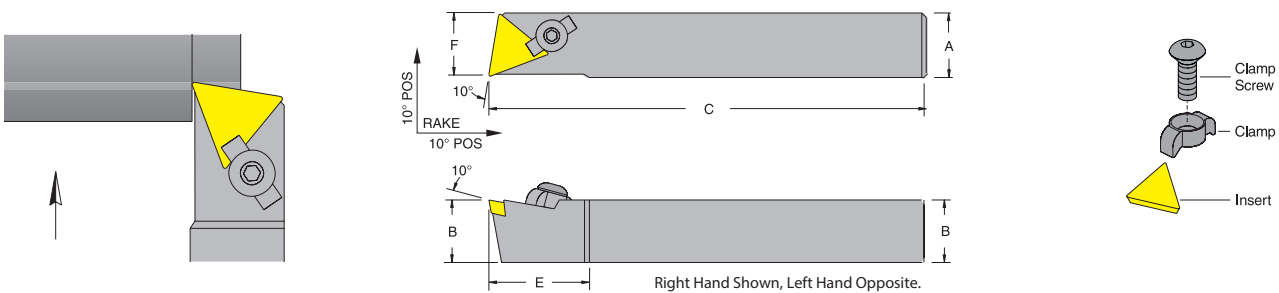
CTAE R/L Toolholder Style A 0° Side Cutting Edge Angle for 20° positive triangle TEGE inserts



Inch Description	UPC No. 733101-		A	B	C	E	F	TEGE Gage Insert		Clamp	Clamp Screw
	R.H.	L.H.						Gage Insert	Clamp		
CTAER/L06-7	51380	51381	0.375	0.375	2.50	0.625	0.375	731	HC-7	SHC-7	

For Turning inserts see pages A-62 - A-91. For spare parts see pages B-91-B-92.

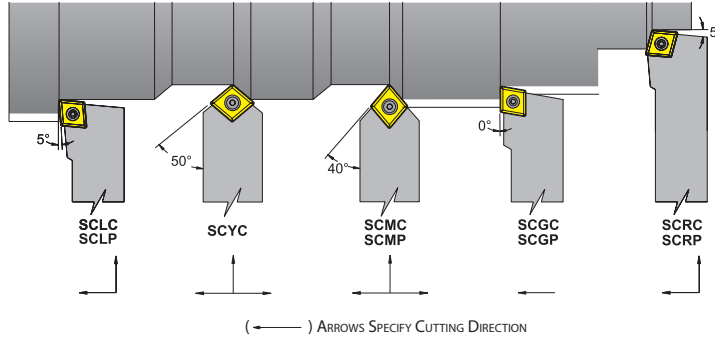
CTCE R/L Toolholder Style L -10° End Cutting Edge Angle for 20° positive triangle TEGE inserts



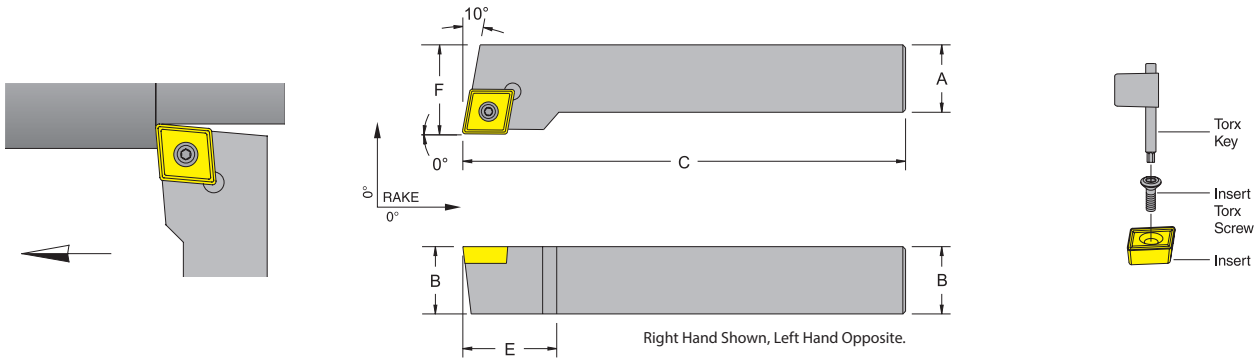
Inch Description	UPC No. 733101-		A	B	C	E	F	TEGE Gage Insert		Clamp	Clamp Screw
	R.H.	L.H.						Gage Insert	Clamp		
CTCER/L06-7	51418	51419	0.375	0.375	2.50	0.625	0.391	1.81.51	HC-7	SHC-7	

For Turning inserts see pages A-62 - A-91. For spare parts see pages B-91-B-92.

SC - Style Toolholders



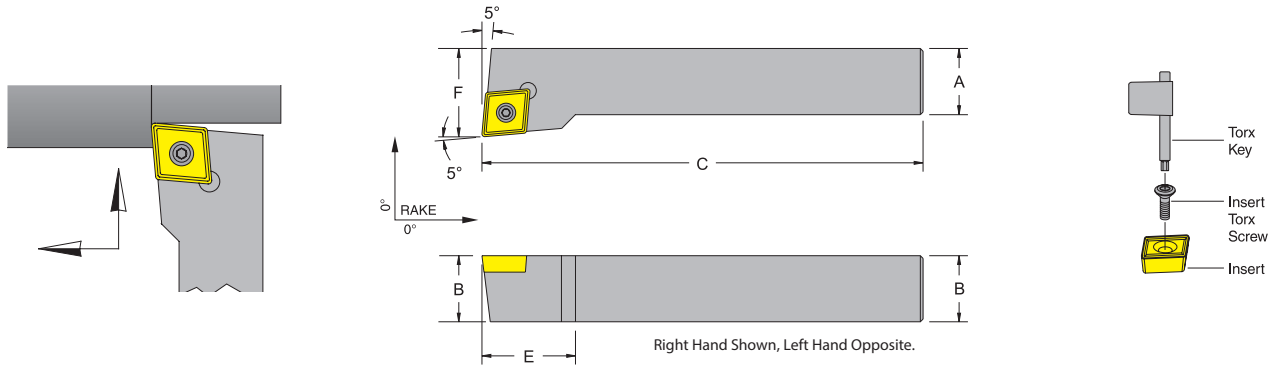
SCGC R/L Toolholder Style G- 0° Side Cutting Edge Angle for 7° positive 80° diamond CC_T inserts



Inch Description	UPC No. 733101-		A	B	C	E	F	CC_T Gage Insert	Insert Torx Screw	Torx Key
	R.H.	L.H.								
SCGCR/L05-2	51790	51791	0.312	0.312	2.50	.500	0.375	21.51	TS-25.45-6M2	T-8
SCGCR/L06-2J	51792	51793	0.375	0.375	3.50	.500	0.500			
SCGCR/L08-2A	51794	51795	0.500	0.500	4.00	.500	0.625			
SCGCR/L10-3A	-	51797	0.625	0.625	4.00	.688	0.750	32.52	TS-4.7-10M1	T-15
SCGCR/L12-3B	51798	51799	0.750	0.750	4.50	.688	1.000			

For Turning inserts see pages A-62 - A-91. For spare parts see pages B-91-B-92.

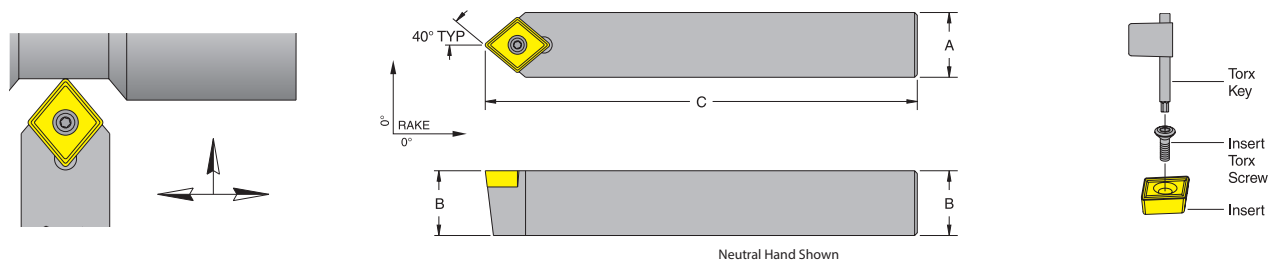
SCLC R/L Toolholder Style L- Negative 5° End or Side Cutting Edge Angle for 7° positive 80° diamond CC_T inserts



Inch Description	UPC No. 733101-		A	B	C	E	F	CC_T Gage Insert	Insert Torx Screw	Torx Key
	R.H.	L.H.								
SCLCR/L05-2	51806	51807	0.312	0.312	2.500	0.500	0.375	21.51	TS-25.45-6M2	T-8
SCLCR/L06-2	-	51811	0.375	0.375	2.500	0.500	0.500			
SCLCR/L06-2J	51800	51801	0.375	0.375	3.500	0.500	0.500			
SCLCR/L08-2J	-	51815	0.500	0.500	3.500	0.500	0.625			
SCLCR/L10-2A	-	51819	0.625	0.625	4.000	0.500	0.750	32.52	TS-4.7-10M1	T-15
SCLCR/L08-3A	51804	51805	0.500	0.500	4.000	0.688	0.625			
SCLCR/L10-3A	51822	51823	0.625	0.625	4.000	0.688	0.750			
SCLCR/L10-3B	51808	51809	0.625	0.625	4.500	0.688	0.750			
SCLCR/L12-3B	51812	51813	0.750	0.750	4.500	0.688	1.000	432	TS-5.8-10M1	T-20
SCLCR/L16-3D	51816	51817	1.000	1.000	6.000	0.688	1.250			
SCLCR/L12-4B	51820	51821	0.750	0.750	4.500	0.850	1.000			
SCLCR/L16-4D	51824	51825	1.000	1.000	6.000	0.850	1.250			
SCLCR/L20-4D	51826	-	1.250	1.250	6.000	0.850	1.500			

For Turning inserts see pages A-62 - A-91. For spare parts see pages B-91-B-92.

SCMC N Toolholder Style M- 40° Side Cutting Edge Angle for 7° positive 80° diamond CC_T inserts

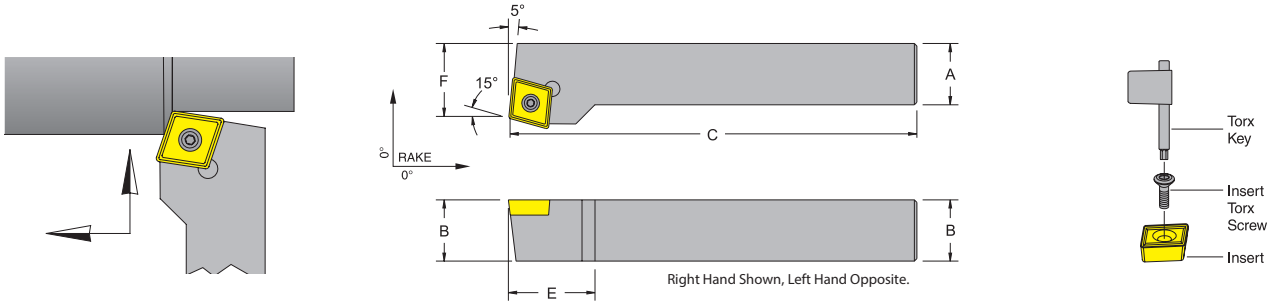


Inch Description	UPC No. 733101-	A	B	C	CC_T Gage Insert	Insert Torx Screw	Torx Key
	Neutral						
SCMCN08-2J	51833	0.500	0.500	3.500	21.51	TS-25.45-6M2	T-8
SCMCN10-2A	51829	0.625	0.625	4.000			
SCMCN08-3J	51830	0.500	0.500	3.500			
SCMCN08-3A	51836	0.500	0.500	4.000	32.52	TS-4.7-10M1	T-15
SCMCN10-3A	51831	0.625	0.625	4.000			
SCMCN10-3B	51838	0.625	0.625	4.500			
SCMCN12-3B	51840	0.750	0.750	4.500			
SCMCN16-3D	51832	1.000	1.000	6.000	432	TS-5.8-10M1	T-20
SCMCN12-4B	51842	0.750	0.750	4.500			
SCMCN16-4D	51844	1.000	1.000	6.000			

For Turning inserts see pages A-62 - A-91. For spare parts see pages B-91-B-92.

Screw-Lock Toolholders

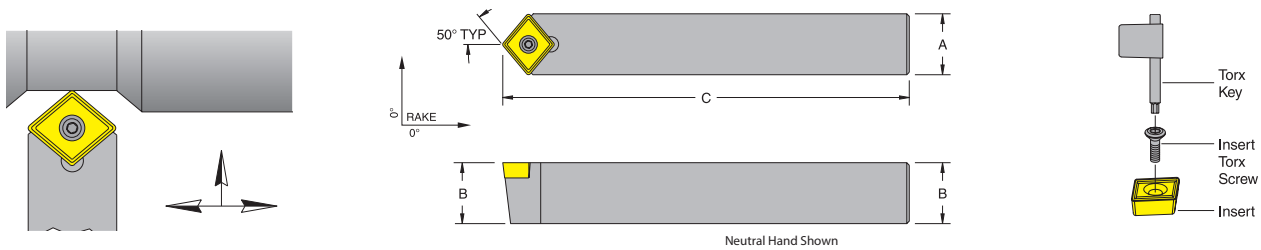
SCRC R/L Toolholder Style R -15° Side Cutting Edge Angle for 7° positive 80° diamond CC_T inserts



Inch Description	UPC No. 733101-		A	B	C	E	F	CC_T Gage Insert	Insert Torx Screw	Torx Key
	R.H.	L.H.								
SCRCR/L06-2	51859	51861	0.375	0.375	2.500	0.500	0.439	21.51	TS-25.45-6M2	T-8
SCRCR/L08-2J	51863	51865	0.500	0.500	3.500	0.500	0.564			
SCRCR/L08-3J	51866	51867	0.500	0.500	3.500	0.688	0.548	32.52	TS-4.7-10M1	T-15
SCRCR/L10-3A	51868	51869	0.625	0.625	4.000	0.688	0.673			

For Turning inserts see pages A-62 - A-91. For spare parts see pages B-91-B-92.

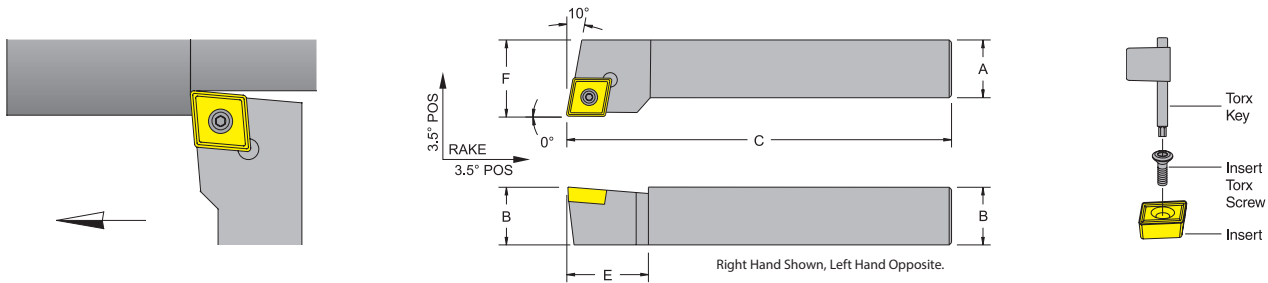
SCYC N Toolholder Style Y- 50° Side Cutting Edge Angle for 7° positive 80° diamond CC_T inserts



Inch Description	UPC No. 733101- Neutral	A	B	C	CC_T Gage Insert	Insert Torx Screw	Torx Key
SCYCN08-3A	51856	0.500	0.500	4.000	32.52	TS-4.7-10M1	T-15
SCYCN12-3B	51860	0.750	0.750	4.500			
SCYCN12-4B	51862	0.750	0.750	4.500	432	TS-5.8-10M1	T-20
SCYCN16-4D	51864	1.000	1.000	6.000			

For Turning inserts see pages A-62 - A-91. For spare parts see pages B-91-B-92.

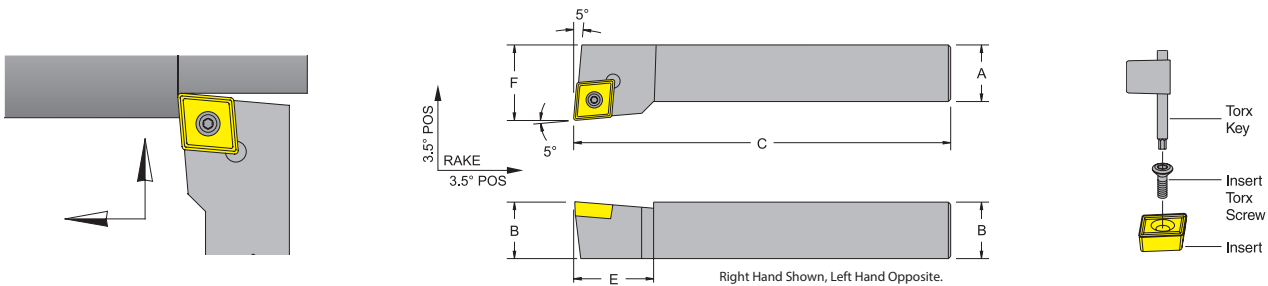
SCGP R/L Toolholder Style G- 0° End Cutting Edge Angle for 11° positive 80° diamond CP_T inserts



Inch Description	UPC No. 733101-		A	B	C	E	F	CP_T Gage Insert	Insert Torx Screw	Torx Key
	R.H.	L.H.								
SCGPR/L06-2	51870	51871	0.375	0.375	2.500	0.500	0.500	21.51	TS-25.45-6M2	T-8
SCGPR/L08-3J	51874	51875	0.500	0.500	3.500	0.688	0.625	32.52	TS-4.7-10M1	T-15
SCGPR/L12-3B	51878	51879	0.750	0.750	4.500	0.688	1.000			

For Turning inserts see pages A-62 - A-91. For spare parts see pages B-91-B-92.

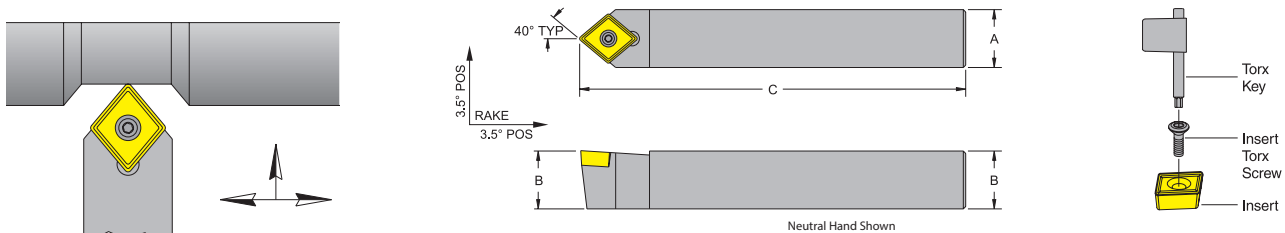
SCLP R/L Toolholder Style L -Negative 5° End or Side Cutting Edge Angle for 11° positive 80° diamond CP_T inserts



Inch Description	UPC No. 733101-		A	B	C	E	F	CP_T Gage Insert	Insert Torx Screw	Torx Key
	R.H.	L.H.								
SCLPR/L06-2	51882	-	0.375	0.375	2.500	0.500	0.500	21.51	TS-25.45-6M2	T-8
SCLPR/L08-3J	51886	51887	0.500	0.500	3.500	0.688	0.625	32.52	TS-4.7-10M1	T-15
SCLPR/L12-3B	51890	51891	0.750	0.750	4.500	0.688	1.000			

For Turning inserts see pages A-62 - A-91. For spare parts see pages B-91-B-92.

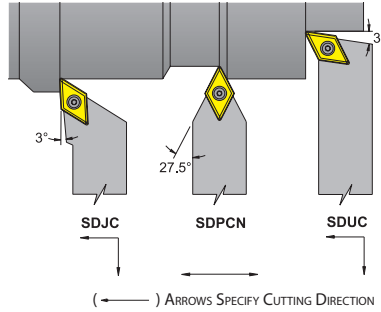
SCMP N Toolholder Style M- 40° Side Cutting Edge Angle for 11° positive 80° diamond CP_T inserts



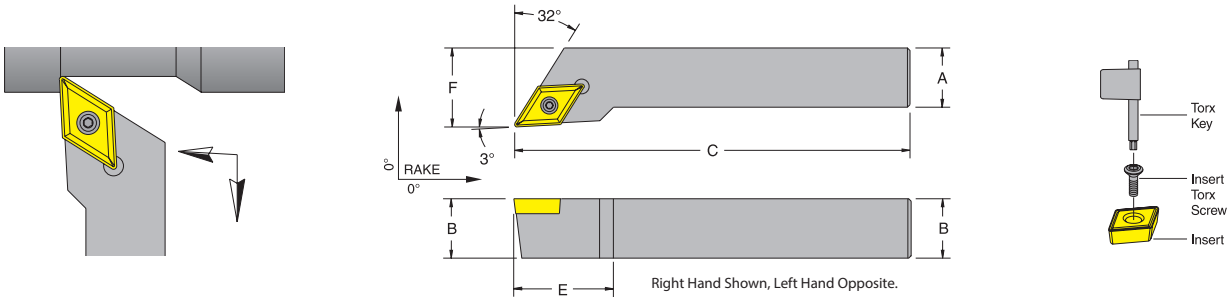
Inch Description	UPC No. 733101-	A	B	C	CP_T Gage Insert	Insert Torx Screw	Torx Key
	Neutral						
SCMPN06-2	51894	0.375	0.375	2.500	21.51	TS-25.45-6M2	T-8
SCMPN08-3J	51895	0.500	0.500	3.500	32.52	TS-4.7-10M1	T-15

For Turning inserts see pages A-62 - A-91. For spare parts see pages B-91-B-92.

SD - Style Toolholders



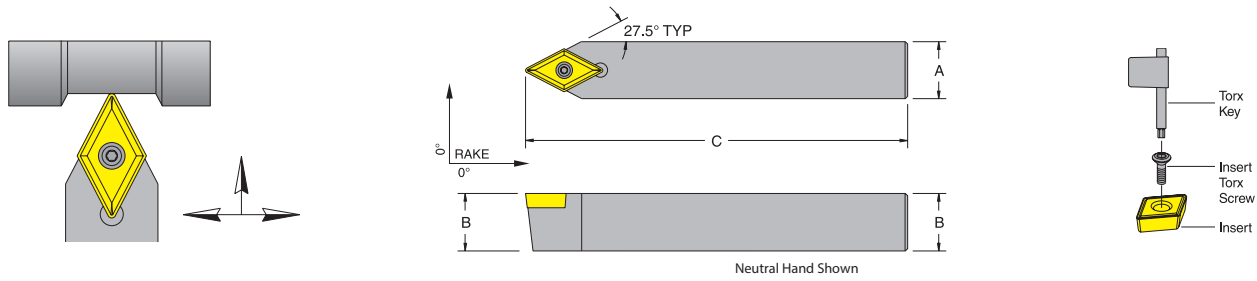
SDJC R/L Toolholder Style J- Negative 3° Side Cutting Edge Angle for 7° positive 55° diamond DC_T inserts



Inch Description	UPC No. 733101-		A	B	C	E	F	DC_T Gage Insert	Insert Torx Screw	Torx Key
	R.H.	L.H.								
SDJCR/L06-2J	51872	51873	0.375	0.375	3.500	0.688	0.500	21.51	TS-25.45-6M2	T-8
SDJCR/L08-2A	51876	51877	0.500	0.500	4.000	0.688	0.625			
SDJCR/L08-3A	51880	51881	0.500	0.500	4.000	1.000	0.625	32.52	TS-4.7-10M1	T-15
SDJCR/L10-3B	51884	51885	0.625	0.625	4.500	1.000	0.750			
SDJCR/L12-3B	51888	51889	0.750	0.750	4.500	1.000	1.000			
SDJCR/L16-3D	51892	51893	1.000	1.000	6.000	1.000	1.250	432	TS-5.8-10M1	T-20
SDJCR/L12-4B	51896	-	0.750	0.750	4.500	1.250	1.000			
SDJCR/L16-4D	51900	51901	1.000	1.000	6.000	1.250	1.250			

For Turning inserts see pages A-62 - A-91. For spare parts see pages B-91-B-92.

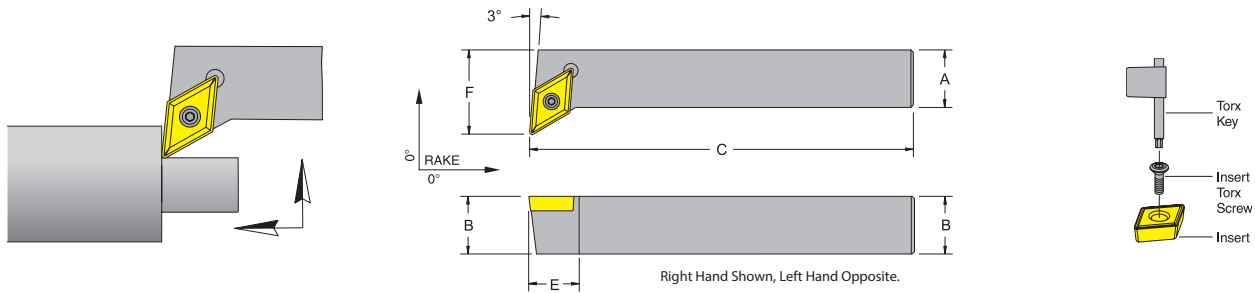
SDPC N Toolholder Style P- 27.5° Side Cutting Edge Angle for 7° positive 55° diamond DC_T inserts



Inch Description	UPC No. 733101-Neutral	A	B	C	DC_T Gage Insert	Insert Torx Screw	Torx Key
SDPCN06-2J	51910	0.375	0.375	3.500	21.51	TS-25.45-6M2	T-8
SDPCN06-2D	51942	0.375	0.375	6.000			
SDPCN08-2A	51912	0.500	0.500	4.000			
SDPCN08-2D	51943	0.500	0.500	6.000			
SDPCN08-3D	51944	0.500	0.500	6.000	32.52	TS-4.7-10M1	T-15
SDPCN10-3B	51914	0.625	0.625	4.500			
SDPCN10-3D	51945	0.625	0.625	6.000			
SDPCN12-3B	51916	0.750	0.750	4.500			
SDPCN16-3D	51918	1.000	1.000	6.000	432	TS-5.8-10M1	T-20
SDPCN12-4B	51920	0.750	0.750	4.500			
SDPCN16-4D	51922	1.000	1.000	6.000			

For Turning inserts see pages A-62 - A-91. For spare parts see pages B-91-B-92.

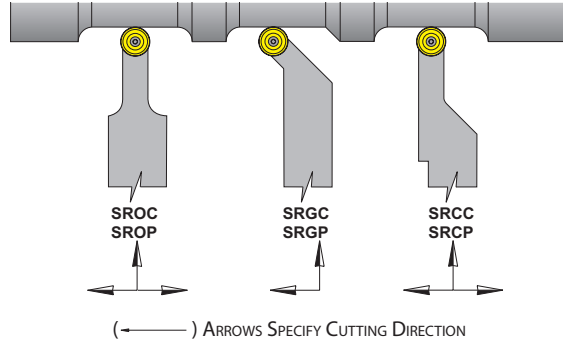
SDUC R/L Toolholder Style U- 3° End Cutting Edge Angle for 7° positive 55° diamond DC_T inserts



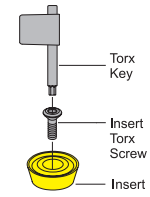
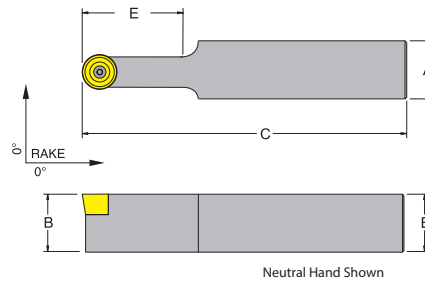
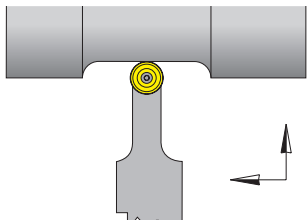
Inch Description	UPC No. 733101-R.H.	UPC No. 733101-L.H.	A	B	C	E	F	DC_T Gage Insert	Insert Torx Screw	Torx Key
SDUCR/L08-2J	51946	51947	0.500	0.500	3.500	0.500	0.670	21.51	TS-25.45-6M2	T-8
SDUCR/L10-2A	51948	-	0.625	0.625	4.000	0.500	0.795			
SDUCR/L10-3A	51954	51959	0.625	0.625	4.000	0.688	0.871	32.52	TS-4.7-10M1	T-15

For Turning inserts see pages A-62 - A-91. For spare parts see pages B-91-B-92.

SR - Style Toolholders



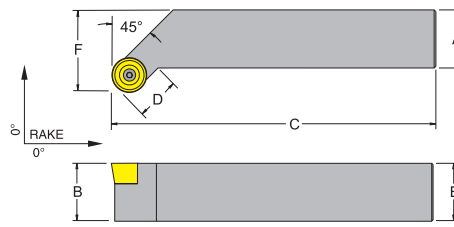
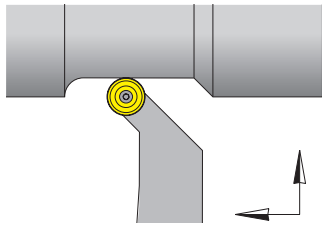
SROC N Toolholder Style O- Profiling, Plunging, and Turning for 7° positive round RC_T inserts



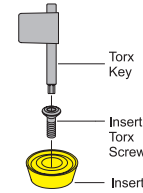
Inch Description	UPC No. 733101-Neutral	A	B	C	E	RC_T Gage Insert	Insert Torx Screw	Torx Key
SROCN10-06A	52160	0.625	0.625	4.000	0.625	0602MO	TS-25.45-6M2	T-8
SROCN16-06D	52162	1.000	1.000	6.000	1.000			
SROCN20-06D	52163	1.250	1.250	6.000	1.250			
SROCN20-10D	52169	1.250	1.250	6.000	1.250	1003MO	TS-35.6-9M1	T-15

For Turning inserts see pages A-62 - A-91. For spare parts see pages B-91-B-92.

SRGC R/L Tolholder Style G- Profiling, Plunging, and Turning for 7° positive round RC_T inserts



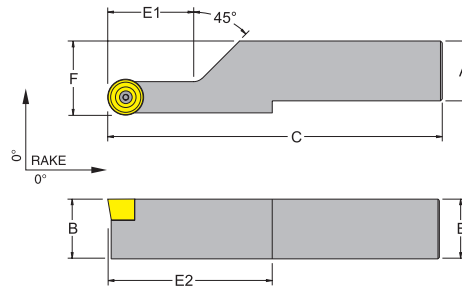
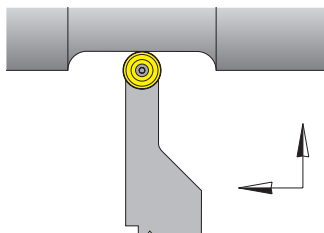
Right Hand Shown, Left Hand Opposite.



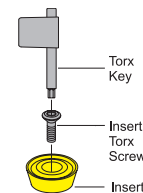
Inch Description	UPC No. 733101-		A	B	C	D	F	RC_T Gage Insert	Insert Torx Screw	Torx Key
	R.H.	L.H.								
SRGCR/L16-06D	-	52181	1.000	1.000	6.000	0.420	1.250	0602MO	TS-25.45-6M2	T-8
SRGCR/L12-08B	52184	-	0.750	0.750	4.500	0.450	1.000	0803MO	TS-3.5-7M1	T-8
SRGCR/L12-10B	-	52191	0.750	0.750	4.500	0.470	1.000	1003MO	TS-35.6-9M1	T-15
SRGCR/L20-10D	52194	52195	1.250	1.250	6.000	0.470	1.500			

For Turning inserts see pages A-62 - A-91. For spare parts see pages B-91-B-92.

SRCC R/L Toolholder Style C- Profiling, Plunging and Turning for 7° positive round RC_T inserts



Right Hand Shown, Left Hand Opposite.

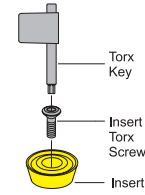
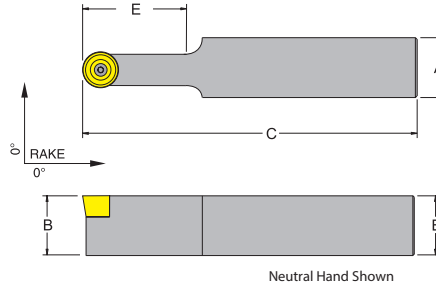
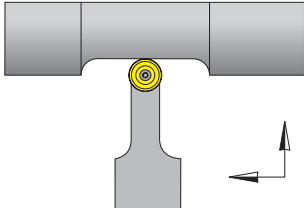


Inch Description	UPC No. 733101-		A	B	C	E1	E2	F	RC_T Gage Insert	Insert Torx Screw	Torx Key
	R.H.	L.H.									
SRCCR/L12-06B	52214	-	0.750	0.750	4.500	0.810	1.560	0.868	0602MO	TS-25.45-6M2	T-8
SRCCR/L16-06D	-	52217	1.000	1.000	6.000	0.810	1.810	1.118			
SRCCR/L12-08B	52220	52221	0.750	0.750	4.500	1.020	1.770	0.908	0803MO	TS-3.5-7M1	T-8
SRCCR/L16-08D	52222	52223	1.000	1.000	6.000	1.020	2.020	1.158			
SRCCR/L12-10B	52226	52227	0.750	0.750	4.500	1.230	1.980	0.947	1003MO	TS-35.6-9M1	T-15

For Turning inserts see pages A-62 - A-91. For spare parts see pages B-91-B-92.

Screw-Lock Toolholders

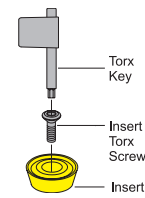
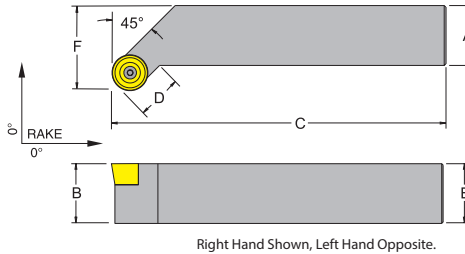
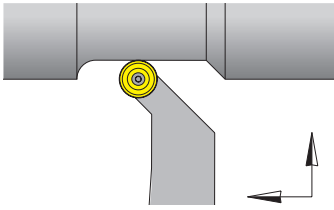
SROP N Toolholder Style O- Profiling, Plunging and Turning for 11° positive round RP_T inserts



Inch Description	UPC No. 733101-Neutral		A	B	C	E	RP_T Gage Insert	Insert Torx Screw	Torx Key
SROPN16-10D	52171		1.000	1.000	6.000	1.000	1003MO	TS-35.6-9M1	T-15
SROPN20-10D	52172		1.250	1.250	6.000	1.250			

For Turning inserts see pages A-62 - A-91. For spare parts see pages B-91-B-92.

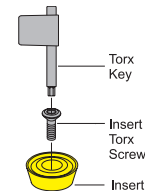
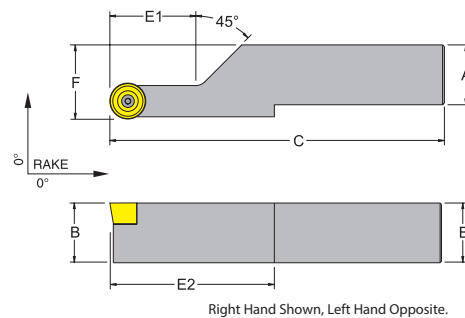
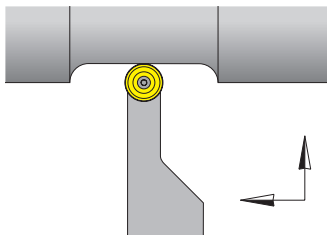
SRGP R/L Toolholder Style G- Profiling, Plunging and Turning for 11° positive round RP_T inserts



Inch Description	UPC No. 733101-		A	B	C	D	F	RP_T Gage Insert	Insert Torx Screw	Torx Key
	R.H.	L.H.								
SRGPR/L16-10D	52198	-	1.000	1.000	6.000	0.470	1.250	1003MO	TS-35.6-9M1	T-15

For Turning inserts see pages A-62 - A-91. For spare parts see pages B-91-B-92.

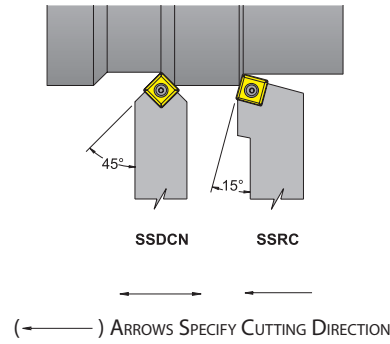
SRCP R/L Toolholder Style C- Profiling, Plunging and Turning for 11° positive round RP_T inserts



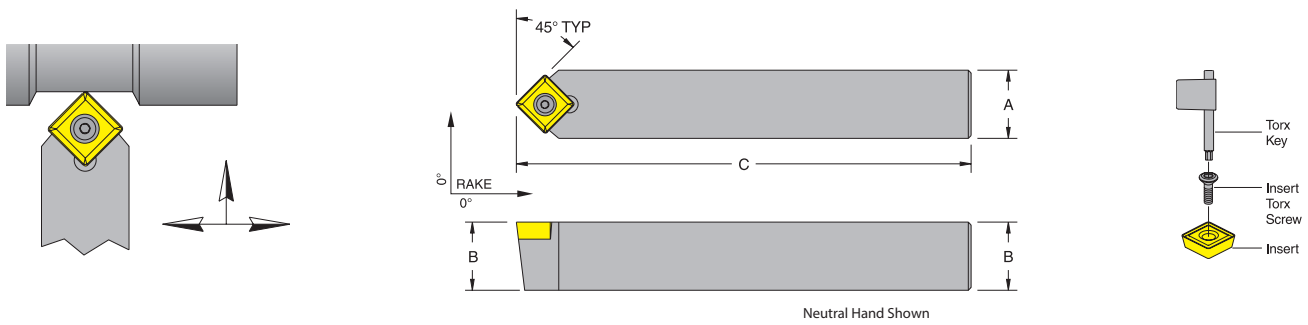
Inch Description	UPC No. 733101-		A	B	C	E1	E2	F	RP_T Gage Insert	Insert Torx Screw	Torx Key
	R.H.	L.H.									
SRCPR/L12-10B	52232	52233	0.750	0.750	4.500	1.230	1.980	0.947	1003MO	TS-35.6-9M1	T-15

For Turning inserts see pages A-62 - A-91. For spare parts see pages B-91-B-92.

SS - Style Toolholders



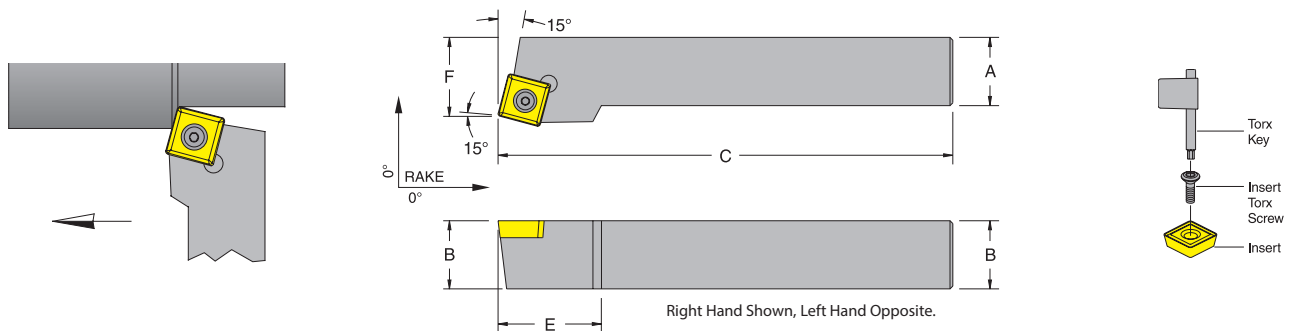
SSDC N Toolholder Style D - 45° Side Cutting Edge Angle for 7° positive square SC_T inserts



Inch Description	UPC No. 733101-Neutral	A	B	C	SC_T Gage Insert	Insert Torx Screw	Torx Key
SSDCN08-3A	51932	0.500	0.500	4.000	32.52	TS-4.7-10M1	T-15
SSDCN10-3B	51934	0.625	0.625	4.500			
SSDCN12-3B	51936	0.750	0.750	4.500			
SSDCN16-4D	51938	1.000	1.000	6.000	432	TS-5.8-10M1	T-20

For Turning inserts see pages A-62 - A-91. For spare parts see pages B-91-B-92.

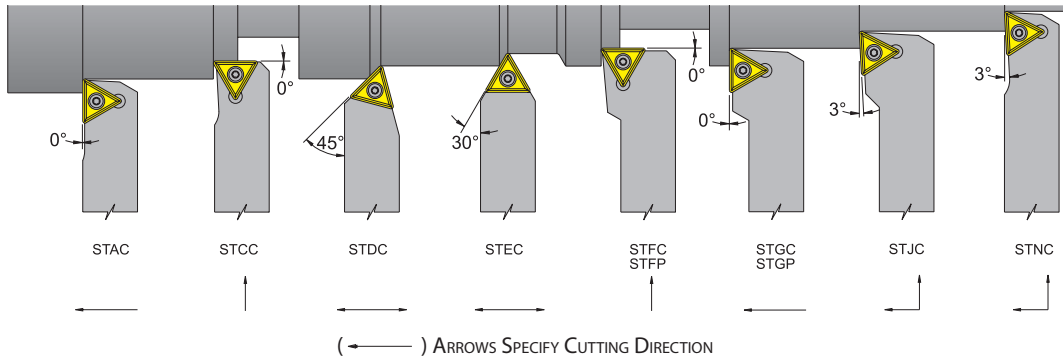
SSRC R/L Toolholder Style R - 15° Side Cutting Edge Angle for 7° positive square SC_T inserts



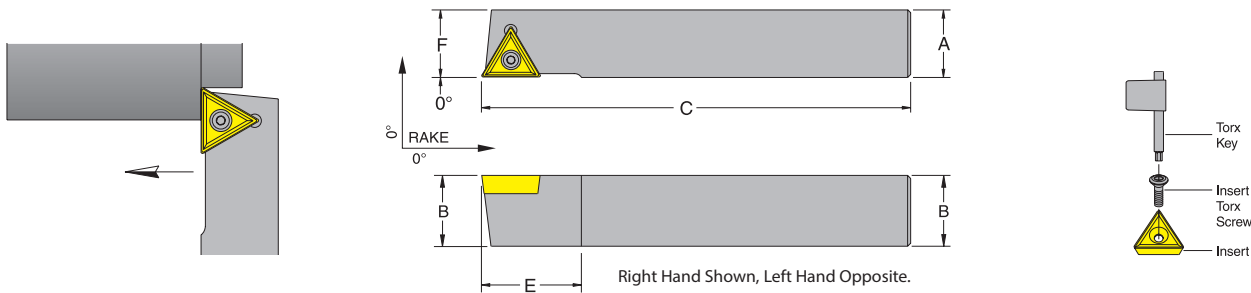
Inch Description	UPC No. 733101-R.H.	L.H.	A	B	C	E	F	SC_T Gage Insert	Insert Torx Screw	Torx Key
SSRCR/L08-3A	51952	51953	0.500	0.500	4.000	0.750	0.625	32.52	TS-4.7-10M1	T-15
SSRCR/L10-3A	51956	-	0.625	0.625	4.000	0.750	0.785			
SSRCR/L10-3B	51960	51961	0.625	0.625	4.500	0.750	0.785			
SSRCR/L12-3B	51964	51965	0.750	0.750	4.500	0.750	0.910	432	TS-5.8-10M1	T-20
SSRCR/L16-4C	51968	-	1.000	1.000	5.000	0.875	1.130			
SSRCR/L16-4D	51972	51973	1.000	1.000	6.000	0.875	1.130			

For Turning inserts see pages A-62 - A-91. For spare parts see pages B-91-B-92.

ST - Style Toolholders



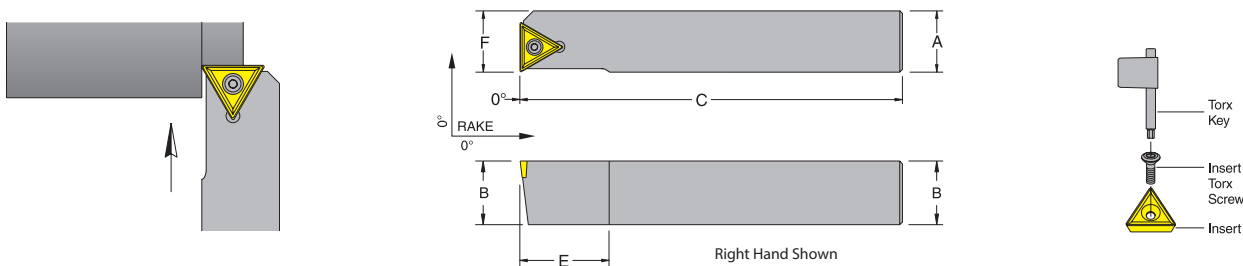
STAC R/L Toolholder Style A- 0° Side Cutting Edge Angle for 7° positive triangle TC_T inserts



Inch Description	UPC No. 733101-		A	B	C	E	F	TC_T Gage Insert	Insert Torx Screw	Torx Key
	R.H.	L.H.								
STACR/L06-2	51556	51557	0.375	0.375	2.50	0.625	0.375	21.51	TS-25.45-6M2	T-8
STACR/L08-2J	51558	-	0.500	0.500	3.50	0.625	0.500			
STACR/L10-2A	51560	51561	0.625	0.625	4.00	0.625	0.625			
STACR/L10-3B	-	51565	0.625	0.625	4.50	0.750	0.625			
STACR/L12-3B	51562	51567	0.750	0.750	4.50	1.125	0.750			
STACR/L64-3D	51564	51569	0.750	1.000	6.00	1.125	0.750			
STACR/L85-4D	51566	-	1.000	1.250	6.00	1.250	1.000	432	TS-5.8-10M1	T-20
STACR/L106-4D	51568	-	1.250	1.500	6.00	1.250	1.250			

For Turning inserts see pages A-62 - A-91. For spare parts see pages B-91-B-92.

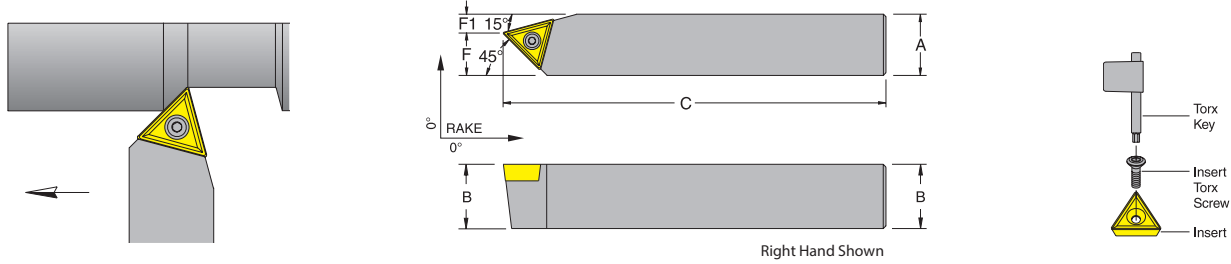
STCC R Toolholder Style C - 0° End Cutting Edge Angle for 7° positive triangle TC_T inserts



Inch Description	UPC No. 733101-		A	B	C	E	F	TC_T Gage Insert	Insert Torx Screw	Torx Key
	R.H.	L.H.								
STCCR06-2	51578		0.375	0.375	2.50	0.520	0.395	21.51	TS-25.45-6M2	T-8
STCCR08-2J	51580		0.500	0.500	3.50	0.520	0.520			
STCCR10-2A	51582		0.625	0.625	4.00	0.520	0.645			
STCCR12-3B	51584		0.750	0.750	4.50	1.140	0.770			
STCCR64-3D	51586		0.750	1.000	6.00	1.140	0.770			
STCCR85-4D	51588		1.000	1.250	6.00	1.233	1.020			
STCCR106-4D	51590		1.250	1.500	6.00	1.233	1.270	432	TS-5.8-10M1	T-20

For Turning inserts see pages A-62 - A-91. For spare parts see pages B-91-B-92.

STDC R Toolholder Style D - 45° Side Cutting Edge Angle for 7° positive triangle TC_T inserts

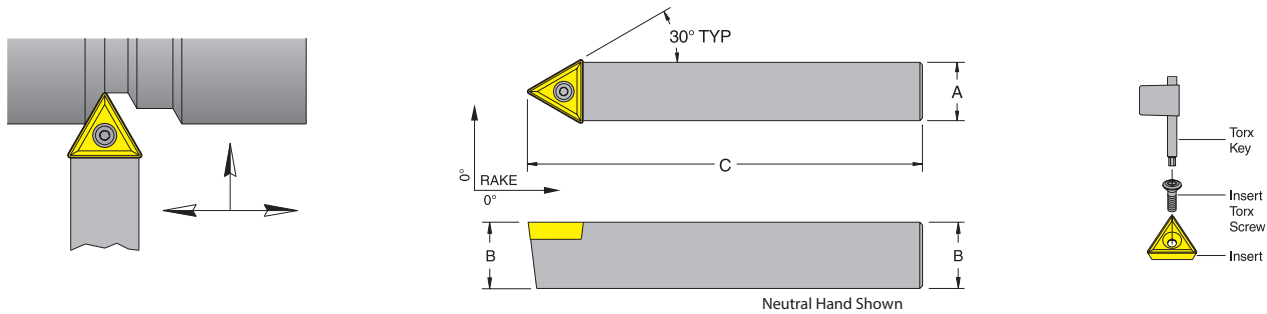


Right Hand Shown

Inch Description	UPC No. 733101- R.H.	A	B	C	F	F1	TC_T Gage Insert	Insert Torx Screw	Torx Key
STDCR06-2	51600	0.375	0.375	2.50	.260	.115	21.51	TS-25.45-6M2	T-8
STDCR08-2J	51602	0.500	0.500	3.50	.298	.201			
STDCR10-2A	51604	0.625	0.625	4.00	.361	.264			
STDCR12-3B	51606	0.750	0.750	4.50	.456	.294	32.52	TS-4.7-10M1	T-15
STDCR64-3D	51608	0.750	1.000	6.00	.456	.294			
STDCR85-4D	51610	1.000	1.250	6.00	.613	.387	432	TS-5.8-10M1	T-20
STDCR106-4D	51612	1.250	1.500	6.00	.738	.512			

For Turning inserts see pages A-62 - A-91. For spare parts see pages B-91-B-92.

STEC N Toolholder Style E- 30° Side Cutting Edge Angle for 7° positive triangle TC_T inserts

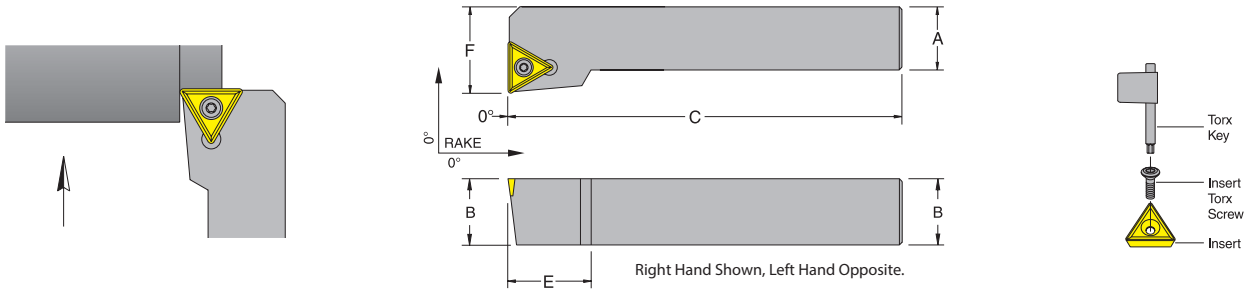


Neutral Hand Shown

Inch Description	UPC No. 733101- Neutral	A	B	C	TC_T Gage Insert	Insert Torx Screw	Torx Key
STECN06-2	51622	0.375	0.375	2.50	21.51	TS-25.45-6M2	T-8
STECN08-2J	51624	0.500	0.500	3.50			
STECN10-2A	51626	0.625	0.625	4.00			
STECN12-3B	51628	0.750	0.750	4.50	32.52	TS-4.7-10M1	T-15
STECN64-3D	51630	0.750	1.000	6.00			
STECN85-4D	51632	1.000	1.250	6.00	432	TS-5.8-10M1	T-20
STECN106-4D	51634	1.250	1.500	6.00			

For Turning inserts see pages A-62 - A-91. For spare parts see pages B-91-B-92.

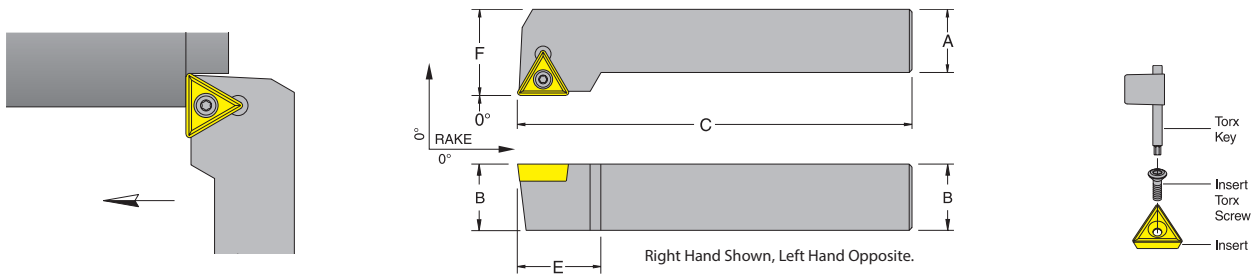
STFC R/L Toolholder Style F- 0° End Cutting Edge Angle for 7° positive triangle TC_T inserts



Inch Description	UPC No. 733101-		A	B	C	E	F	TC_T Gage Insert	Insert Torx Screw	Torx Key
	R.H.	L.H.								
STFCRL06-2	51644	51645	0.375	0.375	2.500	0.500	0.500	21.51	TS-25.45-6M2	T-8
STFCRL08-2J	51648	-	0.500	0.500	3.500	0.500	0.625			
STFCRL10-2A	51652	51653	0.625	0.625	4.000	0.500	0.750			
STFCRL10-3B	51656	51657	0.625	0.625	4.500	0.850	0.750	32.52	TS-4.7-10M1	T-15
STFCRL12-3B	51660	-	0.750	0.750	4.500	0.850	1.000			
STFCRL16-3D	51664	51665	1.000	1.000	6.000	0.850	1.250			
STFCRL20-4D	51668	51669	1.250	1.250	6.000	1.000	1.500			
								432	TS-5.8-10M1	T-20

For Turning inserts see pages A-62 - A-91. For spare parts see pages B-91-B-92.

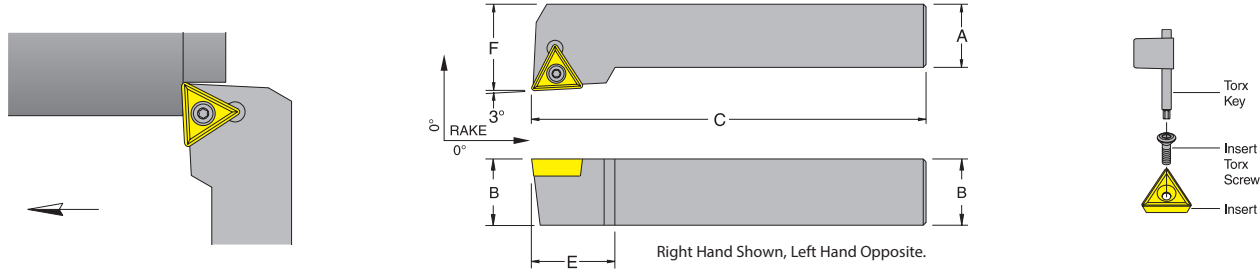
STGC R/L Toolholder Style G- 0° Side Cutting Edge Angle for 7° positive triangle TC_T inserts



Inch Description	UPC No. 733101-		A	B	C	E	F	TC_T Gage Insert	Insert Torx Screw	Torx Key
	R.H.	L.H.								
STGCRLO6-2	51672	51673	0.375	0.375	2.500	0.500	0.500	21.51	TS-25.45-6M2	T-8
STGCRLO8-2J	51676	51677	0.500	0.500	3.500	0.500	0.625			
STGCRLO10-2A	51680	51681	0.625	0.625	4.000	0.500	0.750			
STGCRLO10-3B	51684	51685	0.625	0.625	4.500	0.850	0.750	32.52	TS-4.7-10M1	T-15
STGCRLO12-3B	51688	51689	0.750	0.750	4.500	0.850	1.000			
STGCRLO16-3D	51692	51693	1.000	1.000	6.000	0.850	1.250			
STGCRLO20-4D	-	51697	1.250	1.250	6.000	1.250	1.500			
								432	TS-5.8-10M1	T-20

For Turning inserts see pages A-62 - A-91. For spare parts see pages B-91-B-92.

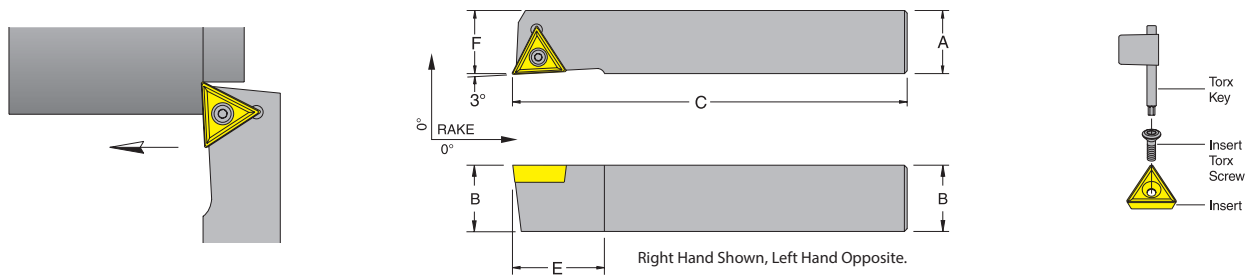
STJC R/L Toolholder Style J- 3° Side Cutting Edge Angle for 7° positive triangle TC_T inserts



Inch Description	UPC No. 733101-		A	B	C	E	F	TC_T Gage Insert	Insert Torx Screw	Torx Key
	R.H.	L.H.								
STJCRL06-2	51700	51701	0.375	0.375	2.500	0.500	0.500	21.51	TS-25.45-6M2	T-8
STJCRL08-2J	-	51705	0.500	0.500	3.500	0.500	0.625			
STJCRL10-2A	51708	51709	0.625	0.625	4.000	0.500	0.750			
STJCRL10-3B	51712	51713	0.625	0.625	4.500	0.850	0.750	32.52	TS-4.7-10M1	T-15
STJCRL12-3B	51716	-	0.750	0.750	4.500	0.850	1.000			
STJCRL16-3D	51720	51721	1.000	1.000	6.000	0.850	1.250			
STJCRL20-4D	51724	51725	1.250	1.250	6.000	1.250	1.500	432	TS-5.8-10M1	T-20

For Turning inserts see pages A-62 - A-91. For spare parts see pages B-91-B-92.

STNC R/L Toolholder Style N - 3° Side Cutting Edge Angle for 7° positive triangle TC_T inserts

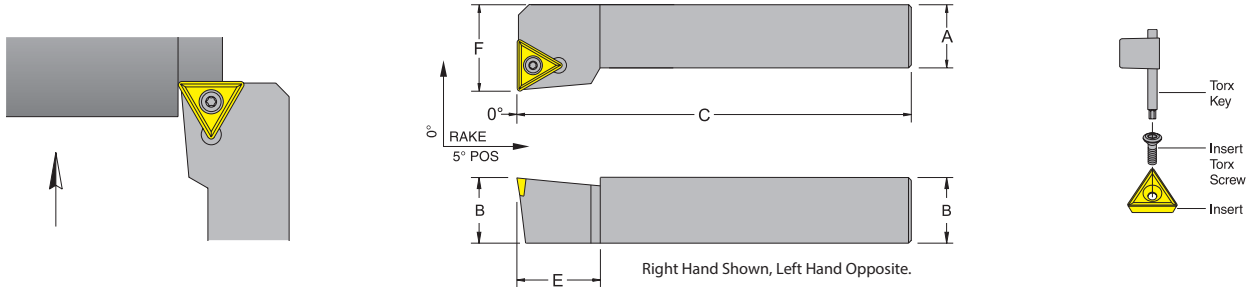


Inch Description	UPC No. 733101-		A	B	C	E	F	TC_T Gage Insert	Insert Torx Screw	Torx Key
	R.H.	L.H.								
STNCR L06-2	51734	51735	0.375	0.375	2.500	0.625	0.375	21.51	TS-25.45-6M2	T-8
STNCR L08-2J	51736	51741	0.500	0.500	3.500	0.625	0.500			
STNCR L10-2A	51738	51747	0.625	0.625	4.000	0.625	0.625			
STNCR L10-2B	51749	-	0.625	0.625	4.500	0.625	0.625	32.52	TS-4.7-10M1	T-15
STNCR L12-3B	51740	-	0.750	0.750	4.500	1.125	0.750			
STNCR L64-3D	51742	-	0.750	1.000	6.000	1.125	0.750			
STNCR L85-4D	51746	-	1.000	1.250	6.000	1.250	1.000	432	TS-5.8-10M1	T-20
STNCR L106-4D	51748	51763	1.250	1.500	6.000	1.250	1.250			

For Turning inserts see pages A-62 - A-91. For spare parts see pages B-91-B-92.

Screw-Lock Toolholders

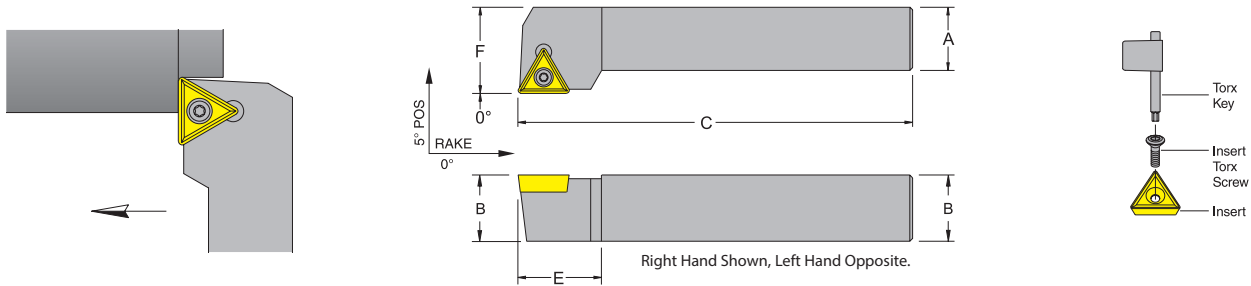
STFP R/L Toolholder Style F - 0° End Cutting Edge Angle for 11° positive triangle TP_T inserts



Inch Description	UPC No. 733101-		A	B	C	E	F	TC_T Gage Insert	Insert Torx Screw	Torx Key
	R.H.	L.H.								
STFPR/L06-2	51764	51765	0.375	0.375	2.500	0.500	0.500	21.51	TS-25.45-6M2	T-8
STFPR/L08-2J	51766	51767	0.500	0.500	3.500	0.500	0.625			

For Turning inserts see pages A-62 - A-91. For spare parts see pages B-91-B-92.

STGP R/L Toolholder Style G - 0° Side Cutting Edge Angle for 11° positive triangle TP_T inserts



Inch Description	UPC No. 733101-		A	B	C	E	F	TC_T Gage Insert	Insert Torx Screw	Torx Key
	R.H.	L.H.								
STGPR/L06-2	51771	51773	0.375	0.375	2.500	0.500	0.500	21.51	TS-25.45-6M2	T-8
STGPR/L08-2J	-	51775	0.500	0.500	3.500	0.500	0.625			

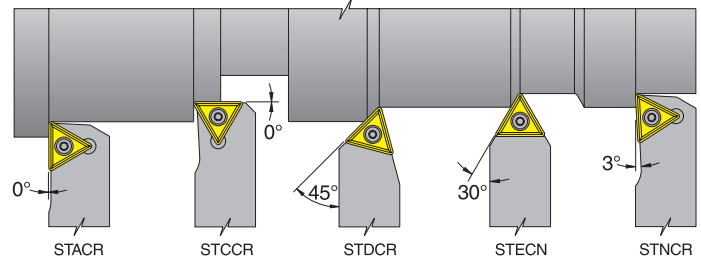
For Turning inserts see pages A-62 - A-91. For spare parts see pages B-91-B-92.

ST5CR Multiple Application Sets

**SAVE MONEY
ON SETS!!**

**1 Insert
+ 5 Tools**
Turning, Facing, Chamfering

We Are Making Turning Simple For You!



- **High Performance** - Positive rake for fast material removal, as well as finishing with low cutting force.
- **Rigidity** - Holder made of heat treated, precision ground alloy steel.

ST5CR Utility Turning Sets For 7° positive triangle TC_T Inserts

Set Offers:

- 5 Toolholders
- 10 Inserts



STECN



STDCR



STNCR



STACR



STCCR

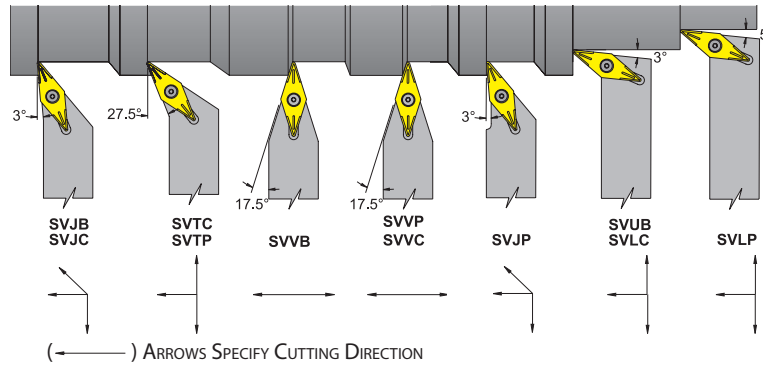


7° positive triangle TC_T
Inserts X 10 pcs.

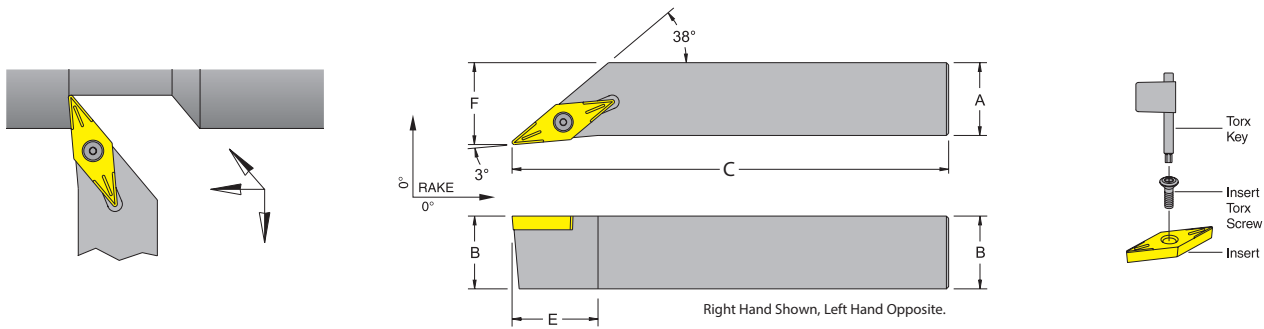
Set UPC No. 733101-	Shank Size	Tool Length	17 Piece Set Includes			
			(5) Toolholder	(10) Inserts	(1) Torx key	(1) Storage Box
85092	0.375	2.5	(1) STACR	TCMT-21.51-PEM-DPC25UT	T-8	Storage Box
85096	0.500	3.5	(1) STCCR			
85100	0.625	4.0	(1) STDCR			
85104	0.750	4.5	(1) STECN	TCMT-32.52-PEM-DPC25UT	T-15	Storage Box
85108	1.000	6.0	(1) STNCR			

For Turning inserts see pages A-62 - A-91. For spare parts see pages B-91-B-92.

SV - Style Toolholders



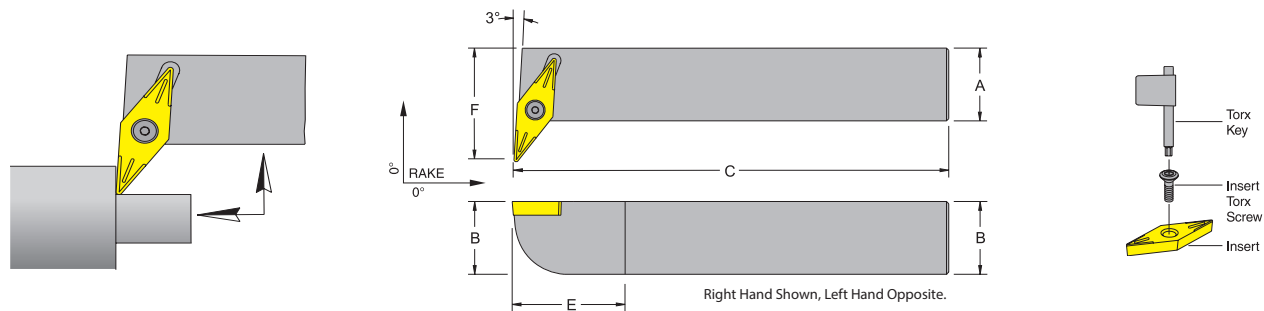
SVJB R/L Toolholder Style J - Negative 3° Side Cutting Edge Angle for 5° positive 35° diamond VB_T inserts



Inch Description	UPC No. 733101-		A	B	C	E	F	VB_T Gage Insert	Insert Torx Screw	Torx Key
	R.H.	L.H.								
SVJBR/L06-2	51984	51985	0.375	0.375	2.500	0.875	0.500	221	TS-25.45-8M2	T-8
SVJBR/L08-2J	51986	51987	0.500	0.500	3.500	0.875	0.625			
SVJBR/L10-2A	51988	51989	0.625	0.625	4.000	0.875	0.750			
SVJBR/L12-3B	52006	52007	0.750	0.750	4.500	1.250	1.000			
SVJBR/L16-3C	52010	52011	1.000	1.000	5.000	1.250	1.250			
SVJBR/L16-3D	52014	52015	1.000	1.000	6.000	1.250	1.250			
SVJBR/L20-3D	-	52019	1.250	1.250	6.000	1.250	1.500	332	TS-4.7-10M1	T-15

For Turning inserts see pages A-62 - A-91. For spare parts see pages B-91-B-92.

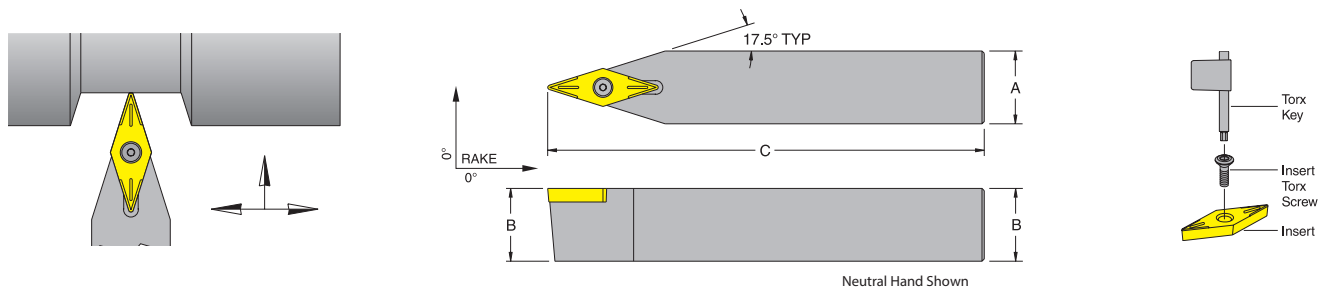
SVUB R/L Toolholder Style U - 3° End Cutting Edge Angle for 5° positive 35° diamond VB_T inserts



Inch Description	UPC No. 733101-		A	B	C	E	F	VB_T Gage Insert	Insert Torx Screw	Torx Key
	R.H.	L.H.								
SVUBR/L08-2J	51996	51997	0.500	0.500	3.500	0.500	0.830	221	TS-25.45-8M2	T-8
SVUBR/L10-2A	51998	51999	0.625	0.625	4.000	0.500	0.955			

For Turning inserts see pages A-62 - A-91. For spare parts see pages B-91-B-92.

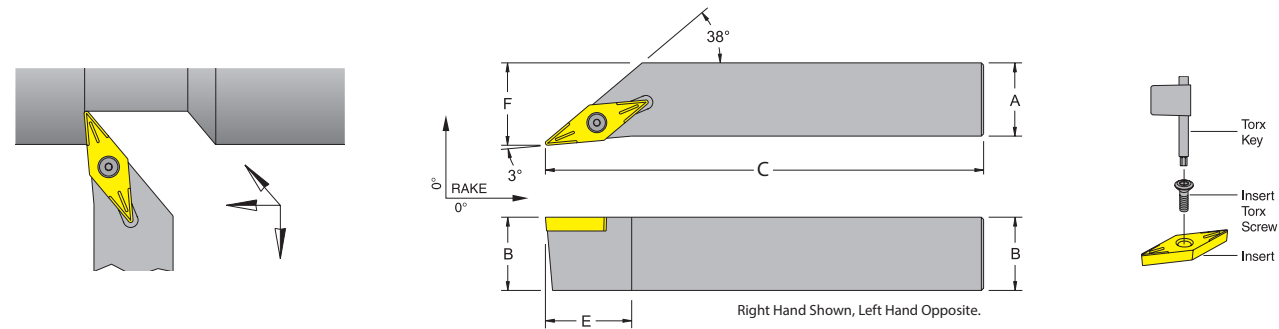
SVVB N Toolholder Style V - 17.5° Side Cutting Edge Angle for 5° positive 35° diamond VB_T inserts



Inch Description	UPC No. 733101- Neutral		A	B	C	VB_T Gage Insert	Insert Torx Screw	Torx Key
SVVBN12-3B	52062		0.750	0.750	4.500	332	TS-4.7-10M1	T-15
SVVBN16-3D	52064		1.000	1.000	6.000			
SVVBN20-3D	52066		1.250	1.250	6.000			

For Turning inserts see pages A-62 - A-91. For spare parts see pages B-91-B-92.

SVJCR R/L Toolholder Style J - Negative 3° Side Cutting Edge Angle for 7° positive 35° diamond VC_T inserts

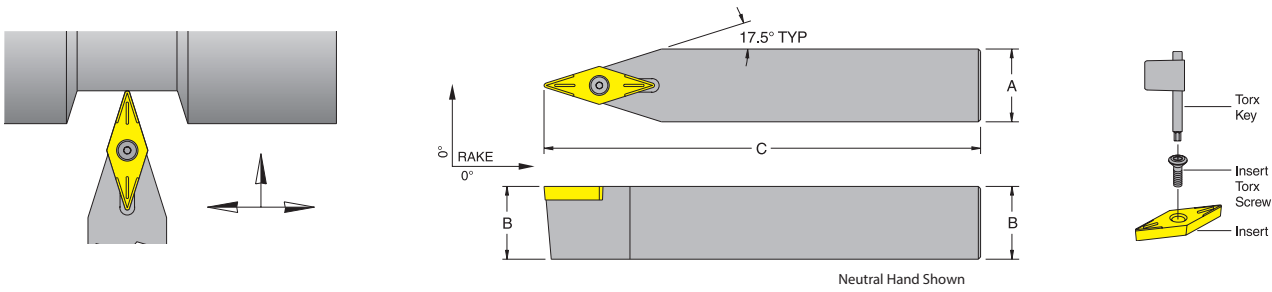


Inch Description	UPC No. 733101- R.H. L.H.		A	B	C	E	F	VC_T Gage Insert	Insert Torx Screw	Torx Key
SVJCR/L06-2J	52028	52029	0.375	0.375	3.500	1.000	0.500	221	TS-25.45-8M2	T-8
SVJCR/L08-2A	52032	52033	0.500	0.500	4.000	1.000	0.625			
SVJCR/L10-2B	52036	52037	0.625	0.625	4.500	1.000	0.750			
SVJCR/L12-3B	52040	52041	0.750	0.750	4.500	1.250	1.000	332	TS-4.7-10M1	T-15
SVJCR/L16-3C	52044	-	1.000	1.000	5.000	1.250	1.250			
SVJCR/L16-3D	52048	52049	1.000	1.000	6.000	1.250	1.250			
SVJCR/L20-3D	52052	-	1.250	1.250	6.000	1.250	1.500			
SVJCR/L16-4D	52054	52055	1.000	1.000	6.000	1.250	1.250	448	TS-43.58-10M1	T-20

For Turning inserts see pages A-62 - A-91. For spare parts see pages B-91-B-92.

Screw-Lock Toolholders

SVVC N Toolholder Style V - 17.5° Side Cutting Edge Angle for 7° positive 35° diamond VC_T inserts

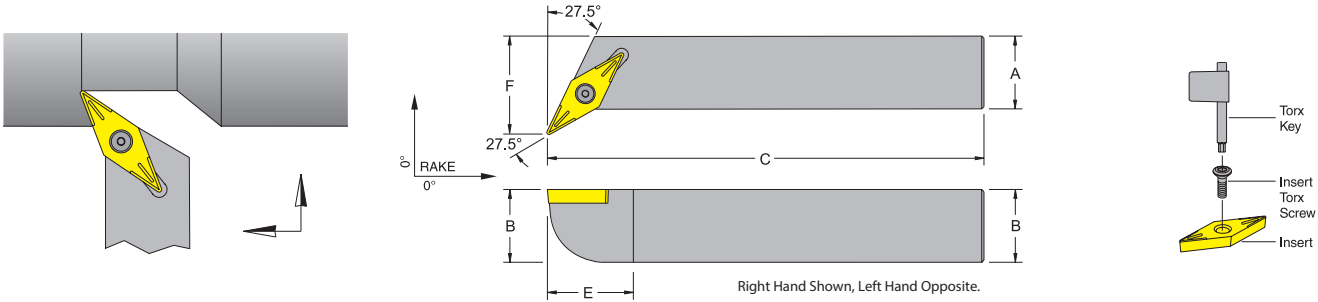


Neutral Hand Shown

Inch Description	UPC No. 733101-		A	B	C	VC_T Gage Insert	Insert Torx Screw	Torx Key
	Neutral							
SVVCN06-2J	52076		0.375	0.375	3.500	221	TS-25.45-8M2	T-8
SVVCN10-2B	52080		0.625	0.625	4.500			
SVVCN12-3B	52082		0.750	0.750	4.500			
SVVCN16-3D	52084		1.000	1.000	6.000	332	TS-4.7-10M1	T-15
SVVCN20-3D	52086		1.250	1.250	6.000			

For Turning inserts see pages A-62 - A-91. For spare parts see pages B-91-B-92.

SVTC R/L Toolholder Style T - 27.5° End Cutting Edge Angle for 7° positive 35° diamond VC_T inserts

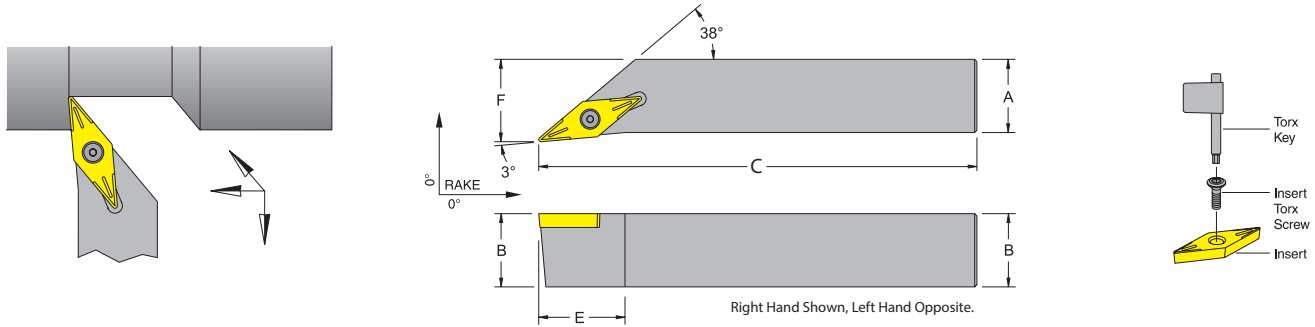


Right Hand Shown, Left Hand Opposite.

Inch Description	UPC No. 733101-		A	B	C	E	F	VC_T Gage Insert	Insert Torx Screw	Torx Key
	R.H.	L.H.								
SVTCR/L16-4D	52102	52103	1.000	1.000	6.000	1.625	1.500	448	TS-5.8-10M1	T-20
SVTCR/L20-4D	52106	52107	1.250	1.250	6.000	1.625	1.750			

For Turning inserts see pages A-62 - A-91. For spare parts see pages B-91-B-92.

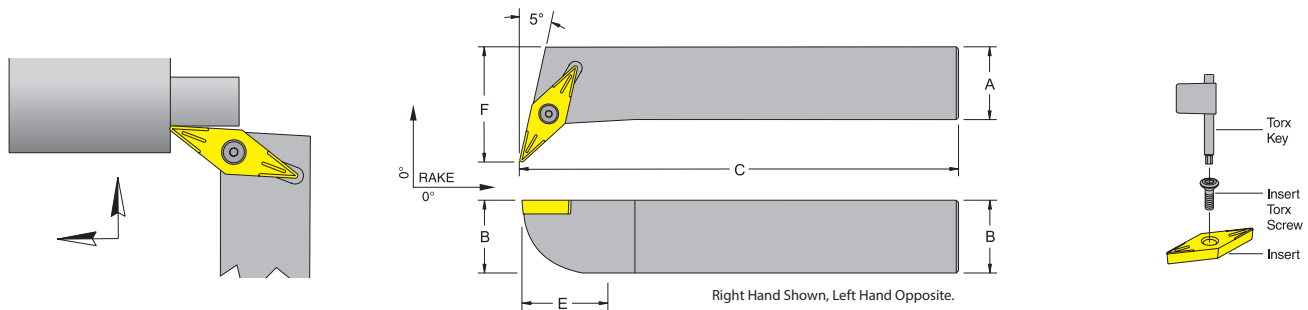
SVJP R/L Toolholder Style J - Negative 3° Side Cutting Edge Angle for 11° positive 35° diamond VP_T inserts



Inch Description	UPC No. 733101-		A	B	C	E	F	VC_T Gage Insert	Insert Torx Screw	Torx Key
	R.H.	L.H.								
SVJPR/L16-4D	52248	-	1.000	1.000	6.000	1.250	1.250	448	TS-5.8-10M1	T-20
SVJPR/L20-4D	52250	52251	1.250	1.250	6.000	1.250	1.500			

For Turning inserts see pages A-62 - A-91. For spare parts see pages B-91-B-92.

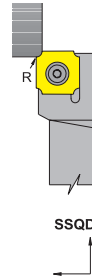
SVLP R/L Toolholder Style L - 5° End Cutting Edge Angle for 11° positive 35° diamond VP_T inserts



Inch Description	UPC No. 733101-		A	B	C	E	F	VP_T Gage Insert	Insert Torx Screw	Torx Key
	R.H.	L.H.								
SVLPR/L16-4D	52274	52275	1.000	1.000	6.000	1.625	1.500	448	TS-5.8-10M1	T-20
SVLPR/L20-4D	52276	52277	1.250	1.250	6.000	1.625	1.750			

For Turning inserts see pages A-62 - A-91. For spare parts see pages B-91-B-92.

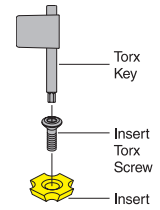
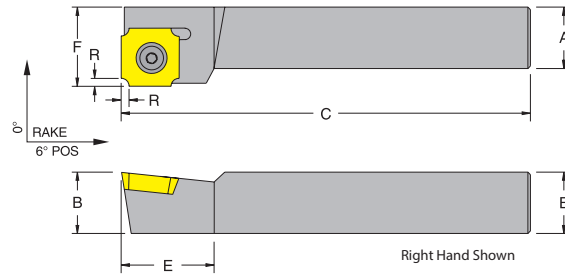
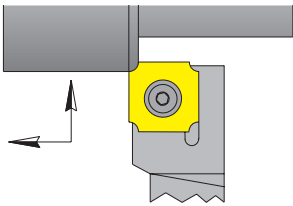
SS - Style Toolholders



Convex Radius Toolholder

(←) ARROWS SPECIFY CUTTING DIRECTION

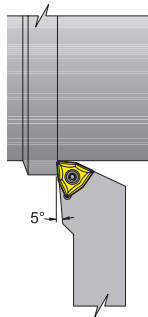
SSQD R Toolholder Style Q - Convex Radius Cutting Edge for 15° positive square convex SDGX inserts



Inch Description	UPC No. 733101-R.H.	A	B	C	E	F	R-Range		SDGX Gage Insert	Insert Torx Screw	Torx Key
							Min.	Max.			
SSQDR12-6B-08	52136	0.750	0.750	4.500	1.250	1.000	.078	.125	19C_	TS-5.8-10M1	T-20
SSQDR16-6D-08	52138	1.000	1.000	6.000	1.250	1.250	.078	.125			
SSQDR20-6D-08	52140	1.250	1.250	6.000	1.250	1.500	.078	.125			
SSQDR12-6B-16	52142	0.750	0.750	4.500	1.250	1.000	.141	.250	19C_	TS-5.8-10M1	T-20
SSQDR16-6D-16	52144	1.000	1.000	6.000	1.250	1.250	.141	.250			
SSQDR20-6D-16	52146	1.250	1.250	6.000	1.250	1.500	.141	.250			

For Turning inserts see pages A-62 - A-91. For spare parts see pages B-91-B-92.

SW - Style Toolholders

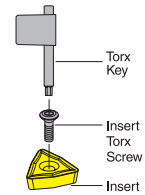
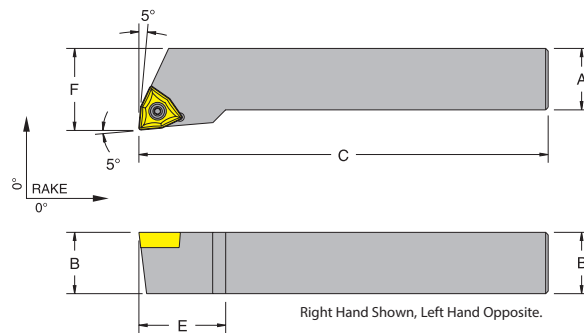
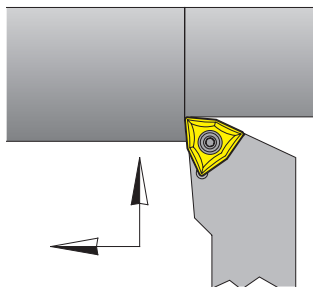


Trigon Toolholder

SWLC

(←) ARROWS SPECIFY CUTTING DIRECTION

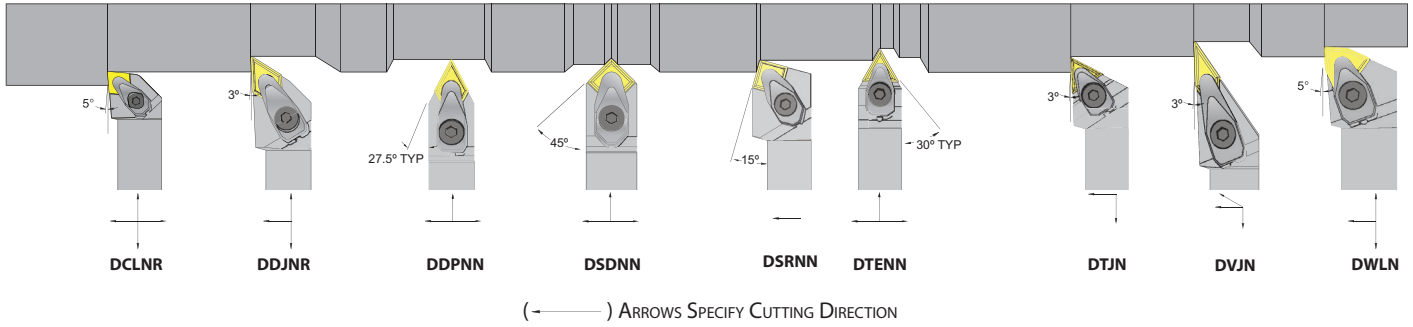
SWLC R/L Toolholder Style L - Negative 5° End or Side Cutting Edge Angle for 7° positive 80° trigon WC_T inserts



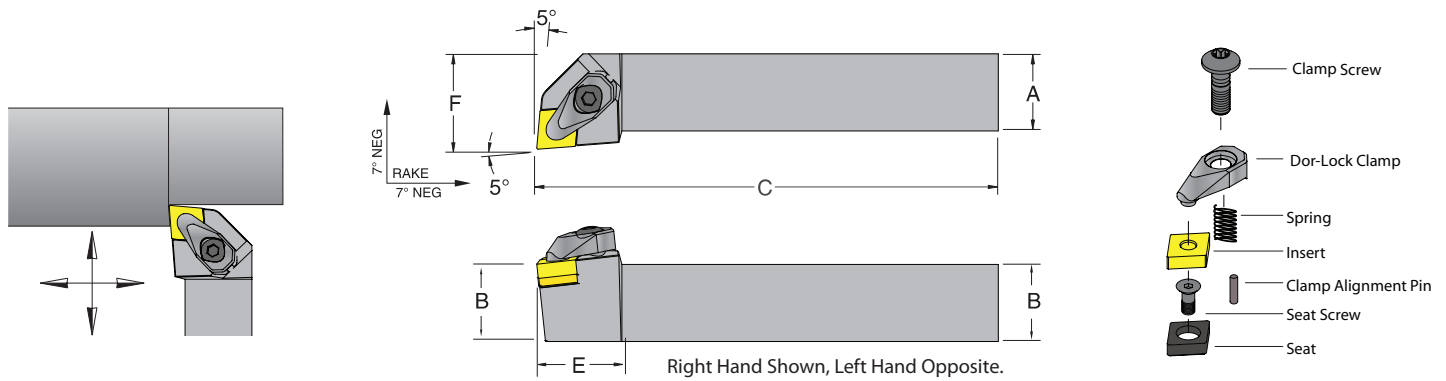
Inch Description	UPC No. 733101-		A	B	C	E	F	WC_T Gage Insert	Insert Torx Screw	Torx Key
	R.H.	L.H.								
SWLCR/L06-2J	52096	52097	0.375	0.375	3.500	0.500	0.500	21.51	TS-25.45-6M2	T-8
SWLCR/L08-3A	52100	52101	0.500	0.500	4.000	0.688	0.625			
SWLCR/L10-3B	52104	52105	0.625	0.625	4.500	0.688	0.750			
SWLCR/L12-3B	52108	52109	0.750	0.750	4.500	0.688	1.000	32.52	TS-4.7-10M1	T-15
SWLCR/L16-3D	52112	-	1.000	1.000	6.000	0.688	1.250			
SWLCR/L12-4B	52116	-	0.750	0.750	4.500	1.000	1.000	432	TS-5.8-10M1	T-20
SWLCR/L16-4D	52120	52121	1.000	1.000	6.000	1.000	1.250			

For Turning inserts see pages A-62 - A-91. For spare parts see pages B-91-B-92.

D- Style Toolholders



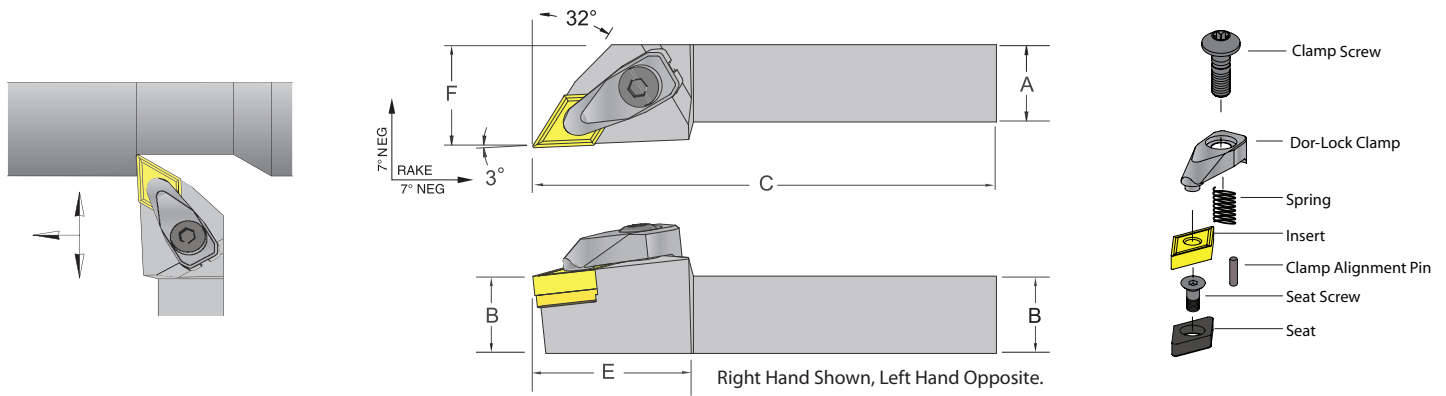
DCLN R/L Toolholder Style L - 5° end or side cutting lead angle for negative 80° diamond CNM_inserts



Inch Description	UPC No. 733101-		A	B	C	E	F	CNM_ Gage Insert	Seat	Seat Screw	Dor-Lock Clamp	Clamp Screw	Clamp Spring
	R.H.	L.H.											
DCLNR/L12-4B	53800	53801	0.75	0.75	4.50	1.250	1.000	432	JC-432	SM-S4	DCTW-4N	DCS-04	DSP-04
DCLNR/L16-4D	53802	53803	1.00	1.00	6.00	1.250	1.250	432	JC-432	SM-S4	DCTW-4N	DCS-04	DSP-04
DCLNR/L20-4D	53804	53805	1.25	1.25	6.00	1.250	1.500	432	JC-432	SM-S4	DCTW-4N	DCS-04	DSP-04

For Turning inserts see pages A-62 - A-91. For spare parts see pages B-91-B-92.

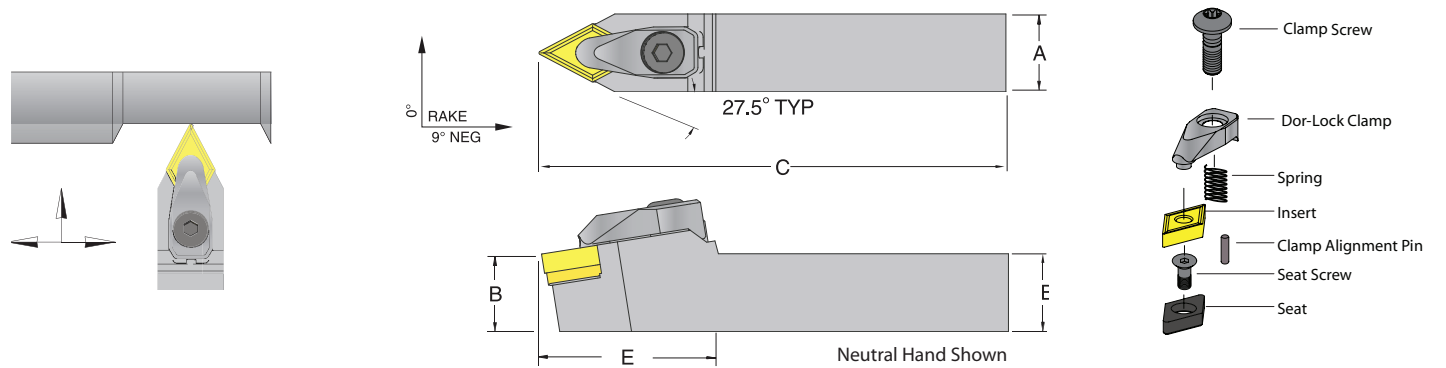
DDJN R/L Toolholder Style J - 3° side cutting lead angle for negative 55° diamond DNM_inserts



Inch Description	UPC No. 733101-		A	B	C	E	F	DNM_ Gage Insert	Seat	Seat Screw	Dor-Lock Clamp	Clamp Screw	Clamp Spring
	R.H.	L.H.											
DDJNR/L12-4B	53810	53811	0.75	0.75	4.50	1.500	1.000	432	JD-432	SM-S4	DD-4N	DCS-04	DSP-04
DDJNR/L16-4D	53812	53813	1.00	1.00	6.00	1.500	1.250	432	JD-432	SM-S4	DD-4N	DCS-04	DSP-04
DDJNR/L20-4D	53814	53815	1.25	1.25	6.00	1.500	1.500	432	JD-432	SM-S4	DD-4N	DCS-04	DSP-04

For Turning inserts see pages A-62 - A-91. For spare parts see pages B-91-B-92.

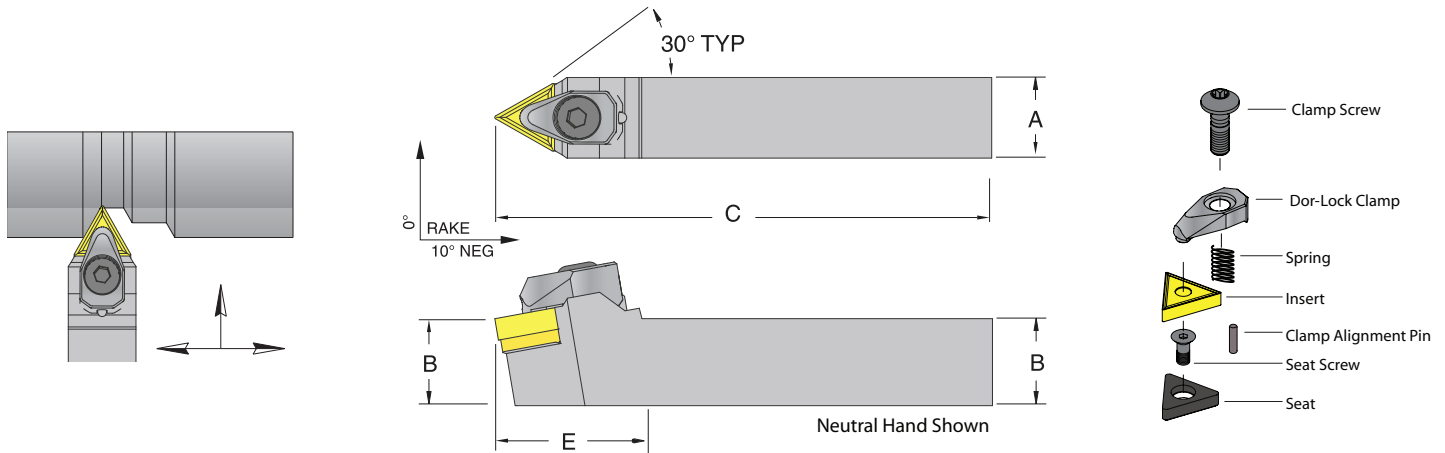
DDPNN Toolholder Style P - 27.5° side cutting lead angle for negative 55° diamond DNM_inserts



Inch Description	UPC No. 733101-	A	B	C	E	DNM_ Gage Insert	Seat	Seat Screw	Dor-Lock Clamp	Clamp Screw	Clamp Spring
	Neutral										
DDPNN12-4B	53816	0.75	0.75	4.50	1.750	432	JD-432	SM-S4	DD-4N	DCS-04	DSP-04
DDPNN16-4D	53817	1.00	1.00	6.00	1.750	432	JD-432	SM-S4	DD-4N	DCS-04	DSP-04
DDPNN20-4D	53818	1.25	1.25	6.00	1.750	432	JD-432	SM-S4	DD-4N	DCS-04	DSP-04

For Turning inserts see pages A-62 - A-91. For spare parts see pages B-91-B-92.

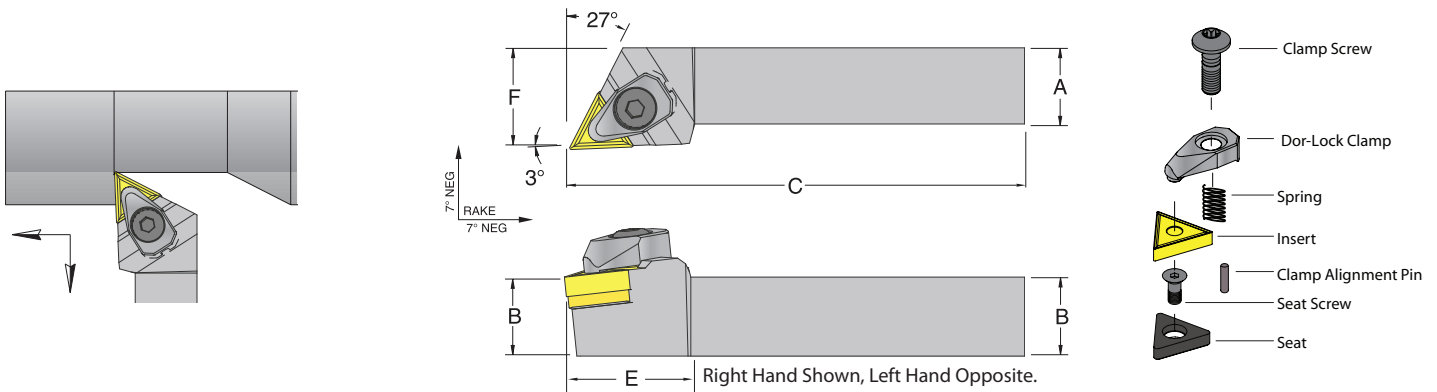
DTENN Toolholder Style E - 30° side cutting lead angle for negative triangle TNM_inserts



Inch Description	UPC No. 733101-		A	B	C	E	TNM_ Gage Insert	Seat	Seat Screw	Dor-Lock Clamp	Clamp Screw	Clamp Spring
	Neutral											
DTENN12-3B	53836		0.75	0.75	4.50	1.375	332	JT-322	SM-M3-T	DCTW-3N	DCS-04	DSP-04
DTENN16-3D	53827		1.00	1.00	6.00	1.375	332	JT-322	SM-M3-T	DCTW-3N	DCS-04	DSP-04
DTENN16-4D	53838		1.00	1.00	6.00	1.375	432	JT-433	SM-S4	DCTW-4N	DCS-04	DSP-04

For Turning inserts see pages A-62 - A-91. For spare parts see pages B-91-B-92.

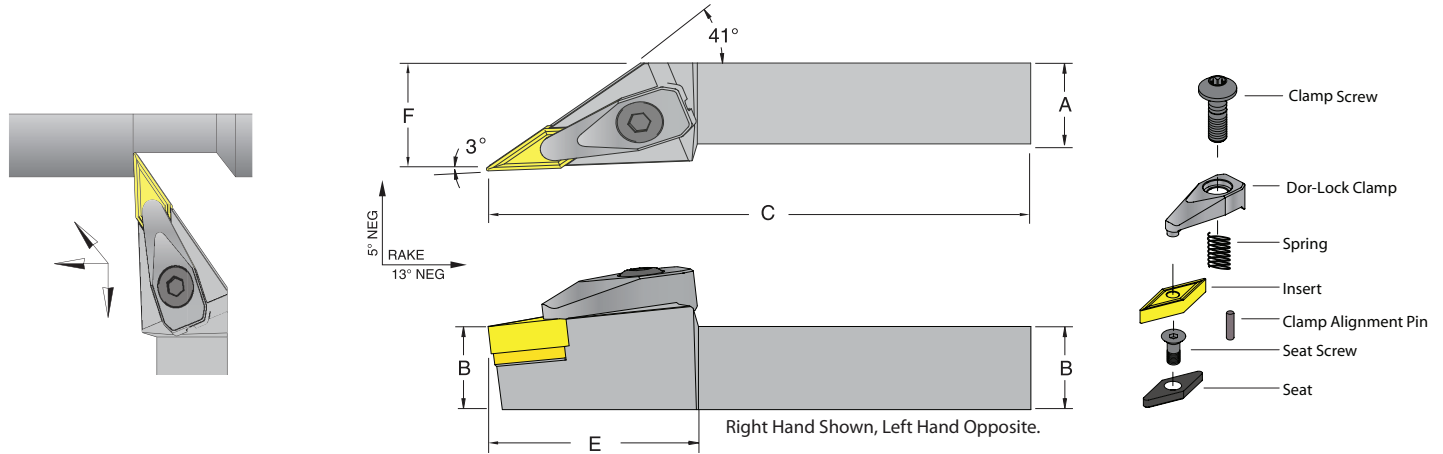
DTJN R/L Toolholder Style J - 3° side cutting lead angle for negative triangle TNM_inserts



Inch Description	UPC No. 733101-		A	B	C	E	F	TNM_ Gage Insert	Seat	Seat Screw	Dor-Lock Clamp	Clamp Screw	Clamp Spring
	R.H.	L.H.											
DTJNR/L12-3B	53828	53829	0.75	0.75	4.50	1.375	1.000	332	JT-322	SM-M3-T	DCTW-3N	DCS-04	DSP-04
DTJNR/L16-3D	53830	53831	1.00	1.00	6.00	1.375	1.250	332	JT-322	SM-M3-T	DCTW-3N	DCS-04	DSP-04
DTJNR/L16-4D	53832	53833	1.00	1.00	6.00	1.375	1.250	432	JT-433	SM-S4	DCTW-4N	DCS-04	DSP-04

For Turning inserts see pages A-62 - A-91. For spare parts see pages B-91-B-92.

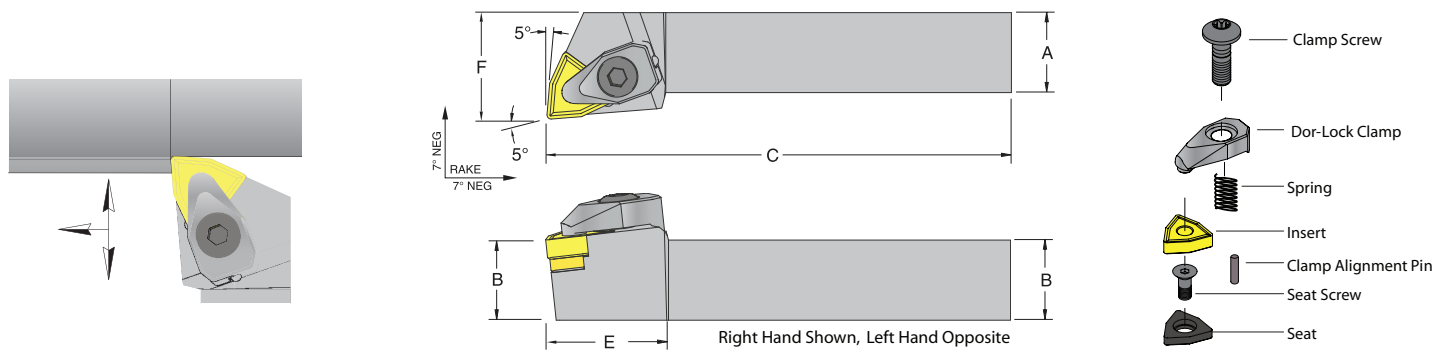
DVJN R/L Toolholder Style J - Negative 3° side cutting lead angle for negative 35° diamond VNM_inserts



Inch Description	UPC No. 733101-		A	B	C	E	F	VNM_ Gage Insert	Seat	Seat Screw	Dor-Lock Clamp	Clamp Screw	Clamp Spring
	R.H.	L.H.											
DVJNR/L12-3B	53840	53841	0.75	0.75	4.50	1.750	1.000	332	JV-322	SM-M3	DV-3N	DCS-04	DSP-04
DVJNR/L16-3D	53842	53843	1.00	1.00	6.00	1.750	1.250	332	JV-322	SM-M3	DV-3N	DCS-04	DSP-04
DVJNR/L20-3D	53844	53845	1.25	1.25	6.00	1.750	1.500	332	JV-322	SM-M3	DV-3N	DCS-04	DSP-04

For Turning inserts see pages A-62 - A-91. For spare parts see pages B-91-B-92.

DWLN R/L Toolholder Style L - Negative 5° end or side cutting lead angle for negative 80° trigon WNM_inserts



Inch Description	UPC No. 733101-		A	B	C	E	F	WNM_ Gage Insert	Seat	Seat Screw	Dor-Lock Clamp	Clamp Screw	Clamp Spring
	R.H.	L.H.											
DWLNRL12-4B	53848	53849	0.75	0.75	4.50	1.250	1.000	432	IWSN-433	SM-S4	DCTW-4N	DCS-04	DSP-04
DWLNRL16-4D	53852	53853	1.00	1.00	6.00	1.250	1.250	432	IWSN-433	SM-S4	DCTW-4N	DCS-04	DSP-04

For Turning inserts see pages A-62 - A-91. For spare parts see pages B-91-B-92.

NOTES:



**"M" - Multi-Lock
Boring System**

Page B-64 - B-70

- Maximum rigidity
- Utilizes lock pin and clamp
- Holds insert and seat secure for less vibration



**"C" - Clamp-Lock
Boring System**

Page B-70

- Excellent locking ability
- Easier to index or change insert without the lock pin
- Allows for an optional chipbreaker to be placed on the insert

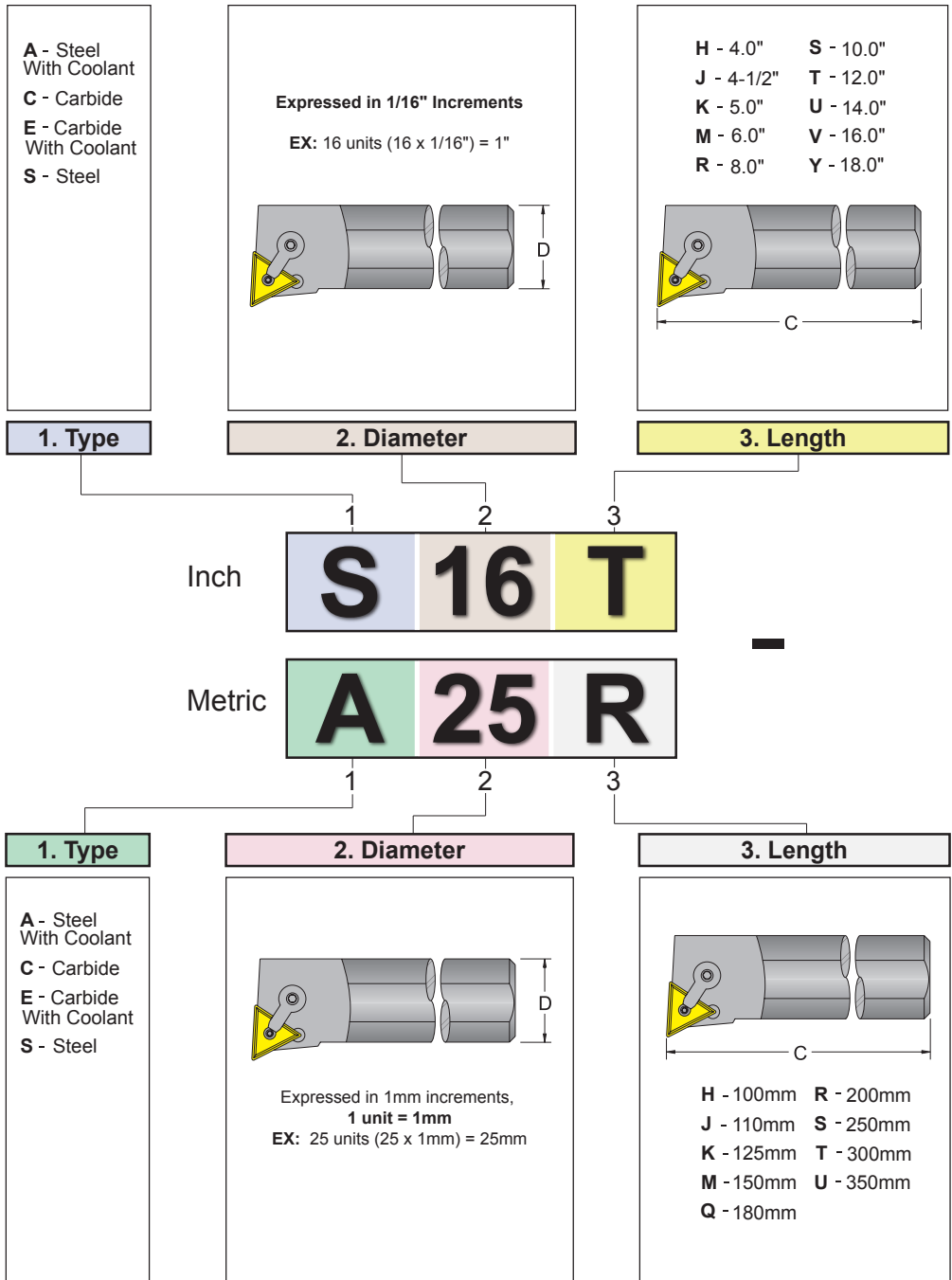


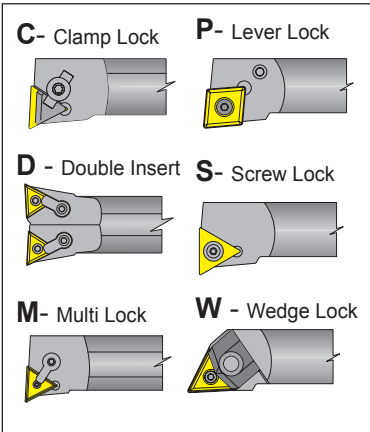
**"S" - Screw-Lock
Boring System**

Page B-71 - B-81

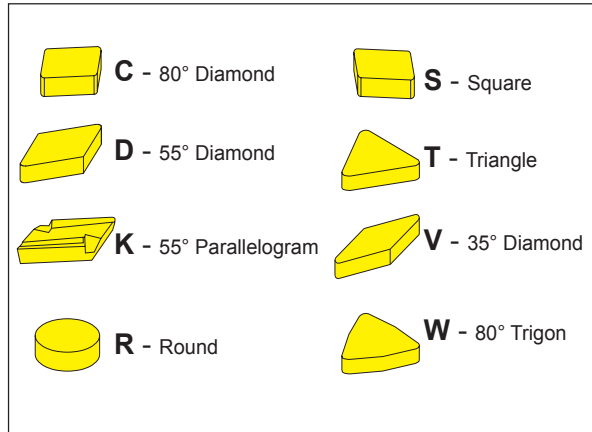
- Easy to index insert
- Uses Torx screw for a secure lock with more force

Boring Bar Identification System

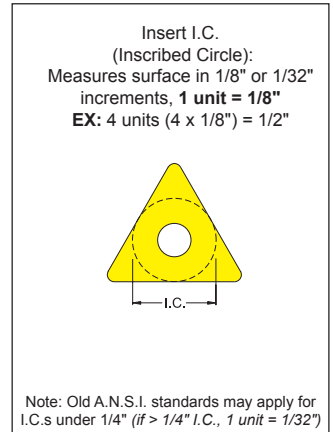




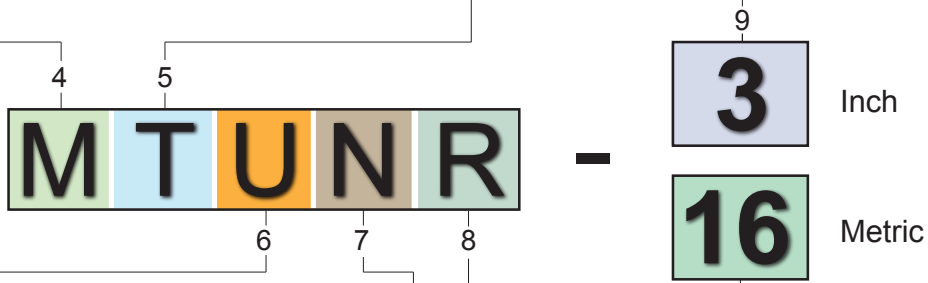
4. Holding Method



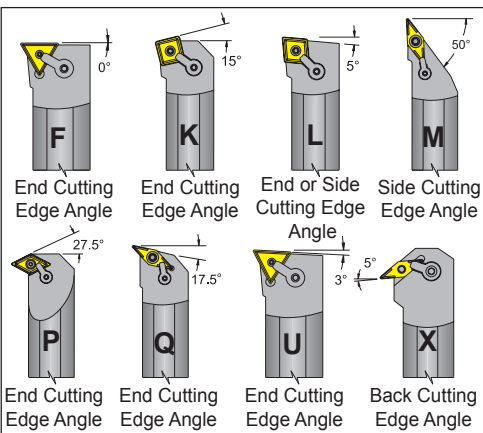
5. Insert Geometry



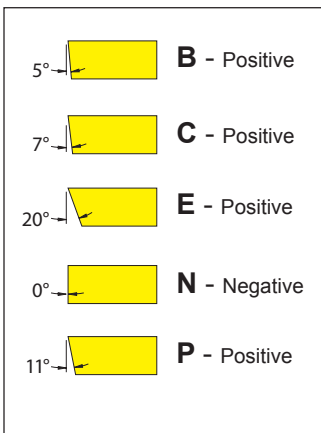
9. Insert Size I.C.



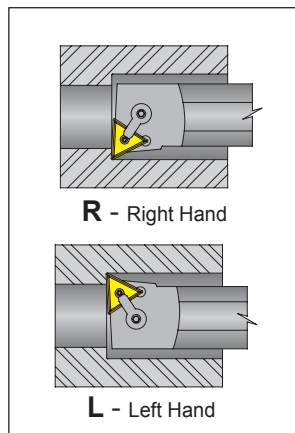
6. Tool Style



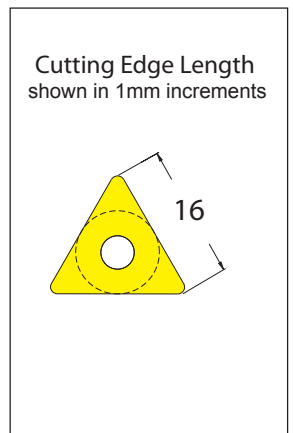
7. Insert Clearance Angle



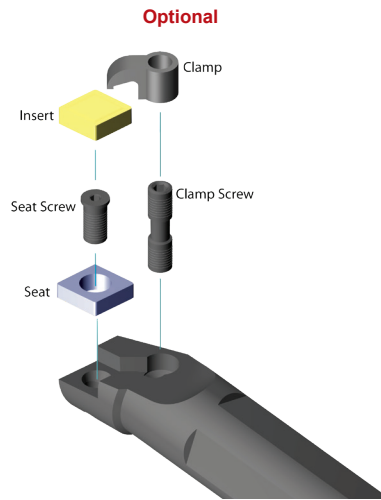
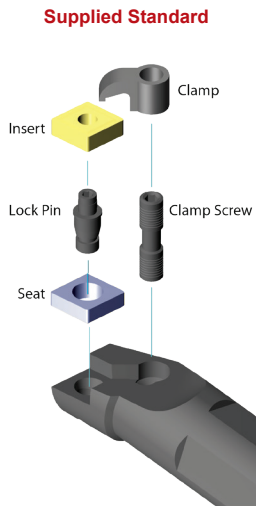
8. Hand of Tool



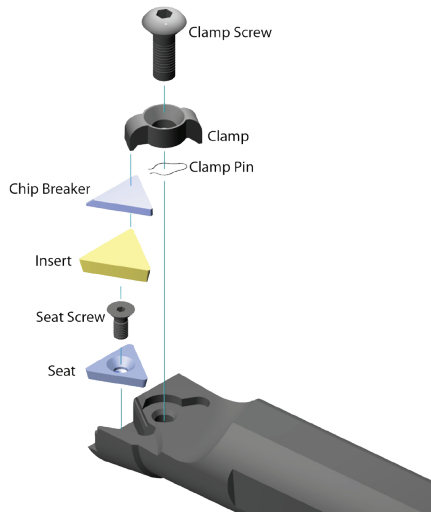
9. Insert Size



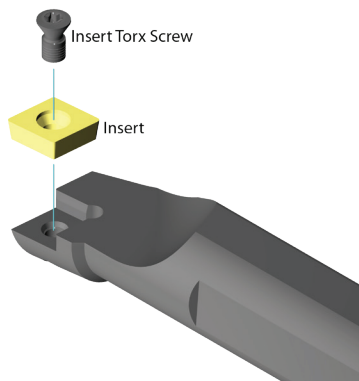
**"M" - Multi-Lock Boring Bar System
Spare Parts**



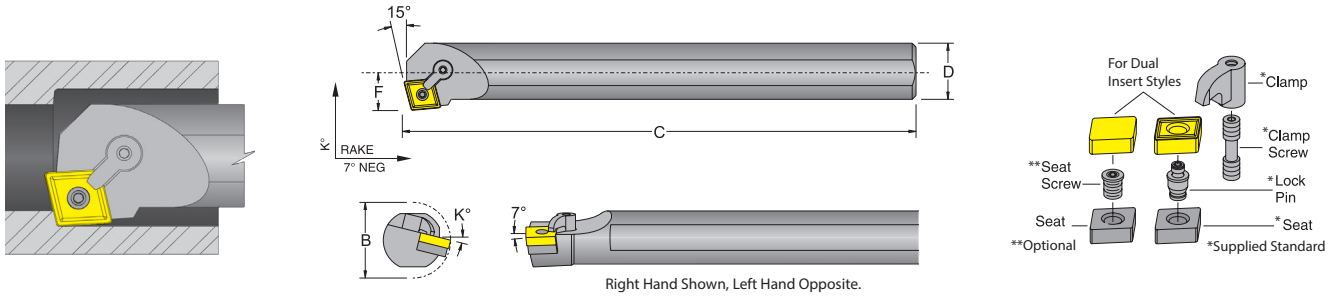
**"C" - Clamp-Lock Boring Bar System
Spare Parts**



**"S" - ISO Screw-Lock Boring Bar System
Spare Parts**



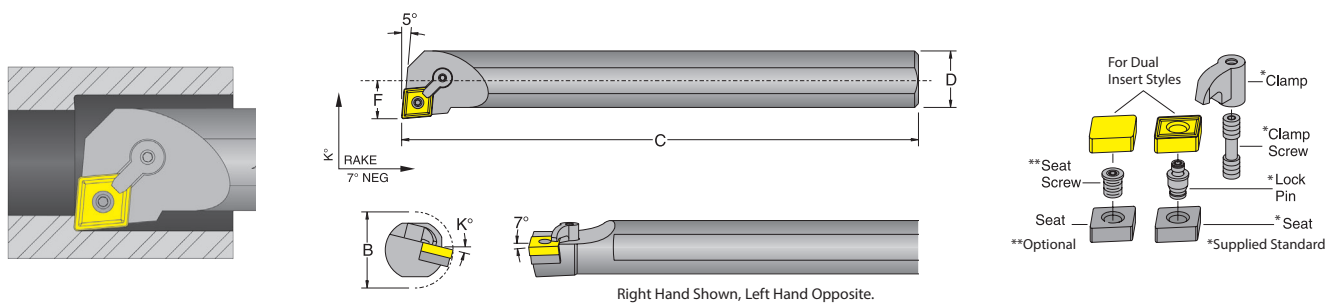
S-MCKN R/L Boring Bar Style K - Negative 15° End Cutting Edge Angle for negative 80° diamond CNM_ inserts



Inch Description	UPC No. 733101-		Min. Bore B	C	D	F	K°	CNM_ Gage Insert	Seat	Lock Pin	Clamp	Clamp Screw	Optional Seat Screw
	R.H.	L.H.											
S20U-MCKNR/L-4	54992	54993	1.470	14.0	1.25	0.765	14°	432	-	NL-44	CL-20	XNS-48	-
S24U-MCKNR/L-4	54994	54995	1.760	14.0	1.50	0.890	12°	432	ICSN-433	NL-46	CL-20	XNS-48	S-46
S32V-MCKNR/L-4	54996	54997	2.400	16.0	2.00	1.281	8°	543	ICSN-533	NL-58	CL-12	XNS-510	S-58
S32V-MCKNR/L-5	54998	54999	2.400	16.0	2.00	1.281	10°						

For Turning inserts see pages A-62 - A-91. For spare parts see pages B-91-B-92.

S-MCLN R/L Boring Bar Style L - Negative 5° Side & End Cutting Edge Angle for negative 80° diamond CNM_ inserts

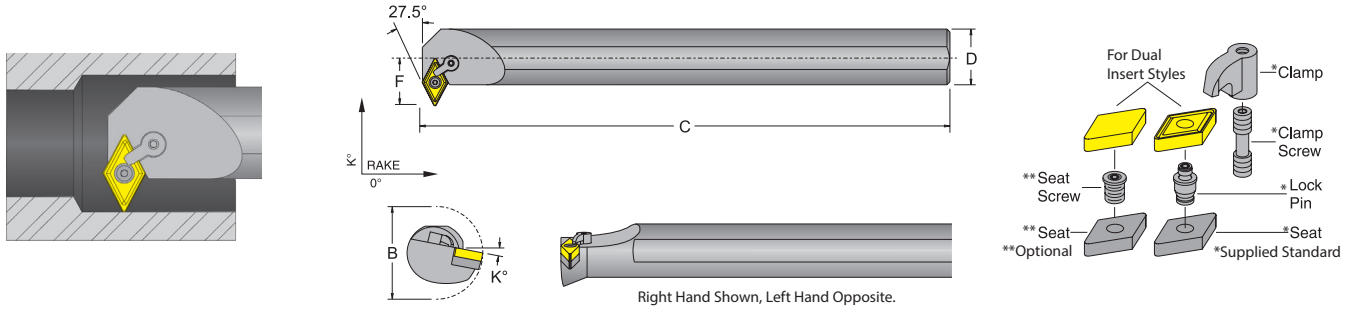


Inch Description	UPC No. 733101-		Min. Bore B	C	D	F	K°	CNM_ Gage Insert	Seat	Lock Pin	Clamp	Clamp Screw	Optional Seat Screw
	R.H.	L.H.											
S12S-MCLNR/L-3	55002	55003	1.000	10.0	0.75	0.500	10°	322	-	NL-33	CL-6	XNS-36	-
S16T-MCLNR/L-3	55004	55005	1.280	12.0	1.00	0.640	10°	432	-	NL-44	CL-7	XNS-36	-
S12S-MCLNR/L-4	55006	55007	1.000	10.0	0.75	0.500	14°	432	-	NL-44	CL-20	XNS-48	-
S16T-MCLNR/L-4	55010	55011	1.280	12.0	1.00	0.640	14°	432	ICSN-433	NL-46	CL-20	XNS-48	S-46
S20U-MCLNR/L-4	55014	55015	1.530	14.0	1.25	0.765	14°	432	ICSN-433	NL-46	CL-20	XNS-48	S-46
S24U-MCLNR/L-4	55018	55019	1.780	14.0	1.50	0.890	11°	432	ICSN-433	NL-46	CL-20	XNS-48	S-46
S28U-MCLNR/L-4	55022	55023	2.030	14.0	1.75	1.015	11°	432	ICSN-433	NL-46	CL-20	XNS-48	S-46
S32V-MCLNR/L-4	55024	55025	2.562	16.0	2.00	1.281	11°	432	ICSN-433	NL-46	CL-20	XNS-48	S-46
S24U-MCLNR/L-5	55026	55027	2.374	14.0	1.50	1.187	11°	543	ICSN-533	NL-58	CL-12	XNS-510	S-58
S32V-MCLNR/L-5	55030	55031	2.562	16.0	2.00	1.281	11°	543	ICSN-533	NL-58	CL-12	XNS-510	S-58
S40V-MCLNR/L-5	55034	55035	3.062	16.0	2.50	1.531	11°	543	ICSN-533	NL-58	CL-12	XNS-510	S-58
S48Y-MCLNR/L-5	55038	55039	3.562	18.0	3.00	1.781	11°	543	ICSN-533	NL-58	CL-12	XNS-510	S-58
S32V-MCLNR/L-6	55042	55043	2.562	16.0	2.00	1.281	11°	643	ICSN-633	NL-68	CL-12	XNS-510	S-68
S36V-MCLNR-6	55046	-	2.812	16.0	2.25	1.406	11°	643	ICSN-633	NL-68	CL-12	XNS-510	S-68
S40V-MCLNR/L-6	55050	55051	3.062	16.0	2.50	1.531	11°	643	ICSN-633	NL-68	CL-12	XNS-510	S-68

For Turning inserts see pages A-62 - A-91. For spare parts see pages B-91-B-92.

Multi-Lock Negative Insert Boring Bars

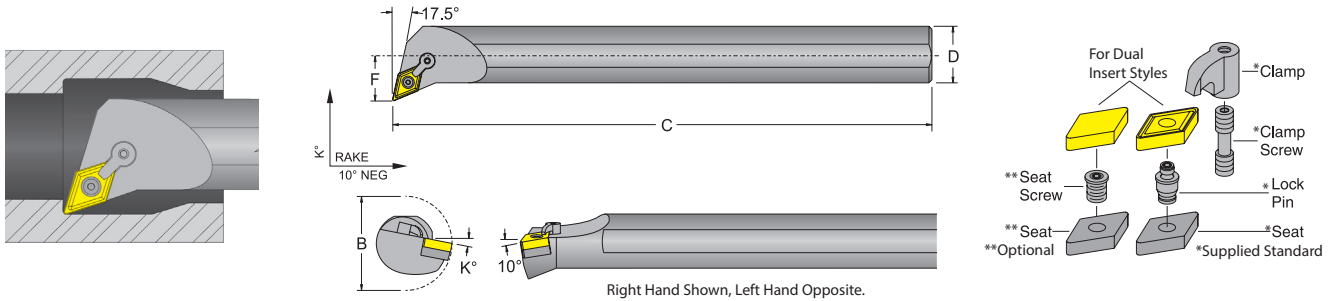
S-MDPN R/L Boring Bar Style P - Negative 27.5° End Cutting Edge Angle for negative 55° diamond DNM_ inserts



Inch Description	UPC No. 733101-		Min. Bore B	C	D	F	K°	DNM_ Gage Insert	Seat	Lock Pin	Clamp	Clamp Screw	Optional Seat Screw
	R.H.	L.H.											
S20U-MDPNR/L-4	55053	55054	1.705	14.0	1.25	1.000	13°	432	IDSN-433	NL-46	CL-20	XNS-47	S-46
S24U-MDPNR/L-4	55055	55056	2.000	14.0	1.50	1.125	10°						

For Turning inserts see pages A-62 - A-91. For spare parts see pages B-91-B-92.

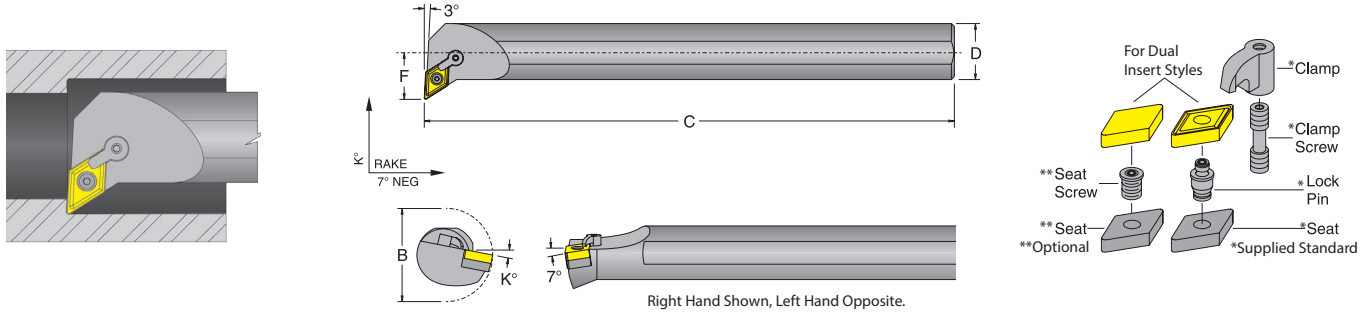
S-MDQN R/L Boring Bar Style Q - Negative 17.5° End Cutting Edge Angle for negative 55° diamond DNM_ inserts



Inch Description	UPC No. 733101-		Min. Bore B	C	D	F	K°	DNM_ Gage Insert	Seat	Lock Pin	Clamp	Clamp Screw	Optional Seat Screw
	R.H.	L.H.											
S20U-MDQNR-4	55057	-	1.705	14.0	1.25	1.000	12°	432	IDSN-433	NL-46	CL-12	XNS-59	S-46
S24U-MDQNR/L-4	55059	55060	2.000	14.0	1.50	1.125	8.5°						

For Turning inserts see pages A-62 - A-91. For spare parts see pages B-91-B-92.

S-MDUN R/L Boring Bar Style U - Negative 3° End Cutting Edge Angle for negative 55° diamond DNM_ inserts

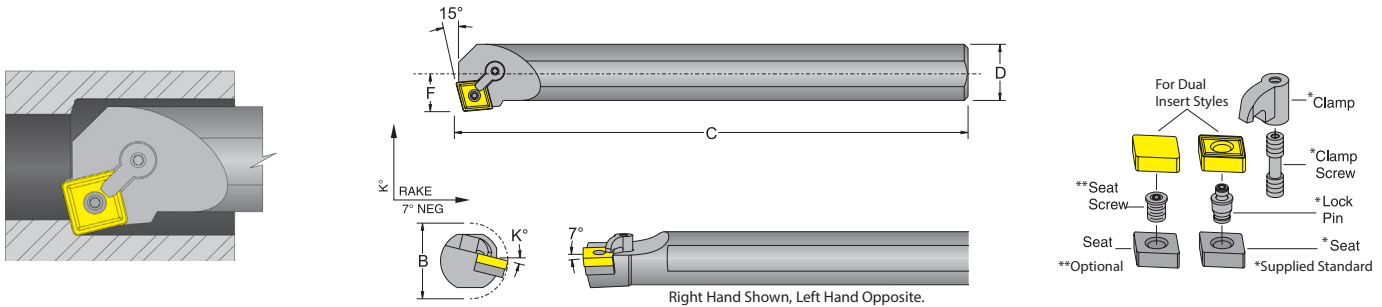


Right Hand Shown, Left Hand Opposite.

Inch Description	UPC No. 733101-		Min. Bore B	C	D	F	K°	DNM_ Gage Insert	Seat	Lock Pin	Clamp	Clamp Screw	Optional Seat Screw
	R.H.	L.H.											
S16T-MDUNR/L-3	55066	55067	1.300	12.0	1.00	0.750	11°	332	-	NL-33	CL-7	XNS-36	-
S20U-MDUNR/L-4	55070	55071	2.00	14.0	1.25	1.000	11°	432	IDSN-433	NL-46	CL-12	XNS-59	S-46
S24U-MDUNR/L-4	55074	55075	2.25	14.0	1.50	1.125	11°						
S28U-MDUNR/L-4	55078	55079	2.50	14.0	1.75	1.250	11°						
S32V-MDUNR/L-4	55082	55083	3.00	16.0	2.00	1.375	11°						
S32V-MDUNR/L-5	55090	55091	3.00	16.0	2.00	1.500	11°	543	IDSN-533	NL-58	CL-30	XNS-510	S-58
S36V-MDUNR/L-5	55094	55095	3.25	16.0	2.25	1.625	11°						
S40V-MDUNR/L-5	55098	55099	3.50	16.0	2.50	1.750	11°						

For Turning inserts see pages A-62 - A-91. For spare parts see pages B-91-B-92.

S-MSKN R/L Boring Bar Style K - 15° End Cutting Edge Angle for negative square SNM_ inserts



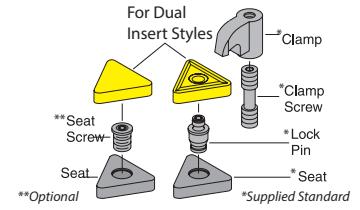
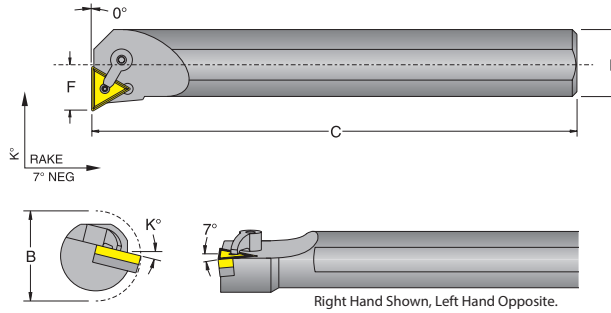
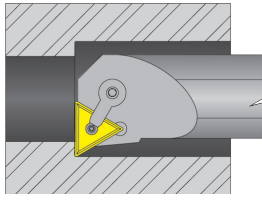
Right Hand Shown, Left Hand Opposite.

Inch Description	UPC No. 733101-		Min. Bore B	C	D	F	K°	SNM_ Gage Insert	Seat	Lock Pin	Clamp	Clamp Screw	Optional Seat Screw
	R.H.	L.H.											
S20U-MSKNR/L-4	55100	55101	1.47	14.0	1.25	0.765	14°	432	-	NL-44	CL-20	XNS-47	-
S24U-MSKNR/L-4	55102	55103	1.76	14.0	1.50	0.890	10°	432	ISSN-433	NL-46	CL-20	XNS-47	S-46
S28U-MSKNR-4	55104	-	2.01	14.0	1.75	1.015	10°						
S32V-MSKNR/L-6	55106	55107	2.40	16.0	2.00	1.281	12°	643	ISSN-633	NL-68	CL-12	XNS-510	S-68
S40V-MSKNR/L-6	55108	55109	3.03	16.0	2.50	1.531	10°						

For Turning inserts see pages A-62 - A-91. For spare parts see pages B-91-B-92.

Multi-Lock Negative Insert Boring Bars

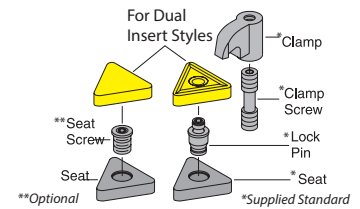
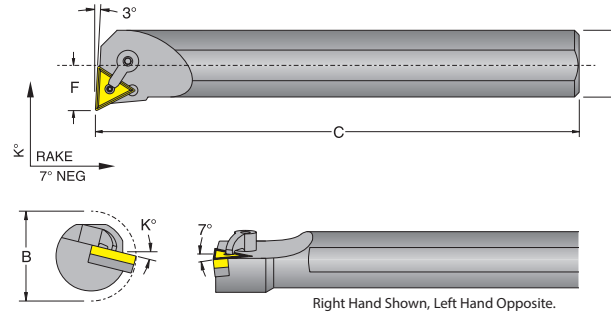
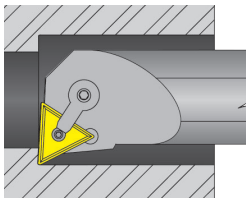
S-MTFN R/L Boring Bar Style F - 0° End Cutting Edge Angle for negative triangle TNM_ inserts



Inch Description	UPC No. 733101-		Min. Bore B	C	D	F	K°	TNM_	Seat	Lock Pin	Clamp	Clamp Screw	Optional Seat Screw
	R.H.	L.H.						Gage Insert					
S12S-MTFNR-3	55150	-	1.000	10.0	0.75	0.500	14°	322	-	NL-33	CL-7	XNS-36	-
S16T-MTFNR/L-3	55154	55155	1.280	12.0	1.00	0.640	14°	322 332	ITSN-333 ITSN-322	NL-34L NL-34L	CL-7 CL-7	XNS-36 XNS-36	S-34 S-34
S20U-MTFNR/L-3	55158	55159	1.530	14.0	1.25	0.765	14°						
S24U-MTFNR-3	55162	-	1.780	14.0	1.50	0.890	11°	432	ITSN-433	NL-46	CL-9	XNS-59	S-46
S28U-MTFNR/L-3	55166	55167	2.030	14.0	1.75	1.015	11°						
S20U-MTFNR/L-4	55170	55171	1.530	14.0	1.25	0.765	14°						
S24U-MTFNR/L-4	55174	55175	2.060	14.0	1.50	0.890	11°						
S28U-MTFNR/L-4	55178	55179	2.312	14.0	1.75	1.156	11°						
S32V-MTFNR/L-4	55182	55183	2.562	16.0	2.00	1.281	11°						
S36V-MTFNR-4	55186	-	2.812	16.0	2.25	1.406	11°	432	ITSN-433	NL-46	CL-9	XNS-59	S-46
S40V-MTFNR/L-4	55190	55191	3.062	16.0	2.50	1.531	11°						
S48Y-MTFNR/L-4	55194	55195	3.562	18.0	3.00	1.781	11°						

For Turning inserts see pages A-62 - A-91. For spare parts see pages B-91-B-92.

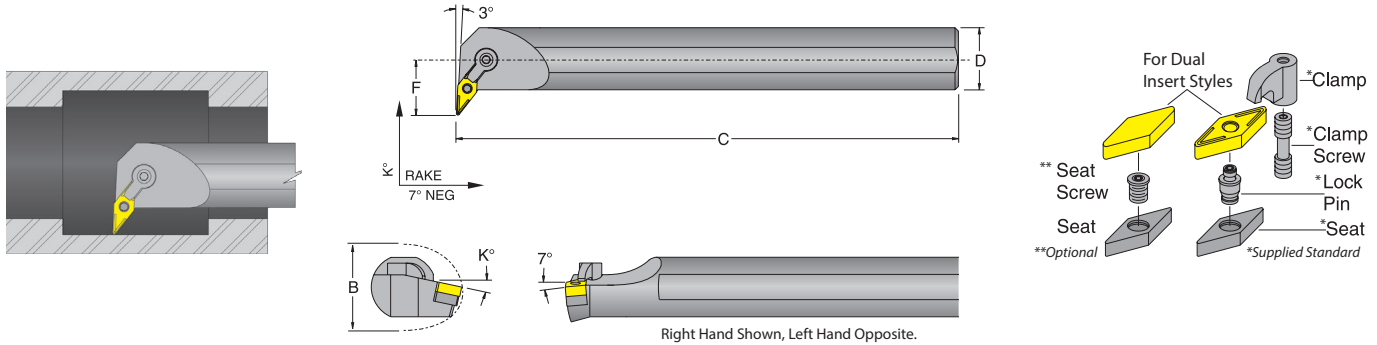
S-MTUN R/L Boring Bar Style U - Negative 3° End Cutting Edge Angle for negative triangle TNM_ inserts



Inch Description	UPC No. 733101-		Min. Bore B	C	D	F	K°	TNM_	Seat	Lock Pin	Clamp	Clamp Screw	Optional Seat Screw
	R.H.	L.H.						Gage Insert					
S12S-MTUNR/L-3	55204	55205	1.000	10.0	0.75	0.500	14°	322	-	NL-33	CL-6	XNS-36	-
S16T-MTUNR/L-3	55208	55209	1.280	12.0	1.00	0.640	14°	322 332	ITSN-333 ITSN-322	NL-34L NL-34L	CL-7 CL-7	XNS-36 XNS-36	S-34 S-34
S20U-MTUNR/L-3	55212	55213	1.530	14.0	1.25	0.765	14°						
S24U-MTUNR/L-3	55216	55217	2.060	14.0	1.50	0.890	11°	432	ITSN-433	NL-46	CL-9	XNS-59	S-46
S20U-MTUNR/L-4	55220	55221	1.530	14.0	1.25	0.765	14°						
S24U-MTUNR/L-4	55224	55225	2.060	14.0	1.50	0.890	11°						
S32V-MTUNR/L-4	55228	55229	2.562	16.0	2.00	1.281	11°						
S40V-MTUNR/L-4	55232	55233*	3.062	16.0	2.50	1.531	11°						

For Turning inserts see pages A-62 - A-91. For spare parts see pages B-91-B-92.

S-MVUN R/L Boring Bar Style U - Negative 3° Side Cutting Edge Angle for negative 35° diamond VNM_ inserts

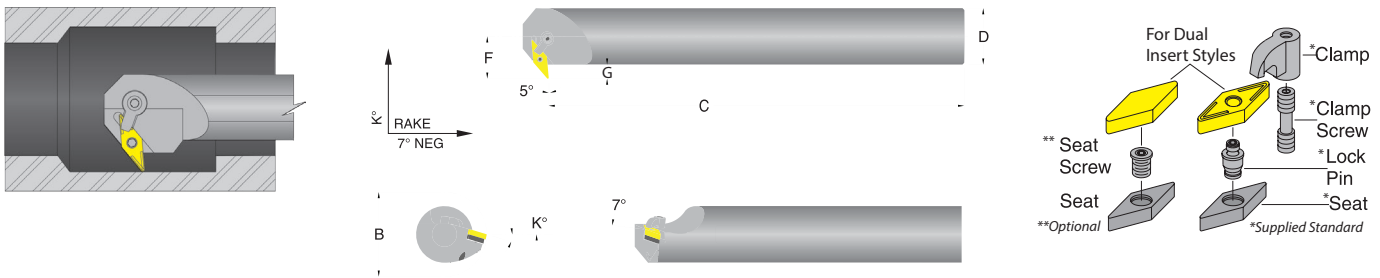


Right Hand Shown, Left Hand Opposite.

Inch Description	UPC No. 733101-		Min.Bore B	C	D	F	K°	VNM_ Gage Insert	Seat	Lock Pin	Clamp	Clamp Screw	Optional Seat Screw
	R.H.	L.H.											
S16T-MVUNR/L-3	55266	55267	2.00	12.0	1.00	1.000	14°	332	IVSN-322	NL-34L	CL-30	XNS-59	S-34
S20U-MVUNR/L-3	55270	55271	2.25	14.0	1.25	1.125	14°						
S24U-MVUNR/L-3	55274	55275	2.50	14.0	1.50	1.250	11°	332	IVSN-322	NL-34L	CL-30	XNS-510	S-34
S28U-MVUNR/L-4	55278	55279	3.00	14.0	1.75	1.500	11°						
S32V-MVUNR/L-4	55282	55283	3.25	16.0	2.00	1.625	11°	432	IVSN-433	NL-46	CL-30	XNS-510	S-46
S40V-MVUNR/L-4	55290	55291	3.75	16.0	2.50	1.875	11°						

For Turning inserts see pages A-62 - A-91. For spare parts see pages B-91-B-92.

S-MVXN R/L Boring Bar Style X - Negative 5° Back Boring Cutting Edge Angle for negative 35° diamond VNM_ inserts

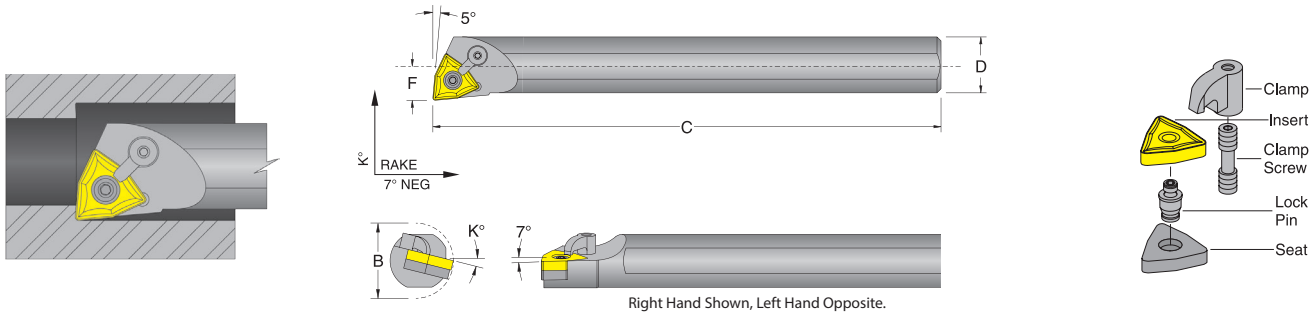


Inch Description	UPC No. 733101-		Min.Bore B	C	D	F	G	K°	VNM_ Gage Insert	Seat	Lock Pin	Clamp	Clamp Screw	Optional Seat Screw
	R.H.	L.H.												
S24U-MVXNR/L-3	55300	55301	2.25	14.0	1.50	1.125	.375	11°	332	IVSN-322	NL-34L	CL-20	XNS-48	S-34
S28U-MVXNR/L-3	55304	55305	2.50	14.0	1.75	1.250	.375	11°						
S32V-MVXNR-4	55308	-	3.00	16.0	2.00	1.500	.500	11°	432	IVSN-433	NL-46	CL-12	XNS-510	S-46

For Turning inserts see pages A-62 - A-91. For spare parts see pages B-91-B-92.

Multi-Lock Negative Insert & Clamp-Lock Positive Insert Boring Bars

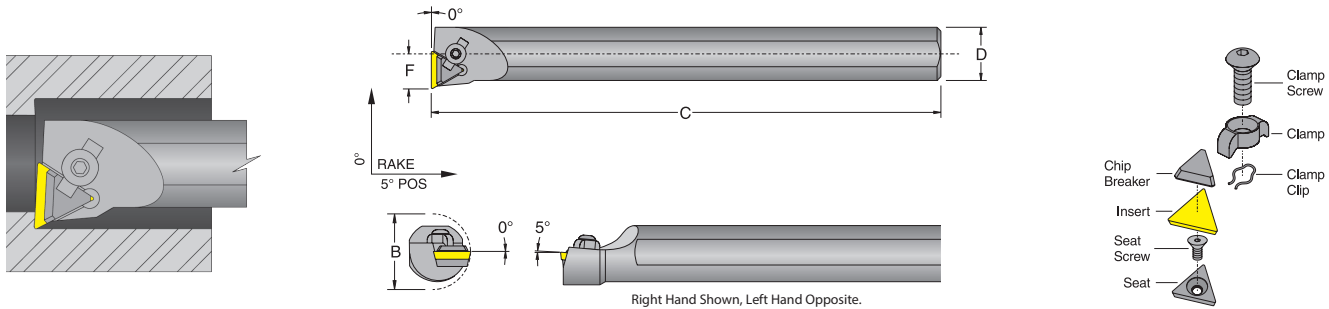
S-MWLN R/L Boring Bar Style L - Negative 5° End & Side Cutting Edge Angle for negative trigon WNM_ inserts



Inch Description	UPC No. 733101-		Min. Bore B	C	D	F	K°	WNM_ Gage Insert	Seat	Lock Pin	Clamp	Clamp Screw
	R.H.	L.H.										
S12S-MWLN/R-L-3	55318	55319	1.00	10.0	0.75	0.500	14°	332	-	NL-33L	HC-7	SHC-7
S16T-MWLN/R-L-3	55320	55321	1.28	12.0	1.00	0.640	14°	332	-	NL-33L	CL-7	XNS-36
S16T-MWLN/R-L-4	55322	55323	1.28	12.0	1.00	0.640	14°	432	-	NL-44	CL-20	XNS-47
S20U-MWLN/R-L-4	55326	55327	1.53	14.0	1.25	0.765	14°	432	IWSN-433	NL-46	CL-20	XNS-47
S24U-MWLN/R-L-4	55330	55331	1.78	14.0	1.50	0.890	11°					

For Turning inserts see pages A-62 - A-91. For spare parts see pages B-91-B-92.

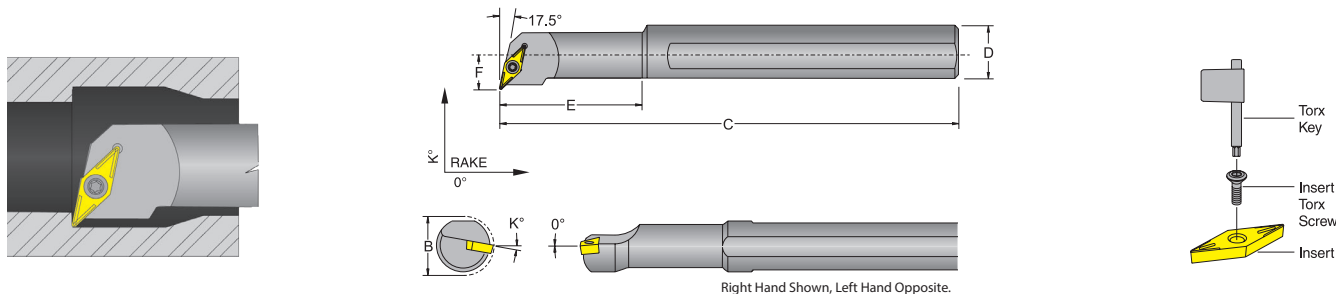
S-CTFP R/L Boring Bar Style F - 0° End Cutting Edge Angle for 11° positive triangle TPG inserts



Inch Description	UPC No. 733101-		Min. Bore B	C	D	F	TPG Gage Insert	Seat	Seat Screw	Clamp	Clamp Clip	Clamp Screw	Optional Chip Breaker
	R.H.	L.H.											
S08R-CTFPR/L-2	55356	55357	0.600	8.0	0.500	0.312	221	-	-	HC-7	-	SHC-7	-
S10S-CTFPR/L-2	55358	55359	0.770	10.0	0.625	0.406							
S12S-CTFPR/L-3	55360	55361	1.125	10.0	0.750	0.500	322	-	-	HC-12	CLP-12	CS-126	T3AE
S16T-CTFPR/L-3	55364	55365	1.280	12.0	1.000	0.640							
S20U-CTFPR/L-3	55368	55369	1.530	14.0	1.250	0.765	322	SM-41	TS-4	HC-12	CLP-12	CS-126	T3AE
S24U-CTFPR/L-3	55372	55373	1.840	14.0	1.500	0.890							
S28U-CTFPR/L-3	55376	55377	2.100	14.0	1.750	1.015	432	SM-37	TS-6	HC-12	CLP-12	CS-126	T4AE
S20U-CTFPR/L-4	55380	55381	1.530	14.0	1.250	0.765							
S24U-CTFPR/L-4	55384	55385	2.060	14.0	1.500	0.890	432	SM-37	TS-6	HC-12	CLP-12	CS-126	T4AE
S28U-CTFPR/L-4	55388	55389	2.380	14.0	1.750	1.156							
S32V-CTFPR/L-4	55392	55393	2.562	16.0	2.000	1.281	432	SM-37	TS-6	HC-12	CLP-12	CS-126	T4AE
S36V-CTFPR/L-4	55396	55397	2.880	16.0	2.250	1.406							
S40V-CTFPR/L-4	55400	55401	3.062	16.0	2.500	1.531	432	SM-37	TS-6	HC-12	CLP-12	CS-126	T4AE
S48Y-CTFPR/L-4	55404	55405	3.562	18.0	3.000	1.781							

For Turning inserts see pages A-58 - A-88. For spare parts see pages B-91-B-92.

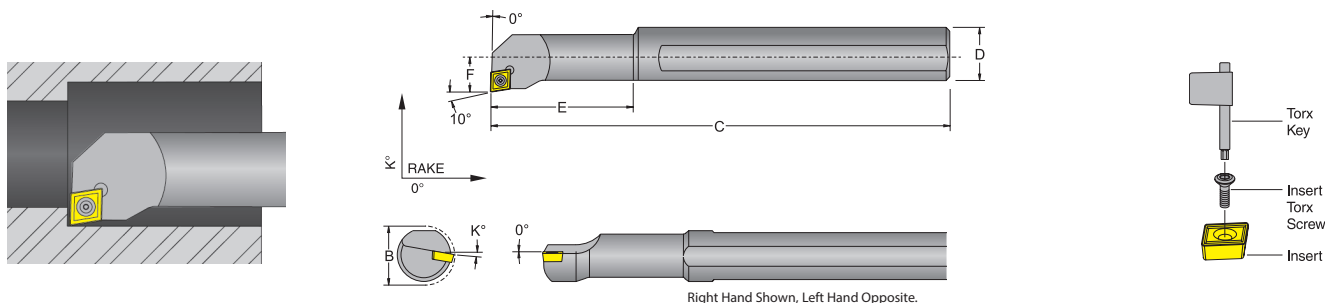
S-SVQB R/L Boring Bar Style Q - Negative 5° End Cutting Edge Angle for 5° positive 35° diamond VB_T inserts



Inch Description	UPC No. 733101-		Min.Bore	B	C	D	E	F	K°	VB_T Gage Insert	Insert Torx Screw	Torx Key
	R.H.	L.H.										
S10S-SVQBR/L-2	55410	55411	0.85	10.0	0.625	1.000	0.500	6°		221	TS-25.45-6M2	T-8
S12S-SVQBR/L-2	55412	55413	0.98	10.0	0.750	1.250	0.562	5°				
S16T-SVQBR-3	55414	-	1.30	12.0	1.000	1.500	0.750	5°	332	TS-4.7-10M1	T-15	

For Turning inserts see pages A-62 - A-91. For spare parts see pages B-91-B-92.

S-SCFC R/L Boring Bar Style F - 7° End Cutting Edge Angle for 7° positive 80° diamond CC_T inserts

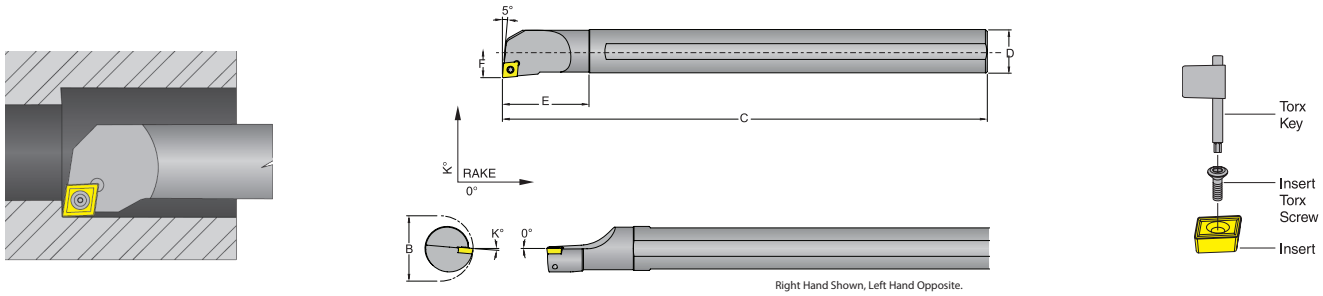


Inch Description	UPC No. 733101-		Min.Bore	B	C	D	E	F	K°	CC_T Gage Insert	Insert Torx Screw	Torx Key
	R.H.	L.H.										
S06M-SCFCL-2	-	55417	0.48	6.0	0.375	0.625	.250	8°		21.51	TS-25.45-6M2	T-8
S08R-SCFCR-2	55418	-	0.60	8.0	0.500	0.750	.312	7°				
S10S-SCFCR-2	55420	-	0.77	10.0	0.625	1.250	.406	5°				
S12S-SCFCR/L-3	55422	55423	0.93	10.0	0.750	1.875	.500	8°	32.52	TS-4.7-8M1	T-15	
S16T-SCFCR-3	55424	-	1.20	12.0	1.000	1.875	.640	4°				

For Turning inserts see pages A-62 - A-91. For spare parts see pages B-91-B-92.

Screw-Lock 7° Positive Insert Boring Bars

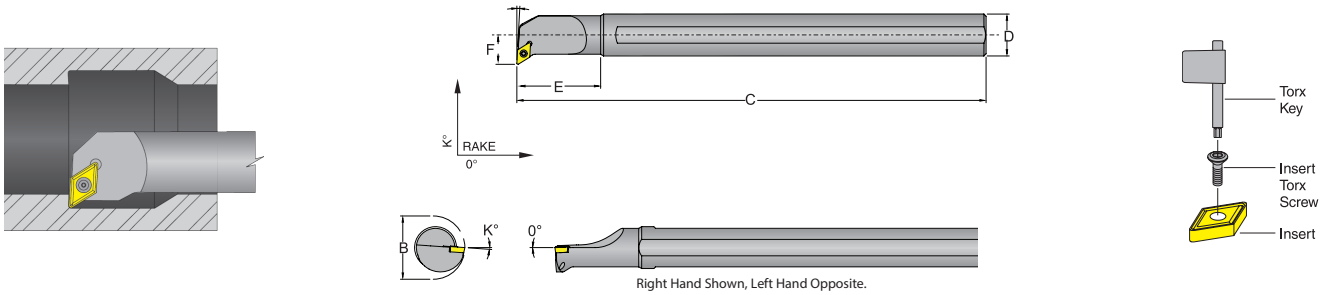
S-SCLC R/L Boring Bar Style L - Negative 5° End & Side Cutting Edge Angle for 7° positive 80° diamond CC_T inserts



Inch Description	UPC No. 733101-		Min. Bore B	C	D	E	F	K°	CC_T Gage Insert	Insert Torx Screw	Torx Key
	R.H.	L.H.									
S06M-SCLCR/L-2	55470	55471	0.477	6.00	0.375	0.625	.250	15°	21.51	TS-25.45-6M2	T-8
S08M-SCLCR/L-2	55474	55475	0.602	6.00	0.500	0.750	.312	13°			
S10R-SCLCR/L-2	55478	55479	0.812	8.00	0.625	1.250	.406	10°			
S08M-SCLCR/L-3	55482	55483	0.625	6.00	0.500	1.250	.312	13°	32.52	TS-4.7-8M1	T-15
S10R-SCLCR/L-3	55486	55487	0.797	8.00	0.625	1.250	.406	10°			
S12S-SCLCR/L-3	55490	55491	0.954	10.0	0.750	1.875	.500	8°	32.52	TS-4.7-10M1	T-15
S16T-SCLCR/L-3	55494	55495	1.250	12.0	1.000	2.500	.625	7°			
S16T-SCLCR/L-4	55498	55499	1.280	12.0	1.000	2.500	.640	7°	432	TS-5.8-10M1	T-20
S20U-SCLCR/L-4	55502	55503	1.530	14.0	1.250	2.500	.765	5°			
S24U-SCLCR/L-4	55506	55507	1.780	14.0	1.500	2.500	.890	5°			

For Turning inserts see pages A-62 - A-91. For spare parts see pages B-91-B-92.

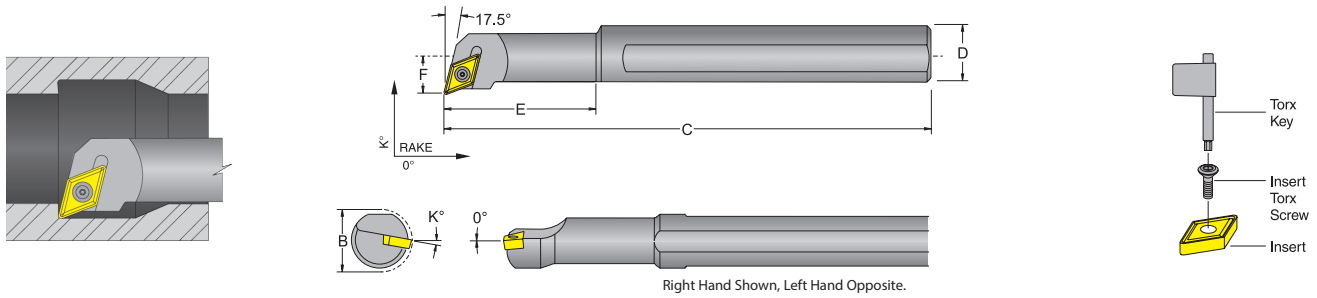
S-SDUC R/L Boring Bar Style U - Negative 3° End Cutting Edge Angle for 7° positive 55° diamond DC_T inserts



Inch Description	UPC No. 733101-		Min. Bore B	C	D	E	F	K°	DC_T Gage Insert	Insert Torx Screw	Torx Key
	R.H.	L.H.									
S06M-SDUCR/L-2	55560	55561	0.625	6.00	0.375	0.625	.375	11°	21.51	TS-25.45-6M2	T-8
S08M-SDUCR/L-2	55564	55565	0.780	6.00	0.500	0.750	.437	11°			
S10R-SDUCR/L-2	55568	55569	0.840	8.00	0.625	1.250	.500	5°			
S12S-SDUCR/L-3	55572	55573	1.125	10.0	0.750	1.275	.562	6°	32.52	TS-4.7-10M1	T-15
S16T-SDUCR/L-3	55576	55577	1.500	12.0	1.000	2.500	.750	4°			
S20U-SDUCR/L-3	55580	55581	1.750	14.0	1.125	2.500	.875	4°	432	TS-5.8-10M1	T-20
S16T-SDUCR/L-4	55582	55583	1.500	12.0	1.000	2.500	.750	5°			

For Turning inserts see pages A-62 - A-91. For spare parts see pages B-91-B-92.

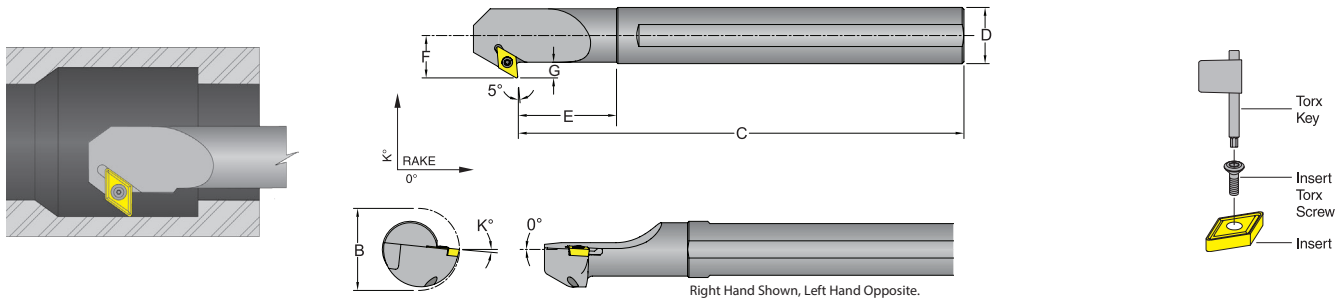
S-SDQC R/L Boring Bar Style Q - Negative 17.5° End Cutting Edge Angle for 7° positive 55° diamond DC_T inserts



Inch Description	UPC No. 733101-		Min. Bore B	C	D	E	F	K°	DC_T Gage Insert	Insert Torx Screw	Torx Key
	R.H.	L.H.									
S08M-SDQCR-2	55585	-	0.73	6.0	0.500	0.875	0.437	10°	21.51	TS-25.45-6M2	T-8
S10R-SDQCR/L-2	55587	55588	0.85	8.0	0.625	1.000	0.500	7°			
S12S-SDQCR-3	55589	-	0.98	10.0	0.750	1.250	0.562	7°	32.52	TS-4.7-10M1	T-15

For Turning inserts see pages A-62 - A-91. For spare parts see pages B-91-B-92.

S-SDXC R/L Boring Bar Style X - Negative 5° Back Boring Cutting Edge Angle for 7° positive 55° diamond DC_T inserts

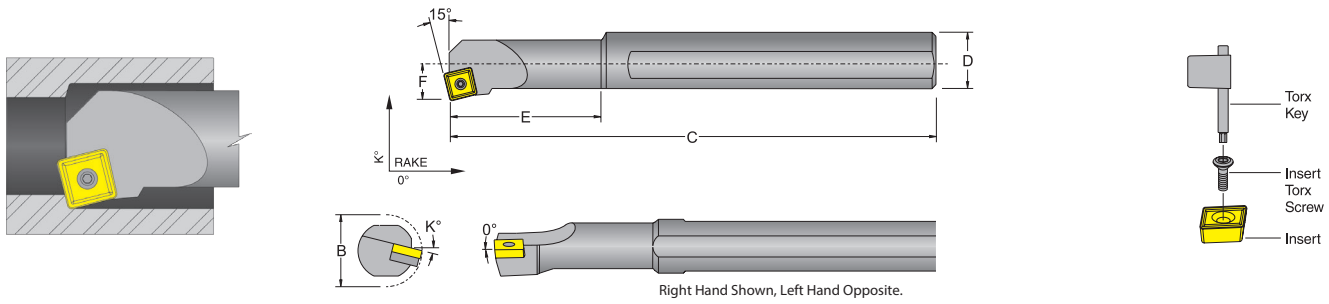


Inch Description	UPC No. 733101-		Min. Bore B	C	D	E	F	G	K°	DC_T Gage Insert	Insert Torx Screw	Torx Key
	R.H.	L.H.										
S08R-SDXCR/L-2	55426	55427	0.73	8.0	0.500	0.875	0.437	0.200	6°	21.51	TS-25.45-6M2	T-8
S10S-SDXCL-2	-	55429	0.85	10.0	0.625	1.000	0.500	0.219	5°			
S12S-SDXCR/L-3	55430	55431	0.98	10.0	0.750	1.250	0.562	0.234	5°	32.52	TS-4.7-10M1	T-15
S16T-SDXCR/L-3	55432	55433	1.30	12.0	1.000	1.500	0.750	0.315	3°			

For Turning inserts see pages A-62 - A-91. For spare parts see pages B-91-B-92.

Screw-Lock 7° Positive Insert Boring Bars

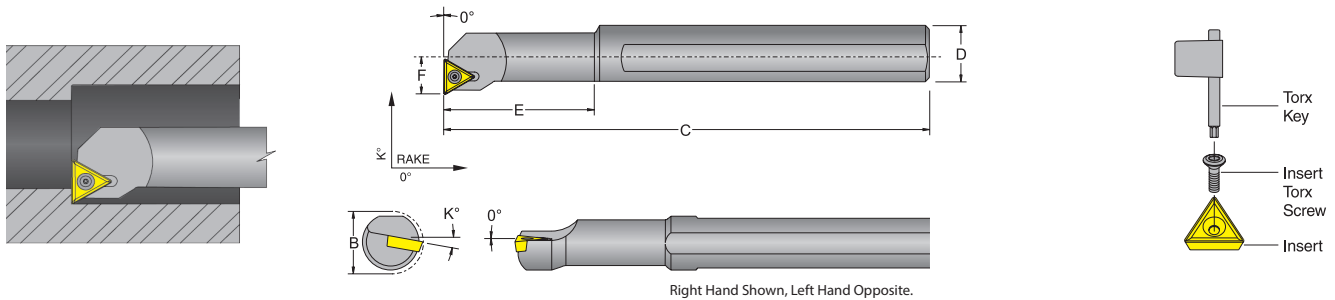
S-SSKC R/L Boring Bar Style K -15° End Cutting Edge Angle for 7° positive square SC_T inserts



Inch Description	UPC No. 733101-		Min. Bore B	C	D	E	F	K°	SC_T Gage Insert	Insert Torx Screw	Torx Key
	R.H.	L.H.									
S10R-SSKCR/L-3	55593	55594	0.800	8.0	0.625	1.250	.406	10°	32.52	TS-4.7-10M1	T-15
S12S-SSKCR/L-3	55595	55596	0.975	10.0	0.750	1.875	.500	8°			
S16T-SSKCR-4	55597	-	1.220	12.0	1.000	2.500	.640	7°	432	TS-5.8-10M1	T-20

For Turning inserts see pages A-62 - A-91. For spare parts see pages B-91-B-92.

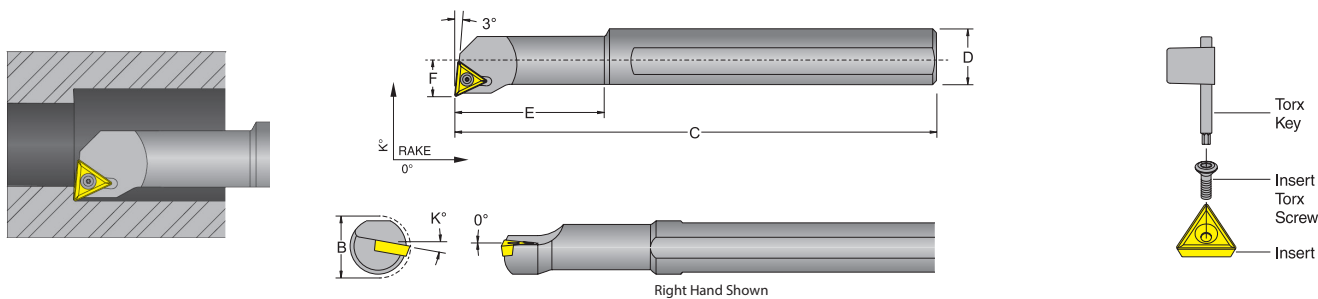
S-STFC R/L Boring Bar Style F - 0° End Cutting Edge Angle for 7° positive triangle TC_T inserts



Inch Description	UPC No. 733101-		Min. Bore B	C	D	E	F	K°	TC_T Gage Insert	Insert Torx Screw	Torx Key
	R.H.	L.H.									
S06M-STFCR/L-2	55600	55601	0.500	6.00	0.375	0.625	.250	11°	21.51	TS-25.45-6M2	T-8
S08M-STFCR/L-2	55604	55605	0.625	6.00	0.500	0.750	.312	9°			
S10R-STFCR/L-2	55608	55609	0.812	8.00	0.625	1.250	.406	7°			
S12S-STFCR/L-2	55612	55613	1.000	10.0	0.750	1.875	.500	6°			
S16T-STFCR/L-3	55616	55617	1.280	12.0	1.000	2.500	.640	6°	32.52	TS-4.7-10M1	T-15
S20U-STFCR/L-3	55620	55621	1.530	14.0	1.250	2.500	.765	5°			
S24U-STFCL-3	-	55625	1.780	14.0	1.500	2.500	.890	4°			

For Turning inserts see pages A-62 - A-91. For spare parts see pages B-91-B-92.

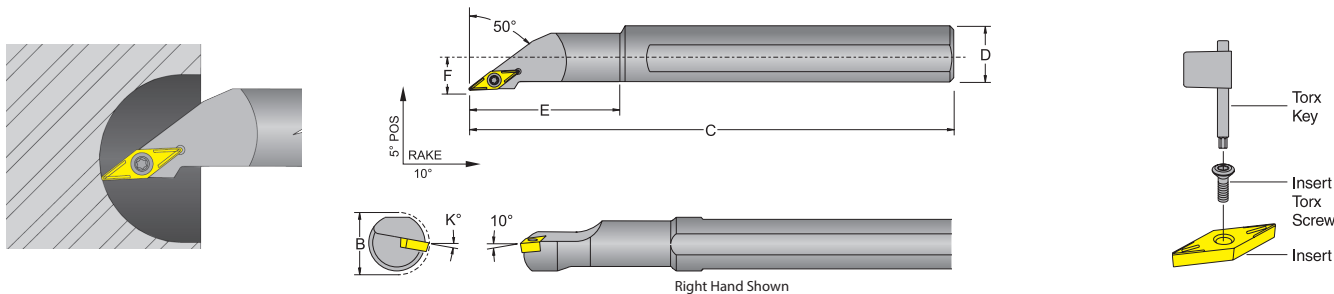
S-STUC R Boring Bar Style U - Negative 3° End Cutting Edge Angle for 7° positive triangle TC_T inserts



Inch Description	UPC No. 733101- R.H.	Min.Bore B	C	D	E	F	K°	TC_T Gage Insert	Insert Torx Screw	Torx Key
S06M-STUCR-2	55628	0.477	6.00	0.375	0.625	.250	15°	21.51	TS-25.45-6M2	T-8
S08M-STUCR-2	55629	0.602	6.00	0.500	0.750	.312	13°			
S10R-STUCR-2	55630	0.797	8.00	0.625	1.250	.406	10°			
S12S-STUCR-3	55631	0.954	10.0	0.750	1.875	.500	8°	32.52	TS-4.7-10M1	T-15
S16T-STUCR-3	55632	1.280	12.0	1.000	2.500	.640	7°			
S20T-STUCR-4	55633	1.370	12.0	1.250	2.500	.682	7°	432	TS-5.8-10M1	T-20
S24T-STUCR-4	55634	1.680	12.0	1.500	2.500	.840	5°			

For Turning inserts see pages A-62 - A-91. For spare parts see pages B-91-B-92.

S-SVMC R Boring Bar Style M - Negative 5° Side Cutting Edge Angle for 7° positive 35° diamond VC_T inserts

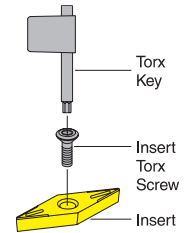
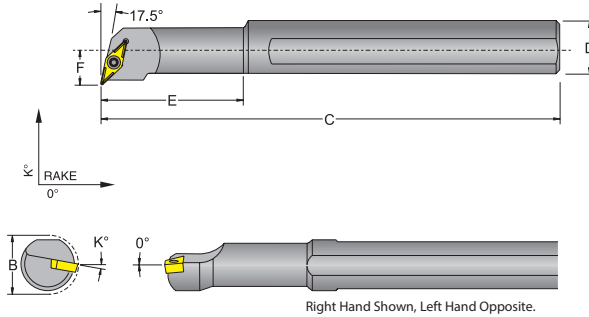
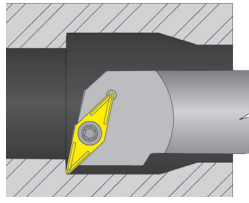


Inch Description	UPC No. 733101- R.H.	Min.Bore B	C	D	E	F	K°	VC_T Gage Insert	Insert Torx Screw	Torx Key
S08R-SVMCR-2	55730	0.580	8.00	0.500	1.250	0.312	5°	221	TS-25.45-8M2	T-8
S10S-SVMCR-2	55731	0.980	10.0	0.625	1.500	0.406	5°			
S12S-SVMCR-3	55732	1.000	10.0	0.750	1.250	0.500	5°	332	TS-4.7-10M1	T-15
S16T-SVMCR-3	55733	1.300	12.0	1.000	2.000	0.640	5°			

For Turning inserts see pages A-62 - A-91. For spare parts see pages B-91-B-92.

Screw-Lock 7° Positive Insert Boring Bars

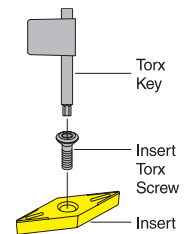
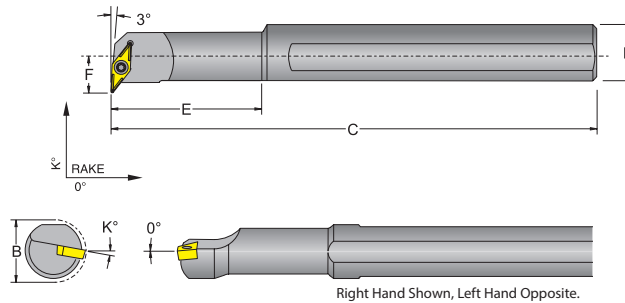
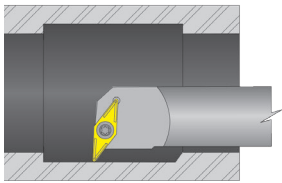
S-SVQC R Boring Bar Style Q - Negative 17.5° End Cutting Edge Angle for 7° positive 35° diamond VC_T inserts



Inch Description	UPC No. 733101-		Min. Bore B	C	D	E	F	K°	VC_T Gage Insert	Insert Torx Screw	Torx Key
	R.H.	L.H.									
S10R-SVQCR-2	55814		0.85	8.0	0.625	1.000	0.500	8°	221	TS-25.45-8M2	T-8
S12S-SVQCR-2	55816		0.98	10.0	0.750	1.250	0.562	7°			
S16T-SVQCR-3	55818		1.30	12.0	1.000	1.500	0.750	6°	332	TS-4.7-10M1	T-15

For Turning inserts see pages A-62 - A-91. For spare parts see pages B-91-B-92.

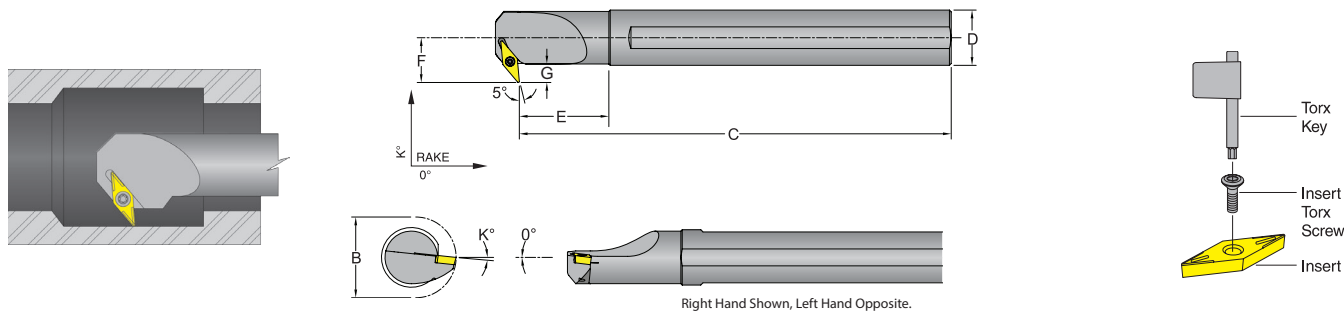
S-SVUC R/L Boring Bar Style U - Negative 3° End Cutting Edge Angle for 7° positive 35° diamond VC_T inserts



Inch Description	UPC No. 733101-		Min. Bore B	C	D	E	F	K°	VC_T Gage Insert	Insert Torx Screw	Torx Key
	R.H.	L.H.									
S12S-SVUCR/L-2	55800	55801	1.125	10.0	0.75	1.250	0.625	6°	221	TS-25.45-8M2	T-8
S16T-SVUCR-2	55804	-	1.300	12.0	1.00	1.500	0.750	6°			
S16T-SVUCR/L-3	55808	55809	1.625	12.0	1.00	1.500	0.750	6°	332	TS-4.7-10M1	T-15
S20U-SVUCR/L-3	55812	55813	1.625	14.0	1.25	2.000	1.000	6°			

For Turning inserts see pages A-62 - A-91. For spare parts see pages B-91-B-92.

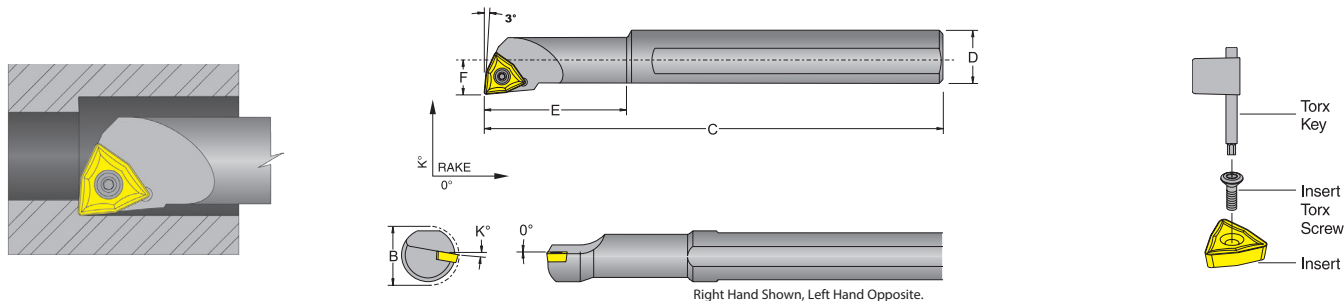
S-SVXC R/L Boring Bar Style X - Negative 5° Back Boring Cutting Edge Angle for 7° positive 35° diamond VC_T inserts



Inch Description	UPC No. 733101-		Min. Bore B	C	D	E	F	G	K°	VC_T Gage Insert	Insert Torx Screw	Torx Key
	R.H.	L.H.										
S12S-SVXCR-2	55822	-	1.125	10.0	0.75	1.250	0.625	0.297	6°	221	TS-25.45-8M2	T-8
S16T-SVXCR-2	55826	-	1.500	12.0	1.00	1.500	0.750	0.310	6°			
S16T-SVXCR/L-3	55830	55831	2.000	12.0	1.00	1.500	0.750	0.310	6°	332	TS-4.7-10M1	T-15
S20U-SVXCR/L-3	55834	55835	2.250	14.0	1.25	1.500	1.000	0.425	6°			

For Turning inserts see pages A-62 - A-91. For spare parts see pages B-91-B-92.

S-SWUC R/L Boring Bar Style U - Negative 3° End Cutting Edge Angle for 7° positive 80° trigon WC_T inserts

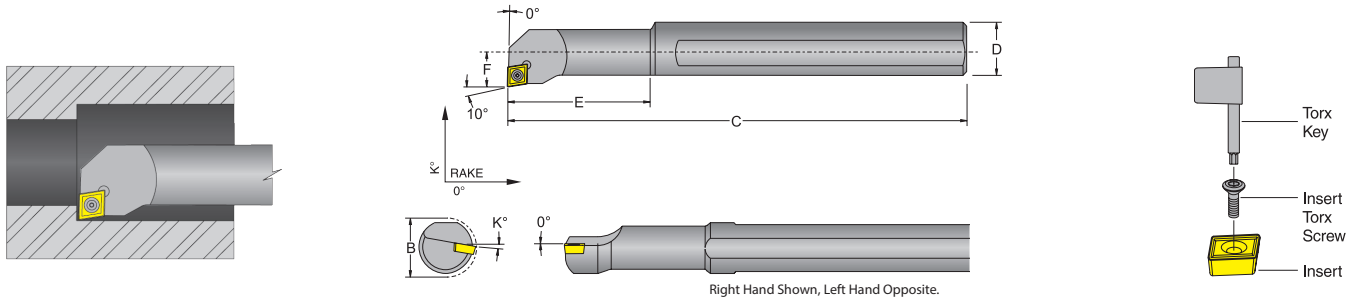


Inch Description	UPC No. 733101-		Min. Bore B	C	D	E	F	K°	WC_T Gage Insert	Insert Torx Screw	Torx Key
	R.H.	L.H.									
S06M-SWUCR/L-2	55912	55913	0.500	6.00	0.375	0.625	.250	11°	21.51	TS-25.45-6M2	T-8
S08M-SWUCR/L-2	55916	55917	0.625	6.00	0.500	0.750	.312	9°			
S10R-SWUCR/L-2	55920	55921	0.812	8.00	0.625	1.250	.406	7°			
S08M-SWUCR/L-3	55924	55925	0.625	6.00	0.500	1.250	.312	11°	32.52	TS-4.7-8M1	T-15
S10R-SWUCR/L-3	55928	55929	0.812	8.00	0.625	1.250	.406	7°			
S12S-SWUCR/L-3	55932	55933	1.000	10.0	0.750	1.875	.500	10°	32.52	TS-4.7-10M1	T-15
S16T-SWUCR/L-4	55940	55941	1.280	12.0	1.000	2.500	.640	5°			
S24U-SWUCR-4	55948	-	1.780	14.0	1.500	2.500	.890	5°	432	TS-5.8-10M1	T-20

For Turning inserts see pages A-62 - A-91. For spare parts see pages B-91-B-92.

Screw-Lock 11° Positive Insert Boring Bars

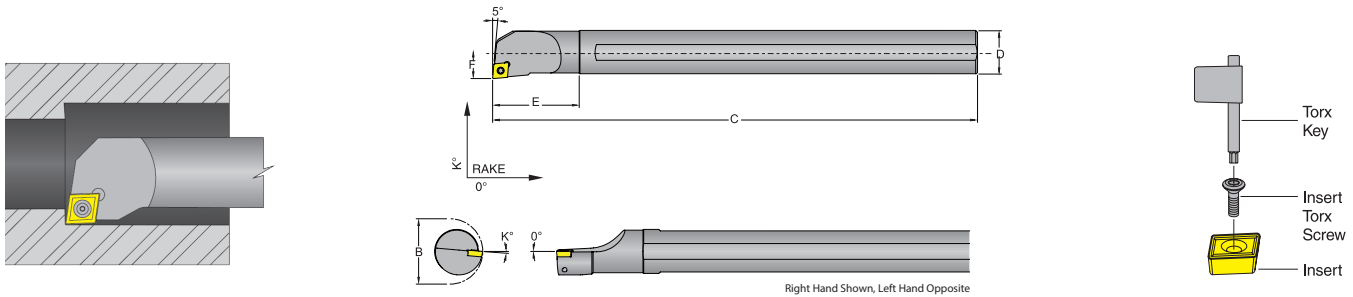
S-SCFP R Boring Bar Style F - 0° End Cutting Edge Angle for 11° positive 80° diamond CP_T inserts



Inch Description	UPC No. 733101-		Min.Bore B	C	D	E	F	K°	CP_T Gage Insert	Insert Torx Screw	Torx Key
	R.H.	L.H.									
S06M-SCFPR-2	55751		0.48	6.0	0.375	0.625	.250	4°	21.51	TS-25.45-6M2	T-8
S08R-SCFPR-2	55753		0.60	8.0	0.500	0.750	.312	2°			
S10S-SCFPR-2	55755		0.77	10.0	0.625	1.250	.406	0°			

For Turning inserts see pages A-62 - A-91. For spare parts see pages B-91-B-92.

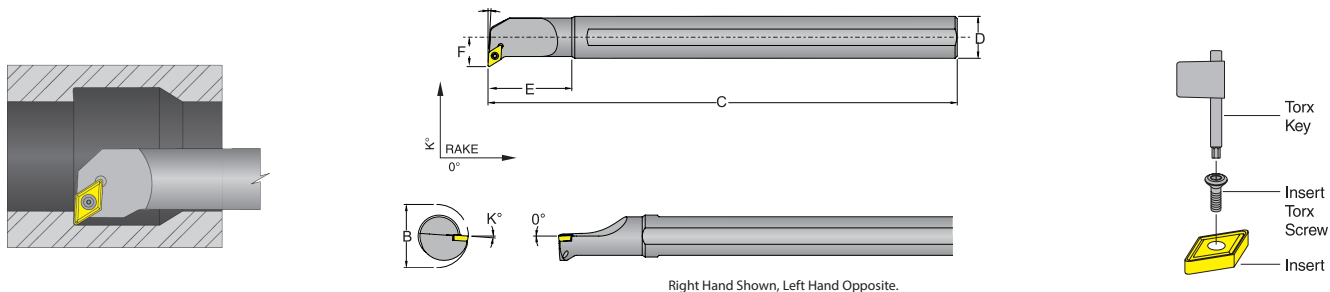
S-SCLP R/L Boring Bar Style L - Negative 5° End & Side Cutting Edge Angle for 11° positive 80° diamond CP_T inserts



Inch Description	UPC No. 733101-		Min.Bore B	C	D	E	F	K°	CP_T Gage Insert	Insert Torx Screw	Torx Key
	R.H.	L.H.									
S06M-SCLPR-2	55761	-	0.48	6.0	0.375	0.625	0.250	6°	21.51	TS-25.45-6M2	T-8
S08R-SCLPR/L-2	55763	55764	0.60	8.0	0.500	0.750	0.312	3°			
S10S-SCLPR/L-2	55765	55766	0.77	10.0	0.625	1.250	0.406	2°			
S10S-SCLPR/L-3	55767	55768	0.77	10.0	0.625	1.250	0.406	2°	32.52	TS-4.7-8M1	T-15
S12S-SCLPR/L-3	55769	55770	0.93	10.0	0.750	1.250	0.500	2°			
S16T-SCLPR/L-3	55771	55772	1.20	12.0	1.000	1.875	0.640	0°			

For Turning inserts see pages A-62 - A-91. For spare parts see pages B-91-B-92.

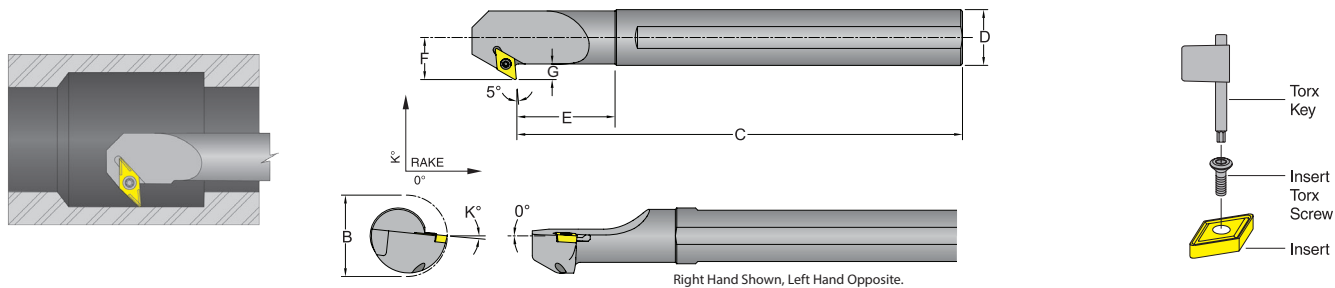
S-SDUP R/L Boring Bar Style U - Negative 3° End Cutting Edge Angle for 11° positive 55° diamond DP_T inserts



Inch Description	UPC No. 733101-		Min.Bore B	C	D	E	F	K°	DP_T Gage Insert	Insert Torx Screw	Torx Key
	R.H.	L.H.									
S06M-SDUPR/L-2	55774	55775	0.60	6.0	0.375	0.625	0.375	3°	21.51	TS-25.45-6M2	T-8
S08R-SDUPR-2	55776	-	0.73	8.0	0.500	0.500	0.437	2°			
S12S-SDUPR/L-3	55780	55781	0.98	10.0	0.750	1.875	0.562	2°	32.52	TS-4.7-10M1	T-15
S16T-SDUPR/L-3	55782	55783	1.30	12.0	1.000	2.500	0.750	0°			

For Turning inserts see pages A-62 - A-91. For spare parts see pages B-91-B-92.

S-SDXP R/L Boring Bar Style X - Negative 5° Back Boring Cutting Edge Angle for 11° positive 55° diamond DP_T inserts

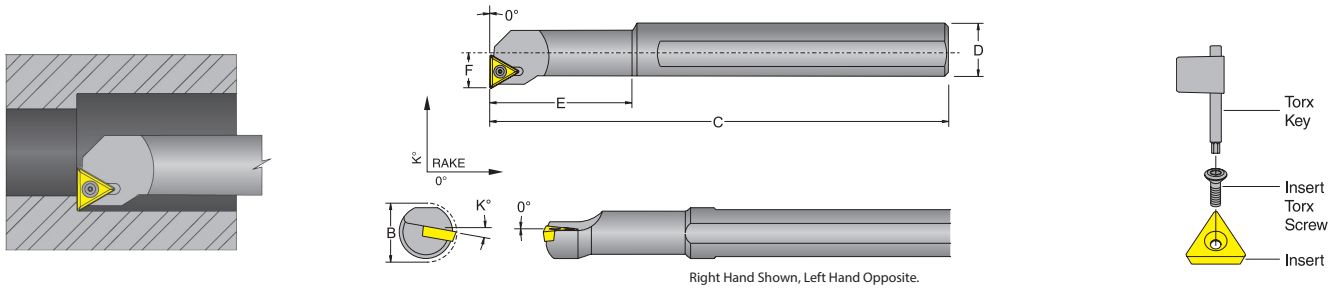


Inch Description	UPC No. 733101-		Min.Bore B	C	D	E	F	K°	G	DP_T Gage Insert	Insert Torx Screw	Torx Key
	R.H.	L.H.										
S10S-SDXPR-2	55786	-	0.85	10.0	0.625	1.000	0.500	0°	0.200	21.51	TS-25.45-6M2	T-8
S16T-SDXPL-3	-	55791	1.30	12.0	1.000	1.500	0.750	0°	0.315	32.52	TS-4.7-10M1	T-15

For Turning inserts see pages A-62 - A-91. For spare parts see pages B-91-B-92.

Screw-Lock 11° Positive Insert Boring Bars

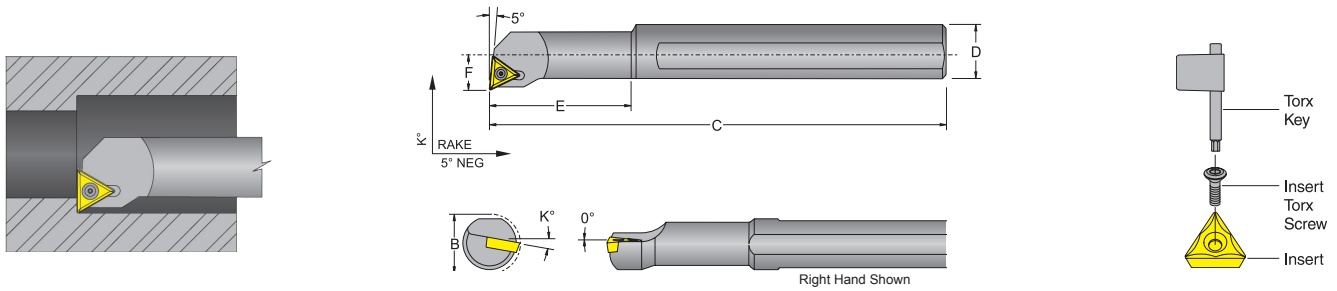
S-STFP R/L Boring Bar Style F - 0° End Cutting Edge Angle for 11° positive triangle TPGH and TPGH inserts



Inch Description	UPC No. 733101-		Min. Bore B	C	D	E	F	K°	TPG_Gage Insert	Insert Torx Screw	Torx Key
	R.H.	L.H.									
S06M-STFPR/L-2	55636	55637	0.470	6.00	0.375	0.625	.250	4°	21.51	TS-25.45-6M2	T-8
S08M-STFPR/L-2	55640	55641	0.600	6.00	0.500	0.750	.312	2°			
S10R-STFPR/L-2	55644	55645	0.770	8.00	0.625	1.250	.406	0°			
S12S-STFPR-3	55648	-	0.930	10.0	0.750	1.875	.500	2°	322	TS-44-3M	T-10

For Turning inserts see pages A-62 - A-91. For spare parts see pages B-91-B-92.

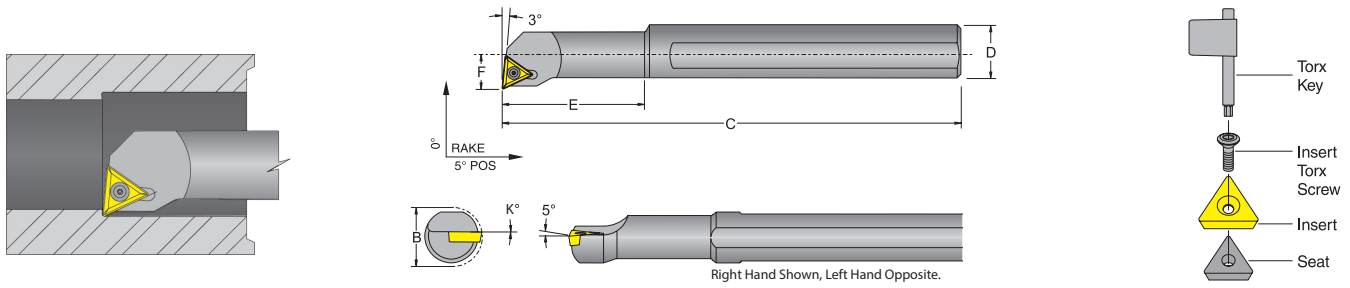
S-STLP R Boring Bar Style L - Negative 5° End Cutting Edge Angle for 11° positive triangle TPGH and TPGH inserts



Inch Description	UPC No. 733101-		Min. Bore B	C	D	E	F	K°	TPG_Gage Insert	Insert Torx Screw	Torx Key
	R.H.	L.H.									
S06M-STLPR-2	55846		0.430	6.00	0.375	0.625	.232	4°	21.51	TS-25.45-6M2	T-8
S08M-STLPR-2	55848		0.590	6.00	0.500	0.750	.287	2°			
S10R-STLPR-2	55850		0.682	8.00	0.625	1.250	.350	0°			
S12S-STLPR-3	55852		0.845	10.0	0.750	1.875	.422	2°	322	TS-44-3M	T-10
S16T-STLPR-3	55854		1.115	12.0	1.000	2.500	.555	0°			
S20T-STLPR-3	55856		1.370	12.0	1.250	2.500	.682	0°			

For Turning inserts see pages A-62 - A-91. For spare parts see pages B-91-B-92.

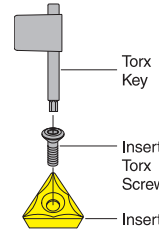
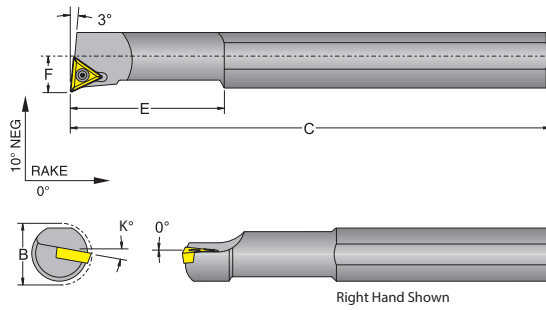
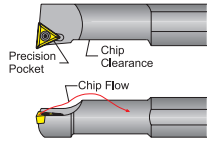
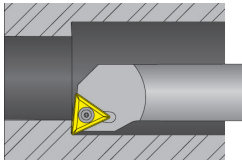
S-STUP R/L Boring Bar Style U - Negative 3° End Cutting Edge Angle for 11° positive triangle TPGH and TPGB inserts



Inch Description	UPC No. 733101-		Min. Bore B	C	D	E	F	K°	TPG Gage Insert	Seat	Insert Torx Screw	Torx Key
	R.H.	L.H.										
S16T-STUPR/L-3	55682	55683	1.22	12.0	1.00	2.500	0.578	0°	322	SM-41	TS-44-4M	T-10
S24U-STUPR/L-3	55690	55691	1.84	14.0	1.50	2.500	0.891	0°				
S24U-STUPR-4	55698	-	2.12	14.0	1.50	2.500	1.031	0°				
S28U-STUPR/L-4	55702	55703	2.38	14.0	1.75	2.500	1.156	0°	432	SM-37	TS-83-4M1	T-20
S32V-STUPR-4	55706	-	2.62	16.0	2.00	3.000	1.281	0°				
S40V-STUPR-4	55714	-	3.12	16.0	2.50	3.000	1.531	0°				

For Turning inserts see pages A-62 - A-91. For spare parts see pages B-91-B-92.

STCMB Boring Bar - Roughing to Finishing, Square Shoulders to Through Bores for 7° positive triangle TCMT Inserts

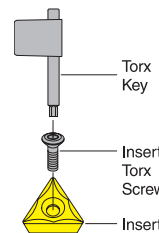
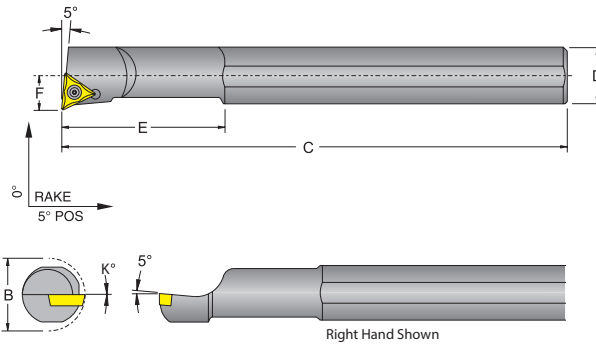
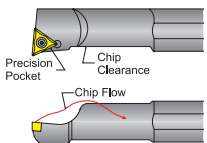
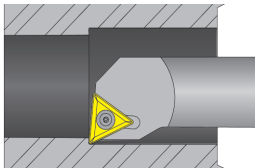


- **Small Hole Capacity** - to a minimum of .500
- **High Tech** - Insert pocket has been scientifically designed to eliminate vibration and maximize the depth of cut
- **Rigidity** - Bar made of heat treated, precision ground alloy steel
- **Insert Locking** - The insert is securely held with the Torx screw to reduce tool slipping
- **Better Finish** - The clearance angle of the insert, in relation to the cutting edge, gives the best micro finish
- **Fast Material Removal** - The positive insert with advanced chip breaker design allows for heavier cuts

Inch Description	UPC No. 733101-		Min.Bore					K°	TC_T Gage Insert	Insert Torx Screw	Torx Key
	R.H.	B	C	D	E	F					
STCMB06-2	55738	0.500	5.00	0.500	1.25	.208	10°	21.51	TS-25.45-6M2	T-8	
STCMB08-2	55740	0.590	6.00	0.500	1.50	.287	10°				
STCMB10-2	55742	0.750	8.00	0.625	2.25	.350	10°				
STCMB12-3	55744	0.845	10.0	0.750	2.50	.422	10°	32.52	TS-4.7-10M1	T-15	
STCMB16-3	55746	1.115	12.0	1.000	3.00	.555	10°				
STCMB20-4	55748	1.370	12.0	1.250	3.50	.682	10°	432	TS-5.8-10M1	T-20	

For Turning inserts see pages A-62 - A-91. For spare parts see pages B-91-B-92.

TPBN Boring Bar - Roughing to Finishing, Square Shoulders to Through Bores for 11° positive triangle TPGH or TPGB Inserts



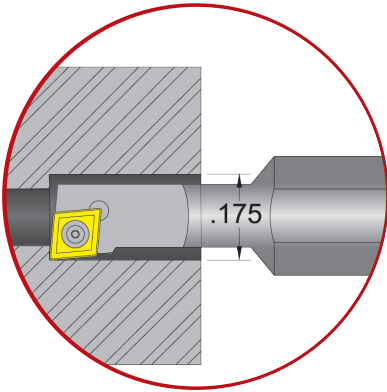
- **Small Hole Capacity** - to a minimum of .430
- **High Performance** - Positive rake for fast material removal, as well as finishing
- **Rigidity** - Bar made of heat treated, precision ground alloy steel
- **Insert Locking** - The insert is securely held with the Torx screw to reduce tool slipping.
- **Chip Control** - Advanced precision chip clearance allows for maximum boring capacity
- **Inserts** - TIN coated with added chip breaker

Inch Description	UPC No. 733101-		Min.Bore					K°	TP__ Gage Insert	Insert Torx Screw	Torx Key
	R.H.	B	C	D	E	F					
TPBN06-2	55658	0.430	5.00	0.500	1.25	.208	0°	21.51	TS-25.45-6M2	T-8	
TPBN08-2	55660	0.590	6.00	0.500	1.50	.287	0°				
TPBN10-2	55662	0.682	8.00	0.625	2.25	.350	0°				
TPBN12-3	55664	0.845	10.0	0.750	2.50	.422	0°	322	TS-44-3M	T-10	
TPBN16-3	55666	1.115	12.0	1.000	3.00	.555	0°				
TPBN20-3	55668	1.370	12.0	1.250	3.50	.682	0°	432	TS-83-4M1	T-20	
TPBN20-4	55670	1.370	12.0	1.250	3.50	.682	0°				
TPBN24-4	55672	1.680	12.0	1.500	4.00	.840	0°				

For Turning inserts see pages A-62 - A-91. For spare parts see pages B-91-B-92.

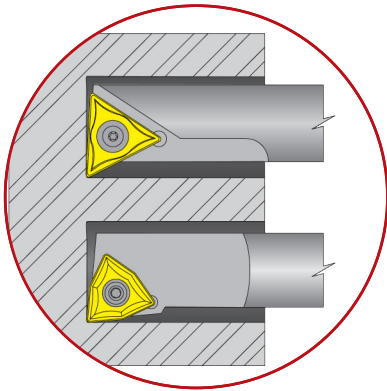
Eliminate Reamers With Miniature Indexable Boring Bars

- **Small Hole Capacity** - to a minimum of .175
- **High Tech** - Insert pocket has been scientifically designed to eliminate vibration and maximize the depth of cut
- **Rigidity** - Bar made of heat treated, precision ground alloy steel as well as solid carbide
- **Insert Locking** - The insert is securely held with the Torx screw to reduce tool slipping
- **Better Finish** - The clearance angle of the insert, in relation to the cutting edge, gives the best micro finish
- **Eliminate Reamers** - The small hole boring capacity can now bore holes that were once reamed

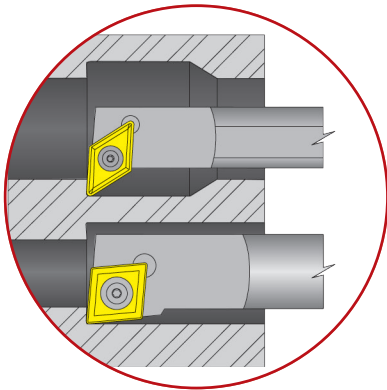


Advantages of Miniature Boring Bars

The miniature boring bars are replacing reamers with many advantages. The small inserts and finishing coated grades available make boring to a minimum diameter of .175 possible.



- Close tolerances
- Better surface finish
- Less machine load
- Never gets stuck
- Bores to a blind hole
- Min. diameter of .175



Available In a variety of insert styles and shank sizes.

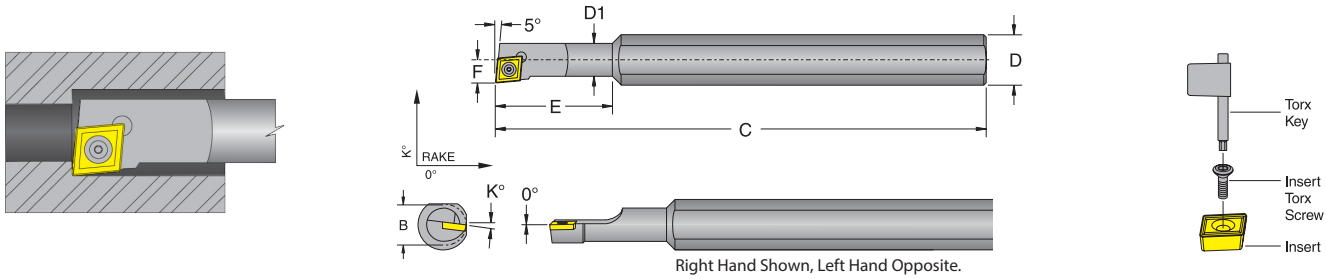
Insert Styles:
 "C" - 80° Diamond
 "D" - 55° Diamond
 "T" - 60° Triangle
 "W" - 80° Trigon

Shank Sizes:
 3/8"
 1/2"
 5/8"

Carbide Shank Sizes:
 5/32"
 3/16"
 7/32"
 1/4"

Miniature - Screw-Lock 7° Positive Insert Boring Bars

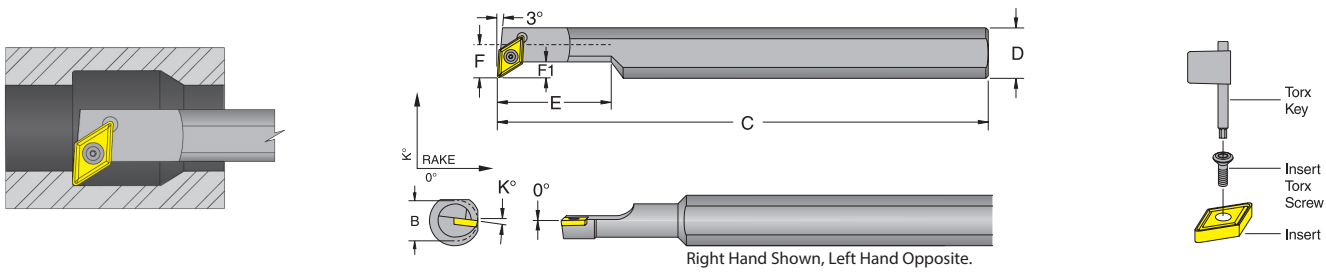
MINI S-SCLC R/L Boring Bar Style L - Negative 5° End & Side Cutting Edge Angle for 7° positive 80° diamond CC_T inserts



Inch Description	UPC No. 733101-		Min.Bore B	C	D	D1	E	F	K°	CC_T Gage Insert	Insert Torx Screw	Torx Key
	R.H.	L.H.										
S06H-SCLCR/L-2	55450	55451	.394	4.0	.375	.315	1.25	.236	11°	21.51	TS-25.45-6M2	T-8
S08K-SCLCR/L-2	55454	55455	.550	5.0	.500	.390	1.50	.275	9°			
S10M-SCLCR/L-2	55458	55459	.708	6.0	.625	.472	2.00	.354	7°			

For Turning inserts see pages A-62 - A-91. For spare parts see pages B-91-B-92.

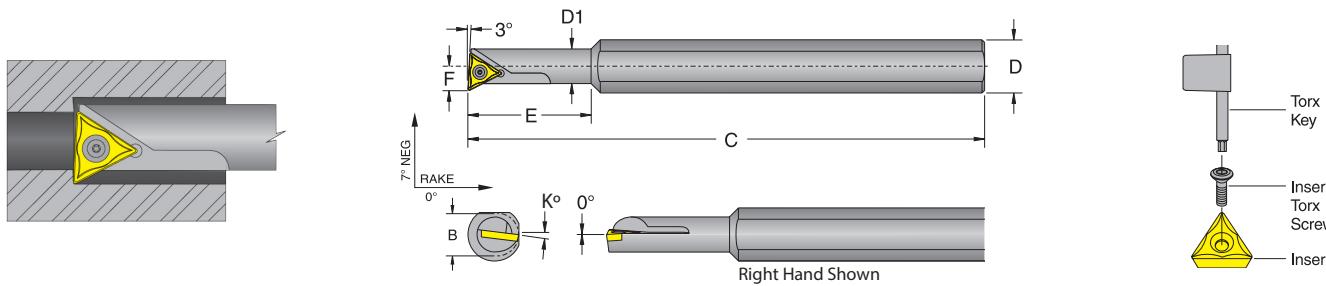
MINI S-SDUC R/L Boring Bar Style U - Negative 3° End Cutting Edge Angle for 7° positive 55° diamond DC_T inserts



Inch Description	UPC No. 733101-		Min.Bore B	C	D	E	F	F1	K°	DC_T Gage Insert	Insert Torx Screw	Torx Key
	R.H.	L.H.										
S06H-SDUCR-2	55540	-	.492	4.00	.375	0.875	.324	.197	11°	21.51	TS-25.45-6M2	T-8
S08K-SDUCR/L-2	55544	55545	.610	5.00	.500	1.125	.383	.197	9°			
S10M-SDUCR-2	55548	-	.768	6.00	.625	1.500	.433	.197	7°			

For Turning inserts see pages A-62 - A-91. For spare parts see pages B-91-B-92.

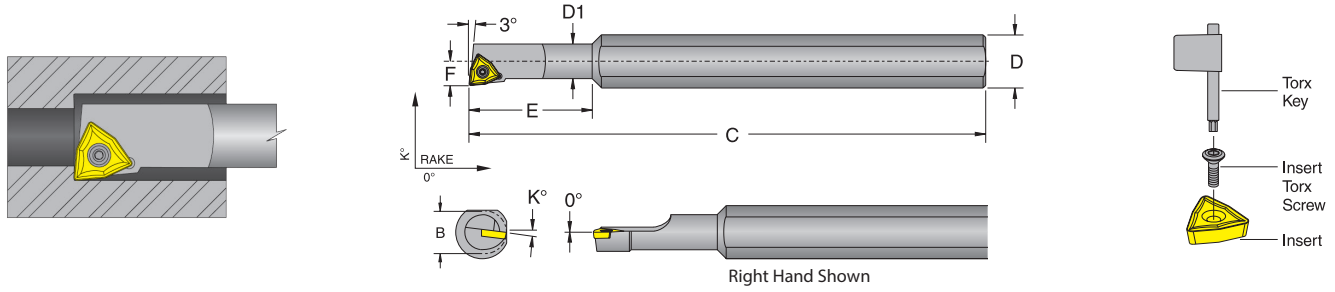
MINI S-STUC R Boring Bar Style U - Negative 3° End Cutting Edge Angle for 7° positive triangle TC_T inserts



Inch Description	UPC No. 733101-		Min.Bore B	C	D	D1	E	F	K°	TC_T Gage Insert	Insert Torx Screw	Torx Key
	R.H.	L.H.										
S08H-STUCR-1.2-2	55724		.286	4.00	.500	.265	1.125	.143	7°	TCMT-1.21.20.5	TS-06	T-6
S08H-STUCR-1.2-3	55726		.313	4.00	.500	.300	1.125	.157	7°			
S08H-STUCR-1.2-4	55728		.374	4.00	.500	.358	1.125	.189	7°			

For Turning inserts see pages A-62 - A-91. For spare parts see pages B-91-B-92.

MINI S-SWUC R Boring Bar Style U - Negative 3° End Cutting Edge Angle for 7° positive 80° trigon WC_T inserts



Right Hand Shown

Inch Description	UPC No. 733101-R.H.	Min.Bore B	C	D	D1	E	F	K°	WC_T Gage Insert	Insert Torx Screw	Torx Key
S08H-SWUCR-1.2-2	55900	0.228	4.0	.50	.197	0.750	.114	11°	1.210.0	TS-06	T-6
S08H-SWUCR-1.2-3	55902	0.308	4.0	.50	.236	1.000	.154	11°			
S08H-SWUCR-1.2-4	55904	0.374	4.0	.50	.300	1.125	.189	11°			
S06H-SWUCR-2	55906	.394	4.0	.375	.315	1.25	.236	11°	21.51	TS-25.45-6M2	T-8
S08K-SWUCR-2	55907	.550	5.0	.500	.390	1.50	.275	9°			
S10M-SWUCR-2	55908	.708	6.0	.625	.472	2.00	.354	7°			

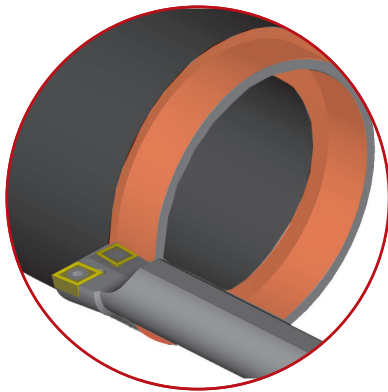
For Turning inserts see pages A-62 - A-91. For spare parts see pages B-91-B-92.

1 Tool - Multiple Operations From Roughing to Finishing Turning - Facing - Boring - Chamfering - Threading

- One-half the cost in tooling
- One station saved
- One less tool to set-up

- One less tool to index
- Less down time
- Improve productivity
- Reduce production cost

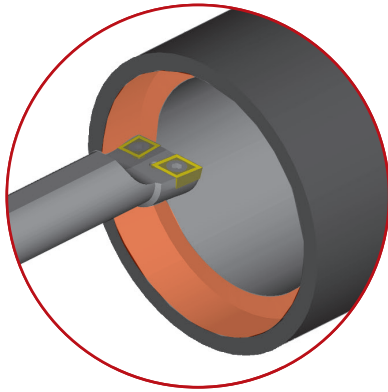
- Standard indexable insert
- Standard hardware
- Heat treated alloy ground steel



ONE TOOL FOR:
Manual Lathe
Hardinge Chucker
Turning Center

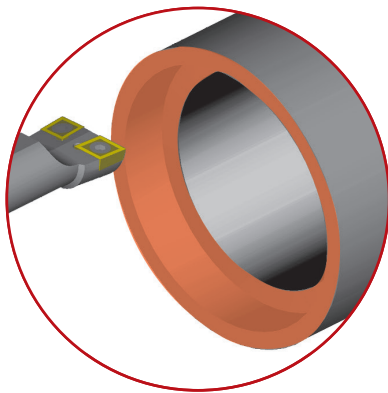
TURNING

Turning is performed with the double insert boring bar, eliminating tool changes. The right insert is offset ahead of the left insert to create clearance in turning and facing.



BORING

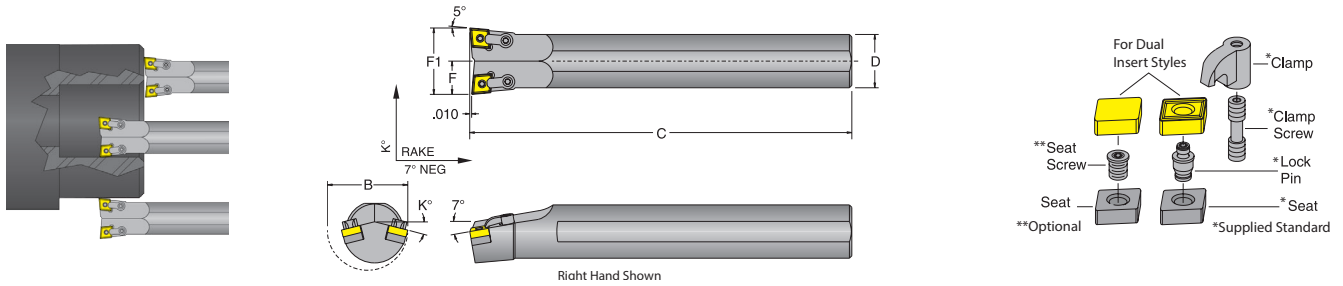
Boring is performed with the same double insert boring bar, eliminating tool changes. The left insert is offset behind the right insert to create clearance in boring.



FACING

Facing is performed with the same double insert boring bar, eliminating tool changes. The right insert is offset ahead of the left insert to create clearance in turning and facing.

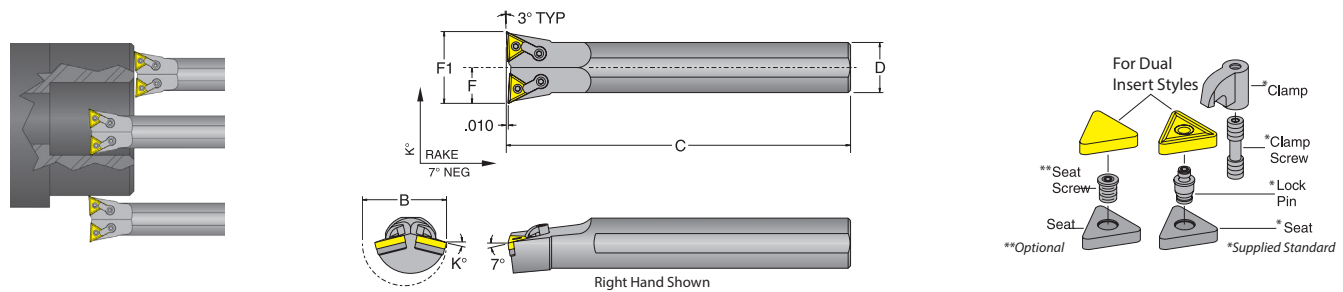
S-DCLN R Boring Bar Style L - Negative 5° End or Side Cutting Edge Angle for two 80° diamond CNM_ inserts



Inch Description	UPC No. 733101-R.H.	Min. Bore B	C	D	F	F1	K°	CNM_Gage Insert	Seat	Lock Pin	Clamp	Clamp Screw	Optional Seat Screw
S12M-DCLN-3	57504	1.250	6.0	0.75	0.500	1.530	14°	332	-	NL-44	CL-7	XNS-36	-
S16T-DCLN-4	57510	1.500	12.0	1.00	0.640	1.280	14°	432	-	NL-44	CL-7	XNS-35	-
S16Q-DCLN-4	57506	1.500	7.0	1.00	0.640	1.530	14°	432	ICSN-433	NL-46	CL-20	XNS-48	S-46
S20R-DCUN-4	57508	1.750	8.0	1.25	0.765	1.530	11°						
S20U-DCLN-4	57514	1.750	14.0	1.25	0.765	1.530	14°						
S24U-DCLN-4	57518	2.000	14.0	1.50	0.890	1.780	11°						
S24U-DCLN-5	57522	2.000	14.0	1.50	0.890	1.780	11°						
S32V-DCLN-5	57526	2.625	16.0	2.00	1.281	2.562	11°	543	ICSN-533	NL-58	CL-20	XNS-48	S-58

For Turning inserts see pages A-62 - A-91. For spare parts see pages B-91-B-92.

S-DTUN R Boring Bar Style U - Negative 3° End or Side Cutting Edge Angle for two triangle TNM_ inserts

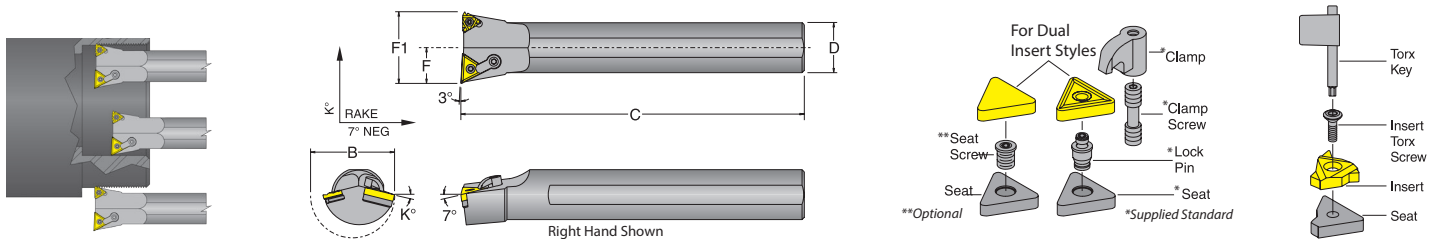


Inch Description	UPC No. 733101-R.H.	Min. Bore B	C	D	F	F1	K°	TNM_Gage Insert	Seat	Lock Pin	Clamp	Clamp Screw	Optional Seat Screw
S16Q-DTUN-3	57550	1.500	7.0	1.00	0.640	1.530	14°	322	ITSN-322	NL-34	CL-6	XNS-35	S-34
S20R-DTUN-3	57552	1.750	8.0	1.25	0.765	1.530	14°						
S16T-DTUN-3	57554	1.500	12.0	1.00	0.640	1.280	14°						
S20U-DTUN-3	57558	1.750	14.0	1.25	0.765	1.530	14°	322	ITSN-322	NL-34	CL-6	XNS-36	S-34
S24U-DTUN-3	57562	2.000	14.0	1.50	0.890	1.780	11°						
S32V-DTUN-4	57570	2.625	16.0	2.00	1.281	2.562	11°						

For Turning inserts see pages A-62 - A-91. For spare parts see pages B-91-B-92.

Double Insert Boring Bars

S-DTUN_T R Bar Style U - Negative 3° End or Side Cutting Edge Angle for one negative triangle TNM_ & one Laydown insert

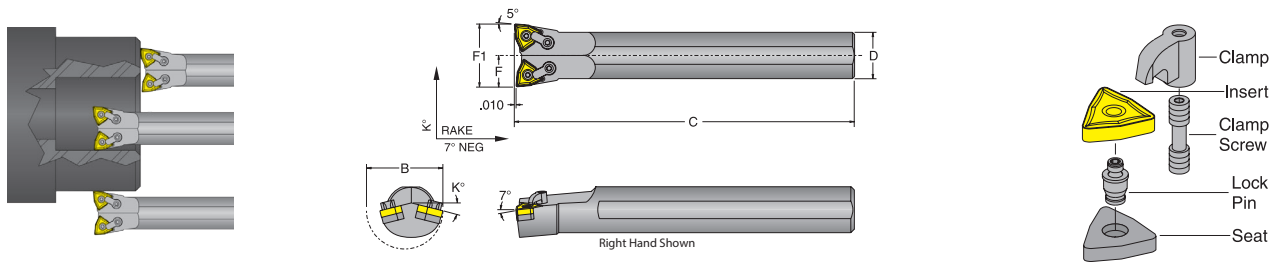


Boring & Threading

Inch Description	UPC No. 733101-R.H.	Min. Bore B	C	D	F	F1	K°	TNM_ Gage Insert	Seat	Lock Pin	Clamp	Clamp Screw	Laydown Insert	TPI	Seat	Insert Torx Screw	Torx Key
S16Q-DTUN-3-T16	57576	1.50	7.00	1.00	.640	1.28	14°	322	ITSN-322	NL-34	CL-6	XNS-36	16ILAG60	8-48	GX-16-1	TS-16	T-10
S20R-DTUN-3-T16	57578	1.75	8.00	1.25	.765	1.53	14°										
S16T-DTUN-3-T16	57580	1.50	12.00	1.00	.640	1.28	14°										

For Turning inserts see pages A-62 - A-91. For spare parts see pages B-91-B-92.

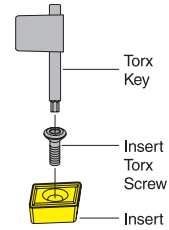
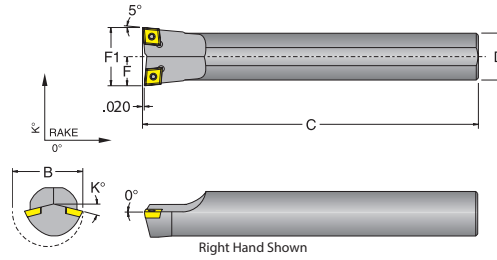
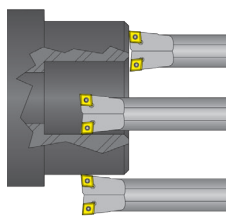
S-DWLN R Boring Bar Style L - Negative 5° End or Side Cutting Edge Angle for negative 80° trigon WNM_ inserts



Inch Description	UPC No. 733101-R.H.	Min. Bore B	C	D	F	F1	K°	WNM_ Gage Insert	Seat	Lock Pin	Clamp	Clamp Screw
S12M-DWLN-3	57610	1.25	6.00	0.75	.500	1.00	14°	332	-	NL-33L	HC-7	SHC-7
S16Q-DWLN-3	57614	1.50	7.00	1.00	.640	1.28	14°					
S16T-DWLN-4	57618	1.50	12.00	1.00	.665	1.33	14°	432	-	NL-44	CL-6	XNS-36
S16Q-DWLN-4	57617	1.50	7.00	1.00	.665	1.53	14°					
S20R-DWLN-4	57620	1.75	8.00	1.25	.890	1.53	14°	432	IWSN-433	NL-46	CL-6	XNS-36
S20U-DWLN-4	57622	1.75	14.00	1.25	.765	1.53	14°					
S24U-DWLN-4	57626	2.00	14.00	1.50	.890	1.78	11°					

For Turning inserts see pages A-62 - A-91. For spare parts see pages B-91-B-92.

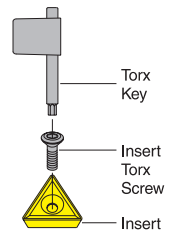
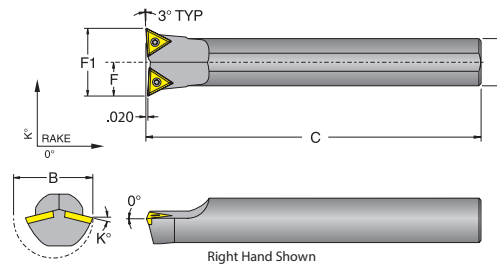
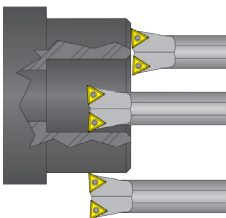
MINI S-DCLC R Boring Bar Style L - Negative 5° End or Side Cutting Edge Angle for double 7° positive 80° diamond CC_T inserts



Inch Description	UPC No. 733101-R.H.	Min.Bore B	C	D	F	F1	K°	CC_T Gage Insert	Insert Torx Screw	Torx Key
S08K-DCLC-2	57700	0.688	5.0	.500	.312	0.624	5°	21.51	TS-25.45-6M2	T-8
S10L-DCLC-2	57704	0.938	5.5	.625	.406	0.812	5°			
S12M-DCLC-3	57708	1.063	6.0	.750	.500	1.000	5°	32.52	TS-4.7-10M1	T-15
S16Q-DCLC-4	57710	1.375	7.0	1.00	.640	1.280	7°			
S20R-DCLC-4	57712	1.625	8.0	1.25	0.77	1.530	5°			

For Turning inserts see pages A-62 - A-91. For spare parts see pages B-91-B-92.

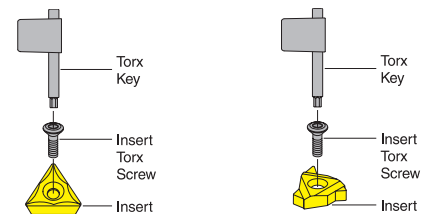
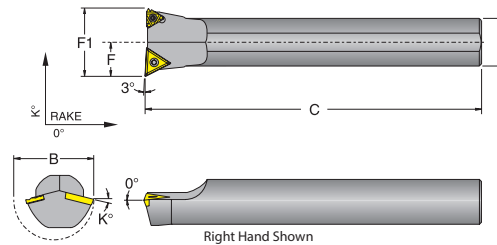
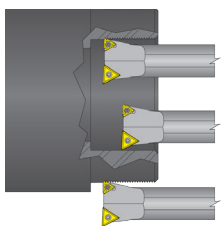
MINI S-DTUC R Boring Bar Style U - Negative 3° End or Side Cutting Edge Angle for double 7° positive triangle TC_T inserts



Inch Description	UPC No. 733101-R.H.	Min.Bore B	C	D	F	F1	K°	TC_T Gage Insert	Insert Torx Screw	Torx Key
S08K-DTUC-2	57736	0.875	5.0	0.500	.421	0.842	5°	21.51	TS-25.45-6M2	T8
S12M-DTUC-2	57744	1.062	6.0	0.750	.500	1.000	5°			
S16Q-DTUC-3	57747	1.312	7.0	1.000	.640	1.280	5°	32.52	TS-4.7-10M1	T-15
S20R-DTUC-3	57750	1.625	8.0	1.250	.770	1.530	5°			

For Turning inserts see pages A-62 - A-91. For spare parts see pages B-91-B-92.

MINI S-DTUC-T R Bar Style U - Negative 3° End or Side Cutting Edge Angle for one 7° positive triangle TC_T & one Laydown inserts

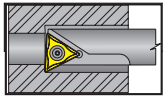


Boring & Threading

Inch Description	UPC No. 733101-R.H.	Min.Bore B	C	D	F	F1	K°	TC_T Gage Insert	Seat	Lock Pin	Laydown Insert	TPI	Insert Torx Screw	Torx Key
S08K-DTUC-2-T11	57758	0.875	5.0	0.500	.421	0.842	5°	21.51	TS-25.45-6M2	T-8	11ILA60	16-48	TS-25.45-6M2	T-8
S10L-DTUC-2-T11	57762	1.000	5.5	0.625	.437	0.874	5°							
S12M-DTUC-2-T11	57766	1.062	6.0	0.750	.500	1.000	5°							
S16Q-DTUC-3-T16	57770	1.312	7.0	1.000	.640	1.280	5°	32.52	TS-4.7-10M1	T-15	16ILA60	8-48	TS-16	T-10
S20R-DTUC-3-T16	57772	1.625	8.0	1.250	.770	1.530	5°							

For Turning inserts see pages A-62 - A-91. For spare parts see pages B-91-B-92.

Minuature & Medium Boring Bars



STUCR Miniature Boring Set

Min. bore .286"

Negative 3° End Cutting Edge Angle
for 7° positive 60° triangle inserts

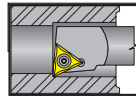
- Small hole boring without the use of reamers
- Greater productivity through better tool utilization
- Close tolerances
- Eliminates reamers
- Better surface finish
- Alloy steel boring bar



Set Offers:

- 3 Boring Bars
- 10 Inserts

Set UPC No. 733101-	Shank Size	Min. Bore	15 Piece Set Includes			
			(3) Boring Bars	(10) Inserts	(1) Torx Key	(1) Storage Box
85076	.500 .500 .500	.286 .313 .374	S08H-STUCR-1.2-2 S08H-STUCR-1.2-3 S08H-STUCR-1.2-4	TCMT-1.21.20.2-PEF- DPC25UT	T-6	Storage Box



TPBN Medium Boring Set

Negative 5° End Cutting Edge Angle
for 11° positive 60° triangle inserts

**For a Precise Bore
With a Quality Boring Bar**

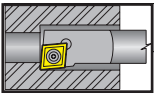
From Roughing To Finishing,
Square Shoulders to Through Bores



Set Offers:

- 4 Boring Bars
- 20 Inserts

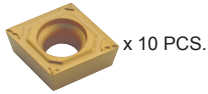
Set UPC No. 733101-	Shank Size	Min. Bore	27 Piece Set Includes			
			(4) Boring Bars	(20) Inserts	(2) Torx Keys	(1) Storage Box
85086	.500 .500 .625 .750	.430 .590 .682 .845	TPBN06-2 TPBN08-2 TPBN10-2 TPBN12-3	(10) TPGH-21.51-EZ-DPP30GT (10) TPGH-321-EZ-DPP30GT	T-8 T-10	Storage Box



SCLCR Miniature Boring Set

Negative 5° End Cutting Edge Angle
for 7° positive 80° diamond inserts

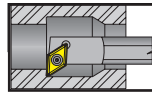
- Precision finishing operation
- For steel & stainless steel
- Sharp cutting edge
- Good chip control



Set Offers:

- 3 Boring Bars
- 10 Inserts

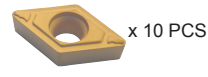
Set UPC No. 733101-	Shank Size	Min. Bore	15 Piece Set Includes			
			(3) Boring Bars	(10) Inserts	(1) Torx Key	(1) Storage Box
85064	.375 .500 .625	.394 .550 .708	S06H-SCLCR-2 S08K-SCLCR-2 S10M-SCLCR-2	CCMT-21.51- PEM-DPC25UT	T-8	Storage Box



SDUCR Miniature Boring Set

Negative 3° End Cutting Edge Angle
for 7° positive 55° diamond inserts

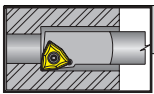
- Precision finishing operation
- For steel & stainless steel
- Sharp cutting edge
- Good chip control



Set Offers:

- 3 Boring Bars
- 10 Inserts

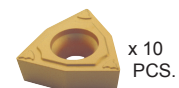
Set UPC No. 733101-	Shank Size	Min. Bore	15 Piece Set Includes			
			(3) Boring Bars	(10) Inserts	(1) Torx Key	(1) Storage Box
85068	.375 .500 .625	.492 .610 .768	S06H-SDUCR-2 S08K-SDUCR-2 S10M-SDUCR-2	DCMT-21.51- PEF-DPC25UT	T-8	Storage Box



SWUCR Medium Boring Set

Negative 3° End Cutting Edge Angle
for 7° positive 80° trigon inserts

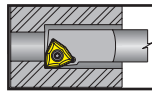
- Precision finishing operation
- For steel & stainless steel
- Sharp cutting edge
- Good chip control



Set Offers:

- 3 Boring Bars
- 10 Inserts

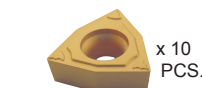
Set UPC No. 733101-	Shank Size	Min. Bore	15 Piece Set Includes			
			(3) Boring Bars	(10) Inserts	(1) Torx Key	(1) Storage Box
85072	.375 .500 .625	.394 .550 .708	S06H-SWUCR-2 S08K-SWUCR-2 S10M-SWUCR-2	WCGT-21.51- UEU-DUP15VT	T-8	Storage Box



SWUCR Miniature Boring Set

Negative 3° End Cutting Edge Angle
for 7° positive 80° trigon inserts

- Precision finishing operation
- For steel & stainless steel
- Sharp cutting edge
- Good chip control



Set Offers:

- 3 Boring Bars
- 10 Inserts

Set UPC No. 733101-	Shank Size	Min. Bore	15 Piece Set Includes			
			(3) Boring Bars	(10) Inserts	(1) Torx Key	(1) Storage Box
85070	.500 .500 .500	.228 .308 .374	S08H-SWUCR-1.2-2 S08H-SWUCR-1.2-3 S08H-SWUCR-1.2-4	WCMT-1.210.2-PEF- DPC25UT	T-6	Storage Box

Finger Clamp		Part No.	B	C	D	E	G	Thread	PKG.
	Desc.	733101-							
	CL-5	90680	.280	.52	.350	.102	-	10-32	10
	CL-6	90681	.310	.58	.440	.187	.094	10-32	
	CL-7	90682	.310	.64	.310	.082	-	10-32	
	CL-9	90683	.430	.75	.660	.344	.125	5/16-24	
	CL-12	90684	.430	.88	.660	.344	.125	5/16-24	
	CL-19	90685	.310	.55	.310	.062	-	10-32	
	CL-20	90686	.375	.73	.380	.125	-	1/4-28	
	CL-24	90687	.491	1.0	.785	.453	.136	3/8-24	
	CL-30	90688	.430	1.0	.660	.344	.125	5/16-24	

Dor-Lock Clamp		Part No.	Dor-Lock Clamp				PKG.
	Desc.	733101-					
	DC-5N	90151					10
	DCTW-3N	90153					
	DCTW-4N	53256					
	DD-4N	90152					
DV-3N	90154						

Dor-Lock Clamp Screw		Part No.	Dor-Lock Clamp Screw				PKG.
	Desc.	733101-					
DCS-04	90155					10	

Dor-Lock Clamp Spring		Part No.	Dor-Lock Clamp Spring				PKG.
	Desc.	733101-					
DSP-04	90156					10	

Negative Lock Pins		Part No.	Insert I.C.	Nominal Length	Thread	Hex Wrench Size	PKG.	
	Desc.	733101-						
	Inch							
	NL-23	90472	.250	.328	8-32	1/16	10	
	NL-33	90473	.375	.344	10-32	5/64		
	NL-33L	90474	.375	.406	10-32	5/64		
	NL-34	90475	.375	.453	10-32	5/64		
	NL-34L	90476	.375	.516	10-32	5/64		
	NL-43	90477	.500	.420	10-32	5/64		
	NL-44	90478	.500	.516	1/4-28	3/32		
	NL-46	90479	.500	.672	1/4-28	3/32		
	NL-46L	90480	.500	.730	1/4-28	3/32		
	NL-56	90481	.625	.703	5/16-24	1/8		
	NL-57	90482	.625	.810	5/16-24	1/8		
	NL-58	90483	.625	.859	5/16-24	1/8		
	NL-58L	90484	.625	.890	5/16-24	1/8		
	NL-66	90485	.750	.703	3/8-24	9/64		
	NL-66L	90486	.750	.828	3/8-24	9/64		
	NL-68	90487	.750	.859	3/8-24	9/64		
	NL-68L	90488	.750	.953	3/8-24	9/64		
	NL-808	90489	1.00	.940	7-16-20	5/32		
NL-810	90490	1.00	1.17	7-16-20	5/32			
Metric								
S535	91320	09	5	-	2.5	10		
S635	91321	12	6	-	3.0			
S840	91322	16	8	-	3.0			
S990	91323	19	10.5	-	3.0			
P0502	91324	16	16	-	--			
P0602	91325	08	15	-	--			
S311	91326	16	11	-	4.0			

Positive Lock Pins		Part No.	Insert I.C.	Nominal Length	Hex Wrench Size	PKG.
	Desc.	733101-				
	PL-46	90495	.500	.672	3/32	10
	PL-58	90496	.625	.859	1/8	
PL-68	90497	.750	.859	9/64		

Finger Clamp Screws		Part No.	A	B	C	Thread Size	Hex Wrench Size	PKG.
	Desc.	733101-						
	XNS-26	90900	0.750	.31	.31	8-32	5/64	10
	XNS-35	90901	0.625	.22	.22	10-32	3/32	
	XNS-36	90902	0.750	.25	.25	10-32	3/32	
	XNS-37	90903	0.840	.31	.31	10-32	3/32	
	XNS-38	90904	1.000	.37	.37	10-32	3/32	
	XNS-46	90905	0.750	.31	.31	1/4-28	1/8	
	XNS-47	90906	0.875	.28	.28	1/4-28	1/8	
	XNS-48	90907	1.000	.37	.37	1/4-28	1/8	
	XNS-58	90910	1.000	.50	.28	5/16-24	5/32	
	XNS-59	90911	1.125	.47	.41	5/16-24	5/32	
	XNS-510	90908	1.250	.50	.50	5/16-24	5/32	
XNS-610	90912	1.250	.50	.50	3/8-24	3/16		

Profiling Clamp Pin and Spring		Part No.	Clamp Pin		Spring	PKG.
	Desc.	733101-				
	SC510	91330				10
	M428	91331				10

Wedge Lock Clamps / Profiling Clamps		Part No.	Wedge Lock Clamp		Profiling Clamps	PKG.
	Desc.	733101-				
	C6016N	91332			10	
	C8008N	91333				
	SKN16R	91334			10	
SKN16L	91335					

Wedge Clamp Screws		Part No.	Length	Thread	Hex Wrench Size	PKG.
	Desc.	733101-				
	V6016	91336	23	M5	2.5	10
	V8008N	91337	23	M6	3.0	10

Bridge Clamps		Part No.	L	D	H	PKG.
	Desc.	733101-				
	HC-7	90915	.469	.313	.172	10
	HC-9	90917	.625	.375	.203	
HC-12	90919	.812	.500	.266		

Bridge Clamp Screws		Part No.	Length	Thread	Hex Wrench Size	PKG.
	Desc.	733101-				
	SHC-7	90920	.375	8-32	3-32	10
	CS-94	90921	.580	10-32	1/8	
	CS-96	90923	.840	10-32	1/8	
CS-126	90925	.860	1/4-28	5/32		

Bridge Clamp Screw Clip		Part No.	Length	PKG.
	Desc.	733101-		
	CLP-9	90928	.312	10
CLP-12	90930	.422		

Lever Locks		Part No.	Lever Lock		Hex Wrench Size	PKG.
	Desc.	733101-				
	LV01	91338			10	
	LV02	91339				
	LV05	91340				
	LV06	91341				
	LV09	91342				

Lever Screws		Part No.	Lever	Hex Wrench Size	PKG.
	Desc.	733101-			
	V0601	91344	LV01	3.0	10
	V0802	91345	LV02	3.0	
	V0805	91346	LV05	3.0	
	V1006	91347	LV06	4.0	
	V1209	91348	LV09	4.0	

Positive Insert Torx Screw		Part No.	I.C.	Torx Key	PKG.
	Desc.	733101-			
	TS-06	91306	0.156	T-6	10
	TS-103-4M1	90956	0.500	T-20	
	TS-18.35-1.5M1	91305	0.188	T-6	
	TS-18.35-1M1	91304	0.156	T-6	
	TS-25.45-6M2	90972	0.250	T-8	
	TS-25.45-8M2	90974	0.250	T-8	
	TS-3.5-7M1	90971	0.315	T-8	
	TS-35.6-9M1	90973	0.394	T-15	
	TS-4.7-10M1	90982	0.375	T-15	
	TS-4.7-8M1	90976	0.375	T-15	
	TS-44-3-M	90937	0.375	T-10	
	TS-44-4-M	90939	0.375	T-10	
	TS-5.8-10M1	90986	0.500	T-20	
	TS-83-4M1	90950	0.500	T-20	

Seat Screw		Part No.	I.C.	Hex Wrench Size	PKG.
	Desc.	733101-			
	TS-4	90931	.375 or .500	T-10	10
	TS-6	90944	.500 or .750	T-20	
TS-10	90955	.625	T-25		

Metric		Part No.	I.C.	Thread	Hex Wrench Size	PKG.
	Desc.	733101-				
	S-34	91295	.375	10-32	5/64	10
	S-46	91296	.500	1/4-28	3/32	
	S-58	91297	.625	5/16-24	1/8	
	S-68	91298	.750	3/8-24	9/64	
	SM-M3	53318	.375	M3	2.5	
SM-M3-T	53302	.375	M3	2.5		
SM-M4-245	53311	.375	M4	2.5	10	
SM-M4	53319	.500	M4	2.5		
SM-M6	53320	.625	M6	4.0		

Metric		Part No.	I.C.	Thread	Hex Wrench Size	PKG.
	Desc.	733101-				
	V83006	91327	16	M-3	2.5	10
	B0509	91328	11-16	M-5	3.5	
B0609	91329	12	M-6	4.0		

Torx Keys		Part No.	Desc.	Part No.	Desc.	Part No.	Desc.
	Desc.	733101-					
	T-6	92001	T-15	92006			
	T-7	92002	T-20	92007			
	T-8	92003	T-25	92008			
	T-9	92004	T-30	92009			
	T-10	92005					

Spare Parts for Turning and Boring

Triangle Chipbreakers		Desc.	Part No.733101-	I.C.	Effective Width W	PKG.
		T2AC	90446	.250	.060	10
		T3AC	90452	.375	.060	
		T3AE	90453	.375	.090	
		T3AG	90454	.375	.125	
		T4AC	90459	.500	.060	
		T4AE	90460	.500	.090	
		T4AG	60461	.500	.125	
		T5AC	90465	.625	.100	
		T5AG	90466	.625	.140	
		T5AJ	90467	.625	.180	

Square Chipbreakers		Desc.	Part No.733101-	I.C.	Effective Width W	PKG.
		S3BC	90440	.375	.060	10
		S4BE	90442	.500	.060	
		S6BG	90444	.750	.125	

Positive Square Shim Seats		Desc.	Part No.733101-	A	T	R	PKG.
		Inch					10
		SM-40	90373	.500	.1250	.0156	
		SM-36	90374	.750	.1250	.0469	
		Metric					10
		S9012P	90370	11,4	3,18	0,8	

Positive 80° Diamond Shim Seats		Desc.	Part No.733101-	A	T	R	PKG.
		Metric					10
		S8012P	53291	11,4	3,18	0,8	

Positive 55° Diamond Shim Seats		Desc.	Part No.733101-	A	T	R	PKG.
		Metric					10
		S5515P	91351	8,4	3,18	0,8	

Positive 35° Diamond Shim Seats		Desc.	Part No.733101-	A	T	R	PKG.
		Metric					10
		S3516P	53299	8,4	3,18	0,8	
		S3516	91350	8,4	3,18	0,8	

Profiling Shim Seats		Desc.	Part No.733101-	A	T	R	PKG.
		Metric					10
		CKN16R	91353	14,5	4,76	1,0	
		CKN16L	91354	14,5	4,76	1,0	

Positive Triangle Shim Seats		Desc.	Part No.733101-	A	T	R	PKG.
		Inch					10
		SM-41	90367	.332	.1250	.0156	
		SM-37	90366	.452	.1250	.0312	
		SM-99	90371	.540	.1875	.0469	
		Metric					10
		S6016P	91355	8,8	3,18	0,8	

Positive Round Shim Seats		Desc.	Part No.733101-	A	T	PKG.
		RS-43P	90375	.500	.1875	10
		RS-63P	90377	.750	.1875	
		RS-83P	90378	1.00	.1875	

Negative 80° Diamond Seats		Desc.	Part No.733101-	A	T	R	PKG.
		Inch					10
		ICSN-322	90003	.375	.1250	.0312	
		ICSN-332	90007	.375	.1875	.0312	
		ICSN-422	90004	.500	.1250	.0312	
		ICSN-423	90005	.500	.1250	.0469	
		ICSN-433	90008	.500	.1875	.0469	
		ICSN-533	90010	.625	.1875	.0469	
		ICSN-633	90012	.750	.1875	.0469	
		JC-432	90111	.500	.1250	.0312	
		JC-533	90112	.625	.1875	.0469	
		Metric					10
		S8009N	91356	8,5	3,18	0,8	
		S8012N	91357	11,4	3,18	1,2	
		S8016N	91358	14,6	4,76	1,4	
		S8019N	91359	18,0	4,76	1,6	

Negative 55° Diamond Seats		Desc.	Part No.733101-	A	T	R	PKG.
		Inch					10
		IDSN-322	90016	.375	.1250	.0312	
		IDSN-423	90018	.500	.1250	.0469	
		IDSN-433	90021	.500	.1875	.0469	
		IDSN-533	90024	.625	.1875	.0469	
		IDSN-534	90025	.625	.1875	.0625	
		JD-432	90113	.500	.1875	.0312	
		Metric					10
		S5515N	91360	11,8	3,18	1,2	

Negative 35° Diamond Seats		Desc.	Part No.733101-	A	T	R	PKG.
		Inch					10
		IVSN-322	90065	.375	.1250	.0312	
		IVSN-324	90066	.375	.1250	.0625	
		IVSN-433	90068	.500	.1875	.0469	
		JV-322	90119	.375	.1250	.0312	

Negative Square Seats		Desc.	Part No.733101-	A	T	R	PKG.
		Inch					10
		ISSN-322	90050	.375	.1250	.0312	
		ISSN-323	90051	.375	.1250	.0469	
		ISSN-333	90054	.375	.1875	.0469	
		ISSN-423	90056	.500	.1250	.0469	
		ISSN-433	90059	.500	.1875	.0469	
		ISSN-533	90060	.625	.1875	.0469	
		ISSN-633	90062	.750	.1875	.0469	
		ISSN-634	90063	.750	.1875	.0625	
		ISSN-846	90064	1.00	.2500	.0937	
		JS-432	90114	.500	.1875	.0312	
		JS-533	90115	.625	.1875	.0469	
		Metric					10
		S9012N	91361	11,4	3,8	0,8	

Negative Round Seats		Desc.	Part No.733101-	A	T	PKG.	
		Inch					10
		IRSN-32	90030	.375	.1250		
		IRSN-43	90031	.500	.1875		
		IRSN-53	90032	.625	.1875		
		IRSN-63	90033	.750	.1875		
		IRSN-84	90034	1.00	.2500		

Negative 80° Trigon Seats		Desc.	Part No.733101-	A	T	R	PKG.
		Inch					10
		IWSN-322	90070	.375	.1250	.0312	
		IWSN-432	90071	.500	.1875	.0312	
		IWSN-433	90072	.500	.1875	.0469	
		IWSN-533	90073	.625	.1875	.0469	
		Metric					10
		S8008P	91362	12,5	3,18	1,0	

Negative Triangle Seats		Desc.	Part No.733101-	A	T	R	PKG.
		Inch					10
		ITSN-322	90084	.375	.1250	.0312	
		ITSN-323	90085	.375	.1250	.0469	
		ITSN-324	90086	.375	.1250	.0625	
		ITSN-332	90087	.375	.1875	.0312	
		ITSN-333	90088	.375	.1875	.0469	
		ITSN-334	90089	.375	.1875	.0625	
		ITSN-423	90090	.500	.1250	.0469	
		ITSN-433	90093	.500	.1875	.0469	
		ITSN-434	90094	.500	.1875	.0625	
		ITSN-533	90098	.625	.1875	.0469	
		ITSN-534	90099	.625	.1875	.0625	
		ITSN-633	90105	.750	.1875	.0469	
		ITSN-636	90106	.750	.1875	.0937	
		JT-322	90117	.375	.1250	.0312	
		JT-433	90116	.500	.1875	.0469	
		Metric					10
		S6016P	91363	8,4	3,18	0,8	