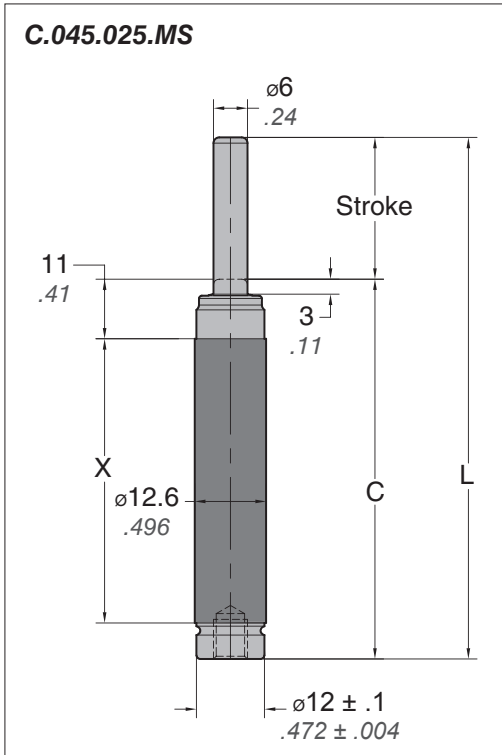


C.045 Micro Sleeve

DADCO offers a micro sleeve to increase the diameter of the **Micro 45™** Nitrogen Gas Springs for customers with existing 13 mm or 1/2" pockets.



Part No.	Stroke mm inch	C	L ± 0.4 ± 0.015	X
• C.045.007	07 .28	49 1.93	56 2.205	32 1.27
C.045.010	10 .39	52 2.05	62 2.441	32 1.27
C.045.013	12.7 .50	54.7 2.15	67.4 2.654	32 1.27
• C.045.015	15 .59	57 2.24	72 2.835	32 1.27
• C.045.025	25 .98	67 2.64	92 3.622	50 1.97
• C.045.038	38 1.50	80 3.15	118 4.646	50 1.97
• C.045.050	50 1.97	92 3.62	142 5.591	75 2.96
C.045.063	63.5 2.50	108.5 4.27	172 6.772	75 2.96
C.045.080	80.0 3.15	125 4.92	205 8.071	108 4.26

• Preferred Sizes

Force on Contact – Adjustable Black Model

Imperial

Metric

Force Chart	Initial lb. daN	Final lb. daN	Pressure psi bar
Yellow – YW	112 50	166 74	2560 177
Red – RD	84 37	124 55	1920 132
Blue – BU	56 25	83 37	1280 88
Green – GR	28 12	41 18	640 44
Black – BK	See Charts		

Pressure (psi)	Force (lb.-f)
2560	112
2200	96
2000	88
1750	77
1500	66
1000	44
500	22
260	11

$$P = F \div .044 \quad F = P \times .044$$

Pressure (bar)	Force (daN)
177	50
150	42
125	35
100	28
75	21
50	14
35	10
18	5

$$P = F \div .283 \quad F = P \times .283$$

Ordering Example:

C.045.007.MS.GR

Part Number

Includes Series, Model and Stroke Length

Mount Option

MS = Micro Sleeve
Micro Sleeve will be attached to the cylinder at the factory.

Force

YW, RD, BU, GR

BK – Black adjustable model - specify pressure:
260 – 2560 psi, 18 – 177 bar.

Adjustable Model Ordering Example:

C.045.007.MS.BK.150