

DEWALT®



**Instruction Manual
Guide D'utilisation
Manual de instrucciones**

DCL079

**20V Max* Cordless Tripod Light
Lampe sur trépied sans fil 20 V max*
Luz de tripié inalámbrica 20 V Máx***

www.DEWALT.com

**If you have questions or comments, contact us.
Pour toute question ou tout commentaire, nous contacter.
Si tiene dudas o comentarios, contáctenos.**

1-800-4-DEWALT

ENGLISH

English (***original instructions***) 1

Français (*traduction de la notice d'instructions originale*) 10

Español (*traducido de las instrucciones originales*) 20

Definitions: Safety Alert Symbols and Words

This instruction manual uses the following safety alert symbols and words to alert you to hazardous situations and your risk of personal injury or property damage.



DANGER: Indicates an imminently hazardous situation which, if not avoided, **will** result in **death or serious injury**.



WARNING: Indicates a potentially hazardous situation which, if not avoided, **could** result in **death or serious injury**.



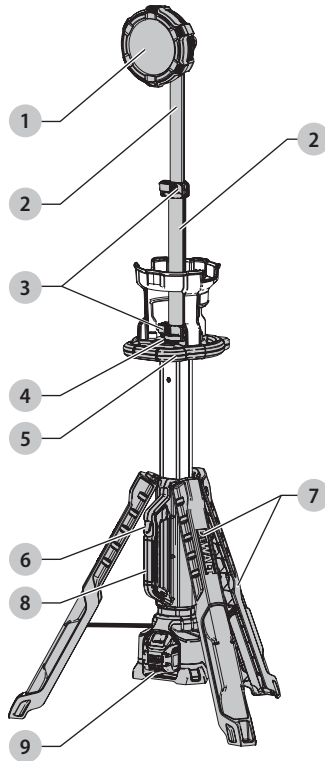
CAUTION: Indicates a potentially hazardous situation which, if not avoided, **may** result in **minor or moderate injury**.



(Used without word) Indicates a safety related message.

NOTICE: Indicates a practice **not related to personal injury** which, if not avoided, **may** result in **property damage**.

Fig. A



- 1 LED Light head
- 2 Extension pole
- 3 Latches
- 4 On/Off button
- 5 Handle/Rest
- 6 Leg release button
- 7 Legs
- 8 Carrying handle
- 9 Battery port



WARNING! Read all safety warnings and all instructions. Failure to follow the warnings and instructions may result in electric shock, fire and/or serious injury.



WARNING: To reduce the risk of injury, read the instruction manual.

If you have any questions or comments about this or any DeWALT tool, call us toll free at: 1-800-4-DeWALT (1-800-433-9258).

Important Safety Instructions

⚠ WARNING! When using the tripod light, basic precautions should always be followed, including the following:

- a) Read all the instructions before using the tripod light.
- b) To reduce the risk of injury, close supervision is necessary when a tripod light is used near children.
- c) Avoid contact with hot parts.
- d) **Do not operate any tripod light after it has received a sharp blow, malfunctions or is dropped or damaged in any manner.** Return tripod light to the nearest authorized service facility for examination, repair, or electrical or mechanical adjustment.
- e) **To reduce the risk of electrical shock, do not put tripod light in water or other liquid.** Do not place or store tripod light where it can fall or be pulled into a tub or sink.
- f) Only use attachments recommended or sold by the manufacturer.
- g) **Risk of electric shock. Do not expose to rain.** Store indoors.
- h) **To reduce the risk of injury, do not stare at operating lamp.** Serious eye injury could occur.

SAVE THESE INSTRUCTIONS

Specific Safety Rules for Tripod Lights

⚠ WARNING: Fire hazard. Do not operate tripod light near flammable liquids or in gaseous or explosive atmospheres. Internal sparks may ignite fumes causing personal injury.

- Do not submerge tripod light in any liquid.
- The tripod light is intended for commercial and household use.
- Before using battery and tripod light, read all instructions and cautionary markings on tripod light and battery pack.
- This appliance is not intended for use by persons (including children) with reduced physical, sensory or mental capabilities, or lack of experience and knowledge, unless they have been given supervision or instruction concerning use of the appliance by a person responsible for their safety.
- Store the tripod light indoors when not in use. Keep out of reach of children.
- DO NOT attempt to charge the battery pack with any chargers other than the ones in this manual. The tripod light and battery pack are specifically designed to work together.
- Place the tripod light away from any heat source.
- Do not disassemble tripod light. Take it to an authorized service center when service or repair is required. Incorrect

reassembly may result in a risk of electric shock, electrocution or fire.













- The DCL079 tripod light is designed to operate on fully charged DEWALT 20V Max* or FLEXVOLT™ lithium-ion battery packs. Do not use any other voltage.
- While transporting, be sure the light head is collapsed to its lowest position, the extension poles are locked, and the tripod's legs collapsed and locked into their carrying position.

⚠ WARNING: To reduce the risk of fire, do not place anything on top of the lens during or after operation of the light.

⚠ WARNING: Do not place the tripod light in a position which may cause anyone to intentionally or unintentionally stare into the light head. Serious eye injury could result.

⚠ CAUTION: Only use tripod light on stable surface. Do not raise above work space/personnel via lifting, hoisting, mounting, or suspension.


The label on your tripod light may include the following symbols. The symbols and their definitions are as follows:

V	volts	 Class II Construction (double insulated)
Hz	hertz	n ₀	no load speed
min	minutes	n	rated speed
— — — or DC	direct current	 earthing terminal
 Class I Construction (grounded)	 safety alert symbol
... /min	per minute	 visible radiation
BPM	beats per minute	 wear respiratory protection
IPM	impacts per minute	 wear eye protection
RPM	revolutions per minute	 wear hearing protection
sfpm	surface feet per minute	 read all documentation
SPM	strokes per minute	 hot surface
A	amperes	 on/off button
W	watts	 pinch/crush hazard
~ or AC	alternating current		
⎓ or AC/DC	alternating or direct current		

Important Safety Instructions for the Tripod Light

⚠ WARNING: Read all safety warnings and all instructions for the battery pack and tripod light. Failure to follow the warnings and instructions may result in electric shock, fire and/or serious injury.

- The tripod light is intended for workspace lighting only. Use as directed. Any other uses may result in risk of fire, electric shock or electrocution.
- Do not expose the tripod light to rain or snow.
- When operating the tripod light outdoors, always provide a dry location.

⚠ CAUTION: When not in use, place tripod light on its side resting on the stand portion of the handle/rest  on a stable surface where it will not cause a tripping or falling hazard.

BATTERIES AND CHARGERS

The battery pack is not fully charged out of the carton. Before using the battery pack and charger, read the safety instructions below and then follow charging procedures outlined. When ordering replacement battery packs, be sure to include the catalog number and voltage. Your tool uses a DeWALT charger. Be sure to read all safety instructions before using your charger. Consult the chart at the end of this manual for compatibility of chargers and battery packs.

READ ALL INSTRUCTIONS

Important Safety Instructions for All Battery Packs



WARNING: Read all safety warnings and all instructions for the battery pack, charger and tripod light. Failure to follow the warnings and instructions may result in electric shock, fire and/or serious injury.

- **Do not charge or use the battery pack in explosive atmospheres, such as in the presence of flammable liquids, gases or dust.** Inserting or removing the battery pack from the charger may ignite the dust or fumes.
- **NEVER force the battery pack into the charger. DO NOT modify the battery pack in any way to fit into a non-compatible charger as battery pack may rupture causing serious personal injury.** Consult the chart at the end of this manual for compatibility of batteries and chargers.
- Charge the battery packs only in designated DeWALT chargers.
- **DO NOT splash or immerse in water or other liquids.**
- **Do not store or use the tool and battery pack in locations where the temperature may reach or exceed 104 °F (40 °C) (such as outside sheds or metal buildings in summer).** For best life store battery packs in a cool, dry location.
- **NOTE: Do not store the battery packs in a tool with the trigger switch locked on. Never tape the trigger switch in the ON position.**
- **Do not incinerate the battery pack even if it is severely damaged or is completely worn out.** The battery pack can explode in a fire. Toxic fumes and materials are created when lithium ion battery packs are burned.
- **If battery contents come into contact with the skin, immediately wash area with mild soap and water.** If battery liquid gets into the eye, rinse water over the open eye for 15 minutes or until irritation ceases. If medical attention is needed, the battery electrolyte is composed of a mixture of liquid organic carbonates and lithium salts.
- **Contents of opened battery cells may cause respiratory irritation.** Provide fresh air. If symptoms persist, seek medical attention.



WARNING: Burn hazard. Battery liquid may be flammable if exposed to spark or flame.



WARNING: Fire hazard. Never attempt to open the battery pack for any reason. If the battery pack case is cracked or damaged, do not insert into the charger.

Do not crush, drop or damage the battery pack. Do not use a battery pack or charger that has received a sharp blow, been dropped, run over or damaged in any way (e.g., pierced with a nail, hit with a hammer, stepped on). Damaged battery packs should be returned to the service center for recycling.

Transportation



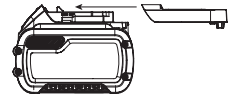
WARNING: Fire hazard. Do not store or carry the battery pack so that metal objects can contact exposed battery terminals. For example, do not place the battery pack in aprons, pockets, tool boxes, product kit boxes, drawers, etc., with loose nails, screws, keys, etc. **Transporting batteries can possibly cause fires if the battery terminals inadvertently come in contact with conductive materials such as keys, coins, hand tools and the like.** The US Department of Transportation Hazardous Material Regulations (HMR) actually prohibit transporting batteries in commerce or on airplanes in carry-on baggage UNLESS they are properly protected from short circuits. So when transporting individual battery packs, make sure that the battery terminals are protected and well insulated from materials that could contact them and cause a short circuit.

Shipping the DeWALT FLEXVOLT™ Battery

The DeWALT FLEXVOLT™ battery has two modes: **Use** and **Shipping**.

Use Mode: When the FLEXVOLT™ battery stands alone or is in a DeWALT 20V Max* product, it will operate as a 20V Max* battery. When the FLEXVOLT™ battery is in a 60V Max* or a 120V Max* (two 60V Max* batteries) product, it will operate as a 60V Max* battery.

Shipping Mode: When the cap is attached to the FLEXVOLT™ battery, the battery is in Shipping Mode. Strings of cells are electrically



disconnected within the pack resulting in three batteries with a lower Watt hour (Wh) rating as compared to one battery with a higher Watt hour rating. This increased quantity of three batteries with the lower Watt hour rating can exempt the pack from certain shipping regulations that are imposed upon the higher Watt hour batteries. The battery label indicates two Watt hour ratings (see example). Depending on how the battery is shipped, the appropriate Watt hour rating must be used to determine the applicable shipping requirements. If utilizing the shipping cap, the pack will be considered 3 batteries at the Watt hour rating indicated for "Shipping". If shipping without the cap or in a tool, the pack will be considered one battery at the Watt hour rating indicated next to "Use".

Example of Use and Shipping Label Marking

USE: 120 Wh Shipping: 3 x 40 Wh

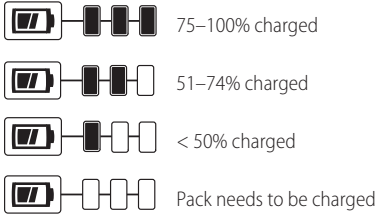
For example, Shipping Wh rating might indicate 3 x 40 Wh, meaning 3 batteries of 40 Watt hours each. The Use Wh rating might indicate 120 Wh (1 battery implied).

ENGLISH

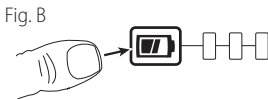
Fuel Gauge Battery Packs (Fig. B)

Some DeWALT battery packs include a fuel gauge which consists of three green LED lights that indicate the level of charge remaining in the battery pack.

The fuel gauge is an indication of approximate levels of charge remaining in the battery pack according to the following indicators:



To actuate the fuel gauge, press and hold the fuel gauge button. A combination of the three green LED lights will illuminate designating the level of charge left. When the level of charge in the battery is below the usable limit, the fuel gauge will not illuminate and the battery will need to be recharged.



NOTE: The fuel gauge is only an indication of the charge left on the battery pack. It does not indicate tool functionality and is subject to variation based on product components, temperature and end-user application.

For more information regarding fuel gauge battery packs, please contact call 1-800-4-DeWALT (1-800-433-9258) or visit our website www.dewalt.com.

The RBRC® Seal

The RBRC® (Rechargeable Battery Recycling Corporation) Seal on the nickel cadmium, nickel metal hydride or lithium-ion batteries (or battery packs) indicates that the costs to recycle these batteries (or battery packs) at the end of their useful life have already been paid by DeWALT. In some areas, it is illegal to place spent nickel cadmium, nickel metal hydride or lithium-ion batteries in the trash or municipal solid waste stream and the Call 2 Recycle® program provides an environmentally conscious alternative.



Call 2 Recycle, Inc., in cooperation with DeWALT and other battery users, has established the program in the United States and Canada to facilitate the collection of spent nickel cadmium, nickel metal hydride or lithium-ion batteries. Help protect our environment and conserve natural resources by returning the spent nickel cadmium, nickel metal hydride or lithium-ion batteries to an authorized DeWALT service center or to your local retailer for recycling. You may also contact your local recycling center for information on where to drop off the spent battery. RBRC® is a registered trademark of Call 2 Recycle, Inc.

Important Safety Instructions for All Battery Chargers

⚠ WARNING: Read all safety warnings and all instructions for the battery pack, charger and tripod light. Failure to follow the warnings and instructions may result in electric shock, fire and/or serious injury.

- **DO NOT attempt to charge the battery pack with any chargers other than the ones in this manual.** The charger and battery pack are specifically designed to work together.
- **These chargers are not intended for any uses other than charging DeWALT rechargeable batteries.** Any other uses may result in risk of fire, electric shock or electrocution.
- **Do not expose the charger to rain or snow.**
- **Pull by the plug rather than the cord when disconnecting the charger.** This will reduce the risk of damage to the electric plug and cord.
- **Make sure that the cord is located so that it will not be stepped on, tripped over or otherwise subjected to damage or stress.**
- **Do not use an extension cord unless it is absolutely necessary.** Use of improper extension cord could result in risk of fire, electric shock or electrocution.
- **When operating a charger outdoors, always provide a dry location and use an extension cord suitable for outdoor use.** Use of a cord suitable for outdoor use reduces the risk of electric shock.
- **An extension cord must have adequate wire size (AWG or American Wire Gauge) for safety.** The smaller the gauge number of the wire, the greater the capacity of the cable, that is, 16 gauge has more capacity than 18 gauge. An undersized cord will cause a drop in line voltage resulting in loss of power and overheating. When using more than one extension to make up the total length, be sure each individual extension contains at least the minimum wire size. The following table shows the correct size to use depending on cord length and nameplate ampere rating. If in doubt, use the next heavier gauge. The lower the gauge number, the heavier the cord.

Minimum Gauge for Cord Sets					
Volts	Total Length of Cord in Feet (meters)				
	120 V	25 (7.6)	50 (15.2)	100 (30.5)	150 (45.7)
240 V	50 (15.2)	100 (30.5)	200 (61.0)	300 (91.4)	
Ampere Rating		American Wire Gauge			
More Than	Not More Than				
0	6	18	16	16	14
6	10	18	16	14	12
10	12	16	16	14	12
12	16	14	12	Not Recommended	

- **Do not place any object on top of the charger or place the charger on a soft surface that might block the ventilation slots and result in excessive internal**

heat. Place the charger in a position away from any heat source. The charger is ventilated through slots in the top and the bottom of the housing.

- **Do not operate the charger with a damaged cord or plug.**
- **Do not operate the charger if it has received a sharp blow, been dropped or otherwise damaged in any way.** Take it to an authorized service center.
- **Do not disassemble the charger; take it to an authorized service center when service or repair is required.** Incorrect reassembly may result in a risk of electric shock, electrocution or fire.
- **Disconnect the charger from the outlet before attempting any cleaning. This will reduce the risk of electric shock.** Removing the battery pack will not reduce this risk.
- **NEVER** attempt to connect 2 chargers together.
- **The charger is designed to operate on standard 120V household electrical power. Do not attempt to use it on any other voltage.** This does not apply to the vehicular charger.



WARNING: Shock hazard. Do not allow any liquid to get inside the charger. Electric shock may result.



WARNING: Burn hazard. Do not submerge the battery pack in any liquid or allow any liquid to enter the battery pack. Never attempt to open the battery pack for any reason. If the plastic housing of the battery pack breaks or cracks, return to a service center for recycling.



CAUTION: Burn hazard. To reduce the risk of injury, charge only DEWALT rechargeable battery packs. Other types of batteries may overheat and burst resulting in personal injury and property damage.

NOTICE: Under certain conditions, with the charger plugged into the power supply, the charger can be shorted by foreign material. Foreign materials of a conductive nature, such as, but not limited to, grinding dust, metal chips, steel wool, aluminum foil or any buildup of metallic particles should be kept away from the charger cavities. Always unplug the charger from the power supply when there is no battery pack in the cavity. Unplug the charger before attempting to clean.

Wireless Certifications and Safety Information

- This device is CAN ICES-3(B)/NMB-3(B) compliant.
- This device complies with Part 15 of the FCC rules and Industry Canada License-exempt RSS standard(s). Operation is subject to the following two conditions:
 - This device may not cause harmful interference, and
 - This device must accept any interference received, including interference that may cause undesired operation.

This equipment has been tested and found to comply with the limits for a Class B digital device, pursuant to Part 15 of the FCC Rules. These limits are designed to provide reasonable protection against harmful interference in a

residential installation. This equipment generates, uses and can radiate radio frequency energy and, if not installed and used in accordance with the instructions, may cause harmful interference to radio communications. However, there is no guarantee that interference will not occur in a particular installation. If this equipment does cause harmful interference to radio or television reception, which can be determined by turning the equipment off and on, the user is encouraged to try to correct the interference by one or more of the following measures:

- Reorient or relocate the receiving antenna.
 - Increase the separation between the equipment and adaptor.
 - Connect the equipment into an outlet on a circuit different from that to which the adaptor is connected.
 - Consult the dealer or an experienced radio/TV technician for help.
- Changes or modifications to this equipment not expressly approved by the manufacturer could void the user's authority to operate the device. This Class B digital apparatus complies with Canadian ICES-003.
 - Under Industry Canada regulations, this radio transmitter may only operate using an antenna of a type and maximum (or lesser) gain approved for the transmitter by Industry Canada. To reduce potential radio interference to other users, the antenna type and its gain should be so chosen that the equivalent isotropically radiated power (e.i.r.p.) is not more than that necessary for successful communication.
 - To comply with FCC and Industry Canada RF radiation exposure limits for general population, the antenna used for this device must not be co-located or operating in conjunction with any other antenna or transmitter.

For Bluetooth® Products

- When traveling on airlines, be sure to comply with the airline restrictions on usage of personal electronic devices and Bluetooth®.
- The out of range alert feature has been designed to act as an aid to warn against products getting misplaced or stolen. It is not a security system.
- The connectivity range is up to 100 feet (30.5 meters) depending on environment and location.
- The shortwave radio frequency signals of a Bluetooth® device may impair the operation of other electronic and medical devices (such as pacemakers or hearing aids).

NOTE: The Bluetooth® word mark and logos are registered trademarks owned by the Bluetooth®, SIG, Inc. and any use of such marks by DEWALT is under license. Other trademarks and trade names are those of their respective owners.

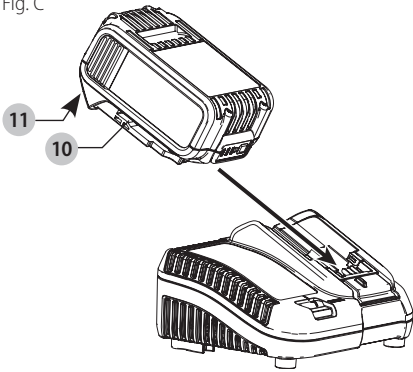
This product complies with these standards when operated with a 6 foot (1.8 meters) or shorter extension cord.

Charging a Battery (Fig. C)

1. Plug the charger into an appropriate outlet before inserting battery pack.

ENGLISH

Fig. C



2. Insert the battery pack **10** into the charger, making sure the battery pack is fully seated in the charger. The red (charging) light will blink continuously indicating that the charging process has started.
3. The completion of charge will be indicated by the red light remaining ON continuously. The battery pack is fully charged and may be used at this time or left in the charger. To remove the battery pack from the charger, push the battery release button **11** on the battery pack.

NOTE: To ensure maximum performance and life of lithium-ion battery packs, charge the battery pack fully before first use.

Charger Operation

Refer to the indicators below for the charge status of the battery pack.

DCB107, DCB112, DCB113, DCB115, DCB118, DCB132

	Charging	---	
	Fully Charged	—	
	Hot/Cold Pack Delay*	--- ---	

*DCB107, DCB112, DCB113, DCB115, DCB118, DCB132:

The red light will continue to blink, but a yellow indicator light will be illuminated during this operation. Once the battery pack has reached an appropriate temperature, the yellow light will turn off and the charger will resume the charging procedure.

The compatible charger(s) will not charge a faulty battery pack. The charger will indicate faulty battery pack by refusing to light or by displaying a problem pack or charger blink pattern.

NOTE: This could also mean a problem with a charger.

If the charger indicates a problem, take the charger and battery pack to be tested at an authorized service center.

Hot/Cold Pack Delay

When the charger detects a battery pack that is too hot or too cold, it automatically starts a Hot/Cold Pack Delay, suspending charging until the battery pack has reached an appropriate temperature. The charger then automatically switches to the pack charging mode. This feature ensures maximum battery pack life.

A cold battery pack will charge at a slower rate than a warm battery pack. The battery pack will charge at that slower rate throughout the entire charging cycle and will not return to maximum charge rate even if the battery pack warms.

The DCB118 charger is equipped with an internal fan designed to cool the battery pack. The fan will turn on automatically when the battery pack needs to be cooled.

Never operate the charger if the fan does not operate properly or if ventilation slots are blocked. Do not permit foreign objects to enter the interior of the charger.

Electronic Protection System

Li-Ion tools are designed with an Electronic Protection System that will protect the battery pack against overloading, overheating or deep discharge.

The tool will automatically turn off if the Electronic Protection System engages. If this occurs, place the lithium-ion battery pack on the charger until it is fully charged.

Wall Mounting

DCB107, DCB112, DCB113, DCB115, DCB118, DCB132

These chargers are designed to be wall mountable or to sit upright on a table or work surface. If wall mounting, locate the charger within reach of an electrical outlet, and away from a corner or other obstructions which may impede air flow. Use the back of the charger as a template for the location of the mounting screws on the wall. Mount the charger securely using drywall screws (purchased separately) at least 1" (25.4 mm) long, with a screw head diameter of 0.28–0.35" (7–9 mm), screwed into wood to an optimal depth leaving approximately 7/32" (5.5 mm) of the screw exposed. Align the slots on the back of the charger with the exposed screws and fully engage them in the slots.

Charger Cleaning Instructions

WARNING: Shock hazard. Disconnect the charger from the AC outlet before cleaning. Dirt and grease may be removed from the exterior of the charger using a cloth or soft non-metallic brush. Do not use water or any cleaning solutions.

Important Charging Notes

1. Longest life and best performance can be obtained if the battery pack is charged when the air temperature is between 65 °F and 75 °F (18 °–24 °C). DO NOT charge the battery pack in an air temperature below +40 °F (+4.5 °C), or above +104 °F (+40 °C). This is important and will prevent serious damage to the battery pack.
2. The charger and battery pack may become warm to the touch while charging. This is a normal condition, and does not indicate a problem. To facilitate the cooling of the battery pack after use, avoid placing the charger or battery pack in a warm environment such as in a metal shed or an uninsulated trailer.
3. If the battery pack does not charge properly:
 - a. Check operation of receptacle by plugging in a lamp or other appliance;
 - b. Check to see if receptacle is connected to a light switch which turns power off when you turn out the lights;

- c. Move the charger and battery pack to a location where the surrounding air temperature is approximately 65 °F – 75 °F (18 ° – 24 °C);
- d. If charging problems persist, take the tool, battery pack and charger to your local service center.
4. The battery pack should be recharged when it fails to produce sufficient power on jobs which were easily done previously. DO NOT CONTINUE to use under these conditions. Follow the charging procedure. You may also charge a partially used pack whenever you desire with no adverse effect on the battery pack.
5. Foreign materials of a conductive nature such as, but not limited to, grinding dust, metal chips, steel wool, aluminum foil, or any buildup of metallic particles should be kept away from charger cavities. Always unplug the charger from the power supply when there is no battery pack in the cavity. Unplug the charger before attempting to clean.
6. Do not freeze or immerse the charger in water or any other liquid.

Storage Recommendations

1. The best storage place is one that is cool and dry, away from direct sunlight and excess heat or cold.
2. For long storage, it is recommended to store a fully charged battery pack in a cool dry place out of the charger for optimal results.

NOTE: Battery packs should not be stored completely depleted of charge. The battery pack will need to be recharged before use.

SAVE THESE INSTRUCTIONS FOR FUTURE USE

COMPONENTS (FIG. A)

WARNING: Never modify the tripod light or any part of it. Damage or personal injury could result.

Refer to Figure A at the beginning of this manual for a complete list of components.

Intended Use

This tripod light is designed for commercial and household workspace lighting.

DO NOT use under wet conditions or in presence of flammable liquids or gases.

DO NOT let children come into contact with the tool. Supervision is required when inexperienced operators use this tool.

ASSEMBLY AND ADJUSTMENTS

WARNING: To reduce the risk of serious personal injury, turn unit off and remove the battery pack before making any adjustments or removing/installing attachments or accessories. An accidental start-up can cause injury.

WARNING: Burn hazard. The lens and heatsink get very hot during use. To reduce the risk of burns and fire, do not touch and keep away from combustible materials while in operation.

Tripod Light Setup (Fig. A)

To set up your tripod light from its collapsed carrying position, hold the handle/rest **5** with one hand then use your other hand to hold the carrying handle **8**. While pressing the leg release button **6**, slide the carrying handle **8** down until the legs extend and lock into place.

Be sure the legs are fully extended and locked into position before extending the light head pole.

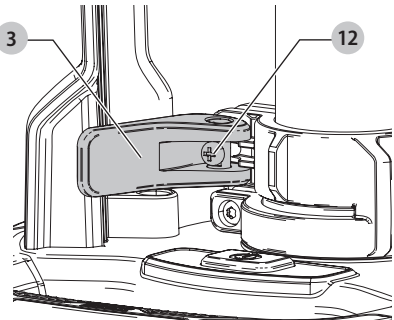
Extending the LED Light Head (Fig. A, D, E)

The height of your tripod light can be adjusted by extending or collapsing the extension poles **2**.

1. Extend the legs **7** then secure/lock them into position (refer to **Tripod Light Setup**).
2. Unfasten the top latch **3** and raise the head out of the housing. Extend the pole to the desired height.
3. Fully close the top extension latch and make sure the extension pole is locked into place.
4. For more height, unfasten the bottom latch and extend the head further to the required height.
5. Fully fasten the bottom latch and make sure the extension pole is locked into place.
6. Pivot the head to the desired angle.

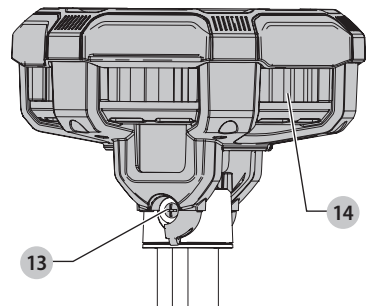
NOTE: Over time, the latches may loosen. If this happens, open the latches **3** and hand-tighten the screws **12** (Fig. D). Do not over-tighten, as that could damage the latches.

Fig. D



NOTE: Over time, the light head may also loosen. If this happens, hand tighten the two light head screws **13** (Fig. E) located on the back of the light head **1**.

Fig. E



Collapsing and Carrying the Tripod Light (Fig. A)

CAUTION: Keep hands and fingers clear when collapsing the light head back into the housing to avoid pinching of fingers and hands.

To collapse your tripod light into the carrying position, first collapse the extension poles 2 so the light head rests in the lowest position and is inside the housing. Lock the latches 3. Press the leg release button 6 and slide the carrying handle 8 up until the legs fold in completely.

CAUTION: Keep hands clear of the legs as they collapse to avoid pinching of fingers and hands.

Storing the Tripod Light

Store your tripod light either in its closed carrying position (refer to **Collapsing and Carrying the Tripod Light**) lying on its side on the handle/rest 5, or standing vertically with the legs extended and the light head fully collapsed into the base.

CAUTION: Do not store the light vertically when in the closed position as it could tip over causing injury or damage to the light.

OPERATION

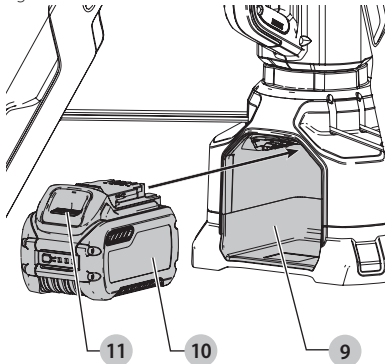
WARNING: To reduce the risk of serious personal injury, turn unit off and remove the battery pack before making any adjustments or removing/installing attachments or accessories. An accidental start-up can cause injury.

Installing and Removing the Battery Pack (Fig. F)

NOTE: For best results, make sure your battery pack is fully charged.

- To install the battery pack 10 into the tripod light, align the battery pack with the rails inside the tripod light's battery port 9 and slide it in until the battery pack is firmly seated. Ensure that it does not disengage.
- To remove the battery pack from the tripod light, press the release button 11 on the battery pack and firmly pull the battery pack out.

Fig. F



Usage (Fig. A, E)

WARNING: Burn hazard. The lens and heatsink get very hot during use. To reduce the risk of burns and fire, do not touch and keep away from combustible materials while in operation.

- Place the tripod light on a stable, level surface resting on its three extended legs.
- To turn the light on, press the power button 4. The light will turn on at the brightest setting. Pressing the power button a second time will change the light to middle brightness, and pressing it a third time will change the light to the lowest brightness. Pressing the power button a fourth time will turn the light off.
- Pivot the light head as needed using the light head's frame.
- When finished using the tripod light, press the power button until the light turns off.

WARNING: Burn hazard. The light head's heatsink 14 (Fig. E) becomes hot during use. Do not touch the heatsink when worklight is on or immediately after use, and keep away from combustible materials. Always pivot the head using only the head's frame.

Low Battery Indicator

As the battery nears a fully discharged state, the light will blink twice and then dim, dropping the brightness of the light below the normal level. The light will continue to blink twice every 45 seconds until the battery is fully discharged at which time the light will turn off. Indication time will vary based on battery pack capacity.

WARNING: Stop work and replace the battery when this occurs. To reduce the risk of injury, always have a back-up battery or secondary lighting available if the situation warrants it.

MAINTENANCE

WARNING: To reduce the risk of serious personal injury, turn unit off and remove the battery pack before making any adjustments or removing/installing attachments or accessories. An accidental start-up can cause injury.

The light source contained in this light shall only be replaced by the manufacturer or his service agent or a similar qualified person.

Cleaning

WARNING: Blow dirt and dust out of all air vents with clean, dry air at least once a week. To minimize the risk of eye injury, always wear ANSI Z87.1 approved eye protection when performing this.

WARNING: Never use solvents or other harsh chemicals for cleaning the non-metallic parts of the tool. These chemicals may weaken the plastic materials used in these parts. Use a cloth dampened only with water and mild soap. Never let any liquid get inside the tool; never immerse any part of the tool into a liquid.

Accessories



WARNING: Since accessories, other than those offered by DEWALT, have not been tested with this product, use of such accessories with this tool could be hazardous. To reduce the risk of injury, only DEWALT recommended accessories should be used with this product.

Recommended accessories for use with your tool are available at extra cost from your local dealer or authorized service center. If you need assistance in locating any accessory, please contact DEWALT Industrial Tool Co., 701 East Joppa Road, Towson, MD 21286, call 1-800-4-DEWALT (1-800-433-9258) or visit our website: www.dewalt.com.

Repairs

The charger and battery pack are not serviceable.



WARNING: To assure product SAFETY and RELIABILITY, repairs, maintenance and adjustment (including brush inspection and replacement, when applicable) should be performed by a DEWALT factory service center or a DEWALT authorized service center. Always use identical replacement parts.

Register Online

Thank you for your purchase. Register your product now for:

- **WARRANTY SERVICE:** Registering your product will help you obtain more efficient warranty service in case there is a problem with your product.
- **CONFIRMATION OF OWNERSHIP:** In case of an insurance loss, such as fire, flood or theft, your registration of ownership will serve as your proof of purchase.
- **FOR YOUR SAFETY:** Registering your product will allow us to contact you in the unlikely event a safety notification is required under the Federal Consumer Safety Act.

Register online at www.dewalt.com/register.

Three Year Limited Warranty

DEWALT will repair, without charge, any defects due to faulty materials or workmanship for three years from the date of purchase. This warranty does not cover part failure due to normal wear or tool abuse. For further detail of warranty coverage and warranty repair information, visit www.dewalt.com or call 1-800-4-DEWALT (1-800-433-9258). This warranty does not apply to accessories or damage caused where repairs have been made or attempted by others. THIS LIMITED WARRANTY IS GIVEN IN LIEU OF ALL OTHERS, INCLUDING THE IMPLIED WARRANTY OF MERCHANTABILITY AND FITNESS FOR A PARTICULAR PURPOSE, AND EXCLUDES ALL INCIDENTAL OR CONSEQUENTIAL DAMAGES. Some states do not allow limitations on how long an implied warranty lasts or the exclusion or limitation of incidental or consequential damages, so these limitations may not apply to you. This warranty gives you specific legal rights and you may have other rights which vary in certain states or provinces.

In addition to the warranty, DEWALT tools are covered by our:

1 YEAR FREE SERVICE

DEWALT will maintain the tool and replace worn parts caused by normal use, for free, any time during the first year after purchase.

2 YEARS FREE SERVICE ON DEWALT BATTERY PACKS

DC9071, DC9091, DC9096, DC9182, DC9280, DC9360, DCB120, DCB127, DCB201, DCB203, DCB203BT, DCB207, DCB361

3 YEARS FREE SERVICE ON DEWALT BATTERY PACKS

DCB200, DCB204, DCB204BT, DCB205, DCB205BT, DCB206, DCB606, DCB609

NOTE: Battery warranty voided if the battery pack is tampered with in any way. DEWALT is not responsible for any injury caused by tampering and may prosecute warranty fraud to the fullest extent permitted by law.

90 DAY MONEY BACK GUARANTEE

If you are not completely satisfied with the performance of your DeWALT Power Tool, Laser, or Nailer for any reason, you can return it within 90 days from the date of purchase with a receipt for a full refund – no questions asked.

LATIN AMERICA: This warranty does not apply to products sold in Latin America. For products sold in Latin America, see country specific warranty information contained in the packaging, call the local company or see website for warranty information.

FREE WARNING LABEL REPLACEMENT: If your warning labels become illegible or are missing, call 1-800-4-DEWALT (1-800-433-9258) for a free replacement.

Définitions : symboles et termes d'alarmes sécurité

Ces guides d'utilisation utilisent les symboles et termes d'alarmes sécurité suivants pour vous prévenir de situations dangereuses et de risques de dommages corporels ou matériels.

! **DANGER** : indique une situation dangereuse imminente qui, si elle n'est pas évitée, **entraînera la mort ou des blessures graves**.

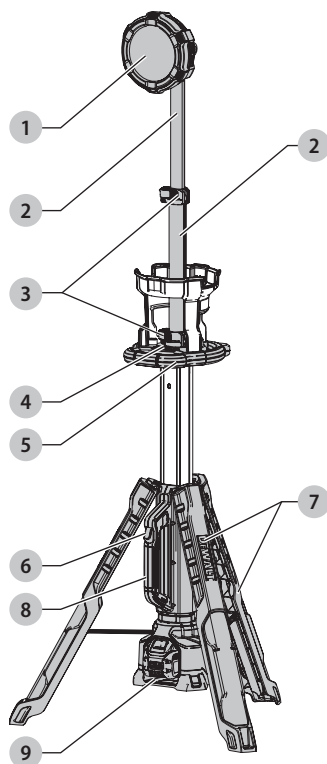
! **AVERTISSEMENT** : indique une situation potentiellement dangereuse qui, si elle n'est pas évitée, **pourrait entraîner la mort ou des blessures graves**.

! **ATTENTION** : indique une situation potentiellement dangereuse qui, si elle n'est pas évitée, **pourrait entraîner des blessures légères ou modérées**.

! (Si utilisé sans aucun terme) Indique un message propre à la sécurité.

AVIS : indique une pratique ne posant **aucun risque de dommages corporels** mais qui par contre, si rien n'est fait pour l'éviter, **pourrait poser des risques de dommages matériels**.

Fig. A



- 1 Tête d'éclairage à DEL
- 2 Tige rallonge
- 3 Verrous
- 4 Bouton Marche/Arrêt
- 5 Poignée/Appui
- 6 Bouton de libération des pattes
- 7 Pattes
- 8 Poignée de transport
- 9 Port de la pile

! **AVERTISSEMENT! lire tous les avertissements de sécurité et toutes les directives.** Le non-respect des avertissements et des directives pourrait se solder par un choc électrique, un incendie et/ou une blessure grave.

! **AVERTISSEMENT** : afin de réduire le risque de blessures, lire le mode d'emploi de l'outil.

Pour toute question ou remarque au sujet de cet outil ou de tout autre outil DEWALT, composez le numéro sans frais : 1-800-4-DEWALT (1-800-433-9258).

Consignes importantes de sécurité

AVERTISSEMENT!


Lorsque vous utilisez la lampe sur trépied, des précautions élémentaires doit être suivies, incluant les suivantes :


- Lisez toutes les instructions avant d'utiliser la lampe sur trépied.
- Afin de réduire le risque de blessures, la lampe doit être étroitement surveillée lorsque vous l'utilisez à proximité d'enfants.
- Éviter le contact avec les parties chaudes.
- Ne pas utiliser toute lampe sur trépied après qu'elle ait reçu un coup sec, si elle fonctionne mal ou si elle a été échappée ou est endommagée de quelque manière.** Retournez la lampe sur trépied à l'établissement de service autorisé pour une inspection, une réparation ou un ajustement mécanique ou électrique.
- Afin de réduire le risque de choc électrique, ne pas mettre lampe sur trépied dans l'eau ou autre liquide.** Ne pas placer ou entreposer la lampe sur trépied là où elle peut tomber ou être tirée dans un bain ou un évier.
- Utilisez seulement les accessoires recommandés ou vendus par le fabricant.
- Risque de choc électrique. Ne pas exposer à la pluie.** Entreposez à l'intérieur.
- Afin de réduire le risque de blessures, ne pas fixer la lampe pendant l'utilisation.** Cela peut produire une blessure grave aux yeux.

sont supervisées ou ont reçu une formation concernant l'utilisation de l'appareil par une personne responsable de leur sécurité.



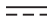











- Entreposez la lampe sur trépied à l'intérieur lorsqu'elle n'est pas utilisée. Gardez hors de la portée des enfants.
- NE PAS tenter de charger le bloc-piles avec tout chargeur autre que ceux indiqués dans le manuel. La lampe sur trépied et le bloc-piles sont spécifiquement conçus pour travailler ensemble.
- Placez la lampe sur trépied loin de toute source de chaleur.
- Ne pas désassembler la lampe sur trépied. Apportez-la dans un centre de services autorisé lorsqu'un entretien ou une réparation est nécessaire. Un mauvais réassemblage peut entraîner un risque de choc électrique, une électrocution ou un incendie.
- La DCL079 lampe sur trépied est conçue pour fonctionner sur des blocs-piles lithium-ion FLEXVOLT™ ou 20 V Max* DeWALT. Ne pas utiliser toute autre tension.
- Pendant que vous la transporter, assurez-vous que la tête d'éclairage est abaissée à la position la plus basse, que les tiges rallonges sont verrouillées et que les pattes du trépied sont abaissées et verrouillées dans leur position de transport.

 **AVERTISSEMENT :** afin de réduire le risque d'incendie, ne pas placer quelque chose sur le dessus des lentilles durant et après l'utilisation de la lampe.

 **AVERTISSEMENT :** ne pas placer la lampe sur trépied dans une position qui peut entraîner quelqu'un à fixer la tête d'éclairage de façon intentionnelle ou non intentionnelle. Cela peut causer une blessure grave aux yeux.


 **ATTENTION :** utilisez seulement la lampe sur trépied sur une surface stable. Ne pas remonter au-dessus de l'espace de travail/du personnel en la levant, la hissant ou en la suspendant.

L'étiquette sur votre lampe sur trépied peut comporter les symboles suivants. Les symboles et les définitions sont les suivants :

V	volts		or AC/DC... courant alternatif ou continu
Hz	hertz	 fabrication classe II (double isolation)
min	minutes	no	vitesse à vide
 or DC.....	courant continu	n	vitesse nominale
 fabrication classe I (mis à la terre)	 borne de terre
.../min.....	par minute	 symbole d'avertissement
BPM	battements par minute	 radiation visible
IPM	impacts par minute	 protection respiratoire
RPM	revolutions per minute	 protection oculaire
sfpm	pieds linéaires par minute (plpm)	 protection auditive
SPM (FPM)	fréquence par minute	 surfaces chaudes
A	ampères	 risque de pincement/ écrasement
W	watts	 bouton marche/ arrêt
 or AC.....	courant alternatif		

CONSERVEZ CES INSTRUCTIONS

Règles de sécurité spécifiques pour les lampes sur trépied


 **AVERTISSEMENT : Risque d'incendie.** Ne pas faire fonctionner la lampe sur trépied près de liquides ou gaz inflammables ou dans une atmosphère explosive. Des étincelles internes peuvent enflammer les vapeurs en causant des blessures corporelles.

- Ne pas immerger la lampe sur trépied dans l'eau.
- La lampe sur trépied est conçue pour un usage domestique et commercial.
- Avant d'utiliser la pile et la lampe sur trépied, lisez toutes les instructions et les symboles d'avertissement sur la lampe sur trépied et le bloc-piles.
- Cette appareil n'est pas conçu pour être utilisé par des personnes (incluant les enfants) ayant des capacités intellectuelles, sensorielles ou physiques réduites, ou manquant d'expérience et de connaissances, sauf si elles

Consignes importantes de sécurité pour la lampe sur trépied

⚠ AVERTISSEMENT : lisez tous les avertissements de sécurité et toutes les instructions du bloc-piles et de la lampe sur trépied. Ne pas suivre les avertissements et les instructions peut entraîner un choc électrique, un incendie et/ou des blessures graves.

- La lampe sur trépied est conçue pour un éclairage en espace de travail seulement. À utiliser selon les indications. Tout autre usage pourrait entraîner un danger d'incendie, un choc électrique ou une électrocution.
- Ne pas exposer la lampe sur trépied à la pluie ou la neige.
- Lorsque vous utilisez la lampe sur trépied à l'extérieur, faites-le toujours sur un endroit sec.

⚠ ATTENTION : lorsque vous ne l'utilisez pas, placez la lampe sur trépied sur son appui latéral sur la portion du support de la poignée/ de l'appui  sur une surface stable là où cela n'entraînera pas un risque de trébuchement ou de chute.

BLOCS-PILES ET CHARGEURS

Le bloc-piles n'est pas totalement chargé d'usine. Avant d'utiliser le bloc-piles et le chargeur, lire les consignes de sécurité ci-après puis suivre la procédure de chargement indiquée. Pour commander un bloc-piles de recharge, s'assurer d'en inclure le numéro de catalogue et la tension. Cet outil fonctionne avec un chargeur DEWALT. S'assurer de bien lire toutes les consignes de sécurité avant toute utilisation du chargeur. Consulter le tableau en fin de manuel pour connaître les compatibilités entre chargeurs et blocs-piles.

LIRE TOUTES LES CONSIGNES

Consignes importantes de sécurité les bloc-piles

⚠ AVERTISSEMENT : lisez tous les avertissements de sécurité et toutes les instructions du bloc-piles, du chargeur et de la lampe sur trépied. Tout manquement aux avertissements et instructions pose des risques de décharges électriques, d'incendie et/ou de blessures graves.

- Ne pas recharger ou utiliser un bloc-piles en milieu déflagrant, en présence, par exemple, de poussières, gaz ou liquides inflammables. Le fait d'insérer ou retirer un bloc-piles de son chargeur pourrait causer l'inflammation de poussières ou d'émanations.
- **NE JAMAIS forcer l'insertion d'un bloc-piles dans un chargeur. NE modifier un bloc-piles d'AUCUNE façon pour le faire rentrer dans un chargeur incompatible, car il pourrait se briser et causer des dommages corporels graves.** Consulter le tableau en dernière page de ce manuel pour connaître les compatibilités entre chargeurs et blocs-piles.

- Recharger les blocs-piles exclusivement dans des chargeurs DEWALT.
- **NE PAS** éclauber le bloc-piles ou l'immerger dans l'eau ou dans tout autre liquide.
- Ne pas entreposer ou utiliser l'appareil et le bloc-piles en présence de températures ambiantes pouvant excéder 40 °C (104 °F) (comme dans des hangars ou des bâtiments métalliques l'été). Pour préserver leur durée de vie, entreposer les blocs-piles dans un endroit frais et sec.
REMARQUE : ne pas mettre un bloc-piles dans un outil dont la gâchette est verrouillée en position de marche. Ne jamais bloquer l'interrupteur en position de MARCHE.
- Ne pas incinérer le bloc-piles même s'il est sévèrement endommagé ou complètement usagé, car il pourrait exploser et causer un incendie.
Pendant l'incinération des blocs-piles au lithium-ion, des vapeurs et matières toxiques sont dégagées.
- En cas de contact du liquide de la pile avec la peau, rincer immédiatement au savon doux et à l'eau. En cas de contact oculaire, rincer l'œil ouvert à l'eau claire une quinzaine de minutes ou jusqu'à ce que l'irritation cesse. Si des soins médicaux s'avéraient nécessaires, noter que l'électrolyte de la pile est composé d'un mélange de carbonates organiques liquides et de sels de lithium.
- Le contenu des cellules d'une pile ouverte peut causer une irritation respiratoire. En cas d'inhalation, exposer l'individu à l'air libre. Si les symptômes persistent, consulter un médecin.

⚠ AVERTISSEMENT : risques de brûlure. Le liquide de la pile peut s'enflammer s'il est exposé à des étincelles ou à une flamme.

⚠ AVERTISSEMENT : risques d'incendie. Ne jamais tenter d'ouvrir le bloc-piles pour quelque raison que ce soit. Si le boîtier du bloc-piles est fissuré ou endommagé, ne pas l'insérer dans un chargeur. Ne pas écraser, laisser tomber, ou endommager les blocs-piles. Ne pas utiliser un bloc-piles ou un chargeur qui a reçu un choc violent, ou si l'appareil est tombé, a été écrasé ou endommagé de quelque façon que ce soit (p. ex. percé par un clou, frappé d'un coup de marteau, piétiné). Les blocs-piles endommagés doivent être renvoyés à un centre de réparation pour y être recyclés.

Transport

⚠ AVERTISSEMENT : risques d'incendie. Au moment de ranger ou transporter le bloc-piles, veiller à protéger ses bornes à découvert de tout objet métallique. Par exemple, éviter de placer le bloc-piles dans un tablier, une poche, une boîte à outils ou un tiroir, etc. contenant des objets tels que clous, vis, clés, etc. Le fait de transporter des blocs-piles comporte des risques d'incendie, car les bornes des piles pourraient entrer, par inadvertance, en contact avec des objets conducteurs, tels que : clés, pièces de monnaie, outils ou autres. La réglementation sur les produits dangereux

(Hazardous Material Regulations) du département américain des transports interdit, en fait, le transport des blocs-piles dans les commerces ou dans les avions dans les bagages de cabine, À MOINS qu'ils ne soient correctement protégés de tout court-circuit. Aussi lors du transport individuel de blocs-piles, s'assurer que leurs bornes sont bien protégées et isolées de tout matériau pouvant entrer en contact avec elles et provoquer un court-circuit.

Expédition du bloc-piles DEWALT FLEXVOLT™

Le bloc-piles DEWALT FLEXVOLT™ possède deux modes : **Utilisation et Expédition.**

Mode Utilisation : lorsque le bloc-piles FLEXVOLT™ est par lui-même ou dans un produit DEWALT 20 v max*, il fonctionnera comme un bloc-piles de 20 v max*. Lorsque le bloc-piles FLEXVOLT™ est dans un produit de 60 v max* ou 120 v max* (deux blocs-piles de 60 v max*), il fonctionnera comme un bloc-piles de 60 v max*.

Mode Expédition : lorsque

le capuchon est inséré sur le bloc-piles FLEXVOLT™, le bloc-piles est en mode Expédition. Les modules de cellules sont électriquement déconnectés du bloc le faisant correspondre à trois blocs-piles d'un wattheure (Wh) inférieur comparé à un bloc-piles de wattheure élevé. Ce passage à trois blocs-piles à un wattheure inférieur peut permettre au bloc-piles d'être exempté de suivre certaines directives d'expédition imposées sur les blocs-piles de wattheure supérieur.

L'étiquette du bloc-piles donne deux estimations de wattheures (se reporter à l'exemple). Selon comment le bloc-piles est expédié, l'estimation appropriée de wattheure doit être utilisée pour déterminer les modalités d'expédition lui correspondant. Si le capuchon d'expédition est utilisé, le bloc-piles sera considéré comme 3 blocs-piles au wattheure indiqué pour « Expédition ». S'il est expédié sans le capuchon ou dans un outil, le bloc-piles sera considéré comme un seul bloc-piles au wattheure indiqué à côté de « Utilisation ».

Exemple d'étiquetage d'utilisation et d'expédition

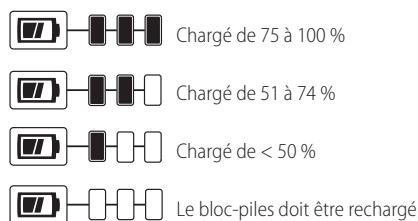
USE: 120 Wh Shipping: 3 x 40 Wh

Par exemple, le Wh de expédition pourra indiquer 3 x 40 Wh, ce qui correspond à 3 blocs-piles de 40 wattheures chacun. L'utilisation du Wh pourra indiquer 120 Wh (sous-entendu 1 bloc-piles).

Témoin de Charge du Bloc-Piles (Fig. B)

Certains blocs-piles DEWALT possèdent un témoin de charge qui consiste en trois voyants Del verts indiquant le niveau de charge du bloc-piles.

Le témoin de charge indique approximativement le niveau de charge restant dans le bloc-piles en fonction des voyants suivants :



Pour activer le témoin de charge, maintenez appuyé le bouton du témoin de charge. Une combinaison des trois voyants Del verts s'allumera indiquant le niveau de charge. Lorsque le niveau de charge du bloc-pile atteint la limite minimale d'utilisation, le témoin de charge reste éteint et le bloc-piles doit être rechargé.

Fig. B



REMARQUE : le témoin de charge ne fait qu'indiquer le niveau de charge du bloc-piles. Il ne donne aucune indication quant au fonctionnement de l'outil. Son propre fonctionnement pourra aussi varier en fonction des composants produit, de la température et de l'application d'utilisation.

Pour plus d'informations quant au témoin de charge du bloc-piles, veuillez appeler le 1-800-4-DEWALT (1-800-433-9258) ou vous rendre sur notre site www.dewalt.com.

Le sceau SRPRC®

Le sceau SRPRC® (Société de recyclage des piles rechargeables du Canada) apposé sur une pile au nickel-cadmium, à hydrure métallique de nickel ou au lithium-ion (ou un bloc-piles) indique que les coûts de recyclage de ces derniers en fin d'utilisation ont déjà été réglés par DEWALT. Dans certaines régions, la mise au rebut ou aux ordures municipales des piles au nickel-cadmium, à l'hydrure métallique de nickel ou au lithium-ion, est illégale ; le programme de l'Appel à Recycler® constitue donc une solution pratique et écologique.

Appel à Recycler Canada, Inc., en collaboration avec DEWALT et d'autres utilisateurs de piles, a mis sur pied de programme aux États-Unis et au Canada pour faciliter la collecte des piles au nickel-cadmium, à l'hydrure métallique de nickel ou au lithium-ion usagées. Aidez-nous à protéger l'environnement et à conserver nos ressources naturelles en renvoyant les piles au nickel-cadmium, à l'hydrure métallique de nickel ou au lithium-ion usagées à un centre de réparation autorisé DEWALT ou chez votre détaillant afin qu'elles y soient recyclées. On peut en outre se renseigner auprès d'un centre de recyclage local pour connaître d'autres sites les acceptant.

SRPRC® est une marque déposée de l'Appel à Recycler Canada, Inc.



Directives de sécurité importantes propres à tous les chargeurs de piles

⚠ **AVERTISSEMENT** : lisez tous les avertissements de sécurité et toutes les instructions du bloc-piles, du chargeur et de la lampe sur trépied. Tout manquement aux avertissements et instructions pose des risques de décharges électriques, d'incendie et/ou de blessures graves.

- **NE PAS tenter de charger de bloc-piles avec des chargeurs autres que ceux décrits dans ce manuel.**

Le chargeur et son bloc-piles ont été conçus tout spécialement pour fonctionner ensemble.

- **Ces chargeurs n'ont pas été conçus pour une utilisation autre que recharger les blocs-piles rechargeables DEWALT.** Toute autre utilisation comporte des risques d'incendie, de chocs électriques ou d'électrocution.
- **Protéger le chargeur de la pluie ou de la neige.**
- **Tirer sur la fiche plutôt que sur le cordon pour débrancher le chargeur.** Cela permet de réduire les risques d'endommager la fiche ou le cordon d'alimentation.
- **S'assurer que le cordon est protégé de manière à ce que personne ne marche ni ne trébuche dessus, ou à ce qu'il ne soit ni endommagé ni soumis à aucune tension.**
- **N'utiliser une rallonge qu'en cas de nécessité absolue.** L'utilisation d'une rallonge inadéquate comporte des risques d'incendie, de chocs électriques ou d'électrocution.
- **Pour utiliser un chargeur à l'extérieur, le placer dans un endroit sec et utiliser une rallonge conçue pour l'extérieur.** L'utilisation d'une rallonge conçue pour l'extérieur réduit les risques de chocs électriques.
- **Pour la sécurité de l'utilisateur, utiliser une rallonge de calibre adéquat (AWG, American Wire Gauge [calibrage américain normalisé des fils électriques]).** Plus le calibre est petit, et plus sa capacité est grande. Un calibre 16, par exemple, a une capacité supérieure à un calibre 18. L'usage d'une rallonge de calibre insuffisant causera une chute de tension qui entraînera perte de puissance et surchauffe. Si plus d'une rallonge est utilisée pour obtenir une certaine longueur, s'assurer que chaque rallonge présente au moins le calibre de fil minimum. Le tableau ci-dessous illustre les calibres à utiliser selon la longueur de rallonge et l'intensité nominale indiquée sur la plaque signalétique. En cas de doute, utiliser le calibre suivant. Plus le calibre est petit, plus la rallonge peut supporter de courant.

Calibre minimum pour les cordons d'alimentation

Volts	Longueur totale du cordon d'alimentation en mètre (pieds)				
	7,6 (25)	15,2 (50)	30,5 (100)	45,7 (150)	
120 V	15,2 (50)	30,5 (100)	61,0 (200)	91,4 (300)	
Ampères		AWG			
Plus que	Pas plus que				
0	6	18	16	16	14
6	10	18	16	14	12
10	12	16	16	14	12
12	16	14	12	Non recommandé	

- **Ne poser aucun objet sur le chargeur. Ne pas mettre le chargeur sur une surface molle qui pourrait en bloquer la ventilation et provoquer une surchauffe interne.** Éloigner le chargeur de toute source de chaleur. Le chargeur dispose d'orifices d'aération sur le dessus et le dessous du boîtier.
- **Ne pas le faire fonctionner avec un cordon d'alimentation ou une fiche endommagée.**
- **Ne pas utiliser le chargeur s'il a reçu un coup, fait une chute ou a été endommagé de quelque façon que ce soit.** Le ramener dans un centre de réparation agréé.
- **Ne pas démonter le chargeur. Pour tout service ou réparation, le rapporter dans un centre de réparation agréé.** Le fait de le réassembler de façon incorrecte comporte des risques de chocs électriques, d'électrocution et d'incendie.
- **Débrancher le chargeur du secteur avant tout entretien. Cela réduira tout risque de chocs électriques.** Le fait de retirer le bloc-piles ne réduira pas ces risques.
- **NE JAMAIS tenter de connecter 2 chargeurs ensemble.**
- **Le chargeur a été conçu pour être alimenté en courant électrique domestique standard de 120 volts. Ne pas tenter de l'utiliser avec toute autre tension.** Cela ne s'applique pas aux chargeurs de postes mobiles.

⚠ **AVERTISSEMENT** : risques de chocs électriques. Ne laisser aucun liquide pénétrer dans le chargeur, des chocs électriques pourraient en résulter.

⚠ **AVERTISSEMENT** : risques de brûlure. Ne submerger le bloc-piles dans aucun liquide et le protéger de toute infiltration de liquide. Ne jamais tenter d'ouvrir le bloc-piles pour quelque raison que ce soit. Si le boîtier plastique du bloc-piles est brisé ou fissuré, le retourner dans un centre de réparation pour y être recyclé.

⚠ **ATTENTION** : risques de brûlure. Pour réduire tout risque de dommages corporels, ne recharger que des blocs-piles rechargeables DEWALT. Tout autre type de piles pourrait exploser et causer des dommages corporels et matériels.

AVIS : sous certaines conditions, lorsque le chargeur est connecté au bloc d'alimentation, des matériaux étrangers pourraient court-circuiter le chargeur. Les corps étrangers conducteurs tels que (mais pas limité à) poussières de rectification, débris métalliques, laine

d'acier, feuilles d'aluminium, ou toute accumulation de particules métalliques doivent être maintenus à distance des orifices du chargeur. Débrancher systématiquement le chargeur lorsque le bloc-piles n'y est pas inséré. Débrancher systématiquement le chargeur avant tout entretien.

Homologation du matériel sans fil et informations sécurité

- Cet appareil est conforme à la norme CAN ICES-3(B)/NMB-3(B).
- Cet appareil est conforme au paragraphe 15 du règlement du FCC et à la (aux) norme(s) RSS exempté(s) de licence d'Industrie Canada. Son utilisation est sujette aux deux conditions suivantes :
 - Ce dispositif ne doit pas causer d'interférences nuisibles; et
 - Ce dispositif doit accepter toute interférence reçue, y compris toute interférence pouvant causer un fonctionnement indésirable.

Cet équipement a été testé et jugé conforme aux limites propres aux appareils numériques de Classe B, conformément au Paragraphe 15 du règlement du FCC. Ces limites sont destinées à offrir une protection raisonnable contre les interférences nuisibles d'une installation résidentielle. Cet équipement produit, utilise et peut émaner des ondes radiofréquences qui, s'il n'est pas installé et utilisé conformément aux directives, pourront causer des interférences nuisibles aux communications radio. Cependant, en fonction des installations réalisées, l'absence d'interférences n'est pas garantie. Si cet équipement cause des interférences nuisibles à la réception radio ou télévision (ce qui peut être déterminé par la mise sous/hors tension de cet équipement) l'utilisateur est encouragé à tenter de corriger ces interférences en prenant l'une ou plusieurs des mesures suivantes :

- Réorienter l'antenne de réception ou en changer l'emplacement.
 - Augmenter la distance entre l'équipement et le récepteur.
 - Brancher l'équipement à une prise située sur un circuit différent de celui sur lequel le récepteur est connecté.
 - Contacter un revendeur ou consulter un technicien radio/télé qualifié.
- Tout changement ou toute modification à l'appareil qui ne serait pas expressément approuvé par le fabricant pourra annuler les droits de l'utilisateur à employer cet équipement. Cet appareil numérique de Classe B est conforme aux normes canadiennes ICES-003.
 - Conformément aux réglementions d'Industrie Canada, cet émetteur radio ne peut fonctionner qu'avec une antenne dont le type et le gain maximal (ou d'une valeur moindre) sont homologués par Industrie Canada pour cet émetteur. Pour réduire toute interférence radio potentielle pouvant affecter les autres utilisateurs, le type d'antenne et ses gains devraient être choisis de façon à ce que la puissance isotrope rayonnée équivalente ne soit pas supérieure aux limites permettant la communication.
 - Pour être conforme aux limites d'irradiations RF pour la population en général du FCC et d'Industrie Canada, l'antenne utilisée avec cet appareil ne doit pas être placée

ou utilisée conjointement avec tout autre émetteur ou toute autre antenne.

Pour les produits Bluetooth^{MD}

- Avant de voyager en avion, s'assurer de suivre les restrictions des compagnies aériennes quant à l'utilisation d'appareils électroniques et Bluetooth^{MD} personnels.
- La fonctionnalité d'alarme hors plage a été conçue pour servir à aider à alerter en cas de perte ou vol de produits. Ce n'est pas un système de sécurité.
- La plage de connectivité peut aller jusqu'à 30.5 meters (100 pieds) en fonction de l'environnement et des lieux.
- Les signaux de radiofréquences ondes courtes d'un appareil Bluetooth^{MD} pourront affecter les opérations d'autres appareils électroniques ou médicaux (comme les stimulateurs cardiaques ou les appareils acoustiques).

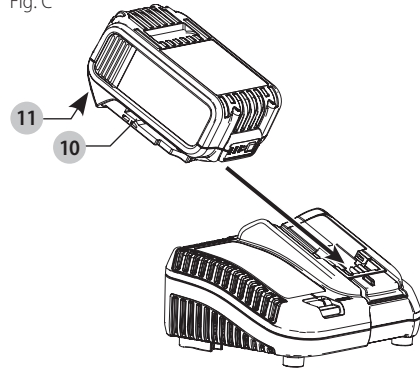
REMARQUE : le terme et les logos Bluetooth^{MD} sont des marques déposées appartenant à Bluetooth^{MD}, SIG, Inc. et toute utilisation de ces marques par DEWALT est autorisée par licence. Toute autre marque de commerce et appellation commerciale reste la propriété de leurs propriétaires respectifs.

Ce produit est conforme à ces standards lorsqu'il est utilisé avec un cordon de 1 m 80 (6 pi) ou moins.

Chargement du bloc-piles (Fig. C)

1. Branchez le chargeur dans la prise appropriée avant d'y insérer le bloc-piles.

Fig. C



2. Insérer le bloc-piles **10** dans le chargeur, en vous assurant qu'il y est correctement calé. Le voyant rouge (charge) clignotera de façon continue indiquant que le cycle de chargement a commencé.
3. En fin de charge, le voyant rouge restera ALLUMÉ de façon continue. Le bloc-piles est alors complètement rechargé et peut être utilisé ou laissé dans le chargeur. Pour retirer le bloc-piles du chargeur, appuyez sur le bouton de libération du bloc-piles **11** sur le bloc-piles.

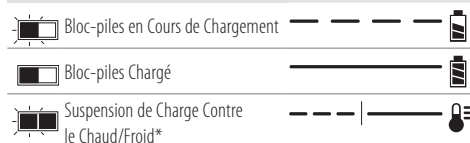
REMARQUE : pour assurer des performances optimales et une durée de vie maximale des blocs-piles au lithium-ion, recharger pleinement le bloc-piles avant toute utilisation initiale.

Utilisation du chargeur

Reportez-vous aux indications du tableau ci-dessous pour consulter le statut de charge du bloc-piles.

FRANÇAIS

DCB107, DCB112, DCB113, DCB115, DCB118, DCB132



*DCB107, DCB112, DCB113, DCB115, DCB118, DCB132:

le voyant rouge ne cessera de clignoter, mais un voyant jaune restera allumé pendant cette opération. Lorsque le bloc-piles aura repris une température appropriée, le voyant jaune s'éteindra et le chargeur reprendra sa procédure de charge.

Le chargeur ne pourront recharger des blocs-piles défectueux. Le chargeur indiquera qu'un bloc-piles est défectueux en refusant de s'allumer ou en affichant bloc-piles ou chargeur défectueux.

REMARQUE : cela pourra aussi indiquer un problème avec le chargeur.

Si le problème provient du chargeur, faites vérifier le chargeur et le bloc-piles chez un centre de réparation agréé.

Fonction de suspension de charge contre le chaud/froid

Lorsque le chargeur détecte un bloc-piles trop chaud ou trop froid, il démarre automatiquement la fonction de suspension de charge contre le chaud, suspendant le chargement jusqu'à ce que le bloc-piles ait repris une température appropriée. Le chargeur ensuite se remettra automatiquement en mode de chargement. Cette caractéristique assure aux blocs-piles une durée de vie maximale.

Un bloc-piles froid se rechargera moins vite qu'un bloc-piles chaud. Le bloc-piles se rechargera à ce rythme plus lent tout au cours du cycle de charge et ne retournera pas à sa vitesse maximale de charge même s'il venait à se réchauffer.

Le chargeur DCB118 est équipé d'un ventilateur interne destiné à refroidir le bloc-piles. Le ventilateur se mettra automatiquement en marche chaque fois que le bloc-piles aura besoin de se refroidir.

N'utilisez jamais le chargeur si le ventilateur ne fonctionne pas correctement ou si ses fentes d'aération sont bloquées. Protégez systématiquement l'intérieur du chargeur de tout objet étranger.

Système de protection électronique

Les appareils au Li-Ion sont équipés d'un système électronique de protection pour protéger les blocs-piles de toute surcharge, surchauffe ou fuite importante.

L'appareil s'arrêtera automatiquement dès que le système électronique de protection sera activé. Si c'était le cas, placez le bloc-piles au lithium-ion sur son chargeur jusqu'à ce qu'il soit complètement rechargé.

Installation murale

DCB107, DCB112, DCB113, DCB115, DCB118, DCB132

Ces chargeurs ont été conçus pour une installation murale ou pour être posés sur une table ou une surface de travail. Pour une fixation murale, installez le chargeur à proximité

d'une prise électrique, et à l'écart de coins ou de toute autre obstruction au passage de l'air. Utilisez l'arrière du chargeur pour marquer l'emplacement des vis de montage sur le mur. Fixez soigneusement le chargeur à l'aide de vis autoforeuses (vendues séparément) d'au moins 25,4 mm (1 po) de long, et de diamètre de tête de 7-9 mm (0,28-0,35 po), que vous visserez dans le bois en laissant une longueur optimale d'environ 5,5 mm (7/32 po) exposée. Alignez les orifices à l'arrière du chargeur sur les vis exposées et insérez à fond ces dernières dans les orifices.

Instructions d'entretien du chargeur

⚠ AVERTISSEMENT : risques de chocs électriques. Débrancher le chargeur de la prise de courant alternatif avant tout entretien. Éliminer toute saleté ou graisse de la surface externe du chargeur à l'aide d'un chiffon ou d'une brosse non métallique douce. N'utiliser ni eau ni aucun nettoyeur liquide.

Remarques importantes concernant le chargement

1. Pour augmenter la durée de vie du bloc-piles et optimiser son rendement, le recharger à une température ambiante de 18 ° à 24 °C (65 °F à 75 °F). NE PAS recharger le bloc-piles à une température inférieure à + 4,5 °C (+ 40 °F) ou supérieure à + 40 °C (+ 104 °F). C'est important pour prévenir tout dommage sérieux au bloc-piles.
2. Le chargeur et son bloc-piles peuvent devenir chauds au toucher pendant la charge. C'est normal et ne représente en aucun cas une défaillance du produit. Pour faciliter le refroidissement du bloc-piles après utilisation, éviter de laisser le chargeur ou le bloc-piles dans un local où la température ambiante est élevée comme dans un hangar métallique ou une remorque non isolée.
3. Si le bloc-piles ne se recharge pas correctement :
 - a. Vérifier le bon fonctionnement de la prise en y branchant une lampe ou tout autre appareil électrique.
 - b. Vérifier que la prise n'est pas contrôlée par un interrupteur qui coupe le courant lorsqu'on éteint les lumières.
 - c. Déplacer le chargeur et le bloc-piles dans un local où la température ambiante se trouve entre environ 18 ° et 24 °C (65 °F et 75 °F).
 - d. Si le problème persiste, amener l'outil, le bloc-piles et son chargeur dans un centre de réparation local.
4. Recharger le bloc-piles lorsqu'il ne produit plus assez de puissance pour effectuer un travail qu'il faisait facilement auparavant. NE PAS CONTINUER à l'utiliser dans ces conditions. Suivre la procédure de charge. Si nécessaire, il est aussi possible de recharger un bloc-piles partiellement déchargé sans effet nuisible sur le bloc-piles.
5. Les corps étrangers conducteurs tels que (mais pas limité à) poussières de rectification, débris métalliques, laine d'acier, feuilles d'aluminium, ou toute accumulation de particules métalliques doivent être maintenus à distance des orifices du

chargeur. Débrancher systématiquement le chargeur lorsque le bloc-piles n'y est pas inséré. Débrancher systématiquement le chargeur avant tout entretien.

6. Ne pas congeler ou immerger le chargeur dans l'eau ou tout autre liquide.

Recommandations de stockage

1. Le lieu idéal de rangement est un lieu frais et sec, à l'abri de toute lumière solaire directe et de toute température excessive.
2. Pour un stockage prolongé, il est recommandé d'entreposer le bloc-piles pleinement chargé dans un lieu frais et sec, hors du chargeur pour optimiser les résultats.

REMARQUE : les blocs-piles ne devraient pas être entreposés complètement déchargés. Il sera nécessaire de recharger le bloc-piles avant réutilisation.

CONSERVER CES CONSIGNES POUR UTILISATION ULTÉRIEURE

DESCRIPTION (FIG. A)



AVERTISSEMENT : ne jamais modifier la lampe sur trépied ou toute pièce de celui-ci, car il y a risques de dommages corporels ou matériels.

Reportez-vous en Figure A au début de ce manuel pour obtenir la liste complète des composants.

Usage Prévu

Cette lampe sur trépied est conçue pour un éclairage en espace de travail domestique et commercial.

NE PAS les utiliser en milieu ambiant humide ou en présence de liquides ou de gaz inflammables.

NE PAS le laisser à la portée de enfants. Une supervision est nécessaire auprès de tout utilisateur non expérimenté.

ASSEMBLAGE ET AJUSTEMENTS



AVERTISSEMENT : pour réduire le risque de blessures graves, éteindre l'outil et retirer le bloc-piles avant d'effectuer tout réglage et d'enlever ou d'installer tout accessoire. Un démarrage accidentel peut provoquer des blessures.



AVERTISSEMENT : risque de brûlures. Les lentilles et le dissipateur thermique deviennent très chauds durant l'utilisation. Afin de réduire le risque de brûlures ou d'incendie, ne pas toucher et éloigner les matières combustibles durant l'utilisation.

Réglage de la lampe sur trépied (Fig. A)

Pour régler votre lampe sur trépied dans sa position de transport abaissée, tenez la poignée/l'appui 5 avec une main puis utilisez l'autre main pour tenir la poignée de transport 8. En appuyant sur le bouton de libération des pattes 6, glissez la poignée de transport 8 vers le bas jusqu'à ce que les pattes s'allongent et se verrouillent en place.

Assurez-vous que les pattes sont complètement allongées et verrouillées en place avant d'allonger la tige de la tête d'éclairage.

Allonger la tête d'éclairage à DEL

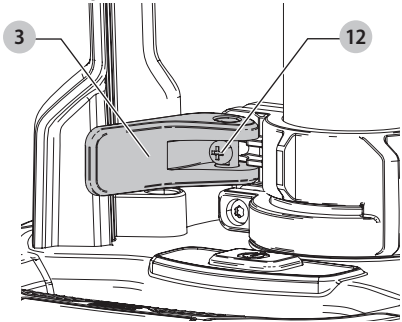
(Fig. A, D, E)

La hauteur de votre lampe sur trépied peut être ajustée en allongeant et en abaissant les tiges rallonges 2.

1. Allongez les pattes 7 puis sécurisez/verrouillez-les en place (consultez **Réglage de la lampe sur trépied**).
2. Desserrez le verrou 3 supérieur et montez la tête hors du boîtier. Allongez la tige à la hauteur désirée.
3. Fermez complètement le verrou de rallonge supérieur et assurez-vous que la tige rallonge est verrouillée en place.
4. Pour plus de hauteur, desserrez le verrou inférieur et allongez davantage la tête à la hauteur requise.
5. Serrez complètement le verrou inférieur et assurez-vous que la tige rallonge est verrouillée en place.
6. Faites pivoter la tête dans l'angle désiré.

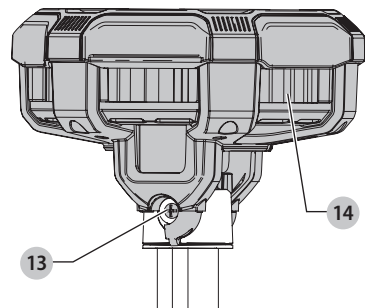
REMARQUE : Avec le temps, les verrous peuvent se desserrer. Si cela arrive, ouvrez les verrous 3 et serrez à la main les vis 12 (Fig. D). Ne pas trop serrer puisque cela pourrait endommager les verrous.

Fig. D



REMARQUE : Avec le temps, la tête peut également se desserrer. Si cela se produit, serrez à la main les deux vis de la tête d'éclairage 13 (Fig. E) située à l'arrière de la tête d'éclairage 1.

Fig. E



Abaisser et transporter la lampe sur trépied (Fig. A)



ATTENTION : éloignez vos mains et vos doigts lorsque vous abaissez l'arrière de la tête d'éclairage dans le boîtier afin d'éviter de vous pincer les doigts et les mains.

FRANÇAIS

Pour abaisser la lampe sur trépied en position de transport, abaissez d'abord les tiges rallonges **2** afin que la tête d'éclairage demeure dans la position la plus basse et soit à l'intérieur du boîtier. Verrouillez les verrous **3**. Appuyez sur le bouton de libération des pattes **6** et glissez la poignée de transport **8** jusqu'à ce que les pattes soient complètement pliées.

ATTENTION : éloignez vos mains des pattes lorsqu'elles s'abaissent afin d'éviter de pincer vos doigts et vos mains.

Entreposer la lampe sur trépied

Entreposez votre lampe sur trépied dans sa position de transport fermée (consultez **Abaisser et transporter la lampe sur trépied**) couchée le côté de sa pognée/son appui **5** ou se tenant verticalement avec les pattes allongées et la tête d'éclairage entièrement abaissée de la base.

ATTENTION : ne pas entreposer la lampe verticalement lorsqu'elle est en position fermée puisqu'elle pourrait basculer causant des blessures ou endommageant la lampe.

UTILISATION

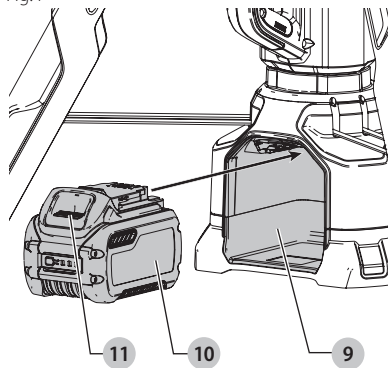
AVERTISSEMENT : pour réduire le risque de blessures graves, éteindre l'outil et retirer le bloc-piles avant d'effectuer tout réglage et d'enlever ou d'installer tout accessoire. Un démarrage accidentel peut provoquer des blessures.

Installation et retrait du bloc-piles (Fig. F)

REMARQUE : pour des résultats optimums, s'assurer que le bloc-piles est complètement chargé.

- Pour installer le bloc-piles **10** dans la lampe sur trépied, alignez le bloc-piles avec les glissières à l'intérieur du port de la pile **9** de la lampe sur trépied et glissez-le jusqu'à ce qu'il soit solidement installé. S'assurer que l'accessoire ne puisse le libérer.
- Pour retirer le bloc-piles de la lampe sur trépied, appuyez sur le bouton de libération **11** sur le bloc-piles et tirez fermement sur le bloc-piles pour le sortir.

Fig. F



Utilisation (Fig. A, E)

AVERTISSEMENT : risque de brûlures. Les lentilles et le dissipateur thermique deviennent très chauds durant l'utilisation. Afin de réduire le risque de brûlures ou d'incendie, ne pas toucher et éloigner les matières combustibles durant l'utilisation.

1. Placez la lampe sur trépied sur une surface plane stable reposant sur ses trois pattes allongées.
2. Pour allumer la lampe sur trépied, appuyez sur le bouton d'alimentation **4**. La lampe s'allumera à son réglage le plus brillant. Appuyer sur le bouton d'alimentation une deuxième fois changera la lampe à la brillance moyenne et appuyer une troisième fois changera la lampe à la brillance la plus faible. Appuyer sur le bouton d'alimentation une quatrième fois éteindra la lampe.
3. Faites pivoter la tête d'éclairage au besoin à l'aide du cadre de la tête d'éclairage.
4. Lorsque vous avez terminé l'utilisation de la lampe sur trépied, appuyez sur le bouton d'alimentation jusqu'à ce que la lampe s'éteigne.

AVERTISSEMENT : risque de brûlures. Le dissipateur thermique de la tête d'éclairage **14** (Fig. E) devient chaud durant l'utilisation. Ne pas toucher le dissipateur thermique lorsque la lampe de travail est allumée ou immédiatement après l'utilisation et éloigner les matières combustibles. Toujours faire pivoter la tête seulement à l'aide du cadre de la tête.

Voyant de pile faible

Lorsque la pile est presque complètement déchargée, la lampe clignotera deux fois puis s'affaiblira, faisant baisser la brillance de la lampe sous le niveau normal. La lampe continuera à clignoter deux fois toutes les 45 secondes jusqu'à ce que la pile soit complètement déchargée, après quoi la lampe s'éteindra. Le délai durant lequel voyant reste allumé varie selon la capacité du bloc-piles.

AVERTISSEMENT : cessez de travailler et remplacez la pile lorsque cela se produit. Pour réduire le risque de blessure, ayez toujours une pile de réserve ou un second éclairage disponible si la situation l'exige.

MAINTENANCE

AVERTISSEMENT : pour réduire le risque de blessures graves, éteindre l'outil et retirer le bloc-piles avant d'effectuer tout réglage et d'enlever ou d'installer tout accessoire. Un démarrage accidentel peut provoquer des blessures.

La source de lumière contenue dans cette lampe doit seulement être remplacée par le fabricant ou son agent de services ou une personne qualifiée semblable.

Nettoyage

AVERTISSEMENT : enlever les saletés et la poussière hors des événements au moyen d'air comprimé propre et sec, au moins une fois par semaine. Pour minimiser le risque de blessure aux yeux, toujours porter une protection oculaire conforme à la norme ANSI Z87.1 lors du nettoyage.



AVERTISSEMENT : ne jamais utiliser de solvants ni d'autres produits chimiques puissants pour nettoyer les pièces non métalliques de l'outil. Ces produits chimiques peuvent affaiblir les matériaux de plastique utilisés dans ces pièces. Utiliser un chiffon humecté uniquement d'eau et de savon doux. Ne jamais laisser de liquide pénétrer dans l'outil et n'immerger aucune partie de l'outil dans un liquide.

Accessoires



AVERTISSEMENT : puisque les accessoires autres que ceux offerts par DEWALT n'ont pas été testés avec ce produit, leur utilisation pourrait s'avérer dangereuse. Pour réduire le risque de blessures, utiliser exclusivement les accessoires DEWALT recommandés avec le présent produit.

Les accessoires recommandés pour cet outil sont vendus séparément au centre de service de votre région. Pour obtenir de l'aide concernant l'achat d'un accessoire, communiquer avec DEWALT Industrial Tool Co., 701 East Joppa Road, Towson, MD 21286 aux États-Unis; composer le 1 800 433-9258 (1 800 4-DEWALT) ou visiter notre site Web : www.dewalt.com.

Réparations

Le chargeur et le bloc-piles ne sont pas réparables.



AVERTISSEMENT : pour assurer la SÉCURITÉ et la FIABILITÉ du produit, les réparations, l'entretien et les réglages doivent être réalisés (cela comprend l'inspection et le remplacement du balai, le cas échéant) par un centre de réparation en usine DEWALT ou un centre de réparation agréé DEWALT. Toujours utiliser des pièces de rechange identiques.

Registre en ligne

Merci pour votre achat. Enregistrez dès maintenant votre produit :

- **RÉPARATIONS SOUS GARANTIE :** cette carte remplie vous permettra de vous prévaloir du service de réparations sous garantie de façon plus efficace dans le cas d'un problème avec le produit.
- **CONFIRMATION DE PROPRIÉTÉ :** en cas de perte provoquée par un incendie, une inondation ou un vol, cette preuve de propriété vous servira de preuve auprès de votre compagnie d'assurances.
- **SÉCURITÉ :** l'enregistrement de votre produit nous permettra de communiquer avec vous dans l'éventualité peu probable de l'envoi d'un avis de sécurité régi par la loi fédérale américaine de la protection des consommateurs.

Registre en ligne à www.dewalt.com/register.

Garantie limitée de trois ans

DEWALT réparera, sans frais, tout produit défectueux causé par un défaut de matériel ou de fabrication pour une période de trois ans à compter de la date d'achat. La présente garantie ne couvre pas les pièces dont la défectuosité a été causée par une usure normale ou l'usage abusif de l'outil. Pour obtenir de plus amples

renseignements sur les pièces ou les réparations couvertes par la présente garantie, visiter le site www.dewalt.com ou composer le 1 800 433-9258 (1 800 4-DEWALT). CETTE GARANTIE LIMITÉE REMPLACE TOUTE AUTRE GARANTIE, Y COMPRIS TOUTE GARANTIE IMPLICITE DE QUALITÉ MARCHANDE OU DE CONFORMITÉ À DES FINIS PARTICULIÈRES, ET EXCLUT TOUT DOMMAGE ACCESSOIRE OU INDIRECT. Certains états n'autorisent aucune limitation quant à la durée d'une garantie implicite ni aucune exclusion ou limitation de garantie contre tout préjudice accessoire ou indirect, aussi il se peut que ces exclusions ne vous soient pas applicables. Cette garantie confère des droits légaux particuliers à l'acheteur, mais celui-ci pourrait aussi bénéficier d'autres droits variant d'un territoire à l'autre.

En plus de la présente garantie, les outils DEWALT sont couverts par notre :

CONTRAT D'ENTRETIEN GRATUIT D'UN AN

DEWALT entretiendra l'outil et remplacera les pièces usées au cours d'une utilisation normale et ce, gratuitement, pendant une période d'un an à compter de la date d'achat.

CONTRAT D'ENTRETIEN GRATUIT DE DEUX ANS SUR LES BLOC-PILES DEWALT

DC9071, DC9091, DC9096, DC9182, DC9280, DC9360, DCB120, DCB127, DCB201, DCB203, DCB203BT, DCB207, DCB361

CONTRAT D'ENTRETIEN GRATUIT DE TROIS ANS SUR LES BLOC-PILES DEWALT

DCB200, DCB204, DCB204BT, DCB205, DCB205BT, DCB206, DCB606, DCB609

REMARQUE : La garantie de ce produit sera annulée si le bloc-piles a été altéré de quelque façon que ce soit. DEWALT ne peut être tenu responsable de tout dommage corporel causé par l'altération du produit et pourra poursuivre toute fraude en matière de garantie dans toute l'étendue permise par la loi.

GARANTIE DE REMBOURSEMENT DE 90 JOURS

Si l'acheteur n'est pas entièrement satisfait, pour quelque raison que ce soit, du rendement de l'outil électrique, du laser ou de la cloueuse DEWALT, celui-ci peut le retourner, accompagné d'un reçu, dans les 90 jours à compter de la date d'achat pour obtenir un remboursement intégral, sans aucun problème.

AMÉRIQUE LATINE : cette garantie ne s'applique aux produits vendus en Amérique latine. Pour ceux-ci, veuillez consulter les informations relatives à la garantie spécifique présente dans l'emballage, appeler l'entreprise locale ou consulter le site Web pour les informations relatives à cette garantie.

REMPLACEMENT GRATUIT DES ÉTIQUETTES

D'AVERTISSEMENT : si les étiquettes d'avertissement deviennent illisibles ou sont manquantes, composer le 1 800 433-9258 (1 800 4-DEWALT) pour en obtenir le remplacement gratuit.

Definiciones: Símbolos y palabras de alerta de seguridad

Este manual de instrucciones utiliza los siguientes símbolos y palabras de alerta de seguridad para alertarle de situaciones peligrosas y del riesgo de lesiones corporales o daños materiales.



PELIGRO: Indica una situación de peligro inminente que, si no se evita, provocará **la muerte o lesiones graves**.



ADVERTENCIA: Indica una situación de peligro potencial que, si no se evita, **podría** provocar **la muerte o lesiones graves**.



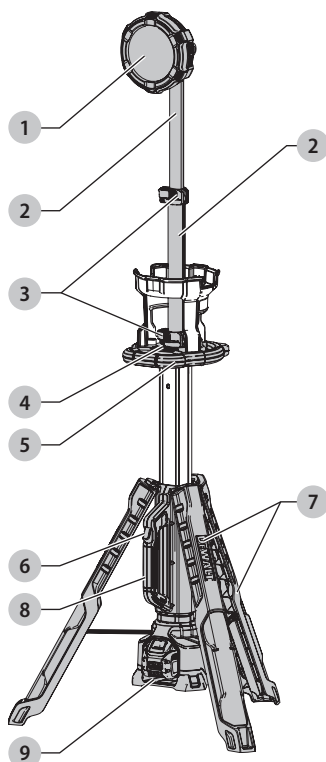
ATENCIÓN: Indica una situación de peligro potencial que, si no se evita, **posiblemente** provocaría **lesiones leves o moderadas**.



(Utilizado sin palabras) indica un mensaje de seguridad relacionado.

AVISO: Se refiere a una práctica **no relacionada a lesiones corporales** que de no evitarse **puede** resultar en **daños a la propiedad**.

Fig. A



- 1 Reflector LED
- 2 Poste de extensión
- 3 Seguros
- 4 Botón de encendido/apagado
- 5 Manija/Reposo
- 6 Botón de liberación de pata
- 7 Patas
- 8 Manija de transporte
- 9 Puerto de batería



¡ADVERTENCIA! Lea todas las advertencias de seguridad e instrucciones. El incumplimiento de las advertencias e instrucciones puede provocar descargas eléctricas, incendios o lesiones graves.



ADVERTENCIA: Para reducir el riesgo de lesiones, lea el manual de instrucciones.

Si tiene alguna duda o algún comentario sobre ésta u otra herramienta DeWALT, llámenos al número gratuito: 1-800-4-DeWALT (1-800-433-9258).

Instrucciones de seguridad importantes

⚠ ¡ADVERTENCIA! Cuando use la luz de tripié, siempre se deben seguir las precauciones básicas, incluyendo las siguientes:

- a) Lea todas las instrucciones antes de usar la luz de tripié.
- b) Para reducir el riesgo de lesiones, se necesita supervisión cercana cuando se use la luz de tripié cerca de niños.
- c) Evite el contacto con partes calientes.
- d) **No opere ninguna luz de tripié después que haya recibido un golpe fuerte, falle o se deje caer o se dañe en cualquier manera.** Regrese la luz de tripié a la instalación de servicio autorizada más cercana para revisión, reparación, o ajuste eléctrico o mecánico.
- e) **Para reducir el riesgo de descarga eléctrica, no coloque la luz de tripié en agua u otro líquido.** No coloque o guarde la luz de tripié donde pueda caer o tirarse dentro de una bañera o tarja.
- f) Sólo use accesorios recomendados o vendidos por el fabricante.
- g) **Riesgo de descarga eléctrica. No lo exponga a la lluvia.** Almacene en interiores.
- h) **Para reducir el riesgo de lesiones, no mire la luz de operación fijamente.** Podrían ocurrir lesiones oculares serias.

CONSERVE ESTAS INSTRUCCIONES

Reglas de seguridad específicas para luces de tripié

- ⚠ ADVERTENCIA: Riesgo de Incendio.** No opere la luz de tripié cerca de líquidos inflamables o en atmósferas gaseosas o explosivas. Las chispas internas pueden encender vapores causando lesiones personales.
- No sumerja la luz de tripié en ningún líquido.
- La luz de tripié está diseñada para uso comercial y doméstico.
- Antes de usar la batería y luz de tripié, lea todas las instrucciones y marcas de precaución en la luz de tripié y el paquete de batería.
- Este aparato no está diseñado para uso por personas (incluyendo niños) con capacidades físicas reducidas, sensoriales o mentales, o falta de experiencia y conocimiento, a menos que se les haya dado supervisión o instrucciones respecto al uso del aparato por una persona responsable por su seguridad.

- Guarde la luz de tripié en interiores cuando no esté en uso. Mantenga lejos del alcance de los niños.
- **NO intente cargar el paquete de batería con cargadores diferentes a los de este manual.** La luz de tripié y el paquete de batería están diseñados específicamente para funcionar juntos.
- Coloque la luz de tripié lejos de cualquier fuente de calor.
- No desensamble la luz de tripié. Llévela a un centro de servicio autorizado cuando se requiera servicio o reparación. El reensamble incorrecto puede resultar en un riesgo de descarga eléctrica, electrocución o incendio.
- La luz de tripié DCL079 está diseñada para operar en paquetes de batería de ion de litio DEWALT 20 V Max* o FLEXVOLT™ completamente cargados. No use ningún otro voltaje.
- Durante el transporte, asegúrese que el reflector esté colapsado en su posición más baja, los postes de extensión estén bloqueados, y las patas del tripié estén colapsadas y aseguradas en su posición de transporte.

- ⚠ ADVERTENCIA:** Para reducir el riesgo de incendio, no coloca nada sobre los lentes durante o después de la operación de la luz.
- ⚠ ADVERTENCIA:** No coloque la luz de tripié en una posición en la que pueda causar que alguien vea intencionalmente o accidentalmente fijamente al reflector. Podría resultar en lesiones oculares serias.
- ⚠ ATENCIÓN:** Sólo use la luz de tripié sobre una superficie estable. No la levante sobre el espacio de trabajo/personal por medio de levantamiento, elevación, montaje, o suspensión.

La etiqueta en su luz de tripié puede incluir los siguientes símbolos. Los símbolos y sus definiciones son los siguientes:

V	voltios	n ₀	velocidad sin carga
Hz	hertz	n	velocidad nominal
min	minutos	⊕	terminal de conexión a tierra
— or DC	direct current	⚠	símbolo de advertencia de seguridad
Ⓜ	Construcción de Clase I (tierra)	☀	radiación visible
.../min	por minuto	☁	protección respiratoria
BPM	golpes por minuto	👁	protección ocular
IPM	impactos por minuto	👂	protección auditiva
RPM	revoluciones por minuto	📄	lea toda la documentación
sfpm	pies de superficie por minuto	⚠	riesgo de atrapamiento/aplastamiento
SPM	pasadas por minuto	🔥	superficie caliente
A	amperios	👉	botón de encendido/apagado
W	watios		
~ or AC	corriente alterna		
⎓ or AC/DC	corriente alterna o directa		
Ⓜ	Construcción de Clase II (doble aislamiento)		

Instrucciones de seguridad importantes para la luz de tripié

⚠️ ADVERTENCIA: Lea todas las advertencias de seguridad y todas las instrucciones para el paquete de batería y la luz de tripié. La falla en seguir las advertencias e instrucciones puede resultar en descarga eléctrica, incendio y/o lesiones serias.

- La luz de tripié está diseñada para iluminación del espacio de trabajo únicamente. Úsela como se indica. Cualquier otro uso puede resultar en riesgo de incendio, descarga eléctrica o electrocución.
- No exponga la luz de tripié a lluvia o nieve.
- Cuando opere la luz de tripié en exteriores, siempre proporciona una ubicación seca.

⚠️ ATENCIÓN: Cuando no esté en uso, coloque la luz de tripié en su lado reposando sobre la porción del soporte de la manija/reposo **5** sobre una superficie estable donde cause un peligro de tropiezo o caída.

BATERÍAS Y CARGADORES

La batería no viene completamente cargada de fábrica. Antes de utilizar la batería y el cargador, lea las siguientes instrucciones de seguridad y luego siga los procedimientos de carga indicados. Cuando pida baterías de repuesto, no olvide indicar el número de catálogo y el voltaje.

Su herramienta utiliza un cargador DEWALT. Lea todas las instrucciones de seguridad antes de usar el cargador. Consulte la tabla al final de este manual para información sobre compatibilidad entre cargadores y baterías.

LEA TODAS LAS INSTRUCCIONES

Instrucciones de Seguridad Importantes Para Todas las Unidades de Batería

⚠️ ADVERTENCIA: Lea todas las advertencias de seguridad y todas las instrucciones para el paquete de la batería cargador y luz de tripié. No seguir las advertencias y las instrucciones puede provocar una descarga eléctrica, un incendio y/o lesiones graves.

- No cargue o use la unidad de batería en atmósferas explosivas, como en presencia de líquidos, gases o polvos inflamables. Puede que al insertar o sacar la unidad de batería del cargador se inflamen el polvo o los gases.
- **NUNCA fuerce la unidad de batería para que entre en el cargador. NO modifique la unidad de batería en ninguna forma para que entre en un cargador no compatible, pues puede producir una ruptura en la unidad de batería y causar lesiones corporales graves.** Consulte la tabla al final de este manual para ver la compatibilidad entre baterías y cargadores.
- Cargue las unidades de batería sólo en los cargadores designados por DEWALT.
- **NO salpique con ni sumerja en agua u otros líquidos.**

- **No guarde ni use la herramienta y unidad de batería en lugares donde la temperatura pueda alcanzar o superar los 40 °C (104 °F), tales como cobertizos o construcciones de metal durante el verano.**

Almacene las unidades de batería en lugares frescos y secos para maximizar su vida útil.

NOTA: No almacene las unidades de batería en la herramienta con el interruptor de gatillo en posición encendida fija. Nunca use cinta adhesiva para mantener el interruptor de gatillo en posición ENCENDIDA.

- **No incinere la unidad de batería, aunque esté completamente dañada o descargada. La unidad de batería puede explotar si se quema.** Cuando se queman unidades de batería de iones de litio, se producen gases y materiales tóxicos.
- **Si el contenido de la batería entra en contacto con la piel, lave el área de inmediato con agua y un jabón suave.** Si el líquido de la batería entra en contacto con sus ojos, enjuáguelos con agua y los ojos abiertos por 15 minutos o hasta que cese la irritación. Si se requiere de asistencia médica, el electrolito de la batería está compuesto por una mezcla de carbonatos orgánicos líquidos y sales de litio.
- **El contenido de los elementos abiertos de la batería puede causar irritación en el tracto respiratorio.** Salga al aire fresco. Si los síntomas persisten, busque asistencia médica.

⚠️ ADVERTENCIA: Peligro de quemaduras. El líquido de la batería puede ser inflamable si se expone a chispas o llamas.

⚠️ ADVERTENCIA: Peligro de incendio. Nunca intente abrir la unidad de batería por ningún motivo. Si la caja exterior de la unidad de batería se triza o daña, no la introduzca en el cargador. No triture, deje caer o dañe la unidad de batería. No use una unidad de batería o un cargador que haya sido golpeado, dejado caer, atropellado o dañado en cualquier forma (por ejemplo, perforado por un clavo, golpeado con un martillo, pisado). Lleve sus unidades de batería dañadas al centro de servicio para que sean recicladas.

Transporte

⚠️ ADVERTENCIA: Peligro de incendio. No guarde o transporte la batería de forma que los terminales expuestos de la misma puedan estar en contacto con objetos metálicos. Por ejemplo, no ponga la batería en delantales, bolsillos, cajas de herramientas, estuches de productos, cajones, etc., junto con clavos, tornillos, y llaves, etc. **El transporte de baterías puede causar incendios si sus terminales inadvertidamente entran en contacto con materiales conductores como llaves, monedas, herramientas manuales y otros por el estilo.** El Reglamento sobre Materiales Peligrosos (HMR) del Departamento de Transporte de EE.UU. prohíbe transportar baterías comercialmente o en aviones en el equipaje de mano A MENOS que

estén debidamente protegidas contra cortocircuitos. Por lo tanto, cuando transporte baterías individuales, asegúrese de que sus terminales estén protegidos y debidamente aislados de los materiales que pudieran entrar en contacto con ellos y provocar un cortocircuito.

TRANSPORTE DE LA BATERÍA FLEXVOLT™ DE DEWALT

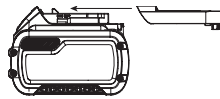
La batería FLEXVOLT™ de DEWALT tiene dos modalidades:

Uso y transporte.

Modalidad de uso: Cuando la batería FLEXVOLT™ está independiente o está en un producto DEWALT de 20 V Máx* funcionará como una batería de 20 V Máx*. Cuando la batería FLEXVOLT™ está en un producto de 60 V Máx* o 120 V Máx* (dos baterías de 60 V Máx*), funcionará como una batería de 60V Máx*.

Modalidad de transporte:

Cuando la batería FLEXVOLT™ tiene puesta la tapa, la batería está en modalidad de transporte.



Cadenas de celdas están desconectadas eléctricamente dentro de la unidad de batería, lo que resulta en tres baterías con una capacidad nominal de vatios hora (Wh) inferior comparada con una batería con una capacidad nominal de vatios hora superior. Esta mayor cantidad de tres baterías con una capacidad nominal de vatios-hora menor puede hacer que la unidad de batería quede exenta de ciertos reglamentos de transporte que se imponen a las baterías con mayor capacidad nominal de vatios-hora.

La etiqueta en la batería indica dos capacidades nominales de vatios-hora (ver el ejemplo). Dependiendo de cómo se transporta la batería, debe usarse la capacidad nominal vatios-hora apropiada para determinar los requisitos de transporte aplicables. Si se utiliza la tapa de transporte, la unidad de batería será considerada tres baterías con la capacidad nominal de vatios-hora indicada para «Transporte». Si se transporta sin la tapa o en una herramienta, la unidad de batería será considerada una batería con la capacidad nominal de vatios-hora indicada al lado de «Uso».

Ejemplo de Marcado en Etiqueta de Uso y Transporte

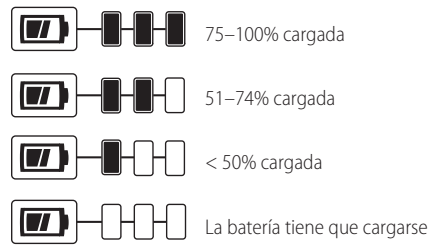
USE: 120 Wh Shipping: 3 x 40 Wh

Por ejemplo, la capacidad nominal de Wh de Transporte puede indicar 3 x 40 Wh, lo que significa 3 baterías de 40 vatios-hora cada una. La capacidad nominal de Wh de Uso puede indicar 120 Wh (se implica 1 batería).

Unidades de Batería con Indicador de Carga (Fig. B)

Algunas unidades de batería DEWALT incluyen un indicador de carga que consiste de tres luces LED verdes que indican el nivel de carga que queda en la unidad de batería.

El indicador de carga es una indicación de niveles aproximados de carga que quedan en la batería según los indicadores siguientes:



Para activar el indicador de carga, presione y sostenga el botón del indicador. Se iluminará una combinación de las tres luces LED verdes, que indicará el nivel de carga que queda. Cuando el nivel de carga está por debajo del nivel útil, el indicador no se iluminará, y la batería deberá recargarse.

Fig. B



NOTA: El indicador de carga es sólo eso: un indicador de la carga de la unidad de batería. No indica el nivel de funcionalidad de la herramienta y puede variar de acuerdo a las piezas del producto, la temperatura y la aplicación que el usuario le dé.

Para mayor información sobre unidades de batería con indicadores de carga, por favor llame al 1-800-4-DEWALT (1-800-433-9258) o visite nuestro sitio Web: www.dewalt.com.

El sello RBRC®

El sello RBRC® (Rechargeable Battery Recycling Corporation) en las baterías (unidades de batería) de níquel cadmio, níquel e hidruro metálico o de iones de litio indica que el costo de reciclaje de estas baterías (o unidades de batería) al llegar al final de su vida de servicio ya ha sido pagado por DEWALT. En algunas áreas, es ilegal depositar baterías de níquel cadmio, níquel e hidruro metálico o de iones de litio gastadas en la basura o la corriente de residuos sólidos urbanos; el programa Call 2 Recycle® proporciona una alternativa ecológica.



Call 2 Recycle, Inc., en cooperación con DEWALT y otros usuarios de baterías, han establecido programas en los Estados Unidos y Canadá para facilitar la recolección de baterías de níquel cadmio, níquel e hidruro metálico o de iones de litio gastadas. Al llevar sus baterías de níquel cadmio, níquel e hidruro metálico y de iones de litio gastadas a un centro de servicio autorizado por DEWALT o al minorista local para que sean recicladas, ayuda a proteger el medio ambiente y a conservar recursos naturales. También puede comunicarse con el centro de reciclaje de su localidad para mayor información sobre dónde llevar sus baterías gastadas.

RBRC® es una marca comercial registrada de Call 2 Recycle, Inc.

Instrucciones Importantes de Seguridad Para Todos los Cargadores de Baterías



ADVERTENCIA: Advertencia: Lea todas las advertencias de seguridad y todas las instrucciones para el paquete de la batería cargador y luz de tripié. No seguir las advertencias y las instrucciones puede provocar una descarga eléctrica, un incendio y/o lesiones graves.

- **NO intente cargar la unidad de batería con otros cargadores que no sean los descritos en este manual.** El cargador y la unidad de batería fueron específicamente diseñados para trabajar en conjunto.
- **Estos cargadores no fueron diseñados para ser utilizados para más que cargar las baterías recargables DEWALT.** Cualquier otro uso puede producir riesgo de incendios, descargas eléctricas o electrocución.
- **No exponga el cargador a la lluvia o a la nieve.**
- **Tire del enchufe y no del cable cuando desconecte el cargador.** De esta forma se reduce el riesgo de daño al enchufe y cable.
- **Asegúrese de que el cable no sea ubicado de manera que podría ser pisado, causar que alguien tropiece con él o ser expuesto a otro tipo de daños y desgastes.**
- **No use un alargador a menos que sea absolutamente necesario.** El uso de un alargador incorrecto podría producir riesgo de incendios, descargas eléctricas o electrocución.
- **Cuando opere un cargador al exterior, hágalo siempre en un lugar seco y use un alargador apropiado para uso al exterior.** El uso de un alargador apropiado para uso al exterior reduce el riesgo de descarga eléctrica.
- **Los hilos del alargador deben ser de un calibre apropiado (AWG o American Wire Gauge) para su seguridad.** Mientras menor sea el calibre del hilo, mayor la capacidad del cable. Es decir, un hilo calibre 16 tiene mayor capacidad que uno de 18. Un cable de un calibre insuficiente causará una caída en la tensión de la línea dando por resultado una pérdida de energía y sobrecalentamiento. Cuando se utilice más de un alargador para completar el largo total, asegúrese que los hilos de cada alargador tengan el calibre mínimo. La tabla siguiente muestra el tamaño correcto a utilizar, dependiendo de la longitud del cable y del amperaje nominal de la placa de identificación. Si tiene dudas sobre cuál calibre usar, use un calibre mayor. Cuanto menor sea el número del calibre, más resistente será el cable.

Calibre mínimo de conjuntos de cables

Voltios	Longitud total del cable en pies (metros)					
	120 V	25 (7,6)	50 (15,2)	100 (30,5)	150 (45,7)	
240 V	50 (15,2)	100 (30,5)	200 (61,0)	300 (91,4)		
Amperaje nominal		AWG				
Más de	No Más de					
0	6	18	16	16	14	
6	10	18	16	14	12	
10	12	16	16	14	12	
12	16	14	12	No recomendado		

- **No coloque ningún objeto encima del cargador ni coloque a este sobre una superficie blanda que pudiera bloquear las ranuras de ventilación y resultar en un calor interno excesivo.** Coloque el cargador en un lugar alejado de cualquier fuente de calor. El cargador se ventila a través de las ranuras que se encuentran en la parte superior e inferior de la caja protectora.
- **No opere el cargador si su cable o enchufe están dañados.**
- **No opere el cargador si ha recibido un golpe agudo, si se ha caído o si ha sido dañado de alguna otra forma.** Llévelo a un centro de servicio autorizado.
- **No desarme el cargador; llévelo a un centro de servicio autorizado cuando deba ser reparado.** Si es reensamblado incorrectamente, puede causar descargas eléctricas, electrocución o incendios.
- **Desenchufe el cargador antes de intentar limpiarlo.** Esto reducirá el riesgo de descargas eléctricas. El retirar el paquete de baterías no reducirá este riesgo.
- **NUNCA intente conectar 2 cargadores entre sí.**
- **El cargador está diseñado para operar con una corriente eléctrica estándar residencial de 120 V. No intente usarlo con ningún otro voltaje.** Esto no aplica al cargador vehicular.



ADVERTENCIA: Peligro de descarga eléctrica. No permita que ningún líquido se introduzca en el cargador. Puede producir descargas eléctricas.



ADVERTENCIA: Peligro de quemaduras. No sumerja la unidad de batería en líquido de ningún tipo ni permita que se introduzca ningún tipo de líquido a la unidad de batería. Nunca intente abrir la unidad de batería por ningún motivo. Si la caja plástica de la unidad de batería se triza o rompe, llévela a un centro de servicio para su reciclaje



ATENCIÓN: Peligro de quemaduras. Para reducir el riesgo de lesiones, sólo cargue unidades de batería recargables marca DEWALT. Otros tipos de batería podrían sobrecalentarse y reventar lo que podría resultar en lesiones corporales y daños a su propiedad.
AVISO: Bajo ciertas condiciones, cuando el cargador está enchufado a una toma de corriente, el cargador puede hacer cortocircuito si entra en contacto con algún material ajeno. Los materiales ajenos de naturaleza conductora, como el polvo de esmerilado,

las placas de metal, la lana de acero, el papel de aluminio y otros, o cualquier acumulación de partículas metálicas deberían mantenerse alejados de las cavidades del cargador. Desenchufe siempre el cargador cuando no haya una unidad de batería en su cavidad. Desenchufe el cargador antes de intentar limpiarlo.

Certificaciones inalámbricas e información de seguridad

- Este dispositivo cumple con CAN ICES-3(B)/NMB-3(B).
- Este dispositivo cumple con la Sección 15 de las normas de la Comisión Federal de Comunicaciones (FCC) y las normas RSS de exención de licencia del Ministerio de Industria de Canadá. Su funcionamiento está sujeto a las dos siguientes condiciones:
 - Este dispositivo no puede causar interferencia dañina, y
 - Este dispositivo debe aceptar cualquier interferencia que reciba, incluyendo aquella interferencia que podría producir un funcionamiento no deseado.

Este equipo ha sido probado y se ha demostrado que cumple con los límites establecidos para dispositivos digitales de Clase B, de conformidad con la Sección 15 de las Normas de la FCC. Estos límites están diseñados para ofrecer un nivel razonable de protección contra la interferencia dañina en instalaciones residenciales. Este equipo genera, utiliza y puede emitir energía de radiofrecuencia y, si no se instala y utiliza de acuerdo con las instrucciones proporcionadas, puede producir una interferencia dañina a la comunicación radial. Sin embargo, no existen garantías de que no ocurra interferencia alguna en una instalación en particular. Si este equipo produce interferencia dañina a la recepción radial o de televisión, lo que puede determinarse al apagar y volver a encender el equipo, se pide al usuario que corrija la interferencia implementando una o más de las siguientes medidas:

- Cambie la orientación o el lugar donde esté ubicada la antena receptora.
- Aumente el espacio que separa al equipo del receptor.
- Conecte el equipo a una toma de corriente que esté en un circuito diferente al circuito al que esté conectado el receptor.
- Consulte con el distribuidor o con un técnico de radio y televisión con experiencia que pueda ayudarle.
- Los cambios o modificaciones que no estén aprobados expresamente por el fabricante podrían anular la autorización del usuario para utilizar el dispositivo. Este aparato digital de la Clase B cumple con la norma canadiense ICES-003.
- Según el reglamento del Ministerio de Industria de Canadá, este transmisor de radio puede funcionar solamente con una antena del tipo y de la máxima (o menor) ganancia aprobados para el transmisor por el Ministerio de Industria de Canadá. Para reducir la posible interferencia radioeléctrica a otros usuarios, el tipo de antena y su ganancia deberían elegirse de manera que la potencia isotrópica radiada equivalente (p.i.r.e.) no sea mayor que la necesaria para una comunicación satisfactoria.

- Para cumplir con los límites de exposición a radiación de radiofrecuencia establecidos por la FCC y el Ministerio de Industria de Canadá para la población general, la antena utilizada para este dispositivo no debe ser colocada ni funcionar junto con cualquier otra antena o transmisor.

Para productos con Bluetooth®

- Al viajar en avión, asegúrese de cumplir con las restricciones de las líneas aéreas acerca del uso de dispositivos electrónicos personales y Bluetooth®.
- La función de alerta de fuera de alcance ha sido diseñada para servir de ayuda para evitar la pérdida o robo de productos. No es un sistema de seguridad.
- El rango de conectividad es de hasta 30.5 m (100 pies) dependiendo del entorno y la ubicación.
- Las señales de radiofrecuencia de onda corta de un dispositivo Bluetooth® pueden afectar el funcionamiento de otros dispositivos médicos y electrónicos (como marcapasos o audífonos).

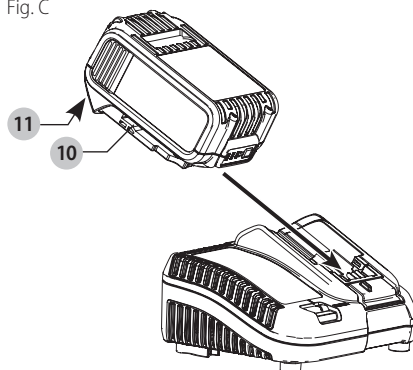
NOTA: La marca denominativa y los logotipos de Bluetooth® son marcas registradas propiedad de Bluetooth®, SIG, Inc. y todo uso de dichas marcas por DEWALT se hace bajo licencia. Otras marca y nombres comerciales son de sus respectivos propietarios.

Este producto cumple con estas normas cuando se pone en funcionamiento con un alargador de 1.82 m (6 pies) o más corto.

Carga de una batería (Fig. C)

1. Enchufe el cargador en una toma de corriente apropiada antes de introducir la batería.

Fig. C



2. Inserte la batería **10** en el cargador, comprobando esté bien fija. La luz roja (de carga) parpadeará continuamente para indicar que se ha iniciado el proceso de carga.
3. La luz roja se quedará ENCENDIDA continuamente cuando se haya completado el proceso de carga. La batería estará entonces completamente cargada y podrá ser utilizada de inmediato o dejarse en el cargador. Para sacar la batería del cargador, presione el botón de liberación **11** de la batería.

NOTA: Para asegurar el máximo rendimiento y vida útil de las baterías de iones de litio, cargue la batería completamente antes de usarla por primera vez.

Funcionamiento del cargador

Consulte los indicadores a continuación relativos al estado de carga de la batería.

DCB107, DCB112, DCB113, DCB115, DCB118, DCB132



*DCB107, DCB112, DCB113, DCB115, DCB118,

DCB132: La luz roja continuará parpadeando, pero una luz indicadora amarilla estará iluminada durante esta operación. Una vez que la batería haya llegado a una temperatura apropiada, la luz amarilla se apagará y el cargador continuará con el procedimiento de carga.

El cargador no cargará una batería defectuosa. El cargador indicará que la unidad de batería es defectuosa al no iluminarse o al indicar que existe un problema con la unidad o el cargador.

NOTA: Esto también puede significar que hay un problema con el cargador.

Si el cargador indica un problema, lleve el cargador y la batería a un centro de servicio autorizado para que sean sometidos a pruebas.

Retraso por batería caliente/fría

Cuando el cargador detecta que una batería está demasiado caliente o demasiado fría, inicia automáticamente un Retraso por batería caliente/fría y suspende la carga hasta que la batería alcanza una temperatura adecuada. En ese momento, el cargador inicia automáticamente el modo de carga de la batería. Esta función garantiza la máxima duración de la batería.

Una batería fría se carga más lentamente que una batería caliente. La batería se cargará a ese ritmo más lento durante todo el ciclo de carga y no volverá a cargarse a la velocidad de carga máxima incluso si la batería se calienta.

El cargador DCB118 está equipado con un ventilador interno diseñado para enfriar la batería. El ventilador se encenderá automáticamente cuando la batería tenga que enfriarse.

No opere nunca el cargador si el ventilador no funciona adecuadamente o si las ranuras de ventilación están obstruidas. No permita que entren objetos extraños dentro del cargador.

Sistema de protección electrónica

Las herramientas con baterías de iones de litio están diseñadas con un Sistema de protección electrónico que protegerá la batería contra la sobrecarga, el sobrecalentamiento o la descarga completa.

La herramienta se apagará automáticamente si el Sistema de protección electrónico se activa. Si esto ocurre, coloque la batería de iones de litio en el cargador hasta que esté totalmente cargada.

Montaje en la pared

DCB107, DCB112, DCB113, DCB115, DCB118, DCB132

Estos cargadores están diseñados para montarse en la pared o colocarse en posición vertical sobre una mesa o superficie de trabajo. Si lo monta en la pared, coloque el cargador al alcance de una toma de corriente eléctrica y alejado de las esquinas u otras obstrucciones que puedan impedir el flujo de aire. Utilice la parte de atrás del cargador como plantilla para la ubicación de los tornillos de montaje en la pared. Monte el cargador firmemente utilizando tornillos para muro seco (comprados por separado) de un mínimo de 25,4 mm (1") de largo, con una cabeza de un diámetro de 7-9 mm (0,28-0,35"), atornillados en madera hasta una profundidad óptima dejando el tornillo expuesto aproximadamente 5,5 mm (7/32"). Alinee las ranuras en la parte trasera del cargador con los tornillos expuestos e introdúzcalos totalmente en las ranuras.

Instrucciones de limpieza del cargador



ADVERTENCIA: Riesgo de descarga eléctrica.

Desconecte el cargador del tomacorriente de CA antes de limpiarlo. Para limpiar la suciedad y grasa del exterior del cargador puede usarse un paño o cepillo suave no metálico. No use agua ni soluciones limpiadoras.

Notas importantes sobre la carga

- Se puede obtener una mayor duración y un mejor rendimiento si la unidad de batería se carga a una temperatura ambiente de 18 – 24 °C (65 – 75 °F). NO cargue la unidad de batería a una temperatura ambiental inferior a +4.5 °C (+40 °F) o superior a +40 °C (+104 °F). Esto es importante y evitará causar daños graves a la batería.
- Puede que el cargador y la unidad de batería se calienten ligeramente durante el proceso de carga. Esto es normal y no representa ningún problema. Para facilitar el enfriamiento de la unidad de batería después del uso, evite colocar el cargador o la unidad de batería en un lugar cálido, como un cobertizo metálico o un remolque sin aislamiento térmico.
- Si la unidad de batería no se carga correctamente:
 - Verifique el funcionamiento de la toma enchufando una lámpara u otro aparato;
 - Revise que la toma de corriente no esté conectada a un interruptor de luz que corte la corriente cuando se corte la luz;
 - Mueva el cargador y la unidad de batería a un lugar donde la temperatura ambiental sea aproximadamente 18 – 24 °C (65 – 75 °F);
 - Si el problema de carga continúa, lleve la herramienta, unidad de batería y el cargador a su centro de servicio local.
- La unidad de batería debería ser recargada cuando no sea capaz de producir suficiente potencia para trabajos que eran fácilmente realizados antes. NO CONTINÚE usándola bajo estas circunstancias. Siga el

procedimiento de carga. También puede cargar una unidad de batería que haya sido usada parcialmente cuando lo desee, sin dañarla.

- Los materiales ajenos conductores por naturaleza, tales como, pero sin limitarse a, el polvo del esmerilado, las virutas metálicas, la lana de acero, el papel de aluminio o cualquier acumulación de partículas metálicas deberían mantenerse alejados de las cavidades del cargador. Desenchufe siempre el cargador de la toma de corriente cuando no haya una unidad de batería en su cavidad. Desenchufe el cargador antes de intentar limpiarlo.
- No congele ni sumerja el cargador en agua o cualquier otro líquido.

Recomendaciones de almacenamiento

- El mejor lugar de almacenamiento es uno que sea fresco y seco, lejos de la luz solar directa y del exceso de calor o frío.
- Para resultados óptimos durante tiempos prolongados de almacenamiento, se recomienda almacenar la unidad de batería completamente cargada en un lugar fresco y seco fuera del cargador.

NOTA: Las unidades de batería no deberían almacenarse completamente descargadas. La unidad de batería deberá recargarse antes de ser usada.

GUARDE ESTAS INSTRUCCIONES PARA VOLVER A CONSULTAR EN EL FUTURO

COMPONENTES (FIG. A)

⚠ ADVERTENCIA: Nunca modifique la luz de tripié o ninguna parte de ésta. Podría producir lesiones corporales o daños.

Consulte la Figura A al principio de este manual para obtener una lista completa de los componentes.

Uso Debido

Esta luz de tripié está diseñada para iluminación comercial y de espacio de trabajo doméstico.

NO utilice la herramienta en condiciones de humedad o en presencia de líquidos o gases inflamables.

NO permita que los niños toquen la herramienta. Si el operador no tiene experiencia operando esta herramienta, su uso deberá ser supervisado.

MONTAJE Y AJUSTES

⚠ ADVERTENCIA: Para reducir el riesgo de lesiones personales graves, apague la herramienta y retire el paquete de baterías antes de realizar ajustes o de retirar/installar dispositivos o accesorios. Un arranque accidental podría causar lesiones.

⚠ ADVERTENCIA: Riesgo de quemadura. Las lentes y el difusor de calor se ponen muy calientes durante el uso. Para reducir el riesgo de quemaduras o incendio, no los toque y mantenga lejos de materiales combustibles durante la operación.

Configuración de luz de tripié (Fig. A)

Para configurar su luz de tripié desde su posición de transporte colapsada, sostenga la manija/reposo **5** con una mano y después use su otra mano para sostener la manija de transporte **8**. Mientras presione el botón de liberación de pata **6**, deslice la manija de transporte **8** hacia abajo hasta que las patas se extiendan y aseguren en su lugar. Asegúrese que las patas estén completamente extendidas y bloqueadas en su lugar antes de extender el poste del reflector.

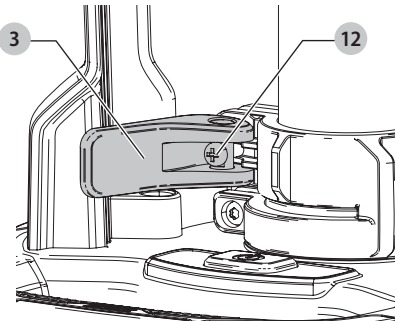
Extensión de Reflector LED (Fig. A, D, E)

La altura de su luz de tripié se puede ajustar al extender o colapsar los postes de extensión **2**.

- Extienda las patas **7** y asegúrelas/bloquéelas en su posición (consulte **Configuración de luz de tripié**).
- Desabroche el seguro **3** superior y levante la cabeza del alojamiento. Extienda el poste a la altura deseada.
- Cierre completamente el seguro de la extensión superior y asegúrese que el poste de extensión esté bloqueado en su lugar.
- Para más altura, desabroche el seguro inferior y extienda la cabeza a la altura requerida.
- Asegure completamente el seguro inferior y asegúrese que el poste de extensión esté bloqueado en su lugar.
- Gire la cabeza al ángulo deseado.

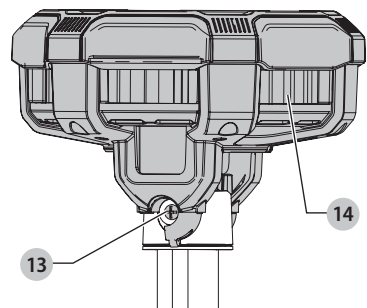
NOTA: Con el tiempo, los seguros se pueden aflojar. Si esto sucede, abra los seguros **3** y apriete a mano los tornillos **12** (Fig. D). No apriete en exceso, ya que podría dañar los seguros.

Fig. D



NOTA: Con el tiempo, el reflector se puede aflojar. Si esto sucede, apriete a mano los dos tornillos del reflector **13** (Fig. E) ubicados en la parte posterior del reflector **1**.

Fig. E



Colapso y transporte de luz de tripié (Fig. A)

ATENCIÓN: Mantenga las manos y los dedos alejados cuando colapse el reflector de nuevo en su alojamiento para evitar pellizcar los dedos y manos.

Para colapsar su tripié en la posición de transporte, primero colapse los postes de extensión 2 de forma que el reflector descansa en la posición más baja y esté dentro del alojamiento. Bloquee los seguros 3. Presione el botón de liberación de pata 6 y deslice la manija de transporte 8 hacia arriba hasta que las patas se plieguen completamente.

Almacenamiento de luz de tripié

Guarde su luz de tripié en su posición de transporte cerrada (consulte **Colapso y transporte de Luz de tripié**) sobre su costado sobre la manija/reposo 5, o verticalmente con las patas extendidas y el reflector completamente colapsado en la base.

ATENCIÓN: No guarde la luz verticalmente cuando esté en posición cerrada ya que se podría voltear causando lesiones o daño a la luz.

OPERACIÓN

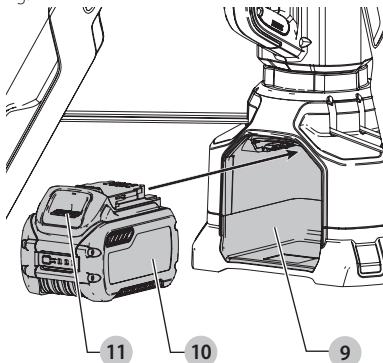
ADVERTENCIA: Para reducir el riesgo de lesiones personales graves, apague la herramienta y retire el paquete de baterías antes de realizar ajustes o de retirar/instalar dispositivos o accesorios. Un arranque accidental podría causar lesiones.

Cómo instalar y retirar la unidad de batería (Fig. F)

NOTA: Para mejores resultados, verifique que su unidad de batería esté completamente cargada.

- Para instalar el paquete de batería 10 en la luz de tripié, alinee el paquete de batería con los rieles dentro del puerto de la batería de la luz de tripié 9 y deslícela hasta que el paquete de batería esté asentado firmemente. Asegúrese que no se desconecte.
- Para retirar el paquete de batería de la luz de tripié, presione el botón de liberación 11 en el paquete de batería y jale firmemente el paquete de batería hacia afuera.

Fig. F



Uso (Fig. A, E)

ADVERTENCIA: Riesgo de quemadura. Las lentes y el difusor de calor se ponen muy calientes durante el uso. Para reducir el riesgo de quemaduras o incendio, no los toque y mantenga lejos de materiales combustibles durante la operación.

1. Coloque la luz de tripié sobre una superficie estable y nivelada reposando sobre sus tres patas extendidas.
2. Para encender la luz, presione el botón de energía 4. La luz se encenderá en el ajuste más brillante. Presionar el botón de energía una segunda vez cambiará la luz a brillo medio, y presionarla una tercera vez cambiará la luz al menor brillo. Presionar el botón de energía una cuarta vez la apagará.
3. Gire el reflector conforme se necesite utilizando el marco del reflector.
4. Cuando termine de usar la luz de tripié, presione el botón de energía hasta que la luz se apague.

ADVERTENCIA: Riesgo de quemadura. El difusor de calor del reflector 14 (Fig. E) se calienta durante el uso. No toque el difusor de calor cuando la luz de trabajo esté funcionando o inmediatamente después el uso, y manténgala alejada de materiales combustibles. Siempre gire la cabeza utilizando sólo el marco de ésta.

Indicador de batería baja

Conforme la batería se acerque a un estaco completamente descargado, la luz parpadeará dos veces y después se atenuará, bajando el brillo de la luz debajo del nivel normal. La luz continuará parpadearando dos veces cada 45 segundos hasta que esté completamente descargada en cuyo momento la luz se apagará. El tiempo de indicación variará en base a la capacidad del paquete de la batería.

ADVERTENCIA: Deje de trabajar y reemplace la batería cuando esto suceda. Para reducir el riesgo de lesiones, siempre tenga una batería de respaldo o iluminación secundaria disponible si la situación lo requiere.

MANTENIMIENTO

ADVERTENCIA: Para reducir el riesgo de lesiones personales graves, apague la herramienta y retire el paquete de baterías antes de realizar ajustes o de retirar/instalar dispositivos o accesorios. Un arranque accidental podría causar lesiones.

La fuente de luz contenida en esta luz sólo se debe reemplazar por el fabricante o su agente de servicio o una persona calificada similar.

Limpieza

ADVERTENCIA: Sople la suciedad y el polvo de todos los conductos de ventilación con aire seco, al menos una vez por semana. Para reducir el riesgo de lesiones, utilice siempre protección para los ojos aprobada ANSI Z87.1 al realizar esta tarea.



ADVERTENCIA: Nunca utilice solventes ni otros químicos abrasivos para limpiar las piezas no metálicas de la herramienta. Estos productos químicos pueden debilitar los materiales plásticos utilizados en estas piezas. Utilice un paño humedecido sólo con agua y jabón neutro. Nunca permita que penetre líquido dentro de la herramienta ni sumerja ninguna de las piezas en un líquido.

Accesorios



ADVERTENCIA: Debido a que no se han probado con este producto otros accesorios que no sean los que ofrece DeWALT, el uso de dichos accesorios con esta herramienta podría ser peligroso. Para reducir el riesgo de lesiones, con este producto deben usarse sólo los accesorios recomendados por DeWALT.

Los accesorios que se recomiendan para utilizar con la herramienta están disponibles a un costo adicional en su distribuidor local o en un centro de mantenimiento autorizado. Si necesita ayuda para localizar algún accesorio, póngase en contacto con DeWALT Industrial Tool Co., 701 East Joppa Road, Towson, MD 21286, llame al 1-800-4-DeWALT (1-800-433-9258) o visite nuestro sitio web: www.dewalt.com.

Reparaciones

El cargador y las unidades de batería no pueden ser reparados.



ADVERTENCIA: Para asegurar la **SEGURIDAD** y la **CONFIABILIDAD** del producto, las reparaciones, el mantenimiento y los ajustes (inclusive la inspección y el cambio de las escobillas, cuando proceda) deben ser realizados en un centro de mantenimiento en la fábrica DeWALT u en un centro de mantenimiento autorizado DeWALT. Utilice siempre piezas de repuesto idénticas.

Para reparación y servicio de sus herramientas eléctricas, favor de dirigirse al Centro de Servicio más cercano

CULIACAN, SIN

Bld. Emiliano Zapata 5400-1 Poniente Col. (667) 717 89 99
San Rafael

GUADALAJARA, JAL

Av. La Paz #1779 - Col. Americana Sector (33) 3825 6978
Juárez

MEXICO, D.F.

Eje Central Lázaro Cárdenas No. 18 - Local (55) 5588 9377
D, Col. Obrera

MERIDA, YUC

Calle 63 #459-A - Col. Centro (999) 928 5038

MONTERREY, N.L.

Av. Francisco I. Madero 831 Poniente - Col. (818) 375 23 13
Centro

PUEBLA, PUE

17 Norte #205 - Col. Centro (222) 246 3714

QUERETARO, QRO

Av. San Roque 274 - Col. San Gregorio (442) 2 17 63 14

SAN LUIS POTOSI, SLP

Av. Universidad 1525 - Col. San Luis (444) 814 2383

TORREON, COAH

Bld. Independencia, 96 Pte. - Col. Centro (871) 716 5265

VERACRUZ, VER

Prolongación Díaz Mirón #4280 - Col. (229) 921 7016
Remes

VILLAHERMOSA, TAB

Constitución 516-A - Col. Centro (993) 312 5111

PARA OTRAS LOCALIDADES:

Si se encuentra en México, por favor llame al (55) 5326 7100

Si se encuentra en U.S., por favor llame al 1-800-433-9258 (1-800 4-DeWALT)

Póliza de Garantía

IDENTIFICACIÓN DEL PRODUCTO:

Sello o firma del Distribuidor.

Nombre del producto: _____

Mod./Cat.: _____

Marca: _____

Núm. de serie: _____

(Datos para ser llenados por el distribuidor)

Fecha de compra y/o entrega del producto:

Nombre y domicilio del distribuidor donde se adquirió el producto:

Este producto está garantizado por un año a partir de la fecha de entrega, contra cualquier defecto en su funcionamiento, así como en materiales y mano de obra empleados para su fabricación. Nuestra garantía incluye la reparación o reposición del producto y/o componentes sin cargo alguno para el cliente, incluyendo mano de obra, así como los gastos de transportación razonablemente erogados derivados del cumplimiento de este certificado.

Para hacer efectiva esta garantía deberá presentar su herramienta y esta póliza sellada por el establecimiento comercial donde se adquirió el producto, de no contar con ésta, bastará la factura de compra.

Excepciones

Esta garantía no será válida en los siguientes casos:

- Cuando el producto se hubiese utilizado en condiciones distintas a las normales;
- Cuando el producto no hubiese sido operado de acuerdo con el instructivo de uso que se acompaña;
- Cuando el producto hubiese sido alterado o reparado por personas distintas a las enlistadas al final de este certificado.

Anexo encontrará una relación de sucursales de servicio de fábrica, centros de servicio autorizados y franquiciados en la

ESPAÑOL

República Mexicana, donde podrá hacer efectiva su garantía y adquirir partes, refacciones y accesorios originales.

Registro en línea

Gracias por su compra. Registre su producto ahora para:

- **SERVICIO EN GARANTÍA:** Si completa esta tarjeta, podrá obtener un servicio en garantía más eficiente, en caso de que exista un problema con su producto.
- **CONFIRMACIÓN DE PROPIEDAD:** En caso de una pérdida que cubra el seguro, como un incendio, una inundación o un robo, el registro de propiedad servirá como comprobante de compra.
- **PARA SU SEGURIDAD:** Si registra el producto, podremos comunicarnos con usted en el caso improbable que se deba enviar una notificación de seguridad conforme a la Federal Consumer Safety Act (Ley Federal de Seguridad de Productos para el Consumidor).

Registro en línea en www.dewalt.com/register.

Garantía limitada por tres años

DEWALT reparará, sin cargo, cualquier falla que surja de defectos en el material o la fabricación del producto, por hasta tres años a contar de la fecha de compra. Esta garantía no cubre fallas de las piezas causadas por su desgaste normal o abuso a la herramienta. Para mayores detalles sobre la cobertura de la garantía e información acerca de reparaciones realizadas bajo garantía, visítenos en www.dewalt.com o diríjase al centro de servicio más cercano. Esta garantía no aplica a accesorios o a daños causados por reparaciones realizadas o intentadas por terceros. ESTA GARANTÍA LIMITADA SE OTORGA EN VEZ DE TODAS LAS DEMÁS, INCLUIDA LA GARANTÍA IMPLÍCITA DE COMERCIABILIDAD Y APTITUD PARA UN FIN PARTICULAR, Y EXCLUYE TODOS LOS DAÑOS INCIDENTALES O CONSECUENTES. Algunos estados no permiten limitaciones sobre la duración de una garantía implícita, o la exclusión o limitación de daños incidentales o consecuentes, así que estas limitaciones pueden no aplicarse a usted. Esta garantía le otorga derechos legales específicos, además de los cuales usted puede tener otros derechos dependiendo del estado o la provincia en que se encuentre.

Además de la garantía, las herramientas DEWALT están cubiertas por:

1 AÑO DE SERVICIO GRATUITO

DEWALT mantendrá la herramienta y reemplazará las piezas gastadas por su uso normal, sin cobro, en cualquier momento durante un año a contar de la fecha de compra.

2 AÑOS DE SERVICIO GRATUITO PARA UNIDADES DE ALIMENTACIÓN DEWALT

DC9071, DC9091, DC9096, DC9182, DC9280, DC9360, DCB120, DCB127, DCB201, DCB203, DCB203BT, DCB207, DCB361

3 AÑOS DE SERVICIO GRATUITO PARA UNIDADES DE ALIMENTACIÓN DEWALT

DCB200, DCB204, DCB204BT, DCB205, DCB205BT, DCB206, DCB606, DCB609

NOTA: La garantía del producto quedará nula si la unidad de batería ha sido alterada de cualquier manera. DEWALT no

es responsable de ninguna lesión causada por alteraciones y podría iniciar un procedimiento judicial por fraude de garantía hasta el máximo grado permisible por la ley.

GARANTÍA DE REEMBOLSO DE SU DINERO POR 90 DÍAS

Si no está completamente satisfecho con el desempeño de su máquina herramienta, láser o clavadora DEWALT, cualquiera sea el motivo, podrá devolverlo hasta 90 días de la fecha de compra con su recibo y obtener el reembolso completo de su dinero – sin necesidad de responder a ninguna pregunta.

AMÉRICA LATINA: Esta garantía no se aplica a los productos que se venden en América Latina. Para los productos que se venden en América Latina, debe consultar la información de la garantía específica del país que viene en el empaque, llamar a la compañía local o visitar el sitio Web a fin de obtener esa información.

REEMPLAZO GRATUITO DE LAS ETIQUETAS DE ADVERTENCIAS:

Si sus etiquetas de advertencia se vuelven ilegibles o faltan, llame al 1-800-433-9258 (1-800-4-DEWALT) para que se le reemplacen gratuitamente.

ESPECIFICACIONES

DCL079

20 V Máx*

Solamente para propósito de México:

Importado por: DEWALT Industrial Tool Co. S.A. de C.V.

Avenida Antonio Dovali Jaime, # 70 Torre B Piso 9

Colonia La Fe, Santa Fé

Código Postal : 01210

Delegación Alvaro Obregón

México D.F.

Tel. (52) 555-326-7100

R.F.C.: BDE810626-1W7







DeWALT BATTERY AND CHARGER SYSTEMS

**Chargers/Charge Time (Minutes) . Chargeurs/Durée de charge (Minutes) .
Cargadores de baterías/Tiempo de carga (Minutos)**

Battery Cat #	Output Voltage	120 Volts														12 Volts	
		DC9000	DC9310	DC9320	DC8095	DCB102	DCB103	DCB107	DCB112	DCB113	DCB114	DCB115	DCB116	DCB118	DCB132	DCB119	DW0249
DCB609	20/60	X	X	X	X	135	135	432	270	230	X	135	X	75	270	X	X
DCB606	20/60	X	X	X	X	100	100	272	170	140	X	90	X	60	90	X	X
DCB404	40	X	X	X	X	X	X	X	X	X	90	X	30	X	X	X	X
DCB406	40	X	X	X	X	X	X	X	X	X	130	X	45	X	X	X	X
DCB407	40	X	X	X	X	X	X	X	X	X	170	X	60	X	X	X	X
DC9360	36	45	X	X	X	X	X	X	X	X	X	X	X	X	X	X	X
DCB361	36	45	X	X	X	X	X	X	X	X	X	X	X	X	X	X	X
DC9280	28	60	X	X	X	X	X	X	X	X	X	X	X	X	X	X	X
DW0242	24	X	X	X	X	X	X	X	X	X	X	X	X	X	X	X	60
DCB200	20	X	X	X	X	60	60	140	90	67	X	45	X	45/30**	45	90	X
DCB201	20	X	X	X	X	30	30	70	45	35	X	22	X	22	22	45	X
DCB203	20	X	X	X	X	35	35	90	60	45	X	30	X	30	30	60	X
DCB203BT*	20	X	X	X	X	35	35	90	60	45	X	30	X	30	30	60	X
DCB204	20	X	X	X	X	70	70	185	120	90	X	60	X	60/40**	60	120	X
DCB204BT*	20	X	X	X	X	70	70	185	120	90	X	60	X	60	60	120	X
DCB205	20	X	X	X	X	95	95	240	150	112	X	75	X	75/47**	75	150	X
DCB205BT*	20	X	X	X	X	95	95	240	150	112	X	75	X	75/47**	75	150	X
DCB206	20	X	X	X	X	100	100	272	170	140	X	90	X	60	90	X	X
DCB207	20	X	X	X	X	30	30	60	40	30	X	22	X	22	22	X	X
DC9182	18	X	40	40	X	X	40	X	X	X	X	X	X	X	X	X	40
DCB120	12	X	X	X	X	30	30	60	45	35	X	20	X	X	X	45	X
DCB127	12	X	X	X	X	35	35	90	60	50	X	30	X	X	X	60	X
DCB080	8	X	X	X	60	X	X	X	X	X	X	X	X	X	X	X	X

*BT - Bluetooth® **NOTE:** The Bluetooth® word mark and logos are registered trademarks owned by the Bluetooth®, SIG, Inc. and any use of such marks by DeWALT is under license. Other trademarks and trade names are those of their respective owners.

**Battery Datecode 201536 or later.

"X" Indicates that the battery pack is not compatible with that specific charger. All charge times are approximate. Actual charge time may vary. Read the instruction manual for more specific information.

"X" indique que le bloc-piles n'est pas compatible avec ce chargeur. Les durées de charge sont approximatives; la durée de charge réelle peut varier. Lire le manuel d'utilisation pour obtenir des renseignements plus précis.

Una "X" indica que el paquete de baterías no es compatible con ese determinado cargador. El tiempo de duración de carga es aproximado; la duración de carga real puede variar. Lea el manual de instrucciones para obtener información más precisa.

DeWALT Industrial Tool Co., 701 East Joppa Road, Towson, MD 21286
(JUL17) Part No. N522938 DCL079 Copyright © 2017 DeWALT

The following are trademarks for one or more DeWALT power tools: the yellow and black color scheme, the "D" shaped air intake grill, the array of pyramids on the handgrip, the kit box configuration, and the array of lozenge-shaped humps on the surface of the tool.