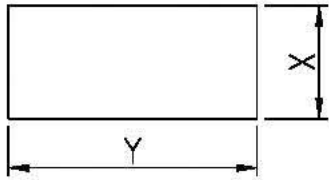
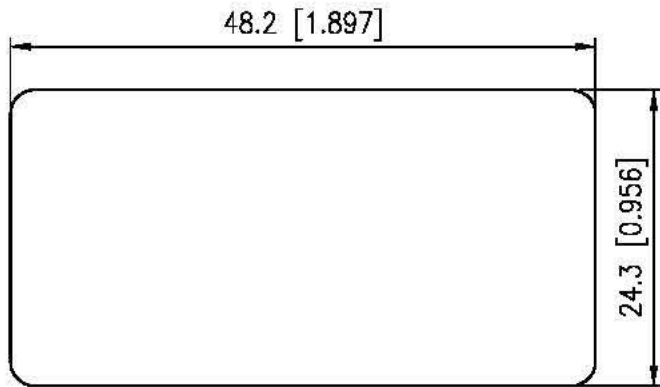
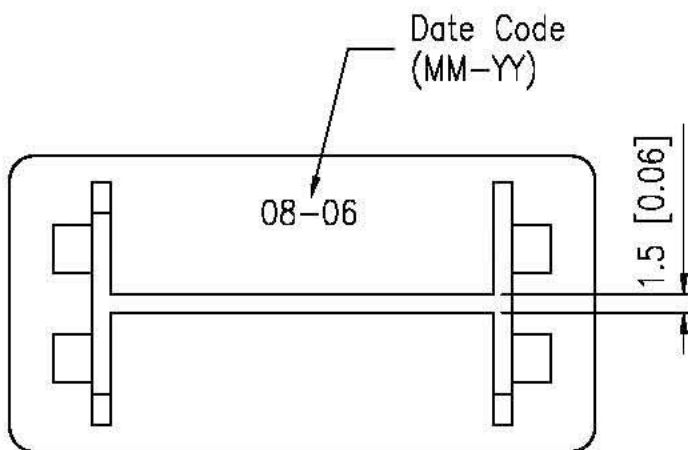
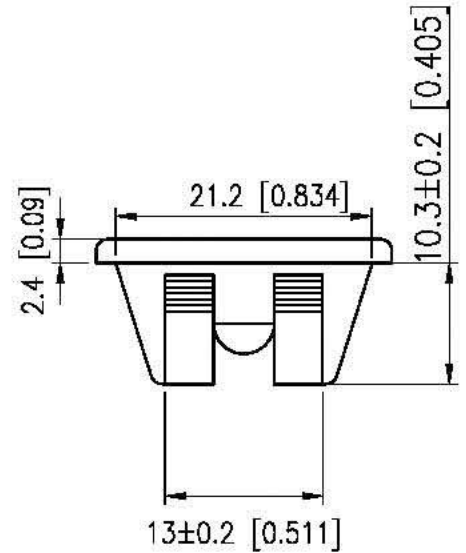
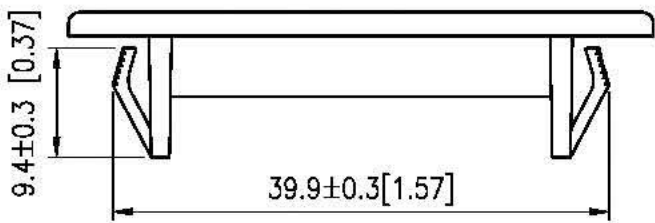


Rating		Mounting Hole		
		Thickness	X	Y
Contact R		2.5~3.0[0.1~0.12]	21.±0.2[0.82]	37.4±0.4[1.47]
Insulation R				
Dielectric Strength				
Operation Temperature				
Circuit				



Material:
Frame: Nylon-66



					△
					△
Date	Name	Descriptions			NO
Drawing				Model Name	Rocker Switch Panel
		Customer No.	8000203		
8/30/'06		Unit	mm(inch)	