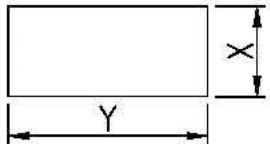
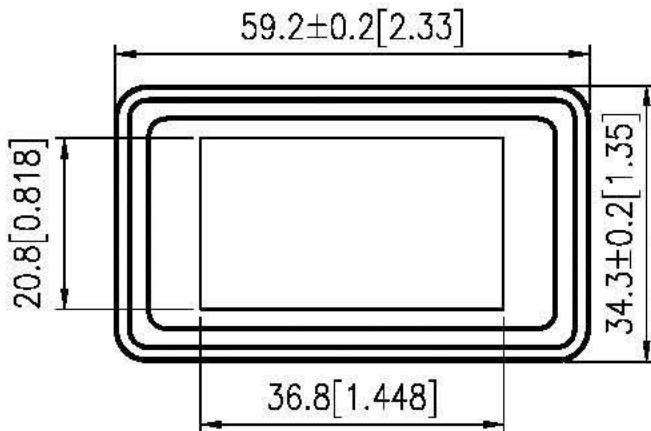
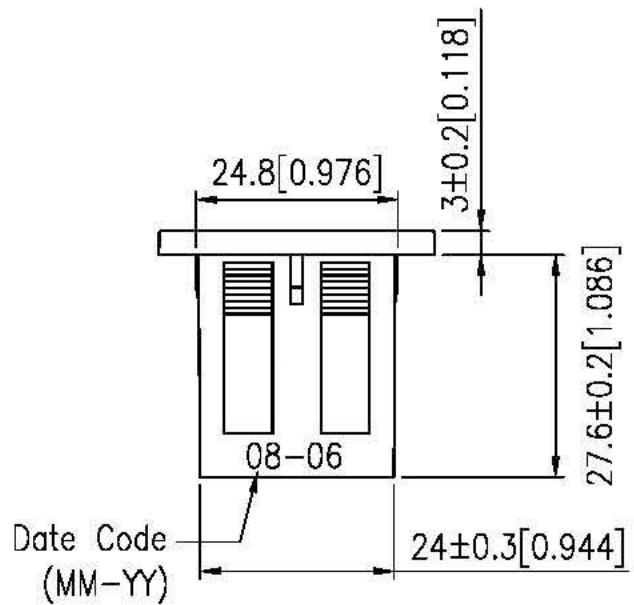
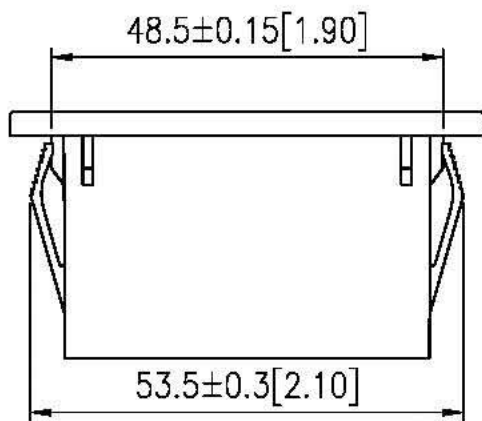


Rating		Mounting Hole		
		Thickness	X	Y
Contact R		2.5~3.0[0.1~0.12]	25+0.2[0.984]	48.8+0.2[1.921]
Insulation R				
Dielectric Strength				
Operation Temperature				
Circuit				



Material:
Frame: Nylon-66



Date	Name	Descriptions	
			△
			△
			NO
Drawing			Model Name
			Rocker Switch Panel
		Customer No.	8000205
8/30/'06		Unit	mm(inch)

