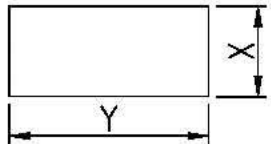
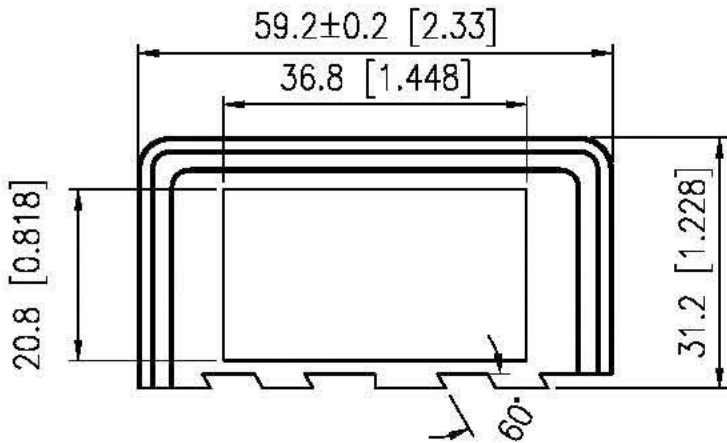
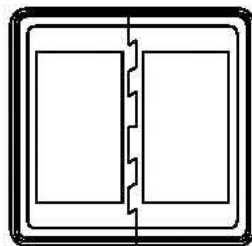
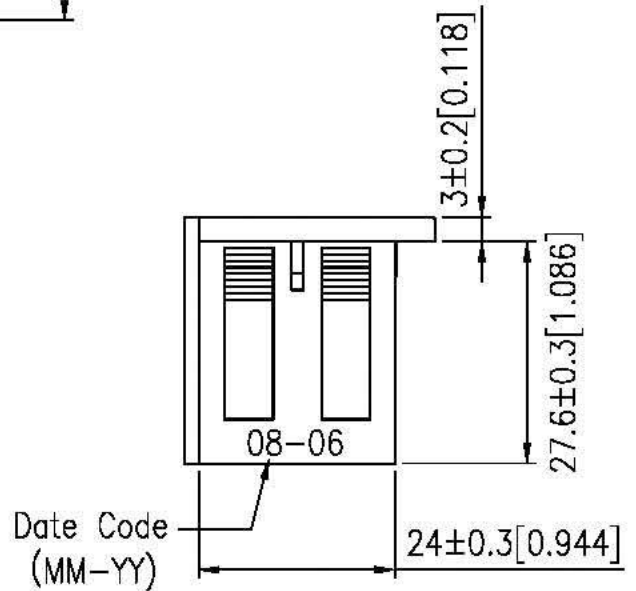
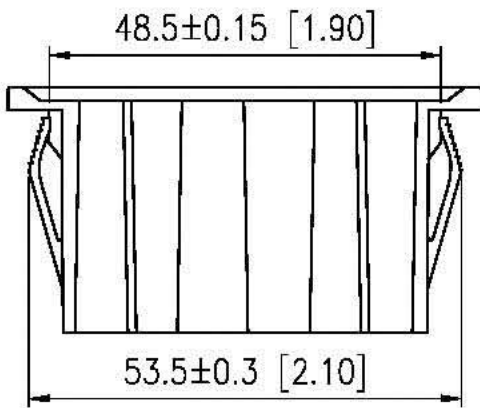


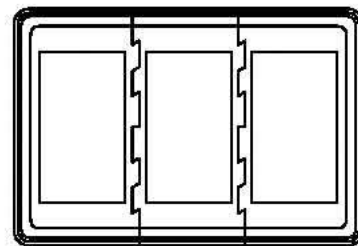
Rating		Mounting Hole		
		Thickness	X	Y
Contact R		2.5~3.0[0.1~0.12]	51+0.2[2.0]	48.8+0.2[1.921]
Insulation R			77.5+0.2[3.051]	
Dielectric Strength				
Operation Temperature				
Circuit				



Material:
Frame: Nylon-66



A:(E2+E2)



B:(E2+E3+E2)

					△
					△
Date	Name	Descriptions			NO
Drawing				Model Name	Rocker Switch Panel
		Customer No.	8000206		
8/30/'06		Unit	mm(inch)	