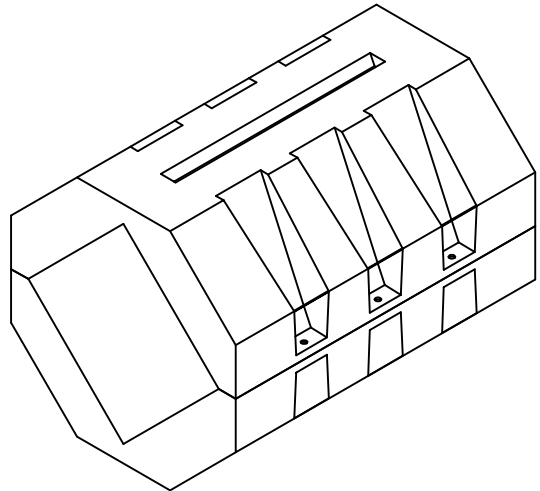
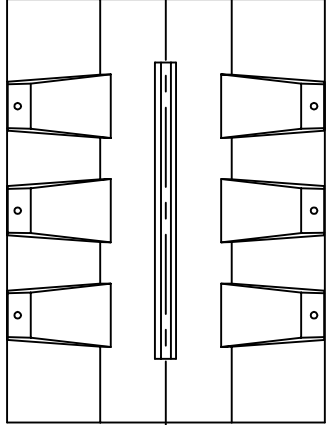


8 7 6 5 4 3 2 1

JOB		REV	DESCRIPTION	DATE	APPROVED

D

D

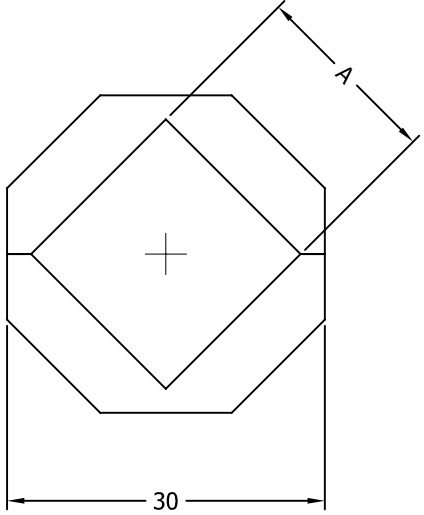


C

C

B

B



MODEL	A
CP-14	14 1/4
CP-16	16 1/4
CP-18	18 1/4

A

A

8 7 6 5 4 3 2 1

DRAWN JHN	DATE 1/22/16	DIVERSIFIED PLASTICS, INC	
	CHECKED	CP SERIES COLUMN PROTECTOR 14" - 18" COLUMN SIZES	
QA		REV	DESCRIPTION
INFO		D	D-3429-6
APPROVED		SCALE 1:7	SHEET