



## Table of Contents

<b>General Information</b> .....	<b>2-7</b>	<b>Cam and Groove Fittings (continued)</b> .....	<b>43-60</b>
Crimp Fittings .....	3	Notched	
Cam and Groove General Information .....	4-7	Ferrules .....	43
<b>Adapters</b> .....	<b>8-12</b>	Couplers .....	44
Type A Vent-Lock™ .....	8	Adapters .....	44
Type A Dixon® / Boss-Lock™ .....	9	Notched NOS	
Type E Vent-Lock™ .....	10	Ferrules .....	45
Type E Dixon® / Boss-Lock™ .....	11	Couplers .....	45
Type F Dixon® / Boss-Lock™ .....	12	Adapters .....	45
<b>Plugs</b> .....	<b>13-14</b>	Tank Car	
<b>Couplers</b> .....	<b>15-29</b>	Adapters .....	46
Type C EZLink™ .....	15	Railroad Connections.....	46-47
Type C Vent-Lock™ .....	16	Elbows	
Type C Vent-Lock™ Safety EZ Boss-Lock™ .....	17	45° .....	48
Type C Dixon® .....	18	90° .....	48
Type C Boss-Lock™ .....	19	Type A, D, E, C, F, B .....	49-50
Type C EZ Boss-Lock™ .....	20	Reducing Couplings	
Type D EZLink™ .....	21	Type A, D, E, C, F, B .....	50-51
Type D Vent-Lock™ .....	22	Coupler x Adapter .....	52
Type D Dixon® .....	23	Boss-Lock™ .....	53
Type D Boss-Lock™ .....	24	EZ Boss-Lock™ .....	53
Type D EZ Boss-Lock™ .....	25	Lockable Dust Caps .....	53
Type B EZLink™ .....	26	Dixon® Spool	
Type B Dixon® .....	27	Adapters .....	54
Type B Boss-Lock™ .....	28	Couplers .....	54
Type B EZ Boss-Lock™ .....	29	Boss-Lock™ Spool Couplers .....	54
<b>Dust Caps</b> .....	<b>30-35</b>	Adapters and Couplers x 150# Flange.....	55
Type DC EZLink™ .....	30	Inline Sight Glass .....	55
Type DC Vent-Lock™ .....	31	Specialty Items .....	56
Type DC Dixon® .....	32	TTMA Flange Adapters.....	56
Type H Vent-Lock™ .....	33	TTMA Flange Extensions .....	57
Type H Boss-Lock™ .....	34	Adapter/Coupler x Round Tank Truck Flange .....	57
Type H EZ Boss-Lock™ .....	35	22½° Adapter/Coupler x Round Tank Truck Flange .....	57
<b>Global Cam and Groove</b> .....	<b>36-40</b>	Round Tank Truck Flange Gaskets .....	57
Adapters		Dixon® Vapor Recovery Couplers.....	58
Type A, E, F.....	36	Dixon® Butt Weld to Tube .....	59
Dust Plugs .....	37	Cam and Groove Welding	
Couplers		Adapters .....	59
Type B, C, D.....	37-38	Couplers .....	60
Dust Caps .....	38	<b>Accessories</b> .....	<b>61-64</b>
Handle Assemblies.....	38	Handle Assemblies.....	61-62
Spool Couplers		Pull Rings .....	63
Type DD, AA.....	39	Clips and Lanyards.....	63-64
Jump Size.....	39	Chains .....	64
Adapter x TTMA Flange .....	40	<b>Gaskets</b> .....	<b>65-67</b>
<b>Polypropylene</b> .....	<b>41-42</b>	Cam and Groove .....	65
Adapters .....	41	Fuel .....	65
Couplers .....	42	PTFE .....	66
Elbows.....	41, 42	Dimensions.....	67
<b>Cam and Groove Fittings</b> .....	<b>43-60</b>	Color Codes .....	67
Swaged .....	43		

## Crimp Fittings

Only use the crimp style shanks with the crimp style sleeves and ferrules. Due to differences in dimensions and tolerances for safety reasons, do not interchange other manufacturer's products with Dixon® products.




---

### Cam and Groove

#### Styles offered:

- Dixon® type C couplers
- EZ Boss-Lock™ type C couplers
- Dixon® type E adapters
- global type C couplers
- global type E adapters

#### Materials:

- 356T6 aluminum
- brass
- 316 stainless steel
- unplated ductile iron

#### Sizes:

- 1", 1¼", 1½", 2", 3", 4", 6"




---

### Sleeves and Ferrules

#### Styles offered:

- sleeve (1", 1¼", 1½", 2", 3", 4", 6")
- ferrule (1", 1¼", 1½", 2", 3", 4", 6")

#### Materials:

- carbon steel
- 304 stainless steel
- aluminum (1", 1¼", 1½" and 2" sleeves)



- For a complete listing of products in the King Crimp™ system please visit [dixonvalve.com](http://dixonvalve.com).
- Contact Dixon® at 800.355.1991 for specific crimp recommendations.

## EZLink™ Armless Cam and Groove



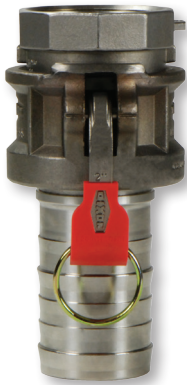
### Features:

- automatic couplers push-to-connect providing a reliable connection
- coupler tabs cannot be pushed to disconnect when pressurized to 20 PSI or over
- low profile allows easy connection and disconnection in tight applications
- coupler push tabs can be locked with safety pins and/or zip tie

### Specifications:

- maximum working pressure with King Crimp™ ferrules: **250 PSI** (2"), **150 PSI** (3" and 4")
- maximum working pressure with crimp sleeves: **110 PSI**
- maximum working pressure with band clamps: **100 PSI**
- gasket temperature range: **5°F to 180°F (-15°C to 82°C)**

## Vent-Lock™ Safety Cam and Groove



### Features:

- safety release cam and groove couplings permit the release of static pressure when disconnecting hose assemblies
- venting system protects operator from being sprayed with hazardous or non-hazardous fluids or solids

### Specifications:

- rated to **250 PSI**, recommendation based on the use of mating Dixon™ L-style fittings at ambient temperature **70°F (21°C)** with standard Buna-N seal installed, for use at elevated temperature or other unusual operating conditions, consult Dixon™
  - 1", 1½" and 2" sizes have a maximum working pressure of **250 PSI**
  - 3" maximum working pressure **150 PSI** with King Crimp™ ferrules, crimp sleeves and bands at **125 PSI**
- does not interchange with standard cam & groove products use only with Vent-Lock™ L-style fittings



## Dixon® Cam and Groove



### Features:

- precision machined to rigid tolerances
- durable stainless steel cam arm pins will not rust or bind, providing greater strength and safety
- recess holds gasket firmly in place - ensures proper placement
- long shank design allows proper banding, thus eliminating the major cause of hose damage

### Specifications:

- Refer to page 6, Specifications on Cam and Groove for pressure ratings.

## Boss-Lock™ Cam and Groove

### Features:

- Cast-in lugs allow safety clips to be attached once the lugs are passed through slots in the special cam lever arms providing a patented safety feature. The clips prevent the coupler from being unlocked until they are removed, providing a positive locking action.
- Boss-Lock™ investment stainless steel cam arms are guaranteed! Should you break a Boss-Lock™ investment stainless steel cam arm, return it to the nearest warehouse for a free replacement.
- The pull ring safety clip simplifies the locking action on Boss-Lock™ couplers. No more inserting clips or dangling lanyards, just a twist and it's locked.

### Specifications:

- Refer to page 6, Specifications on Cam and Groove for pressure ratings.



## EZ Boss-Lock™ Cam and Groove

### Features:

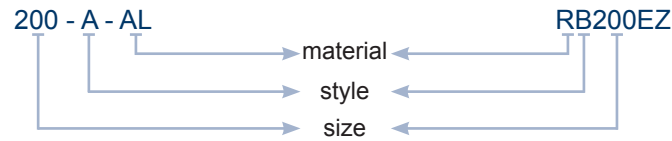
- no more fumbling with clamps, wire, clips or pins, just close the handles and the locking mechanism is engaged
- ergonomic and extremely easy to open, the release lever is under your thumb when you want to open the fitting
- resistant to accidental disconnection when being dragged; the release lever opens in the direction opposite to the cam arm, so movements that can open the release lever also can close the cam arm
- if the rotating lever is not flush with the handle, it is not properly engaged
- no sliding pins to jam or pop open
- rotating action helps keep the locking device free of debris
- EZ Boss-Lock™ investment stainless steel cam arms are guaranteed! Should you break a EZ Boss-Lock™ investment stainless steel cam arm, return it to the nearest warehouse for a free replacement.
- can be supplied with custom shanks, also available with swaged and PF shanks for hard to couple chemical hoses
- small OD makes it easy to insert into the hose tubes on tank trucks and to use in restricted spaces
- assemblies can be retrofitted onto undamaged stainless steel Boss-Lock™ allowing you to protect your investment in stainless steel Boss-Lock™ couplings while you upgrade

### Specifications:

- Refer to page 6, Specifications on Cam and Groove for pressure ratings.



## Ordering System



Size represents the coupler or adapter and hose or pipe end (i.e. 200 = 2"). If the coupling is a reducing size, the coupler or adapter is the first size (i.e. 4030-C is 4" coupler to 3" hose shank).

## Operation of Cam and Groove

1. To make connection, simply slide the adapter into the coupler and with normal hand pressure, press the cam levers down.
2. Uncoupling is as quick and simple as coupling. Just lift the cam arms and remove the adapter.

## Specifications on Dixon® Cam and Groove

### Specifications:

- Dixon®, Boss-Lock™ and EZ Boss-Lock™ cam and groove couplers and adapters are produced to interchange with all product produced to Commercial Item Description A-A-59326D.
- No standard exists for the ½" and 8" fittings, and generally these sizes do not interchange with other manufacturers.
- Dust caps and dust plugs are **not** to be used in pressure applications for safety and environmental reasons.
- *Designed for use with liquids*, consult Dixon® for specific recommendations.

### Pressure Ratings:

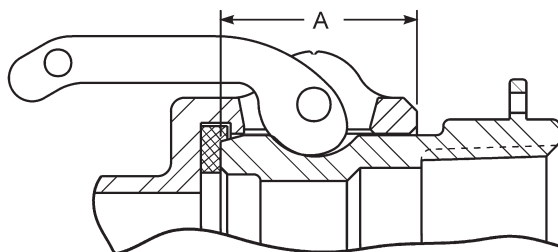


Recommendations based on the use of mating Dixon® fittings at ambient temperature **70°F (21°C)** with standard Buna-N seal installed. For use at elevated temperature or other unusual operating conditions, consult Dixon®. Dixon®, Boss-Lock™ and EZ Boss-Lock™ couplers and adapters maximum working pressure are as follows:

Size	½"	¾" thru 2"	2½"	3"	4"	5" and 6"	8"
PSI	<b>150</b>	<b>250</b>	<b>150</b>	<b>125</b>	<b>100</b>	<b>75</b>	<b>50</b>
PSI <sup>1</sup>	<b>150</b>	<b>250</b>	<b>150</b>	<b>150</b>	<b>150</b>	<b>75</b>	<b>50</b>

<sup>1</sup> working pressure with King Crimp™ ferrule system

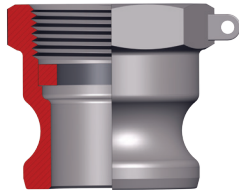
## Cam and Groove Nominal Take-Up Lengths



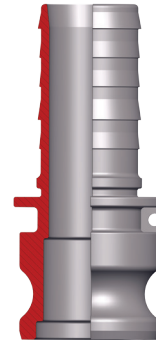
Coupling Size	Dimension A
½"	0.97"
¾"	0.97"
1"	1.20"
1¼"	1.44"
1½"	1.50"
2"	1.81"
2½"	1.82"
3"	1.78"
4"	1.84"
5"	2.00"
6"	2.13"
8"	2.06"
8"	3.22"

## Cam and Groove Configurations

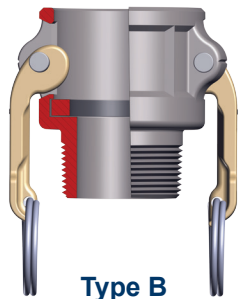
Configurations are representative of the Dixon® line of cam & groove.



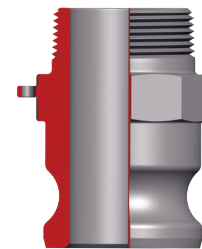
**Type A**  
female NPT x male adapter



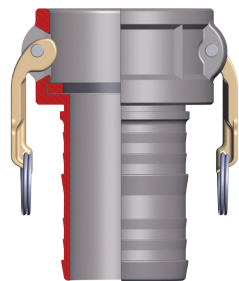
**Type E**  
male adapter x hose shank



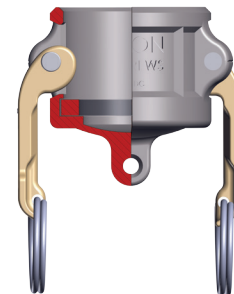
**Type B**  
female coupler x male NPT



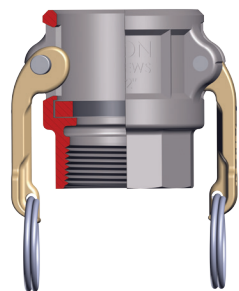
**Type F**  
male NPT x male adapter



**Type C**  
female coupler x hose shank



**Type DC**<sup>1</sup>  
dust cap



**Type D**  
female coupler x female NPT



**Type DP**<sup>1</sup>  
dust plug

<sup>1</sup> Dust caps and dust plugs are **not** to be used in pressure applications for safety and environmental reasons.


Under no circumstances should cam & groove couplings be used for compressed air or steam service!



## Vent-Lock™ Type A Adapters

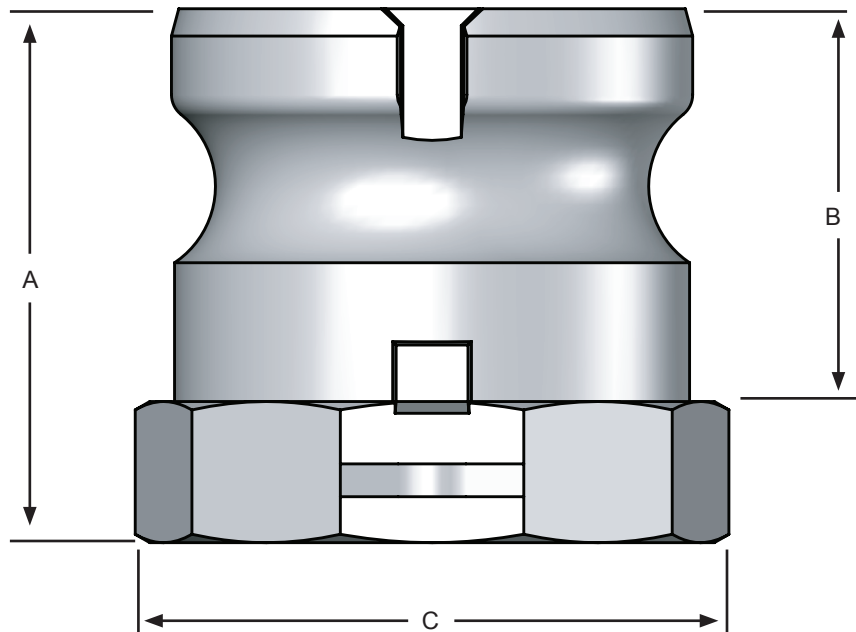
### female NPT x male adapter

#### Features:

- safety release cam & groove couplings permit the release of static pressure when disconnecting hose assemblies
- venting system protects operator from being sprayed with hazardous or non-hazardous fluids or solids
- rated to **250 PSI**, recommendation based on the use of mating Dixon® L-style fittings at ambient temperature **70°F (21°C)** with standard Buna-N seal installed, for use at elevated temperature or other unusual operating conditions, consult Dixon®
  - 1", 1½" and 2" sizes have a maximum working pressure of **250 PSI**
  - 3" maximum working pressure **150 PSI** with King Crimp™ ferrules, crimp sleeves and bands at **125 PSI**
- does not interchange with standard cam & groove products use only with Vent-Lock™ L-style fittings 



Size	316 Stainless Steel Part #
1"	<b>L100-A-SS</b>
1½"	<b>L150-A-SS</b>
2"	<b>L200-A-SS</b>
3"	<b>L300-A-SS</b>



**316 stainless steel dimensions**

Size	1"	1½"	2"	3"
A overall length	1-29/32	2-9/32	2-17/32	2-29/32
B adapter length	1-5/16	1⅞	1⅞	2
C distance across flats	1½	2-9/32	2-11/16	3¼



## Dixon® Type A Adapters

male adapter x female NPT

**Feature:**

- Pressure rating is based on the seal of the mating part. See ratings on page 6.



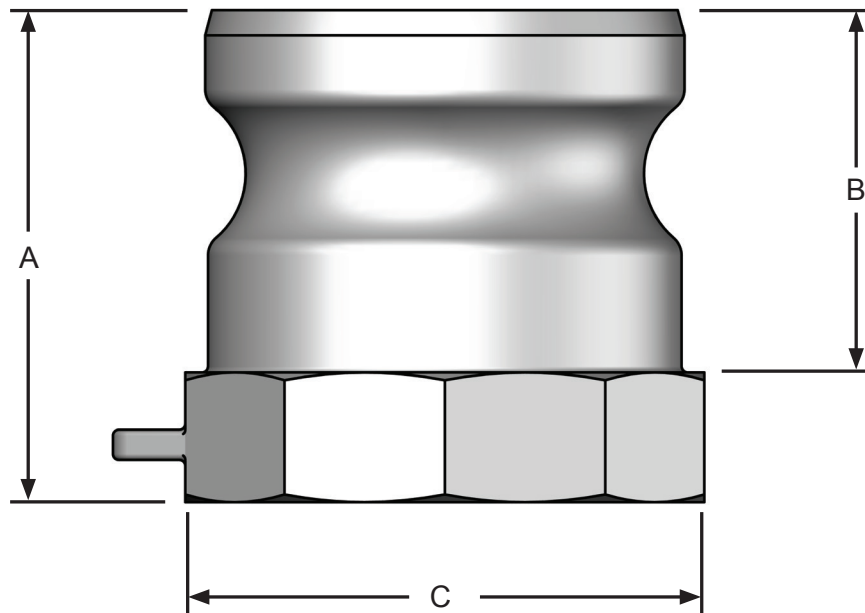
Size	356T6 Aluminum Part #	Aluminum Hard Coat Part #	Brass Part #	Unplated Mall. Iron Part #	Plated Mall. Iron Part #	316 Stain. Steel Part #
½"	50-A-AL <sup>2</sup>	---	50-A-BR	---	---	50-A-SS
¾" x ½"	7550-A-AL <sup>2</sup>	---	7550-A-BR	---	---	7550-A-SS
¾"	75-A-AL <sup>2</sup>	---	75-A-BR	---	75-A-PM	75-A-SS
1"	100-A-AL <sup>2</sup>	---	100-A-BR	---	100-A-PM	100-A-SS
1¼"	125-A-AL	---	125-A-BR	---	---	125-A-SS
1½"	150-A-AL	150-A-ALH	150-A-BR	150-A-MI	150-A-PM	150-A-SS
2"	200-A-AL	200-A-ALH	200-A-BR	200-A-MI	200-A-PM	200-A-SS
2½"	250-A-AL	---	250-A-BR	---	---	250-A-SS
3"	300-A-AL	300-A-ALH	300-A-BR	300-A-MI	300-A-PM	300-A-SS
4"	400-A-AL	400-A-ALH	400-A-BR	400-A-MI	400-A-PM	400-A-SS
5"	500-A-AL	---	500-A-BR	500-A-MI	---	500-A-SS
6"	600-A-AL	600-A-ALH	600-A-BR	---	600-A-PM <sup>3</sup>	600-A-SS
8" DIX	800-A-AL <sup>1</sup>	---	---	---	---	---
8" BL	801-A-AL <sup>1</sup>	---	---	---	---	---



<sup>1</sup> Dixon and Boss-Lock cam and groove couplings do not interchange in the 8" and ½" sizes.

<sup>2</sup> made from 6061-T6 aluminum

<sup>3</sup> ductile iron



### 356T6 aluminum, brass and iron dimensions

Size	½"	¾" x ½"	¾"	1"	1¼"	1½"	2"	2½"	3"	4"	5"	6"	8" DIX	8" BL
A overall length	1-11/16	1-21/32	1⅝	1-31/32	2-7/32	2-3/16	2⅞	2-11/16	2¼	3⅝	3-17/32	3-7/16	4-13/16	4-7/16
B adapter length	1-1/16	1-1/16	1-1/16	1⅞	1-9/16	1⅝	1⅞	1-15/16	2	2-1/16	2-5/16	2¼	3-9/16	2¼
C distance across flats	1	1⅝	1⅞	1½	2	2-9/32	2¼	3-7/32	3⅞	5	5-15/16	7-11/16	10⅝	10⅝

### 316 stainless steel dimensions


Size	½"	¾" x ½"	¾"	1"	1¼"	1½"	2"	2½"	3"	4"	5"	6"	8" DIX	8" BL
A overall length	1-11/16	1-17/32	1½	1-31/32	2⅞	2-3/16	2-19/32	3-11/32	2-29/32	3-5/32	3¼	3¼	---	---
B adapter length	1-1/16	1-1/16	1	1-5/16	1-9/16	1⅝	1⅞	1-15/16	2	2-1/16	2-5/16	2¼	---	---
C distance across flats	1	1-5/16	1-5/16	1½	1-15/16	2-9/32	2-11/16	3⅞	3¼	5	6-17/32	7¼	---	---

## Vent-Lock™ Type E Adapters

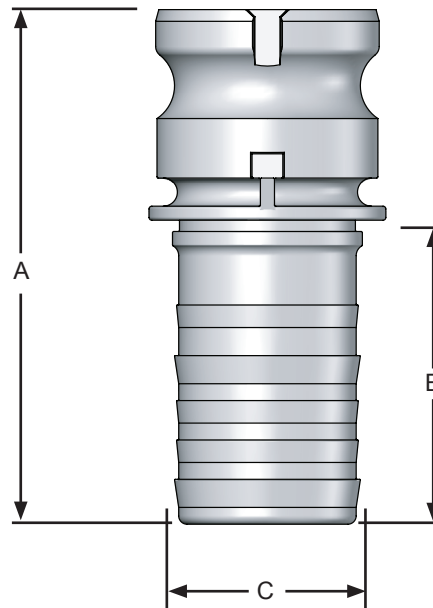
male adapter x hose shank



### Features:

- safety release cam & groove couplings permit the release of static pressure when disconnecting hose assemblies
- venting system protects operator from being sprayed with hazardous or non-hazardous fluids or solids
- rated to **250 PSI**, recommendation based on the use of mating Dixon® L-style fittings at ambient temperature **70°F (21°C)** with standard Buna-N seal installed, for use at elevated temperature or other unusual operating conditions, consult Dixon®
  - 1", 1½" and 2" sizes have a maximum working pressure of **250 PSI**
  - 3" maximum working pressure **150 PSI** with King Crimp™ ferrules, crimp sleeves and bands at **125 PSI**
- does not interchange with standard cam & groove products use only with Vent-Lock™ 

Size	316 Stainless Steel Part #
1"	<b>L100-E-SS</b>
1½"	<b>L150-E-SS</b>
2"	<b>L200-E-SS</b>
3"	<b>L300-E-SS</b>




### 316 stainless steel dimensions

Size	1"	1½"	2"	3"
A overall length	4-11/16	4-31/32	5-23/32	6¼
B hose shank length	2-15/16	2-29/32	3¾	4-3/16
C hose shank OD	1-1/16	1-9/16	2-1/16	3-3/32

## Dixon® Type E Adapters


### male adapter x hose barb

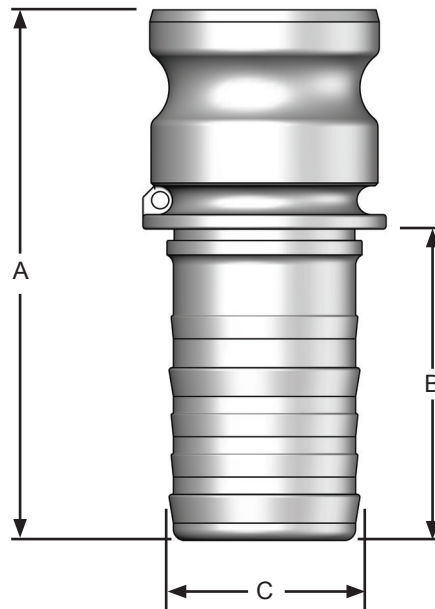
**Feature:**

- Pressure rating is based on the seal of the mating part. See ratings on page 6. 

Size	356T6 Aluminum Part #	Aluminum Hard Coat Part #	Brass Part #	Unplated Mall. Iron Part #	Plated Mall. Iron Part #	316 Stain. Steel Part #
½"	<b>50-E-AL</b>	---	<b>50-E-BR</b>	---	---	<b>50-E-SS</b>
¾" x ½"	<b>7550-E-AL</b>	---	---	---	---	<b>7550-E-SS</b>
¾"	<b>75-E-AL</b>	---	<b>75-E-BR</b>	---	<b>75-E-PM</b>	<b>75-E-SS</b>
1"	<b>100-E-AL</b>	---	<b>100-E-BR</b>	---	<b>100-E-PM</b>	<b>100-E-SS</b>
1¼"	<b>125-E-AL</b>	---	<b>125-E-BR</b>	---	<b>125-E-PM</b>	<b>125-E-SS</b>
1½"	<b>150-E-AL</b>	<b>150-E-ALH</b>	<b>150-E-BR</b>	<b>150-E-MI</b>	<b>150-E-PM</b>	<b>150-E-SS</b>
2"	<b>200-E-AL</b>	<b>200-E-ALH</b>	<b>200-E-BR</b>	<b>200-E-MI</b> <sup>2</sup>	<b>200-E-PM</b>	<b>200-E-SS</b>
2½"	<b>250-E-AL</b>	---	<b>250-E-BR</b>	---	---	<b>250-E-SS</b>
3"	<b>300-E-AL</b>	<b>300-E-ALH</b>	<b>300-E-BR</b>	<b>300-E-MI</b> <sup>2,3</sup>	<b>300-E-PM</b> <sup>2</sup>	<b>300-E-SS</b>
4"	<b>400-E-AL</b>	<b>400-E-ALH</b>	<b>400-E-BR</b>	<b>400-E-MI</b> <sup>2,3</sup>	<b>400-E-PM</b> <sup>2,3</sup>	<b>400-E-SS</b>
5"	<b>500-E-AL</b>	---	---	---	---	<b>500-E-SS</b>
6"	<b>600-E-AL</b>	<b>600-E-ALH</b>	<b>600-E-BR</b>	<b>600-E-MI</b> <sup>2,3</sup>	<b>600-E-PM</b> <sup>2</sup>	<b>600-E-SS</b>
8" DIX	<b>800-E-AL</b> <sup>1</sup>	---	---	---	---	---
8" BL	<b>801-E-AL</b> <sup>1</sup>	---	---	---	---	---



- <sup>1</sup> Dixon® and Boss-Lock™ cam & groove couplings do not interchange in the 8" and ½ sizes 
- <sup>2</sup> suitable for King Crimp™ sleeves and ferrules
- <sup>3</sup> ductile iron



**356T6 aluminum, brass and iron dimensions**

Size	½"	¾" x ½"	¾"	1"	1¼"	1½"	2"	2½"	3"	4"	5"	6"	8" DIX	8" BL
A overall length	2½	2¾	3-15/16	4⅝	4⅞	5-1/16	6-1/32	6¼	6-25/32	7-3/16	7-5/32	9-5/32	11-13/16	11-7/16
B hose shank length	1-7/16	1-5/16	2⅝	2-15/16	2-13/16	2-29/32	3⅝	3¾	4-7/32	4¼	4¼	6-1/32	8	8
C hose shank OD	9/16	19/32	27/32	1-1/16	1-11/32	1-9/16	2-1/16	2-19/32	3-3/32	4-3/32	5-3/32	6-1/16	8-1/16	8-3/32

**316 stainless steel dimensions**

Size	½"	¾" x ½"	¾"	1"	1¼"	1½"	2"	2½"	3"	4"	5"	6"	8" DIX	8" BL
A overall length	2-7/16	2-25/32	3-13/32	4-11/16	4⅞	4-31/32	5¼	6¼	6⅞	7-3/32	7-5/32	9-7/16	---	---
B hose shank length	1-7/16	1-5/16	2⅝	2-15/16	2⅞	2-29/32	3⅝	3¾	4-3/16	4¼	4¼	6-3/32	---	---
C hose shank OD	9/16	19/32	27/32	1-1/16	1-11/32	1-9/16	2-1/16	2⅝	3-3/32	4-3/32	5-3/32	6-1/16	---	---

## Dixon® Type F Adapters

male adapter x male NPT



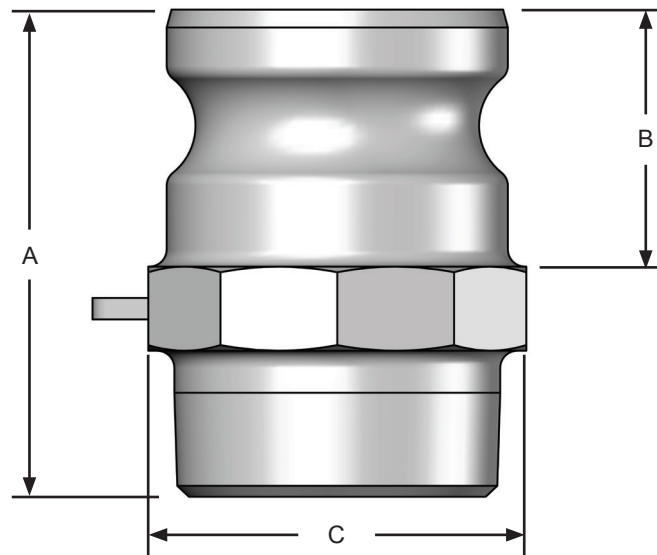
• Pressure rating is based on the seal of the mating part. See ratings on page 6.



Size	356T6 Aluminum Part #	Aluminum Hard Coat Part #	Brass Part #	Unplated Mall. Iron Part #	Plated Mall. Iron Part #	316 Stain. Steel Part #
½"	<b>50-F-AL</b>	---	<b>50-F-BR</b>	---	---	<b>50-F-SS</b>
¾" x ½"	<b>7550-F-AL</b>	---	<b>7550-F-BR</b>	---	---	<b>7550-F-SS</b>
¾"	<b>75-F-AL</b>	---	<b>75-F-BR</b>	---	<b>75-F-PM</b>	<b>75-F-SS</b>
1"	<b>100-F-AL</b>	---	<b>100-F-BR</b>	---	<b>100-F-PM</b>	<b>100-F-SS</b>
1¼"	<b>125-F-AL</b>	---	<b>125-F-BR</b>	---	---	<b>125-F-SS</b>
1½"	<b>150-F-AL</b>	<b>150-F-ALH</b>	<b>150-F-BR</b>	<b>150-F-MI</b>	<b>150-F-PM</b>	<b>150-F-SS</b>
2"	<b>200-F-AL</b>	<b>200-F-ALH</b>	<b>200-F-BR</b>	<b>200-F-MI</b>	<b>200-F-PM</b>	<b>200-F-SS</b>
2½"	<b>250-F-AL</b>	---	<b>250-F-BR</b>	---	---	<b>250-F-SS</b>
3"	<b>300-F-AL</b>	<b>300-F-ALH</b>	<b>300-F-BR</b>	<b>300-F-MI</b>	<b>300-F-PM</b>	<b>300-F-SS</b>
4"	<b>400-F-AL</b>	<b>400-F-ALH</b>	<b>400-F-BR</b>	<b>400-F-MI</b>	<b>400-F-PM</b>	<b>400-F-SS</b>
5"	<b>500-F-AL</b>	---	---	---	<b>600-F-PM</b>	<b>600-F-SS</b>
6"	<b>600-F-AL</b>	<b>600-F-ALH</b>	<b>600-F-BR</b>	---	---	---
8" DIX	<b>800-F-AL</b> <sup>1</sup>	---	---	---	---	---
8" BL	<b>801-F-AL</b> <sup>1</sup>	---	---	---	---	---



<sup>1</sup> Dixon® and Boss-Lock™ cam and groove couplings do not interchange in the 8" and ½" sizes.



**356T6 aluminum, brass and iron dimensions**


Size	½"	¾"x½"	¾"	1"	1¼"	1½"	2"	2½"	3"	4"	5"	6"	8" DIX	8" BL
A overall length	2½	2½	2½	2-15/16	2-15/16	3-5/32	3-17/32	4⅝	4⅝	4-23/32	4½	5-17/32	6⅞	6⅞
B adapter length	1-1/16	1-1/16	1-1/16	1-5/16	1-9/16	1⅞	1⅞	1-15/16	2	2-1/16	2-5/16	2¼	3-9/16	3-1/16
C distance across flats	1	1-5/16	1⅞	1½	1⅞	2¼	2-11/16	3¼	3¼	4-15/16	6½	8-1/32	10-23/32	10-23/32

**316 stainless steel dimensions**

Size	½"	¾"x½"	¾"	1"	1¼"	1½"	2"	2½"	3"	4"	5"	6"	8" DIX	8" BL
A overall length	2½	2-1/16	2⅞	2-9/16	3-7/32	3⅞	3-17/32	4-5/16	4-15/32	4-15/16	---	4-15/16	---	---
B adapter length	1-1/16	1-1/16	1-1/16	1-5/16	1-9/16	1⅞	1⅞	1-15/16	2	2-1/16	---	2¼	---	---
C distance across flats	1	1-5/16	1-5/16	1½	1-15/16	2¼	2¼	3¼	3¼	5	---	7¼	---	---

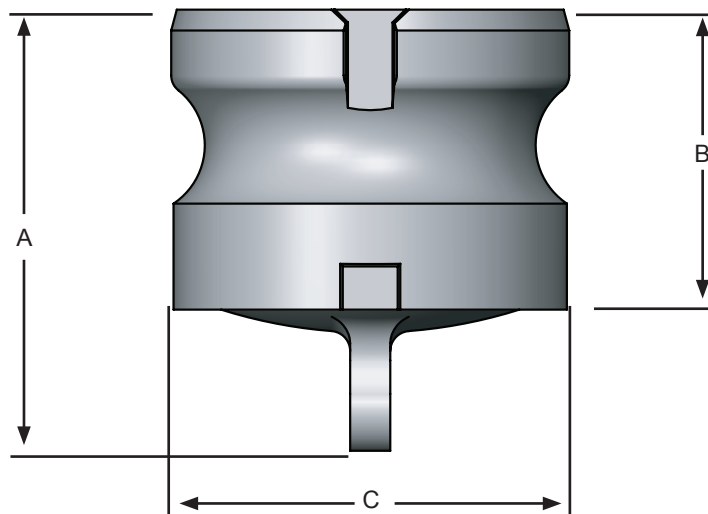
## Vent-Lock™ Safety Type DP Dust Plugs

### Features:

- safety release cam & groove couplings permit the release of static pressure when disconnecting hose assemblies
- venting system protects operator from being sprayed with hazardous or non-hazardous fluids or solids
- rated to **250 PSI**, recommendation based on the use of mating Dixon® L-style fittings at ambient temperature **70°F (21°C)** with standard Buna-N seal installed, for use at elevated temperature or other unusual operating conditions, consult Dixon®
  - 1", 1½" and 2" sizes have a maximum working pressure of **250 PSI**
  - 3" maximum working pressure **150 PSI** with King Crimp™ ferrules, crimp sleeves and bands at **125 PSI**
- does not interchange with standard cam & groove products use only with Vent-Lock™  L-style fittings



Size	316 Stainless Steel Part #
1"	<b>L100-DP-SS</b>
1½"	<b>L150-DP-SS</b>
2"	<b>L200-DP-SS</b>
3"	<b>L300-DP-SS</b>



### 316 stainless steel dimensions

	Size	1"	1½"	2"	3"
A	overall length	1-15/16	2½	2¾	2⅞
B	adapter length	1-5/16	1⅞	1⅞	2
C	outside OD	1-7/16	2-3/32	2-15/32	3-19/32

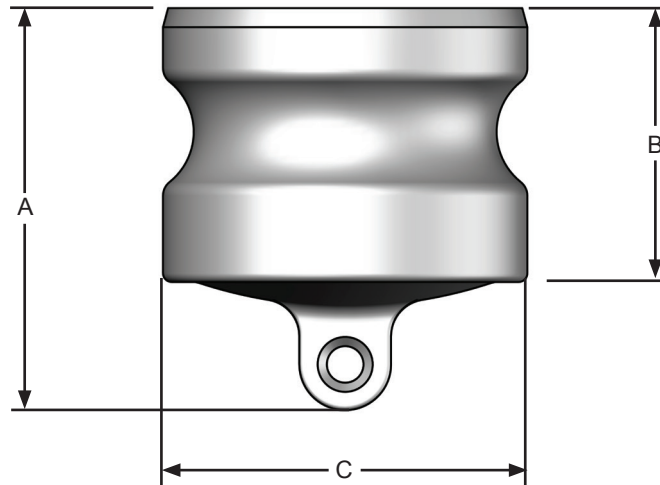
## Dixon® Type DP Plugs



Size	356T6 Aluminum Part #	Aluminum Hard Coat Part #	Brass Part #	Unplated Mall. Iron Part #	Plated Mall. Iron Part #	316 Stain. Steel Part #
½"	---	---	50-DP-BR	---	---	50-DP-SS
¾"	75-DP-AL	---	75-DP-BR	---	---	75-DP-SS
1"	100-DP-AL	---	100-DP-BR	---	100-DP-PM	100-DP-SS
1¼"	125-DP-AL	---	125-DP-BR	---	125-DP-PM	125-DP-SS
1½"	150-DP-AL	150-DP-ALH	150-DP-BR	150-DP-MI	150-DP-PM	150-DP-SS
2"	200-DP-AL	200-DP-ALH	200-DP-BR	200-DP-MI	200-DP-PM	200-DP-SS
2½"	250-DP-AL	---	---	---	250-DP-PM	250-DP-SS
3"	300-DP-AL	300-DP-ALH	300-DP-BR	300-DP-MI	300-DP-PM	300-DP-SS
4"	400-DP-AL	400-DP-ALH	400-DP-BR	400-DP-MI	400-DP-PM	400-DP-SS
5"	500-DP-AL	---	---	---	---	---
6"	600-DP-AL	600-DP-ALH	600-DP-BR	---	---	600-DP-SS
8" DIX	800-DP-AL <sup>1</sup>	---	---	---	---	---
8" BL	801-DP-AL <sup>1</sup>	---	---	---	---	---

<sup>1</sup> Dixon® and Boss-Lock™ cam and groove couplings *do not interchange in the 8" and ½" sizes.*

*Dust caps and dust plugs are not to be used in pressure applications for safety and environmental reasons.*



### 356T6 aluminum, brass and iron dimensions

Size	½"	¾"	1"	1¼"	1½"	2"	2½"	3"	4"	5"	6"	8" DIX	8" BL
A overall length	1-7/16	1¾	1-29/32	2¾	2-13/32	2-13/16	2-13/16	2-13/16	3-1/16	3¾	3-1/16	5-3/16	4-11/16
B adapter length	15/16	1-3/32	1-5/16	1-9/16	1¾	1¾	1-15/16	2	2-1/16	2-11/32	2¼	3-9/16	3-1/16
C outside OD	15/16	1¼	1-7/16	1-25/32	2-3/32	2-15/32	2-31/32	3-19/32	4-23/32	5-23/32	6-15/16	9-3/32	8-15/16

### 316 stainless steel dimensions

Size	½"	¾"	1"	1¼"	1½"	2"	2½"	3"	4"	5"	6"	8" DIX	8" BL
A overall length	1-7/16	1-11/16	1-15/16	2¼	2½	2¾	2-7/8	2-27/32	3⅜	---	3½	---	---
B adapter length	15/16	15/16	1-15/16	1-9/16	1¾	1¾	1-15/16	2	2-1/16	---	2¼	---	---
C outside OD	15/16	1¼	1-7/16	1-25/32	2-3/32	2-15/32	2-31/32	3-19/32	4-23/32	---	6-15/16	---	---

## EZLink™ Armless Type C Couplers

### Applications:

- transfer and/or unloading of fuels (gasoline or diesel) from tank truck to storage tanks
- transfer of water and solutions compatible with aluminum and Buna-N rubber

### Materials:

- couplings and dust caps: A356 aluminum
- coupler tabs and springs: 316 stainless steel
- gasket: Buna-N

### Features:

- automatic couplers push-to-connect providing a reliable connection
- low profile allows easy connection and disconnection in tight applications
- coupler push tabs can be locked with safety pins and/or zip tie
- compatible with standard cam and groove adapters

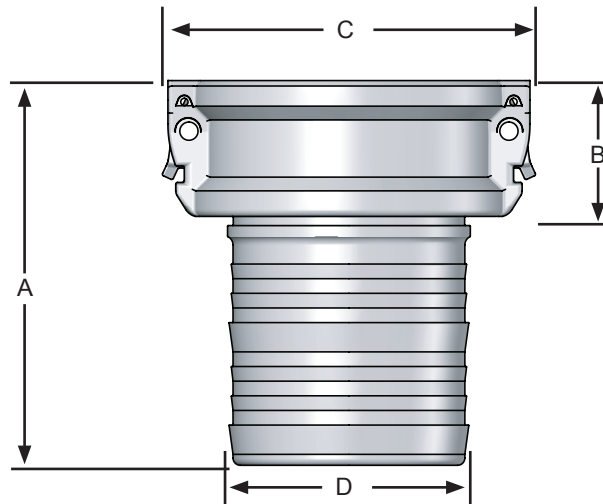
### Specifications:

- maximum working pressure with King Crimp™ ferrules: **250 PSI** (2"), **150 PSI** (3" and 4")
- maximum working pressure with crimp sleeves: **110 PSI**
- maximum working pressure with band clamps: **100 PSI**
- gasket temperature range: **5°F to 180°F (-15°C to 82°C)**

Only use EZLink™ gaskets for this coupling system. Traditional cam & groove gaskets, or other types of seals are not compatible and will fail.



Size	A356 Aluminum	316 Stainless Steel
	Part #	Part #
2"	<b>EZL200-C-AL</b>	<b>EZL200-C-SS</b>
3"	<b>EZL300-C-AL</b>	<b>EZL300-C-SS</b>
4"	<b>EZL400-C-AL</b>	---



**A356 aluminum dimensions**

Size		2"	3"	4"
A	overall length	5-9/16	6½	6-9/16
B	coupler length	2-3/16	2-5/16	2-5/16
C	distance across EARS	3-21/32	5-3/32	6-3/16
D	hose shank OD	2-1/16	3-3/32	4-3/32

**316 stainless steel dimensions**


Size		2"
A	overall length	5-9/16
B	coupler length	2-3/16
C	distance across EARS	3-21/32
D	hose shank OD	2-1/16

## Vent-Lock™ Type C Couplers

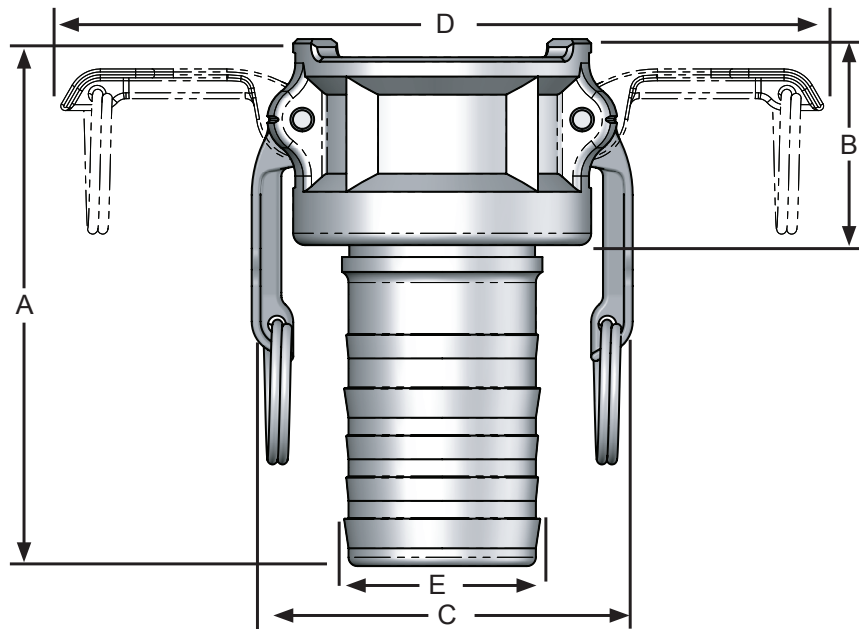
female coupler x hose shank



### Features:

- safety release cam & groove couplings permit the release of static pressure when disconnecting hose assemblies
- venting system protects operator from being sprayed with hazardous or non-hazardous fluids or solids
- rated to **250 PSI**, recommendation based on the use of mating Dixon® L-style fittings at ambient temperature **70°F (21°C)** with standard Buna-N seal installed, for use at elevated temperature or other unusual operating conditions, consult Dixon®
  - 1", 1½" and 2" sizes have a maximum working pressure of **250 PSI**
  - 3" maximum working pressure **150 PSI** with King Crimp™ ferrules, crimp sleeves and bands at **125 PSI**
- does not interchange with standard cam & groove products use only with Vent-Lock™ 

Size	316 Stainless Steel Part #
1"	<b>L100-C-SS</b>
1½"	<b>L150-C-SS</b>
2"	<b>L200-C-SS</b>



### 316 stainless steel dimensions


Size	1"	1½"	2"
A overall length	4-17/32	4-13/16	5-17/32
B coupler length	1-19/32	1-29/32	2-5/32
C distance across closed cam arms	2-7/16	3-9/16	3-15/16
D distance across open cam arms	5-3/16	7-7/16	7-13/16
E hose shank OD	1-1/16	1-9/16	2-1/16



## Vent-Lock™ Safety EZ Boss-Lock™ Type C Couplers

female coupler x hose shank

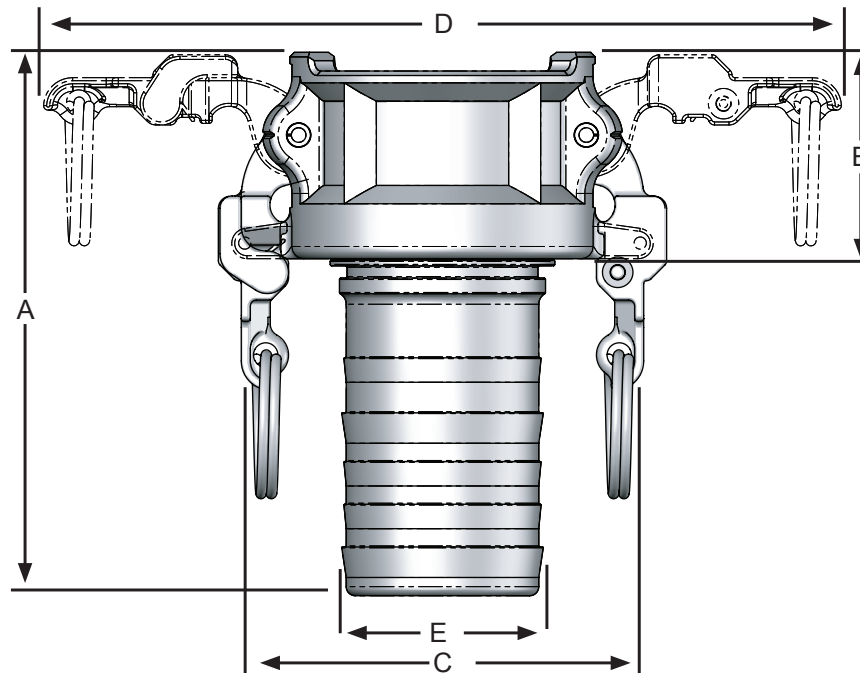
### Features:

- safety release cam & groove couplings permit the release of static pressure when disconnecting hose assemblies
- venting system protects operator from being sprayed with hazardous or non-hazardous fluids or solids
- rated to **250 PSI**, recommendation based on the use of mating Dixon® L-style fittings at ambient temperature **70°F (21°C)** with standard Buna-N seal installed, for use at elevated temperature or other unusual operating conditions, consult Dixon®
  - 1", 1½" and 2" sizes have a maximum working pressure of **250 PSI**
  - 3" maximum working pressure **150 PSI** with King Crimp™ ferrules, crimp sleeves and bands at **125 PSI**
- does not interchange with standard cam & groove products use only with Vent-Lock™  L-style fittings



Size	316 Stainless Steel Part #
1"	<b>RLC100EZ</b>
1½"	<b>RLC150EZ</b>
2"	<b>RLC200EZ<sup>1</sup></b>
3"	<b>RLC300EZ<sup>1</sup></b>

<sup>1</sup> has drop shank



**316 stainless steel dimensions**

Size	1"	1½"	2"	3"
A overall length	4-15/32	5	5-9/16	6-9/16
B coupler length	1-17/32	2-3/32	2½	2¼
C distance across closed cam arms	3-7/32	4-7/32	4-19/32	5-27/32
D distance across open cam arms	6-11/32	7-25/32	8-5/32	9-29/32
E hose shank OD	1-1/16	1-9/16	2-1/16	3-3/32

## Dixon® Type C Couplers

female coupler x hose shank

**Features:**

- Finger rings are not supplied on 1/2" - 1" Dixon® couplings.
- 1/2" Dixon® coupler has only one cam arm.
- Couplers are supplied standard with a Buna-N gasket, other types available on pages 65-67.



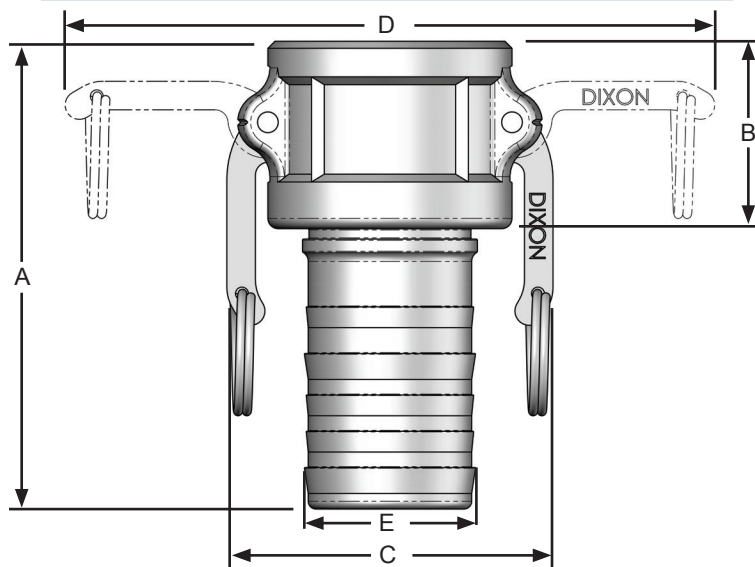
Size	356T6 Aluminum Part #	Aluminum Hard Coat Part #	Brass Part #	Unplated Malleable Iron Part #	316 Stainless Steel Part #
1/2"	50-C-AL	---	50-C-BR	---	50-C-SS
3/4"	75-C-AL	---	75-C-BR	---	75-C-SS
1"	100-C-AL	---	100-C-BR	---	100-C-SS
1 1/4"	125-C-AL	---	125-C-BR	---	125-C-SS
1 1/2"	150-C-AL	150-C-ALH	150-C-BR	150-C-MI	150-C-SS
2"	200-C-AL	200-C-ALH	200-C-BR	200-C-MI <sup>2</sup>	200-C-SS
2 1/2"	250-C-AL	---	250-C-BR	---	250-C-SS
3"	300-C-AL	300-C-ALH	300-C-BR	300-C-MI <sup>2,3</sup>	300-C-SS
4"	400-C-AL	400-C-ALH	400-C-BR	400-C-MI <sup>2,3</sup>	400-C-SS
5"	500-C-AL	---	---	---	500-C-SS
6"	600-C-AL	600-C-ALH	600-C-BR	600-C-MI <sup>2,3</sup>	600-C-SS
8"	800-C-AL <sup>1</sup>	---	---	---	---



<sup>1</sup> Dixon® and Boss-Lock™ cam & groove couplings do not interchange in the 8" and 1/2" sizes. The 8" Dixon® design has 4 cam arms, Boss-Lock™ design has 2 cam arms.

<sup>2</sup> suitable for use with King Crimp™ sleeves and ferrules

<sup>3</sup> ductile iron



356T6 aluminum, brass and iron dimensions

Size	1/2"	3/4"	1"	1 1/4"	1 1/2"	2"	2 1/2"	3"	4"	5"	6"	8" BL
A overall length	2-21/32	3 3/4	4 1/2	4 3/4	4 7/8	5-19/32	6	6-17/32	6-9/16	6-9/16	8-23/32	11-13/16
B coupler length	1-7/32	1 1/4	1-9/16	1-15/16	1-31/32	2-7/32	2 1/4	2-5/16	2-5/16	2-5/16	2-11/16	3-13/16
C distance across closed cam arms	1-17/32	2 1/8	2-7/16	3 1/4	3-9/16	3-15/16	4-7/16	5-15/32	6-9/16	7-9/16	10-3/32	12-1/32
D distance across open cam arms	2-11/16	4 3/8	5-3/16	7-5/32	7-7/16	7-13/16	8-11/32	10-3/32	11-3/16	12-3/16	16 1/4	19-31/32
E hose shank OD	19/32	27/32	1-1/16	1-11/32	1-9/16	2-1/16	2 5/8	3-3/32	4-3/32	5-3/32	6-1/16	8-3/32

316 stainless steel dimensions

Size	1/2"	3/4"	1"	1 1/4"	1 1/2"	2"	2 1/2"	3"	4"	5"	6"	8"
A overall length	3-7/32	3-11/16	4 1/2	4 5/8	4-13/16	5-19/32	6-1/16	6-7/16	6-17/32	7 3/8	8-11/16	---
B coupler length	1-7/32	1 1/4	1-9/16	1-29/32	1-29/32	2-7/32	2 1/4	2 1/4	2-9/32	2-7/16	2-19/32	---
C distance across closed cam arms	1-17/32	2 1/8	2-7/16	3 1/4	3-9/16	3-15/16	4-7/16	5-15/32	6-9/16	7-9/16	10-3/32	---
D distance across open cam arms	2 5/8	4 3/8	5-3/16	7-5/32	7-7/16	7-13/16	8-11/32	9-15/16	11-1/32	12-3/16	16 1/4	---
E hose shank OD	19/32	27/32	1-1/16	1-11/32	1-9/16	2-1/16	2 5/8	3-3/32	4-3/32	5-3/32	6-1/16	---

## Boss-Lock™ Type C Couplers

female coupler x hose shank

### Features:

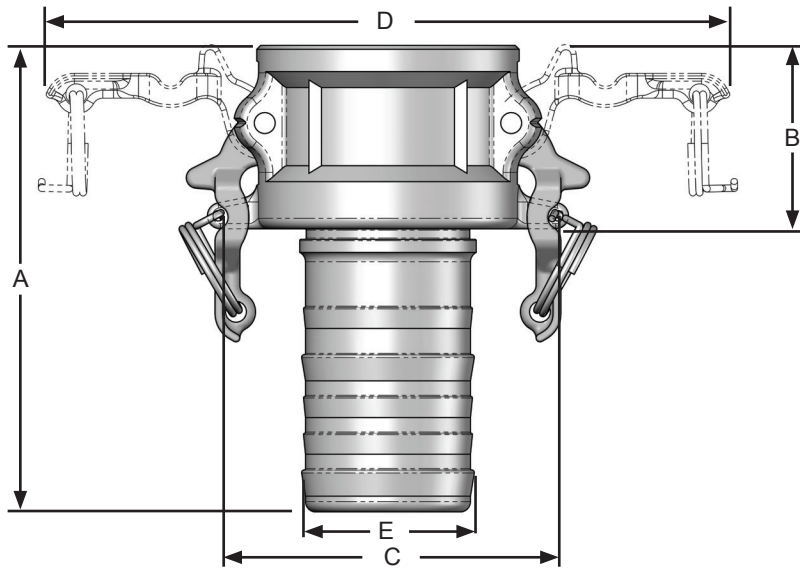
- All Boss-Lock™ couplers are supplied with safety clips.
- Couplers are supplied standard with a Buna-N gasket. Other gasket types are available on pages 65-67.

Size	356T6 Aluminum Part #	Brass Part #	Plated Malleable Iron Part #	316 Stainless Steel Part #
3/4" x 1/2"	---	---	---	<b>RC050BL</b>
3/4"	<b>AC075</b>	<b>BC075</b>	<b>IC075</b>	<b>RC075BL</b>
1"	<b>AC100</b>	<b>BC100</b>	<b>IC100</b>	<b>RC100BL</b>
1 1/4"	<b>AC125</b>	<b>BC125</b>	---	<b>RC125BL</b>
1 1/2"	<b>AC150</b>	<b>BC150</b>	<b>IC150</b>	<b>RC150BLNO</b>
2"	<b>AC200</b>	<b>BC200</b>	<b>IC200</b>	<b>RC200BLNO</b>
2 1/2"	<b>AC250</b>	<b>BC250</b>	---	---
3"	<b>AC300</b>	<b>BC300</b>	<b>IC300</b>	<b>RC300BL</b>
4"	<b>AC400</b>	<b>BC400</b>	<b>IC400</b> <sup>2</sup>	<b>RC400BLNO</b>
6"	<b>AC600</b>	<b>BC600</b>	<b>IC600</b> <sup>2</sup>	---
8"	<b>AC800</b> <sup>1</sup>	---	---	---



<sup>1</sup> Dixon® and Boss-Lock™ cam and groove couplings *do not interchange in the 8" and 1/2"* sizes. The 8" Dixon® design has 4 cam arms, Boss-Lock™ design has 2 cam arms.

<sup>2</sup> ductile iron



### 356T6 aluminum, brass and iron dimensions

Size	3/4" x 1/2"	3/4"	1"	1 1/4"	1 1/2"	2"	2 1/2"	3"	4"	6"	8"
A overall length	---	4 3/8	4 7/8	5-7/16	4-29/32	5-19/32	6-1/16	6-3/16	6 1/2	8 3/8	11-13/16
B coupler length	---	1-13/32	1-17/32	1-29/32	1-31/32	2-7/32	2 1/4	2 1/4	2 1/4	2 5/8	2-13/16
C distance across closed cam arms	---	2-19/32	2-29/32	3 3/8	3-29/32	4-5/16	4-13/16	5-9/16	6-11/16	9 3/8	11 1/8
D distance across open cam arms	---	5-13/32	5-9/16	7-15/32	7-25/32	8-5/32	8-21/32	9-29/32	11	16-5/32	18-5/32
E hose shank OD	---	27/32	1-1/16	1-11/32	1-9/16	2-1/16	2-19/32	3-3/32	4-3/32	6-3/32	8-1/16

### 316 stainless steel dimensions

Size	3/4" x 1/2"	3/4"	1"	1 1/4"	1 1/2"	2"	2 1/2"	3"	4"	6"	8"
A overall length	3-3/32	3 3/8	4 1/2	4-31/32	5 1/2	5-5/16	---	6-9/32	7	---	---
B coupler length	1-5/16	1-9/32	1-9/16	2-1/32	1-29/32	2-3/16	---	2-9/32	2-5/16	---	---
C distance across closed cam arms	2-25/32	2-25/32	2-29/32	3 3/8	3-29/32	4-5/16	---	5-9/16	6-11/16	---	---
D distance across open cam arms	5-13/32	5-13/32	5-9/16	7-15/32	7-25/32	8-5/32	---	9-29/32	11	---	---
E hose shank OD	19/32	27/32	1-1/16	1-5/16	1-19/32	2-3/32	---	3-3/32	4-3/32	---	---

## EZ Boss-Lock™ Type C Couplers

female coupler x hose shank

**Feature:**

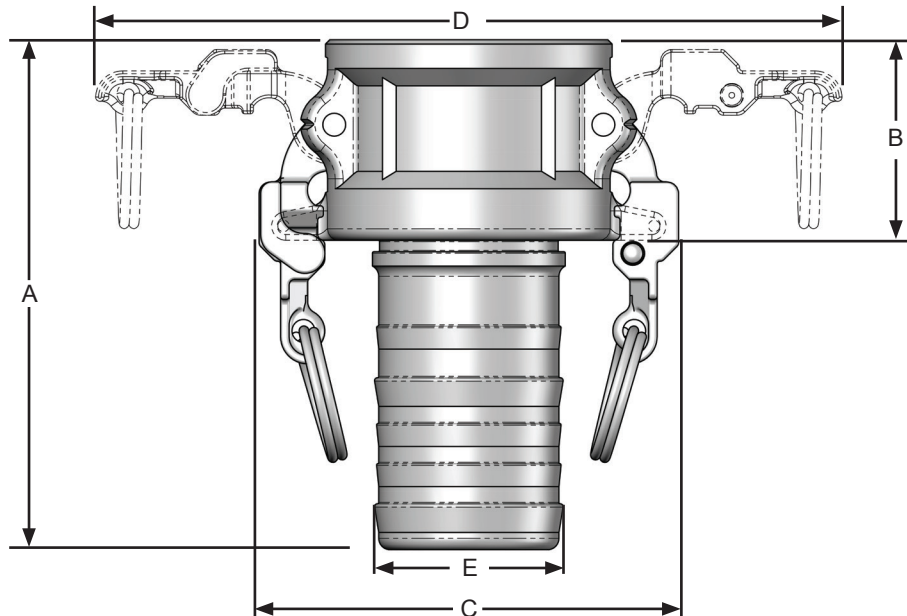
- Couplers are supplied standard with a Buna-N gasket. Other gasket types are available on pages 65-67.



Size	356T6 Aluminum Part #	Brass Part #	316 Stainless Steel Part #
3/4" x 1/2"	---	---	<b>RC050EZ</b>
3/4"	<b>AC075EZ</b>	<b>BC075EZ</b>	<b>RC075EZ</b>
1"	<b>AC100EZ</b>	<b>BC100EZ</b>	<b>RC100EZCR</b>
1 1/4"	---	<b>BC125EZ</b>	<b>RC125EZCR</b>
1 1/2"	<b>AC150EZ</b>	<b>BC150EZ</b>	<b>RC150EZNO</b>
2"	<b>AC200EZ</b>	<b>BC200EZ</b>	<b>RC200EZNO</b>
2 1/2"	<b>AC250EZ</b>	---	---
3"	<b>AC300EZ</b>	<b>BC300EZ</b>	<b>RC300EZCR</b>
4"	<b>AC400EZ</b>	<b>BC400EZ</b>	<b>RC400EZCR</b>
6"	<b>AC600EZ</b>	---	<b>RC600EZCR</b>
8"	<b>AC800EZ</b> <sup>1</sup>	---	---



<sup>1</sup> Dixon® and Boss-Lock™ cam and groove couplings *do not interchange in the 8" and 1/2" sizes*. The 8" Dixon® design has 4 cam arms, Boss-Lock™ design has 2 cam arms. *Under no circumstances should the EZ Boss-Lock™ cam arms be used on any fitting not specifically designed for their use.*



### 356T6 aluminum, brass and iron dimensions

Size	3/4" x 1/2"	3/4"	1"	1 1/4"	1 1/2"	2"	2 1/2"	3"	4"	6"	8"
A overall length	---	4 3/8	4 7/8	5-7/16	4-29/32	5-19/32	6-1/16	6-3/16	6 1/2	8 3/8	11-13/16
B coupler length	---	1-13/32	1-17/32	1-29/32	1-31/32	2-7/32	2 1/4	2 1/4	2 1/4	2 5/8	2-13/16
C distance across closed cam arms	---	3-3/32	3-7/32	3-29/32	4-7/32	4-19/32	5-1/16	5-27/32	6-15/16	9-31/32	12
D distance across open cam arms	---	6-7/32	6-11/32	7-15/32	7-25/32	8-5/32	8-21/32	9-29/32	11	16-25/32	18-25/32
E hose shank OD	---	27/32	1-1/16	1-11/32	1-9/16	2-1/16	2-19/32	3-3/32	4-3/32	6-3/32	8-1/16

### 316 stainless steel dimensions

Size	3/4" x 1/2"	3/4"	1"	1 1/4"	1 1/2"	2"	2 1/2"	3"	4"	6"	8"
A overall length	3-3/32	3 7/8	4 1/2	4-31/32	5 1/2	5-5/16	---	6-15/32	6-19/32	8-11/16	---
B coupler length	1-5/16	1-9/32	1-9/16	2-1/32	2-29/32	2-3/16	---	2-9/32	2-11/32	2-19/32	---
C distance across closed cam arms	3-3/32	3-3/32	3 3/4	3-29/32	4-7/32	4-19/32	---	5-27/32	6-15/16	9-31/32	---
D distance across open cam arms	6-7/32	6-7/32	6-11/32	7-15/32	7-25/32	8-5/32	---	9-29/32	11	16-25/32	---
E hose shank OD	19/32	27/32	1-1/16	1-5/16	1-19/32	2-3/32	---	3-3/32	4-3/32	6-1/16	---

## EZLink™ Armless Type D Couplers

### Applications:

- transfer and/or unloading of fuels (gasoline or diesel) from tank truck to storage tanks
- transfer of water and solutions compatible with aluminum and Buna-N rubber

### Materials:

- couplings and dust caps: A356 aluminum
- coupler tabs and springs: 316 stainless steel
- gasket: Buna-N

### Features:

- automatic couplers push-to-connect providing a reliable connection
- low profile allows easy connection and disconnection in tight applications
- coupler push tabs can be locked with safety pins and/or zip tie
- compatible with standard cam and groove adapters

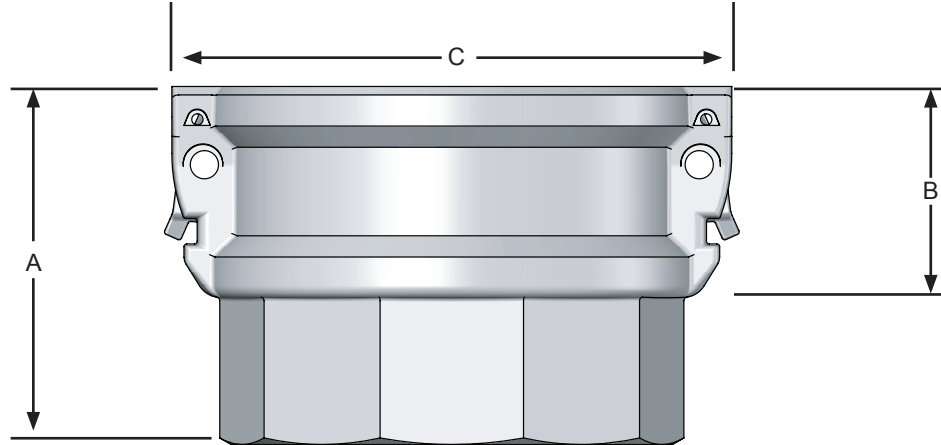
### Specifications:

- maximum working pressure with King Crimp™ ferrules: **250 PSI** (2"), **150 PSI** (3" and 4")
- maximum working pressure with crimp sleeves: **110 PSI**
- maximum working pressure with band clamps: **100 PSI**
- gasket temperature range: **5°F to 180°F (-15°C to 82°C)**



Only use EZLink™ gaskets for this coupling system. Traditional cam & groove gaskets, or other types of seals are not compatible and will fail. 

Size	A356 Aluminum Part #	316 Stainless Steel Part #
2"	<b>EZL200-D-AL</b>	<b>EZL200-D-SS</b>
3"	<b>EZL300-D-AL</b>	<b>EZL300-D-SS</b>
4"	<b>EZL400-D-AL</b>	---



### A356 aluminum dimensions

Size	2"	3"	4"
A overall length	3-5/16	3%	3-31/32
B coupler length	2-3/16	2-5/16	2-5/16
C distance across EARS	3-21/32	5-3/32	6-3/16
D distance across flats	2%	3%	4%


### 316 stainless steel dimensions

Size	2"
A overall length	3-3/16
B coupler length	2-3/16
C distance across EARS	3-21/32
D distance across flats	2%

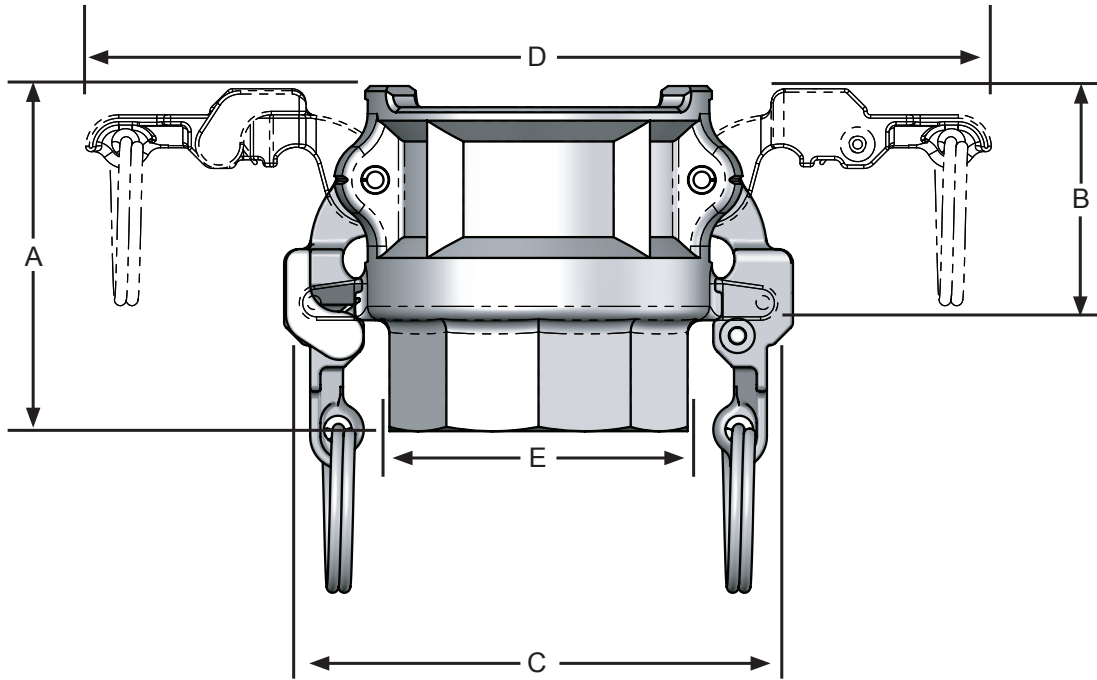
## Vent-Lock™ EZ Boss-Lock™ Type D Couplers



**Features:**

- safety release cam & groove couplings permit the release of static pressure when disconnecting hose assemblies
- venting system protects operator from being sprayed with hazardous or non-hazardous fluids or solids
- rated to **250 PSI**, recommendation based on the use of mating Dixon® L-style fittings at ambient temperature **70°F (21°C)** with standard Buna-N seal installed, for use at elevated temperature or other unusual operating conditions, consult Dixon®
  - 1", 1½" and 2" sizes have a maximum working pressure of **250 PSI**
  - 3" maximum working pressure **150 PSI** with King Crimp™ ferrules, crimp sleeves and bands at **125 PSI**
- does not interchange with standard cam & groove products use only with Vent-Lock™  L-style fittings

Size	316 Stainless Steel Part #
1"	<b>RLD100EZ</b>
1½"	<b>RLD150EZ</b>
2"	<b>RLD200EZ</b>



**316 stainless steel dimensions**

Size	2"
A overall length	3⅞
B coupler length	2⅞
C distance across closed cam arms	4-19/32
D distance across open cam arms	8-5/32
E distance across flats	2-11/16

## Dixon® Type D Couplers

### female coupler x female NPT

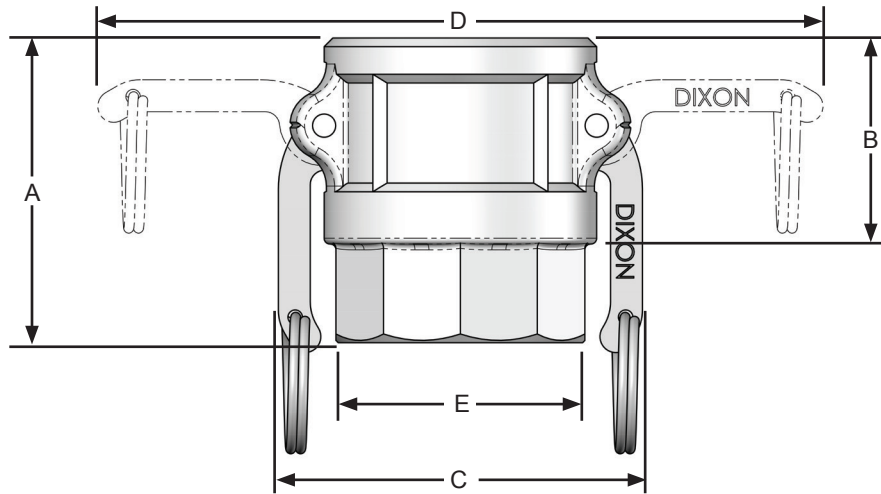
**Features:**

- Finger rings are not supplied on ½" - 1" Dixon® couplings.
- ½" Dixon® coupler has only one cam arm.
- Couplers are supplied standard with a Buna-N gasket. Other gasket types are available on pages 65-67.

Size	356T6 Aluminum Part #	Aluminum Hard Coat Part #	Brass Part #	Unplated Malleable Iron Part #	316 Stainless Steel Part #
½"	<b>50-D-AL</b>	---	<b>50-D-BR</b>	---	<b>50-D-SS</b>
¾"	<b>75-D-AL</b>	---	<b>75-D-BR</b>	---	<b>75-D-SS</b>
1"	<b>100-D-AL</b>	---	<b>100-D-BR</b>	---	<b>100-D-SS</b>
1¼"	<b>125-D-AL</b>	---	<b>125-D-BR</b>	---	<b>125-D-SS</b>
1½"	<b>150-D-AL</b>	<b>150-D-ALH</b>	<b>150-D-BR</b>	<b>150-D-MI</b>	<b>150-D-SS</b>
2"	<b>200-D-AL</b>	<b>200-D-ALH</b>	<b>200-D-BR</b>	<b>200-D-MI</b>	<b>200-D-SS</b>
2½"	<b>250-D-AL</b>	---	<b>250-D-BR</b>	---	<b>250-D-SS</b>
3"	<b>300-D-AL</b>	<b>300-D-ALH</b>	<b>300-D-BR</b>	<b>300-D-MI</b>	<b>300-D-SS</b>
4"	<b>400-D-AL</b>	<b>400-D-ALH</b>	<b>400-D-BR</b>	<b>400-D-MI</b> <sup>2</sup>	<b>400-D-SS</b>
5"	<b>500-D-AL</b>	---	<b>500-D-BR</b>	<b>500-D-MI</b>	<b>500-D-SS</b>
6"	<b>600-D-AL</b>	<b>600-D-ALH</b>	<b>600-D-BR</b>	---	<b>600-D-SS</b>
8"	<b>800-D-AL</b> <sup>1</sup>	---	---	---	---



<sup>1</sup> Dixon® and Boss-Lock™ cam and groove couplings *do not interchange in the 8" and ½" sizes*. The 8" Dixon® design has 4 cam arms, Boss-Lock™ design has 2 cam arms.  
<sup>2</sup> ductile iron



#### 356T6 aluminum, brass and iron dimensions

Size	½"	¾"	1"	1¼"	1½"	2"	2½"	3"	4"	5"	6"	8"
A overall length	1-31/32	2-5/32	2-9/16	2-27/32	2-27/32	3-5/16	3%	3-11/16	3-13/16	3¾	4-11/32	5-27/32
B coupler length	1-9/32	1%	1-9/16	1-15/16	1-13/16	2-7/32	2%	2%	2-5/16	2-5/16	2%	3-13/16
C distance across closed cam arms	1-17/32	2%	2-7/16	3¼	3-9/16	3-15/16	4-7/16	5-15/32	6-9/16	7-9/16	10-3/32	12-1/32
D distance across open cam arms	2-9/16	4%	5-3/16	7-5/32	7-7/16	7-13/16	8-11/32	10-3/32	11-3/16	12-3/16	16¼	19-31/32
E distance across flats	1-1/16	1-9/32	1-19/32	2	2-3/16	2%	3-7/32	3%	4%	6-9/16 <sup>1</sup>	7-23/32 <sup>1</sup>	10-1/16 <sup>1</sup>

<sup>1</sup> distance across lugs

#### 316 stainless steel dimensions

Size	½"	¾"	1"	1¼"	1½"	2"	2½"	3"	4"	5"	6"	8"
A overall length	2	2-1/16	2½	2-27/32	2-27/32	3-3/16	3¾	3-19/32	3-11/16	3-13/16	4-1/16	---
B coupler length	1-7/32	1¼	1-9/16	1-29/32	1-29/32	2-7/32	2¼	2-9/32	2-9/32	2-5/16	2-19/32	---
C distance across closed cam arms	1-17/32	2%	2-7/16	3¼	3-9/16	3-15/16	4-7/16	5-15/32	6-9/16	7-9/16	10-3/32	---
D distance across open cam arms	2%	4%	5-3/16	7-5/32	7-7/16	7-13/16	8-11/32	9-15/16	11-1/32	12-3/16	16¼	---
E distance across flats	1-3/32	1-5/16	1%	1-15/16	2-3/16	2-11/16	3¾	3¾	4¾	6-7/16 <sup>1</sup>	7-9/16 <sup>1</sup>	---

<sup>1</sup> distance across lugs

## Boss-Lock™ Type D Couplers

female coupler x female NPT

**Features:**

- All Boss-Lock™ couplers are supplied with safety clips.
- Couplers are supplied standard with a Buna-N gasket. Other gasket types are available on pages 65-67.



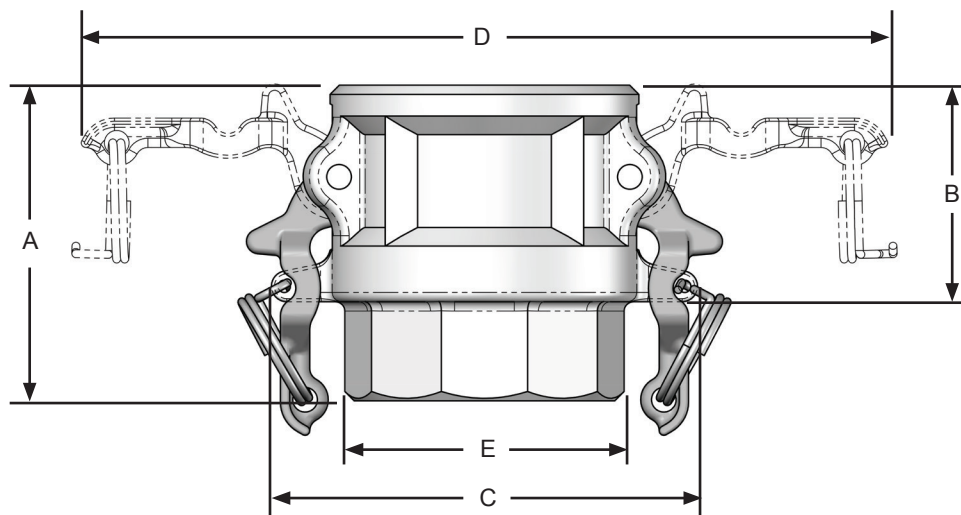
Size	356T6 Aluminum Part #	Brass Part #	Plated Malleable Iron Part #	316 Stainless Steel Part #
3/4" x 1/2"	AD050	BD050	---	RD050BL
3/4"	AD075	BD075	ID075	RD075BL
1"	AD100	BD100	ID100	RD100BL
1 1/4"	AD125	BD125	---	RD125BL
1 1/2"	AD150	BD150	ID150	RD150BL
2"	AD200	BD200	ID200	RD200BL
2 1/2"	AD250	BD250	---	---
3"	AD300	BD300	ID300	RD300BL
4"	AD400	BD400	ID400	RD400BL
5"	AD500	---	---	---
6"	AD600	BD600	ID600 <sup>2</sup>	---
8"	AD800 <sup>1</sup>	---	---	---



<sup>1</sup> Dixon® and Boss-Lock™ cam and groove couplings do not interchange in the 8" and 1/2" sizes.

The 8" Dixon® design has 4 cam arms, Boss-Lock™ design has 2 cam arms.

<sup>2</sup> ductile iron



### 356T6 aluminum, brass and iron dimensions

Size	3/4" x 1/2"	3/4"	1"	1 1/4"	1 1/2"	2"	2 1/2"	3"	4"	5"	6"	8"
A overall length	2	2-7/32	2-17/32	3-3/32	2-31/32	3 3/4	3-11/16	3-27/32	3-13/16	4 1/8	4 1/2	4 1/2
B coupler length	1-5/16	1-13/32	1-17/32	1-29/32	1-31/32	2-3/16	2 1/4	2-9/32	2-5/16	2-13/32	2-9/16	2-13/16
C distance across safety lugs	2-19/32	2-19/32	2-29/32	3 5/8	3-29/32	4-5/16	4-13/16	5-9/16	6-11/16	7-25/32	9 5/8	11 5/8
D distance across open cam arms	5-13/32	5-13/32	5-9/16	7-15/32	7-25/32	8-5/32	8-21/32	9-29/32	11	12-1/32	16-5/32	18-5/32
E distance across flats	1-3/16	1 5/8	1 5/8	2	2 1/4	2 5/8	3-5/16	3 3/8	4 7/8	6 1/2 <sup>1</sup>	8-5/32	9-31/32

<sup>1</sup> distance across lugs

### 316 stainless steel dimensions

Size	3/4" x 1/2"	3/4"	1"	1 1/4"	1 1/2"	2"	2 1/2"	3"	4"	5"	6"	8"
A overall length	2	2 1/8	2 1/2	3-3/32	2-27/32	3-3/16	---	3-19/32	3-23/32	---	---	---
B coupler length	1-5/16	1-9/32	1-9/16	1-29/32	1-29/32	2-3/16	---	2-9/32	2-5/16	---	---	---
C distance across safety lugs	2-25/32	2-25/32	2-29/32	3 3/8	3-29/32	4-5/16	---	5-9/16	6-11/16	---	---	---
D distance across open cam arms	5-13/32	5-13/32	5-9/16	7-15/32	7-25/32	8-5/32	---	9-29/32	11	---	---	---
E distance across flats	1-3/16	1 5/8	1 5/8	2	2-3/16	2-11/16	---	3 3/4	4 7/8	---	---	---



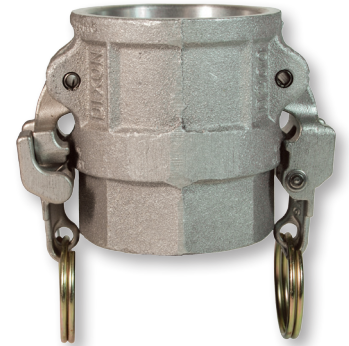
## EZ Boss-Lock™ Type D Couplers

### female coupler x female NPT

**Feature:**

- Couplers are supplied standard with a Buna-N gasket. Other gasket types are available on pages 65-67.

Size	356T6 Aluminum Part #	Brass Part #	316 Stainless Steel Part #	Heavy Duty 316 Stainless Steel Part #
3/4" x 1/2"	---	---	<b>RD050EZ</b>	---
3/4"	<b>AD075EZ</b>	<b>BD075EZ</b>	<b>RD075EZ</b>	---
1"	<b>AD100EZ</b>	<b>BD100EZ</b>	<b>RD100EZ</b>	---
1 1/4"	---	<b>BD125EZ</b>	<b>RD125EZ</b>	---
1 1/2"	<b>AD150EZ</b>	<b>BD150EZ</b>	<b>RD150EZ</b>	---
2"	<b>AD200EZ</b>	<b>BD200EZ</b>	<b>RD200EZ</b>	---
2 1/2"	<b>AD250EZ</b>	<b>BD250EZ</b>	<b>RD250EZ</b>	---
3"	<b>AD300EZ</b>	<b>BD300EZ</b>	<b>RD300EZ</b>	<b>RD300EZHD<sup>2</sup></b>
4"	<b>AD400EZ</b>	<b>BD400EZ</b>	<b>RD400EZ</b>	<b>RD400EZHD<sup>2</sup></b>
5"	<b>AD500EZ</b>	---	---	---
6"	<b>AD600EZ</b>	---	<b>RD600EZ</b>	---
8"	<b>AD800EZ<sup>1</sup></b>	---	---	---



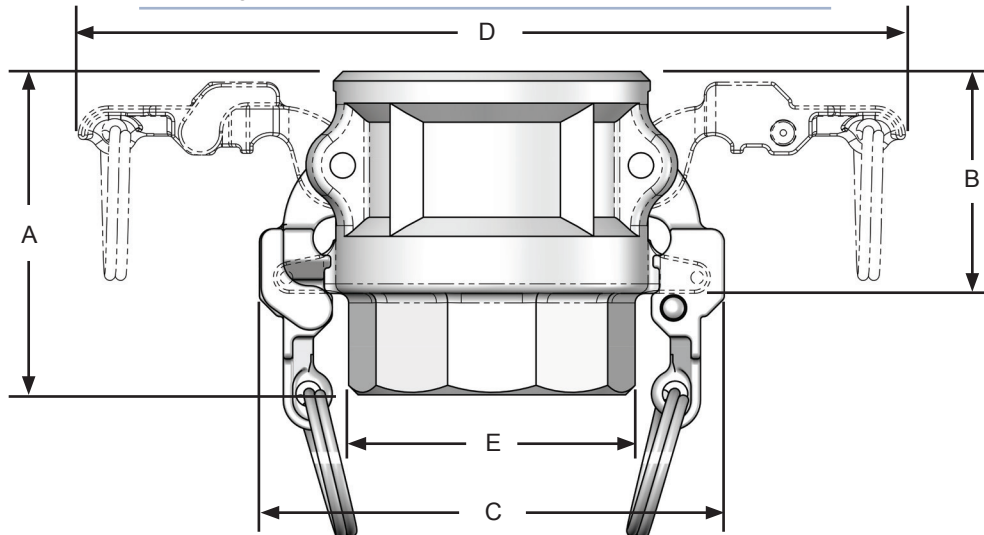
<sup>1</sup> Dixon® and Boss-Lock™ cam and groove couplings *do not interchange in the 8" and 1/2" sizes.*



<sup>2</sup> Supplied with 4 cam arms

The 8" Dixon® design has 4 cam arms, Boss-Lock™ design has 2 cam arms.

*Under no circumstances should the EZ Boss-Lock™ cam arms be used on any fitting not specifically designed for their use. See page 6 for further specifications.*



#### 356T6 aluminum, brass and iron dimensions

Size	3/4" x 1/2"	3/4"	1"	1 1/4"	1 1/2"	2"	2 1/2"	3"	4"	5"	6"	8"
A overall length	---	2-7/32	2-17/32	3-3/32	2 5/8	3 1/4	3-11/16	3-27/32	3-13/16	4 1/8	4 1/2	4 1/2
B coupler length	---	1-13/32	1-17/32	1-29/32	1-31/32	2-7/32	2 1/4	2-9/32	2-5/16	2-13/32	2 5/8	2-13/16
C distance across closed cam arms	---	3-3/32	3-7/32	3-29/32	4-7/32	4-19/32	5-1/16	5-27/32	6-15/16	7 7/8	9-31/32	12
D distance across open cam arms	---	6-7/32	6-11/32	7-15/32	7-25/32	8-5/32	8-21/32	9-29/32	11	12-1/16	16-25/32	18-25/32
E distance across flats	---	1 1/8	1 1/8	2	2 1/4	2 5/8	3-5/16	3 7/8	4 7/8	6-25/32 <sup>1</sup>	8-5/32	9-31/32

<sup>1</sup> distance across lugs

#### 316 stainless steel dimensions

Size	3/4" x 1/2"	3/4"	1"	1 1/4"	1 1/2"	2"	2 1/2"	3"	4"	5"	6"	8"
A overall length	2	2 1/8	2 1/2	3-3/32	2-27/32	3-3/16	3-11/16	3-19/32	3-23/32	---	4-1/16	---
B coupler length	1-5/16	1-9/32	1-9/16	1-29/32	1-29/32	2-3/16	2 1/4	2-9/32	2-5/16	---	2-19/32	---
C distance across closed cam arms	3-3/32	3-3/32	3 1/4	3-29/32	4-7/32	4-19/32	5-1/16	5-27/32	6-15/16	---	9-31/32	---
D distance across open cam arms	6-7/32	6-7/32	6-11/32	7-15/32	7-25/32	8-5/32	8-21/32	9-29/32	11	---	16-25/32	---
E distance across flats	1-3/16	1 1/8	1 5/8	2	2-3/16	2-11/16	3-5/16	3 3/4	4 7/8	---	7-9/16	---

## EZLink™ Armless Type B Couplers

### Applications:

- transfer and/or unloading of fuels (gasoline or diesel) from tank truck to storage tanks
- transfer of water and solutions compatible with aluminum and Buna-N rubber

### Materials:

- couplings and dust caps: A356 aluminum
- coupler tabs and springs: 316 stainless steel
- gasket: Buna-N

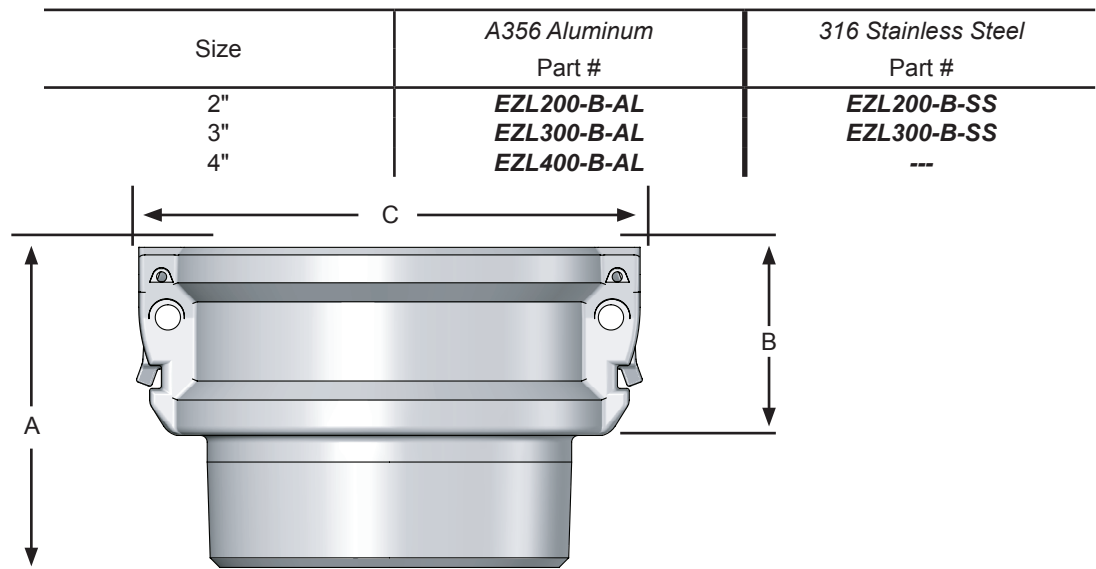
### Features:

- automatic couplers push-to-connect providing a reliable connection
- low profile allows easy connection and disconnection in tight applications
- coupler push tabs can be locked with safety pins and/or zip tie
- compatible with standard cam and groove adapters

### Specifications:

- maximum working pressure with King Crimp™ ferrules: **250 PSI** (2"), **150 PSI** (3" and 4")
- maximum working pressure with crimp sleeves: **110 PSI**
- maximum working pressure with band clamps: **100 PSI**
- gasket temperature range: **5°F to 180°F (-15°C to 82°C)**

Only use EZLink™ gaskets for this coupling system. Traditional cam & groove gaskets, or other types of seals are not compatible and will fail. 



### A356 aluminum dimensions

Size	2"	3"	4"
A overall length	3-7/32	3 3/8	3-15/16
B coupler length	2-3/16	2-5/16	2-5/16
C distance across EARS	3-21/32	5-3/32	6-3/16

### 316 stainless steel dimensions

Size	2"
A overall length	3-3/16
B coupler length	2-3/16
C distance across EARS	3-21/32

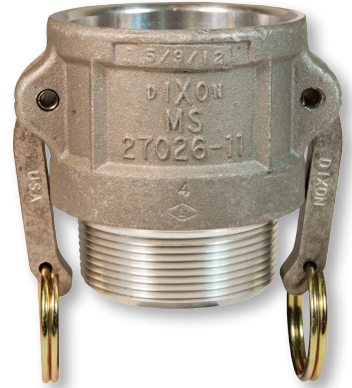
## Dixon® Type B Couplers

female coupler x male NPT

### Features:

- Finger rings are not supplied on ½" - 1" Dixon® couplings.
- ½" Dixon coupler has only one cam arm.
- Couplers are supplied standard with a Buna-N gasket. Other gasket types are available on pages 65-67.

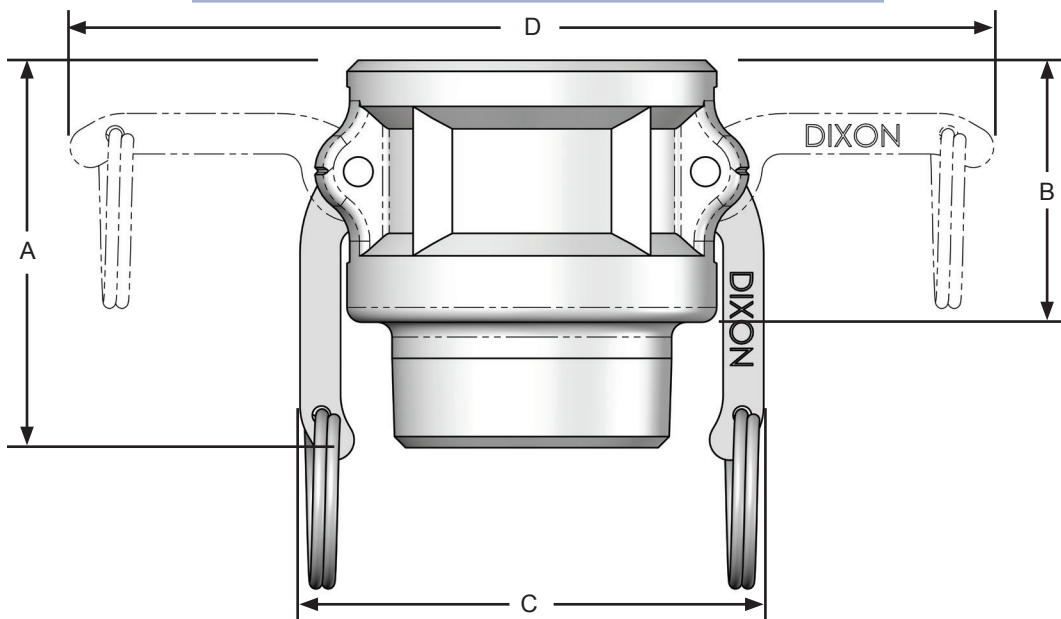
Size	356T6 Aluminum Part #	Aluminum Hard Coat Part #	Brass Part #	Unplated Malleable Iron Part #	316 Stainless Steel Part #
½"	<b>50-B-AL</b>	---	<b>50-B-BR</b>	---	<b>50-B-SS</b>
¾"	<b>75-B-AL</b>	---	<b>75-B-BR</b>	---	<b>75-B-SS</b>
1"	<b>100-B-AL</b>	---	<b>100-B-BR</b>	---	<b>100-B-SS</b>
1¼"	<b>125-B-AL</b>	---	---	---	---
1½"	<b>150-B-AL</b>	<b>150-B-ALH</b>	<b>150-B-BR</b>	<b>150-B-MI</b> <sup>3</sup>	<b>150-B-SS</b>
2"	<b>200-B-AL</b>	<b>200-B-ALH</b>	<b>200-B-BR</b>	<b>200-B-MI</b>	<b>200-B-SS</b>
2½"	<b>250-B-AL</b>	---	---	---	<b>250-B-SS</b>
3"	<b>300-B-AL</b>	<b>300-B-ALH</b>	<b>300-B-BR</b>	<b>300-B-MI</b> <sup>3</sup>	<b>300-B-SS</b>
4"	<b>400-B-AL</b>	<b>400-B-ALH</b>	<b>400-B-BR</b>	<b>400-B-MI</b>	<b>400-B-SS</b>
5"	<b>500-B-AL</b>	---	---	---	<b>600-B-SS</b>
6"	<b>600-B-AL</b>	<b>600-B-ALH</b>	---	---	---
8"	<b>800-B-AL</b> <sup>1,2</sup>	---	---	---	---



<sup>1</sup> Dixon® and Boss-Lock™ cam and groove couplings do not interchange in the 8" and ½" sizes. The 8" Dixon® design has 4 cam arms, Boss-Lock™ design has 2 cam arms.

<sup>2</sup> Parts are produced as a welded fabrication.

<sup>3</sup> ductile iron



### 356T6 aluminum, brass and iron dimensions

Size	½"	¾"	1"	1¼"	1½"	2"	2½"	3"	4"	5"	6"	8"
A overall length	1-31/32	2-1/32	2-17/32	2¾	2-27/32	3¼	3¾	3-15/16	4-1/32	4-3/16	4-7/16	8¼
B coupler length	1-9/32	1-9/32	1-21/32	1-31/32	1-13/16	2-7/32	2¾	2-5/16	2-11/32	2-5/16	2¾	3-13/16
C distance across closed cam arms	1-17/32	2¾	2-7/16	3¼	3-9/16	3-15/16	4-7/16	5-15/32	6-9/16	7-9/16	10-3/32	12-1/32
D distance across open cam arms	2¾	4¾	5-3/16	7-5/32	7-7/16	7-13/16	8-11/32	10-3/32	11-3/16	12-3/16	16¼	19-31/32

### 316 stainless steel dimensions

Size	½"	¾"	1"	1¼"	1½"	2"	2½"	3"	4"	5"	6"	8"
A overall length	2-1/32	2¾	2-9/16	2-27/32	2-31/32	3-9/32	3-7/16	3-29/32	4	---	4-17/32	---
B coupler length	1-7/32	1¼	1-9/16	1-29/32	1-29/32	2-7/32	2¼	2-9/32	2-9/32	---	2-19/32	---
C distance across closed cam arms	1-17/32	2¾	2-7/16	3¼	3-9/16	3-15/16	4-7/16	5-15/32	6-9/16	---	10-3/32	---
D distance across open cam arms	2¾	4¾	5-3/16	7-5/32	7-7/16	7-13/16	8-11/32	9-15/16	11-1/32	---	16¼	---

## Boss-Lock™ Type B Couplers

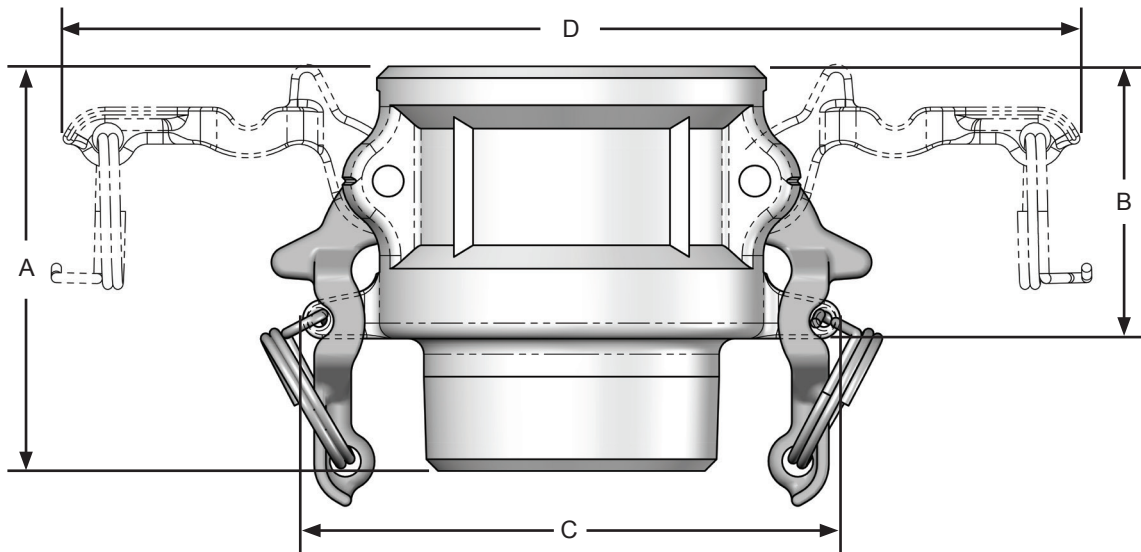
female coupler x male NPT

### Features:

- All Boss-Lock™ couplers are supplied with safety clips.
- Couplers are supplied standard with a Buna-N gasket. Other gasket types are available on pages 65-67.



Size	356T6 Aluminum Part #	Brass Part #	Plated Malleable Iron Part #	316 Stainless Steel Part #
3/4" x 1/2"	---	---	---	<b>RB050BL</b>
3/4"	---	<b>BB075</b>	---	<b>RB075BL</b>
1"	<b>AB100</b>	<b>BB100</b>	<b>IB100</b>	<b>RB100BL</b>
1 1/4"	<b>AB125</b>	<b>BB125</b>	---	<b>RB125BL</b>
1 1/2"	<b>AB150</b>	<b>BB150</b>	---	<b>RB150BL</b>
2"	<b>AB200</b>	<b>BB200</b>	<b>IB200</b>	<b>RB200BL</b>
2 1/2"	<b>AB250</b>	<b>BB250</b>	---	---
3"	<b>AB300</b>	<b>BB300</b>	---	<b>RB300BL</b>
4"	<b>AB400</b>	<b>BB400</b>	---	<b>RB400BL</b>
6"	<b>AB600</b>	---	---	---



### 356T6 aluminum, brass and iron dimensions

Size	3/4" x 1/2"	3/4"	1"	1 1/4"	1 1/2"	2"	2 1/2"	3"	4"	5"	6"	8"
A overall length	---	2-5/16	2-17/32	3-5/32	3-5/32	3-9/32	3 7/8	4	4-1/16	---	4-23/32	---
B coupler length	---	1-13/32	1-17/32	1-29/32	1-29/32	2-7/32	2 1/4	2-5/16	2-5/16	---	2-19/32	---
C distance across safety lugs	---	2-19/32	2-29/32	3 5/8	3-29/32	4-5/16	4-13/16	5-9/16	6-11/16	---	9 5/8	---
D distance across open cam arms	---	5-13/32	5-9/16	7-15/32	7-25/32	8-5/32	8-21/32	9-29/32	11	---	16-5/32	---

### 316 stainless steel dimensions

Size	3/4" x 1/2"	3/4"	1"	1 1/4"	1 1/2"	2"	2 1/2"	3"	4"	5"	6"	8"
A overall length	2 1/4	2 1/4	2-9/16	3-3/16	3-7/32	3 1/4	---	3-29/32	4-1/16	---	---	---
B coupler length	1-5/16	1-9/32	1-9/16	1-29/32	1-29/32	2-3/16	---	2-9/32	2-5/16	---	---	---
C distance across safety lugs	2-25/32	2-25/32	2-29/32	3 5/8	3-29/32	4-5/16	---	5-9/16	6-11/16	---	---	---
D distance across open cam arms	5-13/32	5-13/32	5-9/16	7-15/32	7-25/32	8-5/32	---	9-29/32	11	---	---	---

## EZ Boss-Lock™ Type B Couplers

### female coupler x male NPT

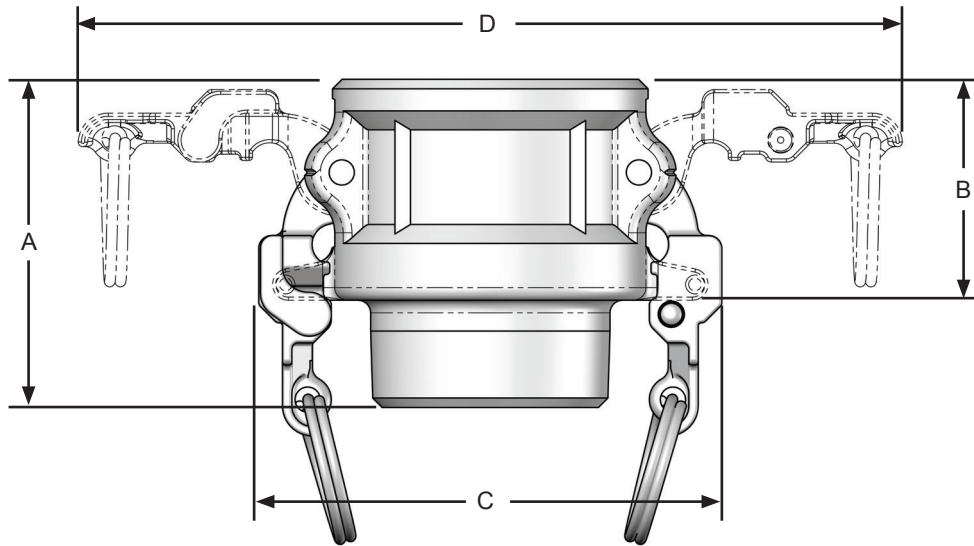
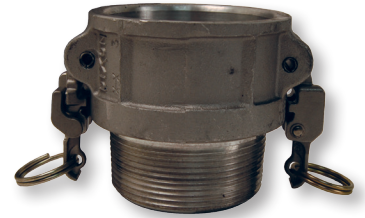
**Features:**

- Couplers are supplied standard with a Buna-N gasket. Other gasket types are available on pages 65-67.



- Under no circumstances should the EZ Boss-Lock™ cam arms be used on any fitting not specifically designed for their use. See page 6 for further specifications.

Size	356T6 Aluminum Part #	Brass Part #	316 Stainless Steel Part #
3/4" x 1/2"	---	---	<b>RB050EZ</b>
3/4"	---	<b>BB075EZ</b>	<b>RB075EZ</b>
1"	<b>AB100EZ</b>	<b>BB100EZ</b>	<b>RB100EZ</b>
1 1/4"	---	<b>BB125EZ</b>	<b>RB125EZ</b>
1 1/2"	<b>AB150EZ</b>	<b>BB150EZ</b>	<b>RB150EZ</b>
2"	<b>AB200EZ</b>	<b>BB200EZ</b>	<b>RB200EZ</b>
3"	<b>AB300EZ</b>	<b>BB300EZ</b>	<b>RB300EZ</b>
4"	<b>AB400EZ</b>	<b>BB400EZ</b>	<b>RB400EZ</b>
6"	---	---	<b>RB600EZ</b>



### 356T6 aluminum, brass and iron dimensions

Size		3/4" x 1/2"	3/4"	1"	1 1/4"	1 1/2"	2"	2 1/2"	3"	4"	5"	6"	8"
A	overall length	---	2-5/16	2-17/32	3-5/32	3-5/32	3-9/32	---	4	4-1/16	---	---	---
B	coupler length	---	1-13/32	1-17/32	1-29/32	1-29/32	2-7/32	---	2-5/16	2-5/16	---	---	---
C	distance across closed cam arms	---	3-3/32	3-7/32	3-29/32	4-7/32	4-19/32	---	5-27/32	6-15/16	---	---	---
D	distance across open cam arms	---	6-7/32	6-11/32	7-15/32	7-25/32	8-5/32	---	9-29/32	11	---	---	---

### 316 stainless steel dimensions

Size		3/4" x 1/2"	3/4"	1"	1 1/4"	1 1/2"	2"	2 1/2"	3"	4"	5"	6"	8"
A	overall length	2 1/4	2 1/4	2-9/16	3-3/16	3-7/32	3 3/4	---	3-29/32	4-1/16	---	4-17/32	---
B	coupler length	1-5/16	1-9/32	1-9/16	1-29/32	1-29/32	2-3/16	---	2-9/32	2-5/16	---	2-19/32	---
C	distance across closed cam arms	3-3/32	3-3/32	3 1/4	3-29/32	4-7/32	4-19/32	---	5-27/32	6-15/16	---	9-31/32	---
D	distance across open cam arms	6-7/32	6-7/32	6-11/32	7-15/32	7-25/32	8-5/32	---	9-29/32	11	---	16-25/32	---

## EZLink™ Armless Type DC Dust Caps

**Applications:**

- transfer and/or unloading of fuels (gasoline or diesel) from tank truck to storage tanks
- transfer of water and solutions compatible with aluminum and Buna-N rubber

**Materials:**

- couplings and dust caps: A356 aluminum
- coupler tabs and springs: 316 stainless steel
- gasket: Buna-N


**Features:**

- automatic couplers push-to-connect providing a reliable connection
- low profile allows easy connection and disconnection in tight applications
- coupler push tabs can be locked with safety pins and/or zip tie
- compatible with standard cam and groove adapters

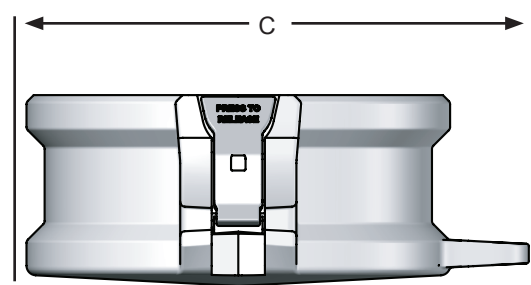
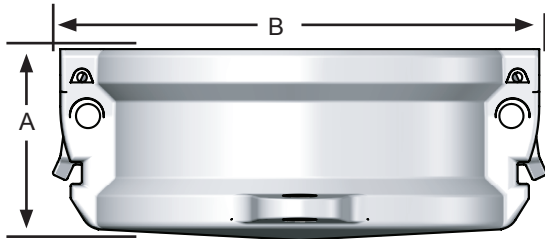


**Specifications:**

- maximum working pressure with King Crimp™ ferrules: **250 PSI** (2"), **150 PSI** (3" and 4")
- maximum working pressure with crimp sleeves: **110 PSI**
- maximum working pressure with band clamps: **100 PSI**
- gasket temperature range: **5°F to 180°F (-15°C to 82°C)**

Only use EZLink™ gaskets for this coupling system. Traditional cam & groove gaskets, or other types of seals are not compatible and will fail. 

Size	A356 Aluminum Part #	316 Stainless Steel Part #
2"	<b>EZL200-DC-AL</b>	<b>EZL200-DC-SS</b>
3"	<b>EZL300-DC-AL</b>	<b>EZL300-DC-SS</b>
4"	<b>EZL400-DC-AL</b>	---



**A356 aluminum dimensions**


Size	2"	3"	4"
A overall length	2-3/16	2-5/16	2-5/16
B distance across EARS	3-21/32	5-3/32	6-3/16
C coupler OD with chain lug	3 5/8	5 1/8	6-15/32

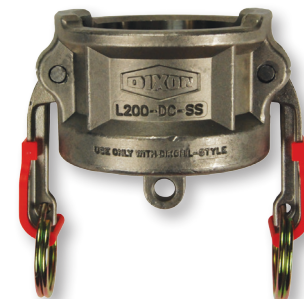
**316 stainless steel dimensions**

Size	2"
A overall length	2-3/16
B distance across EARS	3-21/32
C coupler OD with chain lug	3-19/32

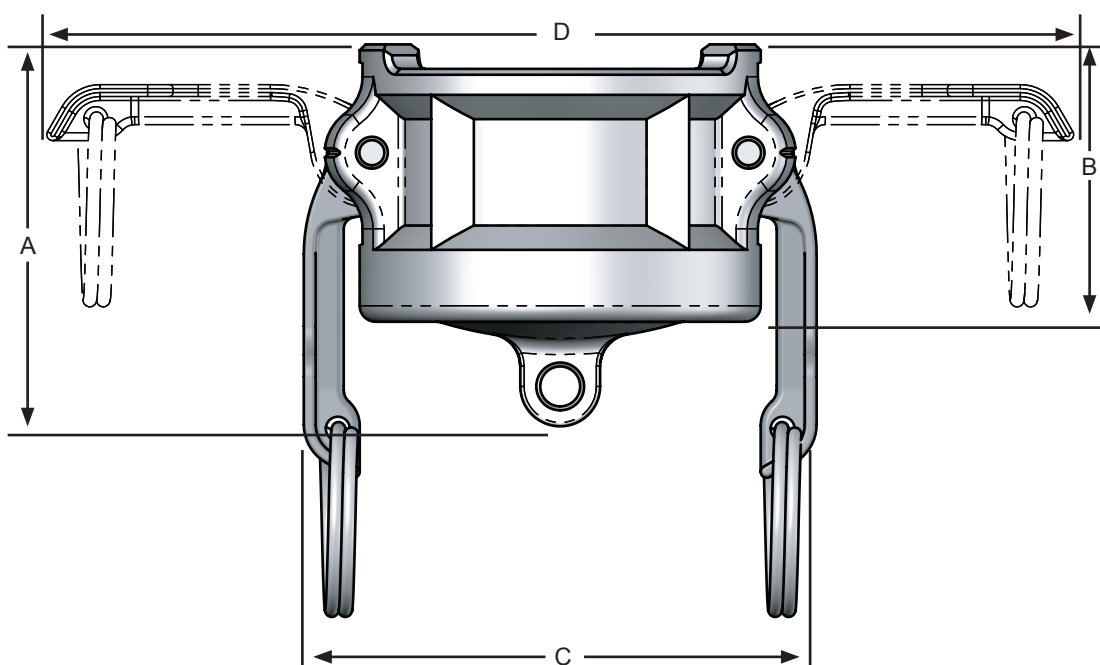
## Vent-Lock™ Type DC Dust Caps

**Features:**

- safety release cam & groove couplings permit the release of static pressure when disconnecting hose assemblies
- venting system protects operator from being sprayed with hazardous or non-hazardous fluids or solids
- rated to **250 PSI**, recommendation based on the use of mating Dixon® L-style fittings at ambient temperature **70°F (21°C)** with standard Buna-N seal installed, for use at elevated temperature or other unusual operating conditions, consult Dixon®
  - 1", 1½" and 2" sizes have a maximum working pressure of **250 PSI**
  - 3" maximum working pressure **150 PSI** with King Crimp™ ferrules, crimp sleeves and bands at **125 PSI**
- does not interchange with standard cam & groove products use only with Vent-Lock™ 



Size	316 Stainless Steel Part #
1"	L100-DC-SS
1½"	L150-DC-SS
2"	L200-DC-SS



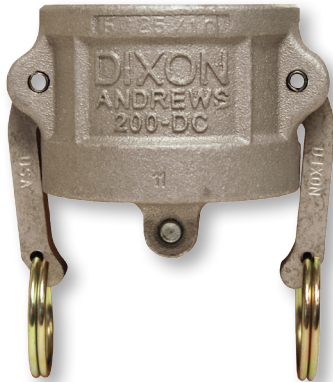
**316 Stainless Steel**

Size	2"	3"	4"
A overall length	2-5/32	2¾	2-31/32
B coupler length	1-19/32	1-29/32	2-5/32
C distance across closed cam arms	2-7/16	3-9/16	3-15/16
D distance across open cam arms	5-3/16	7-7/16	7-13/16

## Dixon® Type DC Dust Caps

**Features:**

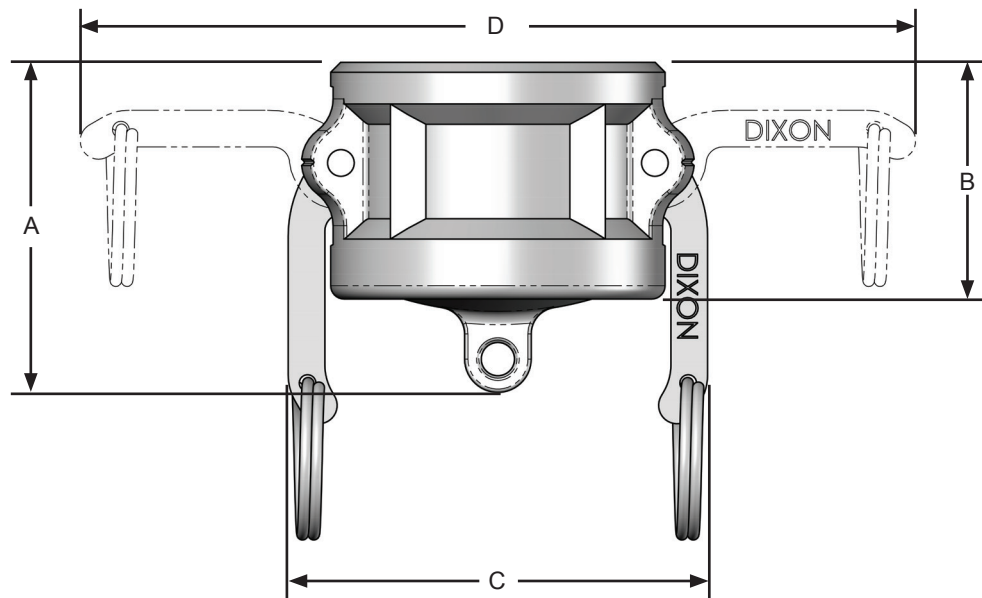
- Finger rings are not supplied on ½" - 1" Dixon® couplings.
- ½" Dixon® has only one cam arm.
- Couplers are supplied standard with a Buna-N gasket. Other gasket types are available on pages 65-67.



Size	356T6 Aluminum Part #	Aluminum Hard Coat Part #	Brass Part #	Unplated Malleable Iron Part #	316 Stainless Steel Part #
½"	50-DC-AL	---	50-DC-BR	---	50-DC-SS
¾"	75-DC-AL	---	75-DC-BR	---	75-DC-SS
1"	100-DC-AL	---	100-DC-BR	---	100-DC-SS
1½"	150-DC-AL	150-DC-ALH	150-DC-BR	---	150-DC-SS
2"	200-DC-AL	200-DC-ALH	200-DC-BR	200-DC-MI	200-DC-SS
2½"	250-DC-AL	---	---	---	250-DC-SS
3"	300-DC-AL	300-DC-ALH	300-DC-BR	300-DC-MI	300-DC-SS
4"	400-DC-AL	400-DC-ALH	400-DC-BR	400-DC-MI	400-DC-SS
5"	500-DC-AL	---	500-DC-BR	---	500-DC-SS
6"	600-DC-AL	600-DC-ALH	---	---	600-DC-SS
8"	800-DC-AL <sup>1</sup>	---	---	---	---

<sup>1</sup> Dixon® and Boss-Lock™ cam and groove couplings do not interchange in the 8" and ½" sizes.

The 8" Dixon dust cap has 2 cam arms.



### 356T6 aluminum, brass and iron dimensions

Size	½"	¾"	1"	1½"	2"	2½"	3"	4"	5"	6"	8"
A overall length	1-25/32	2-1/32	2-11/32	2-11/16	3	2¾	3⅛	3-21/32	3½	3-3/16	5-7/16
B coupler length	1-7/32	1-11/32	1-21/32	1-13/16	2-7/32	2-3/16	2¼	2-5/16	2-5/16	2⅝	3-13/16
C distance across safety lugs	1-17/32	2⅝	2-7/16	3-9/16	3-15/16	4-7/16	5-15/32	6-9/16	7-9/16	10-3/32	12-1/32
D distance across open cam arms	2-11/16	4⅝	5-3/16	7-7/16	7-13/16	8-11/32	10-3/32	11-3/16	12-3/16	16¼	19-31/32


### 316 stainless steel dimensions

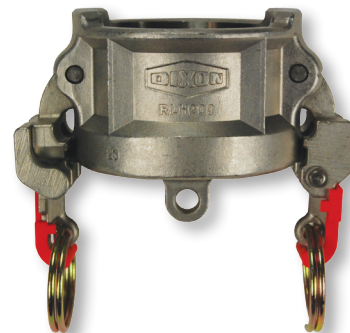
Size	½"	¾"	1"	1½"	2"	2½"	3"	4"	5"	6"	8"
A overall length	1-23/32	1¼	2-3/16	2-13/16	3-3/32	3-1/16	3⅝	3-17/32	3⅝	3¾	---
B coupler length	1-7/32	1¼	1-9/16	1-29/32	2-7/32	2¼	2-9/32	2-9/32	2-7/16	2-19/32	---
C distance across closed cam arms	1-17/32	2⅝	2-7/16	3-9/16	3-15/16	4-7/16	5-15/32	6-9/16	7-9/16	10-3/32	---
D distance across open cam arms	2⅝	4⅝	5-3/16	7-7/16	7-13/16	8-11/32	9-15/16	11-1/32	12-3/16	16¼	---



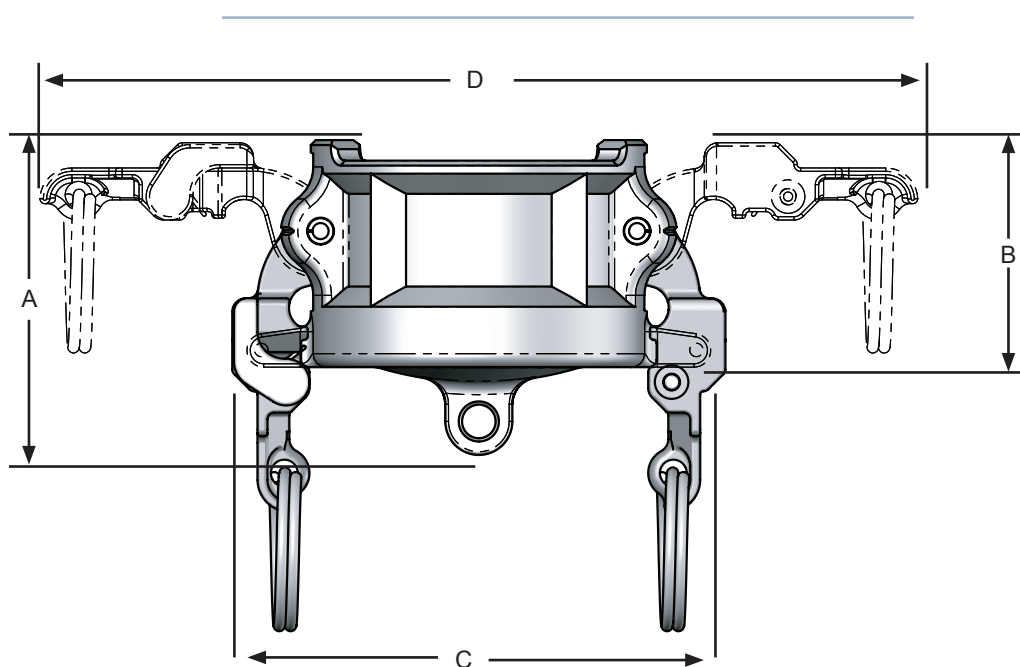
## Vent-Lock™ EZ Boss-Lock™ Type H Dust Caps

**Features:**

- safety release cam & groove couplings permit the release of static pressure when disconnecting hose assemblies
- venting system protects operator from being sprayed with hazardous or non-hazardous fluids or solids
- rated to **250 PSI**, recommendation based on the use of mating Dixon® L-style fittings at ambient temperature **70°F (21°C)** with standard Buna-N seal installed, for use at elevated temperature or other unusual operating conditions, consult Dixon®
  - 1", 1½" and 2" sizes have a maximum working pressure of **250 PSI**
  - 3" maximum working pressure **150 PSI** with King Crimp™ ferrules, crimp sleeves and bands at **125 PSI**
- does not interchange with standard cam & groove products use only with Vent-Lock™ L-style fittings 



Size	316 Stainless Steel Part #
1"	<b>RLH100EZ</b>
1½"	<b>RLH150EZ</b>
2"	<b>RLH200EZ</b>
3"	<b>RLH300EZ</b>



**316 stainless steel dimensions**

Size	1"	1½"	2"	3"
A overall length	2-5/32	2-29/32	2-15/16	3 1/8
B coupler length	1-17/32	2-3/32	2 1/4	2 1/4
C distance across closed cam arms	3 1/4	4-7/32	4-19/32	5-27/32
D distance across open cam arms	6-11/32	7-25/32	8-5/32	9-29/32

## Boss-Lock™ Type H Dust Caps

**Features:**

- All Boss-Lock™ couplers are supplied with safety clips.
- Couplers are supplied standard with a Buna-N gasket. Other gasket types are available on pages 65-67.

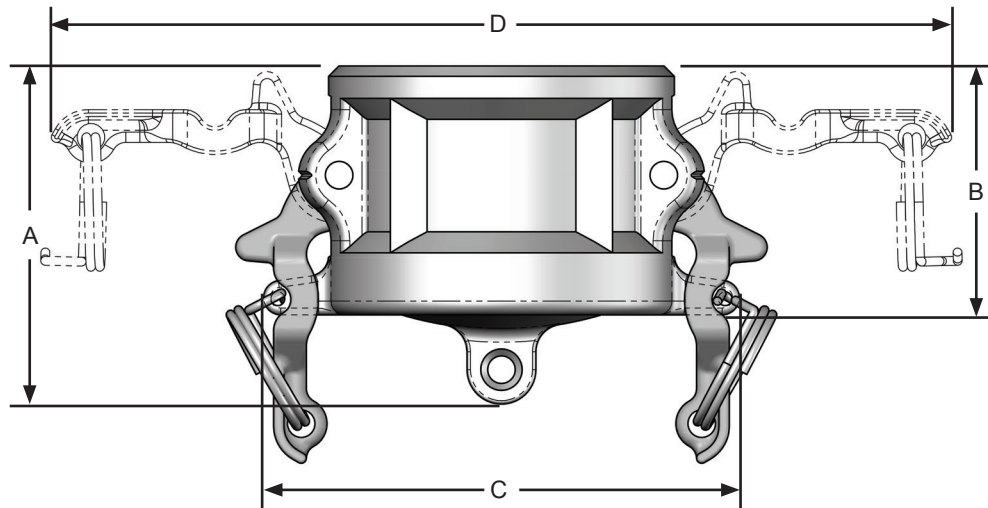


Size	356T6 Aluminum Part #	Brass Part #	Plated Malleable Iron Part #	316 Stainless Steel Part #
¾"	---	---	---	<b>RH075BL</b>
1"	<b>AH100</b>	<b>BH100</b>	---	<b>RH100BL</b>
1¼"	<b>AH125</b>	<b>BH125</b>	---	<b>RH125BL</b>
1½"	<b>AH150</b>	<b>BH150</b>	<b>IH150</b>	<b>RH150BL</b>
2"	<b>AH200</b>	<b>BH200</b>	<b>IH200</b>	<b>RH200BL</b>
2½"	<b>AH250</b>	<b>BH250</b>	---	---
3"	<b>AH300</b>	<b>BH300</b>	<b>IH300</b>	<b>RH300BL</b>
4"	<b>AH400</b>	<b>BH400</b>	<b>IH400</b>	<b>RH400BL</b>
6"	<b>AH600</b>	<b>BH600</b>	<b>IH600</b>	---
8"	<b>AH800</b> <sup>1</sup>	---	---	---



<sup>1</sup> Dixon® and Boss-Lock™ cam and groove couplings *do not interchange in the 8" and ½" sizes.*

The 8" Boss-Lock™ design has 2 cam arms.



### 356T6 aluminum, brass and iron dimensions

Size	¾"	1"	1¼"	1½"	2"	2½"	3"	4"	5"	6"	8"
A overall length	---	2-3/16	2¾	2-15/16	3-1/16	3-7/32	3⅜	3-11/32	---	3-29/32	4-9/16
B coupler length	---	1-17/32	1-29/32	1-29/32	2-3/16	2¼	2-5/16	2-5/16	---	2⅝	2-13/16
C distance across safety lugs	---	2-29/32	3⅝	3-29/32	4-5/16	4-13/16	5-9/16	6-11/16	---	9⅞	11⅞
D distance across open cam arms	---	5-9/16	7-15/32	7-25/32	8-5/32	8-21/32	9-29/32	11	---	16-5/32	18-5/32

### 316 stainless steel dimensions

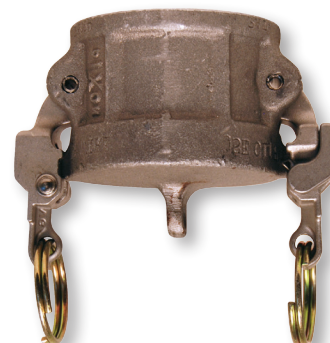
Size	¾"	1"	1¼"	1½"	2"	2½"	3"	4"	5"	6"	8"
A overall length	1-15/16	2¼	2¾	2-13/16	3-1/16	---	3⅜	3-19/32	---	---	---
B coupler length	1-9/32	1-9/16	1-29/32	1-29/32	2¼	---	2-9/32	2-5/16	---	---	---
C distance across safety lugs	2-25/32	2-29/32	3⅝	3-29/32	4-5/16	---	5-9/16	6-11/16	---	---	---
D distance across open cam arms	5-13/32	5-9/16	7-15/32	7-25/32	8-5/32	---	9-29/32	11	---	---	---

## EZ Boss-Lock™ Type H Dust Caps

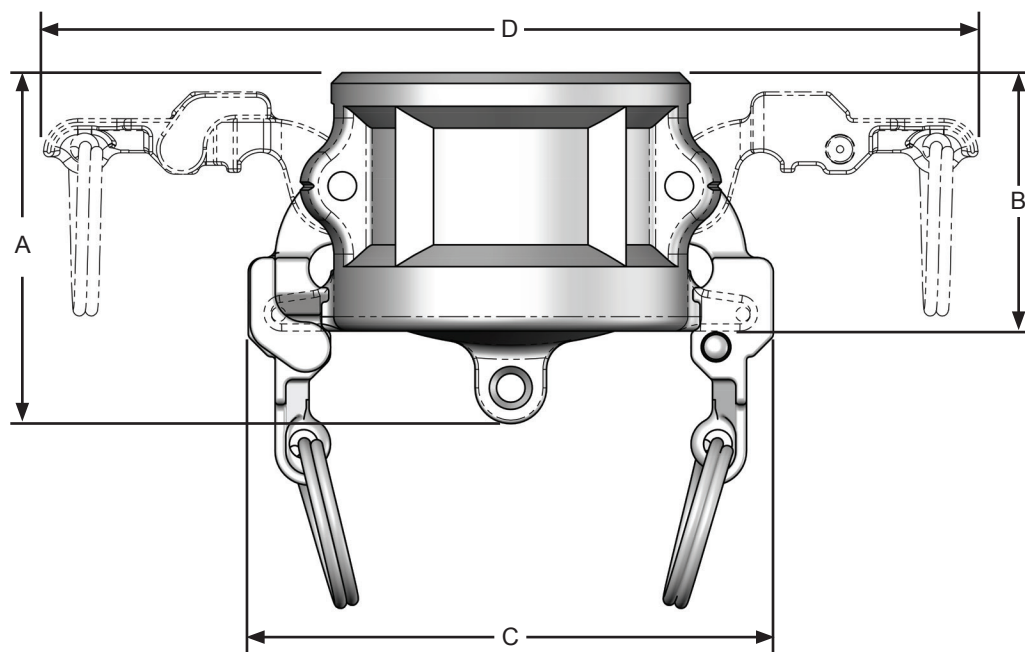
**Feature:**

- Couplers are supplied standard with a Buna-N gasket. Other gasket types are available on pages 65-67.

Size	356T6 Aluminum Part #	Brass Part #	316 Stainless Steel Part #
¾"	---	---	<b>RH075EZ</b>
1"	<b>AH100EZ</b>	<b>BH100EZ</b>	<b>RH100EZ</b>
1¼"	---	---	<b>RH125EZ</b>
1½"	<b>AH150EZ</b>	<b>BH150EZ</b>	<b>RH150EZ</b>
2"	<b>AH200EZ</b>	<b>BH200EZ</b>	<b>RH200EZ</b>
2½"	<b>AH250EZ</b>	---	---
3"	<b>AH300EZ</b>	<b>BH300EZ</b>	<b>RH300EZ</b>
4"	<b>AH400EZ</b>	---	<b>RH400EZ</b>
6"	<b>AH600EZ</b>	---	<b>RH600EZ</b>



- Under no circumstances should the EZ Boss-Lock™ cam arms be used on any fitting not specifically designed for their use. See page 6 for further specifications.
- Dust caps and dust plugs are not to be used in pressure applications for safety and environmental reasons.



**356T6 aluminum, brass and iron dimensions**

Size	¾"	1"	1¼"	1½"	2"	2½"	3"	4"	5"	6"	8"
A overall length	---	2-3/16	---	2-15/16	3-1/16	3-7/32	3⅝	3-11/32	---	3-29/32	---
B coupler length	---	1-17/32	---	1-29/32	2-3/16	2¼	2-5/16	2-5/16	---	2⅝	---
C distance across closed cam arms	---	3-7/32	---	4-7/32	4-19/32	5-1/16	5-27/32	6-15/16	---	9-31/32	---
D distance across open cam arms	---	6-11/32	---	7-25/32	8-5/32	8-21/32	9-29/32	11	---	16-25/32	---

**316 stainless steel dimensions**

Size	¾"	1"	1¼"	1½"	2"	2½"	3"	4"	5"	6"	8"
A overall length	1-15/16	2¼	2¼	2-13/16	3-1/16	---	3⅝	3-19/32	---	3¾	---
B coupler length	1-9/32	1-9/16	1-29/32	1-29/32	2¼	---	2-9/32	2-5/16	---	2-19/32	---
C distance across closed cam arms	3-3/32	3¼	3-29/32	4-7/32	4-19/32	---	5-27/32	6-15/16	---	9-31/32	---
D distance across open cam arms	6-7/32	6-11/32	7-15/32	7-25/32	8-5/32	---	9-29/32	11	---	16-25/32	---

## Global Cam and Groove

## Features:

- interchange with all products produced to A-A-59326D
- made to Dixon® specifications and branded Dixon®
- Buna seals are standard
- pressure rating for adapters is based on the seal of the mating part



- Dust caps and dust plugs are not to be used in pressure applications for safety and environmental reasons

## Global Type A Adapter x Female NPT

Size	A380 Permanent Mold AL Part #	ASTMC38000 Forged Brass Part #	316 Investment Cast SS Part #
½"	G50-A-AL <sup>1</sup>	G50-A-BR <sup>1</sup>	G50-A-SS
¾"	G75-A-AL	G75-A-BR	G75-A-SS
1"	G100-A-AL	G100-A-BR	G100-A-SS
1¼"	G125-A-AL	G125-A-BR	G125-A-SS
1½"	G150-A-AL	G150-A-BR	G150-A-SS
2"	G200-A-AL	G200-A-BR	G200-A-SS
2½"	G250-A-AL	G250-A-BR	G250-A-SS
3"	G300-A-AL	G300-A-BR	G300-A-SS
4"	G400-A-AL	G400-A-BR	G400-A-SS
5"	G500-A-AL <sup>1</sup>	G500-A-BR <sup>1</sup>	---
6"	G600-A-AL	---	G600-A-SS
8"	G800-A-AL <sup>1</sup>	---	---

<sup>1</sup> does not interchange in the ½", 5", and 8" sizes with Dixon® or Boss-Lock™ style cam and groove



## Global Type E Adapter x Hose Shank

Size	A380 Permanent Mold AL Part #	ASTMC38000 Forged Brass Part #	316 Investment Cast SS Part #
½"	G50-E-AL <sup>1</sup>	G50-E-BR <sup>1</sup>	G50-E-SS
¾"	G75-E-AL	G75-E-BR	G75-E-SS
1"	G100-E-AL	G100-E-BR	G100-E-SS
1¼"	G125-E-AL	G125-E-BR	G125-E-SS
1½"	G150-E-AL	G150-E-BR	G150-E-SS
2"	G200-E-AL	G200-E-BR	G200-E-SS
2½"	G250-E-AL	G250-E-BR	G250-E-SS
3"	G300-E-AL	G300-E-BR	G300-E-SS
4"	G400-E-AL	G400-E-BR	G400-E-SS
5"	G500-E-AL <sup>1</sup>	G500-E-BR <sup>1</sup>	---
6"	G600-E-AL	---	G600-E-SS
8"	G800-E-AL <sup>1</sup>	---	---

<sup>1</sup> does not interchange in the ½", 5", and 8" sizes with Dixon® or Boss-Lock™ style cam and groove



## Global Type F Adapter x Male NPT

Size	A380 Permanent Mold AL Part #	ASTMC38000 Forged Brass Part #	316 Investment Cast SS Part #
½"	G50-F-AL <sup>1</sup>	G50-F-BR <sup>1</sup>	G50-F-SS
¾"	G75-F-AL	G75-F-BR	G75-F-SS
1"	G100-F-AL	G100-F-BR	G100-F-SS
1¼"	G125-F-AL	G125-F-BR	G125-F-SS
1½"	G150-F-AL	G150-F-BR	G150-F-SS
2"	G200-F-AL	G200-F-BR	G200-F-SS
2½"	G250-F-AL	G250-F-BR	G250-F-SS
3"	G300-F-AL	G300-F-BR	G300-F-SS
4"	G400-F-AL	G400-F-BR	G400-F-SS
5"	G500-F-AL <sup>1</sup>	G500-F-BR <sup>1</sup>	---
6"	G600-F-AL	---	G600-F-SS

<sup>1</sup> does not interchange in the ½" and 5" sizes with Dixon® or Boss-Lock™ style cam and groove



## Global Type DP Dust Plugs

Size	A380 Permanent Mold AL Part #	ASTMC38000 Forged Brass Part #	316 Investment Cast SS Part #
½"	<b>G50-DP-AL</b> <sup>1</sup>	<b>G50-DP-BR</b> <sup>1</sup>	<b>G50-DP-SS</b>
¾"	<b>G75-DP-AL</b>	<b>G75-DP-BR</b>	<b>G75-DP-SS</b>
1"	<b>G100-DP-AL</b>	<b>G100-DP-BR</b>	<b>G100-DP-SS</b>
1¼"	<b>G125-DP-AL</b>	<b>G125-DP-BR</b>	<b>G125-DP-SS</b>
1½"	<b>G150-DP-AL</b>	<b>G150-DP-BR</b>	<b>G150-DP-SS</b>
2"	<b>G200-DP-AL</b>	<b>G200-DP-BR</b>	<b>G200-DP-SS</b>
2½"	<b>G250-DP-AL</b>	<b>G250-DP-BR</b>	<b>G250-DP-SS</b>
3"	<b>G300-DP-AL</b>	<b>G300-DP-BR</b>	<b>G300-DP-SS</b>
4"	<b>G400-DP-AL</b>	<b>G400-DP-BR</b>	<b>G400-DP-SS</b>
5"	<b>G500-DP-AL</b> <sup>1</sup>	<b>G500-DP-BR</b> <sup>1</sup>	---
6"	<b>G600-DP-AL</b>	---	<b>G600-DP-SS</b>



<sup>1</sup> does not interchange in the ½" and 5" sizes with Dixon® or Boss-Lock™ style cam and groove

## Global Type B Coupler x Male NPT

Size	A380 Permanent Mold AL with Brass Handles Part #	ASTMC38000 Forged Brass Part #	316 Investment Cast Stainless Steel Part #	A380 Permanent Mold AL with SS Handles Part #
½"	<b>G50-B-AL</b> <sup>1,2</sup>	<b>G50-B-BR</b> <sup>1</sup>	<b>G50-B-SS</b>	---
¾"	<b>G75-B-AL</b> <sup>2</sup>	<b>G75-B-BR</b>	<b>G75-B-SS</b>	---
1"	<b>G100-B-AL</b>	<b>G100-B-BR</b>	<b>G100-B-SS</b>	---
1¼"	<b>G125-B-AL</b>	<b>G125-B-BR</b>	<b>G125-B-SS</b>	---
1½"	<b>G150-B-AL</b>	<b>G150-B-BR</b>	<b>G150-B-SS</b>	<b>G150-B-ALSI</b>
2"	<b>G200-B-AL</b>	<b>G200-B-BR</b>	<b>G200-B-SS</b>	<b>G200-B-ALSI</b>
2½"	<b>G250-B-AL</b>	<b>G250-B-BR</b>	<b>G250-B-SS</b>	---
3"	<b>G300-B-AL</b>	<b>G300-B-BR</b>	<b>G300-B-SS</b>	<b>G300-B-ALSI</b>
4"	<b>G400-B-AL</b>	<b>G400-B-BR</b>	<b>G400-B-SS</b>	<b>G400-B-ALSI</b>
5"	<b>G500-B-AL</b> <sup>1</sup>	<b>G500-B-BR</b> <sup>1</sup>	---	---
6"	<b>G600-B-AL</b>	---	<b>G600-B-SS</b>	---



<sup>1</sup> does not interchange in the ½" and 5" sizes with Dixon® or Boss-Lock™ style cam and groove

<sup>2</sup> supplied with stainless steel handles

## Global Type C Coupler x Hose Shank

Size	A380 Permanent Mold AL with Brass Handles Part #	ASTMC38000 Forged Brass Part #	316 Investment Cast Stainless Steel Part #	A380 Permanent Mold AL with SS Handles Part #
½"	<b>G50-C-AL</b> <sup>1,2</sup>	<b>G50-C-BR</b> <sup>1</sup>	<b>G50-C-SS</b>	---
¾"	<b>G75-C-AL</b> <sup>2</sup>	<b>G75-C-BR</b>	<b>G75-C-SS</b>	---
1"	<b>G100-C-AL</b>	<b>G100-C-BR</b>	<b>G100-C-SS</b>	---
1¼"	<b>G125-C-AL</b>	<b>G125-C-BR</b>	<b>G125-C-SS</b>	---
1½"	<b>G150-C-AL</b>	<b>G150-C-BR</b>	<b>G150-C-SS</b>	<b>G150-C-ALSI</b>
2"	<b>G200-C-AL</b>	<b>G200-C-BR</b>	<b>G200-C-SS</b>	<b>G200-C-ALSI</b>
2½"	<b>G250-C-AL</b>	<b>G250-C-BR</b>	<b>G250-C-SS</b>	---
3"	<b>G300-C-AL</b>	<b>G300-C-BR</b>	<b>G300-C-SS</b>	<b>G300-C-ALSI</b>
4"	<b>G400-C-AL</b>	<b>G400-C-BR</b>	<b>G400-C-SS</b>	<b>G400-C-ALSI</b>
5"	<b>G500-C-AL</b> <sup>1</sup>	<b>G500-C-BR</b> <sup>1</sup>	---	---
6"	<b>G600-C-AL</b>	---	<b>G600-C-SS</b>	---
8"	<b>G800-C-AL</b> <sup>1</sup>	---	---	---



<sup>1</sup> does not interchange in the ½", 5", and 8" sizes with Dixon® or Boss-Lock™ style cam and groove

<sup>2</sup> supplied with stainless steel handles

### Global Type D Coupler x Female NPT



Size	A380 Permanent Mold AL with Brass Handles Part #	ASTMC38000 Forged Brass Part #	316 Investment Cast SS Part #	A380 Permanent Mold AL with SS Handles Part #
1/2"	<b>G50-D-AL</b> <sup>1,2</sup>	<b>G50-D-BR</b> <sup>1</sup>	<b>G50-D-SS</b>	---
3/4"	<b>G75-D-AL</b> <sup>2</sup>	<b>G75-D-BR</b>	<b>G75-D-SS</b>	---
1"	<b>G100-D-AL</b>	<b>G100-D-BR</b>	<b>G100-D-SS</b>	---
1 1/4"	<b>G125-D-AL</b>	<b>G125-D-BR</b>	<b>G125-D-SS</b>	---
1 1/2"	<b>G150-D-AL</b>	<b>G150-D-BR</b>	<b>G150-D-SS</b>	<b>G150-D-ALSI</b>
2"	<b>G200-D-AL</b>	<b>G200-D-BR</b>	<b>G200-D-SS</b>	<b>G200-D-ALSI</b>
2 1/2"	<b>G250-D-AL</b>	<b>G250-D-BR</b>	<b>G250-D-SS</b>	---
3"	<b>G300-D-AL</b>	<b>G300-D-BR</b>	<b>G300-D-SS</b>	<b>G300-D-ALSI</b>
4"	<b>G400-D-AL</b>	<b>G400-D-BR</b>	<b>G400-D-SS</b>	<b>G400-D-ALSI</b>
5"	<b>G500-D-AL</b> <sup>1</sup>	<b>G500-D-BR</b> <sup>1</sup>	---	---
6"	<b>G600-D-AL</b>	---	<b>G600-D-SS</b>	---

<sup>1</sup> does not interchange in the 1/2" and 5" sizes with Dixon® or Boss-Lock™ style cam and groove  
<sup>2</sup> stainless steel handles

### Global Type DC Dust Caps



Size	A380 Permanent Mold AL with Brass Handles Part #	ASTMC38000 Forged Brass Part #	316 Investment Cast SS Part #	A380 Permanent Mold AL with SS Handles Part #
1/2"	<b>G50-DC-AL</b> <sup>1,2</sup>	<b>G50-DC-BR</b> <sup>1</sup>	<b>G50-DC-SS</b>	---
3/4"	<b>G75-DC-AL</b> <sup>2</sup>	<b>G75-DC-BR</b>	<b>G75-DC-SS</b>	---
1"	<b>G100-DC-AL</b>	<b>G100-DC-BR</b>	<b>G100-DC-SS</b>	---
1 1/4"	<b>G125-DC-AL</b>	<b>G125-DC-BR</b>	<b>G125-DC-SS</b>	---
1 1/2"	<b>G150-DC-AL</b>	<b>G150-DC-BR</b>	<b>G150-DC-SS</b>	<b>G150-DC-ALSI</b>
2"	<b>G200-DC-AL</b>	<b>G200-DC-BR</b>	<b>G200-DC-SS</b>	<b>G200-DC-ALSI</b>
2 1/2"	<b>G250-DC-AL</b>	<b>G250-DC-BR</b>	<b>G250-DC-SS</b>	---
3"	<b>G300-DC-AL</b>	<b>G300-DC-BR</b>	<b>G300-DC-SS</b>	<b>G300-DC-ALSI</b>
4"	<b>G400-DC-AL</b>	<b>G400-DC-BR</b>	<b>G400-DC-SS</b>	<b>G400-DC-ALSI</b>
5"	<b>G500-DC-AL</b> <sup>1</sup>	<b>G500-DC-BR</b> <sup>1</sup>	---	---
6"	<b>G600-DC-AL</b>	---	<b>G600-DC-SS</b>	---

<sup>1</sup> does not interchange in the 1/2" and 5" sizes with Dixon® or Boss-Lock™ style cam and groove  
<sup>2</sup> stainless steel handles

## Replacement Handle Assemblies for Global Couplers

### For Aluminum and Brass Global Couplers

**Features:**

- supplied complete with ring and pin
- only to be used on Dixon® global aluminum or brass couplers



Fits on sizes	Investment Stainless Part #
1/2" - 3/4"	<b>G75HRP</b>
1"	<b>G100HRP</b>
1 1/2" and 2"	<b>G152HRPSI</b>
3" and 4"	<b>G34HRPSI</b>
6"	<b>G600HRPSI</b>

Fits on sizes	Forged Brass Part #
1 1/4" - 2 1/2"	<b>G152HRP</b>
3" and 4"	<b>G34HRP</b>
6" and 8"	<b>G600HRP</b>

### For Stainless Steel Global Couplers

**Feature:**

- only to be used on Dixon® global stainless steel couplers



Fits on sizes	Investment Stainless Part #
3/4"	<b>G75HRPSS</b>
1"	<b>G100HRPSS</b>
1 1/4" - 2 1/2"	<b>G125250HRPSS</b>
3" and 4"	<b>G300400HRPSS</b>
6"	<b>G600HRPSS</b>

### Safety Clip for Global Couplers



Zinc Plated Carbon Steel  
Part #

**GSAFETYCLIP**

## Global Type DD Spool Couplers



Size	A380 Permanent Mold AL Part #	316 Investment Cast SS Part #
2"	<b>G200-DD-AL</b>	<b>G200-DD-SS</b>
3"	<b>G300-DD-AL</b>	<b>G300-DD-SS</b>
4"	<b>G400-DD-AL</b>	<b>G400-DD-SS</b>

## Global Type AA Spool Adapters



Size	A380 Permanent Mold AL Part #	316 Investment Cast SS Part #
1"	<b>G100-AA-AL</b>	---
1½"	<b>G150-AA-AL</b>	<b>G150-AA-SS</b>
2"	<b>G200-AA-AL</b>	<b>G200-AA-SS</b>
3"	<b>G300-AA-AL</b>	<b>G300-AA-SS</b>
4"	<b>G400-AA-AL</b>	<b>G400-AA-SS</b>

### jump size male spool adapter

Size	A380 Permanent Mold Aluminum Part #	316 Investment Cast SS Part #
1½" x 2"	<b>G1520-AA-AL</b>	---
2" x 3"	<b>G2030-AA-AL</b>	<b>G2030-AA-SS</b>
3" x 4"	<b>G3040-AA-AL</b>	---

## Global Jump Size Cam and Groove

### male adapter x female NPT



Size	A380 Permanent Mold Aluminum Part #
3" x 2"	<b>G3020-A-AL</b>
4" x 3"	<b>G4030-A-AL</b>

### female coupler x hose shank



Size	A380 Permanent Mold Aluminum Part #
3" x 2"	<b>G3020-C-AL</b>
4" x 3"	<b>G4030-C-AL</b>

### female coupler x male adapter



Size	A380 Permanent Mold Aluminum Part #	316 Investment Cast SS Part #
3" x 2"	<b>G3020-DA-AL</b>	<b>G3020-DA-SS</b>
3" X 4"	<b>G3040-DA-AL</b>	---
4" x 3"	<b>G4030-DA-AL</b>	<b>G4030-DA-SS</b>
5" x 4"	<b>G5040-DA-AL</b>	---
6" x 4"	<b>G6040-DA-AL</b>	---

### male adapter x hose shank

Size	A380 Permanent Mold Aluminum Part #
3" x 2"	<b>G3020-E-AL</b>
4" x 3"	<b>G4030-E-AL</b>

## Global Adapter x TTMA Flange



### Features:

- interchange with all products produced to A-A-59326D
- made to Dixon® specifications and branded Dixon®
- Buna seals are standard
- pressure rating for adapters is based on the seal of the mating part

Size	356T6 Aluminum Part #
4"	<b>G400-ALT-AL</b>




Size	356T6 Aluminum Part #
4"	<b>G400-DLT-AL</b>

- For flange dimensions, diagrams and additional information please reference [dixonvalve.com](http://dixonvalve.com).



## Polypropylene Adapters

 NOT recommended for use with PTFE gaskets

**Features:**

- manufactured from a glass-filled polypropylene
- maximum operating pressure: **125 PSI** (½" - 1"), **100 PSI** (1¼" - 2"), **60 PSI** (3") and **50 PSI** (4"); recommendations based on the use of mating Dixon® fittings at an ambient temperature of **70°F (21°C)** with standard seal installed
- ½" couplers and adapters will interchange with ¾" couplers and adapters, only the threads and barbs are ½"
- 1¼" couplers and adapters will interchange with 1½" couplers and adapters, only the threads and barbs are 1¼"
- polypropylene cam and groove should not be mixed with metal fittings

type A		
Size	Polypropylene Part #	Opt Qty
¾" x ½"	<b>PPA50</b>	25
¾"	<b>PPA75</b>	25
1"	<b>PPA100</b>	10
1½" x 1¼"	<b>PPA125</b>	10
1½"	<b>PPA150</b>	10
2"	<b>PPA200</b>	10
3"	<b>PPA300</b>	10
4"	<b>PPA400</b>	10



male adapter x female NPT

type F		
Size	Polypropylene Part #	Opt Qty
¾" x ½"	<b>PPF50</b>	10
¾"	<b>PPF75</b>	10
1"	<b>PPF100</b>	10
1½" x 1¼"	<b>PPF125</b>	10
1½"	<b>PPF150</b>	10
2"	<b>PPF200</b>	10
3"	<b>PPF300</b>	10
4"	<b>PPF400</b>	10



male adapter x male NPT

type E		
Size	Polypropylene Part #	Opt Qty
¾" x ½"	<b>PPE50</b>	10
¾"	<b>PPE75</b>	10
1"	<b>PPE100</b>	10
1½" x 1¼"	<b>PPE125</b>	10
1½"	<b>PPE150</b>	10
2"	<b>PPE200</b>	10
3"	<b>PPE300</b>	10
4"	<b>PPE400</b>	10



male adapter x hose shank

type P <sup>1</sup>		
Size	Polypropylene Part #	Opt Qty
¾"	<b>PPP75</b>	25
1"	<b>PPP100</b>	10
1½"	<b>PPP150</b>	10
2"	<b>PPP200</b>	10
3"	<b>PPP300</b>	10
4"	<b>PPP400</b>	10



dust plug<sup>1</sup>




4" plug has a different design

<sup>1</sup> Dust caps and dust plugs are not to be used in pressure applications for safety and environmental reasons.

## Polypropylene Adapter Elbows

**Features:**

- maximum operating pressure: **100 PSI** (1½" - 2"); recommendations based on the use of mating Dixon® fittings at an ambient temperature of **70°F (21°C)** with standard seal installed
- manufactured from a glass-filled polypropylene
- for use at elevated temperatures or other unusual operating conditions, consult Dixon® 

90° Elbow x FNPT		
Size	Polypropylene Part #	Opt Qty
1½"	<b>90PPA150</b>	10
2"	<b>90PPA200</b>	10



male adapter x female NPT

90° Elbow x MNPT		
Size	Polypropylene Part #	Opt Qty
1½"	<b>90PPF150</b>	10
2"	<b>90PPF200</b>	10



male adapter x male NPT

## Polypropylene Couplers



NOT recommended for use with PTFE gaskets

**Features:**

- manufactured from a glass-filled polypropylene
- supplied with EPDM gaskets, 304 stainless steel handles and pins
- polypropylene cam and groove should not be mixed with metal fittings
- maximum operating pressure: **125 PSI** (½" - 1"), **100 PSI** (1¼" - 2"), **60 PSI** (3") and **50 PSI** (4"); recommendations based on the use of mating Dixon® fittings at an ambient temperature of **70°F (21°C)** with standard seal installed
- ½" couplers and adapters will interchange with ¾" couplers and adapters, only the threads and barbs are ½"
- 1¼" couplers and adapters will interchange with 1½" couplers and adapters, only the threads and barbs are 1¼"
- replacements: gasket use EPR on page 64, key rings use **R200SS** on page 62, safety clip use **GSAFETYCLIP** on page 37



female coupler x female NPT

type D		
Size	Polypropylene Part #	Opt Qty
¾" x ½"	<b>PPD50</b>	10
¾"	<b>PPD75</b>	10
1"	<b>PPD100</b>	10
1½" x 1¼"	<b>PPD125</b>	10
1½"	<b>PPD150</b>	10
2"	<b>PPD200</b>	10
3"	<b>PPD300</b>	10
4"	<b>PPD400<sup>2</sup></b>	5



female coupler x male NPT

type B		
Size	Polypropylene Part #	Opt Qty
¾" x ½"	<b>PPB50</b>	10
¾"	<b>PPB75</b>	10
1"	<b>PPB100</b>	10
1½" x 1¼"	<b>PPB125</b>	10
1½"	<b>PPB150</b>	10
2"	<b>PPB200</b>	10
3"	<b>PPB300</b>	5
4"	<b>PPB400<sup>2</sup></b>	5



female coupler x hose shank

type C		
Size	Polypropylene Part #	Opt Qty
¾" x ½"	<b>PPC50</b>	10
¾"	<b>PPC75</b>	10
1"	<b>PPC100</b>	10
1½" x 1¼"	<b>PPC125</b>	10
1½"	<b>PPC150</b>	10
2"	<b>PPC200</b>	10
3"	<b>PPC300</b>	5
4"	<b>PPC400<sup>2</sup></b>	5



dust cap<sup>1</sup>



4" cap has 4 handles

type H <sup>1</sup>		
Size	Polypropylene Part #	Opt Qty
¾"	<b>PPH75</b>	10
1"	<b>PPH100</b>	10
1½"	<b>PPH150</b>	10
2"	<b>PPH200</b>	10
3"	<b>PPH300</b>	10
4"	<b>PPH400<sup>2</sup></b>	10

<sup>1</sup> Dust caps and dust plugs are not to be used in pressure applications for safety and environmental reasons.

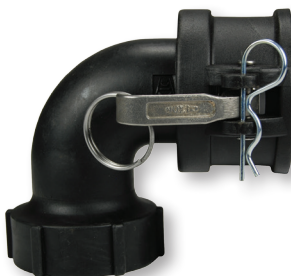
<sup>2</sup> 4" coupler has 4 handles



## Polypropylene Coupler Elbows

**Features:**

- manufactured from a glass-filled polypropylene
- supplied with EPDM gaskets, 304 stainless steel handles and pins
- maximum operating pressure: **100 PSI** (1½" - 2"); recommendations based on the use of mating Dixon® fittings at an ambient temperature of **70°F (21°C)** with standard seal installed
- for use at elevated temperatures or other unusual operating conditions, consult Dixon®.



female coupler x female NPT

FNPT x 90° Elbow		
Size	Polypropylene Part #	Opt Qty
1½"	<b>90PPD150</b>	10
2"	<b>90PPD200</b>	10



female coupler x hose shank

Hose Shank x 90° Elbow		
Size	Polypropylene Part #	Opt Qty
1½"	<b>90PPC150</b>	10
2"	<b>90PPC200</b>	10

## Swaged Cam and Groove

### Applications:

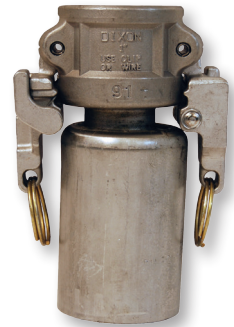
- Developed specifically for chemical transport hoses having Crosslinked Polyethylene (XLPE) or Ultra High Molecular Weight Polyethylene (UHMW) tubes. Swaged Boss-Lock provides you with a permanently attached cam and groove fitting when superior coupling retention is required.

### Features:

- in testing tank transport hoses from a wide variety of manufacturers, the swaged Boss-Lock™ fitting proved itself to be the clear winner in overall performance
- also available on special order for other sizes or hose OD's, consult Dixon® for pricing and availability
- special equipment required for installation*, consult Dixon® for more information

### EZ Boss-Lock™ type C coupler x hose shank with ferrule

Size	Hose OD		316 Stainless Steel Part #
	from	to	
¾"	1-6/64"	1-22/64"	<b>RC075EZ-70</b>
1"	1-29/64"	1-35/64"	<b>RC100EZ-20</b>
1"	1-36/64"	1-44/64"	<b>RC100EZ-70</b>



### Boss-Lock™ type E adapter a hose shank with ferrule

Size	Hose OD		316 Stainless Steel Part #
	from	to	
¾"	1-6/64"	1-22/64"	<b>RE075-1370</b>
1"	1-29/64"	1-35/64"	<b>RE100-1620</b>
1"	1-36/64"	1-44/64"	<b>RE100-1770</b>



## Notched Ferrules

Size	Hose OD		304 Stainless Steel Part #
	from	to	
1½"	1-60/64"	2-12/64"	<b>GAS2334NO</b>
1½"	2-4/64"	2-22/64"	<b>GAS2370NO</b>
2"	2-30/64"	2-44/64"	<b>GAS2709NO</b>
2"	2-42/64"	2-54/64"	<b>GAS2885NO</b>
3"	3-30/64"	3-46/64"	<b>GAS3760NO</b>
3"	3-47/64"	3-54/64"	<b>GAS3885NO</b>
4"	4-40/64"	4-47/64"	<b>GAS5010NO</b>



Dixon® stems and ferrules are specifically designed to be used together as a coupling system.

Due to differences in dimensions and tolerances for safety reasons, do not use other manufacturer's stems or ferrules with Holedall™ products.

## Notched Cam and Groove

**Features:**

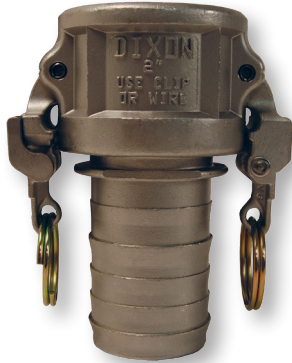
- coupling can be removed from a damaged hose by cutting away the ferrule, without necessarily damaging the fitting, *after inspection of the fitting to determine its suitability for reuse*, it can be reinstalled into another hose by using a *new ferrule*
- system allows you to better manage your inventories, you can stock one coupling and two ferrules, and cover the same hose range with less inventory, *you must purchase a fitting and the matching ferrule to create an assembly*
- for use with notched ferrules on previous page



Dixon® stems and ferrules are specifically designed to be used together as a coupling system. Due to differences in dimensions and tolerances for safety reasons, do not use other manufacturer's stems or ferrules with Dixon® products.

### Couplers

#### EZ Boss-Lock™ type C coupler x notched hose shank

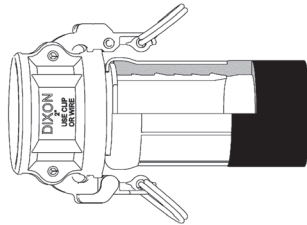


Size	316 Stainless Steel Part #
1½"	<b>RC150EZNO</b>
2"	<b>RC200EZNO</b>
3"	<b>RC300EZNO</b>
4"	<b>RC400EZNO</b>

#### Boss-Lock™ type C coupler x notched hose shank

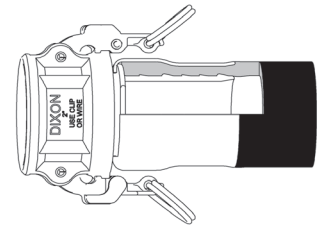


Size	316 Stainless Steel Part #
1½"	<b>RC150BLNO</b>
2"	<b>RC200BLNO</b>
3"	<b>RC300BLNO</b>
4"	<b>RC400BLNO</b>



crimped assembly

Contact Dixon® for swage and crimp recommendations.



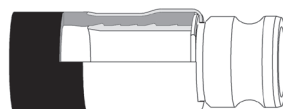
swaged assembly

### Adapters

#### Boss-Lock™ type E adapter x notched hose shank

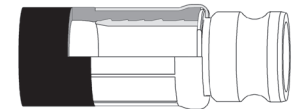


Size	316 Stainless Steel Part #
1½"	<b>RE150NO</b>
2"	<b>RE200NO</b>
3"	<b>RE300NO</b>
4"	<b>RE400NO</b>



swaged assembly

Contact Dixon® for swage and crimp recommendations.



crimped assembly

## Dixon® Cam and Groove with Notched NOS Shank

### Features:

- system allows you to better manage your inventories, you can stock one stem and two ferrules, and cover the same hose range with less inventory, *you must purchase a fitting and the matching ferrule to create an assembly*
- for hose outside diameters of 2-4/64" and below, *the couplings are crimp only*
- for hose outside diameters of 2-5/64" and above, the couplings can be crimped or swaged
- for use with notched ferrules at bottom of the page



**Only use the NOS shank with the NOS ferrules.**

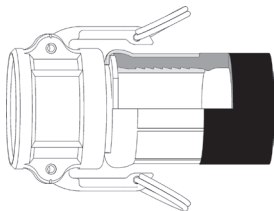
Due to differences in dimensions and tolerances for safety reasons, do not use other manufacturer's stems or ferrules with Dixon® products.

### Couplers

#### Dixon® type C coupler x notched NOS hose shank

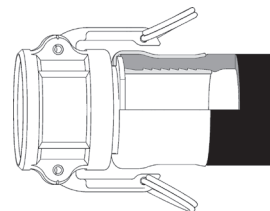
Size	316 Stainless Steel Part #
1½"	<b>150CNOSSS</b> <sup>1</sup>
2"	<b>200CNOSSS</b>
3"	<b>300CNOSSS</b>

<sup>1</sup> part will be discontinued as stock is depleted



crimped assembly

Contact Dixon® for swage and crimp recommendations.



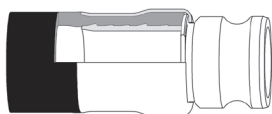
swaged assembly

### Adapters

#### type E adapter x notched NOS hose shank

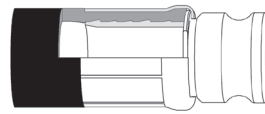
Size	316 Stainless Steel Part #
1½"	<b>150ENOSSS</b> <sup>1</sup>
2"	<b>200ENOSSS</b>
3"	<b>300ENOSSS</b>

<sup>1</sup> part will be discontinued as stock is depleted



swaged assembly

Contact Dixon® for swage and crimp recommendations.



crimped assembly

### Notched NOS Ferrules

Size	Hose OD		304 Stainless Steel Part #
	from	to	
1½"	1-60/64"	2-12/64"	<b>GAS2334NOS</b>
1½"	2-4/64"	2-22/64"	<b>GAS2370NOS</b>
2"	2-30/64"	2-44/64"	<b>GAS2709NOS</b>
2"	2-42/64"	2-54/64"	<b>GAS2885NOS</b>
3"	3-30/64"	3-46/64"	<b>GAS3760NOS</b>
3"	3-47/64"	3-54/64"	<b>GAS3885NOS</b>



## Dixon® Tank Car Adapters



Stainless steel adapters are not compatible with the aluminum and brass adapters.

**Features:**

- standard 5" Railroad Tank Car thread
- supplied with a Buna-N gasket in the threaded end, for additional gaskets see pages 65-67



Size	356T6 Aluminum Part #	Brass Part #	Iron Part #	316 Stainless Steel Part #
2"	<b>200-TCA-AL</b>	---	---	<b>200-TCA-SS</b>
3"	<b>300-TCA-AL</b>	<b>300-TCA-BR</b>	<b>300-TCA-MI</b>	<b>300-TCA-SS</b>
4"	<b>400-TCA-AL</b>	<b>400-TCA-BR</b>	---	<b>400-TCA-SS</b>

**Features:**

- standard 5" Railroad Tank Car thread
- 45° tank car swivel adapter
- unit has a long handle brass swivel nut and a swivel retaining ring
- supplied with a Buna-N gasket in the threaded end, see pages 65-67



Size	356T6 Aluminum Part #
4"	<b>40A-45TCAL</b>

## Dixon® Railroad Tank Car Connections

**Features:**

- all swivel nuts have standard 5" Railroad Tank Car thread
- supplied with a Buna-N gasket in the threaded end, other gaskets available on pages 65-67
- also available in other materials and in 2" and 2½" sizes, consult Dixon® for pricing and availability

### Style A

Stainless steel railroad tank car connections are not compatible with aluminum and brass.



Male Adapter	Swivel Nut	Elbow	316 Stainless Steel Part #	Aluminum Part #
3"	5"	120°	<b>RTCA30</b>	---
4"	5"	110°	<b>RTCA40<sup>1</sup></b>	<b>ATCA40</b>

### Style F

**Features:**

- 4" TTMA flange can be bolted to sight glass; API adapter or other dry disconnect
- 110° elbow
- supplied with PTFE Buna-N envelope gasket



TTMA Flange	Swivel Nut	Aluminum Part #
4"	5"	<b>ATCF40<sup>1</sup></b>
4"	5"	<b>ATCF40-90</b>

<sup>1</sup> part is produced as a welded fabrication

### Style GF

**Features:**

- 4" TTMA flange can be bolted to sight glass; API adapter or other dry disconnect
- 110° elbow



TTMA Flange	Boss-lock™ Coupler	Aluminum Part #
4"	4"	<b>ATCGF40</b>
4"	4"	<b>ATCGF40-90</b>

## Cam and Groove Screen

**Feature:**

- stainless steel screen encapsulated in a buna gasket



Size	Hole Size	316L Stainless Steel Part #
4"	1"	<b>400-G-BUSS</b>

## Dixon® Railroad Tank Car Connections

### Style S

**Feature:**

- 110° elbow

Shank Size	Swivel Nut	Aluminum Part #
4"	5"	<b>ATCS40</b>



### Style T


**Features:**

- 3" threaded end has a 120° elbow
- 4" threaded end has a 110° elbow

Male NPT	Swivel Nut	Iron Part #	Aluminum Part #
3"	5"	<b>TCT30</b>	<b>ATCT30</b>
4"	5"	<b>TCT40</b>	<b>ATCT40</b>



### Style T

Stainless steel railroad tank car connections are not compatible with aluminum and brass. 

**Features:**

- 3" threaded end has a 120° elbow
- 4" threaded end has a 110° elbow

Male NPT	Swivel Nut	316 Stainless Steel Part #
3"	5"	<b>RTCT30</b>
4"	5"	<b>RTCT40</b>



## Dixon® Coupler x Tank Car Thread

**Features:**

- part is produced as a welded fabrication
- pressure rating is based on the seal of the mating part, see ratings on page 6

Coupler	Male Tank Car Thread	Aluminum Part #
4"	5"	<b>400DWX5TC</b>



## EZ Boss-Lock™ x Coupler Tank Car Thread

**Features:**

- part is produced as a welded fabrication
- pressure rating is based on the seal of the mating part, see ratings on page 6

Coupler	Male Tank Car Thread	Aluminum Part #
4"	5"	<b>AD400ALEZMTC</b>



## Cam and Groove x Cam and Groove Elbows

**Feature:**

- supplied standard with a Buna-N gasket, other gaskets available on pages 65-67

### 45° Elbows

#### adapter x coupler



Size	356T6 Aluminum Part #	316 Stainless Steel Part #	Unplated Malleable Iron Part #
2"	<b>200DA-45AL</b> <sup>1</sup>	<b>200DA-45SS</b> <sup>1</sup>	---
3"	<b>300DA-45AL</b>	<b>300DA-45SS</b> <sup>1</sup>	---
4"	<b>400DA-45AL</b>	<b>400DA-45SS</b> <sup>1</sup>	<b>400DA-45MI</b>
6"	<b>600DA-45AL</b>	---	---

<sup>1</sup> parts are produced as a welded fabrication

#### coupler x coupler



Size	356T6 Aluminum Part #	316 Stainless Steel Part #
2"	<b>200DD-45AL</b> <sup>1</sup>	---
3"	<b>300DD-45AL</b> <sup>1</sup>	<b>300DD-45SS</b> <sup>1</sup>
4"	<b>400DD-45AL</b>	---
6"	<b>600DD-45AL</b> <sup>1</sup>	---

- parts are produced as a welded fabrication

### 90° Elbows

#### adapter x coupler



RDA90600EZ

Size	356T6 Aluminum Part #	316 Stainless Steel Part #
1"	---	<b>100DA-90SS</b> <sup>1</sup>
1½"	<b>150DA-90AL</b> <sup>1</sup>	<b>150DA-90SS</b> <sup>1</sup>
2"	<b>200DA-90AL</b>	<b>200DA-90SS</b>
3"	<b>300DA-90AL</b>	<b>300DA-90SS</b>
4"	<b>400DA-90AL</b>	<b>400DA-90SS</b>
5"	<b>500DA-90AL</b> <sup>1</sup>	---
6"	<b>600DA-90AL</b>	<b>RDA90600EZ</b> <sup>1,2</sup>

<sup>1</sup> parts are produced as a welded fabrication

<sup>2</sup> EZ Boss-Lock™ design

#### coupler x coupler 90° elbow



Size	356T6 Aluminum Part #	316 Stainless Steel Part #
2"	<b>200DD-90AL</b>	---
3"	<b>300DD-90AL</b> <sup>1</sup>	<b>300DD-90SS</b> <sup>1</sup>
4"	<b>400DD-90AL</b>	---
6"	<b>600DD-90AL</b>	---

<sup>1</sup> parts are produced as a welded fabrication



## Cam and Groove Elbows

### Type A

**Feature:**

- pressure rating is based on the seal of the mating part, see ratings on page 6

#### male adapter x female NPT 90° elbow

Size	356T6 Aluminum Part #	316 Stainless Steel Part #
1½"	<b>150A-90AL</b>	---
2"	<b>200A-90AL</b>	<b>200A-90SS</b> <sup>1</sup>
3"	<b>300A-90AL</b>	<b>300A-90SS</b>
4"	<b>400A-90AL</b>	---

- Couplers are supplied standard with a Buna-N gasket



### Type D

**Feature:**

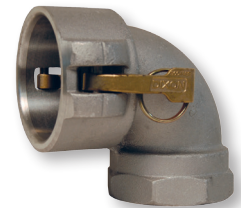
- supplied standard with a Buna-N gasket, other gaskets available on pages 65-67

#### female coupler x female NPT 90° elbow

Size	356T6 Aluminum Part #	Brass Part #	316 Stainless Steel Part #
1"	---	---	<b>100D-90SS</b>
1¼"	---	<b>125D-90BR</b>	---
1½"	<b>150D-90AL</b>	<b>150D-90BR</b>	---
2"	<b>200D-90AL</b>	<b>200D-90BR</b>	<b>200D-90SS</b>
3"	<b>300D-90AL</b>	---	<b>300D-90SS</b>
4"	<b>400D-90AL</b>	---	<b>400D-90SS</b> <sup>1</sup>
4"	<b>AD90400EZ</b> <sup>2</sup>	---	---
6"	<b>600D-90AL</b>	---	---

<sup>1</sup> parts are produced as a welded fabrication

<sup>2</sup> EZ Boss-Lock™ design (not pictured)



### Type E

**Feature:**

- pressure rating is based on the seal of the mating part, see ratings on page 6

#### male adapter x hose shank 90° elbow

Size	356T6 Aluminum Part #	316 Stainless Steel Part #
2"	---	<b>200E-90SS</b> <sup>1</sup>
3"	<b>300E-90AL</b>	<b>300E-90SS</b>
4"	<b>400E-90AL</b>	<b>400E-90SS</b> <sup>1</sup>

<sup>1</sup> parts are produced as a welded fabrication



### Type C

**Feature:**

- supplied standard with a Buna-N gasket, other gaskets available on pages 65-67

#### female coupler x hose shank 90° elbow

Size	356T6 Aluminum Part #	Brass Part #	316 Stainless Steel Part #
1¼"	---	<b>125C-90BR</b>	---
½"	<b>150C-90AL</b>	---	<b>150C-90SS</b>
2"	<b>200C-90AL</b>	<b>200C-90BR</b>	<b>200C-90SS</b>
3"	<b>300C-90AL</b>	---	<b>300C-90SS</b>
4"	<b>400C-90AL</b>	---	<b>400C-90SS</b> <sup>1</sup>
6"	<b>600C-90AL</b>	---	---

<sup>1</sup> part is produced as a welded fabrication



## Cam and Groove Elbows Type F



**Feature:**

- pressure rating is based on the seal of the mating part, see ratings on page 6

### male adapter x male NPT 90° elbow

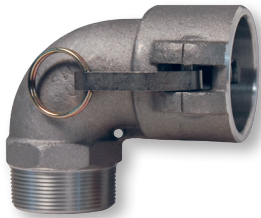
Size	356T6 Aluminum	316 Stainless Steel
	Part #	Part #
1½"	<b>150F-90AL</b>	---
2"	<b>200F90AL</b>	<b>200F-90SS</b> <sup>1</sup>
3"	---	<b>300F-90SS</b> <sup>1</sup>

<sup>1</sup> parts are produced as a welded fabrication

## Type B

**Feature:**

- supplied standard with a Buna-N gasket, other gaskets available on pages 65-67



### female coupler x male NPT 90° elbow

Size	356T6 Aluminum	316 Stainless Steel
	Part #	Part #
1½"	<b>150B-90AL</b>	---
2"	<b>200B-90AL</b>	<b>200B-90SS</b> <sup>1</sup>
3"	---	<b>300B-90SS</b> <sup>1</sup>

<sup>1</sup> parts are produced as a welded fabrication

## Reducing Cam and Groove Couplings

### Type A

**Feature:**

- pressure rating is based on the seal of the mating part, see ratings on page 6



### male adapter x female NPT

Size	356T6 Aluminum	Opt Qty	316 Stainless Steel	Opt Qty
	Part #		Part #	
2" x 1½"	<b>2015-A-AL</b>	---	<b>2015-A-SS</b> <sup>1</sup>	--
2" x 3"	<b>2030-A-AL</b>	10	<b>2030-A-SS</b>	10
3" x 2"	<b>3020-A-AL</b>	5	<b>3020-A-SS</b>	10
3" x 4"	<b>3040-A-AL</b>	10	---	--
4" x 3"	<b>4030-A-AL</b>	10	<b>4030-A-SS</b> <sup>1</sup>	--
4" x 6"	<b>4060-A-AL</b>	5	---	--
6" x 4"	<b>6040-A-AL</b>	5	<b>6040-A-SS</b> <sup>1</sup>	--

<sup>1</sup> parts are produced as a welded fabrication

### Type D

**Feature:**

- supplied standard with a Buna-N gasket, other gaskets available on pages 65-67



### female coupler x female NPT

Size	356T6 Aluminum	Opt Qty	Brass	316 Stainless Steel
	Part #		Part #	Part #
1½" x 1"	<b>1510-D-AL</b>	10	---	<b>1510-D-SS</b> <sup>1</sup>
2" x 1½"	<b>2015-D-AL</b>	10	---	<b>2015-D-SS</b>
3" x 2"	<b>3020-D-AL</b>	10	---	<b>3020-D-SS</b>
4" x 3"	<b>4030-D-AL</b>	10	<b>4030-D-BR</b>	<b>4030-D-SS</b> <sup>1</sup>
5" x 4"	<b>5040-D-AL</b> <sup>1</sup>	---	---	---
6" x 4"	<b>6040-D-AL</b> <sup>1</sup>	---	---	---

<sup>1</sup> parts are produced as a welded fabrication

## Reducing Cam and Groove Couplings

In reducing couplings, the cam and groove end is the first size given in the part number i.e., a 4030-B-AL is a 4" coupler to a 3" male NPT).

### Type E

**Feature:**

- pressure rating is based on the seal of the mating part, see ratings on page 6

**male adapter x hose shank**

Size	356T6 Aluminum Part #	Opt Qty	316 Stainless Steel Part #
1½" x 1"	---	---	<b>1510-E-SS</b>
2" x 1½"	<b>2015-E-AL</b> <sup>1</sup>	---	<b>2015-E-SS</b> <sup>1</sup>
3" x 2"	---	---	<b>3020-E-SS</b> <sup>1</sup>
3" x 2½"	---	---	<b>3025-E-SS</b>
4" x 3"	<b>4030-E-AL</b>	10	<b>4030-E-SS</b> <sup>1</sup>
5" x 4"	<b>5040-E-AL</b> <sup>1</sup>	---	---



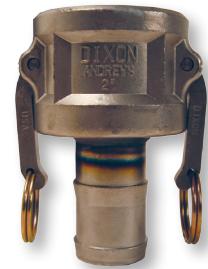
### Type C

**Feature:**

- supplied standard with a Buna-N gasket, other gaskets available on pages 65-67

**female coupler x hose shank**

Size	356T6 Aluminum Part #	Opt Qty	316 Stainless Steel Part #
1½" x 1"	---	---	<b>1510-C-SS</b>
2" x 1½"	<b>2015-C-AL</b> <sup>1</sup>	---	<b>2015-C-SS</b> <sup>1</sup>
3" x 2"	<b>3020-C-AL</b>	10	<b>3020-C-SS</b>
3" x 2½"	---	---	<b>3025-C-SS</b>
3" x 4"	<b>3040-C-AL</b>	5	---
4" x 3"	<b>4030-C-AL</b>	5	<b>4030-C-SS</b> <sup>1</sup>
5" x 4"	<b>5040-C-AL</b> <sup>1</sup>	---	---



<sup>1</sup> parts are produced as a welded fabrication

### Type F

**Feature:**

- pressure rating is based on the seal of the mating part, see ratings on page 6

**male adapter x male NPT**

Size	356T6 Aluminum Part #	Opt Qty	316 Stainless Steel Part #
1½" x 2"	<b>1520-F-AL</b>	---	---
2" x 1½"	<b>2015-F-AL</b>	---	<b>2015-F-SS</b> <sup>1</sup>
2" x 3"	<b>2030-F-AL</b>	---	---
3" x 1½"	<b>3015-F-AL</b>	10	<b>3015-F-SS</b> <sup>1</sup>
3" x 2"	<b>3020-F-AL</b>	10	<b>3020-F-SS</b>
3" x 4"	<b>3040-F-AL</b>	10	---
4" x 3"	<b>4030-F-AL</b>	10	<b>4030-F-SS</b>



<sup>1</sup> parts are produced as a welded fabrication

### Type B

**Feature:**

- supplied standard with a Buna-N gasket, other gaskets available on pages 65-67

**female coupler x male NPT**

Size	356T6 Aluminum Part #	Opt Qty	316 Stainless Steel Part #
1½" x 1"	<b>1510-B-AL</b>	10	<b>1510-B-SS</b> <sup>1</sup>
2" x 1½"	<b>2015-B-AL</b>	10	<b>2015-B-SS</b> <sup>1</sup>
2" x 3"	<b>2030-B-AL</b>	---	---
3" x 2"	<b>3020-B-AL</b>	10	<b>3020-B-SS</b> <sup>1</sup>
3" x 4"	<b>3040-B-AL</b>	10	---
4" x 3"	<b>4030-B-AL</b>	5	<b>4030-B-SS</b> <sup>1</sup>



<sup>1</sup> parts are produced as a welded fabrication

## Dixon® Reducing Cam and Groove Couplings

In reducing cam and groove couplings, the coupler is the first size in the part number; (i.e., a 4030-DA-AL is a 4" coupler to a 3" adapter).

**Feature:**

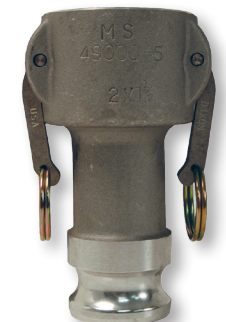
- supplied standard with a Buna-N gasket, other gaskets available on pages 65-67



3" coupler x 1½" adapter



4" coupler x 6" adapter



3" coupler x 2½" adapter




5" coupler x 6" adapter

**coupler x adapter**

Size	356T6 Aluminum Part #	Opt Qty	316 Stainless Steel Part #
1" x 1½"	1015-DA-AL <sup>1</sup>	---	1015-DA-SS <sup>1</sup>
1½" x 1"	1510DAAL	---	1510-DA-SS <sup>1</sup>
1½" x 2"	1520-DA-AL	10	1520-DA-SS
2" x 1"	2010-DA-AL	---	2010-DA-SS
2" x 1½"	2015-DA-AL	10	2015-DA-SS
2" x 2½"	2025-DA-AL <sup>1</sup>	---	2025-DA-SS <sup>1</sup>
2" x 3"	2030-DA-AL	5	2030-DA-SS
2" x 4"	2040-DA-AL	---	2040-DA-SS <sup>1</sup>
2½" x 2"	---	---	2520-DA-SS <sup>1</sup>
2½" x 3"	---	---	2530-DA-SS <sup>1</sup>
3" x 1½"	3015-DA-AL	---	3015-DA-SS <sup>1</sup>
3" x 2"	3020-DA-AL	10	3020-DA-SS
3" x 2½"	3025-DA-AL <sup>1</sup>	---	3025-DA-SS <sup>1</sup>
3" x 4"	3040-DA-AL	5	3040-DA-SS
3" x 6"	3060-DA-AL <sup>1</sup>	---	3060-DA-SS <sup>1</sup>
4" x 2"	4020-DA-AL	5	4020-DA-SS <sup>1</sup>
4" x 2½"	4025-DA-AL	---	4025-DA-SS <sup>1</sup>
4" x 3"	4030-DA-AL	5	4030-DA-SS
4" x 5"	4050-DA-AL	2	---
4" x 6"	4060-DA-AL	2	4060-DA-SS <sup>1</sup>
5" x 3"	5030-DA-AL <sup>1</sup>	2	5030-DA-SS <sup>1</sup>
5" x 4"	5040-DA-AL	2	5040-DA-SS <sup>1</sup>
5" x 6"	5060-DA-AL <sup>1</sup>	---	5060-DA-SS
6" x 3"	6030-DA-AL	2	6030-DA-SS <sup>1</sup>
6" x 4"	6040-DA-AL	2	6040-DA-SS
6" x 5"	6050-DA-AL	---	6050-DA-SS <sup>1</sup>
8" x 6"	8060-DA-AL <sup>1,2</sup>	---	---

<sup>1</sup> parts are produced as a welded fabrication

<sup>2</sup> The 8" coupler only has 2 cam arms and *only interchanges with Dixon® adapters.* 

**coupler x adapter**

Size	Brass Part #	Opt Qty	Unplated Malleable Iron Part #	Opt Qty
3" x 2"	3020-DA-BR	10	3020-DA-MI	10
3" x 4"	3040-DA-BR	5	---	---
4" x 3"	4030-DA-BR	2	4030-DA-MI	---
6" x 4"	6040-DA-BR	---	6040-DA-MI	---

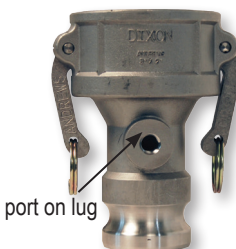
### Coupler x Adapter with Port



port on lug

Size	Port	316 Stainless Steel Part #
3" x 3"	¼"	300DAT25SS
3" x 3"	⅜"	300DAT38SS
3" x 3"	½"	300DAT50SS
3" x 3"	¾"	300DAT75SS

### Reducing Coupler x Adapter with Port



port on lug

Size	Port	316 Stainless Steel Part #
3" x 2"	¼"	3020DAT25SS
3" x 2"	⅜"	3020DAT38SS
3" x 2"	½"	3020DAT50SS
3" x 2"	¾"	3020DAT75SS

## Boss-Lock™ Reducing Cam and Groove Couplings

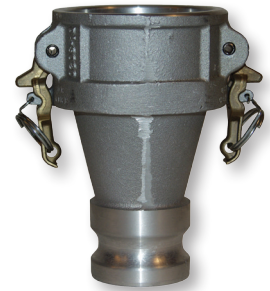
In reducing cam and groove couplings, the coupler is the first size in the part number; (i.e., a ADA4030 is a 4" coupler to a 3" adapter).


### Feature:

- supplied standard with a Buna-N gasket, other gaskets available on pages 65-67

#### coupler x adapter

Size	356T6 Aluminum Part #	316 Stainless Steel Part #	Opt Qty
2" x 3"	ADA2030 <sup>1</sup>	RDA2030BL <sup>1</sup>	10
2½" x 2"	ADA2520 <sup>1</sup>	---	--
2½" x 3"	ADA2530 <sup>1</sup>	---	--
3" x 2"	ADA3020	RDA3020BL	10
3" x 4"	ADA3040 <sup>1</sup>	RDA3040BL <sup>1</sup>	10
4" x 2"	ADA4020 <sup>1</sup>	RDA4020BL <sup>1</sup>	10
4" x 3"	ADA4030	RDA4030BL	10
6" x 4"	ADA6040 <sup>1</sup>	---	--
8" x 6"	ADA8060 <sup>1,2</sup>	---	--



-  <sup>1</sup> parts are produced as a welded fabrication  
<sup>2</sup> The 8" coupler only interchanges with 8" Boss-Lock™ couplings.

## EZ Boss-Lock™ Reducing Cam and Groove Couplings

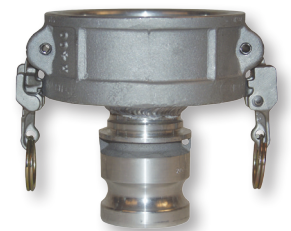
In reducing cam and groove couplings, the coupler is the first size in the part number; (i.e., a ADA4030EZ is a 4" coupler to a 3" adapter).

### Feature:

- supplied standard with a Buna-N gasket, other gaskets types available on pages 65-67

#### coupler x adapter

Size	356T6 Aluminum Part #	316 Stainless Steel Part #
2" x 3"	ADA2030EZ <sup>1</sup>	RDA2030EZ <sup>1</sup>
3" x 2"	ADA3020EZ	RDA3020EZ
3" x 4"	ADA3040EZ <sup>1</sup>	RDA3040EZ <sup>1</sup>
4" x 2"	ADA4020EZ <sup>1</sup>	RDA4020EZ <sup>1</sup>
4" x 3"	ADA4030EZ	RDA4030EZ
6" x 4"	ADA6040EZ <sup>1</sup>	RDA6040EZ



- <sup>1</sup> parts are produced as a welded fabrication

## Dixon® Lockable Dust Caps

### Features:

- supplied standard with a Buna-N gasket, other gaskets available on pages 65-67
- Dust caps and dust plugs are not to be used in pressure applications for safety and environmental reasons.



Size	356T6 Aluminum Part #	Opt Qty	Brass Part #	Opt Qty
1½"	150DC-LAL	10	150DC-LBR	10
2"	200DC-LAL	10	200DC-LBR	10
3"	300DC-LAL	10	300DC-LBR	10
4"	400DC-LAL	10	---	---
6"	600DC-LAL	2	---	---



### Feature:

- angled, ergonomic thumb release

Size	316 Stainless Steel Part #
1½"	150DC-LSS
2"	200DC-LSS
3"	300DC-LSS
4"	400DC-LSS



### Dixon® Spool Adapters

**Feature:**

- pressure rating is based on the seal of the mating part, see ratings on page 6  
**adapter x adapter**



increaser / reducer



same size

Size	356T6 Aluminum Part #	316 Stainless Steel Part #
1"	---	<b>100-AA-SS</b>
1¼"	---	<b>125-AA-SS</b> <sup>1</sup>
1½"	<b>150-AA-AL</b>	<b>150-AA-SS</b>
1½" x 2"	<b>1520-AA-AL</b>	<b>1520-AA-SS</b>
2"	<b>200-AA-AL</b>	<b>200-AA-SS</b>
2" x 3"	<b>2030-AA-AL</b>	<b>2030-AA-SS</b>
2" x 4"	<b>2040-AA-AL</b>	<b>2040-AA-SS</b> <sup>1</sup>
2½" x 3"	<b>2530-AA-AL</b> <sup>1</sup>	<b>2530-AA-SS</b> <sup>1</sup>
2½" x 4"	<b>2540-AA-AL</b> <sup>1</sup>	---
3"	<b>300-AA-AL</b>	<b>300-AA-SS</b>
3" x 4"	<b>3040-AA-AL</b>	<b>3040-AA-SS</b> <sup>1</sup>
4"	<b>400-AA-AL</b>	<b>400-AA-SS</b>
4" x 5"	<b>4050-AA-AL</b>	---
4" x 6"	<b>4060-AA-AL</b>	<b>4060-AA-SS</b> <sup>1</sup>
5"	<b>500-AA-AL</b> <sup>1</sup>	<b>500-AA-SS</b> <sup>1</sup>
5" x 6"	<b>5060-AA-AL</b> <sup>1</sup>	---
6"	<b>600-AA-AL</b>	<b>600-AA-SS</b> <sup>1</sup>
Size	<b>Brass Part #</b>	
2"	<b>200-AA-BR</b>	
3"	<b>300-AA-BR</b>	

<sup>1</sup> parts are produced as a welded fabrication

### Dixon® Spool Couplers

**Feature:**

- supplied standard with a Buna-N gasket, other gaskets available on pages 65-67  
**coupler x coupler**



increaser / reducer



same size

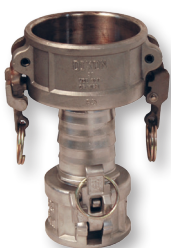
Size	356T6 Aluminum Part #	316 Stainless Steel Part #
1½"	---	<b>150-DD-SS</b> <sup>1</sup>
2"	<b>200-DD-AL</b>	<b>200-DD-SS</b>
2" x 3"	<b>2030-DD-AL</b>	<b>2030-DD-SS</b>
3"	<b>300-DD-AL</b>	<b>300-DD-SS</b>
3" x 4"	<b>3040-DD-AL</b>	<b>3040-DD-SS</b> <sup>1</sup>
4"	<b>400-DD-AL</b>	<b>400-DD-SS</b>
4" x 5"	<b>4050-DD-AL</b> <sup>1</sup>	<b>4050-DD-SS</b> <sup>1</sup>
4" x 6"	<b>4060-DD-AL</b> <sup>1</sup>	<b>4060-DD-SS</b>
5"	<b>500-DD-AL</b> <sup>1</sup>	<b>500-DD-SS</b>
6"	<b>600-DD-AL</b>	---

<sup>1</sup> parts are produced as a welded fabrication

### Boss-Lock™ Spool Couplers

**Feature:**

- supplied standard with a Buna-N gasket, other gaskets available on pages 65-67  
**coupler x coupler**



reducer / increaser



same size

Size	356T6 Aluminum Part #	316 Stainless Steel Part #
2"	<b>ADD200</b> <sup>1</sup>	<b>RDD200EZ</b>
2" x 3"	<b>ADD2030</b> <sup>1</sup>	<b>RDD2030EZ</b> <sup>1</sup>
3"	<b>ADD300</b> <sup>1</sup>	<b>RDD300EZ</b> <sup>1</sup>
3" x 4"	<b>ADD3040</b> <sup>1</sup>	<b>RDD3040EZ</b> <sup>1</sup>
4"	<b>ADD400</b> <sup>1</sup>	<b>RDD400EZ</b> <sup>1</sup>
6"	---	<b>RDD600EZ</b> <sup>1</sup>

<sup>1</sup> parts are produced as a welded fabrication

## Adapters and Couplers x 150# Flanged Drilling

**Features:**

- aluminum and unplated iron flanges are flat faced
- stainless steel flanges are raised face

### Dixon® adapter x 150# flange

Size	356T6 Aluminum Part #	Flange Thick.	Unplated Malleable Iron Part #	Flange Thick.	316 Stainless Steel Part #	Flange Thick.
1"	---	—	---	—	<b>100-AL-SS</b>	9/16"
1½"	---	—	---	—	<b>150-AL-SS</b>	11/16"
2"	<b>200-AL-AL</b>	¾"	---	—	<b>200-AL-SS</b>	7/16"
3"	<b>300-AL-AL</b>	⅝"	<b>300-AL-MI</b>	⅝"	<b>300-AL-SS</b>	7/16"
4"	<b>400-AL-AL</b>	⅝"	---	—	<b>400-AL-SS</b>	7/16"
6"	<b>600-AL-AL</b>	⅝"	---	—	<b>600-AL-SS</b>	⅝"
8"	<b>800-AL-AL</b> <sup>1</sup>	1⅛"	---	—	---	---

<sup>1</sup> part is produced as a welded fabrication



**Feature:**

- global product made to Dixon® specifications

### Global Dixon® adapter x 150# ANSI flange

Size	316 Stainless Steel Part #	Flange Thickness
2"	<b>200-AL-SSANSI</b>	¾"
3"	<b>300-AL-SSANSI</b>	15/16"



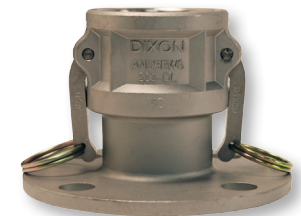
**Feature:**

- supplied standard with a Buna-N gasket, other gaskets available on pages 65-67

### Dixon® coupler x 150# flange

Size	356T6 Aluminum Part #	Flange Thickness	316 Stainless Steel Part #	Flange Thickness
1"	---	---	<b>100-DL-SS</b>	21/32"
1½"	---	---	<b>150-DL-SS</b>	25/32"
2"	<b>200-DL-AL</b>	3/4"	<b>200-DL-SS</b>	7/16"
3"	<b>300-DL-AL</b>	15/16"	<b>300-DL-SS</b>	7/16"
4"	<b>400-DL-AL</b>	15/16"	<b>400-DL-SS</b>	7/16"
6"	<b>600-DL-AL</b>	1"	<b>600-DL-SS</b>	⅝"
8"	<b>800-DL-AL</b> <sup>1</sup>	1-1/8"	---	---

<sup>1</sup> part is produced as a welded fabrication



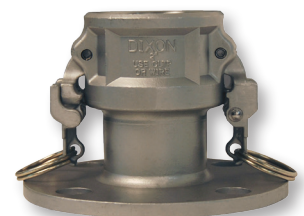
**Feature:**

- supplied standard with a Buna-N gasket, other gaskets available on pages 65-67

### EZ Boss-Lock™ coupler x 150# flange

Size	316 Stainless Steel Part #	Flange Thickness
1"	<b>RDL100EZ</b> <sup>1</sup>	9/16"
1½"	<b>RDL150EZ</b> <sup>1</sup>	11/16"
2"	<b>RDL200EZ</b>	7/16"
3"	<b>RDL300EZ</b> <sup>1</sup>	7/16"
4"	<b>RDL400EZ</b> <sup>1</sup>	7/16"
6"	<b>RDL600EZ</b> <sup>1</sup>	1"

<sup>1</sup> part is produced as a welded fabrication



## In-Line Sight Glass for Bulk Transfer

**Applications:**

- designed for dry bulk transfer hose
- not intended for liquid service, for dry bulk transfer *only*



**Materials:**

- aluminum body, Buna seals, acrylic sight glasses, stainless steel hardware and bronze cam arms (where applicable)

	coupler x adapter	adapter x adapter	coupler x coupler
Size	Part #	Part #	Part #
3" x 3"	<b>3533CA</b>	<b>3533AA</b>	<b>3533CC</b>
3" x 4"	<b>3534CA</b>	<b>3534AA</b>	---
4" x 3"	<b>3543CA</b>	---	<b>3543CC</b>
4" x 4"	<b>3544CA</b>	<b>3544AA</b>	<b>3544CC</b>



## Specialty Items



**coupler x adapter wye**

Size	356T6 Aluminum Part #
2"	<b>200YDAAAL</b>



**tank truck flanged tee**

Size	356T6 Aluminum Part #
4"	<b>400-TLT-AL</b>

- some parts have a colored anodized surface finish

## TTMA Series Flange Adapters

**Application:**

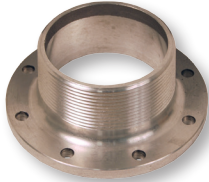
- provides an easy way to quickly convert threaded components to a standard TTMA flange configuration

**Features:**

- solid cast lightweight aluminum design is more durable than welded fabrications
- design improves flow through adapter even on the 3" reducer
- compact size reduces the overall space needed to install

### Male Threaded

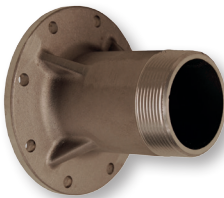
**TTMA flange x standard male NPT**



TTMA Flange	Male NPT	Aluminum Part #
3"	3"	<b>TTF3AL-3MT</b>
4"	3"	<b>TTF4AL-3MT</b>
4"	4"	<b>TTF4AL-4MT</b>

### Extended Length - Male Threaded

**TTMA flange x extended length male NPT**



TTMA Flange	Male NPT	Aluminum Part #
4"	3"	<b>TTF4AL-3EMT</b>
4"	4"	<b>TTF4AL-4EMT</b>

### Female Threaded

**TTMA flange x female NPT**



TTMA Flange	Female NPT	Aluminum Part #
4"	3"	<b>TTF4AL-3FT</b>
4"	4"	<b>TTF4AL-4FT</b>

### Slip-on

**TTMA flange x slip-on**



TTMA Flange	Pipe Size	Aluminum Part #
4"	4"	<b>TTF400SP</b>



## TTMA Flange Extensions

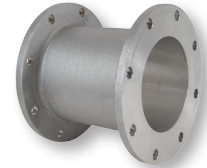
### Applications:

- used on load arms to connect an API load coupler to a load arm

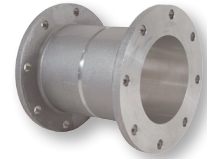
### Features:

- adds a 6" space between the load arm and the tank truck
- extension with groove provides a specified parting point to prevent excessive damage to the loading arm

Size	Description	Aluminum Part #
4"	TTMA flange extension	<b>TETF4AL</b>
4"	TTMA flange extension with groove	<b>TETFG4AL</b>
4"	TTMA flange extension with 1/2" female NPT port	<b>TETF4ALFP50</b>



TETF4AL



TETFG4AL

## Dixon® Adapters and Couplers x Round Tank Truck Flange

### Features:

- aluminum flanges have a flat face, stainless flanges have a raised face
- pressure rating is based on the seal of the mating part, see ratings on page 6

### adapter x round tank truck flange

Size	356T6 Aluminum Part #	316 Stainless Steel Part #
3"	<b>300-ALT-AL</b>	<b>300-ALT-SS</b> <sup>1</sup>
3" x 4"	<b>3040ALTAL</b>	---
4"	<b>400-ALT-AL</b>	<b>400-ALT-SS</b> <sup>1</sup>
6"	<b>600-ALT-AL</b>	---

<sup>1</sup> parts are produced as a welded fabrication



### Feature:

- supplied standard with a Buna-N gasket, other gaskets available on pages 65-67

### coupler x round tank truck flange

Size	356T6 Aluminum Part #
3"	<b>300-DLT-AL</b>
3" x 4"	<b>3040DLTAL</b>
4"	<b>400-DLT-AL</b>
6"	<b>600-DLT-AL</b>



## Dixon® 22½° Adapters and Couplers x Round Tank Truck Flange

### Feature:

- pressure rating is based on the seal of the mating part, see ratings on page 6

### 22½° adapter x round tank truck flange

Size	356T6 Aluminum Part #
4"	<b>40022ALTAL</b>



### Feature:

- supplied standard with a Buna-N gasket, other gaskets available on pages 65-67

### 22½° coupler x round tank truck flange

Size	356T6 Aluminum Part #
4"	<b>40022DLTAL</b>



## Round Tank Truck Flange Gaskets (TTMA)

Size	OD	ID	Thick.	Material	Part #
3"	5 5/8"	3 1/2"	1/8"	Cork / Buna	<b>300GTTFCB</b>
3"	5 5/8"	3 1/2"	1/16"	PTFE envelope with Klinger filler	<b>300GTTFTK</b>
3"	5 5/8"	3 1/2"	1/8"	Klingersil® C-4401	<b>300GTTFK</b>
3"	5 7/8"	3 1/2"	1/4"	PTFE with fiber core	<b>40321TF</b>
4"	6 5/8"	4-9/16"	1/8"	Cork / Buna	<b>400GTTFCB</b>
4"	6 5/8"	4-9/16"	1/16"	PTFE envelope with Klinger filler	<b>400GTTFTK</b>
4"	6 5/8"	4-9/16"	1/8"	Klingersil® C-4401	<b>400GTTFK</b>
4"	6 7/8"	4-9/16"	1/4"	PTFE with fiber core	<b>40322TF</b>



### Dixon® Vapor Recovery Couplers

- not intended for liquid service, for vapor recovery *only*



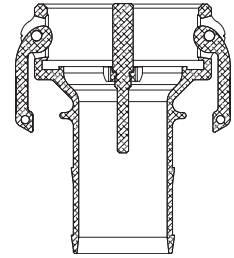
**Features:**

- cast aluminum body
- bronze arms with stainless steel pins
- plated carbon steel finger rings
- Buna-N gasket



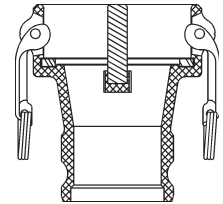
**coupler with probe x hose shank**

Coupler Size	Hose Shank Size	356T6 Aluminum Part #
4"	3"	<b>4030-CVR-AL</b>
4"	4"	<b>400-CVR-AL</b>



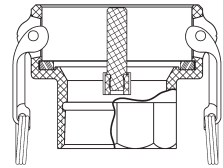
**coupler with probe x adapter**

Coupler Size	Adapter Size	356T6 Aluminum Part #
4"	3"	<b>4030-DAVR-AL</b>



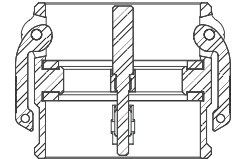
**coupler with probe x female NPT**

Coupler Size	Female NPT Size	356T6 Aluminum Part #
4"	3"	<b>4030-DVR-AL</b>
4"	4"	<b>400-DVR-AL</b>



**coupler with probe x coupler with probe**

Coupler Size	Coupler Size	356T6 Aluminum Part #
4"	4"	<b>400-DDVR-AL</b>



### Dixon Bayco Vapor Recovery Couplers

**Applications:**

- for use with 3" vapor hose
- not intended for liquid service, for vapor recovery *only*



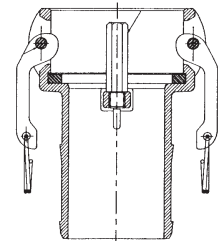
**Features:**

- cast aluminum body, bronze arms with stainless steel pins and finger rings
- Buna-N gasket
- Dixon® replacement handle assemblies will not work on these fittings, contact Dixon® for replacements.



**coupler with probe x hose shank**

Coupler Size	Hose Shank Size	Aluminum Part #
3"	3"	<b>VR3000AL</b>

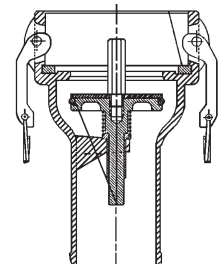


**Feature:**

- VR4030CS-AL has an FKM O-ring poppet seal

**coupler with poppet and probe x hose shank**

Coupler Size	Hose Shank Size	Aluminum Part #
4"	3"	<b>VR4030CS-AL<sup>1</sup></b>
4"	4"	<b>VR4040CS-AL</b>



<sup>1</sup> interchanges with all competitor vapor valves *except* Civacon #633LVH (special bulb design).



## Dixon® Butt Weld to Tube Cam and Groove

### Application:

- designed to be butt welded to standard sanitary tubing

### Feature:

- investment casting

### adapter x butt weld to tube end

Size	316 Stainless Steel Part #
1"	RE100BT
1½"	RE150BT
2"	RE200BT
3"	RE300BT



### Boss-Lock™ coupler x butt weld to tube end

Size	316 Stainless Steel Part #
1"	RC100BT
1½"	RC150BT
2"	RC200BT
3"	RC300BT



## Dixon® Adapters for Welding

### Feature:

- not all configurations are stocked
- line drawings are for reference only, consult Dixon® for specific dimensions
- final weld preparation, as with all weld fittings, is the responsibility of the welder



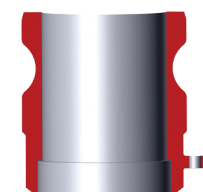
### socket weld to schedule 40 pipe

Size	Bore	356T6 Aluminum Part #	316 Stainless Steel Part #
¾"	1.065	---	75AWSPSS
1"	1.330	---	100AWSPSS
1½"	1.915	150AWSPAL	150AWSPSS
2"	2.390	200AWSPAL	200AWSPSS
3"	3.530	300AWSPAL	300AWSPSS
4"	4.530	400AWSPAL	400AWSPSS
5"	5.593	500AWSPAL	500AWSPSS
6"	6.655	600AWSPAL	600AWSPSS
8" DIX	8.711	800AWSPAL <sup>1</sup>	---
8" BL	8.711	801AWSPAL <sup>1</sup>	---



### butt weld to schedule 40 pipe / socket weld to nominal OD tubing

Size	Bore	356T6 Aluminum Part #	316 Stainless Steel Part #
¾"	.765	---	75AWBPSTSS
1"	1.015	---	100AWBPSTSS
1½"	1.515	150AWBPSTAL	150AWBPSTSS
2"	2.015	200AWBPSTAL	200AWBPSTSS
3"	3.015	300AWBPSTAL	300AWBPSTSS
4"	4.015	400AWBPSTAL	400AWBPSTSS
5"	5.015	500AWBPSTAL	500AWBPSTSS
6"	6.020	600AWBPSTAL	600AWBPSTSS
8" BL	8.035	801AWBPSTAL <sup>1</sup>	---

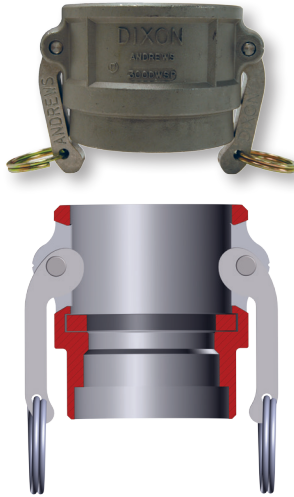


<sup>1</sup> Dixon® and Boss-Lock™ cam and groove couplings do not interchange in the 8" size.

## Dixon® Couplers for Welding

### Features:

- not all configurations are stocked
- Boss-Lock™ versions are also available, consult Dixon® for pricing and availability
- line drawings are for reference only, consult Dixon® for specific dimensions
- final weld preparation, as with all weld fittings, is the responsibility of the welder

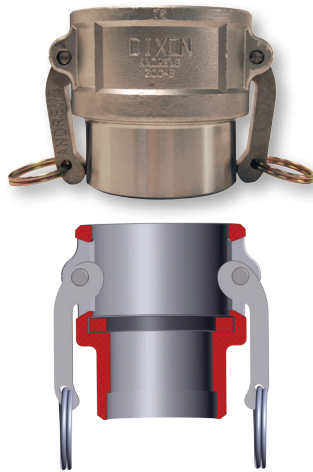


### socket weld to schedule 40 pipe

Size	Bore	356T6 Aluminum Part #	316 Stainless Steel Part #
3/4"	1.065	---	<b>75DWSPSS</b>
1"	1.330	<b>100DWSPAL</b>	<b>100DWSPSS</b>
1½"	1.915	<b>150DWSPAL</b>	<b>150DWSPSS</b>
2"	2.390	<b>200DWSPAL</b>	<b>200DWSPSS</b>
3"	3.530	<b>300DWSPAL</b>	<b>300DWSPSS</b>
4"	4.530	<b>400DWSPAL</b>	<b>400DWSPSS</b>
5"	5.562	<b>500DWSPAL</b>	<b>500DWSPSS</b>
6"	6.655	<b>600DWSPAL</b>	<b>600DWSPSS</b>
8"	8.711	<b>800DWSPAL</b> <sup>1</sup>	---

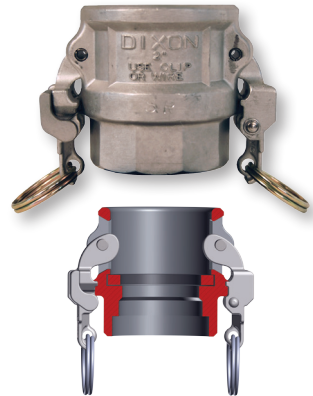


<sup>1</sup> Dixon® and Boss-Lock™ cam and groove couplings do not interchange in the 8" size. The 8" Dixon® design has 4 cam arms.



### butt weld to schedule 40 pipe / socket weld to nominal OD tubing

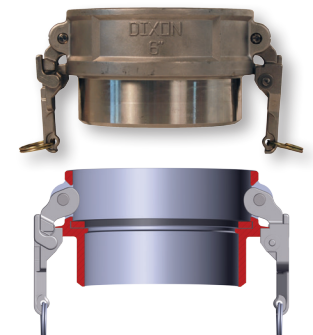
Size	Bore	356T6 Aluminum Part #	316 Stainless Steel Part #
3/4"	.765	---	<b>75DWPSTSS</b>
1"	1.015	---	<b>100DWPSTSS</b>
1½"	1.515	<b>150DWPSTAL</b>	<b>150DWPSTSS</b>
2"	2.015	<b>200DWPSTAL</b>	<b>200DWPSTSS</b>
3"	3.015	<b>300DWPSTAL</b>	<b>300DWPSTSS</b>
4"	4.015	<b>400DWPSTAL</b>	<b>400DWPSTSS</b>
5"	5.015	<b>500DWPSTAL</b>	---
6"	6.020	<b>600DWPSTAL</b>	---



## EZ Boss-Lock™ Couplers for Welding

### socket weld to schedule 40 pipe

Size	Bore	316 Stainless Steel Part #
3/4"	1.065	<b>RDWSP075EZ</b>
1"	1.330	<b>RDWSP100EZ</b>
1½"	1.915	<b>RDWSP150EZ</b>
2"	2.390	<b>RDWSP200EZ</b>
3"	3.530	<b>RDWSP300EZ</b>
4"	4.530	<b>RDWSP400EZ</b>
6"	6.655	<b>RDWSP600EZ</b>



### butt weld to schedule 40 pipe / socket weld to nominal OD tubing

Size	Bore	316 Stainless Steel Part #
3/4"	.765	<b>RDWPST075EZ</b>
1"	1.015	<b>RDWPST100EZ</b>
1½"	1.515	<b>RDWPST150EZ</b>
2"	2.015	<b>RDWPST200EZ</b>
3"	3.015	<b>RDWPST300EZ</b>
4"	4.015	<b>RDWPST400EZ</b>
6"	6.020	<b>RDWPST600EZ</b>

## Dixon® Standard Handle Assemblies

**Features:**

- stainless steel pins standard with all assemblies
- roll pins are 302 stainless and solid pins are 303 stainless
- pull rings are standard on sizes 1¼" thru 6", pull rings are optional on other sizes
- domestic Dixon® standard handle assemblies are to only be used with standard Dixon® parts (not global)



Coupler Size	Description	Brass Part #	316 Sintered Stainless Steel Part #	316 Investment Stainless Steel Part #
½"	cam arm and pin	---	<b>50-HP-SP</b>	---
¾"	cam arm and pin	---	<b>75-HP-SP</b>	---
1"	cam arm and pin	---	<b>100-HP-SP</b>	---
1¼" - 2½"	cam arm, ring and pin	<b>200-HRP-BR</b>	<b>200-HRP-SP</b>	---
2"	cam arm, ring and pin	---	---	<b>200-HSCR-SP</b>
3"	cam arm, ring and pin	---	---	<b>300-HSCR-SP</b>
3" - 5"	cam arm, ring and pin	<b>300-HRP-BR</b>	<b>300-HRP-SP</b>	---
6"	cam arm, ring and pin	<b>600-HRP-BR</b>	---	<b>600-HRP-SI</b>
8"	cam arm and pin for new coupler design	<b>800-HNP-BR</b>	---	---

## Locking Handle for Dixon® Dust Caps

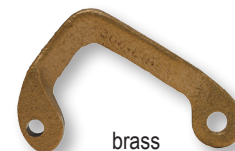
**Feature:**

- not supplied with pins

Coupler Size	Hole Diameter	Brass Part #	316 Investment Stainless Steel Part #
2"	9/32"	<b>200-LH-BR</b>	<b>200-LH-SI</b>
3"	5/16"	<b>300-LH-BR</b>	<b>300-LH-SI</b>
4"	3/8"	<b>400-LH-BR</b>	<b>400-LH-SI</b>



stainless steel



brass

## Paddle Handle for Dixon® Couplings

**Feature:**

- not supplied with pins

Coupler Size	Brass Part #
3" and 4"	<b>300H-PADBR</b>

Coupler Size	316 Investment Cast Stainless Steel Part #
3" and 4"	<b>300H-PADSS</b>



## Boss-Lock™ Standard Handle Assemblies

assembly includes cam arm, pin and pull ring safety clip

Coupler Size	Brass Part #	316 Investment Cast Stainless Steel Part #	Plated Iron Part #
¾" - 1"	<b>BHSC175</b>	<b>RHSC175</b>	---
1¼" - 2½"	<b>BHSC152</b>	<b>RHSC152</b>	<b>IHSC152</b>
3" and 4"	<b>BHSC34</b>	<b>RHSC34</b>	<b>IHSC34</b>



assembly includes cam arm, pin and pull ring

Coupler Size	Brass Part #	Plated Iron Part #
6" and 8"	<b>BH6</b>	<b>IH6</b>




## EZ Boss-Lock™ Handles

**Features:**

- investment cast stainless steel cam arm and lever
- 316 stainless steel spring
- stainless steel pin, washer, plated carbon steel pull ring



Coupler Size	316 Stainless Steel Part #
3/4" - 1"	<b>RHEZ175</b>
1 1/4" - 2 1/2"	<b>RHEZ152</b>
3" and 4"	<b>RHEZ34</b>
6" and 8"	<b>RHEZ6</b>

Under no circumstances should the EZ Boss-Lock™ cam arms be used on any fitting not specifically produced for their use. The aluminum, brass and iron are made from sand castings. To ensure proper functioning of the EZ Boss-Lock™ cam arm assemblies, we sort the castings to ensure there is sufficient length and orientation on the lugs on the main casting to engage the lever. We also buff or grind the rougher sand cast surface to ensure that the lever will move freely. The EZ Boss-Lock™ cam arms cannot be retrofitted onto existing aluminum, brass or plated iron Boss-Lock™ already in service. 

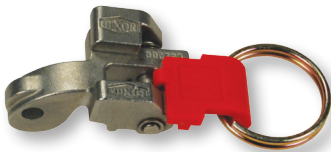
## Vent-Lock™ Handles

### Dixon® Handle / Ring / Pin



Coupler Size	316 Stainless Steel Part #
1"	<b>L100-HSCR-P-SI</b>
1 1/4" - 2"	<b>L200-HSCR-P-SI</b>

### EZ Boss-Lock® Handle / Ring / Pin



Coupler Size	316 Stainless Steel Part #
1"	<b>LRHEZ175</b>
1 1/4" - 2"	<b>LRHEZ152</b>
3"	<b>LRHEZ34</b>

## EZLink™ Replacement Kits

**Feature:**

- kit contains: 2 pins, 2 springs and 2 tabs



Size	A356 Aluminum Part #
2"	<b>EZL200RPLKIT</b>
3" and 4"	<b>EZL300RPLKIT</b>

## Pull Ring Safety Clips for EZLink™ Couplings



Carbon Steel Part #
<b>EZLCL400</b>

## Replacement Gaskets



Size	Buna-N Part #	Fluorosilicone Part #	Viton™ Part #
2"	<b>EZL200-G-BU</b>	<b>EZL200-G-FV</b>	<b>EZL200-G-VI</b>
3"	<b>EZL300-G-BU</b>	<b>EZL300-G-FV</b>	<b>EZL300-G-VI</b>
4"	<b>EZL400-G-BU</b>	<b>EZL400-G-FV</b>	<b>EZL400-G-VI</b>

### Witches Hat Strainers

**Features:**

- used with female cam and groove couplings
- pre-attached Buna-N gasket

Size	304 Stainless Steel Part #	Buna-N Gasket Part #
3"	<b>WH300-A</b>	<b>WH300-G</b>
4"	<b>WH400-A</b>	<b>WH400-G</b>

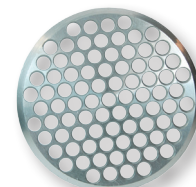


### Disk Strainers

**Features:**

- threads into bottom of female NPT fitting to protect equipment from large contaminants
- 304 stainless steel parts are investment castings

Size	Hole Size	6061T6 Aluminum Part #	304 Stainless Steel Part #
2"	1/4"	<b>SDA200</b>	<b>SDS200</b>
3"	1/4"	<b>SDA300</b>	<b>SDS300</b>
4"	1/4"	<b>SDA400</b>	<b>SDS400</b>



### Pull Ring Safety Clips for Boss-Lock™ Couplings

Coupler Size	Carbon Steel Part #	316 Stainless Steel Part #
3/4" - 1"	---	<b>100PRSCSS</b>
1 1/4" - 2 1/2"	<b>200PRSCCS</b>	<b>200PRSCSS</b>
3" and 4"	<b>300PRSCCS</b>	<b>300PRSCSS</b>



### Stainless Steel Pull Ring

304 Stainless Steel Part #
<b>R200SS</b>



### Clips and Lanyards for Boss-Lock™ Couplings

**Features:**

- carbon steel clip
- nylon lanyard

Coupler Size	Part #
3/4" - 1"	<b>ACL4</b>
1 1/4" - 4"	<b>ACL2</b>



**Features:**

- carbon steel clip
- no lanyard supplied with this clip

Coupler Size	Part #
6"	<b>ACL3</b>



### Bottle Opener

Brass Part #
<b>CAMOPENER</b>





coupler sold separately

## Locking Cam Arm Velcro® Straps

**Applications:**

- use with cam and groove couplers to prevent spills, secure from damage, and hold in place during transport

**Features:**

- high visibility orange hook and loop with metal buckle provides strength, durability and long life
- used on the female end of the cam and groove coupler

Length	Used On	Part #
12"	fits up to 1½" coupler	<b>CVS12</b>
18"	fits up to 3" coupler	<b>CVS18</b>
24"	fits up to 5" coupler	<b>CVS24</b>
36"	fits up to 8" coupler	<b>CVS36</b>

## Carbon Steel Clip Assembly



**Features:**

- for use with Boss-Lock™ couplings
- includes a pull ring, chain and AC3 clip

Part #
<b>BLCA152CS</b>

## Clip for Boss-Lock™ Couplings



**Feature:**

- .072 stainless steel wire

Material	Part #
<i>Stainless Steel</i>	<b>AC7</b>

## Lanyard for Boss-Lock™ Couplings



**Feature:**

- breaking strength: 160 lbs.

304 Stainless Part #	Overall Length
<b>LR7</b>	7"

## Jack Chains with S-Hooks



Length	Material	Part #	Opt Qty
6"	<i>brass</i>	<b>CH-B-6</b>	10
12"	<i>brass</i>	<b>CH-B-12</b>	10
24"	<i>brass</i>	<b>CH-B-24</b>	---
12"	<i>carbon steel</i>	<b>CH-C-12</b>	10
6"	<i>stainless</i>	<b>CH-SS-6</b>	10
12"	<i>stainless</i>	<b>CH-SS-12</b>	10
24"	<i>stainless</i>	<b>CH-SS-24</b>	10

## Sash Chains with Pull Rings



**Feature:**

- brass chain, plated steel pull ring

Length	Part #
4½"	<b>J125</b>
6½"	<b>J150</b>
8½"	<b>J300</b>
12¾"	<b>J500</b>

## PVC Coated Lanyards



**Features:**

- PVC coated carbon steel with aluminum crimp sleeves
- one end factory crimped, one end uncrimped for field installation

Length	Part #
15"	<b>CAL15</b>
25"	<b>CAL25</b>



## Cam and Groove Gaskets



### Feature:

- white neoprene and white Buna-N gaskets all contain FDA approved materials

Size	Buna-N Part #	FKM Part #	Extra thick Buna-N Part #	Ethylene Propylene Part #
1/2"	<b>50-G-BU</b>	<b>50-G-VI</b>	---	---
3/4"	<b>75-G-BU</b>	<b>75-G-VI</b>	---	<b>75-G-EPR</b>
1"	<b>100-G-BU</b>	<b>100-G-VI</b>	<b>100GTHK</b>	<b>100-G-EPR</b>
1 1/4"	<b>125-G-BU</b>	<b>125-G-VI</b>	<b>125GTHK</b>	<b>125-G-EPR</b>
1 1/2"	<b>150-G-BU</b>	<b>150-G-VI</b>	<b>150GTHK</b>	<b>150-G-EPR</b>
2"	<b>200-G-BU</b>	<b>200-G-VI</b>	<b>200GTHK</b>	<b>200-G-EPR</b>
2 1/2"	<b>250-G-BU</b>	<b>250-G-VI</b>	<b>250GTHK</b>	<b>250-G-EPR</b>
3"	<b>300-G-BU</b>	<b>300-G-VI</b>	<b>300GTHK</b>	<b>300-G-EPR</b>
4"	<b>400-G-BU</b>	<b>400-G-VI</b>	<b>400GTHK</b>	<b>400-G-EPR</b>
5"	<b>500-G-BU</b>	<b>500-G-VI</b>	---	---
6"	<b>600-G-BU</b>	<b>600-G-VI</b>	<b>600GTHK</b>	---
8"	<b>800-G-BU</b>	<b>800-G-VI</b>	---	---

Size	Neoprene Part #	White Neoprene Part #	White Buna-N Part #	Silicone Part #
1/2"	---	---	---	---
3/4"	<b>75-G-NE</b>	---	---	---
1"	<b>100-G-NE</b>	---	---	---
1 1/4"	<b>125-G-NE</b>	---	---	---
1 1/2"	<b>150-G-NE</b>	<b>150-G-WNE</b>	---	<b>150-G-SIL</b>
2"	<b>200-G-NE</b>	<b>200-G-WNE</b>	---	<b>200-G-SIL</b>
2 1/2"	<b>250-G-NE</b>	---	---	---
3"	<b>300-G-NE</b>	<b>300-G-WNE</b>	<b>300-G-WB</b>	<b>300-G-SIL</b>
4"	<b>400-G-NE</b>	<b>400-G-WNE</b>	<b>400-G-WB</b>	<b>400-G-SIL</b>
5"	---	<b>500-G-WNE</b>	---	---
6"	---	<b>600-G-WNE</b>	---	---
8"	---	---	---	---

## Cam and Groove Fuel Gaskets

Size	Part #	Material
1 1/2"	<b>150-G-BF</b>	<i>Buna</i>
2"	<b>200-G-BF</b>	<i>Buna</i>
3"	<b>300-G-BF</b>	<i>Buna</i>
4"	<b>400-G-BF</b>	<i>Buna</i>
3"	<b>300GTHKBF</b>	<i>extra thick Buna-N</i>
4"	<b>400GTHKBF</b>	<i>extra thick Buna-N</i>



## PTFE Cam and Groove Gaskets

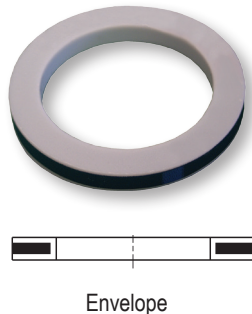
The torque (force) required to close the handles on a pair of cam and groove fittings will vary according to the gasket chosen. Due to the nature of the PTFE material, the various PTFE gasket designs will require the most torque, increasing as you go from envelope to encapsulated, and finally, accordion.

### Features:



- PTFE white Buna filler (TFWB) and PTFE encapsulated silicone (TES) all contain FDA approved materials
- PTFE accordion gaskets (TFACC) are recommended for use with viscous (thick) fluids only
- encapsulated gasket pressure ratings are reduced to **125 PSI** for ¾" - 4" at ambient temperature **70°F (21°C)**
- PTFE encapsulated FKM (TEV) gaskets - maximum operating temperature **200°F (93°C)**
- PTFE encapsulated silicone gaskets (TES) gaskets - maximum operating temperature **225°F (107°C)**
- *maximum operating temperatures for specific chemicals may be lower, contact Dixon® for specific recommendations*

### Envelope



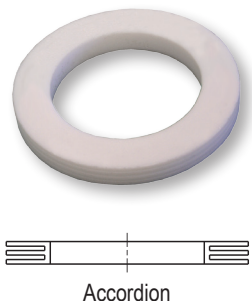
Size	PTFE (TFE) with Buna-N filler Part #	PTFE (TFE) with FKM filler Part #	PTFE (TFE) with white Buna-N filler Part #	PTFE (TFE) with Ethylene Propylene filler Part #
½"	<b>50-G-TF</b>	<b>50-G-TF-VI</b>	---	---
¾"	<b>75-G-TF</b>	<b>75-G-TF-VI</b>	---	---
1"	<b>100-G-TF</b>	<b>100GTFVI</b>	---	---
1¼"	<b>125-G-TF</b>	<b>125GTFVI</b>	---	---
1½"	<b>150-G-TF</b>	<b>150GTFVI</b>	---	<b>150GTFEP</b>
2"	<b>200-G-TF</b>	<b>200GTFVI</b>	<b>200GTFWB</b>	<b>200GTFEP</b>
2½"	<b>250-G-TF</b>	<b>250GTFVI</b>	---	---
3"	<b>300-G-TF</b>	<b>300GTFVI</b>	<b>300GTFWB</b>	<b>300GTFEP</b>
4"	<b>400-G-TF</b>	<b>400GTFVI</b>	<b>400GTFWB</b>	---
5"	---	---	<b>500GTFWB</b>	---
6"	<b>600-G-TF</b>	<b>600GTFVI</b>	---	---

### Encapsulated



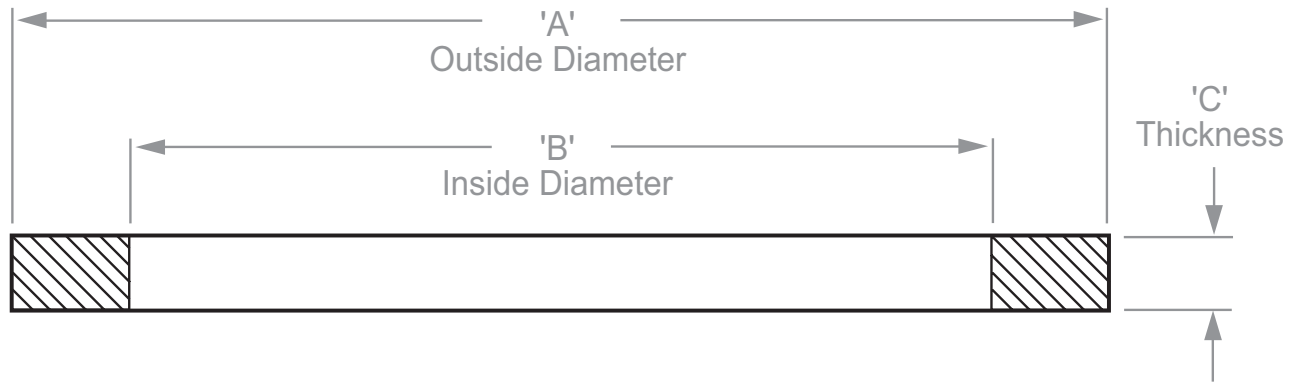
Size	PTFE (FEP) encapsulated silicone Part #	PTFE (FEP) encapsulated FKM Part #
¾"	<b>75-G-TES</b>	<b>75-G-TEV</b>
1"	<b>100-G-TES</b>	<b>100-G-TEV</b>
1¼"	<b>125-G-TES</b>	<b>125-G-TEV</b>
1½"	<b>150-G-TES</b>	<b>150-G-TEV</b>
2"	<b>200-G-TES</b>	<b>200-G-TEV</b>
2½"	<b>250-G-TES</b>	<b>250-G-TEV</b>
3"	<b>300-G-TES</b>	<b>300-G-TEV</b>
4"	<b>400-G-TES</b>	<b>400-G-TEV</b>

### Accordion



Size	PTFE (TFE) Part #
¾"	<b>75GTFACC</b>
1"	<b>100GTFACC</b>
1¼"	<b>125GTFACC</b>
1½"	<b>150GTFACC</b>
2"	<b>200GTFACC</b>
3"	<b>300GTFACC</b>

## Dixon® Cam and Groove Gasket Dimensions



- nominal dimensions for Dixon® elastomeric cam and groove gaskets are listed
- ID's of the PTFE envelope gaskets and the PTFE accordion gaskets are *1/16" smaller than* the ID's for the elastomeric gaskets shown below
- thickness of PTFE accordion gaskets may vary from chart below

Size	Part #	Dimensions		
		'A'	'B'	'C'
1/2"	<b>50-G</b> <sup>1</sup>	1-1/32"	11/16"	.156"
3/4"	<b>75-G</b>	1-3/8"	7/8"	.218"
1"	<b>100-G</b>	1-9/16"	1-1/16"	.250"
1 1/4"	<b>125-G</b>	1-15/16"	1-23/64"	.250"
1 1/2"	<b>150-G</b>	2-3/16"	1-5/8"	.250"
2"	<b>200-G</b>	2-5/8"	2"	.250"
2 1/2"	<b>250-G</b>	3-1/8"	2-3/8"	.250"
3"	<b>300-G</b>	3-23/32"	3"	.250"
4"	<b>400-G</b>	4-7/8"	4"	.250"
5"	<b>500-G</b>	5-15/16"	4-7/8"	.250"
6"	<b>600-G</b>	7-1/16"	6"	.250"
8"	<b>800-G</b> <sup>1</sup>	9-5/16"	8-1/8"	.343"

<sup>1</sup> No interchange standard exists for the 1/2" and 8" fittings. Generally, these sizes do not interchange with other manufacturer's products. As such, the gaskets in these sizes are not suitable for use in other manufacturers' couplings.



## Dixon® Cam and Groove Gasket Color Codes

Gasket Code <sup>1</sup>	Gasket Material	Material Color	Color code stripes (appear on the OD of the gasket or filler)
<b>-BU</b>	Buna-N (standard in all metal fittings)	black	1 blue
<b>-BF</b>	Buna (formulated for fuel service)	black	1 green
<b>-VI</b>	FKM	black	1 yellow
<b>-THK</b>	Extra Thick Buna	black	2 blue
<b>-EPR</b>	Ethylene Propylene	black	1 white
<b>-NE</b>	Neoprene	black	1 red
<b>-WNE</b>	White Neoprene, FDA approved material	white	none
<b>-WB</b>	White Buna N, FDA approved material	white	blue
<b>-SIL</b>	Silicone	red	none
<b>-TF</b>	PTFE (TFE) Envelope with Buna-N filler	white / black	1 blue
<b>TFVI</b>	PTFE (TFE) Envelope with FKM filler	white / black	1 yellow
<b>TFWB</b>	PTFE (TFE) Envelope with White Buna-N filler, FDA approved materials	white / white	blue
<b>TFEP</b>	PTFE (TFE) Envelope with Ethylene Propylene filler	white / black	1 white stripe
<b>-TES</b>	PTFE (FEP) Encapsulated Silicone core, FDA approved materials	translucent / red	none
<b>-TEV</b>	PTFE (FEP) Encapsulated FKM core	translucent / black	none
<b>TFACC</b>	PTFE (TFE) Accordion, FDA approved materials	white	none

<sup>1</sup> part number suffix

Since other manufacturer's coding systems vary, this chart should not be used as a reference in identifying gaskets of unknown origin.



Dixon® is recognized as the premier manufacturer and supplier of hose fittings and accessories spanning a wide range of industrial uses. Dixon®'s range includes products for food, dairy processing, beverage and brewery, mobile tankers, mining, construction, chemical processing, petroleum, oilfields, refining and manufacturing.

[dixonvalve.com](http://dixonvalve.com) • *Customer Service:* 877.963.4966



*The Right Connection®*

**Dixon®**

800 High Street, Chestertown, MD 21620

ph: 877.963.4966

fx: 800.283.4966

connect with us

