

One-Piece Fittings CATALOG



Muncie[®]
Power
Products



INTERPUMP
FLUID SOLUTIONS

MEMBERS OF THE INTERPUMP GROUP

Muncie Power Products is a leading manufacturer and distributor of power take-offs and fluid power components for the work truck industry. Since the company was founded in 1935, Muncie Power Products has taken great pride in providing unparalleled service to each and every customer.

As a member of the Interpump Group, Muncie Power Products is excited to expand its hydraulics offering by bringing the Interpump Fluid Solutions line of hose, fittings and crimpers – ***Built to INTERconnect*** – into North America. For more than 30 years, Interpump Fluid Solutions has been a leading producer of high-quality hose and fittings. With inventory available from locations in Indiana and Texas, Muncie Power Products is ready to meet the needs of the North American market.

One-Piece Fittings

Braided Hose No-Skive
Spiral Hose No-Skive

We also have the following catalogs:

Introduction and Technical
Information
Hydraulic Hose
Accessories



Braided Hose No-Skive



Content Overview



0370G



NPTF Male 30° Cone

7

037GG



NPTF Male Parallel
30° Cone Swivel

8

N051G



NPSM Female 30°
Cone Rolled Nut

8



0850G



JIC Male 37° Cone

9

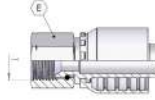
0911G



JIC Female 37° Cone –
Rolled Nut

10

0900G



JIC Female 37° Cone –
Thrust Wire Nut

11

1001G



JIC 90° Swept Elbow
37° Cone – Rolled Nut

11

1000G



JIC 45° Swept Elbow
37° Cone – Slip-on Nut

12

0951G



JIC 90° Swept Elbow
37° Cone
– Rolled Nut

12

0950G



JIC 90° Swept Elbow
37° Cone
– Thrust Wire Nut

13

095LG



JIC 90° Swept Elbow
37° Cone – Long Drop
Rolled Nut

13

2971G



JIC 90° Compact
Elbow 37° Cone
– Crimped Nut

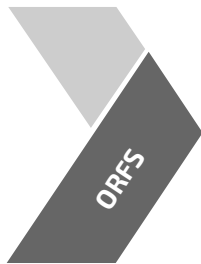
14

2970G



JIC 90° Compact
Elbow 37° Cone –
Thrust Wire Nut

14



S350G



ORFS Male

15

S05TG



ORFS Female Double
Hexagon

15

S250G



ORFS 45° Swept
Elbow

15

S150G



ORFS 90° Swept
Elbow

17

S15LG



ORFS 90° Swept
Elbow – Long Drop

17

S15SG



ORFS 90° Swept
Elbow – Short Drop

18



0385G



SAE Male O-Ring Boss

19

0390G



Swivel Male O-Ring Boss

19

0395G



90° Male O-Ring Boss Swivel

20



IF00G



Straight Male Inverted Flare Swivel

20

IF45G



45° Male Inverted Flare Swivel

21

IF90G



90° Male Inverted Flare Swivel

21



0930G



JIS Female 60° Cone (Toyota)

22

0980G



90° JIS Swept Elbow (Toyota) – Welded

22



0940G



JIS Female 60° Cone (Komatsu)

23

1040G



45° JIS Swept Elbow (Komatsu) – Welded

23

0990G



90° JIS Swept Elbow (Komatsu) – Welded

24

1250G



Straight Komatsu Flange

24

1150G



45° Komatsu Flange

24

1150G



90° Komatsu Flange

24



K05BG



Kobelco Male

25



0360G



BSP Taper Male 60° Cone

26

0350G



BSP Male Parallel 60° Cone

27

0051G



BSP Female 60° Cone – Rolled Nut

28

0052G



BSP Female 60° Cone – Slip-on Nut

28



0050G



BSP Female 60° Cone
– Thrust Wire Nut

29

0251G



BSP 45° Swept Elbow
60° Cone – Rolled Nut

30

0252G



BSP 45° Swept Elbow
60° Cone – Slip-on Nut

30

0250G



BSP 45° Swept Elbow 60°
Cone – Thrust Wire Nut

31

0151G



BSP 90° Swept Elbow
60° Cone Rolled Nut

32

0152G



BSP 90° Swept Elbow
60° Cone – Slip-on Nut

32

0150G



BSP 90° Swept Elbow 60°
Cone – Thrust Wire Nut

33

0041G



BSP O-Ring Female
60° Cone – Rolled Nut

34

0042G



BSP O-Ring Female 60°
Cone – Slip-on Nut

34

0241G



BSP O-Ring 45° Swept
Elbow 60° Cone – Rolled Nut

35

0242G



BSP O-Ring 45° Swept Elbow
60° Cone – Slip-on Nut

35

0141G



BSP O-Ring 90° Swept Elbow
60° Cone – Rolled Nut

36

0142G



BSP O-Ring 90° Swept Elbow
60° Cone – Slip-on Nut

36

2321G



BSP 90° Compact Elbow
60° Cone – Rolled Nut

37

2320G



BSP 90° Compact Elbow
60° Cone – Thrust Wire Nut

37

0345G



BSP Male Flat Seal

38

0060G



BSP Female Flat Seal

38

1400G



BSP Banjo

39

1600-00



BSP Perforated Bolt

40

1600



BSP Double
Perforated Bolt

40

FK50G



Karcher Female

41

**Metric
Standpipe**

0550G



Metric Standpipe

42

0750G



45° Metric Standpipe

43

0750G



45° Metric Standpipe
(Welded)

43

0650G



90° Metric Standpipe

44

0650G



90° Metric Standpipe
(Welded)

44

**Metric
Banjo/Bolt**

1350G



Metric Banjo

45

1650



Metric Perforated Bolt

45

**French
Metric GAZ**

0430G



French Metric GAZ
Male 24° Cone

46

0030G



French Metric GAZ
Female 24° Cone

46

0130G



French Metric GAZ 90°
Swept Elbow 24° Cone

46

Metric 60°

0100G



Metric Female 60°
Cone

47

0200G



90° Metric Swept
Elbow 60° Cone

47

**Metric DIN 24°
DKL Multiseal**

0035G



Metric Female Light
Multiseal 24° Cone

48

0135G



90° Metric Multiseal
Swept Elbow 24° Cone

48

**Metric DIN
24° DKOL**

0500G



Metric Male 24°
Seat Light

49



0085G



Metric Female 24°
Seat Light

50

0085G



Metric Female 24°
Seat Light
(Rolled Nut)

50

0285G



45° Metric Swept
Elbow 24° Seat Light

51

0285G



45° Metric Swept
Elbow 24° Seat Light
(Rolled Nut)

51

0185G



90° Metric Swept
Elbow 24° Seat Light

52

0185G



90° Metric Swept
Elbow 24° Seat Light
(Rolled Nut)

52



0450G



Metric Male 24°
Seat Heavy

53

0084G



Metric Female 24°
Seat Heavy

54

0284G



45° Metric Swept
Elbow 24° Seat Heavy

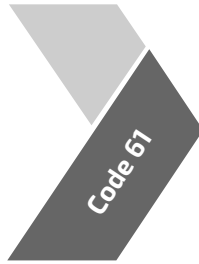
55

0184G



90° Metric Swept
Elbow 24° Seat Heavy

56



1260G



Straight SAE
Code 61 Flange

57

1160G



45° SAE
Code 61 Flange

57

1060G



90° SAE
Code 61 Flange

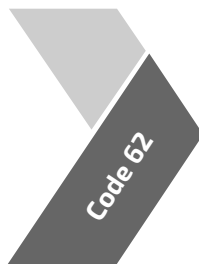
58

1060G



22.5°/30°/60°/67.5°/
110°/135° SAE Code
61 Flange

59



1310G



Straight SAE Code 62
Flange

60

1110G



90° SAE Code 62
Flange

61

1210G



45° SAE Code 62
Flange

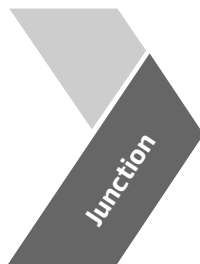
62

1105G



90° 'CAT' Flange

62



D050G

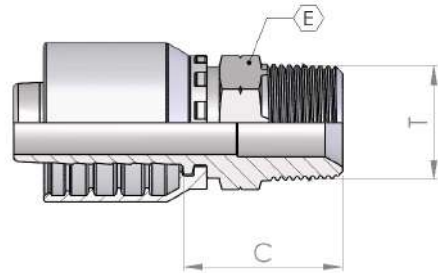


Hose Junction

63

0370G

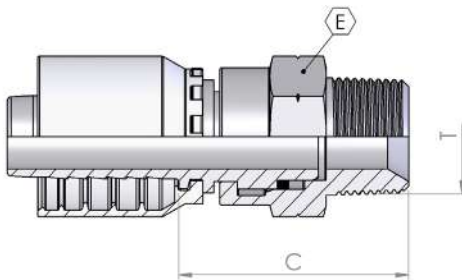
NPTF Male 30° Cone



Part number	Hose I.D.		Dimension			
	in	mm	dash size	thread	hex	cut-off
				T	E	C
0370G03-02	3/16	4.8	03	1/8-27	12	22
0370G03-04	3/16	4.8	03	1/4-18	15	27
0370G04-02	1/4	6.4	04	1/8-27	12	22
0370G04-04	1/4	6.4	04	1/4-18	15	28
0370G04-06	1/4	6.4	04	3/8-18	19	28
0370G04-08	1/4	6.4	04	1/2-14	22	33.5
0370G05-04	5/16	7.9	05	1/4-18	15	28
0370G05-06	5/16	7.9	05	3/8-18	19	28
0370G05-08	5/16	7.9	05	1/2-14	22	34
0370G06-04	3/8	9.5	06	1/4-18	17	28
0370G06-06	3/8	9.5	06	3/8-18	19	28
0370G06-08	3/8	9.5	06	1/2-14	22	34
0370G08-06	1/2	12.7	08	3/8-18	19	29
0370G08-08	1/2	12.7	08	1/2-14	22	35
0370G08-12	1/2	12.7	08	3/4-14	27	36
0370G10-08	5/8	15.9	10	1/2-14	24	35
0370G10-12	5/8	15.9	10	3/4-14	27	36
0370G12-08	3/4	19.0	12	1/2-14	24	36
0370G12-12	3/4	19.0	12	3/4-14	27	37
0370G12-16	3/4	19.0	12	1 - 11 1/2	36	43
0370G16-12	1	25.4	16	3/4-14	32	38
0370G16-16	1	25.4	16	1 - 11 1/2	36	44
0370G16-20	1	25.4	16	1 1/4 - 11 1/2	46	46
0370G20-16	1 1/4	31.8	20	1 - 11 1/2	41	45
0370G20-20	1 1/4	31.8	20	1 1/4 - 11 1/2	46	47
0370G24-24	1 1/2	38.1	24	1 1/2 - 11 1/2	50	49
0370G32-32	2	50.8	32	2 - 11 1/2	65	55



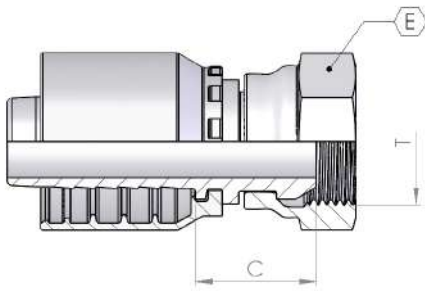
037GG



NPTF Male Parallel 30° Cone – Swivel

Part number	Hose I.D.		Dimension			
	in	mm	dash size	thread	hex	cut-off
				T	E	C
037GG04-04	1/4	6.4	04	1/4-18	19	39
037GG04-06	1/4	6.4	04	3/8-18	22	44
037GG04-08	1/4	6.4	04	1/2-14	27	52.5
037GG06-04	3/8	9.5	05	1/4-18	22	46.5
037GG06-06	3/8	9.5	06	3/8-18	22	43
037GG06-08	3/8	9.5	06	1/2-14	27	49
037GG08-06	1/2	12.7	08	3/8-18	22	45
037GG08-08	1/2	12.7	08	1/2-14	27	49
037GG10-12	5/8	15.9	10	3/4-14	32	52.5
037GG12-12	3/4	19.0	12	3/4-14	32	52
037GG16-16	1	25.4	16	1 - 11 1/2	38	65

N051G

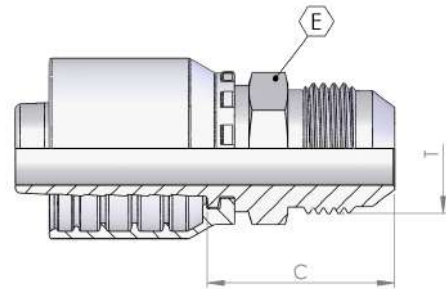


NPSM Female 30° Cone – Rolled Nut

Part number	Hose I.D.		Dimension			
	in	mm	dash size	thread	hex	cut-off
				T	E	C
N051G03-04	3/16	4.8	03	1/4-18	19	17
N051G04-04	1/4	6.4	04	1/4-18	19	17
N051G06-06	3/8	9.5	06	3/8-18	22	19
N051G08-06	1/2	12.7	08	3/8-18	22	20
N051G08-08	1/2	12.7	08	1/2-14	27	23
N051G12-12	3/4	19.0	12	3/4-14	32	25
N051G16-16	1	25.4	16	1 - 11 1/2	38	27

0850G

JIC Male 37° Cone



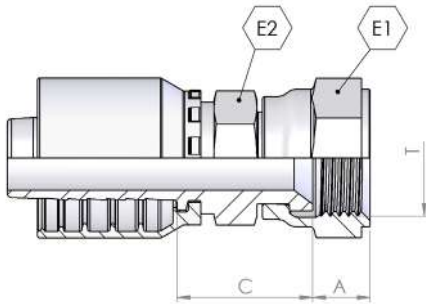
Part number	Hose I.D.		Dimension			
	in	mm	dash size	thread	hex	cut-off
				T	E	C
0850G03-04	3/16	4.8	03	7/16-20	12	26
0850G04-04	1/4	6.4	04	7/16-20	12	27
0850G04-05	1/4	6.4	04	1/2-20	14	27
0850G04-06	1/4	6.4	04	9/16-18	15	27
0850G05-05	5/16	7.9	05	1/2-20	14	27
0850G05-06	5/16	7.9	05	9/16-18	15	27
0850G05-08	5/16	7.9	05	3/4-16	19	30
0850G06-05	3/8	9.5	06	1/2-20	14	25
0850G06-06	3/8	9.5	06	9/16-18	15	27
* SAE 45° 0850G06-07	3/8	9.5	06	5/8-18	17	30
0850G06-08	3/8	9.5	06	3/4-16	19	30
0850G06-10	3/8	9.5	06	7/8-14	24	34
0850G08-06	1/2	12.7	08	9/16-18	19	28
0850G08-08	1/2	12.7	08	3/4-16	19	31
0850G08-10	1/2	12.7	08	7/8-14	24	35
0850G08-12	1/2	12.7	08	1 1/16-12	27	37
0850G10-10	5/8	15.9	10	7/8-14	24	35
0850G10-12	5/8	15.9	10	1 1/16-12	27	37
0850G12-10	3/4	19.0	12	7/8-14	24	36
0850G12-12	3/4	19.0	12	1 1/16-12	27	38
0850G12-14	3/4	19.0	12	1 3/16-12	32	41
0850G12-16	3/4	19.0	12	1 5/16-12	34	42
0850G12-20	3/4	19.0	12	1 5/8-12	42	45
0850G16-12	1	25.4	16	1 1/16-12	27	39
0850G16-14	1	25.4	16	1 3/16-12	32	42
0850G16-16	1	25.4	16	1 5/16-12	34	43
0850G16-20	1	25.4	16	1 5/8-12	42	46
0850G20-20	1 1/4	31.8	20	1 5/8-12	42	47
0850G20-24	1 1/4	31.8	20	1 7/8-12	50	52
0850G24-24	1 1/2	38.1	24	1 7/8-12	50	52
0850G32-32	2	50.8	32	2 1/2-12	65	62

* SAE 45°



0911G

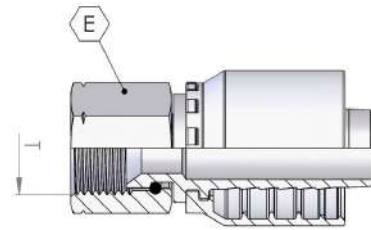
JIC Female 37° Cone – Rolled Nut



Part number	Hose I.D.		Dimension				
	in	mm	dash size	thread	hex	cut-off	
				T	E	C	A
0911G03-04	3/16	4.8	03	7/16-20	15	14	8.5
0911G03-05	3/16	4.8	03	1/2-20	17	14	9.5
0911G04-04	1/4	6.4	04	7/16-20	15	14	8.5
0911G04-05	1/4	6.4	04	1/2-20	17	15	9.5
0911G04-06	1/4	6.4	04	9/16-18	19	16	9
*SAE 45° 0911G04-07	1/4	6.4	04	5/8-18	22	17	11
0911G05-05	5/16	7.9	05	1/2-20	17	17	9.5
0911G05-06	5/16	7.9	05	9/16-18	19	16	9
*SAE 45° 0911G05-07	5/16	7.9	05	5/8-18	22	17	11
0911G05-08	5/16	7.9	05	3/4-16	24	17	10.5
0911G06-04	3/8	9.5	06	7/16-20	15	15	9
0911G06-05	3/8	9.5	06	1/2-20	17	15	9.5
0911G06-06	3/8	9.5	06	9/16-18	19	16	9
*SAE 45° 0911G06-07	3/8	9.5	06	5/8-18	22	16	11
0911G06-08	3/8	9.5	06	3/4-16	24	17	10.5
0911G06-10	3/8	9.5	06	7/8-14	27	21	13
0911G08-06	1/2	12.7	08	9/16-18	19	22	25
0911G08-08	1/2	12.7	08	3/4-16	24	18	10.5
0911G08-10	1/2	12.7	08	7/8-14	27	19	13
0911G08-12	1/2	12.7	08	1 1/16-12	32	24	13.5
0911G10-08	5/8	15.9	10	3/4-16	24	22	25
0911G10-10	5/8	15.9	10	7/8-14	27	19	13
0911G10-12	5/8	15.9	10	1 1/16-12	32	21	13.5
0911G12-10	3/4	19.0	12	7/8-14	27	20	13
0911G12-12	3/4	19.0	12	1 1/16-12	32	22	13.5
0911G12-14	3/4	19.0	12	1 3/16-12	36	23	14
0911G12-16	3/4	19.0	12	1 5/16-12	38	23	15.5
0911G16-12	1	25.4	16	1 1/16-12	32	23	13.5
0911G16-16	1	25.4	16	1 5/16-12	38	24	15.5

0900G

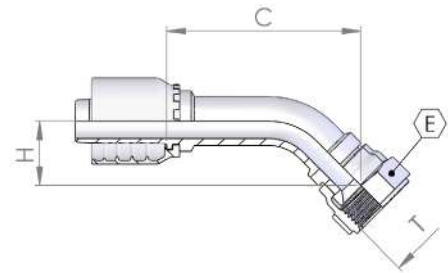
JIC Female 37° Cone – Thrust Wire Nut



Part number	Hose I.D.		Dimension					
	in	mm	dash size	thread	hex	cut-off		
				T	E	C	A	
*SAE 45°	0900G06-07	3/8	9.5	06	5/8-18	22	16	11
	0900G16-12	1	25.4	16	1 1/16-12	32	23	13.5
	0900G16-20	1 1/4	31.8	20	1 5/16-12	41	39	16.5
	0900G20-16	1 1/4	31.8	20	1 5/16-12	41	39	15.5
	0900G20-20	1 1/4	31.8	20	1 5/8-12	50	28	16.5
	0900G24-24	1 1/2	38.1	24	1 7/8-12	55	31	19
	0900G32-32	2	50.8	32	2 1/2-12	70	31	20

1001G

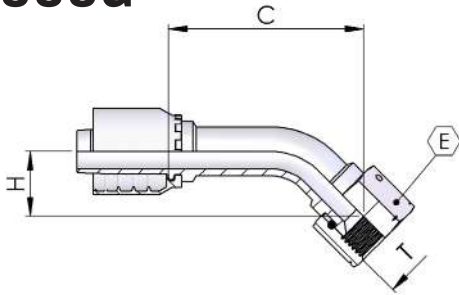
JIC 90° Swept Elbow 37° Cone – Rolled Nut



Part number	Hose I.D.		Dimension					
	in	mm	dash size	thread	hex	cut-off	drop	
				T	E	C	H	
	1001G03-04	3/16	4.8	03	7/16-20	15	33	15
	1001G04-04	1/4	6.4	04	7/16-20	15	38	13
	1001G04-05	1/4	6.4	04	1/2-20	17	40	14
	1001G04-06	1/4	6.4	04	9/16-18	19	47	18
	1001G05-05	5/16	7.9	05	1/2-20	17	16	17
	1001G05-06	5/16	7.9	05	9/16-18	19	47	18
	1001G06-05	3/8	9.5	06	1/2-20	17	51	17
	1001G06-06	3/8	9.5	06	9/16-18	19	51	17
*SAE 45°	1001G06-07	3/8	9.5	06	5/8-18	22	51	17
	1001G06-08	3/8	9.5	06	3/4-16	24	52	19
	1001G06-10	3/8	9.5	06	7/8-14	27	54	21
	1001G08-08	1/2	12.7	08	3/4-16	24	62	22
	1001G08-10	1/2	12.7	08	7/8-14	27	64	23
	1001G08-12	1/2	12.7	08	1 1/16-12	32	68	25
	1001G10-10	5/8	15.9	10	7/8-14	27	68	24
	1001G10-12	5/8	15.9	10	1 1/16-12	32	70	25
Welded	1001G12-10	3/4	19.0	12	7/8-14	27	83	27
	1001G12-12	3/4	19.0	12	1 1/16-12	32	84	28
	1001G12-16	3/4	19.0	12	1 5/16-12	38	88	30
	1001G16-12	1	25.4	16	1 1/16-12	32	103	32
	1001G16-16	1	25.4	16	1 5/16-12	38	104	33



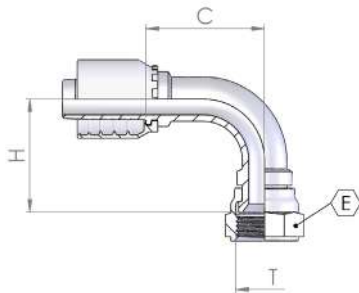
1000G



JIC 45° Swept Elbow 37° Cone – Slip on Nut

Part number	Hose I.D.		Dimension				
	in	mm	dash size	thread	hex	cut-off	drop
				T	E	C	H
1000G16-20	1	25.4	16	1 1/16-12	32	103	32
1000G20-20	1 1/4	31.8	20	1 5/8-12	50	102	40
1000G20-24	1 1/4	31.8	20	1 7/8-12	55	89	39
1000G24-24	1 1/2	38.1	24	1 7/8-12	55	119	49
1000G32-32	2	50.8	32	2 1/2-12	70	142	65

0951G

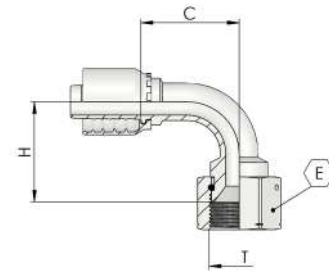


JIC 90° Swept Elbow 37° Cone – Rolled Nut

Part number	Hose I.D.		Dimension				
	in	mm	dash size	thread	hex	cut-off	drop
				T	E	C	H
0951G03-04	3/16	4.8	03	7/16-20	15	22	22
0951G03-05	3/16	4.8	03	1/2-20	17	22	22
0951G04-04	1/4	6.4	04	7/16-20	15	25	24
0951G04-05	1/4	6.4	04	1/2-20	17	25	25
0951G04-06	1/4	6.4	04	9/16-18	19	25	27
0951G05-05	5/16	7.9	05	1/2-20	17	29	30
0951G05-06	5/16	7.9	05	9/16-18	19	29	31
0951G06-05	3/8	9.5	06	1/2-20	17	33	30
0951G06-06	3/8	9.5	06	9/16-18	19	31	32
*SAE 45° 0951G06-07	3/8	9.5	06	5/8-18	22	33	32
0951G06-08	3/8	9.5	06	3/4-16	24	33	34
0951G06-10	3/8	9.5	06	7/8-14	27	33	36
0951G08-08	1/2	12.7	08	3/4-16	24	41	41
0951G08-10	1/2	12.7	08	7/8-14	27	41	40
0951G08-12	1/2	12.7	08	1 1/16-12	32	39	43
0951G10-10	5/8	15.9	10	7/8-14	27	43	44
0951G10-12	5/8	15.9	10	1 1/16-12	32	45	47
Welded 0951G12-10	3/4	19.0	12	7/8-14	27	56	53
0951G12-12	3/4	19.0	12	1 1/16-12	32	56	54
0951G12-14	3/4	19.0	12	1 3/16-12	36	57	53
0951G12-16	3/4	19.0	12	1 5/16-12	38	55	56
0951G16-12	1	25.4	16	1 1/16-12	32	70	63
0951G16-16	1	25.4	16	1 5/16-12	38	70	65

0950G

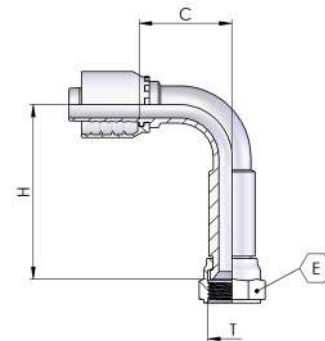
JIC 90° Swept Elbow 37° Cone – Thrust Wire Nut



Part number	Hose I.D.		Dimension				
	in	mm	dash size	thread	hex	cut-off	drop
				T	E	C	H
*SAE 45° 0950G06-07	3/8	9.5	06	5/8-18	22	33	32
0950G20-20	1 1/4	31.8	20	1 5/8-12	50	87	83
0950G24-24	1 1/2	38.1	24	1 7/8-12	55	102	97
0950G32-32	2	50.8	32	2 1/2-12	70	125	134

095LG

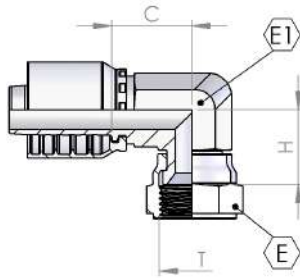
JIC 90° Swept Elbow 37° Cone – Long Drop - Rolled Nut



Part number	Hose I.D.		Dimension				
	in	mm	dash size	thread	hex	cut-off	drop
				T	E	C	H
095LG04-04	1/4	6.4	04	7/16-20	15	26.5	46
095LG04-06	1/4	6.4	04	9/16-18	19	25.5	54
095LG06-06	3/8	9.5	06	9/16-18	19	32.5	54
095LG06-08	3/8	9.5	06	3/4-16	24	33.5	64
095LG08-08	1/2	12.7	08	3/4-16	24	40.5	64
095LG08-10	1/2	12.7	08	7/8-14	27	40.5	70
095LG10-10	5/8	15.9	10	7/8-14	27	43	70
095LG10-12	5/8	15.9	10	1 1/16-12	32	45.5	96
095LG12-10	3/4	19.0	12	7/8-14	27	42.5	70
095LG12-12	3/4	19.0	12	1 1/16-12	32	70.5	96
095LG12-16	3/4	19.0	12	1 5/16-12	38	55.5	114
095LG16-16	1	25.4	15	1 5/16-12	38	69.5	114



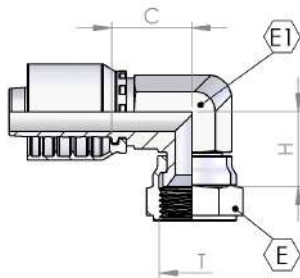
2971G



JIC 90° Compact Elbow 37° Cone – Crimped Nut

Part number	Hose I.D.		Dimension					
	in	mm	dash size	thread	hex		cut-off	drop
				T	E	E1	C	H
2971G04-04	1/4	6.4	04	7/16-20	15	15	19	17
2971G04-05	1/4	6.4	04	1/2-20	17	15	19	18
2971G04-06	1/4	6.4	04	9/16-18	19	15	19	19
2971G05-06	5/16	7.9	05	9/16-18	19	17	20	20
2971G06-06	3/8	9.5	06	9/16-18	19	17	23	20
2971G06-08	3/8	9.5	06	3/4-16	24	22	24	22
2971G08-08	1/2	12.7	08	3/4-16	24	22	26	23
2971G08-10	1/2	12.7	08	7/8-14	27	22	26	24
2971G12-12	3/4	19.0	12	1 1/16-12	32	27	32	29
2971G16-16	1	25.4	16	1 5/16-12	38	32	38	34

2970G

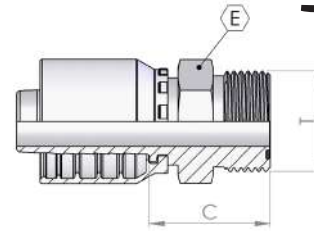


JIC 90° Compact Elbow 37° Cone – Thrust Nut Wire

Part number	Hose I.D.		Dimension					
	in	mm	dash size	thread	hex		cut-off	drop
				T	E	E1	C	H
2970G04-04	1/4	6.4	04	7/16-20	17	15	19	17
2970G04-06	1/4	6.4	04	9/16-18	19	15	19	19
2970G06-06	3/8	9.5	06	9/16-18	19	17	23	20
2970G06-08	3/8	9.5	06	3/4-16	24	22	24	22
2970G08-08	1/2	12.7	08	3/4-16	24	22	26	23
2970G08-10	1/2	12.7	08	7/8-14	27	22	26	24
2970G12-12	3/4	19.0	12	1 1/16-12	32	27	32	29

ORFS Male

S350G

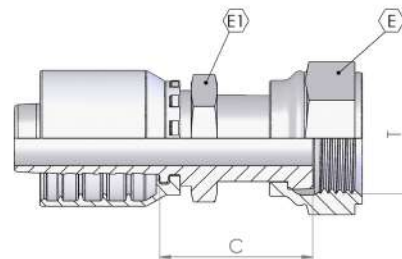


Part number	Hose I.D.		Dimension			
	in	mm	dash size	thread	hex	cut-off
				T	E	C
S350G04-06	1/4	6.4	04	9/16-18	17	23
S350G04-09	1/4	6.4	04	11/16-16	19	21
S350G05-09	5/16	7.9	05	11/16-16	19	26
S350G06-09	3/8	9.5	06	11/16-16	19	26
S350G06-11	3/8	9.5	06	13/16-16	22	29
S350G08-11	1/2	12.7	08	13/16-16	22	29
S350G08-13	1/2	12.7	08	1-14	27	34
S350G08-14	1/2	12.7	08	1 3/16-12	32	35
S350G10-13	5/8	15.9	10	1-14	27	33
S350G10-14	5/8	15.9	10	1 3/16-12	32	35
S350G12-14	3/4	19.0	12	1 3/16-12	32	36
S350G12-15	3/4	19.0	12	1 7/16-12	38	36
S350G16-15	1	25.4	16	1 7/16-12	38	37
S350G16-21	1	25.4	16	1 11/16-12	46	38
S350G20-21	1 1/4	31.8	20	1 11/16-12	46	39

With Cap and O-Ring.

ORFS Female Double Hexagon

S05TG

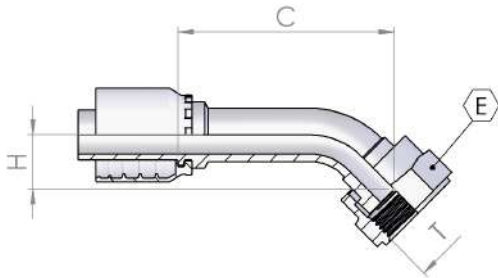


Part number	Hose I.D.		Dimension				
	in	mm	dash size	thread	hex	cut-off	
				T	E	E1	C
S05TG04-06	1/4	6.4	04	9/16-18	17	15	30
S05TG04-09	1/4	6.4	04	11/16-16	22	17	34
S05TG04-11	1/4	6.4	04	13/16-16	24	19	37
S05TG06-06	3/8	9.5	06	9/16-16	17	15	30
S05TG06-09	3/8	9.5	06	11/16-16	22	17	34
S05TG06-11	3/8	9.5	06	13/16-16	24	19	37
S05TG08-09	1/2	12.7	08	11/16-16	22	17	34
S05TG08-11	1/2	12.7	08	13/16-16	24	19	37
S05TG08-13	1/2	12.7	08	1-14	30	24	41
S05TG08-14	1/2	12.7	08	13/16-12	36	30	41
S05TG10-11	5/8	15.9	10	13/16-16	24	19	37
S05TG10-13	5/8	15.9	10	1-14	30	24	41
S05TG10-14	5/8	15.9	10	1 3/16-12	36	30	41
S05TG12-13	3/4	19.0	12	1-14	30	24	41
S05TG12-14	3/4	19.0	12	1 3/16-12	36	30	42
S05TG16-15	1	25.4	16	1 7/16-12	41	36	50
S05TG20-21	1 1/4	31.8	20	1 11/16-12	50	46	60
S05TG24-32	1 1/2	38.1	24	2-12	60	50	68



S250G

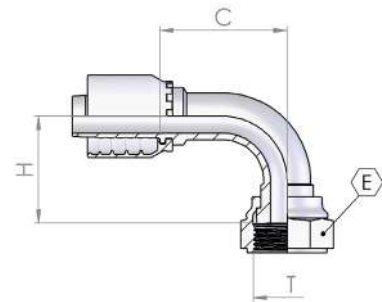
ORFS 45° Swept Elbow



Part number	Hose I.D.		Dimension				
	in	mm	dash size	thread	hex	cut-off	drop
				T	E	C	H
S250G04-06	1/4	6.4	04	9/16-18	19	40	14
S250G04-09	1/4	6.4	04	11/16-16	22	38	14
S250G05-09	5/16	7.9	05	11/16-16	22	44	14
S250G06-09	3/8	9.5	06	11/16-16	22	52	17
S250G06-11	3/8	9.5	06	13/16-16	24	51	18
S250G08-09	1/2	12.7	08	11/16-16	22	38	14
S250G08-11	1/2	12.7	08	13/16-16	24	62	20
S250G08-13	1/2	12.7	08	1-14	30	64	23
S250G08-14	1/2	12.7	08	1 3/16-12	36	62	23
S250G10-13	5/8	15.9	10	1-14	30	67	22
Welded S250G10-14	5/8	15.9	10	1 3/16-12	36	44	18
Welded S250G12-13	3/4	19.0	12	1-14	30	40	15
S250G12-14	3/4	19.0	12	1 3/16-12	36	84	23
S250G12-15	3/4	19.0	12	1 7/16-12	41	84	26
S250G16-15	1	25.4	16	1 7/16-12	41	100	31
S250G16-21	1	25.4	16	1 11/16-12	50	60	24
Welded S250G20-21	1 1/4	31.8	20	1 11/16-12	50	125	44
Welded S250G24-32	1 1/2	38.1	24	2-12	60	78	29

S150G

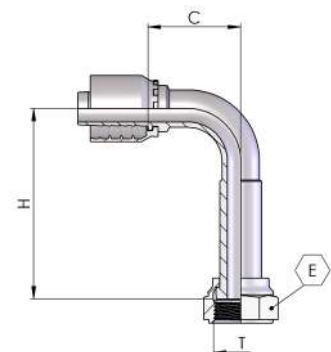
ORFS 90° Swept Elbow



Part number	Hose I.D.		Dimension				
	in	mm	dash size	thread	hex	cut-off	drop
				T	E	C	H
S150G04-06	1/4	6.4	04	9/16-18	19	25	26
S150G04-09	1/4	6.4	04	11/16-16	22	25	23
S150G05-09	5/16	7.9	05	11/16-16	22	29	32
S150G06-09	3/8	9.5	06	11/16-16	22	33	33
S150G06-11	3/8	9.5	06	13/16-16	24	33	32
S150G08-09	1/2	12.7	08	11/16-16	22	31	37
S150G08-11	1/2	12.7	08	13/16-16	24	39	36
S150G08-13	1/2	12.7	08	1-14	30	39	40
S150G08-14	1/2	12.7	08	1 3/16-12	36	42	39
S150G10-13	5/8	15.9	10	1-14	30	47	39
Welded S150G10-14	5/8	15.9	10	1 3/16-12	36	42	39
Welded S150G12-13	3/4	19.0	12	1-14	30	42	39
S150G12-14	3/4	19.0	12	1 3/16-12	36	57	49
S150G12-15	3/4	19.0	12	1 7/16-12	41	56	51
S150G16-15	1	25.4	16	1 7/16-12	41	67	62
Welded S150G16-21	1	25.4	20	1 11/16-12	50	62	58
Welded S150G20-21	1 1/4	31.8	20	1 11/16-12	50	63	58
Welded S150G24-32	1 1/2	38.1	24	2-12	60	80	73

S15LG

ORFS 90° Swept Elbow – Long Drop

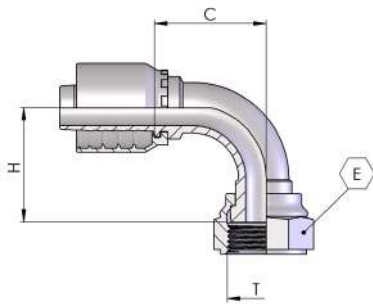


Part number	Hose I.D.		Dimension				
	in	mm	dash size	thread	hex	cut-off	drop
				T	E	C	H
S15LG08-11	1/2	12.7	08	13/16-16	24	40.5	64
S15LG12-14	3/4	19.0	12	1 3/16-12	36	57	96
S15LG16-15	1	25.4	16	1 7/16-12	41	68.5	114



S15SG

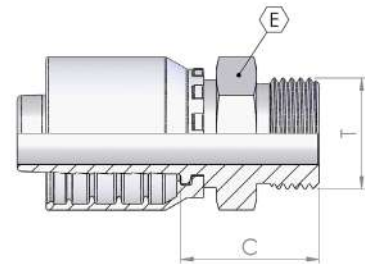
ORFS 90° Swept Elbow – Short Drop



Part number	Hose I.D.		Dimension				
	in	mm	dash size	thread	hex	cut-off	drop
				T	E	C	H
S15SG04-06	1/4	6.4	04	9/16-18	17	25.5	21
S15SG06-09	3/8	9.5	06	11/16-16	22	30	23
S15SG06-11	3/8	9.5	06	13/16-16	24	33	29
S15SG08-11	1/2	12.7	08	13/16-16	24	40	29

0385G

SAE Male O-Ring Boss

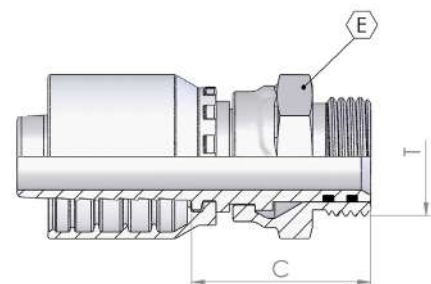


Part number	Hose I.D.		Dimension			
	in	mm	dash size	thread	hex	cut-off
				T	E	C
0385G04-04	1/4	6.4	04	7/16-20	14	24
0385G04-06	1/4	6.4	04	9/16-18	17	24
0385G05-06	5/16	7.9	05	9/16-18	17	24
0385G06-06	3/8	9.5	06	9/16-18	17	25
0385G06-08	3/8	9.5	06	3/4-16	22	28
0385G08-08	1/2	12.7	08	3/4-16	22	28
0385G08-10	1/2	12.7	08	7/8-14	27	30
0385G08-12	1/2	12.7	08	1 1/16-12	32	32
0385G10-08	5/8	15.9	10	3/4-16	22	28
0385G10-10	5/8	15.9	10	7/8-14	27	30
0385G10-12	5/8	15.9	10	1 1/16-12	32	32
0385G12-12	3/4	19.0	12	1 1/16-12	32	33
0385G12-16	3/4	19.0	12	1 5/16-12	38	36
0385G16-16	1	25.4	16	1 5/16-12	38	37

Fitting ships with O-Ring.

0390G

Swivel Male O-Ring Boss

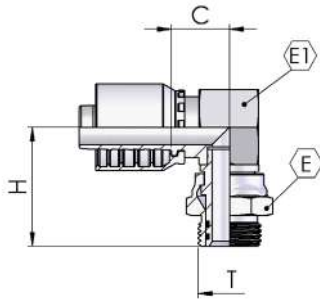


Part number	Hose I.D.		Dimension			
	in	mm	dash size	thread	hex	cut-off
				T	E	C
0390G08-10	1/2	12.7	08	7/8-14	27	39
0390G10-10	5/8	15.9	10	7/8-14	27	39
0390G12-12	3/4	19.0	12	1 1/16-12	32	43

Fitting ships with O-Ring.



0395G

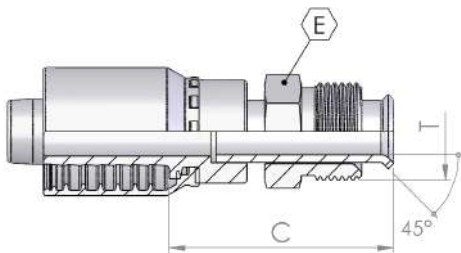


90° SAE Male O-Ring Boss Swivel

Part number	Hose I.D.		Dimension					
	in	mm	dash size	thread	hex		cut-off	drop
				T	E	E1	C	H
0395G08-08	1/2	12.7	08	3/4-16	24	27	28	42
0395G08-10	1/2	12.7	08	7/8-14	27	27	21	48
0395G10-10	5/8	15.9	10	7/8-14	27	27	21	48
0395G12-12	3/4	19.0	12	1 1/16-12	32	32	25	52

Fitting ships with O-Ring.

IF00G

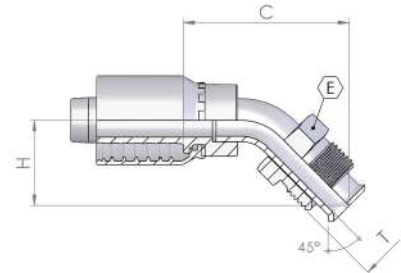


Straight Male Inverted Flare Swivel

Part number	Hose I.D.		Dimension			
	in	mm	dash size	thread	hex	cut-off
				T	E	C
IF00G04-04	1/4	6.4	04	7/16-24	12	38
IF00G04-05	1/4	6.4	04	1/2-20	14	55
IF00G05-04	5/16	7.9	05	7/16-24	12	56
IF00G05-05	5/16	7.9	05	1/2-20	14	56
IF00G05-07	5/16	7.9	05	5/8-18	17	56
IF00G06-04	3/8	9.5	06	7/16-24	12	56
IF00G06-05	3/8	9.5	06	1/2-20	14	56
IF00G06-07	3/8	9.5	06	5/8-18	17	57
IF00G06-09	3/8	9.5	06	11/16-18	19	42
IF00G08-08	1/2	12.7	08	3/4-18	19	60

IF45G

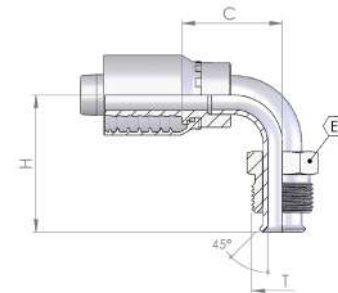
45° Male Inverted Flare Swivel



Part number	Hose I.D.		Dimension				
	in	mm	dash size	thread	hex	cut-off	drop
				T	E	C	H
IF45G04-04	1/4	6.4	04	7/16-24	12	48	24
IF45G04-05	1/4	6.4	04	1/2-20	14	48	24
IF45G06-04	3/8	9.5	06	7/16-24	12	48	25
IF45G06-05	3/8	9.5	06	1/2-20	14	48	25
IF45G06-07	3/8	9.5	06	5/8-18	17	54	30
IF45G06-09	3/8	9.5	06	11/16-18	19	54	30
IF45G08-08	1/2	12.7	08	3/4-18	19	60	35

IF90G

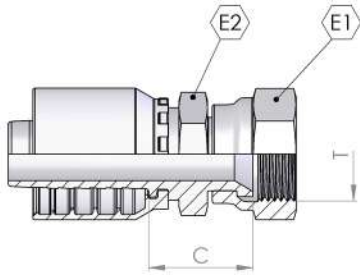
90° Male Inverted Flare Swivel



Part number	Hose I.D.		Dimension				
	in	mm	dash size	thread	hex	cut-off	drop
				T	E	C	H
IF90G04-04	1/4	6.4	04	7/16-24	12	29	36
IF90G04-05	1/4	6.4	04	1/2-20	14	30	34
IF90G05-04	5/16	7.9	05	7/16-24	12	24	38
IF90G05-05	5/16	7.9	05	1/2-20	14	30	35
IF90G05-07	5/16	7.9	05	5/8-18	17	30	43
IF90G06-04	3/8	9.5	06	7/16-24	12	30	35
IF90G06-05	3/8	9.5	06	1/2-20	14	30	35
IF90G06-07	3/8	9.5	06	5/8-18	17	31	44
IF90G06-09	3/8	9.5	06	11/16-18	19	31	42
IF90G08-08	1/2	12.7	08	3/4-18	19	35	45



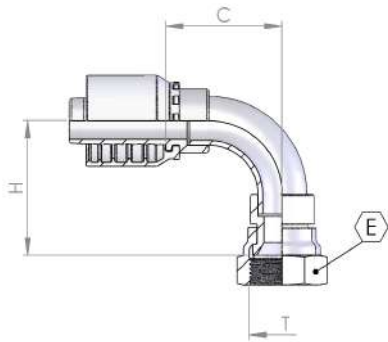
0930G



JIS Female 60° Cone (Toyota)

Part number	Hose I.D.		Dimension				
	in	mm	dash size	thread	hex		cut-off
				T	E	E1	C
0930G04-04	1/4	6.4	04	1/4-19	19	17	20
0930G06-06	3/8	9.5	06	3/8-19	22	19	22
0930G08-08	1/2	12.7	08	1/2-14	27	22	26
0930G12-12	3/4	19.0	12	3/4-14	32	30	29
0930G16-16	1	25.4	16	1-11	38	36	31
0930G20-20	1 1/4	31.8	20	1 1/4-11	50	46	35
0930G24-24	1 1/2	38.1	24	1 1/2-11	55	50	28

0980G

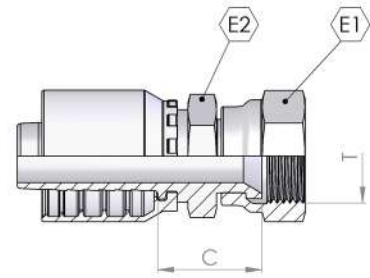


90° JIS Swept Elbow (Toyota) – Welded

Part number	Hose I.D.		Dimension				
	in	mm	dash size	thread	hex	cut-off	drop
				T	E	C	H
0980G04-04	1/4	6.4	04	1/4-19	19	38	35
0980G06-06	3/8	9.5	06	3/8-19	22	27	30
0980G08-08	1/2	12.7	08	1/2-14	27	33	39
0980G12-12	3/4	19.0	12	3/4-14	32	48	55
0980G16-16	1	25.4	16	1-11	38	57	62
0980G20-20	1 1/4	31.8	20	1 1/4-11	50	63	65
0980G24-24	1 1/2	38.1	24	1 1/2-11	55	80	83

JIS Female 60° Cone (Komatsu)

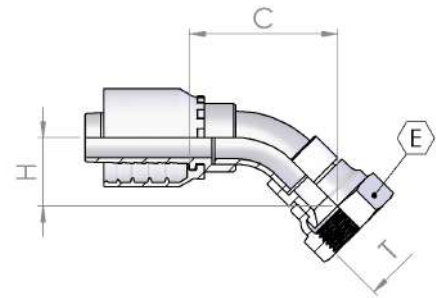
0940G



Part number	Hose I.D.		Dimension				
	in	mm	dash size	thread	hex		cut-off
				T	E	E1	C
0940G04-14	1/4	6.4	04	M14x1.5	19	17	22
0940G04-18	1/4	6.4	04	M18x1.5	24	19	21
0940G05-16	5/16	7.9	05	M16x1.5	22	17	22
0940G06-14	3/8	9.5	06	M14x1.5	19	17	22
0940G06-18	3/8	9.5	06	M18x1.5	24	19	21
0940G08-22	1/2	12.7	08	M22x1.5	27	22	27
0940G10-24	5/8	15.9	10	M24x1.5	30	27	26
0940G12-30	3/4	19.0	12	M30x1.5	36	30	30
0940G16-33	1	25.4	16	M33x1.5	41	36	33
0940G20-36	1 1/4	31.8	20	M36x1.5	46	46	37
0940G24-42	1 1/2	38.1	24	M42x1.5	50	50	38

45° JIS Swept Elbow (Komatsu) – Welded

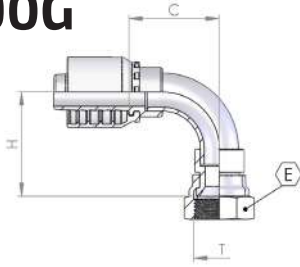
1040G



Part number	Hose I.D.		Dimension				
	in	mm	dash size	thread	hex	cut-off	drop
				T	E	C	H
1040G04-14	1/4	6.4	04	M14x1.5	19	44	18
1040G05-16	5/16	7.9	05	M16x1.5	22	38	18
1040G06-14	3/8	9.5	06	M14x1.5	19	41	18
1040G06-18	3/8	9.5	06	M18x1.5	24	43	18
1040G08-22	1/2	12.7	08	M22x1.5	27	40	20
1040G10-24	5/8	15.9	10	M24x1.5	30	50	26
1040G12-30	3/4	19.0	12	M30x1.5	36	56	26
1040G16-33	1	25.4	16	M33x1.5	41	65	33



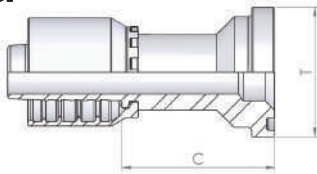
0990G



90° JIS Swept Elbow (Komatsu) – Welded

Part number	Hose I.D.		Dimension				
	in	mm	dash size	thread	hex	cut-off	drop
				T	E	C	H
0990G04-14	1/4	6.4	04	M14x1.5	19	38	35
0990G05-16	5/16	7.9	05	M16x1.5	22	27	30
0990G06-14	3/8	9.5	06	M14x1.5	19	31	33
0990G06-18	3/8	9.5	06	M18x1.5	24	31	33
0990G08-22	1/2	12.7	08	M22x1.5	27	33	39
0990G10-24	5/8	15.9	10	M24x1.5	30	42	48
0990G12-30	3/4	19.0	12	M30x1.5	36	48	43
0990G16-33	1	25.4	16	M33x1.5	41	57	62

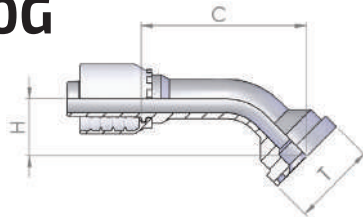
1250G



Straight Komatsu Flange

Part number	Hose I.D.		dash size	Dimension		
	in	mm		flange		cut-off
				T	mm	C
1250G10-10	5/8	15.9	10	5/8	34	56

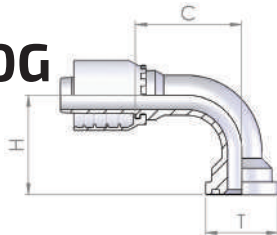
1150G



45° Komatsu Flange

Part number	Hose I.D.		dash size	Dimension			
	in	mm		flange		cut-off	drop
				T	mm	C	H
Welded 1150G10-10	5/8	15.9	10	5/8	34	23	54

1050G

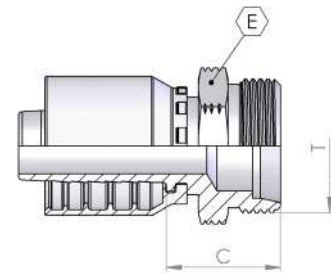


90° Komatsu Flange

Part number	Hose I.D.		dash size	Dimension			
	in	mm		flange		cut-off	drop
				T	mm	C	H
Welded 1050G10-10	5/8	15.9	10	5/8	34	48	47

Kobelco Male

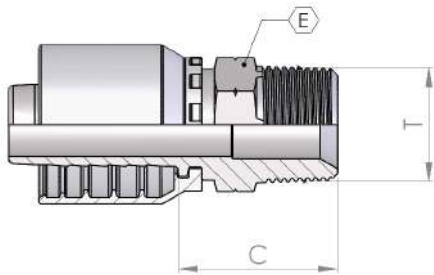
KO5BG



Part number	Hose I.D.		Dimension			
	in	mm	dash size	thread	hex	cut-off
				T	E	C
KO5BG10-30	5/8	15.9	10	M30x1.5	32	32
KO5BG12-30	3/4	19.0	12	M30x1.5	32	35
KO5BG12-36	3/4	19.0	12	M36x1.5	41	36
KO5BG16-36	1	25.4	16	M36x1.5	41	37
KO5BG16-45	1	25.4	16	M45x1.5	50	38



0360G

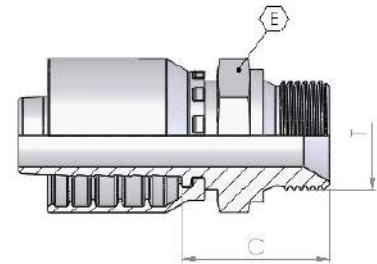


BSP Taper Male 60° Cone

Part number	Hose I.D.		Dimension			
	in	mm	dash size	thread	hex	cut-off
				T	E	C
0360G03-02	3/16	4.8	03	1/8-28	12	21
0360G03-04	3/16	4.8	03	1/4-19	15	27
0360G04-02	1/4	6.4	04	1/8-28	12	22
0360G04-04	1/4	6.4	04	1/4-19	15	28
0360G04-06	1/4	6.4	04	3/8-19	19	28
0360G05-04	5/16	7.9	05	1/4-19	15	28
0360G05-06	5/16	7.9	05	3/8-19	19	28
0360G06-04	3/8	9.5	06	1/4-19	17	28
0360G06-06	3/8	9.5	06	3/8-19	19	28
0360G06-08	3/8	9.5	06	1/2-14	22	33
0360G08-06	1/2	12.7	08	3/8-19	19	29
0360G08-08	1/2	12.7	08	1/2-14	22	34
0360G08-12	1/2	12.7	08	3/4-14	27	36
0360G10-08	5/8	15.9	10	1/2-14	22	34
0360G10-10	5/8	15.9	10	5/8-14	24	35
0360G10-12	5/8	15.9	10	3/4-14	27	36
0360G12-12	3/4	19.0	12	3/4-14	27	37
0360G12-16	3/4	19.0	12	1-11	36	43
0360G16-12	1	25.4	16	3/4-14	32	38.5
0360G16-16	1	25.4	16	1-11	36	44
0360G16-20	1	25.4	16	1 1/4-11	46	46
0360G20-20	1 1/4	31.8	20	1 1/4-11	46	47
0360G20-24	1 1/4	31.8	20	1 1/2-11	50	49
0360G24-24	1 1/2	38.1	24	1 1/2-11	50	49
0360G24-32	1 1/2	38.1	24	2-11	65	55
0360G32-32	2	50.8	32	2-11	65	55

0350G

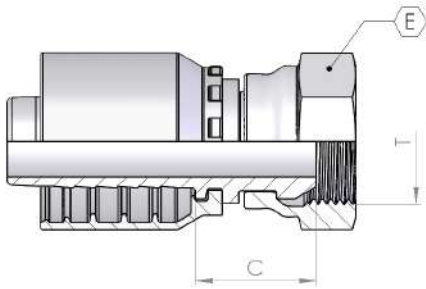
BSP Male Parallel 60° Cone



Part number	Hose I.D.		Dimension			
	in	mm	dash size	thread	hex	cut-off
				T	E	C
0350G03-02	3/16	4.8	03	1/8-28	14	21
0350G03-04	3/16	4.8	03	1/4-19	19	26
0350G04-02	1/4	6.4	04	1/8-28	14	21
0350G04-04	1/4	6.4	04	1/4-19	19	27
0350G04-06	1/4	6.4	04	3/8-19	22	28
0350G04-08	1/4	6.4	04	1/2-14	27	35
0350G05-04	5/16	7.9	05	1/4-19	19	27
0350G05-06	5/16	7.9	05	3/8-19	22	28
0350G05-08	5/16	7.9	05	1/2-14	27	32
0350G06-04	3/8	9.5	06	1/4-19	19	27
0350G06-06	3/8	9.5	06	3/8-19	22	29
0350G06-08	3/8	9.5	06	1/2-14	27	32
0350G08-06	1/2	12.7	08	3/8-19	22	29
0350G08-08	1/2	12.7	08	1/2-14	27	33
0350G08-10	1/2	12.7	08	5/8-14	30	34
0350G08-12	1/2	12.7	08	3/4-14	32	35
0350G10-08	5/8	15.9	10	1/2-14	27	33
0350G10-10	5/8	15.9	10	5/8-14	30	35
0350G10-12	5/8	15.9	10	3/4-14	32	35
0350G12-08	3/4	19.0	12	1/2-14	27	33.5
0350G12-12	3/4	19.0	12	3/4-14	32	36
0350G12-16	3/4	19.0	12	1-11	41	39
0350G16-12	1	25.4	16	3/4-11	32	37
0350G16-16	1	25.4	16	1-11	41	40
0350G16-20	1	25.4	16	1 1/4-11	50	44
0350G20-16	1 1/4	31.8	20	1-11	41	41
0350G20-20	1 1/4	31.8	20	1 1/4-11	50	45
0350G20-24	1 1/4	31.8	20	1 1/2-11	55	46
0350G24-24	1 1/2	38.1	24	1 1/2-11	55	46
0350G24-32	1 1/2	38.1	24	2-11	70	54
0350G32-24	2	50.8	32	1 1/2-11	65	50
0350G32-32	2	50.8	32	2-11	70	54



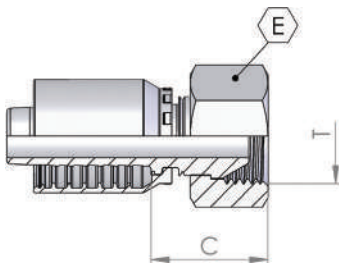
0051G



BSP Female 60° Cone – Rolled Nut

Part number	Hose I.D.		Dimension			
	in	mm	dash size	thread	hex	cut-off
				T	E	C
0051G03-02	3/16	4.8	03	1/8-28	14	15
0051G03-04	3/16	4.8	03	1/4-19	19	17
0051G04-02	1/4	6.4	04	1/8-28	14	15
0051G04-04	1/4	6.4	04	1/4-19	19	17
0051G04-06	1/4	6.4	04	3/8-19	22	19
0051G04-08	1/4	6.4	04	1/2-14	27	22
0051G05-04	5/16	7.9	05	1/4-19	19	17
0051G05-06	5/16	7.9	05	3/8-19	22	19
0051G05-08	5/16	7.9	05	1/2-14	27	22
0051G06-04	3/8	9.5	06	1/4-19	19	17
0051G06-06	3/8	9.5	06	3/8-19	22	19
0051G06-08	3/8	9.5	06	1/2-14	27	22
0051G08-06	1/2	12.7	08	3/8-19	22	20
0051G08-08	1/2	12.7	08	1/2-14	27	23
0051G08-10	1/2	12.7	08	5/8-14	30	20
0051G08-12	1/2	12.7	08	3/4-14	32	27
0051G10-08	5/8	15.9	10	1/2-14	27	23
0051G10-10	5/8	15.9	10	5/8-14	30	20
0051G10-12	5/8	15.9	10	3/4-14	32	25
0051G12-08	3/4	19.0	12	1/2-14	27	24
0051G12-12	3/4	19.0	12	3/4-14	32	25
0051G12-16	3/4	19.0	12	1-11	38	26
0051G16-12	1	25.4	16	3/4-14	32	27
0051G16-16	1	25.4	16	1-11	38	27

0052G

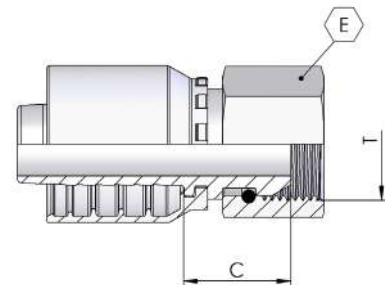


BSP Female 60° Cone – Slip-on Nut

Part number	Hose I.D.		Dimension			
	in	mm	dash size	thread	hex	cut-off
				T	E	C
0052G04-04	1/4	6.4	04	1/4 - 19	17	17
0052G06-06	3/8	9.5	06	3/8 - 19	19	17
0052G08-08	1/2	12.7	08	1/2 - 14	27	21

0050G

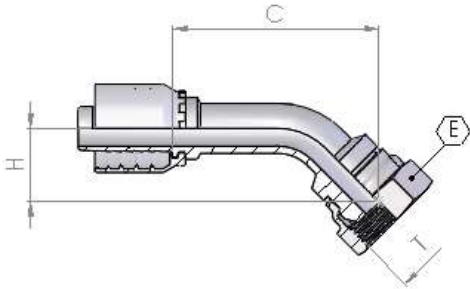
BSP Female 60° Cone – Thrust Wire Nut



Part number	Hose I.D.		Dimension			
	in	mm	dash size	thread	hex	cut-off
				T	E	C
0050G16-20	1	25.4	16	1 1/4-11	50	30
0050G20-16	1 1/4	31.8	20	1-11	38	41
0050G20-20	1 1/4	31.8	20	1 1/4-11	50	32
0050G20-24	1 1/4	31.8	20	1 1/2-11	55	34
0050G24-24	1 1/2	38.1	24	1 1/2-11	55	34
0050G24-32	1 1/2	38.1	24	2-11	70	34
0050G32-32	2	50.8	32	2-11	70	30



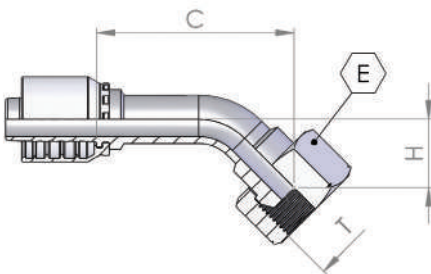
0251G



BSP 45° Swept Elbow 60° Cone – Rolled Nut

Part number	Hose I.D.		Dimension				
	in	mm	dash size	thread	hex	cut-off	drop
				T	E	C	H
0251G03-02	3/16	4.8	03	1/8-28	14	33	15
0251G03-04	3/16	4.8	03	1/4-19	19	35	15
0251G04-02	1/4	6.4	04	1/8-28	14	40	14
0251G04-04	1/4	6.4	04	1/4-19	19	41	15
0251G04-06	1/4	6.4	04	3/8-19	22	44	18
0251G05-04	5/16	7.9	05	1/4-19	19	47	16
0251G05-06	5/16	7.9	05	3/8-19	22	51	19
0251G06-04	3/8	9.5	06	1/4-19	19	50	16
0251G06-06	3/8	9.5	06	3/8-19	22	52	19
0251G06-08	3/8	9.5	06	1/2-14	27	55	21
0251G08-06	1/2	12.7	08	3/8-19	22	63	22
0251G08-08	1/2	12.7	08	1/2-12	27	65	24
0251G08-10	1/2	12.7	08	5/8-14	30	64	21
0251G08-12	1/2	12.7	08	3/4-14	32	67	26
0251G10-08	5/8	15.9	10	1/2-14	27	68	24
0251G10-10	5/8	15.9	10	5/8-14	30	68	23
0251G10-12	5/8	15.9	10	3/4-14	32	72	27
0251G12-12	3/4	19.0	12	3/4-14	32	86	30
0251G12-16	3/4	19.0	12	1-11	38	88	32
0251G16-16	1	25.4	16	1-11	38	107	35

0252G

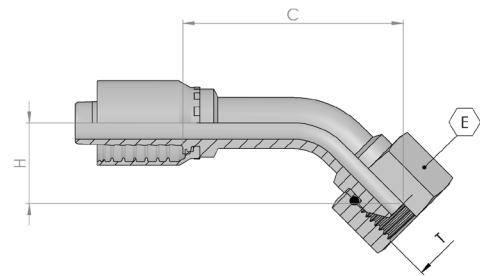


BSP 45° Swept Elbow 60° Cone – Slip-on Nut

Part number	Hose I.D.		Dimension				
	in	mm	dash size	thread	hex	cut-off	drop
				T	E	C	H
0252G04-04	1/4	6.4	04	1/4-19	17	41	15
0252G06-06	3/8	9.5	06	3/8-19	19	49	15
0252G08-08	1/2	12.7	08	1/2-14	27	61	19

0250G

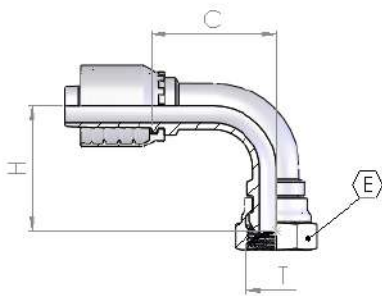
BSP 45° Swept Elbow 60° Cone – Thrust Wire Nut



Part number	Hose I.D.		Dimension				
	in	mm	dash size	thread	hex	cut-off	drop
				T	E	C	H
0250G16-20	1	25.4	16	1 1/4-11	50	70	33
0250G20-20	1 1/4	31.8	20	1 1/4-11	50	107	40
0250G20-24	1 1/4	31.8	20	1 1/2-11	55	91	41
0250G24-24	1 1/2	38.1	24	1 1/2-11	55	117	47
0250G32-32	2	50.8	32	2-11	70	142	65



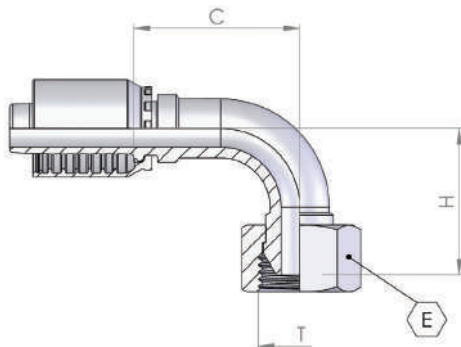
0151G



BSP 90° Swept Elbow 60° Cone – Rolled Nut

Part number	Hose I.D.		Dimension				
	in	mm	dash size	thread	hex	cut-off	drop
				T	E	C	H
0151G03-02	3/16	4.8	03	1/8-28	14	22	23
0151G03-04	3/16	4.8	03	1/4-19	19	22	25
0151G04-02	1/4	6.4	04	1/8-28	14	25	25
0151G04-04	1/4	6.4	04	1/4-19	19	25	27
0151G04-06	1/4	6.4	04	3/8-19	22	25	31
0151G05-04	5/16	7.9	05	1/4-19	19	31	31
0151G05-06	5/16	7.9	05	3/8-19	22	29	36
0151G06-04	3/8	9.5	06	1/4-19	19	31	33
0151G06-06	3/8	9.5	06	3/8-19	22	33	35
0151G06-08	3/8	9.5	06	1/2-14	27	31	40
0151G08-06	1/2	12.7	08	3/8-19	22	39	42
0151G08-08	1/2	12.7	08	1/2-14	27	39	41
0151G08-10	1/2	12.7	08	5/8-14	30	40	41
0151G08-12	1/2	12.7	08	3/4-14	32	41	46
0151G10-08	5/8	15.9	10	1/2-14	27	42	45
0151G10-10	5/8	15.9	10	5/8-14	30	43	43
0151G10-12	5/8	15.9	10	3/4-14	32	45	50
0151G12-12	3/4	19	12	3/4-14	32	56	57
0151G12-16	3/4	19	12	1-11	38	56	60
0151G16-16	1	25.4	16	1-11	38	70	67

0152G

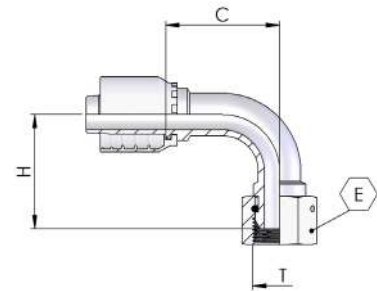


BSP 90° Swept Elbow 60° Cone – Slip-on Nut

Part number	Hose I.D.		Dimension				
	in	mm	dash size	thread	hex	cut-off	drop
				T	E	C	H
0152G04-04	1/4	6.4	04	1/4-19	17	27	26
0152G06-06	3/8	9.5	06	3/8-19	19	34	30
0152G08-08	1/2	12.7	08	1/2-14	27	42	38

0150G

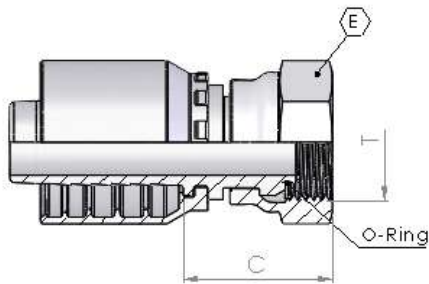
BSP 90° Swept Elbow 60° Cone – Thrust Wire Nut



Part number	Hose I.D.		Dimension				
	in	mm	dash size	thread	hex	cut-off	drop
				T	E	C	H
0150G20-20	1 1/4	31.8	20	1 1/4-11	50	86	81
0150G20-24	1 1/4	31.8	20	1 1/2-11	55	81	89
0150G24-24	1 1/2	38.1	24	1 1/2-11	55	103	95
0150G32-32	2	50.8	32	2-11	70	122	135



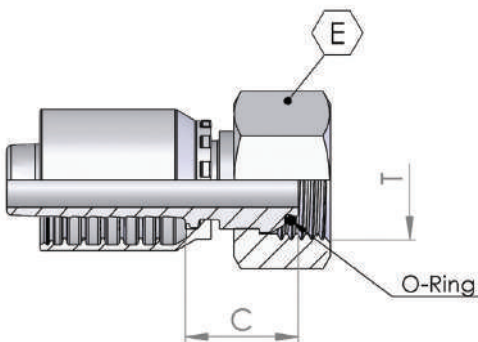
0041G



BSP O-Ring Female 60° Cone – Rolled Nut

Part number	Hose I.D.		Dimension			
	in	mm	dash size	thread	hex	cut-off
				T	E	C
0041G04-04	1/4	6.4	04	1/4-19	19	17
0041G06-06	3/8	9.5	06	3/8-19	22	19
0041G08-08	1/2	12.7	08	1/2-14	27	21
0041G10-10	5/8	15.9	10	5/8-14	30	21
0041G12-12	3/4	19.0	12	3/4-14	32	26
0041G16-16	1	25.4	16	1-11	38	28

0042G

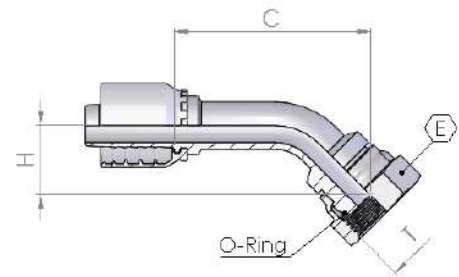


BSP O-Ring Female 60° Cone – Slip-on Nut

Part number	Hose I.D.		Dimension			
	in	mm	dash size	thread	hex	cut-off
				T	E	C
0042G04-04	1/4	6.4	04	1/4 - 19	17	17
0042G06-06	3/8	9.5	06	3/8 - 19	19	17
0042G08-08	1/2	12.7	08	1/2 - 14	27	20

0241G

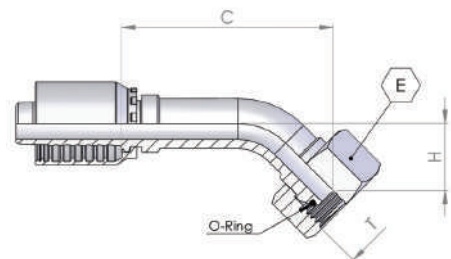
BSP O-Ring 45° Swept Elbow 60° Cone – Rolled Nut



Part number	Hose I.D.		Dimension				
	in	mm	dash size	thread	hex	cut-off	drop
				T	E	C	H
0241G04-04	1/4	6.4	04	1/4-19	19	41	15
0241G06-06	3/8	9.5	06	3/8-19	22	52	21
0241G08-08	1/2	12.7	08	1/2-14	27	63	22
0241G10-10	5/8	15.9	10	5/8-14	30	68	23
0241G12-12	3/4	19.0	12	3/4-14	32	88	28
0241G16-16	1	25.4	16	1-11	38	83	32

0242G

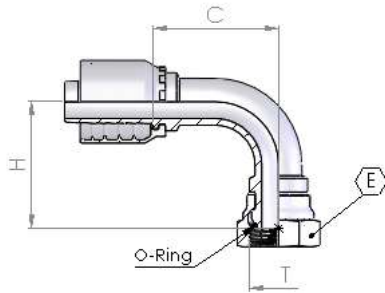
BSP O-Ring 45° Swept Elbow 60° Cone – Slip-on Nut



Part number	Hose I.D.		Dimension				
	in	mm	dash size	thread	hex	cut-off	drop
				T	E	C	H
0242G04-04	1/4	6.4	04	1/4-19	17	41	15
0242G06-06	3/8	9.5	06	3/8-19	19	49	15
0242G08-08	1/2	12.7	08	1/2-14	27	63	19



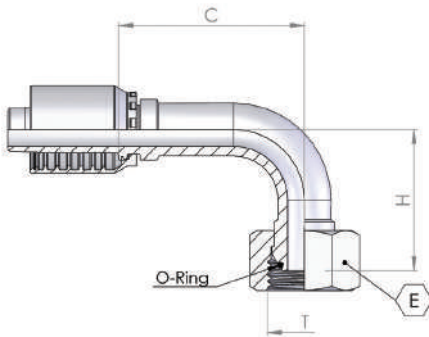
0141G



BSP O-Ring 90° Swept Elbow 60° Cone – Rolled Nut

Part number	Hose I.D.		Dimension				
	in	mm	dash size	thread	hex	cut-off	drop
				T	E	C	H
0141G04-04	1/4	6.4	04	1/4-19	19	25	27
0141G06-06	3/8	9.5	06	3/8-19	22	33	34
0141G08-08	1/2	12.7	08	1/2-14	27	41	40
0141G10-10	5/8	15.9	10	5/8-14	30	43	55
0141G12-12	3/4	19.0	12	3/4-14	32	56	54
0141G16-16	1	25.4	16	1-11	38	70	67

0142G

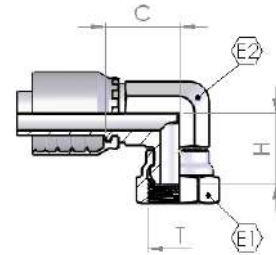


BSP 90° Swept Elbow 60° Cone – Slip-on Nut

Part number	Hose I.D.		Dimension				
	in	mm	dash size	thread	hex	cut-off	drop
				T	E	C	H
0142G04-04	1/4	6.4	04	1/4 - 19	17	27	24
0142G06-06	3/8	9.5	06	3/8 - 19	19	34	28
0142G08-08	1/2	12.7	08	1/2 - 14	27	42	37

2321G

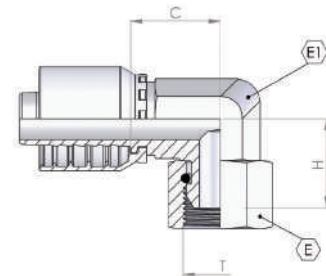
BSP 90° Compact Elbow 60° Cone – Rolled Nut



Part number	Hose I.D.		Dimension					
	in	mm	dash size	thread	hex		cut-off	drop
				T	E	E1	C	H
2321G04-04	1/4	6.4	04	1/4-19	19	15	19	20
2321G04-06	1/4	6.4	04	3/8-19	22	17	24	29
2321G05-06	5/16	7.9	05	3/8-19	22	17	24	23
2321G06-06	3/8	9.5	06	3/8-19	22	17	23	23
2321G06-08	3/8	9.5	06	1/2-14	27	19	28	26
2321G08-08	1/2	12.7	08	1/2-14	27	22	26	27
2321G12-12	3/4	19.0	12	3/4-14	32	27	32	32
2321G16-16	1	25.4	16	1-11	38	32	38	36

2320G

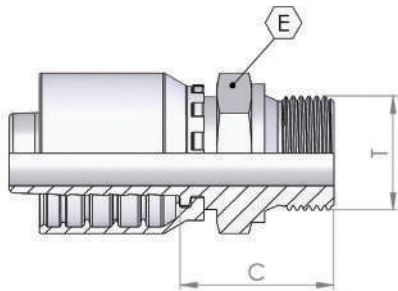
BSP 90° Compact Elbow 60° Cone – Thrust Wire Nut



Part number	Hose I.D.		Dimension					
	in	mm	dash size	thread	hex		cut-off	drop
				T	E1	E2	C	H
2320G04-04	1/4	6.4	04	1/4-19	19	15	19	20
2320G08-08	1/2	12.7	08	1/2-14	27	22	26	27



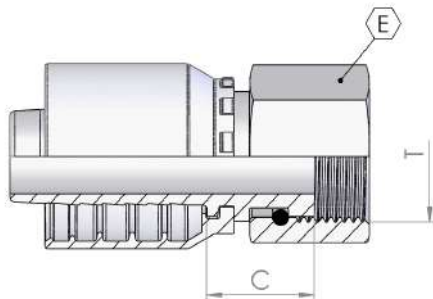
0345G



BSP Male Flat Seat

Part number	Hose I.D.		Dimension			
	in	mm	dash size	thread	hex	cut-off
				T	E	C
0345G04-04	1/4	6.4	04	1/4-19	19	27
0345G06-06	3/8	9.5	06	3/8-19	22	29
0345G06-08	3/8	9.5	06	1/2-14	27	32
0345G08-08	1/2	12.7	08	1/2-14	27	33
0345G12-12	3/4	19.0	12	3/4-14	32	36

0060G

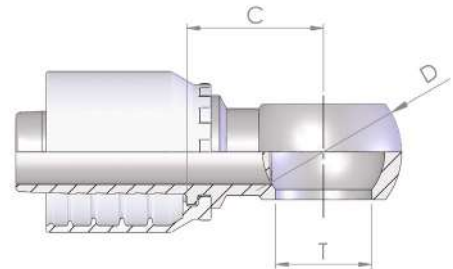


BSP Female Flat Seal

Part number	Hose I.D.		Dimension			
	in	mm	dash size	thread	hex	cut-off
				T	E	C
0060G04-04	1/4	6.4	04	1/4-19	19	14
0060G04-06	1/4	6.4	04	3/8-19	22	15
0060G05-04	5/16	7.9	05	1/4-19	19	14
0060G05-06	5/16	7.9	05	3/8-19	22	15
0060G05-08	5/16	7.9	05	1/2-14	27	17
0060G06-06	3/8	9.5	06	3/8-19	22	15
0060G06-08	3/8	9.5	06	1/2-14	27	16
0060G08-08	1/2	12.7	08	1/2-14	27	16
0060G08-10	1/2	12.7	08	5/8-14	30	16
0060G08-12	1/2	12.7	08	3/4-14	32	23
0060G10-10	5/8	15.9	10	5/8-14	30	16
0060G10-12	5/8	15.9	10	3/4-14	32	20
0060G12-12	3/4	19.0	12	3/4-14	32	21
0060G12-16	3/4	19.0	12	1-11	38	23
0060G16-16	1	25.4	16	1-11	38	22
0060G24-24	1 1/2	38.1	24	1 1/2-11	55	27

1400G

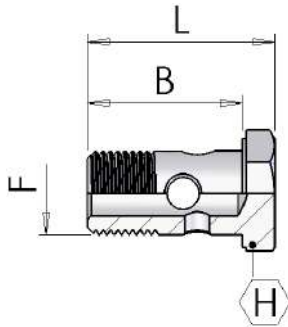
BSP Banjo



Part number	Hose I.D.		Dimension				
	in	mm	dash size	hole T	flange mm	D Øball	cut-off C
1400G03-02	3/16	4.8	03	1/8-28	10.2	17	19
1400G03-04	3/16	4.8	03	1/4-19	13.3	24	26
1400G04-02	1/4	6.4	04	1/8-28	10.2	17	25
1400G04-04	1/4	6.4	04	1/4-19	13.3	24	26
1400G04-06	1/4	6.4	04	3/8-19	17	28	26
1400G05-04	5/16	7.9	05	1/4-19	13.3	24	26
1400G05-06	5/16	7.9	05	3/8-19	17	28	26
1400G06-04	3/8	9.5	06	1/4-19	13.3	24	26
1400G06-06	3/8	9.5	06	3/8-19	17	28	26
1400G06-08	3/8	9.5	06	1/2-14	21.2	36	31
1400G08-06	1/2	12.7	08	3/8-19	17	28	27
1400G08-08	1/2	12.7	08	1/2-14	21.2	36	31
1400G08-10	1/2	12.7	08	5/8-14	23.1	38	29
1400G08-12	1/2	12.7	08	3/4-14	26.5	45	38
1400G10-10	5/8	15.9	10	5/8-14	23.1	39	29
1400G10-12	5/8	15.9	10	3/4-14	26.5	45	38
1400G12-12	3/4	19.0	12	3/4-14	26.5	45	38
1400G12-16	3/4	19.0	12	1-11	33.5	58	49
1400G16-16	1	25.4	16	1-11	33.5	58	50



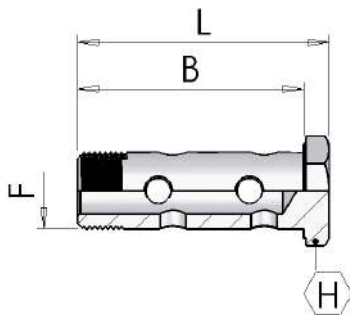
1600-00



BSP Perforated Bolt

Part number	Dimension			
	F	B	L	hex H
1600-00-02	1/8-28	19	24	14
1600-00-04	1/4-19	29	34	19
1600-00-06	3/8-19	33	41	22
1600-00-08	1/2-14	38	46	27
1600-00-10	5/8-14	44	54	30
1600-00-12	3/4-14	47	56	32
1600-00-16	1-11	58	69	41

1600

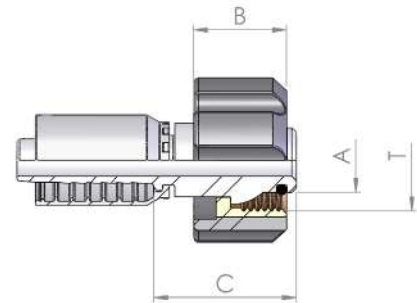


BSP Double Perforated Bolt

Part number	Dimension			
	F	B	L	hex H
1600-04-04	1/4-19	43	49	19
1600-06-06	3/8-19	49	57	22
1600-08-08	1/2-14	62	70	27
1600-12-12	3/4-14	78	87	32
1600-16-16	1-11	98	109	41

FK50G

Karcher Female

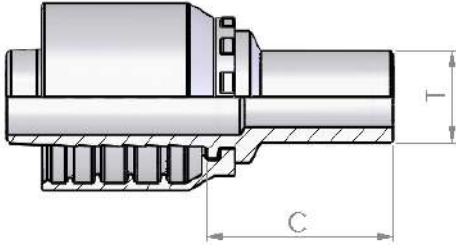


Part number	Hose I.D.		Dimension				
	in	mm	dash size	thread	cut-off		
				T	C	A	B
FK50G04-22	1/4	6.4	04	M22x1.5	31	14	20
FK50G05-22	5/16	7.9	05	M22x1.5	31	14	20
FK50G06-22	3/8	9.5	06	M22x1.5	31	14	20
FK50G04022	1/4	6.4	04	M22x1.5	31	14	27
FK50G05022	5/16	7.9	05	M22x1.5	31	14	27
FK50G06022	3/8	9.5	06	M22x1.5	31	14	27



0550G

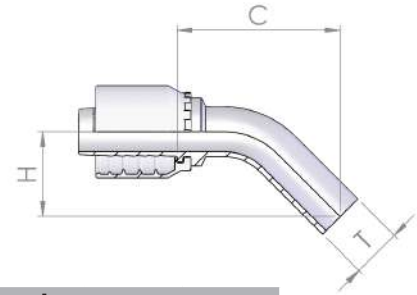
Metric Standpipe



Part number	Hose I.D.		Dimension			
	in	mm	dash size	pipe	Type	cut-off
				T		C
0550G03-04	3/16	4.8	03	4	L/S	30
0550G03-06	3/16	4.8	03	6	L/S	30
0550G03-08	3/16	4.8	03	8	L/S	29
0550G04-06	1/4	6.4	04	6	L/S	32
0550G04-08	1/4	6.4	04	8	L/S	30
0550G04-10	1/4	6.4	04	10	L/S	33
0550G04-12	1/4	6.4	04	12	L/S	30
0550G05-08	5/16	7.9	05	08	L/S	31
0550G05-10	5/16	7.9	05	10	L/S	31
0550G05-12	5/16	7.9	05	12	L/S	33
0550G06-08	3/8	9.5	06	08	L/S	33
0550G06-10	3/8	9.5	06	10	L/S	33
0550G06-12	3/8	9.5	06	12	L/S	32
0550G06-14	3/8	9.5	06	14	S	37
0550G06-15	3/8	9.5	06	15	L	32
0550G08-12	1/2	12.7	08	12	L/S	36
0550G08-14	1/2	12.7	08	14	S	39
0550G08-15	1/2	12.7	08	15	L	34
0550G08-16	1/2	12.7	08	16	S	39
0550G08-18	1/2	12.7	08	18	L	35
0550G08-20	1/2	12.7	08	20	S	45
0550G10-18	5/8	15.9	10	18	L	35
0550G10-20	5/8	15.9	10	20	S	45
0550G10-22	5/8	15.9	10	22	L	33
0550G12-18	3/4	19.0	12	18	L	37
0550G12-20	3/4	19.0	12	20	S	46
0550G12-22	3/4	19.0	12	22	L	38
0550G12-25	3/4	19.0	12	25	S	49
0550G12-28	3/4	19.0	12	28	L	40
0550G16-25	1	25.4	16	25	S	51
0550G16-28	1	25.4	16	28	L	41
0550G16-30	1	25.4	16	30	S	54
0550G16-38	1	25.4	16	38	S	60
0550G20-30	1 1/4	31.8	20	30	S	58
0550G20-35	1 1/4	31.8	20	35	L	48
0550G20-38	1 1/4	31.8	20	38	S	62
0550G24-38	1 1/2	38.1	24	38	S	63
0550G24-42	1 1/2	38.1	24	42	L	50

45° Metric Standpipe

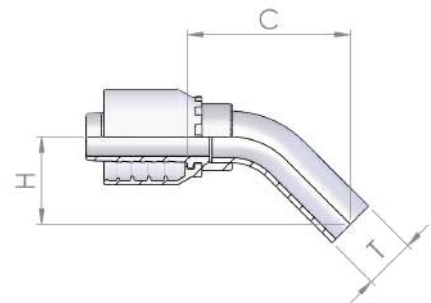
0750G



Part number	Hose I.D.		Dimension				
	in	mm	dash size	pipe	Type	cut-off	Drop
				T		C	H
0750G03-06	3/16	4.8	03	6	L/S	41	24
0750G04-06	1/4	6.4	04	6	L/S	41	24
0750G04-08	1/4	6.4	04	8	L/S	43	25
0750G04-10	1/4	6.4	04	10	L/S	47	30
0750G05-10	5/16	7.9	05	10	L/S	49	30
0750G05-12	5/16	7.9	05	12	L/S	53	32
0750G06-12	3/8	9.5	06	12	L/S	52	33

45° Metric Standpipe (Welded)

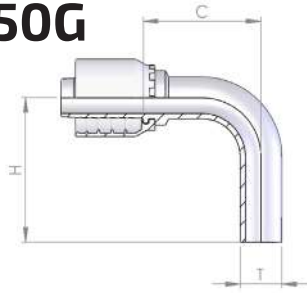
0750G



Part number	Hose I.D.		Dimension				
	in	mm	dash size	pipe	Type	cut-off	Drop
				T		C	H
0750G04-12	1/4	6.4	04	12	L/S	54	29
0750G06-14	3/8	9.5	06	14	S	50	27
0750G06-15	3/8	9.5	06	15	L	54	29
0750G08-14	1/2	12.7	08	14	S	50	27
0750G08-15	1/2	12.7	08	15	L	55	29
0750G08-16	1/2	12.7	08	16	S	54	27
0750G08-18	1/2	12.7	08	18	L	56	29
0750G10-18	5/8	15.9	10	18	L	56	29
0750G10-20	5/8	15.9	10	20	S	56	34
0750G10-22	5/8	15.9	10	22	L	66	35
0750G12-20	3/4	19.0	12	20	S	63	34
0750G12-22	3/4	19.0	12	22	L	65	35
0750G12-25	3/4	19.0	12	25	S	76	41
0750G16-25	1	25.4	16	25	S	76	41
0750G16-28	1	25.4	16	28	L	84	49
0750G16-30	1	25.4	16	30	S	86	44
0750G20-30	1 1/4	31.8	20	30	S	88	44
0750G20-35	1 1/4	31.8	20	35	L	94	47
0750G20-38	1 1/4	31.8	20	38	S	101	50
0750G24-38	1 1/2	38.1	24	38	S	100	50
0750G24-42	1 1/2	38.1	24	42	L	114	55



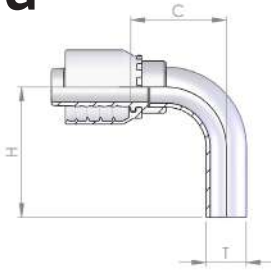
0650G



90° Metric Standpipe

Part number	Hose I.D.		Dimension				
	in	mm	dash size	pipe	Type	cut-off	Drop
				T		C	H
0650G03-06	3/16	4.8	03	6	L/S	20	32
0650G04-06	1/4	6.4	04	6	L/S	23	32
0650G04-08	1/4	6.4	04	8	L/S	25	34
0650G04-10	1/4	6.4	04	10	L/S	25	43
0650G05-10	5/16	7.9	05	10	L/S	29	40
0650G05-12	5/16	7.9	05	12	L/S	29	45
0650G06-10	3/8	9.5	06	10	L/S	27	40
0650G06-12	3/8	9.5	06	12	L/S	30	44

0650G

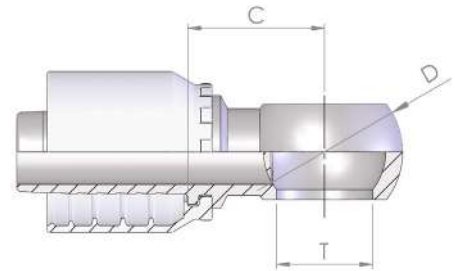


90° Metric Standpipe (Welded)

Part number	Hose I.D.		Dimension				
	in	mm	dash size	pipe	Type	cut-off	Drop
				T		C	H
0650G06-15	3/8	9.5	06	15	L	39	52
0650G03-08	3/16	4.8	03	8	L/S	25	41
0650G04-12	1/4	6.4	04	12	L/S	35	44
0650G05-08	5/16	7.9	05	8	L/S	27	41
0650G06-14	3/8	9.5	06	14	S	36	46
0650G08-12	1/2	12.7	08	12	L/S	33	44
0650G08-14	1/2	12.7	08	14	S	36	46
0650G08-15	1/2	12.7	08	15	L	39	52
0650G08-16	1/2	12.7	08	16	S	42	56
0650G08-18	1/2	12.7	08	18	L	42	56
0650G10-18	5/8	15.9	10	18	L	42	56
0650G10-20	5/8	15.9	10	20	S	48	65
0650G10-22	5/8	15.9	10	22	L	51	71
0650G12-20	3/4	19.0	12	20	S	48	65
0650G12-22	3/4	19.0	12	22	L	51	71
0650G12-25	3/4	19.0	12	25	S	57	75
0650G16-25	1	25.4	16	25	S	57	75
0650G16-28	1	25.4	16	28	L	60	89
0650G16-30	1	25.4	16	30	S	65	89
0650G20-30	1 1/4	31.8	20	30	S	66	89
0650G20-35	1 1/4	31.8	20	35	L	76	98
0650G20-38	1 1/4	31.8	20	38	S	83	102
0650G24-38	1 1/2	38.1	24	38	S	82	102
0650G24-42	1 1/2	38.1	24	42	L	106	125

1350G

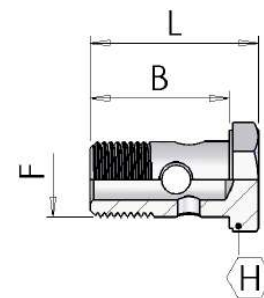
Metric Banjo



Part number	Hose I.D.		Dimension				
	in	mm	dash size	hole T	flange mm	D Øball	cut-off C
1350G03-10	3/16	4.8	03	M10x1.0	10.2	17	25
1350G03-12	3/16	4.8	03	M12x1.5	12.2	20	21
1350G04-10	1/4	6.4	04	M10x1.0	10.2	17	25
1350G04-12	1/4	6.4	04	M12x1.5	12.2	20	22
1350G04-14	1/4	6.4	04	M14x1.5	14.2	24	25
1350G05-14	5/16	7.9	05	M14x1.5	14.2	24	25
1350G05-16	5/16	7.9	05	M16x1.5	16.2	28	31
1350G05-18	5/16	7.9	05	M18x1.5	18.2	32	29
1350G06-14	3/8	9.5	06	M14x1.5	14.2	24	25
1350G06-16	3/8	9.5	06	M16x1.5	16.2	28	31
1350G06-18	3/8	9.5	06	M18x1.5	18.2	32	29
1350G06-22	3/8	9.5	06	M22x1.5	22.2	36	31
1350G08-16	1/2	12.7	08	M16x1.5	16.2	28	30
1350G08-18	1/2	12.7	08	M18x1.5	18.2	32	29
1350G08-22	1/2	12.7	08	M22x1.5	22.2	36	31
1350G10-22	5/8	15.9	10	M22x1.5	22.2	36	31
1350G10-26	5/8	15.9	10	M26x1.5	26.2	45	38
1350G12-22	3/4	19.0	12	M22x1.5	22.2	36	32

1650

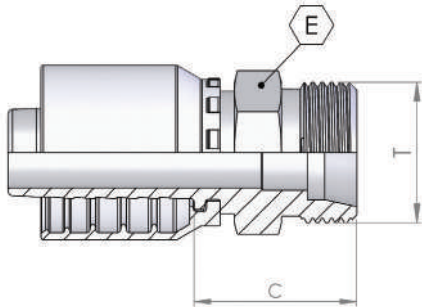
Metric Perforated Bolt



Part number	Dimension			
	F	B	L	hex H
1650-00-10	M10x1.0	19	24	14
1650-00-12	M12x1.5	26	31	17
1650-00-14	M14x1.5	29	34	19
1650-00-16	M16x1.5	33	41	22
1650-00-18	M18x1.5	37	44	24
1650-00-20	M20x1.5	38	46	27
1650-00-22	M22x1.5	38	46	27
1650-00-26	M26x1.5	47	56	32
1650-00-30	M30x1.5	58	68	36



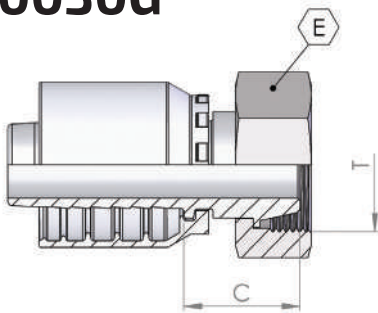
0430G



French Metric GAZ Male 24° Cone

Part number	Hose I.D.		Dimension				
	in	mm	dash size	thread	tube	hex	cut-off
				T		E	C
0430G08-24	1/2	12.7	08	M24x1.5	17	27	28
0430G10-30	5/8	15.9	10	M30x1.5	21.5	32	31
0430G12-36	3/4	19.0	12	M36x1.5	27	36	40
0430G16-45	1	25.4	16	M45x1.5	34	46	38

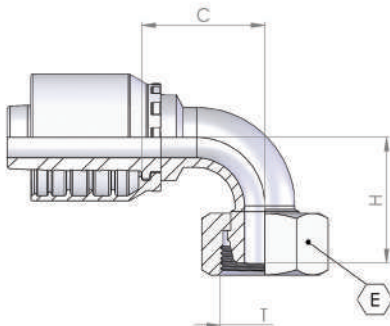
0030G



French Metric GAZ Female 24° Cone

Part number	Hose I.D.		Dimension			
	in	mm	dash size	thread	hex	cut-off
				T	E	C
0030G06-20	3/8	9.5	06	M20x1.5	24	26
0030G10-30	5/8	15.9	10	M30x1.5	36	25
0030G16-45	1	25.4	16	M45x1.5	55	40

0130G

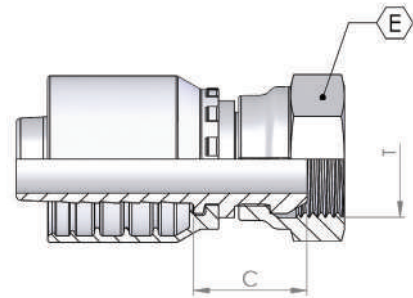


French Metric GAZ 90° Swept Elbow 24° Cone

Part number	Hose I.D.		Dimension				
	in	mm	dash size	thread	hex	drop	cut-off
				T	E	H	C
0130G10-30	5/8	15.9	10	M30x1.5	36	49	48

Metric Female 60° Cone

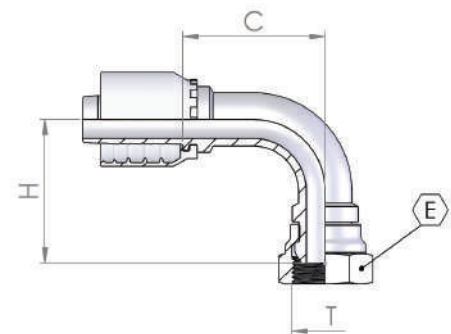
0100G



Part number	Hose I.D.		Dimension			
	in	mm	dash size	thread	hex	cut-off
				T	E	C
0100G12-30	3/4	19.0	12	M30x1.5	36	23
0100G20-45	1 1/4	31.8	20	M45x1.5	50	34

90° Metric Swept Elbow 60° Cone

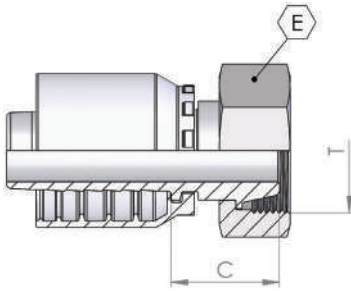
0200G



Part number	Hose I.D.		Dimension				
	in	mm	dash size	thread	hex	drop	cut-off
				T	E	H	C
0200G12-30	3/4	19.0	12	M30x1.5	36	57	48
0200G16-38	1	25.4	16	M38x1.5	46	71	70
Welded 0200G20-45	1 1/4	31.8	20	M45x1.5	50	71	63



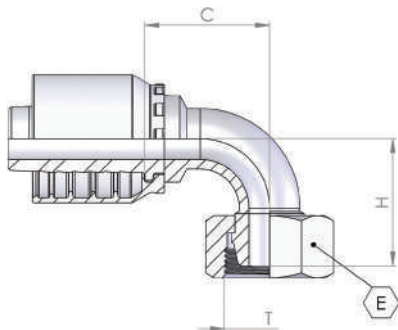
0035G



Metric Female Light Multiseal 24° Cone

Part number	Hose I.D.		Dimension				
	in	mm	dash size	thread	tube	hex	cut-off
				T		E	C
0035G03-12	3/16	4.8	03	M12x1.5	6	14	19
0035G04-14	1/4	6.4	04	M14x1.5	8	17	19
0035G04-16	1/4	6.4	04	M16x1.5	10	19	19
0035G06-18	3/8	9.5	06	M18x1.5	12	22	23
0035G08-22	1/2	12.7	08	M22x1.5	15	27	22
0035G10-26	5/8	15.9	10	M26x1.5	18	32	24

0135G

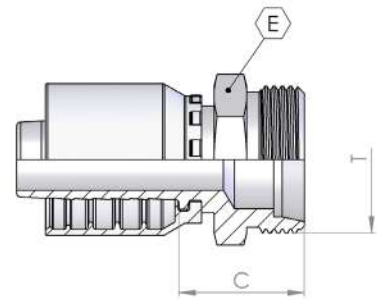


90° Metric Multiseal Swept Elbow 24° Cone

Part number	Hose I.D.		Dimension					
	in	mm	dash size	thread	tube	hex	drop	cut-off
				T		E	H	C
0135G04-14	1/4	6.4	04	M14x1.5	8	17	25	25
0135G04-16	1/4	6.4	04	M16x1.5	10	19	24	26
0135G06-16	3/8	9.5	06	M16x1.5	10	19	33	35
0135G06-18	3/8	9.5	06	M18x1.5	12	22	33	32
0135G08-22	1/2	12.7	08	M22x1.5	15	27	38	41
0135G10-26	5/8	15.9	10	M26x1.5	18	32	42	46

0500G

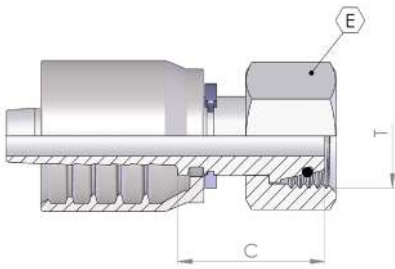
Metric Male 24° Seat Light



Part number	Hose I.D.		Dimension				
	in	mm	dash size	thread	tube	hex	cut-off
				T		E	C
0500G03-12	3/16	4.8	03	M12x1.5	6	14	22
0500G04-12	1/4	6.4	04	M12x1.5	6	14	23
0500G04-14	1/4	6.4	04	M14x1.5	8	14	22
0500G04-16	1/4	6.4	04	M16x1.5	10	17	23
0500G04-18	1/4	6.4	04	M18x1.5	12	19	24
0500G05-14	5/16	7.9	05	M14x1.5	8	14	22
0500G05-16	5/16	7.9	05	M16x1.5	10	17	23
0500G05-18	5/16	7.9	05	M18x1.5	12	19	24
0500G05-22	5/16	7.9	05	M22x1.5	15	22	25
0500G06-16	3/8	9.5	06	M16x1.5	10	17	23
0500G06-18	3/8	9.5	06	M18x1.5	12	19	24
0500G06-22	3/8	9.5	06	M22x1.5	15	22	25
0500G08-18	1/2	12.7	08	M18x1.5	12	19	25
0500G08-22	1/2	12.7	08	M22x1.5	15	22	26
0500G08-26	1/2	12.7	08	M26x1.5	18	27	27
0500G10-22	5/8	15.9	10	M22x1.5	15	22	26
0500G10-26	5/8	15.9	10	M26x1.5	18	27	27
0500G10-30	5/8	15.9	10	M30x2.0	22	30	32
0500G12-26	3/4	19.0	12	M26x1.5	18	27	28
0500G12-30	3/4	19.0	12	M30x2.0	22	30	33
0500G12-36	3/4	19.0	12	M36x2.0	28	36	31
0500G16-36	1	25.4	16	M36x2.0	28	36	32
0500G20-45	1 1/4	31.8	20	M45x2.0	35	46	36
0500G24-52	1 1/2	38.1	24	M52x2.0	42	55	38



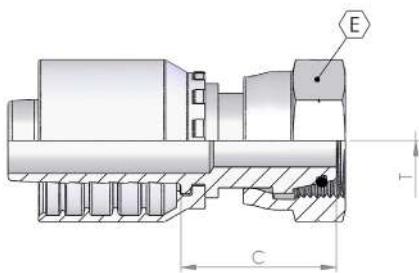
0085G



Metric Female 24° Seat Light

Part number	Hose I.D.		Dimension				
	in	mm	dash size	thread	tube	hex	cut-off
				T		E	C
0085G03-12	3/16	4.8	03	M12x1.5	6	14	23
0085G04-14	1/4	6.4	04	M14x1.5	8	17	24
0085G04-16	1/4	6.4	04	M16x1.5	10	19	24
0085G04-18	1/4	6.4	04	M18x1.5	12	22	25
0085G05-16	5/16	7.9	05	M16x1.5	10	19	24
0085G05-18	5/16	7.9	05	M18x1.5	12	22	25
0085G06-18	3/8	9.5	06	M18x1.5	12	22	25
0085G06-22	3/8	9.5	06	M22x1.5	15	27	29
0085G08-22	1/2	12.7	08	M22x1.5	15	27	29
0085G08-26	1/2	12.7	08	M26x1.5	18	32	29
0085G10-26	5/8	15.9	10	M26x1.5	18	32	29
0085G10-30	5/8	15.9	12	M30x2.0	22	36	29
0085G12-30	3/4	19.0	12	M30x2.0	22	36	29
0085G12-36	3/4	19.0	12	M36x2.0	28	41	28
0085G16-36	1	25.4	16	M36x2.0	28	41	30
0085G20-45	1 1/4	31.8	20	M45x2.0	35	50	40
0085G20-52	1 1/4	31.8	20	M52x2.0	42	60	77.5
0085G24-52	1 1/2	38.1	24	M52x2.0	42	60	41

0085G

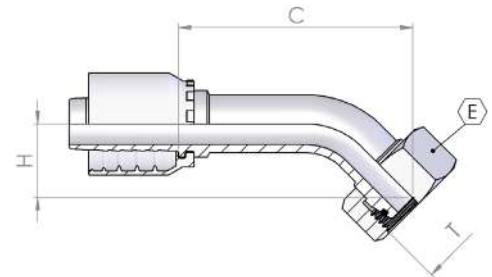


Metric Female 24° Seat Light (Rolled Nut)

Part number	Hose I.D.		Dimension				
	in	mm	dash size	thread	tube	hex	cut-off
				T		E	C
0085G04-12	1/4	6.4	04	M12x1.5	6	14	25
0085G05-14	5/16	7.9	05	M14x1.5	8	19	26
0085G06-16	3/8	9.5	06	M16x1.5	10	19	25
0085G08-18	1/2	12.7	08	M18x1.5	12	24	28
0085G10-22	5/8	15.9	10	M22x1.5	15	27	32
0085G12-26	3/4	19.0	12	M26x1.5	18	32	36

0285G

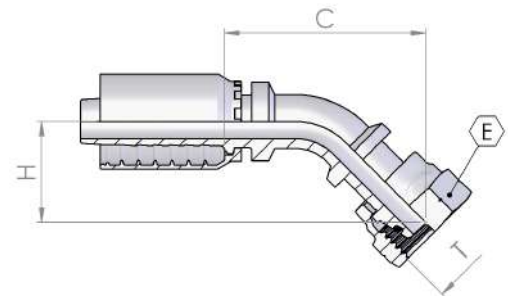
45° Metric Swept Elbow 24° Seat Light



Part number	Hose I.D.		Dimension					
	in	mm	dash size	thread	tube	hex	cut-off	drop
				T		E	C	H
0285G03-12	3/16	4.8	03	M12x1.5	6	14	36	14
0285G04-14	1/4	6.4	04	M14x1.5	8	17	42	14
0285G04-16	1/4	6.4	04	M16x1.5	10	19	42	15
0285G04-18	1/4	6.4	04	M18x1.5	12	22	43	16
0285G05-16	5/16	7.9	05	M16x1.5	10	19	48	17
0285G05-18	5/16	7.9	05	M18x1.5	12	22	48	18
0285G06-18	3/8	9.5	06	M18x1.5	12	22	52	19
0285G06-22	3/8	9.5	06	M22x1.5	15	27	51	19
0285G08-22	1/2	12.7	08	M22x1.5	15	27	63	21
0285G08-26	1/2	12.7	08	M26x1.5	18	32	44	17
0285G10-22	5/8	15.9	10	M22x1.5	15	27	70	32
0285G10-26	5/8	15.9	10	M26x1.5	18	32	68	23
0285G12-26	3/4	19.0	12	M26x1.5	18	32	43	19
0285G12-30	3/4	19.0	12	M30x2.0	22	36	85	27
0285G16-36	1	25.4	16	M36x2.0	28	41	102	32
0285G20-45	1 1/4	31.8	20	M45x2.0	35	50	72	34
0285G24-52	1 1/2	38.1	24	M52x2.0	42	60	85	36

0285G

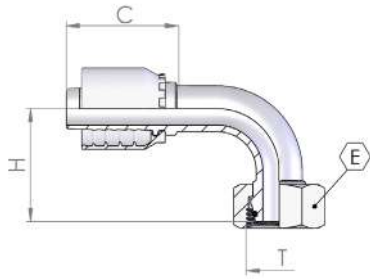
45° Metric Swept Elbow 24° Seat Light (Rolled Nut)



Part number	Hose I.D.		Dimension					
	in	mm	dash size	thread	tube	hex	cut-off	drop
				T		E	C	H
0285G04-12	1/4	6.4	04	M12x1.5	6	14	46	20
0285G06-16	3/8	9.5	06	M16x1.5	10	19	55	22



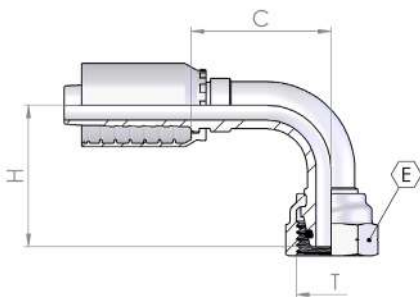
0185G



90° Metric Swept Elbow 24° Seat Light

Part number	Hose I.D.		Dimension					
	in	mm	dash size	thread	tube	hex	cut-off	drop
				T		E	C	H
0185G03-12	3/16	4.8	03	M12x1.5	6	14	22	23
0185G04-14	1/4	6.4	04	M14x1.5	8	17	26	26
0185G04-16	1/4	6.4	04	M16x1.5	10	19	25	27
0185G04-18	1/4	6.4	04	M18x1.5	12	22	27	30
0185G05-16	5/16	7.9	05	M16x1.5	10	19	31	31
0185G05-18	5/16	7.9	05	M18x1.5	12	22	31	32
0185G06-18	3/8	9.5	06	M18x1.5	12	22	32	35
0185G06-22	3/8	9.5	06	M22x1.5	15	27	32	35
0185G08-22	1/2	12.7	08	M22x1.5	15	27	41	38
0185G08-26	1/2	12.7	08	M26x1.5	18	32	41	39
0185G10-26	5/8	15.9	10	M26x1.5	18	32	44	44
0185G12-26	3/4	19.0	12	M26x1.5	18	32	42	44
0185G12-30	3/4	19.0	12	M30x2.0	22	36	58	52
0185G12-36	3/4	19.0	12	M36x2.0	28	41	49	51
0185G16-36	1	25.4	16	M36x2.0	28	41	72	62
0185G20-45	1 1/4	31.8	20	M45x2.0	35	50	63	73
0185G24-52	1 1/2	38.1	24	M52x2.0	42	60	81	83

0185G

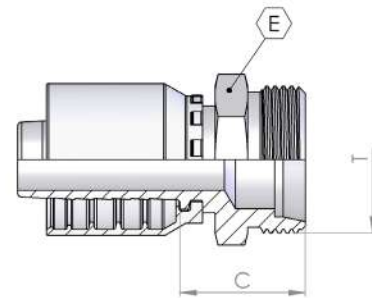


90° Metric Swept Elbow 24° Seat Light (Rolled Nut)

Part number	Hose I.D.		Dimension					
	in	mm	dash size	thread	tube	hex	cut-off	drop
				T		E	C	H
0185G04-12	1/4	6.4	04	M12x1.5	6	14	26	34
0185G05-14	5/16	7.9	05	M14x1.5	8	17	30	38
0185G06-16	3/8	9.5	06	M16x1.5	10	19	32	39
0185G08-18	1/2	12.7	08	M18x1.5	12	22	33	48
0185G10-22	5/8	15.9	08	M22x1.5	15	27	42	55

0450

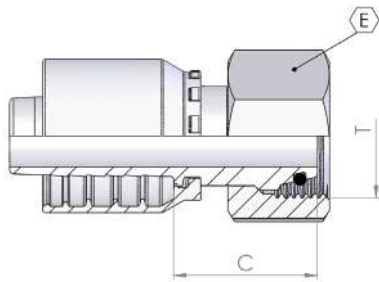
Metric Male 24° Seat Heavy



Part number	Hose I.D.		Dimension				
	in	mm	dash size	thread	tube	hex	cut-off
				T		E	C
0450G03-16	3/16	4.8	03	M16x1.5	8	17	26
0450G04-14	1/4	6.4	04	M14x1.5	6	14	25
0450G04-16	1/4	6.4	04	M16x1.5	8	17	27
0450G04-18	1/4	6.4	04	M18x1.5	10	19	27
0450G04-20	1/4	6.4	04	M20x1.5	12	22	29
0450G05-18	5/16	7.9	05	M18x1.5	10	19	27
0450G05-20	5/16	7.9	05	M20x1.5	12	22	29
0450G06-18	3/8	9.5	06	M18x1.5	10	19	27
0450G06-20	3/8	9.5	06	M20x1.5	12	22	29
0450G06-22	3/8	9.5	06	M22x1.5	14	22	31
0450G06-24	3/8	9.5	06	M24x1.5	16	24	31
0450G08-24	1/2	12.7	08	M24x1.5	16	24	32
0450G10-30	5/8	15.9	10	M30x2.0	20	30	34
0450G12-30	3/4	19.0	12	M30x2.0	20	30	35
0450G12-36	3/4	19.0	12	M36x2.0	25	36	38
0450G16-36	1	25.4	16	M36x2.0	25	36	39
0450G16-42	1	25.4	16	M42x2.0	30	46	42
0450G20-42	1 1/4	31.8	20	M42x2.0	30	46	43
0450G20-52	1 1/4	31.8	20	M52x2.0	38	55	45
0450G24-52	1 1/2	38.1	24	M52x2.0	38	55	45



0084G

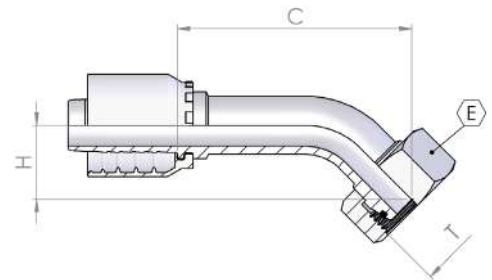


Metric Female 24° Seat Heavy

Part number	Hose I.D.		Dimension				
	in	mm	dash size	thread	tube	hex	cut-off
				T		E	C
0084G03-16	3/16	4.8	03	M16x1.5	8	19	25
0084G04-14	1/4	6.4	04	M14x1.5	6	17	23
0084G04-16	1/4	6.4	04	M16x1.5	8	19	25
0084G04-18	1/4	6.4	04	M18x1.5	10	22	24
0084G04-20	1/4	6.4	04	M20x1.5	12	24	25
0084G05-18	5/16	7.9	05	M18x1.5	10	22	24
0084G05-20	5/16	7.9	05	M20x1.5	12	24	26
0084G06-16	3/8	9.5	06	M16x1.5	8	19	26
0084G06-18	3/8	9.5	06	M18x1.5	10	22	25
0084G06-20	3/8	9.5	06	M20x1.5	12	24	25
0084G06-22	3/8	9.5	06	M22x1.5	14	27	29
0084G06-24	3/8	9.5	06	M24x1.5	16	30	29
0084G08-20	1/2	12.7	08	M20x1.5	12	27	28
0084G08-22	1/2	12.7	08	M22x1.5	14	27	17
0084G08-24	1/2	12.7	08	M24x1.5	16	30	30
0084G08-30	1/2	12.7	08	M30x2.0	20	36	33
0084G10-24	5/8	15.9	10	M24x1.5	16	30	31
0084G10-30	5/8	15.9	10	M30x2.0	20	36	33
0084G12-24	1/2	12.7	08	M24x1.5	16	30	30
0084G12-30	3/4	19.0	12	M30x2.0	20	36	34
0084G12-36	3/4	19.0	12	M36x2.0	25	46	40
0084G16-36	1	25.4	16	M36x2.0	25	46	41
0084G16-42	1	25.4	16	M42x2.0	30	50	43
0084G20-52	1 1/4	31.8	20	M52x2.0	38	60	44
0084G24-52	1 1/2	38.1	24	M52x2.0	38	60	44

0284G

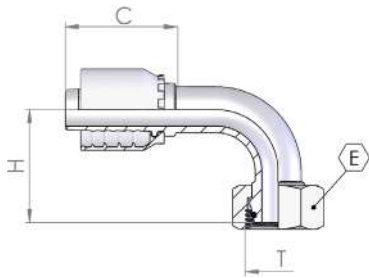
45° Metric Swept Elbow 24° Seat Heavy



Part number	Hose I.D.		Dimension					
	in	mm	dash size	thread	tube	hex	cut-off	drop
				T		E	C	H
0284G03-16	3/16	4.8	03	M16x1.5	8	19	36	16
0284G04-14	1/4	6.4	04	M14x1.5	6	17	37	15
0284G04-16	1/4	6.4	04	M16x1.5	8	19	42	15
0284G04-18	1/4	6.4	04	M18x1.5	10	22	45	18
0284G05-20	5/16	7.9	05	M20x1.5	12	24	49	19
0284G06-18	3/8	9.5	06	M18x1.5	10	22	51	19
0284G06-20	3/8	9.5	06	M20x1.5	12	24	53	18
0284G06-22	3/8	9.5	06	M22x1.5	14	27	54	20
0284G08-24	1/2	12.7	08	M24x1.5	16	30	63	21
0284G10-30	5/8	15.9	10	M30x2.0	20	36	74	29
0284G12-30	3/4	19.0	12	M30x2.0	20	36	87	30
0284G12-36	3/4	19.0	12	M36x2.0	25	46	56	31
0284G16-36	1	25.4	16	M36x2.0	25	46	105	34
0284G16-42	1	25.4	16	M42x2.0	30	50	82	33
0284G20-52	1 1/4	31.8	20	M52x2.0	38	60	105	39
0284G24-52	1 1/2	38.1	24	M52x2.0	38	60	157	52



0184G

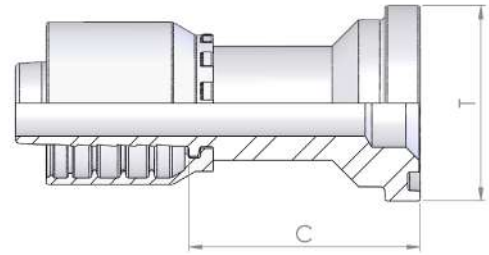


90° Metric Swept Elbow 24° Seat Heavy

Part number	Hose I.D.		Dimension					
	in	mm	dash size	thread	tube	hex	cut-off	drop
				T		E	C	H
0184G03-16	3/16	4.8	03	M16x1.5	8	19	22	25
0184G04-14	1/4	6.4	04	M14x1.5	6	17	27	26
0184G04-16	1/4	6.4	04	M16x1.5	8	19	26	26
0184G04-18	1/4	6.4	04	M18x1.5	10	22	27	31
0184G04-20	1/4	6.4	04	M20x1.5	12	24	27	30
0184G05-18	5/16	7.9	05	M18x1.5	10	22	33	33
0184G05-20	5/16	7.9	05	M20x1.5	12	24	30	34
0184G06-18	3/8	9.5	06	M18x1.5	10	22	34	35
0184G06-20	3/8	9.5	06	M20x1.5	12	24	34	34
0184G06-22	3/8	9.5	06	M22x1.5	14	27	33	33
0184G06-24	3/8	9.5	06	M24x1.5	16	30	33	35
0184G08-22	1/2	12.7	08	M22x1.5	14	27	40	41
0184G08-24	1/2	12.7	08	M24x1.5	16	30	40	41
0184G08-20	1/2	12.7	08	M30x2.0	20	36	41	47
0184G10-24	5/8	15.9	10	M24x1.5	16	30	42	60
0184G10-30	5/8	15.9	10	M30x2.0	20	36	46	50
0184G12-30	3/4	19.0	12	M30x2.0	20	36	58	56
0184G12-36	3/4	19.0	12	M36x2.0	25	46	56	59
0184G16-36	1	25.4	16	M36x2.0	25	46	69	67
0184G16-42	1	25.4	16	M42x2.0	30	50	69	67
0184G20-52	1 1/4	31.8	20	M52x2.0	38	60	84	82
0184G24-52	1 1/2	38.1	24	M52x2.0	38	60	99	94

1260G

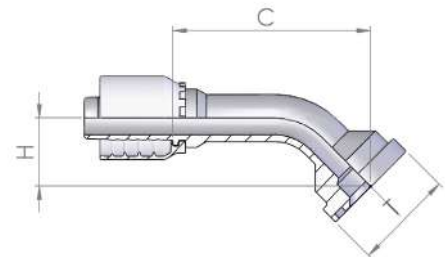
Straight SAE Code 61 Flange



Part number	Hose I.D.		dash size	Dimension		cut-off
	in	mm		T	mm	
1260G08-08	1/2	12.7	08	1/2	30.2	45
1260G08-12	1/2	12.7	08	3/4	38.1	50
1260G10-08	5/8	15.9	10	1/2	30.2	45
1260G10-12	5/8	15.9	10	3/4	38.1	49
1260G12-12	3/4	19.0	12	3/4	38.1	50
1260G12-16	3/4	19.0	12	1	44.5	53
1260G16-12	1	25.4	16	3/4	38.1	51
1260G16-16	1	25.4	16	1	44.5	54
1260G16-20	1	25.4	16	1 1/4	50.8	57
1260G20-20	1 1/4	31.8	20	1 1/4	50.8	59
1260G20-24	1 1/4	31.8	20	1 1/2	60.3	62
1260G24-24	1 1/2	38.1	24	1 1/2	60.3	62
1260G24-32	1 1/2	38.1	24	2	71.4	67
1260G32-32	2	50.8	32	2	71.4	68
1260G32-40	2	50.8	32	2 1/2	84.1	76

1160G

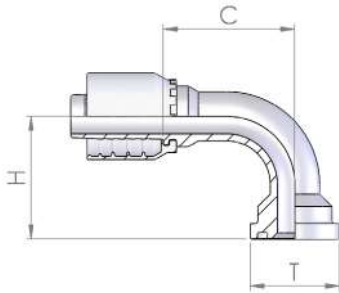
45° SAE Code 61 Flange



Part number	Hose I.D.		dash size	Dimension		cut-off	drop
	in	mm		T	mm		
1160G08-08	1/2	12.7	08	1/2	30.2	62	22
1160G08-12	1/2	12.7	08	3/4	38.1	67	25
1160G12-12	3/4	19.0	12	3/4	38.1	69	27
1160G12-16	3/4	19.0	12	1	44.5	88	30
1160G16-16	1	25.4	16	1	44.5	82	33
1160G16-20	1	25.4	16	1 1/4	50.8	108	37
1160G20-16	1 1/4	31.8	20	1	44.5	123	37
1160G20-20	1 1/4	31.8	20	1 1/4	50.8	102	38
1160G20-24	1 1/4	31.8	20	1 1/2	60.3	129	39
1160G24-24	1 1/2	38.1	24	1 1/2	60.3	114	44
1160G24-32	1 1/2	38.1	24	2	71.4	148	47
1160G32-32	2	50.8	32	2	71.4	130	58



1060G

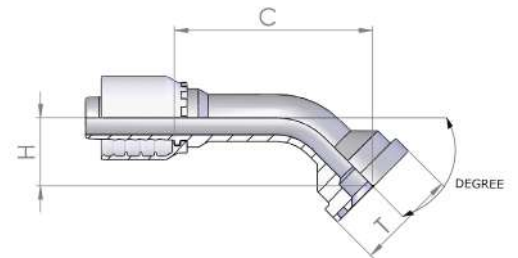


90° SAE Code 61 Flange

Part number	Hose I.D.		dash size	Dimension			
	in	mm		flange		cut-off	drop
				T	mm	C	H
1060G08-08	1/2	12.7	08	1/2	30.2	39	39
1060G08-12	1/2	12.7	08	3/4	38.1	39	44
1060G10-08	5/8	15.9	10	1/2	30.2	45	42
1060G10-12	5/8	15.9	10	3/4	38.1	45	47
1060G12-12	3/4	19.0	12	3/4	38.1	56	53
1060G12-16	3/4	19.0	12	1	44.5	56	58
1060G16-16	1	25.4	16	1	44.5	70	65
1060G16-20	1	25.4	16	1 1/4	50.8	70	70
1060G16-24	1	25.4	16	1 1/2	60.3	72	71
1060G20-16	1 1/4	31.8	20	1	44.5	81	77
1060G20-20	1 1/4	31.8	20	1 1/4	50.8	86	77
1060G20-24	1 1/4	31.8	20	1 1/2	60.3	85	81
1060G24-20	1 1/2	38.1	24	1 1/4	50.8	108	37
1060G24-24	1 1/2	38.1	24	1 1/2	60.3	98	89
1060G24-32	1 1/2	38.1	24	2	71.4	93	97
1060G32-32	2	50.8	32	2	71.4	123	121
1060G32-40	2	50.8	32	2 1/2	84.1	132	114

1060G

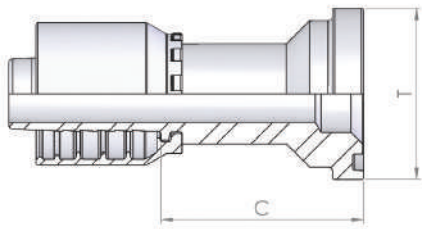
22.5°/30°/60°/67.5°/110°/135° SAE Code 61 Flange



Part number	Hose I.D.		Dimension					Degree
	in	mm	dash size	flange		cut-off	drop	
				T	mm			
1060G08-08 22.5	1/2	12.7	08	1/2	30.2	66	9	22.5°
1060G12-12 22.5	3/4	19.0	12	3/4	38.1	76	11	22.5°
1060G12-16 22.5	3/4	19.0	12	1	44.5	88	13	22.5°
1060G16-16 22.5	1	25.4	16	1	44.5	89	14	22.5°
1050G16-20 22.5	1	25.4	16	1 1/4	50.8	116	17	22.5°
1060G20-20 22.5	1 1/4	31.8	20	1 1/4	50.8	111	14	22.5°
1060G20-24 22.5	1 1/4	31.8	20	1 1/2	60.3	137	17	22.5°
1060G24-24 22.5	1 1/2	38.1	24	1 1/2	60.3	124	17	22.5°
1060G32-32 22.5	2	50.8	32	2	71.4	144	28	22.5°
1060G12-12 30	3/4	19.0	12	3/4	38.1	75	16	30°
1060G12-16 30	3/4	19.0	12	1	44.5	88	18	30°
1060G16-16 30	1	25.4	16	1	44.5	87	19	30°
1060G16-20 30	1	25.4	16	1 1/4	50.8	99	47	60°
1060G20-20 30	1 1/4	31.8	20	1 1/4	50.8	109	26	30°
1060G20-24 20	1 1/4	31.8	20	1 1/4	60.3	136	22	30°
1060G24-24 30	1 1/2	38.1	24	1 1/2	60.3	122	23	30°
1060G24-32 30	1 1/2	38.1	24	1 1/2	71.4	155	25	30°
1060G32-32 30	2	50.8	32	2	71.4	142	35	30°
1060G12-12 60	3/4	19.0	12	3/4	38.1	76	36	60°
1060G16-16 60	1	25.4	16	1	44.5	95	43	60°
1060G16-20 60	1	25.4	16	1 1/4	50.8	99	47	60°
1060G20-20 60	1 1/4	31.8	20	1 1/4	50.8	116	49	60°
1060G20-24 60	1 1/4	31.8	20	1 1/2	60.3	119	48	60°
1060G24-24 60	1 1/2	38.1	24	1 1/2	60.3	138	55	60°
1060G24-32 60	1 1/2	38.1	24	2	71.4	134	63	60°
1060G32-32 60	2	50.8	32	2	71.4	170	80	60°
1060G12-12 67.5	3/4	19.0	12	3/4	38.1	72	41	67.5°
1060G12-16 67.5	3/4	19.0	12	1	44.5	74	45	67.5°
1060G16-16 67.5	1	25.4	16	1	44.5	91	48	67.5°
1060G16-20 67.5	1	25.4	16	1 1/4	50.9	93	51	67.5°
1060G20-20 67.5	1 1/4	31.8	20	1 1/4	50.8	110	56	67.5°
1060G24-24 67.5	1 1/2	38.1	24	1 1/2	60.3	131	63	67.5°
1060G32-32 67.5	2	50.8	32	2	71.4	158	92	67.5°
1060G32-40 67.5	2	50.8	32	2 1/2	84.0	168	85	67.5°
1060G24-24 110	1 1/2	38.1	24	1 1/2	60.3	91	104	110°
1060G32-32 110	2	50.8	32	2	71.4	100	125	110°
1060G16-16 135	1	25.4	16	1	44.5	52	80	135°



1310G

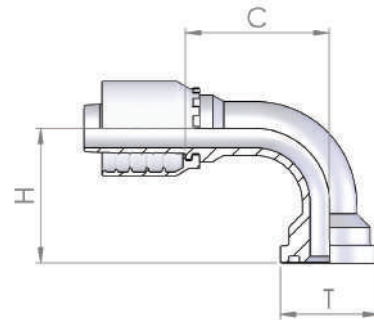


Straight SAE Flange – Code 62

Part number	Hose I.D.		Dimension			
	in	mm	dash size	flange		cut-off
				T	mm	C
1310G08-08	1/2	12.7	08	1/2	31.8	46
1310G10-08	5/8	15.9	10	1/2	31.8	46
1310G10-12	5/8	15.9	10	3/4	41.3	53
1310G10-16	5/8	15.9	10	1	47.6	59
1310G12-12	3/4	19.0	12	3/4	41.3	54
1310G12-16	3/4	19.0	12	1	47.6	60
1310G16-16	1	25.4	16	1	47.6	61
1310G16-20	1	25.4	16	1 1/4	54.0	68
1310G20-16	1 1/4	31.8	20	1	47.6	63
1310G20-20	1 1/4	31.8	20	1 1/4	54.0	70
1310G20-24	1 1/4	31.8	20	1 1/2	63.5	76
1310G24-24	1 1/2	38.1	24	1 1/2	63.5	76
1310G32-32	2	50.8	32	2	79.4	85

1110G

90° SAE Flange – Code 62

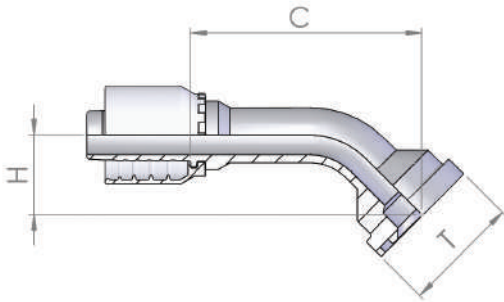


Part number	Hose I.D.		Dimension				
	in	mm	dash size	flange		cut-off	drop
				T	mm	C	H
1110G08-08	1/2	12.7	08	1/2	31.8	39	39
1110G08-12	1/2	12.7	08	3/4	41.3	39	48
1110G10-08	5/8	15.9	10	1/2	31.8	45	42
1110G10-12	5/8	15.9	10	3/4	41.3	44	52
1110G10-16	5/8	15.9	10	1	47.6	45	56
1110G12-12	3/4	19.0	12	3/4	41.3	56	55
1110G12-16	3/4	19.0	12	1	47.6	56	63
1110G16-12	1	25.4	16	3/4	41.3	68	64
1110G16-16	1	25.4	16	1	47.6	70	69
1110G16-20	1	25.4	16	1 1/4	54.0	71	74
1110G20-16	1 1/4	31.8	20	1	47.6	80	68
1110G20-20	1 1/4	31.8	20	1 1/4	54.0	97	83
1110G20-24	1 1/4	31.8	20	1 1/2	63.5	97	90
1110G24-24	1 1/2	38.1	24	1 1/2	63.5	102	99
1110G24-32	1 1/2	38.1	24	2	79.4	103	108
1110G32-32	2	50.8	32	2	79.4	125	136



1210G

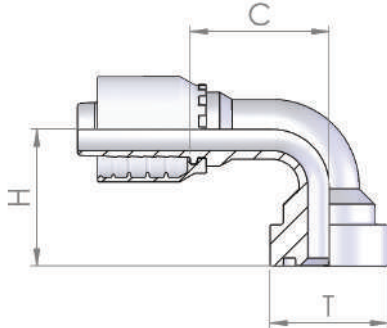
45° SAE Flange - Code 62



Part number	Hose I.D.		dash size	Dimension			
	in	mm		flange		cut-off	drop
				T	mm	C	H
1210G10-08	5/8	15.9	10	1/2	31.8	66	21
1210G16-12	1	25.4	16	3/4	41.3	101	30
1210G16-16	1	25.4	16	1	47.6	86	34
1210G20-20	1 1/4	31.8	20	1 1/4	54.0	107	43
1210G24-32	1 1/2	38.1	24	2	79.4	163	66

110SG

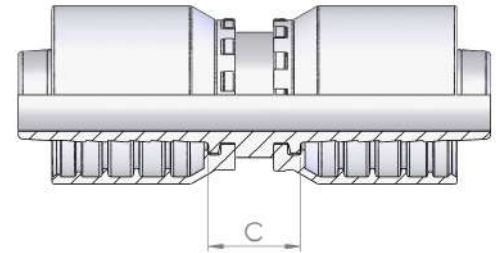
90° 'CAT' Flange



Part number	Hose I.D.		dash size	Dimension			
	in	mm		flange		cut-off	drop
				T	mm	C	H
110SG12-12	3/4	19.0	12	3/4	41.3	56	62

D050G

Hose Junction



Part number	Hose I.D.		Dimension	
	in	mm	dash size	cut-off C
D050G03	3/16	4.8	03	17
D050G04	1/4	6.4	04	17
D050G05	5/16	7.9	05	17
D050G06	3/8	9.5	06	17
D050G08	1/2	12.7	08	18
D050G10	5/8	15.9	10	18
D050G12	3/4	19.0	12	19
D050G16	1	25.4	16	21
D050G20	1 1/4	31.8	20	24
D050G24	1 1/2	38.1	24	24
D050G32	2	50.8	32	26



Muncie®
Power
Products

Spiral Hose No-Skive



0370X



NPTF Male 30° Cone

68



0850X



JIC Male 37° Cone

68

0900X



JIC Female 37° Cone

69

1000X



JIC 45° Swept Elbow
37° Cone

69

0950X



JIC 90° Swept Elbow
37° Cone

70



S350X



ORFS Male

71

S05TX



ORFS Female Double
Hexagon

72

S250X



ORFS 45° Swept
Elbow

72

S150X



ORFS 90° Swept
Elbow

73



0385X



SAE Male O-Ring Boss

73



0940X



JIS Female 60° Cone
(Komatsu)

74



K05BX



Kobelco Male

74



0360X



BSP Taper Male 60°
Cone

75

0350X



BSP Male Parallel 60°
Cone

76

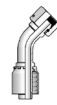
0050X



BSP Female 60° Cone
Thrust Wire

77

0250X



BSP 45° Swept Elbow
60° Cone

77

0150X



BSP 90° Swept Elbow
60° Cone

78



0500X

 Metric Male 24° Seat
Light

78

0085X

 Metric Female 24°
Seat Light

79

0085X

 Metric Female 24°
Seat Light
(Rolled Nut)

79

0285X

 45° Metric Swept
Elbow 24° Seat Light

80

0185X

 90° Metric Swept
Elbow 24° Seat Light

80

**Metric DIN
24° DKOS**
0450X

 Metric Male 24° Seat
Heavy

81

0084X

 Metric Female 24°
Seat Heavy

81

0284X

 45° Metric Swept
Elbow 24° Seat Heavy

82

0184X

 90° Metric Swept
Elbow 24° Seat Heavy

82

Code 61
1250X

 Straight SAE
Code 61 Flange

83

1150X

 45° SAE Code 61
Flange

83

1050X

 90° SAE Code 61
Flange

84

1050X

 22.5°/30°/60°/67.5°/110°
SAE Code 61 Flange

85

Code 62
1300X

 Straight SAE Code 62
Flange

86

1200X

 45° SAE Code 62
Flange

86

1100X

 90° SAE Code 62
Flange

87

1100X

 22.5°/30°/60°/67.5°/110°
SAE Code 62 Flange

87

Super CAT
130SX


Straight 'CAT' Flange

88

120SX


45° 'CAT' Flange

88

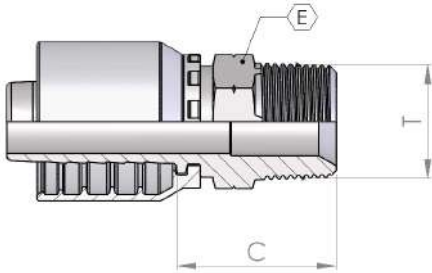
110SX


90° 'CAT' Flange

89

0370X

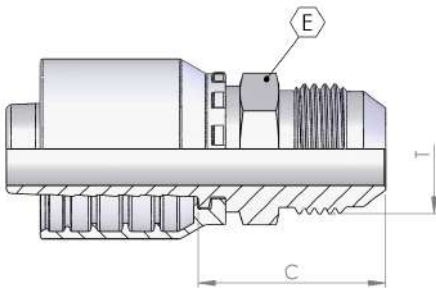
NPTF Male 30° Cone



Part number	Hose I.D.		Dimension			
	in	mm	dash size	thread	hex	cut-off
				T	E	C
0370X12-12	3/4	19.0	12	3/4-14	27	39
0370X12-16	3/4	19.0	12	1-11 1/2	27	39
0370X16-12	1	25.4	16	3/4-14	32	40
0370X16-16	1	25.4	16	1-11 1/2	36	46
0370X16-20	1	25.4	16	1 1/4-11 1/2	46	48
0370X20-16	1 1/4	31.8	20	1-11 1/2	41	45
0370X20-20	1 1/4	31.8	20	1 1/4-11 1/2	46	47
0370X24-24	1 1/2	38.1	24	1 1/2-11 1/2	50	49
0370X32-24	2	50.8	32	1 1/2-11 1/2	65	63
0370X32-32	2	50.8	32	2-11 1/2	65	64

0850X

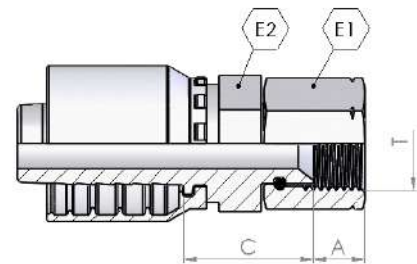
JIC Male 37° Cone



Part number	Hose I.D.		Dimension			
	in	mm	dash size	thread	hex	cut-off
				T	E	C
0850X12-10	3/4	19.0	12	7/8-14	24	38
0850X12-12	3/4	19.0	12	1 1/16-12	27	40
0850X12-14	3/4	19.0	12	1 3/16-12	32	45
0850X12-16	3/4	19.0	12	1 5/16-12	34	44
0850X12-20	3/4	19.0	12	1 5/8-12	42	47
0850X16-12	1	25.4	16	1 1/16-12	27	41
0850X16-14	1	25.4	16	1 3/16-12	32	44
0850X16-16	1	25.4	16	1 5/16-12	34	45
0850X16-20	1	25.4	16	1 5/8-12	42	48
0850X20-20	1 1/4	31.8	20	1 5/8-12	42	47
0850X20-24	1 1/4	31.8	20	1 7/8-12	50	52
0850X24-24	1 1/2	38.1	24	1 7/8-12	50	52
0850X32-32	2	50.8	32	2 1/2-12	65	72

0900X

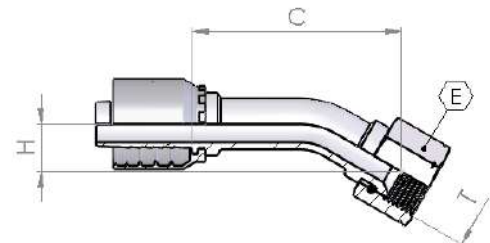
JIC Female 37° Cone



Part number	Hose I.D.		Dimension					
	in	mm	dash size	thread	hex	cut-off		
				T	E1	E2	C	A
0900X12-10	3/4	19.0	12	7/8-14	27	27	32.5	12
0900X12-12	3/4	19.0	12	1 1/16-12	32	27	32	13.5
0900X12-16	3/4	19.0	12	1 5/16-12	41	32	36	14.5
0900X16-12	1	25.4	16	1 1/16-12	32	32	34	14
0900X16-16	1	25.4	16	1 5/16-12	38	36	33	15.5
0900X16-20	1	25.4	16	1 5/8-12	50	41	44	16.5
0900X20-20	1 1/4	31.8	20	1 5/8-12	50	42	40	16.5
0900X20-24	1 1/4	31.8	20	1 7/8-12	55	42	43	19
0900X24-24	1 1/4	38.1	24	1 7/8-12	55	50	44	19
0900X32-32	2	50.8	32	2 1/2-12	70	65	58	20

1000X

JIC 45° Swept Elbow 37° Cone

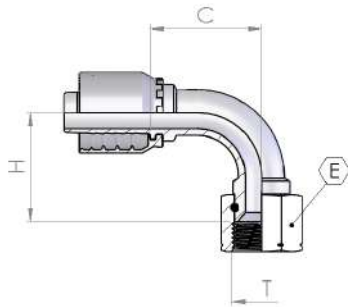


Part number	Hose I.D.		Dimension				
	in	mm	dash size	thread	hex	cut-off	Drop
				T	E	C	H
1000X12-12	3/4	19.0	12	1 1/16-12	32	85	28
1000X12-14	3/4	19.0	12	1 3/16-12	36	87	29
1000X12-16	3/4	19.0	12	1 5/16-12	41	89	30
1000X16-16	1	25.4	16	1 5/16-12	41	109	36
1000X16-20	1	25.4	16	1 5/8-12	50	72	68
1000X20-20	1 1/4	31.8	20	1 5/8-12	50	108	40
1000X20-24	1 1/4	31.8	20	1 7/8-12	55	89	39
1000X24-24	1 1/2	38.1	24	1 7/8-12	55	174	47
1000X32-32	2	50.8	32	2 1/2-12	70	155	65



0950X

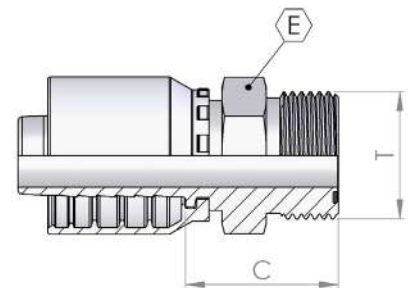
JIC 90° Swept Elbow 37° Cone



Part number	Hose I.D.		Dimension				
	in	mm	dash size	thread	hex	cut-off	Drop
				T	E	C	H
0950X12-12	3/4	19.0	12	1 1/16-12	32	58	54
0950X12-14	3/4	19.0	12	1 3/16-12	36	58	54
0950X12-16	3/4	19.0	12	1 5/16-12	41	72	68
0950X16-16	1	25.4	16	1 5/16-12	41	72	68
0950X16-20	1	25.4	16	1 5/8-12	50	72	74
0950X20-20	1 1/4	31.8	20	1 5/8-12	50	103	81
0950X20-24	1 1/4	31.8	20	1 7/8-12	55	81	88
0950X24-24	1 1/2	38.1	24	1 7/8-12	55	120	95
0950X32-32	2	50.8	32	2 1/2-12	70	139	133

S350X

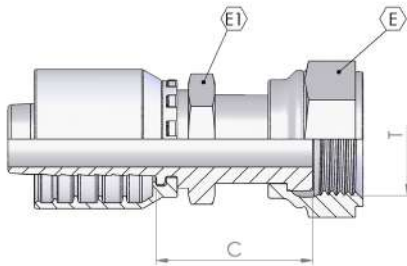
ORFS Male



Part number	Hose I.D.		Dimension			
	in	mm	dash size	thread	hex	cut-off
				T	E	C
S350X12-14	3/4	19.0	12	1 3/16-12	32	36
S350X12-15	3/4	19.0	12	1 7/16-12	38	36
S350X16-15	1	25.4	16	1 7/16-12	38	37
S350X16-21	1	25.4	16	1 11/16-12	46	38
S350X20-21	1 1/4	31.8	20	1 11/16-12	46	39
S350X24-32	1 1/2	38.1	24	2-12	55	43

With Cap and O-Ring.

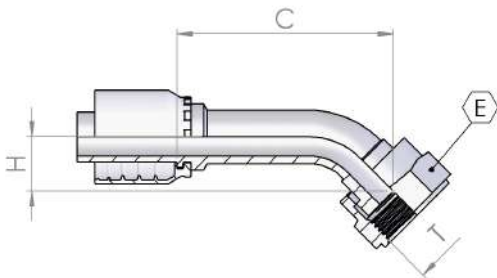
S05TX



ORFS Female Double Hexagon

Part number	Hose I.D.		Dimension				
	in	mm	dash size	thread	hex	hex	cut-off
				T	E	E1	C
S05TX12-13	3/4	19.0	12	1-14	30	30	43
S05TX12-14	3/4	19.0	12	1 3/16-12	36	30	44
S05TX12-15	3/4	19.0	12	1 7/16-12	41	30	50
S05TX16-14	1	25.4	16	1 3/16-12	36	36	45
S05TX16-15	1	25.4	16	1 7/16-12	41	36	52
S05TX16-21	2	25.4	16	1 11/16-12	50	46	53
S05TX20-21	1 1/4	31.8	20	1 11/16-12	46	50	52.5
S05TX24-32	1 1/2	38.1	24	2-12	50	60	55.5

S250X

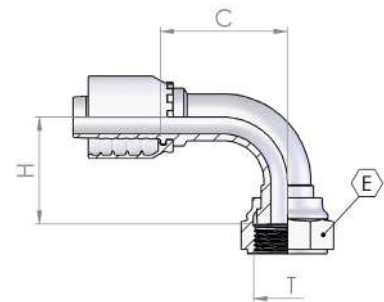


ORFS 45° Swept Elbow

Part number	Hose I.D.		Dimension				
	in	mm	dash size	thread	hex	cut-off	Drop
				T	E	C	H
S250X12-13	3/4	19.0	12	1-14	30	42	15
S250X12-14	3/4	19.0	12	1 3/16-12	36	86	23
S250X12-15	3/4	19.0	12	1 7/16-12	41	86	26
S250X16-15	1	25.4	16	1 7/16-12	41	102	31
S250X16-21	1	25.4	16	1 11/16-12	50	101	31
S250X20-21	1 1/4	31.8	20	1 11/16-12	50	137	37
S250X24-32	1 1/2	38.1	24	2 1/2-12	60	159	46

S150X

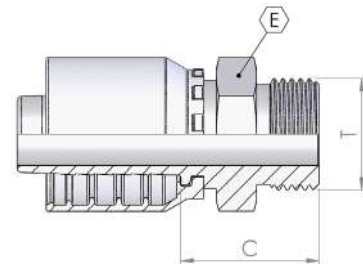
ORFS 90° Swept Elbow



Part number	Hose I.D.		Dimension				
	in	mm	dash size	thread	hex	cut-off	Drop
				T	E	C	H
S150X12-13	3/4	19.0	12	1-14	30	44	39
S150X12-14	3/4	19.0	12	1 3/16-12	36	59	49
S150X12-15	3/4	19.0	12	1 7/16-12	41	58	51
S150X16-15	1	25.4	16	1 7/16-12	41	69	62
S150X16-21	1	25.4	20	1 11/16-12	50	64	58
S150X20-21	1 1/4	31.8	20	1 11/16-12	50	99	76
S150X24-32	1 1/2	38.1	24	2-12	60	80	73

0385X

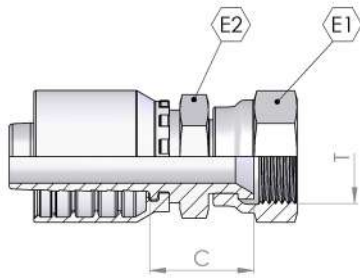
SAE Male O-Ring Flat Seat



Part number	Hose I.D.		Dimension			
	in	mm	dash size	thread	hex	cut-off
				T	E	C
0385X12-12	3/4	19.0	12	1 1/16-12	32	35
0385X12-16	3/4	19.0	12	1 5/16-12	38	38
0385X16-16	1	25.4	16	1 5/16-12	38	39

Fitting ships with O-Ring.

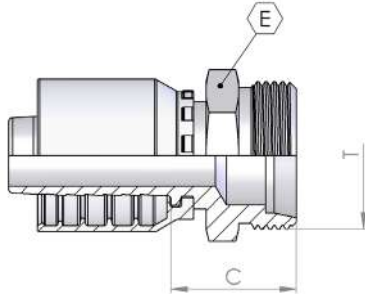
0940X



JIS Female 60° Cone (Komatsu)

Part number	Hose I.D.		Dimension				
	in	mm	dash size	thread	hex		cut-off
				T	E1	E2	C
0940X12-30	3/4	19.0	12	M30x1.5	36	30	32
0940X16-33	1	25.4	16	M33x1.5	41	36	35
0940X20-36	1 1/4	31.8	20	M36x1.5	46	46	37
0940X24-42	1 1/2	38.1	24	M42x1.5	50	50	38

K05BX

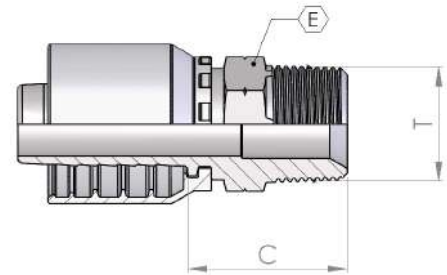


Kobelco Male

Part number	Hose I.D.		Dimension				
	in	mm	dash size	thread	hex	tube	cut-off
				T	E		C
K05BX12-30	3/4	19.0	12	M30x1.5	32	22	37
K05BX12-36	3/4	19.0	12	M36x1.5	41	28	38
K05BX16-36	1	25.4	16	M36x1.5	41	28	39
K05BX16-45	1	25.4	16	M45x1.5	50	35	40

0360X

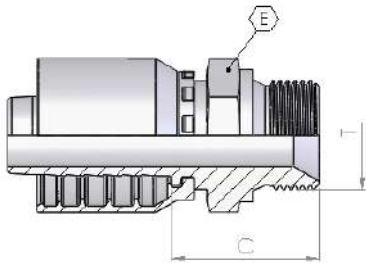
BSP Taper Male 60° Cone



Part number	Hose I.D.		Dimension			
	in	mm	dash size	thread	hex	cut-off
				T	E	C
0360X12-12	3/4	19.0	12	3/4-14	27	39
0360X12-16	3/4	19.0	12	1-11	36	45
0360X16-16	1	25.4	16	1-11	36	46
0360X16-20	1	25.4	16	1 1/4-11	46	48
0360X20-20	1 1/4	31.8	20	1 1/4-11	46	47
0360X20-24	1 1/4	31.8	20	1 1/2-11	50	49
0360X24-24	1 1/2	38.1	24	1 1/2-11	50	49
0360X24-32	1 1/2	38.1	24	2-11	65	55
0360X32-32	2	50.8	32	2-11	65	68

0350X

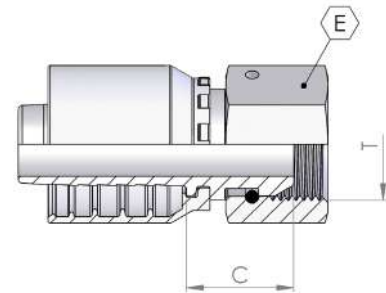
BSP Male Parallel 60° Cone



Part number	Hose I.D.		Dimension			
	in	mm	dash size	thread	hex	cut-off
				T	E	C
0350X12-12	3/4	19.0	12	3/4-14	32	38
0350X12-16	3/4	19.0	12	1-11	41	41
0350X16-16	1	25.4	16	1-11	41	42
0350X16-20	1	25.4	16	1 1/4-11	50	46
0350X20-16	1 1/4	31.8	20	1-11	41	41
0350X20-20	1 1/4	31.8	20	1 1/4-11	50	45
0350X20-24	1 1/4	31.8	20	1 1/2-11	55	46
0350X24-24	1 1/2	38.1	24	1 1/2-11	55	46
0350X24-32	1 1/2	38.1	24	2-11	70	54
0350X32-24	2	50.8	32	1 1/2-11	65	50
0350X32-32	2	50.8	32	2-11	70	54

0050X

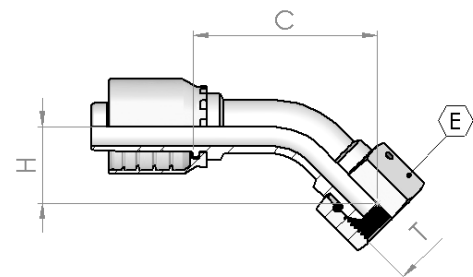
BSP Female 60° Cone - Thrust Wire Nut



Part number	Hose I.D.		Dimension			
	in	mm	dash size	thread	hex	cut-off
				T	E	C
0050X12-12	3/4	19.0	12	3/4-14	32	27
0050X12-16	3/4	19.0	12	1-11	38	28
0050X16-16	1	25.4	16	1-11	38	30
0050X16-20	1	25.4	16	1 1/4-11	50	30
0050X20-16	1 1/4	31.8	20	1-11	38	33
0050X20-20	1 1/4	31.8	20	1 1/4-11	50	32
0050X20-24	1 1/4	31.8	20	1 1/2-11	55	34
0050X24-20	1 1/2	38.1	24	1/1/4-11	50	35
0050X24-24	1 1/2	38.1	24	1 1/2-11	55	37
0050X32-32	2	50.8	32	2-11	70	58

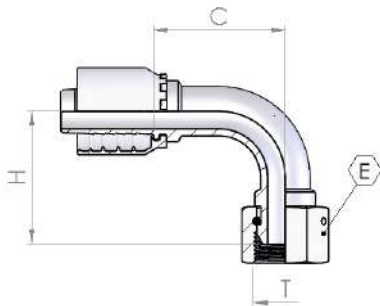
0250X

BSP 45° Swept Elbow 60° Cone



Part number	Hose I.D.		Dimension				
	in	mm	dash size	thread	hex	cut-off	Drop
				T	E	C	H
0250X12-12	3/4	19.0	12	3/4-14	32	87	29
0250X12-16	3/4	19.0	12	1-11	38	93	52
0250X16-16	1	25.4	16	1-11	38	108	35
0250X16-20	1	25.4	16	1 1/4-11	50	70	33
0250X20-20	1 1/4	31.8	20	1 1/4-11	50	107	40
0250X20-24	1 1/4	31.8	20	1 1/2-11	55	91	41
0250X24-24	1 1/2	38.1	24	1 1/2-11	55	117	47
0250X32-32	2	50.8	32	2-11	70	162	70

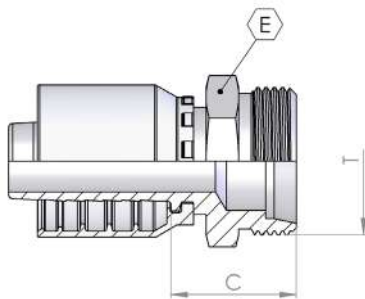
0150X



BSP 90° Swept Elbow 60° Cone

Part number	Hose I.D.		Dimension				
	in	mm	dash size	thread	hex	cut-off	Drop
				T	E	C	H
0150X12-12	3/4	19.0	12	3/4-14	32	58	56
0150X12-16	3/4	19.0	12	1-11	38	58	60
0150X16-16	1	25.4	16	1-11	38	72	68
0150X16-20	1	25.4	16	1 1/4-11	50	62	72
0150X20-20	1 1/4	31.8	20	1 1/4-11	50	86	81
0150X20-24	1 1/4	31.8	20	1 1/2-11	55	81	89
0150X24-24	1 1/2	38.1	24	1 1/2-11	55	103	95
0150X32-32	2	50.8	32	2-11	70	139	133

0500X

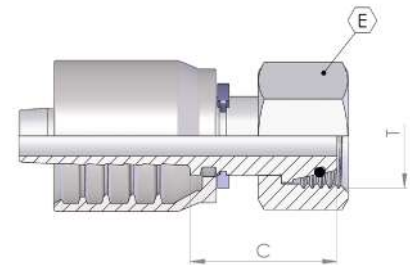


Metric Male 24° Seat Light

Part number	Hose I.D.		Dimension				
	in	mm	dash size	thread	tube	hex	cut-off
				T		E	C
0500X12-26	3/4	19.0	12	M26x1.5	18	27	30
0500X12-30	3/4	19.0	12	M30x2.0	22	30	35
0500X12-36	3/4	19.0	12	M36x2.0	28	26	32
0500X16-36	1	25.4	16	M36x2.0	28	36	34
0500X20-45	1 1/4	31.8	20	M45x2.0	35	46	36
0500X20-52	1 1/4	31.8	20	M52x2.0	42	55	41
0500X24-52	1 1/2	38.1	24	M52x2.0	42	55	38

0085X

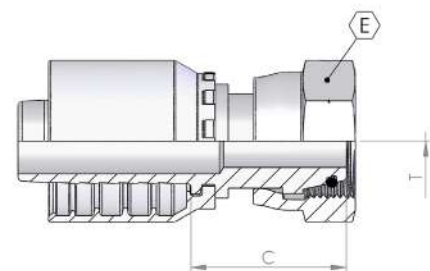
Metric Female 24° Seat Light



Part number	Hose I.D.		Dimension				
	in	mm	dash size	thread	tube	hex	cut-off
				T		E	C
0085X12-30	3/4	19.0	12	M30x2.0	22	36	31
0085X12-36	3/4	19.0	12	M36x2.0	28	41	30
0085X16-36	1	25.4	16	M36x2.0	28	41	32
0085X20-45	1 1/4	31.8	20	M45x2.0	35	50	40
0085X24-52	1 1/2	38.1	24	M52x2.0	42	60	41

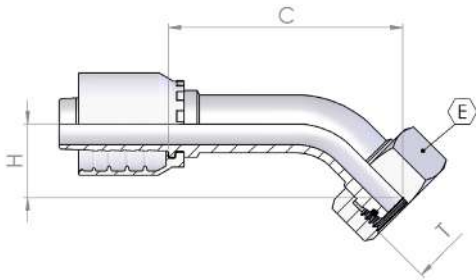
0085X

Metric Female 24° Seat Light (Rolled Nut)



Part number	Hose I.D.		Dimension				
	in	mm	dash size	thread	tube	hex	cut-off
				T		E	C
0085X12-26	3/4	19.0	12	M26x1.5	18	32	38

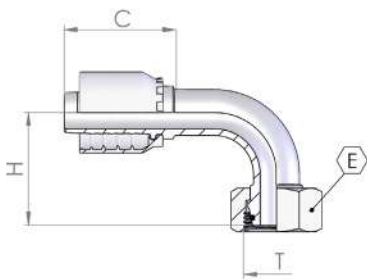
0285X



45° Metric Swept Elbow 24° Seat Light

Part number	Hose I.D.		Dimension					
	in	mm	dash size	thread	tube	hex	cut-off	Drop
				T		E	C	H
0285X12-26	3/4	19.0	12	M26x1.5	18	32	45	19
0285X12-30	3/4	19.0	12	M30x2.0	22	36	87	27
0285X16-36	1	25.4	16	M36x2.0	28	41	104	32
0285X20-45	1 1/4	31.8	20	M45x2.0	35	50	155	50
0285X24-52	1 1/2	38.1	24	M52x2.0	42	60	180	55

0185X

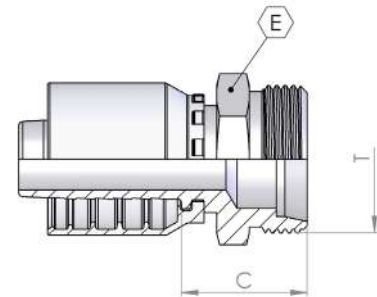


90° Metric Swept Elbow 24° Seat Light

Part number	Hose I.D.		Dimension					
	in	mm	dash size	thread	tube	hex	cut-off	Drop
				T		E	C	H
0185X12-26	3/4	19.0	12	M26x1.5	18	32	44	44
0185X12-30	3/4	19.0	12	M30x2.0	22	36	60	52
0185X12-36	3/4	19.0	12	M36x2.0	28	41	51	51
0185X16-36	1	25.4	16	M36x2.0	28	41	74	62
0185X20-45	1 1/4	31.8	20	M45x2.0	35	50	104	97
0185X24-52	1 1/2	38.1	24	M52x2.0	42	60	123	109

0450X

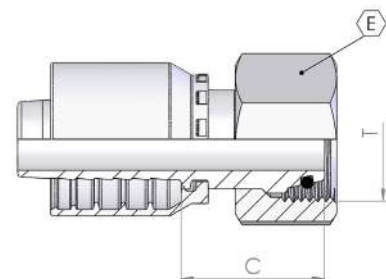
Metric Male 24° Seat Heavy



Part number	Hose I.D.		Dimension				
	in	mm	dash size	thread	tube	hex	cut-off
				T		E	C
0450X12-30	3/4	19.0	12	M30x2.0	20	36	36
0450X12-36	3/4	19.0	12	M36x2.0	25	36	40
0450X16-36	1	25.4	16	M36x2.0	25	36	41
0450X16-42	1	25.4	16	M42x2.0	30	46	44
0450X20-42	1 1/4	31.8	20	M42x2.0	30	46	43
0450X20-52	1 1/4	31.8	20	M52x2.0	38	55	45
0450X24-52	1 1/2	38.1	24	M52x2.0	38	55	45

0084X

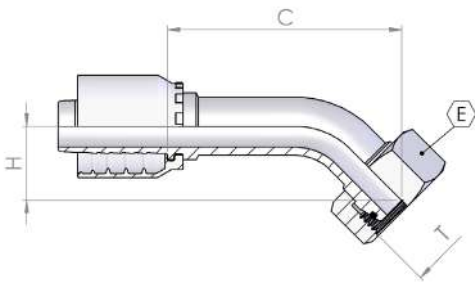
Metric Female 24° Seat Heavy



Part number	Hose I.D.		Dimension				
	in	mm	dash size	thread	tube	hex	cut-off
				T		E	C
0084X12-30	3/4	19.0	12	M30x2.0	20	36	35
0084X12-36	3/4	19.0	12	M36x2.0	25	46	41
0084X16-36	1	25.4	16	M36x2.0	25	46	43
0084X16-42	1	25.4	16	M42x2.0	30	50	45
0084X20-42	1 1/4	31.8	20	M42x2.0	30	50	47
0084X20-52	1 1/4	31.8	20	M52x2.0	38	60	44
0084X24-52	1 1/2	38.1	24	M52x2.0	38	60	44



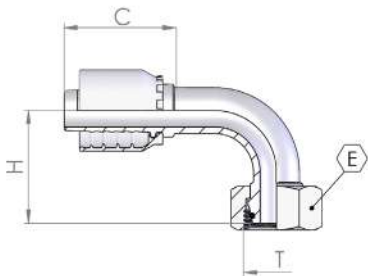
0284X



45° Metric Swept Elbow 24° Seat Heavy

Part number	Hose I.D.		Dimension					
	in	mm	dash size	thread	tube	hex	cut-off	drop
				T		E	C	H
0284X12-30	3/4	19.0	12	M30x2.0	20	36	91	30
0284X12-36	3/4	19.0	12	M36x2.0	25	46	91	31
0284X16-36	1	25.4	16	M36x2.0	30	46	106	34
0284X16-42	1	25.4	16	M42x2.0	38	50	107	33
0284X20-52	1 1/4	31.8	20	M52x2.0	38	60	157	50

0184X

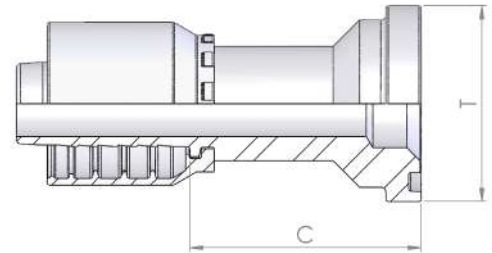


90° Metric Swept Elbow 24° Seat Heavy

Part number	Hose I.D.		Dimension					
	in	mm	dash size	thread	tube	hex	cut-off	drop
				T		E	C	H
0184X12-30	3/4	19.0	12	M30x2.0	20	36	59	56
0184X12-36	3/4	19.0	12	M36x2.0	25	46	58	59
0184X16-36	1	25.4	16	M36x2.0	25	46	70	67
0184X16-42	1	25.4	16	M42x2.0	30	50	74	67
0184X20-52	1 1/4	31.8	20	M52x2.0	38	60	84	82
0184X24-52	1 1/2	38.1	24	M52x2.0	38	60	99	94

1250X

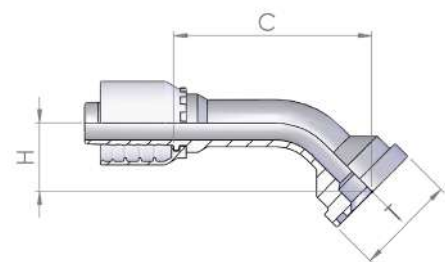
Straight SAE Code 61 Flange



Part number	Hose I.D.		dash size	Dimension		
	in	mm		flange		cut-off
				T	mm	C
1250X12-12	3/4	19.0	12	3/4	38.1	51
1250X12-16	3/4	19.0	12	1	44.5	54
1250X16-16	1	25.4	16	1	44.5	56
1250X16-20	1	25.4	16	1 1/4	50.8	59
1250X20-20	1 1/4	31.8	20	1 1/4	50.8	59
1250X20-24	1 1/4	31.8	20	1 1/2	60.3	62
1250X24-24	1 1/2	38.1	24	1 1/2	60.3	62
1250X24-32	1 1/2	38.1	24	2	71.4	67
1250X32-32	2	50.8	32	2	71.4	75
1250X32-40	2	54.8	32	2 1/2	84.1	83

1150X

45° SAE Code 61 Flange

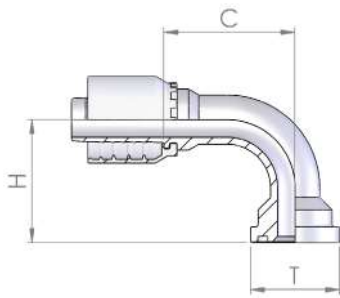


Part number	Hose I.D.		dash size	Dimension			
	in	mm		flange		cut-off	Drop
				T	mm	C	H
1150X12-12	3/4	19.0	12	3/4	38.1	84	27
1150X12-16	3/4	19.0	12	1	44.5	88	30
1150X16-16	1	25.4	16	1	44.5	106	33
1150X16-20	1	25.4	16	1 1/4	50.8	110	37
1150X20-20	1 1/4	31.8	20	1 1/4	50.8	102	38
1150X20-24	1 1/4	31.8	20	1 1/2	60.3	147	39
1150X24-24	1 1/2	38.1	24	1 1/2	60.3	114	44
1150X24-32	1 1/2	38.1	24	2	71.4	170	45
1150X32-32	2	50.8	32	2	71.4	196	56



1050X

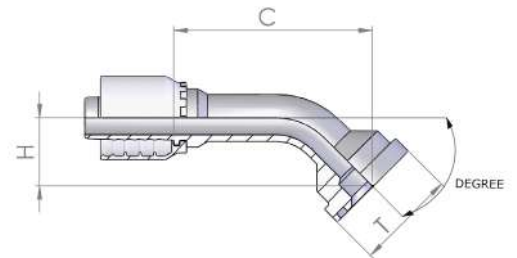
90° SAE Code 61 Flange



Part number	Hose I.D.		Dimension				
	in	mm	dash size	flange		cut-off	Drop
				T	mm	C	H
1050X12-12	3/4	19.0	12	3/4	38.1	58	53
1050X12-16	3/4	19.0	12	1	44.5	58	58
1050X16-16	1	25.4	16	1	44.5	72	65
1050X16-20	1	25.4	16	1 1/4	50.8	72	70
1050X20-16	1 1/4	31.8	20	1	44.5	81	77
1050X20-20	1 1/4	31.8	20	1 1/4	50.8	101	82
1050X20-24	1 1/4	31.8	20	1 1/2	60.3	106	80
1050X24-24	1 1/2	38.1	24	1 1/2	60.3	120	92
1050X24-32	1 1/2	38.1	24	2	71.4	120	93
1050X32-32	2	50.8	32	2	71.4	139	123

1050X

22.5°/30°/60°/67.5° SAE Code 61 Flange

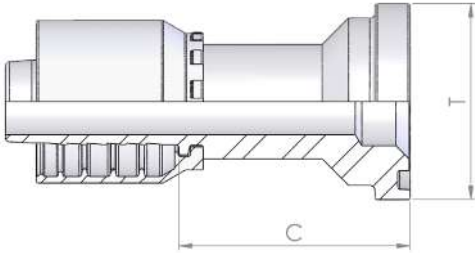


Part number	Hose I.D.		Dimension					Degree
	in	mm	dash size	flange		cut-off C	Drop H	
				T	mm			
1050X12-12 22.5	3/4	19.0	12	3/4	38.1	78	11	22.5°
1050X16-16 22.5	1	25.4	16	1	44.5	91	14	22.5°
1050X20-20 22.5	1 1/4	31.8	20	1 1/4	50.8	152	18	22.5°
1050X24-24 22.5	1 1/2	38.1	24	1 1/2	60.3	124	17	22.5°
1050X32-32 22.5	2	50.8	32	2	71.4	163	28	22.5°
1050X12-12 30	3/4	19.0	12	3/4	38.1	77	16	30°
1050X16-16 30	1	25.4	16	1	44.5	89	19	30°
1050X20-20 30	1 1/4	31.8	20	1 1/4	50.8	150	25	30°
1050X24-24 30	1 1/2	38.1	24	1 1/2	60.3	175	27	30°
1050X32-32 30	2	50.8	32	2	71.4	156	37	30°
1050X12-12 60	3/4	19.0	12	3/4	38.1	78	36	60°
1050X16-16 60	1	25.4	16	1	44.5	97	43	60°
1050X20-20 60	1 1/4	31.8	20	1 1/4	50.8	136	49	60°
1050X24-24 60	1 1/2	38.1	24	1 1/2	60.3	138	55	60°
1050-32-32 60	2	50.8	32	2	71.4	186	82	60°
1050X12-12 67.5	3/4	19.0	12	3/4	38.1	74	41	67.5°
1050X16-16 67.5	1	25.4	16	1	44.5	93	48	67.5°
1050X20-20 67.5	1 1/4	31.8	20	1 1/4	50.8	132	53	67.5°
1050X24-24 67.5	1 1/2	38.1	24	1 1/2	60.3	167	66	67.5°
1050X32-32 67.5	2	50.8	32	2	71.4	177	93	67.5°



1300X

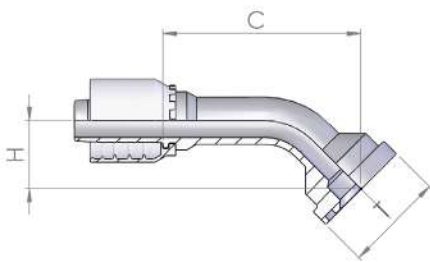
Straight SAE Code 62 Flange



Part number	Hose I.D.		dash size	Dimension		cut-off
	in	mm		flange		
				T	mm	C
1300X12-12	3/4	19.0	12	3/4	41.3	55
1300X12-16	3/4	19.0	12	1	47.6	61
1300X16-12	1	25.4	16	3/4	41.3	57
1300X16-16	1	25.4	16	1	47.6	63
1300X16-20	1	25.4	16	1 1/4	54.0	70
1300X20-16	1 1/4	31.8	20	1	47.6	66
1300X20-20	1 1/4	31.8	20	1 1/4	54.0	70
1300X20-24	1 1/4	31.8	20	1 1/2	63.5	76
1300X24-20	1 1/2	38.1	24	1 1/4	54.0	80
1300X24-24	1 1/2	38.1	24	1 1/2	63.5	76
1300X24-32	1 1/2	38.1	24	2	79.4	85
1300X32-24	2	50.8	32	1 1/2	63.5	85.5
1300X32-32	2	50.8	32	2	79.4	92

1200X

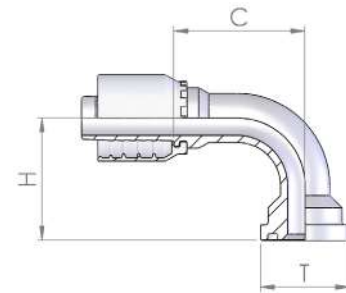
45° SAE Code 62 Flange



Part number	Hose I.D.		dash size	Dimension		cut-off	Drop
	in	mm		flange			
				T	mm	C	H
1200X12-12	3/4	19.0	12	3/4	41.3	87	30
1200X12-16	3/4	19.0	12	1	47.6	94	34
1200X16-12	1	25.4	16	3/4	41.3	112	35
1200X16-16	1	25.4	16	1	47.6	109	37
1200X16-20	1	25.4	16	1 1/4	54.0	115	41
1200X20-16	1 1/4	31.8	20	1	47.6	123	33
1200X20-20	1 1/4	31.8	20	1 1/4	54.0	155	43
1200X20-24	1 1/4	31.8	20	1 1/2	63.5	155	45
1200X24-24	1 1/2	38.1	24	1 1/2	63.5	122	50
1200X24-32	1 1/2	38.1	24	2	79.4	187	56
1200X32-32	2	50.8	32	2	79.4	161	71

1100X

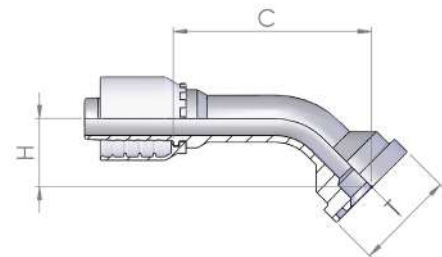
90° SAE Code 62 Flange



Part number	Hose I.D.		Dimension				
	in	mm	dash size	flange		cut-off C	Drop H
				T	mm		
1100X12-12	3/4	19.0	12	3/4	41.3	58	57
1100X12-16	3/4	19.0	12	1	47.6	56	63
1100X16-12	1	25.4	16	3/4	41.3	80	66
1100X16-16	1	25.4	16	1	47.6	72	69
1100X16-20	1	25.4	16	1 1/4	54.0	72	77
1100X20-16	1 1/4	31.8	20	1	47.6	104	70
1100X20-20	1 1/4	31.8	20	1 1/4	54.0	103	85
1100X20-24	1 1/4	31.8	20	1 1/2	63.5	114	91
1100X24-20	1 1/2	38.1	24	1 1/4	54.0	110	84
1100X24-24	1 1/2	38.1	24	1 1/2	63.5	118	102
1100X24-32	1 1/2	38.1	24	2	79.4	122	114
1100X32-32	2	50.8	32	2	79.4	147	143

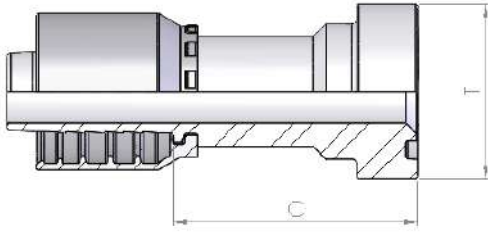
1100X

22.5°/30°/60°/67.5°/110° SAE Code 62 Flange



Part number	Hose I.D.		Dimension					Degree
	in	mm	dash size	flange		cut-off C	Drop H	
				T	mm			
1100X32-32 22.5	2	50.8	32	2	79.4	178	49	22.5°
1100X12-12 30	3/4	19.0	12	3/4	41.3	77	16	30°
1100X16-16 30	1	25.4	16	1	47.6	89	19	30°
1100X20-20 30	1 1/4	31.8	20	1 1/4	54.0	109	26	30°
1100X24-24 30	1 1/2	38.1	20	1 1/2	63.5	122	23	30°
1100X32-32 30	2	50.8	32	2	79.4	174	49	30°
1100X12-12 60	3/4	19.0	12	3/4	41.3	78	36	60°
1100X12-16 60	3/4	19.0	12	1	47.6	81	51	60°
1100X16-16 60	1	25.4	16	1	47.6	97	43	60°
1100X20-20 60	1 1/4	31.8	20	1 1/4	54.0	116	49	60°
1100X20-24 60	1 1/4	31.8	20	1 1/2	63.5	143	73	60°
1100X24-24 60	1 1/2	38.1	24	1 1/2	63.5	175	54	60°
1100X32-32 60	2	50.8	32	2	79.4	198	98	60°
1100X32-32 67.5	2	50.8	32	2	79.4	185	112	67.5°
1100X32-32 110	2	50.8	32	2	79.4	117	106.5	110°

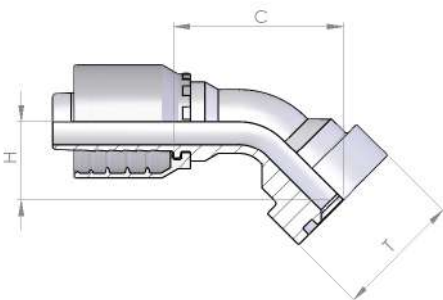
130SX



Straight 'CAT' Flange

Part number	Hose I.D.		dash size	Dimension		cut-off
	in	mm		flange		
				T	mm	C
130SX12-12	3/4	19.0	12	3/4	41.3	59
130SX12-16	3/4	19.0	12	1	47.6	66
130SX16-16	1	25.4	16	1	47.6	67
130SX16-20	1	25.4	16	1 1/4	54.0	75
130SX20-20	1 1/4	31.8	20	1 1/4	54.0	74
130SX20-24	1 1/4	31.8	20	1 1/2	63.5	78
130SX24-24	1 1/2	38.1	24	1 1/2	63.5	80
130SX32-24	2	50.8	32	1 1/2	63.5	71.5
130SX32-32	2	50.8	32	2	79.4	94

120SX

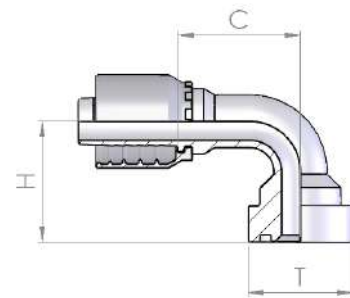


45° 'CAT' Flange

Part number	Hose I.D.		dash size	Dimension		cut-off	Drop
	in	mm		flange			
				T	mm	C	H
120SX12-12	3/4	19.0	12	3/4	41.3	90	32
120SX12-16	3/4	19.0	12	1	47.6	97	33
120SX16-16	1	25.4	16	1	47.6	121	40
120SX16-20	1	25.4	16	1 1/4	54.0	124	44
120SX20-20	1 1/4	31.8	20	1 1/4	54.0	146	44
120SX20-24	1 1/4	31.8	20	1 1/2	63.5	157	48
120SX24-24	1 1/2	38.1	24	1 1/2	63.5	172	52
120SX32-32	2	50.8	32	2	79.4	162	72

110SX

90° 'CAT' Flange



Part number	Hose I.D.		Dimension				
	in	mm	dash size	flange	cut-off	Drop	
				T	mm	C	H
110SX12-12	3/4	19.0	12	3/4	41.3	58	60
110SX12-16	3/4	19.0	12	1	47.6	58	67
110SX16-16	1	25.4	16	1	47.6	80	74
110SX16-20	1	25.4	16	1 1/4	54.0	79	80
110SX20-20	1 1/4	31.8	20	1 1/4	54.0	103	88
110SX20-24	1 1/4	31.8	20	1 1/2	63.5	96	95
110SX24-24	1 1/2	38.1	24	1 1/2	63.5	118	104
110SX24-32	1 1/2	38.1	24	2	79.4	122	118
110SX32-32	2	50.8	32	2	79.4	142	145

Braided Hose No-Skive

NPTF Male 30° Cone.....	0370G	7
NPTF Male 30° Cone - Swivel.....	037GG	8
NPSM Female 30° Cone - Rolled Nut.....	N051G	8
JIC Male 37° Cone.....	0850G.....	9
JIC Female 37° Cone - Rolled Nut	0911G.....	10
JIC Female 37° Cone - Thrust Wire Nut.....	0900G.....	11
JIC 45° Swept Elbow 37° Cone - Rolled Nut	1001G	11
JIC 45° Swept Elbow 37° Cone - Thrust Wire Nut.....	1000G.....	12
JIC 90° Swept Elbow 37° Cone - Rolled Nut	0951G	12
JIC 90° Swept Elbow 37° Cone - Thrust Wire Nut.....	0950G	13
JIC 90° Swept Elbow 37° Cone - Long Drop - Rolled Nut	095LG.....	13
JIC 90° Compact Elbow 37° Cone - Crimped Nut	2971G	14
JIC 90° Compact Elbow 37° Cone - Thrust Wire Nut.....	2970G	14
ORFS Male	S350G	15
ORFS Female Double Hexagon	S05TG	15
ORFS 45° Swept Elbow.....	S250G	16
ORFS 90° Swept Elbow.....	S150G	17
ORFS 90° Swept Elbow - Long Drop.....	S15LG.....	17
ORFS 90° Swept Elbow - Short Drop	S155G	18
SAE Male O-Ring Boss.....	0385G	19
Swivel Male O-Ring Boss.....	0390G.....	19
90° Male O-Ring Boss Swivel.....	0395G	20
Straight Male Inverted Flare Swivel	IF00G	20
45° Male Inverted Flare Swivel.....	IF45G.....	21
90° Male Inverted Flare Swivel	IF90G.....	21
JIS Female 60° Cone (Toyota)	0930G.....	22
90° JIS Swept Elbow (Toyota) - Welded	0980G.....	22
JIS Female 60° Cone (Komatsu)	0940G.....	23
45° JIS Swept Elbow (Komatsu) - Welded	1040G.....	23
90° JIS Swept Elbow (Komatsu) - Welded.....	0990G.....	24
Straight Komatsu Flange.....	1250G	24
45° Komatsu Flange	1150G.....	24
90° Komatsu Flange.....	1050G.....	24
Kobelco Male.....	K05BG.....	25
BSP Taper Male 60° Cone.....	0360G.....	26
BSP Male Parallel 60° Cone	0350G	27
BSP Female 60° Cone - Rolled Nut	0051G.....	28
BSP Female 60° Cone - Slip-on Nut	0052G	28
BSP Female 60° Cone - Thrust Wire Nut.....	0050G.....	29
BSP 45° Swept Elbow 60° Cone - Rolled Nut	0251G	30
BSP 45° Swept Elbow 60° Cone - Slip-on Nut.....	0252G	30
BSP 45° Swept Elbow 60° Cone - Thrust Wire Nut.....	0250G	31
BSP 90° Swept Elbow 60° Cone - Rolled Nut	0151G.....	32

BSP 90° Swept Elbow 60° Cone - Slip-on Nut.....	0152G.....	32
BSP 90° Swept Elbow 60° Cone - Thrust Wire Nut.....	0150G.....	33
BSP O-Ring Female 60° Cone - Rolled Nut.....	0041G.....	34
BSP O-Ring Female 60° Cone - Slip-on Nut.....	0042G.....	34
BSP O-Ring 45° Swept Elbow 60° Cone - Rolled Nut.....	0241G.....	35
BSP O-Ring 45° Swept Elbow 60° Cone - Slip-on Nut.....	0242G.....	35
BSP O-Ring 90° Swept Elbow 60° Cone - Rolled Nut.....	0141G.....	36
BSP O-Ring 90° Swept Elbow 60° Cone - Slip-on Nut.....	0142G.....	36
BSP 90° Compact Elbow 60° Cone - Rolled Nut.....	2321G.....	37
BSP 90° Compact Elbow 60° Cone - Thrust Wire Nut.....	2320G.....	37
BSP Male Flat Seal.....	0345G.....	38
BSP Female Flat Seal.....	0060G.....	38
BSP Banjo.....	1400G.....	39
BSP Perforated Bolt.....	1600-00.....	40
BSP Double Perforated Bolt.....	1600.....	40
Karcher Female.....	FK50G.....	41
Metric Standpipe.....	0550G.....	42
45° Metric Standpipe.....	0750G.....	43
90° Metric Standpipe.....	0650G.....	44
Metric Banjo.....	1350G.....	45
Metric Perforated Bolt.....	1650.....	45
French Metric GAZ Male 24° Cone.....	0430G.....	46
French Metric GAZ Female 24° Cone.....	0030G.....	46
French Metric GAZ 90° Swept Elbow 24° Cone.....	0130G.....	46
Metric Female 60° Cone.....	0100G.....	47
90° Metric Swept Elbow 60° Cone.....	0200G.....	47
Metric Female Light Multiseal 24° Cone.....	0035G.....	48
90° Metric Multiseal Swept Elbow 24° Cone.....	0135G.....	48
Metric Male 24° Seat Light (DKOL).....	0500G.....	49
Metric Female 24° Seat Light (DKOL).....	0085G.....	50
45° Metric Swept Elbow 24° Seat Light (DKOL).....	0285G.....	51
90° Metric Swept Elbow 24° Seat Light (DKOL).....	0185G.....	52
Metric Male 24° Seat Heavy (DKOS).....	0450G.....	53
Metric Female 24° Seat Heavy (DKOS).....	0084G.....	54
45° Metric Swept Elbow 24° Seat Heavy (DKOS).....	0284G.....	55
90° Metric Swept Elbow 24° Seat Heavy (DKOS).....	0184G.....	56
Straight SAE Code 61 Flange.....	1260G.....	57
45° SAE Code 61 Flange.....	1160G.....	57
90° SAE Code 61 Flange.....	1260G.....	58
22.5°/30°/60°/67.5° SAE Code 61 Flange.....	1260G.....	59
Straight SAE Code 62 Flange.....	1310G.....	60
90° SAE Code 62 Flange.....	1110G.....	61
45° SAE Code 62 Flange.....	1210G.....	62
90° 'CAT' Flange.....	1105G.....	62
Hose Junction.....	D050G.....	63

Spiral Hose No-Skive

NPTF Male 30° Cone.....	0370X	68
JIC Male 37° Cone.....	0850X	68
JIC Female 37° Cone.....	0900X.....	69
JIC 45° Swept Elbow 37° Cone.....	1000X.....	69
JIC 90° Swept Elbow 37° Cone.....	0950X	70
ORFS Male	S350X	71
ORFS Female Double Hexagon	S05TX	72
ORFS 45° Swept Elbow.....	S250X	72
ORFS 90° Swept Elbow.....	S150X.....	73
SAE Male O-Ring Boss.....	0385X	73
JIS Female 60° Cone (Komatsu).....	0940X.....	74
Kobelco Male.....	K05BX.....	74
BSP Taper Male 60° Cone.....	0360X.....	75
BSP Male Parallel 60° Cone	0350X	76
BSP Female 60° Cone - Thrust Wire Nut.....	0050X.....	77
BSP 45° Swept Elbow 60° Cone.....	0250X	77
BSP 90° Swept Elbow 60° Cone.....	0150X.....	78
Metric Male 24° Seat Light (DKOL)	0500X.....	78
Metric Female 24° Seat Light (DKOL)	0085X.....	79
45° Metric Swept Elbow 24° Seat Light (DKOL).....	0285X	80
90° Metric Swept Elbow 24° Seat Light (DKOL).....	0185X.....	80
Metric Male 24° Seat Heavy (DKOS).....	0450X.....	81
Metric Female 24° Seat Heavy (DKOS).....	0084X.....	81
45° Metric Swept Elbow 24° Seat Heavy (DKOS)	0284X.....	82
90° Metric Swept Elbow 24° Seat Heavy (DKOS)	0184X.....	82
Straight SAE Code 61 Flange.....	1250X	83
45° SAE Code 61 Flange.....	1150X.....	83
90° SAE Code 61 Flange.....	1050X.....	84
22.5°/30°/60°/67.5° SAE Code 61 Flange	1050X.....	85
Straight SAE Code 62 Flange.....	1300X.....	86
90° SAE Code 62 Flange	1200X.....	86
45° SAE Code 62 Flange	1100X.....	87
22.5°/30°/60°/67.5°/110° SAE Code 62 Flange.....	1100X.....	87
Straight 'CAT' Flange.....	1305X	88
45° 'CAT' Flange	1205X	88
90° 'CAT' Flange	1105X.....	89

Index by Part Number Prefix

0030G	French Metric GAZ Female 24° Cone.....	46
0035G.....	Metric Female Light Multiseal 24° Cone.....	48
0041G	BSP O-Ring Female 60° Cone - Rolled Nut.....	34
0042G	BSP O-Ring Female 60° Cone - Slip-on Nut.....	34
0050G.....	BSP Female 60° Cone - Thrust Wire Nut.....	29
0050X.....	BSP Female 60° Cone - Thrust Wire Nut.....	77
0051G	BSP Female 60° Cone - Rolled Nut	28
0052G.....	BSP Female 60° Cone - Slip-on Nut.....	28
0060G	BSP Female Flat Seal	38
0084G	Metric Female 24° Seat Heavy (DKOS).....	54
0084X	Metric Female 24° Seat Heavy (DKOS).....	81
0085G.....	Metric Female 24° Seat Light (DKOL).....	50
0085X.....	Metric Female 24° Seat Light (DKOL).....	79
0100G	Metric Female 60° Cone.....	47
0130G	French Metric GAZ 90° Swept Elbow 24° Cone.....	46
0135G.....	90° Metric Multiseal Swept Elbow 24° Cone.....	48
0141G	BSP O-Ring 90° Swept Elbow 60° Cone - Rolled Nut.....	36
0142G	BSP O-Ring 90° Swept Elbow 60° Cone - Slip-on Nut.....	36
0150G	BSP 90° Swept Elbow 60° Cone - Thrust Wire Nut.....	33
0150X.....	BSP 90° Swept Elbow 60° Cone	78
0151G	BSP 90° Swept Elbow 60° Cone - Rolled Nut	32
0152G.....	BSP 90° Swept Elbow 60° Cone - Slip-on Nut.....	32
0184G	90° Metric Swept Elbow 24° Seat Heavy (DKOS).....	56
0184X	90° Metric Swept Elbow 24° Seat Heavy (DKOS).....	82
0185G	90° Metric Swept Elbow 24° Seat Light (DKOL).....	52
0185X.....	90° Metric Swept Elbow 24° Seat Light (DKOL).....	80
0200G	90° Metric Swept Elbow 60° Cone.....	47
0241G	BSP O-Ring 45° Swept Elbow 60° Cone - Rolled Nut.....	35
0242G.....	BSP O-Ring 45° Swept Elbow 60° Cone - Slip-on Nut	35
0250G.....	BSP 45° Swept Elbow 60° Cone - Thrust Wire Nut.....	3
0250X.....	BSP 45° Swept Elbow 60° Cone	77
0251G.....	BSP 45° Swept Elbow 60° Cone - Rolled Nut	30
0252G.....	BSP 45° Swept Elbow 60° Cone - Slip-on Nut.....	30
0284G	45° Metric Swept Elbow 24° Seat Heavy (DKOS).....	55
0284X	45° Metric Swept Elbow 24° Seat Heavy (DKOS).....	82
0285G.....	45° Metric Swept Elbow 24° Seat Light (DKOL).....	51
0285X.....	45° Metric Swept Elbow 24° Seat Light (DKOL).....	80
0345G.....	BSP Male Flat Seal.....	38
0350G.....	BSP Male Parallel 60° Cone	27
0350X.....	BSP Male Parallel 60° Cone	76
0360G.....	BSP Taper Male 60° Cone.....	26
0360X.....	BSP Taper Male 60° Cone.....	75
0370G.....	NPTF Male 30° Cone.....	7



0370X.....	NPTF Male 30° Cone.....	68
037GG.....	NPTF Male 30° Cone - Swivel.....	8
0385G.....	SAE Male O-Ring Boss.....	19
0385X.....	SAE Male O-Ring Boss.....	73
0390G.....	Swivel Male O-Ring Boss.....	19
0395G.....	90° Male O-Ring Boss Swivel.....	20
0430G.....	French Metric GAZ Male 24° Cone.....	46
0450G.....	Metric Male 24° Seat Heavy (DKOS).....	53
0450X.....	Metric Male 24° Seat Heavy (DKOS).....	81
0500G.....	Metric Male 24° Seat Light (DKOL).....	49
0500X.....	Metric Male 24° Seat Light (DKOL).....	78
0550G.....	Metric Standpipe.....	42
0650G.....	90° Metric Standpipe.....	44
0750G.....	45° Metric Standpipe.....	43
0850G.....	JIC Male 37° Cone.....	9
0850X.....	JIC Male 37° Cone.....	68
0900G.....	JIC Female 37° Cone - Thrust Wire Nut.....	11
0900X.....	JIC Female 37° Cone.....	69
0911G.....	JIC Female 37° Cone - Rolled Nut.....	10
0930G.....	JIS Female 60° Cone (Toyota).....	22
0940G.....	JIS Female 60° Cone (Komatsu).....	23
0940X.....	JIS Female 60° Cone (Komatsu).....	74
0950G.....	JIC 90° Swept Elbow 37° Cone - Thrust Wire Nut.....	13
0950X.....	JIC 90° Swept Elbow 37° Cone.....	70
0951G.....	JIC 90° Swept Elbow 37° Cone - Rolled Nut.....	12
095LG.....	JIC 90° Swept Elbow 37° Cone - Long Drop - Rolled Nut.....	13
0980G.....	90° JIS Swept Elbow (Toyota) - Welded.....	22
0990G.....	90° JIS Swept Elbow (Komatsu) - Welded.....	24
1000G.....	JIC 45° Swept Elbow 37° Cone - Thrust Wire Nut.....	12
1000X.....	JIC 45° Swept Elbow 37° Cone.....	69
1001G.....	JIC 45° Swept Elbow 37° Cone - Rolled Nut.....	11
1040G.....	45° JIS Swept Elbow (Komatsu) - Welded.....	23
1050.....	90° Komatsu Flange.....	24
1050X.....	90° SAE Code 61 Flange.....	84
1050X.....	22.5°/30°/60°/67.5° SAE Code 61 Flange.....	85
1100X.....	45° SAE Code 62 Flange.....	87
1100X.....	22.5°/30°/60°/67.5°/110° SAE Code 62 Flange.....	87
1105G.....	90° 'CAT' Flange.....	62
1105X.....	90° 'CAT' Flange.....	89
1110G.....	90° SAE Code 62 Flange.....	61
1150G.....	45° Komatsu Flange.....	24
1150X.....	45° SAE Code 61 Flange.....	83
1160G.....	45° SAE Code 61 Flange.....	57
1200X.....	90° SAE Code 62 Flange.....	86

1205X.....	45° 'CAT' Flange	88
1210G.....	45° SAE Code 62 Flange	62
1250G.....	Straight Komatsu Flange.....	24
1250X.....	Straight SAE Code 61 Flange.....	83
1260G	Straight SAE Code 61 Flange.....	57
1260G	90° SAE Code 61 Flange.....	58
1260G	22.5°/30°/60°/67.5° SAE Code 61 Flange	59
1300X	Straight SAE Code 62 Flange	86
1305X.....	Straight 'CAT' Flange.....	88
1310G.....	Straight SAE Code 62 Flange	60
1350G.....	Metric Banjo.....	45
1400G.....	BSP Banjo.....	39
1600	BSP Double Perforated Bolt.....	40
1600-00.....	BSP Perforated Bolt.....	40
1650	Metric Perforated Bolt	45
2320G.....	BSP 90° Compact Elbow 60° Cone - Thrust Wire Nut.....	37
2321G.....	BSP 90° Compact Elbow 60° Cone - Rolled Nut	37
2970G.....	JIC 90° Compact Elbow 37° Cone - Thrust Wire Nut.....	14
2971G.....	JIC 90° Compact Elbow 37° Cone - Crimped Nut	14
D050G	Hose Junction	63
FK50G.....	Karcher Female.....	41
IF00G.....	Straight Male Inverted Flare Swivel	20
IF45G	45° Male Inverted Flare Swivel.....	21
IF90G	90° Male Inverted Flare Swivel.....	21
K05BG	Kobelco Male	25
K05BX	Kobelco Male	74
N051G.....	NPSM Female 30° Cone - Rolled Nut	8
S05TG.....	ORFS Female Double Hexagon	15
S05TX.....	ORFS Female Double Hexagon	72
S150G.....	ORFS 90° Swept Elbow.....	17
S150X.....	ORFS 90° Swept Elbow.....	73
S15LG.....	ORFS 90° Swept Elbow - Long Drop.....	17
S15SG.....	ORFS 90° Swept Elbow - Short Drop	18
S250G.....	ORFS 45° Swept Elbow.....	16
S250X.....	ORFS 45° Swept Elbow.....	72
S350G.....	ORFS Male	15
S350X.....	ORFS Male	71



Built to INTERconnect.





**Muncie[®]
Power
Products**



INTERPUMP
FLUID SOLUTIONS 

MEMBERS OF THE INTERPUMP GROUP