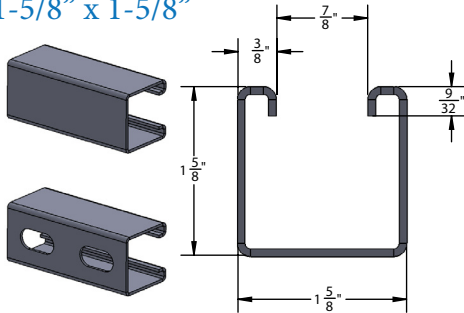
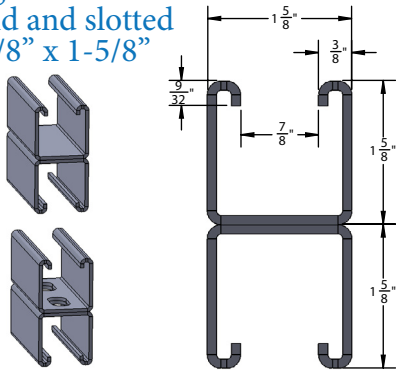


7000 7001 12 ga strut solid and slotted 1-5/8" x 1-5/8"



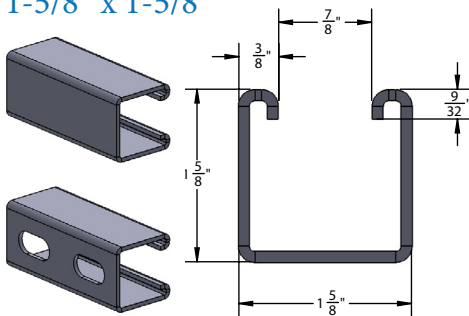
Type:	7000 (Solid)	7001 (Slotted)
Materials/Finishes:	Zinc Plated (7000Z)	Zinc Plated (7001Z)
	T-304 Stainless (7000SS)	T-304 Stainless (7001SS)
	T-316 Stainless (7000SX)	T-316 Stainless (7001SX)
Lengths:	10' & 20'	10' & 20'
WGT/FT (lbs):	1.90	1.85

7000A 7001A 12 ga back to back strut solid and slotted 1-5/8" x 1-5/8"



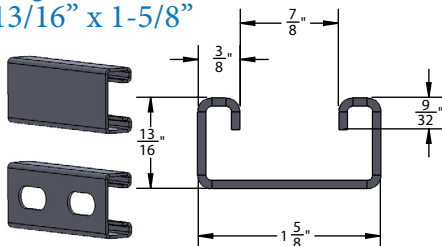
Type:	7000A (Solid)	7001A (Slotted)
Materials/Finishes:	Zinc Plated (7000AZ)	Zinc Plated (7001AZ)
	T-304 Stainless (7000ASS)	T-304 Stainless (7001ASS)
	T-316 Stainless (7000ASX)	T-316 Stainless (7001ASX)
Lengths:	10' & 20'	10' & 20'
WGT/FT (lbs):	3.80	3.70

7100 7101 14 ga strut solid and slotted 1-5/8" x 1-5/8"



Type:	7100 (Solid)	7101 (Slotted)
Materials/Finishes:	Zinc Plated (7100Z)	Zinc Plated (7101Z)
	T-304 Stainless (7100SS)	T-304 Stainless (7101SS)
	T-316 Stainless (7100SX)	T-316 Stainless (7101SX)
Lengths:	10' & 20'	10' & 20'
WGT/FT (lbs):	1.40	1.36

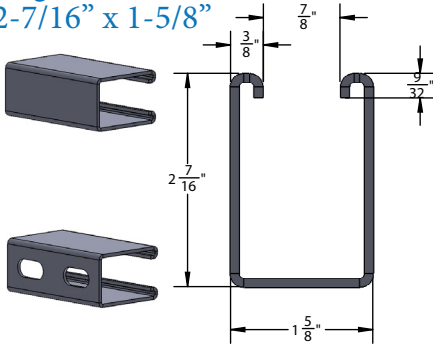
7200 7201 14 ga strut solid and slotted 13/16" x 1-5/8"



Type:	7200 (Solid)	7201 (Slotted)
Materials/Finishes:	Zinc Plated (7200Z)	Zinc Plated (7201Z)
	T-304 Stainless (7200SS)	T-304 Stainless (7201SS)
	T-316 Stainless (7200SX)	T-316 Stainless (7201SX)
Lengths:	10' & 20'	10' & 20'
WGT/FT (lbs):	.97	.87

7230 7231

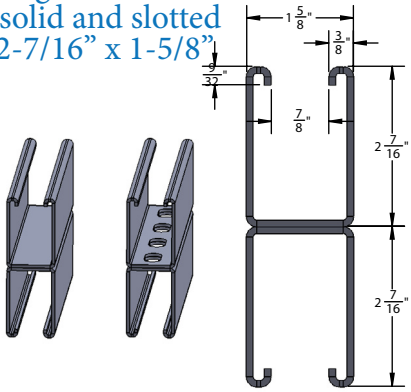
12 ga strut solid and slotted
2-7/16" x 1-5/8"



Type:	7230 (Solid)	7231 (Slotted)
Materials/Finishes:	Zinc Plated (7230Z)	Zinc Plated (7231Z)
	T-304 Stainless (7230SS)	T-304 Stainless (7231SS)
	T-316 Stainless (7230SX)	T-316 Stainless (7231SX)
Lengths:	10' & 20'	10' & 20'
WGT/FT (lbs):	2.59	2.52

7240 7241

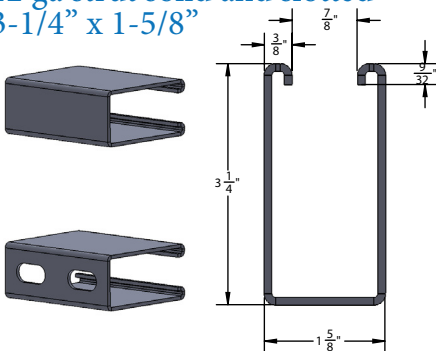
12 ga back to back strut
solid and slotted
2-7/16" x 1-5/8"



Type:	7240 (Solid)	7241 (Slotted)
Materials/Finishes:	Zinc Plated (7240Z)	Zinc Plated (7241Z)
	T-304 Stainless (7240SS)	T-304 Stainless (7241SS)
	T-316 Stainless (7240SX)	T-316 Stainless (7241SX)
Lengths:	10' & 20'	10' & 20'
WGT/FT (lbs):	5.18	5.04

7250 7251

12 ga strut solid and slotted
3-1/4" x 1-5/8"



Type:	7250 (Solid)	7251 (Slotted)
Materials/Finishes:	Zinc Plated (7250Z)	Zinc Plated (7251Z)
	T-304 Stainless (7250SS)	T-304 Stainless (7251SS)
	T-316 Stainless (7250SX)	T-316 Stainless (7251SX)
Lengths:	10' & 20'	10' & 20'
WGT/FT (lbs):	3.13	3.08

PROJECT INFORMATION	APPROVAL STAMP
Project:	Notes:
Address:	
Contractor:	
Engineer:	
Date:	
Approved Approved as Noted Not Approved	