

Push-in fittings QB, NPT



Push-in fittings QB, NPT

Technical data

FESTO

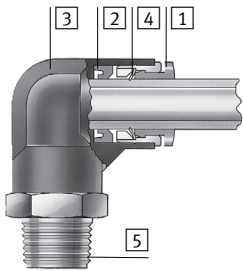
General technical data					
Connecting thread	UNF10-32	NPT1/8-27	NPT1/4-18	NPT3/8-18	NPT1/2-14
Size	Standard				
Design	Push-pull principle				
Mounting position	Any				
Type of seal on threaded plug	Sealing ring	Coating			
Max. tightening torque [ft-lbf]	1.106	5.163	8.851	16.226	20.652

Operating and environmental conditions	
Operating pressure complete [psi]	-13.8 ... +145
temperature range	
Operating medium	Compressed air in accordance with ISO 8573-1:2010 [7:-:-]
Note on operating/pilot medium	Operation with lubricated medium possible
Ambient temperature [°F]	32 ... 140
Corrosion resistance class CRC ¹⁾	1

- 1) Corrosion resistance class CRC 1 to Festo standard FN 940070
 Low corrosion stress. For dry indoor applications or transport and storage protection. Also applies to parts behind covers, in the non-visible interior area, and parts which are covered in the application (e.g. drive trunnions).

Materials

Sectional view








Materials		
Push-in fitting QB/QBF/QBL/QBLL/QBLF/QBLV/QBT/QBTL/QBY		
1	Release ring	POM (colour: grey)
2	Tubing seal	NBR
3	Housing	QB/QBF
		QBL/QBLL/QBLF/QBLV/ QBT/QBTL/QBY
4	Tube retaining claw	High-alloy stainless steel
5	Threaded plug	QBL/QBLL/QBLF/QBT/ QBTL/QBY
		Hollow bolt
		Threaded seal (NPT thread only)
		Nickel-plated brass
		Nickel-plated brass
		PTFE
Note on materials		Contains PWIS (paint-wetting impairment substances) RoHS-compliant
Push-in connector QB/QBS/QBL/QBT/QBX/QBY, multiple distributor QBT3		
1	Release ring	POM (colour: grey)
2	Tubing seal	NBR
3	Housing	QBS
		QB/QBL/QBT/QBT3/QBX/ QBY
4	Tube retaining claw	High-alloy stainless steel
-	Nut	QBS
		Nickel-plated brass
Note on materials		Contains PWIS (paint-wetting impairment substances) RoHS-compliant
Push-in sleeve QBH, blanking plug QBC		
3	Housing	PBT
Note on materials		Contains PWIS (paint-wetting impairment substances) RoHS-compliant

Push-in fittings QB, NPT

Product range overview






Design	Version	Type	Connection D1				Connection D2		→ Page/ Internet
			UNF thread	NPT thread	Tubing O.D.	Push-in sleeve Ø	Tubing O.D.	Push-in sleeve Ø	
Inline	Push-in fitting – Male thread with external hex								
		QB	10-32 –	– 1/8 1/4 3/8 1/2	–	–	5/32, 3/16, 1/4 5/32, 3/16, 1/4, 5/16, 3/8 5/32, 3/16, 1/4, 5/16, 3/8, 1/2 1/4, 5/16, 3/8, 1/2 5/16, 3/8, 1/2	–	8
	Push-in fitting – Female thread with external hex								
		QBF	–	1/8 1/4 3/8 1/2	–	–	5/32, 3/16, 1/4, 5/16, 3/8 5/32, 3/16, 1/4, 5/16, 3/8, 1/2 1/4, 5/16, 3/8, 1/2 5/16, 3/8	–	10
	Push-in connector								
		QB-...-T	–	–	5/32 3/16 1/4 5/16 3/8 1/2	–	–	–	11
		QB-...-T reducing	–	–	3/16 1/4 5/16 3/8 1/2	–	5/32 5/32, 3/16 5/32, 1/4 1/4, 5/16 3/8	–	
	Push-in bulkhead connector								
		QBS-...T	–	–	5/32 3/16 1/4 5/16 3/8 1/2	–	–	–	12

Push-in fittings QB, NPT






Product range overview



Design	Version	Type	Connection D1				Connection D2		→ Page/ Internet
			UNF thread	NPT thread	Tubing O.D.	Push-in sleeve Ø	Tubing O.D.	Push-in sleeve Ø	
Inline	Push-in connector with push-in sleeve								
		QB-...H	-	-	-	1/8	1/4	-	13
						5/32	1/8, 1/4		
						1/4	1/8, 5/32		
						5/16	5/32, 1/4		
						3/8	1/4, 5/16		
						1/2	3/8		
	Push-in sleeve								
		QBH reducing	-	-	-	3/16	-	5/32	13
						1/4		5/32, 3/16	
						5/16		1/4	
						3/8		1/4, 5/16	
						1/2		3/8	
						Blanking plug			
		QBC-...H	-	-	-	5/32	-	-	14
						3/16			
						1/4			
						5/16			
3/8									
1/2									

Push-in fittings QB, NPT





Product range overview

Design	Version	Type	Connection D1				Connection D2		→ Page/ Internet
			UNF thread	NPT thread	Tubing O.D.	Push-in sleeve Ø	Tubing O.D.	Push-in sleeve Ø	
L-shape	Push-in L-fitting – Male thread with external hex								
		QBL	10-32	–	–	–	5/32, 3/16, 1/4	–	15
			–	1/8			5/32, 3/16, 1/4, 5/16, 3/8		
				1/4			5/32, 3/16, 1/4, 5/16, 3/8, 1/2		
				3/8			3/16, 1/4, 5/16, 3/8, 1/2		
				1/2			3/8, 1/2		
	Push-in L-fitting (long) – Male thread with external hex								
		QBL	–	1/8	–	–	5/32, 3/16, 1/4, 5/16	–	16
				1/4			5/32, 3/16, 1/4, 5/16, 3/8, 1/2		
				3/8			3/16, 1/4, 5/16, 3/8, 1/2		
			1/2			3/8, 1/2			
Push-in L-fitting – Female thread with external hex									
	QBLF	10-32	–	–	–	5/32, 1/4	–	17	
		–	1/8			5/32, 3/16, 1/4, 5/16			
			1/4			5/32, 3/16, 1/4, 5/16, 3/8			
			3/8			1/4, 5/16, 3/8, 1/2			
			1/2			3/8, 1/2			
Push-in L-fitting – Male thread with external hex									
	QBLV	10-32	–	–	–	1/8, 5/32, 3/16, 1/4	–	18	
		–	1/8			5/32, 3/16, 1/4, 5/16			
			1/4			5/32, 3/16, 1/4, 5/16, 3/8			
			3/8			3/16, 1/4, 5/16, 3/8, 1/2			
			1/2			5/16, 3/8, 1/2			
Push-in L-connector									
	QBL...T	–	–	5/32	–	–	–	19	
					3/16				
					1/4				
					5/16				
					3/8				
					1/2				

Push-in fittings QB, NPT


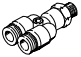


Product range overview



Design	Version	Type	Connection D1				Connection D2		→ Page/ Internet
			UNF thread	NPT thread	Tubing O.D.	Push-in sleeve Ø	Tubing O.D.	Push-in sleeve Ø	
T-shape	Push-in T-fitting – Male thread with external hex								
		QBT	10-32	–	–	–	5/32, 3/16, 1/4	–	20
			–	1/8			5/32, 3/16, 1/4, 5/16, 3/8		
				1/4			5/32, 3/16, 1/4, 5/16, 3/8, 1/2		
				3/8			3/16, 1/4, 5/16, 3/8, 1/2		
				1/2			3/8, 1/2		
	Push-in T-connector								
		QBT...T	–	–	5/32	–	–	–	21
						3/16			
						1/4			
					5/16				
					3/8				
				1/2					
	QBT...T reducing	–	–	1/4	–	5/32	–		
				5/16		1/4			
				3/8		1/4, 5/16			
				1/2		3/8			
Multiple distributor – 3 outlets									
	QBT3...T reducing	–	–	3/16, 1/4, 5/16	–	5/32	–	22	
					5/16		3/16		
					5/16, 3/8		1/4		
					3/8		5/16		
Push-in T-fitting – Male thread with external hex									
	QBTL	10-32	–	–	–	5/32, 3/16, 1/4	–	23	
			–	1/8			5/32, 3/16, 1/4, 5/16, 3/8		
				1/4			5/32, 3/16, 1/4 > 5/16, 3/8, 1/2		
				3/8			3/16, 1/4, 5/16, 3/8, 1/2		
				1/2			3/8, 1/2		

Push-in fittings QB, NPT

Product range overview

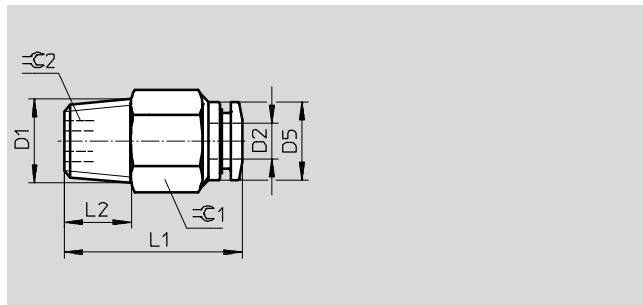
Design	Version	Type	Connection D1				Connection D2		→ Page/ Internet
			UNF thread	NPT thread	Tubing O.D.	Push-in sleeve Ø	Tubing O.D.	Push-in sleeve Ø	
X-shape	Push-in X-connector								
		QBX-...T	-	-	5/32	-	5/32	-	24
					3/16				
					1/4				
					5/16				
					3/8				
1/2									
Y-shape	Push-in Y-fitting – Male thread with external hex								
		QBY	10-32	-	-	-	5/32, 3/16, 1/4	-	25
				1/8					
				1/4					
				3/8					
				1/2					
				5/32, 3/16, 1/4, 5/16, 3/8					
	5/32, 3/16, 1/4, 5/16, 3/8, 1/2								
	3/16, 1/4, 5/16, 3/8, 1/2								
	5/16, 3/8, 1/2								
	Push-in Y-connector								
		QBY-...T	-	-	5/32	-	-	-	26
3/16									
1/4									
5/16									
3/8									
1/2									
	QBY-...T reducing	-	-	3/16	-	5/32	-	26	
				1/4					
				5/16					
				3/8					
				1/2					
				5/32, 3/16					
3/32, 1/4									
1/4, 5/16									
5/16, 3/8									

Push-in fittings QB, NPT

Technical data

Push-in fitting QB

Male thread
with external hex



Dimensions and ordering data											
Pneumatic connection		Nominal size	Dimensions [in]					Weight/ piece	Part No.	Type	PU ¹⁾
Male thread	For tubing O.D.		D5 \varnothing	L1	L2	$\varnothing C1$	$\varnothing C2$				
D1	D2	[in]						[oz]			
UNF thread											
UNF10-32	5/32	0.098	0.413	0.882	0.161	7/16	3/32	0.205	533267	QB-10-32-UNF-5/32-U	10
	3/16	0.098	0.433	0.890	0.161	7/16	3/32	0.275	533268	QB-10-32-UNF-3/16-U	10
	1/4	0.098	0.500	0.945	0.161	1/2	3/32	0.310	533269	QB-10-32-UNF-1/4-U	10
NPT thread											
NPT1/8-27	5/32	0.126	0.413	0.764	0.335	7/16	1/8	0.275	533271	QB-1/8-5/32-U	10
	3/16	0.126	0.433	0.909	0.335	7/16	1/8	0.522	533272	QB-1/8-3/16-U	10
	1/4	0.189	0.500	0.945	0.335	1/2	3/16	0.310	533273	QB-1/8-1/4-U	10
	5/16	0.189	0.551	1.126	0.335	9/16	3/16	0.448	533274	QB-1/8-5/16-U	10
	3/8	0.189	0.657	1.177	0.335	11/16	3/16	0.755	567773	QB-1/8-3/8-U	10
NPT1/4-18	5/32	0.126	0.413	0.862	0.413	9/16	1/8	0.522	567772	QB-1/4-5/32-U	10
	3/16	0.126	0.433	0.909	0.413	9/16	1/8	0.875	533275	QB-1/4-3/16-U	10
	1/4	0.189	0.500	0.921	0.413	9/16	3/16	0.452	533276	QB-1/4-1/4-U	10
	5/16	0.252	0.551	1.039	0.413	9/16	1/4	0.519	533277	QB-1/4-5/16-U	10
	3/8	0.252	0.657	1.217	0.413	11/16	1/4	0.896	533278	QB-1/4-3/8-U	10
NPT3/8-18	1/4	0.189	0.500	0.961	0.453	11/16	3/16	0.840	533279	QB-3/8-1/4-U	10
	5/16	0.252	0.551	0.961	0.453	11/16	1/4	0.765	533280	QB-3/8-5/16-U	10
	3/8	0.315	0.657	1.087	0.453	11/16	5/16	0.720	533281	QB-3/8-3/8-U	5
	1/2	0.374	0.819	1.252	0.453	7/8	3/8	1.273	533282	QB-3/8-1/2-U	5
NPT1/2-14	5/16	0.252	0.551	1.079	0.571	7/8	1/4	2.106	567770	QB-1/2-5/16-U	10
	3/8	0.315	0.657	1.106	0.571	7/8	5/16	1.778	533283	QB-1/2-3/8-U	5
	1/2	0.374	0.819	1.232	0.571	7/8	3/8	1.626	533284	QB-1/2-1/2-U	5

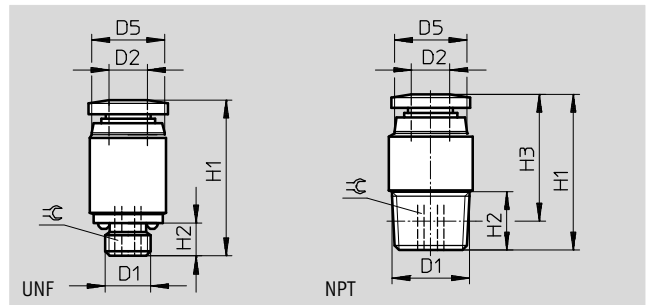
1) Packaging unit

Push-in fittings QB, NPT

Technical data

Push-in fitting QB-...-I

Male thread
with internal hex



Dimensions and ordering data											
Pneumatic connection		Nominal size [in]	Dimensions [in]					Weight/ piece [oz]	Part No.	Type	PU ¹⁾
Male thread	For tubing O.D.		D5 ∅	H1	H2	H3	⌀				
D1	D2	[in]									
UNF thread											
UNF10-32	3/16	0.094	0.433	0.898	0.161	-	3/32	0.205	572313	QB-10-32-UNF-3/16-I-U	10
	1/4	0.094	0.512	0.953	0.161	-	3/32	0.310	572316	QB-10-32-UNF-1/4-I-U	10
NPT thread											
NPT1/8-27	5/32	0.126	0.433	0.827	0.335	0.665	1/8	0.240	572317	QB-1/8-5/32-I-U	10
	3/16	0.126	0.472	0.898	0.335	0.736	1/8	0.240	572315	QB-1/8-3/16-I-U	10
	1/4	0.189	0.512	0.933	0.335	0.772	3/16	0.346	572318	QB-1/8-1/4-I-U	10
	5/16	0.189	0.551	1.130	0.335	0.969	3/16	0.519	572319	QB-1/8-5/16-I-U	10
NPT1/4-18	1/4	0.189	0.551	0.941	0.413	0.713	3/16	0.452	572320	QB-1/4-1/4-I-U	10
	5/16	0.252	0.551	1.043	0.413	0.815	1/4	0.624	572321	QB-1/4-5/16-I-U	10
	3/8	0.252	0.709	1.110	0.413	0.882	1/4	0.896	572322	QB-1/4-3/8-I-U	10
NPT3/8-18	5/16	0.252	0.709	0.984	0.453	0.744	1/4	0.801	572323	QB-3/8-5/16-I-U	10
	3/8	0.315	0.709	1.110	0.453	0.870	5/16	1.213	572324	QB-3/8-3/8-I-U	10
	1/2	0.378	0.827	1.295	0.453	1.055	3/8	1.203	572325	QB-3/8-1/2-I-U	10
NPT1/2-14	1/2	0.378	0.866	1.299	0.571	0.980	3/8	1.520	572326	QB-1/2-1/2-I-U	10

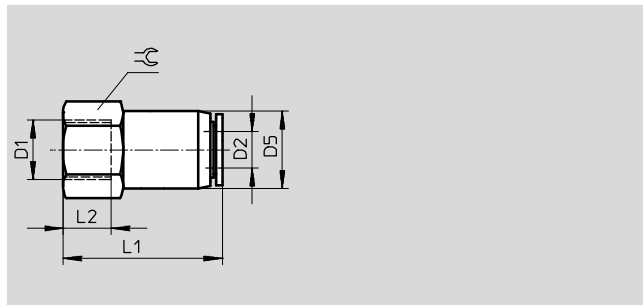
1) Packaging unit

Push-in fittings QB, NPT

Technical data



Push-in fitting QBF
Female thread
with external hex



Dimensions and ordering data										
Pneumatic connection		Nominal size [in]	Dimensions [in]				Weight/ piece [oz]	Part No.	Type	PU ¹⁾
Female thread D1	For tubing O.D. D2		D5 Ø	L1	L2	≈				
NPT1/8-27	5/32	0.138	0.394	1.063	0.374	9/16	0.557	564636	QBF-1/8-5/32-U	10
	3/16	0.157	0.437	1.106	0.374	9/16	0.557	564637	QBF-1/8-3/16-U	10
	1/4	0.197	0.512	1.134	0.374	9/16	0.663	564638	QBF-1/8-1/4-U	10
	5/16	0.236	0.551	1.157	0.374	9/16	0.660	564639	QBF-1/8-5/16-U	10
	3/8	0.315	0.657	1.299	0.374	11/16	1.037	564640	QBF-1/8-3/8-U	10
NPT1/4-18	5/32	0.138	0.394	1.161	0.453	11/16	0.698	564642	QBF-1/4-5/32-U	10
	3/16	0.157	0.437	1.185	0.453	11/16	0.698	564643	QBF-1/4-3/16-U	10
	1/4	0.197	0.512	1.213	0.453	11/16	0.840	564644	QBF-1/4-1/4-U	10
	5/16	0.236	0.551	1.256	0.453	11/16	0.907	564645	QBF-1/4-5/16-U	10
	3/8	0.315	0.657	1.299	0.453	11/16	0.931	564646	QBF-1/4-3/8-U	10
	1/2	0.394	0.819	1.472	0.453	7/8	1.873	564647	QBF-1/4-1/2-U	5
NPT3/8-18	1/4	0.197	0.512	1.291	0.492	7/8	1.404	564648	QBF-3/8-1/4-U	10
	5/16	0.236	0.551	1.276	0.492	7/8	1.365	567774	QBF-3/8-5/16-U	10
	3/8	0.315	0.657	1.339	0.492	7/8	1.390	564649	QBF-3/8-3/8-U	10
	1/2	0.394	0.819	1.472	0.492	7/8	1.591	564650	QBF-3/8-1/2-U	5
NPT1/2-14	5/16	0.236	0.551	1.354	0.571	15/16	1.612	564651	QBF-1/2-5/16-U	10
	3/8	0.315	0.657	1.441	0.571	15/16	1.460	564652	QBF-1/2-3/8-U	5

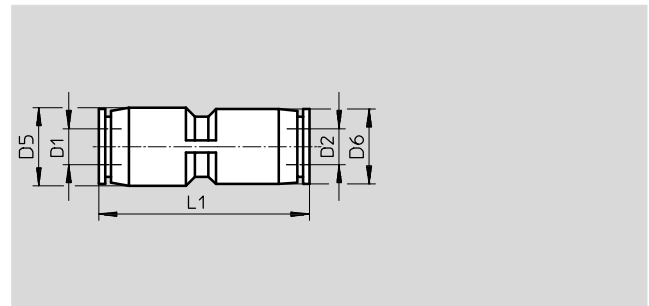
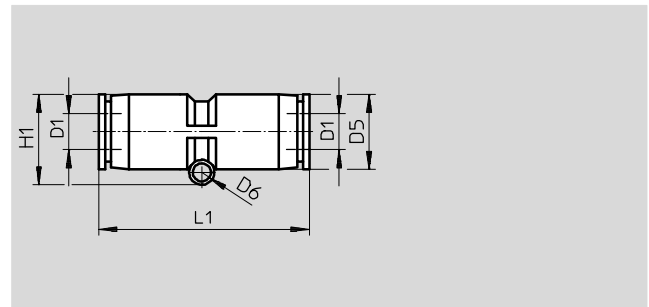
1) Packaging unit

Push-in fittings QB, NPT

Technical data



Push-in connector QB-...T



Reducing

Dimensions and ordering data										
Pneumatic connection		Nominal size [in]	Dimensions [in]				Weight/ piece [oz]	Part No.	Type	PU ¹⁾
For tubing O.D. D1	For tubing O.D. D2		D5 Ø	D6 Ø	H1	L1				
5/32	–	0.118	0.413	0.130	0.500	1.350	0.127	564754	QB-5/32T-U	10
3/16	–	0.138	0.453	0.138	0.594	1.409	0.120	564755	QB-3/16T-U	10
1/4	–	0.189	0.512	0.138	0.638	1.449	0.226	564756	QB-1/4T-U	10
5/16	–	0.256	0.571	0.169	0.693	1.579	0.296	564757	QB-5/16T-U	10
3/8	–	0.315	0.689	0.177	0.846	1.669	0.473	564758	QB-3/8T-U	10
1/2	–	0.354	0.827	0.177	0.965	1.925	0.670	564759	QB-1/2T-U	5
Reducing										
3/16	5/32	0.126	0.453	0.413	–	1.378	0.194	564797	QB-3/16T-5/32-U	10
1/4	5/32	0.126	0.512	0.413	–	1.398	0.194	564798	QB-1/4T-5/32-U	10
	3/16	0.150	0.512	0.453	–	1.429	0.190	564799	QB-1/4T-3/16-U	10
5/16	5/32	0.126	0.583	0.413	–	1.524	0.194	564800	QB-5/16T-5/32-U	10
	1/4	0.197	0.571	0.512	–	1.512	0.261	564801	QB-5/16T-1/4-U	10
3/8	1/4	0.197	0.689	0.512	–	1.563	0.279	564802	QB-3/8T-1/4-U	10
	5/16	0.276	0.689	0.571	–	1.626	0.384	564803	QB-3/8T-5/16-U	10
1/2	3/8	0.315	0.827	0.689	–	1.780	0.571	564804	QB-1/2T-3/8-U	5

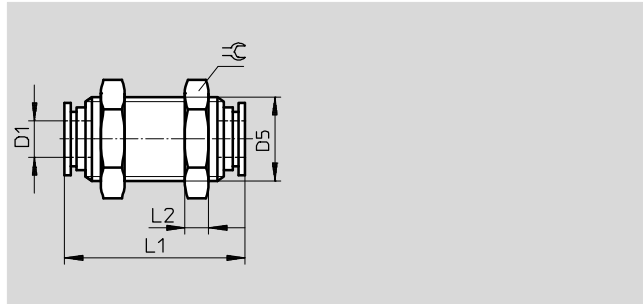
1) Packaging unit

Push-in fittings QB, NPT

Technical data

FESTO

Push-in bulkhead connector QBS-...T



Dimensions and ordering data									
Pneumatic connection	Nominal size	Dimensions [in]				Weight/ piece	Part No.	Type	PU ¹⁾
For tubing O.D.		D5 Ø	L1	L2	≈				
D1	[in]					[oz]			
5/32	0.118	M12x1	1.398	0.157	0.551	0.691	564748	QBS-5/32T-U	10
3/16	0.157	M14x1	1.441	0.157	0.669	0.691	564749	QBS-3/16T-U	10
1/4	0.197	M14x1	1.535	0.157	0.669	1.044	564750	QBS-1/4T-U	10
5/16	0.276	M16x1	1.661	0.197	0.748	1.284	564751	QBS-5/16T-U	10
3/8	0.315	M20x1	1.693	0.197	0.945	2.109	564752	QBS-3/8T-U	5
1/2	0.433	M22x1	1.949	0.197	1.024	2.935	564753	QBS-1/2T-U	5

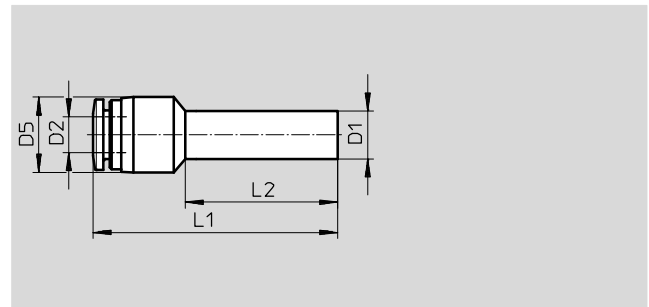
1) Packaging unit

Push-in fittings QB, NPT

Technical data

FESTO

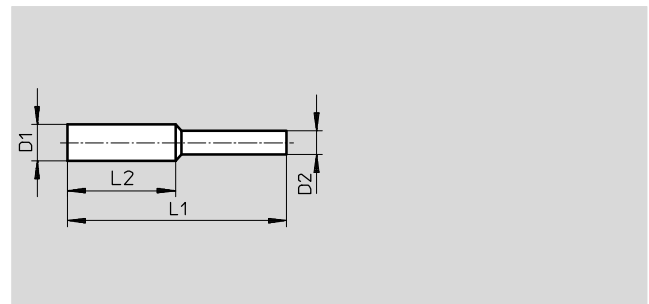
Push-in connector QB-...H with push-in sleeve



Dimensions and ordering data									
Pneumatic connection		Nominal size [in]	Dimensions [in]			Weight/ piece [oz]	Part No.	Type	PU ¹⁾
Push-in sleeve Ø D1	For tubing O.D. D2		D5 Ø	L1	L2				
1/8	1/4	0.051	0.512	1.488	0.728	0.095	564810	QB-1/8H-1/4-U	10
5/32	1/8	0.079	0.299	1.197	0.709	0.106	564811	QB-5/32H-1/8-U	10
	1/4	0.079	0.512	1.488	0.728	0.095	564812	QB-5/32H-1/4-U	10
1/4	1/8	0.098	0.299	1.260	0.850	0.141	564813	QB-1/4H-1/8-U	10
	5/32	0.134	0.413	1.587	0.890	0.134	564814	QB-1/4H-5/32-U	10
5/16	5/32	0.197	0.413	1.567	0.972	0.169	564815	QB-5/16H-5/32-U	10
	1/4	0.157	0.512	1.890	1.130	0.166	564816	QB-5/16H-1/4-U	10
3/8	1/4	0.220	0.512	1.890	1.228	0.166	564817	QB-3/8H-1/4-U	10
	5/16	0.256	0.583	1.772	0.957	0.201	567779	QB-3/8H-5/16-U	10
1/2	3/8	0.315	0.689	2.039	1.205	0.219	567780	QB-1/2H-3/8-U	10

1) Packaging unit

Push-in sleeve QBH



Reducing

Dimensions and ordering data									
Pneumatic connection		Nominal size [in]	Dimensions [in]		Weight/ piece [oz]	Part No.	Type	PU ¹⁾	
Push-in sleeve Ø D1	Push-in sleeve Ø D2		L1	L2					
Reducing									
3/16	5/32	0.079	1.575	0.787	0.035	567781	QBH-3/16-5/32-U	10	
1/4	5/32	0.079	1.614	0.827	0.035	567761	QBH-1/4-5/32-U	10	
	3/16	0.110	1.614	0.827	0.035	567782	QBH-1/4-3/16-U	10	
5/16	1/4	0.157	1.693	0.866	0.071	567783	QBH-5/16-1/4-U	10	
3/8	1/4	0.157	1.772	0.906	0.106	567762	QBH-3/8-1/4-U	10	
	5/16	0.197	1.772	0.906	0.106	567784	QBH-3/8-5/16-U	10	
1/2	3/8	0.256	1.890	0.984	0.141	567785	QBH-1/2-3/8-U	10	

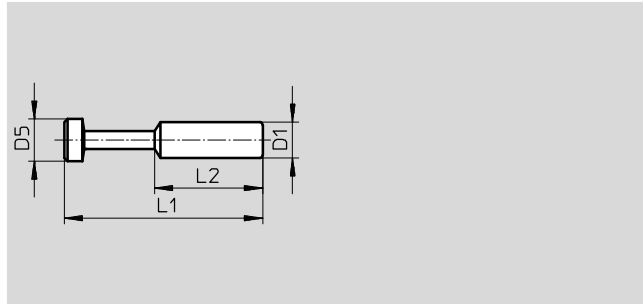
1) Packaging unit

Push-in fittings QB, NPT

Technical data

FESTO

Blanking plug QBC-...H



Dimensions and ordering data							
Pneumatic connection	Dimensions [in]			Weight/ piece	Part No.	Type	PU ¹⁾
Push-in sleeve \varnothing	D5 \varnothing	L1	L2				
D1				[oz]			
5/32	5/32	1.181	0.709	0.035	564784	QBC-5/32H-U	10
3/16	3/16	1.299	0.748	0.035	564785	QBC-3/16H-U	10
1/4	1/4	1.339	0.787	0.035	564786	QBC-1/4H-U	10
5/16	5/16	1.496	0.866	0.035	564787	QBC-5/16H-U	10
3/8	3/8	1.654	0.984	0.071	564788	QBC-3/8H-U	10
1/2	1/2	1.811	1.102	0.106	564789	QBC-1/2H-U	10

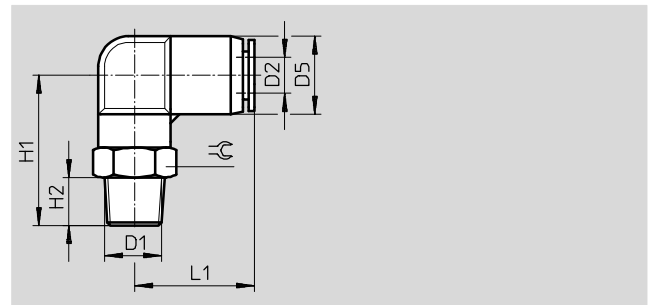
1) Packaging unit

Push-in fittings QB, NPT

Technical data

Push-in L-fitting QBL

Male thread
with external hex



Dimensions and ordering data											
Pneumatic connection		Nominal size [in]	Dimensions [in]					Weight/ piece [oz]	Part No.	Type	PU ¹⁾
Male thread	For tubing O.D.		D5 Ø	H1	H2	L1	⌀				
D1	D2										
UNF thread											
UNF10-32	5/32	0.098	0.413	0.841	0.142	0.722	7/16	0.275	533286	QBL-10-32-UNF-5/32-U	10
	3/16	0.118	0.453	0.841	0.142	0.726	7/16	0.272	533287	QBL-10-32-UNF-3/16-U	10
	1/4	0.098	0.512	1.020	0.142	0.787	1/2	0.413	533288	QBL-10-32-UNF-1/4-U	10
NPT thread											
NPT1/8-27	5/32	0.118	0.413	0.982	0.335	0.722	7/16	0.346	533290	QBL-1/8-5/32-U	10
	3/16	0.118	0.453	0.982	0.335	0.726	7/16	0.342	533291	QBL-1/8-3/16-U	10
	1/4	0.177	0.512	1.094	0.335	0.787	1/2	0.519	533292	QBL-1/8-1/4-U	10
	5/16	0.236	0.583	1.161	0.335	0.902	9/16	0.624	533293	QBL-1/8-5/16-U	10
	3/8	0.197	0.689	1.179	0.335	0.927	11/16	0.854	567777	QBL-1/8-3/8-U	10
NPT1/4-18	5/32	0.118	0.413	1.100	0.413	0.722	9/16	0.593	567776	QBL-1/4-5/32-U	10
	3/16	0.118	0.453	1.100	0.413	0.726	9/16	0.589	533294	QBL-1/4-3/16-U	10
	1/4	0.177	0.512	1.201	0.413	0.787	9/16	0.695	533295	QBL-1/4-1/4-U	10
	5/16	0.236	0.583	1.240	0.413	0.902	9/16	0.801	533296	QBL-1/4-5/16-U	10
	3/8	0.315	0.689	1.258	0.413	0.927	11/16	0.995	533297	QBL-1/4-3/8-U	5
NPT3/8-18	1/2	0.315	0.827	1.398	0.413	1.075	3/4	1.270	567775	QBL-1/4-1/2-U	5
	3/16	0.118	0.453	1.140	0.453	0.726	11/16	0.660	567763	QBL-3/8-3/16-U	10
	1/4	0.177	0.512	1.240	0.453	0.787	11/16	1.153	533298	QBL-3/8-1/4-U	5
	5/16	0.236	0.583	1.280	0.453	0.902	11/16	1.259	533299	QBL-3/8-5/16-U	5
	3/8	0.315	0.689	1.297	0.453	0.927	11/16	1.171	533300	QBL-3/8-3/8-U	5
NPT1/2-14	1/2	0.354	0.827	1.437	0.453	1.075	3/4	1.587	533301	QBL-3/8-1/2-U	5
	3/8	0.315	0.689	1.415	0.571	0.927	7/8	1.877	533302	QBL-1/2-3/8-U	5
	1/2	0.354	0.827	1.555	0.571	1.075	7/8	2.222	533303	QBL-1/2-1/2-U	5

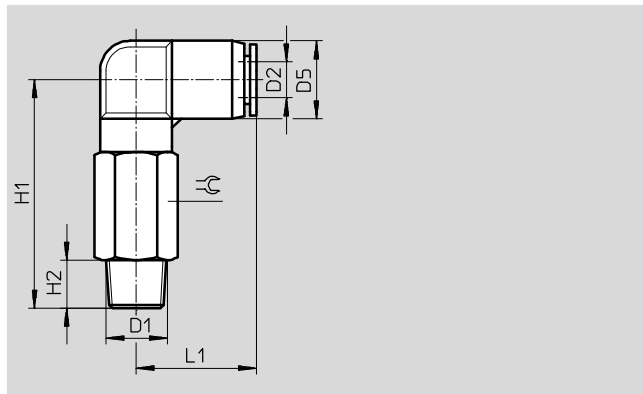
1) Packaging unit

Push-in fittings QB, NPT

Technical data

Push-in long L-fitting QBLL

Male thread
with external hex



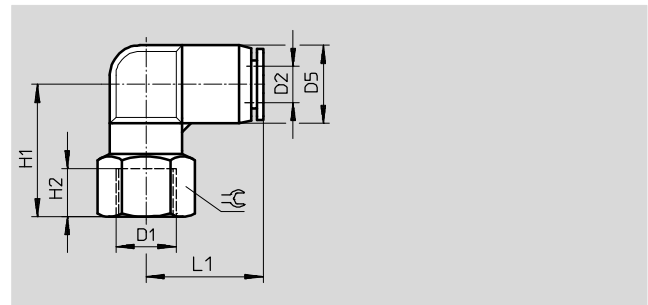
Dimensions and ordering data											
Pneumatic connection		Nominal size [in]	Dimensions [in]					Weight/ piece [oz]	Part No.	Type	PU ¹⁾
Male thread D1	For tubing O.D. D2		D5 Ø	H1	H2	L1	≈C				
NPT1/8-27	5/32	0.118	0.413	1.415	0.335	0.726	7/16	0.628	564668	QBLL-1/8-5/32-U	10
	3/16	0.118	0.453	1.415	0.335	0.726	7/16	0.624	564669	QBLL-1/8-3/16-U	10
	1/4	0.177	0.512	1.614	0.335	0.787	1/2	1.012	564670	QBLL-1/8-1/4-U	10
	5/16	0.236	0.583	1.751	0.335	0.894	9/16	1.259	564671	QBLL-1/8-5/16-U	10
NPT1/4-18	5/32	0.118	0.413	1.474	0.413	0.726	9/16	1.122	564672	QBLL-1/4-5/32-U	10
	3/16	0.118	0.453	1.474	0.413	0.726	9/16	1.118	564673	QBLL-1/4-3/16-U	10
	1/4	0.177	0.512	1.732	0.413	0.787	9/16	1.224	564674	QBLL-1/4-1/4-U	10
	5/16	0.236	0.583	1.831	0.413	0.894	9/16	1.400	564675	QBLL-1/4-5/16-U	10
	3/8	0.276	0.689	1.967	0.413	0.928	11/16	2.265	564676	QBLL-1/4-3/8-U	5
NPT3/8-18	1/2	0.315	0.827	2.263	0.413	1.075	3/4	3.139	564677	QBLL-1/4-1/2-U	5
	3/16	0.118	0.453	1.534	0.453	0.726	11/16	1.400	567766	QBLL-3/8-3/16-U	10
	1/4	0.177	0.512	1.772	0.453	0.787	11/16	1.753	564678	QBLL-3/8-1/4-U	10
	5/16	0.236	0.583	1.989	0.453	0.894	11/16	2.106	564679	QBLL-3/8-5/16-U	5
	3/8	0.276	0.689	2.006	0.453	0.928	11/16	2.441	564680	QBLL-3/8-3/8-U	5
NPT1/2-14	1/2	0.354	0.827	2.303	0.453	1.075	3/4	4.198	564681	QBLL-3/8-1/2-U	5
	3/8	0.276	0.689	2.125	0.571	0.928	7/8	3.499	564682	QBLL-1/2-3/8-U	5
	1/2	0.354	0.827	2.422	0.571	1.075	7/8	5.609	564683	QBLL-1/2-1/2-U	5

1) Packaging unit

Push-in fittings QB, NPT

Technical data

Push-in L-fitting QBLF
Female thread
with external hex



Dimensions and ordering data											
Pneumatic connection		Nominal size [in]	Dimensions [in]					Weight/ piece [oz]	Part No.	Type	PU ¹⁾
Female thread	For tubing O.D.		D5 ∅	H1	H2	L1	⌒				
D1	D2										
UNF thread											
UNF10-32	5/32	0.098	0.413	0.845	0.276	0.727	7/16	0.275	567765	QBLF-10-32-UNF-5/32-U	10
	1/4	0.118	0.512	0.827	0.197	0.787	1/2	0.413	567764	QBLF-10-32-UNF-1/4-U	10
NPT thread											
NPT1/8-27	5/32	0.098	0.413	0.885	0.354	0.727	9/16	0.557	564653	QBLF-1/8-5/32-U	10
	3/16	0.098	0.453	0.884	0.354	0.727	9/16	0.554	564654	QBLF-1/8-3/16-U	10
	1/4	0.157	0.512	0.984	0.354	0.787	9/16	0.730	564655	QBLF-1/8-1/4-U	10
	5/16	0.236	0.583	1.024	0.354	0.894	9/16	0.660	564656	QBLF-1/8-5/16-U	10
NPT1/4-18	5/32	0.098	0.413	0.885	0.433	0.727	11/16	0.698	564657	QBLF-1/4-5/32-U	10
	3/16	0.098	0.453	0.963	0.433	0.727	11/16	0.695	564658	QBLF-1/4-3/16-U	10
	1/4	0.157	0.512	1.083	0.433	0.787	11/16	0.801	564659	QBLF-1/4-1/4-U	10
	5/16	0.236	0.583	1.102	0.433	0.894	11/16	0.907	564660	QBLF-1/4-5/16-U	5
NPT3/8-18	3/8	0.276	0.689	1.121	0.433	0.928	11/16	1.136	564661	QBLF-1/4-3/8-U	5
	1/4	0.157	0.512	1.102	0.472	0.787	7/8	0.871	564662	QBLF-3/8-1/4-U	10
	5/16	0.236	0.583	1.141	0.472	0.894	7/8	1.012	564663	QBLF-3/8-5/16-U	5
	3/8	0.276	0.689	1.160	0.472	0.928	7/8	1.277	564664	QBLF-3/8-3/8-U	5
NPT1/2-14	1/2	0.354	0.827	1.300	0.472	1.075	7/8	2.011	564665	QBLF-3/8-1/2-U	5
	3/8	0.276	0.689	1.239	0.571	0.928	15/16	1.439	564666	QBLF-1/2-3/8-U	5
	1/2	0.354	0.827	1.378	0.571	1.075	15/16	2.646	564667	QBLF-1/2-1/2-U	5

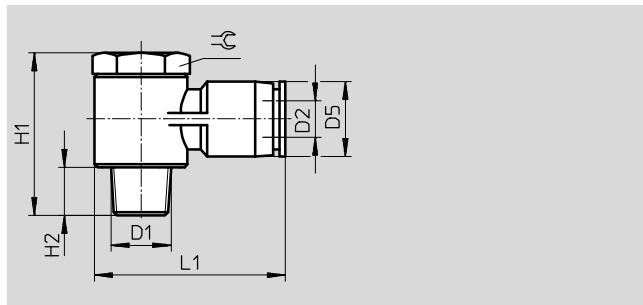
1) Packaging unit

Push-in fittings QB, NPT

Technical data

Push-in L-fitting QBLV

Male thread
with external hex



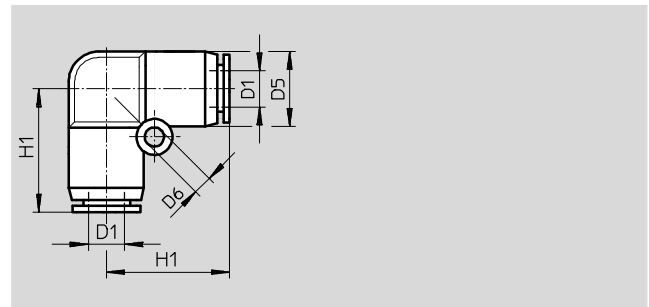
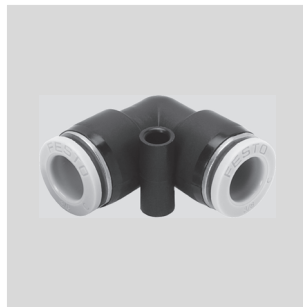
Dimensions and ordering data											
Pneumatic connection		Nominal size	Dimensions [in]					Weight/ piece	Part No.	Type	PU ¹⁾
Male thread	For tubing O.D.		D5 ∅	H1	H2	L1	⌀				
D1	D2	[in]						[oz]			
UNF thread											
UNF10-32	1/8	0.059	0.307	0.717	0.142	0.846	5/16	0.247	564727	QBLV-10-32-UNF-1/8-U	10
	5/32	0.059	0.413	0.717	0.142	1.039	5/16	0.275	564728	QBLV-10-32-UNF-5/32-U	10
	3/16	0.059	0.453	0.717	0.142	1.051	5/16	0.271	564729	QBLV-10-32-UNF-3/16-U	10
	1/4	0.059	0.512	0.717	0.142	1.130	5/16	0.307	564730	QBLV-10-32-UNF-1/4-U	10
NPT thread											
NPT1/8-27	5/32	0.118	0.413	0.984	0.295	1.209	7/16	0.840	564731	QBLV-1/8-5/32-U	10
	3/16	0.118	0.453	0.984	0.295	1.240	7/16	0.836	564732	QBLV-1/8-3/16-U	10
	1/4	0.118	0.512	0.984	0.295	1.260	7/16	0.836	564733	QBLV-1/8-1/4-U	10
	5/16	0.118	0.571	0.984	0.295	1.323	7/16	1.224	564734	QBLV-1/8-5/16-U	10
NPT1/4-18	5/32	0.126	0.413	1.134	0.394	1.362	5/16	1.051	564735	QBLV-1/4-5/32-U	10
	3/16	0.138	0.453	1.134	0.394	1.394	19/32	1.048	564736	QBLV-1/4-3/16-U	10
	1/4	0.177	0.512	1.134	0.394	1.413	19/32	1.259	564737	QBLV-1/4-1/4-U	10
	5/16	0.177	0.571	1.134	0.394	1.476	19/32	1.295	564738	QBLV-1/4-5/16-U	10
NPT3/8-18	3/16	0.138	0.453	1.327	0.476	1.539	3/4	1.330	564741	QBLV-3/8-3/16-U	10
	1/4	0.236	0.512	1.327	0.476	1.559	3/4	1.577	564740	QBLV-3/8-1/4-U	5
	5/16	0.236	0.571	1.327	0.476	1.606	3/4	2.106	564742	QBLV-3/8-5/16-U	5
	3/8	0.236	0.689	1.327	0.476	1.650	3/4	3.146	564743	QBLV-3/8-3/8-U	5
	1/2	0.236	0.819	1.327	0.476	1.780	3/4	2.293	564744	QBLV-3/8-1/2-U	5
NPT1/2-14	5/16	0.256	0.571	1.551	0.579	1.823	15/16	3.411	564745	QBLV-1/2-5/16-U	5
	3/8	0.276	0.689	1.551	0.579	1.858	15/16	3.499	564746	QBLV-1/2-3/8-U	5
	1/2	0.315	0.819	1.551	0.579	1.984	15/16	3.845	564747	QBLV-1/2-1/2-U	5

1) Packaging unit

Push-in fittings QB, NPT

Technical data

Push-in L-connector QBL-...T



Dimensions and ordering data								
Pneumatic connection	Nominal size	Dimensions [in]			Weight/ piece	Part No.	Type	PU ¹⁾
For tubing O.D.		D5 ∅	D6 ∅	H1				
D1	[in]				[oz]			
5/32	0.118	0.413	0.130	0.742	0.162	564760	QBL-5/32T-U	10
3/16	0.138	0.453	0.138	0.782	0.155	564761	QBL-3/16T-U	10
1/4	0.189	0.512	0.138	0.838	0.261	564762	QBL-1/4T-U	10
5/16	0.276	0.571	0.169	0.947	0.332	564763	QBL-5/16T-U	10
3/8	0.315	0.689	0.177	1.010	0.508	564764	QBL-3/8T-U	10
1/2	0.354	0.827	0.177	1.189	0.776	564765	QBL-1/2T-U	5

1) Packaging unit

Push-in fittings QB, NPT

Technical data

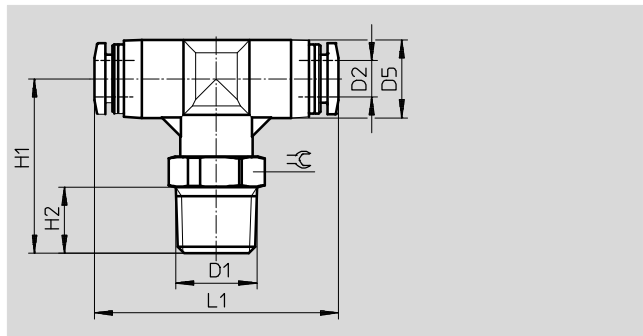


Push-in T-fitting QBT

Male thread
with external hex



NPT thread



Dimensions and ordering data											
Pneumatic connection		Nominal size	Dimensions [in]					Weight/ piece	Part No.	Type	PU ¹⁾
Male thread	For tubing O.D.		D5	H1	H2	L1	≈				
D1	D2	[in]	∅					[oz]			
UNF thread											
UNF10-32	5/32	0.098	0.413	0.841	0.142	1.469	7/16	0.339	533305	QBT-10-32-UNF-5/32-U	10
	3/16	0.118	0.453	0.841	0.142	1.512	7/16	0.332	533306	QBT-10-32-UNF-3/16-U	10
	1/4	0.098	0.512	1.020	0.142	1.614	1/2	0.508	533307	QBT-10-32-UNF-1/4-U	10
NPT thread											
NPT1/8-27	5/32	0.118	0.413	0.983	0.335	1.469	7/16	0.409	533309	QBT-1/8-5/32-U	10
	3/16	0.118	0.453	0.983	0.335	1.512	7/16	0.402	533310	QBT-1/8-3/16-U	10
	1/4	0.177	0.512	1.094	0.335	1.614	1/2	0.578	533311	QBT-1/8-1/4-U	10
	5/16	0.236	0.583	1.154	0.335	1.776	9/16	0.790	533312	QBT-1/8-5/16-U	5
	3/8	0.197	0.689	1.180	0.335	1.866	11/16	1.213	567767	QBT-1/8-3/8-U	5
NPT1/4-18	5/32	0.118	0.413	1.101	0.413	1.469	9/16	0.550	567778	QBT-1/4-5/32-U	10
	3/16	0.118	0.453	1.101	0.413	1.512	9/16	0.543	533313	QBT-1/4-3/16-U	10
	1/4	0.177	0.512	1.201	0.413	1.614	9/16	0.790	533314	QBT-1/4-1/4-U	5
	5/16	0.236	0.583	1.233	0.413	1.776	9/16	0.931	533315	QBT-1/4-5/16-U	5
	3/8	0.276	0.689	1.258	0.413	1.866	11/16	1.354	533316	QBT-1/4-3/8-U	5
NPT3/8-18	1/2	0.315	0.827	1.398	0.413	2.224	3/4	1.587	567768	QBT-1/4-1/2-U	5
	3/16	0.118	0.453	1.140	0.453	1.512	11/16	0.684	567769	QBT-3/8-3/16-U	10
	1/4	0.177	0.512	1.240	0.453	1.614	11/16	1.496	533317	QBT-3/8-1/4-U	5
	5/16	0.236	0.583	1.272	0.453	1.776	11/16	1.072	533318	QBT-3/8-5/16-U	5
	3/8	0.276	0.689	1.298	0.453	1.866	11/16	1.531	533319	QBT-3/8-3/8-U	5
NPT1/2-14	1/2	0.354	0.827	1.437	0.453	2.224	3/4	1.905	533320	QBT-3/8-1/2-U	1
	3/8	0.276	0.689	1.416	0.571	1.866	7/8	2.060	533321	QBT-1/2-3/8-U	5
	1/2	0.354	0.827	1.556	0.571	2.224	7/8	2.610	533322	QBT-1/2-1/2-U	1

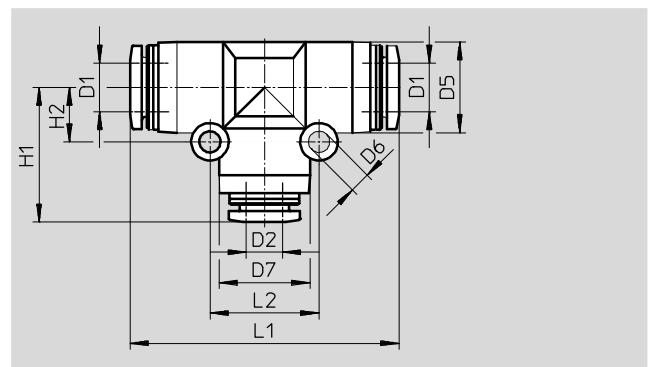
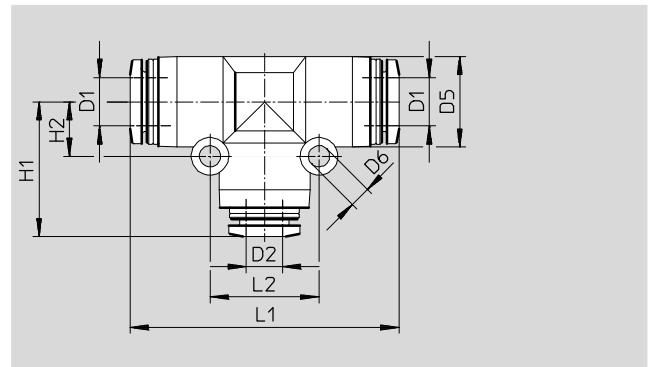
1) Packaging unit

Push-in fittings QB, NPT

Technical data



Push-in T-connector QBT-...T



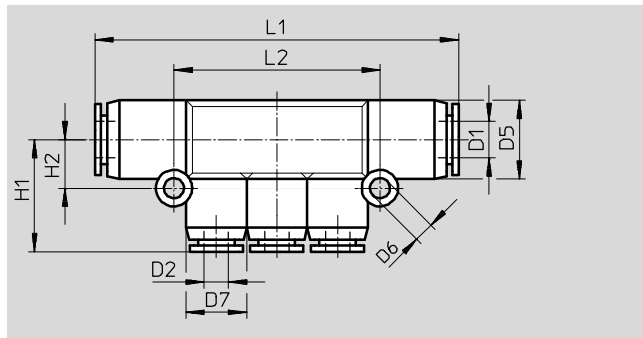
Dimensions and ordering data														
Pneumatic connection		Nominal size [in]	Dimensions [in]								Weight/ piece [oz]	Part No.	Type	PU ¹⁾
For tubing O.D. D1	For tubing O.D. D2		D5 Ø	D6 Ø	D7	H1	H2	L1	L2					
5/32	5/32	0.118	0.413	0.130	-	0.739	0.248	1.429	0.496	0.226	564766	QBT-5/32T-U	10	
3/16	3/16	0.138	0.453	0.138	-	0.782	0.295	1.567	0.591	0.215	564767	QBT-3/16T-U	10	
1/4	1/4	0.189	0.512	0.138	-	0.838	0.323	1.677	0.650	0.356	564768	QBT-1/4T-U	10	
5/16	5/16	0.256	0.571	0.169	-	0.935	0.350	1.795	0.701	0.462	564769	QBT-5/16T-U	10	
3/8	3/8	0.315	0.689	0.177	-	1.010	0.433	2.024	0.866	0.691	564770	QBT-3/8T-U	5	
1/2	1/2	0.354	0.827	0.177	-	1.189	0.500	2.382	1.004	1.093	564771	QBT-1/2T-U	5	
Reducing														
1/4	5/32	0.126	0.512	0.169	0.413	0.787	0.323	1.589	0.571	0.289	564805	QBT-1/4T-5/32-U	10	
5/16	1/4	0.197	0.583	0.177	0.512	0.890	0.382	1.815	0.689	0.392	564806	QBT-5/16T-1/4-U	10	
3/8	1/4	0.197	0.689	0.177	0.512	0.920	0.433	1.906	0.689	0.603	564807	QBT-3/8T-1/4-U	10	
	5/16	0.256	0.689	0.169	0.571	0.991	0.429	1.945	0.740	0.638	564808	QBT-3/8T-5/16-U	10	
1/2	3/8	0.315	0.827	0.177	0.689	1.032	0.500	2.303	0.866	0.889	564809	QBT-1/2T-3/8-U	5	

1) Packaging unit

Push-in fittings QB, NPT

Technical data

Multiple distributor QBT3-...T
3 outlets



Dimensions and ordering data													
Pneumatic connection		Nominal size [in]	Dimensions [in]							Weight/ piece [oz]	Part No.	Type	PU ¹⁾
For tubing O.D. D1	For tubing O.D. D2		D5 ∅	D6 ∅	D7 ∅	H1	H2	L1	L2				
3/16	5/32	0.126	0.453	0.177	0.413	0.809	0.315	2.386	1.417	0.850	567786	QBT3-3/16T-5/32-U	5
1/4	5/32	0.126	0.512	0.177	0.413	0.807	0.343	2.425	1.417	0.850	564791	QBT3-1/4T-5/32-U	5
5/16	5/32	0.126	0.571	0.169	0.413	0.821	0.358	2.614	1.370	1.732	564792	QBT3-5/16T-5/32-U	5
	3/16	0.157	0.571	0.177	0.453	0.853	0.382	2.705	1.535	1.721	564793	QBT3-5/16T-3/16-U	5
	1/4	0.197	0.571	0.177	0.512	0.892	0.382	2.862	1.713	1.721	564794	QBT3-5/16T-1/4-U	5
3/8	1/4	0.197	0.689	0.177	0.512	0.920	0.433	2.913	1.713	1.880	564795	QBT3-3/8T-1/4-U	5
	5/16	0.260	0.689	0.169	0.571	1.026	0.374	3.291	1.850	1.880	564796	QBT3-3/8T-5/16-U	5

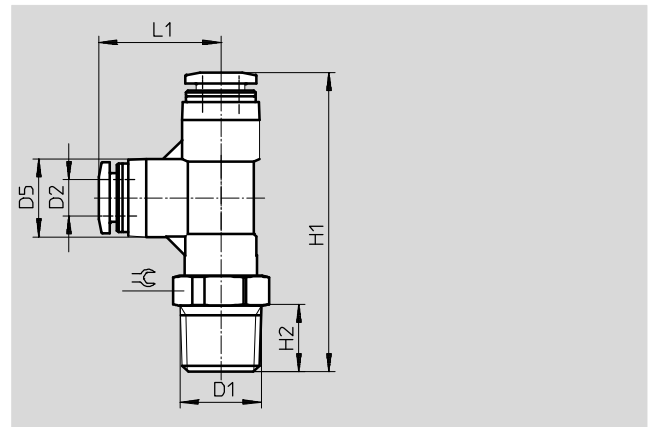
1) Packaging unit

Push-in fittings QB, NPT

Technical data

Push-in T-fitting QBTL

Male thread
with external hex



Dimensions and ordering data											
Pneumatic connection		Nominal size	Dimensions [in]					Weight/ piece	Part No.	Type	PU ¹⁾
Male thread	For tubing O.D.		D5	H1	H2	L1	≈C				
D1	D2	[in]	∅					[oz]			
UNF thread											
UNF10-32	5/32	0.098	0.417	1.654	0.142	0.772	7/16	0.339	564706	QBTL-10-32-UNF-5/32-U	10
	3/16	0.118	0.453	1.638	0.142	0.794	7/16	0.332	564707	QBTL-10-32-UNF-3/16-U	10
	1/4	0.098	0.512	1.866	0.142	0.846	1/2	0.508	564708	QBTL-10-32-UNF-1/4-U	10
NPT thread											
NPT1/8-27	5/32	0.118	0.417	1.831	0.335	0.772	7/16	0.409	564709	QBTL-1/8-5/32-U	10
	3/16	0.118	0.453	1.780	0.335	0.794	7/16	0.402	564710	QBTL-1/8-3/16-U	10
	1/4	0.177	0.512	1.941	0.335	0.846	1/2	0.578	564711	QBTL-1/8-1/4-U	10
	5/16	0.236	0.591	2.126	0.335	0.937	9/16	0.790	564712	QBTL-1/8-5/16-U	10
	3/8	0.197	0.689	2.252	0.335	1.010	11/16	1.213	564713	QBTL-1/8-3/8-U	5
NPT1/4-18	5/32	0.118	0.417	1.913	0.413	0.772	9/16	0.550	564714	QBTL-1/4-5/32-U	10
	3/16	0.118	0.453	1.898	0.413	0.794	9/16	0.543	564715	QBTL-1/4-3/16-U	10
	1/4	0.177	0.512	2.047	0.413	0.846	9/16	0.790	564716	QBTL-1/4-1/4-U	10
	5/16	0.236	0.591	2.205	0.413	0.937	9/16	0.931	564717	QBTL-1/4-5/16-U	10
	3/8	0.276	0.689	2.331	0.413	1.010	11/16	1.354	564718	QBTL-1/4-3/8-U	5
	1/2	0.315	0.827	2.587	0.413	1.189	3/4	1.587	564719	QBTL-1/4-1/2-U	5
NPT3/8-18	3/16	0.118	0.453	1.937	0.453	0.794	11/16	0.684	564721	QBTL-3/8-3/16-U	10
	1/4	0.177	0.512	2.087	0.453	0.846	11/16	1.496	564720	QBTL-3/8-1/4-U	10
	5/16	0.236	0.591	2.244	0.453	0.937	11/16	1.072	564722	QBTL-3/8-5/16-U	10
	3/8	0.276	0.689	2.370	0.453	1.010	11/16	1.531	564723	QBTL-3/8-3/8-U	5
	1/2	0.394	0.827	2.626	0.453	1.189	3/4	1.905	564724	QBTL-3/8-1/2-U	5
NPT1/2-14	3/8	0.276	0.689	2.480	0.571	1.010	7/8	2.060	564725	QBTL-1/2-3/8-U	5
	1/2	0.394	0.827	2.744	0.571	1.189	7/8	2.610	564726	QBTL-1/2-1/2-U	5

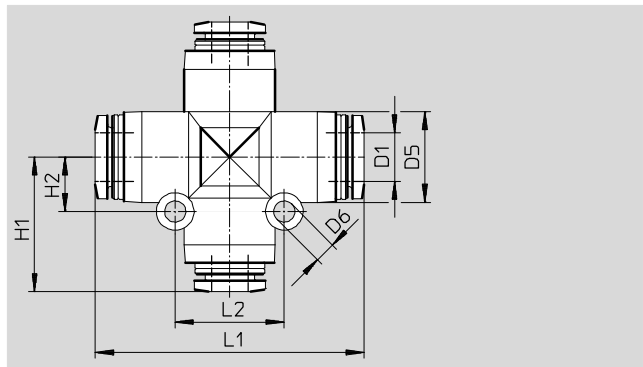
1) Packaging unit

Push-in fittings QB, NPT

Technical data

FESTO

Push-in X-connector QBX-...T



Dimensions and ordering data										
Pneumatic connection	Nominal size	Dimensions [in]					Weight/ piece	Part No.	Type	PU ¹⁾
For tubing O.D.		D5 ∅	D6 ∅	H1	L1	L2				
D1	[in]						[oz]			
5/32	0.102	0.413	0.130	0.707	1.413	0.500	0.289	564778	QBX-5/32T-U	10
3/16	0.138	0.453	0.138	0.782	1.567	0.591	0.275	564779	QBX-3/16T-U	10
1/4	0.197	0.512	0.130	0.838	1.677	0.642	0.381	564780	QBX-1/4T-U	10
5/16	0.236	0.571	0.165	0.896	1.795	0.717	0.557	564781	QBX-5/16T-U	5
3/8	0.276	0.689	0.169	0.951	1.906	0.799	0.945	564782	QBX-3/8T-U	5
1/2	0.354	0.827	0.169	1.189	2.382	0.996	1.305	564783	QBX-1/2T-U	5

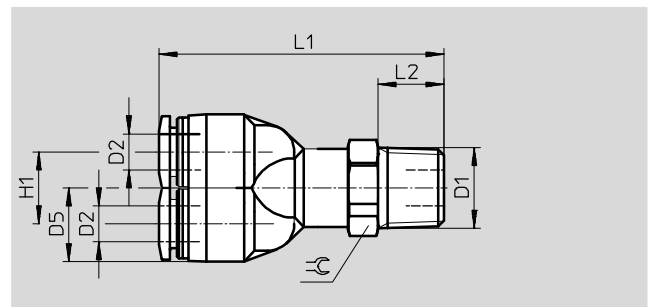
1) Packaging unit

Push-in fittings QB, NPT

Technical data

Push-in Y-fitting, QBY

Male thread
with external hex



Dimensions and ordering data											
Pneumatic connection		Nominal size [in]	Dimensions [in]					Weight/ piece [oz]	Part No.	Type	PU ¹⁾
Male thread	For tubing O.D.		D5 ∅	H1	L1	L2	⌀				
D1	D2	[in]									
UNF thread											
UNF10-32	5/32	0.098	0.413	0.413	1.591	0.142	7/16	0.374	564684	QBY-10-32-UNF-5/32-U	10
	3/16	0.118	0.453	0.453	1.650	0.142	7/16	0.367	564685	QBY-10-32-UNF-3/16-U	10
	1/4	0.098	0.512	0.512	1.803	0.142	1/2	0.543	564686	QBY-10-32-UNF-1/4-U	10
NPT thread											
NPT1/8-27	5/32	0.118	0.413	0.413	1.732	0.335	7/16	0.409	564687	QBY-1/8-5/32-U	10
	3/16	0.118	0.453	0.453	1.791	0.335	7/16	0.402	564688	QBY-1/8-3/16-U	10
	1/4	0.177	0.512	0.512	1.878	0.335	1/2	0.649	564689	QBY-1/8-1/4-U	10
	5/16	0.236	0.571	0.571	1.941	0.335	9/16	0.684	564690	QBY-1/8-5/16-U	10
	3/8	0.197	0.693	0.693	2.071	0.335	11/16	0.988	564691	QBY-1/8-3/8-U	5
NPT1/4-18	5/32	0.118	0.413	0.413	1.850	0.413	9/16	0.621	564692	QBY-1/4-5/32-U	10
	3/16	0.118	0.453	0.453	1.909	0.413	9/16	0.614	564693	QBY-1/4-3/16-U	10
	1/4	0.177	0.512	0.512	1.984	0.413	9/16	0.684	564694	QBY-1/4-1/4-U	10
	5/16	0.236	0.571	0.571	2.020	0.413	9/16	1.002	564695	QBY-1/4-5/16-U	10
	3/8	0.276	0.693	0.693	2.150	0.413	11/16	1.284	564696	QBY-1/4-3/8-U	5
NPT3/8-18	1/2	0.276	0.827	0.827	2.539	0.413	3/4	2.046	564697	QBY-1/4-1/2-U	5
	3/16	0.118	0.453	0.453	1.949	0.453	11/16	0.684	564699	QBY-3/8-3/16-U	10
	1/4	0.177	0.512	0.512	2.024	0.453	11/16	1.108	564698	QBY-3/8-1/4-U	10
	5/16	0.236	0.571	0.571	2.059	0.453	11/16	1.037	564700	QBY-3/8-5/16-U	10
	3/8	0.276	0.693	0.693	2.189	0.453	11/16	1.355	564701	QBY-3/8-3/8-U	5
NPT1/2-14	1/2	0.276	0.827	0.827	2.579	0.453	3/4	2.399	564702	QBY-3/8-1/2-U	5
	5/16	0.236	0.571	0.571	2.177	0.571	7/8	1.743	564703	QBY-1/2-5/16-U	5
	3/8	0.276	0.693	0.693	2.307	0.571	7/8	2.060	564704	QBY-1/2-3/8-U	5
	1/2	0.276	0.827	0.827	2.697	0.571	7/8	2.751	564705	QBY-1/2-1/2-U	5

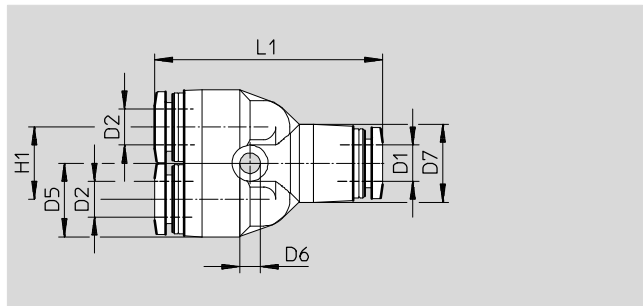
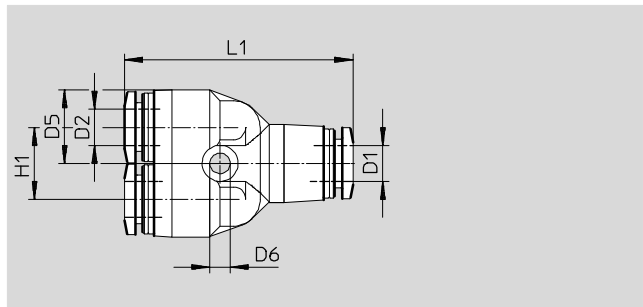
1) Packaging unit

Push-in fittings QB, NPT

Technical data



Push-in Y-connector QBY-...T



Reducing

Dimensions and ordering data											
Pneumatic connection		Nominal size [in]	Dimensions [in]					Weight/ piece [oz]	Part No.	Type	PU ¹⁾
For tubing O.D. D1	For tubing O.D. D2		D5 Ø	D6 Ø	D7 Ø	H1	L1				
5/32	5/32	0.098	0.413	0.130	–	0.413	1.429	0.261	564772	QBY-5/32T-U	10
3/16	3/16	0.118	0.453	0.130	–	0.453	1.472	0.250	564773	QBY-3/16T-U	10
1/4	1/4	0.157	0.512	0.130	–	0.512	1.567	0.321	564774	QBY-1/4T-U	10
5/16	5/16	0.268	0.575	0.169	–	0.575	1.736	0.462	564775	QBY-5/16T-U	10
3/8	3/8	0.315	0.689	0.177	–	0.689	1.846	0.691	564776	QBY-3/8T-U	5
1/2	1/2	0.406	0.827	0.177	–	0.827	2.146	1.023	564777	QBY-1/2T-U	5
Reducing											
3/16	5/32	0.130	0.413	0.130	0.453	0.413	1.457	0.293	564818	QBY-3/16T-5/32-U	10
1/4	5/32	0.130	0.413	0.130	0.512	0.413	1.496	0.293	564819	QBY-1/4T-5/32-U	10
	3/16	0.157	0.453	0.130	0.512	0.453	1.528	0.286	564820	QBY-1/4T-3/16-U	10
5/16	5/32	0.146	0.413	0.130	0.583	0.413	1.563	0.328	564821	QBY-5/16T-5/32-U	10
	1/4	0.197	0.512	0.130	0.583	0.512	1.669	0.427	564822	QBY-5/16T-1/4-U	10
3/8	1/4	0.197	0.512	0.130	0.689	0.512	1.697	0.515	564823	QBY-3/8T-1/4-U	10
	5/16	0.276	0.575	0.169	0.689	0.575	1.764	0.586	564824	QBY-3/8T-5/16-U	10
1/2	5/16	0.252	0.583	0.130	0.827	0.575	1.890	0.649	564826	QBY-1/2T-5/16-U	5
	3/8	0.276	0.689	0.177	0.827	0.689	1.996	0.924	564825	QBY-1/2T-3/8-U	5

1) Packaging unit

Festo - Your Partner in Automation



1 Festo Inc.
5300 Explorer Drive
Mississauga, ON L4W 5G4
Canada

Festo Customer Interaction Center
Tel: 1 877 463 3786
Fax: 1 877 393 3786
Email: customer.service.ca@festo.com

2 Festo Pneumatic
Av. Ceylán 3,
Col. Tequesquináhuac
54020 Tlalnepantla,
Estado de México

Multinational Contact Center
01 800 337 8669
ventas.mexico@festo.com

3 Festo Corporation
1377 Motor Parkway
Suite 310
Islandia, NY 11749

Festo Customer Interaction Center
1 800 993 3786
1 800 963 3786
customer.service.us@festo.com

4 Regional Service Center
7777 Columbia Road
Mason, OH 45040

Connect with us



www.festo.com/socialmedia



www.festo.com

Subject to change