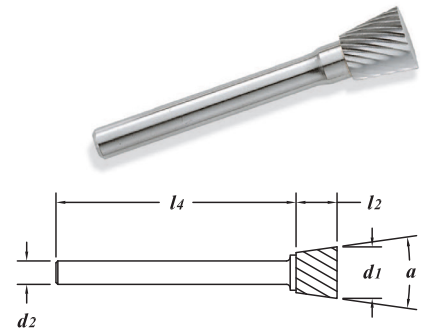


Carbide Rotary Files - Inverted Cone Shape

Submicron Grain Carbide

D - Double Cut

* - Solid Carbide



EDP#	TOOL #	$d1$ †		$d2$ Shank Diameter	a Included Angle	$l2$ Flute Length	$l4$ Shank Length	1-11	12-24	25-49	50-100	
		Decimal	Diameter									Metric
71010	* SN-1	.2500	1/4"	6.350	1/4"	10°	5/16"	2"	11.56	11.06	10.55	10.05
71012	* SN-1D	.2500	1/4"	6.350	1/4"	10°	5/16"	2"	11.56	11.06	10.55	10.05
71020	SN-2	.3750	3/8"	9.525	1/4"	13°	3/8"	1-3/4"	14.42	13.79	13.17	12.54
71022	SN-2D	.3750	3/8"	9.525	1/4"	13°	3/8"	1-3/4"	14.42	13.79	13.17	12.54
71030	SN-3	.5000	1/2"	12.700	1/4"	16°	1/2"	1-3/4"	19.90	19.03	18.17	17.30
71032	SN-3D	.5000	1/2"	12.700	1/4"	16°	1/2"	1-3/4"	19.90	19.03	18.17	17.30

