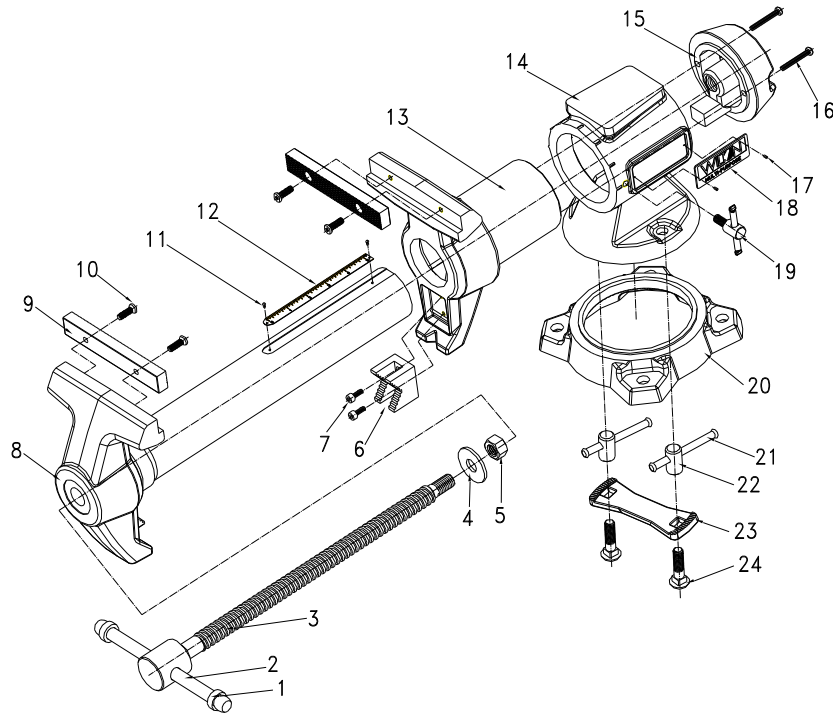




Multi-Purpose Vise Series

Models 450P/550P/650P



Replacement parts

		Stock no.	28844	28824	28845
		Model no.	450P	550P	650P
ITEM	DESCRIPTION	QTY.	PART NO.		
1~3	Spindle and Handle Assembly, Complete	1	28844-001	28824-001	28845-001
1	Rubber Ring	2	---	---	---
2	Tommy Bar	1	---	---	---
3	Spindle	1	---	---	---
4	Spindle End Washer	1	DT75-08	DT125B-09	DT93125-07
5	Nylon Lock Hex Nut	1	TS-2342101	TS-2342141	TS-2342161
6	Stationary Pipe Jaw	1	DT75-09	550P-08	DT93125-09
7	Socket Head Cap Screw	2	TS-1502051	TS-1502021	F005669
8	Moving Body	1	---	---	---
9/10	Jaw Inserts (Set of 2) with Screws	1	28844-009	28824-009	28845-009
11	Scale Rivet	2	---	---	---
12	Scale	1	450P-06	DT93125-06	650P-06
13	Standing Body	1	---	---	---
14	Stationary Body	1	---	---	---
15	End Cap Nut	1	450P-05	550P-05	650P-05
16	End Cap Nut Screw	2	GB/T8522-2000	GB822-76	GB822-76
17	Plate Rivet	4	---	---	---
18	Wilton Logo Plate	2	450P-07	550P-10	550P-10
19	Lockdown Handle with Screw	1	450P-10	28824-019	650P-10
20	Base Plate	1	450P-09	550P-07	650P-08
20~24	Base Plate Assembly, Complete	1	28844-020	28824-020	28845-020
23	Locking Pad	1	450P-08	550P-06	650P-07
21/22/24	Locking Nut Assembly (set of 2)	1	28844-021	28824-021	28845-021

WILTON

427 New Sanford Road
 LaVergne, Tennessee 37086
 Ph.: 800-274-6848
 www.wiltontools.com

Document No. M-28824
 Edition 3 10/2020
 Copyright © 2018 WILTON

To order parts or reach our service department, call 1-800-274-6848 Monday through Friday, 8:00 a.m. to 5:00 p.m. CST. Having the Model Number and Serial Number of your tool available when you call will allow us to serve you quickly and accurately. Some parts are shown for reference only, and may not be available individually.



IMPORTANT SAFETY INSTRUCTIONS

- Misuse of vise can cause serious injury to eyes, hands, limbs, etc.
- To ensure safety, vise must be set up and used properly.
- Before setting up and using, read, understand, and follow all instructions as outlined below.
- **⚠ WARNING:** This product can expose you to chemicals including lead which is known to the State of California to cause cancer and birth defects or other reproductive harm. For more information go to <http://www.p65warnings.ca.gov>.

When setting up vise:

- Use proper size bolts, nuts, lock and flat washers, in all base mounting Holes. Never weld base of vise to any metal object.
- Only hand-tighten swivel base lock down nuts at the sides of the vise.
- Never use a pipe extension to tighten lock nut handles; this can cause the handles to bend and overstress the lock down bolts.
- Make sure the bench top to which the vise is mounted is properly secured.

When using vise:

- Always use vise of proper size and capacity to hold work object.
- Never use a hammer, pipe extension or cheater bar on spindle handle of vise.
- Never unscrew moveable jaw beyond the maximum specified opening of the vise.
- Never use vise as a press for assembly or disassembly of objects.
- Always wear eye and face protection when striking vise-held objects or when using power tools with a vise.
- NOTE: The spindle handle (“tommy bar”) has been engineered to bend if excessive clamping pressure is applied, to prevent potential damage to vise.

Specifications

Stock no.	28844	28824	28845
Model no.	450P	550P	650P
Jaw width	4-1/2 in. (114.3 mm)	5-1/2 in. (139.7 mm)	6-1/2 in. (165 mm)
Maximum opening	4 in. (101.6 mm)	5 in. (127 mm)	6 in. (152.4 mm)
Throat depth	2-1/4 in. (57.2 mm)	2-3/4 in. (69.9 mm)	3-1/4 in. (82.5 mm)
Pipe jaw capacity	1/4 to 1-11/16 in. (6.35 to 42.9 mm)	5/8 to 2-1/4 in. (15.9 to 57.2 mm)	5/8 to 3 in. (15.8 to 76.2 mm)
Net weight	21.3 lb (9.7 kg)	40 lb (18.1 kg)	58.4 lb (26.5 kg)



The Wilton® lifetime warranty is for the product’s lifetime with no end date. This warranty covers manufacturer’s defect only and does not cover failures due directly or indirectly to misuse, abuse, negligence or accidents, normal wear-and-tear, improper repair, alterations or lack of maintenance. For more information, please visit wiltontools.com.

How to Get Technical Support

Please contact Technical Service by calling 1-800-274-6846. **Please note that you will be asked to provide proof of initial purchase when calling.** If a product requires further inspection, the Technical Service representative will explain and assist with any additional action needed. Wilton has Authorized Service Centers located throughout the United States. For the name of an Authorized Service Center in your area call 1-800-274-6846 or use the Service Center Locator on the Wilton website.

Wilton sells through distributors only. The specifications listed in Wilton printed materials and on official Wilton branded website are given as general information and are not binding. Wilton reserves the right to effect at any time, without prior notice, those alterations to parts, fittings, and accessory equipment which they may deem necessary for any reason whatsoever.

NOTE: Wilton is a division of JPW Industries, Inc. References in this document to Wilton also apply to JPW Industries, Inc., or any of its successors in interest to the Wilton brand.