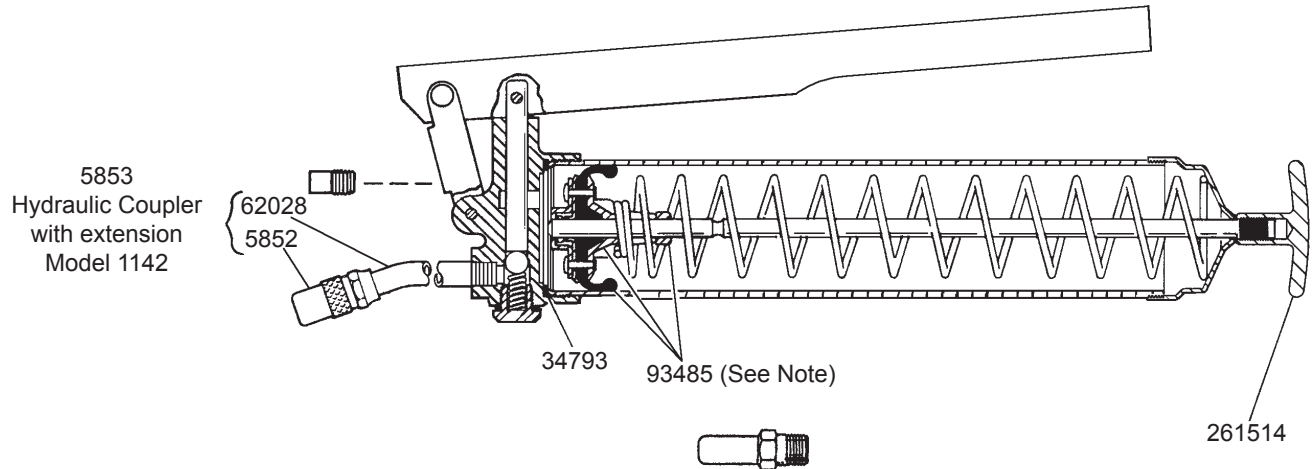


Bulk Capacity - 16 oz. (473 cubic cm.)
Cartridge Capacity - 14 1/2 oz. (429 cubic cm.)

NOTE
ILLUSTRATION SHOWS FOLLOWER SEAL LIP POSITIONED FOR CARTRIDGE USE.



*OPTIONAL 91108 FILLER NIPPLE
(Must be ordered separately)

SERVICE PARTS

Part	Description	Part	Description
5852	Hydraulic Coupler	62028	Nozzle Extension
261514	Follower Handle	93485	Follower Assembly
34793	Container Packing		

⚠ WARNING

Extreme pressure may cause nozzle extension or whip hose to burst. Use only LINCOLN APPROVED hoses and follow whip hose instructions and warnings.

⚠ WARNING

Grease gun can develop high pressure up to 7,000 P.S.I. (483 BAR). Use safety glasses and gloves for protection during operation. Keep hands clear of the extension during operation of the grease gun.

OPERATING INSTRUCTIONS

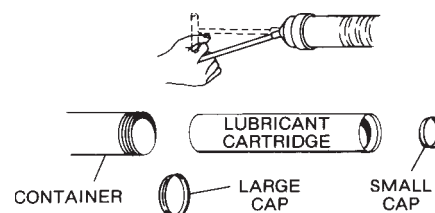
Fill the lubricant container. Refer to reverse page for instructions.

Wipe fittings clean before lubricating. Push coupler onto fitting at slight angle and then center coupler on the fitting. Operate lever gun handle to lubricate taking care not to damage seals by excessive pressure or lubricant volume. After lubricating turn coupler at a slight angle to release grip of the coupler jaws.

TO INSTALL A LUBRICANT CARTRIDGE

- 1) Remove head and plunger assembly from container tube.
- 2) To remove an empty cartridge pull back on the follower handle until the follower rod is fully extended. Then carefully release the follower handle to eject the empty cartridge from the container tube. Pull back on the follower handle. When the follower rod is fully extended pull it sideways to latch the rod groove into the keyhole slot in the container cap.

- 3) Remove the caps from both ends of the cartridge and insert the large open end of the cartridge into the container tube.
- 4) Loosely assemble the head and plunger assembly to the container tube. Extend the lever gun handle away from the container tube and disengage the follower rod from the container cap. Engage the follower rod with the follower by rotating the follower handle. Exert force on the follower handle until lubricant oozes from the tube and head interface. Tighten container tube into the head and plunger assembly.
- 5) Disengage the follower rod from the follower by rotating the follower handle. Push the follower rod into the container.

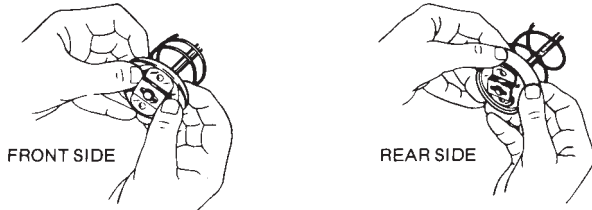


TO CONVERT LEVER GUN TO ALLOW FILLING FROM BULK CONTAINER OR FILLER PUMP

- 1) Unscrew the container cap from the container tube. Pull on the follower handle to extract the follower and spring from the container tube.
- 2) Grasp follower between thumb and forefinger and flip the follower lip from the rear to the front side.

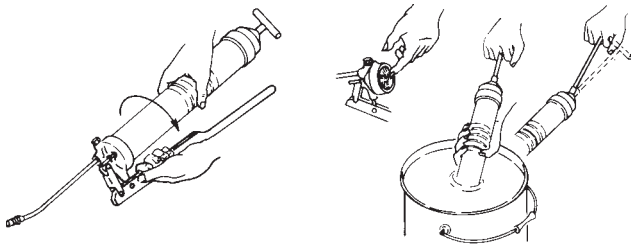
NOTE: The follower resembles a cup. When the lever gun is assembled for use with bulk lubricant the cup opens toward the head assembly.

- 3) Reassemble follower into container tube and position with the follower handle so that the container cap can be tightened onto the container tube.



TO FILL LEVER GUN FROM BULK LUBRICANT CONTAINER

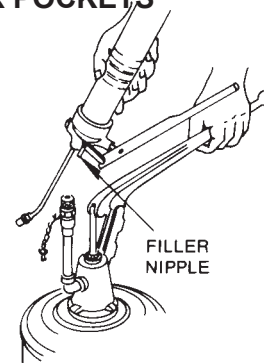
- 1) Remove head and plunger assembly from container tube.
- 2) Pack lubricant into cavity of the head and plunger assembly.
- 3) Insert the open end of the container tube into lubricant. Slowly pull the follower handle back while pushing the container tube deeper into the lubricant to prevent air pockets from being pulled into the container tube.
- 4) When the follower rod is fully extended pull it sideways to latch the rod groove into the keyhole slot in the container cap.
- 5) Loosely assemble the head and plunger assembly to the filled container tube. Release the follower rod from the container cap and disengage the follower rod from the follower by rotating the follower handle. Push the follower rod into the container. Slowly unscrew the container tube from the head and plunger assembly until lubricant oozes from the interface. Tighten container tube into the head and plunger assembly.



TO FILL LEVER GUN WITH A FILLER PUMP

Engage the follower rod with the follower by rotating the follower handle. Insert the lever gun filler nipple into the filler pump socket and extend the lever gun handle away from the container tube. Operate the filler pump to fill the lever gun container. When the follower rod groove is exposed the container is filled (follower rod will be extended approximately 8 inches). Disengage the follower rod from the follower by rotating the follower handle. Push the follower rod into the container.

TO EXPEL AIR POCKETS



- 1) Unscrew the container tube 1 1/2 turns from the head and plunger assembly.
- 2) Withdraw the follower rod from the container cap and engage it with the follower by rotating the follower handle. Exert force on the follower handle until lubricant oozes from the tube and head interface.
- 3) Tighten container tube into the head and plunger assembly. Disengage the follower rod from the follower by rotating the follower handle. Push the follower rod into the container.

WARNING

Air pockets in the cartridge lubricant will cause the lever gun to lose its prime.

Americas:
One Lincoln Way
St. Louis, MO 63120-1578
USA
Phone +1.314.679.4200
Fax +1.800.424.5359

Printed in China and India

Web site:
www.lincolnindustrial.com