



Catalog Number See Table
UPC Number See table
Description Split Bolt Connector - Copper

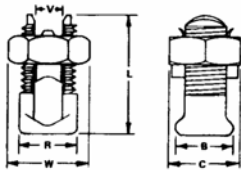


Features

- Manufactured from High Strength High Conductivity Electrolytic Copper Bronze Nut
- Copper and Copperweld stranded wire
- Free running thread, Easy Grip Hex Nut
- Ribbed separator for excellent pullout force resistance
- Secure connection for all wire combinations in range

General

Wire Range: #8 Str thru 750 MCM
Material: High conductivity electrolytic copper
Nut Material: Bronze
Wire Combinations: See Table



Dimensional Information

See Table

Specifications

Temperature Rating: N/A
Voltage Rating: 600
Flammability Rating: N/A
Amp Rating: To Conductor

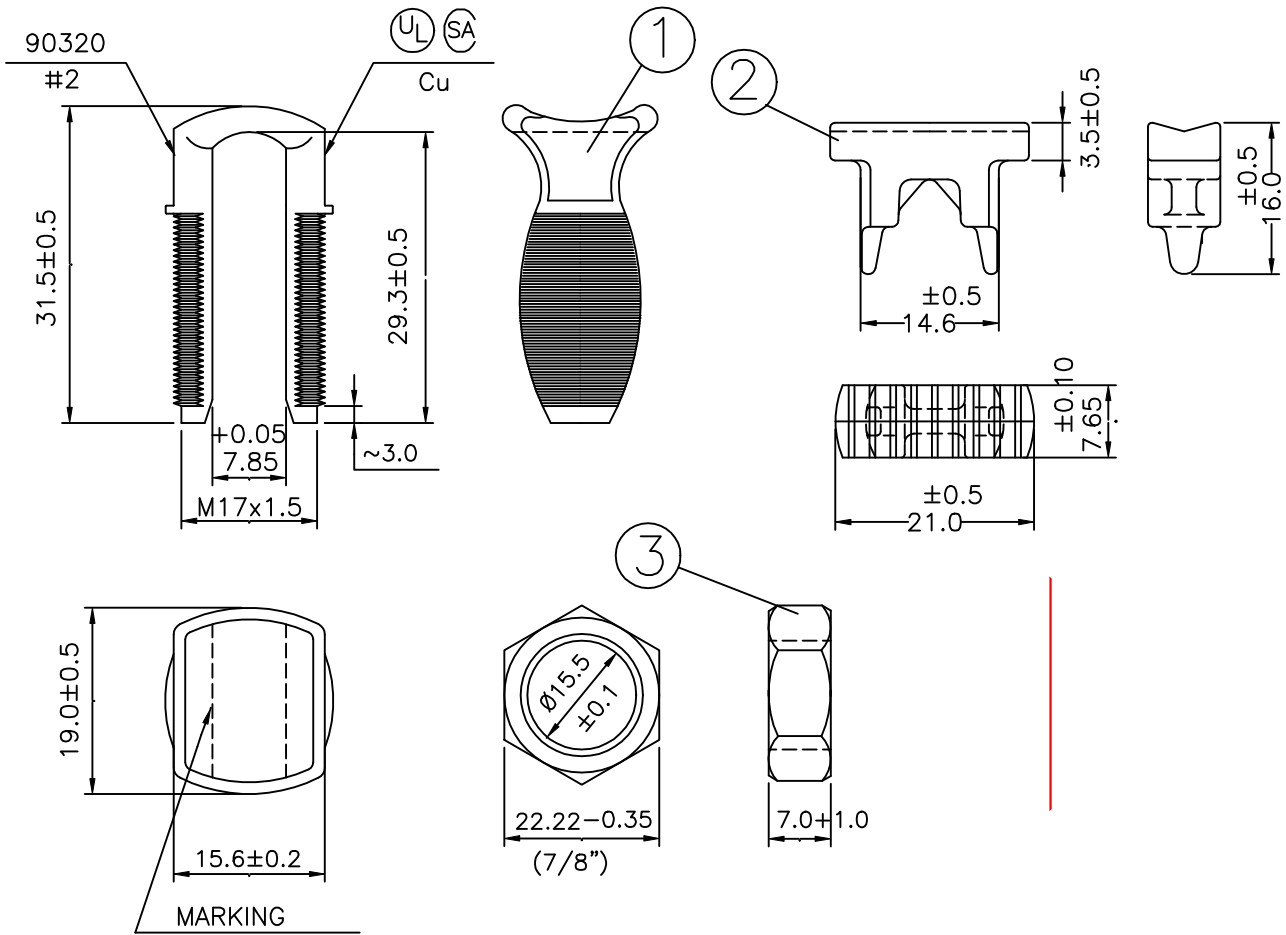
Packaging

Box Qty See Table

Certifications

UL Yes
cUL Yes
RoHS Yes

Cat No.	AWG	Max Run To Max Tap	Min Run To Min Tap	Max Run To Min Tap	Min Equal Tap & Run	Torque In-Lb	B	C	L	R	V	W	Box Qty
90314	8	8-8	8-16	10-10	10-10	88	0.472	0.562	0.854	0.413	0.145	0.65	100
90316	6	4-4	8-14	4-14	8-8	165	0.492	0.625	0.906	0.413	0.165	0.722	100
90318	4	4-4	6-14	4-14	8-8	165	0.709	0.812	1.16	0.579	0.268	0.938	50
90320	2	2-2	6-14	2-14	6-6	275	0.748	0.812	1.26	0.614	0.326	0.938	50
90322	1/0	1/0-1/0	2-14	1/0-14	4-4	385	0.787	0.937	1.54	0.708	0.374	1.08	50
90324	2/0	2/0-2/0	1-14	2/0-14	2-2	385	0.866	1.06	1.69	0.807	0.421	1.28	25
90326	3/0	3/0-3/0	2/0-8	3/0-8	1-1	500	1.1	1.25	2.09	0.976	0.531	1.45	25
90328	4/0-250	250-250	4/0-8	250-8	1-1	500	1.1	1.25	2.09	1.06	0.579	1.45	25
90330	350	350-350	350-1/0	350-1/0	2/0-2/0	650	1.22	1.5	2.36	1.18	0.7	1.73	12
90332	500	500-500	500-2/0	500-2/0	300-300	825	1.34	1.75	2.84	1.34	0.815	2.1	12
90334	750	750-750	750-4/0	750-4/0	750-750	1000	1.94	2.13	3.77	1.93	1.18	2.39	1



MORRIS
R- 2-6
T- 2-14
STR

1-TORQUE: 3.17 kgf.m
2-PULL OUT: 81.65 kgf
3- Dimensions in mm.

MAXIMUM RUN TO
MAXIMUM TAP: 2-2 STR

MINIMUM RUN TO
MINIMUM TAP: 6-14 STR

MAXIMUM RUN TO
MINIMUM TAP: 2-14 STR

MINIMUM EQUAL
RUN-TAP: 6-6 STR

REF.: MORRIS PRODUCTS INC.
CÓD. 90320

3	NUT	BRONZE		
2	RIDER	BRONZE		
1	BODY	ELECTROLYTICAL COPPER		
N°	DENOMINATION	MATERIAL	P.L.	P.B.

Morris Products Inc.
53 Carey Rd.
Queensbury, NY 12804

02	21/10/02		DATA	No 90320	
01	28/05/01		23/08/99		
No	DATA	VISTO			
Revisions			Appvl	08/09/99	01 DE: 01