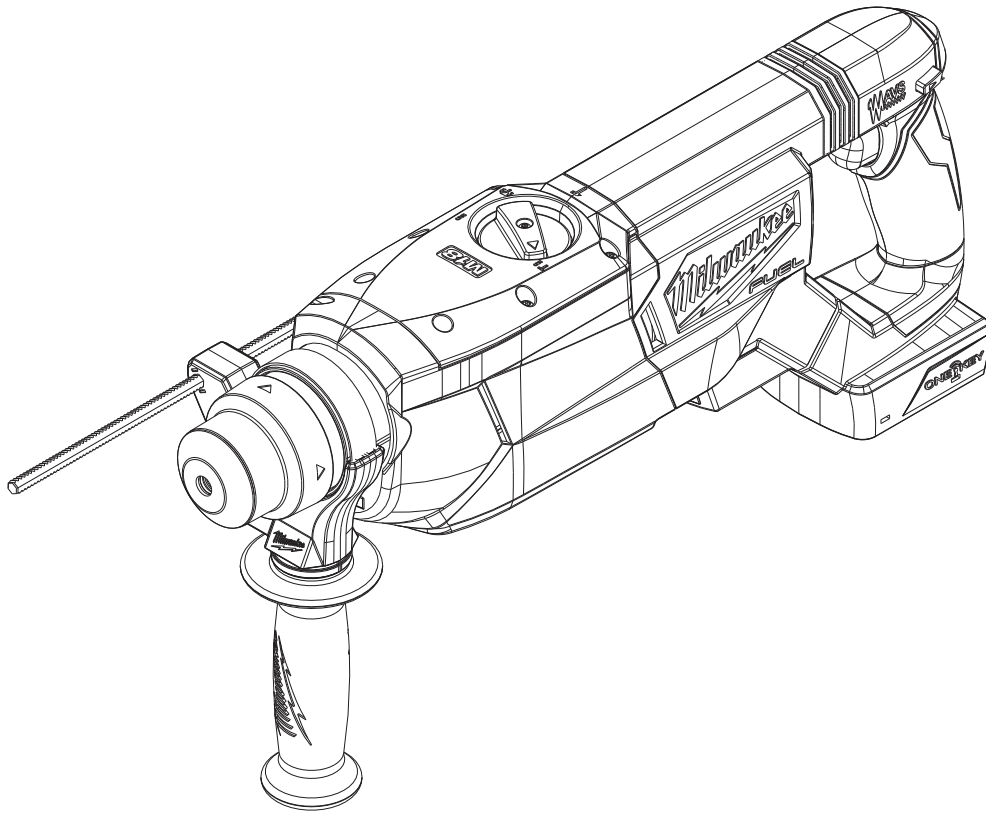




SERVICE PARTS LIST

BULLETIN NO.
54-00-2916

SPECIFY CATALOG NO. AND SERIAL NO. WHEN ORDERING PARTS		REVISED BULLETIN	DATE
M18 FUEL™ 1-1/4" SDS Plus D-Handle Rotary Hammer w/One-Key™			Aug. 2022
CATALOG NO.	2916-20	STARTING SERIAL NO.	N05A
		WIRING INSTRUCTION SEE PAGE 5 & 6	



**Due to the complexities of One-Key™ electronics
contact the following for service related questions and issues:**

e-Service at: www.milwaukeetool.com/e-service

or

questions, please call 1.800.SAWDUST (1.800.729.3878)

or

Return it to a MILWAUKEE *factory* Service Center location, freight prepaid and insured.
A copy of the proof of purchase should be included with the return product.

If you have questions please contact Milwaukee Product Service at:

Product Technical Support via phone at: 262.783.8642

or

Via email at: METProductSupport@milwaukeetool.com

Disassembly is not recommended and could void the warranty.



SERVICE PARTS LIST

BULLETIN NO.
54-00-2916

SPECIFY CATALOG NO. AND SERIAL NO. WHEN ORDERING PARTS		REVISED BULLETIN	DATE
M18 FUEL™ 1-1/4" SDS Plus D-Handle Rotary Hammer w/One-Key™			Aug. 2022
CATALOG NO.	2916-20	STARTING SERIAL NO.	N05A
		WIRING INSTRUCTION SEE PAGE 5 & 6	

EXAMPLE:
Component Parts (Small #) Are Included
When Ordering The Assembly (Large #).

● = Components of the **14-46-0538**
Rotary Hammer Service Kit
(See bottom of this page and
page 2 for a complete listing)

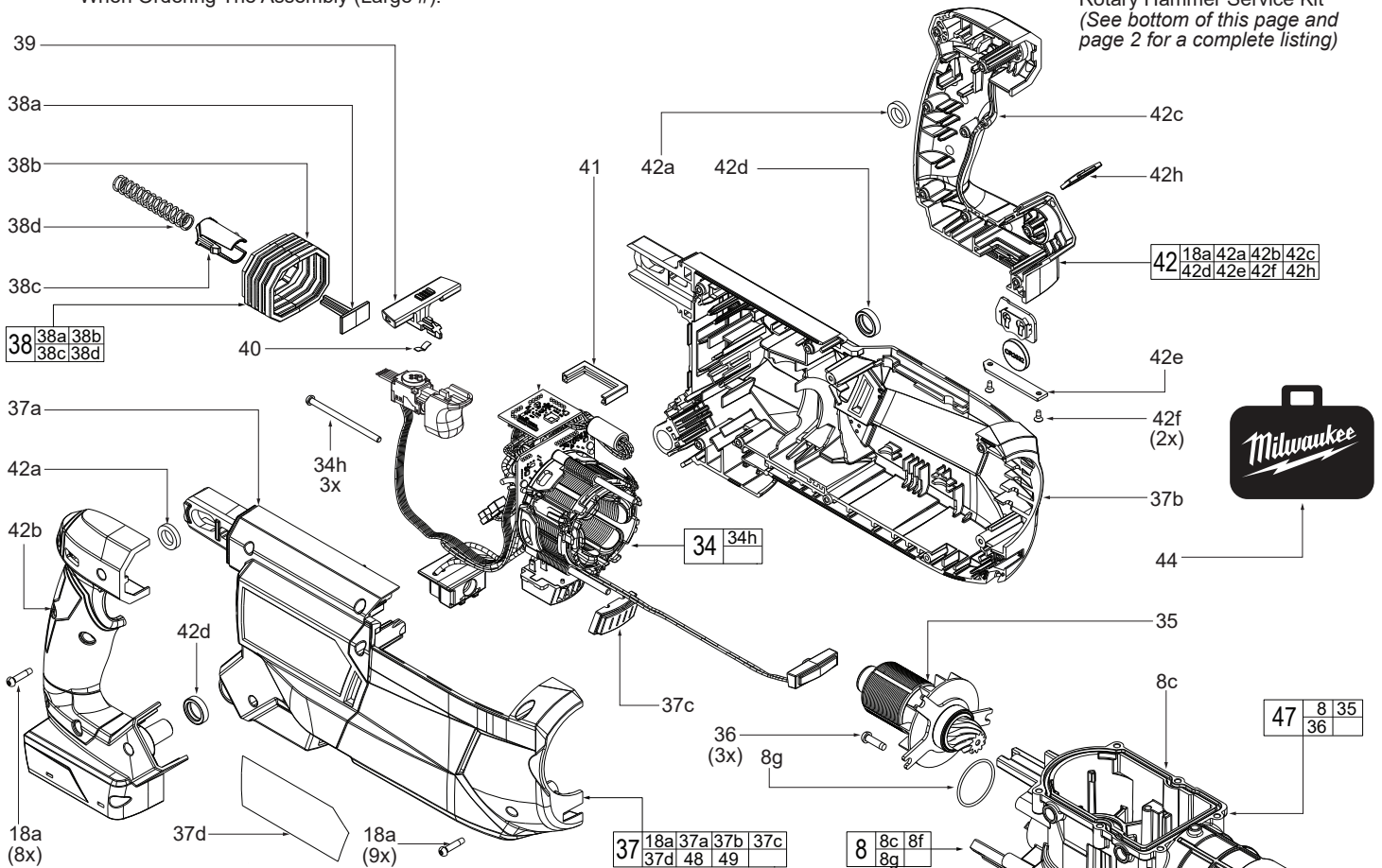


FIG.	PART NO.	DESCRIPTION OF PART	NO. REQ.
8		Gearbox Assembly	1
8c		Main Gearcase	1
8f		● Felt Plug	1
8g	34-40-5320	O-Ring	1
18a	06-82-2025	M3.5 x 16mm PH B Torx Screw	17
34		Motor Stator and PCBA Assembly	1
34h		M Screw M4 x 0.7 PH Torx T20	1
35		Motor Armature Assembly	1
36	05-78-5316	M4 x .7 Pan Hd. Taptite T-20 Screw	3
37	31-50-0131	Housing Kit	1
37a		Housing Support	1
37b		Housing Cover	1
37c		Terminal Cover	1
37d	12-20-0381	Service Nameplate	1
38	14-09-0112	AVS Kit	1
38a		Spring Retention	1
38b		Rubber	1
38c		Handle Spring Carrier	1
38d		2KG Hammer AVS Spring	1
39	42-42-0112	FR Shuttle	1
40	40-50-0298	Spring Plate	1
41	14-20-0247	Bluetooth PCBA Rubber Bumper	1
42	14-34-0163	Handle Kit	1
42a		Handle Foam Bushing	2
42b		Handle Cover	1
42c		Handle Support	1
42d		Cushion Rubber	2
42e		Coin Cell Door	1
42f		M2.6 x 6mm Flat Hd. Phillips Screw	2
42h		Autostop Logo Plate	1
43	14-34-0164	Side Handle Assembly	1
44	42-55-0097	BMC Carrying Case	1
47	31-40-0021	Gearbox and Motor Rotor Assembly	1
48		Rectangle Felt	1
49		Rectangle Felt 2	1

● **14-46-0538**
Rotary Hammer Service Kit

1a	42-52-0066	DUS Cap	1
1b	44-90-5262	C-Ring	1
1d		Collar Felt Seal	1
3	45-06-0178	Stell Ring Felt Seal	1
6a	45-06-0053	Felt Seal	1
6b	45-06-0067	Spindle Seal	1
7	34-40-0316	Square Ring	1
8f		Felt Plug	1
12a	34-40-0317	Striker O-Ring	2
17b	45-06-0069	Crankcase Cover Seal	1
20b		Front Spindle O-Ring	1
20d		Back Pressure Ring	1
20f		Anvil Guide O-Ring	1
20h		Spindle Snap Ring	1
20n		Anvil O-Ring	2
22	34-40-0313	Front Bumper Ring	1
25	34-40-0314	Rubber O-Ring	1
31	45-06-0197	Gear Case Lower Seal	1
NA	49-08-0051	GE00 Grease Service	120G

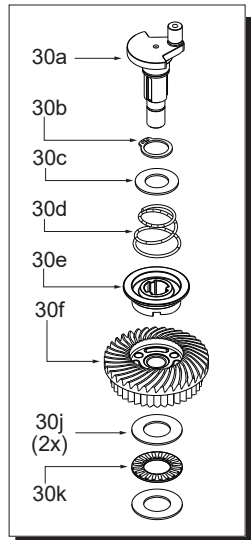
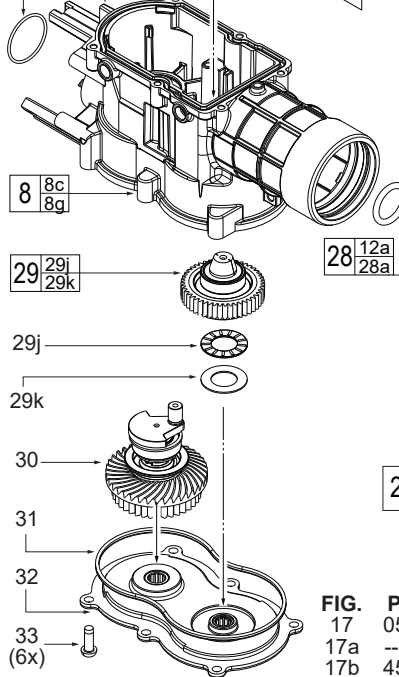
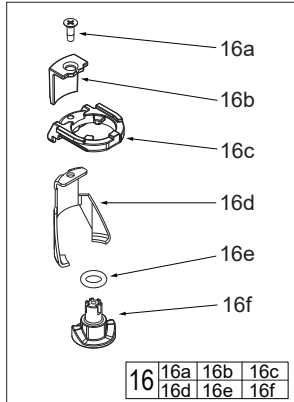
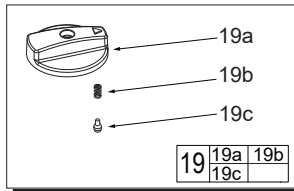
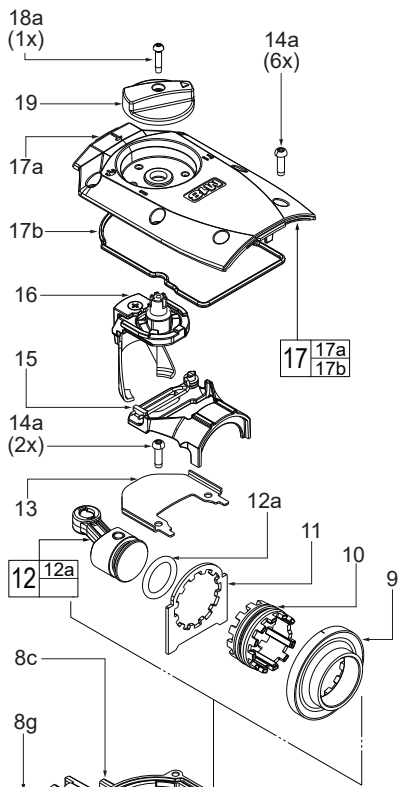


FIG.	PART NO.	DESCRIPTION OF PART	NO. REQ.
17	05-78-0402	Gear Case Cover Kit	1
17a		Gear Case Cover	1
17b	45-06-0069	Crankcase Cover Seal	1
18a		M3.5 x 16mm PH B Torx Screw	1
19	23-66-0111	Mode Selector Kit	1
19a		Selector Knob	1
19b		Switch Spring	1
19c		Detent Button	1
20	44-20-0147	Spindle Assembly	1
20a	14-73-0017	Front Spindle Assembly	1
20b		Front Spindle O-Ring	1
20c	42-06-0093	Anvil Assembly	1
20d		Back Pressure Ring	1
20e		Anvil Guide	1
20f		Anvil Guide O-Ring	1
20g		Main Spindle Barrell	1
20h		Spindle Snap Ring	1
20j		Steel Ring with Rib	1
20k		Spindle Pin	8
20m		Front Spindle SDS	1
20n		Anvil O-Ring	2
20p		SDS Anvil	1
21	44-90-0053	Front Bumper Holder	1
22	34-40-0313	Front Bumper Ring	1
23	45-88-0243	Front Bumper Ring Washer	1
24	45-88-0042	Bumper Holder	1
25	34-40-0314	Rubber O-Ring	1
26	45-88-0157	Flat Washer	1
27	42-76-0049	Spindle Collar	1

FIG.	PART NO.	DESCRIPTION OF PART	NO. REQ.
1	42-76-0104	Collar Kit	1
1a	42-52-0066	DUS Cap	1
1b	44-90-5262	C-Ring	1
1c	42-76-0024	Sliding Collar	1
1d		Collar Felt Seal	1
1e	42-36-0053	Ball Support Plate	1
1f	02-02-0275	Steel Ball	2
1g	40-50-0233	Spring	1
2	42-76-0048	Sleeve Side Handle	1
3	45-06-0178	Stell Ring Felt Seal	1
4	34-60-0076	Front Internal Snap	1
5	45-88-0242	Spindle Seal Washer	1
6	14-86-0018	Front Spindle Bush Assembly	1
6a		Felt Seal	1
6b		Spindle Seal	1
6c		Front Spindle Bushing	1
7	34-40-0316	Square Ring	1
8		Gearbox Assembly	1
8c		Main Gearcase	1
8g	34-40-5320	O-Ring	1
9	32-75-0033	Gear Bevel	1
10	45-22-0027	Shift Sleeve	1
11	44-66-0211	Locking Plate	1
12	14-09-0018	Piston Assembly	1
12a	34-40-0317	Striker O-Ring	2
13	44-66-0213	Plate Clamp	1
14a		M4 x .7 Pan Hd. Taptite T-20 Screw	8
15	14-46-0256	Mode Selection Fork Assembly	1
16	44-90-0058	Lifting Kit	1
16a		Phillips Screw 12MM	1
16b		Bow Lifting Support	1
16c		Shift Driver	1
16d		Lift Bow	1
16e		Rubber O Ring	1
16f		Selector Knob	1

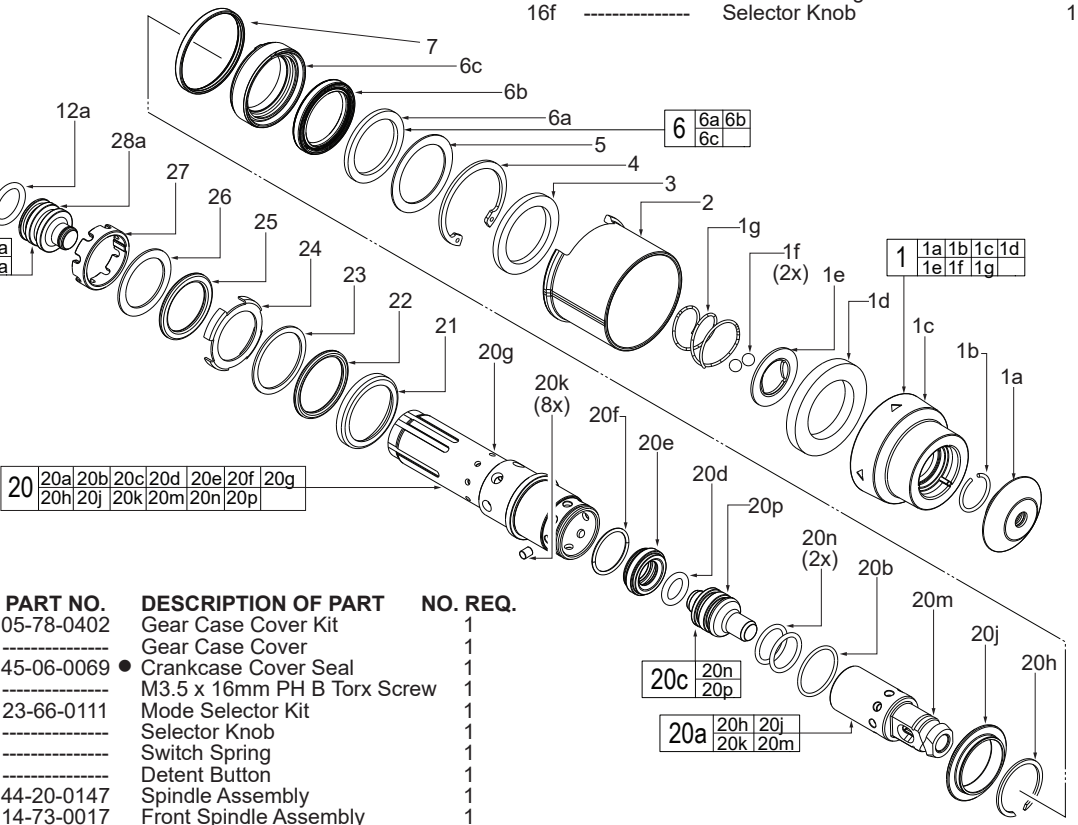
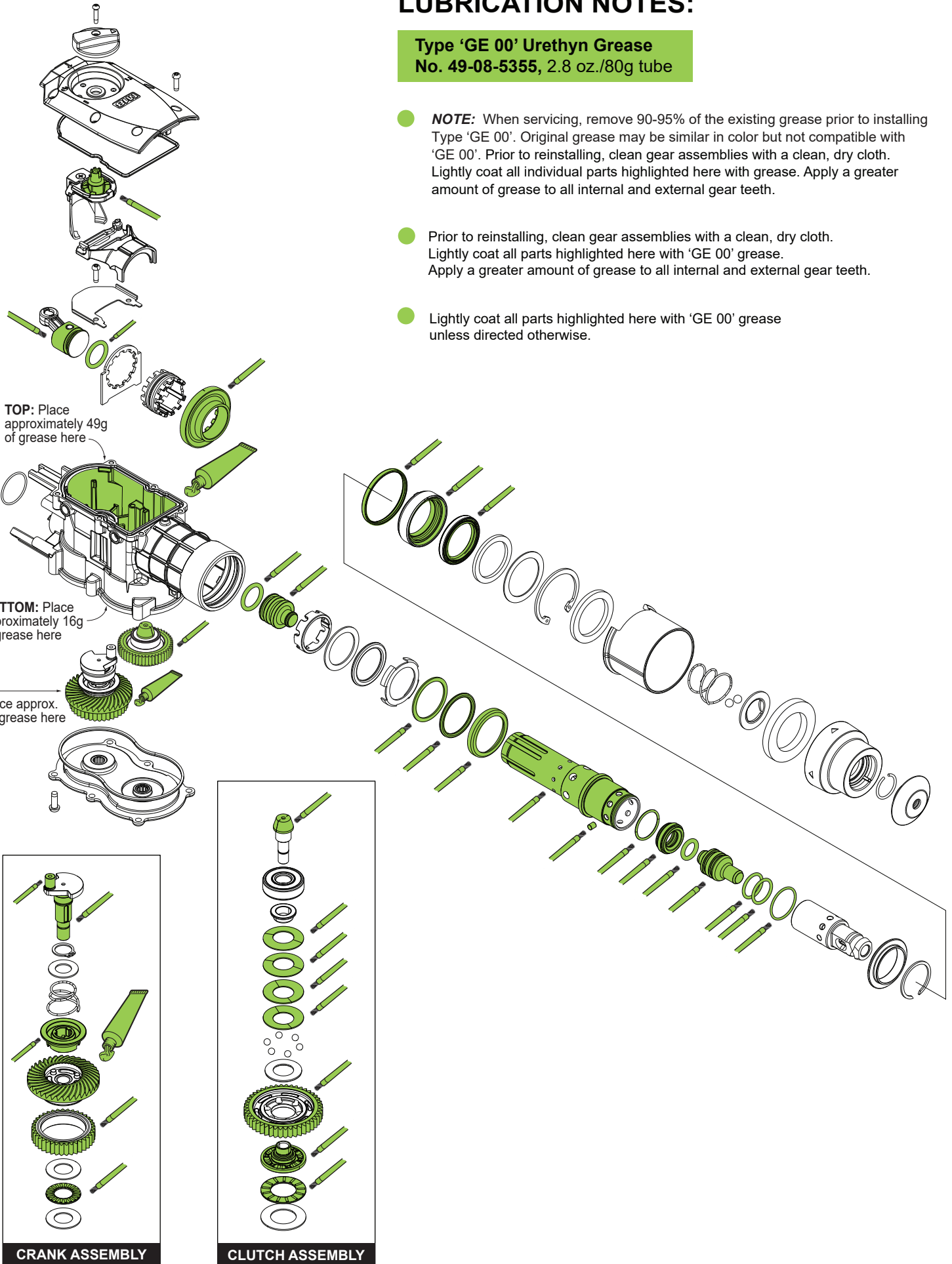


FIG.	PART NO.	DESCRIPTION OF PART	NO. REQ.
28	45-56-0053	Striker Assembly	1
28a		Striker	1
29	14-08-0016	Clutch Assembly	1
29j		Thrust Needle Bearing	1
29k		Thrust Bearing Washing	1
30	14-09-0016	Crank Kit	1
30a		Crank Shaft	1
30b		Snap Ring	1
30c		Crank Spring Washer	1
30d		Conical Spring 1.5	1
30e		Crank Shift ring D-handle	1
30f		Bevel Gear Assembly	1
30j		Flat Washer	2
30k		Thrust Bearing	1
31	45-06-0197	Gear Case Lower Seal	1
32	14-29-0084	Lower Gear Case Assembly	1
33	05-74-0990	M5 x 0.8mm PH Torx T25 Screw	6

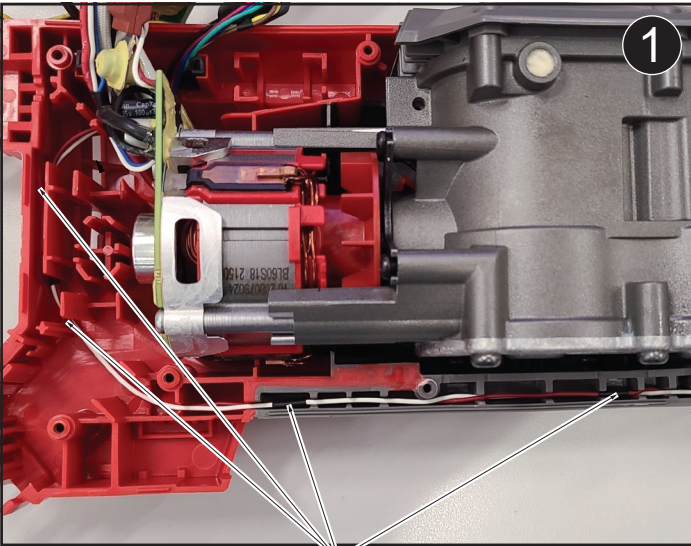
LUBRICATION NOTES:

Type 'GE 00' Urethyn Grease
No. 49-08-5355, 2.8 oz./80g tube

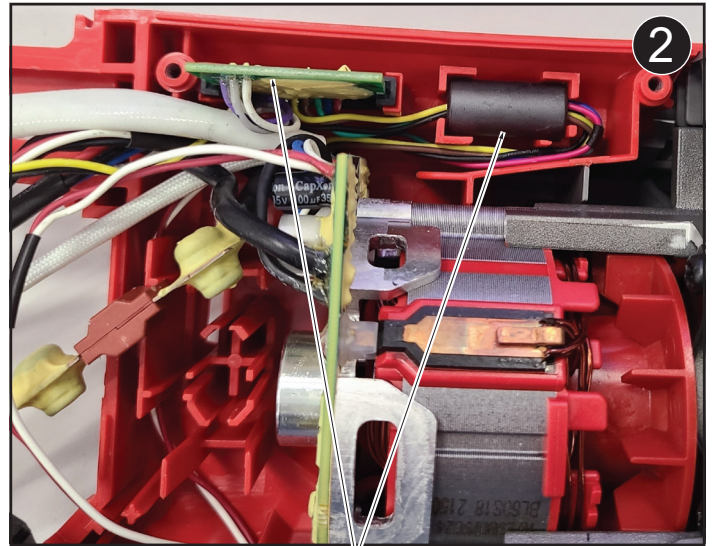
- **NOTE:** When servicing, remove 90-95% of the existing grease prior to installing Type 'GE 00'. Original grease may be similar in color but not compatible with 'GE 00'. Prior to reinstalling, clean gear assemblies with a clean, dry cloth. Lightly coat all individual parts highlighted here with grease. Apply a greater amount of grease to all internal and external gear teeth.
- Prior to reinstalling, clean gear assemblies with a clean, dry cloth. Lightly coat all parts highlighted here with 'GE 00' grease. Apply a greater amount of grease to all internal and external gear teeth.
- Lightly coat all parts highlighted here with 'GE 00' grease unless directed otherwise.



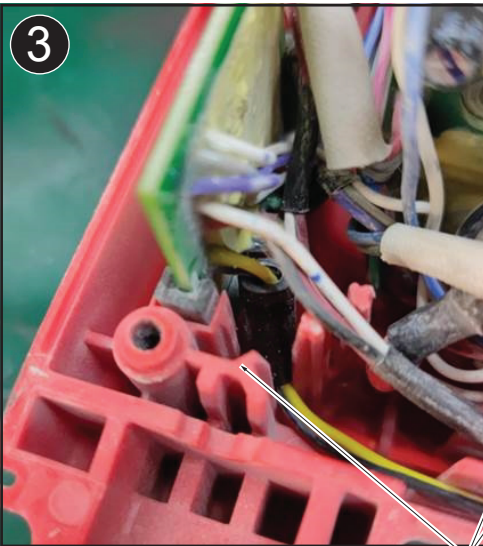
WIRING INSTRUCTIONS



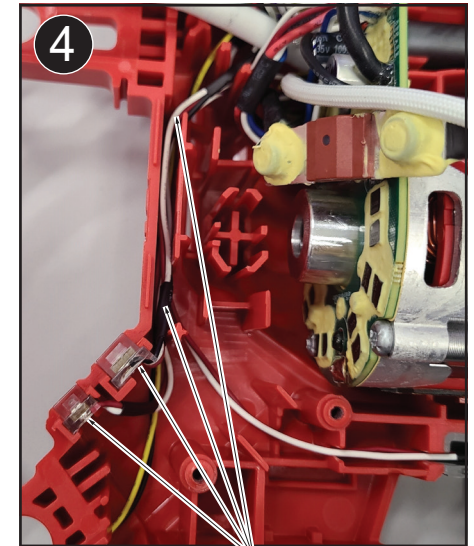
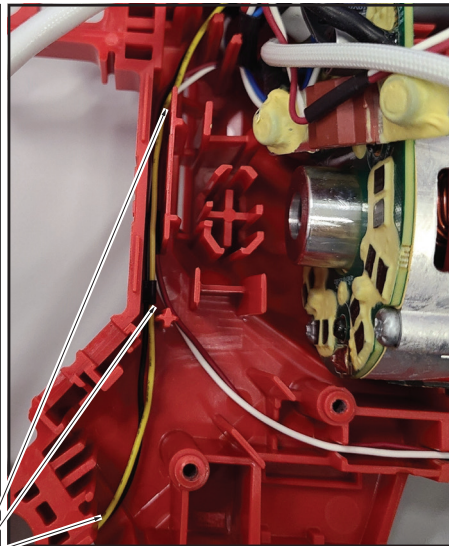
1. Place working lens wire into housing ribs.



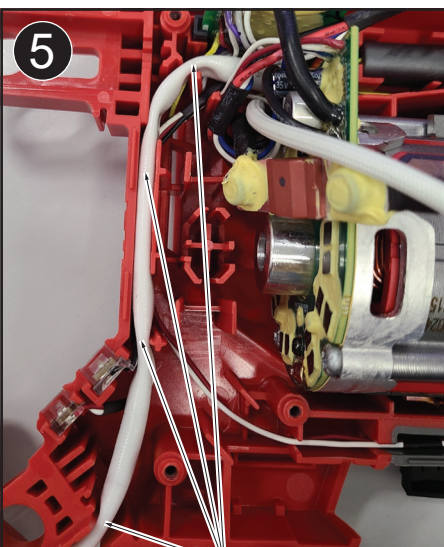
2. Place bluetooth battery board and ferrite into housing ribs.



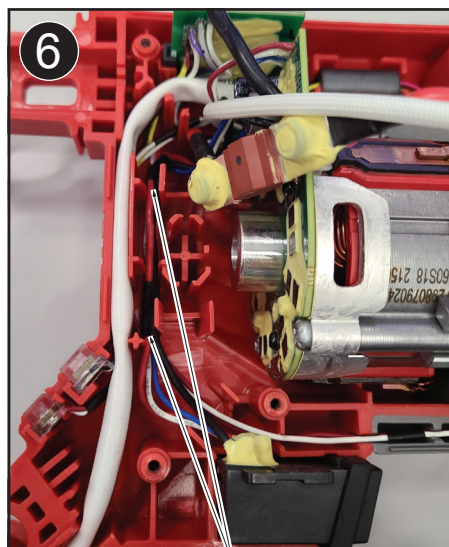
3. Tuck bluetooth battery board wires into housing.



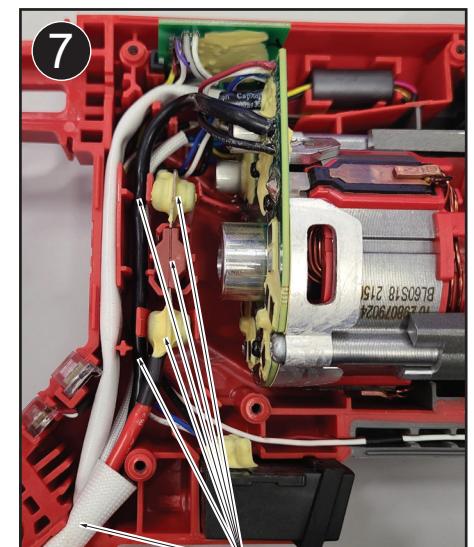
4. Place bluetooth/loc lens wire into housing ribs.



5. Tuck switch wire with white glass fiber tube into housing ribs.

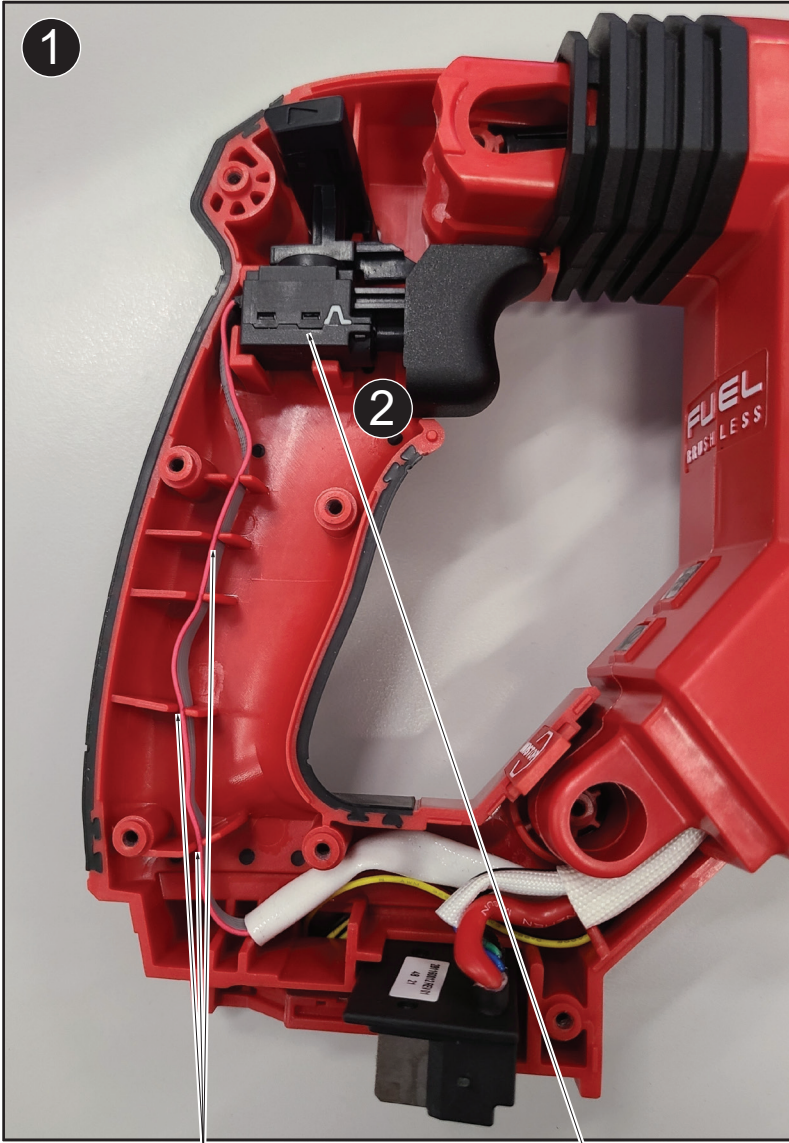


6. Tuck red/white/blue/black DDE wires into housing ribs.

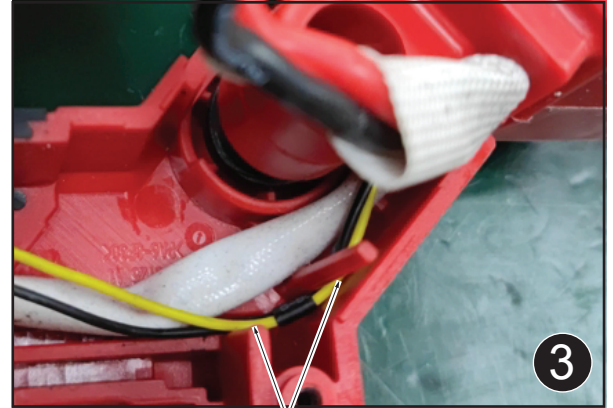


7. Place fuse with holder and the power wires with white glass fiber into housing ribs.

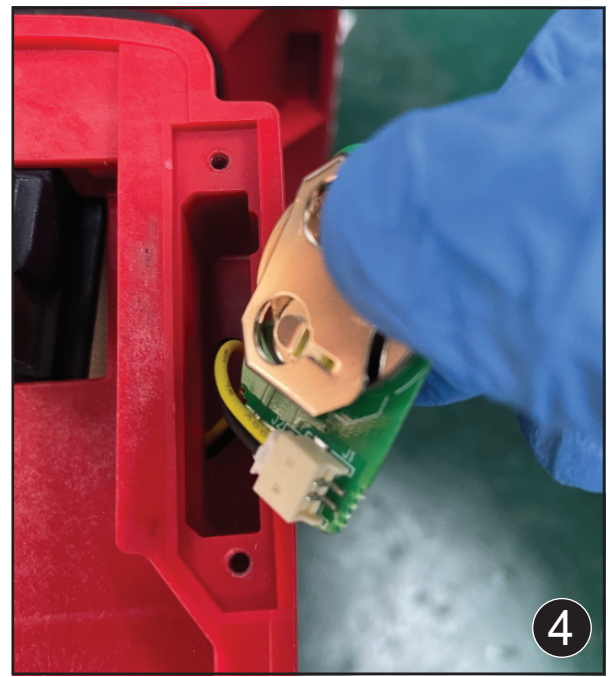
WIRING INSTRUCTIONS - CONTINUED



1. Tuck switch wire into handle ribs. 2. Place switch into fixed handle ribs.



3. Tuck bluetooth battery board wire into handle ribs.



4. Connect wire plug with jack.