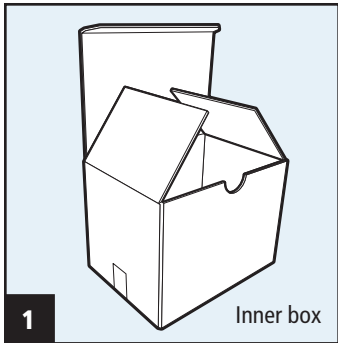
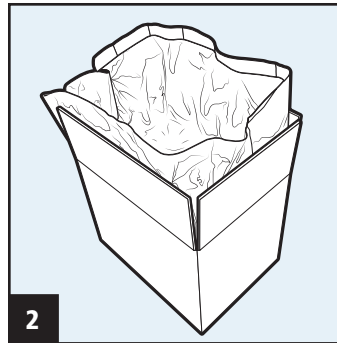


PIG Lamp Recycling Program

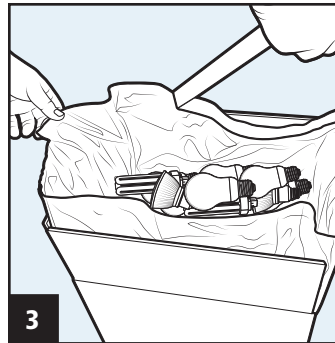
Instructions



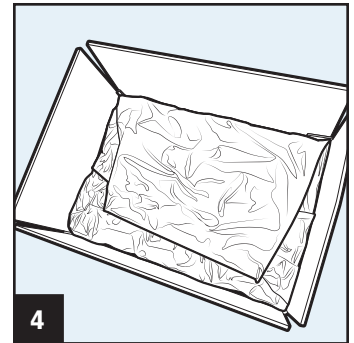
Remove the two flattened boxes (and all other contents) and discard the shipping box that they came in. Build the inner box (it's unmarked), taping the base heavily with the provided reinforced packing tape. Store the outer box for later use.



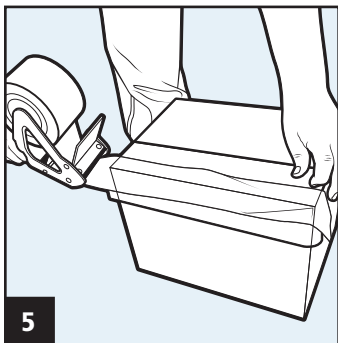
Insert the vapor bag into the inner box. Use this bag/box combination as your collection container for bulbs to be recycled.



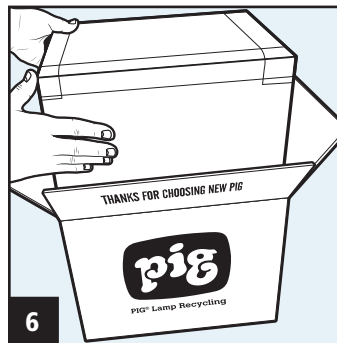
Once the bag/box container is full OR after one calendar year has elapsed from the accumulation date, peel the self-adhesive strip and seal the bag shut. Ensure a continuous seal to prevent material from escaping during shipping.



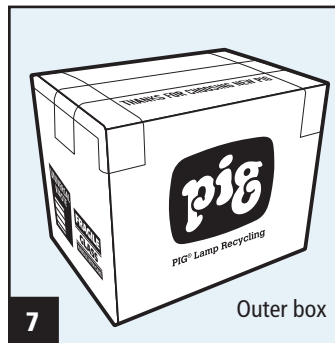
Fold the bag down flat, tucking it inside the box, allowing all box flaps to close neatly.



Close the box flaps (small flaps first, followed by long flaps) and tape heavily with the provided reinforced packing tape.



Build the outer box (marked with PIG logo), taping the base heavily. Place the inner box inside the outer box.



Close the flaps of the outer box (small flaps first, followed by long flaps) and tape heavily with the provided reinforced packing tape. Your package is ready! Contact UPS to schedule pickup by calling 1-800-PICK-UPS (742-5877) or visiting ups.com.



Once your bulbs have been received and recycled, you can obtain the Certificate of Destruction. Please allow 5–7 days for processing, then visit newpig.com/COD to retrieve your certificate.

IMPORTANT! Retain the **Unique ID Number** provided on the back of this instruction sheet. After you've shipped the waste bulbs, please allow 5–7 days for processing, then visit newpig.com/COD to retrieve your Certificate of Destruction.



New Pig

One Pork Avenue
Tipton, PA 16684-0304

Questions? Call 1-800-HOT-HOGS® (468-4647) or visit newpig.com

PIG, PIG logo are registered trademarks in USA and other countries. See tm.newpig.com

166030 / 355287

The Services (as defined herein) are provided by New Pig Corporation ("New Pig") and its designees, assignees, subsidiaries and/or affiliates to you, the customer, as the user of the Services and/or Tube ("You"). These Terms and Conditions (the "Terms") are effective as of the date You agree to these Terms or use the Tube as provided herein ("Effective Date") and govern (a) Your use of the Services, including Your use of the recycling tube (the "Tube") in connection with the Services and (b) the relationship between New Pig and You.

THIS IS A LEGALLY BINDING AGREEMENT.

PLEASE REVIEW THESE TERMS AND THE INSTRUCTIONS CAREFULLY BEFORE USING THE TUBE.

USE OF THE TUBE AND THE SERVICES CONSTITUTES YOUR ACCEPTANCE OF THESE TERMS. THESE TERMS ARE SUBJECT TO CHANGE WITHOUT NOTICE, FROM TIME TO TIME IN NEW PIG'S SOLE DISCRETION. NEW PIG WILL NOTIFY YOU OF AMENDMENTS TO THESE TERMS AND CONDITIONS BY POSTING THEM TO THE NEW PIG WEBSITE (www.newpig.com).

If You have any questions regarding or complying with these Terms, please call NEW PIG at 1-855-493-HOGS (493-4647).

RETURNS. If You do not accept these Terms, You may not use the Tube or the Services. You may return a Tube within ten (10) days from the day You received the Tube (the "Return Period") by doing one of the following during the Return Period: (a) return the Tube to the place of purchase; or (b) contact New Pig at the phone number noted above and complete all return instructions.

LIMIT ON AVAILABILITY. The Services are not available in Puerto Rico, and the States of Alaska and Hawaii. It is a violation of law to ship the Tube to, from or through any of these locations. New Pig reserves the right to modify the list of prohibited location at any time.

TITLE TO, AND RISK OF LOSS FOR, CONTAINER AND CONTENTS. Full Tubes shall be shipped to the recycling facility as designated on the pre-printed label that accompanies the Tube ("Recycler"). Full tubes should NOT be shipped to New Pig. Unless and until Recycler receives and accepts the Tube: (a) title to and risk of loss of the Tube and its contents shall remain with You; and (b) You are solely responsible for the contents of the Tube. Further, the U.S. Environmental Protection Agency and U.S. Department of Transportation strictly regulate hazardous waste under a Federal statute known as the Resource Conservation and Recovery Act (the "Act"). The Act requires that all hazardous waste shipped off-site be tracked by You, as the generator, from "cradle-to-grave." Nothing herein is intended to or will be interpreted as voiding or limiting Your responsibility as required by the Act.

EXPIRATION OF CONTAINER; UNUSED CONTAINERS. Each Tube should be shipped to Recycler within one (1) year of the purchase date. Recycler has no obligation to accept a Tube if it is not received within one (1) year of the purchase date, even where the carrier identified on a Prepaid Label fails or refuses to ship the Tube. New Pig is not obligated to provide You with a refund or a replacement for any expired, unused Tubes.

PACKAGING. You shall pack and seal the Tube in accordance with the instructions included with the Tube and any additional instructions that New Pig may send to You or post on the New Pig Website (www.newpig.com) prior to shipment of the Tube by you (the "Instructions"). You shall only pack ONE TYPE of fluorescent light bulb in any one tube [4' fluorescent lamps, or 4' fluorescent shatter shield lamps, or HID (high intensity discharge) lamps, or Circular and U-bent fluorescent lamps, or Compact fluorescent lamps, or Incandescent and Halogen lamps] (the "Acceptable Material") in the Tube, and You shall not include any and all other materials or waste.

SHIPPING. You shall comply with all Instructions related to shipping. You will receive a prepaid return shipping label (the "Prepaid Label") with the Tube. The Tube may not be shipped from Puerto Rico, Alaska or Hawaii.

ADDITIONAL SHIPPING CHARGES. You remain responsible for all charges for shipping the Tube to Recycler, including, without limitation, any increases imposed by the shipper after You have purchased a Tube and the Prepaid Label. If the shipper identified on the Prepaid Label will not ship the Tube, New Pig's sole obligation will be to refund to You the actual shipping charge received by New Pig. This obligation is conditioned upon receipt of written request for such refund within six (6) months from the date You purchased or received the Tube. You also remain responsible for all charges relating to exceeding the weight limits applicable to the Tube.

ACCEPTABLE MATERIAL/NON-CONFORMING WASTE/ADDITIONAL CHARGES. You should always check the New Pig Website (www.newpig.com) for updates to this list of Acceptable Material prior to initiating the shipment of a Tube in order to ensure that only Acceptable Material is shipped in the Tube. Materials other than the Acceptable Material, and material having constituents, characteristics, components or properties not included within the list(s) of Acceptable Material for each Tube, shall be "Non-Conforming Material." You shall be liable for any and all costs associated with Non-Conforming Material. Neither New Pig nor Recycler will ever take title to Non-Conforming Material, and title to Non-Conforming Material shall always remain with You. You further acknowledge any Non-Conforming Material may be shipped back to You at Your expense. Shipping Non-Conforming Material may also result in regulatory violations and/or fines for which You will be liable.

Any materials containing polychlorinated biphenyl or PCBs shall be considered Non-Conforming Material. High intensity discharge bulbs qualify as Acceptable Material only if packaged and labeled in accordance with all Federal laws, including United States Department of Transportation regulations or any state law labeling requirements.

CERTIFICATE OF DESTRUCTION. Recycler shall deliver a Certificate of Destruction to New Pig after a Tube has been received by Recycler and all Conforming Material have been recycled by Recycler. **It is your responsibility to print a copy of Your Certificate of Destruction and retain the Certificate of Destruction for Your own records.** New Pig shall only retain Your Certificate of Destruction for a period of three (3) years.

CHARGES FOR FAILURE TO COMPLY WITH TERMS AND INSTRUCTIONS; CHANGED CONDITIONS; RATE INCREASE; AND ADDITIONAL SERVICES. New Pig reserves the right to charge or bill You additional amounts for any of the following: (a) any Tube exceeding its specified maximum weight; (b) shipping materials in the wrong Tube, or mixing materials in a Tube; (c) additional shipping charges beyond the amounts prepaid for any Prepaid Label; (d) any costs or expenses incurred by New Pig as a result of Your failure to comply with these Terms or the Instructions; or (e) any costs related to changes in applicable law occurring after the date of purchase of the Tube. The rates may be adjusted by New Pig to account for: any increase in disposal or fuel costs; increases or changes in the scope of work, as requested by You; increased costs due to uncontrollable circumstances, including, without limitation, changes in local, state or federal laws or regulations, imposition of taxes, fees or surcharges from Recycler; and acts of God such as floods, fires, etc. New Pig may also increase the charges to reflect increases in the Consumer Price Index.

WARRANTY. Each party represents and warrants that it will comply with all applicable laws. New Pig warrants, except where the Services are used in prohibited locations, as follows: (a) the Tube has passed, and meets or exceeds the applicable performance standards of federal, state and local regulations; and (b) if the Tube is packed, sealed and shipped strictly in accordance with the Instructions, it is adequate to transport Acceptable Materials to the Recycler from authorized points under ordinary commercial shipping conditions. Other than as expressly warranted herein, the Services are provided "as is," and New Pig disclaims any and all warranties, express or implied, including, but not limited to, implied warranties of merchantability and fitness for a particular purpose. You warrants that You will not ship any Non-Conforming Material in the Tube and that You will otherwise comply with these Terms and all Instructions. New Pig makes no representations or warranties as to the recyclability of all components contained in the Acceptable Material or that all components will be recycle.

INDEMNITY. You agree to indemnify, defend and hold New Pig harmless from and against any and all liability which New Pig may be responsible for or pay out as a result of bodily injuries (including death), property damage, or any violation or alleged violation of law to the extent caused by your breach of these Terms or by any negligent act, negligent omission or willful misconduct by You or Your employees, agents or contractors in the performance of these Terms or Your use, operation or possession of any Tube furnished by New Pig, or any occurrences related to Non-Conforming Material. Neither party shall be liable to the other for special, consequential incidental or punitive damages arising out of the performance of the Terms. This Section will survive any termination of the parties' relationship.

ENTIRE AGREEMENT. This Agreement constitutes the sole and entire agreement of the parties to this Agreement with respect to the subject matter contained herein and supersedes all prior and contemporaneous understandings, agreements, representations and warranties, both written and oral, with respect to such subject matter. If any provision in this Agreement is determined to be illegal, invalid or unenforceable, the remainder of this Agreement will nonetheless survive and govern the rights and obligations of the parties hereto. No provision of this Agreement will be deemed waived, amended, or modified by either party unless such waiver, amendment, or modification is in writing signed by the party against whom enforcement is sought. Any additional or different terms or conditions contained in any document furnished by You are hereby objected to and rejected by New Pig.

Please locate the UNIQUE ID NUMBER below and retain for your records.

