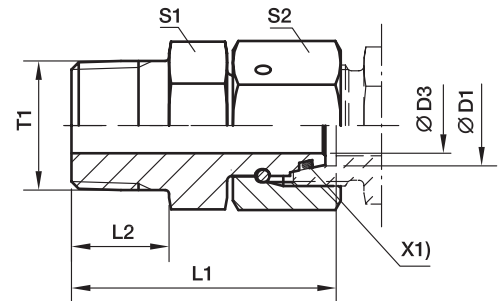


## EGE-NPT Swivel connector

Male NPT thread (SAE J476) / EO 24° DKO swivel



X1) O-ring OR

Series	D1	T1	D3	L1	L2	S1	S2	Weight g/1 piece	Order code*	PN (bar) <sup>1)</sup>	
										CF	A3C
L <sup>3)</sup>	06	1/8-27NPT	2.5	31.5	10.0	11	14	23	<b>EGE06L1/8NPT</b>	315	315
	08	1/4-18NPT	4.0	37.5	14.5	14	17	41	<b>EGE08L1/4NPT</b>	315	315
	10	1/4-18NPT	6.0	38.0	14.5	14	19	44	<b>EGE10L1/4NPT</b>	315	315
	12	3/8-18NPT	8.0	40.0	14.5	19	22	69	<b>EGE12L3/8NPT</b>	315	315
	15	1/2-14NPT	10.0	49.5	19.5	22	27	127	<b>EGE15L1/2NPT</b>	315	315
	18	1/2-14NPT	12.0	49.0	19.5	24	32	142	<b>EGE18L1/2NPT</b>	315	315
	22	3/4-14NPT	16.0	52.0	19.5	27	36	200	<b>EGE22L3/4NPT</b>	160	160
	28	1-11 1/2NPT	22.0	61.0	24.5	36	41	306	<b>EGE28L1NPT</b>	160	160
	35	1 1/4-11 1/2NPT	28.0	65.5	25.0	46	50	486	<b>EGE35L11/4NPT</b>	160	160
	42	1 1/2-11 1/2NPT	34.0	68.5	26.0	50	60	662	<b>EGE42L11/2NPT</b>	160	160
S <sup>4)</sup>	06	1/4-18NPT	2.5	37.5	14.5	14	17	42	<b>EGE06S1/4NPT</b>	630	630
	08	1/4-18NPT	4.0	38.0	14.5	14	19	47	<b>EGE08S1/4NPT</b>	630	630
	10	3/8-18NPT	6.0	40.5	14.5	19	22	75	<b>EGE10S3/8NPT</b>	630	630
	12	3/8-18NPT	8.0	42.0	14.5	19	24	81	<b>EGE12S3/8NPT</b>	630	630
	14	1/2-14NPT	9.0	50.5	19.5	22	27	131	<b>EGE14S1/2NPT</b>	630	630
	16	1/2-14NPT	11.0	51.0	19.5	22	30	145	<b>EGE16S1/2NPT</b>	400	400
	20	3/4-14NPT	14.0	54.0	19.5	27	36	221	<b>EGE20S3/4NPT</b>	400	400
	25	1-11 1/2NPT	18.0	63.5	24.5	36	46	422	<b>EGE25S1NPT</b>	400	400
	30	1 1/4-11 1/2NPT	23.0	70.5	25.0	46	50	628	<b>EGE30S11/4NPT</b>	400	400
	38	1 1/2-11 1/2NPT	30.0	73.5	26.0	50	60	770	<b>EGE38S11/2NPT</b>	315	315

<sup>1)</sup> Pressure shown = item deliverable

<sup>3)</sup> L = light series; <sup>4)</sup> S = heavy series

$$\frac{\text{PN (bar)}}{10} = \text{PN (MPa)}$$

Information on ordering alternative sealing materials see page 17.

\*Please add the **suffixes** below according to the material/surface required.

Order code suffixes			
Material	Suffix surface and material	Example	Standard sealing material (no additional suffix needed)
Steel, zinc plated, chrome <sup>6</sup> -free	CF	EGE16S1/2NPTCF	NBR
Steel, zinc yellow plated	A3C	EGE16S1/2NPTA3C	NBR