



USB to DH485 Interface Converter

1747-UIC

New Interface Converter from Rockwell Automation Expands DH-485 Connectivity Options for Allen-Bradley SLC 500 and MicroLogix Controller Platforms

The 1747-UIC USB to DH-485 Interface Converter allows computers with USB (Universal Serial Bus) ports to be connected to DH-485 ports located on SLC 500, MicroLogix, ControlLogix controllers, PanelView terminals, as well as 1747-AIC and 1761-NET-AIC isolators.

Advantages

Embedded DH-485 driver compatible with the existing RSLinx DF1 RS-232 Full-Duplex driver. This eliminates the need for the PIC/AIC+ DH-485 driver to be installed in RSLinx.

- Two (2) DH-485 ports (switch selectable):
- (1) RJ-45 for connection to SLC 500, 5/01, 5/02, 5/03, AIC, and PanelView products with DH-485 ports.
- (1) RS-232 DB9 for connection to channel 0 on SLC 5/03 and higher CPUs, AIC+, MicroLogix, CompactLogix, FlexLogix, ControlLogix, and PanelView products with RS-232 ports.
- Interfaces to RSLinx using standard DF1 driver via COM Port to USB Redirector (compatible with Windows 98, ME, 2000, and XP). Note: RSLinx 2.41 requires drivers for the UIC and USB port to be installed. The drivers will be provided on a diskette with the 1747-UIC product.



1747-UIC

Advantages (cont.)

- RSLinx versions after 2.41 will include these drivers.
- DF1 driver supports COM1-COM31
- Connects to SLC, MicroLogix, ControlLogix and PanelView products using existing programming cables (purchased separately).
- 12-inch cable for connection to USB port
- Powered by USB port. No external power required.
- 500V dc Isolation between power common and DH-485 common

Computer and Operating System Requirements:

- Computer equipped with USB port, RSLinx 2.41 or greater, and Windows 98, 2000, or XP

Product Profile

1747-UIC

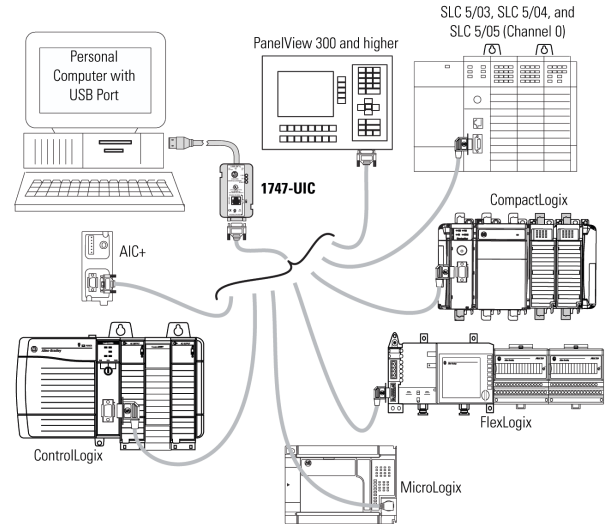
**Rockwell
Automation**



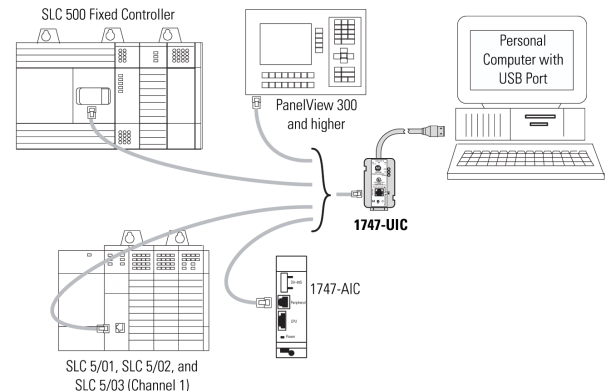
Allen-Bradley

Product Selection, Specifications

Connect the following DH-485 equipment to the RS-232 port	Use cable
SLC 5/03, SLC 5/04, and SLC 5/05 (Channel 0)	1747-CP3, 1756-CP3
1761-NET-AIC (AIC+) Advanced Interface Converter	1747-CP3, 1756-CP3 (Port 1, 9-pin D) 1761-CBL-PM02 (Port 2, 8-pin DIN)
PanelView 300 and higher with RS-232 (DH-485) port	2711-NC13 or equivalent
MicroLogix PanelView 300 Micro (DH-485)	1761-CBL-PM02 or equivalent
CompactLogix	1747-CP3, 1756-CP3
FlexLogix	1747-CP3, 1756-CP3
ControlLogix	1747-CP3, 1756-CP3



Connect the following DH-485 equipment to the RS-485 port	Using cable
SLC 500 Fixed Controller	1747-C13
SLC 5/01, SLC 5/02, and SLC 5/03 (Channel 1)	
1747-AIC Isolated Link Coupler	
PanelView 300 and higher with DH-485 port	



www.rockwellautomation.com

Corporate Headquarters

Rockwell Automation, 777 East Wisconsin Avenue, Suite 1400, Milwaukee, WI, 53202-5302 USA, Tel: (1) 414.212.5200, Fax: (1) 414.212.5201

Headquarters for Allen-Bradley Products, Rockwell Software Products and Global Manufacturing Solutions

Americas: Rockwell Automation, 1201 South Second Street, Milwaukee, WI 53204-2496 USA, Tel: (1) 414.382.2000, Fax: (1) 414.382.4444

Europe/Middle East/Africa: Rockwell Automation SA/NV, Vorstlaan/Boulevard du Souverain 36, 1170 Brussels, Belgium, Tel: (32) 2 663 0600, Fax: (32) 2 663 0640

Asia Pacific: Rockwell Automation, 27/F Citicorp Centre, 18 Whitfield Road, Causeway Bay, Hong Kong, Tel: (852) 2887 4788, Fax: (852) 2508 1846

Headquarters for Dodge and Reliance Electric Products

Americas: Rockwell Automation, 6040 Ponders Court, Greenville, SC 29615-4617 USA, Tel: (1) 864.297.4800, Fax: (1) 864.281.2433

Europe/Middle East/Africa: Rockwell Automation, Brühlstraße 22, D-74834 Elztal-Dallau, Germany, Tel: (49) 6261 9410, Fax: (49) 6261 17741

Asia Pacific: Rockwell Automation, 55 Newton Road, #11-01/02 Revenue House, Singapore 307987, Tel: (65) 6356-9077, Fax: (65) 6356-9011