

**NEW**

# High-Precision Hydraulic Toolholders

**CAT40, CAT50, BT30, BT40,  
HSK63A, HSK100A, HSK63F**

**Now available from your distributor!**

**Order Today...  
Ships Today!**



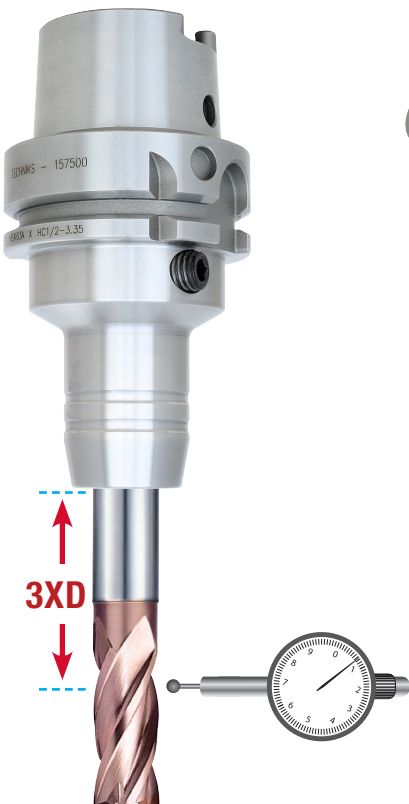
## Features

- balanced to 25,000 RPM at G2.5
- T.I.R. 0.0001" at 3X shank dia.
- precision ground to AT3 standard
- AD/B CoolFLEX coolant standard

Our hydraulic holders extend tool life and improve surface finish because T.I.R. is only 0.0001".

## Runout Accuracy 0.0001"

T.I.R. measured at 3xD



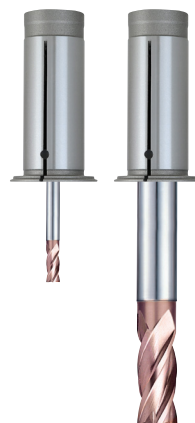
Extended length hydraulic holders are a great choice for mould work, or any time you need smooth, accurate cutting at extended lengths.

## Precision Reduction Sleeves

Use sleeves for fast tool changes



reduction sleeves fit shank sizes 1/8" up to 5/8" (3 - 16mm)

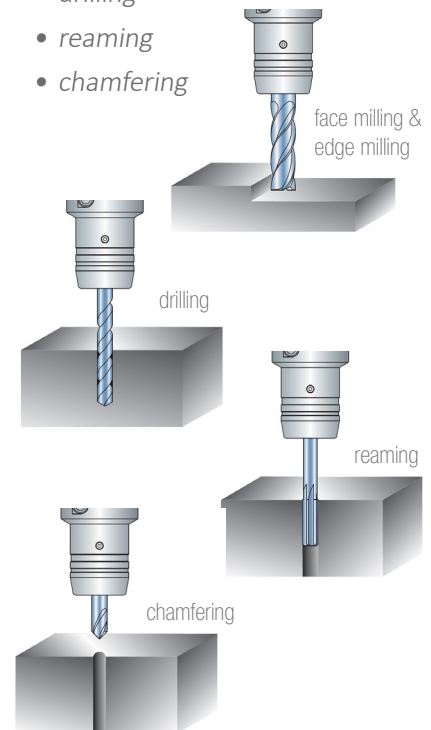


Full specs at:  
<http://bit.ly/1t6sbQq>

Fast tool changes are performed with just a twist of a wrench (included). Change tools in-spindle without the need for setup equipment.

## Use Hydraulic Chucks for:

- face milling and edge milling
- drilling
- reaming
- chamfering



# High-Precision Hydraulic Holders and Reduction Sleeves

## CAT40 Hydraulic Toolholders – Inch and Metric

Part No.	Description	d1	D1	D2	L	L1	L2
154500	CAT40AD/B-HC1/2S-2.52 Hydro	1/2"	1.654"	-	2.520"	-	1.457"
154625	CAT40AD/B-HC5/8S-2.52 Hydro	5/8"	1.339"	1.772"	2.520"	-	1.654"
154750	CAT40AD/B-HC3/4S-2.52 Hydro	3/4"	1.496"	1.969"	2.520"	-	1.654"
154100	CAT40AD/B- HC1S-3.50 Hydro	1.0"	2.244"	2.598"	3.504"	-	1.890"
154060	CAT40AD/B-HC6-80.5 Hydro	6mm	26mm	50mm	80.5mm	20mm	27mm
154080	CAT40AD/B-HC8-80.5 Hydro	8mm	28mm	50mm	80.5mm	30mm	37mm
154010	CAT40AD/B-HC10-80.5 Hydro	10mm	30mm	50mm	80.5mm	32mm	37mm
154012	CAT40AD/B-HC12-80.5 Hydro	12mm	32mm	50mm	80.5mm	32mm	37mm
154016	CAT40AD/B-HC16-80.5 Hydro	16mm	38mm	50mm	80.5mm	33mm	42mm
154200	CAT40AD/B-HC20-80.5 Hydro	20mm	42mm	50mm	80.5mm	34mm	42mm

## CAT40 Extended Length Hydraulic Toolholders – Inch Size

Part No.	Description	d1	D1	D2	L	L1	L2
854022	CAT40AD/B-HMC 1/4-4.72 Hydro	1/4"	0.787"	1.969"	4.724"	2.756"	1.063"
854024	CAT40AD/B-HMC 1/4-5.91 Hydro	1/4"	0.787"	1.969"	5.906"	3.937"	1.063"
854028	CAT40AD/B-HMC 3/8-4.72 Hydro	3/8"	0.945"	1.969"	4.724"	2.756"	1.260"
854030	CAT40AD/B-HMC 3/8-5.91 Hydro	3/8"	0.945"	1.969"	5.906"	3.937"	1.260"
854032	CAT40AD/B-HMC 1/2-4.72 Hydro	1/2"	1.024"	1.969"	4.724"	2.756"	1.457"
854034	CAT40AD/B-HMC 1/2-5.91 Hydro	1/2"	1.024"	1.969"	5.906"	3.937"	1.457"
854036	CAT40AD/B-HMC 5/8-4.72 Hydro	5/8"	1.260"	1.969"	4.724"	2.756"	1.654"
854038	CAT40AD/B-HMC 5/8-5.90 Hydro	5/8"	1.260"	1.969"	5.906"	3.937"	1.654"
854040	CAT40AD/B-HMC 3/4-4.72 Hydro	3/4"	1.339"	1.969"	4.724"	2.756"	1.654"
854042	CAT40AD/B-HMC 3/4-5.90 Hydro	3/4"	1.339"	1.969"	5.906"	3.937"	1.654"

## CAT50 Hydraulic Toolholders – Inch and Metric

Part No.	Description	d1	D1	D2	L	L1	L2
155750	CAT50AD/B-HC3/4S-3.19 Hydro	3/4"	2.205"	2.756"	3.189"	-	1.654"
155100	CAT50AD/B-HC1S-3.19 Hydro	1.0"	2.165"	2.756"	3.189"	-	1.890"
155125	CAT50AD/B-HC1.25S-3.19 Hydro	1 1/4"	2.165"	2.756"	3.189"	-	2.165"
155060	CAT50AD/B-HC6-80.5 Hydro	6mm	26mm	50mm	80.5mm	30mm	27mm
155080	CAT50AD/B-HC8-80.5 Hydro	8mm	28mm	50mm	80.5mm	30mm	27mm
155010	CAT50AD/B-HC10-80.5 Hydro	10mm	30mm	50mm	80.5mm	32mm	32mm
155012	CAT50AD/B-HC12-80.5 Hydro	12mm	32mm	50mm	80.5mm	35mm	37mm
155016	CAT50AD/B-HC16-80.5 Hydro	16mm	38mm	50mm	80.5mm	40mm	42mm
155200	CAT50AD/B-HC20-80.5 Hydro	20mm	42mm	50mm	80.5mm	40mm	42mm

## BT30 Hydraulic Toolholders – Inch Size

Part No.	Description	d1	D1	D2	L	L1	L2
153250	BT30AD/B-HC 1/4-2.75 Hydro	1/4"	1.024"	1.772"	2.756"	1.142"	1.063"
153312	BT30AD/B-HC 5/16-2.75 Hydro	5/16"	1.102"	1.772"	2.756"	1.181"	1.063"
153375	BT30AD/B-HC 3/8-2.95 Hydro	3/8"	1.181"	1.772"	2.953"	1.220"	1.260"
153500	BT30AD/B-HC 1/2-3.35 Hydro	1/2"	1.260"	1.772"	3.346"	1.575"	1.457"
153675	BT30AD/B-HC 5/8-3.54 Hydro	5/8"	1.496"	1.772"	3.543"	1.811"	1.654"
153750	BT30AD/B-HC 3/4-3.54 Hydro	3/4"	1.654"	1.772"	3.543"	1.890"	1.654"

## Inch Size Sleeves

Part No.	Description, O.D. - I.D.
625108	HK3/4-1/8" Reduction Sleeve
625316	HK3/4-3/16" Reduction Sleeve
625104	HK3/4-1/4" Reduction Sleeve
625516	HK3/4-5/16" Reduction Sleeve
625308	HK3/4-3/8" Reduction Sleeve
625102	HK3/4-1/2" Reduction Sleeve
625508	HK3/4-5/8" Reduction Sleeve

## HSK63A Hydraulic Toolholders – Inch and Metric

Part No.	Description	d1	D1	D2	L	L1	L2
157250	HSK63A-HC1/4-70 Hydro	1/4"	1.024"	1.969"	2.756"	0.945"	1.063"
158375	HSK63A-HMC3/8-145 Hydro	3/8"	0.945"	2.087"	5.709"	3.543"	1.260"
157500	HSK63A-HC1/2-85 Hydro	1/2"	1.260"	1.969"	3.346"	1.575"	1.457"
158500	HSK63A-HMC1/2-145 Hydro	1/2"	1.024"	1.969"	5.709"	3.543"	1.457"
157750	HSK63A-HC3/4-90 Hydro	3/4"	1.654"	1.969"	3.543"	1.890"	1.654"
157100	HSK63A-HC 1-4.72 Hydro	1.0"	2.244"	2.480"	4.724"	2.323"	1.890"
157125	HSK63A-HC 1.1/4-4.92 Hydro	1 1/4"	2.520"	2.953"	4.921"	2.480"	2.165"
157060	HSK63A-HC6-70 Hydro	6mm	26mm	50mm	70mm	24mm	27mm
157080	HSK63A-HC8-70 Hydro	8mm	28mm	50mm	70mm	25mm	27mm
157010	HSK63A-HC10-80 Hydro	10mm	30mm	50mm	80mm	35mm	32mm
157012	HSK63A-HC12-85 Hydro	12mm	32mm	50mm	85mm	-	37mm
157014	HSK63A-HC14-85 Hydro	14mm	34mm	50mm	85mm	40mm	37mm
157016	HSK63A-HC16-90 Hydro	16mm	38mm	50mm	90mm	46mm	42mm
157018	HSK63A-HC18-90 Hydro	18mm	40mm	50mm	90mm	47mm	42mm
157200	HSK63A-HC20-80 Hydro	20mm	53mm	53mm	80mm	-	42mm
157020	HSK63A-HC20-90 Hydro	20mm	42mm	50mm	90mm	48mm	42mm
157220	HSK63A-HMC20-145 Hydro	20mm	34mm	53mm	145mm	90mm	42mm
157025	HSK63A-HC25-120 Hydro	25mm	57mm	63mm	120mm	54.5mm	48mm
157032	HSK63A-HC32-125 Hydro	32mm	64mm	75mm	125mm	63mm	55mm

## HSK100A Hydraulic Toolholders – Inch and Metric

Part No.	Description	d1	D1	D2	L	L1	L2
159250	HSK100A-HC1/4-75 Hydro	1/4"	1.024"	1.969"	2.953"	1.024"	1.063"
159375	HSK100A-HC3/8-90 Hydro	3/8"	1.181"	1.969"	3.543"	1.654"	1.260"
159500	HSK100A-HC1/2-95 Hydro	1/2"	1.260"	1.969"	3.740"	1.850"	1.457"
159750	HSK100A-HC3/4-105 Hydro	3/4"	1.654"	4.134"	2.323"	1.654"	1.654"
159100	HSK100A-HC1-110 Hydro	1.0"	2.244"	2.480"	4.331"	2.441"	1.890"
159125	HSK100A-HC31 1/4-110 Hydro	1 1/4"	2.520"	2.953"	4.331"	2.441"	2.165"
159200	HSK100A-HC20S-90 Hydro	20mm	53mm	53mm	90mm	-	42mm

## BT40 Hydraulic Toolholders – Inch Size

Part No.	Description	d1	D1	D2	L	L1	L2
156250	BT40AD/B-HC 1/4-3.54 Hydro	1/4"	1.024"	1.772"	3.543"	1.181"	1.063"
156312	BT40AD/B-HC 5/16-3.54 Hydro	5/16"	1.102"	1.772"	3.543"	1.299"	1.063"
156375	BT40AD/B-HC 3/8-3.54 Hydro	3/8"	1.181"	1.772"	3.543"	1.260"	1.260"
156500	BT40AD/B-HC 1/2-3.54 Hydro	1/2"	1.260"	1.772"	3.543"	1.378"	1.457"
156625	BT40AD/B-HC 5/8-3.54 Hydro	5/8"	1.496"	1.890"	3.543"	1.575"	1.654"
156750	BT40AD/B-HC 3/4-3.54 Hydro	3/4"	1.654"	1.890"	3.543"	1.575"	1.654"
156100	BT40AD/B-HC 1-3.94 Hydro	1.0"	1.969"	2.362"	3.937"	1.772"	1.890"

## Metric Size Sleeves

Part No.	Description, O.D. - I.D.
820030	HK20-03 Reduction Sleeve
820040	HK20-04 Reduction Sleeve
820050	HK20-05 Reduction Sleeve
820060	HK20-06 Reduction Sleeve
820080	HK20-08 Reduction Sleeve
820100	HK20-10 Reduction Sleeve
820120	HK20-12 Reduction Sleeve
820140	HK20-14 Reduction Sleeve
820160	HK20-16 Reduction Sleeve