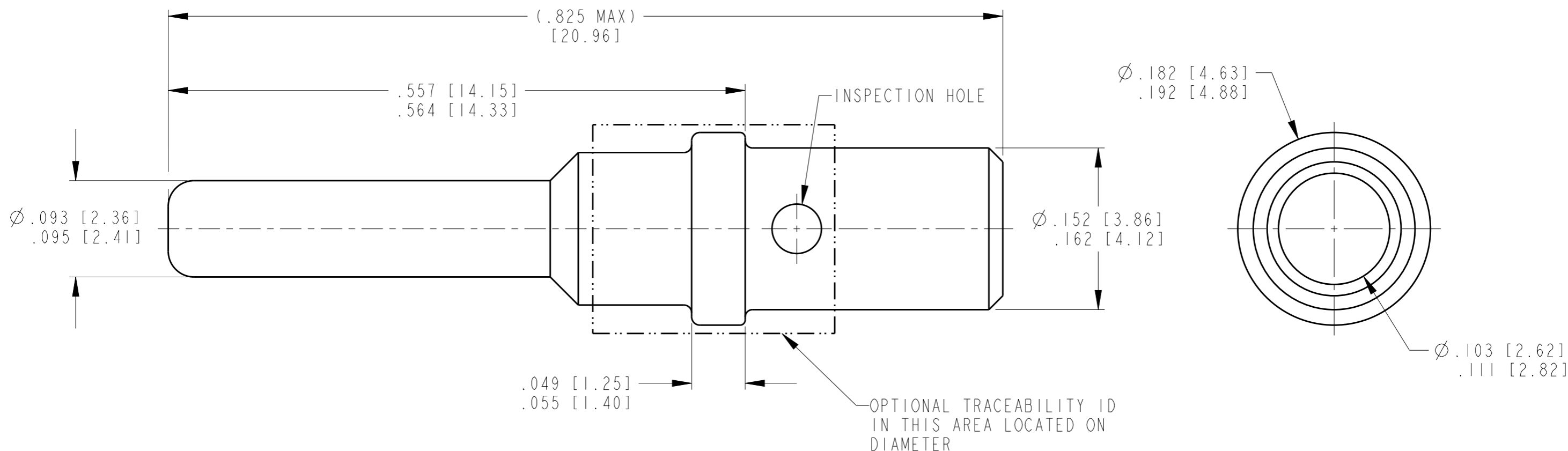


THIS DRAWING IS UNPUBLISHED
 © COPYRIGHT 2005 BY TE CONNECTIVITY ALL RIGHTS RESERVED.
 RELEASED FOR PUBLICATION 2018

REVISIONS					
P	LTR	DESCRIPTION	DATE	DWN	APVD
	A	REVISED PER PCN E-18-001206	24JAN2018	JA	DM
	AI	REVISED PER PCN E-19-018080	19NOV2019	MK	DM



TE INTERNAL PN	DEUTSCH PN	PLATING
0460-204-12141	0460-204-12141	NICKEL

(AI) 1. SEE APPLICATION SPECIFICATION 114-151004 FOR CRIMP TOOLS AND WIRE RANGE

NOTES:

THIS DRAWING IS A CONTROLLED DOCUMENT.		DWN	J. APOSTOL	08MAR2005	TE TE Connectivity
DIMENSIONS: INCHES [mm]		CHK	B. BYFORD	14MAR2005	
		APVD	R. REED	14MAR2005	
		TOLERANCES UNLESS OTHERWISE SPECIFIED:		NAME	
MATERIAL		FINISH		PRODUCT SPEC	108-151004
				APPLICATION SPEC	114-151004
				WEIGHT	1.27g
				CUSTOMER DRAWING	SCALE 10:1
				SIZE	A3
				CAGE CODE	4AFU8
				DRAWING NO	0460-204-12XX
				RESTRICTED TO	
				SHEET	1 OF 1
				REV	AI