



# PRODUCT CATALOG

**PLASMA**

**MIG/TIG**

**OXY-FUEL**

**ACCESSORIES**

**THERMACUT**<sup>®</sup>  
THE CUTTING COMPANY<sup>®</sup>



# A PROGRESSIVE COMPANY FOR AN EVOLVING MARKET

Over a period of 25 years the Thermacut Group has undergone a multitude of changes. Thermacut (originally Tatra Imports Inc.) was incorporated in Claremont, New Hampshire in 1990 and sold under the brand ZAP Plasmatherm, a reseller of plasma consumables from local vendors directly to end-users. The company began operating with three employees, conducting business through telephone sales. In 1992, the company opened a small manufacturing facility and a sales office in the Czech Republic in 1996 to produce and sell plasma consumables and torches directly into the Eastern European market and through distributors in Western Europe under the brand name Thermacut utilizing both inside and outside sales representatives. And in 1993 the Thermacut brand was introduced into North America and sold through distributors.

In January of 1999 STK Gesellschaft für Schweißtechnik GmbH (a holding company 100% owned by the IBG Group of Cologne Germany) purchased 80% of the shares of Thermacut and in 2002 completed the acquisition to become the 100% shareholder of the Thermacut Group.

Since those early and humble beginnings, Thermacut has evolved into a major force in providing plasma torches and consumables through multiple sales channels supported by fourteen sales subsidiaries and with a close partnership with Abicor-Binzel (an IBG owned company) with locations in India, the Middle East, Turkey, Belarus, Denmark, Norway, Sweden, Finland, United Kingdom, Japan, South Korea, Vietnam and Australia. Based on customer demand Thermacut has also introduced TIG/WIG, MIG/MAG and Oxy-fuel products and produces those products at its modern ISO 9001 production facility located in Uherske Hradiste of the Czech Republic.

The Thermacut Group has focused its efforts in providing high quality direct replacement consumable and torch product lines that will meet or exceed the expectations of our valued customers, cutting and welding metals thermally throughout the world. But as our customer base expanded,

their expectations and demands also increased, where in 2005 Thermacut expanded its product portfolio with the addition of advanced consumables, which have included products such as the Silver Plus™, Silver Pro™ and SilverEX-® electrodes, plus the patented TungstenEX-™ nozzles. At that time to signify our advanced products offerings we also updated our corporate image, introducing a new logo, a new orange and black color scheme, and a new slogan: "Advanced Consumables" and a mission to be the Providers of Advanced Cutting and Welding Consumables Worldwide.

By 2013, the Thermacut Group continued to expand and evolve in the thermal cutting and welding marketplace. In December of 2012 the Thermacut Group concluded the purchase of the HOLMA® AG, a producer of premium quality laser consumables, which enhances our customer's ongoing requests for a high quality laser consumable brand and a further expansion of Thermacut's plasma cutting and oxy-fuel consumable product portfolio.

In September 2013 at the SCHWEISSEN & SCHNEIDEN Exposition, the Thermacut Group evolved once again with the introduction of a line of plasma cutting systems for both manual and mechanized plasma processes up to 65 mm thickness. The initial introduction will feature a 105 amp system. Thermacut also had the 65 and 85 amp systems on display.

During 2015 the line of plasma systems will be rolled out on a planned basis, which will range from 30 amps to 125 amps. This change will mark a major commitment to our valued customers throughout the world and thrust Thermacut into the ranks of a full line plasma OEM.

Recognizing this continuing evolution is important, so the Thermacut Group has updated its logo, change its' slogan to "The Cutting Company" and further its mission by becoming a "Global Provider of Thermal Cutting Technology".



**THERMACUT**®  
THE CUTTING COMPANY™

## **CUSTOMER SERVICE DEPARTMENT:**

TEL. (800) 932-8312 OR (603) 542-6715  
FAX (800) 972-6255 OR (603) 542-2867  
E-MAIL: SALES@THERMACUT.COM

## **SHIPPING:**

SAME-DAY (ORDERS PLACED BY 3:00 PM E.S.T.)  
MINIMUM ORDER: \$50.00

## **FREIGHT POLICY, CONTINENTAL USA:**

ORDERS OVER \$500 SHIP FREE VIA UPS GROUND OR TRUCK SERVICE (OUR CHOICE).  
BACK ORDERS WILL BE SHIPPED FREE VIA UPS GROUND OR AIR FOR TWO (2) DAY DELIVERY (OUR CHOICE).

## **FREIGHT POLICY, HAWAII, ALASKA, PUERTO RICO:**

CUSTOMER PAYS ALL FREIGHT CHARGES.

## **FREIGHT POLICY, CANADA:**

ORDERS OVER \$500 SHIP FREE VIA UPS CANADA STANDARD OR TRUCK SERVICE (OUR CHOICE). BACK ORDERS  
WILL BE SHIPPED VIA FREE UPS GROUND OR AIR FOR TWO (2) DAY DELIVERY (OUR CHOICE).  
ALL OTHER ORDERS OR SHIPPING METHODS THE CUSTOMER PAYS ALL FREIGHT CHARGES.

## **RETURNS:**

RETURN GOODS AUTHORIZATION (RGA) REQUIRED. SPECIAL ORDER, OEM ITEMS, OR PURCHASES OVER 1-YEAR  
OLD ARE NON-RETURNABLE. RETURNS MUST BE IN ORIGINAL PACKAGING WITH LEGIBLE LOT NUMBERS; RETURNED  
TORCHES MUST HAVE USED CONSUMABLES "IN-PLACE" (SEE WARRANTY SECTION).  
CREDITS MUST BE USED WITHIN 90 DAYS OF ISSUANCE.

## **APPROVALS/PAYMENT METHODS:**

FAST CREDIT APPROVAL NET-30 TERMS, C.O.D, VISA, MASTER CARD, AMERICAN EXPRESS, DISCOVER. OVERDUE AC-  
COUNTS ARE SUBJECT TO CREDIT HOLD.

## **TECHNICAL SUPPORT:**

CONTACT CUSTOMER SERVICE DEPARTMENT

## **PRICING:**

PRICES SUBJECT TO CHANGE WITHOUT NOTICE. QUOTES GOOD FOR 30 DAYS.

## **TERMS & CONDITIONS:**

THERMACUT, INC. OFFERS TO SELL PRODUCTS TO YOU UNDER OUR STANDARD TERMS AND CONDITIONS. OUR  
STANDARD TERMS AND CONDITIONS CAN BE VIEWED ON OUR WEBSITE [WWW.THERMACUT.COM](http://WWW.THERMACUT.COM), OR YOU CAN  
CALL (603) 542-6715 AND REQUEST THAT THEY BE MAILED TO YOU. WE OBJECT TO ANY DIFFERENT OR ADDI-  
TIONAL TERMS.

## LIMITED WARRANTY

Statement of Limited Warranty: Subject to the terms and conditions below, Thermacut, Inc., Claremont, New Hampshire, (Seller) warrants to the original Buyer that its new Thermacut products sold after the effective date of this limited warranty, April 24, 2005 will be free of defects in materials and workmanship at the time it is shipped by Seller. For purposes of this warranty, a defective item is an item that is found by Seller to have been defective in materials or workmanship, if the defect materially impairs the value of the goods to Buyer. If Buyer shall have approved a sample or drawing of, or specifications for, the goods, then the goods shall not be defective to the extent they conform to the sample, drawings, or specifications

Limitation of Liability: Seller's liability under this warranty shall be limited at its sole option to repairing or replacing any defective goods at Seller's factory or issuing a credit to Buyer for the purchase price of the defective goods. In any case, Seller shall have no liability under this warranty except for goods returned to Seller's factory, freight prepaid, and with a valid Returned Goods Authorization number within the warranty period (see below) after delivery of the goods to Buyer. If Buyer does not return the defective goods to Seller within the warranty period after the delivery of the goods to the Buyer, any claim for breach of warranty shall be conclusively deemed to have been waived and Seller shall not be liable under this warranty. Seller's acceptance of any goods returned shall not be deemed an admission that the goods are defective, or in breach of any warranty, and if Seller determines that the goods are not defective based on Seller's accepted method of testing, the goods shall be reshipped to Buyer at Buyer's expense. All parts returned and retained by Seller shall become Seller's property. Seller will not accept or be liable for back charges for labor or repair costs incurred by Buyer without the prior written consent of Seller. This warranty shall not apply to any goods that have been altered or repaired, or that have been subject to misuse, negligence or accident, including, without limitation, use and operation of the goods while any parts are loose, broken or damaged or have been used with parts other than original Seller parts, which may affect performance or safety. Seller's liability for any defect in the goods shall not exceed the purchase price of the goods

THE WARRANTIES HEREIN ARE IN LIEU OF ALL WARRANTIES, EXPRESS, IMPLIED, STATUTORY OR OTHERWISE. IN PARTICULAR, SELLER MAKES NO WARRANTY OF MERCHANTABILITY OR FITNESS FOR A PARTICULAR PURPOSE. Seller shall not be liable for incidental or consequential damages arising from any product defect, delay, recall, non-delivery or other breach. Seller shall not be liable to Buyer in tort, including, but not limited to any claim for negligent manufacture of the goods or for the omission of any warning there-from.

No employee, representative, agent or distributor of Seller except the President of Seller has authority to modify, expand or extend this warranty, to waive any of the limitations or exclusions, or to make any different or additional warranties with respect to the goods. On any resale of the goods, Buyer shall contractually limit its customer's rights and remedies against both Buyer and Seller to the same extent as Buyer's rights and remedies are limited under this warranty. Notwithstanding any other provision in this agreement, Seller shall not be liable to a customer of Buyer for any modification, extension or expansion of this warranty by Buyer beyond the scope of this warranty or for any different or additional warranties made by Buyer with respect to the goods.

Plasma Torches with or without leads .....	1 Year
Plasma Torch Replacement Parts .....	90 Days
Plasma Consumable Components * .....	Defect only
Laser Replacement Parts.....	90 Days
Oxy-Fuel Replacement Parts.....	90 Days
TIG Torches with or without leads .....	90 Days
TIG Torch Replacement Parts .....	90 Days
TIG Consumable Components * .....	Defect only
MIG Torches and Leads .....	90 Days
MIG Torch Replacement Parts .....	90 Days
MIG Consumable Components * .....	Defect only
OEM Torches and leads .....	No Warranty Allowed
OEM consumable components .....	No Warranty Allowed

\*Thermacut is not responsible for the replacement of any consumable components due to normal wear.

Obligations of the User: These products will perform in accordance to the manufacturers or OEM requirements when installed, operated, maintained and repaired as recommended. Parts that are broken, missing, worn, distorted or contaminated should be repaired immediately. Should such a repair or replacement become necessary Thermacut recommends that a request be made to an Authorized Distributor from whom the product was purchased. Torches returned to Thermacut for warranty due to the failure to conform must be accompanied by the torch parts used at the time of non-conformance. Failure to comply will void the warranty.



# TABLE OF CONTENTS

## PLASMA

### REPLACEMENT PARTS SUITABLE FOR AJAN®

TORCH	PAGE
HP260A™ mild steel	11

### REPLACEMENT PARTS SUITABLE FOR ESAB®/L-TEC®

TORCH	PAGE
PT-15™/PT-15XL™	12-15
PT-19XLS™/PT-19XL™	16-17
PT-23™	18
PT-24™	19
PT-27™	20-21
PT-31XL™	22-23
PT-32™	24
PT-36™	26-27
PT-600™	28-29

### REPLACEMENT PARTS SUITABLE FOR HYPERTHERM®

TORCH	SYSTEM	PAGE
PAC®120/125T	MAX®40cs/MAX®42/MAX®43	30
PAC®140/M	MAX®40	32-33
PAC®140/M	HT®40	34-35
PAC®130/M	MAX®70/MAX®80/MAX®100	36-37
PAC®123T/M	POWERMAX® 600	38
PAC®121T/M / PAC®125T/M	POWERMAX® 800	39
PAC®125T/M	POWERMAX® 900	40
T60™/T60M™, T80™/T80M™, T100™/T100M™ (Consumables)	POWERMAX® 1000 / POWERMAX® 1250 / POWERMAX® 1650	42-43
T60™/T60M™ torch, T80™/T80M™ torch, T100™/T100M™ torch (Torches & Leads)	POWERMAX® 1000 / POWERMAX® 1250 / POWERMAX® 1650	44-45
T60M™/T80M™ machine torch, T60™/T80™ hand torch (Torch Parts)	POWERMAX® 1000, POWERMAX® 1250	46
T100™/T100M™ machine/hand (Torch Parts)	POWERMAX® 1650	47
T30v™ hand torch	POWERMAX® 30	48

# TABLE OF CONTENTS

## PLASMA

### REPLACEMENT PARTS SUITABLE FOR HYPERTHERM®

TORCH	SYSTEM	PAGE
T30v™/T45v™ hand torch, T45m™ machine torch	POWERMAX® 45	49
DURAMAX® hand torch	POWERMAX® 45 XP	50-51
DURAMAX® hand torch, DURAMAX® machine torch (Consumables)	POWERMAX® 65 / POWERMAX® 85 / POWERMAX® 105	52-53
DURAMAX® hand torch, DURAMAX® machine torch (Torch & Leads)	POWERMAX® 65 / POWERMAX® 85 / POWERMAX® 105	54-55
PAC®200/T	HT®2000 HySpeed®	56-57
For HT®2000 ms, ss, al	HyPro™2000/MaxPro™200 upgrade torch	58-59
PAC®200T/E	MAX®200	60-61
For MAX®200 ms, ss, al	HyPro™2000/MaxPro™200 upgrade torch	62-63
HT®400/ PAC®170/PAC®600/ PAC®620	HT®400, HT®4000, HT®4001	64-65
MODEL 500®	PAC®500	66
PAC®182/186/190	HD®1070/HD®3070 HyDefinition®	67
HPR®130/HPR®260 (MS)	HPR®130/HPR®260	68-69
HPR®130/HPR®260 (SS)	HPR®130/HPR®260	70-71
HPR®130/HPR®260 (AL)	HPR®130/HPR®260	72-73
Torches and Cable leads	HPR®130/HPR®260	74-75
HPR®130XD/HPR®260XD/HPR®400XD (MS)	HPR®130XD/HPR®260XD/HPR®400XD	76-77
HPR®130XD/HPR®260XD/HPR®400XD (SS)	HPR®130XD/HPR®260XD/HPR®400XD	78-79
HPR®130XD/HPR®260XD/HPR®400XD (AL)	HPR®130XD/HPR®260XD/HPR®400XD	80-81
Torches and Cable leads	HPR®130XD/HPR®260XD/HPR®400XD	82-83
HSD®130 (MS)	HySpeed® Plasma	84
HSD®130 (SS)	HySpeed® Plasma	85
HSD®130 (AL)	HySpeed® Plasma	86



# TABLE OF CONTENTS

## PLASMA

### REPLACEMENT PARTS SUITABLE FOR KALIBURN®

TORCH	SYSTEM	PAGE
SPIRIT® 150a, 200a, 275a, 400a, ProLine™ 2150, 2200, 2260 (MS)	SPIRIT®, ProLine™	88-89
SPIRIT® 150a, 200a, 275a, 400a, ProLine™ 2150, 2200, 2260 (SS)	SPIRIT®, ProLine™	90-91
SPIRIT® 150a, 200a, 275a, 400a, ProLine™ 2150, 2200, 2260 (AL)	SPIRIT®, ProLine™	92-93

### REPLACEMENT PARTS SUITABLE FOR KJELLBERG®

TORCH	SYSTEM	PAGE
PB-S45W™	PA-S20W™, PA-S25W™, PA-S40W™, PA-S45W™, PA-S70W™	94-95
PB-S47™	FineFocus® 450	96-97
PerCut® 100, PerCut® 101	HiFocus® 100	98-99
PerCut® 160 / PerCut® 170	HiFocus® 160i	100-103
PerCut® 200 / PerCut® 210 / PerCut® 450M / PerCut® 451M	HiFocus® 160i, HiFocus® 280i, HiFocus® 360i, HiFocus® 440i	104-107
PerCut® 370.1, PerCut® 370.2	HiFocus® 280 / HiFocus® 360, HiFocus® 440	108-109
PA-S75™/PB-S75™/PB-S76™/PB-S77™	FineFocus® 800 / FineFocus® 900	110
PB-S80™	FineFocus® 800 / FineFocus® 900	111

### REPLACEMENT PARTS SUITABLE FOR KOMATSU®

TORCH	SYSTEM	PAGE
RASOR® KCR-1251, 12714, 9714, 0951	G990™, G9120™ TORCH, 90A	112

### REPLACEMENT PARTS SUITABLE FOR LINCOLN ELECTRIC®

LINCOLN ELECTRIC® TORCH	POWER SUPPLY	PAGE
PCT-20/PCT-80	Pro-Cut® 25, Pro-Cut® 55, Pro-Cut® 80	113
PTR-55L	Pro-Cut® 55	114

# TABLE OF CONTENTS

## PLASMA

### REPLACEMENT PARTS SUITABLE FOR THERMAL DYNAMICS®

TORCH	POWER SUPPLY	PAGE
PCH/M 10/25/38	Drag-Gun®, PakMaster™25, EconoPak™25	115
PCH/M 28/PCH-26	PakMaster™50XL, PakMaster™50XL Plus, EconoPak™50	116
PCH/M 35/40	StakPak™35, PakMaster™50	117
PCH/M 75, 76	PakMaster™75/75XL PLUS, 100XL PLUS, EconoPak™100, Cutmaster™80XL™	118
PCH42/62/102/1-Torch®	(various)	119
PCH/M 51	PAK® 3XR™, 5XR™, 5XT™, 6XR™, 625XR™, 750XR™, Dynapak 4Xi™, 6Xi™	120
PCH/M 52	PAK® 5XR™, 6XR™, 7XR™, 8XR™, 10XR™, 625XR™, 750XR™, 1000XR™, 1250XR™	121
PCH/M-6B	PAK® 44,45	122-133
PCH/M 150	MERLIN™15XC	124
MAXIMIZER™300/ MERLIN™6000/6000GST	MERLIN™1000/3000/6000, PAK®15XC	125
PCH/M 120	PakMaster™150XL	
PWH/M 2A	ULTIMA™150	126
PWH/M 3A	ULTIMA™150	128-129
PWH/M 4A	ULTIMA™150	130-131
PWM 300	ULTIMA™150	132

## ACCESSORIES

MANUFACTURER - THERMACUT	PAGE
Coolant Liquid, Anti-Spatter Spray, Plasma Table Fluid	134
Electrical Conductivity Meter	135
Electrode Pit-Depth Gauge	135
Filter-EX	136
Heat Shield Grease	136
Silicone Lubricant	137
Safety Glass Shield	137



# TABLE OF CONTENTS

## OXY-FUEL CUTTING

### REPLACEMENT PARTS SUITABLE FOR:

MANUFACTURER	PAGE
AIRCO®, OXWELD® MODEL	139
HARRIS® MODEL	140
PUROX®, SMITH® MODEL	141
VICTOR® MODEL	142
ESAB® MODEL	143-144
MESSER® MODEL	145-148

## MIG-TIG WELDING

### REPLACEMENT PARTS SUITABLE FOR:

MIG SYSTEM	PAGE
BERNARD®	151-152
COBRAMATIC®	153
ESAB®	154
LINCOLN®	155-156
MILLER®	157-158
TREGASKISS®	159
TWECO®	160-165
Back-end Plugs	166

TIG SYSTEM	PAGE
TUNGSTENS	167
TORCHES 9, 20, 24, 25	168-169
TORCHES 17, 18, 26	170-171
BACK CAPS, INSULATORS, COLLETS, COLLET BODIES, GAS LENSES, POWER CABLE ADAPTERS, ALUMINA CUPS	172-174

THERMACUT®, FHT-EX® AND EX-TRAFIRE® ARE THE REGISTERED TRADEMARKS OF THERMACUT K.S. AND MAY BE REGISTERED IN THE CZECH REPUBLIC AND/OR OTHER COUNTRIES. ALL OTHER TRADEMARKS ARE PROPERTIES OF THEIR RESPECTIVE OWNERS. THERMACUT IS NO WAY AFFILIATED WITH AIRCO®, OXWELD®, HARRIS®, VICTOR®, PUROX®, SMITH®, MESSER®, BERNARD®, COBRAMATIC®, ESAB®, LINCOLN®, MILLER®, TREGASKISS®, TWECO®.

A grayscale photograph of a worker in a protective suit and mask operating a plasma cutting machine. The machine is positioned over a metal workpiece, and a bright plasma arc is visible at the cutting point. The background shows an industrial environment with various components and structures.

# PLASMA CUTTING



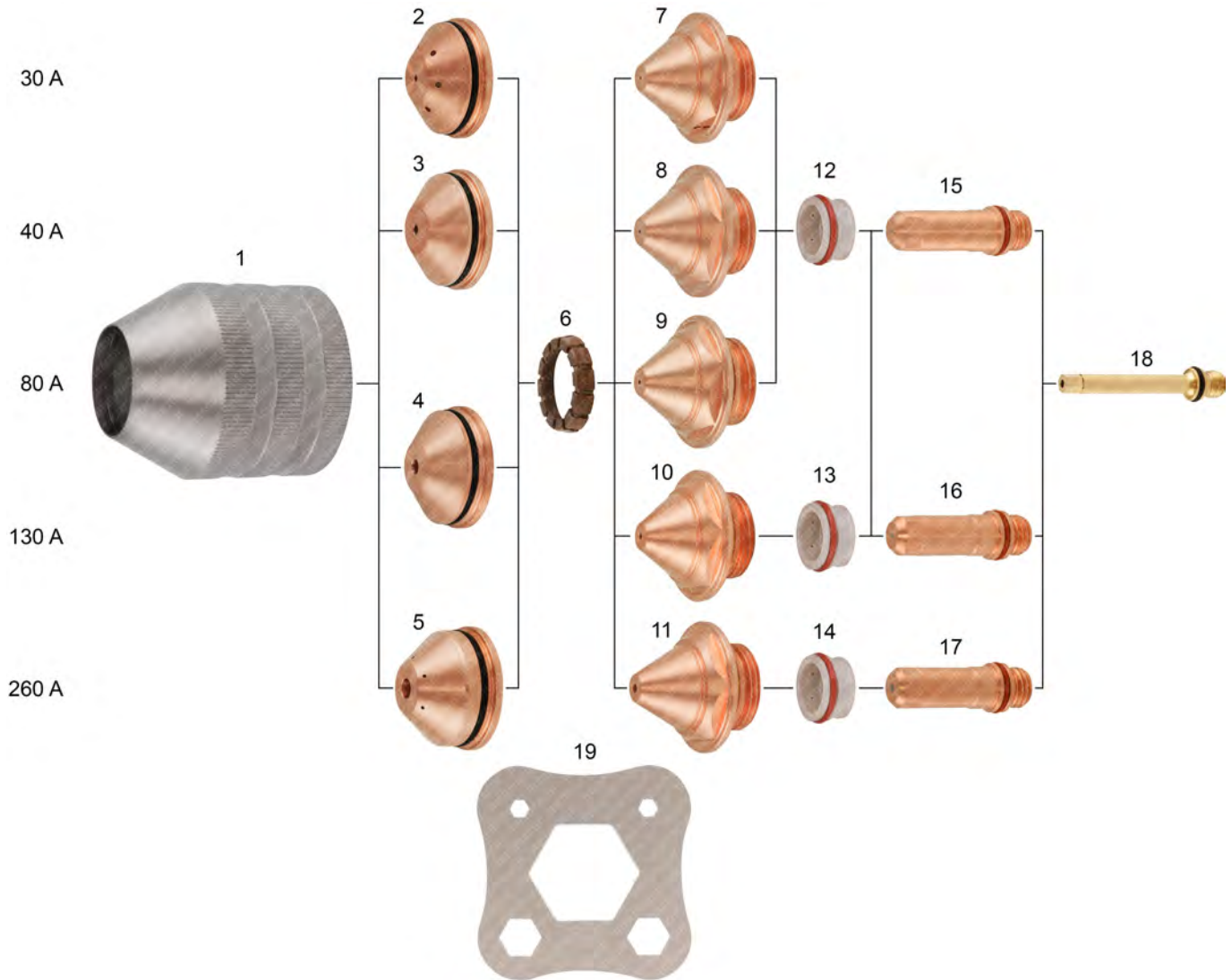
# REPLACEMENT PARTS SUITABLE FOR

## AJAN®



PRODUCT BROCHURE WITH DETAILS AT  
WWW.THERMACUT.COM

HP260A™ mild steel



Item	Part No.	Ref. No.	Description	Std. Pkg.	Item	Part No.	Ref. No.	Description	Std. Pkg.
*1.	T-11408	SC2-UR	Shield Cap 30–260A	1	11.	T-11333	N7	Nozzle 260A	1
2.	T-11334	S1	Shield 30A	10	*12.	T-11338	SW1-UR	Swirl Ring 30–80A	1
3.	T-11335	S2	Shield 40A	10	*13.	T-11339	SW2-UR	Swirl Ring 130A	1
4.	T-11336	S3	Shield 80/130A	10	*14.	T-11340	SW3-UR	Swirl Ring 260A	1
5.	T-11337	S4	Shield 260A	5	15.	T-11341	E0	Electrode 30–80A	5
6.	T-11328	G1	Gas Ring 30–260A	1	16.	T-11342	E1	Electrode 130A	5
7.	T-11329	N1	Nozzle 30A	1	17.	T-11343	E3	Electrode 260A	5
8.	T-11330	N2	Nozzle 40A	1	18.	T-11327	B1	Cooling Tube	1
9.	T-11331	N3	Nozzle 80A	1	*19.	T-11351	10007-106535-UR	Consumable removal tool	1
10.	T-11332	N5	Nozzle 130A	1					

\* FULLY INTERCHANGEABLE AND COMPATIBLE WITH ORIGINAL PARTS, BUT DIFFERS FROM ORIGINAL DESIGN

THERMACUT®, FHT-EX® AND EX-TRAFIRE® ARE REGISTERED TRADEMARKS OF THERMACUT, K. S. AND MAY BE REGISTERED IN CZECH REPUBLIC AND/OR OTHER COUNTRIES. ALL OTHER TRADEMARKS ARE PROPERTIES OF THEIR RESPECTIVE OWNERS. THERMACUT IS NO WAY AFFILIATED WITH AJAN®.

MOST THERMACUT PARTS ARE MADE FOR OR BY AN IBG COMPANY. PARTS INDICATED WITH A OEM ARE ORIGINAL PARTS MANUFACTURED BY THE ABOVE NAMED MANUFACTURER AND ARE BEING RESOLD BY THERMACUT. THERMACUT RESERVES THE RIGHT TO SUBSTITUTE OEM PARTS IN PLACE OF THERMACUT PARTS.

VALID FROM JULY 2017 • PREVIOUS VERSION IS NO LONGER VALID. • © COPYRIGHT 2017 BY THERMACUT® CZECH REPUBLIC. ALL RIGHTS RESERVED.

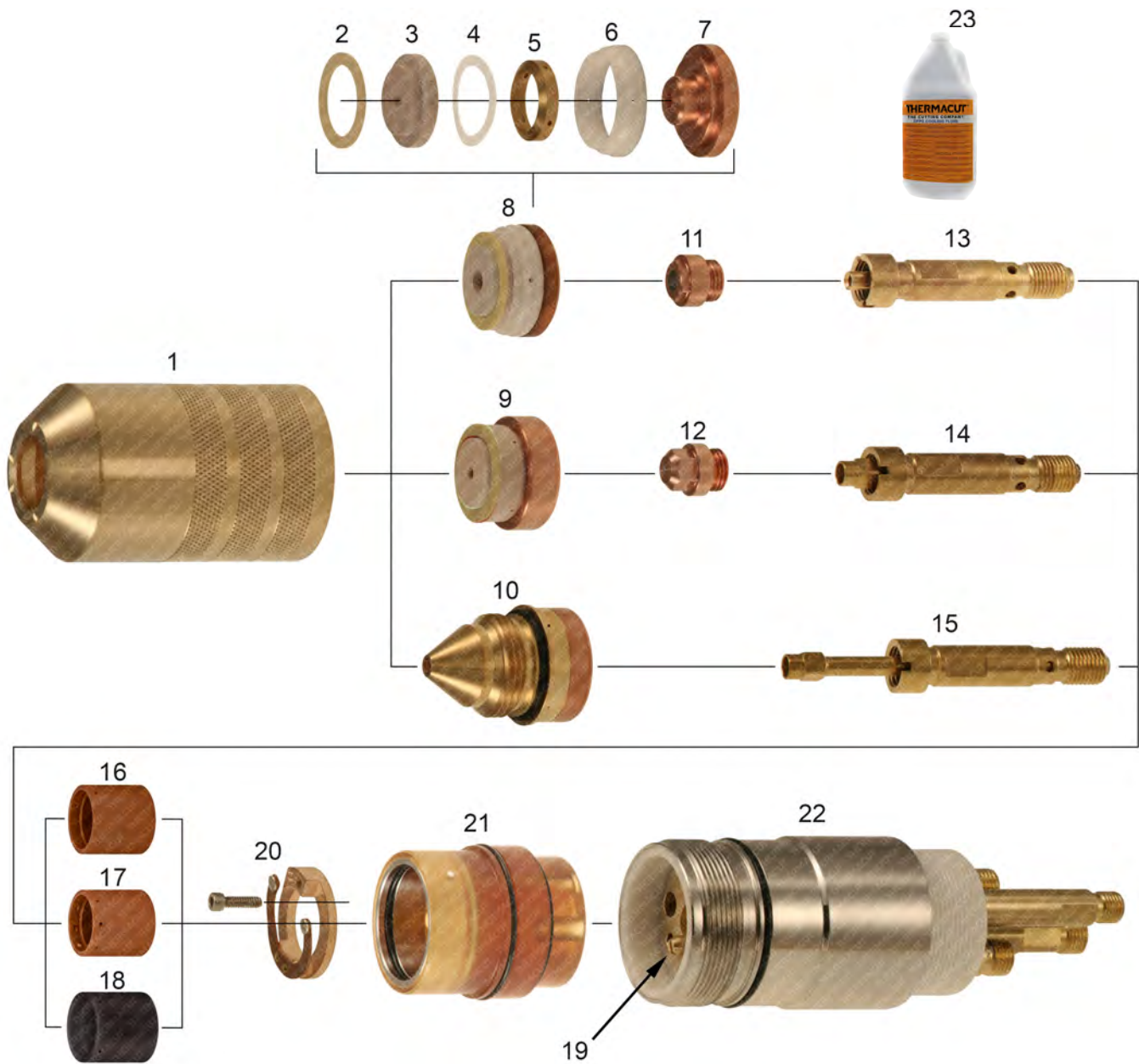
**THERMACUT®**  
THE CUTTING COMPANY

THERMACUT, INC  
153 CHARLESTOWN ROAD  
CLAREMONT, NH 03743

WWW.THERMACUT.COM  
(800) 932-8312 TEL  
(800) 972-6255 FAX

# REPLACEMENT PARTS SUITABLE FOR ESAB®/L-TEC®

PT-15™, PT-15XL™



THERMACUT®, FHT-EX® AND EX-TRAFIRE® ARE REGISTERED TRADEMARKS OF THERMACUT, K. S. AND MAY BE REGISTERED IN CZECH REPUBLIC AND/OR OTHER COUNTRIES. ALL OTHER TRADEMARKS ARE PROPERTIES OF THEIR RESPECTIVE OWNERS. THERMACUT IS NO WAY AFFILIATED WITH ESAB®/L-TEC®. MOST THERMACUT PARTS ARE MADE FOR OR BY AN IBG COMPANY. PARTS INDICATED WITH A OEM ARE ORIGINAL PARTS MANUFACTURED BY THE ABOVE NAMED MANUFACTURER AND ARE BEING RESOLD BY THERMACUT. THERMACUT RESERVES THE RIGHT TO SUBSTITUTE OEM PARTS IN PLACE OF THERMACUT PARTS. VALID FROM JULY 2017 • PREVIOUS VERSION IS NO LONGER VALID. • © COPYRIGHT 2017 BY THERMACUT® CZECH REPUBLIC. ALL RIGHTS RESERVED.



# REPLACEMENT PARTS SUITABLE FOR ESAB®/L-TEC®

PT-15™, PT-15XL™

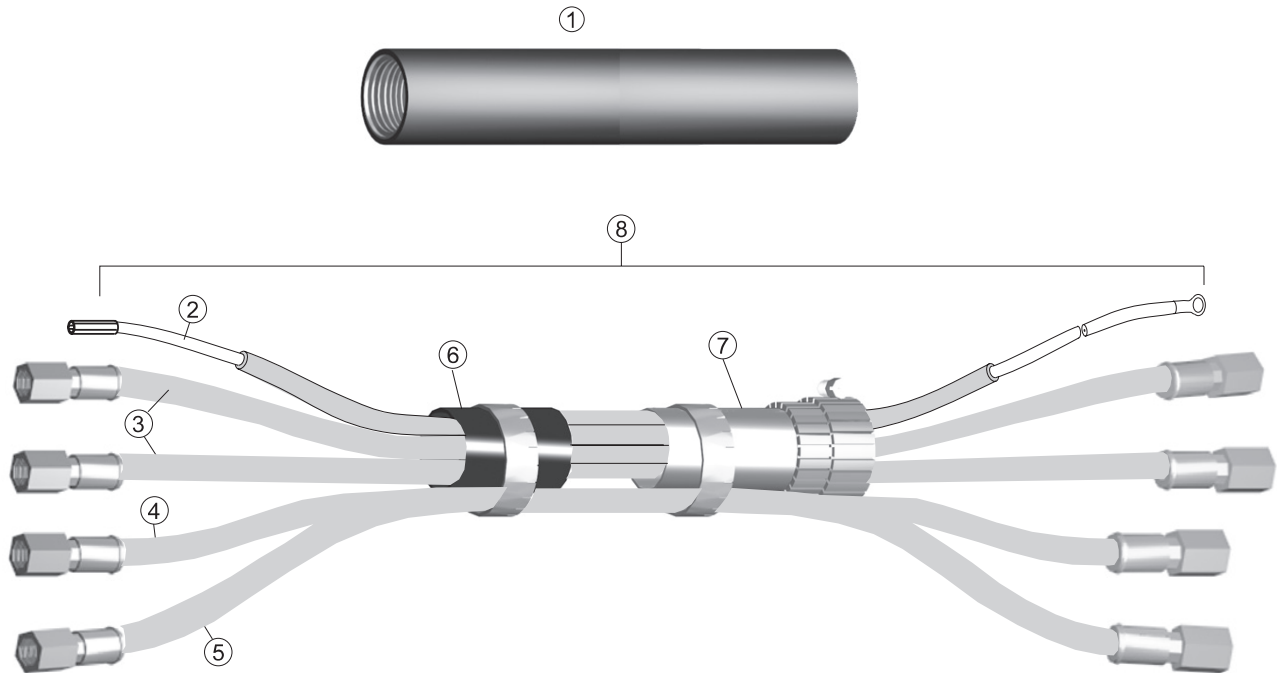
Item	Part No.	Ref. No.	Description	Std. Pkg.	Item	Part No.	Ref. No.	Description	Std. Pkg.
1.	T-0355	20758	Nozzle Retaining Cup, O <sub>2</sub>	1	9.	T-1716	35664	Nozzle 340A, O <sub>2</sub>	1
NS	T-0356	996230	Retaining Cup	1		T-0339	20751	Nozzle 260A, O <sub>2</sub>	1
2.	T-0354	996628	Gasket	5		T-1715	35662	Nozzle 300A, O <sub>2</sub>	1
3.	T-0350	2075693	Insulator, 0,140"	1	10.	T-10209	21962	Nozzle Bevel 300A, O <sub>2</sub>	1
	T-0351	2075617	Insulator, 0,180"	5	NS	T-11325	0558005866	Nozzle 400A O <sub>2</sub> , Bevel	1
	T-0352	2075606	Insulator, 0,225"	5	11.	T-0328	600236	Electrode 250-1000A, N <sub>2</sub>	5
	T-0353	2075607	Insulator, 0,260"	1	12.	T-0329	20763	Electrode 260A, O <sub>2</sub>	5
	T-1604	2075588	Insulator, 0,500"	5	13.	T-0326	2075343	Electrode Holder	1
NS	T-10683	20409-UR	Insulator	5	14.	T-0327	20398	Electrode Holder	1
4.	T-0349	996619	Spacer	1	15.	T-1253	34084	Electrode Holder	1
5.	T-0346	2075584	Swirl Ring, 4 Hole, CW	1	16.	T-0322	948142	Gas Swirl Baffle, 4 Hole, CW	1
	PT-10567	2075616	Swirl Ring, 4 Hole, CCW	1	17.	T-2019	35660	Gas Swirl Baffle, 8 Hole, CW	1
6.	T-0348	996618	Centering Sleeve	1	18.	T-1869	1361201	Gas Swirl Baffle, 8 Hole, CW	1
7.	T-0345	19810	Nozzle Base 875-1000A	1	19.	T-1247	996242	Locating Pin	5
	T-0342	2075608	Nozzle Base 400A	1	20.	T-1248	21940 OEM	Contact Ring	1
	T-0343	2075609	Nozzle Base 600A	1	21.	T-0319	20755	Insulator	1
	T-0344	2075610	Nozzle Base 750A	1	22.	T-0318	20754	Torch Body, Machine	1
8.	T-0332	2075611	Nozzle 400A, N <sub>2</sub>	1	NS	KT-1447	20762	PT-15XL™ Torch with Leads 1,8m (6')	1
	T-1966	2075612	Nozzle 600A, N <sub>2</sub>	1	NS	KT-1159	000128	PT-15XL™ Cable Leads, 1,8m (6')	1
	T-0333	2075614	Nozzle 400A, N <sub>2</sub> , CCW	1	NS	KT-1118	K.PT-15XL3M.K	PT-15XL™ Cable Leads, 3m (10')	1
	T-9645	2075615	Nozzle 600A, N <sub>2</sub> , CCW	1	NS	KT-1160	000124	PT-15XL™ Cable Leads, 5,1m (17')	1
	T-10321	20751-UR	Nozzle 260A, O <sub>2</sub>	1	NS	KT-1158	000129	PT-15XL™ Cable Leads, 6,1m (20')	1
	T-0338	2075587	Nozzle 875-1000A, H35	1	NS	KT-1105	000328	PT-15XL™ Cable Leads, 7,6m (25')	1
	T-1976	2075691	Nozzle 250A, N <sub>2</sub>	1	23.	Coolant Liquid. Details on Accessories page..			
	T-3584	2075611-2	Nozzle 400A, N <sub>2</sub>	1					

\*\* A UNIQUE DESIGN WHICH ENHANCES PERFORMANCE AND DIFFERS FROM OEM DESIGNS  
CCW COUNTER CLOCK WISE GAS SWIRLING, USE OF CCW PARTS WILL MAKE CUT ANGLE ON THE OPPOSITE SIDE, THAN WITH  
STANDARD CLOCK WISE (CW) SWIRLING PARTS.

THERMACUT®, FHT-EX® AND EX-TRAFIRE® ARE REGISTERED TRADEMARKS OF THERMACUT, K. S. AND MAY BE REGISTERED IN CZECH REPUBLIC AND/OR OTHER COUNTRIES. ALL OTHER TRADEMARKS ARE PROPERTIES OF THEIR RESPECTIVE OWNERS. THERMACUT IS NO WAY AFFILIATED WITH ESAB®/L-TEC®.  
MOST THERMACUT PARTS ARE MADE FOR OR BY AN IBG COMPANY. PARTS INDICATED WITH A OEM ARE ORIGINAL PARTS MANUFACTURED BY THE ABOVE NAMED MANUFACTURER AND ARE BEING RESOLD BY THERMACUT. THERMACUT RESERVES THE RIGHT TO SUBSTITUTE OEM PARTS IN PLACE OF THERMACUT PARTS.  
VALID FROM JULY 2017 • PREVIOUS VERSION IS NO LONGER VALID. • © COPYRIGHT 2017 BY THERMACUT® CZECH REPUBLIC. ALL RIGHTS RESERVED.

# REPLACEMENT PARTS SUITABLE FOR ESAB®/L-TEC®

PT-15®, PT-15XL® Torch



THERMACUT®, FHT-EX® AND EX-TRAFIRE® ARE REGISTERED TRADEMARKS OF THERMACUT, K. S. AND MAY BE REGISTERED IN CZECH REPUBLIC AND/OR OTHER COUNTRIES. ALL OTHER TRADEMARKS ARE PROPERTIES OF THEIR RESPECTIVE OWNERS. THERMACUT IS NO WAY AFFILIATED WITH ESAB®/L-TEC®. MOST THERMACUT PARTS ARE MADE FOR OR BY AN IBG COMPANY. PARTS INDICATED WITH A OEM ARE ORIGINAL PARTS MANUFACTURED BY THE ABOVE NAMED MANUFACTURER AND ARE BEING RESOLD BY THERMACUT. THERMACUT RESERVES THE RIGHT TO SUBSTITUTE OEM PARTS IN PLACE OF THERMACUT PARTS. VALID FROM JULY 2017 • PREVIOUS VERSION IS NO LONGER VALID. • © COPYRIGHT 2017 BY THERMACUT® CZECH REPUBLIC. ALL RIGHTS RESERVED.

# REPLACEMENT PARTS SUITABLE FOR ESAB®/L-TEC®

## PT-15®, PT-15XL® Torch

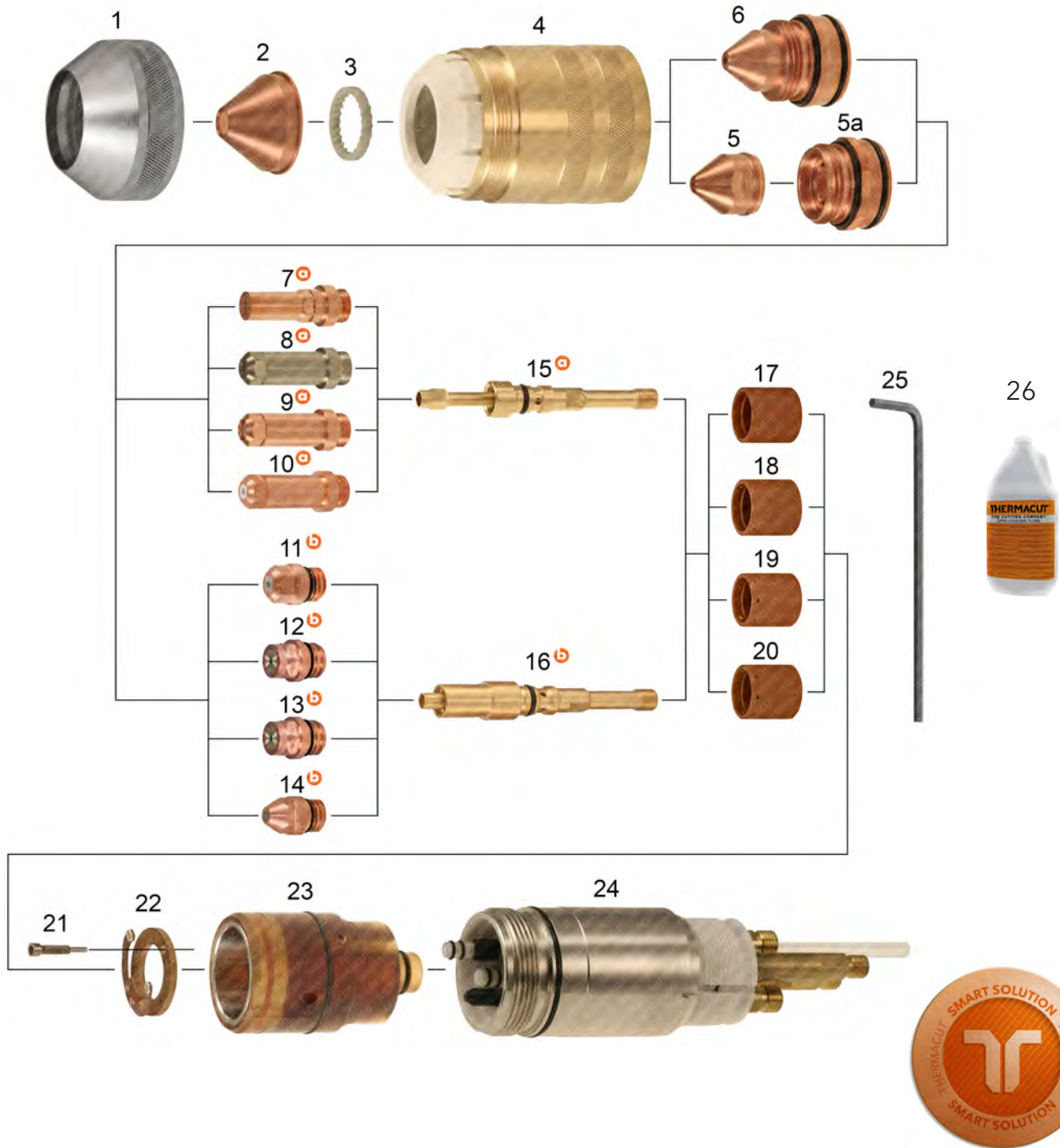
Item	Part No.	Ref. No.	Description	Std. Pkg.	Item	Part No.	Ref. No.	Description	Std. Pkg.
1.	T-1337	19483	Insulating Sleeve	1		T-1355	21257	Injection Hose, 15', ESP	1
2.	T-2309	34357	Pilot Arc Cable, 6', ESP	1		T-1356	21258	Injection Hose, 20', ESP	1
	T-1339	34358	Pilot Arc Cable, 12', ESP	1		T-1357	21259	Injection Hose, 25', ESP	1
	T-1340	21263	Pilot Arc Cable, 15', ESP	1		T-1353	996250	Injection Hose, 6', PCM-8	1
	T-1341	21264	Pilot Arc Cable, 20', ESP	1		T-2315	602714	Injection Hose, 8', PCM-8	1
	T-1342	21265	Pilot Arc Cable, 25', ESP	1	6.	T-1358	T-1358	Tubing	1
	T-1961	20760	Pilot Arc Cable, 6', PCM-8	1	7.	T-1359	T-1359	Shielding Braid	1
	T-2312	602715	Pilot Arc Cable, 8', PCM-8	1	8.	T-1360	T-1360	Lead Package, 6', ESP	1
	T-4020	996251	Pilot Arc Cable	1		T-1361	T-1361	Lead Package, 12', ESP	1
3.	T-1343	996248	Power Cable, 6', ESP	1		T-1362	T-1362	Lead Package, 15', ESP	1
	T-1344	34363	Power Cable, 12', ESP	1		T-1363	T-1363	Lead Package, 20', ESP	1
	T-1345	21266	Power Cable, 15', ESP	1		T-1364	T-1364	Lead Package, 25', ESP	1
	T-1346	21267	Power Cable, 20', ESP	1		T-0999	T-0999	Lead Package, 6', PCM-8	1
	T-1347	21268	Power Cable, 25', ESP	1		T-1365	T-1365	Lead Package, 8', PCM-8	1
	T-1343	996248	Power Cable, 6', PCM-8	1		T-0517	21304	15XL w/ Leads, 6' ESP	1
	T-2313	602712	Power Cable, 8', PCM-8	1		T-1366	21305	15XL w/Leads, 12' ESP	1
4.	T-2310	34360	Gas Hose, 6', ESP	1		T-1367	21301	15XL w/Leads, 15' ESP	1
	T-1349	34361	Gas Hose, 12', ESP	1		T-1368	21302	15XL w/Leads, 20' ESP	1
	T-1350	21260	Gas Hose, 15', ESP	1		T-1369	21303	15XL w/Leads, 25' ESP	1
	T-1351	21261	Gas Hose, 20', ESP	1		T-0218	20762	15XL w/Leads, 6' PCM8	1
	T-1352	21262	Gas Hose, 25', ESP	1		T-0518	602711	15XL w/Leads, 8' PCM8	1
	T-1348	996249	Gas Hose, 6', PCM-8	1	NS	T-1370	20408 OEM	Connector, H.F.	1
	T-2314	602713	Gas Hose, 8', PCM-8	1	NS	T-1371	20409 OEM	Insulator, H.F.	1
5.	T-2311	34354	Injection Hose, 6', ESP	1	NS	T-1372	21082 OEM	H.F. Wire	1
	T-1354	34355	Injection Hose, 12', ESP	1	NS	T-1373	20403 OEM	Wire Insulator	1

THERMACUT®, FHT-EX® AND EX-TRAFIRE® ARE REGISTERED TRADEMARKS OF THERMACUT, K. S. AND MAY BE REGISTERED IN CZECH REPUBLIC AND/OR OTHER COUNTRIES. ALL OTHER TRADEMARKS ARE PROPERTIES OF THEIR RESPECTIVE OWNERS. THERMACUT IS NO WAY AFFILIATED WITH ESAB®/L-TEC®. MOST THERMACUT PARTS ARE MADE FOR OR BY AN IBG COMPANY. PARTS INDICATED WITH A OEM ARE ORIGINAL PARTS MANUFACTURED BY THE ABOVE NAMED MANUFACTURER AND ARE BEING RESOLD BY THERMACUT. THERMACUT RESERVES THE RIGHT TO SUBSTITUTE OEM PARTS IN PLACE OF THERMACUT PARTS. VALID FROM JULY 2017 • PREVIOUS VERSION IS NO LONGER VALID. • © COPYRIGHT 2017 BY THERMACUT® CZECH REPUBLIC. ALL RIGHTS RESERVED.



# REPLACEMENT PARTS SUITABLE FOR ESAB®/L-TEC®

PT-19XLS™



THERMACUT®, FHT-EX® AND EX-TRAFIRE® ARE REGISTERED TRADEMARKS OF THERMACUT, K. S. AND MAY BE REGISTERED IN CZECH REPUBLIC AND/OR OTHER COUNTRIES. ALL OTHER TRADEMARKS ARE PROPERTIES OF THEIR RESPECTIVE OWNERS. THERMACUT IS NO WAY AFFILIATED WITH ESAB®/L-TEC®. MOST THERMACUT PARTS ARE MADE FOR OR BY AN IBG COMPANY. PARTS INDICATED WITH A OEM ARE ORIGINAL PARTS MANUFACTURED BY THE ABOVE NAMED MANUFACTURER AND ARE BEING RESOLD BY THERMACUT. THERMACUT RESERVES THE RIGHT TO SUBSTITUTE OEM PARTS IN PLACE OF THERMACUT PARTS. VALID FROM JULY 2017 • PREVIOUS VERSION IS NO LONGER VALID. • © COPYRIGHT 2017 BY THERMACUT® CZECH REPUBLIC. ALL RIGHTS RESERVED.

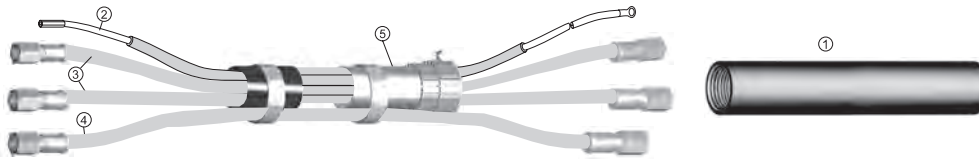
# REPLACEMENT PARTS SUITABLE FOR ESAB®/L-TEC®

PT-19XLS™

PRODUCT BROCHURE WITH DETAILS AT  
[WWW.THERMACUT.COM](http://WWW.THERMACUT.COM)  
VIDEO AVAILABLE AT YOUTUBE CHANNEL ▶



Item	Part No.	Ref. No.	Description	Std. Pkg.	Item	Part No.	Ref. No.	Description	Std. Pkg.
1.	T-10128	37081	Shield Retainer	1	ⓑ 12.	T-11290*	0558003914-PRO	Electrode 100–450A, O <sub>2</sub> , Silver PRO	5
2.	T-2266	21802	Shield 100–250A	1	ⓑ 13.	T-11994	0558012000-PRO	Electrode 100–450A, O <sub>2</sub> , Silver PRO	5
	T-2267	21945	Shield 325–600A	1	ⓑ 14.	T-11910	0558003928-UR	Electrode, N <sub>2</sub> /H35	5
	T-4580	21795 OEM	Shield 50A	5		T-10439	0558005459 OEM	Replaced by 0558003914-PRO	3
3.	T-2269	21944	Diffuser 100–600A	1	ⓐ 15.	T-2349	37068	Electrode Holder	1
4.	T-10129	37082	Nozzle Retaining Cap	1	ⓑ 16.	T-11210	T-11210	Electrode Holder	1
5.	T-1720	22026	Nozzle Tip 50A	5	17.	T-0322	948142	Gas Swirl Baffle, 4 Hole, CW	1
	T-1717	22029	Nozzle Tip 100A	5	18.	T-0323	948143	Gas Swirl Baffle, 4 Hole, CCW	1
	T-1718	22030	Nozzle Tip 150A	5	19.	T-2019	35660	Gas Swirl Baffle, 8 Hole, CW	1
	T-4197	21822-S	Nozzle Tip 250A	5	20.	T-11659	35661	Gas Swirl Baffle, 8 Hole, CCW	1
5a.	T-1721	22027	Nozzle Base 50A	1	21.	T-11942	37073	Screw	1
	T-1722	22028	Nozzle Base 100–250A	1	22.	T-11863	0558003858	Cont. Ring with 2pcs Screws 37073(=37071)	1
6.	T-2271	21822	Nozzle 250A	1	23.	T-2351	37083 OEM	Insulator	1
ⓐ 7.	T-10266*ⓐ	35886-UR	Electrode 360A	5	24.	T-3422	37066	Torch Body PT-19XLS™, machine	1
ⓐ 8.	T-4905	34086XL-AG	Electrode 50–250A, SilverEX®	5	NS T-1725	20391	Torch Body PT-19XL™, machine	1	
ⓐ 9.	T-10262	34086-UR	Electrode 50–250A	5	NS T-1337	19483	Sleeve	1	
ⓐ	T-1252	34086	Electrode 50–250A	5	NS T-11202	T-11202	Electrode holder wrench	1	
ⓐ 10.	T-11857	34086-PRO	Electrode 50–250A, Silver PRO	5	25.	N-20426	93750010	Hex Key Wrench for Contact Ring	1
ⓑ 11.	T-11303	T-11303-PRO	Electrode 50–250A, Silver PRO	5	26.	Coolant Liquid. Details on Accessories page..			



## ACCESSORIES

Item	Part No.	Ref. No.	Description	Std. Pkg.	Item	Part No.	Ref. No.	Description	Std. Pkg.
1.	T-1337	19483	Insulating Sleeve	1	T-1346	21267	Power Cable, 20'	1	
2.	T-2309	34357	Pilot Arc Cable, 6'	1	T-1347	21268	Power Cable, 25'	1	
	T-1339	34358	Pilot Arc Cable, 12'	1	4.	T-2310	34360	Gas Hose, 6'	1
	T-1340	21263	Pilot Arc Cable, 15'	1	T-1349	34361	Gas Hose, 12'	1	
	T-1341	21264	Pilot Arc Cable, 20'	1	T-1350	21260	Gas Hose, 15'	1	
	T-1342	21265	Pilot Arc Cable, 25'	1	T-1351	21261	Gas Hose, 20'	1	
3.	T-1343	996248	Power Cable, 6'	1	T-1352	21262	Gas Hose, 25'	1	
	T-1344	34363	Power Cable, 12'	1	5.	T-1359	T-1359	Shielding Braid	1
	T-1345	21266	Power Cable, 15'	1					

ⓐ MUST BE USED ONLY AS A SET OF ELECTRODE HOLDER 37068 AND 34086XL-AG, 35886-UR, 34086, 34086-UR, 34086-PRO ELECTRODES.

ⓑ MUST BE USED ONLY AS A SET OF ELECTRODE HOLDER T-11210 AND T-11303-PRO, 0558003914-PRO ELECTRODES.

\* A UNIQUE DESIGN WHICH ENHANCES PERFORMANCE AND DIFFERS FROM OEM DESIGNS.

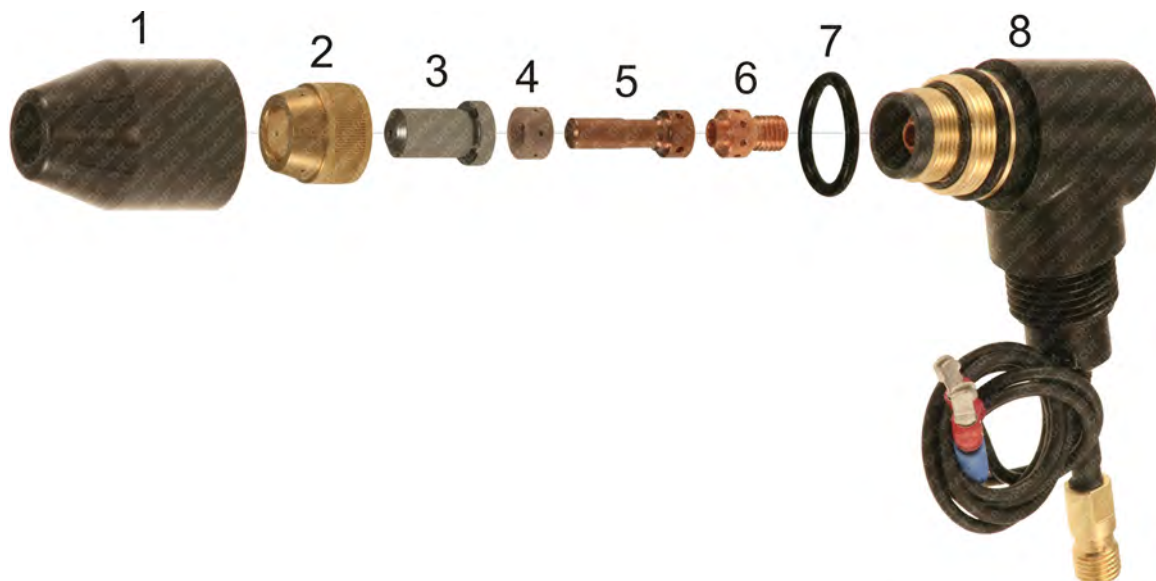
CCW COUNTER CLOCK WISE GAS SWIRLING, USE OF CCW PARTS WILL MAKE CUT ANGLE ON THE OPPOSITE SIDE, THAN WITH STANDARD CLOCK WISE (CW) SWIRLING PARTS.

-PRO SILVER PRO TECHNOLOGY INCREASES ELECTRODE LIFETIME SIGNIFICANTLY COMPARED TO STANDARD COPPER ELECTRODES. SMART SOLUTION - DESIGN IMPROVEMENTS THAT BRINGS ADDED VALUE SUCH AS IMPROVED LIFETIME OF CONSUMABLES, EXCELLENT CUT QUALITY, SPEED OR BETTER COST EFFECTIVENESS OF YOUR SYSTEM.

THERMACUT®, FHT-EX® AND EX-TRAFIRE® ARE REGISTERED TRADEMARKS OF THERMACUT, K. S. AND MAY BE REGISTERED IN CZECH REPUBLIC AND/OR OTHER COUNTRIES. ALL OTHER TRADEMARKS ARE PROPERTIES OF THEIR RESPECTIVE OWNERS. THERMACUT IS NO WAY AFFILIATED WITH ESAB®/L-TEC®. MOST THERMACUT PARTS ARE MADE FOR OR BY AN IBG COMPANY. PARTS INDICATED WITH A OEM ARE ORIGINAL PARTS MANUFACTURED BY THE ABOVE NAMED MANUFACTURER AND ARE BEING RESOLD BY THERMACUT. THERMACUT RESERVES THE RIGHT TO SUBSTITUTE OEM PARTS IN PLACE OF THERMACUT PARTS. VALID FROM JULY 2017 • PREVIOUS VERSION IS NO LONGER VALID. • © COPYRIGHT 2017 BY THERMACUT® CZECH REPUBLIC. ALL RIGHTS RESERVED.

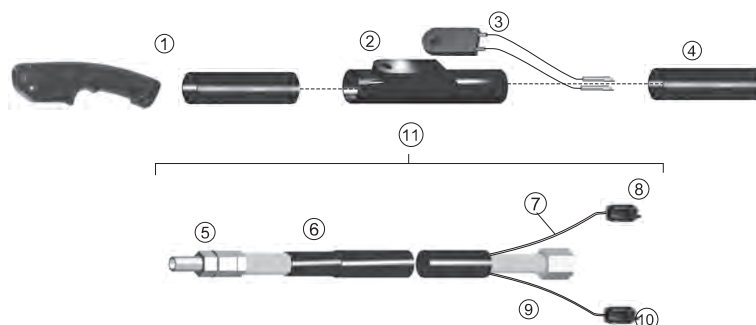
# REPLACEMENT PARTS SUITABLE FOR ESAB®/L-TEC®

PT-23™



Item	Part No.	Ref. No.	Description	Std. Pkg.	Item	Part No.	Ref. No.	Description	Std. Pkg.
1.	T-1258	33419	Shield	1	5.	T-1264	33366	Electrode	10
2.	T-1259	33371	Retaining Nut	1	6.	T-2016	33417	Replaceable Seat	1
3.	T-1260	33368	Nozzle 30A	10	7.	T-1306	85W51	O-Ring	1
	T-1261	33369	Nozzle 50A	10	8.	T-1265	21421	Torch Head	1
	T-1262	33418	Nozzle 80A	10	NS	T-1986	21420	Stand-off Guide	1
4.	T-1263	33367	Swirl Baffle	5					

## ACCESSORIES



Item	Part No.	Ref. No.	Description	Std. Pkg.	Item	Part No.	Ref. No.	Description	Std. Pkg.
1.	T-1266	33399 OEM	Handle	1	T-1274	T-1274		Control Cable, 50'	1
	T-1040	9-5636-1	Handle w/Switch	1	8.	T-1187	2062336 OEM	Plug	1
2.	T-1267	33400 OEM	Switch Band	1	9.	T-1275	T-1275	Pilot Arc Lead, 25',w/plug	1
3.	T-1179	18224	Switch	1		T-1276	T-1276	Pilot Arc Lead, 50',w/plug	1
4.	T-1268	21218 OEM	Flex Support	1	10.	T-1277	21427 OEM	Plug	1
5.	T-1269	19995	Power Cable, 25'	1	11.	T-1278	T-1278	Leads Ass'y, 25',w/plug	1
	T-1270	19996	Power Cable, 50'	1		T-1279	T-1279	Leads Ass'y, 50',w/plug	1
6.	T-1271	18320	Sheath, 25'	1	NS	T-2331	21402	Complete Ass'y, 25',w/plug	1
	T-1272	19026	Sheath, 50'	1	NS	T-2332	21403	Complete Ass'y, 50',w/plug	1
7.	T-1273	T-1273	Control Cable, 25'	1	NS	T-1326	49N83	Boot	1

THERMACUT®, FHT-EX® AND EX-TRAFIRE® ARE REGISTERED TRADEMARKS OF THERMACUT, K. S. AND MAY BE REGISTERED IN CZECH REPUBLIC AND/OR OTHER COUNTRIES. ALL OTHER TRADEMARKS ARE PROPERTIES OF THEIR RESPECTIVE OWNERS. THERMACUT IS NO WAY AFFILIATED WITH ESAB®/L-TEC®.

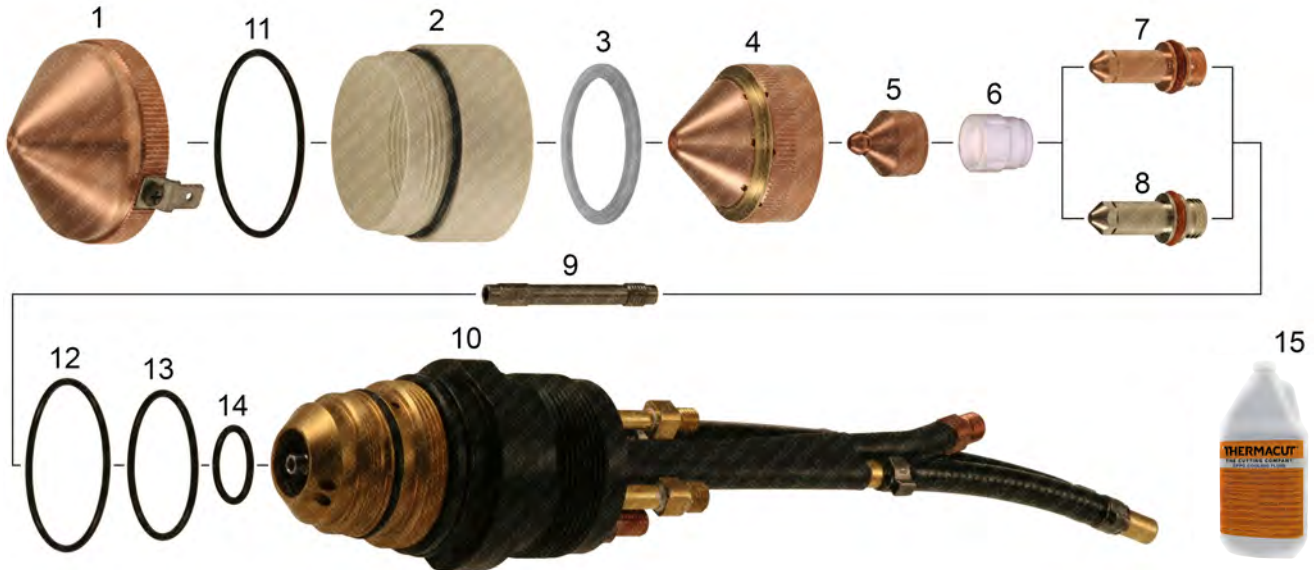
MOST THERMACUT PARTS ARE MADE FOR OR BY AN IBG COMPANY. PARTS INDICATED WITH A OEM ARE ORIGINAL PARTS MANUFACTURED BY THE ABOVE NAMED MANUFACTURER AND ARE BEING RESOLD BY THERMACUT. THERMACUT RESERVES THE RIGHT TO SUBSTITUTE OEM PARTS IN PLACE OF THERMACUT PARTS.

VALID FROM JULY 2017 • PREVIOUS VERSION IS NO LONGER VALID. • © COPYRIGHT 2017 BY THERMACUT® CZECH REPUBLIC. ALL RIGHTS RESERVED.

# REPLACEMENT PARTS SUITABLE FOR ESAB®/L-TEC®

PT-24™

PRODUCT BROCHURE WITH DETAILS AT  
[WWW.THERMACUT.COM](http://WWW.THERMACUT.COM)



Item	Part No.	Ref. No.	Description	Std. Pkg.	Item	Part No.	Ref. No.	Description	Std. Pkg.
1.	T-10130	22531	Cup Shield with Retainer	1	T-3375	21536 OEM	Swirl Baffle 30A	1	
2.	T-9333	21712	Insulator Shield Retainer	1	7.	T-3377	21539	Electrode	5
3.	T-3350	22010	Shield Cap Insulator	1	T-8987	21539-PRO	Electrode, Silver PRO	5	
4.	T-3353	22007	Nozzle Retainer/Diffuser	1	8.	T-4916	21539-AG	Electrode, SilverEX®	5
5.	T-3370	21540	Nozzle 15A	5	9.	PT-10625	21725	Water Baffle	1
	T-3371	21541	Nozzle 30A	5	10.	T-3379	21758	PT-24™ Torch Body, Machine	1
	T-3372	21542	Nozzle 50A	5	11.	T-1257	996528	O-Ring	1
	T-3373	21543	Nozzle 70A	5	12.	T-2824	950714	O-Ring	1
	T-3354	21923	Nozzle 100A	5	13.	T-4019	86W62	O-Ring	1
6.	T-3376	21692 OEM	Swirl Baffle 50-100A	1	14.	T-4018	638797	O-Ring	1
	T-3374	21852 OEM	Swirl Baffle 15A	1	15.	Coolant Liquid. Details on Accessories Page.			

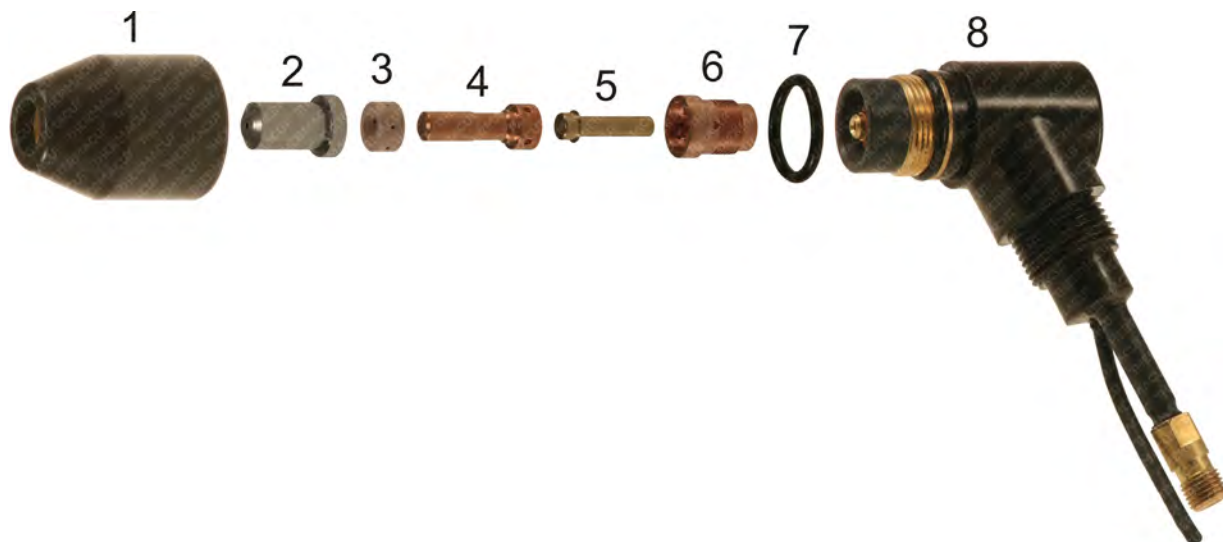
-PRO SILVER PRO TECHNOLOGY INCREASES ELECTRODE LIFETIME SIGNIFICANTLY COMPARED TO STANDARD COPPER ELECTRODES

THERMACUT®, FHT-EX® AND EX-TRAFIRE® ARE REGISTERED TRADEMARKS OF THERMACUT, K. S. AND MAY BE REGISTERED IN CZECH REPUBLIC AND/OR OTHER COUNTRIES. ALL OTHER TRADEMARKS ARE PROPERTIES OF THEIR RESPECTIVE OWNERS. THERMACUT IS NO WAY AFFILIATED WITH ESAB®/L-TEC®. MOST THERMACUT PARTS ARE MADE FOR OR BY AN IBG COMPANY. PARTS INDICATED WITH A OEM ARE ORIGINAL PARTS MANUFACTURED BY THE ABOVE NAMED MANUFACTURER AND ARE BEING RESOLD BY THERMACUT. THERMACUT RESERVES THE RIGHT TO SUBSTITUTE OEM PARTS IN PLACE OF THERMACUT PARTS. VALID FROM JULY 2017 • PREVIOUS VERSION IS NO LONGER VALID. • © COPYRIGHT 2017 BY THERMACUT® CZECH REPUBLIC. ALL RIGHTS RESERVED.



# REPLACEMENT PARTS SUITABLE FOR ESAB®/L-TEC®

PT-27™



Item	Part No.	Ref. No.	Description	Std. Pkg.	Item	Part No.	Ref. No.	Description	Std. Pkg.
1.	T-1307	21616	Heat Shield	1	6.	T-1310	21615	Replaceable Seat	5
2.	T-1260	33368	Nozzle 0,9mm 30A	10	7.	T-1306	85W51	O-Ring	1
	T-1261	33369	Nozzle 1,2mm 50-70A	10	8.	T-1309	21610	Torch Body 70°	1
	T-1262	33418	Nozzle 1,3mm 80A	10	NS	T-1986	21420	Stand-off Guide	1
	T-0057	35442	Gouging Nozzle 2,4mm	10	NS	PT-10220	0558003032	Seat Assembly	1
3.	T-1263	33367	Swirl Baffle	5	NS	T-3953	0558003027	Seat Installation Tool	1
4.	T-1264	33366	Electrode	10	NS	KT-1301	21620	PT-27™ Cable Leads, 7,6m (25')	1
5.	T-1308	21619	Valve Pin	5					

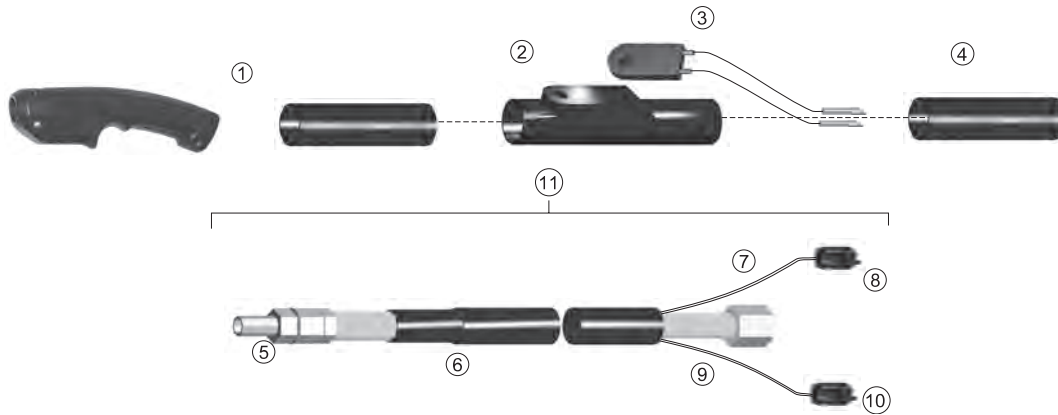
NS NOT SHOWN IN THE PICTURE

THERMACUT®, FHT-EX® AND EX-TRAFIRE® ARE REGISTERED TRADEMARKS OF THERMACUT, K. S. AND MAY BE REGISTERED IN CZECH REPUBLIC AND/OR OTHER COUNTRIES. ALL OTHER TRADEMARKS ARE PROPERTIES OF THEIR RESPECTIVE OWNERS. THERMACUT IS NO WAY AFFILIATED WITH ESAB®/L-TEC®. MOST THERMACUT PARTS ARE MADE FOR OR BY AN IBG COMPANY. PARTS INDICATED WITH A OEM ARE ORIGINAL PARTS MANUFACTURED BY THE ABOVE NAMED MANUFACTURER AND ARE BEING RESOLD BY THERMACUT. THERMACUT RESERVES THE RIGHT TO SUBSTITUTE OEM PARTS IN PLACE OF THERMACUT PARTS. VALID FROM JULY 2017 • PREVIOUS VERSION IS NO LONGER VALID. • © COPYRIGHT 2017 BY THERMACUT® CZECH REPUBLIC. ALL RIGHTS RESERVED.

# REPLACEMENT PARTS SUITABLE FOR ESAB®/L-TEC®

PT-27®

## ACCESSORIES

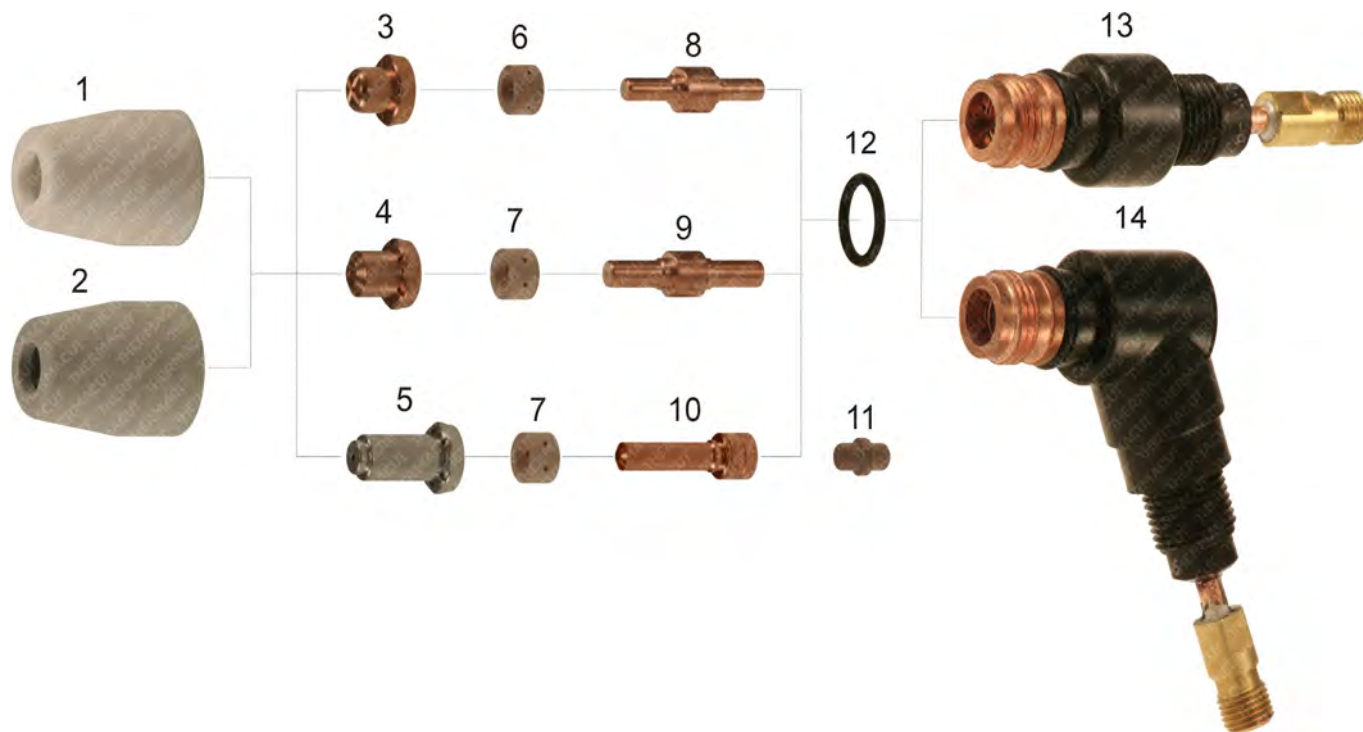


Item	Part No.	Ref. No.	Description	Std. Pkg	Item	Part No.	Ref. No.	Description	Std. Pkg.
1.	T-1266	33399 OEM	Handle	1	T-2337	T-2337		Pilot Arc Lead, 50', w/ring	1
	T-1040	9-5636-1	Handle w/Switch	1	T-2910	T-2910		Pilot Arc Lead, 25',w/plug	1
2.	T-1267	33400 OEM	Switch Band	1	T-2911	T-2911		Pilot Arc Lead, 50',w/plug	1
3.	T-1179	18224	Switch	1	10.	T-1277	21427 OEM	Plug	1
4.	T-1268	21218 OEM	Flex Support	1	11.	T-2340	T-2340	Leads Ass'y, 25',w/ring	1
5.	T-1269	19995	Power Cable, 25'	1		T-2341	T-2341	Leads Ass'y, 50',w/ring	1
	T-1270	19996	Power Cable, 50'	1		T-2908	T-2908	Leads Ass'y, 25',w/plug	1
6.	T-1271	18320	Sheath, 25'	1		T-2909	T-2909	Leads Ass'y, 50',w/plug	1
	T-1272	19026	Sheath, 50'	1	NS	T-1987	21661	Complete Ass'y, 25',w/ring	1
7.	T-1273	T-1273	Control Cable, 25'	1	NS	T-2333	21662	Complete Ass'y, 50',w/ring	1
	T-1274	T-1274	Control Cable, 50'	1	NS	T-2334	21620	Complete Ass'y, 25',w/plug	1
8.	T-1187	2062336 OEM	Plug	1	NS	T-2335	21621	Complete Ass'y, 50',w/plug	1
9.	T-2336	T-2336	Pilot Arc Lead, 25', w/ring	1	NS	T-1326	49N83	Boot	1

THERMACUT®, FHT-EX® AND EX-TRAFIRE® ARE REGISTERED TRADEMARKS OF THERMACUT, K. S. AND MAY BE REGISTERED IN CZECH REPUBLIC AND/OR OTHER COUNTRIES. ALL OTHER TRADEMARKS ARE PROPERTIES OF THEIR RESPECTIVE OWNERS. THERMACUT IS NO WAY AFFILIATED WITH ESAB®/L-TEC®. MOST THERMACUT PARTS ARE MADE FOR OR BY AN IBG COMPANY. PARTS INDICATED WITH A OEM ARE ORIGINAL PARTS MANUFACTURED BY THE ABOVE NAMED MANUFACTURER AND ARE BEING RESOLD BY THERMACUT. THERMACUT RESERVES THE RIGHT TO SUBSTITUTE OEM PARTS IN PLACE OF THERMACUT PARTS. VALID FROM JULY 2017 • PREVIOUS VERSION IS NO LONGER VALID. • © COPYRIGHT 2017 BY THERMACUT® CZECH REPUBLIC. ALL RIGHTS RESERVED.

# REPLACEMENT PARTS SUITABLE FOR ESAB®/L-TEC®

PT-31XL™



Item	Part No.	Ref. No.	Description	Std. Pkg	Item	Part No.	Ref. No.	Description	Std. Pkg.
1.	T-0289	18204	Heat Shield	10	7.	T-0294	20463	Swirl Baffle (055800506)	5
2.	T-0290	20282	Heat Shield	1	8.	T-0295	18205	Electrode Standard	10
3.	T-0291	18866	Nozzle 30A	10	9.	T-0296	19683	Electrode Heavy Duty	10
	T-0292	19682	Tip XL 30A	10	10.	T-1173	20862	Electrode XT (055800507)	10
4.	T-1297	20079	Nozzle 50A	10	#11.	T-1172#	20324	Plunger (055800511)	5
5.	T-1174	20860	Nozzle XT 30-40A (055800512)	10	12.	T-0357	950790	O-Ring	1
	T-1176	20861	Nozzle XT 50A (055800513)	10	13.	T-0298	20073	Torch Body, Machine	1
	T-1175	21008	Nozzle 35-40A (055800508)	10	14.	T-0297	20072	Torch Body 70°, Hand (055800790)	1
6.	T-0293	18785	Swirl Baffle	10					

# NON COMPATIBLE WITH THERMACUT TORCH, ONLY FOR OEM TORCH

THERMACUT®, FHT-EX® AND EX-TRAFIRE® ARE REGISTERED TRADEMARKS OF THERMACUT, K. S. AND MAY BE REGISTERED IN CZECH REPUBLIC AND/OR OTHER COUNTRIES. ALL OTHER TRADEMARKS ARE PROPERTIES OF THEIR RESPECTIVE OWNERS. THERMACUT IS NO WAY AFFILIATED WITH ESAB®/L-TEC®.

MOST THERMACUT PARTS ARE MADE FOR OR BY AN IBG COMPANY. PARTS INDICATED WITH A OEM ARE ORIGINAL PARTS MANUFACTURED BY THE ABOVE NAMED MANUFACTURER AND ARE BEING RESOLD BY THERMACUT. THERMACUT RESERVES THE RIGHT TO SUBSTITUTE OEM PARTS IN PLACE OF THERMACUT PARTS.

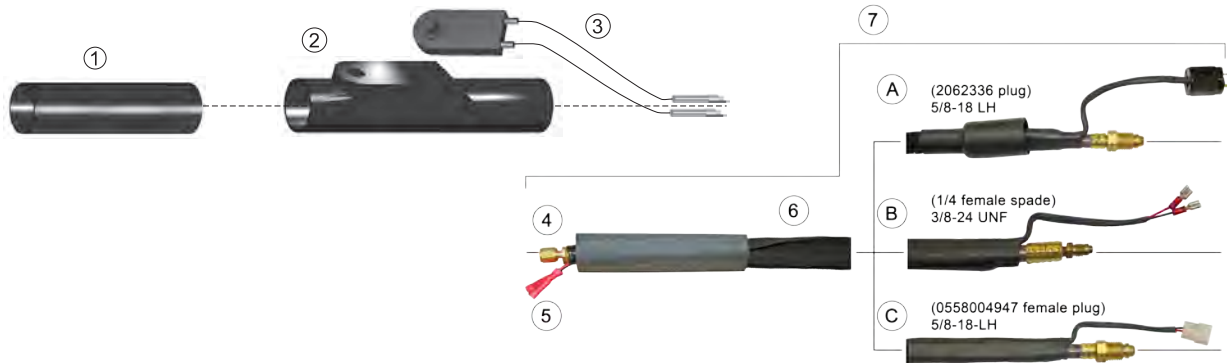
VALID FROM JULY 2017 • PREVIOUS VERSION IS NO LONGER VALID. • © COPYRIGHT 2017 BY THERMACUT® CZECH REPUBLIC. ALL RIGHTS RESERVED.



# REPLACEMENT PARTS SUITABLE FOR ESAB®/L-TEC®

PT-31XL®

## ACCESSORIES



Item	Part No.	Ref. No.	Alt. Ref. No.	Description	Std. Pkg	Item	Part No.	Ref. No.	Alt. Ref. No.	Description	Std. Pkg.
1.	T-1177	18208 OEM	0558000796	Handle	1	3.	T-1179	18224	0558000818	Switch	1
2.	T-1178	18207 OEM	0558000699	Switch Band	1	NS	T-1326	49N83	0558000793	Boot, Lead	1

**Note: Must specify Power Supply when ordering leads to ensure correct connection fittings.**

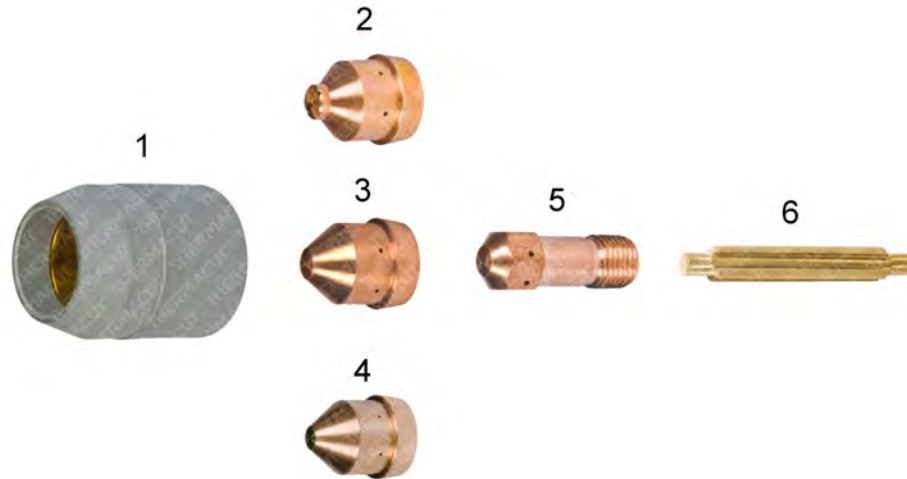
Item	Part No.	Ref. No.	Alt. Ref. No.	Description	Std. Pkg	Item	Part No.	Ref. No.	Alt. Ref. No.	Description	Std. Pkg.
4.	T-1181	19672	0558005148	Power Cable, 15'	1		T-1272	19026	0558000792	Sheath, 50'	1
	T-1182	18221	0558000795	Power Cable, 25'	1	7.	T-1191	T-1191		Leads Assy, 15'	1
	T-1183	19028	0558005146	Power Cable, 50'	1		T-1192	T-1192		Leads Assy, 25'	1
5.	T-1188	T-1188		Control Cable, 15'	1		T-1193	19027		Leads Assy, 50'	1
	T-1189	T-1189		Control Cable, 25'	1			20085		Machine Torch w/ 12.5' Leads, 31	1
	T-1190	T-1190		Control Cable, 50'	1			20081		Machine Torch w/ 25' Leads, 31	1
6.	T-1184	19675	0558000583	Sheath, 15'	1			20083		Machine Torch w/ 50' Leads, 31	1
	T-1185	18320	0558000791	Sheath, 25'	1						

Part No.	Description	End Type	Power Supply	Part No.	Description	End Type	Power Supply
20084	Hand Torch w/ 12.5' Leads	A	CaddyCut® / HandyPlasma® 50 / PCM500i	0558005300	Torch Assy w/ 12.5' Leads	C	HandyPlasma® 250
20080	Hand Torch w/ 25' Leads			0558004482	Torch Assy w/ 15' Leads	C	HandyPlasma® 380
20082	Hand Torch w/ 50' Leads			0558004498	Torch Assy w/25' Leads	C	HandyPlasma® 550
				0558003183	Torch Assy w. 25' Leads	B	PowerCut® 650

THERMACUT®, FHT-EX® AND EX-TRAFIRE® ARE REGISTERED TRADEMARKS OF THERMACUT, K. S. AND MAY BE REGISTERED IN CZECH REPUBLIC AND/OR OTHER COUNTRIES. ALL OTHER TRADEMARKS ARE PROPERTIES OF THEIR RESPECTIVE OWNERS. THERMACUT IS NO WAY AFFILIATED WITH ESAB®/L-TEC®. MOST THERMACUT PARTS ARE MADE FOR OR BY AN IBG COMPANY. PARTS INDICATED WITH A OEM ARE ORIGINAL PARTS MANUFACTURED BY THE ABOVE NAMED MANUFACTURER AND ARE BEING RESOLD BY THERMACUT. THERMACUT RESERVES THE RIGHT TO SUBSTITUTE OEM PARTS IN PLACE OF THERMACUT PARTS. VALID FROM JULY 2017 • PREVIOUS VERSION IS NO LONGER VALID. • © COPYRIGHT 2017 BY THERMACUT® CZECH REPUBLIC. ALL RIGHTS RESERVED.

# REPLACEMENT PARTS SUITABLE FOR ESAB®/L-TEC®

PT-32™



Item	Part No.	Ref. No.	Description	Std. Pkg.	Item	Part No.	Ref. No.	Description	Std. Pkg.
NS	T-3994	0558002393 OEM	Stand-off Guide	1	4.	T-3988	0558002837 OEM	Nozzle 90A	1
1.	T-3992	0558001957 OEM	Heat Shield	1	5.	T-3990	0558001969 OEM	Electrode	5
NS	T-10173	0558004206 OEM	Heavy Duty Drag Heat Shield	1	6.	T-3991	0558001959 OEM	Valve Pin	1
2.	T-3986	0558002908 OEM	Nozzle 40A	1	NS	T-4567	0558001965 OEM	Torch Body	1
3.	T-3987	0558002618 OEM	Nozzle 70A	1	NS	T-3989	0558003089 OEM	Nozzle, Gouging	5

NS - Not Shown

THERMACUT®, FHT-EX® AND EX-TRAFIRE® ARE REGISTERED TRADEMARKS OF THERMACUT, K. S. AND MAY BE REGISTERED IN CZECH REPUBLIC AND/OR OTHER COUNTRIES. ALL OTHER TRADEMARKS ARE PROPERTIES OF THEIR RESPECTIVE OWNERS. THERMACUT IS NO WAY AFFILIATED WITH ESAB®/L-TEC®. MOST THERMACUT PARTS ARE MADE FOR OR BY AN IBG COMPANY. PARTS INDICATED WITH A OEM ARE ORIGINAL PARTS MANUFACTURED BY THE ABOVE NAMED MANUFACTURER AND ARE BEING RESOLD BY THERMACUT. THERMACUT RESERVES THE RIGHT TO SUBSTITUTE OEM PARTS IN PLACE OF THERMACUT PARTS. VALID FROM JULY 2017 • PREVIOUS VERSION IS NO LONGER VALID. • © COPYRIGHT 2017 BY THERMACUT® CZECH REPUBLIC. ALL RIGHTS RESERVED.

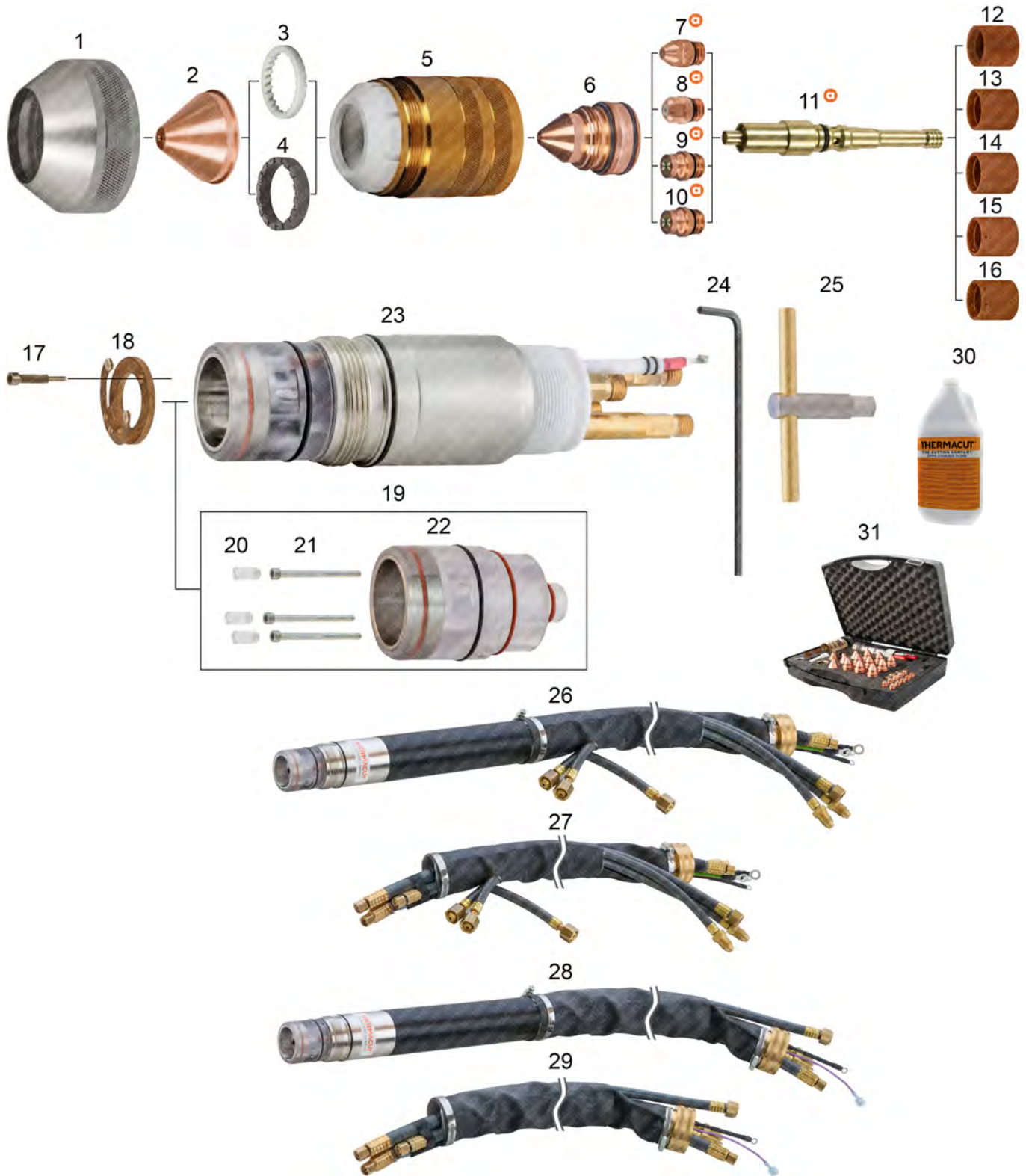
---

- This page intentionally left blank -



# REPLACEMENT PARTS SUITABLE FOR ESAB®/L-TEC®

PT-36™



THERMACUT®, FHT-EX® AND EX-TRAFIRE® ARE REGISTERED TRADEMARKS OF THERMACUT, K. S. AND MAY BE REGISTERED IN CZECH REPUBLIC AND/OR OTHER COUNTRIES. ALL OTHER TRADEMARKS ARE PROPERTIES OF THEIR RESPECTIVE OWNERS. THERMACUT IS NO WAY AFFILIATED WITH ESAB®/L-TEC®. MOST THERMACUT PARTS ARE MADE FOR OR BY AN IBG COMPANY. PARTS INDICATED WITH A OEM ARE ORIGINAL PARTS MANUFACTURED BY THE ABOVE NAMED MANUFACTURER AND ARE BEING RESOLD BY THERMACUT. THERMACUT RESERVES THE RIGHT TO SUBSTITUTE OEM PARTS IN PLACE OF THERMACUT PARTS. VALID FROM JULY 2017 • PREVIOUS VERSION IS NO LONGER VALID. • © COPYRIGHT 2017 BY THERMACUT® CZECH REPUBLIC. ALL RIGHTS RESERVED.

# REPLACEMENT PARTS SUITABLE FOR ESAB®/L-TEC®

PT-36™



PRODUCT BROCHURE WITH DETAILS AT  
WWW.THERMACUT.COM

Item	Part No.	Ref. No.	Description	Std. Pkg.	Item	Part No.	Ref. No.	Description	Std. Pkg.
1.	T-10128	37081	Shield Retainer	1	17.	T-11942	37073	Screw, contact ring	1
2.	T-12231	0558009425	Micro Shield, 2,5mm 30-60A MS	1	18.	T-11863	0558003858	Cont. Ring with 2pcs Screws 37073(=37071)	1
	T-10463	0558007624	Shield Cup 2,4mm 45-55A	1	19.	T-12040	T-12040	Exchangeable insulator kit	1
	T-10333	0558006130	Shield Cup 3,0mm 35-50A	1	20.	PT-13160	0558001825-11	Plastic screw	1
	T-10332	0558006141	Shield Cup 4,1mm 70-280A	1	21.	PT-13159	0558001825-10	Screw	1
	T-10334	0558006166	Shield Cup 6,6mm 290-450A	1	22.	PT-12123	0558001825-8	Insulator body	1
	T-10335	0558006199	Shield Cup 9,9mm 300-600A	1	23.	T-11208	0558003804	Torch Body PT-36™	1
3.	T-2269	21944	Diffuser 100-600A	1	24.	N-20426	93750010	Hex Key Wrench for Contact Ring	1
	T-10331	22496	Shield Gas Diffuser 100-360A, CCW	1	25.	T-11665	0558003918 OEM	Electrode Holder Wrench	1
4.	T-2268	21796	Gas Diffuser 50A	1	26.	KT-1452	0558006745	PT-36™ Mach. torch with Leads 1,3m	1
5.	T-10129	37082	Nozzle Retaining Cap, Standard	1		KT-1453	0558006746	PT-36™ Mach. torch with Leads 1,8m	1
6.	T-12229	0558009406	Micro Nozzle 0,6mm 30A MS/SS/AL	1		KT-1454	0558006747	PT-36™ Mach. torch with Leads 3,7m	1
	T-12230	0558009410	Micro Nozzle, 1,0mm 60A MS/SS/AL	1		KT-1455	0558006749	PT-36™ Mach. torch with Leads 4,6m	1
	T-10336	0558006010	Nozzle 1,0mm 45/50A MS/SS/AL	1		KT-1456	0558006750	PT-36™ Mach. torch with Leads 5,2m	1
	T-10337	0558006014	Nozzle 1,4mm 100A MS/AL, 70/130A SS	1		KT-1457	0558006779	PT-36™ Mach. torch with Leads 6,1m	1
	T-10970	0558006018	Nozzle 1,8mm 100/130A MS, 100A SS/AL	1		KT-1458	0558006751	PT-36™ Mach. torch with Leads 7,6m	1
	T-10338	0558006020	Nozzle 2,0mm 150/200A MS/AL, 130/150A SS	1	27.	KT-1460	0558007031	PT-36™ Cable Leads 1,3m	1
	T-10339	0558006023	Nozzle 2,3mm 200/280A MS, 200A SS, 200/260A AL	1		KT-1461	0558007032	PT-36™ Cable Leads 1,8m	1
	T-10340	0558006025	Nozzle 2,5mm 280/290A MS, 260A SS	1		KT-1462	0558007034	PT-36™ Cable Leads 3,7m	1
	T-10443	0558006030	Nozzle 3,0mm 325/360A MS, 360A SS/AL	1		KT-1463	0558007036	PT-36™ Cable Leads 4,6m	1
	T-10341	0558006036	Nozzle 3,6mm 400A MS, 450A SS	1		KT-1464	0558007037	PT-36™ Cable Leads 5,2m	1
	T-10292	0558006041	Nozzle 4,1mm 600A SS/AL	1		KT-1465	0558007038	PT-36™ Cable Leads 6,1m	1
7.	T-12228	0558009400-PRO	Micro Electrode 30-60A MS/SS/AL	5		KT-1466	0558007039	PT-36™ Cable Leads 7,6m	1
	T-11910	0558003928-UR	Electrode, N <sub>2</sub> /H35	5		KT-1522	0558007035	PT-36™ Cable Leads Bevel 4,3m	1
	T-10439	0558005459 OEM	Replaced by 0558003914-PRO	3	28.	KT-1478	0558003849	PT-36™ Mach. torch with Leads 1,4m	1
8.	T-11303	T-11303-PRO	Electrode 50-250A, Silver PRO	5		KT-1479	0558003850	PT-36™ Mach. torch with Leads 1,8m	1
9.	T-11290*	0558003914-PRO	Electrode 100-450A, O <sub>2</sub> , Silver PRO	5		KT-1480	0558003852	PT-36™ Mach. torch with Leads 3,7m	1
10.	T-11994	0558012000-PRO	Electrode 100-450A, O <sub>2</sub> , Silver PRO	5		KT-1481	0558003853	PT-36™ Mach. torch with Leads 4,6m	1
11.	T-11319	0558003924-UR	Electrode Holder	1		KT-1482	0558003854	PT-36™ Mach. torch with Leads 5,2m	1
12.	T-10693	0558005457 OEM	Gas Swirl Baffle, 4 x 0,022, 35-70A	1		KT-1483	0558003856	PT-36™ Mach. torch with Leads 7,6m	1
13.	T-4607	0558002534	Gas Swirl Baffle, 4 x 0,032, 100-280A, CCW	1	29.	Cable Leads are available on request, because of multiple types of fittings.			
14.	T-4606	0558002533	Gas Swirl Baffle, 4 x 0,032, 100-280A	1	30.	Coolant Liquid. Details on the Accessories page.			
15.	T-4636	0558001625	Gas Swirl Baffle, 8 x 0,047, 300-600A	1	31.	Consumable Case. Details on the Accessories page.			
16.	T-11119	0558002530	Gas Swirl Baffle, 8 x 0,047, 360-450A, CCW	1					

\* A UNIQUE DESIGN WHICH ENHANCES PERFORMANCE AND DIFFERS FROM OEM DESIGNS MUST BE USED AS A SET OF ELECTRODE HOLDER AND ELECTRODE, THIS COMPLETE SET IS INTERCHANGEABLE AND COMPATIBLE WITH ORIGINAL PARTS.

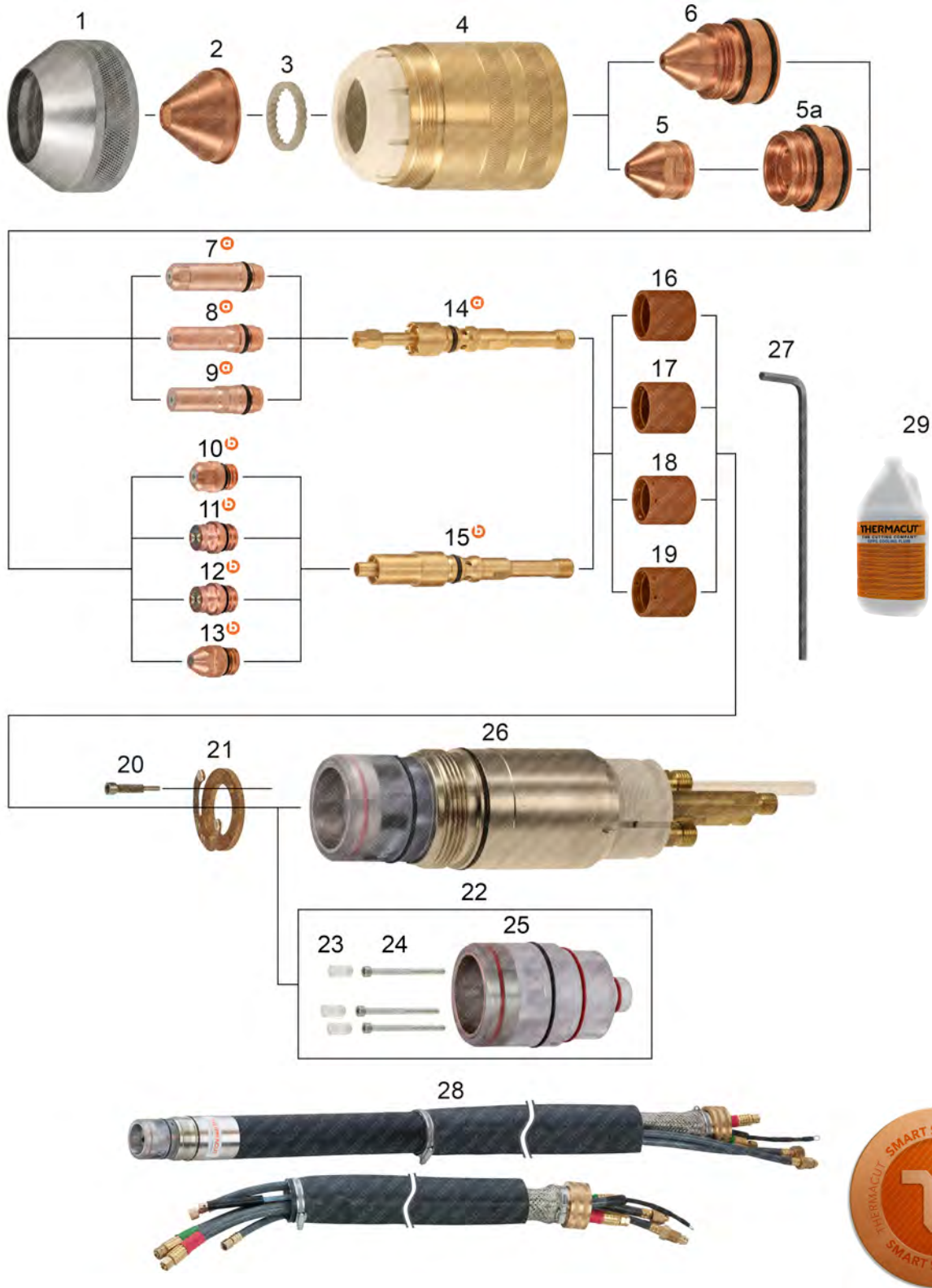
CCW COUNTER CLOCK WISE GAS SWIRLING, USE OF CCW PARTS WILL MAKE CUT ANGLE ON THE OPPOSITE SIDE, THAN WITH STANDARD CLOCK WISE (CW) SWIRLING PARTS.

-PRO SILVER PRO TECHNOLOGY INCREASES ELECTRODE LIFETIME SIGNIFICANTLY COMPARED TO STANDARD COPPER ELECTRODES

THERMACUT®, FHT-EX® AND EX-TRAFIRE® ARE REGISTERED TRADEMARKS OF THERMACUT, K. S. AND MAY BE REGISTERED IN CZECH REPUBLIC AND/OR OTHER COUNTRIES. ALL OTHER TRADEMARKS ARE PROPERTIES OF THEIR RESPECTIVE OWNERS. THERMACUT IS NO WAY AFFILIATED WITH ESAB®/L-TEC®. MOST THERMACUT PARTS ARE MADE FOR OR BY AN IBG COMPANY. PARTS INDICATED WITH A OEM ARE ORIGINAL PARTS MANUFACTURED BY THE ABOVE NAMED MANUFACTURER AND ARE BEING RESOLD BY THERMACUT. THERMACUT RESERVES THE RIGHT TO SUBSTITUTE OEM PARTS IN PLACE OF THERMACUT PARTS. VALID FROM JULY 2017 • PREVIOUS VERSION IS NO LONGER VALID. © COPYRIGHT 2017 BY THERMACUT® CZECH REPUBLIC. ALL RIGHTS RESERVED.

# REPLACEMENT PARTS SUITABLE FOR ESAB®/L-TEC®

PT-600™



THERMACUT®, FHT-EX® AND EX-TRAFIRE® ARE REGISTERED TRADEMARKS OF THERMACUT, K. S. AND MAY BE REGISTERED IN CZECH REPUBLIC AND/OR OTHER COUNTRIES. ALL OTHER TRADEMARKS ARE PROPERTIES OF THEIR RESPECTIVE OWNERS. THERMACUT IS IN NO WAY AFFILIATED WITH ESAB®/L-TEC®. MOST THERMACUT PARTS ARE MADE FOR OR BY AN IBG COMPANY. PARTS INDICATED WITH A OEM ARE ORIGINAL PARTS MANUFACTURED BY THE ABOVE NAMED MANUFACTURER AND ARE BEING RESOLD BY THERMACUT. THERMACUT RESERVES THE RIGHT TO SUBSTITUTE OEM PARTS IN PLACE OF THERMACUT PARTS. VALID FROM JULY 2017 • PREVIOUS VERSION IS NO LONGER VALID. • © COPYRIGHT 2017 BY THERMACUT® CZECH REPUBLIC. ALL RIGHTS RESERVED.



# REPLACEMENT PARTS SUITABLE FOR ESAB®/L-TEC®

PT-600™



PRODUCT BROCHURE WITH DETAILS AT  
WWW.THERMACUT.COM

Item	Part No.	Ref. No.	Description	Std. Pkg.	Item	Part No.	Ref. No.	Description	Std. Pkg.
1.	T-10128	37081	Shield Retainer	1	ⓐ11.	T-11290* ⓑ	0558003914-PRO	Electrode 100-450A, O <sub>2</sub> , Silver PRO	5
2.	T-2266	21802	Shield 100-250A	1	ⓑ12.	T-11994 ⓑ	0558012000-PRO	Electrode 100-450A, O <sub>2</sub> , Silver PRO	5
	T-2267	21945	Shield 360A	1	ⓑ13.	T-11910 ⓑ	0558003928-UR	Electrode, N <sub>2</sub> /H35	5
	T-4580	21795 OEM	Shield 50A	5		T-10439	0558005459 OEM	Replaced by 0558003914-PRO	3
NS	T-10124	0558004678	Precision Shield 110-200A		ⓐ14.	T-11201 ⓐ	0558001621	Electrode Holder	1
3.	T-2269	21944	Diffuser 100-600A	1	ⓑ15.	T-11210 ⓑ	T-11210	Electrode Holder	1
	T-10331	22496	Diffuser 100-600A, CCW	1	16.	T-4606	0558002533	Gas Swirl Baffle, 4 hole x 0,032, CW	1
NS	T-2268	21796	Gas Diffuser 50A	1	17.	T-4607	0558002534	Gas Swirl Baffle, 4 hole x 0,032, CCW	1
4.	T-10129	37082	Nozzle Retaining Cap	1	18.	T-4636	0558001625	Gas Swirl Baffle, 8 hole x 0,047, CW	1
5.	T-1720	22026	Nozzle Tip 50A	5	19.	T-11119	0558002530	Gas Swirl Baffle, 8 Hole x 0,047, CCW	1
	T-1717	22029	Nozzle Tip 100A	5	20.	T-11942	37073	Screw	1
	T-1718	22030	Nozzle Tip 150A	5	21.	T-11863	0558003858	Cont. Ring with 2pcs Screws 37073(=37071)	1
	T-1719	22031	Nozzle Tip 200A	5	22.	T-12040	T-12040	Exchangeable insulator kit	1
5a.	T-1721	22027	Nozzle Base 50A	1	23.	PT-13160	0558001825-11	Plastic screw	1
	T-1722	22028	Nozzle Base 100-250A	1	24.	PT-13159	0558001825-10	Screw	1
6.	T-5331	0558001881	Nozzle 50A	1	25.	PT-12123	0558001825-8	Insulator body	1
	T-5332	0558001882	Nozzle 100A	1	26.	T-10283	0558001825	Torch Body	1
	T-5333	0558001883	Nozzle 150A	1	NS	T-11202	T-11202	Electrode holder wrench	1
	T-5334	0558001884	Nozzle 200A	1	NS	KT-1178	996248	PT-600™ Hose, power, 1,8m	1
	T-5330	0558001623	Nozzle 250A	1	NS	KT-1176	34360	PT-600™ Hose, plas., 1,8m	1
	T-5335	0558001885	Nozzle 360A	1	NS	KT-1189	33209	PT-600™ Hose, power, 4,6m	1
	T-5336	0558001886	Nozzle 400A	1	NS	KT-1330	33211	PT-600™ Hose, power, 7,6m	1
	T-5337	0558001887	Nozzle 600A	1	NS	KT-1177	37357	PT-600™ Cable, pilot, 2m	1
ⓐ	7.	T-11239	0558001624-PRO ⓐ	5	27.	N-20426	93750010	Hex Key Wrench for Contact Ring	1
ⓐ	8.	T-11240	T-11240-PRO ⓐ	5	28.	Cable Leads are available on request, because of more possible types of fittings.			
ⓐ	9.	T-11238	0558002516-PRO ⓐ	5	29.	Coolant Liquid. Details on Accessories page.			
ⓑ	10.	T-11303	T-11303-PRO ⓑ	5					

ⓐ MUST BE USED ONLY AS A SET OF ELECTRODE HOLDER 0558001621 AND 0558001624-PRO, T-11240-PRO, 0558002516-PRO ELECTRODES.

ⓑ MUST BE USED ONLY AS A SET OF ELECTRODE HOLDER T-11210 AND T-11303-PRO, 0558003914-PRO, 0558012000-PRO, 0558003928-UR ELECTRODES.

\* A UNIQUE DESIGN WHICH ENHANCES PERFORMANCE AND DIFFERS FROM OEM DESIGNS

CCW COUNTER CLOCK WISE GAS SWIRLING, USE OF CCW PARTS WILL MAKE CUT ANGLE ON THE OPPOSITE SIDE, THAN WITH STANDARD CLOCK WISE (CW) SWIRLING PARTS.

NS NOT SHOWN IN THE PICTURE

-PRO TECHNOLOGY OF SILVER INSERTED COPPER ELECTRODE BODY, WHICH SIGNIFICANTLY DECREASES ELECTRODE COSTS WITH SIMILAR WORK PERFORMANCE COMPARED TO FULL SILVER ELECTRODES.

SMART SOLUTION - DESIGN IMPROVEMENTS THAT BRINGS ADDED VALUE SUCH AS IMPROVED LIFETIME OF CONSUMABLES, EXCELLENT CUT QUALITY, SPEED OR BETTER COST EFFECTIVENESS OF YOUR SYSTEM

THERMACUT®, FHT-EX® AND EX-TRAFIRE® ARE REGISTERED TRADEMARKS OF THERMACUT, K. S. AND MAY BE REGISTERED IN CZECH REPUBLIC AND/OR OTHER COUNTRIES. ALL OTHER TRADEMARKS ARE PROPERTIES OF THEIR RESPECTIVE OWNERS. THERMACUT IS NO WAY AFFILIATED WITH ESAB®/L-TEC®.

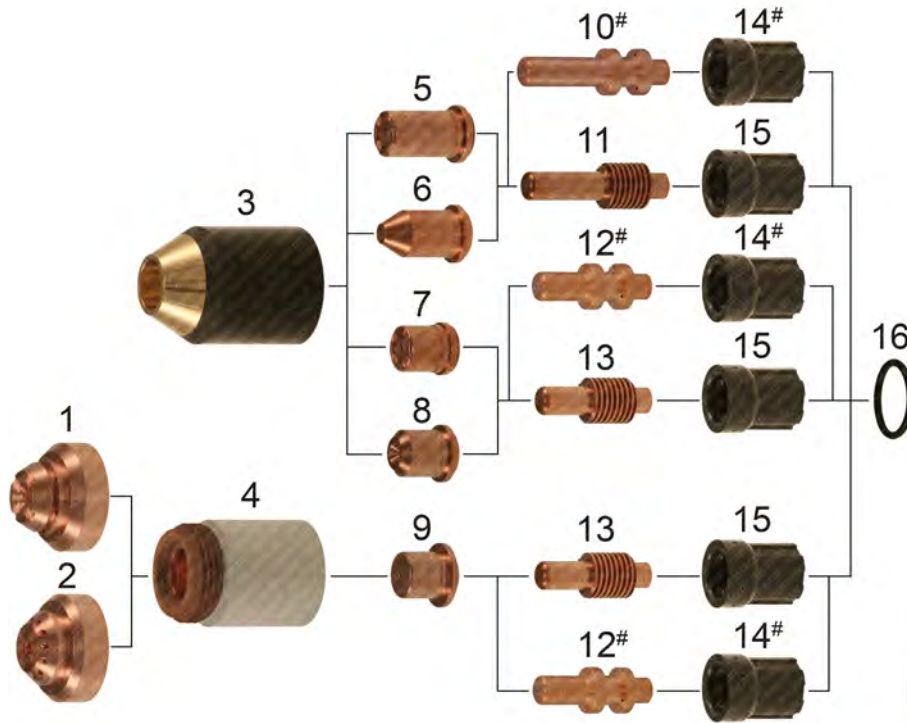
MOST THERMACUT PARTS ARE MADE FOR OR BY AN IBG COMPANY. PARTS INDICATED WITH A OEM ARE ORIGINAL PARTS MANUFACTURED BY THE ABOVE NAMED MANUFACTURER AND ARE BEING RESOLD BY THERMACUT. THERMACUT RESERVES THE RIGHT TO SUBSTITUTE OEM PARTS IN PLACE OF THERMACUT PARTS.

VALID FROM JULY 2017 • PREVIOUS VERSION IS NO LONGER VALID. • © COPYRIGHT 2017 BY THERMACUT® CZECH REPUBLIC. ALL RIGHTS RESERVED.



# REPLACEMENT PARTS SUITABLE FOR HYPERTHERM®

MAX®40cs/MAX®42/MAX®43 | PAC®120/PAC®125T



Item	Part No.	Ref. No.	Description	Std. Pkg.	Item	Part No.	Ref. No.	Description	Std. Pkg.
*1.	T-9824*	120601-UR	Shield, Hand	1	10.	T-2298	120574	Electrode, Extended	5
*2.	T-9825*	120602-UR	Shield, Machine	1	#11.	T-4450 #	120573-UR	Electrode, Long Life	5
3.	T-9580	020930	Retaining Cap	1	12.	T-3419	120573	Electrode	5
NS	T-12045	120600	Retaining Cap	1	#13.	T-4452 #	020361-UR	Swirl Ring	2
4.	T-0089	020546	Nozzle, Extended	10	14.	T-0029	020361	Swirl Ring	2
5.	T-0093	120023	Nozzle, Pipe Saddle	5	15.	T-0038	044016	O-Ring	1
	T-1799	020542	Nozzle	10	NS	T-10269	120570	Torch Body	1
6.	T-0027	020350	Nozzle, 40Amp	10	NS	T-4554	083066	Torch Assy, Hand, 25'	1
	T-0028	020395	Nozzle	10	NS	T-4555	083067	Torch Assy, Hand, 50'	1
7.	T-0094	020539	Nozzle, Gouging	10	NS	KT-1405	128925	RT60M® Cable Leads 50' with CC	1
8.	T-3420	120438	Nozzle	1	NS	KT-1406	083218-UR	RT60M® Machine Torch with Leads 50' with CC	1
#9.	T-4451 #	120574-UR	Electrode, Extended, Long Life	5					

\* FULLY INTERCHANGEABLE AND COMPATIBLE WITH ORIGINAL PARTS, BUT DIFFERS FROM ORIGINAL DESIGN  
 # MUST BE USED ONLY AS THE SET OF ELECTRODE & SWIRL RING LIKE SHOWN IN THE PICTURE (-UR DESIGN VERSION OR OEM VERSION), SET OFFERS LIFETIME LONGER UP TO 50%  
 NS NOT SHOWN IN THE PICTURE  
 SMART SOLUTION - DESIGN IMPROVEMENTS THAT BRINGS ADDED VALUE SUCH AS IMPROVED LIFETIME OF CONSUMABLES, EXCELLENT CUT QUALITY, SPEED OR BETTER COST EFFECTIVENESS OF YOUR SYSTEM

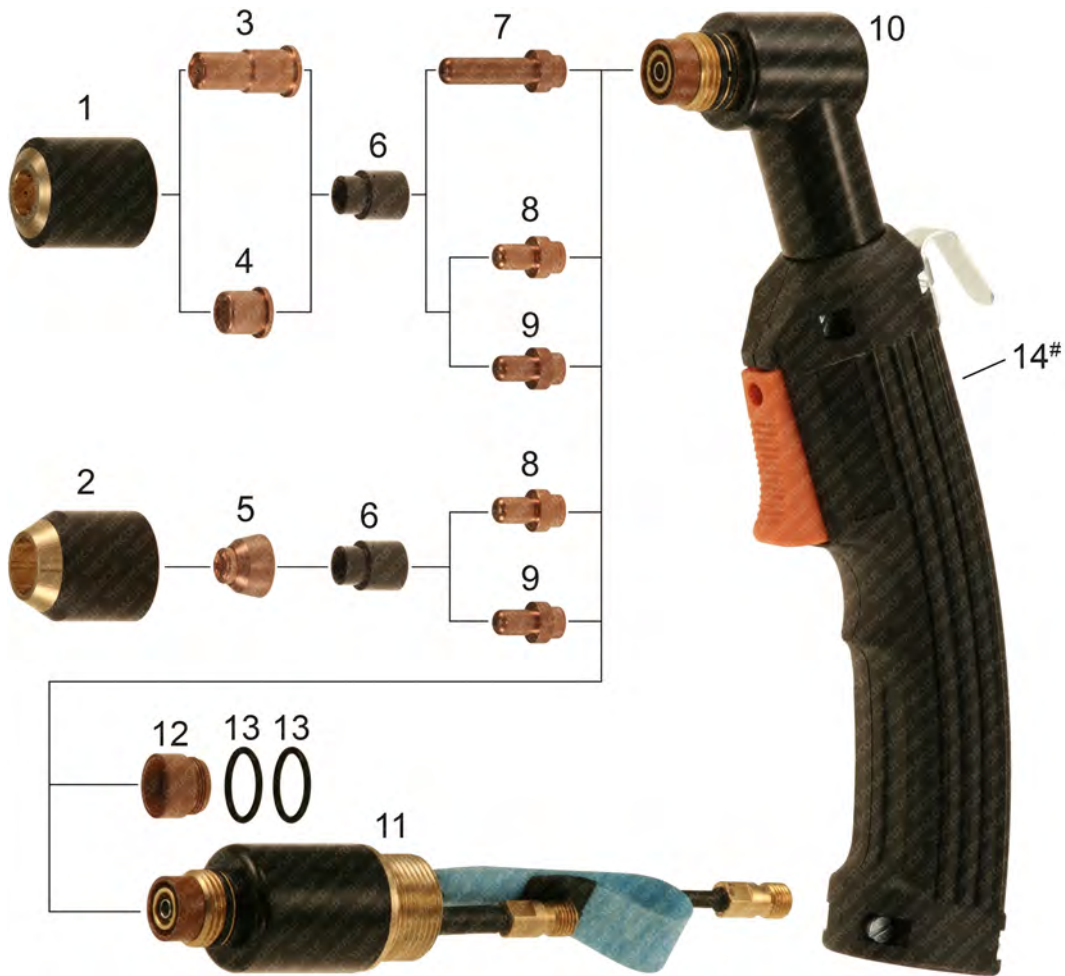
THERMACUT®, FHT-EX® AND EX-TRAFIRE® ARE REGISTERED TRADEMARKS OF THERMACUT, K. S. AND MAY BE REGISTERED IN CZECH REPUBLIC AND/OR OTHER COUNTRIES. ALL OTHER TRADEMARKS ARE PROPERTIES OF THEIR RESPECTIVE OWNERS. THERMACUT IS NO WAY AFFILIATED WITH HYPERTHERM®.  
 MOST THERMACUT PARTS ARE MADE FOR OR BY AN IBG COMPANY. PARTS INDICATED WITH A OEM ARE ORIGINAL PARTS MANUFACTURED BY THE ABOVE NAMED MANUFACTURER AND ARE BEING RESOLD BY THERMACUT. THERMACUT RESERVES THE RIGHT TO SUBSTITUTE OEM PARTS IN PLACE OF THERMACUT PARTS.  
 VALID FROM JULY 2017 • PREVIOUS VERSION IS NO LONGER VALID. • © COPYRIGHT 2017 BY THERMACUT® CZECH REPUBLIC. ALL RIGHTS RESERVED.

---

- This page intentionally left blank -

# REPLACEMENT PARTS SUITABLE FOR HYPERTHERM®

MAX®40 | PAC®140/M



Item	Part No.	Ref. No.	Description	Std. Pkg.	Item	Part No.	Ref. No.	Description	Std. Pkg.
1.	T-0043	020104	Retaining Cap, Standard	1	9.	T-0052	020103	Electrode, Air	10
2.	T-0044	020200	Retaining Cap, Tapered	1	10.,14.	T-0055	020122	PAC®140 Hand Torch + Handle	1
3.	T-0050	020466	Nozzle, Extended	10	11.	T-0056	020114	PAC®140/M Machine Torch	1
4.	T-0045	020115	Nozzle 40A	10	12.	T-0095	020114-1	Front Insulator	1
	T-0046	020102	Nozzle 40A (HT®40)	10	13.	T-0038	044016	O-Ring	1
5.	T-0048	020197	Nozzle 40A, Tapered	10	#14.	T-1040#	9-5636-1	Handle	5
NS	T-0096	020340	Nozzle, Gouging	10	NS	KT-1229	K.PAC140H.5M	PAC®140/H Hand Torch with Lead 5m (16')	1
NS	T-0047	020131	Nozzle, Pipe Saddle (HT®40)	10	NS	KT-1210	057112	PAC®140/H Hand Torch with Lead 7,6m (25')	1
6.	T-0051	020101	Swirl Ring	2	NS	KT-1261	057113	PAC®140/H Hand Torch with Lead 15,2m (50')	1
7.	T-0054	020467	Electrode, Extended	5	NS	KT-1084	028290	PAC®140/M Cable Leads, Mach. 15,2m (50')	1
8.	T-0053	020167	Electrode, N <sub>2</sub>	10				Different types of cable leads available on request	

# ONLY FOR THERMACUT TORCH DESIGN

NS NOT SHOWN IN THE PICTURE

MAX®40 AND HT®40 PARTS ARE FULLY INTERCHANGEABLE IN CASE OF NEED.

THERMACUT®, FHT-EX® AND EX-TRAFIRE® ARE REGISTERED TRADEMARKS OF THERMACUT, K. S. AND MAY BE REGISTERED IN CZECH REPUBLIC AND/OR OTHER COUNTRIES. ALL OTHER TRADEMARKS ARE PROPERTIES OF THEIR RESPECTIVE OWNERS. THERMACUT IS NO WAY AFFILIATED WITH HYPERTHERM®.

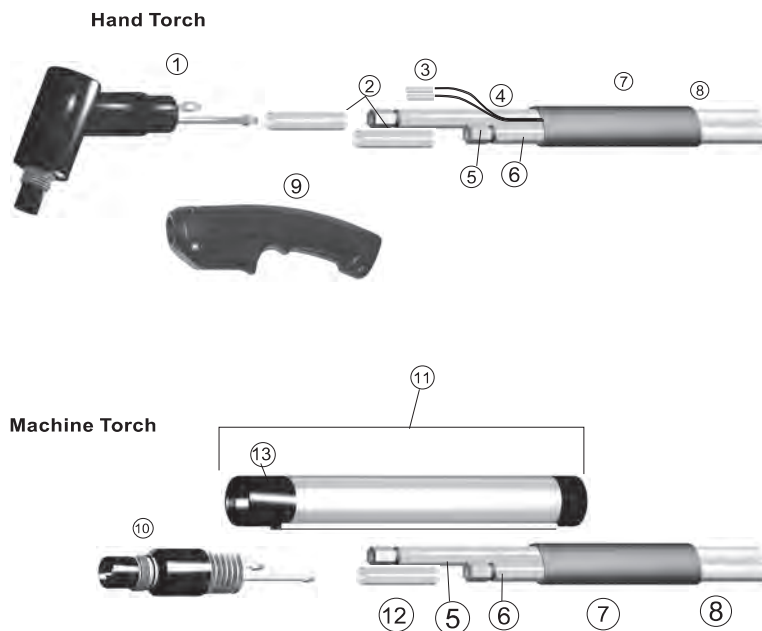
MOST THERMACUT PARTS ARE MADE FOR OR BY AN IBG COMPANY. PARTS INDICATED WITH A OEM ARE ORIGINAL PARTS MANUFACTURED BY THE ABOVE NAMED MANUFACTURER AND ARE BEING RESOLD BY THERMACUT. THERMACUT RESERVES THE RIGHT TO SUBSTITUTE OEM PARTS IN PLACE OF THERMACUT PARTS.

VALID FROM JULY 2017 • PREVIOUS VERSION IS NO LONGER VALID. • © COPYRIGHT 2017 BY THERMACUT® CZECH REPUBLIC. ALL RIGHTS RESERVED.

# REPLACEMENT PARTS SUITABLE FOR HYPERTHERM®

MAX®40 | PAC®140/M

## ACCESSORIES



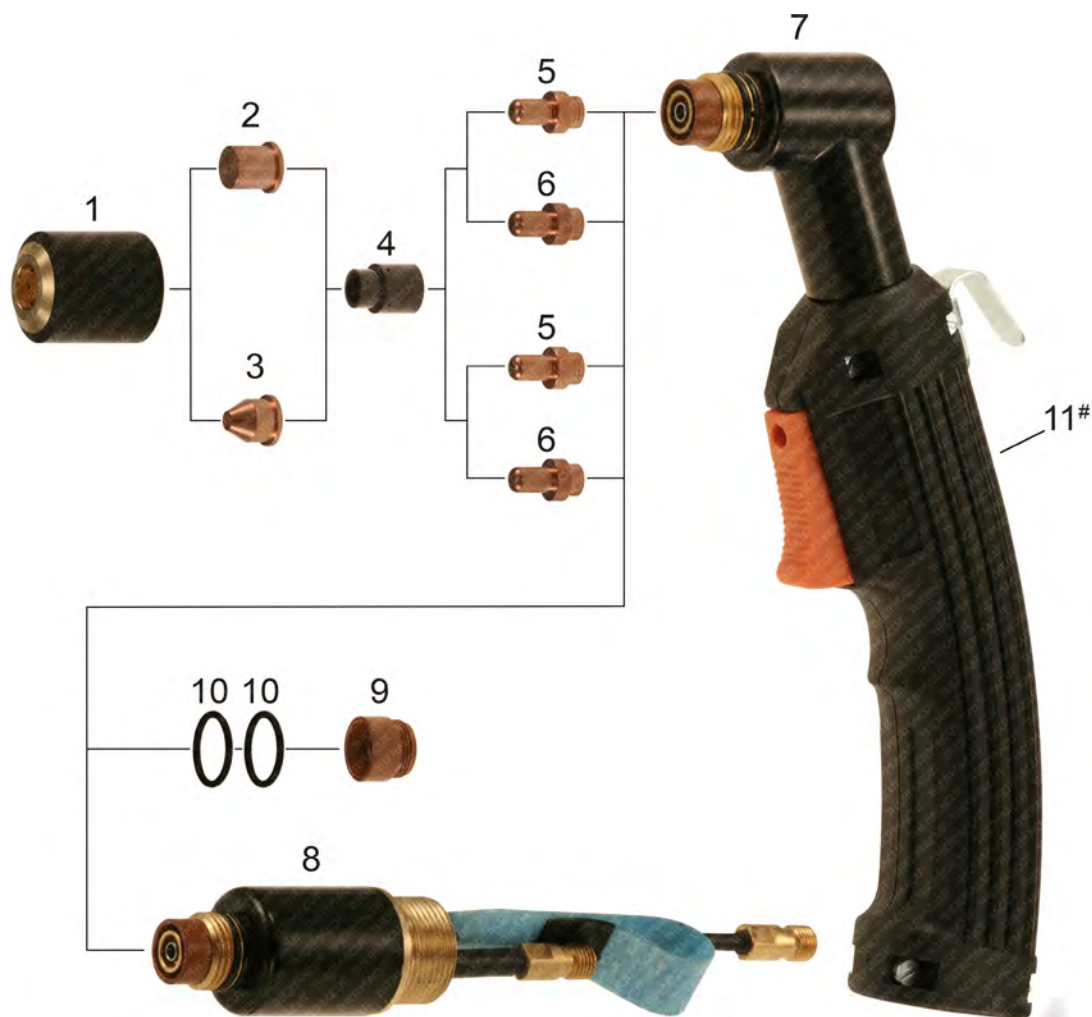
Item	Part No.	Ref. No.	Description	Std. Pkg.	Item	Part No.	Ref. No.	Description	Std. Pkg.
1.	T-0055	020122	TMT40, Torch W/Handle	1	8.	T-0699	046034	Shielded Braid, Mach.	1
2.	T-0684	020536 OEM	Lead Insulator (2)	1		T-0700	046038	Sheathing, Hand	1
3.	T-1039	074069	Splice (2)	1	9.	T-1040	9-5636-1	Handle W/Switch	1
4.	T-0701	047032	Control Cable	1	10.	T-0056	020114	TMT 40, Machine Torch	1
5.	T-0685	023156	Lead, Power, 25'	1	11.	T-0682	020231 OEM	Position. Sleeve, 10" Rack	1
	T-0687	023158	Lead, Power, 35'	1		T-0683	020269 OEM	Position. Sleeve, 18" Rack	1
	T-0689	023160	Lead, Power, 50'	1	12.	T-0679	004302 OEM	Lead Insulator	1
6.	T-0686	023157	Lead, Hi-Frequency, 25'	1	13.	T-0681	020205 OEM	Insulating Sleeve	1
	T-0688	023159	Lead, Hi-Frequency, 35'	1	NS	T-0704	057019	Machine Torch w/25' Leads	1
	T-0690	023161	Lead, Hi-Frequency, 50'	1	NS	T-0705	057020	Machine Torch w/50' Leads	1
7.	T-0694	028288	Leads, 25' Shielded	1	NS	T-0706	057053	Machine Torch w/25' Leads	1
	T-0695	028289	Leads, 35' Shielded	1	NS	T-0707	057054	Machine Torch w/50' Leads	1
	T-0696	028290	Leads, 50' Shielded	1	NS	T-0708	057112	Hand Torch w/25' Leads	1
	T-0697	029129	Leads, 25' Hand	1	NS	T-0709	057113	Hand Torch w/50' Leads	1
	T-0698	029130	Leads, 50' Hand	1	NS	T-0644	005094	Switch	1

THERMACUT®, FHT-EX® AND EX-TRAFIRE® ARE REGISTERED TRADEMARKS OF THERMACUT, K. S. AND MAY BE REGISTERED IN CZECH REPUBLIC AND/OR OTHER COUNTRIES. ALL OTHER TRADEMARKS ARE PROPERTIES OF THEIR RESPECTIVE OWNERS. THERMACUT IS NO WAY AFFILIATED WITH HYPERTHERM®. MOST THERMACUT PARTS ARE MADE FOR OR BY AN IBG COMPANY. PARTS INDICATED WITH A OEM ARE ORIGINAL PARTS MANUFACTURED BY THE ABOVE NAMED MANUFACTURER AND ARE BEING RESOLD BY THERMACUT. THERMACUT RESERVES THE RIGHT TO SUBSTITUTE OEM PARTS IN PLACE OF THERMACUT PARTS. VALID FROM JULY 2017 • PREVIOUS VERSION IS NO LONGER VALID. © COPYRIGHT 2017 BY THERMACUT® CZECH REPUBLIC. ALL RIGHTS RESERVED.



# REPLACEMENT PARTS SUITABLE FOR HYPERTHERM®

HT®40 | PAC®140/M



Item	Part No.	Ref. No.	Description	Std. Pkg.	Item	Part No.	Ref. No.	Description	Std. Pkg.
1.	T-0043	020104	Retaining Cap, Standard	1	9.	T-0095	020114-1	Front Insulator	1
2.	T-0046	020102	Nozzle 40A	1	10.	T-0038	044016	O-Ring	1
3.	T-0047	020131	Nozzle, Pipe Saddle	1	#11.	T-1040#	9-5636-1	Handle	1
4.	T-0051	020101	Swirl Ring	1	NS	KT-1229	K.PAC140H.5M	PAC®140/H Hand Torch with Lead 5m (16')	1
5.	T-0053	020167	Electrode, N <sub>2</sub>	5	NS	KT-1210	057112	PAC®140/H Hand Torch with Lead 7,6m (25')	1
6.	T-0052	020103	Electrode, Air	5	NS	KT-1261	057113	PAC®140/H Hand Torch with Lead 15,2m (50')	1
7., 11.	T-0055	020122	PAC®140 Hand Torch + Handle	1	NS	KT-1084	028290	PAC®140/M Cable Leads, Mach. 15,2m (50')	1
8.	T-0056	020114	PAC®140/M Machine Torch	1	Different types of cable leads available on request				

# ONLY FOR THERMACUT TORCH DESIGN

NS NOT SHOWN IN THE PICTURE

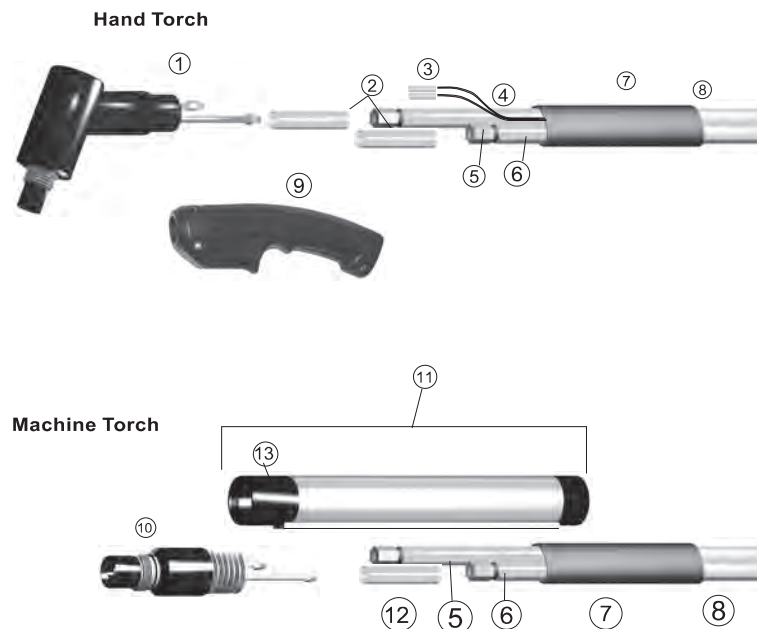
MAX®40 AND HT®40 PARTS ARE FULLY INTERCHANGEABLE IN CASE OF NEED.

THERMACUT®, FHT-EX® AND EX-TRAFIRE® ARE REGISTERED TRADEMARKS OF THERMACUT, K. S. AND MAY BE REGISTERED IN CZECH REPUBLIC AND/OR OTHER COUNTRIES. ALL OTHER TRADEMARKS ARE PROPERTIES OF THEIR RESPECTIVE OWNERS. THERMACUT IS NO WAY AFFILIATED WITH HYPERTHERM®. MOST THERMACUT PARTS ARE MADE FOR OR BY AN IBG COMPANY. PARTS INDICATED WITH A OEM ARE ORIGINAL PARTS MANUFACTURED BY THE ABOVE NAMED MANUFACTURER AND ARE BEING RESOLD BY THERMACUT. THERMACUT RESERVES THE RIGHT TO SUBSTITUTE OEM PARTS IN PLACE OF THERMACUT PARTS. VALID FROM JULY 2017 • PREVIOUS VERSION IS NO LONGER VALID. • © COPYRIGHT 2017 BY THERMACUT® CZECH REPUBLIC. ALL RIGHTS RESERVED.

# REPLACEMENT PARTS SUITABLE FOR HYPERTHERM®

HT®40 | PAC®140/M

## ACCESSORIES

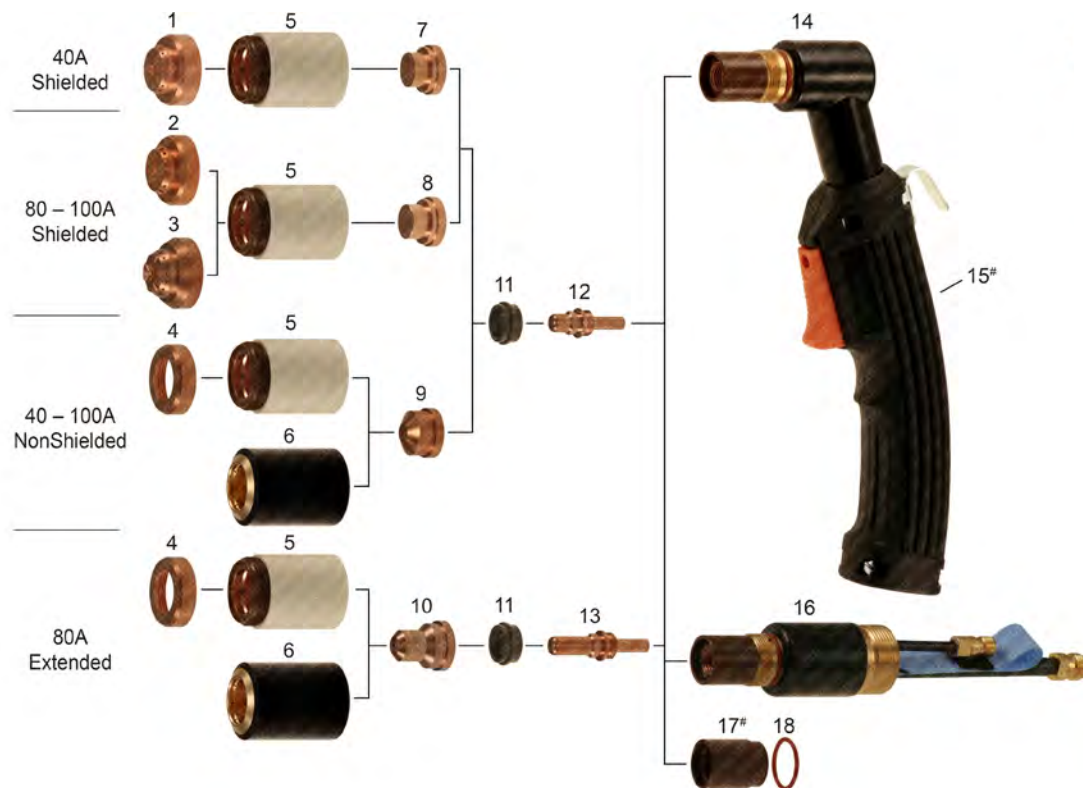


Item	Part No.	Ref. No.	Description	Std. Pkg.	Item	Part No.	Ref. No.	Description	Std. Pkg.
1.	T-0055	020122	TMT40, Torch W/Handle	1	8.	T-0699	046034	Shielded Braid, Mach.	1
2.	T-0684	020536 OEM	Lead Insulator (2)	1		T-0700	046038	Sheathing, Hand	1
3.	T-1039	074069	Splice (2)	1	9.	T-1040	9-5636-1	Handle W/Switch	1
4.	T-0701	047032	Control Cable	1	10.	T-0056	020114	TMT 40, Machine Torch	1
5.	T-0685	023156	Lead, Power, 25'	1	11.	T-0682	020231 OEM	Position. Sleeve, 10" Rack	1
	T-0687	023158	Lead, Power, 35'	1		T-0683	020269 OEM	Position. Sleeve, 18" Rack	1
	T-0689	023160	Lead, Power, 50'	1	12.	T-0679	004302 OEM	Lead Insulator	1
6.	T-0686	023157	Lead, Hi-Frequency, 25'	1	13.	T-0681	020205 OEM	Insulating Sleeve	1
	T-0688	023159	Lead, Hi-Frequency, 35'	1	NS	T-0704	057019	Machine Torch w/25' Leads	1
	T-0690	023161	Lead, Hi-Frequency, 50'	1	NS	T-0705	057020	Machine Torch w/50' Leads	1
7.	T-0694	028288	Leads, 25' Shielded	1	NS	T-0706	057053	Machine Torch w/25' Leads	1
	T-0695	028289	Leads, 35' Shielded	1	NS	T-0707	057054	Machine Torch w/50' Leads	1
	T-0696	028290	Leads, 50' Shielded	1	NS	T-0708	057112	Hand Torch w/25' Leads	1
	T-0697	029129	Leads, 25' Hand	1	NS	T-0709	057113	Hand Torch w/50' Leads	1
	T-0698	029130	Leads, 50' Hand	1	NS	T-0644	005094	Switch	1

THERMACUT®, FHT-EX® AND EX-TRAFIRE® ARE REGISTERED TRADEMARKS OF THERMACUT, K. S. AND MAY BE REGISTERED IN CZECH REPUBLIC AND/OR OTHER COUNTRIES. ALL OTHER TRADEMARKS ARE PROPERTIES OF THEIR RESPECTIVE OWNERS. THERMACUT IS NO WAY AFFILIATED WITH HYPERTHERM®. MOST THERMACUT PARTS ARE MADE FOR OR BY AN IBG COMPANY. PARTS INDICATED WITH A OEM ARE ORIGINAL PARTS MANUFACTURED BY THE ABOVE NAMED MANUFACTURER AND ARE BEING RESOLD BY THERMACUT. THERMACUT RESERVES THE RIGHT TO SUBSTITUTE OEM PARTS IN PLACE OF THERMACUT PARTS. VALID FROM JULY 2017 • PREVIOUS VERSION IS NO LONGER VALID. • © COPYRIGHT 2017 BY THERMACUT® CZECH REPUBLIC. ALL RIGHTS RESERVED.

# REPLACEMENT PARTS SUITABLE FOR HYPERTHERM®

MAX®70/MAX®80/MAX®100  
PAC®130/M



Item	Part No.	Ref. No.	Description	Std. Pkg.	Item	Part No.	Ref. No.	Description	Std. Pkg.
1.	T-1041	020492	Shield Mach. 40A-MAX®100, 60A-MAX®100D	1	10.	T-0100	020563	Nozzle 80A, Extended	5
2.	T-0071	020334	Shield, Machine 100A	1	NS	T-0064	020339	Nozzle 100A, Gouging	5
3.	T-0072	020335	Shield, Hand 100A	1	11.	T-0065	020194	Swirl Ring	2
4.	T-0070	020333	Deflector	1	12.	T-8128	120433	Electrode 80A, 100A	5
5.	T-4609	020336	Retaining Cap	1		T-0066	020191	Electrode 80A, 100A	5
6.	T-0058	020184	Retaining Cap	1		T-0067	020193	Electrode 40A, 80A, 100A	5
7.	T-0099	020396	Nozzle 40A, Shielded	5	13.	T-0098	020564	Electrode, Extended	5
8.	T-0062	020397	Nozzle 80A, Shielded	5	14.,15.	T-0068	020189	PAC®130, Hand Torch + Handle	1
	T-0063	020337	Nozzle 100A, Shielded	5	#15.	T-1040#	9-5636-1	Handle	5
9.	T-0059	020203	Nozzle 40A, NonShielded	5	16.	T-0069	020201	PAC®130/M, Machine Torch Main Body	1
	T-0060	020345	Nozzle 80A, NonShielded	5	#17.	T-0097#	020189-1	Insulator (only for TMT torch)	1
	T-0061	020195	Nozzle 100A, NonShielded	5	18.	T-0074	026018	O-Ring	1

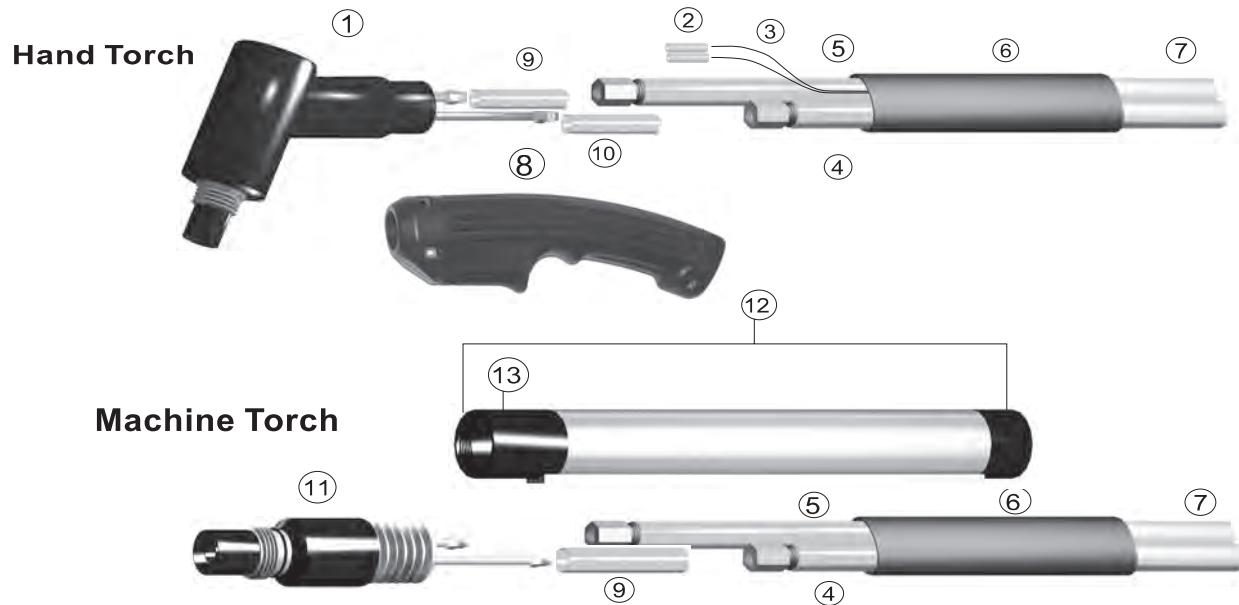
# ONLY FOR THERMACUT TORCH DESIGN

THERMACUT®, FHT-EX® AND EX-TRAFIRE® ARE REGISTERED TRADEMARKS OF THERMACUT, K. S. AND MAY BE REGISTERED IN CZECH REPUBLIC AND/OR OTHER COUNTRIES. ALL OTHER TRADEMARKS ARE PROPERTIES OF THEIR RESPECTIVE OWNERS. THERMACUT IS NO WAY AFFILIATED WITH HYPERTHERM®. MOST THERMACUT PARTS ARE MADE FOR OR BY AN IBG COMPANY. PARTS INDICATED WITH A OEM ARE ORIGINAL PARTS MANUFACTURED BY THE ABOVE NAMED MANUFACTURER AND ARE BEING RESOLD BY THERMACUT. THERMACUT RESERVES THE RIGHT TO SUBSTITUTE OEM PARTS IN PLACE OF THERMACUT PARTS.  
VALID FROM JULY 2017 • PREVIOUS VERSION IS NO LONGER VALID. • © COPYRIGHT 2017 BY THERMACUT® CZECH REPUBLIC. ALL RIGHTS RESERVED.

# REPLACEMENT PARTS SUITABLE FOR HYPERTHERM®

MAX®70/MAX®80/MAX®100  
PAC®130/M

## ACCESSORIES



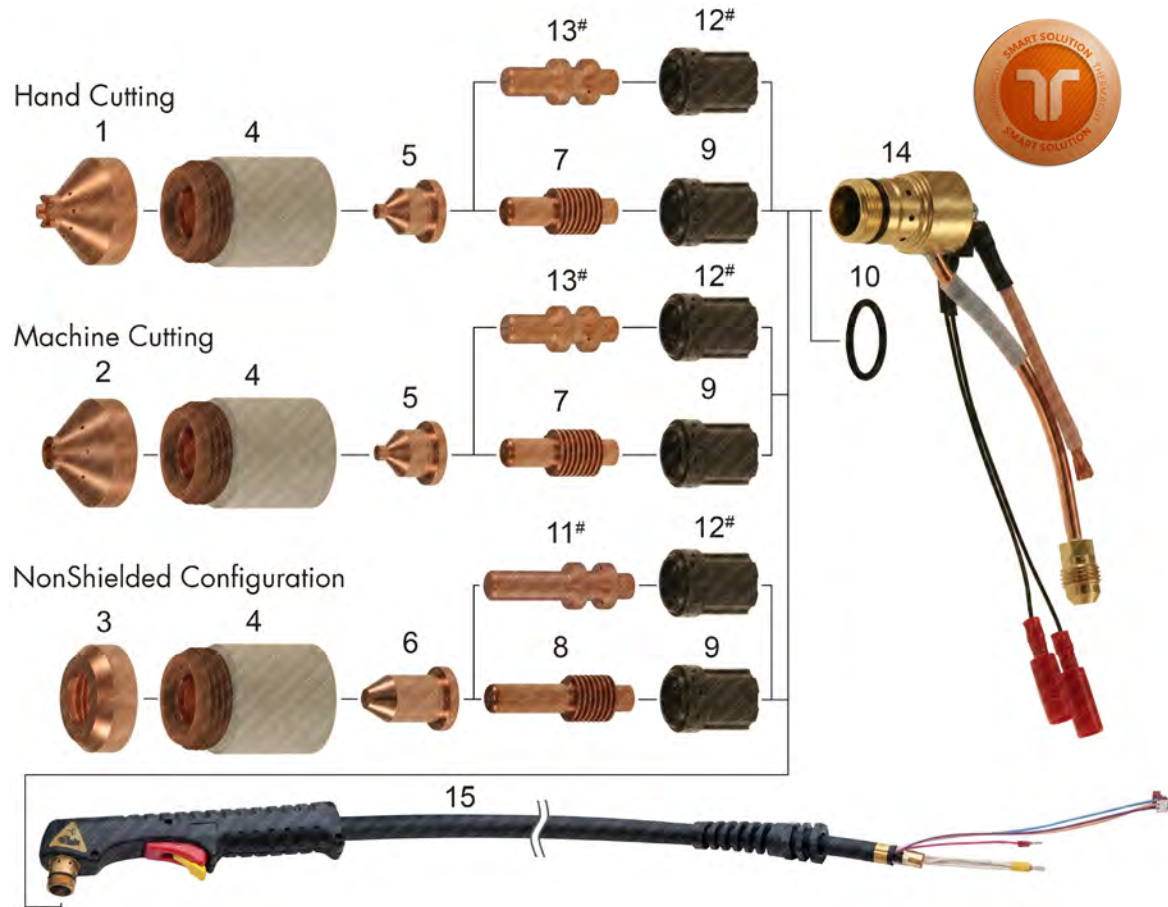
Item	Part No.	Ref. No.	Description	Std. Pkg.	Item	Part No.	Ref. No.	Description	Std. Pkg.
1.	T-0068	020189	TMT 100, Hand Torch	1	T-0700	046038		Sheathing	FT.
2.	T-1039	074069	Splice (2)	1	8.	T-1040	9-5636-1	Handle W/Switch	1
3.	T-0701	047032	Control Cable	FT.	9.	T-0716	020468	Negative Lead Insulator	1
4.	T-0718	023198	Lead, Power, 25'	1	10.	T-0684	020536 OEM	Pilot Arc Lead Insulator	1
	T-0719	023199	Lead, Power, 50'	1	11.	T-0069	020201	TMT 100, Machine Torch	1
	T-0722	023262	Leads, Power 75'	1	12.	T-0713	020243 OEM	Positioning Sleeve, 10" Rack	1
5.	T-0720	023200	Lead, Hi-Frequency, 25'	1	13.	T-0714	020244 OEM	Insulating Sleeve	1
	T-0721	023201	Lead, Hi-Frequency, 50'	1		T-0117	020242 OEM	Insulating Sleeve for 020243	1
	T-0723	023263	Leads, Hi-Frequency, 75'	1	NS	T-0644	005094	Switch	1
6.	T-0725	028326	Shielded Leads, 25'	1	NS	T-0732	059008	Machine Torch w/25' Leads	1
	T-3722	028524**	Shielded Leads 25', w/ QD	1	NS	T-4196	059096**	Machine Torch w/ 25' Leads, w/ QD	1
	T-0726	028327	Shielded Leads, 50'	1	NS	T-0733	059009	Machine Torch w/50' Leads	1
	T-2925	028525**	Shielded Leads 50', w/ QD	1	NS	T-3501	059097**	Machine Torch w/ 50' Leads, w/ QD	1
	T-0728	028335	Leads, Shielded, 75'	1	NS	T-0744	059031	Machine Torch w/ 75' Leads, w/o QD	1
	T-3956	028526**	Shielded Leads 75', w/ QD	1	NS	T-0756	059076	Hand Torch w/ 25' Leads	1
	T-0729	029198	Leads Package, 25'	1	NS	T-0757	059077	Hand Torch w/50' Leads	1
	T-0730	029199	Leads Package, 50'	1	NS	T-0758	059079	Hand Torch w/ 75' Leads, w/o QD	1
	T-0371	029229	Hand Leads, 75'	1	NS	T-3355	059095**	Hand Torch w/ 75' Leads, w/ QD	1
	T-2905	029667**	Leads Package, 25', w/QD	1	NS	T-0158	059093**	Hand Torch w/25' Leads & QD	1
7.	T-2906	029668**	Leads Package, 50' w/QD	1	NS	T-1849	059094**	Hand Torch w/50' Leads & QD	1
	T-0699	046034	Shielded Braid	FT.					

THERMACUT®, FHT-EX® AND EX-TRAFIRE® ARE REGISTERED TRADEMARKS OF THERMACUT, K. S. AND MAY BE REGISTERED IN CZECH REPUBLIC AND/OR OTHER COUNTRIES. ALL OTHER TRADEMARKS ARE PROPERTIES OF THEIR RESPECTIVE OWNERS. THERMACUT IS NO WAY AFFILIATED WITH HYPERTHERM®. MOST THERMACUT PARTS ARE MADE FOR OR BY AN IBG COMPANY. PARTS INDICATED WITH A OEM ARE ORIGINAL PARTS MANUFACTURED BY THE ABOVE NAMED MANUFACTURER AND ARE BEING RESOLD BY THERMACUT. THERMACUT RESERVES THE RIGHT TO SUBSTITUTE OEM PARTS IN PLACE OF THERMACUT PARTS. VALID FROM JULY 2017 • PREVIOUS VERSION IS NO LONGER VALID. © COPYRIGHT 2017 BY THERMACUT® CZECH REPUBLIC. ALL RIGHTS RESERVED.



# REPLACEMENT PARTS SUITABLE FOR HYPERTHERM®

POWERMAX® 600 | PAC®123T/M



Item	Part No.	Ref. No.	Description	Std. Pkg.	Item	Part No.	Ref. No.	Description	Std. Pkg.
1.	T-2849	120828-UR	Shield 40A, Hand	1	#13.	T-4450 #	120573-UR	Electrode, Long Life	5
2.	T-2848	120827-UR	Shield 40A, Machine	1	14.	T-10269	120570	Torch Main Body with Safety Switch	1
3.	T-1564	120303	Deflector	1	15.	086002		PAC123T® Hand Torch with Lead 7.6m [25']	1
*4.	T-12045*	120600	Retaining Cap	1		T-4554	083066	Torch Assy, Hand (25')	1
5.	T-4705	120826	Nozzle 40A	1		T-4555	083067	Torch Assy, Hand (50')	1
6.	T-3418	120606	Nozzle 35A, Extended	1		T-4559	129600	Torch Leads, 25'	1
7.	T-3419	120573	Electrode	5			129601	Torch Leads, 50'	1
8.	T-2298	120574	Electrode, Extended	5			086023	Torch Assy, Hand 25'	1
9.	T-2230	120576	Swirl Ring	1		T-4590	086024	Torch Assy, Hand 25'	1
10.	T-0038	044016	O-Ring	1		T-10609	086025	Torch Assy. Hand 50'	1
#11.	T-4451#	120574-UR	Electrode, Extended, Long Life	5	Different types of cable leads available upon request				
#12.	T-4453 #	120576-UR	Swirl Ring, Long Life	5					

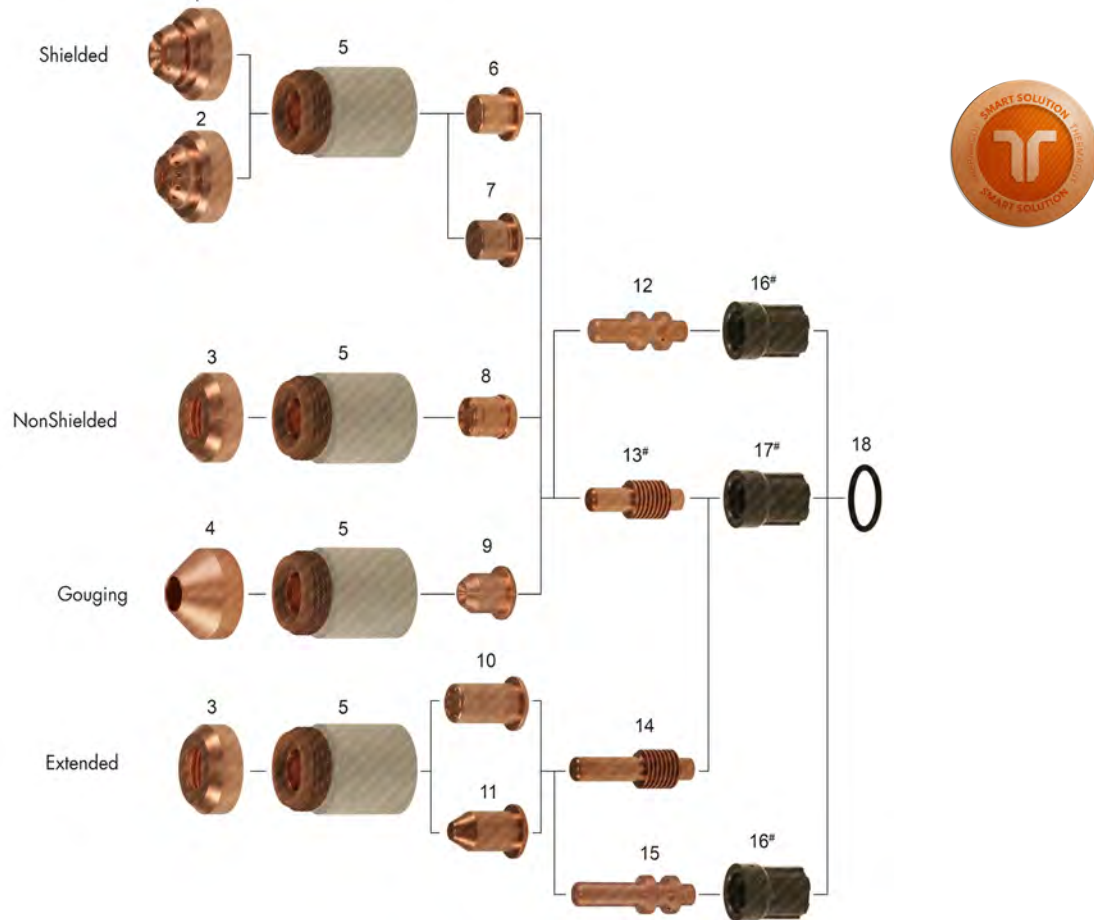
\* FULLY INTERCHANGEABLE AND COMPATIBLE WITH ORIGINAL PARTS, BUT DIFFERS FROM ORIGINAL DESIGN

# MUST BE USED ONLY AS THE SET OF ELECTRODE & SWIRL RING LIKE SHOWN IN THE PICTURE (-UR DESIGN VERSION OR OEM VERSION)

THERMACUT®, FHT-EX® AND EX-TRAFIRE® ARE REGISTERED TRADEMARKS OF THERMACUT, K. S. AND MAY BE REGISTERED IN CZECH REPUBLIC AND/OR OTHER COUNTRIES. ALL OTHER TRADEMARKS ARE PROPERTIES OF THEIR RESPECTIVE OWNERS. THERMACUT IS NO WAY AFFILIATED WITH HYPERTHERM®. MOST THERMACUT PARTS ARE MADE FOR OR BY AN IBG COMPANY. PARTS INDICATED WITH A OEM ARE ORIGINAL PARTS MANUFACTURED BY THE ABOVE NAMED MANUFACTURER AND ARE BEING RESOLD BY THERMACUT. THERMACUT RESERVES THE RIGHT TO SUBSTITUTE OEM PARTS IN PLACE OF THERMACUT PARTS. VALID FROM JULY 2017 • PREVIOUS VERSION IS NO LONGER VALID. • © COPYRIGHT 2017 BY THERMACUT® CZECH REPUBLIC. ALL RIGHTS RESERVED.

# REPLACEMENT PARTS SUITABLE FOR HYPERTHERM®

POWERMAX® 800 | PAC®121T/M/125T/M



Item	Part No.	Ref. No.	Description	Std. Pkg.	Item	Part No.	Ref. No.	Description	Std. Pkg.
*1.	T-9824*	120601-UR	Shield, Hand	1	14.	T-2298	120574	Electrode, Extended	5
*2.	T-9825*	120602-UR	Shield, Machine	1	#15.	T-4451#	120574-UR	Electrode, Extended, Long Life	5
3.	T-1564	120303	Deflector	1	#16.	T-4452#	020361-UR	Swirl Ring, Long Life	1
4.	T-3412	120608	Shield, Gouging	1	17.	T-0029	020361	Swirl Ring	1
*5.	T-12045*	120600	Retaining Cap	1	18.	T-0038	044016	O-Ring	1
6.	T-1567	120282	Nozzle, 50A, Shielded	1	NS T-10269	120570	Torch Main Body with Safety Switch	1	
7.	T-3420	120438	Nozzle, 40A, Shielded	1	NS T-4554	083066	Torch Assy, Hand 25'	1	
8.	T-0028	020395	Nozzle, NonShielded	10	NS T-4555	083067	Torch Assy, Hand 50'	1	
9.	T-1568	120281	Nozzle, Gouging	1	NS T-2852	129001	Torch Lead, 25'	1	
10.	T-1569	120304	Nozzle, Extended	1	NS T-4500	129002	Torch Lead, 50'	1	
11.	T-1570	120305	Nozzle, Pipe Saddle, Extended	1	NS KT-1399	128922	RT60® Cable Leads 25' with CC	1	
NS	T-9999	220330	Nozzle (PAC123®, FineCut®)	1	NS KT-1398	083215-UR	RT60® Hand Torch with Lead 25' with CC	1	
#12.	T-4450#	120573-UR	Electrode, Long Life	5	Different types of cable leads available upon request				
13.	T-3419	120573	Electrode	5					

\* FULLY INTERCHANGEABLE AND COMPATIBLE WITH ORIGINAL PARTS, BUT DIFFERS FROM ORIGINAL DESIGN

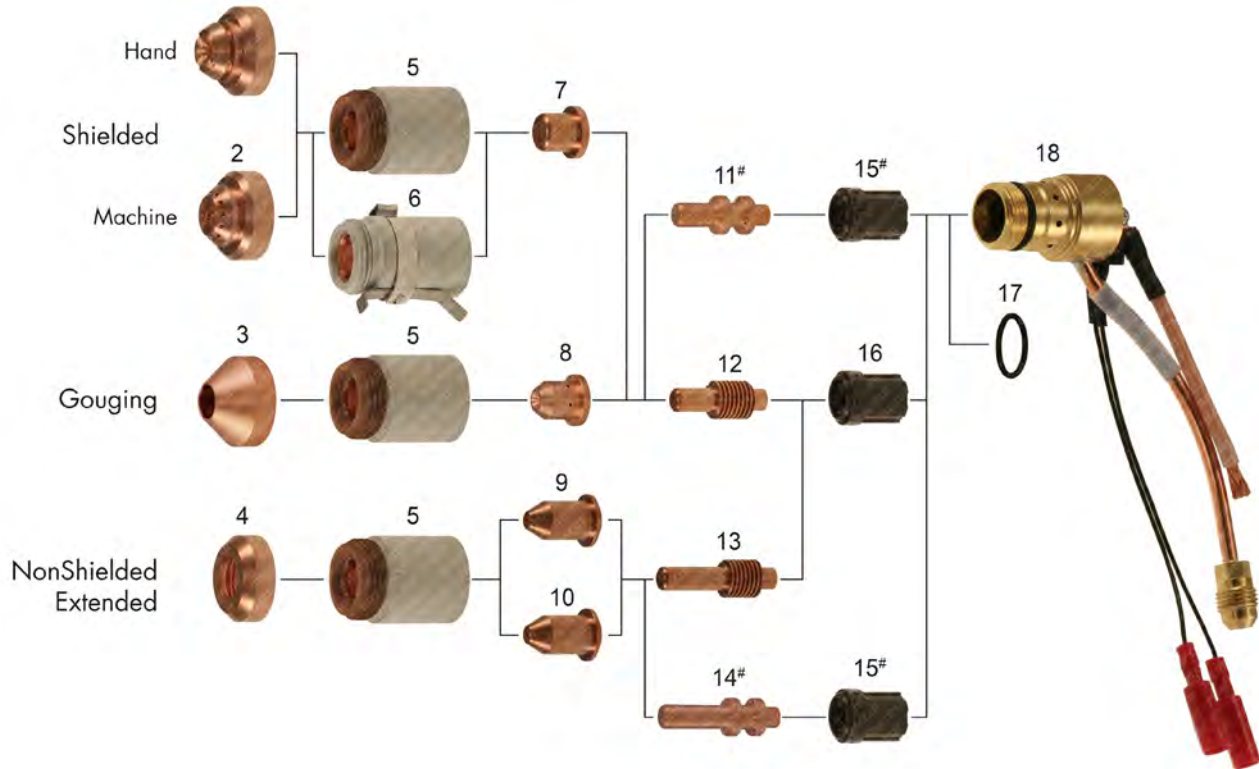
# MUST BE USED ONLY AS THE SET OF ELECTRODE & SWIRL RING, LIKE SHOWN IN THE PICTURE (UR DESIGN VERSION OR OEM DESIGN VERSION)  
SMART SOLUTION: DESIGN IMPROVEMENTS THAT BRING ADDED VALUE SUCH AS IMPROVED LIFETIME OF CONSUMABLES, EXCELLENT CUT QUALITY, SPEED, OR BETTER COST EFFECTIVENESS OF YOUR SYSTEM.

NS NOT SHOWN IN THE PICTURE | CC CENTRAL CONNECTOR

**THERMACUT®, FHT-EX® AND EX-TRAFIRE® ARE REGISTERED TRADEMARKS OF THERMACUT, K. S. AND MAY BE REGISTERED IN CZECH REPUBLIC AND/OR OTHER COUNTRIES. ALL OTHER TRADEMARKS ARE PROPERTIES OF THEIR RESPECTIVE OWNERS. THERMACUT IS NO WAY AFFILIATED WITH HYPERTHERM®. MOST THERMACUT PARTS ARE MADE FOR OR BY AN IBG COMPANY. PARTS INDICATED WITH A OEM ARE ORIGINAL PARTS MANUFACTURED BY THE ABOVE NAMED MANUFACTURER AND ARE BEING RESOLD BY THERMACUT. THERMACUT RESERVES THE RIGHT TO SUBSTITUTE OEM PARTS IN PLACE OF THERMACUT PARTS. VALID FROM JULY 2017 • PREVIOUS VERSION IS NO LONGER VALID. • © COPYRIGHT 2017 BY THERMACUT® CZECH REPUBLIC. ALL RIGHTS RESERVED.**

# REPLACEMENT PARTS SUITABLE FOR HYPERTHERM®

POWERMAX® 900 | PAC®125T/M



Item	Part No.	Ref. No.	Description	Std. Pkg.	Item	Part No.	Ref. No.	Description	Std. Pkg.
*1.	T-9824*	120601-UR	Shield, Hand	1	#14.	T-4451#	120574-UR	Electrode, Extended, Long Life	5
*2.	T-9825*	120602-UR	Shield, Machine	1	#15.	T-4453#	120576-UR	Swirl Ring, Long Life	2
3.	T-3412	120608	Shield, Gouging	1	16.	T-2230	120576	Swirl Ring	2
4.	T-1564	120303	Deflector	1	17.	T-0038	044016	O-Ring	1
5.	T-12045	120600	Retaining Cap	1	18.	T-10269	120570	Torch Main Body with Safety Switch	1
*6.	T-10254*	120964-UR	Retaining Cap, Ohmic	1	NS	T-4185	129352	PAC®125T Cable Leads 7,6m (25') with CC	1
7.	T-3414	120577	Nozzle 55A, Shielded	5	NS	T-4554	083066	PAC®125T Hand Torch with Lead 7,6m (25') with CC	1
8.	T-3415	120607	Nozzle, Gouging	10	NS	T-4555	083067	PAC®125T Hand Torch with Lead 15,2m (50') with CC	1
9.	T-3417	120578	Nozzle, Extended 55A	10	NS	KT-1399	128922	RT60™ Cable Leads 7,6m (25') with CC	1
10.	T-3418	120606	Nozzle, Extended 35A	10	NS	T-4185	129352	Torch leads, 25'	1
NS	T-9999	220330	Nozzle (PAC®123, FineCut®)	5	NS	T-4186	129353	Torch leads, 50'	1
#11.	T-4450#	120573-UR	Electrode, Long Life	5	NS	KT-1398	083215-UR	RT60™ Hand Torch with Lead 7,6m (25') with CC	1
12.	T-3419	120573	Electrode	5	Different types of cable leads available on request.				
13.	T-2298	120574	Electrode, Extended	5					

\* FULLY INTERCHANGEABLE WITH ORIGINAL PARTS, BUT DIFFERS FROM ORIGINAL DESIGN

# MUST BE USED ONLY AS THE SET OF ELECTRODE & SWIRL RING, LIKE SHOWN IN THE PICTURE (UR DESIGN VERSION OR OEM DESIGN VERSION), SET OFFERS LIFETIME LONGER UP TO 50%

NS NOT SHOWN IN THE PICTURE

CC CENTRAL CONNECTOR

**THERMACUT®, FHT-EX® AND EX-TAFIRE® ARE REGISTERED TRADEMARKS OF THERMACUT, K. S. AND MAY BE REGISTERED IN CZECH REPUBLIC AND/OR OTHER COUNTRIES. ALL OTHER TRADEMARKS ARE PROPERTIES OF THEIR RESPECTIVE OWNERS. THERMACUT IS NO WAY AFFILIATED WITH HYPERTHERM®. MOST THERMACUT PARTS ARE MADE FOR OR BY AN IBG COMPANY. PARTS INDICATED WITH A OEM ARE ORIGINAL PARTS MANUFACTURED BY THE ABOVE NAMED MANUFACTURER AND ARE BEING RESOLD BY THERMACUT. THERMACUT RESERVES THE RIGHT TO SUBSTITUTE OEM PARTS IN PLACE OF THERMACUT PARTS. VALID FROM JULY 2017 • PREVIOUS VERSION IS NO LONGER VALID. • © COPYRIGHT 2017 BY THERMACUT® CZECH REPUBLIC. ALL RIGHTS RESERVED.**

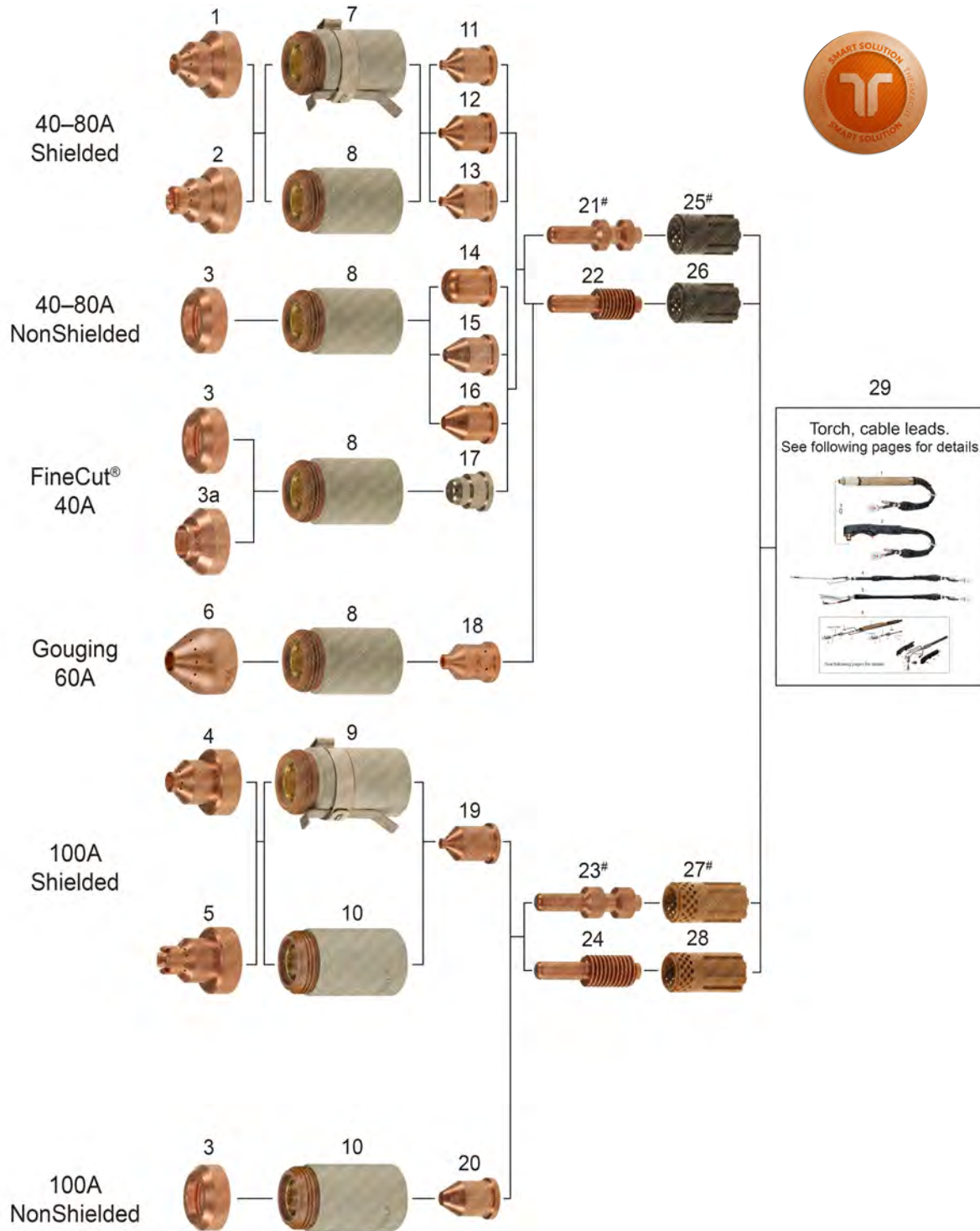
---

- This page intentionally left blank -



# REPLACEMENT PARTS SUITABLE FOR HYPERTHERM®

POWERMAX® 1000 / POWERMAX® 1250 / POWERMAX® 1650  
T60™/T60M™, T80™/T80M™, T100™/T100M™/T100M-2™



THERMACUT®, FHT-EX® AND EX-TRAFIRE® ARE REGISTERED TRADEMARKS OF THERMACUT, K. S. AND MAY BE REGISTERED IN CZECH REPUBLIC AND/OR OTHER COUNTRIES. ALL OTHER TRADEMARKS ARE PROPERTIES OF THEIR RESPECTIVE OWNERS. THERMACUT IS NO WAY AFFILIATED WITH HYPERTHERM®. MOST THERMACUT PARTS ARE MADE FOR OR BY AN IBG COMPANY. PARTS INDICATED WITH A OEM ARE ORIGINAL PARTS MANUFACTURED BY THE ABOVE NAMED MANUFACTURER AND ARE BEING RESOLD BY THERMACUT. THERMACUT RESERVES THE RIGHT TO SUBSTITUTE OEM PARTS IN PLACE OF THERMACUT PARTS. VALID FROM JULY 2017 • PREVIOUS VERSION IS NO LONGER VALID. • © COPYRIGHT 2017 BY THERMACUT® CZECH REPUBLIC. ALL RIGHTS RESERVED.

# REPLACEMENT PARTS SUITABLE FOR HYPERTHERM®

**POWERMAX® 1000 / POWERMAX® 1250 / POWERMAX® 1650**  
**T60™/T60M™, T80™/T80M™, T100™/T100M™/T100M-2™**

Item	Part No.	Ref. No.	Description	Std. Pkg	Item	Part No.	Ref. No.	Description	Std. Pkg.
*1.	T-9831*	120930-UR	Shield, Machine 40A/60A/80A	1	15.	T-4572	220007	Nozzle 60A Extended	5
*2.	T-9830*	120929-UR	Shield, Hand 40A/60A/80A	1	16.	T-3892	120980	Nozzle 80A Extended	5
3.	T-4188	120979	Deflector 40A/60A/80A/100A	1	17.	T-9998	220329	Nozzle 40A FineCut®	5
3a.	T-10410	220325 OEM	Deflector, CE 40A FineCut®	1	18.	T-11300	220059	Nozzle Gouging 60-80A	5
*4.	T-9832*	220047-UR	Shield, Machine 100A	1	19.	T-8892	220011	Nozzle 100A	5
*5.	T-9833*	220065-UR	Shield, Hand 100A	1	20.	T-4190	220064	Nozzle 100A Extended	5
6.	T-11299	120977	Shield Gouging 60-100A	1	#21.	T-4454#	120926-UR	Electrode 40A/60A/80A Long Life	5
7.	T-12067	220061	Retaining Cap, Ohmic 40A/60A/80A	1	22.	T-8401	120926	Electrode 40A/60A/80A	5
8.	T-12066	120928	Retaining Cap 40A/60A/80A	1	#23.	T-4455#	220037-UR	Electrode 100A, Long Life	5
9.	T-12071	220206	Retaining Cap, Ohmic 100A	1	24.	T-8872	220037	Electrode 100A	5
10.	T-8902	220048	Retaining Cap 100A	1	#25.	T-4456#	120925-UR	Swirl Ring 40A/60A/80A Long Life	2
11.	T-3891	120932	Nozzle 40A	5	26.	T-8400	120925	Swirl Ring 40A/60A/80A	2
12.	T-8405	120931	Nozzle 60A	5	#27.	T-4457#	220051-UR	Swirl Ring 100A, Long Life	1
13.	T-3890	120927	Nozzle 80A	5	28.	T-11288	220051	Swirl Ring 100A	2
14.	T-3889	220006	Nozzle 40A Extended	5	29.	Torch, cable leads. See following pages for details.			

\* FULLY INTERCHANGEABLE AND COMPATIBLE WITH ORIGINAL PARTS, BUT DIFFERS FROM ORIGINAL DESIGN

+ MUST BE USED AS A SET OF SHIELD & NOZZLES

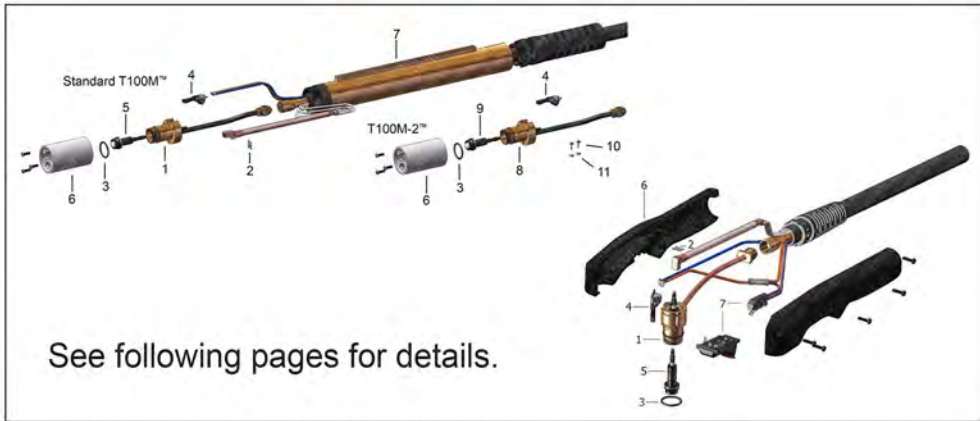
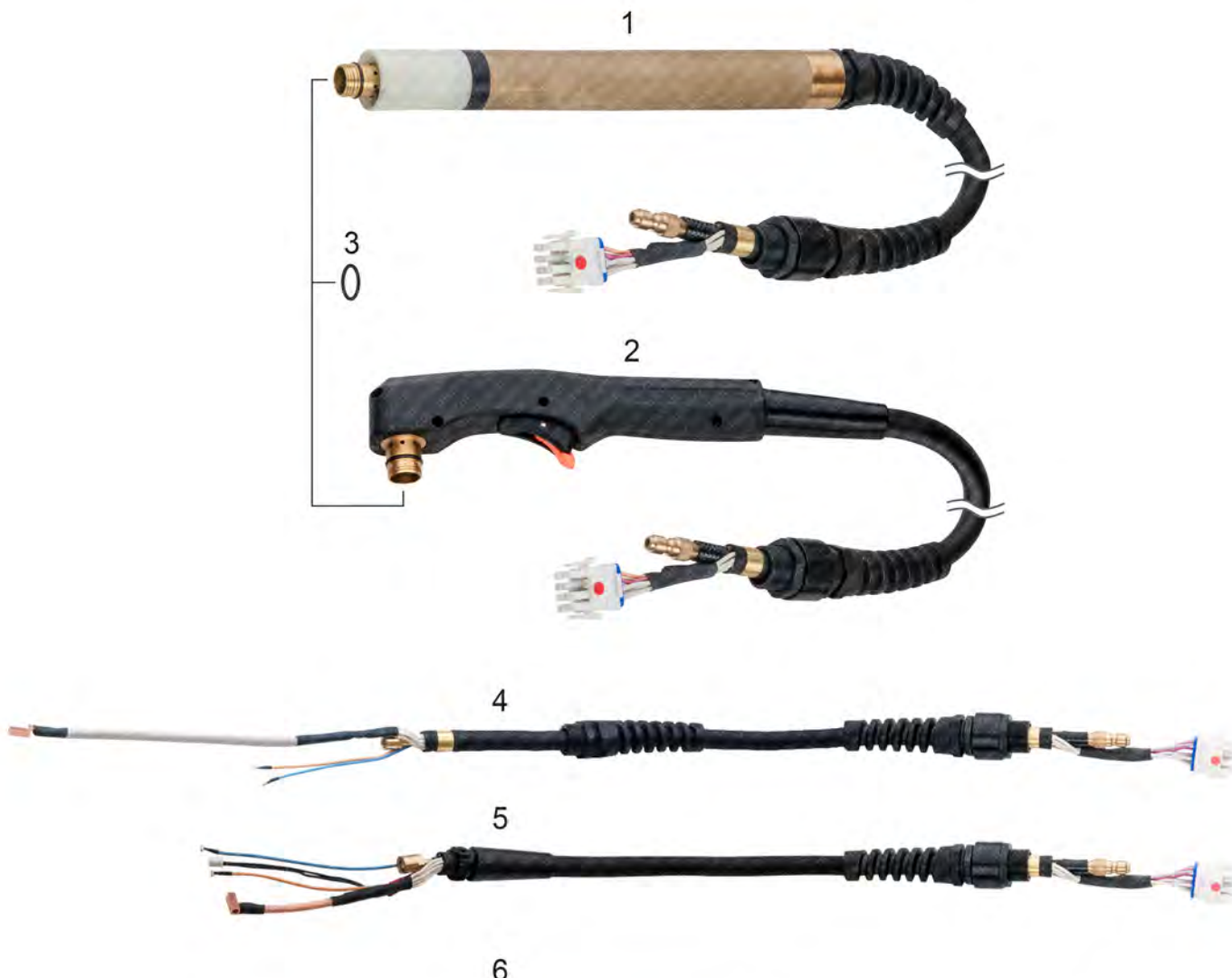
# MUST BE USED ONLY AS THE SET OF ELECTRODE & SWIRL RING, LIKE SHOWN IN THE PICTURE (UR DESIGN VERSION OR OEM DESIGN VERSION).

SMART SOLUTION - DESIGN IMPROVEMENTS THAT BRINGS ADDED VALUE SUCH AS IMPROVED LIFETIME OF CONSUMABLES, EXCELLENT CUT QUALITY, SPEED OR BETTER COST EFFECTIVENESS OF YOUR SYSTEM

THERMACUT®, FHT-EX® AND EX-TRAFIRE® ARE REGISTERED TRADEMARKS OF THERMACUT, K. S. AND MAY BE REGISTERED IN CZECH REPUBLIC AND/OR OTHER COUNTRIES. ALL OTHER TRADEMARKS ARE PROPERTIES OF THEIR RESPECTIVE OWNERS. THERMACUT IS NO WAY AFFILIATED WITH HYPERTHERM®. MOST THERMACUT PARTS ARE MADE FOR OR BY AN IBG COMPANY. PARTS INDICATED WITH A OEM ARE ORIGINAL PARTS MANUFACTURED BY THE ABOVE NAMED MANUFACTURER AND ARE BEING RESOLD BY THERMACUT. THERMACUT RESERVES THE RIGHT TO SUBSTITUTE OEM PARTS IN PLACE OF THERMACUT PARTS. VALID FROM JULY 2017 • PREVIOUS VERSION IS NO LONGER VALID. • © COPYRIGHT 2017 BY THERMACUT® CZECH REPUBLIC. ALL RIGHTS RESERVED.

# REPLACEMENT PARTS SUITABLE FOR HYPERTHERM®

POWERMAX® 1000 / POWERMAX® 1250 / POWERMAX® 1650  
T60™/T60M™ torch, T80™/T80M™ torch, T100™/T100M™ torch



THERMACUT®, FHT-EX® AND EX-TRAFIRE® ARE REGISTERED TRADEMARKS OF THERMACUT, K. S. AND MAY BE REGISTERED IN CZECH REPUBLIC AND/OR OTHER COUNTRIES. ALL OTHER TRADEMARKS ARE PROPERTIES OF THEIR RESPECTIVE OWNERS. THERMACUT IS NO WAY AFFILIATED WITH HYPERTHERM®. MOST THERMACUT PARTS ARE MADE FOR OR BY AN IBG COMPANY. PARTS INDICATED WITH A OEM ARE ORIGINAL PARTS MANUFACTURED BY THE ABOVE NAMED MANUFACTURER AND ARE BEING RESOLD BY THERMACUT. THERMACUT RESERVES THE RIGHT TO SUBSTITUTE OEM PARTS IN PLACE OF THERMACUT PARTS. VALID FROM JULY 2017 • PREVIOUS VERSION IS NO LONGER VALID. • © COPYRIGHT 2017 BY THERMACUT® CZECH REPUBLIC. ALL RIGHTS RESERVED.

# REPLACEMENT PARTS SUITABLE FOR HYPERTHERM®

**POWERMAX® 1000 / POWERMAX® 1250 / POWERMAX® 1650  
T60™/T60M™ torch, T80™/T80M™ torch, T100™/T100M™ torch**

Item	Part No.	Ref. No.	Description	Std. Pkg.	Item	Part No.	Ref. No.	Description	Std. Pkg.
*1.	T-10740*	083175-UR	T60M® Machine Torch with Leads 4.6m (15')	1	*2.	T-10715*	059270-UR	T100® Hand Torch with Leads 15.2m (50')	1
*1.	T-10741*	083174-UR	T60M® Machine Torch with Leads 7.6m (25')	1	*2.	KT-1345*	059499-UR	= 059270-UR	1
*1.	T-10742*	083176-UR	T60M® Machine Torch with Leads 10.7m (35')	1	3.	T-4510	058519	O-Ring	1
*1.	T-10743*	083177-UR	T60M® Machine Torch with Leads 15.2m (50')	1	*4.	T-10738*	128681-UR	T60® Cable Leads, Hand 7.6m (25')	1
*1.	T-10719*	087003-UR	T80M® Machine Torch with Leads 4.6m (15')	1	*4.	T-10739*	128682-UR	T60® Cable Leads, Hand 15.2m (50')	1
*1.	T-10720*	087004-UR	T80M® Machine Torch with Leads 7.6m (25')	1	*5.	T-10723*	128634-UR	T60M®/T80M® Cable Leads, Machine 4.6m (15')	1
*1.	T-10721*	087005-UR	T80M® Machine Torch with Leads 10.7m (35')	1	*5.	T-10724*	128633-UR	T60M®/T80M® Cable Leads, Machine 7.6m (25')	1
*1.	T-10722*	087006-UR	T80M® Machine Torch with Leads 15.2m (50')	1	*5.	T-10725*	128635-UR	T60M®/T80M® Cable Leads, Machine 10.7m (35')	1
*1.	T-10728*	059265-UR	T100M® Machine Torch with Leads 7.6m (25')	1	*5.	T-10726*	128641-UR	T60M®/T80M® Cable Leads, Machine 15.2m (50')	1
*1.	T-10729*	059268-UR	T100M® Machine Torch with Leads 10.7m (35')	1	*4.	T-10735*	128637-UR	T80® Cable Leads, Hand 7.6m (25')	1
*1.	T-10730*	059272-UR	T100M® Machine Torch with Leads 15.2m (50')	1	*4.	T-10734*	128636-UR	T80® Cable Leads, Hand 15.2m (50')	1
*1.	KT-1450*	059315-UR	T100M-2® Machine Torch with Leads 7.6m (25')	1	*4.	KT-1146*	128893-UR	T80® Cable Leads, Hand 22.9m (75')	1
*1.	KT-1395*	059325-UR	T100M-2® Machine Torch with Leads 15.2m (50')	1	*4.	T-10712*	128755-UR	T100® Cable Leads, Hand 7.6m (25')	1
*1.	KT-1259*	059300-UR	T100M® Machine Torch with Leads 22.9m (75')	1	*4.	T-10713*	128752-UR	T100® Cable Leads, Hand 15.2m (50')	1
*2.	T-10736*	083172-UR	T60® Hand Torch with Leads 7.6m (25')	1	*5.	T-10731*	128753-UR	T100M® Cable Leads, Machine 7.6m (25')	1
*2.	T-10737*	083171-UR	T60® Hand Torch with Leads 15.2m (50')	1	*5.	T-10732*	128751-UR	T100M® Cable Leads, Machine 10.7m (35')	1
*2.	KT-1143*	083208-UR	T60® Hand Torch with Leads 22.9m (75')	1	*5.	T-10733*	128759-UR	T100M® Cable Leads, Machine 15.2m (50')	1
*2.	T-10395*	087001-UR	T80® Hand Torch with Leads 7.6m (25')	1	*5.	KT-1258*	K.T100M,22,9M,K	T100M® Cable Leads, Machine 22.9m (75')	1
*2.	T-10396*	087002-UR	T80® Hand Torch with Leads 15.2m (50')	1	*5.	KT-1396*	228224-UR	T100M-2® Cable Leads, Machine 15.2m (50')	1
*2.	KT-1147*	087047-UR	T80® Hand Torch with Leads 22.9m (75')	1	*5.	KT-1467*	228222-UR	T100M-2® Cable Leads, Machine 7,6m (25')	1
*2.	T-10714*	059264-UR	T100® Hand Torch with Leads 7.6m (25')	1	6.	Torch, cable leads. See following pages for details.			

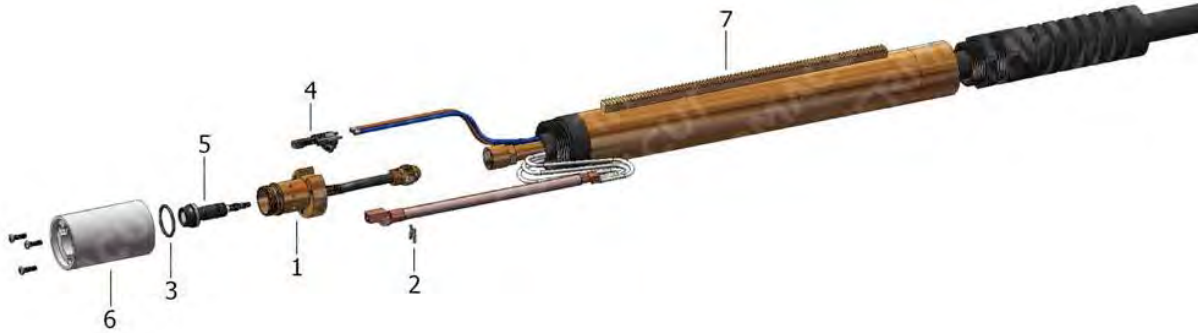
\* FULLY INTERCHANGEABLE WITH ORIGINAL PARTS, BUT DIFFERS FROM ORIGINAL DESIGN

**THERMACUT®, FHT-EX® AND EX-TRAFIRE® ARE REGISTERED TRADEMARKS OF THERMACUT, K. S. AND MAY BE REGISTERED IN CZECH REPUBLIC AND/OR OTHER COUNTRIES. ALL OTHER TRADEMARKS ARE PROPERTIES OF THEIR RESPECTIVE OWNERS. THERMACUT IS NO WAY AFFILIATED WITH HYPERTHERM®. MOST THERMACUT PARTS ARE MADE FOR OR BY AN IBG COMPANY. PARTS INDICATED WITH A OEM ARE ORIGINAL PARTS MANUFACTURED BY THE ABOVE NAMED MANUFACTURER AND ARE BEING RESOLD BY THERMACUT. THERMACUT RESERVES THE RIGHT TO SUBSTITUTE OEM PARTS IN PLACE OF THERMACUT PARTS. VALID FROM JULY 2017 • PREVIOUS VERSION IS NO LONGER VALID. • © COPYRIGHT 2017 BY THERMACUT® CZECH REPUBLIC. ALL RIGHTS RESERVED.**



# REPLACEMENT PARTS SUITABLE FOR HYPERTHERM®

## POWERMAX® 1000 / POWERMAX® 1250 T60M™/T80M™ machine torch



Item	Part No.	Ref. No.	Description	Std. Pkg.	Item	Part No.	Ref. No.	Description	Std. Pkg.
*1.	T-10319*	128640-UR	T60M™/T80M™ Torch Body Kit (Incl. items: 1, 2, 3, 5)	1	*5.	T-10253*	128521-UR	T60™, T80™/T60M™, T80M™ Torch Head Repair Kit	1
2.	T-10237	027889 OEM	Retaining Clip	1	*6.	PT-12161*	128643-UR	Torch Mounting Sleeve Replacement Kit With Screws	1
3.	T-4510	058519	O-Ring	1	7.	T-12159	128710	Torch Positioning Sleeve	1
*4.	T-10615*	128639-UR	TMT Cap-off Sensor Replacement Kit With Screws	1	1.-5.	T-10845	T-10845	T80M™ Torch Body + Cap Sensor	1

## POWERMAX® 1000 / POWERMAX® 1250 T60™/T80™ hand torch



Item	Part No.	Ref. No.	Description	Std. Pkg.	Item	Part No.	Ref. No.	Description	Std. Pkg.
*1.	T-10281*	128564-UR	T60™/T80™ Torch Body Kit (Incl. items: 1, 2, 3, 5)	1	#6.	T-10623#	128644-UR	TMT Handle Kit With Screws	1
2.	T-10237	027889 OEM	Retaining Clip	1	#7.	T-10849#	T-10849	Trigger + Switch	1
3.	T-4510	058519	O-Ring	1	4.-7.	T-10838	T-10838	T60™/T80™/T100™ Handle Repl. Assy	1
#4.	T-10615#	128639-UR	TMT Cap-off Sensor Replacement Kit With Screws	1	1.-7.	T-10839	T-10839	T60™/T80™ Torch + Handle Repl. Assy	1
*5.	T-10253*	128521-UR	T60™, T80™/T60M™, T80M™ Torch Head Repair Kit	1	1.-5.	T-10846	T-10846	T80™ Torch Body + Cap Sensor	1

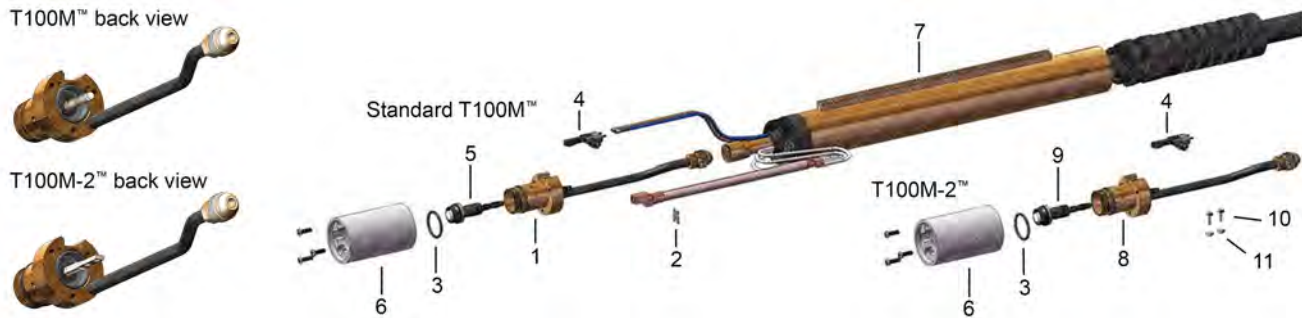
\* FULLY INTERCHANGEABLE AND COMPATIBLE WITH ORIGINAL PARTS, BUT DIFFERS FROM ORIGINAL DESIGN  
# MUST BE USED ONLY AS A SET OF ITEMS 4, 6, 7, THIS COMPLETE SET IS INTERCHANGEABLE AND COMPATIBLE WITH ORIGINAL PARTS

THERMACUT®, FHT-EX® AND EX-TRAFIRE® ARE REGISTERED TRADEMARKS OF THERMACUT, K. S. AND MAY BE REGISTERED IN CZECH REPUBLIC AND/OR OTHER COUNTRIES. ALL OTHER TRADEMARKS ARE PROPERTIES OF THEIR RESPECTIVE OWNERS. THERMACUT IS NO WAY AFFILIATED WITH HYPERTHERM®.  
MOST THERMACUT PARTS ARE MADE FOR OR BY AN IBG COMPANY. PARTS INDICATED WITH A OEM ARE ORIGINAL PARTS MANUFACTURED BY THE ABOVE NAMED MANUFACTURER AND ARE BEING RESOLD BY THERMACUT. THERMACUT RESERVES THE RIGHT TO SUBSTITUTE OEM PARTS IN PLACE OF THERMACUT PARTS.  
VALID FROM JULY 2017 • PREVIOUS VERSION IS NO LONGER VALID. • © COPYRIGHT 2017 BY THERMACUT® CZECH REPUBLIC. ALL RIGHTS RESERVED.

# REPLACEMENT PARTS SUITABLE FOR HYPERTHERM®

## POWERMAX® 1650

### T100M™, T100M-2™ machine torch



Item	Part No.	Ref. No.	Description	Std. Pkg.	Item	Part No.	Ref. No.	Description	Std. Pkg.
*1.	T-10446*	128754-UR	T100M™ Torch Body Kit (Incl. items:2,3,5)	1	7.	T-12159	128710	Torch Positioning Sleeve	1
2.	T-10237	027889 OEM	Retaining Clip	1	1.-5.	T-10847	T-10847	T100M™ Torch Body + Cap Sensor	1
3.	T-4510	058519	O-Ring	1	*8	T-11291	228523-UR	T100M-2™ Torch Body Kit (incl. items 3, 9, 10, 11)	1
*4.	T-10615*	128639-UR	TMT Cap-off Sensor Replacement Kit With Screws	1	*9	T-11292	228522-UR	T100M-2™ Torch Head Repair Kit	1
*5.	T-10473*	128768-UR	T100™/T100M™ Torch Head Repair Kit	1	10.	T-11344	075473	Machine Screws	2
*6.	PT-12161*	128643-UR	Torch Mounting Sleeve Replacement Kit With Screws	1	11.	T-11345	075503	Lock Nuts	2

## POWERMAX® 1650

### T100™ hand torch



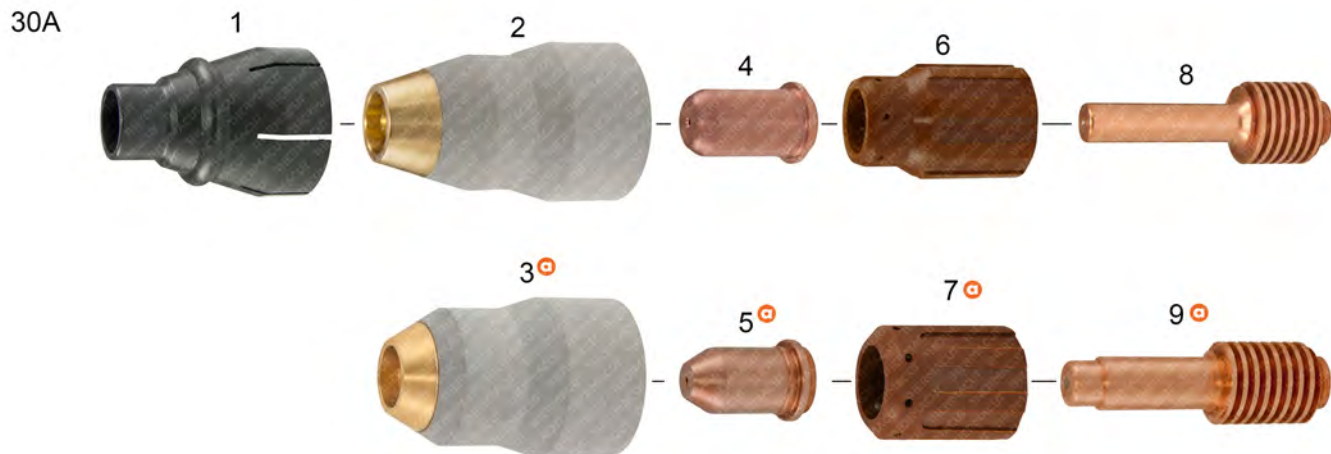
Item	Part No.	Ref. No.	Description	Std. Pkg.	Item	Part No.	Ref. No.	Description	Std. Pkg.
*1.	T-10444*	128767-UR	T100™ Torch Body Kit (Incl. items:2,3,5)	1	#6.	T-10623#	128644-UR	TMT Handle Kit With Screws	1
2.	T-10237	027889 OEM	Retaining Clip	1	#7.	T-10849#	T-10849	Trigger + Switch	1
3.	T-4510	058519	O-Ring	1	4.-7.	T-10838	T-10838	T60™/T80™/T100™ Handle Repl. Assy	1
#4.	T-10615#	128639-UR	TMT Cap-off Sensor Replacement Kit With Screws	1	1.-7.	T-10840	T-10840	T100™ Torch Handle Repl. Assy	1
*5.	T-10473*	128768-UR	T100™/T100M™ Torch Head Repair Kit	1	1.-5.	T-10848	T-10848	T100™ Torch Body + Cap Sensor	1

\* FULLY INTERCHANGEABLE AND COMPATIBLE WITH ORIGINAL PARTS, BUT DIFFERS FROM ORIGINAL DESIGN  
 # MUST BE USED ONLY AS A SET OF ITEMS 4, 6, 7, THIS COMPLETE SET IS INTERCHANGEABLE AND COMPATIBLE WITH ORIGINAL PARTS

THERMACUT®, FHT-EX® AND EX-TRAFIRE® ARE REGISTERED TRADEMARKS OF THERMACUT, K. S. AND MAY BE REGISTERED IN CZECH REPUBLIC AND/OR OTHER COUNTRIES. ALL OTHER TRADEMARKS ARE PROPERTIES OF THEIR RESPECTIVE OWNERS. THERMACUT IS NO WAY AFFILIATED WITH HYPERTHERM®. MOST THERMACUT PARTS ARE MADE FOR OR BY AN IBG COMPANY. PARTS INDICATED WITH A OEM ARE ORIGINAL PARTS MANUFACTURED BY THE ABOVE NAMED MANUFACTURER AND ARE BEING RESOLD BY THERMACUT. THERMACUT RESERVES THE RIGHT TO SUBSTITUTE OEM PARTS IN PLACE OF THERMACUT PARTS. VALID FROM JULY 2017 • PREVIOUS VERSION IS NO LONGER VALID. • © COPYRIGHT 2017 BY THERMACUT® CZECH REPUBLIC. ALL RIGHTS RESERVED.

# REPLACEMENT PARTS SUITABLE FOR HYPERTHERM®

POWERMAX® 30 | T30v™ hand torch



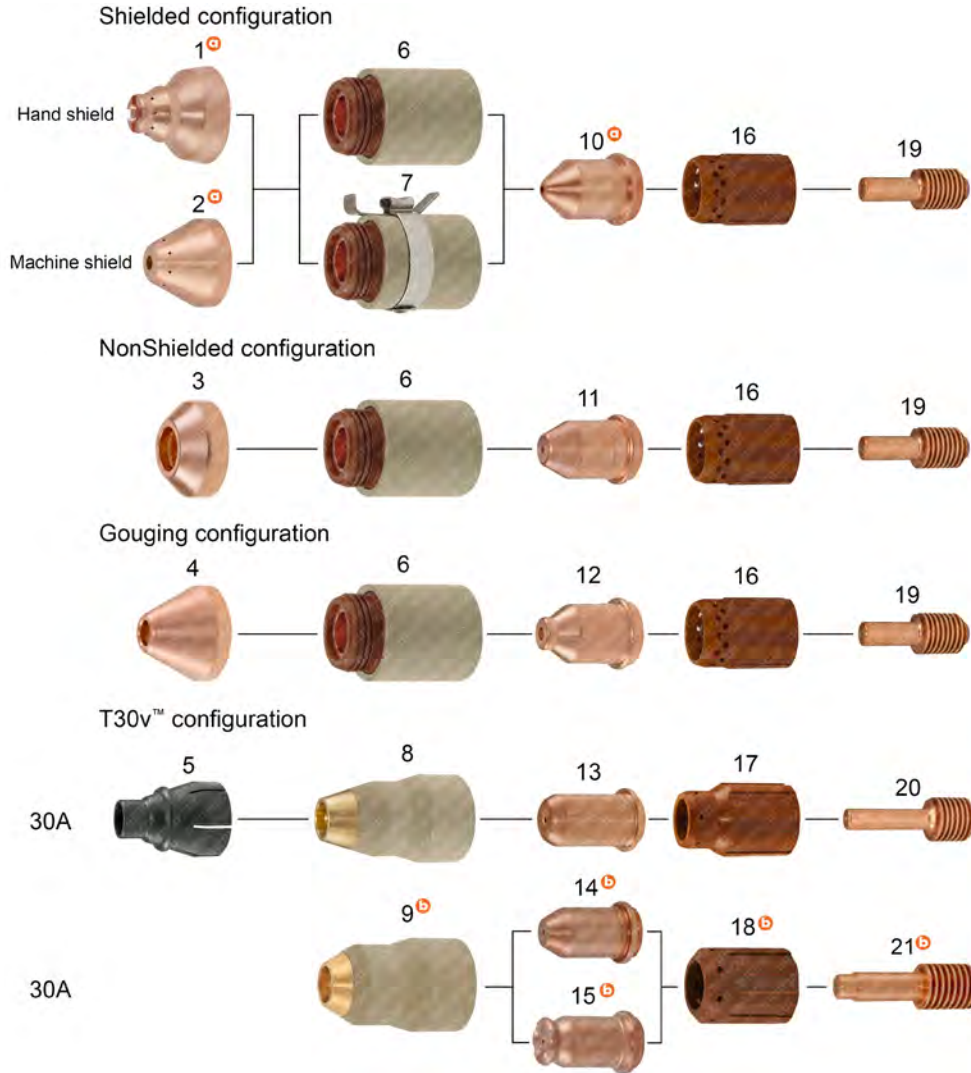
Item	Part No.	Ref. No.	Description	Std. Pkg.	Item	Part No.	Ref. No.	Description	Std. Pkg.
1.	T-10777	220569 OEM	Deflector	1	6.	T-11235	220479	Swirl Ring	1
2.	T-11279	220483	Retaining Cap	1	⊕ 7.	T-11848 ⊕	220479-UR	Swirl Ring	2
⊕ 3.	T-11852 ⊕	220483-UR	Retaining Cap	1	8.	T-10758	220478 OEM	Electrode	5
4.	T-11234	220480	Nozzle	5	⊕ 9.	T-11850 ⊕	220478-UR	Electrode	5
⊕ 5.	T-11849 ⊕	220480-UR	Nozzle	5					

⊕ MUST BE USED ONLY AS A SET OF RETAINING CAP, NOZZLE, SWIRL RING, ELECTRODE, THIS COMPLETE SET IS COMPATIBLE WITH ORIGINAL TORCH BODY.

THERMACUT®, FHT-EX® AND EX-TRAFIRE® ARE REGISTERED TRADEMARKS OF THERMACUT, K. S. AND MAY BE REGISTERED IN CZECH REPUBLIC AND/OR OTHER COUNTRIES. ALL OTHER TRADEMARKS ARE PROPERTIES OF THEIR RESPECTIVE OWNERS. THERMACUT IS NO WAY AFFILIATED WITH HYPERTHERM®. MOST THERMACUT PARTS ARE MADE FOR OR BY AN IBG COMPANY. PARTS INDICATED WITH A OEM ARE ORIGINAL PARTS MANUFACTURED BY THE ABOVE NAMED MANUFACTURER AND ARE BEING RESOLD BY THERMACUT. THERMACUT RESERVES THE RIGHT TO SUBSTITUTE OEM PARTS IN PLACE OF THERMACUT PARTS. VALID FROM JULY 2017 • PREVIOUS VERSION IS NO LONGER VALID. • © COPYRIGHT 2017 BY THERMACUT® CZECH REPUBLIC. ALL RIGHTS RESERVED.

# REPLACEMENT PARTS SUITABLE FOR HYPERTHERM®

POWERMAX® 45 | T30v™/T45v™ hand torch, T45m™ machine torch



Item	Part No.	Ref. No.	Description	Std. Pkg.	Item	Part No.	Ref. No.	Description	Std. Pkg.				
ⓐ	1.	T-11393	ⓐ	220674-UR	Shield - hand cutting	1	12.	T-11394	220672	Nozzle-Gouging	5		
ⓐ	2.	T-11398	ⓐ	220673-UR	Shield - machine cutting	1	13.	T-11234	220480	Nozzle 30A	5		
	3.	T-11213		220717	Deflector	1	ⓑ	14.	T-11849	ⓑ	220480-UR	Nozzle	5
	4.	T-11392		220675	Shield-Gouging	1	ⓑ	15.	T-11943	ⓑ	220480-D	Nozzle Drag	5
	5.	T-10777		220569 OEM	Deflector (optional)	1	16.	T-11212	220670	Swirl Ring 45A	1		
	6.	T-12074		220713	Retaining Cap 45A (without IHS tab)	1	17.	T-11235	220479	Swirl Ring 30A	1		
	7.	T-12075		220719	Retaining Cap 45A (with IHS tab)	1	ⓑ	18.	T-11848	ⓑ	220479-UR	Swirl Ring	2
	8.	T-11279		220483	Retaining Cap 30A	1	19.	T-11236	220669	Electrode 45A	5		
ⓑ	9.	T-11852	ⓑ	220483-UR	Retaining Cap	1	20.	T-10758	220478 OEM	Electrode 30A	5		
ⓐ	10.	T-11395	ⓐ	220671-UR	Nozzle-Shielded	5	ⓑ	21.	T-11850	ⓑ	220478-UR	Electrode	5
	11.	T-11214		220718	Nozzle-NonShielded	5							

- ⓐ MUST BE USED ONLY AS A SET OF SHIELD AND NOZZLE, THIS COMPLETE SET IS INTERCHANGEABLE AND COMPATIBLE WITH ORIGINAL PARTS
- ⓑ MUST BE USED ONLY AS A SET OF RETAINING CAP, NOZZLE, SWIRL RING, ELECTRODE, THIS COMPLETE SET IS COMPATIBLE WITH ORIGINAL TORCH BODY

THERMACUT®, FHT-EX® AND EX-TRAFIRE® ARE REGISTERED TRADEMARKS OF THERMACUT, K. S. AND MAY BE REGISTERED IN CZECH REPUBLIC AND/OR OTHER COUNTRIES. ALL OTHER TRADEMARKS ARE PROPERTIES OF THEIR RESPECTIVE OWNERS. THERMACUT IS NO WAY AFFILIATED WITH HYPERTHERM®. MOST THERMACUT PARTS ARE MADE FOR OR BY AN IBG COMPANY. PARTS INDICATED WITH A OEM ARE ORIGINAL PARTS MANUFACTURED BY THE ABOVE NAMED MANUFACTURER AND ARE BEING RESOLD BY THERMACUT. THERMACUT RESERVES THE RIGHT TO SUBSTITUTE OEM PARTS IN PLACE OF THERMACUT PARTS. VALID FROM JULY 2017 • PREVIOUS VERSION IS NO LONGER VALID. © COPYRIGHT 2017 BY THERMACUT® CZECH REPUBLIC. ALL RIGHTS RESERVED.

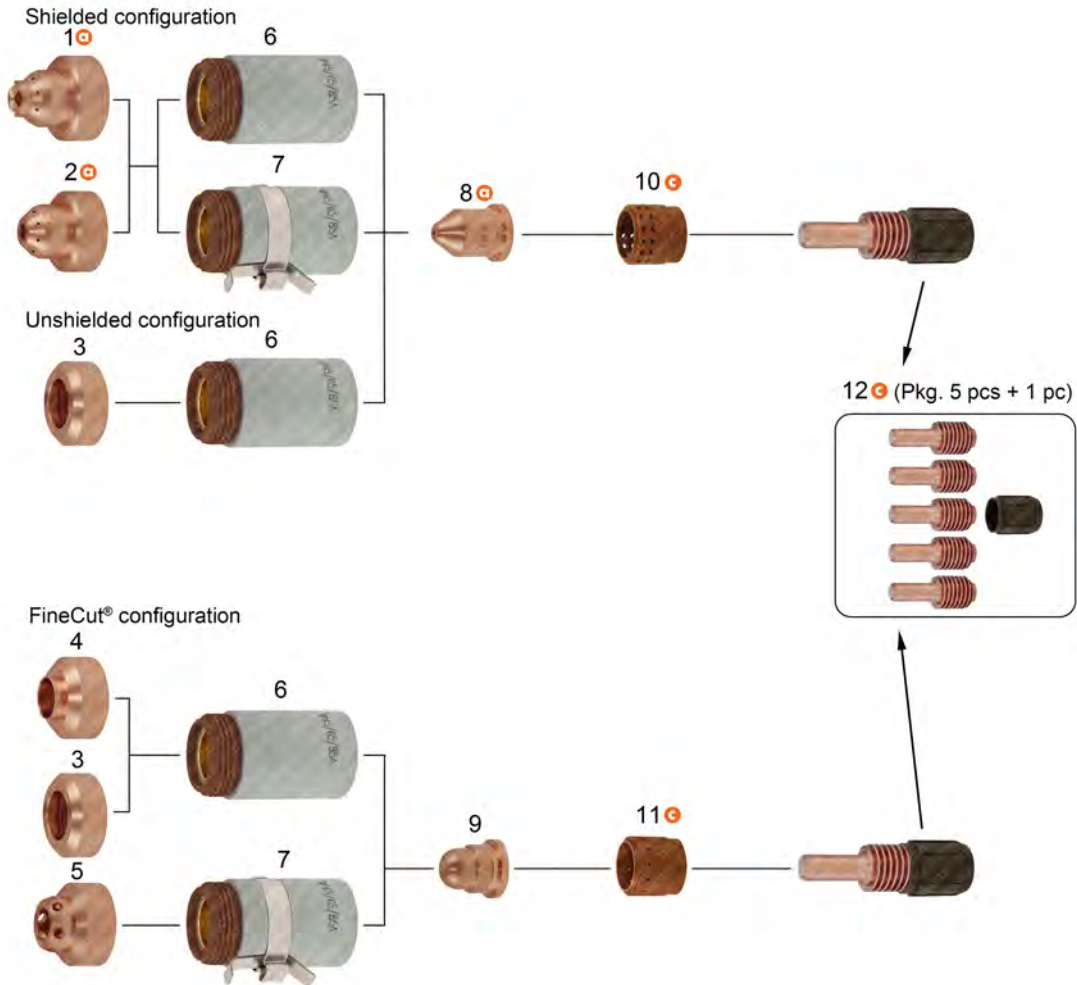


# REPLACEMENT PARTS SUITABLE FOR HYPERTHERM®

POWERMAX® 45XP

DURAMAX® hand torch, DURAMAX® machine torch

## 45/65/85A application



THERMACUT®, FHT-EX® AND EX-TRAFIRE® ARE REGISTERED TRADEMARKS OF THERMACUT, K. S. AND MAY BE REGISTERED IN CZECH REPUBLIC AND/OR OTHER COUNTRIES. ALL OTHER TRADEMARKS ARE PROPERTIES OF THEIR RESPECTIVE OWNERS. THERMACUT IS NO WAY AFFILIATED WITH HYPERTHERM®. MOST THERMACUT PARTS ARE MADE FOR OR BY AN IBG COMPANY. PARTS INDICATED WITH A OEM ARE ORIGINAL PARTS MANUFACTURED BY THE ABOVE NAMED MANUFACTURER AND ARE BEING RESOLD BY THERMACUT. THERMACUT RESERVES THE RIGHT TO SUBSTITUTE OEM PARTS IN PLACE OF THERMACUT PARTS. VALID FROM JULY 2017 • PREVIOUS VERSION IS NO LONGER VALID. • © COPYRIGHT 2017 BY THERMACUT® CZECH REPUBLIC. ALL RIGHTS RESERVED.

# REPLACEMENT PARTS SUITABLE FOR HYPERTHERM®



PRODUCT BROCHURE WITH DETAILS AT  
[WWW.THERMACUT.COM](http://WWW.THERMACUT.COM)

## POWERMAX® 45XP

## DURAMAX® hand torch, DURAMAX® machine torch

Item	Part No.	Ref. No.	Description	Std. Pkg.	Item	Part No.	Ref. No.	Description	Std. Pkg.
⊕ 1.	T-11406	⊕ 220818-UR	Shield 45/65/85A, Hand	1	⊕ 8.	T-11378	⊕ 220941-UR	Nozzle 45A	5
⊕ 2.	T-11404	⊕ 220817-UR	Shield 45/65/85A, Machine	1	9.	T-11845	220930	Nozzle 45A, FineCut®	5
3.	T-11407	220955	Deflector 45/65/85/105A	1	⊕ 10.	T-11861	⊕ 220857-UR	Swirl Ring 45-85A	1
4.	T-12013	220931	Deflector 45A, FineCut®	1	⊕ 11.	T-12015	⊕ 220947-UR	Swirl Ring 45A, FineCut®	1
5.	T-12014	220948	Shield 45A, FineCut®, Ohmic	1	⊕ 12.	T-11883	⊕ 220842x5	Electrode 45-105A (Pkg. 5 Pcs.)	1 x 5
⊕ 6.	T-11423	⊕ 220854-UR	Retaining Cap 45/65/85A	1			220842	Part is available in 5pcs set 220842x5 only	
⊕ 7.	T-11931	⊕ 220953-UR	Retaining Cap 45/65/85A, Ohmic	1					

⊕ MUST BE USED ONLY AS A SET OF SHIELD AND NOZZLE, THIS COMPLETE SET IS INTERCHANGEABLE AND COMPATIBLE WITH ORIGINAL PARTS.

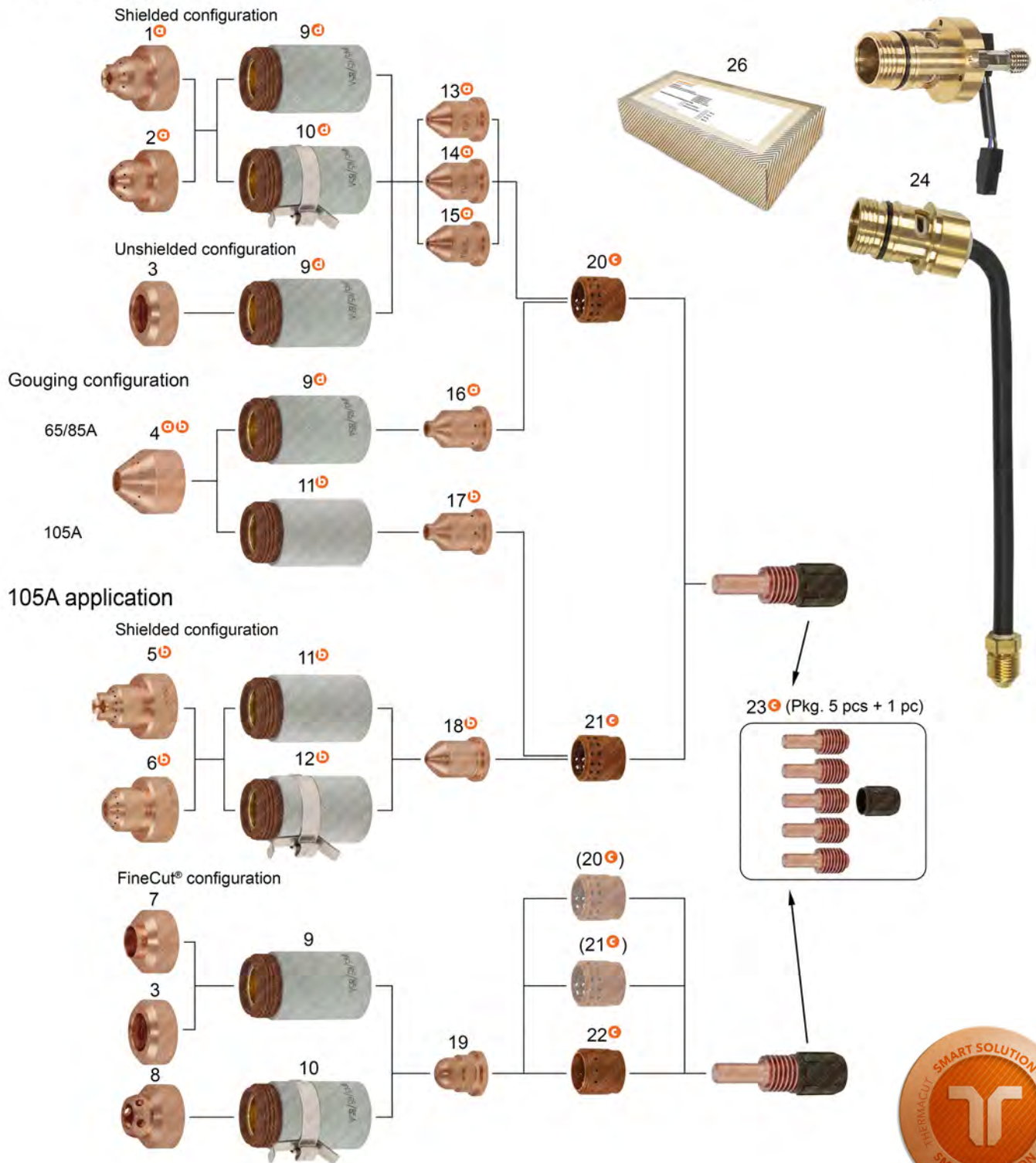
⊕ MUST BE USED ONLY AS A SET OF ELECTRODE AND SWIRL RING, THIS COMPLETE SET IS INTERCHANGEABLE AND COMPATIBLE WITH ORIGINAL PARTS. ELECTRODES ARE PACKED TOGETHER WITH SWIRL RING SPRING HOLDER (BLACK PART) IN RATIO 5 ELECTRODES TO 1 HOLDER.

THERMACUT®, FHT-EX® AND EX-TRAFIRE® ARE REGISTERED TRADEMARKS OF THERMACUT, K. S. AND MAY BE REGISTERED IN CZECH REPUBLIC AND/OR OTHER COUNTRIES. ALL OTHER TRADEMARKS ARE PROPERTIES OF THEIR RESPECTIVE OWNERS. THERMACUT IS NO WAY AFFILIATED WITH HYPERTHERM®. MOST THERMACUT PARTS ARE MADE FOR OR BY AN IBG COMPANY. PARTS INDICATED WITH A OEM ARE ORIGINAL PARTS MANUFACTURED BY THE ABOVE NAMED MANUFACTURER AND ARE BEING RESOLD BY THERMACUT. THERMACUT RESERVES THE RIGHT TO SUBSTITUTE OEM PARTS IN PLACE OF THERMACUT PARTS.  
VALID FROM JULY 2017 • PREVIOUS VERSION IS NO LONGER VALID. • © COPYRIGHT 2017 BY THERMACUT® CZECH REPUBLIC. ALL RIGHTS RESERVED.

# REPLACEMENT PARTS SUITABLE FOR HYPERTHERM®

POWERMAX® 65 / POWERMAX® 85 / POWERMAX® 105  
DURAMAX® hand torch, DURAMAX® machine torch

## 45/65/85A application



THERMACUT®, FHT-EX® AND EX-TRAFIRE® ARE REGISTERED TRADEMARKS OF THERMACUT, K. S. AND MAY BE REGISTERED IN CZECH REPUBLIC AND/OR OTHER COUNTRIES. ALL OTHER TRADEMARKS ARE PROPERTIES OF THEIR RESPECTIVE OWNERS. THERMACUT IS NO WAY AFFILIATED WITH HYPERTHERM®. MOST THERMACUT PARTS ARE MADE FOR OR BY AN IBG COMPANY. PARTS INDICATED WITH A OEM ARE ORIGINAL PARTS MANUFACTURED BY THE ABOVE NAMED MANUFACTURER AND ARE BEING RESOLD BY THERMACUT. THERMACUT RESERVES THE RIGHT TO SUBSTITUTE OEM PARTS IN PLACE OF THERMACUT PARTS. VALID FROM JULY 2017 • PREVIOUS VERSION IS NO LONGER VALID. • © COPYRIGHT 2017 BY THERMACUT® CZECH REPUBLIC. ALL RIGHTS RESERVED.

# REPLACEMENT PARTS SUITABLE FOR HYPERTHERM®



PRODUCT BROCHURE WITH DETAILS AT  
WWW.THERMACUT.COM

**POWERMAX® 65 / POWERMAX® 85 / POWERMAX® 105**  
**DURAMAX® hand torch, DURAMAX® machine torch**

Item	Part No.	Ref. No.	Description	Std. Pkg.	Item	Part No.	Ref. No.	Description	Std. Pkg.	
ⓐ 1.	T-11406	220818-UR	Shield 45/65/85A, Hand	1	19.	T-11845	220930	Nozzle 45A, FineCut®	5	
ⓐ 2.	T-11404	220817-UR	Shield 45/65/85A, Machine	1	ⓐ 20.	T-11861	220857-UR	Swirl Ring 45-85A	1	
	3.	T-11407	220955	Deflector 45/65/85/105A	1	ⓐ 21.	T-11930	220994-UR	Swirl Ring 105A	1
ⓐ 4.	T-12022	220798-UR	Shield 65/85/105A, Gouging	1	ⓐ 22.	T-12015	220947-UR	Swirl Ring 45A, FineCut®	1	
ⓑ 5.	T-11841	220992-UR	Shield 105A, Hand	1	ⓐ 23.	T-11883	220842x5	Electrode 45-105A (Pkg. 5 Pcs.)	1 x 5	
ⓑ 6.	T-11842	220993-UR	Shield 105A, Machine	1			220842	Part is available in 5pcs set 220842x5 only		
	7.	T-12013	220931	Deflector 45A, FineCut®	1	24.	T-12233	228958	DURAMAX® Torch Body	1
	8.	T-12014	220948	Shield 45A, FineCut®, Ohmic	1	25.	T-12256	228716	Torch Body DMX65M/85M/105M	1
ⓐ 9.	T-11423	220854-UR	Retaining Cap 45/65/85A	1	**26.	T-11933**	T-11933	Starter Kit 45A, Hand	1	
ⓐ 10.	T-11931	220953-UR	Retaining Cap 45/65/85A, Ohmic	1	**	T-11934**	T-11934	Starter Kit 45A, Machine	1	
ⓑ 11.	T-11422	ⓐ T-11422	Retaining Cap 105A	1	**	T-11935**	T-11935	Starter Kit 65A, Hand	1	
ⓑ 12.	T-11932	ⓐ T-11932	Retaining Cap 105A, Ohmic	1	**	T-11936**	T-11936	Starter Kit 65A, Machine	1	
ⓐ 13.	T-11378	220941-UR	Nozzle 45A	5	**	T-11937**	T-11937	Starter Kit 85A, Hand	1	
ⓐ 14.	T-11377	220819-UR	Nozzle 65A	5	**	T-11938**	T-11938	Starter Kit 85A, Machine	1	
ⓐ 15.	T-11405	220816-UR	Nozzle 85A	5	**	T-11939**	T-11939	Starter Kit 105A, Hand	1	
ⓐ 16.	T-12021	220797-UR	Nozzle 65/85A, Gouging	5	**	T-11940**	T-11940	Starter Kit 105A, Machine	1	
ⓑ 17.	T-12023	220991-UR	Nozzle 105A, Gouging	5	**	T-11941**	T-11941	Empty box for Starter Kit, universal	1	
ⓑ 18.	T-11840	220990-UR	Nozzle 105A	5						

ⓐ MUST BE USED ONLY AS A SET OF SHIELD AND NOZZLE, THIS COMPLETE SET IS INTERCHANGEABLE AND COMPATIBLE WITH ORIGINAL PARTS.

ⓑ MUST BE USED ONLY AS A SET OF SHIELD, RETAINING CAP AND NOZZLE, THIS COMPLETE SET IS INTERCHANGEABLE AND COMPATIBLE WITH ORIGINAL PARTS.

ⓒ MUST BE USED ONLY AS A SET OF ELECTRODE AND SWIRL RING, THIS COMPLETE SET IS INTERCHANGEABLE AND COMPATIBLE WITH ORIGINAL PARTS. ELECTRODES ARE PACKED TOGETHER WITH SWIRL RING SPRING HOLDER (BLACK PART) IN RATIO 5 ELECTRODES TO 1 HOLDER.

ⓓ RETAINING CAP UP TO 85A. FOR 105A - RETAINING CAP T-11422 HAS TO BE USED. DIFFERENT RETAINING CAP HAS TO BE USED FOR 105A AND FOR 45/65/85A.

\*\* CONTENT: ELECTRODE 5 PCS (PACKED TOGETHER WITH SWIRL RING SPRING HOLDER), NOZZLE 5 PCS, SW. RING 1 PC, RET. CAP 1 PC, SHIELD 2 PCS

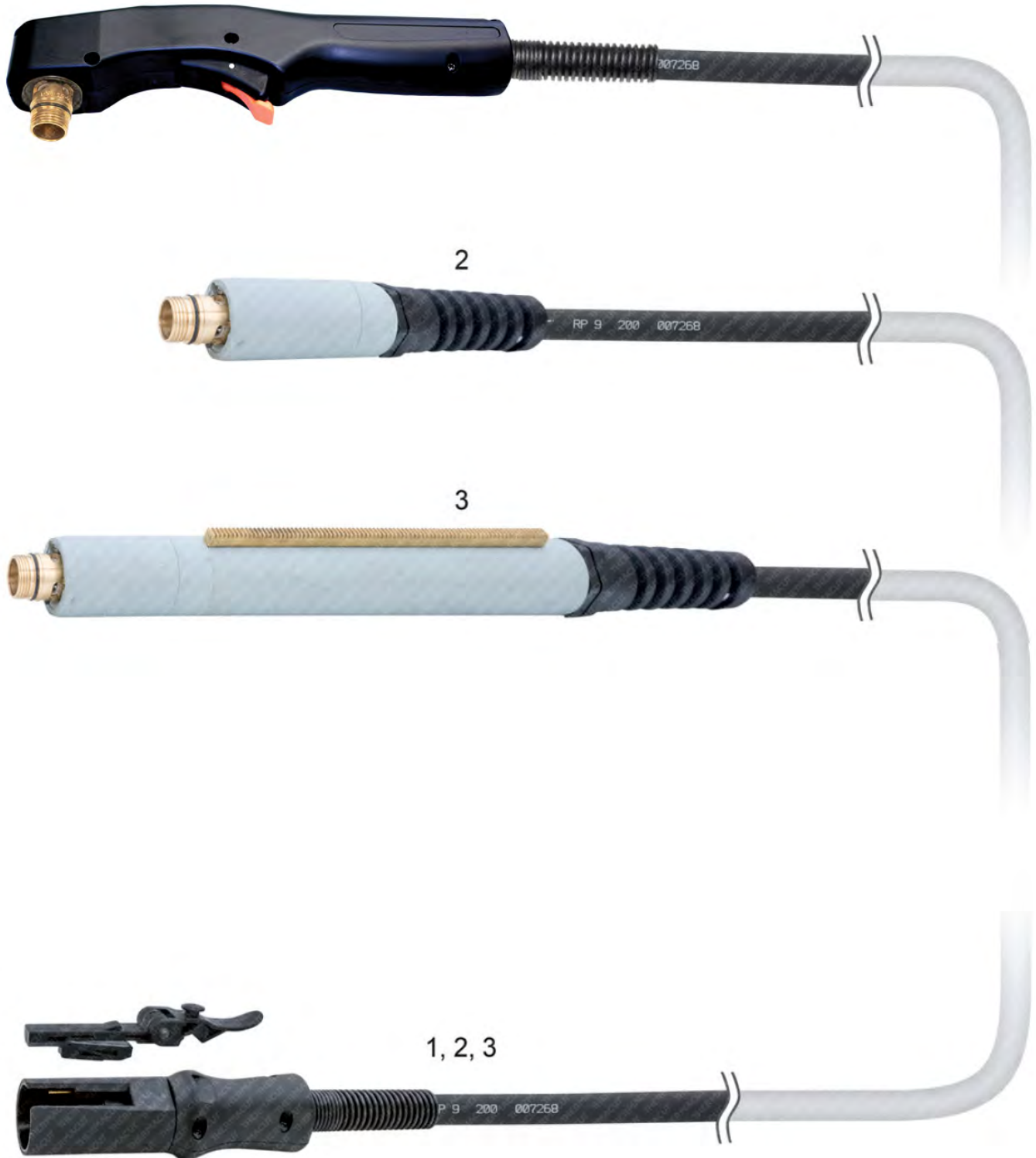
(20ⓐ), (21ⓐ) - ALSO POSSIBLE TO USE WITH FineCut® CONFIGURATION, BUT FOR BEST CUT QUALITY RESULTS - USE 220947-UR SMART SOLUTION - DESIGN IMPROVEMENTS THAT BRINGS ADDED VALUE SUCH AS IMPROVED LIFETIME OF CONSUMABLES, EXCELLENT CUT QUALITY, SPEED OR BETTER COST EFFECTIVENESS OF YOUR SYSTEM

THERMACUT®, FHT-EX® AND EX-TRAFIRE® ARE REGISTERED TRADEMARKS OF THERMACUT, K. S. AND MAY BE REGISTERED IN CZECH REPUBLIC AND/OR OTHER COUNTRIES. ALL OTHER TRADEMARKS ARE PROPERTIES OF THEIR RESPECTIVE OWNERS. THERMACUT IS NO WAY AFFILIATED WITH HYPERTHERM®. MOST THERMACUT PARTS ARE MADE FOR OR BY AN IBG COMPANY. PARTS INDICATED WITH A OEM ARE ORIGINAL PARTS MANUFACTURED BY THE ABOVE NAMED MANUFACTURER AND ARE BEING RESOLD BY THERMACUT. THERMACUT RESERVES THE RIGHT TO SUBSTITUTE OEM PARTS IN PLACE OF THERMACUT PARTS. VALID FROM JULY 2017 • PREVIOUS VERSION IS NO LONGER VALID. • © COPYRIGHT 2017 BY THERMACUT® CZECH REPUBLIC. ALL RIGHTS RESERVED.



# REPLACEMENT PARTS SUITABLE FOR HYPER THERM®

POWERMAX® 65 / POWERMAX® 85 / POWERMAX® 105  
DURAMAX® hand torch, DURAMAX® machine torch



# REPLACEMENT PARTS SUITABLE FOR HYPERTHERM®



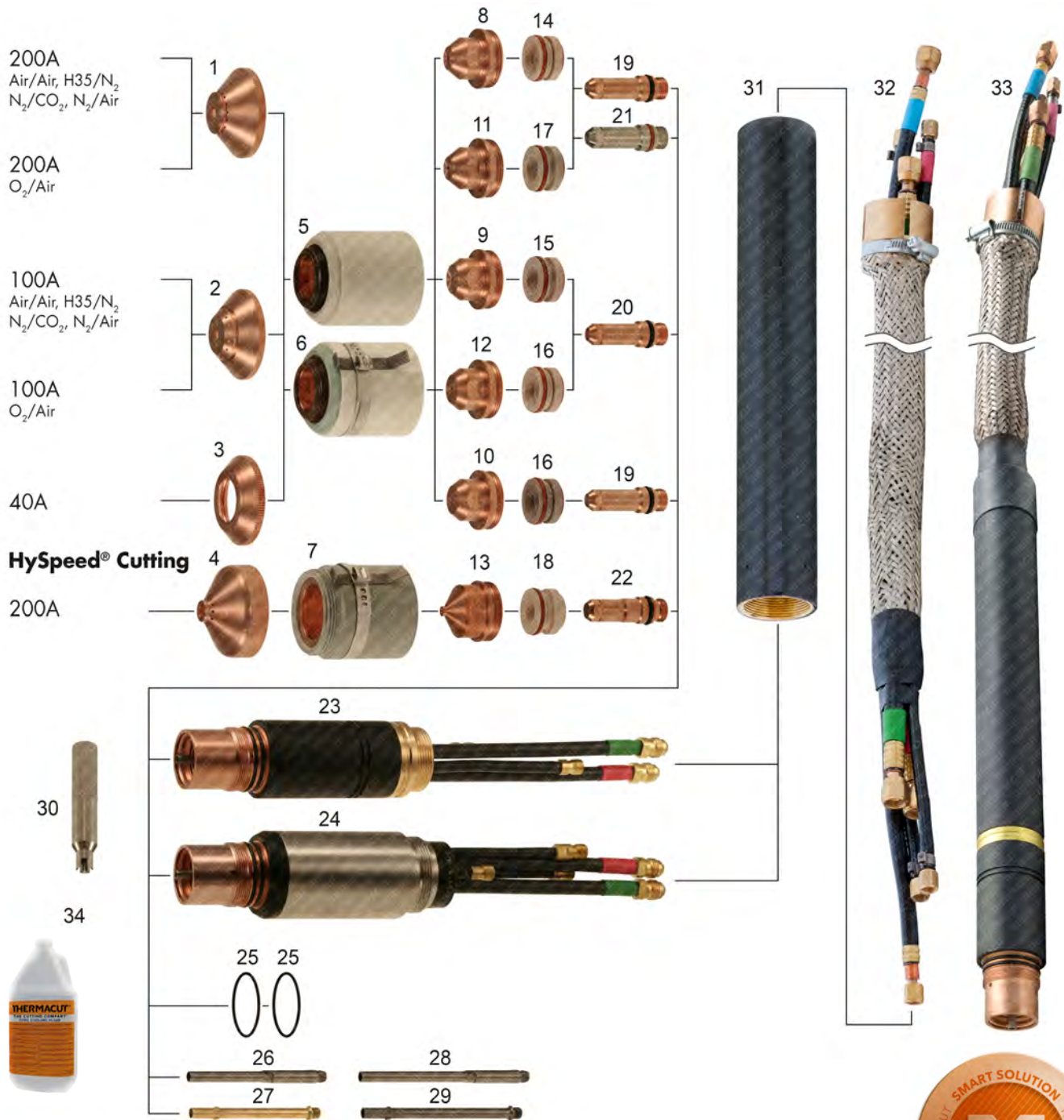
PRODUCT BROCHURE WITH DETAILS AT  
[WWW.THERMACUT.COM](http://WWW.THERMACUT.COM)

**POWERMAX® 65 / POWERMAX® 85 / POWERMAX® 105**  
**DURAMAX® hand torch, DURAMAX® machine torch**

Item	Part No.	Ref. No.	Description	Std. Pkg.	Item	Part No.	Ref. No.	Description	Std. Pkg.
1.	KT-1513	059473-UR	DURAMAX® Hand Torch with Leads 7,6m (25')	1		T-13076	059484-UR	DURAMAX® Mach Torch Short with Leads 15m (50')	1
	KT-1514	059474-UR	DURAMAX® Hand Torch with Leads 15,2m (50')	1	3.	KT-1517	059476-UR	DURAMAX® Machine Torch with Leads 4,6m (15')	1
	KT-1515	059475-UR	DURAMAX® Hand Torch with Leads 22,9m (75')	1		KT-1518	059477-UR	DURAMAX® Machine Torch with Leads 7,6m (25')	1
2.	T-13073	059481-UR	DURAMAX® Mach Torch Short with Leads 4,6m (15')	1		KT-1519	059478-UR	DURAMAX® Machine Torch with Leads 10,7m (35')	1
	T-13074	059482-UR	DURAMAX® Mach Torch Short with Leads 7,6m (25')	1		KT-1520	059479-UR	DURAMAX® Machine Torch with Leads 15m (50')	1
	T-13075	059483-UR	DURAMAX® Mach Torch Short with Leads 10,7m (35')	1		KT-1521	059480-UR	DURAMAX® Machine Torch with Leads 23m (75')	1

# REPLACEMENT PARTS SUITABLE FOR HYPERTHERM®

HT® 2000 HySpeed® | PAC® 200/T



Parts for HyPro™ / MaxPro™ line of HT2000® also available; see other pages for details

THERMACUT®, FHT-EX® AND EX-TRAFIRE® ARE REGISTERED TRADEMARKS OF THERMACUT, K. S. AND MAY BE REGISTERED IN CZECH REPUBLIC AND/OR OTHER COUNTRIES. ALL OTHER TRADEMARKS ARE PROPERTIES OF THEIR RESPECTIVE OWNERS. THERMACUT IS NO WAY AFFILIATED WITH HYPERTHERM®. MOST THERMACUT PARTS ARE MADE FOR OR BY AN IBG COMPANY. PARTS INDICATED WITH A OEM ARE ORIGINAL PARTS MANUFACTURED BY THE ABOVE NAMED MANUFACTURER AND ARE BEING RESOLD BY THERMACUT. THERMACUT RESERVES THE RIGHT TO SUBSTITUTE OEM PARTS IN PLACE OF THERMACUT PARTS. VALID FROM JULY 2017 • PREVIOUS VERSION IS NO LONGER VALID. • © COPYRIGHT 2017 BY THERMACUT® CZECH REPUBLIC. ALL RIGHTS RESERVED.

# REPLACEMENT PARTS SUITABLE FOR HYPERTHERM®

HT®2000 HySpeed® | PAC®200/T

Item	Part No.	Ref. No.	Description	Std. Pkg.	Item	Part No.	Ref. No.	Description	Std. Pkg.
*1.	T-0365	020424	Shield, Machine 200A	1	NS T-2838	120258		Electrode 200A, Extended	5
2.	T-0366	020448	Shield, Machine 100A	1	21. T-4901	020664-AG		Electrode, SilverEX®, 40A, 200A	5
3.	T-0368	020688	Shield, Machine 40A	1	22. T-8859	220235		Electrode HySpeed® 200A	5
*NS	T-10317*	120260-UR	Shield 200A, O <sub>2</sub> /Air, Bevel	1	* T-10261*	220235-UR		Electrode HySpeed® 200A	5
*4.	T-4462*	220239-UR	Shield HySpeed® 200A	1	*NS T-0382*	020415-UR		Electrode 100-200A	5
5.	T-0370	020423	Retaining Cap	1	23. T-9757	120584		MAX®200/HT®2000, Machine Torch Main Body (same as 020470)	1
6.	T-10242	120837	Retaining Cap, Ohmic	1	24. T-4066	120356		MAX®200/HT®2000, S.S. Machine Torch Main Body	1
7.		220242 OEM	Retaining Cap HySpeed®, Ohmic	1	25. T-0383	044027		O-Ring	1
*NS	T-10304*	220238-UR	Retaining Cap HySpeed®	1	#26. T-1813	020963		Water Tube, OEM Torch	1
8.	T-0372	020608	Nozzle 200A	5	**27. T-4119	T-4119		Water Tube, TMT/OEM Torch	1
9.	T-0373	020611	Nozzle 100A	5	#28. T-10876	120257		Water Tube Extended, OEM Torch	1
10.	T-0376	020689	Nozzle 40A	5	**29. PT-11557	T-4120		Water Tube Extended, TMT/OEM Torch	1
11.	T-0371	020605	Nozzle 200A, O <sub>2</sub>	5	30. T-1397	T-1397		Water Tube Wrench, TMT	1
12.	T-1045	020690	Nozzle 100A	5	31. T-0386	020431		Sleeve, insul., 1.75" dia. (for 120584)	1
NS	T-2839	120259	Nozzle 200A, O <sub>2</sub> /Air, Bevel	1	NS T-1001	020041		Sleeve, insul., 2.0" dia. (for 120356)	1
13.	T-8860	220237	Nozzle HySpeed® 200A	1	32. KT-1412	028659		HT®2000 Cable Leads, 6,1m (20')	1
14.	T-1047	020679	Swirl Ring 200A	1	KT-1213	028546		HT®2000 Cable Leads, 7,6m (25')	1
15.	T-0378	020607	Swirl Ring 100A	1	KT-1085	028662		HT®2000 Cable Leads, 12,2m (40')	1
16.	T-0379	020613	Swirl Ring 40A, 100A	1	KT-1081	028547		HT®2000 Cable Leads, 15,2m (50')	1
17.	T-1046	120833	Swirl Ring 200A, O <sub>2</sub>	1	33.			Cable with torch available on request.	
	T-10945	120834	Swirl Ring 200A, O <sub>2</sub> CCW	1	34.			Coolant Liquid. Details on Accessories page.	
18.	T-10318	220236	Swirl Ring HySpeed® 200A	1					
19.	T-0998	120667	Electrode 40A, 200A	5				Different types of cable leads available on request	
20.	T-0773	120547	Electrode 100A, 200A	5				Parts for HyPro™/MaxPro™ line of HT®2000 also available; see other pages for details.	

# COMPATIBLE WITH OEM TORCH ONLY, DOESN'T FIT TO THERMACUT TORCH

\* FULLY INTERCHANGEABLE WITH ORIGINAL PARTS, BUT DIFFERS FROM ORIGINAL DESIGN

\*\* COMPATIBLE WITH THERMACUT AND OEM TORCH

-AG HEAVY DUTY SILVER ELECTRODE, OFFERS BETTER LIFETIME

CCW COUNTER CLOCK WISE GAS SWIRLING, USE OF CCW PARTS WILL MAKE CUT ANGLE ON THE OPPOSITE SIDE, THAN WITH STANDARD CLOCK WISE (CW) SWIRLING PARTS.

SMART SOLUTION - DESIGN IMPROVEMENTS THAT BRINGS ADDED VALUE SUCH AS IMPROVED LIFETIME OF CONSUMABLES, EXCELLENT CUT QUALITY, SPEED OR BETTER COST EFFECTIVENESS OF YOUR SYSTEM

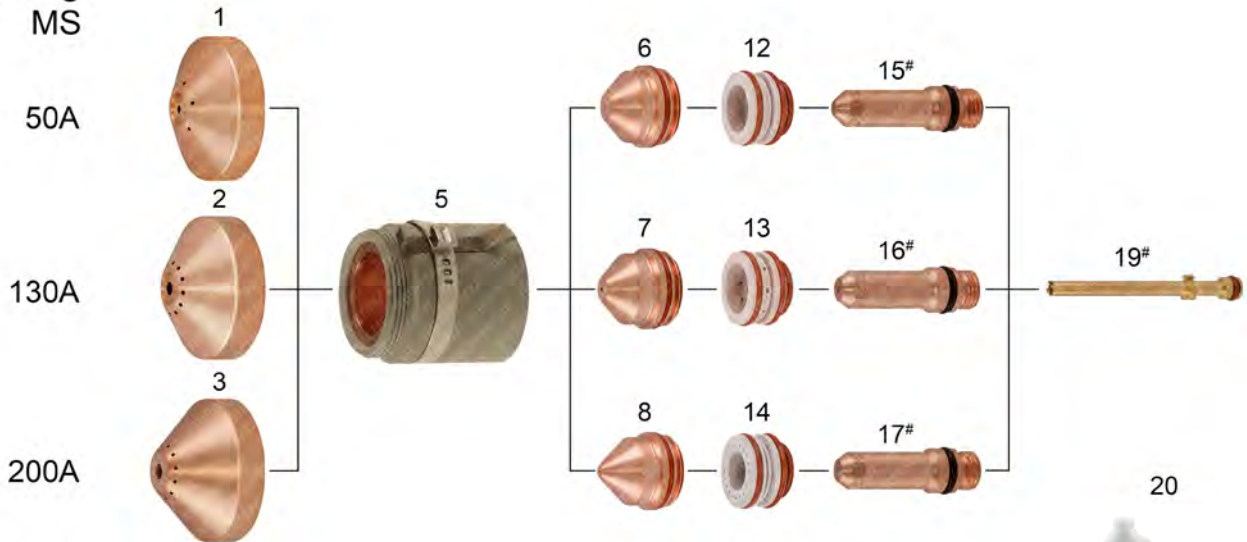
THERMACUT®, FHT-EX® AND EX-TRAFIRE® ARE REGISTERED TRADEMARKS OF THERMACUT, K. S. AND MAY BE REGISTERED IN CZECH REPUBLIC AND/OR OTHER COUNTRIES. ALL OTHER TRADEMARKS ARE PROPERTIES OF THEIR RESPECTIVE OWNERS. THERMACUT IS NO WAY AFFILIATED WITH HYPERTHERM®. MOST THERMACUT PARTS ARE MADE FOR OR BY AN IBG COMPANY. PARTS INDICATED WITH A OEM ARE ORIGINAL PARTS MANUFACTURED BY THE ABOVE NAMED MANUFACTURER AND ARE BEING RESOLD BY THERMACUT. THERMACUT RESERVES THE RIGHT TO SUBSTITUTE OEM PARTS IN PLACE OF THERMACUT PARTS. VALID FROM JULY 2017 • PREVIOUS VERSION IS NO LONGER VALID. • © COPYRIGHT 2017 BY THERMACUT® CZECH REPUBLIC. ALL RIGHTS RESERVED.



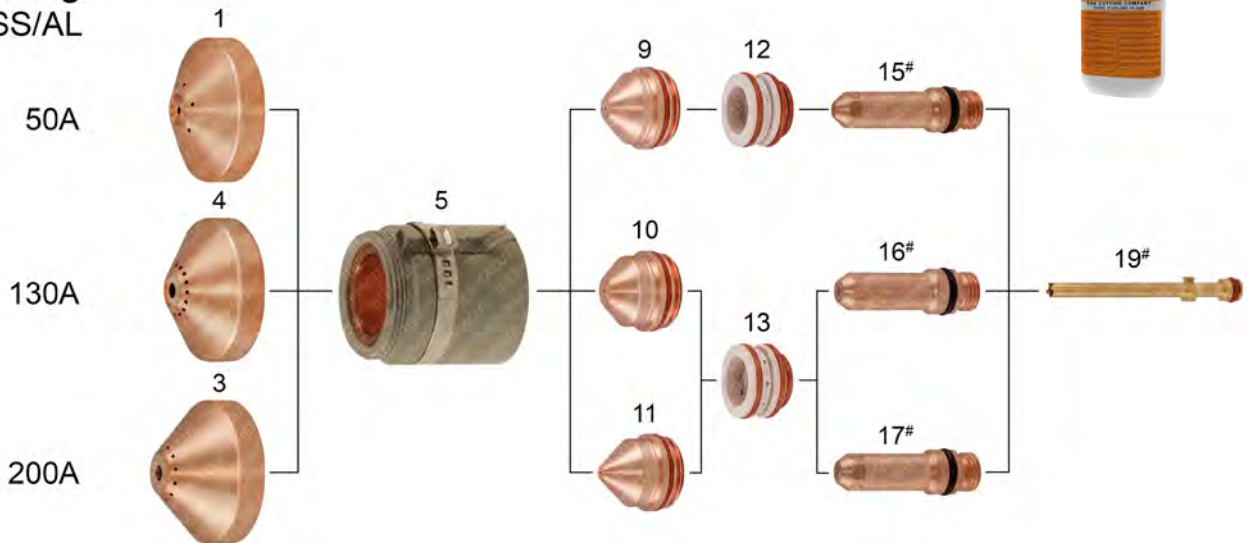
# REPLACEMENT PARTS SUITABLE FOR HYPERTHERM®

HyPro™2000/MaxPro™200 upgrade torch  
For HT®2000 mild steel, stainless steel, aluminum

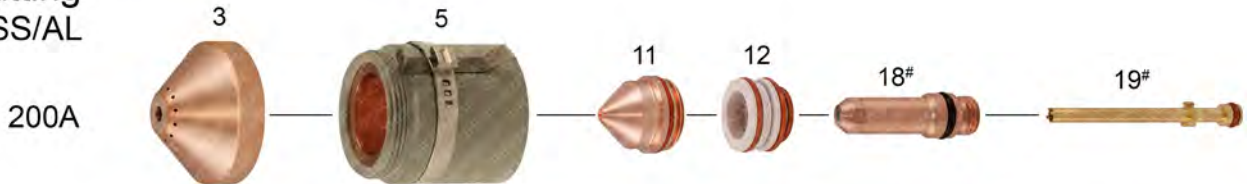
O<sub>2</sub> cutting  
MS



Air cutting  
MS/SS/AL



N<sub>2</sub> cutting  
SS/AL



Parts for HyPro™ / MaxPro™ line of Max200® also available; see other pages for details

THERMACUT®, FHT-EX® AND EX-TRAFIRE® ARE REGISTERED TRADEMARKS OF THERMACUT, K. S. AND MAY BE REGISTERED IN CZECH REPUBLIC AND/OR OTHER COUNTRIES. ALL OTHER TRADEMARKS ARE PROPERTIES OF THEIR RESPECTIVE OWNERS. THERMACUT IS NO WAY AFFILIATED WITH HYPERTHERM®. MOST THERMACUT PARTS ARE MADE FOR OR BY AN IBG COMPANY. PARTS INDICATED WITH A OEM ARE ORIGINAL PARTS MANUFACTURED BY THE ABOVE NAMED MANUFACTURER AND ARE BEING RESOLD BY THERMACUT. THERMACUT RESERVES THE RIGHT TO SUBSTITUTE OEM PARTS IN PLACE OF THERMACUT PARTS. VALID FROM JULY 2017 • PREVIOUS VERSION IS NO LONGER VALID. • © COPYRIGHT 2017 BY THERMACUT® CZECH REPUBLIC. ALL RIGHTS RESERVED.

# REPLACEMENT PARTS SUITABLE FOR HYPERTHERM®



PRODUCT BROCHURE WITH DETAILS AT  
[WWW.THERMACUT.COM](http://WWW.THERMACUT.COM)

## HyPro™2000/MaxPro™200 upgrade torch

For HT®2000 mild steel, stainless steel, aluminum

Item	Part No.	Ref. No.	Description	Std. Pkg.	Item	Part No.	Ref. No.	Description	Std. Pkg.		
NEW	1.	T-11283	220532	Shield 50A O <sub>2</sub> /Air	1	NEW	12.	T-11282	220529	Swirl Ring 50A O <sub>2</sub> /Air, 200A N <sub>2</sub>	1
NEW	2.	T-11281	220491	Shield 130A O <sub>2</sub>	1	NEW	13.	T-11280	220488	Swirl Ring 130A (200A)	1
NEW	3.	T-11375	220832	Shield 200A O <sub>2</sub> /Air	1	NEW	14.	T-11312	220834	Swirl Ring 200A O <sub>2</sub>	1
NEW	4.	T-11284	220536	Shield 130A Air	1	NEW	15.	T-11309#	220528-UR	Electrode 45A (50A)	5
NEW	5.	T-11349*	220936-UR	Retaining Cap 50-200A O <sub>2</sub> /Air, 200A N <sub>2</sub>	1	NEW	16.	T-11304#	220487-UR	Electrode 130A O <sub>2</sub> /Air	5
NS	T-11348*	220935-UR	Retaining Cap 50-200A O <sub>2</sub> /Air, 200A N <sub>2</sub> w/o IHS	1	NEW	17.	T-11317#	220937-UR	Electrode 200A O <sub>2</sub> /Air	5	
NEW	6.	T-11314*	220891-UR	Nozzle 50A O <sub>2</sub>	5	NEW	18.	T-0382#	020415-UR	Electrode 100-200A	5
NEW	7.	T-11316*	220893-UR	Nozzle 130A O <sub>2</sub>	5	NEW	19.	T-11307#	220521-UR	Cooling Tube (use with TMT electrode)	1
NEW	8.	T-11836*	220831-UR	Nozzle 200A O <sub>2</sub>	1		20.			Coolant Liquid. Details on Accessories page.	
NEW	9.	T-11313*	220890-UR	Nozzle 50A Air	5	NS	T-1227	220961-UR		Torch Body	1
NEW	10.	T-11315*	220892-UR	Nozzle 130A O <sub>2</sub> /Air	5	Parts for HyPro™ / MaxPro™ line of Max200® also available; see other pages for details					
NEW	11.	T-11837*	420044-UR	Nozzle 200A O <sub>2</sub> /Air/N <sub>2</sub>	5						

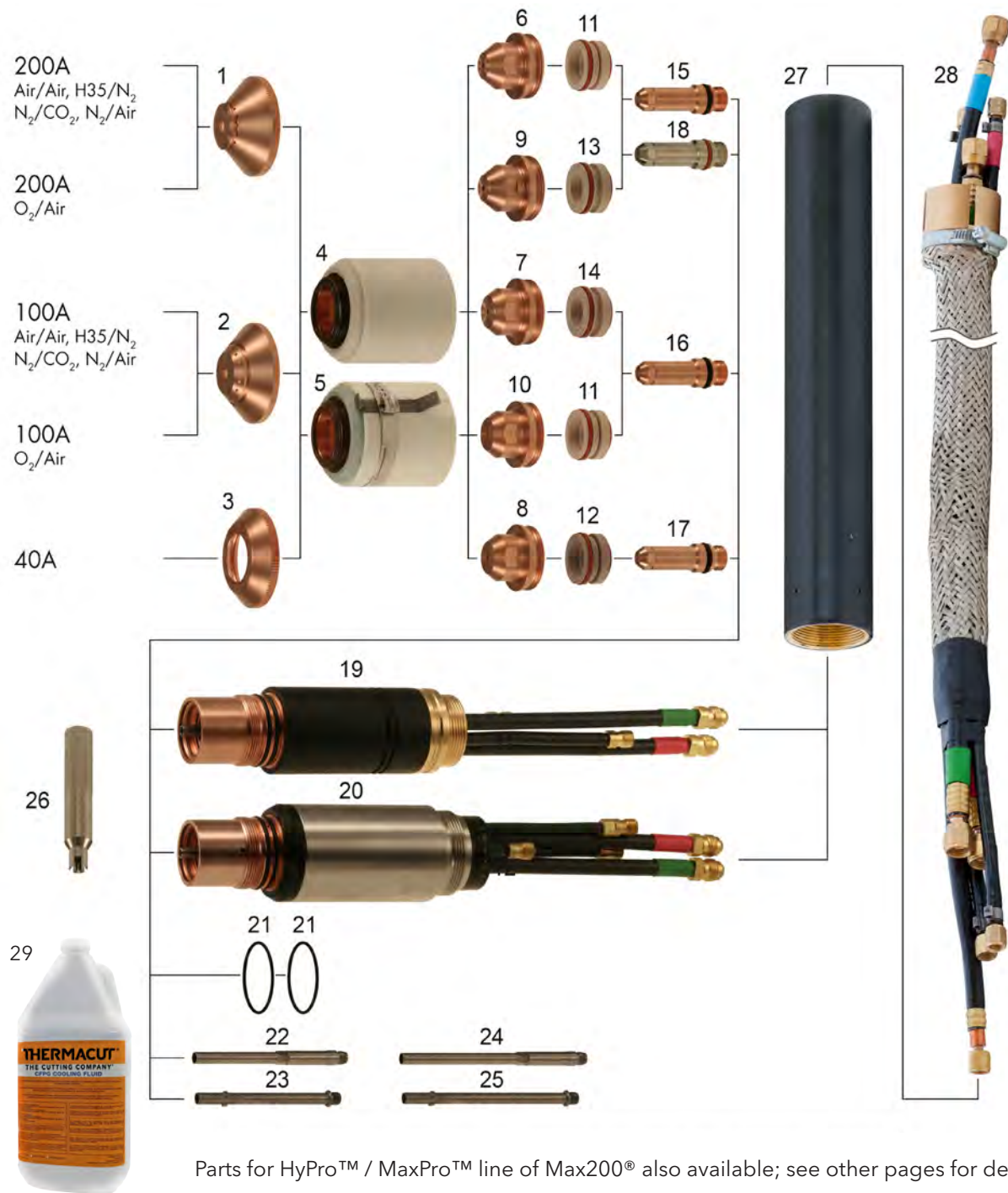
\* FULLY INTERCHANGEABLE WITH ORIGINAL PARTS, BUT DIFFERS FROM ORIGINAL DESIGN

# THERMACUT ELECTRODES HAS TO BE USED WITH THERMACUT DESIGN COOLING TUBE, OTHERWISE IT DOESN'T FIT TO THE TORCH, THERMACUT COOLING TUBE CAN BE USED FOR THERMACUT DESIGN ELECTRODES AND FOR ORIGINAL DESIGN TOO.  
W/O WITHOUT

THERMACUT®, FHT-EX® AND EX-TRAFIRE® ARE REGISTERED TRADEMARKS OF THERMACUT, K. S. AND MAY BE REGISTERED IN CZECH REPUBLIC AND/OR OTHER COUNTRIES. ALL OTHER TRADEMARKS ARE PROPERTIES OF THEIR RESPECTIVE OWNERS. THERMACUT IS NO WAY AFFILIATED WITH HYPERTHERM®. MOST THERMACUT PARTS ARE MADE FOR OR BY AN IBG COMPANY. PARTS INDICATED WITH A OEM ARE ORIGINAL PARTS MANUFACTURED BY THE ABOVE NAMED MANUFACTURER AND ARE BEING RESOLD BY THERMACUT. THERMACUT RESERVES THE RIGHT TO SUBSTITUTE OEM PARTS IN PLACE OF THERMACUT PARTS.  
VALID FROM JULY 2017 • PREVIOUS VERSION IS NO LONGER VALID. • © COPYRIGHT 2017 BY THERMACUT® CZECH REPUBLIC. ALL RIGHTS RESERVED.

# REPLACEMENT PARTS SUITABLE FOR HYPERTHERM®

MAX®200 | PAC®200T/E



THERMACUT®, FHT-EX® AND EX-TRAFIRE® ARE REGISTERED TRADEMARKS OF THERMACUT, K. S. AND MAY BE REGISTERED IN CZECH REPUBLIC AND/OR OTHER COUNTRIES. ALL OTHER TRADEMARKS ARE PROPERTIES OF THEIR RESPECTIVE OWNERS. THERMACUT IS NO WAY AFFILIATED WITH HYPERTHERM®. MOST THERMACUT PARTS ARE MADE FOR OR BY AN IBG COMPANY. PARTS INDICATED WITH A OEM ARE ORIGINAL PARTS MANUFACTURED BY THE ABOVE NAMED MANUFACTURER AND ARE BEING RESOLD BY THERMACUT. THERMACUT RESERVES THE RIGHT TO SUBSTITUTE OEM PARTS IN PLACE OF THERMACUT PARTS. VALID FROM JULY 2017 • PREVIOUS VERSION IS NO LONGER VALID. • © COPYRIGHT 2017 BY THERMACUT® CZECH REPUBLIC. ALL RIGHTS RESERVED.

# REPLACEMENT PARTS SUITABLE FOR HYPERTHERM®

MAX®200 | PAC®200T/E

Item	Part No.	Ref. No.	Description	Std. Pkg.	Item	Part No.	Ref. No.	Description	Std. Pkg.
*1.	T-0365	020424	Shield, Machine 200A	1	NS	T-0382	020415-UR	Electrode N <sub>2</sub> /ArH <sub>2</sub> 100A, 200A	5
2.	T-0366	020448	Shield, Machine 100A	1	20.	T-4066	120356	Max200®/HT2000®, S.S. Machine Torch Main Body	1
3.	T-0368	020688	Shield, Machine 40A	1	21.	T-0383	044027	O-Ring	1
4.	T-0370	020423	Retaining Cap	1	#22.	T-1813	020963	Water Tube, OEM Torch	1
5.	T-10242	120837	Retaining Cap, Ohmic	1	**23.	T-4119	T-4119	Water Tube, TMT/OEM Torch	1
6.	T-0372	020608	Nozzle 200A, .086, Air, N2, H35	1	#24.	T-10876	120257	Water Tube Extended, OEM Torch	1
7.	T-0373	020611	Nozzle 100A, .059	1	**25.	PT-11557	T-4120	Water Tube Extended, TMT/OEM Torch	1
8.	T-0376	020689	Nozzle 40A, .038, Air	1	26.	T-1397	T-1397	Water Tube Wrench, TMT	1
9.	T-0371	020605	Nozzle O <sub>2</sub> 200A, .082	1	27.	T-0386	020431	Sleeve, insul., 1.75" dia. (for 020470)	1
10.	T-0375	020616	Nozzle O <sub>2</sub> 100A, .055	1	NS	T-1001	020041	Sleeve, insul., 2.0" dia. (for 120356)	1
	T-2389	120259	Nozzle, Bevel, O <sub>2</sub>	5	28.	T-0669	028383	MAX200® Cable Leads, Mach. 7.6m (25')	1
11.	T-0378	020607	Swirl Ring 100A, 200A, .086, Air, N2	1		T-0671	028457	MAX200® Cable Leads, Mach. 9.1m (30')	1
12.	T-0379	020613	Swirl Ring 40A, Air	1		T-0672	028458	MAX200® Cable Leads, Mach.10.7m (35')	1
13.	T-0377	020604	Swirl Ring O <sub>2</sub> 200A	1		T-0673	028459	MAX200® Cable Leads, Mach.12.2m (40')	1
14.	T-0380	020617	Swirl Ring O <sub>2</sub> 100A	1		T-0674	028460	MAX200® Cable Leads, Mach.13.7m (45')	1
NS	T-1046	120833	Swirl Ring, Bevel, 2CCA, Oxy	1		T-0670	028384	MAX200® Cable Leads, Mach.15.2m (50')	1
*15.	T-3926*	220021-UR	Electrode 40A, 200A	1		KT-1078	K.MAX200.21M.K	MAX200® Cable Leads, Mach. 2.1m (69')	1
NS	T-2838	120258	Electrode 200A, Bevel	5		T-2829	028599	MAX200® Cable Leads, Mach. 22.9m (75')	1
16.	T-0773	120547	Electrode 100A,	5		T-3444	028781	MAX200® Cable Leads, Mach. 30.5m (100')	1
17.	T-0998	120667	Electrode 200A	5	29	Coolant Liquid. Details on Accessories page.			
18.	T-4901	020664-AG	Electrode, SilverEX®, 200A	5	Individual cable hoses available upon request				
19.	T-0384	020470	Max200®, Machine Torch Main Body (same as 120584)	1	Parts for HyPro™ / MaxPro™ line of Max200® also available; see other pages for details				

- # COMPATIBLE WITH OEM TORCH ONLY, DOESN'T FIT TO THERMACUT TORCH
- \* FULLY INTERCHANGEABLE WITH ORIGINAL PARTS, BUT DIFFERS FROM ORIGINAL DESIGN
- \*\* COMPATIBLE WITH THERMACUT AND OEM TORCH
- AG HEAVY DUTY SILVER ELECTRODE, OFFERS BETTER LIFETIME

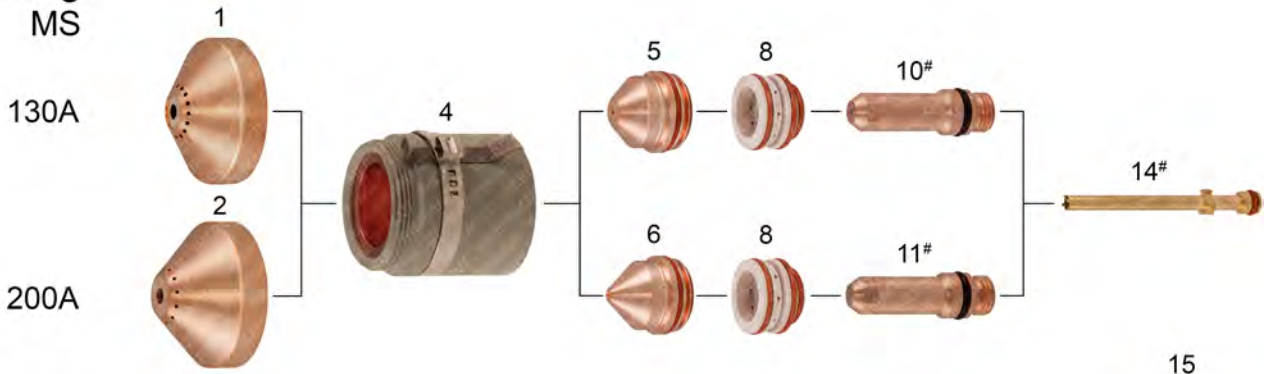
THERMACUT®, FHT-EX® AND EX-TRAFIRE® ARE REGISTERED TRADEMARKS OF THERMACUT, K. S. AND MAY BE REGISTERED IN CZECH REPUBLIC AND/OR OTHER COUNTRIES. ALL OTHER TRADEMARKS ARE PROPERTIES OF THEIR RESPECTIVE OWNERS. THERMACUT IS NO WAY AFFILIATED WITH HYPERTHERM®. MOST THERMACUT PARTS ARE MADE FOR OR BY AN IBG COMPANY. PARTS INDICATED WITH A OEM ARE ORIGINAL PARTS MANUFACTURED BY THE ABOVE NAMED MANUFACTURER AND ARE BEING RESOLD BY THERMACUT. THERMACUT RESERVES THE RIGHT TO SUBSTITUTE OEM PARTS IN PLACE OF THERMACUT PARTS. VALID FROM JULY 2017 • PREVIOUS VERSION IS NO LONGER VALID. • © COPYRIGHT 2017 BY THERMACUT® CZECH REPUBLIC. ALL RIGHTS RESERVED.



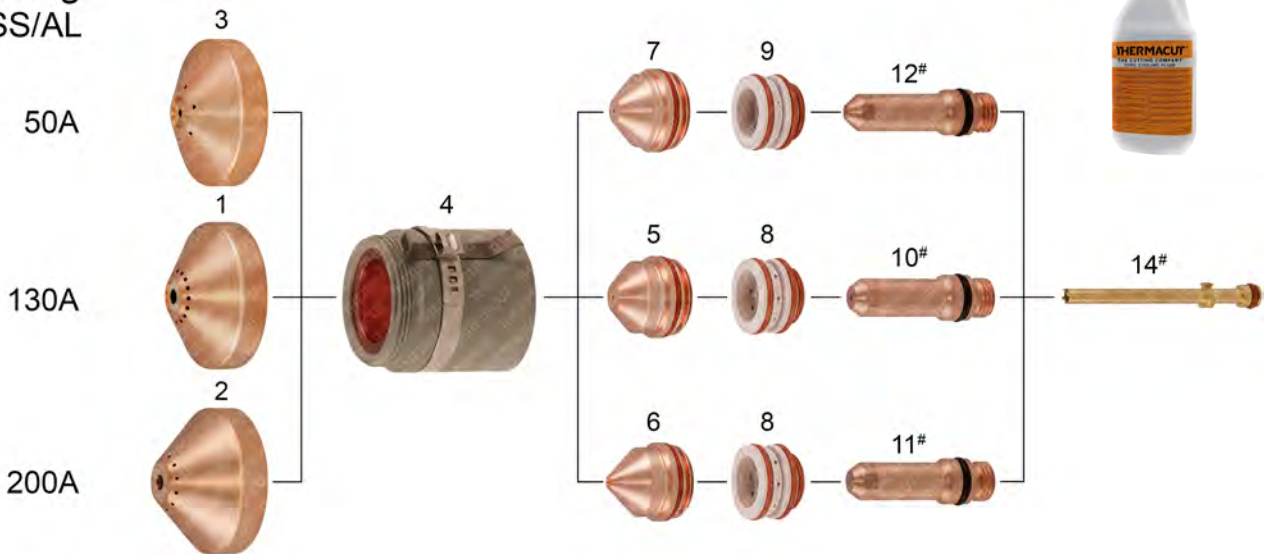
# REPLACEMENT PARTS SUITABLE FOR HYPERTHERM®

HyPro™2000/MaxPro™200 upgrade torch  
For MAX®200 mild steel, stainless steel, aluminum

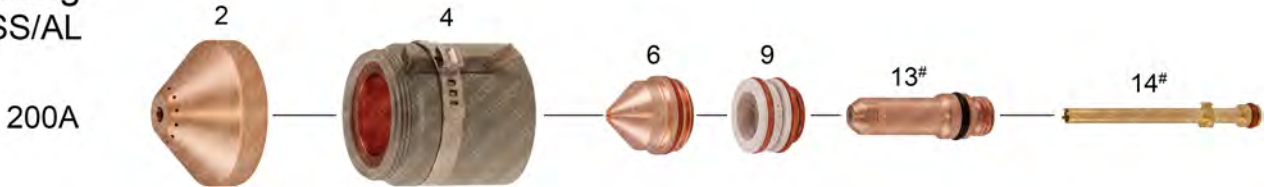
O<sub>2</sub> cutting  
MS



Air cutting  
MS/SS/AL



N<sub>2</sub> cutting  
SS/AL



THERMACUT®, FHT-EX® AND EX-TRAFIRE® ARE REGISTERED TRADEMARKS OF THERMACUT, K. S. AND MAY BE REGISTERED IN CZECH REPUBLIC AND/OR OTHER COUNTRIES. ALL OTHER TRADEMARKS ARE PROPERTIES OF THEIR RESPECTIVE OWNERS. THERMACUT IS NO WAY AFFILIATED WITH HYPERTHERM®. MOST THERMACUT PARTS ARE MADE FOR OR BY AN IBG COMPANY. PARTS INDICATED WITH A OEM ARE ORIGINAL PARTS MANUFACTURED BY THE ABOVE NAMED MANUFACTURER AND ARE BEING RESOLD BY THERMACUT. THERMACUT RESERVES THE RIGHT TO SUBSTITUTE OEM PARTS IN PLACE OF THERMACUT PARTS. VALID FROM JULY 2017 • PREVIOUS VERSION IS NO LONGER VALID. • © COPYRIGHT 2017 BY THERMACUT® CZECH REPUBLIC. ALL RIGHTS RESERVED.

# REPLACEMENT PARTS SUITABLE FOR HYPERTHERM®



PRODUCT BROCHURE WITH DETAILS AT  
[WWW.THERMACUT.COM](http://WWW.THERMACUT.COM)

## HyPro™2000/MaxPro™200 upgrade torch

For MAX®200 mild steel, stainless steel, aluminum

Item	Part No.	Ref. No.	Description	Std. Pkg.	Item	Part No.	Ref. No.	Description	Std. Pkg.		
NEW	1.	T-11284	220536	Shield 130A O <sub>2</sub> /Air	1	NEW	9.	T-11282	220529	Swirl Ring 50A Air, 200A N <sub>2</sub>	1
	2.	T-11376	420045	Shield 200A O <sub>2</sub> /Air/N <sub>2</sub>	1	NEW	10.	T-11304#	220487-UR	Electrode 130A O <sub>2</sub> /Air	5
NEW	3.	T-11283	220532	Shield 50A Air	1	NEW	11.	T-11317#	220937-UR	Electrode 200A O <sub>2</sub> /Air	5
NEW	4.	T-11349*	220936-UR	Retaining Cap 50–200A O <sub>2</sub> /Air, 200A N <sub>2</sub>	1	NEW	12.	T-11309#	220528-UR	Electrode 45A (50A)	5
NS	T-11348*	220935-UR	Retaining Cap 50–200A O <sub>2</sub> /Air, 200A N <sub>2</sub> w/o LHS	1	NEW	13.	T-0382#	020415-UR	Electrode 100–200A	5	
NEW	5.	T-11315*	220892-UR	Nozzle 130A O <sub>2</sub> /Air	5	NEW	14.	T-11307#	220521-UR	Cooling Tube (use with TMT electrode)	1
	6.	T-11837*	420044-UR	Nozzle 200A O <sub>2</sub> /Air/N <sub>2</sub>	5	15.	Coolant Liquid. Details on Accessories page.				
NEW	7.	T-11313*	220890-UR	Nozzle 50A Air	5	NS	T-1227	220961-UR	Torch Body	1	
NEW	8.	T-11280	220488	Swirl Ring 130A (200A)	1						

\* FULLY INTERCHANGEABLE WITH ORIGINAL PARTS, BUT DIFFERS FROM ORIGINAL DESIGN

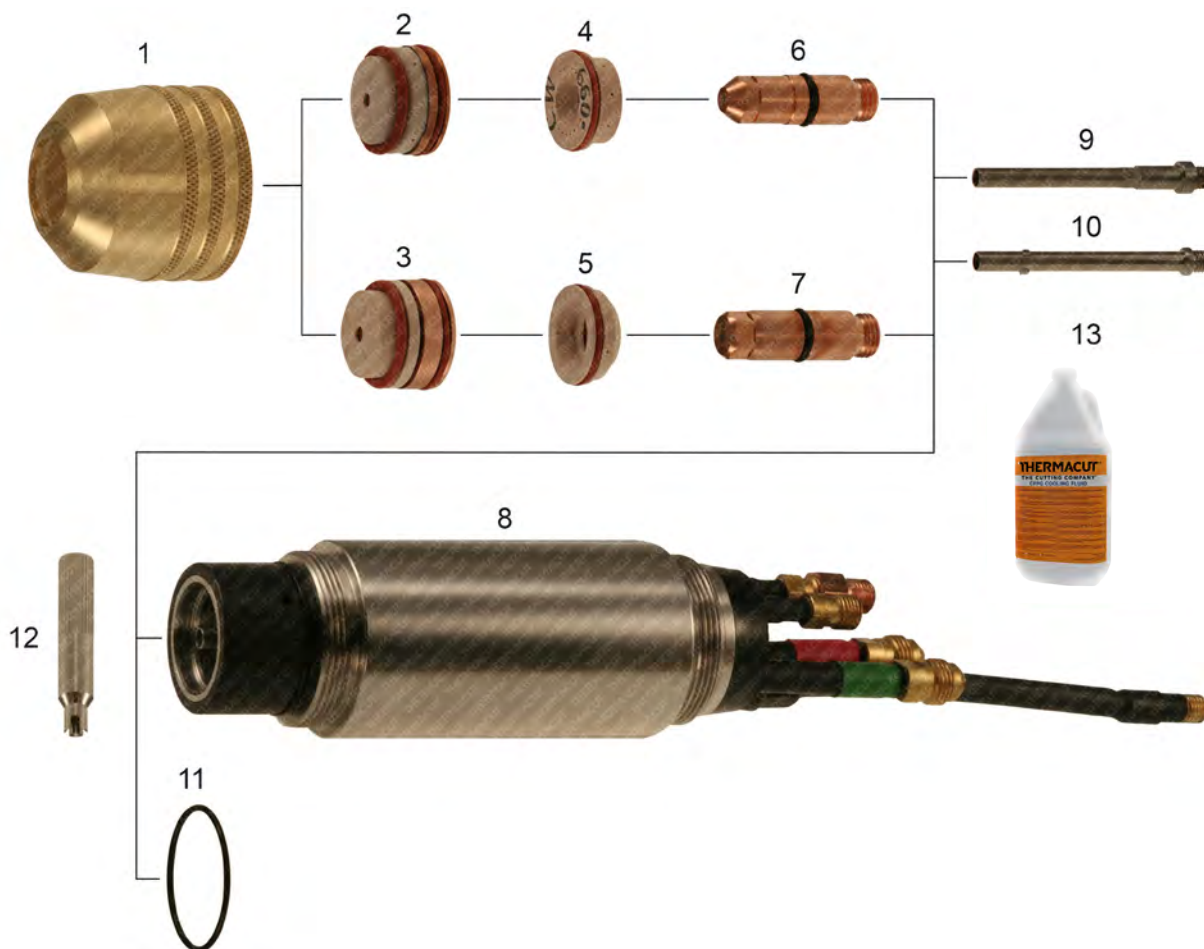
# THERMACUT ELECTRODES HAS TO BE USED WITH THERMACUT DESIGN COOLING TUBE, OTHERWISE IT DOESN'T FIT TO THE TORCH, THERMACUT COOLING TUBE CAN BE USED FOR THERMACUT DESIGN ELECTRODES AND FOR ORIGINAL DESIGN TOO.

W/O WITHOUT

THERMACUT®, FHT-EX® AND EX-TRAFIRE® ARE REGISTERED TRADEMARKS OF THERMACUT, K. S. AND MAY BE REGISTERED IN CZECH REPUBLIC AND/OR OTHER COUNTRIES. ALL OTHER TRADEMARKS ARE PROPERTIES OF THEIR RESPECTIVE OWNERS. THERMACUT IS NO WAY AFFILIATED WITH HYPERTHERM®. MOST THERMACUT PARTS ARE MADE FOR OR BY AN IBG COMPANY. PARTS INDICATED WITH A OEM ARE ORIGINAL PARTS MANUFACTURED BY THE ABOVE NAMED MANUFACTURER AND ARE BEING RESOLD BY THERMACUT. THERMACUT RESERVES THE RIGHT TO SUBSTITUTE OEM PARTS IN PLACE OF THERMACUT PARTS. VALID FROM JULY 2017 • PREVIOUS VERSION IS NO LONGER VALID. • © COPYRIGHT 2017 BY THERMACUT® CZECH REPUBLIC. ALL RIGHTS RESERVED.

# REPLACEMENT PARTS SUITABLE FOR HYPERTHERM®

HT®400, HT®4000, HT®4001



THERMACUT®, FHT-EX® AND EX-TRAFIRE® ARE REGISTERED TRADEMARKS OF THERMACUT, K. S. AND MAY BE REGISTERED IN CZECH REPUBLIC AND/OR OTHER COUNTRIES. ALL OTHER TRADEMARKS ARE PROPERTIES OF THEIR RESPECTIVE OWNERS. THERMACUT IS NO WAY AFFILIATED WITH HYPERTHERM®. MOST THERMACUT PARTS ARE MADE FOR OR BY AN IBG COMPANY. PARTS INDICATED WITH A OEM ARE ORIGINAL PARTS MANUFACTURED BY THE ABOVE NAMED MANUFACTURER AND ARE BEING RESOLD BY THERMACUT. THERMACUT RESERVES THE RIGHT TO SUBSTITUTE OEM PARTS IN PLACE OF THERMACUT PARTS. VALID FROM JULY 2017 • PREVIOUS VERSION IS NO LONGER VALID. • © COPYRIGHT 2017 BY THERMACUT® CZECH REPUBLIC. ALL RIGHTS RESERVED.

# REPLACEMENT PARTS SUITABLE FOR HYPER THERM®

## HT®400

Item	Part No.	Ref. No.	Description	Std. Pkg.	Item	Part No.	Ref. No.	Description	Std. Pkg.
1.	T-0088	020579	Retaining Cap	1	8.	T-0085	020080	Torch Body HT®400	1
2.	T-0078	020086	Nozzle 260A, 340A, O <sub>2</sub>	1	#9.	T-1389#	020990 OEM	Water Tube (For OEM Torch)	1
3.	T-0080	020084	Nozzle, .166, N <sub>2</sub>	1	**10.	T-1388**	020990UR	Water Tube (For TMT Torch)	1
4.	T-0081	020096	Swirl Ring, O <sub>2</sub>	1	11.	T-1006	044028	O-Ring	1
5.	T-0020	020039	Swirl Ring, .120/.166/.187, N <sub>2</sub>	1	12.	T-1397	T-1397	Wrench for TMT Water Tube	1
6.	T-0083	020081	Electrode, O <sub>2</sub>	5	13.	Coolant Liquid. Details on the Accessories page.			
7.	T-0084	020082	Electrode, N <sub>2</sub>	5					

## HT®4000

Item	Part No.	Ref. No.	Description	Std. Pkg.	Item	Part No.	Ref. No.	Description	Std. Pkg.
1.	T-0088	020579	Retaining Cap	1	7.	T-0084	020082	Electrode, N <sub>2</sub>	5
2.	T-0078	020086	Nozzle 260A, 340A, O <sub>2</sub>	1	8.	T-1393	020328	Torch Body HT®400	1
3.	T-0080	020084	Nozzle, .166, N <sub>2</sub>	1	#9.	T-1389#	020990 OEM	Water Tube (For OEM Torch)	1
	T-0510	020282	Nozzle, .166, N <sub>2</sub>	1	**10.	T-1388**	020990UR	Water Tube (For TMT Torch)	1
	T-0511	020283	Nozzle, .187, N <sub>2</sub>	1	11.	T-1006	044028	O-Ring	1
4.	T-1292	020623	Swirl Ring	1	12.	T-1397	T-1397	Wrench for TMT Water Tube	1
6.	T-1293	020663	Electrode, O <sub>2</sub>	5	13.	Coolant Liquid. Details on the Accessories page.			
	T-0083	020081	Electrode, O <sub>2</sub>	5					

## HT®4001

Item	Part No.	Ref. No.	Description	Std. Pkg.	Item	Part No.	Ref. No.	Description	Std. Pkg.
1.	T-0088	020579	Retaining Cap	1	7.	T-0084	020082	Electrode, N <sub>2</sub>	5
2.	T-0078	020086	Nozzle 260A, 340A, O <sub>2</sub>	1	8.	T-1393	020328	Torch Body HT®400	1
3.	T-0080	020084	Nozzle, .166, N <sub>2</sub>	1	#9.	T-1389#	020990 OEM	Water Tube (For OEM Torch)	1
	T-0510	020282	Nozzle, .166, N <sub>2</sub>	1	**10.	T-1388**	020990UR	Water Tube (For TMT Torch)	1
	T-0511	020283	Nozzle, .187, N <sub>2</sub>	1	11.	T-1006	044028	O-Ring	1
4.	T-1292	020623	Swirl Ring	1	12.	T-1397	T-1397	Wrench for TMT Water Tube	1
6.	T-1293	020663	Electrode, O <sub>2</sub>	5	13.	Coolant Liquid. Details on the Accessories page.			
	T-2864*	120630-UR	Electrode, O <sub>2</sub>	5					

## ACCESSORIES

Item	Part No.	Ref. No.	Description	Std. Pkg.	Item	Part No.	Ref. No.	Description	Std. Pkg.
NS T-0631	028137		Leads, Shielded, 10'	1	NS T-0635	028141		Leads, Shielded, 30'	1
NS T-0632	028138		Leads, Shielded, 15'	1	NS T-0636	028142		Leads, Shielded, 35'	1
NS T-0633	028139		Leads, Shielded, 20'	1	NS T-0637	028143		Leads, Shielded, 40'	1
NS T-0634	028140		Leads, Shielded, 25'	1	Individual cable hoses available upon request				

# Compatible with OEM torch only, doesn't fit to Thermacut torch

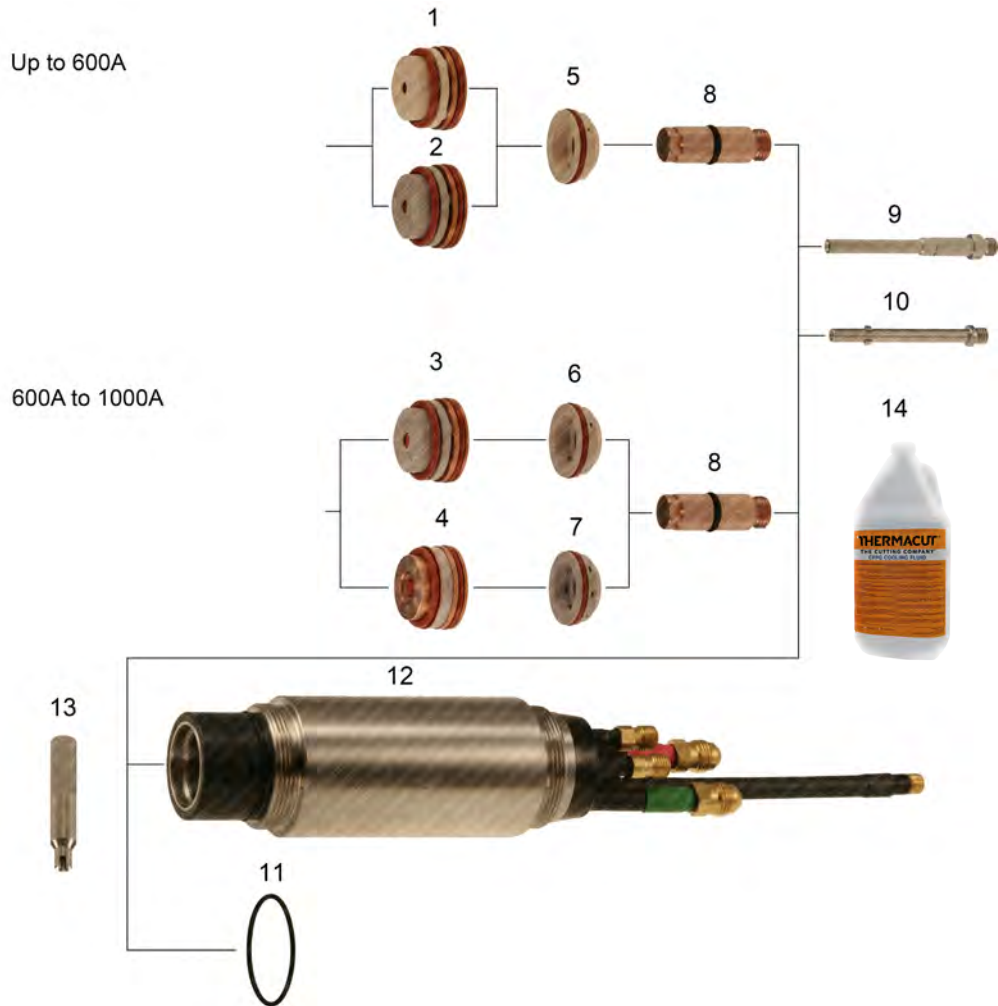
\*\* Compatible with Thermacut and OEM torch

NS Not shown in the picture



# REPLACEMENT PARTS SUITABLE FOR HYPERTHERM®

PAC® 500 | MODEL 500®



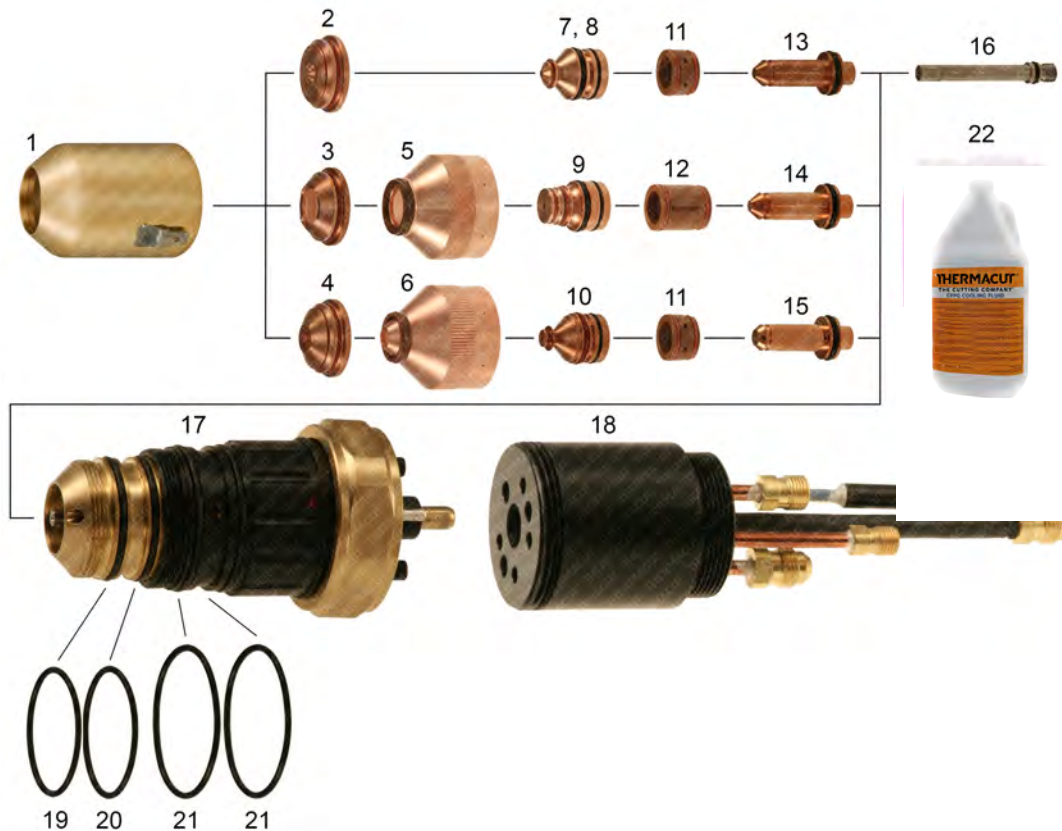
Item	Part No.	Ref. No.	Description	Std. Pkg	Item	Part No.	Ref. No.	Description	Std. Pkg.
1.	T-0016	020035	Nozzle, .166	1	13.	T-1397	T-1397	Wrench for TMT Water Tube	1
2.	T-0017	020036	Nozzle, .187	1	14.	Coolant liquid. See Accessories page for details.			
3.	T-0018	020037	Nozzle, .220	1	NS	T-0631	028137	HT400®, PAC500® Cable Leads, 3.0m (10')	1
4.	T-0019	020047	Nozzle, .250	1	NS	T-0632	028138	HT400®, PAC500® Cable Leads, 4.5m (15')	1
5.	T-0020	020039	Swirl Ring, .120/.166/.187	1	NS	T-0633	028139	HT400®, PAC500® Cable Leads, 6.1m (20')	1
	T-0021	020042	Swirl Ring CCW, .166, .187	1	NS	T-0634	028140	HT400®, PAC500® Cable Leads, 7.6m (25')	1
6.	T-0022	020040	Swirl Ring, .220	1	NS	T-0635	028141	HT400®, PAC500® Cable Leads, 9.2m (30')	1
7.	T-0023	020048	Swirl Ring, .250	1	NS	T-0636	028142	HT400®, PAC500® Cable Leads, 10.7m (35')	1
8.	T-0024	020038	Electrode	5	NS	T-0637	028143	HT400®, PAC500® Cable Leads, 12.2m (40')	1
#9.	T-0598#	120035 OEM	Water Tube (For OEM Torch)	1	NS	KT-1217	K.HT400.15,2M.K	HT400®, PAC500® Cable Leads, 15.2m (50')	1
**10.	T-1395**	T-1395	Water Tube TMT (For TMT Torch)	1	NS	KT-1165	K.PAC500.15,2M	PAC500® Mach. Torch with Leads 15.2m (50')	1
11.	T-1013	025028	O-Ring	1	NS	KT-1164	K.PAC500.22,9M	PAC500® Mach. Torch with Leads 22.9m (75')	1
12.	T-0025	020030	Torch Main Body PAC500	1	Different types of cable leads available upon request				

# COMPATIBLE WITH OEM TORCH ONLY, DOESN'T FIT TO THERMACUT TORCH  
 \*\* COMPATIBLE WITH THERMACUT AND OEM TORCH  
 NS NOT SHOWN IN THE PICTURE

THERMACUT®, FHT-EX® AND EX-TRAFIRE® ARE REGISTERED TRADEMARKS OF THERMACUT, K. S. AND MAY BE REGISTERED IN CZECH REPUBLIC AND/OR OTHER COUNTRIES. ALL OTHER TRADEMARKS ARE PROPERTIES OF THEIR RESPECTIVE OWNERS. THERMACUT IS NO WAY AFFILIATED WITH HYPERTHERM®. MOST THERMACUT PARTS ARE MADE FOR OR BY AN IBG COMPANY. PARTS INDICATED WITH A OEM ARE ORIGINAL PARTS MANUFACTURED BY THE ABOVE NAMED MANUFACTURER AND ARE BEING RESOLD BY THERMACUT. THERMACUT RESERVES THE RIGHT TO SUBSTITUTE OEM PARTS IN PLACE OF THERMACUT PARTS. VALID FROM JULY 2017 • PREVIOUS VERSION IS NO LONGER VALID. • © COPYRIGHT 2017 BY THERMACUT® CZECH REPUBLIC. ALL RIGHTS RESERVED.

# REPLACEMENT PARTS SUITABLE FOR HYPERTHERM®

HD®1070/HD®3070 HyDefinition® | PAC®182/PAC®186/PAC®190



Item	Part No.	Ref. No.	Description	Std. Pkg.	Item	Part No.	Ref. No.	Description	Std. Pkg.
1.	T-2828	020687	Shield Cap With IHS Tab	1	15.	T-8062	120410	Electrode 100A MS	5
2.	T-8046	020671	Shield 30-50A MS	10	16.	T-8100	120377	Tube, Water Electrode Cooling, PAC®186	1
3.	T-8047	020796	Shield 70A MS/SS	10	17.	T-8063	120349-UR	Torch Main Body, PAC®186	1
4.	T-8048	120273	Shield 100A MS	10	18.	T-8094	028855-UR	Assy, PAC®185/PAC®186, Straight Quick Disconnect	1
5.	T-8050	020795	Inner Retaining Cap 50-70A MS, SS	1	NS	T-10628	T-10628	O-Ring Set For OEM Version	1
6.	T-8051	120266	Inner Retaining Cap 100A MS	1	19.	T-8095	044025	O-Ring	1
7.	T-8053	020645	Nozzle 30A MS	1	20.	T-4028	044026	O-Ring	1
8.	T-8054	020646	Nozzle 50A MS	5	21.	T-4029	044507	O-Ring	1
9.	T-8055	020647	Nozzle 70A MS, SS	5	NS	KT-1073	028499	PAC®186 Cable Leads, 6,1m (20')	1
10.	T-8056	120272	Nozzle 100A MS	5	NS	KT-1329	028500	PAC®186 Cable Leads, 7,6m (25')	1
11.	T-8057	020637	Swirl Ring 15-100A MS	1	NS	KT-1252	028870	PAC®186 Cable Leads, 12,2m (40')	1
12.	T-8058	020789	Swirl Ring 70A MS/SS	2	22.			Coolant Liquid. Details on Accessories page.	
13.	T-8060	120111	Electrode 15-30A	5				Different types of cable leads available on request	
14.	T-8061	120112	Electrode 70A MS/SS	5					

\*\* A UNIQUE DESIGN WHICH ENHANCES PERFORMANCE AND DIFFERS FROM OEM DESIGNS

NS NOT SHOWN IN THE PICTURE

MS MILD STEEL

SS STAINLESS STEEL

THERMACUT®, FHT-EX® AND EX-TRAFIRE® ARE REGISTERED TRADEMARKS OF THERMACUT, K. S. AND MAY BE REGISTERED IN CZECH REPUBLIC AND/OR OTHER COUNTRIES. ALL OTHER TRADEMARKS ARE PROPERTIES OF THEIR RESPECTIVE OWNERS. THERMACUT IS NO WAY AFFILIATED WITH HYPERTHERM®. MOST THERMACUT PARTS ARE MADE FOR OR BY AN IBS COMPANY. PARTS INDICATED WITH A OEM ARE ORIGINAL PARTS MANUFACTURED BY THE ABOVE NAMED MANUFACTURER AND ARE BEING RESOLD BY THERMACUT. THERMACUT RESERVES THE RIGHT TO SUBSTITUTE OEM PARTS IN PLACE OF THERMACUT PARTS. VALID FROM JULY 2017 • PREVIOUS VERSION IS NO LONGER VALID. • © COPYRIGHT 2017 BY THERMACUT® CZECH REPUBLIC. ALL RIGHTS RESERVED.

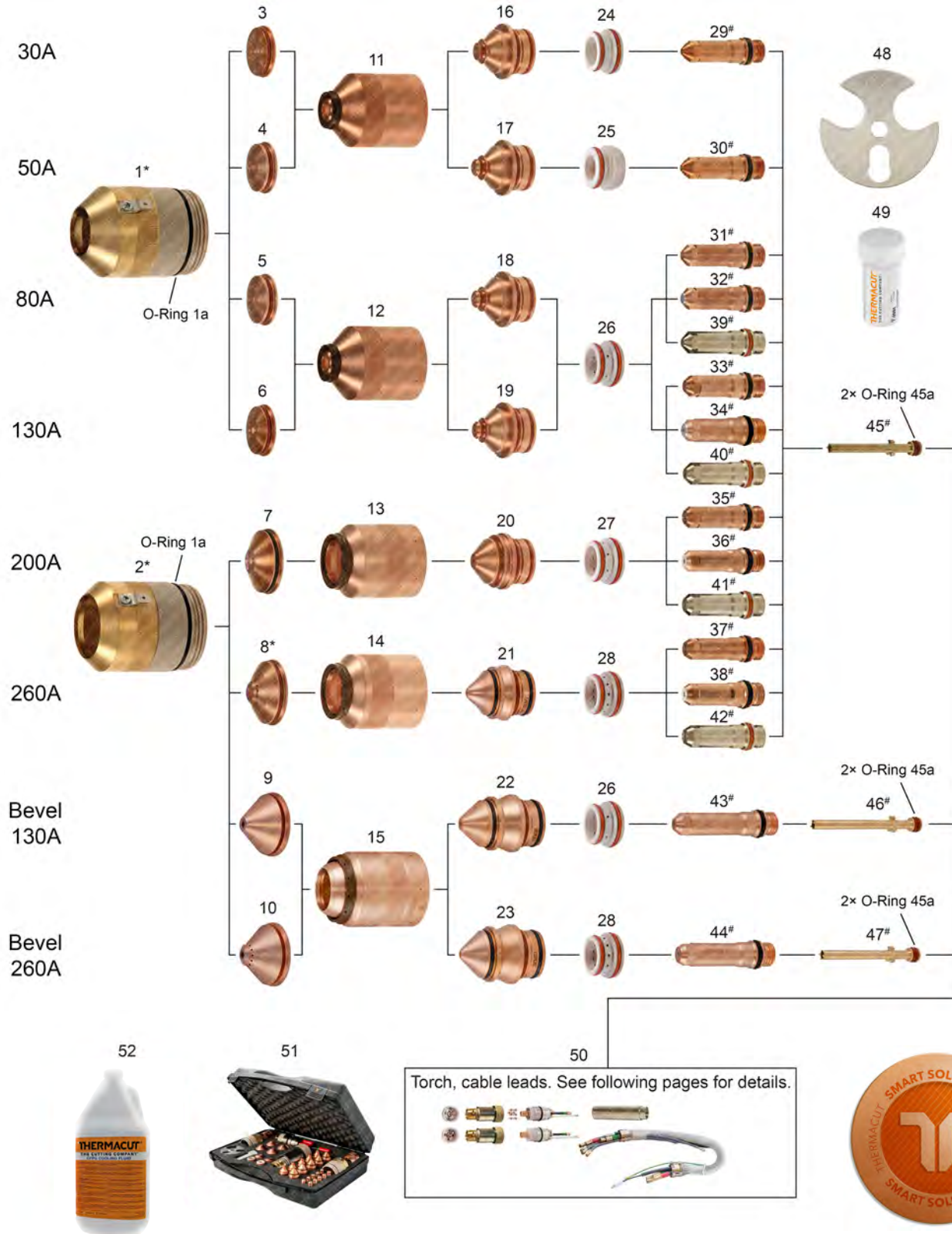
**THERMACUT®**  
THE CUTTING COMPANY

THERMACUT, INC  
153 CHARLESTOWN ROAD  
CLAREMONT, NH 03743

WWW.THERMACUT.COM  
(800) 932-8312 TEL  
(800) 972-6255 FAX

# REPLACEMENT PARTS SUITABLE FOR HYPERTHERM®

HyPerformance® Plasma | HPR®130/HPR®260 mild steel



Torch, cable leads. See following pages for details.

THERMACUT®, FHT-EX® AND EX-TRAFIRE® ARE REGISTERED TRADEMARKS OF THERMACUT, K. S. AND MAY BE REGISTERED IN CZECH REPUBLIC AND/OR OTHER COUNTRIES. ALL OTHER TRADEMARKS ARE PROPERTIES OF THEIR RESPECTIVE OWNERS. THERMACUT IS NO WAY AFFILIATED WITH HYPERTHERM®. MOST THERMACUT PARTS ARE MADE FOR OR BY AN IBG COMPANY. PARTS INDICATED WITH A OEM ARE ORIGINAL PARTS MANUFACTURED BY THE ABOVE NAMED MANUFACTURER AND ARE BEING RESOLD BY THERMACUT. THERMACUT RESERVES THE RIGHT TO SUBSTITUTE OEM PARTS IN PLACE OF THERMACUT PARTS. VALID FROM JULY 2017 • PREVIOUS VERSION IS NO LONGER VALID. • © COPYRIGHT 2017 BY THERMACUT® CZECH REPUBLIC. ALL RIGHTS RESERVED.

# REPLACEMENT PARTS SUITABLE FOR HYPER THERM®

HyPerformance® Plasma | HPR®130/HPR®260 mild steel



PRODUCT BROCHURE WITH DETAILS AT  
WWW.THERMACUT.COM

Item	Part No.	Ref. No.	Description	Std. Pkg.	Item	Part No.	Ref. No.	Description	Std. Pkg.
*1.	T-9961	220173-UR	Shield Cap 30–130A	1	27.	T-10296	220353	Swirl Ring 200A	1
1a.	N-10099	1-031B	O-Ring	1	28.	T-10271	220436	Swirl Ring 260A (260A, Bevel)	1
*2.	T-9964	220398-UR	Shield Cap 200/260A (130/260A, Bevel)	1	#29.	T-9894	220192-UR	Electrode 30A	5
3.	T-10878	220194	Shield 30A	10	#30.	T-10306	220552-UR	Electrode 50A	5
4.	T-10882	220555	Shield 50A	10	#31.	T-9895	220187-UR	Electrode 80A	5
5.	T-9838	220189	Shield 80A	10	#32.	T-12064	220187-PRO	Electrode, Silver PRO 80A(=420566)	5
6.	T-9839	220183	Shield 130A	10	#33.	T-9920	220181-UR	Electrode 130A	5
7.	T-9965	220356	Shield 200A	1	#34.	T-11203	220181-PRO	Electrode, Silver PRO 130A(=220665-PRO)	5
**8.	T-9970	220440-UR	Shield 260A	1	#35.	T-9969	220352-UR	Electrode 200A	5
9.	T-10311	220645	Shield 130A, Bevel	1	#36.	T-11200	220352-PRO	Electrode, Silver PRO 200A(=220666-PRO)	5
10.	T-10881	220545	Shield 260A, Bevel	1	#37.	T-9974	220435-UR	Electrode 260A	5
11.	T-11146	220313	Inner Retaining Cap 30/50A	1	#38.	T-11197	220435-PRO	Electrode, Silver PRO 260A(=220668-PRO)	5
12.	T-11144	220176	Inner Retaining Cap 80/130A	1	#39.	T-4927	220187-AG	Electrode, SilverEX® 80A	5
13.	T-11149	220355	Inner Retaining Cap 200A	1	#40.	T-4917	220181-AG	Electrode, SilverEX® 130A	5
14.	T-11150	220433	Inner Retaining Cap 260A	1	#41.	T-4925	220352-AG	Electrode, SilverEX® 200A	5
15.	T-11151	220603	Inner Retaining Cap 130A/260A, Bevel	1	#42.	T-4926	220435-AG	Electrode, SilverEX® 260A	5
16.	T-10936	220193	Nozzle 30A	1	#43.	T-10309	220649-UR	Electrode 130A, Bevel	5
17.	T-10940	220554	Nozzle 50A	1	#44.	T-10307	220541-UR	Electrode 260A, Bevel	5
18.	T-10935	220188	Nozzle 80A	1	#45.	T-9882	220340-UR	Cooling Tube 30–260A	1
19.	T-10934	220182	Nozzle 130A	1	45a.	T-13016	026009	O-Ring	1
NS	T-11265	220510	Nozzle 100A, HD®3070 upgrade	1	#46.	T-10472	220700-UR	Cooling Tube 80–130A, Bevel	1
20.	T-10937	220354	Nozzle 200A	1	#47.	T-10323	220571-UR	Cooling Tube 400A (260–400A, Bevel)(400–600A, SS, AL)	1
21.	T-10938	220439-US	Nozzle 260A	1	*48.	TN-0069	104119-UR	Consumables Removal Tool	1
22.	T-10941	220646	Nozzle 130A, Bevel	1	49.	T-0994	T-0994	Silicone Lubricant 25ml	1
##23.	T-10308	220542-UR	Nozzle 260A, Bevel	1	50.	Torch, cable leads. See following pages for details.			
24.	T-10297	220180	Swirl Ring 30A	1	51.	Consumable Case. Details on the page 144, section Accessories.			
25.	T-10305	220553	Swirl Ring 50A	1	52.	Coolant Liquid. Details on Accessories page.			
26.	T-10295	220179	Swirl Ring 80/130 (130A, Bevel)	1					

\* FULLY INTERCHANGEABLE WITH ORIGINAL PARTS, BUT DIFFERS FROM ORIGINAL DESIGN

# THERMACUT ELECTRODES MUST BE USED WITH THERMACUT COOLING TUBE, OTHERWISE IT WILL NOT FIT THE TORCH. THERMACUT COOLING TUBE MAY BE USED WITH THERMACUT OR OEM ELECTRODES.

\*\* SHIELD OFFERS BETTER LIFETIME BECAUSE OF IMPROVED DESIGN AND IS FULLY INTERCHANGEABLE AND COMPATIBLE WITH ORIGINAL PARTS

## NOZZLES -UR IN SOME CASES CAN REQUIRE DECREASE OF GAS FLOW, OFFERS SAVINGS OF THE COSTS FOR OXYGEN

NS NOT SHOWN IN THE PICTURE

-PRO SILVER PRO TECHNOLOGY INCREASES ELECTRODE LIFETIME SIGNIFICANTLY COMPARED TO STANDARD COPPER ELECTRODES  
SMART SOLUTION - DESIGN IMPROVEMENTS THAT BRINGS ADDED VALUE SUCH AS IMPROVED LIFETIME OF CONSUMABLES,  
EXCELLENT CUT QUALITY, SPEED OR BETTER COST EFFECTIVENESS OF YOUR SYSTEM

THERMACUT®, FHT-EX® AND EX-TRAFIRE® ARE REGISTERED TRADEMARKS OF THERMACUT, K. S. AND MAY BE REGISTERED IN CZECH REPUBLIC AND/OR OTHER COUNTRIES. ALL OTHER TRADEMARKS ARE PROPERTIES OF THEIR RESPECTIVE OWNERS. THERMACUT IS NO WAY AFFILIATED WITH HYPER THERM®.

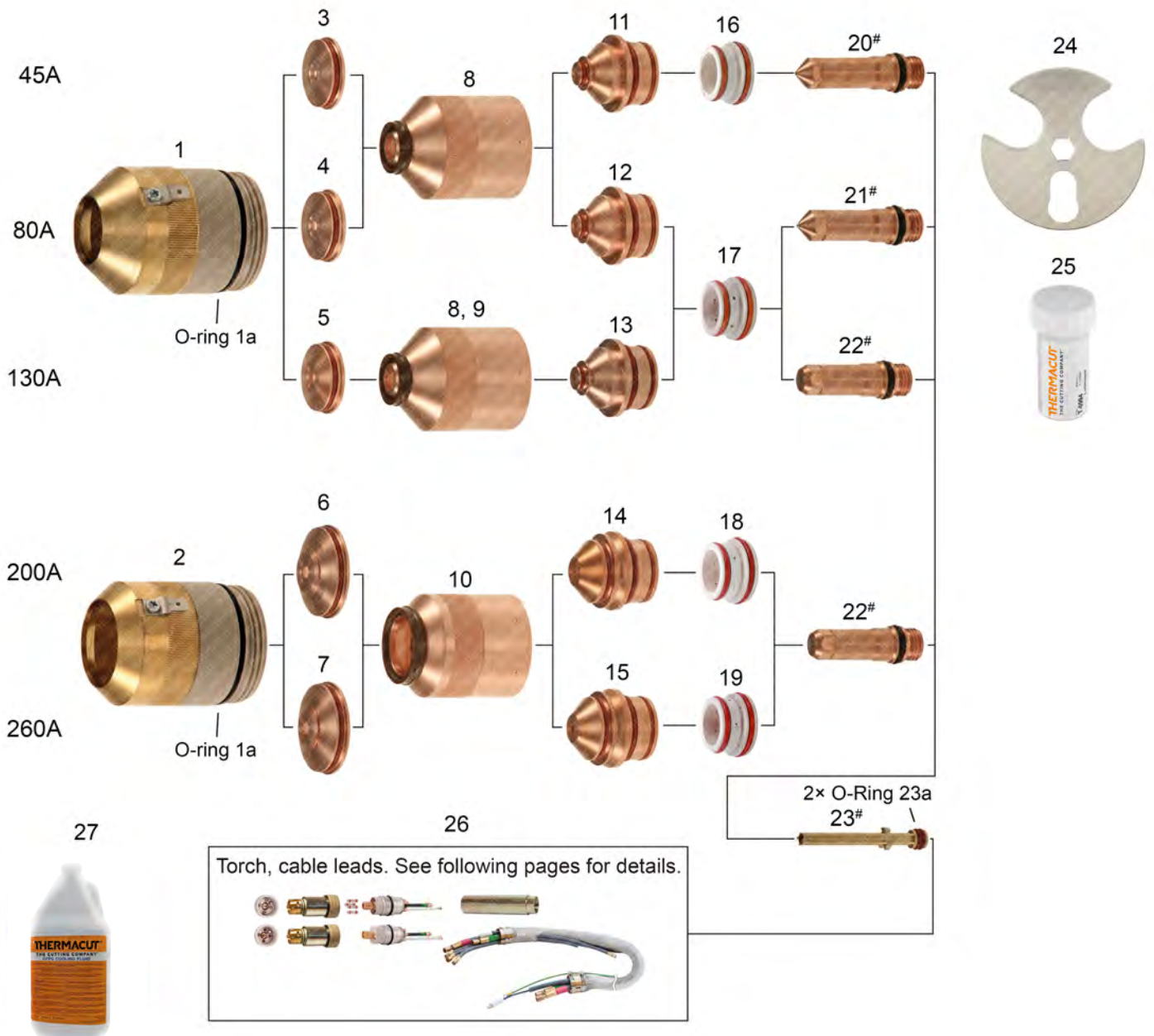
MOST THERMACUT PARTS ARE MADE FOR OR BY AN IBG COMPANY. PARTS INDICATED WITH A OEM ARE ORIGINAL PARTS MANUFACTURED BY THE ABOVE NAMED MANUFACTURER AND ARE BEING RESOLD BY THERMACUT. THERMACUT RESERVES THE RIGHT TO SUBSTITUTE OEM PARTS IN PLACE OF THERMACUT PARTS.

VALID FROM JULY 2017 • PREVIOUS VERSION IS NO LONGER VALID. • © COPYRIGHT 2017 BY THERMACUT® CZECH REPUBLIC. ALL RIGHTS RESERVED.



# REPLACEMENT PARTS SUITABLE FOR HYPERTHERM®

HyPerformance® Plasma | HPR®130/HPR®260 stainless steel



THERMACUT®, FHT-EX® AND EX-TRAFIRE® ARE REGISTERED TRADEMARKS OF THERMACUT, K. S. AND MAY BE REGISTERED IN CZECH REPUBLIC AND/OR OTHER COUNTRIES. ALL OTHER TRADEMARKS ARE PROPERTIES OF THEIR RESPECTIVE OWNERS. THERMACUT IS NO WAY AFFILIATED WITH HYPERTHERM®. MOST THERMACUT PARTS ARE MADE FOR OR BY AN IBG COMPANY. PARTS INDICATED WITH A OEM ARE ORIGINAL PARTS MANUFACTURED BY THE ABOVE NAMED MANUFACTURER AND ARE BEING RESOLD BY THERMACUT. THERMACUT RESERVES THE RIGHT TO SUBSTITUTE OEM PARTS IN PLACE OF THERMACUT PARTS. VALID FROM JULY 2017 • PREVIOUS VERSION IS NO LONGER VALID. • © COPYRIGHT 2017 BY THERMACUT® CZECH REPUBLIC. ALL RIGHTS RESERVED.

# REPLACEMENT PARTS SUITABLE FOR HYPERTHERM®

HyPerformance® Plasma | HPR®130/HPR®260 stainless steel



PRODUCT BROCHURE WITH DETAILS AT  
WWW.THERMACUT.COM

Item	Part No.	Ref. No.	Description	Std. Pkg.	Item	Part No.	Ref. No.	Description	Std. Pkg.
*1.	T-9961	220173-UR	Shield Cap 45-130A	1	16.	T-10297	220180	Swirl Ring 45A	1
*2.	T-9964	220398-UR	Shield Cap 200/260A (130/260A Bevel)	1	17.	T-10295	220179	Swirl Ring 80A/130A (130A Bevel)	1
3.	T-9975	220202	Shield 45A	10	18.	T-10579	220342	Swirl Ring 200A	1
4.	T-9979	220338	Shield 80A	10	19.	T-10596	220405	Swirl Ring 260A (260A Bevel)	1
5.	T-9982	220198	Shield 130A	10	#20.	T-9978	220308-UR	Electrode 45A	5
6.	T-10879	220345	Shield 200A	1	#21.	T-9981	220339-UR	Electrode 80A	5
7.	T-10880	220407	Shield 260A	1	#22.	T-9984	220307-UR	Electrode 130A/200A/260A	5
8.	T-11145	220304	Inner Retaining Cap 45A/80A/130A	1	#23.	T-9882	220340-UR	Cooling Tube 30-260A	1
9.	T-11144	220176	Inner Retaining Cap 130A (N <sub>2</sub> )	1	23a.	N-10055	1-009S	O-Ring	1
10.	T-11147	220344	Inner Retaining Cap 200A/260A	1	*24.	TN-0069*	104119-UR	Consumables Removal Tool	1
11.	T-9977	220201	Nozzle 45A	1	1a.	N-10099	1-031B	O-Ring	1
12.	T-9980	220337	Nozzle 80A	5	25.	T-0994	T-0994	Silicone Lubricant 25ml	1
13.	T-9983	220197	Nozzle 130A	5	26.	Torch, cable leads. See following pages for details.			
14.	T-9987	220343	Nozzle 200A	1	27.	Coolant Liquid. Details on Accessories page.			
15.	T-9990	220406	Nozzle 260A	1					

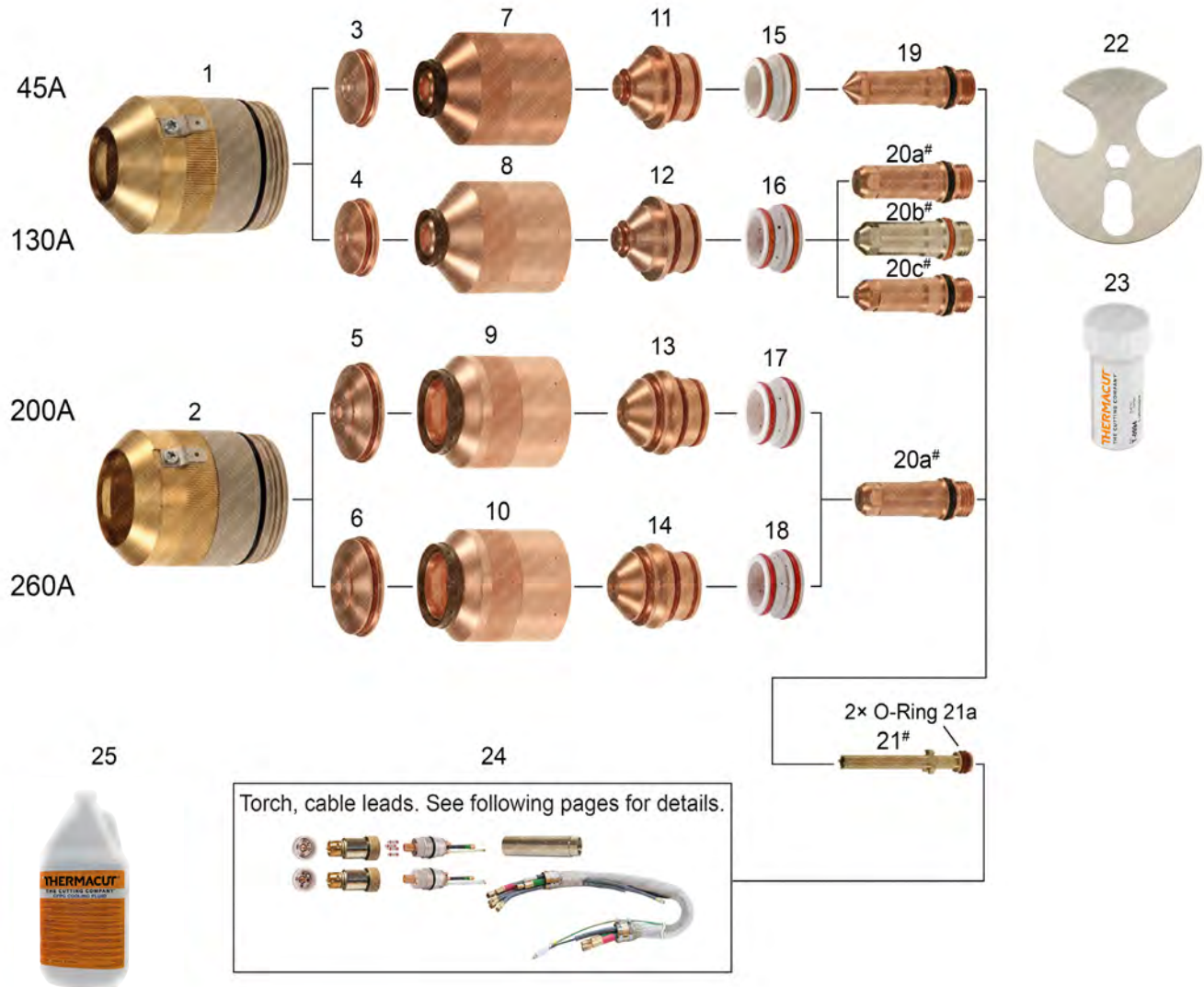
\* FULLY INTERCHANGEABLE WITH ORIGINAL PARTS, BUT DIFFERS FROM ORIGINAL DESIGN

# THERMACUT ELECTRODES MUST BE USED WITH THERMACUT COOLING TUBE, OTHERWISE IT WILL NOT FIT THE TORCH. THERMACUT COOLING TUBE MAY BE USED WITH THERMACUT OR OEM ELECTRODES.  
SMART SOLUTION - DESIGN IMPROVEMENTS THAT BRINGS ADDED VALUE SUCH AS IMPROVED LIFETIME OF CONSUMABLES, EXCELLENT CUT QUALITY, SPEED OR BETTER COST EFFECTIVENESS OF YOUR SYSTEM

THERMACUT®, FHT-EX® AND EX-TRAFIRE® ARE REGISTERED TRADEMARKS OF THERMACUT, K. S. AND MAY BE REGISTERED IN CZECH REPUBLIC AND/OR OTHER COUNTRIES. ALL OTHER TRADEMARKS ARE PROPERTIES OF THEIR RESPECTIVE OWNERS. THERMACUT IS NO WAY AFFILIATED WITH HYPERTHERM®. MOST THERMACUT PARTS ARE MADE FOR OR BY AN IBG COMPANY. PARTS INDICATED WITH A OEM ARE ORIGINAL PARTS MANUFACTURED BY THE ABOVE NAMED MANUFACTURER AND ARE BEING RESOLD BY THERMACUT. THERMACUT RESERVES THE RIGHT TO SUBSTITUTE OEM PARTS IN PLACE OF THERMACUT PARTS.  
VALID FROM JULY 2017 • PREVIOUS VERSION IS NO LONGER VALID. • © COPYRIGHT 2017 BY THERMACUT® CZECH REPUBLIC. ALL RIGHTS RESERVED.

# REPLACEMENT PARTS SUITABLE FOR HYPERTHERM®

HyPerformance® Plasma | HPR®130/HPR®260 aluminum



THERMACUT®, FHT-EX® AND EX-TRAFIRE® ARE REGISTERED TRADEMARKS OF THERMACUT, K. S. AND MAY BE REGISTERED IN CZECH REPUBLIC AND/OR OTHER COUNTRIES. ALL OTHER TRADEMARKS ARE PROPERTIES OF THEIR RESPECTIVE OWNERS. THERMACUT IS NO WAY AFFILIATED WITH HYPERTHERM®. MOST THERMACUT PARTS ARE MADE FOR OR BY AN IBG COMPANY. PARTS INDICATED WITH A OEM ARE ORIGINAL PARTS MANUFACTURED BY THE ABOVE NAMED MANUFACTURER AND ARE BEING RESOLD BY THERMACUT. THERMACUT RESERVES THE RIGHT TO SUBSTITUTE OEM PARTS IN PLACE OF THERMACUT PARTS. VALID FROM JULY 2017 • PREVIOUS VERSION IS NO LONGER VALID. • © COPYRIGHT 2017 BY THERMACUT® CZECH REPUBLIC. ALL RIGHTS RESERVED.



# REPLACEMENT PARTS SUITABLE FOR HYPERTHERM®

HyPerformance® Plasma | HPR®130/HPR®260 aluminum



PRODUCT BROCHURE WITH DETAILS AT  
[WWW.THERMACUT.COM](http://WWW.THERMACUT.COM)

Item	Part No.	Ref. No.	Description	Std. Pkg.	Item	Part No.	Ref. No.	Description	Std. Pkg.
*1.	T-9961	220173-UR	Shield Cap 45-130A	1	15.	T-10297	220180	Swirl Ring 45A	1
*2.	T-9964*	220398-UR	Shield Cap 200/260A	1	16.	T-10295	220179	Swirl Ring 130A	1
3.	T-9975	220202	Shield 45A	10	17.	T-10579	220342	Swirl Ring 200A	1
4.	T-9982	220198	Shield 130A	10	18.	T-10596	220405	Swirl Ring 260A	1
5.	T-10879	220345	Shield 200A	1	#19.	T-9978	220308-UR	Electrode 45A	5
6.	T-10880	220407	Shield 260A	1	#20c	T-9920	220181-UR	Electrode 130A	5
7.,8.	T-11144	220176	Inner Retaining Cap 45A/130A	1	#20b	T-4917	220181-AG	Electrode, SilverEX® 130A	5
8.	T-11145	220304	Inner Retaining Cap 130A	1	#20a	T-9984	220307-UR	Electrode 130A/200A/260A	5
9.	T-11148	220347	Inner Retaining Cap 200A	1	#21.	T-9882	220340-UR	Cooling Tube 30-260A	1
10.	T-11147	220344	Inner Retaining Cap 260A	1	21a.	N-10055	1-009S	O-Ring	1
11.	T-9977	220201	Nozzle 45A	1	*22.	TN-0069	104119-UR	Consumables Removal Tool	1
12.	T-9983	220197	Nozzle 130A	5	23.	T-0994	T-0994	Silicone Lubricant 25ml	1
13.	T-9993	220346	Nozzle 200A	1	24.	Torch, cable leads. See following pages for details.			
14.	T-9990	220406	Nozzle 260A	1	25.	Coolant Liquid. Details on Accessories page.			

\* FULLY INTERCHANGEABLE WITH ORIGINAL PARTS, BUT DIFFERS FROM ORIGINAL DESIGN

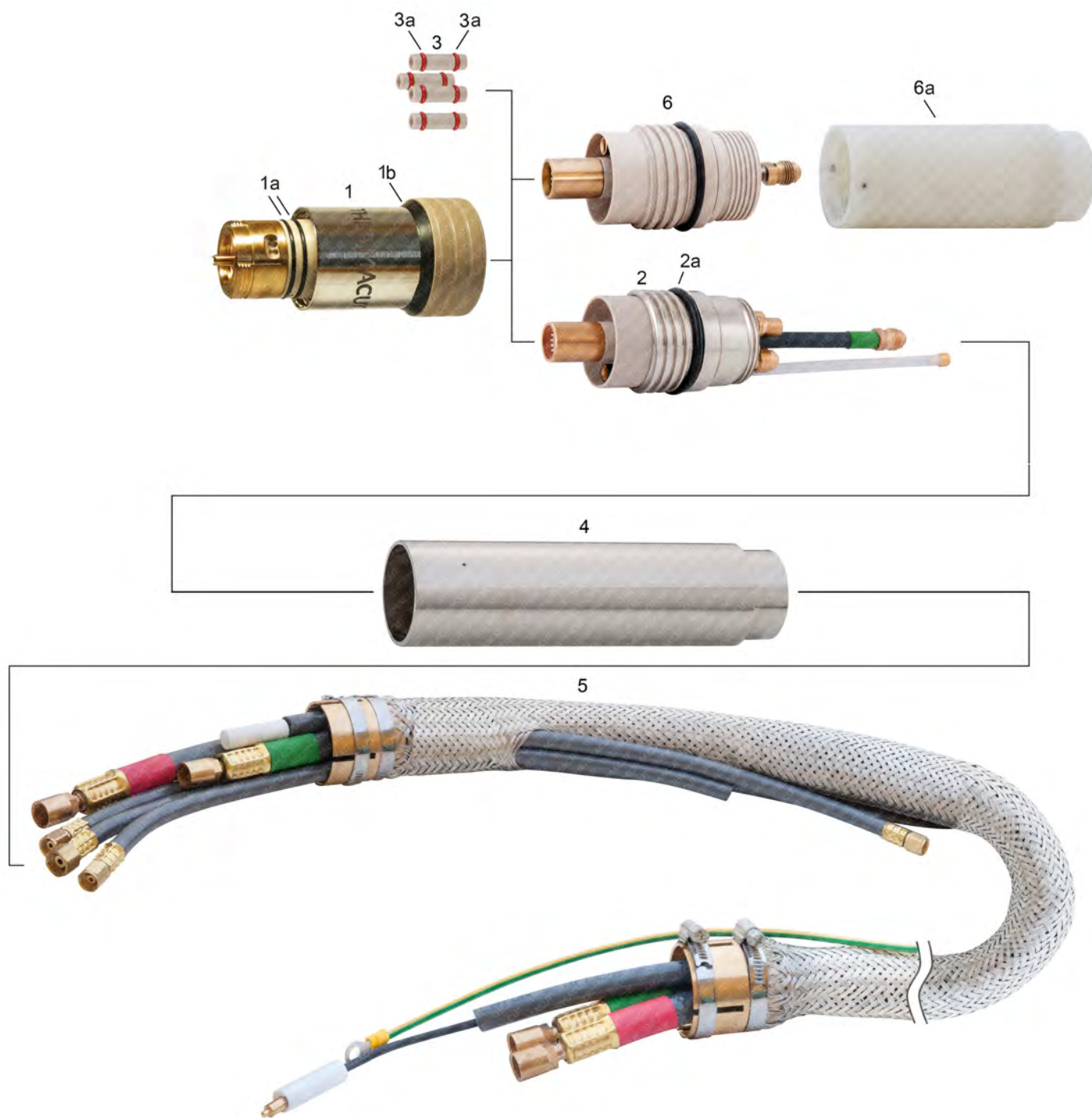
# THERMACUT ELECTRODES MUST BE USED WITH THERMACUT COOLING TUBE, OTHERWISE IT WILL NOT FIT THE TORCH. THERMACUT COOLING TUBE MAY BE USED WITH THERMACUT OR OEM ELECTRODES.  
SMART SOLUTION - DESIGN IMPROVEMENTS THAT BRINGS ADDED VALUE SUCH AS IMPROVED LIFETIME OF CONSUMABLES, EXCELLENT CUT QUALITY, SPEED OR BETTER COST EFFECTIVENESS OF YOUR SYSTEM

THERMACUT®, FHT-EX® AND EX-TRAFIRE® ARE REGISTERED TRADEMARKS OF THERMACUT, K. S. AND MAY BE REGISTERED IN CZECH REPUBLIC AND/OR OTHER COUNTRIES. ALL OTHER TRADEMARKS ARE PROPERTIES OF THEIR RESPECTIVE OWNERS. THERMACUT IS NO WAY AFFILIATED WITH HYPERTHERM®. MOST THERMACUT PARTS ARE MADE FOR OR BY AN IBG COMPANY. PARTS INDICATED WITH A OEM ARE ORIGINAL PARTS MANUFACTURED BY THE ABOVE NAMED MANUFACTURER AND ARE BEING RESOLD BY THERMACUT. THERMACUT RESERVES THE RIGHT TO SUBSTITUTE OEM PARTS IN PLACE OF THERMACUT PARTS.  
VALID FROM JULY 2017 • PREVIOUS VERSION IS NO LONGER VALID. • © COPYRIGHT 2017 BY THERMACUT® CZECH REPUBLIC. ALL RIGHTS RESERVED.



# REPLACEMENT PARTS SUITABLE FOR HYPERTHERM®

HPR®130/HPR®260 | Torches and Cable leads



THERMACUT®, FHT-EX® AND EX-TRAFIRE® ARE REGISTERED TRADEMARKS OF THERMACUT, K. S. AND MAY BE REGISTERED IN CZECH REPUBLIC AND/OR OTHER COUNTRIES. ALL OTHER TRADEMARKS ARE PROPERTIES OF THEIR RESPECTIVE OWNERS. THERMACUT IS NO WAY AFFILIATED WITH HYPERTHERM®. MOST THERMACUT PARTS ARE MADE FOR OR BY AN IBG COMPANY. PARTS INDICATED WITH A OEM ARE ORIGINAL PARTS MANUFACTURED BY THE ABOVE NAMED MANUFACTURER AND ARE BEING RESOLD BY THERMACUT. THERMACUT RESERVES THE RIGHT TO SUBSTITUTE OEM PARTS IN PLACE OF THERMACUT PARTS. VALID FROM JULY 2017 • PREVIOUS VERSION IS NO LONGER VALID. • © COPYRIGHT 2017 BY THERMACUT® CZECH REPUBLIC. ALL RIGHTS RESERVED.

# REPLACEMENT PARTS SUITABLE FOR HYPERTHERM®

## HPR®130/HPR®260 | Torches and Cable leads

Item	Part No.	Ref. No.	Description	Std. Pkg.	Item	Part No.	Ref. No.	Description	Std. Pkg.
1., 3.	T-11137	220162	Torch Q. D. Orig. design (incl. item 5 – 4 pcs; included 2pcs cooling tube 220340-UR)	1	T-11616+	128784-UR+		Cable Leads 7.5m (25ft)	1
1a.	N-10096	1-028B	O-Ring	1			128987-UR+	Cable Leads 10m (35ft)	1
1b.	N-18157		Conical Sealing	1	T-11617+	128785-UR+		Cable Leads 15m (50ft)	1
2.	T-11138	220163	Receptacle Q. D. Original design	1			128988-UR+	Cable Leads 20m (65ft)	1
2a.	N-18108	N-18108	O-Ring	1			228040-UR*	Cable Leads 4.5m (15ft)	1
3.	T-11769	T-11769	Connector Tube HPR with O-Rings	1			228043-UR*	Cable Leads 7.5m (25ft)	1
3a.	N-10055	1-009S	O-Ring	1			228065-UR*	Cable Leads 10m (35ft)	1
4.	T-10492	220232	Mounting Tube	1			228245-UR*	Cable Leads 15m (50ft)	1
5.	T-11614+	128986-UR+	Cable Leads 2m (6ft)	1			228066-UR*	Cable Leads 20m (65ft)	1
	KT-1397+	128935-UR+	Cable Leads 3m (10ft)	1	##6.	T-11409##	220573	Receptacle Q.D., Bevel	1
	T-11615+	128934-UR+	Cable Leads 4.5m (15ft)	1	##6a.	T-11410##	220546	Torch mounting sleeve, Bevel	1

# MUST BE USED ONLY AS A SET OF ITEMS 3 AND 4, THIS COMPLETE SET IS INTERCHANGEABLE AND COMPATIBLE WITH ORIGINAL PARTS

## RECEPTACLE Q.D., BEVEL POS. 8 IS NOT COMPATIBLE WITH STANDARD CABLE LEADS POS. 7

NS NOT SHOWN IN THE PICTURE

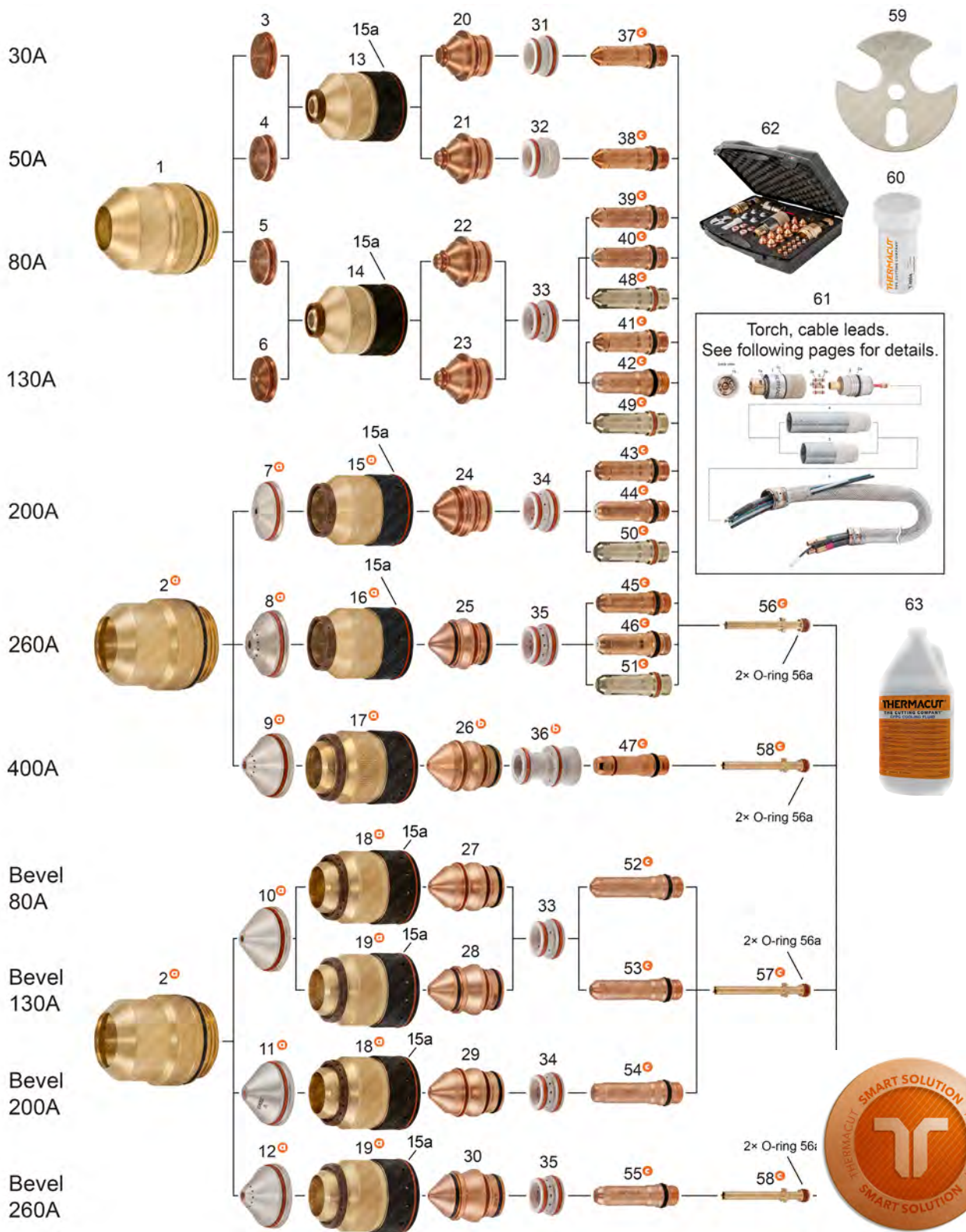
Q.D. QUICK DISCONNECT

ALL PARTS ARE WITH O-RINGS

THERMACUT®, FHT-EX® AND EX-TRAFIRE® ARE REGISTERED TRADEMARKS OF THERMACUT, K. S. AND MAY BE REGISTERED IN CZECH REPUBLIC AND/OR OTHER COUNTRIES. ALL OTHER TRADEMARKS ARE PROPERTIES OF THEIR RESPECTIVE OWNERS. THERMACUT IS NO WAY AFFILIATED WITH HYPERTHERM®. MOST THERMACUT PARTS ARE MADE FOR OR BY AN IBG COMPANY. PARTS INDICATED WITH A OEM ARE ORIGINAL PARTS MANUFACTURED BY THE ABOVE NAMED MANUFACTURER AND ARE BEING RESOLD BY THERMACUT. THERMACUT RESERVES THE RIGHT TO SUBSTITUTE OEM PARTS IN PLACE OF THERMACUT PARTS. VALID FROM JULY 2017 • PREVIOUS VERSION IS NO LONGER VALID. • © COPYRIGHT 2017 BY THERMACUT® CZECH REPUBLIC. ALL RIGHTS RESERVED.

# REPLACEMENT PARTS SUITABLE FOR HYPERTHERM<sup>®</sup>

HyPerformance<sup>®</sup> Plasma | HPR<sup>®</sup>130XD/HPR<sup>®</sup>260XD/HPR<sup>®</sup>400XD mild steel



THERMACUT<sup>®</sup>, FHT-EX<sup>®</sup> AND EX-TRAFIRE<sup>®</sup> ARE REGISTERED TRADEMARKS OF THERMACUT, K. S. AND MAY BE REGISTERED IN CZECH REPUBLIC AND/OR OTHER COUNTRIES. ALL OTHER TRADEMARKS ARE PROPERTIES OF THEIR RESPECTIVE OWNERS. THERMACUT IS IN NO WAY AFFILIATED WITH HYPERTHERM<sup>®</sup>. MOST THERMACUT PARTS ARE MADE FOR OR BY AN IBG COMPANY. PARTS INDICATED WITH A OEM ARE ORIGINAL PARTS MANUFACTURED BY THE ABOVE NAMED MANUFACTURER AND ARE BEING RESOLD BY THERMACUT. THERMACUT RESERVES THE RIGHT TO SUBSTITUTE OEM PARTS IN PLACE OF THERMACUT PARTS. VALID FROM JULY 2017 • PREVIOUS VERSION IS NO LONGER VALID. © COPYRIGHT 2017 BY THERMACUT<sup>®</sup> CZECH REPUBLIC. ALL RIGHTS RESERVED.



# REPLACEMENT PARTS SUITABLE FOR HYPERTHERM®



PRODUCT BROCHURE WITH DETAILS AT  
[WWW.THERMACUT.COM](http://WWW.THERMACUT.COM)

VIDEO AVAILABLE AT YOUTUBE CHANNEL ▶

## HyPerformance® Plasma

### HPR®130XD/HPR®260XD/HPR®400XD mild steel

Item	Part No.	Ref. No.	Description	Std. Pkg.	Item	Part No.	Ref. No.	Description	Std. Pkg.
1.	T-11271	220747	Shield Cap 30-130A	1	32.	T-10305	220553	Swirl Ring 50A	1
ⓐ 2.	T-11270	220637-UR	Shield Cap 200-400A	1	33.	T-10295	220179	Swirl Ring 80/130A (80/130A, Bevel)	1
3.	T-10878	220194	Shield 30A	10	34.	T-10296	220353	Swirl Ring 200A	1
4.	T-10882	220555	Shield 50A	10	35.	T-10271	220436	Swirl Ring 260A (260A, Bevel)	1
5.	T-9838	220189	Shield 80A	10	ⓑ 36.	T-12267	220631-UR	Swirl Ring 400A (400A, Bevel)	1
6.	T-9839	220183	Shield 130A	10	ⓐ 37.	T-9894	220192-UR	Electrode 30A	5
ⓐ 7.	T-11276	220761-UR	Shield 200A	1	ⓐ 38.	T-10306	220552-UR	Electrode 50A	5
ⓐ 8.	T-11277	220764-UR	Shield 260A	1	ⓐ 39.	T-9895	220187-UR	Electrode 80A	5
ⓐ 9.	T-12272	220636-UR	Shield 400A	1	ⓐ 40.	T-12064	220187-PRO	Electrode, Silver PRO 80A(=420566)	5
ⓐ 10.	T-11403	220742-UR	Shield 80/130A, Bevel	1	ⓐ 41.	T-9920	220181-UR	Electrode 130A	5
ⓐ 11.	T-11424	220658-UR	Shield 200A, Bevel	1	ⓐ 42.	T-11203	220181-PRO	Electrode, Silver PRO 130A(=220665-PRO)	5
ⓐ 12.	T-11402	220741-UR	Shield 260A, Bevel	1	ⓐ 43.	T-9969	220352-UR	Electrode 200A	5
13.	T-11272	220754	Inner Retaining Cap 30/50A	1	ⓐ 44.	T-11200	220352-PRO	Electrode, Silver PRO 200A(=220666-PRO)	5
14.	T-11273	220756	Inner Retaining Cap 80/130A	1	ⓐ 45.	T-9974	220435-UR	Electrode 260A	5
ⓐ 15.	T-11274	220757-UR	Inner Retaining Cap 200A	1	ⓐ 46.	T-11197	220435-PRO	Electrode, Silver PRO 260A(=220668-PRO)	5
15a.	N-20194		O-Ring	1	ⓐ 47.	T-12269	220629-UR	Electrode 400A (400A, Bevel)	5
ⓐ 16.	T-11275	220760-UR	Inner Retaining Cap 260A	1	ⓐ 48.	T-4927	220187-AG	Electrode, SilverEX® 80A	5
ⓐ 17.	T-12271	220635-UR	Inner Retaining Cap 400A	1	ⓐ 49.	T-4917	220181-AG	Electrode, SilverEX® 130A	5
ⓐ 18.	T-11833	220845-UR	Inner Retaining Cap 80/200A, Bevel	1	ⓐ 50.	T-4925	220352-AG	Electrode, SilverEX® 200A	5
ⓐ 19.	T-11401	220740-UR	Inner Retaining Cap 130/260A, Bevel	1	ⓐ 51.	T-4926	220435-AG	Electrode, SilverEX® 260A	5
20.	T-10936	220193	Nozzle 30A	1	ⓐ 52.	T-11831	220802-UR	Electrode 80A, Bevel	5
21.	T-10940	220554	Nozzle 50A	1	ⓐ 53.	T-10309	220649-UR	Electrode 130A, Bevel	5
22.	T-10935	220188	Nozzle 80A	1	ⓐ 54.	T-11426	220662-UR	Electrode 200A, Bevel	5
23.	T-10934	220182	Nozzle 130A	1	ⓐ 55.	T-10307	220541-UR	Electrode 260A, Bevel	5
24.	T-10937	220354	Nozzle 200A	1	ⓐ 56.	T-9882	220340-UR	Cooling Tube 30-260A	1
25.	T-10938	220439-US	Nozzle 260A	1	56a.	T-13016	026009	O-Ring	1
ⓐ 26.	T-12270	220632-UR	Nozzle 400A (400A, Bevel)	1	ⓐ 57.	T-10472	220700-UR	Cooling Tube 80-130A, Bevel	1
27.	T-11832	220806	Nozzle 80A, Bevel	1	ⓐ 58.	T-10323	220571-UR	Cooling Tube 400A (260-400A, Bevel)(400-600A, SS, Al)	1
28.	T-10941	220646	Nozzle 130A, Bevel	1	*59.	TN-0069*	104119-UR	Consumables Removal Tool	1
29.	T-11425	220659	Nozzle 200A, Bevel	1	60.	T-0994	EX-0-805-001	Silicone Lubricant 25ml	1
30.	T-10308	220542-UR	Nozzle 260A, Bevel	1	61.	Torch, cable leads. See following pages for details.			
	T-10939	220542	Nozzle 260A, Bevel	1	62.	Consumable Case. Details on Accessories page.			
31.	T-10297	220180	Swirl Ring 30A	1	63.	Coolant Liquid. Details on Accessories page.			

\* FULLY INTERCHANGEABLE AND COMPATIBLE WITH ORIGINAL PARTS, BUT DIFFERS FROM ORIGINAL DESIGN

# THERMACUT ELECTRODES HAS TO BE USED WITH THERMACUT DESIGN COOLING TUBE, OTHERWISE IT DOESN'T FIT TO THE TORCH, THERMACUT COOLING TUBE CAN BE USED FOR THERMACUT DESIGN ELECTRODES AND FOR ORIGINAL DESIGN TOO

ⓐ MUST BE USED ONLY AS A SET OF SHIELD, SHIELD CAP AND INNER RETAINING CAP, THIS COMPLETE SET IS INTERCHANGEABLE AND COMPATIBLE WITH ORIGINAL PARTS

ⓑ MUST BE USED ONLY AS A SET OF SWIRL RING AND NOZZLE; THIS COMPLETE SET IS INTERCHANGEABLE & COMPATIBLE WITH ORIGINAL PARTS

OEM ORIGINAL PARTS

-PRO SILVER PRO TECHNOLOGY INCREASES ELECTRODE LIFETIME SIGNIFICANTLY COMPARED TO STANDARD COPPER ELECTRODES

SMART SOLUTION - DESIGN IMPROVEMENTS THAT BRINGS ADDED VALUE SUCH AS IMPROVED LIFETIME OF CONSUMABLES, EXCELLENT CUT QUALITY, SPEED OR BETTER COST EFFECTIVENESS OF YOUR SYSTEM

THERMACUT®, FHT-EX® AND EX-TRAFIRE® ARE REGISTERED TRADEMARKS OF THERMACUT, K. S. AND MAY BE REGISTERED IN CZECH REPUBLIC AND/OR OTHER COUNTRIES. ALL OTHER TRADEMARKS ARE PROPERTIES OF THEIR RESPECTIVE OWNERS. THERMACUT IS NO WAY AFFILIATED WITH HYPERTHERM®.

MOST THERMACUT PARTS ARE MADE FOR OR BY AN IBG COMPANY. PARTS INDICATED WITH A OEM ARE ORIGINAL PARTS MANUFACTURED BY THE ABOVE NAMED MANUFACTURER AND ARE BEING RESOLD BY THERMACUT. THERMACUT RESERVES THE RIGHT TO SUBSTITUTE OEM PARTS IN PLACE OF THERMACUT PARTS.

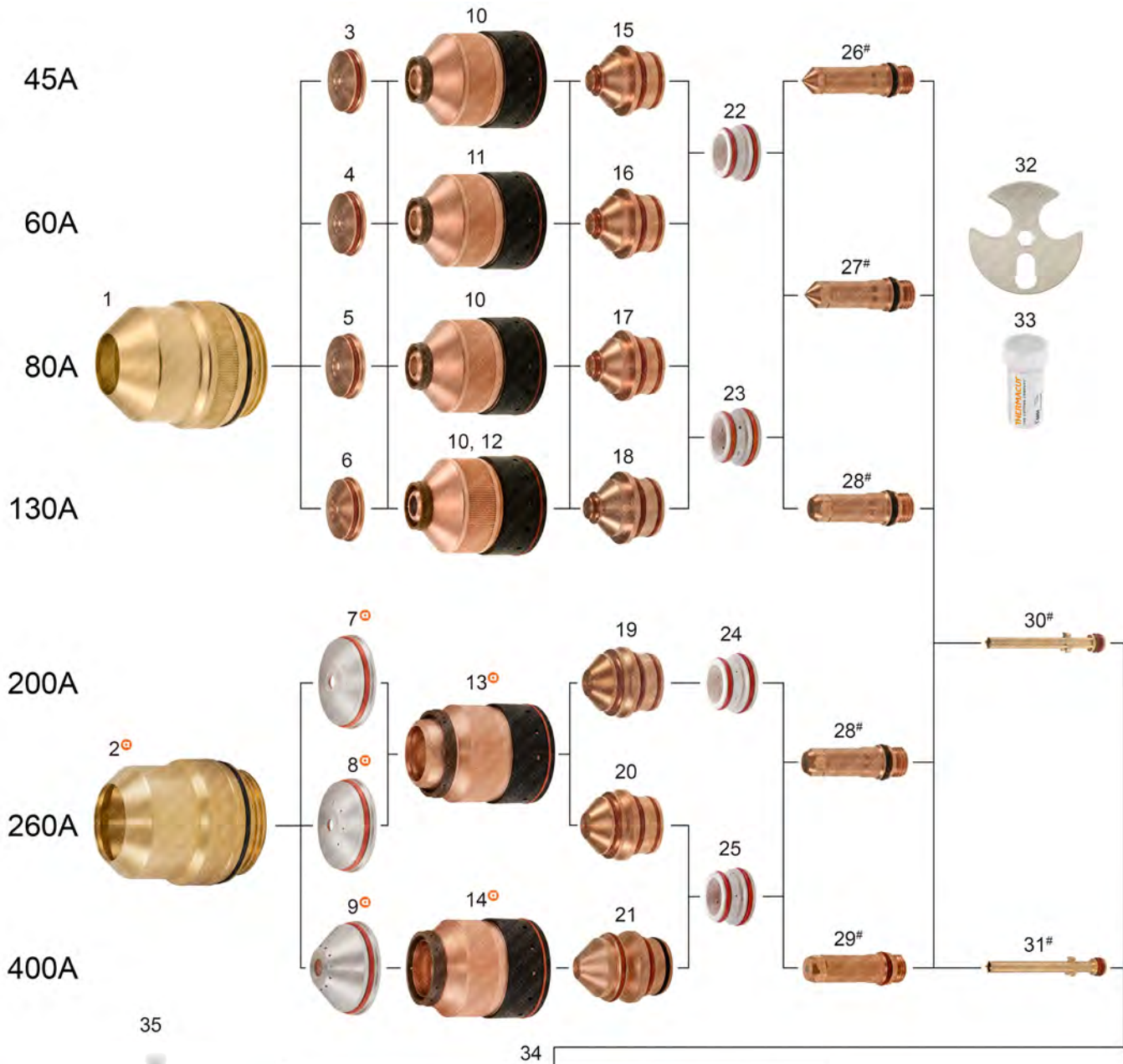
VALID FROM JULY 2017 • PREVIOUS VERSION IS NO LONGER VALID. • © COPYRIGHT 2017 BY THERMACUT® CZECH REPUBLIC. ALL RIGHTS RESERVED.



# REPLACEMENT PARTS SUITABLE FOR HYPERTHERM®

HyPerformance® Plasma

HPR®130XD/HPR®260XD/HPR®400XD stainless steel



Torch, cable leads.  
See following pages for details.



THERMACUT®, FHT-EX® AND EX-TRAFIRE® ARE REGISTERED TRADEMARKS OF THERMACUT, K. S. AND MAY BE REGISTERED IN CZECH REPUBLIC AND/OR OTHER COUNTRIES. ALL OTHER TRADEMARKS ARE PROPERTIES OF THEIR RESPECTIVE OWNERS. THERMACUT IS NO WAY AFFILIATED WITH HYPERTHERM®. MOST THERMACUT PARTS ARE MADE FOR OR BY AN IBG COMPANY. PARTS INDICATED WITH A OEM ARE ORIGINAL PARTS MANUFACTURED BY THE ABOVE NAMED MANUFACTURER AND ARE BEING RESOLD BY THERMACUT. THERMACUT RESERVES THE RIGHT TO SUBSTITUTE OEM PARTS IN PLACE OF THERMACUT PARTS. VALID FROM JULY 2017 • PREVIOUS VERSION IS NO LONGER VALID. • © COPYRIGHT 2017 BY THERMACUT® CZECH REPUBLIC. ALL RIGHTS RESERVED.

# REPLACEMENT PARTS SUITABLE FOR HYPER THERM®



PRODUCT BROCHURE WITH DETAILS AT  
[WWW.THERMACUT.COM](http://WWW.THERMACUT.COM)

VIDEO AVAILABLE AT YOUTUBE CHANNEL ▶



HyPerformance® Plasma

HPR® 130XD/HPR® 260XD/HPR® 400XD stainless steel

Item	Part No.	Ref. No.	Description	Std. Pkg.	Item	Part No.	Ref. No.	Description	Std. Pkg.
⊕ 1.	T-11271	⊕ 220747	Shield Cap 45-130A	1	19.	T-9987	220343	Nozzle 200A	1
2.	T-11270	220637-UR	Shield Cap 200-400A	1	20.	T-9990	220406	Nozzle 260A	1
3.	T-9975	220202	Shield 45A	1	21.	T-11960	220708	Nozzle 400A (400A Bevel)	1
4.	T-11954	220815	Shield 60A	1	22.	T-10297	220180	Swirl Ring 45A	1
5.	T-9979	220338	Shield 80A	1	23.	T-10295	220179	Swirl Ring 80/130A (130A Bevel)	1
⊕ 6.	T-9982	⊕ 220198	Shield 130A	1	24.	T-10579	220342	Swirl Ring 200A	1
⊕ 7.	T-11956	⊕ 220762-UR	Shield 200A	1	25.	T-10596	220405	Swirl Ring 260/400A (260/400A Bevel)	1
⊕ 8.	T-11957	⊕ 220763-UR	Shield 260A	1	#26.	T-9978#	220308-UR	Electrode 45A	5
9.	T-11958	220707-UR	Shield 400A (400A Bevel)	1	#27.	T-9981#	220339-UR	Electrode 60/80A	5
10.	T-11953	220755	Inner Retaining Cap 45/80/130A	1	#28.	T-9984#	220307-UR	Electrode 130/200/260A	5
11.	T-11951	220814	Inner Retaining Cap 60A	1	#29.	T-11950#	220709-UR	Electrode 400A (400A Bevel)	5
⊕ 12.	T-11273	⊕ 220756	Inner Retaining Cap 130A (N <sub>2</sub> )	1	#30.	T-9882#	220340-UR	Cooling Tube 30-260A	1
⊕ 13.	T-11955	⊕ 220758-UR	Inner Retaining Cap 200/260A	1	#31.	T-10323#	220571-UR	Cooling Tube 400A (260-400A, Bevel)(400-600A, SS, Al)(SS, Al)	1
14.	T-11959	220712-UR	Inner Retaining Cap 400A (400A Bevel)	1	*32.	TN-0069*	104119-UR	Consumables Removal Tool	1
15.	T-9977	220201	Nozzle 45A	1	33.	T-0994	T-0994	Silicone Lubricant 25ml	1
16.	T-11952	220847	Nozzle 60A	1	34.	Torch, cable leads. See following pages for details.			
17.	T-9980	220337	Nozzle 80A	1	35.	Coolant Liquid. Details on Accessories page.			
18.	T-9983	220197	Nozzle 130A	1					

\* FULLY INTERCHANGEABLE AND COMPATIBLE WITH ORIGINAL PARTS, BUT DIFFERS FROM ORIGINAL DESIGN

# THERMACUT ELECTRODES MUST BE USED WITH THERMACUT COOLING TUBE, OTHERWISE IT WILL NOT FIT THE TORCH.

THERMACUT COOLING TUBE MAY BE USED WITH THERMACUT OR OEM ELECTRODES.

⊕ MUST BE USED ONLY AS A SET OF SHIELD, SHIELD CAP AND INNER RETAINING CAP, THIS COMPLETE SET IS INTERCHANGEABLE AND COMPATIBLE WITH ORIGINAL PARTS

SMART SOLUTION - DESIGN IMPROVEMENTS THAT BRINGS ADDED VALUE SUCH AS IMPROVED LIFETIME OF CONSUMABLES, EXCELLENT CUT QUALITY, SPEED OR BETTER COST EFFECTIVENESS OF YOUR SYSTEM

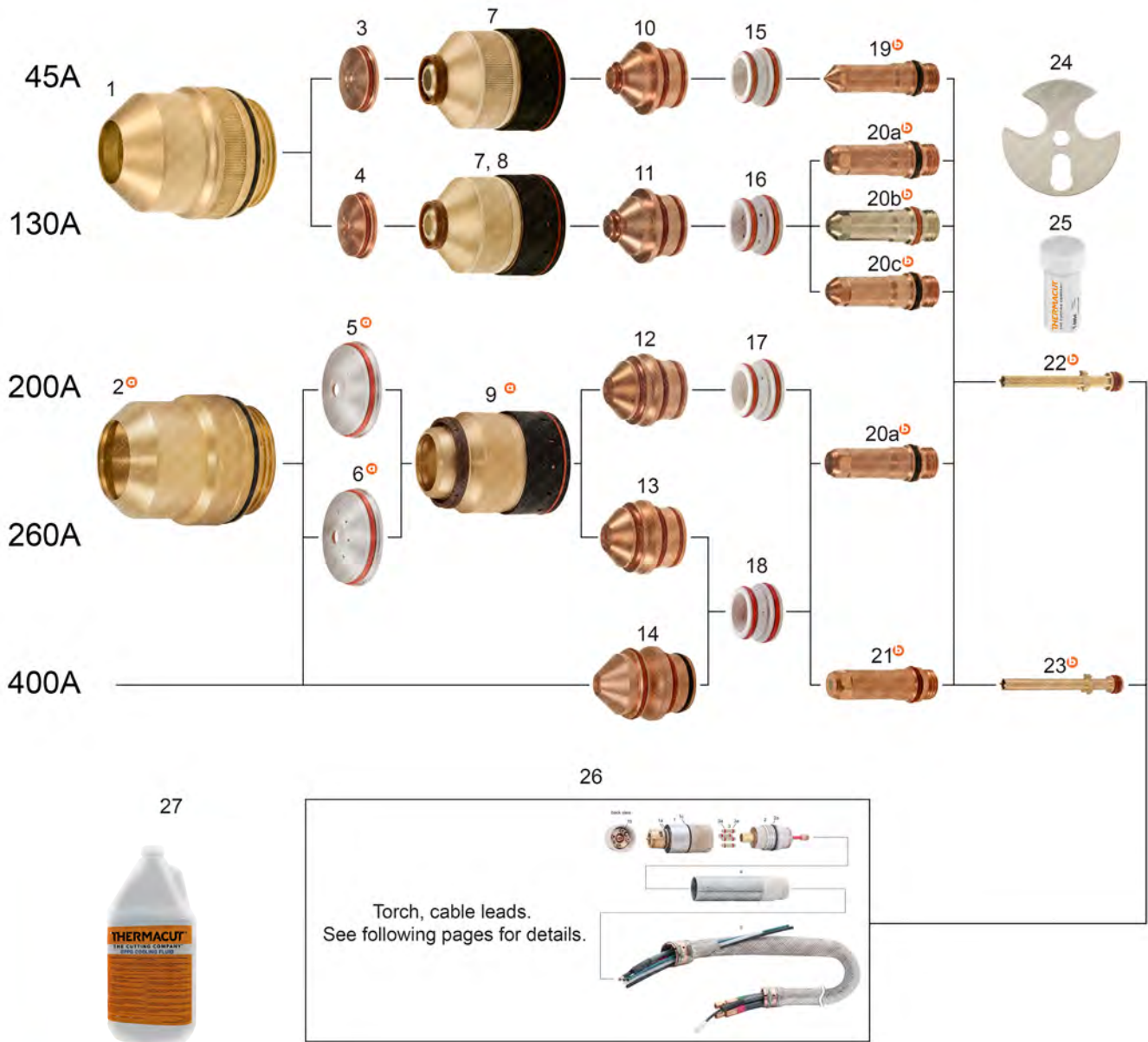
THERMACUT®, FHT-EX® AND EX-TRAFIRE® ARE REGISTERED TRADEMARKS OF THERMACUT, K. S. AND MAY BE REGISTERED IN CZECH REPUBLIC AND/OR OTHER COUNTRIES. ALL OTHER TRADEMARKS ARE PROPERTIES OF THEIR RESPECTIVE OWNERS. THERMACUT IS NO WAY AFFILIATED WITH HYPER THERM®.

MOST THERMACUT PARTS ARE MADE FOR OR BY AN IBG COMPANY. PARTS INDICATED WITH A OEM ARE ORIGINAL PARTS MANUFACTURED BY THE ABOVE NAMED MANUFACTURER AND ARE BEING RESOLD BY THERMACUT. THERMACUT RESERVES THE RIGHT TO SUBSTITUTE OEM PARTS IN PLACE OF THERMACUT PARTS.

VALID FROM JULY 2017 • PREVIOUS VERSION IS NO LONGER VALID. • © COPYRIGHT 2017 BY THERMACUT® CZECH REPUBLIC. ALL RIGHTS RESERVED.

# REPLACEMENT PARTS SUITABLE FOR HYPERTHERM®

HyPerformance® Plasma  
HPR®130XD/HPR®260XD/HPR®400XD aluminum



THERMACUT®, FHT-EX® AND EX-TRAFIRE® ARE REGISTERED TRADEMARKS OF THERMACUT, K. S. AND MAY BE REGISTERED IN CZECH REPUBLIC AND/OR OTHER COUNTRIES. ALL OTHER TRADEMARKS ARE PROPERTIES OF THEIR RESPECTIVE OWNERS. THERMACUT IS NO WAY AFFILIATED WITH HYPERTHERM®. MOST THERMACUT PARTS ARE MADE FOR OR BY AN IBG COMPANY. PARTS INDICATED WITH A OEM ARE ORIGINAL PARTS MANUFACTURED BY THE ABOVE NAMED MANUFACTURER AND ARE BEING RESOLD BY THERMACUT. THERMACUT RESERVES THE RIGHT TO SUBSTITUTE OEM PARTS IN PLACE OF THERMACUT PARTS. VALID FROM JULY 2017 • PREVIOUS VERSION IS NO LONGER VALID. • © COPYRIGHT 2017 BY THERMACUT® CZECH REPUBLIC. ALL RIGHTS RESERVED.

# REPLACEMENT PARTS SUITABLE FOR HYPERTHERM®



PRODUCT BROCHURE WITH DETAILS AT  
[WWW.THERMACUT.COM](http://WWW.THERMACUT.COM)

VIDEO AVAILABLE AT YOUTUBE CHANNEL ▶



HyPerformance® Plasma

HPR®130XD/HPR®260XD/HPR®400XD aluminum

Item	Part No.	Ref. No.	Description	Std. Pkg.	Item	Part No.	Ref. No.	Description	Std. Pkg.
1.	T-11271	220747	Shield Cap 45-130A	1	16.	T-10295	220179	Swirl Ring 130A	1
ⓐ2.	T-11270	ⓐ220637-UR	Shield Cap 200A	1	17.	T-10579	220342	Swirl Ring 200A	1
3.	T-9975	220202	Shield 45A	10	18.	T-10596	220405	Swirl Ring 260/400A	1
4.	T-9982	220198	Shield 130A	10	ⓑ9.	T-9978	ⓑ220308-UR	Electrode 45A	5
ⓐ5.	T-11956	ⓐ220762-UR	Shield 200A	1	ⓑ0.c	T-9920	ⓑ220181-UR	Electrode 130A (Air)	5
ⓐ6.	T-11957	ⓐ220763-UR	Shield 260A	1	ⓑ0.b	T-4917	ⓑ220181-AG	Electrode, SilverEX® 130A (Air)	5
7.	T-11273	220756	Inner Retaining Cap 45/130A	1	ⓑ0.a	T-9984	ⓑ220307-UR	Electrode 130/200/260A	5
8.	T-11953	220755	Inner Retaining Cap 45/130A	1	ⓑ1.	T-11950	ⓑ220709-UR	Electrode 400-600A (Bevel)	5
ⓐ9.	T-11955	ⓐ220758-UR	Inner Retaining Cap 200/260A	1	ⓑ2.	T-9882	ⓑ220340-UR	Cooling Tube 30-260A	1
10.	T-9977	220201	Nozzle 45A	1	ⓑ3.	T-10323	ⓑ220571-UR	Cooling Tube 400A (260-400A, Bevel)(400-600A, SS, Al)	1
11.	T-9983	220197	Nozzle 130A	5	*24.	TN-0069*	104119-UR	Consumables Removal Tool	1
12.	T-9987	220343	Nozzle 200A	1	25.	T-0994	EX-0-805-001	Silicone Lubricant 25ml	1
13.	T-9990	220406	Nozzle 260A	1	26.	Torch, cable leads. See following pages for details.			
14.	T-11960	220708	Nozzle 400A (400A, Bevel)	1	27.	Coolant Liquid. Details on Accessories page.			
15.	T-10297	220180	Swirl Ring 45A	1					

\* FULLY INTERCHANGEABLE AND COMPATIBLE WITH ORIGINAL PARTS, BUT DIFFERS FROM ORIGINAL DESIGN

# THERMACUT ELECTRODES MUST BE USED WITH THERMACUT COOLING TUBE, OTHERWISE IT WILL NOT FIT THE TORCH. THERMACUT COOLING TUBE MAY BE USED WITH THERMACUT OR OEM ELECTRODES.

ⓐ MUST BE USED ONLY AS A SET OF SHIELD, SHIELD CAP AND INNER RETAINING CAP, THIS COMPLETE SET IS INTERCHANGEABLE AND COMPATIBLE WITH ORIGINAL PARTS

OEM ORIGINAL PARTS

SMART SOLUTION - DESIGN IMPROVEMENTS THAT BRINGS ADDED VALUE SUCH AS IMPROVED LIFETIME OF CONSUMABLES, EXCELLENT CUT QUALITY, SPEED OR BETTER COST EFFECTIVENESS OF YOUR SYSTEM

THERMACUT®, FHT-EX® AND EX-TRAFIRE® ARE REGISTERED TRADEMARKS OF THERMACUT, K. S. AND MAY BE REGISTERED IN CZECH REPUBLIC AND/OR OTHER COUNTRIES. ALL OTHER TRADEMARKS ARE PROPERTIES OF THEIR RESPECTIVE OWNERS. THERMACUT IS NO WAY AFFILIATED WITH HYPERTHERM®.

MOST THERMACUT PARTS ARE MADE FOR OR BY AN IBG COMPANY. PARTS INDICATED WITH A OEM ARE ORIGINAL PARTS MANUFACTURED BY THE ABOVE NAMED MANUFACTURER AND ARE BEING RESOLD BY THERMACUT. THERMACUT RESERVES THE RIGHT TO SUBSTITUTE OEM PARTS IN PLACE OF THERMACUT PARTS.

VALID FROM JULY 2017 • PREVIOUS VERSION IS NO LONGER VALID. • © COPYRIGHT 2017 BY THERMACUT® CZECH REPUBLIC. ALL RIGHTS RESERVED.

**THERMACUT®**  
THE CUTTING COMPANY

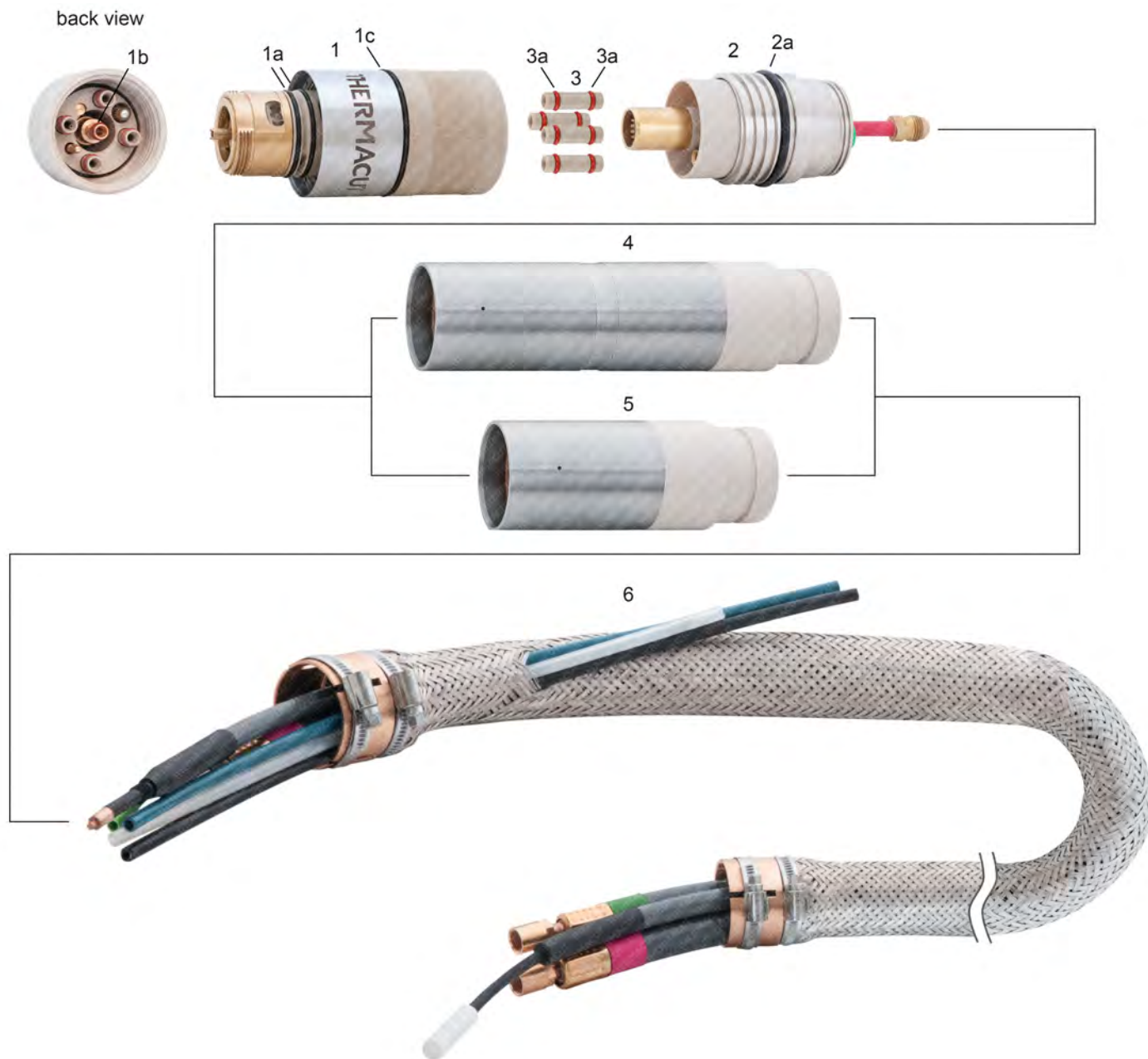
THERMACUT, INC  
153 CHARLESTOWN ROAD  
CLAREMONT, NH 03743

[WWW.THERMACUT.COM](http://WWW.THERMACUT.COM)  
(800) 932-8312 TEL  
(800) 972-6255 FAX



# REPLACEMENT PARTS SUITABLE FOR HYPERTHERM®

HPR®130XD/HPR®260XD/HPR®400XD | Torches and Cable leads



THERMACUT®, FHT-EX® AND EX-TRAFIRE® ARE REGISTERED TRADEMARKS OF THERMACUT, K. S. AND MAY BE REGISTERED IN CZECH REPUBLIC AND/OR OTHER COUNTRIES. ALL OTHER TRADEMARKS ARE PROPERTIES OF THEIR RESPECTIVE OWNERS. THERMACUT IS NO WAY AFFILIATED WITH HYPERTHERM®. MOST THERMACUT PARTS ARE MADE FOR OR BY AN IBG COMPANY. PARTS INDICATED WITH A OEM ARE ORIGINAL PARTS MANUFACTURED BY THE ABOVE NAMED MANUFACTURER AND ARE BEING RESOLD BY THERMACUT. THERMACUT RESERVES THE RIGHT TO SUBSTITUTE OEM PARTS IN PLACE OF THERMACUT PARTS. VALID FROM JULY 2017 • PREVIOUS VERSION IS NO LONGER VALID. • © COPYRIGHT 2017 BY THERMACUT® CZECH REPUBLIC. ALL RIGHTS RESERVED.

# REPLACEMENT PARTS SUITABLE FOR HYPERTHERM®

HPR®130XD/HPR®260XD/HPR®400XD

Torches and Cable Leads

Item	Part No.	Ref. No.	Description	Std. Pkg.	Item	Part No.	Ref. No.	Description	Std. Pkg.
1.	T-11834	220706	Torch Q. D. (included 2pcs cooling tube 220340-UR)	1	!	KT-1441	228413	Cable Leads 6m (20ft) w/ gas hose 2,4m (8ft)	1
1a.	N-10096	1-028B	O-Ring	1	!	KT-1427	228295	Cable Leads 7,5m (25ft) w/ gas hose 1,8m (6ft)	1
1b.	N-10054	1-008S	O-Ring	1	!	KT-1442	228414	Cable Leads 7,5m (25ft) w/ gas hose 2,4m (8ft)	1
1c.	N-18157	N-18157	Conical Sealing	1	!	KT-1428	228296	Cable Leads 10m (35ft) w/ gas hose 1,8m (6ft)	1
2.	T-11844	220705	Receptacle Q. D.	1	!	KT-1437	228415	Cable Leads 10m (35ft) w/ gas hose 2,4m (8ft)	1
2a.	N-18108	O-KR-45x3,5B	O-Ring	1	!	KT-1429	228297	Cable Leads 15m (50ft) w/ gas hose 1,8m (6ft)	1
3.	T-11769	T-11769	Connector Tube HPR with O-Rings	1	!	KT-1436	228416	Cable Leads 15m (50ft) w/ gas hose 2,4m (8ft)	1
3a.	N-10055	1-009S	O-Ring	1	!	KT-1430	228547	Cable Leads 20m (65ft) w/ gas hose 1,8m (6ft)	1
4.	T-11854	220789	Mounting Sleeve XD	1	!	KT-1434	228546	Cable Leads 20m (65ft) w/ gas hose 2,4m (8ft)	1
5.	T-12226	220788	Mounting Sleeve XD – Short	1	!!!	KT-1435	DEMO HPRXD	Torch + cable leads 0,8m, for exhibition only, inoperative!	1
!6.	KT-1423	228291	Cable Leads 2m (6ft) w/ gas hose 1,8m (6ft)	1	NS	KT-1477	K.HPRXD,4,5M.6GAS	Torch with Leads 4,5m (6')	1
!	KT-1440	228410	Cable Leads 2m (6ft) w/ gas hose 2,4m (8ft)	1	More types of cable leads are available on request				
!	KT-1424	228292	Cable Leads 3m (10ft) w/ gas hose 1,8m (6ft)	1	Torch Kit - set of spare parts for 220706, contains items 3 (4 pcs), 3a (8 pcs), 1a (2 pcs), 1b (1 pc), 1c (1 pc), 2a (1 pc), cooling tube 220340-UR, silicone lubricant T-0994				
!	KT-1439	228411	Cable Leads 3m (10ft) w/ gas hose 2,4m (8ft)	1	1a, 1b, 1c, 3, 3a	T-11864	128879		1
!	KT-1425	228293	Cable Leads 4,5m (15ft) w/ gas hose 1,8m (6ft)	1	Torch with leads available on request				
!	KT-1438	228412	Cable Leads 4,5m (15ft) w/ gas hose 2,4m (8ft)	1					
!	KT-1426	228294	Cable Leads 6m (20ft) w/ gas hose 1,8m (6ft)	1					

! OHMIC CONTACT WIRE IS NOT PART OF THE CABLE LEADS

!!! DEMO IS INOPERATIVE, FOR EXHIBITION PURPOSES ONLY!

NS NOT SHOWN IN THE PICTURE

Q.D. QUICK DISCONNECT

ALL PARTS ARE WITH O-RINGS

W/ WITH

THERMACUT®, FHT-EX® AND EX-TRAFIRE® ARE REGISTERED TRADEMARKS OF THERMACUT, K. S. AND MAY BE REGISTERED IN CZECH REPUBLIC AND/OR OTHER COUNTRIES. ALL OTHER TRADEMARKS ARE PROPERTIES OF THEIR RESPECTIVE OWNERS. THERMACUT IS NO WAY AFFILIATED WITH HYPERTHERM®.

MOST THERMACUT PARTS ARE MADE FOR OR BY AN IBG COMPANY. PARTS INDICATED WITH A OEM ARE ORIGINAL PARTS MANUFACTURED BY THE ABOVE NAMED MANUFACTURER AND ARE BEING RESOLD BY THERMACUT. THERMACUT RESERVES THE RIGHT TO SUBSTITUTE OEM PARTS IN PLACE OF THERMACUT PARTS.

VALID FROM JULY 2017 • PREVIOUS VERSION IS NO LONGER VALID. • © COPYRIGHT 2017 BY THERMACUT® CZECH REPUBLIC. ALL RIGHTS RESERVED.

**THERMACUT®**  
THE CUTTING COMPANY

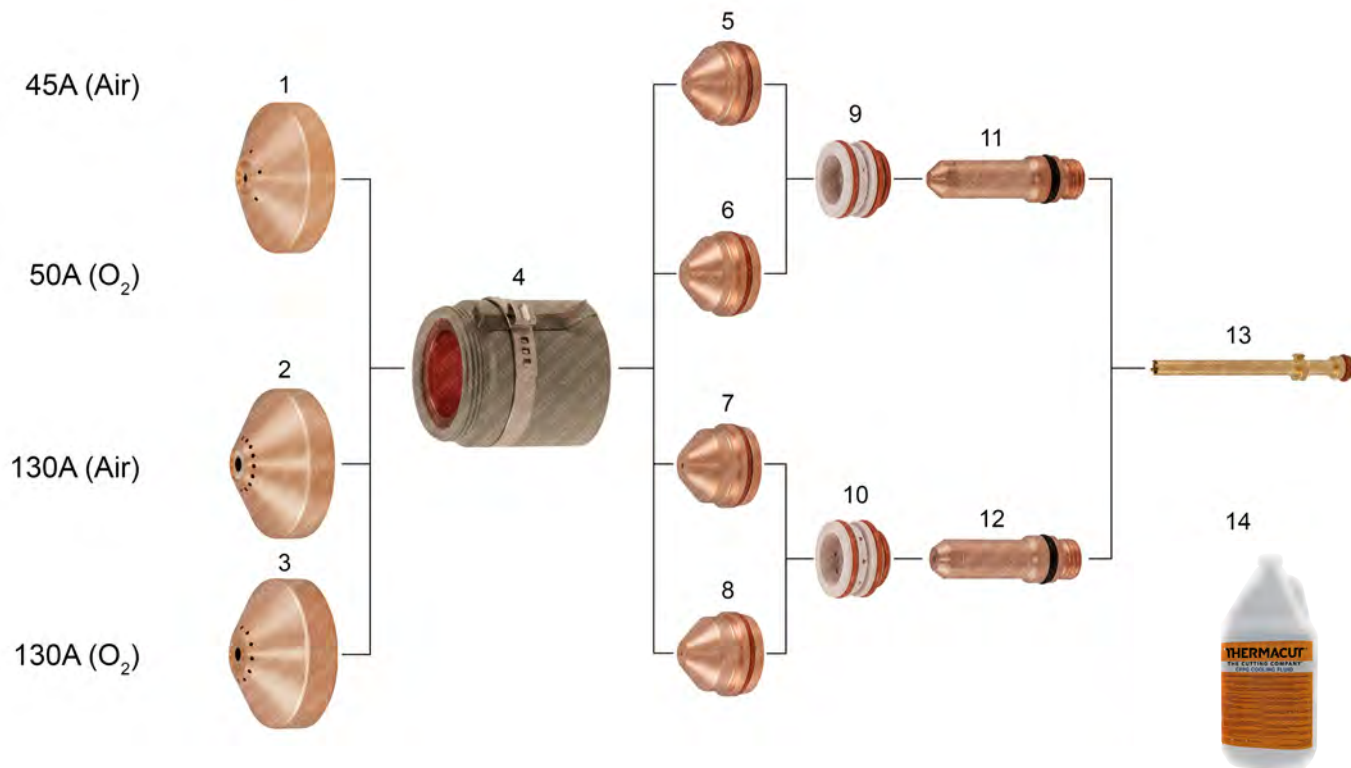
THERMACUT, INC  
153 CHARLESTOWN ROAD  
CLAREMONT, NH 03743

WWW.THERMACUT.COM  
(800) 932-8312 TEL  
(800) 972-6255 FAX

# REPLACEMENT PARTS SUITABLE FOR HYPERTHERM®

HySpeed® Plasma | HSD® 130 mild steel

PRODUCT BROCHURE WITH DETAILS AT  
WWW.THERMACUT.COM



Item	Part No.	Ref. No.	Description	Std. Pkg.	Item	Part No.	Ref. No.	Description	Std. Pkg.
1.	T-11283	220532	Shield 45A Air, 50A O <sub>2</sub>	1	8.	T-11305	220489	Nozzle 130A O <sub>2</sub>	5
2.	T-11284	220536	Shield 130A Air	1	9.	T-11282	220529	Swirl Ring 45A Air, 50A O <sub>2</sub>	1
3.	T-11281	220491	Shield 130A O <sub>2</sub>	1	10.	T-11280	220488	Swirl Ring 130A (200A)	1
*4.	T-11285*	220578-UR	Ret. Cap 45/130A Air, 50/130A O <sub>2</sub> with IHS	1	#11.	T-11309#	220528-UR	Electrode 45A (50A)	5
*NS	T-11347*	220490-UR	Ret. Cap 45/130A Air, 50/130A O <sub>2</sub> without IHS	1	#12.	T-11304#	220487-UR	Electrode 130A Air/O <sub>2</sub>	5
5.	T-11308	220525	Nozzle 45A Air	5	#13.	T-11307#	220521-UR	Cooling Tube	1
6.	T-11311	220530	Nozzle 50A O <sub>2</sub>	5	14.			Coolant Liquid. Details on Accessories page.	
7.	T-11306	220492	Nozzle 130A Air	5					

\* FULLY INTERCHANGEABLE WITH ORIGINAL PARTS, BUT DIFFERS FROM ORIGINAL DESIGN

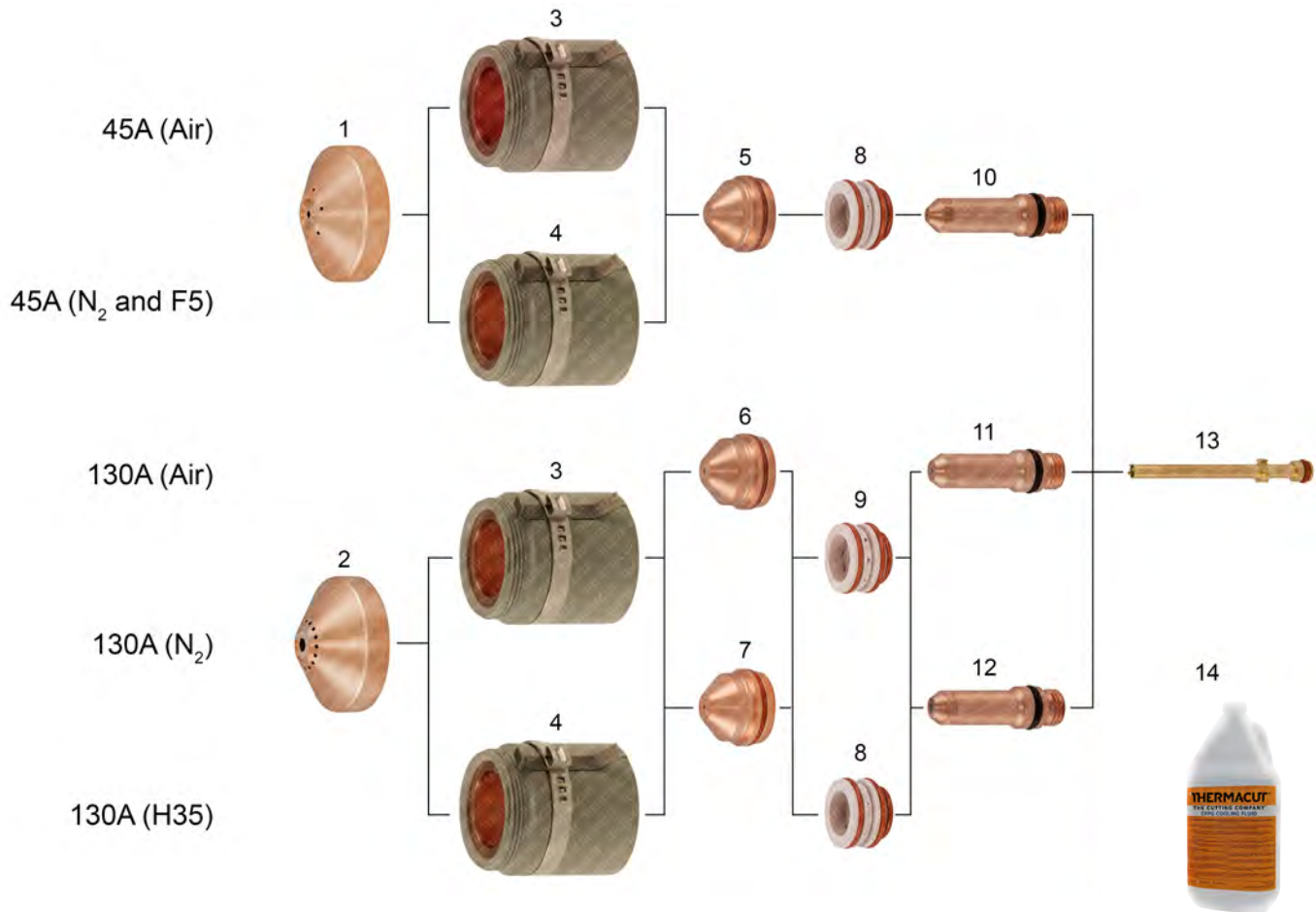
# THERMACUT ELECTRODES HAS TO BE USED WITH THERMACUT DESIGN COOLING TUBE, OTHERWISE IT DOESN'T FIT TO THE TORCH, THERMACUT COOLING TUBE CAN BE USED FOR THERMACUT DESIGN ELECTRODES AND FOR ORIGINAL DESIGN TOO.

THERMACUT®, FHT-EX® AND EX-TRAFIRE® ARE REGISTERED TRADEMARKS OF THERMACUT, K. S. AND MAY BE REGISTERED IN CZECH REPUBLIC AND/OR OTHER COUNTRIES. ALL OTHER TRADEMARKS ARE PROPERTIES OF THEIR RESPECTIVE OWNERS. THERMACUT IS NO WAY AFFILIATED WITH HYPERTHERM®. MOST THERMACUT PARTS ARE MADE FOR OR BY AN IBG COMPANY. PARTS INDICATED WITH A OEM ARE ORIGINAL PARTS MANUFACTURED BY THE ABOVE NAMED MANUFACTURER AND ARE BEING RESOLD BY THERMACUT. THERMACUT RESERVES THE RIGHT TO SUBSTITUTE OEM PARTS IN PLACE OF THERMACUT PARTS. VALID FROM JULY 2017 • PREVIOUS VERSION IS NO LONGER VALID. © COPYRIGHT 2017 BY THERMACUT® CZECH REPUBLIC. ALL RIGHTS RESERVED.

# REPLACEMENT PARTS SUITABLE FOR HYPERTHERM®

HySpeed® Plasma | HSD® 130 stainless steel

PRODUCT BROCHURE WITH DETAILS AT  
WWW.THERMACUT.COM



Item	Part No.	Ref. No.	Description	Std. Pkg.	Item	Part No.	Ref. No.	Description	Std. Pkg.
1.	T-11283	220532	Shield 45A Air/N <sub>2</sub> /F5	1	7.	T-11310	220535	Nozzle 130A H35/N <sub>2</sub>	5
2.	T-11284	220536	Shield 130A Air/H35/N <sub>2</sub>	1	8.	T-11282	220529	Swirl Ring 45A Air/N <sub>2</sub> /F5, 130A H35	1
*3.	T-11285*	220578-UR	Ret. Cap 45A Air, 130A Air/N <sub>2</sub> w/ IHS	1	9.	T-11280	220488	Swirl Ring 130A (200A)	1
*NS T-11347*	220490-UR	Ret. Cap 45A Air, 130A Air/N <sub>2</sub> w/o IHS	1	#10.	T-11309#	220528-UR	Electrode 45A (50A)	5	
*4.	T-11350*	220534-UR	Ret. Cap 45A N <sub>2</sub> /F5, 130A H35 w/ IHS	1	#11.	T-11304#	220487-UR	Electrode 130A Air	5
*NS T-11346*	220533-UR	Ret. Cap 45A N <sub>2</sub> /F5, 130A H35 w/o IHS	1	#12.	T-0382#	020415-UR	Electrode 100-200A	5	
5.	T-11308	220525	Nozzle 45A Air/N <sub>2</sub> /F5	5	#13.	T-11307#	220521-UR	Cooling Tube	1
6.	T-11306	220492	Nozzle 130A Air	5	14.	Coolant Liquid.	Details on Accessories page.		

\* FULLY INTERCHANGEABLE WITH ORIGINAL PARTS, BUT DIFFERS FROM ORIGINAL DESIGN

# THERMACUT ELECTRODES HAS TO BE USED WITH THERMACUT DESIGN COOLING TUBE, OTHERWISE IT DOESN'T FIT TO THE TORCH, THERMACUT COOLING TUBE CAN BE USED FOR THERMACUT DESIGN ELECTRODES AND FOR ORIGINAL DESIGN TOO.

W/ WITH

W/O WITHOUT

THERMACUT®, FHT-EX® AND EX-TRAFIRE® ARE REGISTERED TRADEMARKS OF THERMACUT, K. S. AND MAY BE REGISTERED IN CZECH REPUBLIC AND/OR OTHER COUNTRIES. ALL OTHER TRADEMARKS ARE PROPERTIES OF THEIR RESPECTIVE OWNERS. THERMACUT IS NO WAY AFFILIATED WITH HYPERTHERM®.

MOST THERMACUT PARTS ARE MADE FOR OR BY AN IBG COMPANY. PARTS INDICATED WITH A OEM ARE ORIGINAL PARTS MANUFACTURED BY THE ABOVE NAMED MANUFACTURER AND ARE BEING RESOLD BY THERMACUT. THERMACUT RESERVES THE RIGHT TO SUBSTITUTE OEM PARTS IN PLACE OF THERMACUT PARTS.

VALID FROM JULY 2017 • PREVIOUS VERSION IS NO LONGER VALID. © COPYRIGHT 2017 BY THERMACUT® CZECH REPUBLIC. ALL RIGHTS RESERVED.

**THERMACUT®**  
THE CUTTING COMPANY

THERMACUT, INC  
153 CHARLESTOWN ROAD  
CLAREMONT, NH 03743

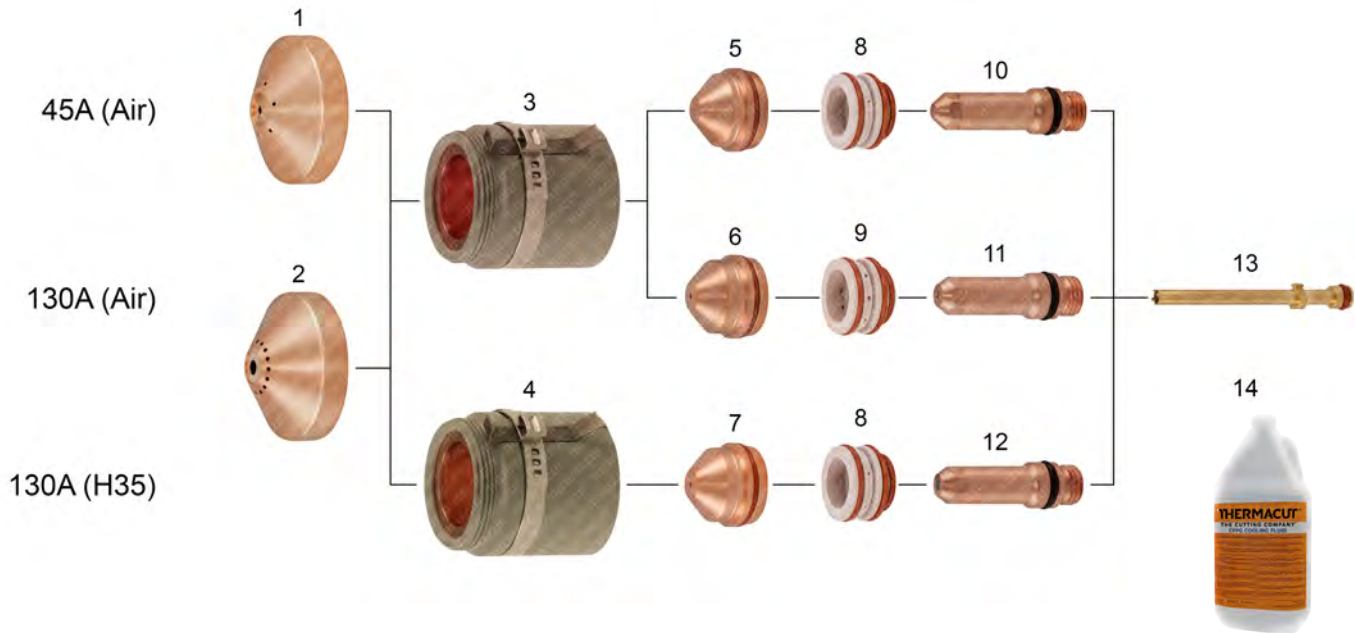
WWW.THERMACUT.COM  
(800) 932-8312 TEL  
(800) 972-6255 FAX



# REPLACEMENT PARTS SUITABLE FOR HYPERTHERM®

HySpeed® Plasma | HSD® 130 aluminum

PRODUCT BROCHURE WITH DETAILS AT  
WWW.THERMACUT.COM



Item	Part No.	Ref. No.	Description	Std. Pkg.	Item	Part No.	Ref. No.	Description	Std. Pkg.
1.	T-11283	220532	Shield 45A Air	1	7.	T-11310	220535	Nozzle 130A H35	5
2.	T-11284	220536	Shield 130A Air/H35	1	8.	T-11282	220529	Swirl Ring 45A Air, 130A H35	1
*3.	T-11285*	220578-UR	Retaining Cap 45/130A Air with IHS	1	9.	T-11280	220488	Swirl Ring 130A (200A)	1
*NS	T-11347*	220490-UR	Retaining Cap 45/130A Air without IHS	1	#10.	T-11309#	220528-UR	Electrode 45A (50A)	5
*4.	T-11350*	220534-UR	Retaining Cap 130A H35 with IHS	1	#11.	T-11304#	220487-UR	Electrode 130A Air	5
*NS	T-11346*	220533-UR	Retaining Cap 130A H35 without IHS	1	#12.	T-0382#	020415-UR	Electrode 100–200A	5
5.	T-11308	220525	Nozzle 45A Air	5	#13.	T-11307#	220521-UR	Cooling Tube	1
6.	T-11306	220492	Nozzle 130A Air	5	14.	Coolant Liquid. Details on Accessories page.			

\* FULLY INTERCHANGEABLE WITH ORIGINAL PARTS, BUT DIFFERS FROM ORIGINAL DESIGN

# THERMACUT ELECTRODES HAS TO BE USED WITH THERMACUT DESIGN COOLING TUBE, OTHERWISE IT DOESN'T FIT TO THE TORCH, THERMACUT COOLING TUBE CAN BE USED FOR THERMACUT DESIGN ELECTRODES AND FOR ORIGINAL DESIGN TOO.

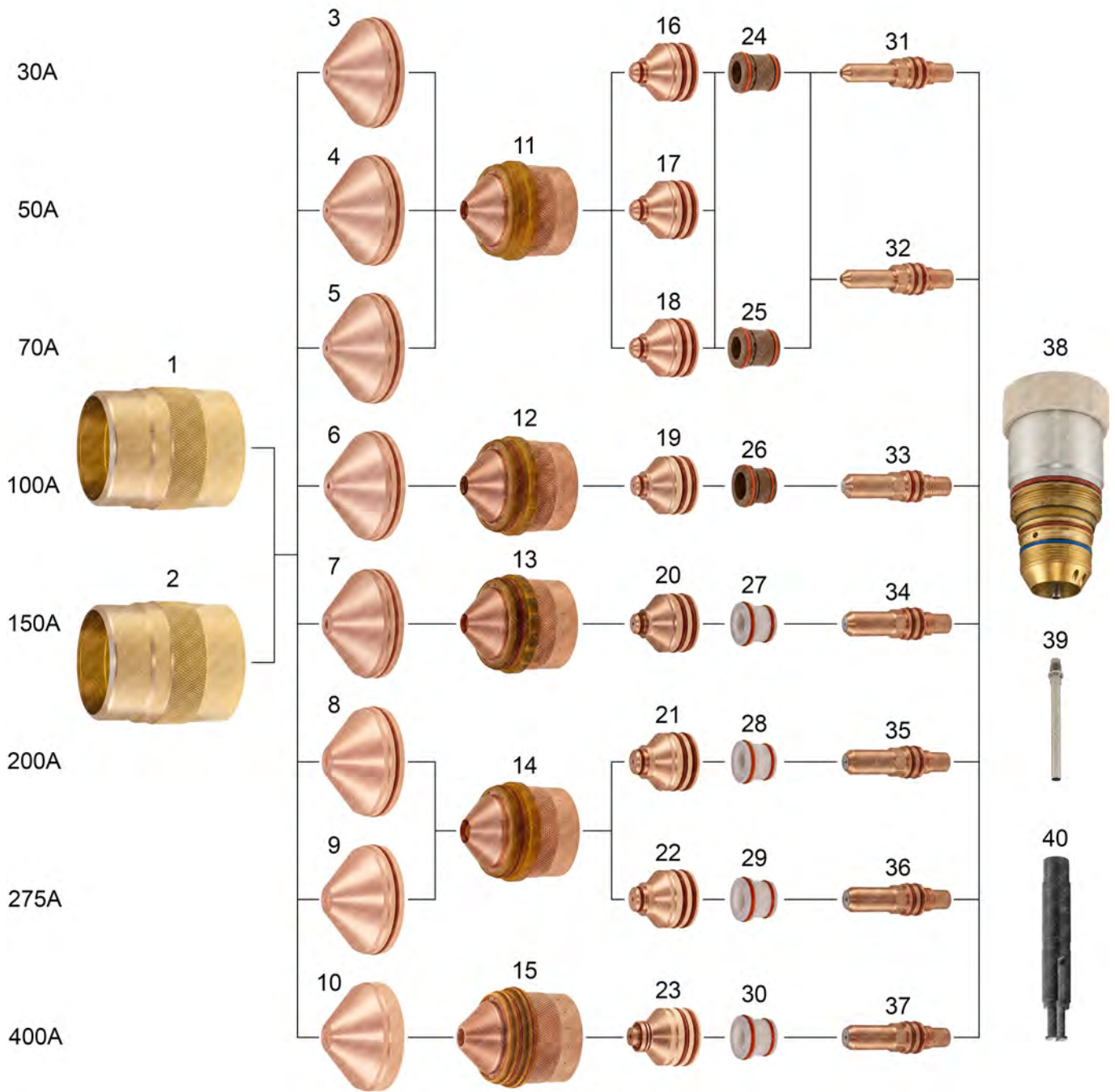
THERMACUT®, FHT-EX® AND EX-TRAFIRE® ARE REGISTERED TRADEMARKS OF THERMACUT, K. S. AND MAY BE REGISTERED IN CZECH REPUBLIC AND/OR OTHER COUNTRIES. ALL OTHER TRADEMARKS ARE PROPERTIES OF THEIR RESPECTIVE OWNERS. THERMACUT IS NO WAY AFFILIATED WITH HYPERTHERM®. MOST THERMACUT PARTS ARE MADE FOR OR BY AN IBG COMPANY. PARTS INDICATED WITH A OEM ARE ORIGINAL PARTS MANUFACTURED BY THE ABOVE NAMED MANUFACTURER AND ARE BEING RESOLD BY THERMACUT. THERMACUT RESERVES THE RIGHT TO SUBSTITUTE OEM PARTS IN PLACE OF THERMACUT PARTS. VALID FROM JULY 2017 • PREVIOUS VERSION IS NO LONGER VALID. • © COPYRIGHT 2017 BY THERMACUT® CZECH REPUBLIC. ALL RIGHTS RESERVED.

- This page intentionally left blank -

# REPLACEMENT PARTS SUITABLE FOR KALIBURN®

SPIRIT®, ProLine™

SPIRIT® 150a, 200a, 275a, 400a, ProLine™ 2150, 2200, 2260 mild steel



THERMACUT®, FHT-EX® AND EX-TRAFIRE® ARE REGISTERED TRADEMARKS OF THERMACUT, K. S. AND MAY BE REGISTERED IN CZECH REPUBLIC AND/OR OTHER COUNTRIES. ALL OTHER TRADEMARKS ARE PROPERTIES OF THEIR RESPECTIVE OWNERS. THERMACUT IS NO WAY AFFILIATED WITH KALIBURN®. MOST THERMACUT PARTS ARE MADE FOR OR BY AN IBG COMPANY. PARTS INDICATED WITH A OEM ARE ORIGINAL PARTS MANUFACTURED BY THE ABOVE NAMED MANUFACTURER AND ARE BEING RESOLD BY THERMACUT. THERMACUT RESERVES THE RIGHT TO SUBSTITUTE OEM PARTS IN PLACE OF THERMACUT PARTS. VALID FROM JULY 2017 • PREVIOUS VERSION IS NO LONGER VALID. • © COPYRIGHT 2017 BY THERMACUT® CZECH REPUBLIC. ALL RIGHTS RESERVED.

# REPLACEMENT PARTS SUITABLE FOR KALIBURN®



PRODUCT BROCHURE WITH DETAILS AT  
[WWW.THERMACUT.COM](http://WWW.THERMACUT.COM)

SPIRIT®, ProLine™

SPIRIT® 150a, 200a, 275a, 400a, ProLine™ 2150, 2200, 2260 mild steel

Item	Part No.	Ref. No.	Description	Std. Pkg.	Item	Part No.	Ref. No.	Description	Std. Pkg.
1.	T-11909	284150	Outer Retaining Cap 30-400A	1	21.	T-11884	277289	Nozzle 200A MS/SS/AL, Air	1
2.	T-11892	277154	Outer Retaining Cap 30-275A	1	22.	T-11888	277269	Nozzle 275A MS	5
3.	T-12034	277145	Shield Cap 30A, MS/AL	1	23.	T-12028	284125	Nozzle 400A MS	5
4.	T-12029	277115	Shield Cap 50A, MS	1	24.	T-12033	277140	Swirl Ring 30-70A MS/SS/AL, H17	1
5.	T-11901	277150	Shield Cap 70A MS/SS/AL	1	25.	T-11894	277142	Swirl Ring 50-70A MS/SS/AL	1
6.	T-11898	277286	Shield Cap 100A MS/SS/AL, Air	1	26.	T-11893	277283	Swirl Ring 100A MS/SS/AL, Air	1
7.	T-11907	277117	Shield Cap 150A MS/SS/AL	1	*27.	T-11897	277139-UR	Swirl Ring 150A MS/SS/AL	1
8.	T-11899	277274	Shield Cap 200A MS/SS/AL	1	*28.	T-11896	277143-UR	Swirl Ring 200A MS/SS/AL	1
9.	T-11900	277263	Shield Cap 275A MS/SS/AL	1	*29.	T-11895	277258-UR	Swirl Ring 275A MS/SS/AL	1
10.	T-12037	284123	Shield Cap 400A MS	1	*30.	T-12036	284122-UR	Swirl Ring 400A MS/SS/AL	1
11.	T-11891	277153	Inner Retaining Cap 30-70A MS/SS/AL	1	31.	T-12032	277130	Electrode 30A MS/AL	5
12.	T-11908	277151	Inner Retaining Cap 100/150A MS/SS/AL	1	32.	T-11906	277131	Electrode 50/70A MS/SS/AL	5
13.	T-11890	277152	Inner Retaining Cap 150A MS/SS/AL	1	33.	T-11902	277282-PRO	Electrode 100A, MS/SS/AL, Silver PRO	5
14.	T-11889	277266	Inner Retaining Cap 200/275A MS/SS/AL	1	34.	T-11904	277292-PRO	Electrode 150A MS/SS/AL, Silver PRO	5
15.	T-12035	284121	Inner Retaining Cap 400A MS	1	35.	T-11903	277291-PRO	Electrode 200A MS/SS/AL, Silver PRO	5
16.	T-12030	277120	Nozzle 30A MS/AL	5	36.	T-11905	277270-PRO	Electrode 275A MS/SS/AL, Silver PRO	5
17.	T-12031	277122	Nozzle 50A MS/AL	5	37.	T-12038	284124-PRO	Electrode 400A MS, Silver PRO	1
18.	T-11887	277125	Nozzle 70A MS/SS/AL	5	38.	T-12182	279150	Torch Head	1
19.	T-11886	277284	Nozzle 100A MS/SS/AL, Air	1	39.	T-11944	277007	Cooling Tube	1
20.	T-11885	277293	Nozzle 150A MS/SS/AL, Air	5	40.	T-11322	12.40320	Wrench for Swirl Ring 150-400A	1

\* FULLY INTERCHANGEABLE AND COMPATIBLE WITH ORIGINAL PARTS, BUT DIFFERS FROM ORIGINAL DESIGN  
-PRO SILVER PRO TECHNOLOGY INCREASES ELECTRODE LIFETIME SIGNIFICANTLY COMPARED TO STANDARD COPPER ELECTRODES

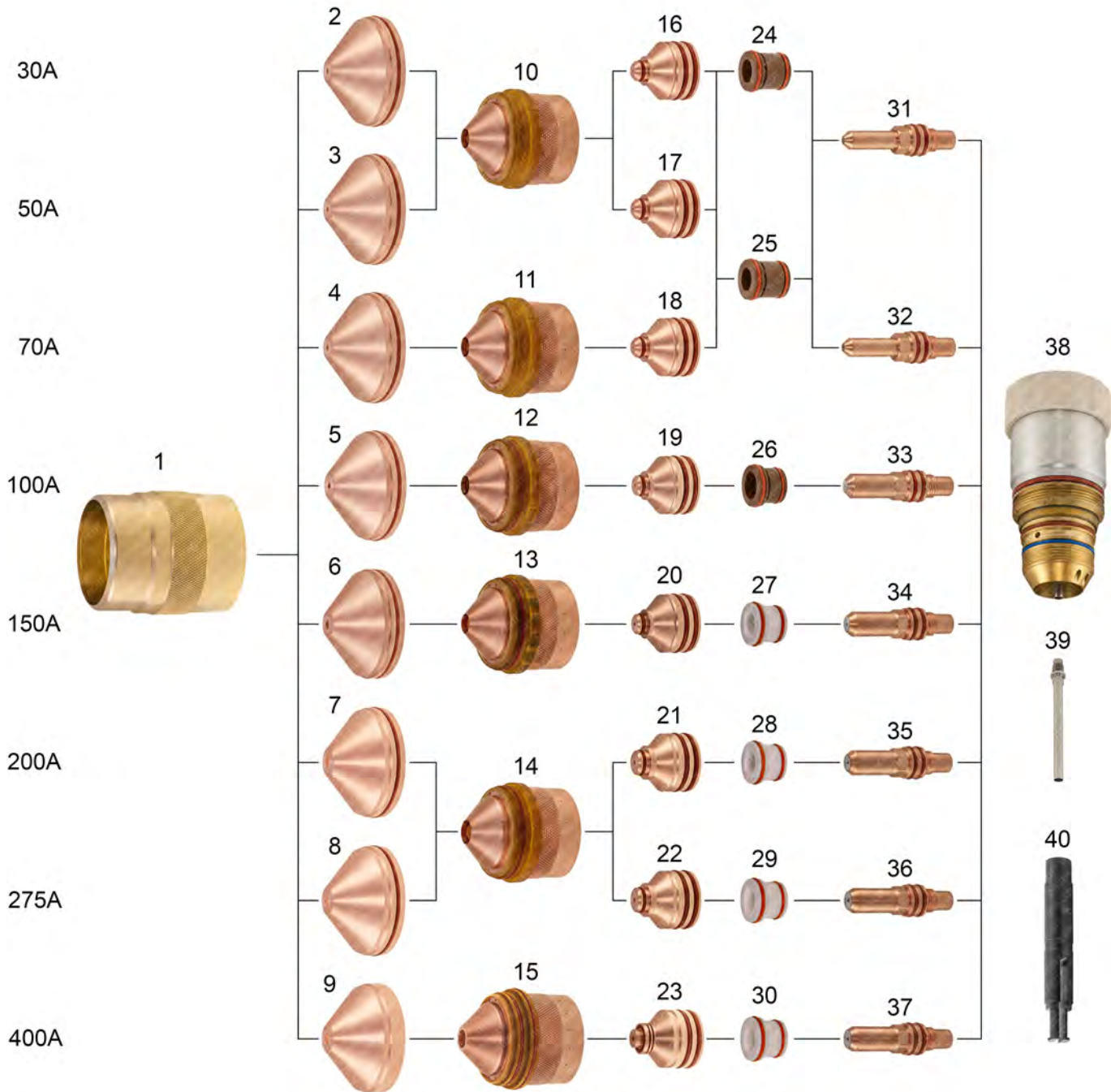
THERMACUT®, FHT-EX® AND EX-TRAFIRE® ARE REGISTERED TRADEMARKS OF THERMACUT, K. S. AND MAY BE REGISTERED IN CZECH REPUBLIC AND/OR OTHER COUNTRIES. ALL OTHER TRADEMARKS ARE PROPERTIES OF THEIR RESPECTIVE OWNERS. THERMACUT IS NO WAY AFFILIATED WITH KALIBURN®.  
MOST THERMACUT PARTS ARE MADE FOR OR BY AN IBG COMPANY. PARTS INDICATED WITH A OEM ARE ORIGINAL PARTS MANUFACTURED BY THE ABOVE NAMED MANUFACTURER AND ARE BEING RESOLD BY THERMACUT. THERMACUT RESERVES THE RIGHT TO SUBSTITUTE OEM PARTS IN PLACE OF THERMACUT PARTS.  
VALID FROM JULY 2017 • PREVIOUS VERSION IS NO LONGER VALID. © COPYRIGHT 2017 BY THERMACUT® CZECH REPUBLIC. ALL RIGHTS RESERVED.



# REPLACEMENT PARTS SUITABLE FOR KALIBURN®

SPIRIT®, ProLine™

SPIRIT® 150a, 200a, 275a, 400a, ProLine™ 2150, 2200, 2260 stainless steel



THERMACUT®, FHT-EX® AND EX-TRAFIRE® ARE REGISTERED TRADEMARKS OF THERMACUT, K. S. AND MAY BE REGISTERED IN CZECH REPUBLIC AND/OR OTHER COUNTRIES. ALL OTHER TRADEMARKS ARE PROPERTIES OF THEIR RESPECTIVE OWNERS. THERMACUT IS NO WAY AFFILIATED WITH KALIBURN®. MOST THERMACUT PARTS ARE MADE FOR OR BY AN IBG COMPANY. PARTS INDICATED WITH A OEM ARE ORIGINAL PARTS MANUFACTURED BY THE ABOVE NAMED MANUFACTURER AND ARE BEING RESOLD BY THERMACUT. THERMACUT RESERVES THE RIGHT TO SUBSTITUTE OEM PARTS IN PLACE OF THERMACUT PARTS. VALID FROM JULY 2017 • PREVIOUS VERSION IS NO LONGER VALID. • © COPYRIGHT 2017 BY THERMACUT® CZECH REPUBLIC. ALL RIGHTS RESERVED.

# REPLACEMENT PARTS SUITABLE FOR KALIBURN®



PRODUCT BROCHURE WITH DETAILS AT  
WWW.THERMACUT.COM

SPIRIT®, ProLine™

SPIRIT® 150a, 200a, 275a, 400a, ProLine™ 2150, 2200, 2260 stainless steel

Item	Part No.	Ref. No.	Description	Std. Pkg.	Item	Part No.	Ref. No.	Description	Std. Pkg.
1.	T-11909	284150	Outer Retaining Cap 30-400A	1	21.	T-11884	277289	Nozzle 200A MS/SS/AL, Air	5
	T-11892	277154	Outer Retaining Cap, 30-275A	1	22.	T-12056	277276	Nozzle 275A SS/AL	5
2.	T-12049	277144	Shield Cap 30A SS	1	23.	T-12057	284157	Nozzle 400A SS	5
3.	T-12050	277149	Shield Cap 50A SS	1	24.	T-12059	277138	Swirl Ring 30A SS	5
4.	T-11901	277150	Shield Cap 70A MS/SS/AL	1	25.	T-11894	277142	Swirl Ring 50/70A MS/SS/AL	5
5.	T-11898	277286	Shield Cap 100A MS/SS/AL, Air	1	26.	T-11893	277283	Swirl Ring 100A MS/SS/AL, Air	5
6.	T-11907	277117	Shield Cap 150A MS/SS/AL	1	*27.	T-11897	277139-UR	Swirl Ring 150A MS/SS/AL	5
7.	T-11899	277274	Shield Cap 200A MS/SS/AL	1	*28.	T-11896	277143-UR	Swirl Ring 200A MS/SS/AL	5
8.	T-11900	277263	Shield Cap 275A MS/SS/AL	1	*29.	T-11895	277258-UR	Swirl Ring 275A MS/SS/AL	5
9.	T-12051	284155	Shield Cap 400A SS/AL	1	*30.	T-12036	284122-UR	Swirl Ring 400A MS/SS/AL	5
10.	T-12052	277110	Inner Retaining Cap 30-50A SS	1	31.	T-12060	277137	Electrode 30/50A SS	1
11.	T-11891	277153	Inner Retaining Cap 70A MS/SS/AL	1	32.	T-11906	277131	Electrode 70A MS/SS/AL	5
12.	T-11908	277151	Inner Retaining Cap 100A MS/SS/AL	1	33.	T-11902	277282-PRO	Electrode 100A MS/SS/AL, Silver PRO	5
13.	T-11890	277152	Inner Retaining Cap 150A MS/SS/AL	1	34.	T-11904	277292-PRO	Electrode 150A MS/SS/AL, Silver PRO	5
14.	T-11889	277266	Inner Retaining Cap 200/275A MS/SS/AL	1	35.	T-11903	277291-PRO	Electrode 200A MS/SS/AL, Silver PRO	5
15.	T-12053	284156	Inner Retaining Cap 400A SS/AL	1	36.	T-11905	277270-PRO	Electrode 275A MS/SS/AL, Silver PRO	5
16.	T-12054	277121	Nozzle 30A SS	5	37.	T-12061	284159	Electrode 400A SS/AL	1
17.	T-12055	277123	Nozzle 50A SS	5	38.	T-12182	279150	Torch Head	1
18.	T-11887	277125	Nozzle 70A MS/SS/AL	5	39.	T-11944	277007	Cooling Tube	1
19.	T-11886	277284	Nozzle 100A MS/SS/AL, Air	5	40.	T-11322	12.40320	Wrench for Swirl Ring 150-400A	1
20.	T-11885	277293	Nozzle 150A MS/SS/AL, Air	5					

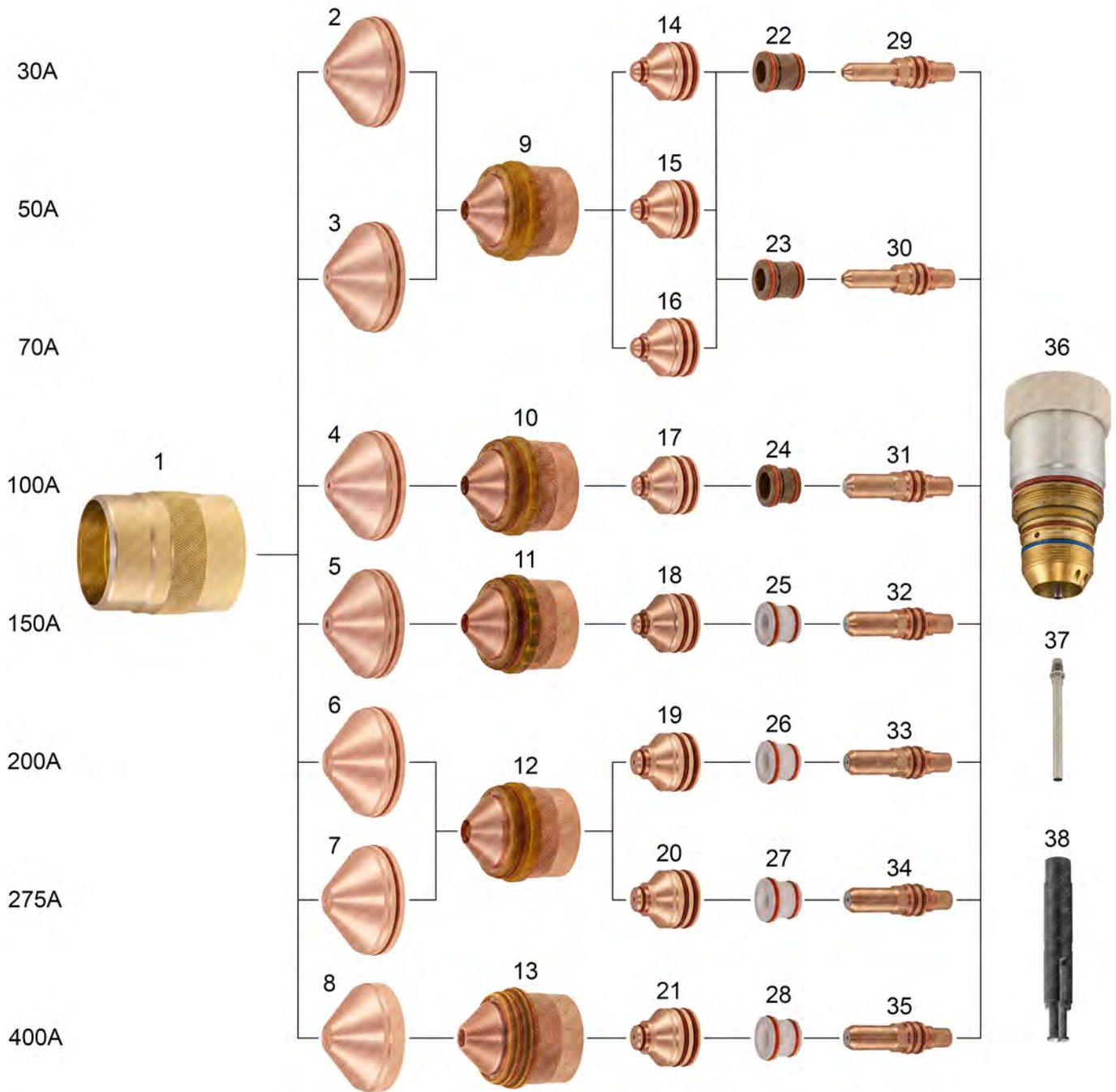
\* FULLY INTERCHANGEABLE AND COMPATIBLE WITH ORIGINAL PARTS, BUT DIFFERS FROM ORIGINAL DESIGN  
-PRO SILVER PRO TECHNOLOGY INCREASES ELECTRODE LIFETIME SIGNIFICANTLY COMPARED TO STANDARD COPPER ELECTRODES

THERMACUT®, FHT-EX® AND EX-TRAFIRE® ARE REGISTERED TRADEMARKS OF THERMACUT, K. S. AND MAY BE REGISTERED IN CZECH REPUBLIC AND/OR OTHER COUNTRIES. ALL OTHER TRADEMARKS ARE PROPERTIES OF THEIR RESPECTIVE OWNERS. THERMACUT IS NO WAY AFFILIATED WITH KALIBURN®.  
MOST THERMACUT PARTS ARE MADE FOR OR BY AN IBG COMPANY. PARTS INDICATED WITH A OEM ARE ORIGINAL PARTS MANUFACTURED BY THE ABOVE NAMED MANUFACTURER AND ARE BEING RESOLD BY THERMACUT. THERMACUT RESERVES THE RIGHT TO SUBSTITUTE OEM PARTS IN PLACE OF THERMACUT PARTS.  
VALID FROM JULY 2017 • PREVIOUS VERSION IS NO LONGER VALID. © COPYRIGHT 2017 BY THERMACUT® CZECH REPUBLIC. ALL RIGHTS RESERVED.

# REPLACEMENT PARTS SUITABLE FOR KALIBURN®

SPIRIT®, ProLine™

SPIRIT® 150a, 200a, 275a, 400a, ProLine™ 2150, 2200, 2260 aluminum



THERMACUT®, FHT-EX® AND EX-TRAFIRE® ARE REGISTERED TRADEMARKS OF THERMACUT, K. S. AND MAY BE REGISTERED IN CZECH REPUBLIC AND/OR OTHER COUNTRIES. ALL OTHER TRADEMARKS ARE PROPERTIES OF THEIR RESPECTIVE OWNERS. THERMACUT IS IN NO WAY AFFILIATED WITH KALIBURN®. MOST THERMACUT PARTS ARE MADE FOR OR BY AN IBG COMPANY. PARTS INDICATED WITH A OEM ARE ORIGINAL PARTS MANUFACTURED BY THE ABOVE NAMED MANUFACTURER AND ARE BEING RESOLD BY THERMACUT. THERMACUT RESERVES THE RIGHT TO SUBSTITUTE OEM PARTS IN PLACE OF THERMACUT PARTS. VALID FROM JULY 2017 • PREVIOUS VERSION IS NO LONGER VALID. • © COPYRIGHT 2017 BY THERMACUT® CZECH REPUBLIC. ALL RIGHTS RESERVED.

# REPLACEMENT PARTS SUITABLE FOR KALIBURN®



PRODUCT BROCHURE WITH DETAILS AT  
WWW.THERMACUT.COM

SPIRIT®, ProLine™

SPIRIT® 150a, 200a, 275a, 400a, ProLine™ 2150, 2200, 2260 aluminum

Item	Part No.	Ref. No.	Description	Std. Pkg.	Item	Part No.	Ref. No.	Description	Std. Pkg.
1.	T-11909	284150	Outer Retaining Cap 30-400A	1	20.	T-12056	277276	Nozzle 275A SS/AL	5
	T-11892	277154	Outer Retaining Cap 30-275A	1	21.	T-12058	284158	Nozzle 400A AL	5
2.	T-12034	277145	Shield Cap 30A MS/AL	1	22.	T-12033	277140	Swirl Ring 30A MS/SS/AL, H17	5
3.	T-11901	277150	Shield Cap 50/70A MS/SS/AL	1	23.	T-11894	277142	Swirl Ring 50/70A MS/SS/AL	5
4.	T-11898	277286	Shield Cap 100A MS/SS/AL, Air	1	24.	T-11893	277283	Swirl Ring 100A MS/SS/AL	5
5.	T-11907	277117	Shield Cap 150A MS/SS/AL	1	*25.	T-11897	277139-UR	Swirl Ring 150A MS/SS/AL	5
6.	T-11899	277274	Shield Cap 200A MS/SS/AL	1	*26.	T-11896	277143-UR	Swirl Ring 200A MS/SS/AL	5
7.	T-11900	277263	Shield Cap 275A MS/SS/AL	1	*27.	T-11895	277258-UR	Swirl Ring 275A MS/SS/AL	5
8.	T-12051	284155	Shield Cap 400A SS/AL	1	*28.	T-12036	284122-UR	Swirl Ring 400A MS/SS/AL	5
9.	T-11891	277153	Inner Retaining Cap 30-70A MS/SS/AL	1	29.	T-12032	277130	Electrode 30A MS/AL	1
10.	T-11908	277151	Inner Retaining Cap 100A MS/SS/AL	1	30.	T-11906	277131	Electrode 50/70A MS/SS/AL	5
11.	T-11890	277152	Inner Retaining Cap 150A MS/SS/AL	1	31.	T-11902	277282-PRO	Electrode 100A MS/SS/AL, Silver PRO	5
12.	T-11889	277266	Inner Retaining Cap 200/275A MS/SS/AL	1	32.	T-11904	277292-PRO	Electrode 150A MS/SS/AL, Silver PRO	5
13.	T-12053	284156	Inner Retaining Cap 400A SS/AL	1	33.	T-11903	277291-PRO	Electrode 200A MS/SS/AL, Silver PRO	5
14.	T-12030	277120	Nozzle 30A MS/AL	5	34.	T-11905	277270-PRO	Electrode 275A MS/SS/AL, Silver PRO	5
15.	T-12031	277122	Nozzle 50A MS/AL	5	35.	T-12061	284159	Electrode 400A SS/AL	1
16.	T-11887	277125	Nozzle 70A MS/SS/AL	5	36.	T-12182	279150	Torch Head	1
17.	T-11886	277284	Nozzle 100A MS/SS/AL, Air	5	37.	T-11944	277007	Cooling Tube	1
18.	T-11885	277293	Nozzle 150A MS/SS/AL, Air	5	38.	T-11322	12.40320	Wrench for Swirl Ring 150-400A	1
19.	T-11884	277289	Nozzle 200A MS/SS/AL, Air	5					

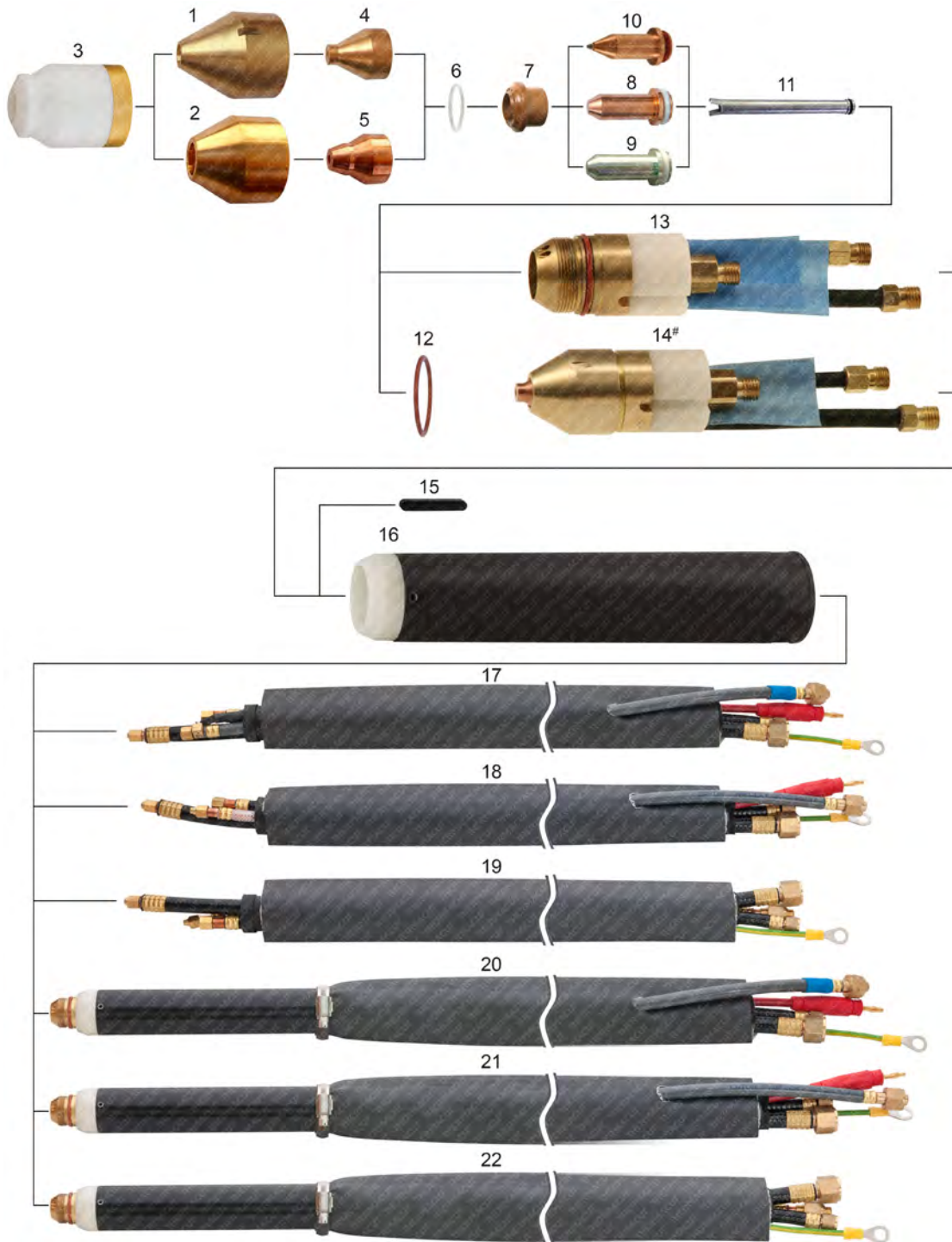
\* FULLY INTERCHANGEABLE AND COMPATIBLE WITH ORIGINAL PARTS, BUT DIFFERS FROM ORIGINAL DESIGN  
-PRO SILVER PRO TECHNOLOGY INCREASES ELECTRODE LIFETIME SIGNIFICANTLY COMPARED TO STANDARD COPPER ELECTRODES

THERMACUT®, FHT-EX® AND EX-TRAFIRE® ARE REGISTERED TRADEMARKS OF THERMACUT, K. S. AND MAY BE REGISTERED IN CZECH REPUBLIC AND/OR OTHER COUNTRIES. ALL OTHER TRADEMARKS ARE PROPERTIES OF THEIR RESPECTIVE OWNERS. THERMACUT IS NO WAY AFFILIATED WITH KALIBURN®.  
MOST THERMACUT PARTS ARE MADE FOR OR BY AN IBG COMPANY. PARTS INDICATED WITH A OEM ARE ORIGINAL PARTS MANUFACTURED BY THE ABOVE NAMED MANUFACTURER AND ARE BEING RESOLD BY THERMACUT. THERMACUT RESERVES THE RIGHT TO SUBSTITUTE OEM PARTS IN PLACE OF THERMACUT PARTS.  
VALID FROM JULY 2017 • PREVIOUS VERSION IS NO LONGER VALID. • © COPYRIGHT 2017 BY THERMACUT® CZECH REPUBLIC. ALL RIGHTS RESERVED.



# REPLACEMENT PARTS SUITABLE FOR KJELLBERG®

PA-S20W™, PA-S25W™, PA-S40W™, PA-S45W™, PA-S70W™  
PB-S45W™



THERMACUT®, FHT-EX® AND EX-TRAFIRE® ARE REGISTERED TRADEMARKS OF THERMACUT, K. S. AND MAY BE REGISTERED IN CZECH REPUBLIC AND/OR OTHER COUNTRIES. ALL OTHER TRADEMARKS ARE PROPERTIES OF THEIR RESPECTIVE OWNERS. THERMACUT IS NO WAY AFFILIATED WITH KJELLBERG®. MOST THERMACUT PARTS ARE MADE FOR OR BY AN IBG COMPANY. PARTS INDICATED WITH A OEM ARE ORIGINAL PARTS MANUFACTURED BY THE ABOVE NAMED MANUFACTURER AND ARE BEING RESOLD BY THERMACUT. THERMACUT RESERVES THE RIGHT TO SUBSTITUTE OEM PARTS IN PLACE OF THERMACUT PARTS. VALID FROM JULY 2017 • PREVIOUS VERSION IS NO LONGER VALID. • © COPYRIGHT 2017 BY THERMACUT® CZECH REPUBLIC. ALL RIGHTS RESERVED.

# REPLACEMENT PARTS SUITABLE FOR KJELLBERG®

PA-S20W™, PA-S25W™, PA-S40W™, PA-S45W™, PA-S70W™  
PB-S45W™

Item	Part No.	Ref. No.	Sh.Ref.No.	Description	Std.Pkg.	Item	Part No.	Ref. No.	Sh.Ref.No.	Description	Std. Pkg.
1.	T-8609	11.828.201.151		Nose Cap 6,0	1	NS	T-8710	11.828.001.820 OEM		Cathode Tool	1
2.	T-8617	11.830.301.151		Nose Cap 9,6	1	NS	T-11572	11.828.001.810 OEM		Nose Cap Tool	1
3.	T-10040	11.828.101.160		Protection Cap, Hand	1	15.	PT-12482	11.828.201.250-3		Tube Pin	1
4.	T-8612	11.828.201.413	Ld	Nozzle 1,3mm, Air, 90A	5	16.	T-8610	11.828.201.250		Tube complete, incl.pos.15	1
	T-8613	11.828.201.414	Le	Nozzle 1,4mm, Air, 120A	10	17.	KT-1068	11.832.521.701		Cable Leads 10m PB-S45W-1/O <sub>2</sub>	1
5.	T-8614	11.828.203.410	Lle	Nozzle 1,0mm, Lle, Air, 45A	10		KT-1449	K.PB-S45W-102.15M.K		Cable Leads 15m PB-S45W-1/O <sub>2</sub>	1
	T-8615	11.828.203.413	Lde	Nozzle 1,3mm, Lde, Air, 90A	10	18.	KT-1468	11.832.501.701		Cable Leads 10m PB-S45W-1/L	1
	T-8616	11.828.203.414	Lee	Nozzle 1,4mm, Lee, Air, 130A	10		KT-1373	K.PB-S45W-1L.15M.K		Cable Leads 15m PB-S45W-1/L	1
	T-8736	11.828.213.613	Ade	Nozzle, 1,3mm ArH <sub>2</sub> , 80A	10	19.	KT-1473	11.831.601.700		Cable Leads 6m PB-S45WH/L	1
	T-8737	11.828.213.614	Aee	Nozzle, 1,4mm ArH <sub>2</sub> , 100A	5		KT-1296	11.832.401.701		Cable Leads 10m PB-S45W/L	1
	T-8738	11.828.213.616	Afe	Nozzle, 1,6mm ArH <sub>2</sub> , 130A	5		KT-1322	K.PB-S45W-L.15M.K		Cable Leads 15m PB-S45W/L	1
	T-8620	11.834.321.410	Lle-XL	Nozzle 1,0 45A O <sub>2</sub>	10	20.	KT-1208	11.832.521.006		Torch with Leads 6m PB-S45W-1/O <sub>2</sub>	1
	T-8621	11.834.321.413	Lde-XL	Nozzle 1,3 90A O <sub>2</sub>	10		KT-1255	11.832.521.010		Torch with Leads 10m PB-S45W-1/O <sub>2</sub>	1
	T-8622	11.834.321.414	Lee-XL	Nozzle 1,4 130A O <sub>2</sub>	10		KT-1490	K.PB-S45W-1L02.15M		Torch with Leads 15m PB-S45W-1/O <sub>2</sub>	1
6.	T-8601	10.575.036		O-Ring	1	21.	KT-1413	11.832.501.006		Torch with Leads 6m PB-S45W-1/L	1
7.	T-8604	11.828.001.153	Z111	Swirl Ring	1		KT-1254	11.832.501.010		Torch with Leads 10m PB-S45W-1/L	1
	T-10794	11.828.001.153K	Z111	Swirl Ring, Ceramic	1		KT-1272	K.PB-S45W-1L.15M		Torch with Leads 15m PB-S45W-1/L	1
8.	T-8605	11.828.001.3001	Kb	Cathode	5		KT-1230	11.832.501.1015		Torch with Leads 1,5m PB-S45W-1/L	1
9.	T-4921	11.834.321.3001-AG		Cathode, SilverEX®	5	22.	KT-1402	11.832.401.006		Torch with Leads 6m PB-S45W/L	1
10.	T-8735	11.828.211.5001	Ka	Cathode ArH <sub>2</sub> (i)	5		KT-1116	11.832.401.010		Torch with Leads 10m PB-S45W/L	1
11.	T-8603	11.828.001.152		Cooling Tube	1		KT-1054	K.PB-S45W-L.15M		Torch with Leads 15m PB-S45W/L	1
12.	T-8602	10.575.052		O-Ring	1		KT-1356	K.PB-S45W-L.20M		Torch with Leads 20m PB-S45W/L	1
13.	T-8926	11.828.301.100		Torch Body, Machine	1	NS	KT-1417	K.PB-S45W-1LO <sub>2</sub> .20M		Torch with Leads 20m PB-S45W-1/O <sub>2</sub>	1
#14.	T-8607#	11.828.201.100		Complete Torch, Machine	1		Different types of cable leads available on request				

(i) THIS PART MAY NOT BE DISTRIBUTED ON THE GERMAN MARKET. THERMACUT ACCEPTS NO RESPONSIBILITY IN CASE OF INDIRECT SALES TO GERMANY.

# INCLUDING PARTS: TORCH 11.828.301.100, ELECTRODE 11.828.001.3001, SWIRL RING 11.828.001.153, O-RING 10.575.036, NOZZLE 11.828.203.413, NOSE CAP 11.830.301.151

NS NOT SHOWN IN THE PICTURE

THERMACUT®, FHT-EX® AND EX-TRAFIRE® ARE REGISTERED TRADEMARKS OF THERMACUT, K. S. AND MAY BE REGISTERED IN CZECH REPUBLIC AND/OR OTHER COUNTRIES. ALL OTHER TRADEMARKS ARE PROPERTIES OF THEIR RESPECTIVE OWNERS. THERMACUT IS NO WAY AFFILIATED WITH KJELLBERG®.

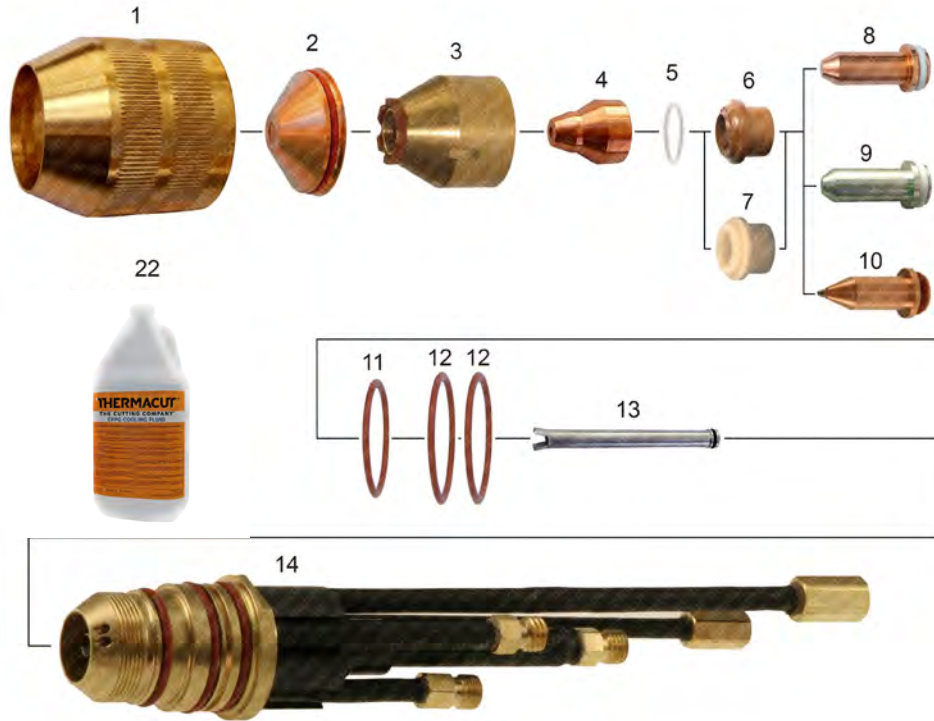
MOST THERMACUT PARTS ARE MADE FOR OR BY AN IBG COMPANY. PARTS INDICATED WITH A OEM ARE ORIGINAL PARTS MANUFACTURED BY THE ABOVE NAMED MANUFACTURER AND ARE BEING RESOLD BY THERMACUT. THERMACUT RESERVES THE RIGHT TO SUBSTITUTE OEM PARTS IN PLACE OF THERMACUT PARTS.

VALID FROM JULY 2017 • PREVIOUS VERSION IS NO LONGER VALID. © COPYRIGHT 2017 BY THERMACUT® CZECH REPUBLIC. ALL RIGHTS RESERVED.

# REPLACEMENT PARTS SUITABLE FOR KJELLBERG®

FineFocus® 450

PB-S47™ W - 1 / O<sub>2</sub>



1:3



THERMACUT®, FHT-EX® AND EX-TRAFIRE® ARE REGISTERED TRADEMARKS OF THERMACUT, K. S. AND MAY BE REGISTERED IN CZECH REPUBLIC AND/OR OTHER COUNTRIES. ALL OTHER TRADEMARKS ARE PROPERTIES OF THEIR RESPECTIVE OWNERS. THERMACUT IS NO WAY AFFILIATED WITH KJELLBERG®. MOST THERMACUT PARTS ARE MADE FOR OR BY AN IBG COMPANY. PARTS INDICATED WITH A OEM ARE ORIGINAL PARTS MANUFACTURED BY THE ABOVE NAMED MANUFACTURER AND ARE BEING RESOLD BY THERMACUT. THERMACUT RESERVES THE RIGHT TO SUBSTITUTE OEM PARTS IN PLACE OF THERMACUT PARTS. VALID FROM JULY 2017 • PREVIOUS VERSION IS NO LONGER VALID. • © COPYRIGHT 2017 BY THERMACUT® CZECH REPUBLIC. ALL RIGHTS RESERVED.

# REPLACEMENT PARTS SUITABLE FOR KJELLBERG®

FineFocus® 450

PB-S47™ W - 1 / O<sub>2</sub>

Item	Part No.	Ref. No.	Sh.Ref.No.	Description	Std.Pkg.	Item	Part No.	Ref. No.	Sh.Ref.No.	Description	Std. Pkg.
1.	T-8641	11.832.201.081	W501	Protection Cap	1	10.	T-8735	11.828.211.5001	Ka	Cathode, ArH <sub>2</sub> (i)	5
2.	T-8642	11.832.201.1561	W4130	Swirl Gas Cup 3,0	10	11.	T-8602	10.575.052		O-Ring	1
	T-8643	11.832.201.1571	W4140	Swirl Gas Cup 4,0	10	12.	T-8647	10.505.915		O-Ring	1
3.	T-8644	11.832.201.160	W3030	Nozzle Cap	1	13.	PT-10232	11.832.201.152	W901	Cooling Tube	1
4.	T-8614	11.828.203.410	Lle	Nozzle 1.0mm, Lle, Air, 45A	10	14.	T-8649	11.832.221.100		Torch Body, Machine	1
	T-8615	11.828.203.413	Lde	Nozzle 1.3mm, Lde, Air, 90A	10	15.	T-8648	10.505.948		O-Ring	1
	T-8616	11.828.203.414	Lee	Nozzle 1.4mm, Lee, Air, 130A	10	16.	T-10193	11.832.221.100-10		Tube Adaptor	1
	T-8620	11.834.321.410	Lle-XL	Nozzle 1.0mm, O <sub>2</sub> , 45A	10	17.	T-10925	11.832.201.077		Clamping Bush	1
	T-8621	11.834.321.413	Lde-XL	Nozzle 1.3mm, O <sub>2</sub> , 90A	10	18.	T-10924	11.832.201.076		Outer Bush	1
	T-8622	11.834.321.414	Lee-XL	Nozzle 1.4mm, O <sub>2</sub> , 130A	10	19.	T-10772	11.834.321.250		Tube PB-S47W™	1
	T-8736	11.828.213.613	Ade	Nozzle 1.3mm, ArH <sub>2</sub> , 80A	10	20.	KT-1155	11.834.721.1015		Torch with Leads 1.5m 2/O <sub>2</sub>	1
	T-8737	11.828.213.614	Aee	Nozzle 1.4mm, ArH <sub>2</sub> , 100A	5	21.	KT-1056	11.834.321.006		Torch with Leads 6m 1/O <sub>2</sub>	1
	T-8738	11.828.213.616	Afe	Nozzle 1.6mm, ArH <sub>2</sub> , 130A	5		KT-1422	11.834.321.010		Torch with Leads 10m 1/O <sub>2</sub>	1
5.	T-8601	10.575.036		O-Ring	1		KT-1102	11.834.321.015		Torch with Leads 15m 1/O <sub>2</sub>	1
6.	T-8618	11.834.321.153	Z111	Swirl Ring	1		KT-1127	K.PB-S47W.20M		Torch with Leads 20m 1/O <sub>2</sub>	1
7.	T-9287	11.834.321.153K	Z111	Swirl Ring - ceramic	1	NS	KT-1470	11.834.321.700A		PB-S47W™ Cable Leads 15m 1/O <sub>2</sub>	1
8.	T-8619	11.834.321.3001	Kb-XL	Cathode	5	22.	Coolant Liquid. Details on Accessories page.				
9.	T-4921	11.834.321.3001-AG	Kb-XL	Cathode, SilverEX®	5						

(i) THIS PART MAY NOT BE DISTRIBUTED ON THE GERMAN MARKET. THERMACUT ACCEPTS NO RESPONSIBILITY IN CASE OF INDIRECT SALES TO GERMANY.

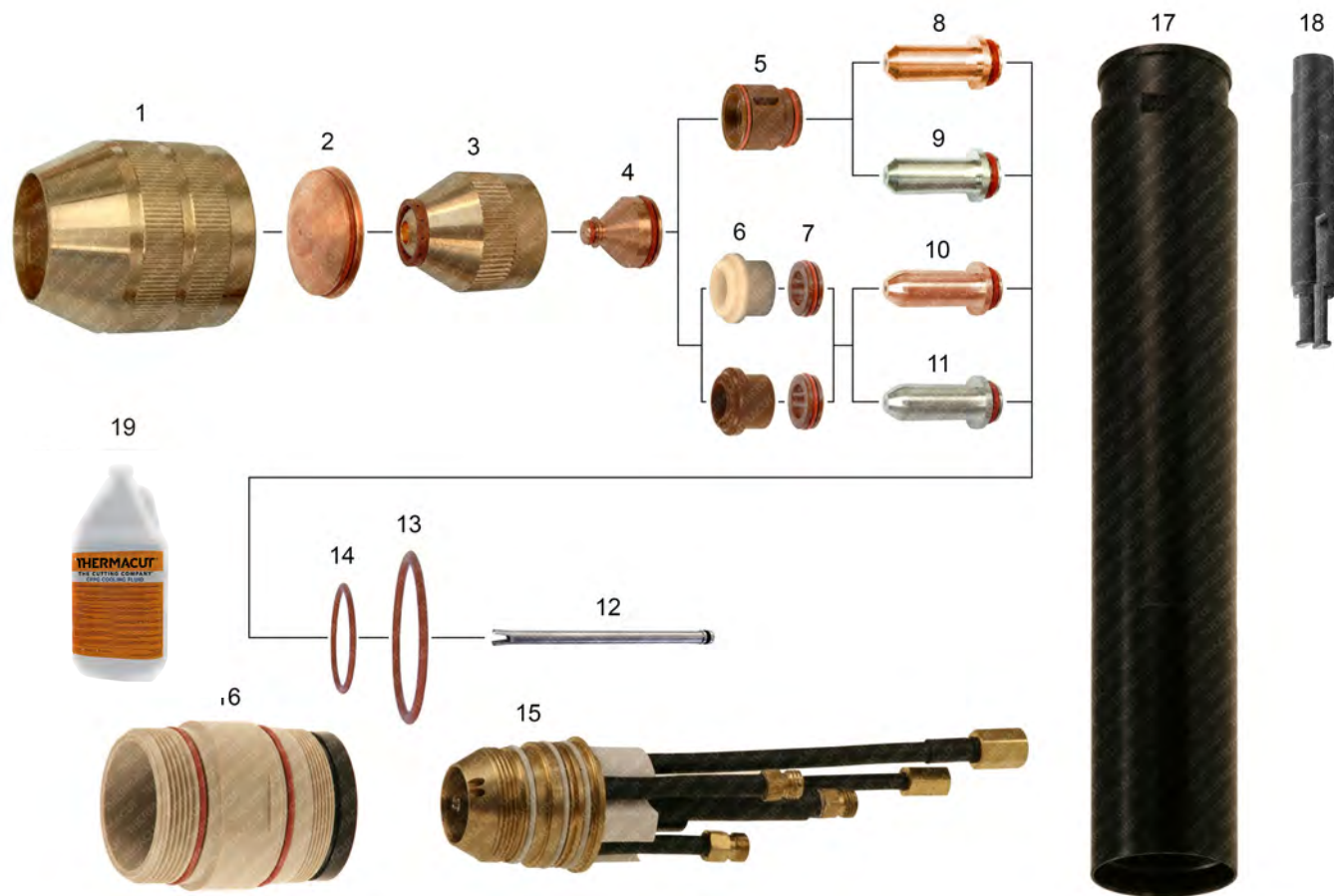
THERMACUT®, FHT-EX® AND EX-TRAFIRE® ARE REGISTERED TRADEMARKS OF THERMACUT, K. S. AND MAY BE REGISTERED IN CZECH REPUBLIC AND/OR OTHER COUNTRIES. ALL OTHER TRADEMARKS ARE PROPERTIES OF THEIR RESPECTIVE OWNERS. THERMACUT IS NO WAY AFFILIATED WITH KJELLBERG®. MOST THERMACUT PARTS ARE MADE FOR OR BY AN IBG COMPANY. PARTS INDICATED WITH A OEM ARE ORIGINAL PARTS MANUFACTURED BY THE ABOVE NAMED MANUFACTURER AND ARE BEING RESOLD BY THERMACUT. THERMACUT RESERVES THE RIGHT TO SUBSTITUTE OEM PARTS IN PLACE OF THERMACUT PARTS. VALID FROM JULY 2017 • PREVIOUS VERSION IS NO LONGER VALID. • © COPYRIGHT 2017 BY THERMACUT® CZECH REPUBLIC. ALL RIGHTS RESERVED.



# REPLACEMENT PARTS SUITABLE FOR KJELLBERG®

HiFocus® 100

PerCut® 100, PerCut® 101



THERMACUT®, FHT-EX® AND EX-TRAFIRE® ARE REGISTERED TRADEMARKS OF THERMACUT, K. S. AND MAY BE REGISTERED IN CZECH REPUBLIC AND/OR OTHER COUNTRIES. ALL OTHER TRADEMARKS ARE PROPERTIES OF THEIR RESPECTIVE OWNERS. THERMACUT IS NO WAY AFFILIATED WITH KJELLBERG®. MOST THERMACUT PARTS ARE MADE FOR OR BY AN IBG COMPANY. PARTS INDICATED WITH A OEM ARE ORIGINAL PARTS MANUFACTURED BY THE ABOVE NAMED MANUFACTURER AND ARE BEING RESOLD BY THERMACUT. THERMACUT RESERVES THE RIGHT TO SUBSTITUTE OEM PARTS IN PLACE OF THERMACUT PARTS. VALID FROM JULY 2017 • PREVIOUS VERSION IS NO LONGER VALID. • © COPYRIGHT 2017 BY THERMACUT® CZECH REPUBLIC. ALL RIGHTS RESERVED.

# REPLACEMENT PARTS SUITABLE FOR KJELLBERG®

HiFocus® 100

PerCut® 100, PerCut® 101

Item	Part No.	Ref. No.	Sh.Ref.No.	Description	Std. Pkg.	Item	Part No.	Ref. No.	Sh.Ref.No.	Description	Std. Pkg.
1.	T-8630	11.835.201.081	Z501	Protection Cap	1		T-8618	11.834.321.153	Z111	Swirl Ring – vespel	1
2.	T-8631	11.835.201.1561	Z4015	Swirl Gas Cap 1,5	10	7.	T-8655	11.835.421.303	Z111A	Spacer	2
	T-8632	11.835.201.1571	Z4020	Swirl Gas Cap 2,0	10	8.	T-8624	11.835.221.3101	Z002Cu	Cathode, O <sub>2</sub> XL – copper (i)	5
	T-8633	11.835.201.1581	Z4025	Swirl Gas Cap 2,5	10	9.	T-4922	11.835.221.3101-AG	Z002	Cathode, O <sub>2</sub> XL – SilverEX®	5
	T-8634	11.835.201.1591	Z4030	Swirl Gas Cap 3,0	10	10.	T-8653	11.835.421.3101-PRO	Z012Cu	Cathode, O <sub>2</sub> XL – Silver PRO	5
	T-8650	11.835.401.1571	Z4140	Swirl Gas Cap 4,0	10	11.	T-4923	11.835.421.3101-AG	Z012	Cathode, O <sub>2</sub> XL – SilverEX®	5
	T-9928	11.835.411.1581	Z4530	Swirl Gas Cap 3,0	10	NS	T-10196	11.835.211.5101 OEM	Z042	Cathode HiFinox™	5
	T-9929	11.835.411.1591	Z4540	Swirl Gas Cap 4,0	10	NS	T-10053	11.835.411.5101 OEM	Z052	Cathode HiFinox™	5
	T-10154	11.835.411.1590	Z4545	Swirl Gas Cap 4,5	1	12.	T-8638	11.835.201.152	Z901	Cooling Tube	1
3.	T-8635	11.835.201.160	Z3004	Nozzle Cap 0,4	1	13.	T-8640	10.505.946		O-Ring	1
	T-8636	11.835.201.162	Z3008	Nozzle Cap 0,8	1	14.	N-10040	10.505.916		O-Ring	1
4.	T-8625	11.835.221.406	Z2006	Nozzle 0,6 25A	5	15.	T-8654	11.835.221.100		Torch Body, Mach.	1
	T-8626	11.835.221.407	Z2007	Nozzle 0,7 35A	10	16.	T-10282	11.842.221.100-10		Tube Adaptor	1
	T-8627	11.835.221.408	Z2008	Nozzle 0,8 50/60A	10	17.	T-9857	11.842.421.250		Tube D44-295	1
	T-8628	11.835.221.410	Z2010	Nozzle 1,0 80/90A	10	NS	T-10164	11.843.001.810 OEM		Nozzle Tool	1
	T-8929	11.835.221.411	Z2011	Nozzle 1,1 90/100A	10	NS	T-10163	11.835.221.820 OEM		Cathode Tool	1
	T-8629	11.835.221.412	Z2012	Nozzle 1,2 100A	5	NS	T-9755	11.835.201.077		Clamping Bush	1
	T-8637	11.835.221.414	Z2014	Nozzle 1,4 130A	10	NS	T-9756	11.835.201.076		Outer Bush	1
	T-8651	11.835.421.412	Z2112	Nozzle 1,2 100A	10	NS	KT-1203	11.838.221.1015		PerCut® 101-2 Torch with Leads, 1,75m	1
	T-8652	11.835.421.414	Z2114	Nozzle 1,4 130A	10	NS	KT-1185	11.838.421.700		PerCut® 101-1 Cable Leads, 6m	1
NS	T-10417	11.835.411.614 OEM	Z2514	Nozzle 1,4 120A	1	NS	KT-1135	11.838.421.702		PerCut® 101-1 Cable Leads, 15m	1
NS	T-10054	11.835.411.616 OEM	Z2516	Nozzle 1,6 130A	1	NS	KT-1410	11.838.221.103		PerCut® 101-2 Torch with Leads, 3m	1
5.	T-8623	11.835.221.153	Z101	Swirl Ring 0,4 (3xcw)	1	18.	T-11322	12.40320		Wrench for Swirl Ring	1
	T-8886	11.835.221.154	Z102	Swirl Ring 0,4 (2xcw)	1	19.	Coolant Liquid. Details on Accessories page.				
6.	T-9287	11.834.321.153K	Z111	Swirl Ring – ceramic	1						

(i) THIS PART MAY NOT BE DISTRIBUTED ON THE GERMAN, ITALIAN, FRENCH AND GREAT BRITAIN MARKET. THERMACUT ACCEPTS NO RESPONSIBILITY IN CASE OF INDIRECT SALES TO GERMANY, ITALY, FRANCE AND GREAT BRITAIN.

NS NOT SHOWN IN THE PICTURE

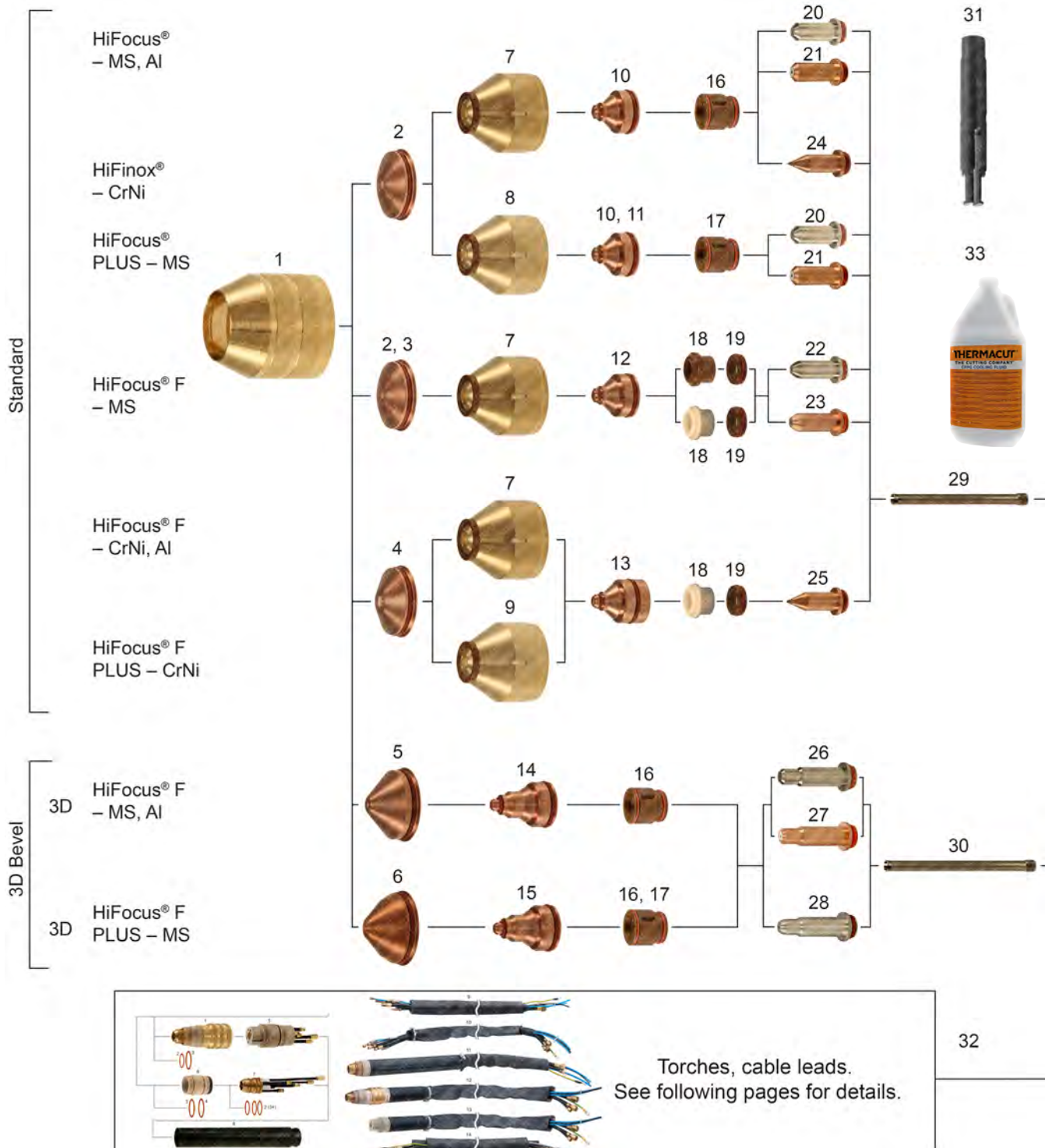
-PRO TECHNOLOGY OF SILVER INSERTED COPPER ELECTRODE BODY, WHICH SIGNIFICANTLY DECREASES ELECTRODE COSTS WITH SIMILAR WORK PERFORMANCE COMPARED TO FULL SILVER ELECTRODES.

THERMACUT®, FHT-EX® AND EX-TRAFIRE® ARE REGISTERED TRADEMARKS OF THERMACUT, K. S. AND MAY BE REGISTERED IN CZECH REPUBLIC AND/OR OTHER COUNTRIES. ALL OTHER TRADEMARKS ARE PROPERTIES OF THEIR RESPECTIVE OWNERS. THERMACUT IS NO WAY AFFILIATED WITH KJELLBERG®. MOST THERMACUT PARTS ARE MADE FOR OR BY AN IBG COMPANY. PARTS INDICATED WITH A OEM ARE ORIGINAL PARTS MANUFACTURED BY THE ABOVE NAMED MANUFACTURER AND ARE BEING RESOLD BY THERMACUT. THERMACUT RESERVES THE RIGHT TO SUBSTITUTE OEM PARTS IN PLACE OF THERMACUT PARTS. VALID FROM JULY 2017 • PREVIOUS VERSION IS NO LONGER VALID. • © COPYRIGHT 2017 BY THERMACUT® CZECH REPUBLIC. ALL RIGHTS RESERVED.

# REPLACEMENT PARTS SUITABLE FOR KJELLBERG®

HiFocus® 160i

PerCut® 160 / PerCut® 170



THERMACUT®, FHT-EX® AND EX-TRAFIRE® ARE REGISTERED TRADEMARKS OF THERMACUT, K. S. AND MAY BE REGISTERED IN CZECH REPUBLIC AND/OR OTHER COUNTRIES. ALL OTHER TRADEMARKS ARE PROPERTIES OF THEIR RESPECTIVE OWNERS. THERMACUT IS NO WAY AFFILIATED WITH KJELLBERG®. MOST THERMACUT PARTS ARE MADE FOR OR BY AN IBG COMPANY. PARTS INDICATED WITH A OEM ARE ORIGINAL PARTS MANUFACTURED BY THE ABOVE NAMED MANUFACTURER AND ARE BEING RESOLD BY THERMACUT. THERMACUT RESERVES THE RIGHT TO SUBSTITUTE OEM PARTS IN PLACE OF THERMACUT PARTS. VALID FROM JULY 2017 • PREVIOUS VERSION IS NO LONGER VALID. • © COPYRIGHT 2017 BY THERMACUT® CZECH REPUBLIC. ALL RIGHTS RESERVED.

# REPLACEMENT PARTS SUITABLE FOR KJELLBERG®



PRODUCT BROCHURE WITH DETAILS AT  
WWW.THERMACUT.COM

HiFocus® 160i

PerCut® 160 / PerCut® 170

Item	Part No.	Ref. No.	Sh.Ref.No.	Description	Std. Pkg.	Item	Part No.	Ref. No.	Sh.Ref.No.	Description	Std. Pkg.
1.	T-8630	11.835.201.081	Z501	Protection Cap	1		T-10007	11.843.021.416	S2016X	Nozzle 1,6 160A	10
2.	T-8631	11.835.201.1561	Z4015	Swirl Gas Cap 1,5	10	12.	T-10008	11.843.121.412	S2112X	Nozzle 1,2 100A	10
	T-8632	11.835.201.1571	Z4020	Swirl Gas Cap 2,0	10		T-10009	11.843.121.414	S2114X	Nozzle 1,4 130A	10
	T-8885	11.835.201.1551	Z4022	Swirl Gas Cap 2,2	10		T-10010	11.843.121.416	S2116X	Nozzle 1,6 160A	10
	T-8633	11.835.201.1581	Z4025	Swirl Gas Cap 2,5	10	13.	T-10011	11.843.111.614	S2514X	Nozzle 1,4 120A	5
	T-8634	11.835.201.1591	Z4030	Swirl Gas Cap 3,0	10		T-9926	11.843.111.616	S2516X	Nozzle 1,6 140A	5
3.	T-8650	11.835.401.1571	Z4140	Swirl Gas Cap 4,0	10		T-9927	11.843.111.618	S2518X	Nozzle 1,8 160A	5
4.	T-9928	11.835.411.1581	Z4530	Swirl Gas Cap 3,0	10	14.	T-10272	11.842.621.407	R2007	Nozzle 0,7 35A (3D)	10
	T-10153	11.835.411.1580	Z4535	Swirl Gas Cap 3,5	1	15.	T-10252	11.842.621.408	R2008	Nozzle 0,8 50A (3D)	10
	T-9929	11.835.411.1591	Z4540	Swirl Gas Cap 4,0	10		T-10273	11.842.621.409	R2009	Nozzle 0,9 70A (3D)	5
5.	T-10299	11.838.001.1561	Y4015	Swirl Gas Cap 1,5 (3D)	1		T-10274	11.842.621.410	R2010	Nozzle 1,0 80A (3D)	5
	T-10279	11.838.001.1571	Y4020	Swirl Gas Cap 2,0 (3D)	5		T-10275	11.842.621.411	R2011	Nozzle 1,1 90A (3D)	10
6.	T-10294	11.842.601.157	R4020	Swirl Gas Cap 2,0 (3D)	5		T-10276	11.842.621.412	R2012	Nozzle 1,2 100A (3D)	10
	T-10278	11.842.601.155	R4022	Swirl Gas Cap 2,2 (3D)	5		T-10277	11.842.621.414	R2014	Nozzle 1,4 130A (3D)	10
	T-10280	11.842.601.158	R4025	Swirl Gas Cap 2,5 (3D)	5	16.	T-8623	11.835.221.153	Z101	Swirl Ring 0,4 (3xcw)	1
	T-10303	11.842.701.158	R4130	Swirl Gas Cap 3,0 (3D)	5	17.	T-8886	11.835.221.154	Z102	Swirl Ring 0,4 (2xcw)	1
	T-10302	11.842.701.159	R4140	Swirl Gas Cap 4,0 (3D)	5	18.	T-9287	11.834.321.153K	Z111	Swirl Ring – ceramic	1
7.	T-8887	11.842.401.160	S3004	Nozzle Cap 0,4	1		T-8618	11.834.321.153	Z111	Swirl Ring – vespel	1
	T-8888	11.842.401.162	S3008	Nozzle Cap 0,8	1	19.	T-8655	11.835.421.303	Z111A	Spacer	2
8.	T-8889	11.842.401.1622	S3028	Nozzle Cap 0,8	1	20.	T-4920	11.843.021.320-AG	S002Y	Cathode, SilverEX®	5
	T-10208	11.842.401.1624	S3048	Nozzle Cap 0,8	1	21.	T-11204*	11.843.021.320-PRO	S002Y	Cathode, Silver PRO	5
9.	T-10328	11.842.401.1621	S3018	Nozzle Cap 0,8	1	22.	T-4924	11.843.121.310-AG	S012X	Cathode, SilverEX®	5
NS	T-10249	11.842.601.160 OEM	R3004	Nozzle Cap 0,4	1	23.	T-11853*	11.843.121.310-PRO	S012X	Cathode, Silver PRO	5
NS	T-10298	11.842.601.162 OEM	R3008	Nozzle Cap 0,8	1	24.	T-9924	11.842.411.510	S042	Cathode, HiFinox™ (i)	5
NS	T-10250	11.842.601.1621 OEM	R3018	Nozzle Cap 0,8 (3D)	1	25.	T-9925	11.842.511.510	S052	Cathode, FineFocus® (i)	5
NS	T-10251	11.842.601.1622 OEM	R3028	Nozzle Cap 0,8 (3D)	1	26.	T-4931	11.842.621.310-AG	R002	Cathode O <sub>2</sub> XL, SilverEX®	5
10.	T-10000	11.843.021.406	S2006X	Nozzle 0,6 25A	10	27.	T-11851	11.842.621.310-PRO	R002	Cathode O <sub>2</sub> XL, Silver PRO	5
	T-10001	11.843.021.407	S2007X	Nozzle 0,7 35A	10	28.	T-11839	11.842.721.310-AG	R012	Cathode O <sub>2</sub> , SilverEX®	5
11.	T-10002	11.843.021.408	S2008X	Nozzle 0,8 50/60A	10	29.	T-10207	11.842.401.152	S901	Cooling Tube	1
	T-10003	11.843.021.409	S2009X	Nozzle 0,9 70/80A	10	30.	T-11161	11.842.601.152	R901	Cooling Tube	1
	T-10004	11.843.021.410	S2010X	Nozzle 1,0 80/90A	10	31.	T-11322	12.40320		Wrench for Swirl Ring	1
	T-9699	11.843.021.411	S2011X	Nozzle 1,1 90/100A	10	32.	Torches, cable leads. See following pages for details.				
	T-10005	11.843.021.412	S2012X	Nozzle 1,2 100/130A	10	33.	Coolant Liquid. Details on Accessories page.				
	T-10006	11.843.021.414	S2014X	Nozzle 1,4 130/160A	10						

\* FULLY INTERCHANGEABLE AND COMPATIBLE WITH ORIGINAL PARTS, BUT DIFFERS FROM ORIGINAL DESIGN  
-PRO TECHNOLOGY OF SILVER INSERTED COPPER ELECTRODE BODY, WHICH SIGNIFICANTLY DECREASES ELECTRODE COSTS WITH SIMILAR WORK PERFORMANCE COMPARED TO FULL SILVER ELECTRODES.

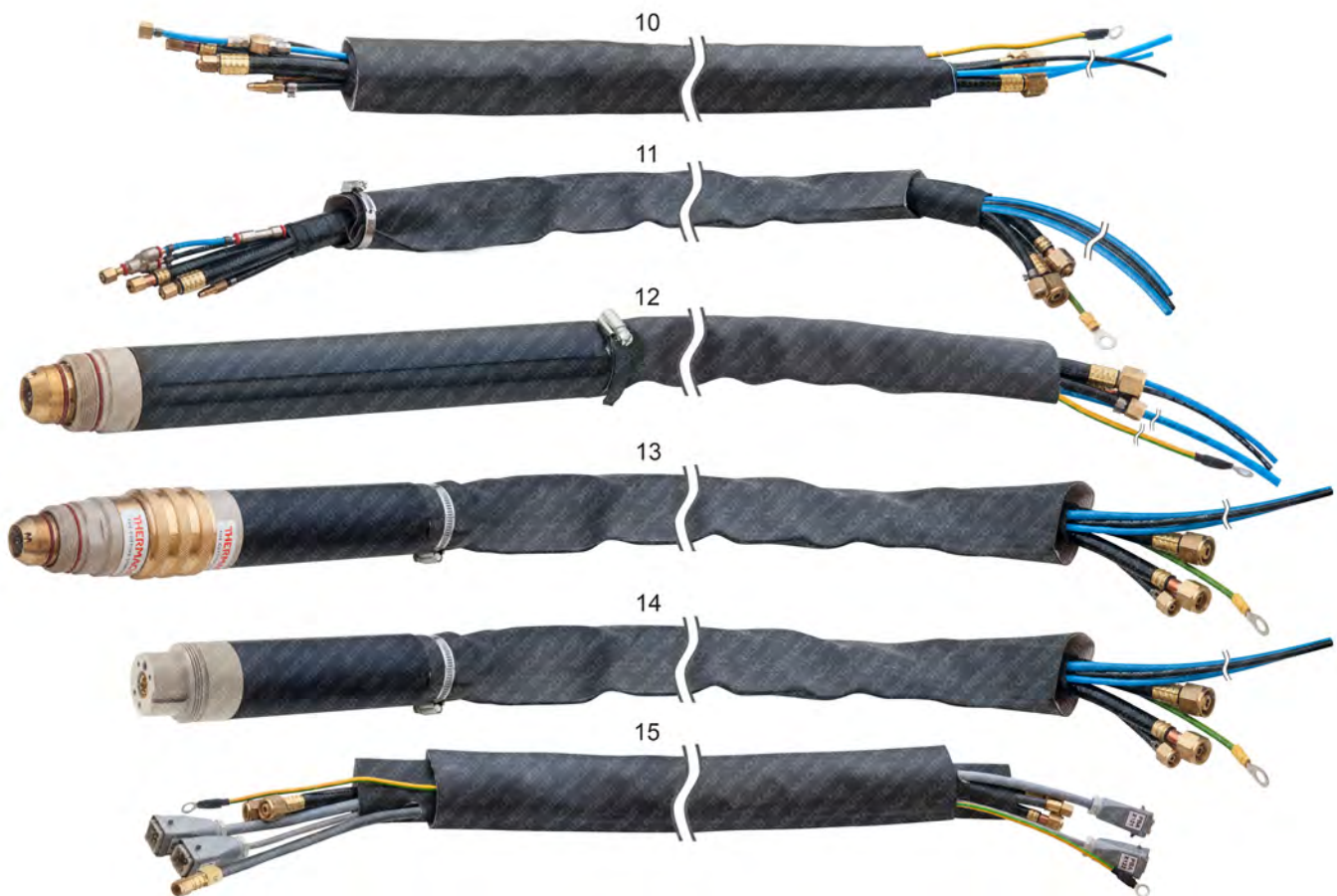
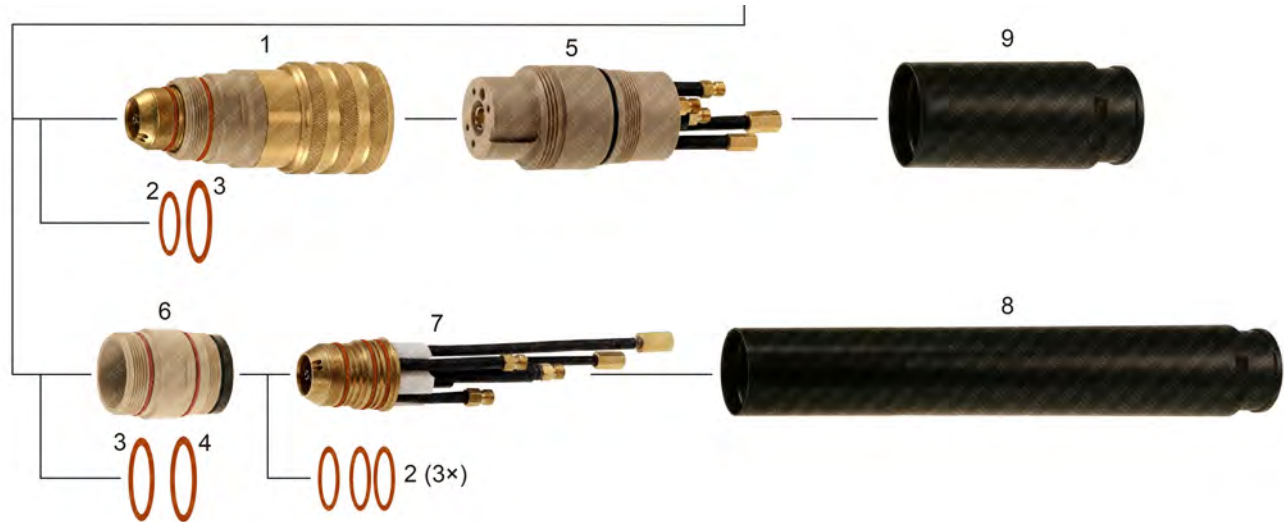
THERMACUT®, FHT-EX® AND EX-TRAFIRE® ARE REGISTERED TRADEMARKS OF THERMACUT, K. S. AND MAY BE REGISTERED IN CZECH REPUBLIC AND/OR OTHER COUNTRIES. ALL OTHER TRADEMARKS ARE PROPERTIES OF THEIR RESPECTIVE OWNERS. THERMACUT IS NO WAY AFFILIATED WITH KJELLBERG®.  
MOST THERMACUT PARTS ARE MADE FOR OR BY AN IBG COMPANY. PARTS INDICATED WITH A OEM ARE ORIGINAL PARTS MANUFACTURED BY THE ABOVE NAMED MANUFACTURER AND ARE BEING RESOLD BY THERMACUT. THERMACUT RESERVES THE RIGHT TO SUBSTITUTE OEM PARTS IN PLACE OF THERMACUT PARTS.  
VALID FROM JULY 2017 • PREVIOUS VERSION IS NO LONGER VALID. © COPYRIGHT 2017 BY THERMACUT® CZECH REPUBLIC. ALL RIGHTS RESERVED.



# REPLACEMENT PARTS SUITABLE FOR KJELLBERG®

HiFocus® 160i

PerCut® 160 / PerCut® 170 Torches and Cable leads



THERMACUT®, FHT-EX® AND EX-TRAFIRE® ARE REGISTERED TRADEMARKS OF THERMACUT, K. S. AND MAY BE REGISTERED IN CZECH REPUBLIC AND/OR OTHER COUNTRIES. ALL OTHER TRADEMARKS ARE PROPERTIES OF THEIR RESPECTIVE OWNERS. THERMACUT IS IN NO WAY AFFILIATED WITH KJELLBERG®. MOST THERMACUT PARTS ARE MADE FOR OR BY AN IBG COMPANY. PARTS INDICATED WITH A OEM ARE ORIGINAL PARTS MANUFACTURED BY THE ABOVE NAMED MANUFACTURER AND ARE BEING RESOLD BY THERMACUT. THERMACUT RESERVES THE RIGHT TO SUBSTITUTE OEM PARTS IN PLACE OF THERMACUT PARTS. VALID FROM JULY 2017 • PREVIOUS VERSION IS NO LONGER VALID. © COPYRIGHT 2017 BY THERMACUT® CZECH REPUBLIC. ALL RIGHTS RESERVED.

# REPLACEMENT PARTS SUITABLE FOR KJELLBERG®

## HiFocus® 160i

### PerCut® 160 / PerCut® 170 Torches and Cable leads

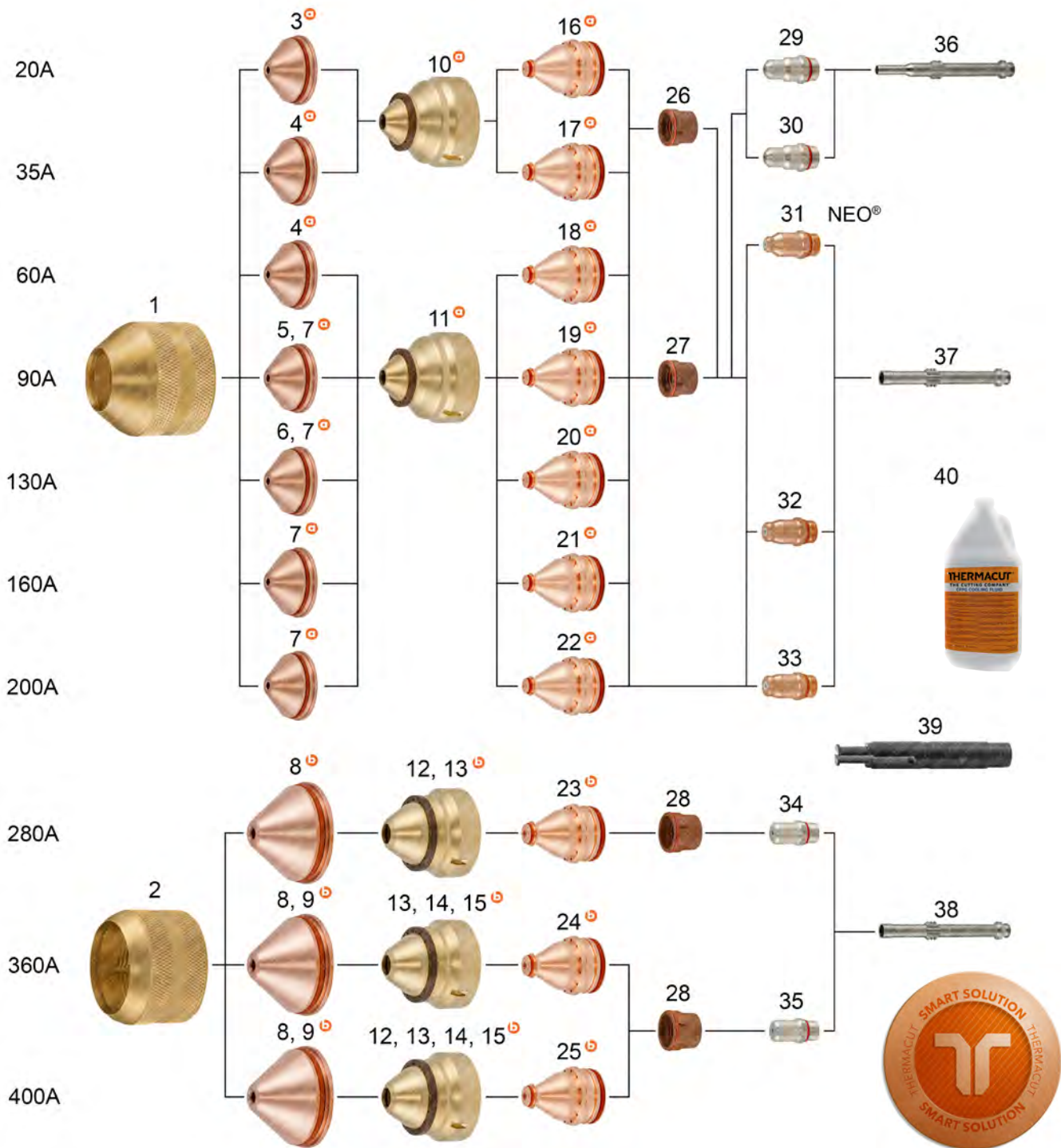
Item	Part No.	Ref. No.	Description	Std. Pkg.	Item	Part No.	Ref. No.	Description	Std. Pkg.
#1.	T-10174#	11.843.021.100-UR	PerCut® 170 Front Part	1	NS	KT-1271	K.PERCUT160.1,5M	PerCut® 160-2 Mach. Torch with Leads 1,5m	1
2.	N-12300	10.505.916	O-Ring	1	10.	KT-1179	11.842.421.700A	PerCut® 160-2 Cable Leads 1,75m	1
3.	N-12301	10.505.946	O-Ring	1	11.	KT-1220	K.PERCUT170-2.1,75M.K	PerCut® 170-2 Cable Leads 1,75m	1
4.	N-18132	N-18132	O-Ring	1	12.	KT-1051	11.842.421.1015	PerCut® 160-2 Mach. Torch with Leads 1,75m	1
#5.	T-10175#	11.822.583-UR	PerCut® 170 Adaptor	1	13.	KT-1064	11.843.021.1015-UR	PerCut® 170-2UR Mach. Torch w/ Leads 1,75m	1
6.	T-10282	11.842.221.100-10	Tube PerCut® 160	1		KT-1065	K.PERCUT170.3M	PerCut® 170-2UR Mach. Torch with Leads 3m	1
7.	T-9933	11.842.221.100	Torch PerCut® 160	1		KT-1218	K.PERCUT170-2.6M	PerCut® 170-2UR Mach. Torch with Leads 6m	1
8.	T-9857	11.842.421.250	Tube PerCut® 160	1	14.	KT-1265	K.PERCUT170-2.A	PerCut® 170 Adaptor with Leads 1,75m	1
9.	T-10176	11.843.021.250	Tube PerCut® 170	1	15.	KT-1381	11.825.710.1	PBL-H160 Lead Set, 10m	1
NS	T-9755	11.835.201.077	Clamping Bush	1		KT-1308	11.825.715.1	PBL-H160 Lead Set, 15m	1
NS	T-9756	11.835.201.076	Outer Bush	1	Different types of cable leads available on request				

# THERMACUT TORCH & ADAPTOR HAVE TO BE USED AS A SET, CONECTORS ARE NOT COMPATIBLE WITH OEM CONECTORS.  
W/ WITH

THERMACUT®, FHT-EX® AND EX-TRAFIRE® ARE REGISTERED TRADEMARKS OF THERMACUT, K. S. AND MAY BE REGISTERED IN CZECH REPUBLIC AND/OR OTHER COUNTRIES. ALL OTHER TRADEMARKS ARE PROPERTIES OF THEIR RESPECTIVE OWNERS. THERMACUT IS NO WAY AFFILIATED WITH KJELLBERG®. MOST THERMACUT PARTS ARE MADE FOR OR BY AN IBG COMPANY. PARTS INDICATED WITH A OEM ARE ORIGINAL PARTS MANUFACTURED BY THE ABOVE NAMED MANUFACTURER AND ARE BEING RESOLD BY THERMACUT. THERMACUT RESERVES THE RIGHT TO SUBSTITUTE OEM PARTS IN PLACE OF THERMACUT PARTS.  
VALID FROM JULY 2017 • PREVIOUS VERSION IS NO LONGER VALID. • © COPYRIGHT 2017 BY THERMACUT® CZECH REPUBLIC. ALL RIGHTS RESERVED.

# REPLACEMENT PARTS SUITABLE FOR KJELLBERG®

HiFocus® 160i, HiFocus® 161i, HiFocus® 280i, HiFocus® 360i, HiFocus® 440i  
PerCut® 200 / 201 / 210 / 211 / 450M / 451M mild steel



THERMACUT®, FHT-EX® AND EX-TRAFIRE® ARE REGISTERED TRADEMARKS OF THERMACUT, K. S. AND MAY BE REGISTERED IN CZECH REPUBLIC AND/OR OTHER COUNTRIES. ALL OTHER TRADEMARKS ARE PROPERTIES OF THEIR RESPECTIVE OWNERS. THERMACUT IS NO WAY AFFILIATED WITH KJELLBERG®. MOST THERMACUT PARTS ARE MADE FOR OR BY AN IBG COMPANY. PARTS INDICATED WITH A OEM ARE ORIGINAL PARTS MANUFACTURED BY THE ABOVE NAMED MANUFACTURER AND ARE BEING RESOLD BY THERMACUT. THERMACUT RESERVES THE RIGHT TO SUBSTITUTE OEM PARTS IN PLACE OF THERMACUT PARTS. VALID FROM JULY 2017 • PREVIOUS VERSION IS NO LONGER VALID. © COPYRIGHT 2017 BY THERMACUT® CZECH REPUBLIC. ALL RIGHTS RESERVED.

# REPLACEMENT PARTS SUITABLE FOR KJELLBERG®



PRODUCT BROCHURE WITH DETAILS AT  
WWW.THERMACUT.COM

HiFocus® 160i, HiFocus® 280i, HiFocus® 360i, HiFocus® 440i  
PerCut® 200 / PerCut® 210 / PerCut® 450M / PerCut® 451M

Item	Part No.	Ref. No.	Sh.Ref.No.	Description	Std. Pkg.	Item	Part No.	Ref. No.	Sh.Ref.No.	Description	Std. Pkg.	
1.	T-11221	11.848.201.081	G501	Protection Cap 20–200A	1	ⓐ20.	T-11356	11.848.221.412-UR	G2012Y	Nozzle 1,2mm 130A	1	
	T-12010	11.852.201.081	G502	P. Cap 20–200A, PerCut® 451M	1	ⓐ21.	T-11357	11.848.221.414-UR	G2014Y	Nozzle 1,4mm 160A	1	
2.	T-11227	11.848.401.081	G521	Protection Cap 280–400A	1	ⓐ22.	T-11358	11.848.221.416-UR	G2016Y	Nozzle 1,6mm 200A	1	
	T-12011	11.852.401.081	G522	P. Cap 280–440A, PerCut® 451M	1	ⓐ	T-11835	11.848.221.417-UR	G2017Y	Nozzle 1,7mm 200A	1	
ⓐ3.	T-11368	11.848.201.1515-UR	G4015	Swirl Gas Cap 20A	10	ⓑ23.	T-11359	11.848.421.426-UR	G2326Y	Nozzle 2,6mm 280A	1	
ⓐ4.	T-11369	11.848.201.1520-UR	G4020	Swirl Gas Cap 35/60A	10	ⓑ24.	T-11360	11.848.421.430-UR	G2330Y	Nozzle 3,0mm 360A	1	
ⓐ5.	T-11371	11.848.201.1525-UR	G4025	Swirl Gas Cap 90A	10	ⓑ25.	T-11361	11.848.421.431-UR	G2331Y	Nozzle 3,1mm 400A	1	
ⓐ6.	T-11370	11.848.201.1522-UR	G4022	Swirl Gas Cap 130A	10	26.	T-11223	11.848.221.145	G101	Swirl Ring	1	
ⓐ7.	T-11372	11.848.201.1530-UR	G4030	Swirl Gas Cap 90–200A	10	27.	T-11224	11.848.221.146	G102	Swirl Ring	1	
ⓐ	T-11968	11.848.201.1535-UR	G4035	Swirl Gas Cap 200A	1	28.	T-11230	11.848.421.145	G121	Swirl Ring	1	
ⓐ	T-11969	11.848.201.1540-UR	G4040	Swirl Gas Cap 200A	1		T-11231	11.848.421.149	G125	Swirl Ring	1	
ⓑ8.	T-11373	11.848.401.1550-UR	G4350	Swirl Gas Cap 280–400A	1	29.	T-11225*	11.848.221.300-AG	G002Y	Cathode, SilverEX®	5	
ⓑ9.	T-11374	11.848.401.1555-UR	G4355	Swirl Gas Cap 360–400A	1	30.	T-11226*	11.848.221.310-AG	G003Y	Cathode, SilverEX®	5	
ⓐ10.	T-11362	11.848.201.1604-UR	G3004	Retaining Cap 20–35A	1	NEW	31.	T-11858	11.848.231.320-PRO	G011Y	Cathode, Silver PRO	5
ⓐ11.	T-11363	11.848.201.1628-UR	G3028	Retaining Cap 60–200A	1	NEW	32.	T-11859	11.848.231.350-PRO	G015Y	Cathode, Silver PRO	5
ⓑ12.	T-11367	11.848.401.1649-UR	G3249	Retaining Cap 280/400A	1	NEW	33.	T-11860	11.848.231.360-PRO	G016Y	Cathode, Silver PRO	5
ⓑ13.	T-11365	11.848.401.1619-UR	G3219	Retaining Cap 280–400A	1	34.	T-11232*	11.848.421.310-AG	G032Y	Cathode, SilverEX®	5	
ⓑ14.	T-11366	11.848.401.1629-UR	G3229	Retaining Cap 360/400A	1	35.	T-11233*	11.848.421.330-AG	G034Y	Cathode, SilverEX®	5	
ⓑ15.	T-11364	11.848.401.1609-UR	G3209	Retaining Cap 360/400A	1	36.	T-11222	11.848.201.142	G901Y	Cooling Tube 20–200A	1	
ⓐ16.	T-11352	11.848.221.406-UR	G2006Y	Nozzle 0,6mm 20A	1	NEW	37.	T-11847	11.852.201.142	G902Y	Cooling Tube	1
ⓐ17.	T-11353	11.848.221.407-UR	G2007Y	Nozzle 0,7mm 35A	1	38.	T-11228	11.848.401.142	G931Y	Cooling Tube 280–400A	1	
ⓐ18.	T-11354	11.848.221.408-UR	G2008Y	Nozzle 0,8mm 60A	1	39.	T-11322	12.40320		Wrench for Swirl Ring	1	
ⓐ19.	T-11355	11.848.221.410-UR	G2010Y	Nozzle 1,0mm 90A	1	40.	Coolant Liquid. Details on the Accessories page.					

\* FULLY INTERCHANGEABLE AND COMPATIBLE WITH ORIGINAL PARTS, BUT DIFFERS FROM ORIGINAL DESIGN  
ⓐ ⓑ MUST BE USED ONLY AS A SET OF SWIRL GAS CAP, RETAINING CAP AND NOZZLE, THIS COMPLETE SET IS INTERCHANGEABLE AND COMPATIBLE WITH ORIGINAL PARTS

THERMACUT DESIGN IS PROTECTED BY UTILITY PATENT

-PRO SILVER PRO TECHNOLOGY INCREASES ELECTRODE LIFETIME SIGNIFICANTLY COMPARED TO STANDARD COPPER ELECTRODES  
SMART SOLUTION - DESIGN IMPROVEMENTS THAT BRINGS ADDED VALUE SUCH AS IMPROVED LIFETIME OF CONSUMABLES, EXCELLENT CUT QUALITY, SPEED OR BETTER COST EFFECTIVENESS OF YOUR SYSTEM

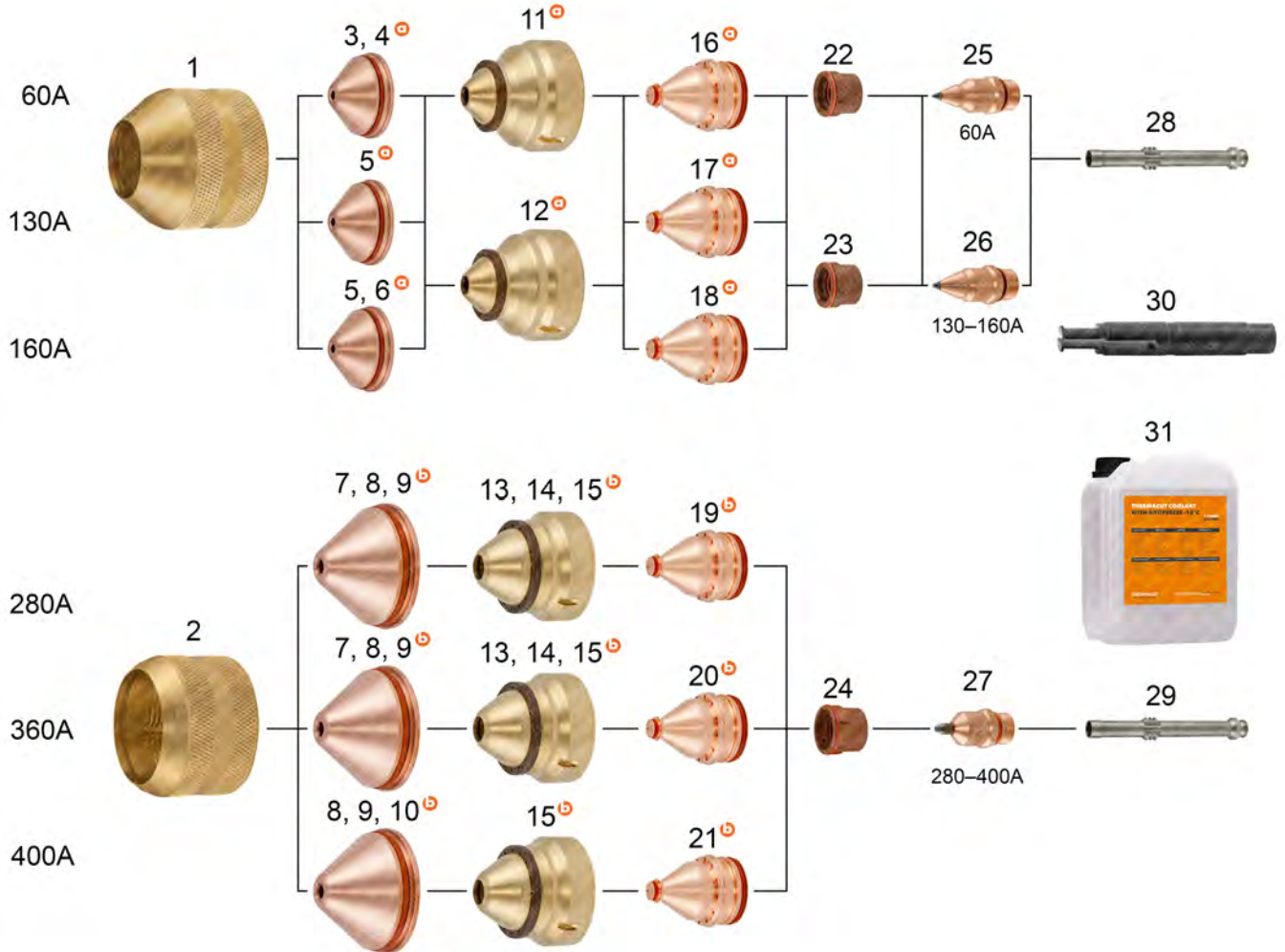
THERMACUT®, FHT-EX® AND EX-TRAFIRE® ARE REGISTERED TRADEMARKS OF THERMACUT, K. S. AND MAY BE REGISTERED IN CZECH REPUBLIC AND/OR OTHER COUNTRIES. ALL OTHER TRADEMARKS ARE PROPERTIES OF THEIR RESPECTIVE OWNERS. THERMACUT IS NO WAY AFFILIATED WITH KJELLBERG®. MOST THERMACUT PARTS ARE MADE FOR OR BY AN IBG COMPANY. PARTS INDICATED WITH A OEM ARE ORIGINAL PARTS MANUFACTURED BY THE ABOVE NAMED MANUFACTURER AND ARE BEING RESOLD BY THERMACUT. THERMACUT RESERVES THE RIGHT TO SUBSTITUTE OEM PARTS IN PLACE OF THERMACUT PARTS.  
VALID FROM JULY 2017 • PREVIOUS VERSION IS NO LONGER VALID. • © COPYRIGHT 2017 BY THERMACUT® CZECH REPUBLIC. ALL RIGHTS RESERVED.



# REPLACEMENT PARTS SUITABLE FOR

## KJELLBERG®

HiFocus® 160i, HiFocus® 161i, HiFocus® 280i, HiFocus® 360i, HiFocus® 440i  
 PerCut® 200 / 201 / 210 / 211 / 450M / 451M stainless steel



## REPLACEMENT PARTS SUITABLE FOR

# KJELLBERG®

HiFocus® 160i, HiFocus® 161i, HiFocus® 280i, HiFocus® 360i, HiFocus® 440i  
PerCut® 200 / 201 / 210 / 211 / 450M / 451M stainless steel



PRODUCT BROCHURE WITH DETAILS AT  
WWW.THERMACUT.COM

Item	Part No.	Ref. No.	Sh.Ref.No.	Description	Std. Pkg.	Item	Part No.	Ref. No.	Sh.Ref.No.	Description	Std. Pkg.
1.	T-11221	11.848.201.081	G501	Protection Cap 60–160A	1	ⓐ 17.	T-12006	11.848.311.614-UR	G2514	Nozzle 1,4mm 130A (i)	1
2.	T-11227	11.848.401.081	G521	Protection Cap 280–440A	1	ⓐ 18.	T-12007	11.848.311.615-UR	G2515	Nozzle 1,5mm 160A (i)	1
ⓐ 3.	T-11370	11.848.201.1522-UR	G4022	Swirl Gas Cap 60A (1–5mm)	10	ⓐ 19.	T-11995	11.848.411.625-UR	G2725	Nozzle 2,5mm 280A (i)	1
ⓐ 4.	T-11371	11.848.201.1525-UR	G4025	Swirl Gas Cap 60A (6mm)	10	ⓐ 20.	T-12009	11.848.411.627-UR	G2727	Nozzle 2,7mm 360A (i)	1
ⓐ 5.	T-11372	11.848.201.1530-UR	G4030	Swirl Gas Cap 130/160A (5–20mm)	10	ⓐ 21.	T-12005	11.848.411.629-UR	G2729	Nozzle 2,9mm 440A (i)	1
ⓐ 6.	T-11968	11.848.201.1535-UR	G4035	Swirl Gas Cap 160A (12–15mm)	10	22.	T-11223	11.848.221.145	G101	Swirl Ring 60A	1
ⓐ 7.	T-12001	11.848.401.1535-UR	G4335	Swirl Gas Cap 280/360A (15–30mm)	1	23.	T-11998	11.848.221.149	G105	Swirl Ring 130/160A	1
ⓐ 8.	T-12003	11.848.401.1540-UR	G4340	Swirl Gas Cap 280–440A (20–40mm)	1	24.	T-11231	11.848.421.149	G125	Swirl Ring 280–440A	1
ⓐ 9.	T-12002	11.848.401.1545-UR	G4345	Swirl Gas Cap 280–440A (40–80mm)	1	25.	T-12000	11.848.211.510	G042	Cathode 60A (i)	5
ⓐ 10.	T-11373	11.848.401.1550-UR	G4350	Swirl Gas Cap 440A (80–120mm)	1	26.	T-11999	11.848.311.510	G052	Cathode 130/160A (i)	5
ⓐ 11.	T-11997	11.848.201.1608-UR	G3008	Retaining Cap 35–80A (1–10mm)	1	27.	T-12004	11.848.411.500	G071	Cathode 280–440A (i)	5
ⓐ 12.	T-11996	11.848.201.1618-UR	G3018	Retaining Cap 130/160A (5–20mm)	1	28.	T-12008	11.848.211.142	G941	Cooling Tube 60–160A	1
ⓐ 13.	T-11366	11.848.401.1629-UR	G3229	Retaining Cap 280/360A (15–20mm)	1	29.	T-11229	11.848.411.142	G971	Cooling Tube 280–440A	1
ⓐ 14.	T-11365	11.848.401.1619-UR	G3219	Retaining Cap 280/360A (20–30mm)	1	30.	T-11322	12.40320		Wrench for Swirl Ring	1
ⓐ 15.	T-11364	11.848.401.1609-UR	G3209	Retaining Cap 280/440A (40–120mm)	1	31.	Coolant Liquid. Details on Accessories page.				
ⓐ 16.	T-11355	11.848.221.410-UR	G2010Y	Nozzle 1,0mm 60A (i)	1						

\* FULLY INTERCHANGEABLE AND COMPATIBLE WITH ORIGINAL PARTS, BUT DIFFERS FROM ORIGINAL DESIGN

(i) THIS PARTS MAY NOT BE DISTRIBUTED ON THE GERMAN MARKET. THERMACUT ACCEPTS NO RESPONSIBILITY IN CASE OF INDIRECT SALES TO GERMANY.

ⓐ / ⓑ MUST BE USED ONLY AS A SET OF SWIRL GAS CAP, RETAINING CAP AND NOZZLE, THIS COMPLETE SET IS INTERCHANGEABLE AND COMPATIBLE WITH ORIGINAL PARTS

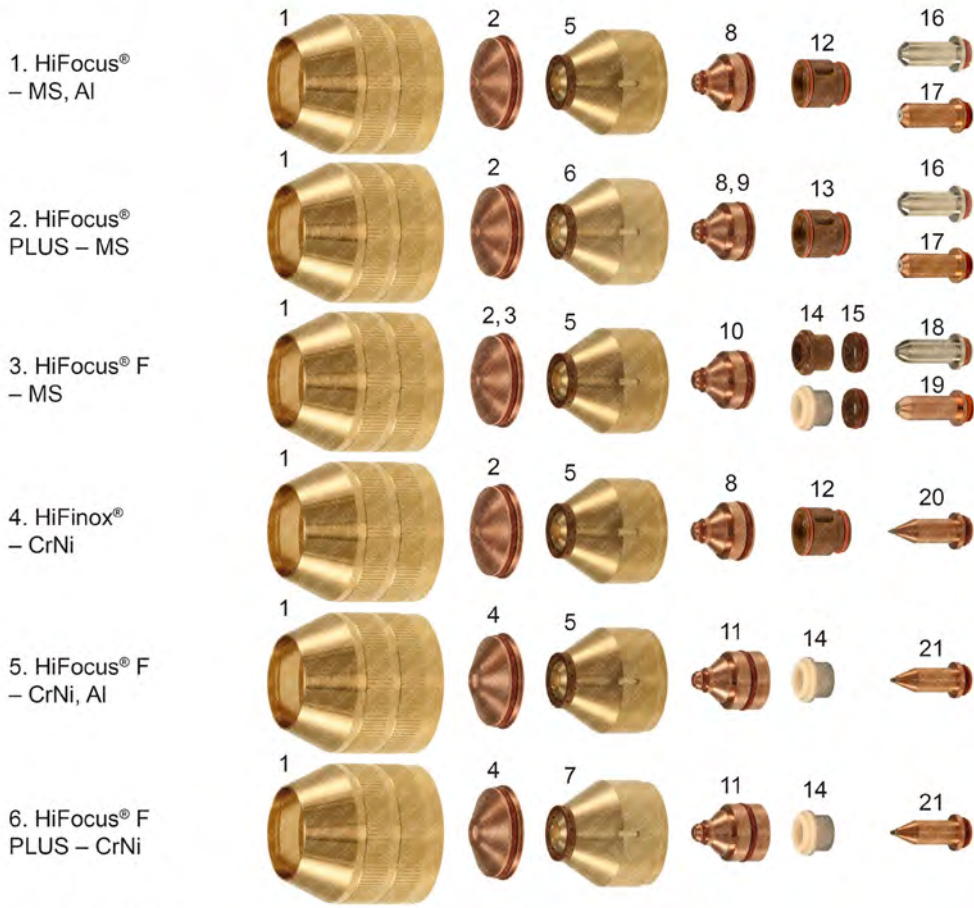
THERMACUT DESIGN IS PROTECTED BY UTILITY PATENT

-PRO SILVER PRO TECHNOLOGY INCREASES ELECTRODE LIFETIME SIGNIFICANTLY COMPARED TO STANDARD COPPER ELECTRODES  
SMART SOLUTION – DESIGN IMPROVEMENTS THAT BRINGS ADDED VALUE SUCH AS IMPROVED LIFETIME OF CONSUMABLES,  
EXCELLENT CUT QUALITY, SPEED OR BETTER COST EFFECTIVENESS OF YOUR SYSTEM

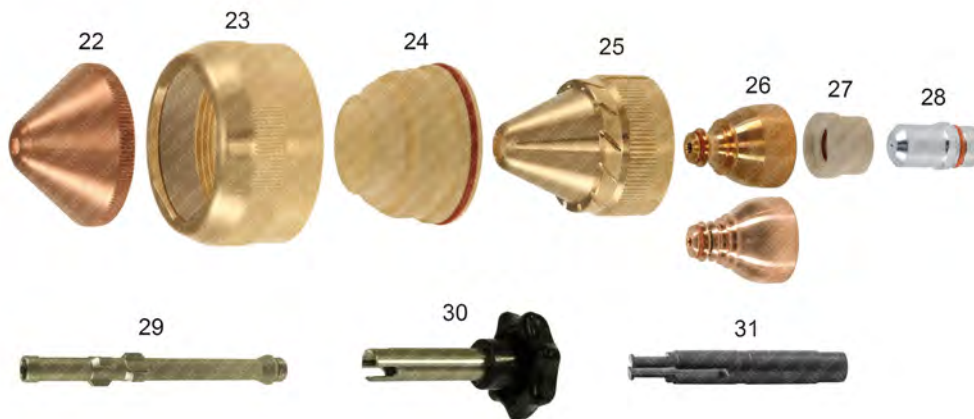
# REPLACEMENT PARTS SUITABLE FOR KJELLBERG®

HiFocus® 280 / HiFocus® 360, HiFocus® 440  
PerCut® 370.1, PerCut® 370.2

## PerCut® 370.1



## PerCut® 370.2



THERMACUT®, FHT-EX® AND EX-TRAFIRE® ARE REGISTERED TRADEMARKS OF THERMACUT, K. S. AND MAY BE REGISTERED IN CZECH REPUBLIC AND/OR OTHER COUNTRIES. ALL OTHER TRADEMARKS ARE PROPERTIES OF THEIR RESPECTIVE OWNERS. THERMACUT IS NO WAY AFFILIATED WITH KJELLBERG®. MOST THERMACUT PARTS ARE MADE FOR OR BY AN IBG COMPANY. PARTS INDICATED WITH A OEM ARE ORIGINAL PARTS MANUFACTURED BY THE ABOVE NAMED MANUFACTURER AND ARE BEING RESOLD BY THERMACUT. THERMACUT RESERVES THE RIGHT TO SUBSTITUTE OEM PARTS IN PLACE OF THERMACUT PARTS. VALID FROM JULY 2017 • PREVIOUS VERSION IS NO LONGER VALID. • © COPYRIGHT 2017 BY THERMACUT® CZECH REPUBLIC. ALL RIGHTS RESERVED.

# REPLACEMENT PARTS SUITABLE FOR KJELLBERG®

HiFocus® 280 / HiFocus® 360, HiFocus® 440  
PerCut® 370.1, PerCut® 370.2

Item	Part No.	Ref. No.	Sh.Ref.No.	Description	Std. Pkg.	Item	Part No.	Ref. No.	Sh.Ref.No.	Description	Std. Pkg.
1.	T-8630	11.835.201.081	Z501	Protection Cap	1		T-10006	11.843.021.414	S2014X	Nozzle 1,4 130/160A	10
2.	T-8631	11.835.201.1561	Z4015	Swirl Gas Cap 1,5	10		T-10007	11.843.021.416	S2016X	Nozzle 1,6 160A	10
	T-8632	11.835.201.1571	Z4020	Swirl Gas Cap 2,0	10	10.	T-10008	11.843.121.412	S2112X	Nozzle 1,2 100A	10
	T-8885	11.835.201.1551	Z4022	Swirl Gas Cap 2,2	10		T-10009	11.843.121.414	S2114X	Nozzle 1,4 130A	10
	T-8633	11.835.201.1581	Z4025	Swirl Gas Cap 2,5	10		T-10010	11.843.121.416	S2116X	Nozzle 1,6 160A	10
	T-8634	11.835.201.1591	Z4030	Swirl Gas Cap 3,0	10	11.	T-10011	11.843.111.614	S2514X	Nozzle 1,4 120A	5
3.	T-8650	11.835.401.1571	Z4140	Swirl Gas Cap 4,0	10		T-9926	11.843.111.616	S2516X	Nozzle 1,6 140A	5
4.	T-9928	11.835.411.1581	Z4530	Swirl Gas Cap 3,0	10		T-9927	11.843.111.618	S2518X	Nozzle 1,8 160A	5
	T-10153	11.835.411.1580	Z4535	Swirl Gas Cap 3,5	1	12.	T-8623	11.835.221.153	Z101	Swirl Ring 0,4 (3xcw)	1
	T-9929	11.835.411.1591	Z4540	Swirl Gas Cap 4,0	1	13.	T-8886	11.835.221.154	Z102	Swirl Ring 0,4 (2xcw)	1
5.	T-8887	11.842.401.160	S3004	Nozzle Cap 0,4	1	14.	T-9287	11.834.321.153K	Z111	Swirl Ring – ceramic	1
	T-8888	11.842.401.162	S3008	Nozzle Cap 0,8	1		T-8618	11.834.321.153	Z111	Swirl Ring – vespel	1
6.	T-8889	11.842.401.1622	S3028	Nozzle Cap 0,8	1		T-10380	11.834.321.153 OEM	Z111	Swirl Ring	1
	T-10208	11.842.401.1624	S3048	Nozzle Cap 0,8	1	15.	T-8655	11.835.421.303	Z111A	Spacer	2
7.	T-10328	11.842.401.1621	S3018	Nozzle Cap 0,8	1	16.	T-4920	11.843.021.320-AG	S002Y	Cathode SilverEX®	5
8.	T-10000	11.843.021.406	S2006X	Nozzle 0,6 25A	10	17.	T-11204**	11.843.021.320-PRO	S002Y	Cathode, Silver PRO	5
	T-10001	11.843.021.407	S2007X	Nozzle 0,7 35A	10	18.	T-4924	11.843.121.310-AG	S012X	Cathode SilverEX®	5
9.	T-10002	11.843.021.408	S2008X	Nozzle 0,8 50/60A	10	19.	T-11853**	11.843.121.310-PRO	S012X	Cathode, Silver PRO	5
	T-10003	11.843.021.409	S2009X	Nozzle 0,9 70/80A	10	20.	T-9924	11.842.411.510	S042	Cathode, HiFinox™ (i)	5
	T-10004	11.843.021.410	S2010X	Nozzle 1,0 80/90A	10	21.	T-9925	11.842.511.510	S052	Cathode, FineFocus® (i)	5
	T-9699	11.843.021.411	S2011X	Nozzle 1,1 90/100A	10	31.	T-11322	12.40320		Wrench for Swirl Ring	1
	T-10005	11.843.021.412	S2012X	Nozzle 1,2 100/130A	10						

## PerCut® 370.2

Item	Part No.	Ref. No.	Sh.Ref.No.	Description	Std. Pkg.	Item	Part No.	Ref. No.	Sh.Ref.No.	Description	Std. Pkg.
22.	T-10591	11.833.101.1550	V4330	Swirl Gas Cap 3,0	1		T-10563	11.846.921.430	T2130Y	Nozzle O <sub>2</sub> 360A, repl.11.836.921.430 (i)	10
	T-10220	11.833.101.155	V4335	Swirl Gas Cap 3,5	1		T-10927**	11.846.921.415-UR	T2115Y	Nozzle O <sub>2</sub> 120A, repl.11.836.921.415	5
	T-10221	11.833.101.156	V4340	Swirl Gas Cap 4,0	1		T-10928**	11.846.921.420-UR	T2120Y	Nozzle O <sub>2</sub> 200A, repl.11.836.921.420	10
	T-10222	11.833.101.157	V4345	Swirl Gas Cap 4,5	1		T-10929**	11.846.921.425-UR	T2125Y	Nozzle O <sub>2</sub> 250A, repl.11.836.921.425	10
	T-10223	11.833.101.158	V4350	Swirl Gas Cap 5,0	1		T-10930**	11.846.921.427-UR	T2127Y	Nozzle O <sub>2</sub> 300A, repl.11.836.921.427	10
	T-10224	11.833.101.159	V4360	Swirl Gas Cap 6,0	1		T-10931**	11.846.921.430-UR	T2130Y	Nozzle O <sub>2</sub> 360A, repl.11.836.921.430	5
NS	T-11810	11.833.111.159	V4560	Swirl Gas Cap 6,0	1	27.	T-10466	11.836.921.1542	T104	Swirl Ring (3x0,4 cw)	1
23.	T-10470	11.841.721.081	T502	Protection Cap PerCut® 370.2	1		T-10366	11.836.921.153 OEM	T101	Swirl Ring (6x0,8 cw)	1
24.	N-18267	11.836.921.271	T522	Insulator PerCut® 370.2	1		T-10672	11.836.921.153	T101	Swirl Ring (6x0,8 cw)	1
24a.	N-18371	N-18371		O-Ring	1		T-10367	11.836.921.1531 OEM	T111	Swirl Ring (6x0,8 ccw)	1
25.	T-10214	11.836.901.163	T3030	Nozzle Cap (12x1,5 30° cw)	1		T-10464	11.836.921.154	T102	Swirl Ring (3x0,8 cw)	5
	T-10215	11.836.901.164	T3045	Nozzle Cap (12x1,5 45° cw)	1		T-10465	11.836.921.1541	T112	Swirl Ring (3x0,8 ccw)	5
	T-10217	11.836.901.1641	T3145	Nozzle Cap (12x1,5 45° ccw)	1		TN-0004	11.836.921.153	T101	Swirl Ring (6x0,8 cw)	1
	T-10216	11.836.901.165	T3060	Nozzle Cap (12x1,5 60° cw)	1	28.	T-10804	11.844.921.300-AG	T012Y	SilverEX® Cathode, use with T902Y	5
26.	T-10559	11.846.921.415	T2115Y	Nozzle O <sub>2</sub> 120A, repl.11.836.921.415 (i)	10	29.	T-10558	11.844.901.152	T902Y	Cooling Tube, use with T012Y	1
	T-10560	11.846.921.420	T2120Y	Nozzle O <sub>2</sub> 200A, repl.11.836.921.420 (i)	10	30.	T-10564	12.38180		Wrench For Cooling Tube	1
	T-10561	11.846.921.425	T2125Y	Nozzle O <sub>2</sub> 250A, repl.11.836.921.425 (i)	10	31.	T-11322	12.40320		Wrench for Swirl Ring	1
	T-10562	11.846.921.427	T2127Y	Nozzle O <sub>2</sub> 300A, repl.11.836.921.427 (i)	10						

(i) THIS PART MAY NOT BE DISTRIBUTED ON THE GERMAN MARKET. THERMACUT ACCEPTS NO RESPONSIBILITY IN CASE OF INDIRECT SALES TO GERMANY.

\*\* A UNIQUE DESIGN WHICH ENHANCES PERFORMANCE AND DIFFERS FROM OEM DESIGNS

CCW COUNTER CLOCK WISE GAS SWIRLING, USE OF CCW PARTS WILL MAKE CUT ANGLE ON THE OPPOSITE SIDE, THAN WITH STANDARD CLOCK WISE (CW) SWIRLING PARTS.

-PRO TECHNOLOGY OF SILVER INSERTED COPPER ELECTRODE BODY, WHICH SIGNIFICANTLY DECREASES ELECTRODE COSTS WITH SIMILAR WORK PERFORMANCE COMPARED TO FULL SILVER ELECTRODES.

THERMACUT®, FHT-EX® AND EX-TRAFIRE® ARE REGISTERED TRADEMARKS OF THERMACUT, K. S. AND MAY BE REGISTERED IN CZECH REPUBLIC AND/OR OTHER COUNTRIES. ALL OTHER TRADEMARKS ARE PROPERTIES OF THEIR RESPECTIVE OWNERS. THERMACUT IS NO WAY AFFILIATED WITH KJELLBERG®.

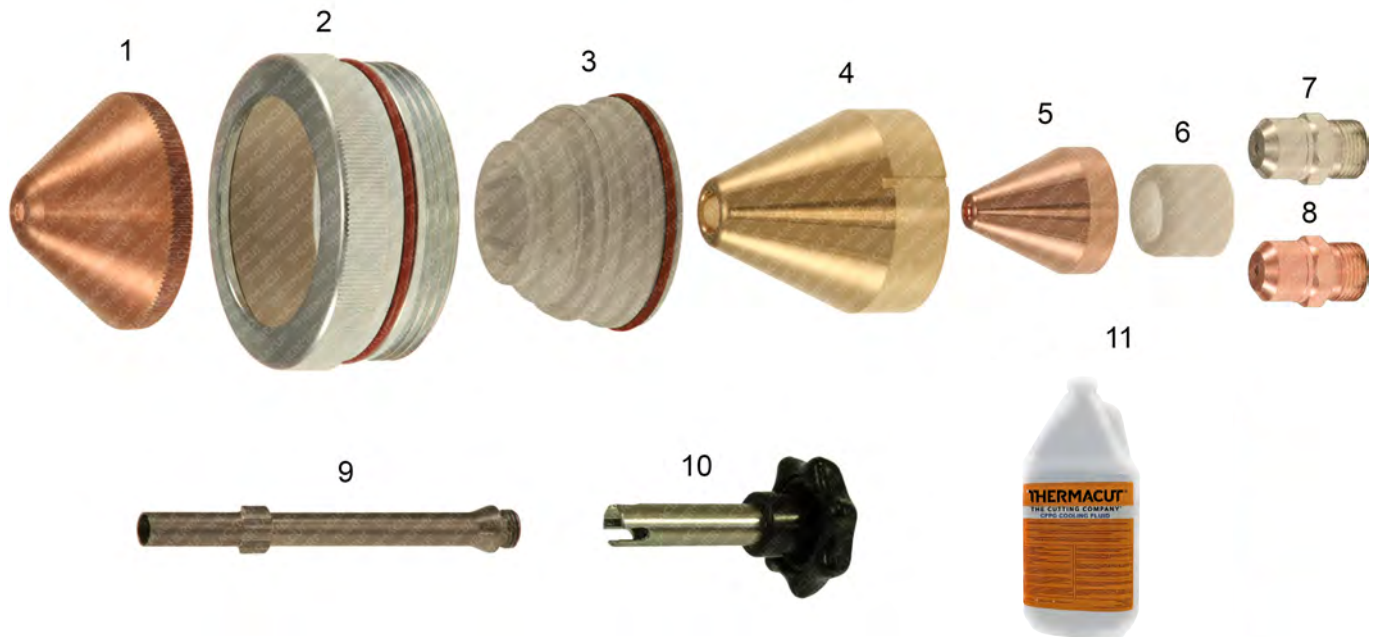
MOST THERMACUT PARTS ARE MADE FOR OR BY AN IBG COMPANY. PARTS INDICATED WITH A OEM ARE ORIGINAL PARTS MANUFACTURED BY THE ABOVE NAMED MANUFACTURER AND ARE BEING RESOLD BY THERMACUT. THERMACUT RESERVES THE RIGHT TO SUBSTITUTE OEM PARTS IN PLACE OF THERMACUT PARTS.

VALID FROM JULY 2017 • PREVIOUS VERSION IS NO LONGER VALID. © COPYRIGHT 2017 BY THERMACUT® CZECH REPUBLIC. ALL RIGHTS RESERVED.



# REPLACEMENT PARTS SUITABLE FOR KJELLBERG®

FineFocus® 800 / FineFocus® 900  
PA-S75™/PB-S75™/PB-S76™/PB-S77™

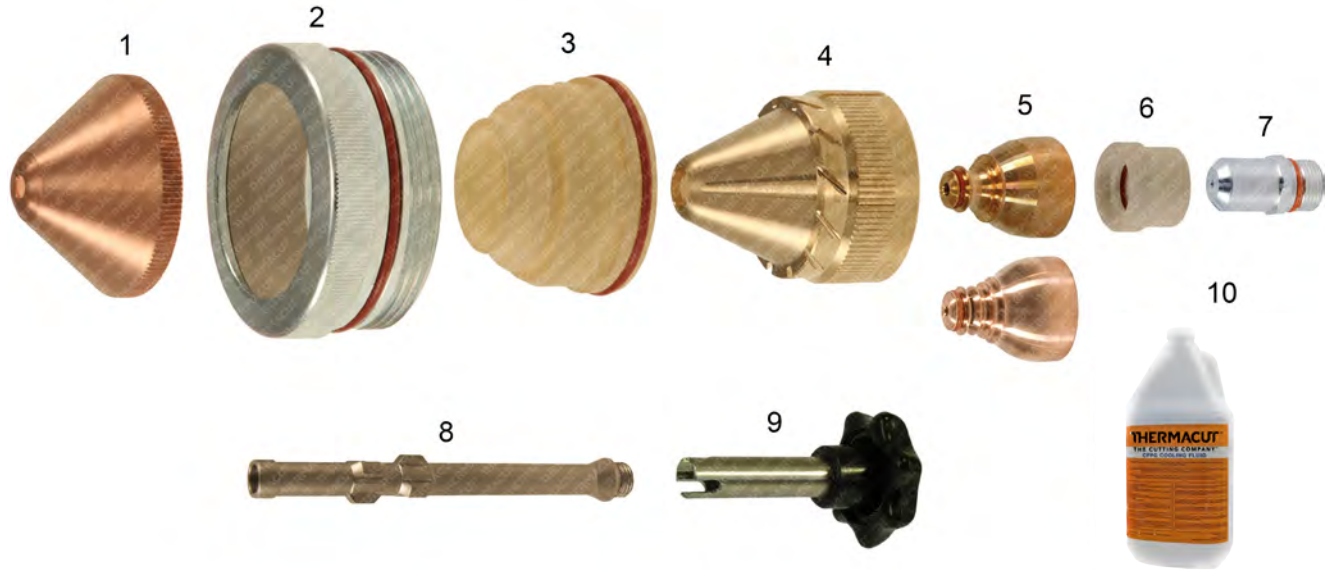


Item	Part No.	Ref. No.	Sh.Ref.No.	Description	Std. Pkg.	Item	Part No.	Ref. No.	Sh.Ref.No.	Description	Std. Pkg.
1.	T-10591	11.833.101.1550	V4330	Swirl Gas Cap 3,0	1	5.	T-8927	11.828.901.420	L1 XL	Nozzle Air/O <sub>2</sub> 160A	10
	T-10220	11.833.101.155	V4335	Swirl Gas Cap 3,5	1		T-11301	11.828.901.425	L2 XL	Nozzle Air/O <sub>2</sub> 250	10
	T-10221	11.833.101.156	V4340	Swirl Gas Cap 4,0	1		T-10247	11.828.901.427	L4XL	Nozzle Air/O <sub>2</sub> 300A	5
	T-10222	11.833.101.157	V4345	Swirl Gas Cap 4,5	1		T-10588	12.40850	L2	Nozzle 250A PB-S75™ WH	5
	T-10223	11.833.101.158	V4350	Swirl Gas Cap 5,0	1		T-11569	12.43050 OEM	L1	Nozzle 160A PB-S75™ WH	1
	T-10224	11.833.101.159	V4360	Swirl Gas Cap 6,0	1	6.	T-10369	12.40860		Swirl Ring Air/O <sub>2</sub> PB-S75™	5
2.	T-10357	11.833.101.261 OEM	V501	Protection Cap PB-S76™/PB-S77™	1	7.	T-4932	11.828.921.300-AG	K2-XL	Cathode SilverEX® O <sub>2</sub> /Air PB-S76™; PB-S75™	5
NS	T-10361	11.828.401.265 OEM		Protection Cap PB-S76™/PB-S77™	1		T-4933	11.833.121.300-AG	K3-XL	Cathode SilverEX® O <sub>2</sub> /Air PB-S77™	5
3.	N-18266	11.836.901.271	T521	Insulator	1	8.	T-10225	12.40870	K2	Cathode Air/O <sub>2</sub> PB-S75™ WH	10
3a.	N-18371	N-18371		O-Ring	1	9.	T-10371	12.51440 OEM		Cooling Tube PB-S75™	1
NS	T-10364	11.828.401.275 OEM		PTFE Cover PB-S76™/PB-S77™	1	10.	T-10564	12.38180		Wrench For Cooling Tube	1
4.	T-10219	12.37790		Nozzle Cap PB-S75™	1	11.				Coolant Liquid. Details on Accessories page.	

THERMACUT®, FHT-EX® AND EX-TRAFIRE® ARE REGISTERED TRADEMARKS OF THERMACUT, K. S. AND MAY BE REGISTERED IN CZECH REPUBLIC AND/OR OTHER COUNTRIES. ALL OTHER TRADEMARKS ARE PROPERTIES OF THEIR RESPECTIVE OWNERS. THERMACUT IS NO WAY AFFILIATED WITH KJELLBERG®. MOST THERMACUT PARTS ARE MADE FOR OR BY AN IBG COMPANY. PARTS INDICATED WITH A OEM ARE ORIGINAL PARTS MANUFACTURED BY THE ABOVE NAMED MANUFACTURER AND ARE BEING RESOLD BY THERMACUT. THERMACUT RESERVES THE RIGHT TO SUBSTITUTE OEM PARTS IN PLACE OF THERMACUT PARTS. VALID FROM JULY 2017 • PREVIOUS VERSION IS NO LONGER VALID. © COPYRIGHT 2017 BY THERMACUT® CZECH REPUBLIC. ALL RIGHTS RESERVED.

# REPLACEMENT PARTS SUITABLE FOR KJELLBERG®

FineFocus® 800 / FineFocus® 900  
PB-S80™



Item	Part No.	Ref. No.	Sh.Ref.No.	Description	Std. Pkg.	Item	Part No.	Ref. No.	Sh.Ref.No.	Description	Std. Pkg.
1.	T-10591	11.833.101.1550	V4330	Swirl Gas Cap 3,0	1		T-10562	11.846.921.427	T2127Y	Nozzle O <sub>2</sub> 300A, repl.11.836.921.427 (i)	10
	T-10220	11.833.101.155	V4335	Swirl Gas Cap 3,5	1		T-10563	11.846.921.430	T2130Y	Nozzle O <sub>2</sub> 360A, repl.11.836.921.430 (i)	10
	T-10221	11.833.101.156	V4340	Swirl Gas Cap 4,0	1		T-10927**	11.846.921.415-UR	T2115Y	Nozzle O <sub>2</sub> 120A, repl.11.836.921.415	5
	T-10222	11.833.101.157	V4345	Swirl Gas Cap 4,5	1		T-10928**	11.846.921.420-UR	T2120Y	Nozzle O <sub>2</sub> 200A, repl.11.836.921.420	10
	T-10223	11.833.101.158	V4350	Swirl Gas Cap 5,0	1		T-10929**	11.846.921.425-UR	T2125Y	Nozzle O <sub>2</sub> 250A, repl.11.836.921.425	10
	T-10224	11.833.101.159	V4360	Swirl Gas Cap 6,0	1		T-10930**	11.846.921.427-UR	T2127Y	Nozzle O <sub>2</sub> 300A, repl.11.836.921.427	10
2.	T-10997	11.833.121.271	OEM V522	Protection Cap	1		T-10931**	11.846.921.430-UR	T2130Y	Nozzle O <sub>2</sub> 360A, repl.11.836.921.430	5
	T-10998	11.833.121.261	OEM V502	Protection Cap	1	6.	T-10466	11.836.921.1542	T104	Swirl Ring (3x0,4 cw)	1
	T-10357	11.833.101.261	OEM V501	Protection Cap	1		T-10366	11.836.921.153	OEM T101	Swirl Ring (6x0,8 cw)	1
3.	N-18267	11.836.921.271		Insulator	1		T-10672	11.836.921.153	T101	Swirl Ring (6x0,8 cw)	1
	N-18266	11.836.901.271	T521	Insulator	1		T-10367	11.836.921.1531	OEM T111	Swirl Ring (6x0,8 ccw)	1
3a.	N-18371	N-18371		O-Ring	1		T-10464	11.836.921.154	T102	Swirl Ring (3x0,8 cw)	5
4.	T-10214	11.836.901.163	T3030	Nozzle Cap (12x1,5 30°cw)	1		T-10465	11.836.921.1541	T112	Swirl Ring (3x0,8 ccw)	5
	T-10215	11.836.901.164	T3045	Nozzle Cap (12x1,5 45°cw)	1		TN-0004	11.836.921.153	T101	Swirl Ring (6x0,8 cw), ceramic	1
	T-10217	11.836.901.1641	T3145	Nozzle Cap (12x1,5 45°ccw)	1	7.	T-10804	11.844.921.300-AG	T012Y	SilverEX® Cathode, use with T902Y	5
	T-10216	11.836.901.165	T3060	Nozzle Cap (12x1,5 60°cw)	1	8.	T-10467	11.828.911.230	V951	Cooling tube PB-S77™; PB-S80™	1
	T-10218	11.836.901.1651	T3160	Nozzle Cap (12x1,5 60° ccw)	1		T-10558	11.844.901.152	T902Y	Cooling Tube, use with T012Y	1
5.	T-10559	11.846.921.415	T2115Y	Nozzle O <sub>2</sub> 120A, repl.11.836.921.415 (i)	10	9.	T-10564	12.38180		Wrench For Cooling Tube	1
	T-10560	11.846.921.420	T2120Y	Nozzle O <sub>2</sub> 200A, repl.11.836.921.420 (i)	10	10.				Coolant Liquid. Details on Accessories page.	
5.	T-10561	11.846.921.425	T2125Y	Nozzle O <sub>2</sub> 250A, repl.11.836.921.425 (i)	10						

(i) THIS PART MAY NOT BE DISTRIBUTED ON THE GERMAN, ITALIAN, FRENCH AND GREAT BRITAIN MARKET. THERMACUT ACCEPTS NO RESPONSIBILITY IN CASE OF INDIRECT SALES TO GERMANY, ITALY, FRANCE AND GREAT BRITAIN.

\*\* A UNIQUE DESIGN WHICH ENHANCES PERFORMANCE AND DIFFERS FROM OEM DESIGNS

CCW COUNTER CLOCK WISE GAS SWIRLING, USE OF CCW PARTS WILL MAKE CUT ANGLE ON THE OPPOSITE SIDE, THAN WITH STANDARD CLOCK WISE (CW) SWIRLING PARTS.

THERMACUT®, FHT-EX® AND EX-TRAFIRE® ARE REGISTERED TRADEMARKS OF THERMACUT, K. S. AND MAY BE REGISTERED IN CZECH REPUBLIC AND/OR OTHER COUNTRIES. ALL OTHER TRADEMARKS ARE PROPERTIES OF THEIR RESPECTIVE OWNERS. THERMACUT IS NO WAY AFFILIATED WITH KJELLBERG®.

MOST THERMACUT PARTS ARE MADE FOR OR BY AN IBG COMPANY. PARTS INDICATED WITH A OEM ARE ORIGINAL PARTS MANUFACTURED BY THE ABOVE NAMED MANUFACTURER AND ARE BEING RESOLD BY THERMACUT. THERMACUT RESERVES THE RIGHT TO SUBSTITUTE OEM PARTS IN PLACE OF THERMACUT PARTS.

VALID FROM JULY 2017 • PREVIOUS VERSION IS NO LONGER VALID. • © COPYRIGHT 2017 BY THERMACUT® CZECH REPUBLIC. ALL RIGHTS RESERVED.

# REPLACEMENT PARTS SUITABLE FOR KOMATSU®

G990™, G9120™ TORCH, 90A  
RASOR® KCR-1251, 12714, 9714, 0951



Item	Part No.	Ref. No.	Description	Std. Pkg	Item	Part No.	Ref. No.	Description	Std. Pkg.
1.	T-2057	65-0434-016	Cap #2	1	7.	T-2061	65-0434-020	Guide	1
2.	T-4097	65-0442-005	Shield Cap	1	8.	T-2321	65-0442-001	Electrode	5
3.	T-2359	65-0442-004	Spacer Ring	1	9.	T-3421	65-0442-009	Cooling Tube, 120A	1
4.	T-2056	65-0434-015	Cap #1	1	10.	T-8818	7848-65-5620	Torch Body	1
5.	T-2054	65-0434-007	Nozzle, 1.1mm	5	11.	T-11198	969-94-61310	Tube	1
	T-2353	65-0442-002	Nozzle, 1.3	5	NS	KT-1414	K.G990.10M.K	G990™ Cable Leads 10m (33')	1
6.	T-9595	65-0434-018	Swirl Ring	2					

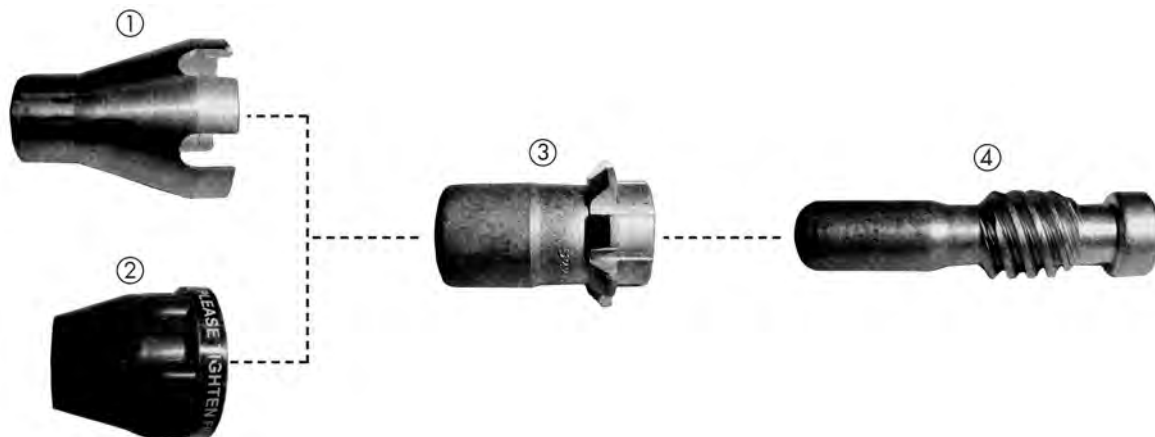
NS NOT SHOWN IN THE PICTURE

THERMACUT®, FHT-EX® AND EX-TRAFIRE® ARE REGISTERED TRADEMARKS OF THERMACUT, K. S. AND MAY BE REGISTERED IN CZECH REPUBLIC AND/OR OTHER COUNTRIES. ALL OTHER TRADEMARKS ARE PROPERTIES OF THEIR RESPECTIVE OWNERS. THERMACUT IS NO WAY AFFILIATED WITH KOMATSU®. MOST THERMACUT PARTS ARE MADE FOR OR BY AN IBG COMPANY. PARTS INDICATED WITH A OEM ARE ORIGINAL PARTS MANUFACTURED BY THE ABOVE NAMED MANUFACTURER AND ARE BEING RESOLD BY THERMACUT. THERMACUT RESERVES THE RIGHT TO SUBSTITUTE OEM PARTS IN PLACE OF THERMACUT PARTS. VALID FROM JULY 2017 • PREVIOUS VERSION IS NO LONGER VALID. • © COPYRIGHT 2017 BY THERMACUT® CZECH REPUBLIC. ALL RIGHTS RESERVED.

# REPLACEMENT PARTS SUITABLE FOR LINCOLN ELECTRIC®

PRO-CUT® 25/55/80

PCT20/80



Item	Part No.	Ref. No.	Description	System	Std. Pkg	Item	Part No.	Ref. No.	Description	System	Std. Pkg.
1.	T-2960	KP2065-1 OEM	Drag Cup	25, 55, 80	1		T-3544	KP2062-3B1 OEM	Nozzle .053	80	5
2.	T-11538	KP2064-1 OEM	Shield Cup	25, 55, 80	1		T-4194	KP2062-5B1 OEM	Nozzle, Gouging .082	80	5
3.	T-3536	KP2062-1B1 OEM	Nozzle .028	25	5	4.	T-11536	KP2063-1B1	Electrode	25, 55, 80	5
	T-11537	KP2062-2B1 OEM	Nozzle .043	55, 80	5						

THERMACUT®, FHT-EX® AND EX-TRAFIRE® ARE REGISTERED TRADEMARKS OF THERMACUT, K. S. AND MAY BE REGISTERED IN CZECH REPUBLIC AND/OR OTHER COUNTRIES. ALL OTHER TRADEMARKS ARE PROPERTIES OF THEIR RESPECTIVE OWNERS. THERMACUT IS NO WAY AFFILIATED WITH LINCOLN ELECTRIC®. MOST THERMACUT PARTS ARE MADE FOR OR BY AN IBG COMPANY. PARTS INDICATED WITH A OEM ARE ORIGINAL PARTS MANUFACTURED BY THE ABOVE NAMED MANUFACTURER AND ARE BEING RESOLD BY THERMACUT. THERMACUT RESERVES THE RIGHT TO SUBSTITUTE OEM PARTS IN PLACE OF THERMACUT PARTS. VALID FROM JULY 2017 • PREVIOUS VERSION IS NO LONGER VALID. • © COPYRIGHT 2017 BY THERMACUT® CZECH REPUBLIC. ALL RIGHTS RESERVED.



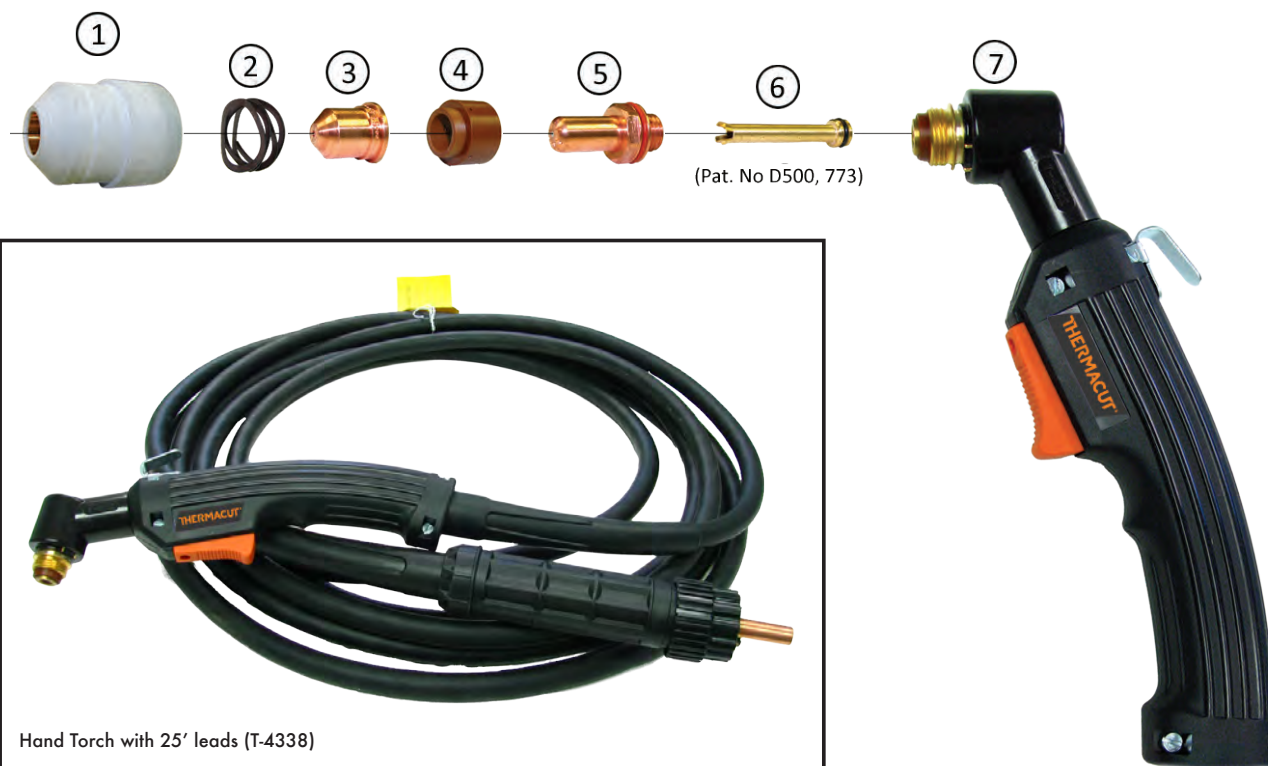
## REPLACEMENT PARTS SUITABLE FOR

# LINCOLN ELECTRIC®

### PTR-55L TORCH

## Replacement Torch Suitable for Lincoln® ProCut® 55

The PTR-55L Replacement Torch offers improved cut quality and longer consumable life.



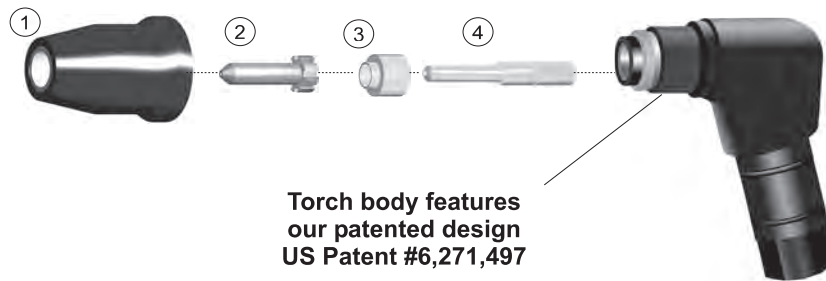
**Note: Torch and Lead Sets must originally be purchased together but may be replaced separately thereafter.**

Item	Part No.	Description	Std. Pkg	Item	Part No.	Description	Std. Pkg.
1.	T-4317	Retaining Cap, 55A	1	NS	T-4252	Electrode Wrench	1
2.	T-4226	Nozzle Spring	5	NS	T-4258	Stand-Off Guide	1
3.	T-4316	55A Nozzle	5	NS	T-4338	Hand Torch w/ 25' Leads	1
4.	T-4234	Swirl Ring	1	NS	T-4339	Hand Torch w/ 50' Leads	1
5.	T-4315	Electrode, 55/60A	5	NS	T-4340	Lead Set, 25'	1
6.	T-4254	Cooling Tube	5	NS	T-4341	Lead Set, 50'	1
7.	T-4222	Hand Torch	1				

THERMACUT®, FHT-EX® AND EX-TRAFIRE® ARE THE REGISTERED TRADEMARKS OF THERMACUT S.R.O. AND MAY BE REGISTERED IN THE CZECH REPUBLIC AND/OR OTHER COUNTRIES. ALL OTHER TRADEMARKS ARE PROPERTIES OF THEIR RESPECTIVE OWNERS. THERMACUT IS NO WAY AFFILIATED WITH LINCOLN ELECTRIC®. MOST THERMACUT PARTS ARE MADE FOR OR BY AN IBG COMPANY. PARTS INDICATED WITH OEM SUFFIX ARE ORIGINAL PARTS MANUFACTURED BY THE ABOVE-NAMED MANUFACTURER AND ARE BEING RESOLD BY THERMACUT. THERMACUT RESERVES THE RIGHT TO SUBSTITUTE OEM PARTS IN PLACE OF THERMACUT PARTS. VALID FROM OCTOBER 2015 • PREVIOUS VERSION IS NO LONGER VALID. THIS CATALOG IS VALID FOR USA CUSTOMERS ONLY. • © COPYRIGHT 2015 BY THERMACUT® CZECH REPUBLIC. ALL RIGHTS RESERVED.

# REPLACEMENT PARTS SUITABLE FOR THERMAL DYNAMICS®

## PCH-10 TORCH



Item	Part No	Ref. No.	Description	Std. Pkg	Item	Part No.	Ref. No	Description	Std. Pkg.
1.	T-0272	9-6003	Shield Cup	1	4.	T-0103	9-6006	Electrode	10
2.	T-2307	9-6099	Tip, 12 Amp	10	5.	T-0267**	9-5807DURA	Hand DURA Torch 70°	1
3.	T-0269	9-6007	Gas Distributor	5					

## PCH-25/38 TORCH

Item	Part No	Ref. No.	Description	Std. Pkg	Item	Part No.	Ref. No	Description	Std. Pkg.
1.	T-0272	9-6003	Shield Cup	1	T-1332	9-6507		Gas Distributor, Long Life	5
NS	T-0273	9-6004	Shield Cup, Crown, *9-6003 Req	1	4.	T-0103	9-6006	Electrode, Air	10
2.	T-1334	9-4476	Tip, Cutting	10	T-1333	9-6506		Electrode, Air, Long Life	10
	T-1331	9-6501	Tip, Drag, Long Life	10	5.	T-0267**	9-5807 DURA	Hand Torch (70)	1
3.	T-0269	9-6007	Gas Distributor	5					

## ACCESSORIES



## PCH-25/38 TORCH

Item	Part No	Ref. No.	Description	Std. Pkg	Item	Part No.	Ref. No	Description	Std. Pkg.
1.	T-1079	9-5857 OEM	Split Holder Kit (90)	1	NS	T-2900	2-0252	Torch 90° with Leads, 12.5'	1
	T-1617	9-6259 OEM	Split Holder (70)	1	NS	T-2901	2-0253	Torch 90° with Leads, 25'	1
2.	T-1040	9-5636-1	Handle with Switch	1	NS	T-0584	2-0380	Torch 70° with Leads, 12.5'	1
3.	T-1619	4-6067	Leads 12.5'	1	NS	T-0583	2-0381	Torch 70° with Leads, 25'	1
	T-1620	4-6068	Leads 25'	1	NS	T-0586	2-0382	Torch 90° with Leads, 12.5'	1
NS	T-1901	2-0250	Torch, 70° with Leads, 12.5'	1	NS	T-0585	2-0383	Torch 90° with Leads, 25'	1
NS	T-1902	2-0251	Torch 70° with Leads, 25'	1					

### VERIFY POWER SUPPLY WHEN ORDERING

\*\* A UNIQUE DESIGN WHICH ENHANCES PERFORMANCE AND DIFFERS FROM OEM DESIGNS

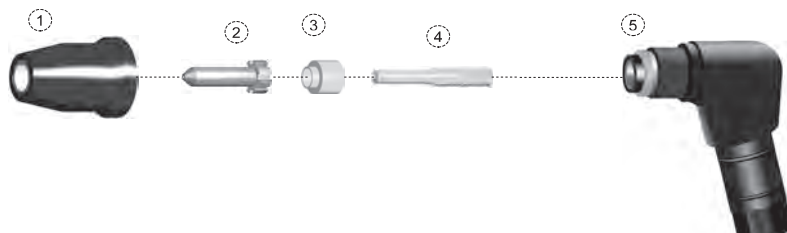
THERMACUT®, FHT-EX® AND EX-TRAFIRE® ARE REGISTERED TRADEMARKS OF THERMACUT, K. S. AND MAY BE REGISTERED IN CZECH REPUBLIC AND/OR OTHER COUNTRIES. ALL OTHER TRADEMARKS ARE PROPERTIES OF THEIR RESPECTIVE OWNERS. THERMACUT IS NO WAY AFFILIATED WITH Thermal Dynamics®.

MOST THERMACUT PARTS ARE MADE FOR OR BY AN IBG COMPANY. PARTS INDICATED WITH A OEM ARE ORIGINAL PARTS MANUFACTURED BY THE ABOVE NAMED MANUFACTURER AND ARE BEING RESOLD BY THERMACUT. THERMACUT RESERVES THE RIGHT TO SUBSTITUTE OEM PARTS IN PLACE OF THERMACUT PARTS.

VALID FROM JULY 2017 • PREVIOUS VERSION IS NO LONGER VALID. • © COPYRIGHT 2017 BY THERMACUT® CZECH REPUBLIC. ALL RIGHTS RESERVED.

# REPLACEMENT PARTS SUITABLE FOR THERMAL DYNAMICS®

PCH/M28, PCH-26



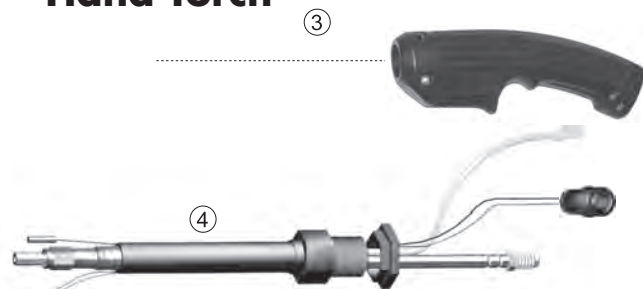
**Torch body features our patented design US Patent #6,271,497**

Item	Part No	Ref. No.	Description	Std. Pkg	Item	Part No.	Ref. No	Description	Std. Pkg.
1.	T-0272	9-6003	Shield Cup	1	T-1330	9-6500		Tip, Stand Off, LongLife	10
	T-0273	9-6004	Shield Cup, Crown, *9-6003 req'd	1	T-1331	9-6501		Tip, Drag, LongLife	10
	T-1328	9-6503	Shield Cup, Long Life	1	3.	T-0269	9-6007	Gas Distributor	5
2.	T-0270	9-6000	Tip	10	T-1332	9-6507		Gas Distributor, Long Life	5
	T-0271	9-6001	Tip, Drag	10	4.	T-0103	9-6006	Electrode	10
	T-1074	9-6002	Tip, Gouging	10	T-1333	9-6506		Electrode, Long Life	10
	T-2182	9-6502	Tip, Gouging, Long Life	10	5.	T-0267**	9-5807DURA	Hand DURA-Torch 70°	1
	T-1329	9-6120	Tip, HD	10					

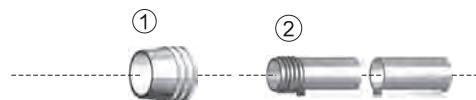
NOTE: PCH/M-28 USES ONLY "LONGLIFE" CONSUMABLES.

## ACCESSORIES

### Hand Torch



### Machine Torch



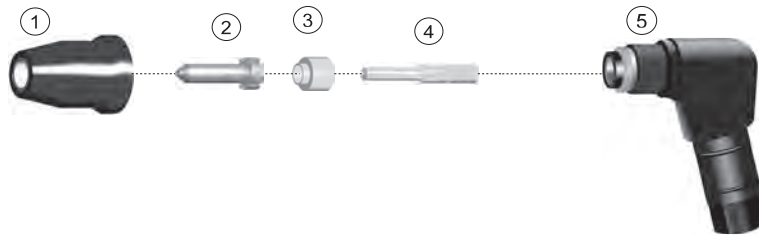
Item	Part No	Ref. No.	Description	Std. Pkg	Item	Part No.	Ref. No	Description	Std. Pkg.
1.	T-0157	8-4018	Nut	1	NS T-2286	2-3511		Torch 70° with Leads 25'	1
2.	T-1077	7-3207	Mounting Tube	1	NS T-2287	2-3500		Torch 90° with Leads 12.5'	1
3.	T-1040	9-5636-1	Handle with switch	1	NS T-2288	2-3510		Torch 90° with Leads 25'	1
4.	T-2273	4-2895	Leads, Hand, 25'	1	NS T-0734	2-5001		Torch 70° with Leads 25'	1
	T-2888	4-6071	Torch Leads, 12.5'	1	NS T-0735	2-5002		Torch 70° with Leads 50'	1
	T-0763	4-6072	Torch Leads, 25'	1	NS T-2892	2-5003		Torch 90° with Leads 25'	1
NS	T-0155	8-1322	Retaining Sheath	1	NS T-4551	2-5004		Torch 90° with Leads 50'	1
NS	T-2285	2-3501	Torch 70° with Leads 12.5'	1					

\*\* A UNIQUE DESIGN WHICH ENHANCES PERFORMANCE AND DIFFERS FROM OEM DESIGNS

THERMACUT®, FHT-EX® AND EX-TRAFIRE® ARE REGISTERED TRADEMARKS OF THERMACUT, K. S. AND MAY BE REGISTERED IN CZECH REPUBLIC AND/OR OTHER COUNTRIES. ALL OTHER TRADEMARKS ARE PROPERTIES OF THEIR RESPECTIVE OWNERS. THERMACUT IS NO WAY AFFILIATED WITH Thermal Dynamics®. MOST THERMACUT PARTS ARE MADE FOR OR BY AN IBG COMPANY. PARTS INDICATED WITH A OEM ARE ORIGINAL PARTS MANUFACTURED BY THE ABOVE NAMED MANUFACTURER AND ARE BEING RESOLD BY THERMACUT. THERMACUT RESERVES THE RIGHT TO SUBSTITUTE OEM PARTS IN PLACE OF THERMACUT PARTS. VALID FROM JULY 2017 • PREVIOUS VERSION IS NO LONGER VALID. • © COPYRIGHT 2017 BY THERMACUT® CZECH REPUBLIC. ALL RIGHTS RESERVED.

# REPLACEMENT PARTS SUITABLE FOR THERMAL DYNAMICS®

PCH/M-35, PCH/M-40

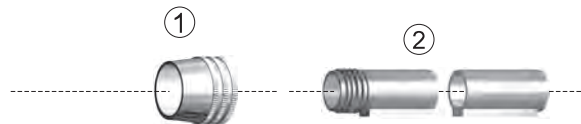


**Torch body features  
our patented design  
US Patent #6,271,497**

Item	Part No.	Ref. No.	Description	Std. Pkg	Item	Part No.	Ref. No.	Description	Std. Pkg.
1.	T-0272	9-6003	Shield Cup	1	T-1331	9-6500	Tip, Stand Off, Long Life	10	
	T-0273	9-6004	Shield Cup, Crown,*9-6003, Req'd	1	T-1331	9-6501	Tip, Drag, Long Life	10	
	T-1328	9-6503	Shield Cup, Long Life	1	3.	T-0269	9-6007	Gas Distributor	5
2.	T-0270	9-6000	Tip	10	T-1332	9-6507	Gas Distributor, Long Life	5	
	T-1074	9-6001	Tip, Drag	10	4.	T-0103	9-6006	Electrode	10
	T-1329	9-6002	Tip, Gouging	10	T-1333	9-6506	Electrode, Long Life	10	
	T-1330	9-6120	Tip, HD	10	5.	T-0267**	9-5807DURA	Hand Dura Torch, 70°	1
	T-2182	9-6502	Tip Gouging, Long Life	10					

## ACCESSORIES

### Machine Torch



### Hand Torch



Item	Part No.	Ref. No.	Description	Std. Pkg	Item	Part No.	Ref. No.	Description	Std. Pkg.
1.	T-0157	8-4018	Nut	1	T-1922	2-6053	Torch 70° with Leads, 25' & QD	1	
2.	T-1077	7-3207	Mounting Tube	1	T-1923	2-6054	Torch 70° with Leads, 50' & QD	1	
3.	T-1040	9-5636-1	Handle	1	T-1924	2-6055	Torch 90° with Leads, 12.5' & QD	1	
4.	T-1926	2-6057	Torch 90° with Leads, 50' & QD	1	T-1925	2-6056	Torch 90° with Leads, 12.5' & QD	1	
	T-1921	2-6052	Torch 70° with Leads, 12.5' & QD	1	5.	T-1633	9-5836	Quick Disconnect	1

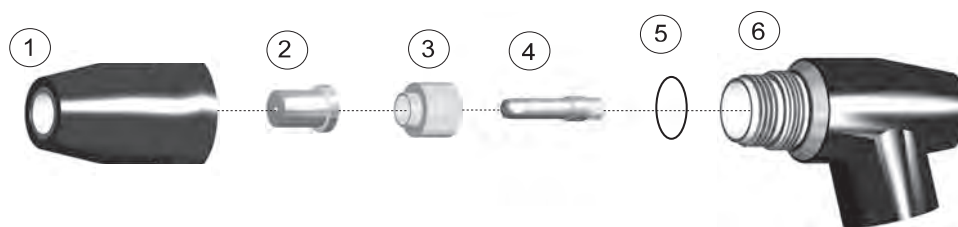
\*\* A UNIQUE DESIGN WHICH ENHANCES PERFORMANCE AND DIFFERS FROM OEM DESIGNS

THERMACUT®, FHT-EX® AND EX-TRAFIRE® ARE REGISTERED TRADEMARKS OF THERMACUT, K. S. AND MAY BE REGISTERED IN CZECH REPUBLIC AND/OR OTHER COUNTRIES. ALL OTHER TRADEMARKS ARE PROPERTIES OF THEIR RESPECTIVE OWNERS. THERMACUT IS NO WAY AFFILIATED WITH Thermal Dynamics®. MOST THERMACUT PARTS ARE MADE FOR OR BY AN IBG COMPANY. PARTS INDICATED WITH A OEM ARE ORIGINAL PARTS MANUFACTURED BY THE ABOVE NAMED MANUFACTURER AND ARE BEING RESOLD BY THERMACUT. THERMACUT RESERVES THE RIGHT TO SUBSTITUTE OEM PARTS IN PLACE OF THERMACUT PARTS. VALID FROM JULY 2017 • PREVIOUS VERSION IS NO LONGER VALID. © COPYRIGHT 2017 BY THERMACUT® CZECH REPUBLIC. ALL RIGHTS RESERVED.



# REPLACEMENT PARTS SUITABLE FOR THERMAL DYNAMICS®

PCH/M-75, PCH/M-76



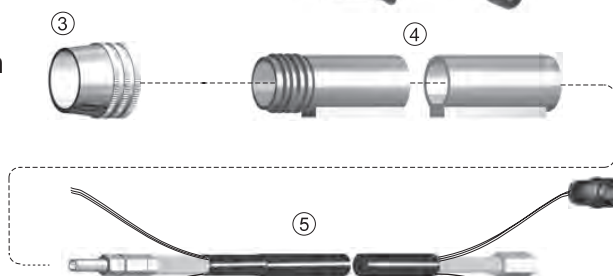
Item	Part No.	Ref. No.	Description	Std. Pkg.	Item	Part No.	Ref. No.	Description	Std. Pkg.
1.	T-1609	8-7500	Shield Cap	1	T-1708	8-7506	Gouging Tip	5	
	T-1706	8-7507	Crown Shield Cup	1	3.	T-1611	8-7501	Gas Distributor	5
2.	T-1610	8-7504	Tip, 55 Amp	5	T-1709	8-7508	Gouging Gas Distributor	2	
	T-2535	9-7726	Tip, 60 Amp	5	4.	T-1612	8-7502	Electrode	5
	T-2534	9-7728	Tip, 80 Amp	5	5.	T-1615	8-0532	O-Ring	1
	T-2126	8-7505	Tip, 70 Amp	5	6.	T-1613	8-7510	Torch Body 70°	1
	T-1707	8-7503	Drag Tip, 35 Amp	5	NS	T-2183	9-7501 OEM	Coil Spring	1

## ACCESSORIES

### Hand Torch



### Machine Torch



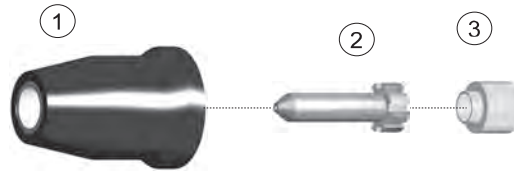
Item	Part No.	Ref. No.	Description	Std. Pkg.	Item	Part No.	Ref. No.	Description	Std. Pkg.
1.	T-0155	8-1322 OEM	Retaining Sheath	1	NS	T-2896	2-0001	100XL Torch 70° with 25' Leads	1
2.	T-1040	9-5636-1	Handle with Switch	1	NS	T-2897	2-0002	100XL Torch 70° with 50' Leads	1
3.	T-0157	8-4018	Nut	1	NS	T-2890	2-7501	75 Torch, 70° with 25' Leads	1
4.	T-0159	8-5005	Mounting Tube	1	NS	T-2891	2-7502	75 Torch, 70° with 50' Leads	1
5.	T-1711	4-7500	Hand Leads, NonShielded, 25'	1	NS	T-2919	4-7611	25' Leads	1
	T-1712	4-7501	Hand Leads, NonShielded, 50'	1	NS	T-2920	4-7612	50' Leads	1
	T-0759	4-0010	Hand Leads, 100XL, NonShielded, 25'	1	NS	T-0160	7-2827 OEM	Pinion Assembly	1
NS	T-1713	4-7502	Machine Leads, NonShielded, 25'	1	NS	T-0874	9-5636 OEM	Handle	1
NS	T-1714	4-7503	Machine Leads, NonShielded, 50'	1					

### VERIFY POWER SUPPLY WHEN ORDERING LEADS

THERMACUT®, FHT-EX® AND EX-TRAFIRE® ARE REGISTERED TRADEMARKS OF THERMACUT, K. S. AND MAY BE REGISTERED IN CZECH REPUBLIC AND/OR OTHER COUNTRIES. ALL OTHER TRADEMARKS ARE PROPERTIES OF THEIR RESPECTIVE OWNERS. THERMACUT IS NO WAY AFFILIATED WITH Thermal Dynamics®. MOST THERMACUT PARTS ARE MADE FOR OR BY AN IBG COMPANY. PARTS INDICATED WITH A OEM ARE ORIGINAL PARTS MANUFACTURED BY THE ABOVE NAMED MANUFACTURER AND ARE BEING RESOLD BY THERMACUT. THERMACUT RESERVES THE RIGHT TO SUBSTITUTE OEM PARTS IN PLACE OF THERMACUT PARTS. VALID FROM JULY 2017 • PREVIOUS VERSION IS NO LONGER VALID. © COPYRIGHT 2017 BY THERMACUT® CZECH REPUBLIC. ALL RIGHTS RESERVED.

# REPLACEMENT PARTS SUITABLE FOR THERMACUT®

## PCH-42



Item	Part No.	Ref. No.	Description	Std. Pkg.	Item	Part No.	Ref. No.	Description	Std. Pkg.
1.	T-0272	9-6003	Shield Cup	1		T-1331	9-6501	Drag Tip	10
	T-0273	9-6004	Shield Cup, Crown *9-6003 Req'd	1		T-2182	9-6502	Tip, Gouging	10
	T-1328	9-6503	Shield Cup, Long Life	1	3.	T-1332	9-6507	Gas Distributor	5
2.	T-1330	9-6500	Standoff Tip	10					

## PCH-62

Item	Part No.	Ref. No.	Description	Std. Pkg.	Item	Part No.	Ref. No.	Description	Std. Pkg.
1.	T-12420	9-8400 OEM	Shield Cup	1		T-2938	9-8416	Gouging Tip	5
	T-2924	9-8415 OEM	Torch Stand-off Guide	1	3.	T-2877	9-8401	Gas Distributor	1
2.	T-2880	9-8411	Tip	10	4.	T-3721	9-8407 OEM	Electrode	5
	T-3317	9-8412	Stand Off Tip	10		T-3720	9-8402 OEM	Electrode	5

## PCH-102

Item	Part No.	Ref. No.	Description	Std. Pkg.	Item	Part No.	Ref. No.	Description	Std. Pkg.
1.	T-1609	8-7500	Shield Cap	1		T-2534	9-7728	Tip 80 Amp	5
	T-3487	8-7525 OEM	Shield Cap	1		T-1708	8-7506	Gouging Tip	5
	T-1706	8-7507	Castle Shield Cap	1	3.	T-1611	8-7501	Gas Distributor	5
2.	T-1707	8-7503	Drag Tip	5		T-1709	8-7508	Gouging Gas Distributor	2
	T-2535	9-7726	Tip 60 Amp	5	4.	T-3721	9-8407 OEM	Electrode	5
	T-2126	8-7505	Tip 70 Amp	5		T-3720	9-8402 OEM	Electrode	5

## 1Torch®

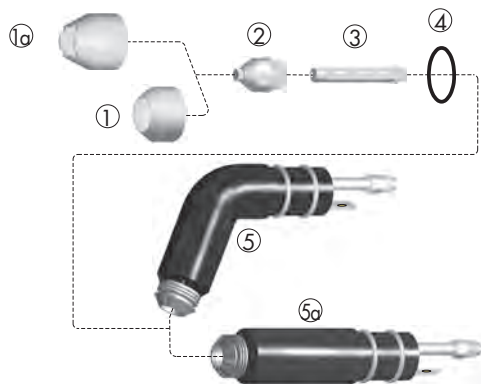
Item	Part No.	Ref. No.	Description	Std. Pkg.	Item	Part No.	Ref. No.	Description	Std. Pkg.
NS	T-10656	9-8215 OEM	Electrode ML	5	NS	T-10641	9-8205 OEM	Tip, 20A, Drag	5
NS	T-10666	9-8224 OEM	Ohmic Clip	1	NS	T-10642	9-8206 OEM	Tip, 30A, Drag	5
NS	T-10661	9-8218 OEM	Shield Cup	1	NS	T-10644	9-8208 OEM	Tip, 40A, Cutting	5
NS	T-10415	9-8237 OEM	Shield Cup Body ML	1	NS	T-10643	9-8207 OEM	Tip, 40A, Drag	5
NS	T-10666	9-8244 OEM	Shield Cup, Drag 40A	1	NS	T-10645	9-8209 OEM	Tip, 50/55A, Cutting	5
NS	T-10652	9-8235 OEM	Shield Cup, Drag 50/60A	1	NS	T-10660	9-8210 OEM	Tip, 60A, Cutting	5
NS	T-10653	9-8236 OEM	Shield Cup, Drag 70/100A	1	NS	T-10659	9-8231 OEM	Tip, 70A, Cutting	5
NS	T-10665	9-8245 OEM	Shield Cup, Machine, 40A	1	NS	T-10658	9-8211 OEM	Tip, 80A, Cutting	5
NS	T-10654	9-8238 OEM	Shield Cup, Machine, 50/60A	1	NS	T-10657	9-8212 OEM	Tip, 90/100A, Cutting	5
NS	T-10655	9-8239 OEM	Shield Cup, Machine, 70/100A	1	NS	T-10646	9-8225 OEM	Tip, A, Gouging	5
NS	T-10650	9-8243 OEM	Shield Cup, Machine, Deflector	1	NS	T-10647	9-8226 OEM	Tip, B, Gouging	5
NS	T-10651	9-8241 OEM	Shield Cup, Machine, Gouging	1	NS	T-10658	9-8227 OEM	Tip, C, Gouging	5
NS	T-10663	9-8213 OEM	Start Cartridge	1	NS	T-10649	9-8228 OEM	Tip, D, Gouging	5

\* FULLY INTERCHANGEABLE AND COMPATIBLE WITH ORIGINAL PARTS, BUT DIFFERS FROM ORIGINAL DESIGN

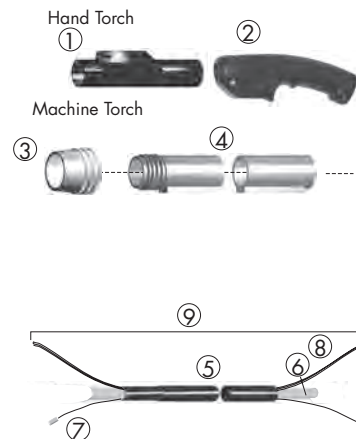
THERMACUT®, FHT-EX® AND EX-TRAFIRE® ARE REGISTERED TRADEMARKS OF THERMACUT, K. S. AND MAY BE REGISTERED IN CZECH REPUBLIC AND/OR OTHER COUNTRIES. ALL OTHER TRADEMARKS ARE PROPERTIES OF THEIR RESPECTIVE OWNERS. THERMACUT IS NO WAY AFFILIATED WITH Thermal Dynamics®. MOST THERMACUT PARTS ARE MADE FOR OR BY AN IBG COMPANY. PARTS INDICATED WITH A OEM ARE ORIGINAL PARTS MANUFACTURED BY THE ABOVE NAMED MANUFACTURER AND ARE BEING RESOLD BY THERMACUT. THERMACUT RESERVES THE RIGHT TO SUBSTITUTE OEM PARTS IN PLACE OF THERMACUT PARTS. VALID FROM JULY 2017 • PREVIOUS VERSION IS NO LONGER VALID. © COPYRIGHT 2017 BY THERMACUT® CZECH REPUBLIC. ALL RIGHTS RESERVED.

# REPLACEMENT PARTS SUITABLE FOR THERMAL DYNAMICS®

## PCH/M-51 TORCH



### ACCESSORIES



Item	Part No.	Ref. No.	Description	Std. Pkg.	Item	Part No.	Ref. No.	Description	Std. Pkg.
1.	T-0143	9-5630	Shield Cup	10	3.	T-0150	9-5633	Electrode	10
	T-0144	8-2152	Shield Cup, SR	2	4.	T-0151	8-5525	O-Ring	10
	T-0145	8-2151	Shield Cup, SR, Long	1	5.	T-0152	9-5635	TMT-51, Hand Torch	1
1a.	T-0146	8-5526	Crown Shield Cup, Ceramic	5	5a.	T-0156	9-5634	TMT-51, Machine Torch	1
2.	T-0148	9-5631	Tip, .043	10					

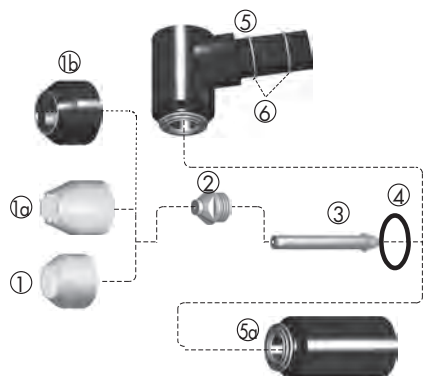
### ACCESSORIES

Item	Part No.	Ref. No.	Description	Std. Pkg.	Item	Part No.	Ref. No.	Description	Std. Pkg.
1.	T-0155	8-1322 OEM	Retaining Sheath	1		T-0857	4-2874	Machine Torch Leads, 12.5'	1
2.	T-1040	9-5636-1	Handle with Switch	1		T-0858	4-5030	Hand Torch Leads, 25'	1
3.	T-0157	8-4018	Nut	1		T-0859	4-5031	Hand Torch Leads, 50'	1
4.	T-0159	8-5005	Mounting Tube	1		T-0860	4-5032	Machine Torch Leads, 25'	1
5.	T-0872	9-5515	Leads Sleeving, 25'	1		T-0861	4-5033	Machine Torch Leads, 50'	1
	T-0862	8-6095	Shielded Sleeving, 25'	1	NS	T-0848	2-2860	Hand Torch with 25' Leads	1
	T-0863	8-6096	Shielded Sleeving, 50'	1	NS	T-2893	2-2985	Hand Torch 70° with 25' leads	1
6.	T-0866	9-4273	Negative Lead, 25'	1	NS	T-0849	2-2861	Hand Torch with 50' Leads	1
	T-0867	9-4274	Negative Lead, 50'	1	NS	T-2894	2-2986	Hand Torch 70° with 50' leads	1
7.	T-0870	9-4279	Pilot Lead, 25'	1	NS	T-0852	2-2864	Machine Torch with 25' Leads	1
	T-0871	9-4280	Pilot Lead, 50'	1	NS	T-0853	2-2865	Machine Torch with 50' Leads	1
8.	T-0899	9-4276	Control Cable, 25'	1	NS	T-0874	9-5636 OEM	Handle	1
	T-0900	9-4277	Control Cable, 50'	1	NS	T-0160	7-2827 OEM	Pinion Assy	1
9.	T-0856	4-2871	Hand Torch Leads, 12.5'	1					

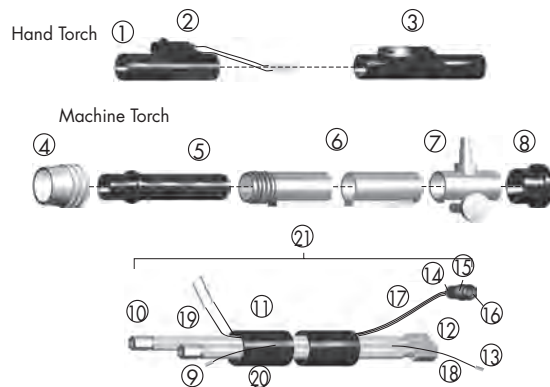
THERMACUT®, FHT-EX® AND EX-TRAFIRE® ARE REGISTERED TRADEMARKS OF THERMACUT, K. S. AND MAY BE REGISTERED IN CZECH REPUBLIC AND/OR OTHER COUNTRIES. ALL OTHER TRADEMARKS ARE PROPERTIES OF THEIR RESPECTIVE OWNERS. THERMACUT IS NO WAY AFFILIATED WITH Thermal Dynamics®. MOST THERMACUT PARTS ARE MADE FOR OR BY AN IBG COMPANY. PARTS INDICATED WITH A OEM ARE ORIGINAL PARTS MANUFACTURED BY THE ABOVE NAMED MANUFACTURER AND ARE BEING RESOLD BY THERMACUT. THERMACUT RESERVES THE RIGHT TO SUBSTITUTE OEM PARTS IN PLACE OF THERMACUT PARTS. VALID FROM JULY 2017 • PREVIOUS VERSION IS NO LONGER VALID. • © COPYRIGHT 2017 BY THERMACUT® CZECH REPUBLIC. ALL RIGHTS RESERVED.

# REPLACEMENT PARTS SUITABLE FOR THERMAL DYNAMICS®

## PCH/M-52 TORCH



### ACCESSORIES



Item	Part No.	Ref. No.	Description	Std. Pkg	Item	Part No.	Ref. No.	Description	Std. Pkg.
1.	T-0166	9-5617	Shield Cup	10	T-0173	9-5702	Tip, .031, 35 Amp	10	
	T-0167	9-5712	Drag Shield Cup, SR	1	3.	T-0176	9-5619	Electrode, Air	10
1a.	T-0168	9-5694	Crown Shield Cup	10	T-1021	8-3331	Electrode, Air	10	
1b.	T-0186	9-5781	Shield Cup, Long, SR	1	4.	T-0151	8-5525	O-Ring	10
2.	T-0170	9-5708	Tip, .059, 100 Amp	10	5.	T-0178	9-5642	TMT-52, Hand Torch	1
	T-0171	9-5707	Tip, .047, 70 Amp	10	5a.	T-0179	9-5643	TMT-52, Machine Torch	1
	T-0172	9-5618	Tip, .043, 45 Amp	10	NS	T-0163	8-4025	Lubricant	1

### ACCESSORIES

Item	Part No.	Ref. No.	Description	Std. Pkg	Item	Part No.	Ref. No.	Description	Std. Pkg.
1.	T-0180	9-5644 OEM	Handle	1	15.	T-0894	9-3294	Plug	1
2.	T-0181	9-5522	Switch	1	16.	T-0865	9-3296	Pin	1
3.	T-0182	8-4216 OEM	Retaining Sheath	1	17.	T-0900	9-4277	Control Cable, 50'	1
4.	T-0157	8-4018	Nut	1	18.	T-0870	9-4279	Pilot Lead, 25'	1
5.	T-0183	9-1901	Adapter	1		T-0871	9-4280	Pilot Lead, 50'	1
6.	T-0159	8-5005	Mounting Tube	1		T-0907	9-5665	Plasma Lead, 50'	1
7.	T-0160	7-2827 OEM	Pinion Assembly	1		T-0904	9-5663	Negative Lead, 50'	1
8.	T-0161	8-4204	Bushing	1	21.	T-0876	4-5034	Hand Torch Leads, 25'	1
9.	T-0914	8-4190	Fitting (L), Torch End	1		T-0877	4-5035	Hand Torch Leads, 50'	1
	T-0976	8-5085	Ferrule	1		T-0878	4-5036	Machine Torch Leads, 25'	1
11.	T-0862	8-6095	Shielded Slewing, 25'	1		T-0879	4-5037	Machine Torch Leads, 50'	1
	T-0863	8-6096	Shielded Slewing, 50'	1		T-0881	4-5044	Shielded Leads, 50'	1
	T-0896	9-3035	Leads Slewing, 50'	1	NS	T-1375	2-2937	TMT-52 70° With 50' Leads	1
	T-0887	8-1498	Leads Slewing, 25'	1	NS	T-1376	2-2938	TMT-52 Mach With 25' Leads	1
13.	T-0924	8-7033	Fitting (L), Console End	1	NS	T-1377	2-2939	TMT-52 Mach With 50' Leads	1
14.	T-1067	9-3295	Cable Clamp	1	NS	KT-1060	2-2936	TMT-52 Torch with Leads 7,6m (25')	1

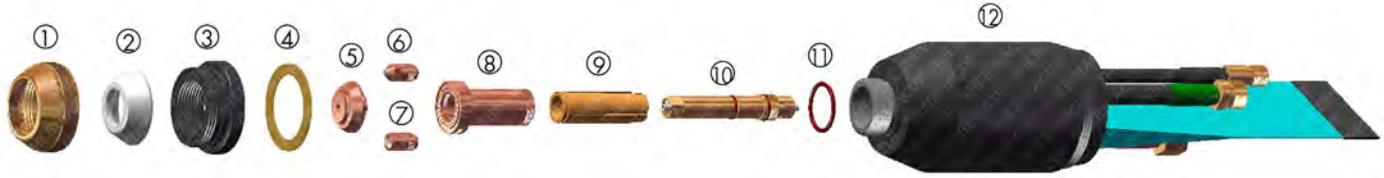
NS NOT SHOWN IN THE PICTURE

THERMACUT®, FHT-EX® AND EX-TRAFIRE® ARE REGISTERED TRADEMARKS OF THERMACUT, K. S. AND MAY BE REGISTERED IN CZECH REPUBLIC AND/OR OTHER COUNTRIES. ALL OTHER TRADEMARKS ARE PROPERTIES OF THEIR RESPECTIVE OWNERS. THERMACUT IS NO WAY AFFILIATED WITH Thermal Dynamics®. MOST THERMACUT PARTS ARE MADE FOR OR BY AN IBG COMPANY. PARTS INDICATED WITH A OEM ARE ORIGINAL PARTS MANUFACTURED BY THE ABOVE NAMED MANUFACTURER AND ARE BEING RESOLD BY THERMACUT. THERMACUT RESERVES THE RIGHT TO SUBSTITUTE OEM PARTS IN PLACE OF THERMACUT PARTS. VALID FROM JULY 2017 • PREVIOUS VERSION IS NO LONGER VALID. • © COPYRIGHT 2017 BY THERMACUT® CZECH REPUBLIC. ALL RIGHTS RESERVED.



# REPLACEMENT PARTS SUITABLE FOR THERMAL DYNAMICS®

## PCH/M-6B



Item	Part No.	Ref. No.	Description	Std. Pkg.	Item	Part No.	Ref. No.	Description	Std. Pkg.
1.	T-0233	8-6515	End Cap	1	11.	T-0108	8-0531	O-Ring	1
2.	T-0232	8-6514	Insulator, End Piece	5	12.	T-0217	8-6577	6B Machine Torch	1
3.	T-0231	8-6581	Outer Insulator	1		T-1423	8-6583	6B Hand Torch 70°	1
4.	T-0230	8-6512	Gasket, Outer Insulator	5		T-0216	8-6584	6B Hand Torch 90°	1
5.	T-0229	8-6572	Tip, .125, 400 A	5	NS	T-0159	8-5005	Positioning tube	1
	T-0228	8-6582	Tip, .113, 300 A	5	NS	T-0236	8-6517 OEM	Liner/Tip Wrench	1
	T-0227	8-6575	Tip, .093, 200 A	5	NS	KT-1337	2-2747	PCH-6B 70° Torch with Leads 15,2m (50'), PAK®45	1
	T-0226	8-6648	Tip, .076, 150 A	5	NS	KT-1431	2-2789	PCH-6B 70° Torch with Leads 15,2m (50'), PAK®44	1
	T-0225	8-6580	Tip, .067, 100 A	5	NS	KT-1215	2-2790	PCH-6B® 90° Torch with Leads 7,6m (25')	1
6.	T-0224	8-6586	Electrode, N <sub>2</sub> , Metal Seat, L-Amp	10	NS	KT-1323	4-2725	PCH-6B® Cable Leads 7,6m (25')	1
7.	T-0223	8-6578	Electrode, N <sub>2</sub> , Gen. Purpose	10	NS	KT-1324	2-2792	PCM-6B® 180° Torch with Leads 7,6m (25')	1
8.	T-0222	8-6571	Liner Assy	1	NS	KT-1188	4-2726	PCH-6B® Cable Leads 15,2m (50')	1
9.	T-0221	8-6587	Gas Distributor, 6B, 4 Holes, Rev. Swirl	1	NS	KT-1198	2-2749	PCM-6B® 180° Torch with Leads 15,2m (50')	1
	T-0220	8-6569	Gas Distributor, 6B, 4 Holes	1	NS	KT-1443	9-2866	Plasma Hose 7,6m (25')	1
10.	T-0219	8-6615	Electrode Holder	1	NS	KT-1444	9-2950	Power Hose 7,6m (25')	1

NS NOT SHOWN IN THE PICTURE

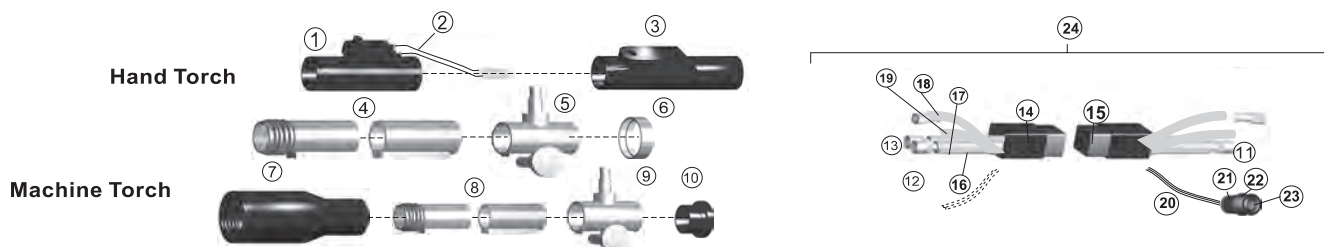
THERMACUT®, FHT-EX® AND EX-TRAFIRE® ARE REGISTERED TRADEMARKS OF THERMACUT, K. S. AND MAY BE REGISTERED IN CZECH REPUBLIC AND/OR OTHER COUNTRIES. ALL OTHER TRADEMARKS ARE PROPERTIES OF THEIR RESPECTIVE OWNERS. THERMACUT IS NO WAY AFFILIATED WITH Thermal Dynamics®.

MOST THERMACUT PARTS ARE MADE FOR OR BY AN IBG COMPANY. PARTS INDICATED WITH A OEM ARE ORIGINAL PARTS MANUFACTURED BY THE ABOVE NAMED MANUFACTURER AND ARE BEING RESOLD BY THERMACUT. THERMACUT RESERVES THE RIGHT TO SUBSTITUTE OEM PARTS IN PLACE OF THERMACUT PARTS.

VALID FROM JULY 2017 • PREVIOUS VERSION IS NO LONGER VALID. • © COPYRIGHT 2017 BY THERMACUT® CZECH REPUBLIC. ALL RIGHTS RESERVED.

# REPLACEMENT PARTS SUITABLE FOR THERMAL DYNAMICS®

## PCH/M-6B ACCESSORIES



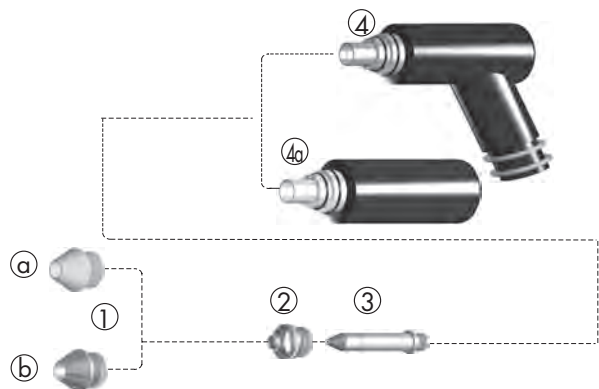
Item	Part No	Ref. No.	Description	Std. Pkg	Item	Part No.	Ref. No	Description	Std. Pkg.
1.	T-0977	8-6519 OEM	Handle	1	T-0987	9-2867		Plasma (Black) Hose, 50'	1
2.	T-0946	8-4219	Switch	1	20.	T-1071	8-0002	Control Cable, 25'	1
3.	T-0945	8-4217 OEM	Switch Sheath	1		T-1072	8-0003	Control Cable, 50'	1
4.	T-0978	8-6521 OEM	Mounting Tube, 2 1/4" Dia	1	21.	T-1067	9-3295	Cable Clamp	1
5.	T-0936	7-2828 OEM	Pinion Assy, 2 1/4" Dia	1	22.	T-0864	9-3294	Plug	1
6.	T-0979	8-6522 OEM	Bushing	1	23.	T-0865	9-3296	Pin	1
7.	T-0980	8-6566 OEM	Adaptor, 1 3/8" Dia	1	24.	T-0932	4-2797	Hand Leads, 25'	1
8.	T-0159	8-5005	Mounting Tube, 1 3/8" Dia	1		T-0933	4-2799	Hand Leads, 50'	1
9.	T-0160	7-2827 OEM	Pinion Assy, 1 3/8" Dia	1		T-0934	4-2725	Machine Leads, 25'	1
10.	T-0161	8-4204	Bushing	1		T-0395	4-2726	Machine Leads, 50'	1
11.	T-0924	8-7033	Fitting, Console End (+, -)	1	NS	T-0981	8-6614 OEM	Heat Shield, Machine	5
12.	T-0983	8-7031	Fitting, Torch End (+)	1	NS	T-0982	8-7042 OEM	Heat Shield, Hand	1
	T-0976	8-5085	Ferrule	5	NS	T-2902	2-2744	Hand Torch 70° w/ 25' Leads	1
13.	T-0944	8-4190	Fitting, Torch End (-)	1	NS	T-2903	2-2747	Hand Torch 70° w/ 50' Leads	1
14.	T-0912	8-1205	Shrink-on, Tubing	1	NS	T-2981	2-2789	Hand Torch 70° w/ 50' Leads	1
15.	T-0940	8-1000	Leads Sleeving, 25'	1	NS	T-3404	2-2791	Hand Torch 90° w/ 50' Leads	1
	T-0985	8-7051	Leads Sleeving, 50'	1	NS	T-1907	2-2745	Hand Torch 90° w/ 25' Leads	1
16.	T-0990	9-2950	Negative (Green) Lead, 25'	1	NS	T-1905	2-2748	Hand Torch 90° w/ 50' Leads	1
	T-0991	9-2951	Negative (Green) Lead, 50'	1	NS	T-1906	2-2749	Machine Torch w/ 50' Leads	1
17.	T-0988	9-2948	Positive (Blue) Lead, 25'	1	NS	T-1908	2-2792	Machine Torch w/ Leads 25'	1
	T-0989	9-2949	Positive (Blue) Lead, 50'	1	NS	T-1909	2-2793	Machine Torch w/ Leads 50'	1
18.	T-0941	8-1009	Secondary (Yellow) Lead, 25'	1	NS	T-4033	2-2741	Machine Torch w/ Parts & Mounting Tube	1
	T-0942	8-1056	Secondary (Yellow) Lead, 50'	1	NS	T-2121	8-6564 OEM	Switch Sheath	1
19.	T-0986	9-2866	Plasma (Black) Hose, 25'	1					

NS NOT SHOWN IN THE PICTURE

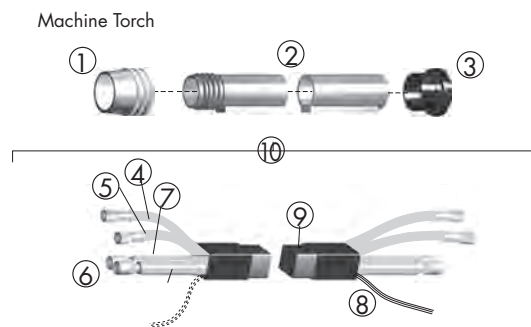
THERMACUT®, FHT-EX® AND EX-TRAFIRE® ARE REGISTERED TRADEMARKS OF THERMACUT, K. S. AND MAY BE REGISTERED IN CZECH REPUBLIC AND/OR OTHER COUNTRIES. ALL OTHER TRADEMARKS ARE PROPERTIES OF THEIR RESPECTIVE OWNERS. THERMACUT IS NO WAY AFFILIATED WITH Thermal Dynamics®. MOST THERMACUT PARTS ARE MADE FOR OR BY AN IBG COMPANY. PARTS INDICATED WITH A OEM ARE ORIGINAL PARTS MANUFACTURED BY THE ABOVE NAMED MANUFACTURER AND ARE BEING RESOLD BY THERMACUT. THERMACUT RESERVES THE RIGHT TO SUBSTITUTE OEM PARTS IN PLACE OF THERMACUT PARTS. VALID FROM JULY 2017 • PREVIOUS VERSION IS NO LONGER VALID. © COPYRIGHT 2017 BY THERMACUT® CZECH REPUBLIC. ALL RIGHTS RESERVED.

# REPLACEMENT PARTS SUITABLE FOR THERMAL DYNAMICS®

## PCH/M-150 TORCH



### ACCESSORIES



Item	Part No.	Ref. No.	Description	Std. Pkg.	Item	Part No.	Ref. No.	Description	Std. Pkg.
1a.	T-0237	9-5750	Shield Cup	1	3.	T-0253	9-5749	Electrode, Air	5
1c.	T-0239	9-5790	Shield Cup, Metal	1		T-0254	9-5754	Electrode, Nit, AR/H	5
2.	T-0241	9-5746	Tip, .070 Air 150 Amp	5		T-0255	9-5760	Electrode, Oxy	5
	T-0242	9-5747	Tip, .055 Air 100 Amp	5	4.	T-0256	9-5743	TMT-150 Hand Torch, 70°	1
	T-0244	9-5751	Tip, .070 Oxy 150 Amp	5		T-2171	9-5744	TMT-150 Hand Torch, 90°	1
	T-0247	9-5767	Tip, .067 Nit 150 Amp	5	4a.	T-0257	9-5745	TMT-150 Machine Torch	1
	T-0248	9-5766	Tip, .052 Nit 100 Amp	5					

### ACCESSORIES

Item	Part No.	Ref. No.	Description	Std. Pkg.	Item	Part No.	Ref. No.	Description	Std. Pkg.
1.	T-0261	8-2158 OEM	Adapter, 1 3/8" Dia	1		T-0963	8-5139	Shielded Sleeving, 25'	1
2.	T-1077	7-3207	Mounting Tube	1	10.	T-0954	4-2863	Hand Leads, 25'	1
3.	T-0161	8-4204	Bushing	1		T-0955	4-2864	Hand Leads, 50'	1
4.	T-0965	8-5565	Plasma Lead, 25'	1		T-0956	4-2865	Machine Leads, 25'	1
	T-0966	8-5566	Plasma Lead, 50'	1		T-0957	4-2866	Machine Leads, 50'	1
5.	T-0961	8-5135	Secondary Gas Hose, 25'	1	NS	T-0950	2-2980	Machine Torch with 25' Leads	1
	T-0962	8-5136	Secondary Gas Hose, 50'	1	NS	T-0951	2-2981	Machine Torch with 50' Leads	1
6.	T-0969	8-6139	Negative Lead, 25'	1	NS	T-0952	2-2982	Hand Torch 70° with 25' Leads	1
7.	T-0971	8-6305	Coolant Return Hose, 25'	1	NS	T-0958	2-2978	Hand Torch 90° with 25' Leads	1
	T-0972	8-6306	Coolant Return Hose, 50'	1	NS	T-0953	2-2983	Hand Torch 70° with 50' Leads	1
8.	T-0967	8-5567	Control Cable, 25'	1	NS	T-0959	2-2979	Hand Torch 90° with 50' Leads	1
	T-0968	8-5568	Control Cable, 50'	1	NS	T-0973	9-1063 OEM	Handle	1
9.	T-0940	8-1000	Leads Sleeving, 25'	1	NS	T-0259	9-1246	Switch	1
	T-0960	8-1058	Leads Sleeving, 50'	1	NS	T-0260	9-1064 OEM	Retaining Sheath	1

THERMACUT®, FHT-EX® AND EX-TRAFIRE® ARE REGISTERED TRADEMARKS OF THERMACUT, K. S. AND MAY BE REGISTERED IN CZECH REPUBLIC AND/OR OTHER COUNTRIES. ALL OTHER TRADEMARKS ARE PROPERTIES OF THEIR RESPECTIVE OWNERS. THERMACUT IS NO WAY AFFILIATED WITH Thermal Dynamics®. MOST THERMACUT PARTS ARE MADE FOR OR BY AN IBG COMPANY. PARTS INDICATED WITH A OEM ARE ORIGINAL PARTS MANUFACTURED BY THE ABOVE NAMED MANUFACTURER AND ARE BEING RESOLD BY THERMACUT. THERMACUT RESERVES THE RIGHT TO SUBSTITUTE OEM PARTS IN PLACE OF THERMACUT PARTS. VALID FROM JULY 2017 • PREVIOUS VERSION IS NO LONGER VALID. • © COPYRIGHT 2017 BY THERMACUT® CZECH REPUBLIC. ALL RIGHTS RESERVED.

# REPLACEMENT PARTS SUITABLE FOR THERMAL DYNAMICS®

## MERLIN™ 6000 & 6000GST MAXIMIZER™ 300



Item	Part No.	Ref. No.	Description	Std. Pkg.	Item	Part No.	Ref. No.	Description	Std. Pkg.
1.	T-2971	20-1003	Shield Cup, 50A	1	T-10264**	20-1018-UR		Electrode, Air 50-225A / O <sub>2</sub> 300A	5
	T-2289	20-1004	Shield Cup, 100-225A	1	T-10265**	20-1010-UR		Electrode, Air/O <sub>2</sub> ,100-225A	5
	T-2290	20-1005	Shield Cup, 300A	1	6.	T-4913	20-1018-AG	Electrode, Air 50-225A/O <sub>2</sub> 300A, SilverEX®	5
2.	T-2292	20-1002	Standard Shield Cup Body	1		T-4914	20-1021-AG	Electrode, Air, 300A, SilverEX®	5
3.	T-8981	20-1030	Tip, 50A (0.043")	5	7.	T-2300	20-1023	Electrode, N <sub>2</sub> , 50-300A	5
	T-2303	20-1031	Tip, 100A (0.055")	5	8.	T-2301	20-0008	Gas Distributor, 50-225A	2
	T-2304	20-1032	Tip, 150A (0.073")	5		T-2302	20-1009	Gas Distributor, 300A	2
	T-2305	20-1033	Tip, 225A (0.083")	5	9.	T-11846	T-11846	Cooling Tube	1
	T-2306	20-1034	Tip, 300A (0.109")	5	10.	T-1693	9-6410	Torch Body	1
4.	T-10702	20-1017	Electrode, O <sub>2</sub> , 225A	5	10a.	N-10088	1-023B	O-Ring	1
5.	T-10441	20-1021-UR	Electrode, Air, 300A	5	NS	T-1077	7-3207	Mounting Tube	1
	T-10293**	20-1015-UR	Electrode O <sub>2</sub> , 50-100A	5	NS	T-0160	7-2827 OEM	Pinion Assembly	1
	T-10440**	20-1016-UR	Electrode, O <sub>2</sub> , 150A	5					

## PCH/M-120



Item	Part No.	Ref. No.	Description	Std. Pkg.	Item	Part No.	Ref. No.	Description	Std. Pkg.
1.	T-0571	20-1225	Short Shield Cup	1	5.	T-11846	T-11846	Cooling Tube	1
	T-3810	20-1226 OEM	Crown Cup	1	6.	T-1693	9-6410	Torch Body	1
	T-4001	20-1227 OEM	Shield Cup, Gouging	1	NS	T-3810	20-1226 OEM	Crown Cup	1
2.	T-0577	20-1222	Tip, .063, 120 Amp	5	NS	T-3719	4-6092	Hand Leads, 25'	1
	T-0570	20-1221	Tip, .047, 70 Amp	5	NS	T-3923	4-6093	Hand Leads, 50'	1
	T-0582	20-1220	Tip, .031, 35 Amp	5	NS		4-6090	Machine Leads, 25'	1
3.	T-0569	20-1215	Gas Distributor	1	NS	T-3534	4-6091	Machine Leads, 50'	1
4.	T-10263	20-1210-UR	Electrode	5					

\*\* A UNIQUE DESIGN WHICH ENHANCES PERFORMANCE AND DIFFERS FROM OEM DESIGNS

NS NOT SHOWN IN THE PICTURE

SMART SOLUTION - DESIGN IMPROVEMENTS THAT BRINGS ADDED VALUE SUCH AS IMPROVED LIFETIME OF CONSUMABLES, EXCELLENT CUT QUALITY, SPEED OR BETTER COST EFFECTIVENESS OF YOUR SYSTEM

THERMACUT®, FHT-EX® AND EX-TAFIRE® ARE REGISTERED TRADEMARKS OF THERMACUT, K. S. AND MAY BE REGISTERED IN CZECH REPUBLIC AND/OR OTHER COUNTRIES. ALL OTHER TRADEMARKS ARE PROPERTIES OF THEIR RESPECTIVE OWNERS. THERMACUT IS NO WAY AFFILIATED WITH Thermal Dynamics®.

MOST THERMACUT PARTS ARE MADE FOR OR BY AN IBG COMPANY. PARTS INDICATED WITH A OEM ARE ORIGINAL PARTS MANUFACTURED BY THE ABOVE NAMED MANUFACTURER AND ARE BEING RESOLD BY THERMACUT. THERMACUT RESERVES THE RIGHT TO SUBSTITUTE OEM PARTS IN PLACE OF THERMACUT PARTS.

VALID FROM JULY 2017 • PREVIOUS VERSION IS NO LONGER VALID. • © COPYRIGHT 2017 BY THERMACUT® CZECH REPUBLIC. ALL RIGHTS RESERVED.

**THERMACUT®**  
THE CUTTING COMPANY

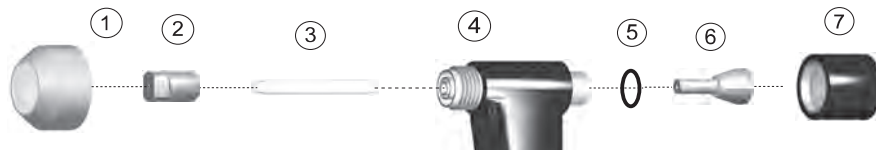
THERMACUT, INC  
153 CHARLESTOWN ROAD  
CLAREMONT, NH 03743

WWW.THERMACUT.COM  
(800) 932-8312 TEL  
(800) 972-6255 FAX



# REPLACEMENT PARTS SUITABLE FOR THERMAL DYNAMICS®

## PWH/M 2A WELDING TORCH



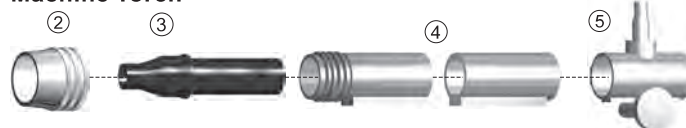
Item	Part No.	Ref. No.	Description	Std. Pkg.	Item	Part No.	Ref. No.	Description	Std. Pkg.
1.	T-1482	8-2071	Shield Cup	5	4.	T-1491	8-2036	Gasket	5
	T-0776	8-3236 OEM	Shield Cup, Ext.	10		T-1492	8-2027	Torch Head, 70°	1
2.	T-1483	8-2023	Tip, .046, 35A	10		T-1037	8-2028	Torch Head, 90°	1
	T-1484	8-2024 OEM	Tip, .062, 55A	10		T-1493	8-2097	Torch Head, Machine	1
	T-1485	8-2025	Tip, .081, 75A	10	5.	T-1494	8-2035	O-Ring	10
	T-1486	8-2079	Tip, Long, .031	10	6.	T-1495	8-2039-UR	Collet	1
	T-1487	8-2080	Tip, Long, .046	10		T-0766	8-2041	Collet (.040)	1
	T-1488	8-2082	Tip, Long, .062	10		T-0768	8-2044	Electrode (.040), Std.	10
	T-1489	8-2083	Tip, Long, .081	10		T-0769	8-2006 OEM	Electrode, Ext. (.093)	10
3.	T-1490	8-2040	Gas Distributor	1	7.	T-1497	8-2032	Back Cap	1
	T-0770	8-2042	Gas Distributor (.040)	1		T-0765	8-2030	Back Cap, Extended	1

## PWH/M 2A WELDING TORCH ACCESSORIES

### Hand Torch



### Machine Torch



### Common Lead Set Components

Item	Part No.	Ref. No.	Description	Std. Pkg.	Item	Part No.	Ref. No.	Description	Std. Pkg.
1.	T-1524	8-2026 OEM	Handle	1	NS T-8089	8-2021	Wrench/Gauge	1	
2.	T-0157	8-4018	Nut	1	NS T-1535	8-1495	Positive Lead, Red 25'	1	
3.	T-1525	8-2063 OEM	Sleeve	1	NS T-1536	8-1074	Plasma Hose 12 1/2'	1	
4.	T-0159	8-5005	Mounting Tube	1	NS T-1537	8-1496	Plasma Hose 25'	1	
5.	T-0160	7-2827 OEM	Pinion Assembly	1	NS T-1520	8-1075	Shield Hose 12 1/2'	1	
NS T-1532	9-2105		Negative Lead, Green, 12-1/2'	1	NS T-1521	8-1497	Shield Hose 25'	1	
NS T-1533	8-1494		Negative Lead, Green, 25'	1	NS T-1446	8-3138	Sleeving 12 1/2'	1	
NS T-1534	9-2107		Positive Lead, Red 12-1/2'	1	NS T-1447	8-3139	Sleeving 25'	1	

### Torch / Lead Sets with Quick Disconnect (QD)

Item	Part No.	Ref. No.	Description	Std. Pkg.	Item	Part No.	Ref. No.	Description	Std. Pkg.
NS T-4106	2-2100		Hand Torch 70° w/ 12.5' Leads & QD	1	NS T-4887	2-2102		Hand Torch 180° w/ 12.5' Leads & QD	1
NS T-4888	2-2104		Hand Torch 70° w/ 25' Leads & QD	1	NS T-4891	2-2106		Hand Torch 180° w/ 25' Leads & QD	1
NS T-4899	2-2101		Hand Torch 90° w/ 12.5' Leads & QD	1	NS T-4884	2-2103		Machine Torch 180° w/ 12.5' Leads & QD	1
NS T-4890	2-2105		Hand Torch 90° w/ 25' Leads & QD	1	NS T-4892	2-2107		Machine Torch 180° w/ 25' Leads & QD	1

### Torch / Lead Sets without Quick Disconnect (QD)

Item	Part No.	Ref. No.	Description	Std. Pkg.	Item	Part No.	Ref. No.	Description	Std. Pkg.
NS T-1528	2-2443		Hand Torch 70° with 12.5' Leads	1	NS T-4872	2-2108		Hand Torch 180° w/ 25' Leads	1
NS T-1529	2-2505		Hand Torch 70° with 25' Leads	1	NS T-1530	2-2480		Machine Torch W/ 12.5' Leads	1
NS T-4870	2-2504		Hand Torch, 70° w/ 25' Leads	1	NS T-0774	2-2840		Machine Torch w/12.5' Leads	1
NS T-0772	2-2444		Hand Torch 90° w/ Leads 12.5'	1	NS T-1531	2-2594		Machine Torch w/ Leads 25'	1
NS T-0775	2-2506		Hand Torch 90° w/ 25' Leads	1	NS T-1526	4-2539		Leads 12.5'	1
NS T-4871	2-3002		Hand Torch 180° w/ 12.5' Leads	1	NS T-1527	4-2585		Leads 25'	1

THERMACUT®, FHT-EX® AND EX-TAFIRE® ARE REGISTERED TRADEMARKS OF THERMACUT, K. S. AND MAY BE REGISTERED IN CZECH REPUBLIC AND/OR OTHER COUNTRIES. ALL OTHER TRADEMARKS ARE PROPERTIES OF THEIR RESPECTIVE OWNERS. THERMACUT IS NO WAY AFFILIATED WITH Thermal Dynamics®.

MOST THERMACUT PARTS ARE MADE FOR OR BY AN IBG COMPANY. PARTS INDICATED WITH A OEM ARE ORIGINAL PARTS MANUFACTURED BY THE ABOVE NAMED MANUFACTURER AND ARE BEING RESOLD BY THERMACUT. THERMACUT RESERVES THE RIGHT TO SUBSTITUTE OEM PARTS IN PLACE OF THERMACUT PARTS.

VALID FROM JULY 2017 • PREVIOUS VERSION IS NO LONGER VALID. • © COPYRIGHT 2017 BY THERMACUT® CZECH REPUBLIC. ALL RIGHTS RESERVED.

- This page intentionally left blank -

# REPLACEMENT PARTS SUITABLE FOR THERMAL DYNAMICS®

## PWH/M 3A WELDING TORCH



Item	Part No.	Ref. No.	Description	Std. Pkg.	Item	Part No.	Ref. No.	Description	Std. Pkg.
1.	T-1505	8-3040	Shield Cup	1	8.	T-1500	8-3032	Torch Head Assembly (180° offset)	1
	T-1911	8-3038	Shield Cup Standard Weight	1		T-1499	8-3030	Torch Head 70°	1
2.	T-1506	8-3052	Tip, .014, 10A – Std.	10		T-1036	8-3031	Torch Head 90°	1
	T-1508	9-1782	Tip, .031, 30A – Std.	10	9.	T-1027	8-0527	O-Ring Electrode Cap	10
	T-1509	9-1783	Tip, .046, 50A – Std.	10	10.	T-1502	9-1780	Collet	1
	T-1510	9-1784	Tip, .062, 75A – Std.	10	11.	T-1504	9-1779	Electrode Cap – Standard	1
	T-1511	9-1785	Tip, .081, 100A – Std.	10	12.	T-0777	9-1803	Electrode Cap – Extended	1
	T-1512	9-1795	Tip, .093, 150A – Std.	10	NS		9-1757	PWH Handle	1
3.	T-1513	9-1788	Tip Long, .031, 10A – Ext.	10	NS		9-1778 OEM	Sleeve	1
	T-1514	9-1789	Tip Long, .046, 20A – Ext.	10	NS		8-4018	Nut	1
	T-1515	9-1790	Tip Long, .062, 55A – Ext.	10	NS		9-1901	Adaptor	1
	T-1516	9-1791	Tip Long, .081, 75A – Ext.	10	NS		8-5005	Positioning Tube	1
	T-1517	9-1811	Tip Long, .093, 85A – Ext.	10	NS		8-4204	End Cap	1
4.	T-1518	9-2240	Gas Distributor Insulating Sleeve	1	NS		9-1810	Gage/Wrench	1
5.	T-1503	9-1747	Electrode	1	NS	KT-1069	4-2615	PWH/M 3A Cable Leads 3,8m (12,5') Hand/Mach.	1
6.	T-1498	8-3059	Gas Diffuser	1	NS	KT-1474	4-2624	PWH/M 3A Cable Leads 7,6m (25') Hand/Mach.	1
7.	T-1519	8-3057	Gasket – Shield Cup	5	NS	KT-1067	2-2616	PWH 3A Hand Torch 180° 3,8m	1

NS NOT SHOWN IN THE PICTURE

THERMACUT®, FHT-EX® AND EX-TRAFIRE® ARE REGISTERED TRADEMARKS OF THERMACUT, K. S. AND MAY BE REGISTERED IN CZECH REPUBLIC AND/OR OTHER COUNTRIES. ALL OTHER TRADEMARKS ARE PROPERTIES OF THEIR RESPECTIVE OWNERS. THERMACUT IS NO WAY AFFILIATED WITH Thermal Dynamics®. MOST THERMACUT PARTS ARE MADE FOR OR BY AN IBG COMPANY. PARTS INDICATED WITH A OEM ARE ORIGINAL PARTS MANUFACTURED BY THE ABOVE NAMED MANUFACTURER AND ARE BEING RESOLD BY THERMACUT. THERMACUT RESERVES THE RIGHT TO SUBSTITUTE OEM PARTS IN PLACE OF THERMACUT PARTS.  
VALID FROM JULY 2017 • PREVIOUS VERSION IS NO LONGER VALID. • © COPYRIGHT 2017 BY THERMACUT® CZECH REPUBLIC. ALL RIGHTS RESERVED.

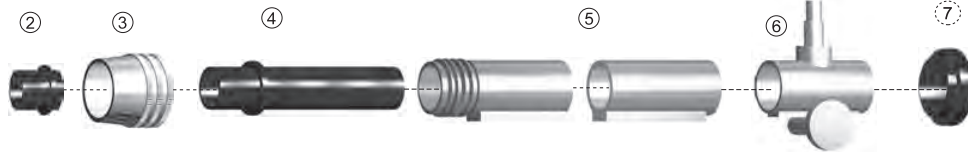
# REPLACEMENT PARTS SUITABLE FOR THERMAL DYNAMICS®

## PWH/M 3A WELDING TORCH ACCESSORIES

### Hand Torch



### Machine Torch



### Common Lead Set Components

Item	Part No.	Ref. No.	Description	Std. Pkg	Item	Part No.	Ref. No.	Description	Std. Pkg.
1.	T-9991	T-9991	Handle	1	NS T-1474	8-3029	Positive Lead 12-1/2'	1	
2.	T-1465	9-1778 OEM	Sleeve	1	NS T-1475	8-1500	Positive Lead 25'	1	
3.	T-0157	8-4018	Nut	1	NS T-1536	8-1074	Plasma Hose 12-1/2'	1	
4.	T-0183	9-1901 OEM	Adapter	1	NS T-1537	8-1496	Plasma Hose 25'	1	
5.	T-0159	8-5005	Mounting Tube	1	NS T-1520	8-1075	Shield Hose 12-1/2'	1	
6.	T-0160	7-2827 OEM	Pinion Assembly	1	NS T-1521	8-1497	Shield Hose 25'	1	
7.	T-0161	8-4204	Bushing	1	NS T-1446	8-3138	Sleeving 12-1/2'	1	
NS	T-1472	8-3028	Negative Lead 12-1/2'	1	NS T-1447	8-3139	Sleeving 25'	1	
NS	T-1473	8-1499	Negative Lead 25'	1	NS T-1810	9-1810	Wrench/ Gage	1	

### Torch / Lead Sets with Quick Disconnect (QD)

Item	Part No.	Ref. No.	Description	Std. Pkg	Item	Part No.	Ref. No.	Description	Std. Pkg.
NS	T-4885	2-2110	Torch 70° W/12 1/2' Leads & QD	1	NS	T-4031	2-2112	Hand Torch 180° w/ 12.5' Leads & QD	1
NS	T-4886	2-2114	Hand Torch 70° w/25' Leads & QD	1	NS	T-4170	2-2116	Hand Torch 180° w/ 25' Leads & QD	1
NS	T-4181	2-2111	Hand Torch 90° w/ 12.5' Leads & QD	1	NS	T-4893	2-2113	Machine Torch 180° w/ 12.5' Leads & QD	1
NS	T-4013	2-2115	Hand Torch 90° w/ 25' Leads & QD	1	NS	T-3925	2-2117	Machine Torch w/ 25' Leads & QD	1

### Torch / Lead Sets without Quick Disconnect (QD)

Item	Part No.	Ref. No.	Description	Std. Pkg	Item	Part No.	Ref. No.	Description	Std. Pkg.
NS	T-1466	4-2615	Leads 12 1/2'	1	NS	T-2953	2-2623	Hand Torch 90° w/ 25' Leads	1
NS	T-1467	4-2624	Leads 25'	1	NS	T-2868	2-2616	Hand Torch 180° w/ 12.5' Leads	1
NS	T-1468	2-2527	Torch 70° W/12 1/2' Leads	1	NS	T-4874	2-2621	Hand Torch 180° w/ 25' Leads	1
NS	T-1469	2-2599	Torch 70° W/25' Leads	1	NS	T-1470	2-2531	Machine Torch W/12 1/2' Leads	1
NS	T-4873	2-2529	Hand Torch 90° w/ 12.5' Leads	1	NS	T-1471	2-2624	Machine Torch W/25' Leads	1

THERMACUT®, FHT-EX® AND EX-TRAFIRE® ARE REGISTERED TRADEMARKS OF THERMACUT, K. S. AND MAY BE REGISTERED IN CZECH REPUBLIC AND/OR OTHER COUNTRIES. ALL OTHER TRADEMARKS ARE PROPERTIES OF THEIR RESPECTIVE OWNERS. THERMACUT IS NO WAY AFFILIATED WITH Thermal Dynamics®. MOST THERMACUT PARTS ARE MADE FOR OR BY AN IBG COMPANY. PARTS INDICATED WITH A OEM ARE ORIGINAL PARTS MANUFACTURED BY THE ABOVE NAMED MANUFACTURER AND ARE BEING RESOLD BY THERMACUT. THERMACUT RESERVES THE RIGHT TO SUBSTITUTE OEM PARTS IN PLACE OF THERMACUT PARTS.  
VALID FROM JULY 2017 • PREVIOUS VERSION IS NO LONGER VALID. • © COPYRIGHT 2017 BY THERMACUT® CZECH REPUBLIC. ALL RIGHTS RESERVED.



# REPLACEMENT PARTS SUITABLE FOR THERMAL DYNAMICS®

## PWH/M 4A WELDING TORCH



Item	Part No.	Ref. No.	Description	Std. Pkg.	Item	Part No.	Ref. No.	Description	Std. Pkg.
1.	T-1448	8-4062	Shield Cup	5	T0075	8-4015		Torch Head Assembly 90°	1
	T-12352	8-4064 OEM	Shield Cup with Lens	5	T-1461	8-4054		Torch Head Assembly 180° inline	1
2.	T-1451	9-1847	Tip, (.062), 100 A - Std.	10	11.	T-1463	9-1876	Collet	1
	T-1452	9-1848	Tip, (.093), 125 A - Std.	10	12.	T-2144	9-1877	Electrode Cap Extended	1
	T-1453	9-1849	Tip, (.125), 250 A - Std.	10	NS	T-2146	9-2204	Gas Distributor	1
3.	T-1020	9-1890	Tip, (.062), 100 A - Ext.	10	NS	T-0157	8-4018	Nut	1
	T-2145	9-1891	Tip, (.093), 125 A - Ext.	10	NS	T-0183	9-1901	Adaptor	1
	T-2355	9-1892	Tip, (.125), 250 A - Ext.	5	NS	T-0159	8-5005	Positioning Tube	1
4.	T-1454	9-1827	Electrode (.187) - Std.	5	NS	KT-1357	2-2125	PWH 4A® 70° Torch with Leads 7,6m (25'), centr.conn.	1
	T-2134	9-1834	Electrode (.187) - Ext.	5	NS	KT-1377	2-2829	PWH 4A® 180° Torch with Leads 7,6m (25'), centr.conn.	1
5.	T-2105	8-4011	Liner (without Gas Distributor)	1	NS	KT-1207	9-3088	PWH, M4A® Hose, shield, 4A/6A, 25'	1
6.	T-1455**	8-4012-UR	Liner (Gas Distributor included)	1	NS	KT-1206	8-1505	PWH, M4A® Hose, plas., 25'	1
7.	T-1458	8-4024	Collar	1	NS	KT-1186	9-2079	PWH, M4A® Lead, neg. W.C., 12,5' (3,8m)	1
8.	T-11543	8-4040 OEM	Shield Gas Diffuser - Threaded	1	NS	KT-1200	9-2081	PWH, M4A® Lead, pos. W.C., 12,5' (3,8m)	1
9.	T-0197	8-4069	Gasket - Shield Cup	5	NS	KT-1201	8-1398	PWH, M4A® Lead, neg. W.C., 25' (7,6m)	1
10.	T-1460	8-4014	Torch Head Assembly 70°	1	NS	KT-1202	8-1399	PWH, M4A® Lead, pos. W.C., 25' (7,6m)	1
	T-1303	8-4016	Torch Head Assembly 180° offset	1					

\*\* A UNIQUE DESIGN WHICH ENHANCES PERFORMANCE AND DIFFERS FROM OEM DESIGNS

NS NOT SHOWN IN THE PICTURE

THERMACUT®, FHT-EX® AND EX-TRAFIRE® ARE REGISTERED TRADEMARKS OF THERMACUT, K. S. AND MAY BE REGISTERED IN CZECH REPUBLIC AND/OR OTHER COUNTRIES. ALL OTHER TRADEMARKS ARE PROPERTIES OF THEIR RESPECTIVE OWNERS. THERMACUT IS NO WAY AFFILIATED WITH Thermal Dynamics®.

MOST THERMACUT PARTS ARE MADE FOR OR BY AN IBG COMPANY. PARTS INDICATED WITH A OEM ARE ORIGINAL PARTS MANUFACTURED BY THE ABOVE NAMED MANUFACTURER AND ARE BEING RESOLD BY THERMACUT. THERMACUT RESERVES THE RIGHT TO SUBSTITUTE OEM PARTS IN PLACE OF THERMACUT PARTS.

VALID FROM JULY 2017 • PREVIOUS VERSION IS NO LONGER VALID. • © COPYRIGHT 2017 BY THERMACUT® CZECH REPUBLIC. ALL RIGHTS RESERVED.

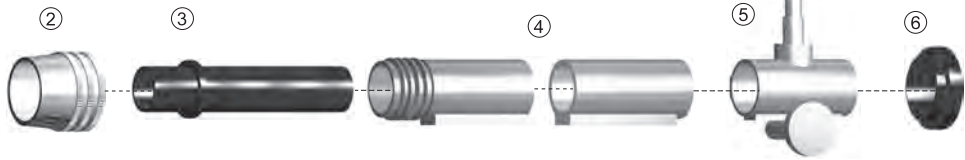
# REPLACEMENT PARTS SUITABLE FOR THERMAL DYNAMICS®

## PWH/M 4A WELDING TORCH ACCESSORIES

### Hand Torch



### Machine Torch



### Common Lead Set Components

Item	Part No.	Ref. No.	Description	Std. Pkg	Item	Part No.	Ref. No.	Description	Std. Pkg.
1.	T-0760	9-5914 OEM	Handle	1	NS	T-1442	8-0142	Plasma Hose 12.5'	1
2.	T-0157	8-4018	Nut	1	NS	T-1443	8-1505	Plasma Hose 25'	1
3.	T-0183	9-1901 OEM	Adapter	1	NS	T-1444	9-3086	Shield Hose 12.5'	1
4.	T-0159	8-5005	Mounting Tube	1	NS	T-1445	9-3088	Shield Hose 25'	1
5.	T-0160	7-2827 OEM	Pinion Assembly	1	NS	T-1446	8-3138	Sleeving 12.5'	1
6.	T-0161	8-4204	Bushing	1	NS	T-1447	8-3139	Sleeving 25'	1
	NS T-1438	9-2079	Negative Lead 12.5'	1	NS	T-0811	9-1873	Wrench / Gage	1
	NS T-1439	8-1398	Negative Lead 25'	1	NS	T-1432	4-2525	Leads 12.5'	1
	NS T-1440	9-2081	Positive Lead 12.5'	1	NS	T-1433	4-2544	Leads, 25'	1
	NS T-1441	8-1399	Positive Lead 25'	1					

### Torch / Lead Sets with Quick Disconnect (QD)

Item	Part No.	Ref. No.	Description	Std. Pkg	Item	Part No.	Ref. No.	Description	Std. Pkg.
NS	T-4092	2-2120	Hand Torch 70° w/ 12.5' Leads & QD	1	NS	T-4897	2-2122	Machine Torch 180° w/ 12.5' Leads & QD	1
NS	T-4562	2-2125	Hand Torch 70° w/ 25' Leads & QD	1	NS	T-4896	2-2128	Machine Torch 180° w/ 25' Leads & QD	1
NS	T-4880	2-2119	Hand Torch 90° w/ 12.5' Leads & QD	1	NS	T-4894	2-2123	Hand Torch 180° w/ 12.5' Leads & QD	1
NS	T-4887	2-2126	Hand Torch 90° w/ 25' Leads & QD	1	NS	T-4899	2-2129	Hand Torch 180° w/ 25' Leads & QD	1
NS	T-4898	2-2121	Hand Torch 180° w/ 12.5' Leads & QD	1	NS	T-4882	2-2124	Machine Torch 180° w/ 12.5' Leads & QD	1
NS	T-4895	2-2127	Hand Torch 180° w/ 25' Leads & QD	1	NS	T-4883	2-2130	Machine Torch 180° w/ 25' Leads & QD	1
NS	KT-1377	2-2829	Hand Torch 180° w/ 25' Leads & QD	1					

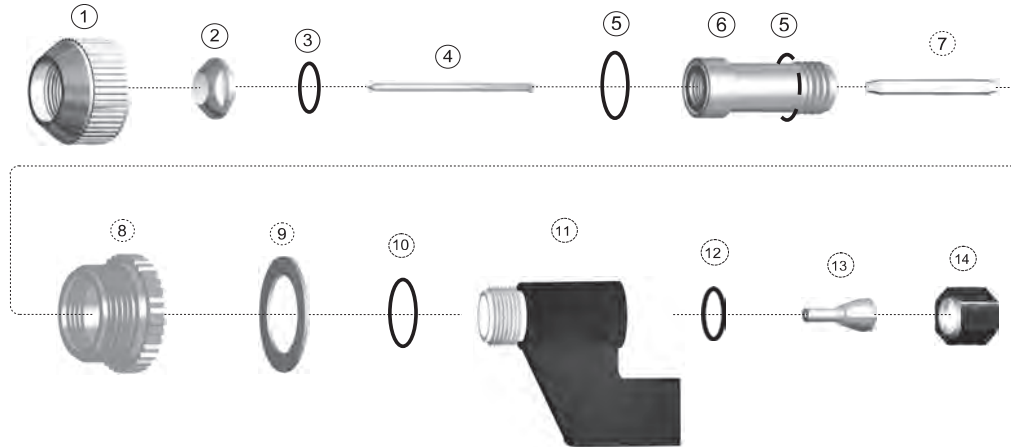
### Torch / Lead Sets without Quick Disconnect (QD)

Item	Part No.	Ref. No.	Description	Std. Pkg	Item	Part No.	Ref. No.	Description	Std. Pkg.
NS	T-1434	2-2821	Hand Torch 70° w/ 12.5' Leads	1	NS	T-1437	2-2592	Machine Torch 180° Offset w/ 25' Leads	1
NS	T-1435	2-2820	Hand Torch 70° w/ 25' Leads	1	NS	T-4878	2-2850	Hand Torch 180° w/ 12.5' Leads	1
NS	T-4875	2-2819	Hand Torch 90° w/ 12.5' Leads	1	NS	T-4531	2-2851	Hand Torch 180° w/ 25' Leads	1
NS	T-2917	2-2818	Hand Torch 90° w/ 25' Leads	1	NS	T-2869	2-2803	Machine Torch 180° Inline w/ 12.5' Leads	1
NS	T-1436	2-2482	Machine Torch 180° Offset w/ 12.5' Leads	1	NS	T-3869	2-2804	Machine Torch 180° Inline w/ 25' Leads	1

THERMACUT®, FHT-EX® AND EX-TRAFIRE® ARE REGISTERED TRADEMARKS OF THERMACUT, K. S. AND MAY BE REGISTERED IN CZECH REPUBLIC AND/OR OTHER COUNTRIES. ALL OTHER TRADEMARKS ARE PROPERTIES OF THEIR RESPECTIVE OWNERS. THERMACUT IS NO WAY AFFILIATED WITH Thermal Dynamics®. MOST THERMACUT PARTS ARE MADE FOR OR BY AN IBG COMPANY. PARTS INDICATED WITH A OEM ARE ORIGINAL PARTS MANUFACTURED BY THE ABOVE NAMED MANUFACTURER AND ARE BEING RESOLD BY THERMACUT. THERMACUT RESERVES THE RIGHT TO SUBSTITUTE OEM PARTS IN PLACE OF THERMACUT PARTS. VALID FROM JULY 2017 • PREVIOUS VERSION IS NO LONGER VALID. © COPYRIGHT 2017 BY THERMACUT® CZECH REPUBLIC. ALL RIGHTS RESERVED.

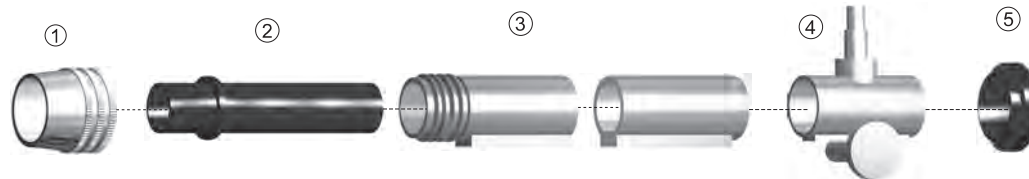
# REPLACEMENT PARTS SUITABLE FOR THERMAL DYNAMICS®

## PWM 300 WELDING TORCH



Item	Part No.	Ref. No.	Description	Std. Pkg.	Item	Part No.	Ref. No.	Description	Std. Pkg.
1.	T-2360	8-4373	End Cap	1	7.	T-2365	8-6651	Insulating Sleeve	1
2.	T-2361	8-4370	Tip, .093, 200A	5	8.	T-2366	8-6652	Shield Cup Diffuser	1
	T-2362	8-4371	Tip, .113, 250A	5	9.	T-0230	8-6512	Gasket	5
	T-2363	8-4372	Tip, .125, 300A	5	10.	T-0108	8-0531	O-Ring	10
3.	T-2152	9-2863	O-Ring	10	11.	T-2369	8-6649	Torch Body	1
4.	T-1454	9-1827	Electrode	5	12.	T-2082	8-0534	O-Ring	10
5.	T-1029	9-2956	O-Ring	10	13.	T-2367	8-6650	Collet	1
6.	T-2364	8-6509	Liner (includes 50-720S 2x)	1	14.	T-2368	8-6654	Electrode Cap	1

## ACCESSORIES



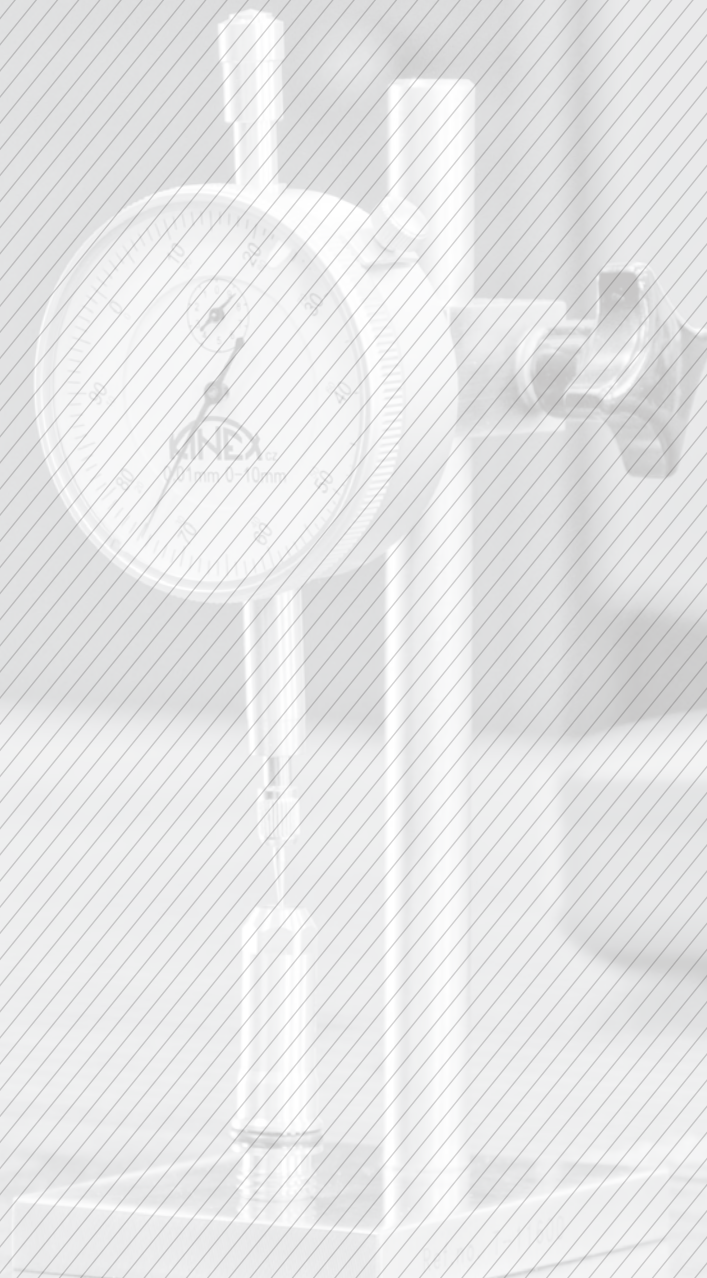
Item	Part No.	Ref. No.	Description	Std. Pkg.	Item	Part No.	Ref. No.	Description	Std. Pkg.
1.	T-0157	8-4018	Nut	1	NS	T-2866	2-2845	PMW300 with 12.5' Leads	1
2.	T-0183	9-1901	Adapter	1	NS	T-2867	2-2846	PMW300 with 25' Leads	1
3.	T-0159	8-5005	Mounting Tube	1	NS	KT-1207 (T-1445)	9-3088	PWH, M4A® Hose, shield, 4A/6A, 25'	1
4.	T-0160	7-2827 OEM	Pinion Assembly	1	NS	KT-1206 (T-1443)	8-1505	PWH, M4A® Hose, plas., 25'	1
5.	T-0161	8-4204	Bushing	1	NS	KT-1186 (T-1438)	9-2079	PWH, M4A® Lead, neg. W.C., 12,5' (3,8m)	1
NS	KT-1199	4-2525	Torch Leads, 12.5 ft.	1	NS	KT-1200 (T-1440)	9-2081	PWH, M4A® Lead, pos. W.C., 12,5' (3,8m)	1
NS	KT-1204	4-2544	Torch Leads, 25 ft.	1	NS	KT-1201 (T-1439)	8-1398	PWH, M4A® Lead, neg. W.C., 25' (7,6m)	1
NS	T-0236	8-6517 OEM	Wrench	1	NS	KT-1202 (T-1441)	8-1399	PWH, M4A® Lead, pos. W.C., 25' (7,6m)	1

NS NOT SHOWN IN THE PICTURE

THERMACUT®, FHT-EX® AND EX-TRAFIRE® ARE REGISTERED TRADEMARKS OF THERMACUT, K. S. AND MAY BE REGISTERED IN CZECH REPUBLIC AND/OR OTHER COUNTRIES. ALL OTHER TRADEMARKS ARE PROPERTIES OF THEIR RESPECTIVE OWNERS. THERMACUT IS NO WAY AFFILIATED WITH Thermal Dynamics®. MOST THERMACUT PARTS ARE MADE FOR OR BY AN IBG COMPANY. PARTS INDICATED WITH A OEM ARE ORIGINAL PARTS MANUFACTURED BY THE ABOVE NAMED MANUFACTURER AND ARE BEING RESOLD BY THERMACUT. THERMACUT RESERVES THE RIGHT TO SUBSTITUTE OEM PARTS IN PLACE OF THERMACUT PARTS. VALID FROM JULY 2017 • PREVIOUS VERSION IS NO LONGER VALID. • © COPYRIGHT 2017 BY THERMACUT® CZECH REPUBLIC. ALL RIGHTS RESERVED.



# ACCESSORIES





# THERMACUT

## Coolant Liquid

1



THERMACUT COOLANTS ARE SUITABLE FOR PLASMA CUTTING AND WELDING, AS WELL AS FOR WELDING PROCESSES MIG, MAG, TIG (WIG) AND OTHER INDUSTRIAL APPLICATIONS.

- SPECIFICATION: MAX. CONDUCTIVITY 10 S/CM, PH 6-8, RESISTS FREEZING TO -12 °C (+10 °F).
- CFPG COMPOSITION: DE-IONIZED WATER AND PROPYLENE GLYCOL.
- CF2 COMPOSITION: DE-IONIZED WATER AND ETHYLENE GLYCOL.
- COOLANT IS FULLY COMPATIBLE AND MIXABLE WITH ORIGINAL COOLANTS.
- ECOLOGICAL, FULLY DEGRADABLE IN THE ENVIRONMENT.

Item	Part No	Ref. No.	Description	Std. Pkg
1.		CFPG-1G	Inhibited Propylene Glycol based coolant	4
		CF2-1G	Ethylene Glycol based coolant	4

## Anti-Spatter Spray

2



- PROVIDES INSTANT SHIELDING ACTION AGAINST SPATTER
- HIGHLY HEAT RESISTANT
- REDUCES DOWNTIME DUE TO SPATTER BUILD-UP
- NO SHAKING OR MIXING NECESSARY
- WILL NOT SPREAD BEYOND POINT OF IMPACT
- PAINT COMPATIBLE AND RESIDUAL SPATTER MAY BE BRUSHED OR WIPED AWAY BEFORE PAINTING

Item	Part No	Ref. No.	Description	Std. Pkg
2.		ES-16-A	Anti-spatter spray - water based	1
		AS-16-A	Anti-spatter spray - 16 OZ	1
		T-12762	Anti-spatter - Ceramic	1

## Plasma Table Fluid

Item	Part No	Ref. No.	Description	Std. Pkg
NS		PATF-SG	Plasma Table Fluid	1

# THERMACUT

## Electrical Conductivity Meter



VIDEO AVAILABLE AT YOUTUBE CHANEL ▶



Professional tool for checking coolant condition...includes a sturdy plastic case. For use in Plasma, MIG, TIG (WIG). Coolant conductivity above a specific limit dramatically decreases consumable lifetime and increases costs of cutting (welding).

Item	Part No	Ref. No.	Description	Std. Pkg
1.	T-12800	T-12800	Electrical Conductivity Meter	1



PRODUCT BROCHURE WITH DETAILS AT  
[WWW.THERMACUT.COM](http://WWW.THERMACUT.COM)

VIDEO AVAILABLE AT YOUTUBE CHANEL ▶



## Electrode Pit-Depth Gauge



- Electrode Pit-Depth Gauge allows the operator to determine how much electrode life remains.
- Replacing the electrode at the same time as the nozzle could mean replacing electrodes which still are working properly.
- Cost-saving investment.
- Sturdy carrying case included.
- See product brochere for electrode burn limits and product details.

Item	Part No	Ref. No.	Description	Std. Pkg
1.	T-11600	T-11600	Electrode Pt-Depth Gauge	1



This filter for compressed air has been designed to remove moisture, oil aerosols, and particulates coming from the air compressor. It provides clean, dry, and oil-free air...essential for any industrial application.

The filter must be installed as close as possible downstream of the air pressure regulator, in addition to dryers and other filters rather than replacement of these items. The Filter-EX will remove oil aerosols, smoke, moisture, and particulates passing through the conventional equipment.

#### Data Sheet

Filtering Degree: 0.01  $\mu$ inch - 0.25  $\mu$ m

Maximum Pressure: 125 PSI - 8.5 bar

Maximum Flow @ 80%: 2700 SCFH - 1250 l/min.

Temperature Range: 15 - 140F / -10 +60 °C

Size Pipe: 1/4 NPT

Dimension:  $\varnothing$  5.2" x 7.9" -  $\varnothing$  132 x 200 mm

Item	Part No	Ref. No.	Description	Std. Pkg
1.	T-12452	T-12452	Air filter	1
2.	T-12453	T-12453	Cartridge for Air Filter	8

## Heat Shield Grease



This grease will create a strong heat barrier on the torch shield and effectively protect the consumables against melted spatter, which can destroy them.

- Highly effective for high amperage cutting or aluminum cutting applications.

- Please see product brochure for details.

Item	Part No	Ref. No.	Description	Std. Pkg
1.	T-12777	T-12777	Heat Shield Grease, 500ml	1
	T-11701	T-11701	Heat Shield Grease, 50ml	1

# THERMACUT

## Silicone Lubricant



Silicone lubricant makes consumable change-outs easy and helps avoid gas/coolant leaks. Stable in high temperatures.

Item	Part No	Ref. No.	Description	Std. Pkg
1.	T0994	T0994	Silicone Lubricant 25ml	1

## Safety Glass Shield



Item	Part No	Ref. No.	Description	Std. Pkg
1.	T-11768	T-11768	Safety glass shield	1



# OXY FUEL CUTTING

## REPLACEMENT PARTS SUITABLE FOR

### AIRCO® MODEL



Part No.	Ref. No.	Description	Part No.	Ref. No.	Description
854-4400	144-0	Tip, Acetylene-Oxygen	854-4403	144-3	Tip, Acetylene-Oxygen
854-4401	144-1	Tip, Acetylene-Oxygen	854-4404	144-4	Tip, Acetylene-Oxygen
854-4402	144-2	Tip, Acetylene-Oxygen			

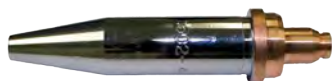


Part No.	Ref. No.	Description	Part No.	Ref. No.	Description
854-6499	164-00	Tip, Acetylene-Oxygen	854-6402	164-2	Tip, Acetylene-Oxygen
854-6400	164-0	Tip, Acetylene-Oxygen	854-6403	164-3	Tip, Acetylene-Oxygen
854-6401	164-1	Tip, Acetylene-Oxygen	854-6404	164-4	Tip, Acetylene-Oxygen



Part No.	Ref. No.	Description	Part No.	Ref. No.	Description
	261-2	Tip, Propane/NG-Oxygen			

### OXWELD® MODEL



Part No.	Ref. No.	Description	Part No.	Ref. No.	Description
08Z67	1502-3	Tip, Acetylene-Oxygen	15Z18	1502-6	Tip, Acetylene-Oxygen
15Z17	1502-4	Tip, Acetylene-Oxygen	15Z19	1502-8	Tip, Acetylene-Oxygen

THERMACUT®, FHT-EX® AND EX-TRAFIRE® ARE THE REGISTERED TRADEMARKS OF THERMACUT K.S. AND MAY BE REGISTERED IN THE CZECH REPUBLIC AND/OR OTHER COUNTRIES. ALL OTHER TRADEMARKS ARE PROPERTIES OF THEIR RESPECTIVE OWNERS. THERMACUT IS NO WAY AFFILIATED WITH AIRCO®, OXWELD®. MOST THERMACUT PARTS ARE MADE FOR OR BY AN IBG COMPANY. PARTS INDICATED WITH OEM SUFFIX ARE ORIGINAL PARTS MANUFACTURED BY THE ABOVE-NAMED MANUFACTURER AND ARE BEING RESOLD BY THERMACUT. THERMACUT RESERVES THE RIGHT TO SUBSTITUTE OEM PARTS IN PLACE OF THERMACUT PARTS. VALID FROM OCTOBER 2017 • PREVIOUS VERSION IS NO LONGER VALID. THIS CATALOG IS VALID FOR USA CUSTOMERS ONLY. • © COPYRIGHT 2017 BY THERMACUT® CZECH REPUBLIC. ALL RIGHTS RESERVED.

## REPLACEMENT PARTS SUITABLE FOR

# HARRIS® MODEL



Part No.	Ref. No.	Description	Part No.	Ref. No.	Description
1500820	6290-00	Tip, Acetylene-Oxygen	1500860	6290-3	Tip, Acetylene-Oxygen
1500830	6290-0	Tip, Acetylene-Oxygen	1500870	6290-4	Tip, Acetylene-Oxygen
1500840	6290-1	Tip, Acetylene-Oxygen	1500880	6290-5	Tip, Acetylene-Oxygen
1500850	6290-2	Tip, Acetylene-Oxygen			



Part No.	Ref. No.	Description	Part No.	Ref. No.	Description
1501230	6290 NX-1	Tip, Propane/NG-Oxygen	1501260	6290 NX-4	Tip, Propane/NG-Oxygen
1501240	6290 NX-2	Tip, Propane/NG-Oxygen	1501280	6290 NX-6	Tip, Propane/NG-Oxygen
1501250	6290 NX-3	Tip, Propane/NG-Oxygen			



Part No.	Ref. No.	Description	Part No.	Ref. No.	Description
1501020	6290-NFF-1	Tip, Propane/NG-Oxygen	1501050	6290-NFF-4	Tip, Propane/NG-Oxygen
1501030	6290-NFF-2	Tip, Propane/NG-Oxygen	1501060	6290-NFF-5	Tip, Propane/NG-Oxygen
1501040	6290-NFF-3	Tip, Propane/NG-Oxygen	1501070	6290-NFF-6	Tip, Propane/NG-Oxygen



Part No.	Ref. No.	Description	Part No.	Ref. No.	Description
1501340	6290-VVC-00	Tip, Propane/NG-Oxygen	1501420	6290-VVC-4	Tip, Propane/NG-Oxygen
1501350	6290-VVC-0	Tip, Propane/NG-Oxygen	A-1159	6290-VVC5/0	Tip, Propane/NG-Oxygen
1501360	6290-VVC-0.5	Tip, Propane/NG-Oxygen	A-1160	6290-VVC4/0	Tip, Propane/NG-Oxygen
1501370	6290-VVC-1	Tip, Propane/NG-Oxygen	A-1161	6290-VVC3/0	Tip, Propane/NG-Oxygen
1501380	6290-VVC-1.5	Tip, Propane/NG-Oxygen	A-1168	6290-VVC2.5	Tip, Propane/NG-Oxygen
1501390	6290-VVC-2	Tip, Propane/NG-Oxygen	A-1171	6290-VVC5	Tip, Propane/NG-Oxygen
1501410	6290-VVC-3	Tip, Propane/NG-Oxygen	A-1172	6290-VVC5.5	Tip, Propane/NG-Oxygen

Part No.	Ref. No.	Description	Part No.	Ref. No.	Description
A-1304	6290-VAX1	Tip, Oxy-Acetylene	A-1307	6290-VAX4	Tip, Oxy-Acetylene
A-1305	6290-VAX2	Tip, Oxy-Acetylene	A-1308	6290-VAX5	Tip, Oxy-Acetylene
A-1306	6290-VAX3	Tip, Oxy-Acetylene	A-1309	6290-VAX6	Tip, Oxy-Acetylene

THERMACUT®, FHT-EX® AND EX-TRAFIRE® ARE THE REGISTERED TRADEMARKS OF THERMACUT K.S. AND MAY BE REGISTERED IN THE CZECH REPUBLIC AND/OR OTHER COUNTRIES. ALL OTHER TRADEMARKS ARE PROPERTIES OF THEIR RESPECTIVE OWNERS. THERMACUT IS NO WAY AFFILIATED WITH HARRIS®. MOST THERMACUT PARTS ARE MADE FOR OR BY AN IBG COMPANY. PARTS INDICATED WITH OEM SUFFIX ARE ORIGINAL PARTS MANUFACTURED BY THE ABOVE-NAMED MANUFACTURER AND ARE BEING RESOLD BY THERMACUT. THERMACUT RESERVES THE RIGHT TO SUBSTITUTE OEM PARTS IN PLACE OF THERMACUT PARTS. VALID FROM OCTOBER 2017 • PREVIOUS VERSION IS NO LONGER VALID. THIS CATALOG IS VALID FOR USA CUSTOMERS ONLY. • © COPYRIGHT 2017 BY THERMACUT® CZECH REPUBLIC. ALL RIGHTS RESERVED.



## REPLACEMENT PARTS SUITABLE FOR

### PUROX® MODEL



Part No.	Ref. No.	Description	Part No.	Ref. No.	Description
638869	4202-2	Tip, Acetylene-Oxygen	16K11	4202-7	Tip, Acetylene-Oxygen
16K08	4202-3	Tip, Acetylene-Oxygen	16K12	4202-9	Tip, Acetylene-Oxygen
16K09	4202-4	Tip, Acetylene-Oxygen	16K13	4202-11	Tip, Acetylene-Oxygen
16K10	4202-5	Tip, Acetylene-Oxygen			

### SMITH® MODEL



Part No.	Ref. No.	Description	Part No.	Ref. No.	Description
	MC-12-0	Tip, Acetylene-Oxygen		MC-12-3	Tip, Acetylene-Oxygen
	MC-12-1	Tip, Acetylene-Oxygen		MC-12-4	Tip, Acetylene-Oxygen
	MC-12-2	Tip, Acetylene-Oxygen			



Part No.	Ref. No.	Description	Part No.	Ref. No.	Description
	SC-12-1	Tip, Acetylene-Oxygen		SC-12-3	Tip, Acetylene-Oxygen
	SC-12-2	Tip, Acetylene-Oxygen		SC-12-4	Tip, Acetylene-Oxygen



Part No.	Ref. No.	Description	Part No.	Ref. No.	Description
	SC-50-1	Tip, Propane/NG-Oxygen		SC-50-4	Tip, Propane/NG-Oxygen
	SC-50-2	Tip, Propane/NG-Oxygen		SC-50-5	Tip, Propane/NG-Oxygen
	SC-50-3	Tip, Propane/NG-Oxygen		SC-50-6	Tip, Propane/NG-Oxygen

THERMACUT®, FHT-EX® AND EX-TRAFIRE® ARE THE REGISTERED TRADEMARKS OF THERMACUT K.S. AND MAY BE REGISTERED IN THE CZECH REPUBLIC AND/OR OTHER COUNTRIES. ALL OTHER TRADEMARKS ARE PROPERTIES OF THEIR RESPECTIVE OWNERS. THERMACUT IS NO WAY AFFILIATED WITH PUROX®, SMITH®, VICTOR®. MOST THERMACUT PARTS ARE MADE FOR OR BY AN IBG COMPANY. PARTS INDICATED WITH OEM SUFFIX ARE ORIGINAL PARTS MANUFACTURED BY THE ABOVE-NAMED MANUFACTURER AND ARE BEING RESOLD BY THERMACUT. THERMACUT RESERVES THE RIGHT TO SUBSTITUTE OEM PARTS IN PLACE OF THERMACUT PARTS. VALID FROM OCTOBER 2017 • PREVIOUS VERSION IS NO LONGER VALID. THIS CATALOG IS VALID FOR USA CUSTOMERS ONLY. • © COPYRIGHT 2017 BY THERMACUT® CZECH REPUBLIC. ALL RIGHTS RESERVED.



## REPLACEMENT PARTS SUITABLE FOR

# VICTOR® MODEL



Part No.	Ref. No.	Description	Part No.	Ref. No.	Description
0330-0003	1-101-000	Tip, Acetylene-Oxygen	0330-0002	1-101-3	Tip, Acetylene-Oxygen
0330-0004	1-101-00	Tip, Acetylene-Oxygen	0330-0007	1-101-4	Tip, Acetylene-Oxygen
0330-0012	1-101-0	Tip, Acetylene-Oxygen	0330-0008	1-101-5	Tip, Acetylene-Oxygen
0330-0005	1-101-1	Tip, Acetylene-Oxygen	0330-0009	1-101-6	Tip, Acetylene-Oxygen
0330-0006	1-101-2	Tip, Acetylene-Oxygen			



Part No.	Ref. No.	Description	Part No.	Ref. No.	Description
0331-0009	3-101-00	Tip, Acetylene-Oxygen	0331-0015	3-101-2	Tip, Acetylene-Oxygen
0331-0013	3-101-0	Tip, Acetylene-Oxygen	0331-0016	3-101-3	Tip, Acetylene-Oxygen
0331-0014	3-101-1	Tip, Acetylene-Oxygen	0331-0017	3-101-4	Tip, Acetylene-Oxygen



Part No.	Ref. No.	Description	Part No.	Ref. No.	Description
0333-0302	1-GPN-0	Tip, Propane/NG-Oxygen	0333-0306	1-GPN-4	Tip, Propane/NG-Oxygen
0333-0303	1-GPN-1	Tip, Propane/NG-Oxygen	0333-0307	1-GPN-5	Tip, Propane/NG-Oxygen
0333-0304	1-GPN-2	Tip, Propane/NG-Oxygen	0333-0308	1-GPN-6	Tip, Propane/NG-Oxygen
0333-0305	1-GPN-3	Tip, Propane/NG-Oxygen			



Part No.	Ref. No.	Description	Part No.	Ref. No.	Description
0333-0400	3-GPN-1	Tip, Propane/NG-Oxygen	0333-0402	3-GPN-3	Tip, Propane/NG-Oxygen
0333-0401	3-GPN-2	Tip, Propane/NG-Oxygen	0333-0403	3-GPN-4	Tip, Propane/NG-Oxygen

THERMACUT®, FHT-EX® AND EX-TRAFIRE® ARE THE REGISTERED TRADEMARKS OF THERMACUT K.S. AND MAY BE REGISTERED IN THE CZECH REPUBLIC AND/OR OTHER COUNTRIES. ALL OTHER TRADEMARKS ARE PROPERTIES OF THEIR RESPECTIVE OWNERS. THERMACUT IS NO WAY AFFILIATED WITH ESAB®. MOST THERMACUT PARTS ARE MADE FOR OR BY AN IBG COMPANY. PARTS INDICATED WITH OEM SUFFIX ARE ORIGINAL PARTS MANUFACTURED BY THE ABOVE-NAMED MANUFACTURER AND ARE BEING RESOLD BY THERMACUT. THERMACUT RESERVES THE RIGHT TO SUBSTITUTE OEM PARTS IN PLACE OF THERMACUT PARTS. VALID FROM OCTOBER 2017 • PREVIOUS VERSION IS NO LONGER VALID. THIS CATALOG IS VALID FOR USA CUSTOMERS ONLY. • © COPYRIGHT 2017 BY THERMACUT® CZECH REPUBLIC. ALL RIGHTS RESERVED.

## REPLACEMENT PARTS SUITABLE FOR

### ESAB® MODEL

#### IPB-300L

Description: two-piece standard cutting tip for cutting up to 300 mm.

Gases: Oxygen - propane, natural gas, mixed gases.

Suitable for COOLJET-BIE™, BID™ and MULTIJET-BIF™ torch.



Item	Part No.	Ref. No.	Description, plate thickness	Packing
1.	A-1301	4.450.041	Cutting Tip 6-15 mm	5pcs
	A-1271	4.450.042	Cutting Tip 15-25 mm	5pcs
	A-1272	4.450.043	Cutting Tip 25-40 mm	5pcs
	A-1273	4.450.044	Cutting Tip 40-60 mm	5pcs
	A-1274	4.450.045	Cutting Tip 60-100 mm	5pcs
	A-1286	4.450.046	Cutting Tip 100-200 mm	5pcs
	A-1287	4.450.047	Cutting Tip 200-250 mm	5pcs
	A-1288	4.450.048	Cutting Tip 250-300 mm	5pcs
2.	A-1278	4.450.545	Heating Nozzle 3-200 mm	1pc
	A-1289	4.450.546	Heating Nozzle 200-300 mm	1pc
	A-1290	4.450.548	Heating Nozzle 250-300 mm for mixed gases only	1pc

#### IPD-300L

Description: two-piece standard cutting tip for cutting up to 300 mm.

Gases: Oxygen - propane, natural gas, mixed gases.

Suitable for COOLJET-BIE™, BID™ and MULTIJET-BIF™ torch.



Item	Part No.	Ref. No.	Description, plate thickness	Packing
1.	A-1355	4.450.262	Cutting Tip 10-25 mm	5pcs
	A-1356	4.450.263	Cutting Tip 25-50 mm	5pcs
	A-1357	4.450.264	Cutting Tip 50-75 mm	5pcs
	A-1358	4.450.265	Cutting Tip 75-100 mm	5pcs
	A-1286	4.450.046	Cutting Tip 100-200 mm	5pcs
	A-1287	4.450.047	Cutting Tip 200-250 mm	5pcs
	A-1288	4.450.048	Cutting Tip 250-300 mm	5pcs
	2.	A-1360	4.450.560	Heating Nozzle 3-100 mm
A-1278		4.450.545	Heating Nozzle 100-200 mm for propane only	1pc
A-1359		4.450.547	Heating Nozzle 100-200 mm for mixed gases only	1pc
A-1289		4.450.546	Heating Nozzle 200-300 mm for propane only	1pc
A-1290		4.450.548	Heating Nozzle 200-300 mm for mixed gases only	1pc

THERMACUT®, FHT-EX® and EX-TRAFIRE® ARE THE REGISTERED TRADEMARKS OF THERMACUT K.S. AND MAY BE REGISTERED IN THE CZECH REPUBLIC AND/OR OTHER COUNTRIES. ALL OTHER TRADEMARKS ARE PROPERTIES OF THEIR RESPECTIVE OWNERS. THERMACUT IS NO WAY AFFILIATED WITH ESAB®. MOST THERMACUT PARTS ARE MADE FOR OR BY AN IBC COMPANY. PARTS INDICATED WITH OEM SUFFIX ARE ORIGINAL PARTS MANUFACTURED BY THE ABOVE-NAMED MANUFACTURER AND ARE BEING RESOLD BY THERMACUT. THERMACUT RESERVES THE RIGHT TO SUBSTITUTE OEM PARTS IN PLACE OF THERMACUT PARTS. VALID FROM OCTOBER 2017 • PREVIOUS VERSION IS NO LONGER VALID. THIS CATALOG IS VALID FOR USA CUSTOMERS ONLY. • © COPYRIGHT 2017 BY THERMACUT® CZECH REPUBLIC. ALL RIGHTS RESERVED.

## REPLACEMENT PARTS SUITABLE FOR

### ESAB® MODEL

#### GPB-300L

Description: two-piece standard cutting tip for cutting up to 300 mm.

Gases: Oxygen - propane, natural gas, mixed gases.

Suitable for BGB™ torch.



Item	Part No.	Ref. No.	Description, plate thickness	Packing
1.	A-1301	4.450.041	Cutting Tip 6-15 mm (Part suitable for OEM set 4.450.091)*	5pcs
	A-1271	4.450.042	Cutting Tip 15-25 mm (Part suitable for OEM set 4.450.092)*	5pcs
	A-1272	4.450.043	Cutting Tip 25-40 mm (Part suitable for OEM set 4.450.093)*	5pcs
	A-1273	4.450.044	Cutting Tip 40-60 mm (Part suitable for OEM set 4.450.094)*	5pcs
	A-1274	4.450.045	Cutting Tip 60-100 mm (Part suitable for OEM set 4.450.095)*	5pcs
	A-1286	4.450.046	Cutting Tip 100-200 mm (Part suitable for OEM set 4.450.096)*	5pcs
	A-1287	4.450.047	Cutting Tip 200-250 mm (Part suitable for OEM set 4.450.097)*	5pcs
	A-1288	4.450.048	Cutting Tip 250-300 mm (Part suitable for OEM set 4.450.098)*	5pcs
2.	A-1312	4.450.584	Heating Nozzle 3-200 mm (Part suitable for OEM set 4.450.091- 4.450.096)*	1pc
	A-1313	4.450.585	Heating Nozzle 200-300 mm (Part suitable for OEM set 4.450.097- 4.450.098)*	1pc
3.		4.454.041 OEM	Mixer	1pc

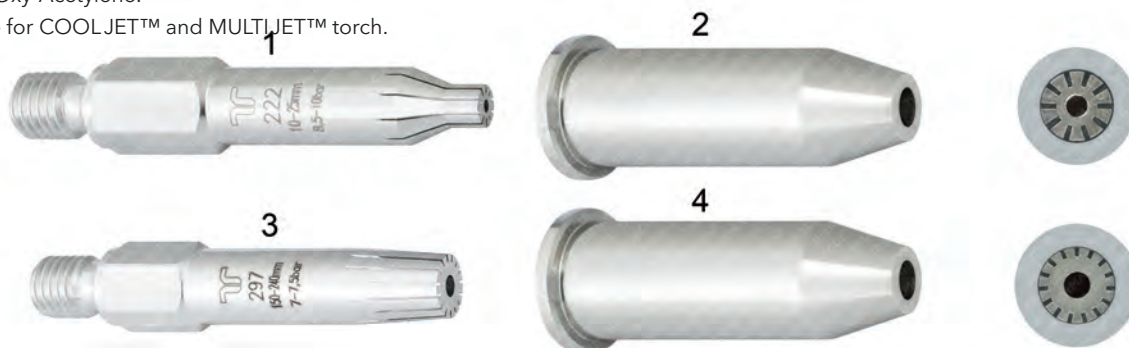
\* OEM SET CONTAINS ITEMS 1, 2 AND 3 TOGETHER AS A SET.

#### IAC and IAD

Description: two-piece standard cutting tip for cutting up to 300 mm.

Gases: Oxy-Acetylene.

Suitable for COOLJET™ and MULTIJET™ torch.



Item	Part No.	Ref. No.	Description, plate thickness	Packing
1.	A-1346	4.450.222	IAC Cutting Tip 10-25 mm	5pcs
	A-1347	4.450.223	IAC Cutting Tip 25-50 mm	5pcs
	A-1348	4.450.224	IAC Cutting Tip 50-75 mm	5pcs
	A-1349	4.450.225	IAC Cutting Tip 75-100 mm	5pcs
	A-1350	4.450.226	IAC Cutting Tip 100-150 mm	5pcs
2.	A-1341	4.450.526	IAC Heating Nozzle 3-150 mm	1pc
3.	A-1351	4.450.297	IAD Cutting Tip 150-240 mm	5pcs
4.	A-1342	4.450.591	IAD Heating Nozzle 150-300 mm	1pc

THERMACUT®, FHT-EX® AND EX-TRAFIRE® ARE THE REGISTERED TRADEMARKS OF THERMACUT K.S. AND MAY BE REGISTERED IN THE CZECH REPUBLIC AND/OR OTHER COUNTRIES. ALL OTHER TRADEMARKS ARE PROPERTIES OF THEIR RESPECTIVE OWNERS. THERMACUT IS NO WAY AFFILIATED WITH ESAB®. MOST THERMACUT PARTS ARE MADE FOR OR BY AN IBC COMPANY. PARTS INDICATED WITH OEM SUFFIX ARE ORIGINAL PARTS MANUFACTURED BY THE ABOVE-NAMED MANUFACTURER AND ARE BEING RESOLD BY THERMACUT. THERMACUT RESERVES THE RIGHT TO SUBSTITUTE OEM PARTS IN PLACE OF THERMACUT PARTS. VALID FROM OCTOBER 2017 • PREVIOUS VERSION IS NO LONGER VALID. THIS CATALOG IS VALID FOR USA CUSTOMERS ONLY. • © COPYRIGHT 2017 BY THERMACUT® CZECH REPUBLIC. ALL RIGHTS RESERVED.

## REPLACEMENT PARTS SUITABLE FOR

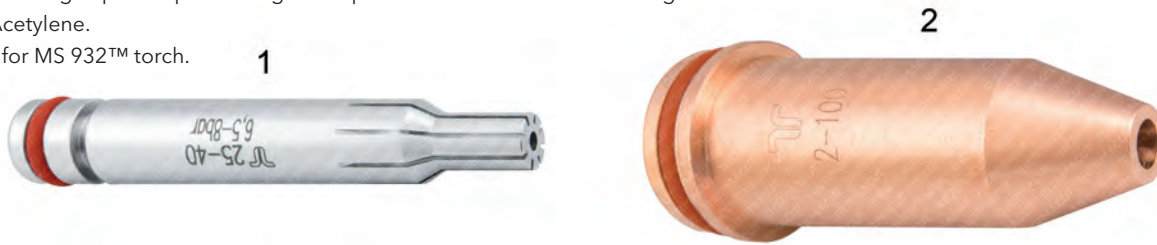
# MESSER® MODEL

### VADURA® 9215A

Description: high-speed "quick change" two piece nozzles for machine cutting.

Gases: Acetylene.

Suitable for MS 932™ torch.



Item	Part No.	Ref. No.	Description, plate thickness	Packing
1.	A-1369	716.16562	Cutting Nozzle 6-10 mm	5pcs
	A-1370	716.16563	Cutting Nozzle 10-25 mm	5pcs
	A-1362	716.16564	Cutting Nozzle 25-40 mm	5pcs
	A-1371	716.16565	Cutting Nozzle 40-60 mm	5pcs
	A-1372	716.16566	Cutting Nozzle 60-100 mm	5pcs
2.	A-1361	716.16550	Heating Nozzle 3-100 mm	1pc

THESE PARTS ARE NOT INTERCHANGEABLE WITH OEM. THERMACUT HEATING NOZZLE AND THERMACUT CUTTING TIP MUST BE USED TOGETHER AS THE SET. PARTS ARE DIFFERENT COMPARED TO OEM.

### VADURA® 1215-A

Description: high-speed two-piece nozzles for machine cutting.

Gases: Acetylene.

Suitable for MS 832™ torch.



Item	Part No.	Ref. No.	Description, plate thickness	Packing
1.	A-1230	716.15942	Nozzle 6-10 mm	5pcs
	A-1060	716.15943	Nozzle 10-25 mm	5pcs
	A-1061	716.15944	Nozzle 25-40 mm	5pcs
	A-1062	716.15945	Nozzle 40-60 mm	5pcs
	A-1063	716.15946	Nozzle 60-100 mm	5pcs
	A-1064	716.15947	Nozzle 100-150 mm	5pcs
2.	A-1065	716.15950	Heating Nozzle 3-150 mm	1pc

INTERCHANGEABLE WITH ASD™ CONSUMABLES FROM GCE®

THERMACUT®, FHT-EX® AND EX-TRAFIRE® ARE THE REGISTERED TRADEMARKS OF THERMACUT K.S. AND MAY BE REGISTERED IN THE CZECH REPUBLIC AND/OR OTHER COUNTRIES. ALL OTHER TRADEMARKS ARE PROPERTIES OF THEIR RESPECTIVE OWNERS. THERMACUT IS NO WAY AFFILIATED WITH MESSER®. MOST THERMACUT PARTS ARE MADE FOR OR BY AN IBG COMPANY. PARTS INDICATED WITH OEM SUFFIX ARE ORIGINAL PARTS MANUFACTURED BY THE ABOVE-NAMED MANUFACTURER AND ARE BEING RESOLD BY THERMACUT. THERMACUT RESERVES THE RIGHT TO SUBSTITUTE OEM PARTS IN PLACE OF THERMACUT PARTS. VALID FROM OCTOBER 2017 • PREVIOUS VERSION IS NO LONGER VALID. THIS CATALOG IS VALID FOR USA CUSTOMERS ONLY. • © COPYRIGHT 2017 BY THERMACUT® CZECH REPUBLIC. ALL RIGHTS RESERVED.



## REPLACEMENT PARTS SUITABLE FOR

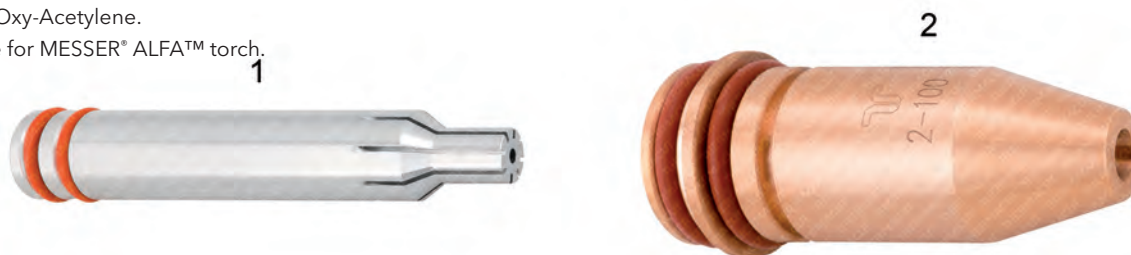
# MESSER® MODEL

### VADURA® 1217

Description: two-piece standard cutting tip for cutting up to 100 mm.

Gases: Oxy-Acetylene.

Suitable for MESSER® ALFA™ torch.



Item	Part No.	Ref. No.	Description, plate thickness	Packing
1.	A-1426	716.16543	Cutting Tip 10-25 mm	5pcs
	A-1427	716.16544	Cutting Tip 25-40 mm	5pcs
	A-1366	716.16545	Cutting Tip 40-60 mm	5pcs
	A-1428	716.16546	Cutting Tip 60-100 mm	5pcs
2.	A-1365	716.16320	Heating Nozzle 3-100 mm	1pc

THESE PARTS ARE NOT INTERCHANGEABLE WITH OEM. THERMACUT HEATING NOZZLE AND THERMACUT CUTTING TIP MUST BE USED TOGETHER AS THE SET. PARTS ARE DIFFERENT COMPARED TO OEM.

### GRICUT® 1230-PMYE

Description: two-piece standard cutting tip for cutting up to 100 mm.

Gases: Oxygen – propane, natural gas, mixed gases.

Suitable for MS 832™ torch.



Item	Part No.	Ref. No.	Description, plate thickness	Packing
1.	A-1282	716.15901	Cutting Tip 3-10 mm	5pcs
	A-1283	716.15902	Cutting Tip 7-15 mm	5pcs
	A-1235	716.15903	Cutting Tip 15-25 mm	5pcs
	A-1236	716.15904	Cutting Tip 25-40 mm	5pcs
	A-1237	716.15905	Cutting Tip 40-60 mm	5pcs
	A-1238	716.15906	Cutting Tip 60-100 mm	5pcs
2.	A-1281	716.15900	Heating Nozzle 3-100 mm	1pc

INTERCHANGEABLE WITH PSD™ AND PHD™ CONSUMABLES FROM GCE®

THERMACUT®, FHT-EX® AND EX-TRAFIRE® ARE THE REGISTERED TRADEMARKS OF THERMACUT K.S. AND MAY BE REGISTERED IN THE CZECH REPUBLIC AND/OR OTHER COUNTRIES. ALL OTHER TRADEMARKS ARE PROPERTIES OF THEIR RESPECTIVE OWNERS. THERMACUT IS NO WAY AFFILIATED WITH MESSER®. MOST THERMACUT PARTS ARE MADE FOR OR BY AN IBG COMPANY. PARTS INDICATED WITH OEM SUFFIX ARE ORIGINAL PARTS MANUFACTURED BY THE ABOVE-NAMED MANUFACTURER AND ARE BEING RESOLD BY THERMACUT. THERMACUT RESERVES THE RIGHT TO SUBSTITUTE OEM PARTS IN PLACE OF THERMACUT PARTS. VALID FROM OCTOBER 2017 • PREVIOUS VERSION IS NO LONGER VALID. THIS CATALOG IS VALID FOR USA CUSTOMERS ONLY. • © COPYRIGHT 2017 BY THERMACUT® CZECH REPUBLIC. ALL RIGHTS RESERVED.

## REPLACEMENT PARTS SUITABLE FOR

# MESSER® MODEL

### GRICUT® 1232

Description: two-piece standard cutting tip for cutting up to 100 mm.

Gases: Oxygen - propane, natural gas, mixed gases.

Suitable for MESSER® ALFA™ torch.



Item	Part No.	Ref. No.	Description, plate thickness	Packing
1.	A-1471	716.16321	Cutting Tip 3-10 mm	5pcs
	A-1472	716.16322	Cutting Tip 7-15 mm	5pcs
	A-1473	716.16323	Cutting Tip 15-25 mm	5pcs
	A-1474	716.16324	Cutting Tip 25-40 mm	5pcs
	A-1475	716.16325	Cutting Tip 40-60 mm	5pcs
	A-1476	716.16326	Cutting Tip 60-100 mm	5pcs
2.	A-1365	716.16320	Heating Nozzle 3-100 mm	1pc

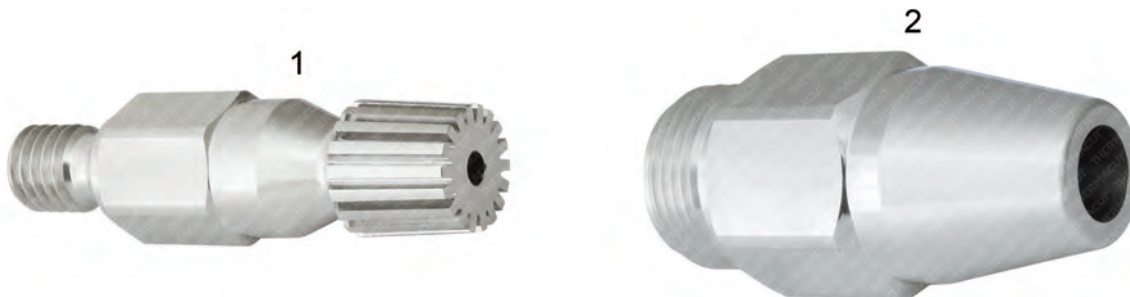
THESE PARTS ARE NOT INTERCHANGEABLE WITH OEM. THERMACUT HEATING NOZZLE AND THERMACUT CUTTING TIP MUST BE USED TOGETHER AS THE SET. PARTS ARE DIFFERENT COMPARED TO OEM.

### GRICUT® 1280

Description: two-piece standard cutting tip for cutting above 100 mm.

Gases: Oxygen - propane, natural gas, mixed gases.

Suitable for MS 832™ torch.



Item	Part No.	Ref. No.	Description, plate thickness	Packing
1.	A-1337	716.15927	Cutting Tip 100-200 mm	5pcs
	A-1338	716.15928	Cutting Tip 200-250 mm	5pcs
	A-1339	716.15929	Cutting Tip 250-300 mm	5pcs
2.	A-1340	716.15931	Heating Nozzle 100-300 mm	1pc

INTERCHANGEABLE WITH PSD™ CONSUMABLES FROM GCE®

THERMACUT®, FHT-EX® AND EX-TRAFIRE® ARE THE REGISTERED TRADEMARKS OF THERMACUT K.S. AND MAY BE REGISTERED IN THE CZECH REPUBLIC AND/OR OTHER COUNTRIES. ALL OTHER TRADEMARKS ARE PROPERTIES OF THEIR RESPECTIVE OWNERS. THERMACUT IS NO WAY AFFILIATED WITH MESSER®. MOST THERMACUT PARTS ARE MADE FOR OR BY AN IBG COMPANY. PARTS INDICATED WITH OEM SUFFIX ARE ORIGINAL PARTS MANUFACTURED BY THE ABOVE-NAMED MANUFACTURER AND ARE BEING RESOLD BY THERMACUT. THERMACUT RESERVES THE RIGHT TO SUBSTITUTE OEM PARTS IN PLACE OF THERMACUT PARTS. VALID FROM OCTOBER 2017 • PREVIOUS VERSION IS NO LONGER VALID. THIS CATALOG IS VALID FOR USA CUSTOMERS ONLY. • © COPYRIGHT 2017 BY THERMACUT® CZECH REPUBLIC. ALL RIGHTS RESERVED.

## REPLACEMENT PARTS SUITABLE FOR

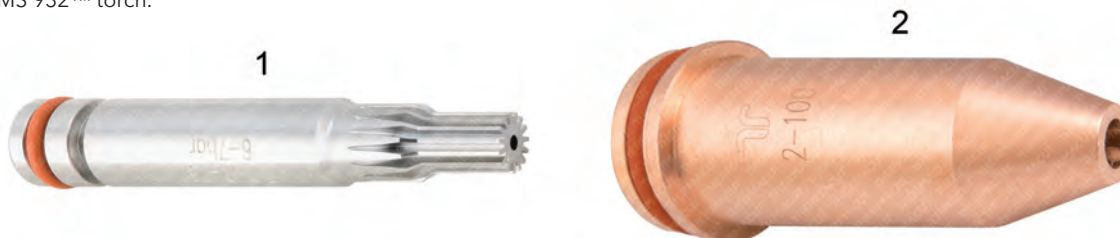
# MESSER® MODEL

### GRICUT® 9230

Description: two-piece standard cutting tip for cutting up to 100 mm.

Gases: Oxygen - propane, natural gas, mixed gases.

Suitable for MS 932™ torch.



Item	Part No.	Ref. No.	Description, plate thickness	Packing
1.	A-1456	716.16551	Cutting Tip 3-10 mm	5pcs
	A-1457	716.16552	Cutting Tip 7-15 mm	5pcs
	A-1458	716.16553	Cutting Tip 15-25 mm	5pcs
	A-1459	716.16554	Cutting Tip 25-40 mm	5pcs
	A-1460	716.16555	Cutting Tip 40-60 mm	5pcs
	A-1461	716.16556	Cutting Tip 60-100 mm	5pcs
2.	A-1361	716.16550	Heating Nozzle 3-100 mm	1pc

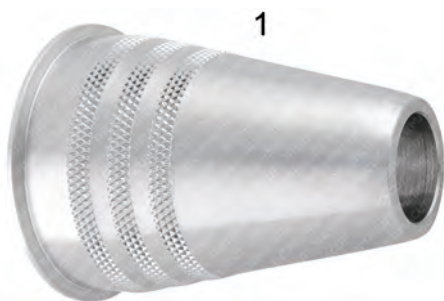
THESE PARTS ARE NOT INTERCHANGEABLE WITH OEM. THERMACUT HEATING NOZZLE AND THERMACUT CUTTING TIP MUST BE USED TOGETHER AS THE SET. PARTS ARE DIFFERENT COMPARED TO OEM.

### TORCH CAP

Description: Use for fixing of MESSER® ALFA™ consumables.

Gases: all.

Suitable for MESSER® ALFA™ torch.



Item	Part No.	Ref. No.	Description, plate thickness	Packing
1.	A-1434	716.11301	Torch Cap	1pc

FOR USE ONLY WITH TORCH WITHOUT INTEGRATED HIGH CONTROL.

THERMACUT®, FHT-EX® AND EX-TRAFIRE® ARE THE REGISTERED TRADEMARKS OF THERMACUT K.S. AND MAY BE REGISTERED IN THE CZECH REPUBLIC AND/OR OTHER COUNTRIES. ALL OTHER TRADEMARKS ARE PROPERTIES OF THEIR RESPECTIVE OWNERS. THERMACUT IS NO WAY AFFILIATED WITH MESSER®. MOST THERMACUT PARTS ARE MADE FOR OR BY AN IBG COMPANY. PARTS INDICATED WITH OEM SUFFIX ARE ORIGINAL PARTS MANUFACTURED BY THE ABOVE-NAMED MANUFACTURER AND ARE BEING RESOLD BY THERMACUT. THERMACUT RESERVES THE RIGHT TO SUBSTITUTE OEM PARTS IN PLACE OF THERMACUT PARTS. VALID FROM OCTOBER 2017 • PREVIOUS VERSION IS NO LONGER VALID. THIS CATALOG IS VALID FOR USA CUSTOMERS ONLY. • © COPYRIGHT 2017 BY THERMACUT® CZECH REPUBLIC. ALL RIGHTS RESERVED.





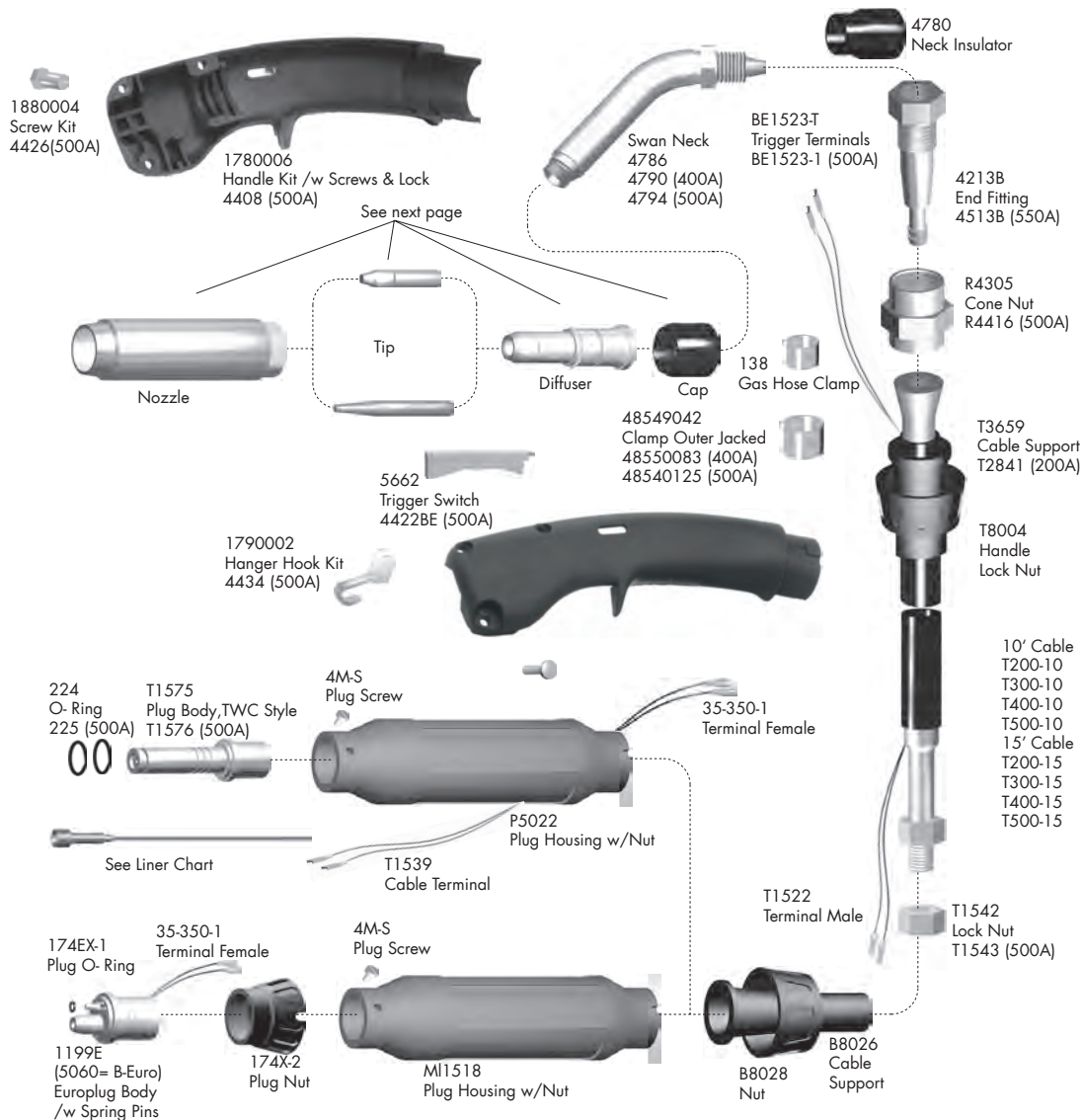
# MIG/TIG WELDING



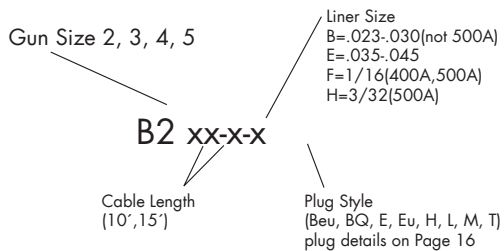
# REPLACEMENT PARTS SUITABLE FOR

## BERNARD®

### 200A, 300A, 400A, 500A GUN



### GUN w/ CABLE



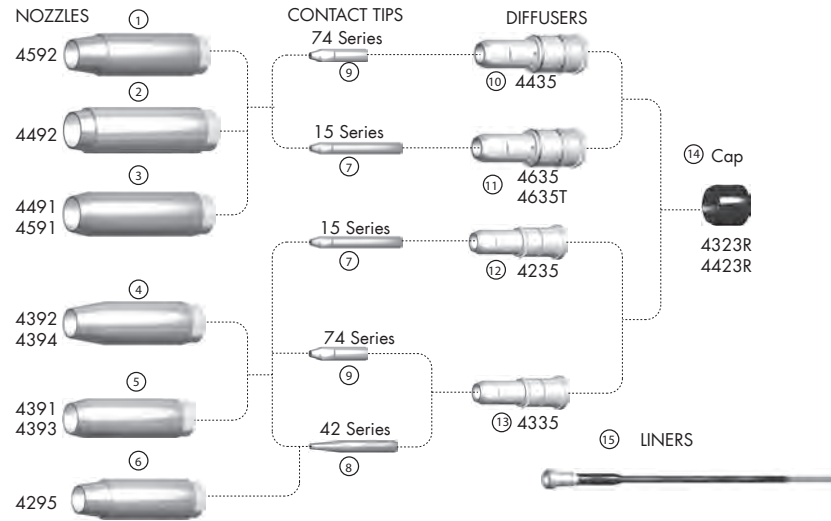
Model	Description
B515ET	500A Gun with 15' Cable, TWC Plug
B510ET	500A Gun with 10' Cable, TWC Plug
B415ET	400A Gun with 15' Cable, TWC Plug
B410ET	400A Gun with 10' Cable, TWC Plug
B315ET	300A Gun with 15' Cable, TWC Plug
B310ET	300A Gun with 10' Cable, TWC Plug
B215ET	200A Gun with 15' Cable, TWC Plug
B210ET	200A Gun with 10' Cable, TWC Plug

THERMACUT®, FHT-EX® AND EX-TRAFIRE® ARE THE REGISTERED TRADEMARKS OF THERMACUT K.S. AND MAY BE REGISTERED IN THE CZECH REPUBLIC AND/OR OTHER COUNTRIES. ALL OTHER TRADEMARKS ARE PROPERTIES OF THEIR RESPECTIVE OWNERS. THERMACUT IS NO WAY AFFILIATED WITH BERNARD®. MOST THERMACUT PARTS ARE MADE FOR OR BY AN I8G COMPANY. PARTS INDICATED WITH OEM SUFFIX ARE ORIGINAL PARTS MANUFACTURED BY THE ABOVE-NAMED MANUFACTURER AND ARE BEING RESOLD BY THERMACUT. THERMACUT RESERVES THE RIGHT TO SUBSTITUTE OEM PARTS IN PLACE OF THERMACUT PARTS. VALID FROM OCTOBER 2017 • PREVIOUS VERSION IS NO LONGER VALID. THIS CATALOG IS VALID FOR USA CUSTOMERS ONLY. © COPYRIGHT 2017 BY THERMACUT® CZECH REPUBLIC. ALL RIGHTS RESERVED.

# REPLACEMENT PARTS SUITABLE FOR

## BERNARD®

### 200A, 300A, 400A, 500A GUN



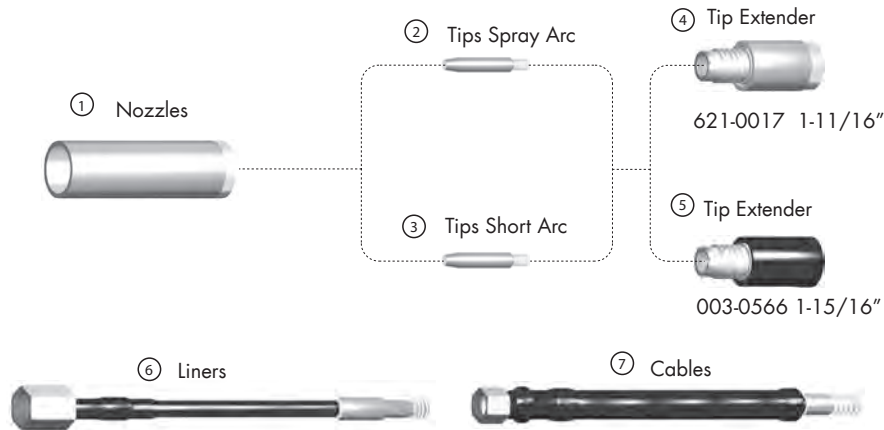
Item	Part No.	Description	Std. Pkg	Item	Part No.	Description	Std. Pkg.
1.	4592	Nozzle Copper, 1/2"	5		43115	Liner 15', .035-.045(200A)	5
2.	4492	Nozzle Tapered Brass, 5/8"	5		43215	Liner 15' 1/16" (200A)	1
3.	4491	Nozzle Brass, 3/4"	5		44115	Liner 15', .035-.045	1
	4591	Nozzle Copper, 3/4"	5		44125	Liner 25', .035-.045	1
4.	4392	Nozzle Tapered Brass, 1/2"	5		44215	Liner 15', 1/16"	1
	4394	Nozzle Tapered Copper, 1/2"	5		45415	Liner S 15', 3/32" (500A)	1
5.	4391	Nozzle Brass, 5/8"	5	NS	44225	Liner .045 - .062, 25'	1
	4393	Nozzle Copper, 5/8"	5	NS	4422BE	Trigger Switch	1
6.	4295	Nozzle Tapered Brass, 3/8"	5	NS	4780	Neck Insulator	1
7.	1588	Contact Tip, .030	25	NS	5662	Trigger Switch	1
	1589	Contact Tip, .035	25	NS	4790	Swan Neck	1
	1590	Contact Tip, .045	25	NS	4786	Swan Neck	1
	1598	Contact Tip, .052	25	NS	4794	Swan Neck	1
	1591	Contact Tip, 1/16"	25	NS	T030 OEM	Contact Tip .030	25
	1592	Contact Tip, 5/64"	25	NS	T035 OEM	Contact Tip .035	25
	1593	Contact Tip, 3/32"	25	NS	T045 OEM	Contact Tip .045	25
8.	4284	Contact Tip, .023	25	NS	T062 OEM	Contact Tip .062	25
	4285	Contact Tip, .030	25	NS	TT035 OEM	Contact Tip, Tapered, .035	25
	4281	Contact Tip, .035	25	NS	TT045 OEM	Contact Tip, Tapered, .045	25
	4282	Contact Tip, .045	25	NS	DS-1 OEM	Gas Diffuser	5
9.	7488	Contact Tip, .030	25	NS	D-1 OEM	Gas Diffuser	5
	7489	Contact Tip, .035	25	NS	10012 OEM	Insulator	5
	7490	Contact Tip, .045	25	NS	NS-1218C OEM	Nozzle 1/2, 1/8 Rec., Copper	5
	7491	Contact Tip, 1/16"	25	NS	N-3414B OEM	Nozzle 3/4, 1/4 Rec., Brass	5
	7492	Contact Tip, 5/64"	25	NS	N-3418B OEM	Nozzle 3/4, 1/8 Rec., Brass	5
	7493	Contact Tip, 3/32"	25	NS	N-3418C OEM	Nozzle 3/4, 1/8 Rec., Copper	5
	7497	Contact Tip, .023	25	NS	N-3400C OEM	Nozzle 3/4, Flush Copper	5
	7498	Contact Tip, .052	25	NS	NST-3818B OEM	Nozzle 3/8, 1/8 Rec., Brass	5
10.	4435	Gas Diffuser +	5	NS	N-5818B OEM	Nozzle 5/8, 1/8 Rec., Brass	5
	4635	Gas Diffuser	5	NS	NS-5818B OEM	Nozzle 5/8, 1/8 Rec., Brass	5
	4235	Gas Diffuser	5	NS	N-5818C OEM	Nozzle 5/8, 1/8 Rec., Copper	5
	4335	Gas Diffuser	5	NS	NS-5818C OEM	Nozzle 5/8, 1/8 Rec., Copper	5
14.	4323R	Cap, 200,350	5	NS	N-5800C OEM	Nozzle 5/8, Flush Copper	5
	4423R	Cap, 500	5	NS	NS-5800C OEM	Nozzle 5/8, Flush Copper	5
15.	43015	Liner 15', .023-.030(200A)	5				

THERMACUT®, FHT-EX® AND EX-TRAFIRE® ARE THE REGISTERED TRADEMARKS OF THERMACUT K.S. AND MAY BE REGISTERED IN THE CZECH REPUBLIC AND/OR OTHER COUNTRIES. ALL OTHER TRADEMARKS ARE PROPERTIES OF THEIR RESPECTIVE OWNERS. THERMACUT IS NO WAY AFFILIATED WITH BERNARD®. MOST THERMACUT PARTS ARE MADE FOR OR BY AN IBG COMPANY. PARTS INDICATED WITH OEM SUFFIX ARE ORIGINAL PARTS MANUFACTURED BY THE ABOVE-NAMED MANUFACTURER AND ARE BEING RESOLD BY THERMACUT. THERMACUT RESERVES THE RIGHT TO SUBSTITUTE OEM PARTS IN PLACE OF THERMACUT PARTS. VALID FROM OCTOBER 2017 • PREVIOUS VERSION IS NO LONGER VALID. THIS CATALOG IS VALID FOR USA CUSTOMERS ONLY. • © COPYRIGHT 2017 BY THERMACUT® CZECH REPUBLIC. ALL RIGHTS RESERVED.

## REPLACEMENT PARTS SUITABLE FOR

# COBRAMATIC®

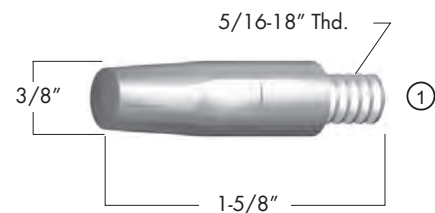
### COBRA AND PRINCE GUNS



Item	Part No	Description	Std. Pkg	Item	Part No	Description	Std. Pkg.
1.	001-0137	Nozzle #6, 3/8	5		621-0002	Contact Tip, .035(Tip ID .044)	25
	001-0138	Nozzle #8, 1/2	5		621-0286	Contact Tip, .052(Tip ID .060)	25
	001-0139	Nozzle #10, 5/8	5	4.	621-0017	Tip Extender 1 - 11/16	5
2.	621-0001	Contact Tip, .035(Tip ID .044)	25	5.	003-0566	Tip Extender 1 - 15/16	5
	621-0003	Contact Tip, .045(Tip ID .060)	25	6.	001-0007	Liner 15', .030 -1/16	1
	621-0075	Contact Tip, 1/16(Tip ID .073)	25		001-0008	Liner 25', .030 -1/16	1
	621-0076	Contact Tip, .030(Tip ID .040)	25		615-0055	Liner PTFE 5 3/4, Short	10
	621-0153	Contact Tip, 1/16(Tip ID .085)	25		615-0058	Liner PTFE 6 3/4, Medium	10
3.	621-0325	Contact Tip, .030(Tip ID .036)	25	7.	001-0177	Power/Water Cable 30'	1
	621-0327	Contact Tip, .045(Tip ID .053)	25				

### KING COBRA GUNS

Item	Part No	Description	Std. Pkg
1.	621-0157	Contact Tip, .035	25
	621-0161	Contact Tip, .045-3/64	25
	621-0162	Contact Tip, 3/94(Tip ID .060)	25
	621-0163	Contact Tip, 1/16(Tip ID .075)	25
NS	615-0007	Liner, 15'	1
	615-0008	Liner, 25'	1
	615-0055	Liner, PTFE 5 3/4 Short	10
	615-0058	Liner, PTFE 6 3/4 Medium	10



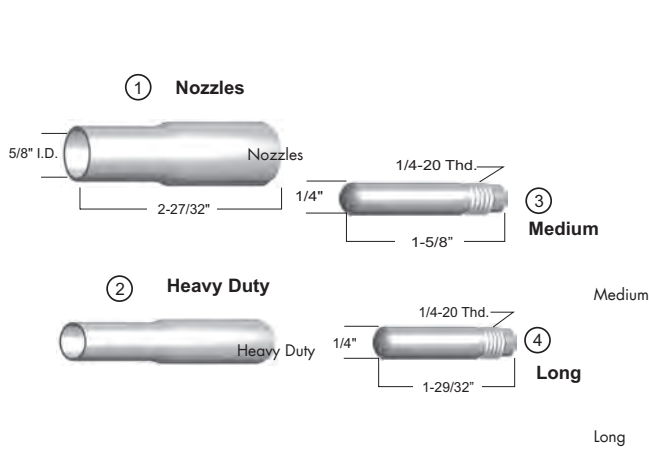
THERMACUT®, FHT-EX® AND EX-TRAFIRE® ARE THE REGISTERED TRADEMARKS OF THERMACUT K.S. AND MAY BE REGISTERED IN THE CZECH REPUBLIC AND/OR OTHER COUNTRIES. ALL OTHER TRADEMARKS ARE PROPERTIES OF THEIR RESPECTIVE OWNERS. THERMACUT IS NO WAY AFFILIATED WITH COBRAMATIC®. MOST THERMACUT PARTS ARE MADE FOR OR BY AN IBG COMPANY. PARTS INDICATED WITH OEM SUFFIX ARE ORIGINAL PARTS MANUFACTURED BY THE ABOVE-NAMED MANUFACTURER AND ARE BEING RESOLD BY THERMACUT. THERMACUT RESERVES THE RIGHT TO SUBSTITUTE OEM PARTS IN PLACE OF THERMACUT PARTS. VALID FROM OCTOBER 2017 • PREVIOUS VERSION IS NO LONGER VALID. THIS CATALOG IS VALID FOR USA CUSTOMERS ONLY. • © COPYRIGHT 2017 BY THERMACUT® CZECH REPUBLIC. ALL RIGHTS RESERVED.



# REPLACEMENT PARTS SUITABLE FOR



## GAS COOLED GUNS MT-150/200/400, ST23A & 41A



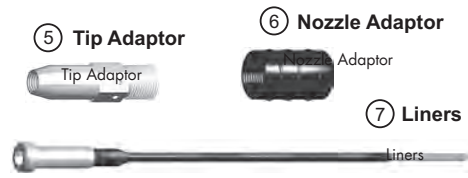
Item	Part No	Description	Std. Pkg
1.	998893	Nozzle, 1/2", #8	5
	998894	Nozzle, 5/8", #10	5
	998895	Nozzle, 3/8", #6	5
2.	999471	Nozzle, 1/2" HD, #8	5
	999472	Nozzle, 5/8" HD, #10	5

## WATER COOLED GUNS ST16/21 & 41

Item	Part No	Description	Std. Pkg
	NS 632795	Contact Tip, .035	25
	NS 632796	Contact Tip, .045, 1-3/4" Lg	25
	NS 598721	Nozzle #10 ST16/21	5
	NS 632797	Contact Tip 1/16"	25

## MISCELLANEOUS

Item	Part No	Description	Std. Pkg
	NS 23602115	Contact Tip .035-.047	25
	NS 999578	Contact Tip .045-3/64	25
	NS 379314	Contact Tip .035	25
	NS 379315	Contact Tip .045	25
	NS 379300	Nozzle 9/16	5
	NS 379718	Nozzle 1/2	5
	NS 379708	Nozzle Adapter	5



Item	Part No	Description	Std. Pkg
3.	996995	Contact Tip .035 Hard	25
	996997	Contact Tip 1/16" Hard	25
	996999	Contact Tip 3/64" Hard	25
4.	996994	Contact Tip .030 Hard	25
	996996	Contact Tip .035 Hard	25
	996998	Contact Tip 3/64" Hard	25
5.	17983	Tip Adaptor	5
6.	999452	Nozzle Adaptor	5
7.	2075238	Liner S 15', .035-.045	1

## GUNMASTER 250™

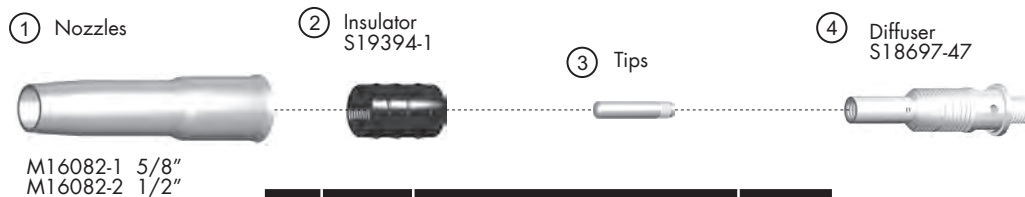
Item	Part No	Description	Std. Pkg
	NS 0558001599*	Nozzle 5/8 HD 1/8" Recess	2
	NS 0558001608 OEM	Tip Adaptor	2
	NS 0558001888	Nozzle Retainer	5
	NS 37032 OEM	Liner .035-.045, 15'	1
	NS 952755	Shock Washer	5
	NS 598721	Nozzle #10 St16/21	5

THERMACUT®, FHT-EX® AND EX-TRAFIRE® ARE THE REGISTERED TRADEMARKS OF THERMACUT K.S. AND MAY BE REGISTERED IN THE CZECH REPUBLIC AND/OR OTHER COUNTRIES. ALL OTHER TRADEMARKS ARE PROPERTIES OF THEIR RESPECTIVE OWNERS. THERMACUT IS NO WAY AFFILIATED WITH ESAB®. MOST THERMACUT PARTS ARE MADE FOR OR BY AN IBG COMPANY. PARTS INDICATED WITH OEM SUFFIX ARE ORIGINAL PARTS MANUFACTURED BY THE ABOVE-NAMED MANUFACTURER AND ARE BEING RESOLD BY THERMACUT. THERMACUT RESERVES THE RIGHT TO SUBSTITUTE OEM PARTS IN PLACE OF THERMACUT PARTS. VALID FROM OCTOBER 2017 • PREVIOUS VERSION IS NO LONGER VALID. THIS CATALOG IS VALID FOR USA CUSTOMERS ONLY. • © COPYRIGHT 2017 BY THERMACUT® CZECH REPUBLIC. ALL RIGHTS RESERVED.

# REPLACEMENT PARTS SUITABLE FOR

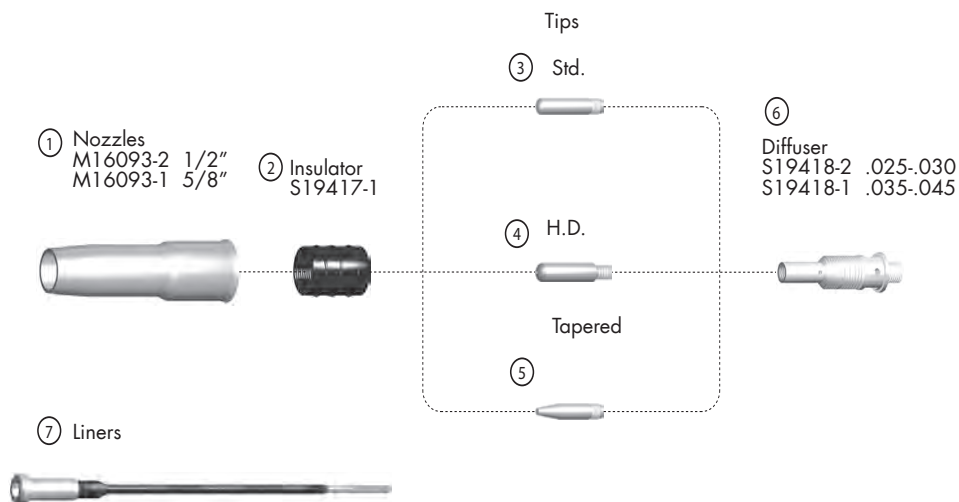
## LINCOLN®

### MAGNUM® SPOOL GUN



Item	Part No	Description	Std. Pkg
1.	M16082-1	Nozzle Adjustable, Slip-On 5/8"	5
	M16082-2	Nozzle Adjustable, Slip-On 1/2"	5
2.	S19394-1	Nozzle Insulator	5
3.	S18697-44	Contact Tip, Notched, .030	25
	S18697-45	Contact Tip, Notched, .035	25
	S18697-46	Contact Tip, Notched, 3/64"	25
	S18697-52	Contact Tip, .023	25
	S18697-47	Gas Diffuser	5

### MAGNUM® 200 GUN



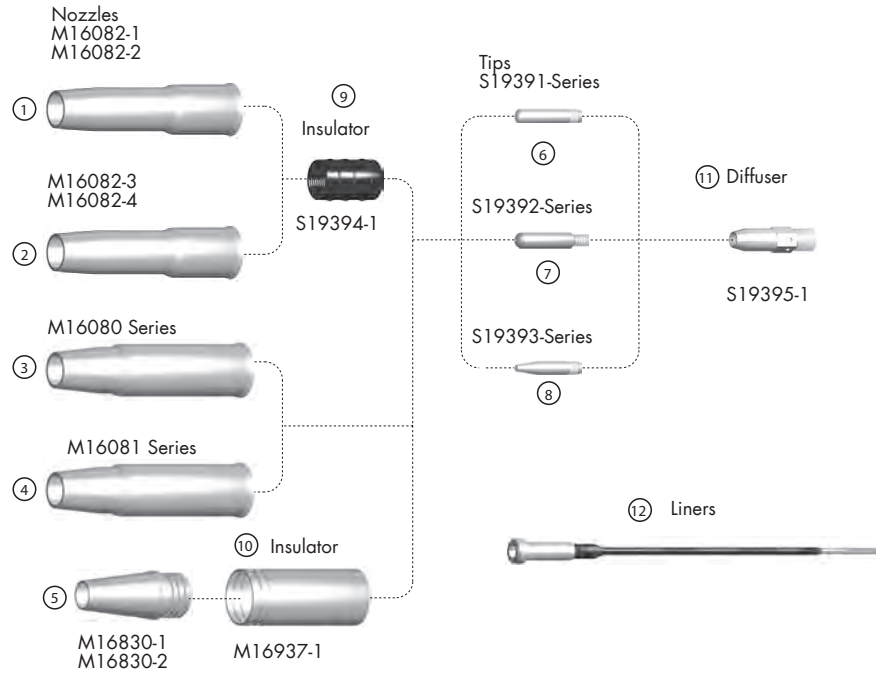
Item	Part No	Description	Std. Pkg	Item	Part No	Description	Std. Pkg.
1.	M16093-1	Nozzle, 5/8"	5	3.	S19393-2	Contact Tip .045, Tapered	25
	M16093-2	Nozzle, 1/2"	5		S19393-5	Contact Tip .025, Tapered	25
2.	S19417-1	Insulator 200	5	4.	S19393-6	Contact Tip .030, Tapered	25
3.	S19391-6	Contact Tip .025	25		S19393-7	Contact Tip .040, Tapered	25
	S19391-8	Contact Tip .040	25	6.	S19418-1	Diffuser .025-.030	5
4.	S19392-1	Contact Tip .035 HD	25		S19418-2	Diffuser .035-.045	5
	S19392-2	Contact Tip .045 HD	25	7.	M16087-2	Liner 15', .025-.030	1
	S19392-6	Contact Tip .040 HD	25		M16087-1	Liner 15', .035-.045	1
5.	S19393-1	Contact Tip .035, Tapered	25				

THERMACUT®, FHT-EX® AND EX-TRAFIRE® ARE THE REGISTERED TRADEMARKS OF THERMACUT K.S. AND MAY BE REGISTERED IN THE CZECH REPUBLIC AND/OR OTHER COUNTRIES. ALL OTHER TRADEMARKS ARE PROPERTIES OF THEIR RESPECTIVE OWNERS. THERMACUT IS NO WAY AFFILIATED WITH LINCOLN®. MOST THERMACUT PARTS ARE MADE FOR OR BY AN IBG COMPANY. PARTS INDICATED WITH OEM SUFFIX ARE ORIGINAL PARTS MANUFACTURED BY THE ABOVE-NAMED MANUFACTURER AND ARE BEING RESOLD BY THERMACUT. THERMACUT RESERVES THE RIGHT TO SUBSTITUTE OEM PARTS IN PLACE OF THERMACUT PARTS. VALID FROM OCTOBER 2017 • PREVIOUS VERSION IS NO LONGER VALID. THIS CATALOG IS VALID FOR USA CUSTOMERS ONLY. • © COPYRIGHT 2017 BY THERMACUT® CZECH REPUBLIC. ALL RIGHTS RESERVED.

# REPLACEMENT PARTS SUITABLE FOR

## LINCOLN®

### MAGNUM® 300 & 400 GUNS

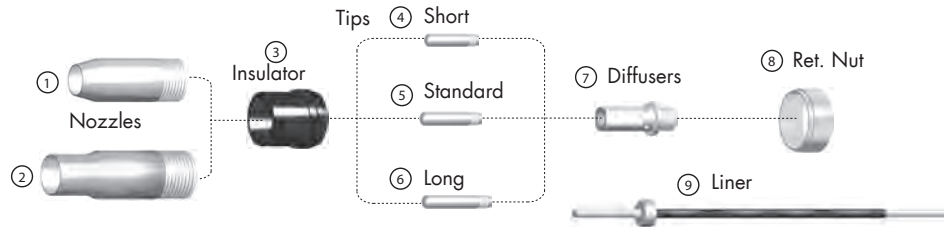


Item	Part No.	Description	Std. Pkg.	Item	Part No.	Description	Std. Pkg.
1.	M16082-1	Nozzle, Adj. Slip-On 5/8"	5	7.	S19392-1	Contact Tip .035 HD	25
	M16082-2	Nozzle, Adj. Slip-On 5/8"	5		S19392-2	Contact Tip .045 HD	25
2.	M16082-3	Nozzle, Adj. Slip-On 5/8" Recess	5		S19392-3	Contact Tip .052 HD	25
	M16082-4	Nozzle, Adj. Slip-On 5/8" Recess	5		S19392-4	Contact Tip 1/16" HD	25
3.	M16080-1	Nozzle 3/8" Insul., 1/8" Recess	5		S19392-5	Contact Tip 5/64" HD	25
	M16080-2	Nozzle 1/2" Insul., 1/8" Recess	5		S19392-6	Contact Tip .040 HD	25
	M16080-3	Nozzle 5/8" Insul., 1/8" Recess	5	8.	S19393-1	Contact Tip .035 Tapered	25
	M16080-4	Nozzle 3/4" Insul., 1/8" Recess	5		S19393-2	Contact Tip .045 Tapered	25
4.	M16081-1	Nozzle, 3/8" Flush	5		S19393-3	Contact Tip .052 Tapered	25
	M16081-2	Nozzle, 1/2" Flush	5		S19393-4	Contact Tip 1/16 Tapered	25
	M16081-3	Nozzle, 5/8" Flush	5		S19393-5	Contact Tip .025 Tapered	25
	M16081-4	Nozzle, 3/4" Flush	5		S19393-6	Contact Tip .030 Tapered	25
5.	M16830-1	Nozzle 5/8" Course, 1/8" Recess	5		S19393-7	Contact Tip .040 Tapered	25
	M16830-2	Nozzle 3/4" Course, 1/8" Recess	5	9.	S19394-1	Nozzle Insulator	5
	M16830-3	Nozzle 5/8" Course, #2,3,4	5	10.	M16937-1	Insulator	5
	S19391-1	Contact Tip .035	25	11.	S19395-1	Diffuser, 330/400	5
	S19391-2	Contact Tip .045	25	12.	M16083-1	Liner Assy. 15' .035 - .045	10
6.	S19391-3	Contact Tip .052	25		M16083-2	Liner Assy. 15' 1/16"	10
	S19391-4	Contact Tip 1/16"	25		M16083-3	Liner Assy. 15' 5/64"	10
	S19391-5	Contact Tip 5/64"	25		M16083-7	Liner Assy. 25' .035 - .045	10
	S19391-6	Contact Tip .025	25		M16083-8	Liner Assy. 25' 1/16"	10
	S19391-7	Contact Tip .030	25		M16083-9	Liner Assy. 25' 5/64"	10
	S19391-8	Contact Tip .040	25				

THERMACUT®, FHT-EX® AND EX-TAFIRE® ARE THE REGISTERED TRADEMARKS OF THERMACUT K.S. AND MAY BE REGISTERED IN THE CZECH REPUBLIC AND/OR OTHER COUNTRIES. ALL OTHER TRADEMARKS ARE PROPERTIES OF THEIR RESPECTIVE OWNERS. THERMACUT IS NO WAY AFFILIATED WITH LINCOLN®. MOST THERMACUT PARTS ARE MADE FOR OR BY AN IBG COMPANY. PARTS INDICATED WITH OEM SUFFIX ARE ORIGINAL PARTS MANUFACTURED BY THE ABOVE-NAMED MANUFACTURER AND ARE BEING RESOLD BY THERMACUT. THERMACUT RESERVES THE RIGHT TO SUBSTITUTE OEM PARTS IN PLACE OF THERMACUT PARTS. VALID FROM OCTOBER 2017 • PREVIOUS VERSION IS NO LONGER VALID. THIS CATALOG IS VALID FOR USA CUSTOMERS ONLY. • © COPYRIGHT 2017 BY THERMACUT® CZECH REPUBLIC. ALL RIGHTS RESERVED.

# REPLACEMENT PARTS SUITABLE FOR

## MILLER®



### AIR COOLED GA-17C 170 AMP GUN

Item	Part No	Description	Std. Pkg	Item	Part No	Description	Std. Pkg.
1.	128-535	Nozzle 9/16	5		000-068	Contact Tip .035	25
NS	118267	Contact Tube Adaptor	5		087-299	Contact Tip .025	25
4.	000-067	Contact Tip .030	25				

### AIR COOLED GA-17C 170 AMP GUN

Item	Part No	Description	Std. Pkg	Item	Part No	Description	Std. Pkg.
3.	082-241 OEM	Insulator	5	6.	054-201	Contact Tip .045 Long	25
	000-067	Contact Tip .030	25	7.	146-425	Diffuser .030 -.045	5
	000-068	Contact Tip .035	25		146-426	Diffuser .023 -.025	5
	000-069	Contact Tip .045	25	8.	082-063 OEM	Nut, Retaining	2
	087-299	Contact Tip .025	25	9.	083-891	Liner S 15', .045	1

### AIR COOLED GA-21/CM GUN

Item	Part No	Description	Std. Pkg	Item	Part No	Description	Std. Pkg.
2.	149-146	Nozzle 5/8"	5		146-426	Diffuser .023 -.025	5
3.	082-241 OEM	Insulator	4	8.	082-063 OEM	Nut, Retaining	2
5.	054-201	Contact Tip .045 Long	5	NS	000-069	Contact Tip .045	25
NS	000-068	Contact Tip .030	25	NS	087-299	Contact Tip .025	25
7.	146-425	Diffuser .030 -.045	5				

### MISCELLANEOUS

Item	Part No	Description	Std. Pkg	Item	Part No	Description	Std. Pkg.
NS	198855 OEM	Nozzle, Copper 5/8" (2pcs/pak)	2	NS	206188 OEM	Contact Tip, Fastip, .040-.045	25
NS	206186 OEM	Contact Tip, Fastip	25	NS	206189 OEM	Contact Tip, Fastip	25
NS	206187 OEM	Contact Tip, Fastip .035-.040	25	NS	206196 OEM	Diffuser, Fastip, Flush	1

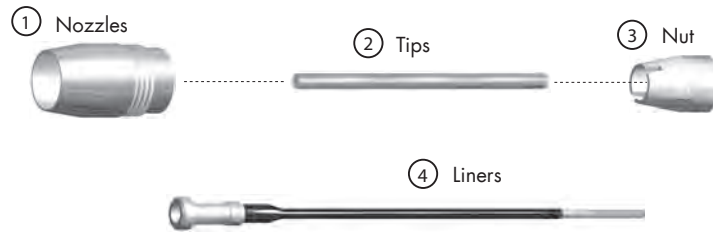
THERMACUT®, FHT-EX® AND EX-TRAFIRE® ARE THE REGISTERED TRADEMARKS OF THERMACUT K.S. AND MAY BE REGISTERED IN THE CZECH REPUBLIC AND/OR OTHER COUNTRIES. ALL OTHER TRADEMARKS ARE PROPERTIES OF THEIR RESPECTIVE OWNERS. THERMACUT IS NO WAY AFFILIATED WITH MILLER®. MOST THERMACUT PARTS ARE MADE FOR OR BY AN IBG COMPANY. PARTS INDICATED WITH OEM SUFFIX ARE ORIGINAL PARTS MANUFACTURED BY THE ABOVE-NAMED MANUFACTURER AND ARE BEING RESOLD BY THERMACUT. THERMACUT RESERVES THE RIGHT TO SUBSTITUTE OEM PARTS IN PLACE OF THERMACUT PARTS. VALID FROM OCTOBER 2017 • PREVIOUS VERSION IS NO LONGER VALID. THIS CATALOG IS VALID FOR USA CUSTOMERS ONLY. • © COPYRIGHT 2017 BY THERMACUT® CZECH REPUBLIC. ALL RIGHTS RESERVED.



## REPLACEMENT PARTS SUITABLE FOR

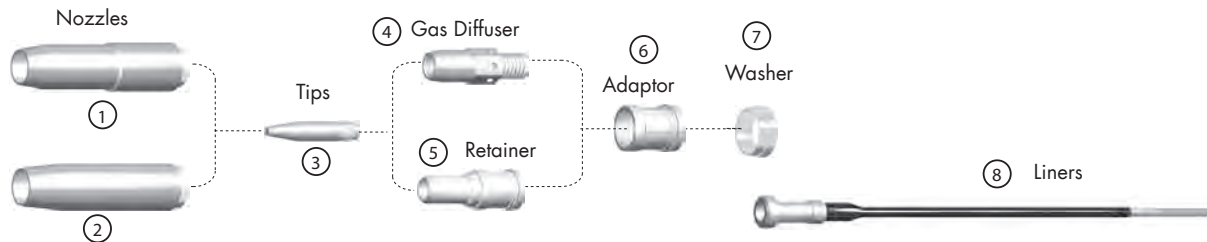
# MILLER®

### SPOOLMATIC® 1, 2, 3 GUNS



Item	Part No.	Description	Std. Pkg.	Item	Part No.	Description	Std. Pkg.
1.	050-115	Nozzle 1/2"	5	135-426	Contact Tip .062	25	
	050-622	Nozzle 5/8"	5	147-314	Contact Tip .035	25	
2.	135-425	Contact Tip .062	25	135-428	Contact Tip .030	25	
	135-424	Contact Tip .047	25	135-429	Contact Tip .047	25	
	050-637	Contact Tip 1/16" 4 Long Bent	25	135-430	Contact Tip .035	25	
	050-638	Contact Tip .030	25	3.	058-676	Brass Nut	5
	094-259	Contact Tip .035	25	4.	136-682	Liner, PTFE .023-.035 7" Lg	10
	094-260	Contact Tip 3/64"	25		136-683	Liner, PTFE .045 7" Lg	10
	050-626	Contact Tip 3/64"	25				

### M15, M25/25M, M40/40AL GUNS



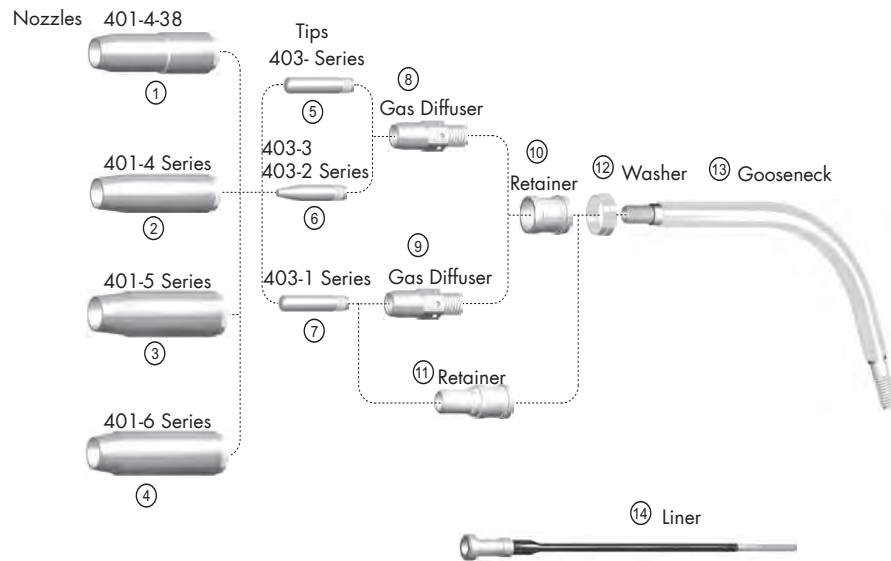
Item	Part No.	Description	Std. Pkg.	Item	Part No.	Description	Std. Pkg.
1.	169-715	Nozzle 1/2" Flush	5	172-024	Contact Tip 1/16" SCR	25	
2.	169-724	Nozzle 1/2", 1/8 Recess	5	4.	169-728	Gas Diffuser	5
	169-725	Nozzle 5/8", 1/8 Recess	5	5.	169-716	Retainer	5
	169-726	Nozzle 5/8", Flush	5	6.	169-729	Nozzle Adaptor	5
	169-727	Nozzle 5/8", 1/8" Stick-Out	5	7.	169-730	Shock Washer	1
3.	000-067	Contact Tip .030	25	8.	194010	Liner 15', .023-035	1
	000-068	Contact Tip .035	25		194011	Liner 15', .030-035	1
	000-069	Contact Tip .045	25		194012	Liner 15', .035-045	1
	087-299	Contact Tip .025	25		194013	Liner 15', 1/16-5/64"	1

THERMACUT®, FHT-EX® AND EX-TRAFIRE® ARE THE REGISTERED TRADEMARKS OF THERMACUT K.S. AND MAY BE REGISTERED IN THE CZECH REPUBLIC AND/OR OTHER COUNTRIES. ALL OTHER TRADEMARKS ARE PROPERTIES OF THEIR RESPECTIVE OWNERS. THERMACUT IS NO WAY AFFILIATED WITH MILLER®. MOST THERMACUT PARTS ARE MADE FOR OR BY AN IBG COMPANY. PARTS INDICATED WITH OEM SUFFIX ARE ORIGINAL PARTS MANUFACTURED BY THE ABOVE-NAMED MANUFACTURER AND ARE BEING RESOLD BY THERMACUT. THERMACUT RESERVES THE RIGHT TO SUBSTITUTE OEM PARTS IN PLACE OF THERMACUT PARTS. VALID FROM OCTOBER 2017 • PREVIOUS VERSION IS NO LONGER VALID. THIS CATALOG IS VALID FOR USA CUSTOMERS ONLY. • © COPYRIGHT 2017 BY THERMACUT® CZECH REPUBLIC. ALL RIGHTS RESERVED.

# REPLACEMENT PARTS SUITABLE FOR

## TREGASKISS®

### TOUGH GUN® 200, 300, 400, 500



Item	Part No.	Description	Std. Pkg.	Item	Part No.	Description	Std. Pkg.
1.	401-4-38	Nozzle Insul. 3/8", Flush	5				
2.	401-4-50	Nozzle Insul. 1/2", 1/8" Recess	5				
	401-4-62	Nozzle Insul. 5/8", 1/8" Recess	5				
	401-4-75	Nozzle Insul. 3/4", 1/8" Recess	5				
3.	401-5-62	Nozzle Insul. 5/8" HD	5				
	401-5-75	Nozzle Insul. 3/4" HD	5				
4.	401-6-75	Nozzle HD Insul. 3/4", 1/8" Recess	5				
	401-6-62	Nozzle HD Insul. 5/8", 1/8" Recess	5				
5.	403-45	Contact Tip .045	25				
	403-116	Contact Tip 1/16	25				
	403-52	Contact Tip .052	25				
	403-35	Contact Tip .035	25				
6.	403-3-35	Contact Tip HD Tapered .035	25				
	403-3-52	Contact Tip .052" HD	25				
	403-3-116	Contact Tip 1/16" HD	25				
	403-3-45	Contact Tip HD Tapered .045	25				
	403-2-35	Contact Tip Tapered .050	25				
7.	403-1-35	Contact Tip .035 HD	25				
	403-1-116	Contact Tip 1/16" HD	25				
	403-1-40	Contact Tip .040" HD	25				
	403-1-45	Contact Tip .045" HD	25				
				8.	404	Gas Diffuser	5
					404-10	Gas Diffuser	5
				9.	404-1	Gas Diffuser HD	5
				10.	402-3	Nozzle Retaining Ring	5
				11.	402-4	Retaining Ring	5
					404-3	Retainer	5
					404-13	Retaining Head with Setscrew	5
				12.	402-5	Shock Washer HD	5
					402-7	Shock Washer	5
				13.	305-60	Gooseneck 300A	1
					405-60	Gooseneck 400A	1
				14.	415-116-15	Liner 15', .045 -1/16	1
					415-116-25	Liner 25', .045 -1/16	1
					415-35-15	Liner 15', .035	1
					415-35-25	Liner 25', .035	1
					415-332-15	Liner 15', .078 -3/32	1
					415-116-2	Liner 15', .045 -1/16	1
					415-564-25	Liner 25', 5/64"	1

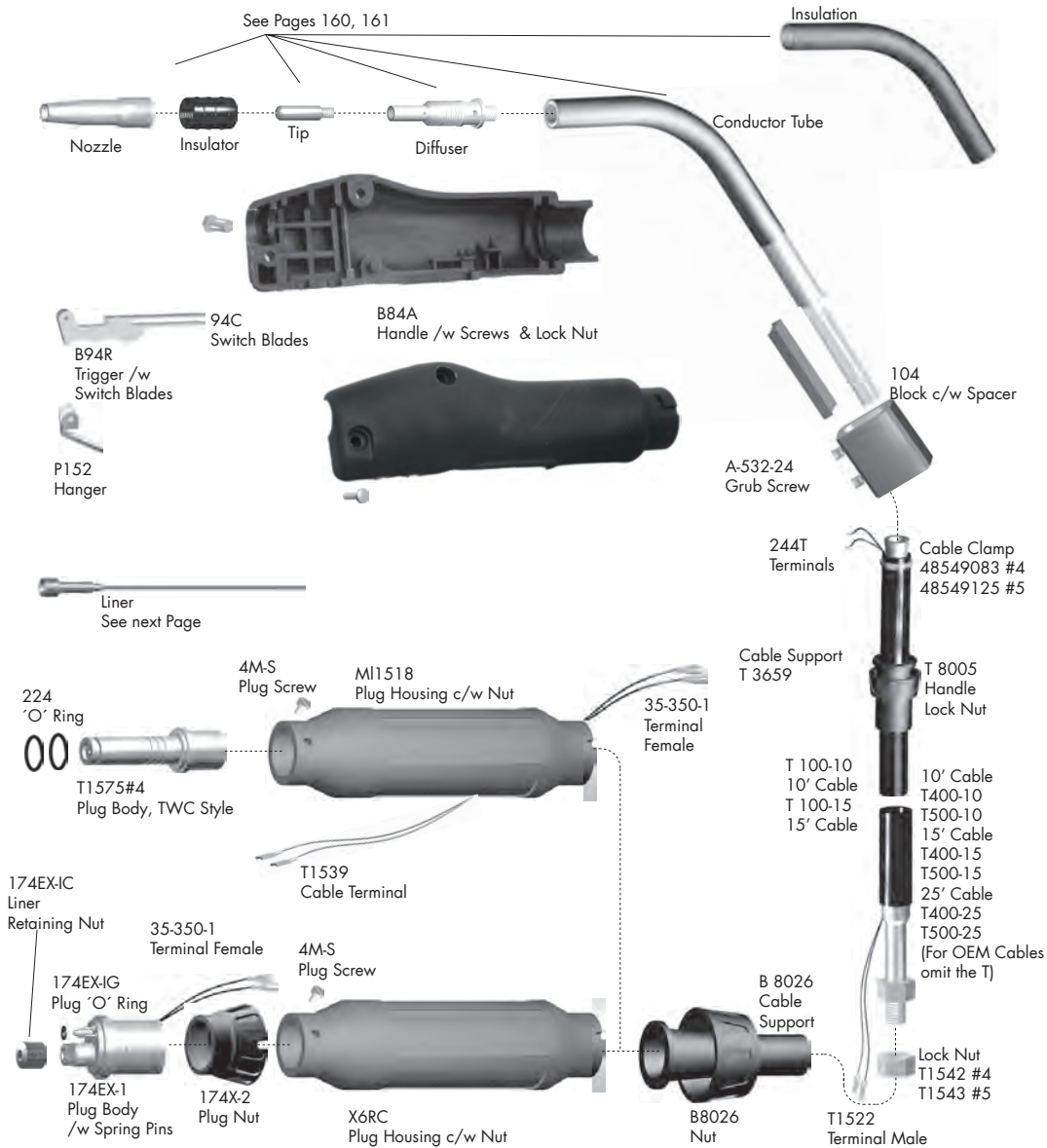
THERMACUT®, FHT-EX® AND EX-TRAFIRE® ARE THE REGISTERED TRADEMARKS OF THERMACUT K.S. AND MAY BE REGISTERED IN THE CZECH REPUBLIC AND/OR OTHER COUNTRIES. ALL OTHER TRADEMARKS ARE PROPERTIES OF THEIR RESPECTIVE OWNERS. THERMACUT IS NO WAY AFFILIATED WITH TREGASKISS®. MOST THERMACUT PARTS ARE MADE FOR OR BY AN IBG COMPANY. PARTS INDICATED WITH OEM SUFFIX ARE ORIGINAL PARTS MANUFACTURED BY THE ABOVE-NAMED MANUFACTURER AND ARE BEING RESOLD BY THERMACUT. THERMACUT RESERVES THE RIGHT TO SUBSTITUTE OEM PARTS IN PLACE OF THERMACUT PARTS. VALID FROM OCTOBER 2017 • PREVIOUS VERSION IS NO LONGER VALID. THIS CATALOG IS VALID FOR USA CUSTOMERS ONLY. • © COPYRIGHT 2017 BY THERMACUT® CZECH REPUBLIC. ALL RIGHTS RESERVED.



# REPLACEMENT PARTS SUITABLE FOR

## TWECO®

### #4 AND #5 GUNS



### GUN w/ CABLE

Gun Size 4 or 5

TX xx-x-x

Cable Length (10', 15')

Liner Size  
E=.035-.045  
F= 1/16  
G= 5/64  
H= 3-32  
1/64

Plug Style  
(Beu, BQ, E, Eu, H, L, M, T)  
plug details on Page 16

Model	Description
T410ET	#4 Gun with 10' Cable, TWC Plug
T415ET	#4 Gun with 15' Cable, TWC Plug
T425ET	#4 Gun with 10' Cable, TWC Plug
T510ET	#5 Gun with 10' Cable, TWC Plug
T515FT	#5 Gun with 15' Cable, TWC Plug
T525FT	#5 Gun with 25' Cable, TWC Plug

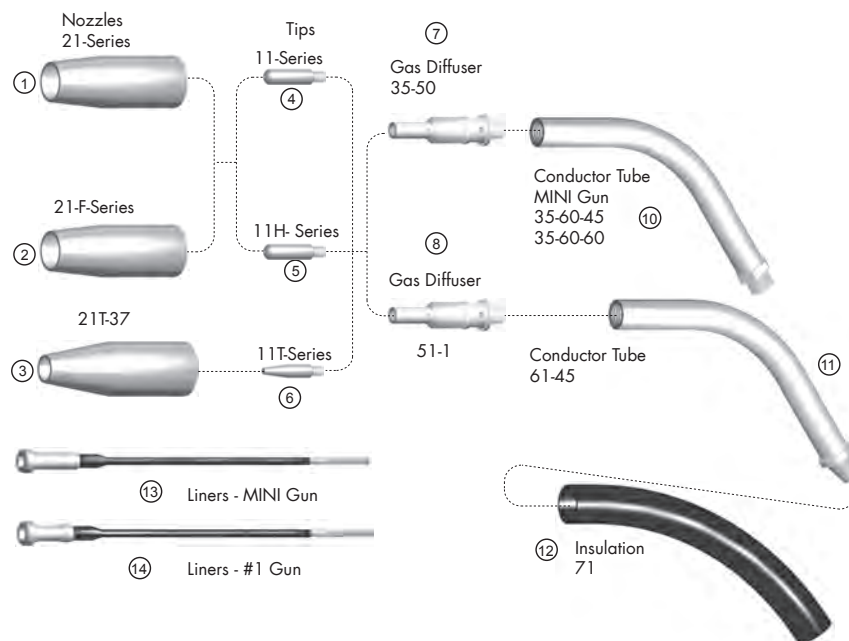
THERMACUT®, FHT-EX® AND EX-TRAFIRE® ARE THE REGISTERED TRADEMARKS OF THERMACUT K.S. AND MAY BE REGISTERED IN THE CZECH REPUBLIC AND/OR OTHER COUNTRIES. ALL OTHER TRADEMARKS ARE PROPERTIES OF THEIR RESPECTIVE OWNERS. THERMACUT IS NO WAY AFFILIATED WITH TWECO®. MOST THERMACUT PARTS ARE MADE FOR OR BY AN IBG COMPANY. PARTS INDICATED WITH OEM SUFFIX ARE ORIGINAL PARTS MANUFACTURED BY THE ABOVE-NAMED MANUFACTURER AND ARE BEING RESOLD BY THERMACUT. THERMACUT RESERVES THE RIGHT TO SUBSTITUTE OEM PARTS IN PLACE OF THERMACUT PARTS. VALID FROM OCTOBER 2017 • PREVIOUS VERSION IS NO LONGER VALID. THIS CATALOG IS VALID FOR USA CUSTOMERS ONLY. • © COPYRIGHT 2017 BY THERMACUT® CZECH REPUBLIC. ALL RIGHTS RESERVED.



# REPLACEMENT PARTS SUITABLE FOR

## TWECO®

### MINI & #1 GUNS



Item	Part No.	Description	Std. Pkg.	Item	Part No.	Description	Std. Pkg.
1.	21-37	Nozzle 3/8" Insulated	5		11T40	Contact Tip .040, Tapered	25
	21-50	Nozzle 1/2" Insulated	5	7.	35-50	Gas Diffuser, Mini	25
	21-62	Nozzle 5/8" Insulated	5	8.	51	Gas Diffuser #1 .035 -.045	5
2.	21-37F	Nozzle Flush 3/8", Insulated	5		51-23	Gas Diffuser, #1 .023 MINI	5
	21-50F	Nozzle Flush 1/2", Insulated	5	10.	35-60-60	Conductor Tube 60/60°	5
	21-62F	Nozzle Flush 5/8", Insulated	5	11.	61-45	Conductor Tube 45°	5
3.	21T37	Nozzle Taper, 1/8" Recess	5	12.	71	Insulation #1 Gun	1
4.	11-45	Contact Tip .045	25	13.	42-23-15	Liner 15', .023	1
	11-23	Contact Tip .023	25		42-3035-15	Liner 15', .030 -.035	1
	11-30	Contact Tip .030	25		42-3035-25	Liner 25', .030 -.035	1
	11-35	Contact Tip .035	25		42-4045-15	Liner 15', .040 -.045	1
	11-40	Contact Tip .040	25		42-4045-25	Liner 25', .040 -.045	1
5.	11H45	Contact Tip HD .045	25		42N-3545-15	Liner Nylon 15' .035 -.045	1
	11H35	Contact Tip HD .035	25	14.	23-40-15	Liner 15' .023	1
6.	11T45	Contact Tip .045, Tapered	25		35-40-15	Liner 15' .030 -.035	1
	11T23	Contact Tip .023, Tapered	25		35TF-40-10	Liner 15' PTFE 10' .035	1
	11T30	Contact Tip .030, Tapered	25		45-40-15	Liner 15', .045	1
	11T35	Contact Tip .035, Tapered	25		122FM	Binder Screw & Post	5

THERMACUT®, FHT-EX® AND EX-TRAFIRE® ARE THE REGISTERED TRADEMARKS OF THERMACUT K.S. AND MAY BE REGISTERED IN THE CZECH REPUBLIC AND/OR OTHER COUNTRIES. ALL OTHER TRADEMARKS ARE PROPERTIES OF THEIR RESPECTIVE OWNERS. THERMACUT IS NO WAY AFFILIATED WITH TWECO®. MOST THERMACUT PARTS ARE MADE FOR OR BY AN IBG COMPANY. PARTS INDICATED WITH OEM SUFFIX ARE ORIGINAL PARTS MANUFACTURED BY THE ABOVE-NAMED MANUFACTURER AND ARE BEING RESOLD BY THERMACUT. THERMACUT RESERVES THE RIGHT TO SUBSTITUTE OEM PARTS IN PLACE OF THERMACUT PARTS. VALID FROM OCTOBER 2017 • PREVIOUS VERSION IS NO LONGER VALID. THIS CATALOG IS VALID FOR USA CUSTOMERS ONLY. • © COPYRIGHT 2017 BY THERMACUT® CZECH REPUBLIC. ALL RIGHTS RESERVED.

**THERMACUT®**  
THE CUTTING COMPANY™

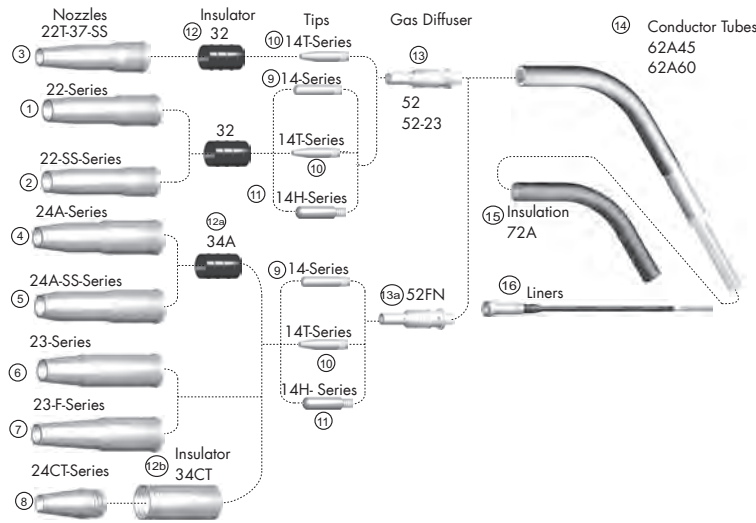
THERMACUT, INC  
153 CHARLESTOWN ROAD  
CLAREMONT, NH 03743

WWW.THERMACUT.COM  
(800) 932-8312 TEL  
(800) 972-6255 FAX

# REPLACEMENT PARTS SUITABLE FOR

## TWECO®

### #2 GUN



Item	Part No	Description	Std. Pkg
1.	22-50	Nozzle 1/2", #2	5
	22-62	Nozzle 5/8", #2	5
2.	22-50SS	Nozzle Short 1/2", #2	5
	22-62SS	Nozzle Short 5/8", #2	5
	22-37SS	Nozzle Short 3/8"	5
3.	22T37SS	Nozzle Tapered, 3/8", #2	5
4.	24A50	Nozzle 1/2", #2,3,4	5
	24A62	Nozzle 5/8", #2,3,4	5
	24A75	Nozzle 3/4", #2,3,4	5
5.	24A37SS	Nozzle Short Stop 3/8", #2,3,4	5
	24A50SS	Nozzle Short Stop 1/2", #2,3,4	5
	24A62SS	Nozzle Short Stop 5/8", #2,3,4	5
	24A75SS	Nozzle Short Stop 3/4", #2,3,4	5
	24AT37SS	Nozzle 3/8", #2,3,4	5
6.	23-37	Nozzle Insul. 3/8", #2,3,4	5
	23-50	Nozzle Insul. 1/2", #2,3,4	5
	23-62	Nozzle Insul. 5/8", #2,3,4	5
	23H62	Nozzle, 5/8"	5
	23-75	Nozzle Insul. 3/4", #2,3,4	5
	23T37	Nozzle 3/8", #2,3,4	5
7.	23-37F	Nozzle Insul. 3/8", Flush	5
	23-50F	Nozzle Insul. 1/2", Flush	5
	23-62F	Nozzle Insul. 5/8", Flush	5
	23T37F	Nozzle Insul. Taper 3/8" Flush	5
8.	24CT37S	Nozzle 3/8", #2,3,4	5
	24CT50S	Nozzle 1/2", Coarse, #2,3,4	5

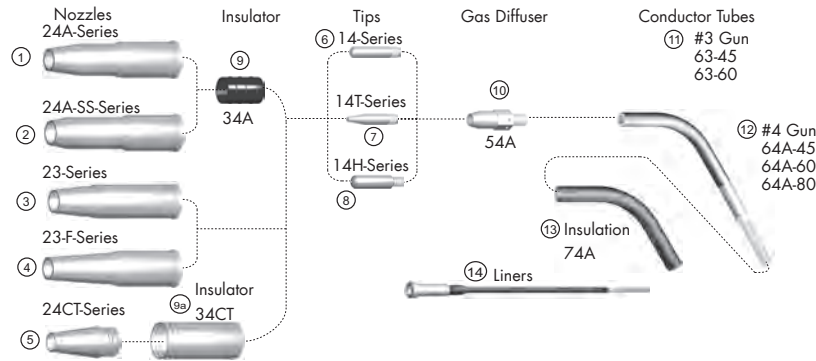
Item	Part No	Description	Std. Pkg
	24CT62R	Nozzle 5/8", Coarse, #2,3,4	5
	24CT62S	Nozzle 5/8", Coarse, #2,3,4	5
	24CT75S	Nozzle 3/4", Coarse, #2,3,4	5
9.	14-23	Contact Tip .023	25
	14-30	Contact Tip .030	25
	14-35	Contact Tip .035	25
	14-40	Contact Tip .040	25
	14-45	Contact Tip .045	25
	14-52	Contact Tip .052	25
	14A364	Contact Tip 3/64"	25
	14T23	Contact Tip Tapered .023	25
	14T30	Contact Tip Tapered .030	25
	14T35	Contact Tip Tapered .035	25
	14T40	Contact Tip Tapered .040	25
	14T45	Contact Tip Tapered .045	25
10.	14AH364	Contact Tip 3/64"	25
	14H35	Contact Tip .035 HD	25
	14H40	Contact Tip .040 HD	25
	14H45	Contact Tip .045 HD	25
11.	32	Insulator #2	5
	T-4032	Insulator, 32 Series	5
12.	34A	Insulator #2,3,4	5
	T-4034	Insulator, 34A Series	5
	34FN	Insulator, Fine Thread	5
12a.	34CT	Insulator, Coarse Thread	5
12b.	52	Gas Diffuser, .030-.045	5
	52-23	Gas Diffuser, .023	5
13.	52FN	Gas Diffuser, Fixed Nozzle	5
13a.	62A45	Conductor Tube 45°	1
	62A60	Conductor Tube 60°	1
14.	72A	Insulation #2 Gun	5
15.	42-23-15	Liner 15', .023	1
	42-3035-15	Liner 15', .030-.035	1
	42-3035-25	Liner 25', .030-.035	1
	42-4045-15	Liner 15', .040-.045	1
	42-4045-25	Liner 25', .040-.045	1
	42N3545-15	Liner Nylon 15', .035-.045	1

THERMACUT®, FHT-EX® AND EX-TRAFIRE® ARE THE REGISTERED TRADEMARKS OF THERMACUT K.S. AND MAY BE REGISTERED IN THE CZECH REPUBLIC AND/OR OTHER COUNTRIES. ALL OTHER TRADEMARKS ARE PROPERTIES OF THEIR RESPECTIVE OWNERS. THERMACUT IS NO WAY AFFILIATED WITH TWECO®. MOST THERMACUT PARTS ARE MADE FOR OR BY AN IBG COMPANY. PARTS INDICATED WITH OEM SUFFIX ARE ORIGINAL PARTS MANUFACTURED BY THE ABOVE-NAMED MANUFACTURER AND ARE BEING RESOLD BY THERMACUT. THERMACUT RESERVES THE RIGHT TO SUBSTITUTE OEM PARTS IN PLACE OF THERMACUT PARTS. VALID FROM OCTOBER 2017 • PREVIOUS VERSION IS NO LONGER VALID. THIS CATALOG IS VALID FOR USA CUSTOMERS ONLY. • © COPYRIGHT 2017 BY THERMACUT® CZECH REPUBLIC. ALL RIGHTS RESERVED.

# REPLACEMENT PARTS SUITABLE FOR

## TWECO®

### #3 & #4 GUNS



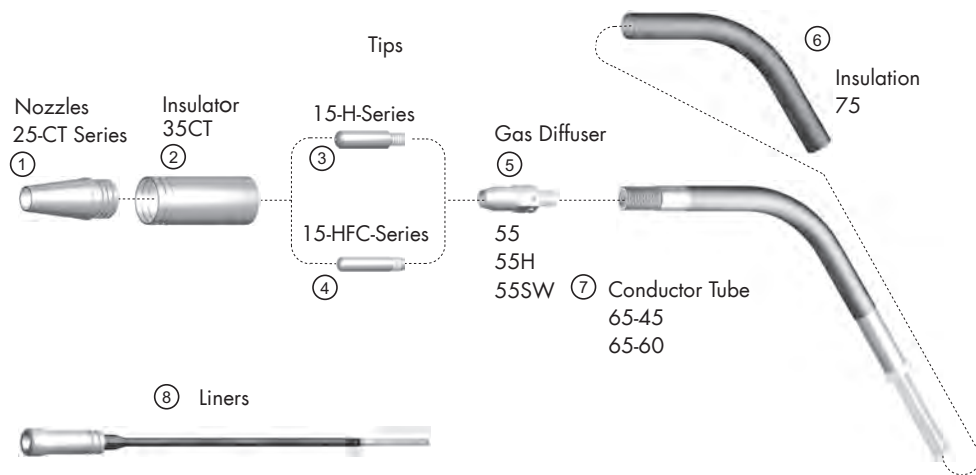
Item	Part No.	Description	Std. Pkg	Item	Part No.	Description	Std. Pkg.
1.	24A50	Nozzle 1/2, #2,3,4	5	14T52	Contact Tip Tapered .052	25	
	24A62	Nozzle 5/8, #2,3,4	5	14AH116	Contact Tip 1/16"	25	
	24A75	Nozzle 3/4, #2,3,4	5	14AH364	Contact Tip 3/64"	25	
	24AH62	Nozzle HD 5/8	5	8. 14H116	Contact Tip 1/16" HD	25	
	24AH75	Nozzle HD 3/4	5	14H35	Contact Tip .035 HD	25	
2.	24A37SS	Nozzle Short Stop 3/8	5	14H40	Contact Tip .040 HD	25	
	24A50SS	Nozzle Short Stop 1/2	5	14H45	Contact Tip .045 HD	25	
	24A62SS	Nozzle Short Stop 5/8	5	14H52	Contact Tip .052 HD	25	
	24A75SS	Nozzle Short Stop 3/4	5	14H564	Contact Tip 5/64" HD	25	
	24AT37SS	Nozzle Short Stop 3/8, Taper	5	9. 34A	Insulator #2,3,4 Gun	5	
3.	23-37	Nozzle Insul. 3/8	5	9a. 34CT	Insulator #2,3,4 Gun CT	5	
	23-50	Nozzle Insul. 1/2	5	10. 54A	Gas Diffuser	5	
	23-62	Nozzle Insul. 5/8	5	11. 63-45	Conductor Tube 45°	1	
	23-75	Nozzle Insul. 3/4	5	63-60J	Conductor Tube, Metal Jacketed	1	
	23T37	Nozzle 3/8, Taper	5	12. 64A60J	Conductor Tube, Metal Jacketed	1	
4.	23-37F	Nozzle Insul. 3/8, Flush	5	64A45	Conductor Tube 45°	1	
	23-50F	Nozzle Insul. 1/2, Flush	5	64A60	Conductor Tube 60°	1	
	23-62F	Nozzle Insul. 5/8, Flush	5	13. 74A	Insulation	5	
	23T37F	Nozzle Insul. Taper 3/8 Flush	5	14. 44N3545-15	Liner Nylon 25' .035-.045	1	
5.	24CT37S	Nozzle 3/8	5	44-116-15	Liner 15' 1/16"	1	
	24CT50S	Nozzle 1/2, Coarse Thread	5	44-116-25	Liner 25' 1/16"	1	
	24CT62R	Nozzle 5/8	5	44-3545-15	Liner 15' .035-.045	1	
	24CT62S	Nozzle 5/8, Coarse Thread	5	44-3545-25	Liner 25' .035-.045	1	
	24CT75S	Nozzle 3/4, Coarse Thread	5	44-564-15	Liner 15' 5/64"	1	
6.	14-116	Contact Tip 1/16	25	44-564-25	Liner 25' 5/64"	1	
	14-23	Contact Tip .023	25	44N-116-15	Liner Nylon 15' 1/16"	1	
	14-35	Contact Tip .035	25	NS 94R	Switch Assembly	1	
	14-45	Contact Tip .045	25	NS 144-12	Cable, 12'	1	
	14-52	Contact Tip .052	25	NS 144-6	Hose Support Handle	5	
	14-564	Contact Tip 5/64	25	NS 224	O-Ring	10	
	14A116	Contact Tip 1/16	25	NS 34FN	Insulator, Fine Thread	5	
	14A364	Contact Tip 3/64	25	NS 24FN62S	Nozzle 5/8", Fine Thread	5	
7.	14T116	Contact Tip Tapered 1/16	25	NS 24FN75S	Nozzle 3/4", Fine Thread	5	
	14T23	Contact Tip Tapered .023	25	NS 400-10	OEM #4 Hose Cable Assy, 10'	1	
	14T30	Contact Tip Tapered .030	25	NS 400-15	OEM #4 Hose Cable Assy, 15'	1	
	14T35	Contact Tip Tapered .035	25	NS 84A	Handle with Screws	1	
	14T40	Contact Tip Tapered .040	25	NS 94C	Switch Blades	1	
	14T45	Contact Tip Tapered .045	25				

THERMACUT®, FHT-EX® AND EX-TRAFIRE® ARE THE REGISTERED TRADEMARKS OF THERMACUT K.S. AND MAY BE REGISTERED IN THE CZECH REPUBLIC AND/OR OTHER COUNTRIES. ALL OTHER TRADEMARKS ARE PROPERTIES OF THEIR RESPECTIVE OWNERS. THERMACUT IS NO WAY AFFILIATED WITH TWECO®. MOST THERMACUT PARTS ARE MADE FOR OR BY AN IBG COMPANY. PARTS INDICATED WITH OEM SUFFIX ARE ORIGINAL PARTS MANUFACTURED BY THE ABOVE-NAMED MANUFACTURER AND ARE BEING RESOLD BY THERMACUT. THERMACUT RESERVES THE RIGHT TO SUBSTITUTE OEM PARTS IN PLACE OF THERMACUT PARTS. VALID FROM OCTOBER 2017 • PREVIOUS VERSION IS NO LONGER VALID. THIS CATALOG IS VALID FOR USA CUSTOMERS ONLY. • © COPYRIGHT 2017 BY THERMACUT® CZECH REPUBLIC. ALL RIGHTS RESERVED.

# REPLACEMENT PARTS SUITABLE FOR

## TWECO®

### #5 GUN



Item	Part No.	Description	Std. Pkg.
1.	25CT50	Nozzle 1/2", Coarse Thread	5
	25CT62	Nozzle 5/8", Coarse Thread	5
	25CT75	Nozzle 3/4", Coarse Thread	5
2.	35CT	Insulator Coarse, #5	5
3.	15H116	Contact Tip, 1/16" HD	25
	15H332	Contact Tip 3/32" HD	25
	15H35	Contact Tip .035 HD	25
	15H45	Contact Tip .045 HD	25
	15H52	Contact Tip .052 HD	25
	15H564	Contact Tip 5/64" HD	25
4.	15HFC116	Contact Tip 1/16" HD Fix.-Cor.	25
	15HFC332	Contact Tip 3/32" HD Fix.-Cor.	25
	15HFC45	Contact Tip .045 HD Fix.-Cor.	25
	15HFC764	Contact Tip 7/64" HD Fix.-Cor.	25
5.	55	Gas Diffuser (use with 45N-116,45-564 Liner)	5
	55H	Gas Diffuser (use with 45-3545,45-116 Liner)	5
	55SW	Gas Diffuser (use with 45H-332,45H-764 Liner)	5
6.	75	Insulation Conductor Tube	5
7.	65-45	Conductor Tube 45°	1
	65-60	Conductor Tube 60°	1
	65J60	Conductor Tube, Metal Jacketed	1
8.	45-116-15	Liner 15' 1/16"	1
	45-116-25	Liner 25' 1/16"	1
	45-3545-15	Liner 15' .035-.045	1

Item	Part No.	Description	Std. Pkg.
	45-3545-25	Liner 25' .035-.045	1
	45-564-25	Liner 25' 5/64"	1
	45H-332-15	Liner 15' 3/32"	1
	45H-764-15	Liner 15' 7/64"	1
	45N-116-15	Liner Nylon 15' 1/16"	1
	45N-3545-15	Liner Nylon 25' .035-.045	1

### SPRAYMASTER™

Item	Part No.	Description	Std. Pkg.
	NS 16S-116	Contact Tip 1/16" (1.6mm)	25
	NS 16S-35	Contact Tip .035" (0.9mm)	25
	NS 16S-45	Contact Tip .045 (1.2mm)	25
	NS 16S-564	Contact Tip 5/64" (2.0mm)	25
	NS 16S-52	Contact Tip .052	25
	NS HD24-62	Nozzle 5/8"	5
	NS HD24L-62	Nozzle, 5/8" Heavy Duty	5
	NS HD54-16	Gas Diffuser	5
	NS HD24L-50	Nozzle, 1/2"	5
	NS HD24L-50F	Nozzle, 1/2" Flush	5
	NS HD24L-62F	Nozzle, 5/8", HD, Flush	5
	NS HD24L-75	Nozzle, 3/4", HD	5
	NS HD24L-75F	Nozzle, 3/4", HD, Flush	5

THERMACUT®, FHT-EX® AND EX-TRAFIRE® ARE THE REGISTERED TRADEMARKS OF THERMACUT K.S. AND MAY BE REGISTERED IN THE CZECH REPUBLIC AND/OR OTHER COUNTRIES. ALL OTHER TRADEMARKS ARE PROPERTIES OF THEIR RESPECTIVE OWNERS. THERMACUT IS NO WAY AFFILIATED WITH TWECO®. MOST THERMACUT PARTS ARE MADE FOR OR BY AN IBG COMPANY. PARTS INDICATED WITH OEM SUFFIX ARE ORIGINAL PARTS MANUFACTURED BY THE ABOVE-NAMED MANUFACTURER AND ARE BEING RESOLD BY THERMACUT. THERMACUT RESERVES THE RIGHT TO SUBSTITUTE OEM PARTS IN PLACE OF THERMACUT PARTS. VALID FROM OCTOBER 2017 • PREVIOUS VERSION IS NO LONGER VALID. THIS CATALOG IS VALID FOR USA CUSTOMERS ONLY. • © COPYRIGHT 2017 BY THERMACUT® CZECH REPUBLIC. ALL RIGHTS RESERVED.

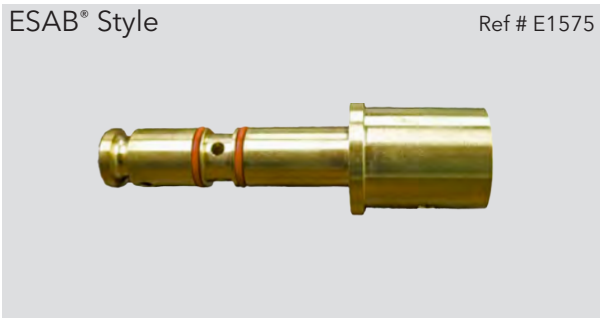


## REPLACEMENT PARTS SUITABLE FOR

# MIG GUN PLUGS

ESAB® Style

Ref # E1575



Euro (TWECO®) Style

Ref # 174X-2 (Not Shown)  
Ref # 174EX-1



HOBART® Style

Ref # H1575



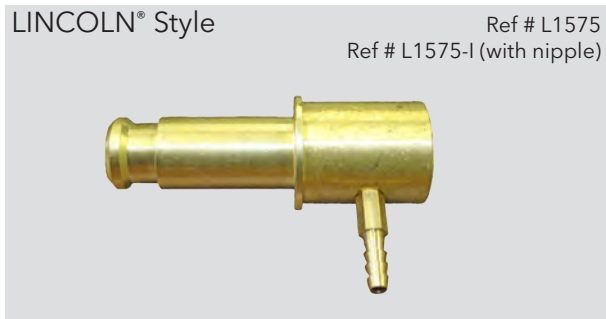
LINCOLN® L2 Style

Ref # L1574



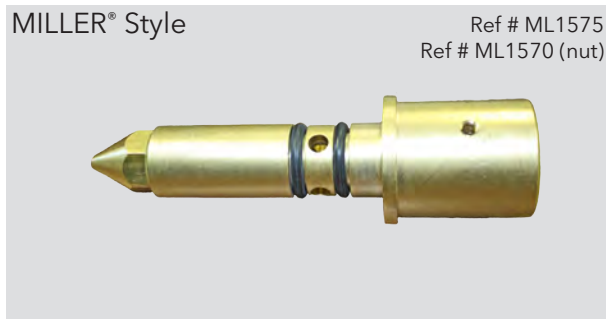
LINCOLN® Style

Ref # L1575  
Ref # L1575-I (with nipple)



MILLER® Style

Ref # ML1575  
Ref # ML1570 (nut)



TWECO® / LINCOLN® L3 Style

Ref # T1575



THERMACUT®, FHT-EX® AND EX-TRAFIRE® ARE THE REGISTERED TRADEMARKS OF THERMACUT K.S. AND MAY BE REGISTERED IN THE CZECH REPUBLIC AND/OR OTHER COUNTRIES. ALL OTHER TRADEMARKS ARE PROPERTIES OF THEIR RESPECTIVE OWNERS. THERMACUT IS NO WAY AFFILIATED WITH ESAB®, HOBART®, LINCOLN®, TWECO®, MILLER®. MOST THERMACUT PARTS ARE MADE FOR OR BY AN IBG COMPANY. PARTS INDICATED WITH OEM SUFFIX ARE ORIGINAL PARTS MANUFACTURED BY THE ABOVE-NAMED MANUFACTURER AND ARE BEING RESOLD BY THERMACUT. THERMACUT RESERVES THE RIGHT TO SUBSTITUTE OEM PARTS IN PLACE OF THERMACUT PARTS. VALID FROM OCTOBER 2017 • PREVIOUS VERSION IS NO LONGER VALID. THIS CATALOG IS VALID FOR USA CUSTOMERS ONLY. • © COPYRIGHT 2017 BY THERMACUT® CZECH REPUBLIC. ALL RIGHTS RESERVED.

## TIG WELDING

What you need to know about Tungsten...

How Quality Control is addressed with Thermacut Tungsten

“Centerless Ground, Precision Centerless Ground, or Ground” All the terms mean the same thing As a requirement of the ISO and AWS specifications, good quality tungsten is centerless ground, precision centerless ground or ground. Our electrodes are centerless ground.

“Annealed”

Annealing is analogous to the heating-treating processes whereby the electrodes are heated in an oven to a specified temperature, rate and duration to inspire atomic settling where the grain structure Tungsten becomes more consistent and facilitating electron migration. Our electrodes are annealed.

“100% Eddy Current Tested”

Eddy current testing monitors the electrical field properties surrounding the electrode as current passes through it. This test verifies proper current flow and detects any voids, cracks or other physical imperfections that would impede performance. Since ISO requires a lot control, a failed lot can then be controlled, segregated, re-tested and scrapped if necessary. All our tungsten is eddy current tested.

Sharpening Your Tungsten

A common mistake by most companies is using a contaminated grinding wheel. By not using a dedicated system any impurities left on the grinding wheel from your last use are now imbedded into the tungsten. The end result is a poor weld.

Call today to learn more about our Tungsten Grinder

Pure – color coded Green

Part No	Description	Std. Pkg
T040-7-PUR	Tungsten, .040x7, GND, PUR	10
T1/16-7-PUR	Tungsten, 1/16x7, GND, PUR	10
T1/4-7-PUR	Tungsten, 1/4x7, GND, PUR	5
T1/8-3-PUR	Tungsten, 1/8x3, GND, PUR	10
T1/8-7-PUR	Tungsten, 1/8x7, GND, PUR	10
T3/32-3-PUR	Tungsten, 3/32x3, GND, PUR	10
T3/32-7-PUR	Tungsten, 3/32x7, GND, PUR	10
T5/32-7-PUR	Tungsten, 5/32x7, GND, PUR	10

E3 Tungsten - The Supreme Tungsten Electrode

Part No.	Description	Std. Pkg
T020-7E3	.20X7 GRND E3 TUNGSTEN	10
T040-7E3	.40X7 GRND E3 TUNGSTEN	10
T1/16-7E3	1/16X7 GRND E3 TUNGSTEN	5
T1/8-7E3	1/8X7 GRND E3 TUNGSTEN	10
T3/16-7E3	3/16 GRND E3 TUNGSTEN	10
T3/32-7E3	3/32X7 GRND E3 TUNGSTEN	10
T5/32-7E3	5/32X7 GRND E3 TUNGSTEN	10

1.5% Lanthanum – color coded Gold

Part No.	Description	Std. Pkg
T1/16-7-LAN	Tungsten, 1/16x7, GND 1.5% LA	10
T1/4-7-LAN	Tungsten, 1/4x7, GND 1.5% LA	5
T1/8-7-LAN	Tungsten, 1/8x7, GND 1.5% LA	10
T3/32-7-LAN	Tungsten, 3/32x7, GND 1.5% LA	20

Zirconium – color coded Brown

Part No.	Description	Std. Pkg
T040-7-ZIR	Tungsten, .040x7, GND, ZIR	10
T1/16-7-ZIR	Tungsten, 1/16x7, GND, ZIR	10
T1/8-7-ZIR	Tungsten, 1/8x7, GND, ZIR	10
T3/32-7-ZIR	Tungsten, 3/32x7, GND, ZIR	10
T5/32-7-ZIR	Tungsten, 5/32x7, GND, ZIR	10

2% Cerium – color coded Gray

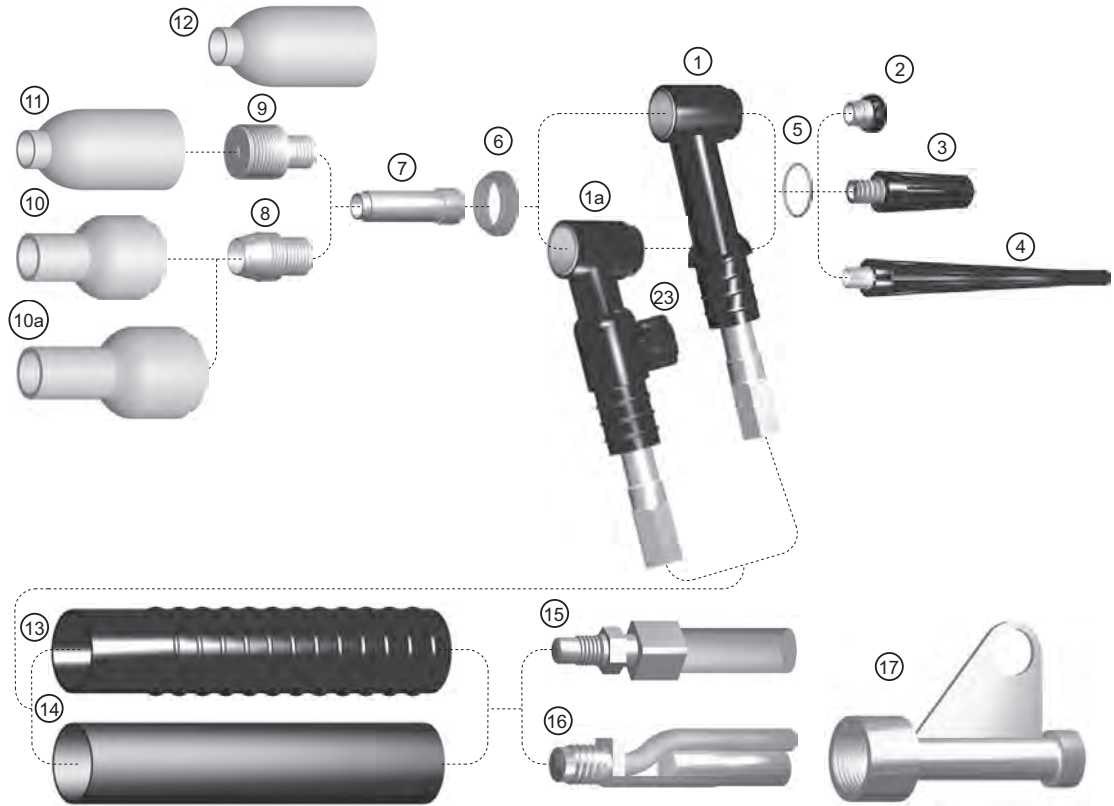
Part No.	Description	Std. Pkg
T1/16-7-CER	Tungsten, 1/16x7, GND 2% CER	10
T1/8-7-CER	Tungsten, 1/8x7, GND 2% CER	10
T3/32-3-CER	Tungsten, 3/32x3, GND 2% CER	10
T3/32-7-CER	Tungsten, 3/32x7, GND 2% CER	10
T5/32-7-CER	Tungsten, 5/32x7, GND 2% CER	10

THERMACUT®, FHT-EX® AND EX-TRAFIRE® ARE THE REGISTERED TRADEMARKS OF THERMACUT K.S. AND MAY BE REGISTERED IN THE CZECH REPUBLIC AND/OR OTHER COUNTRIES. ALL OTHER TRADEMARKS ARE PROPERTIES OF THEIR RESPECTIVE OWNERS. MOST THERMACUT PARTS ARE MADE FOR OR BY AN IGB COMPANY. VALID FROM OCTOBER 2017 • PREVIOUS VERSION IS NO LONGER VALID. THIS CATALOG IS VALID FOR USA CUSTOMERS ONLY. • © COPYRIGHT 2017 BY THERMACUT® CZECH REPUBLIC. ALL RIGHTS RESERVED.

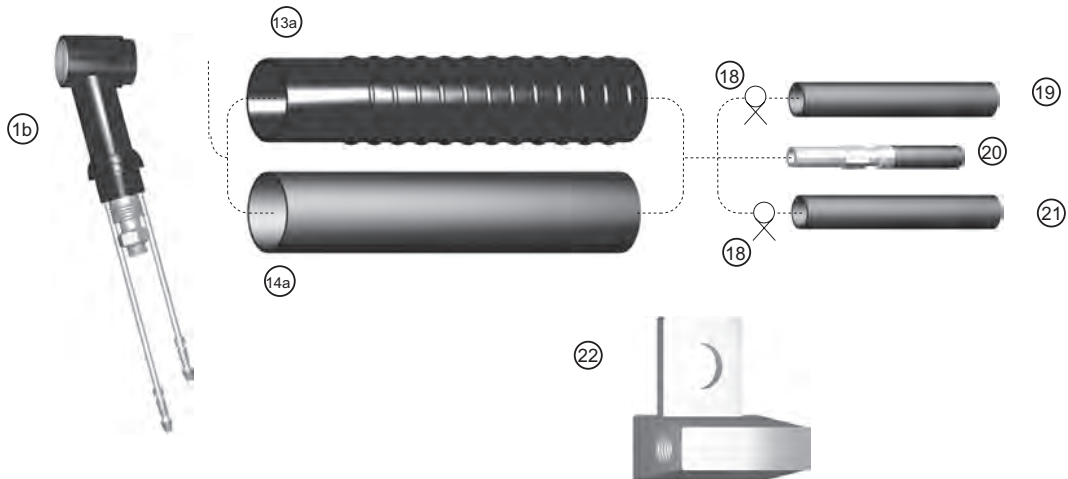
## REPLACEMENT PARTS SUITABLE FOR

# TIG TORCHES 9, 20, 24, 25

### 125 AMP AIR COOLED MODEL 9



### 250 AMP WATER COOLED MODEL 20



THERMACUT®, FHT-EX® AND EX-TRAFIRE® ARE THE REGISTERED TRADEMARKS OF THERMACUT K.S. AND MAY BE REGISTERED IN THE CZECH REPUBLIC AND/OR OTHER COUNTRIES. ALL OTHER TRADEMARKS ARE PROPERTIES OF THEIR RESPECTIVE OWNERS. MOST THERMACUT PARTS ARE MADE FOR OR BY AN IBG COMPANY. VALID FROM OCTOBER 2017 • PREVIOUS VERSION IS NO LONGER VALID. THIS CATALOG IS VALID FOR USA CUSTOMERS ONLY. • © COPYRIGHT 2017 BY THERMACUT® CZECH REPUBLIC. ALL RIGHTS RESERVED.

## REPLACEMENT PARTS SUITABLE FOR

# TIG TORCHES 9, 20, 24, 25

Item	Part No.	Description	Torch	Std. Pkg.	
1.	SR-9-12-2	125A Torch Pkg., 2 pc, 12'	9	1	
	SR-9F-12R	125A Torch Pkg., 12'	9	1	
	HP-9-12R	125A Torch Pkg., 12'	9	1	
	HP-9-25R	125A Torch Pkg., 25'	9	1	
	SR-9	125A Torch Body	9	1	
	SR-9-12R	125A Torch Pkg., 12'	9	1	
	SR-12-2	125A Torch Pkg., 2 pc, 12'	9	1	
	SR-9-25R	125A Torch Pkg., 25'	9	1	
	SR-9F	125A Torch Body, Flexible	9	1	
	SR-9F-25R	125A Torch Pkg., 25'	9	1	
	1a.	SR-9FV	125A Torch Body, Flex with Valve	9	1
		SR-9FV-12R	125A Torch Pkg., 12' with Valve	9	1
		SR-9FV-25R	125A Torch Flex 25' with Valve	9	1
		SR-9V	125A Torch Body, with Valve	9	1
		SR-9V-12-2	125A Torch Pkg., 12' with Valve	9	1
		SR-9V-12R	125A Torch Pkg., 12' with Valve	9	1
		SR-9V-25R	125A Torch Pkg., 25' with Valve	20	1
1b.		HP-20	250A Torch Body	20	1
	HP-20-12	250A Torch Pkg., 12'	20	1	
	HP-20-25	250A Torch Pkg., 25'	20	1	
	SR-20	250A Torch Body	20	1	
	SR-20-12	250A Torch Pkg., 12'	20	1	
	SR-20-12R	250A Torch Pkg., 25'	20	1	
	SR-20-25	250A Torch Pkg., 25'	20	1	
	SR-20F-25R	250A Torch Pkg., 25'	20	1	
	SR-20-25R	250A Torch Pkg., 25'	24	1	
	HP-24	80 Amp Air-Cooled Torch	9,20	1	
2.	41V33	Back Cap, Short	9,20	5	
	41V35	Back Cap, Medium	9,20	5	
3.	41V24	Back Cap, Long	9,20	5	
4.	98W77	O-Ring	9,20	10	
	598882	Cup Gasket	9,20	1	
7.	13N21	Collet .040	9,20	5	
	13N22	Collet 1/16	9,20	5	
	12N23	Collet 3/32	9,20	5	
	13N24	Collet 1/8	24	5	
	53N14	Collet 1/16	24	5	
	53N16	Collet .040	9	5	
	8.	13N26	Collet Body .040	9,20	5
13N27		Collet Body 1/16	24	5	
13N28		Collet Body 3/32	9,20	5	
24CB3/32		Collet Body 3/32	24	5	
13N29		Collet Body 1/8	24	5	
9.	45V41	Gas Lens .020	9,20	5	

Item	Part No.	Description	Torch	Std. Pkg.
	45V42	Gas Lens .040	9,20	5
	45V43	Gas Lens 1/16	9,20	5
	45V44	Gas Lens 3/32	9,20	5
	45V45	Gas Lens 1/8	9,20	5
10.	13N08	Alumina Cup #4	9,20	10
	13N09	Alumina Cup #5	9,20	10
	13N10	Alumina cup #6	9,20	10
	13N11	Alumina Cup #7	9,20	10
	13N12	Alumina Cup #8	9,20	10
	13N13	Alumina Cup #10	9,20	10
	10a.	13N14	Ceramic Cup #4	9,20
13N18		Ceramic Cup #8	9,20	10
53N27		Ceramic Cup #6	24	10
11.	14N65	Alumina Cup #4	9	10
	53N58	Alumina Cup #4	9,20,24,25	10
	53N59	Alumina Cup #5	9,20,24,25	10
	53N60	Alumina Cup #6	9,20,24,25	10
	53N61	Alumina Cup #7	9,20,24,25	10
	53N61S	Alumina Cup #8	9,20,24,25	10
12.	57N75	Alumina Cup #6	9,17,18,20	10
	57N74	Alumina Cup #8	9,17,18,20	10
	53N87	Alumina Cup #12	9,17,18,20	10
	53N88	Alumina Cup #10	9,17,18,20	10
	53N89	Alumina Cup, Short	9,17,18,20	10
13.	H-100R	Handle Ribbed	SR9,SR17	1
13a.	53N06R	Handle, Ribbed	HP9,HP20	1
14.	H-100	Handle, Smooth	SR9,SR17	1
14a.	53N06	Handle, Smooth	HP9,HP20	1
15.	57Y01R	Power Cable 12.5'	9V,17,17V	1
	57Y03R	Power Cable 25'	9V,17,17V	1
16.	57Y01-2	Power Cable 12.5' (2 piece)	9,17	1
	57Y03-2	Power Cable 25' (2 piece)	9,17	1
17.	105Z57	Power Cable Adapter	9,17	10
18.	53N04	Hose Clamp	24	10
19.	45V09	Gas Hose 12.5'	20,24W,25	1
	45V10	Gas Hose 25'	20,24W,25	1
	40V77	Gas Hose 12.5' Extension	18,20,25	1
	40V77L	Extension, 25' Gas Hose	18,20,25	1
	40V77LR	Argon Hose Extension 25'	18,20,25	1
20.	45V03	Power Cable 12.5'	20,24W,25	1
	45V04	Power Cable 25'	20,24W,25	1
	40V78L	Extended Power Cable 25'	18,20,25	1
21.	45V07	Water Hose 12.5'	20,24W,25	1
	45V08	Water Hose 25'	20,24W,25	1
	40V76	Water Hose Extension 12.5'	18,20,25	1
22.	45V11	Power Cable Adapter	18,20,24W	1
23.	VS-2	Valve Knob & Stem	9V,17V	5
NS	53N66	Gas Lens Insulator	24	5

THERMACUT®, FHT-EX® AND EX-TRAFIRE® ARE THE REGISTERED TRADEMARKS OF THERMACUT K.S. AND MAY BE REGISTERED IN THE CZECH REPUBLIC AND/OR OTHER COUNTRIES. ALL OTHER TRADEMARKS ARE PROPERTIES OF THEIR RESPECTIVE OWNERS. MOST THERMACUT PARTS ARE MADE FOR OR BY AN IGB COMPANY. VALID FROM OCTOBER 2017 • PREVIOUS VERSION IS NO LONGER VALID. THIS CATALOG IS VALID FOR USA CUSTOMERS ONLY. • © COPYRIGHT 2017 BY THERMACUT® CZECH REPUBLIC. ALL RIGHTS RESERVED.

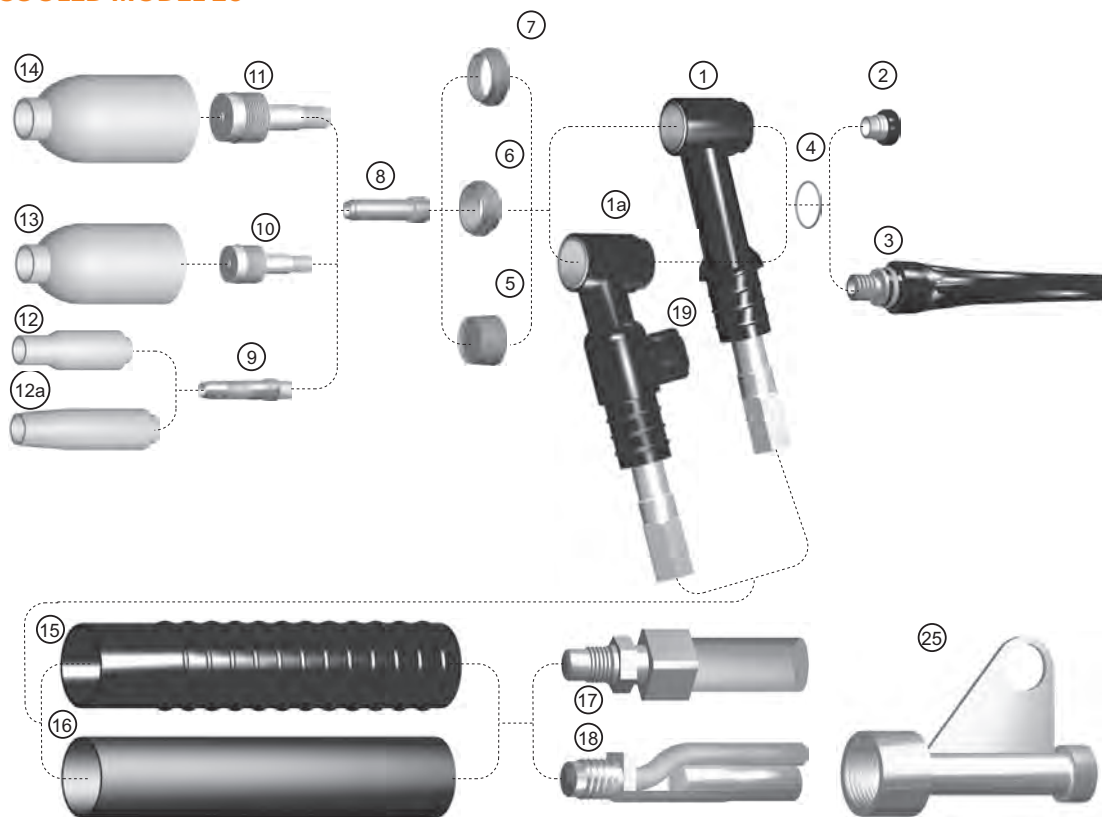


## REPLACEMENT PARTS SUITABLE FOR

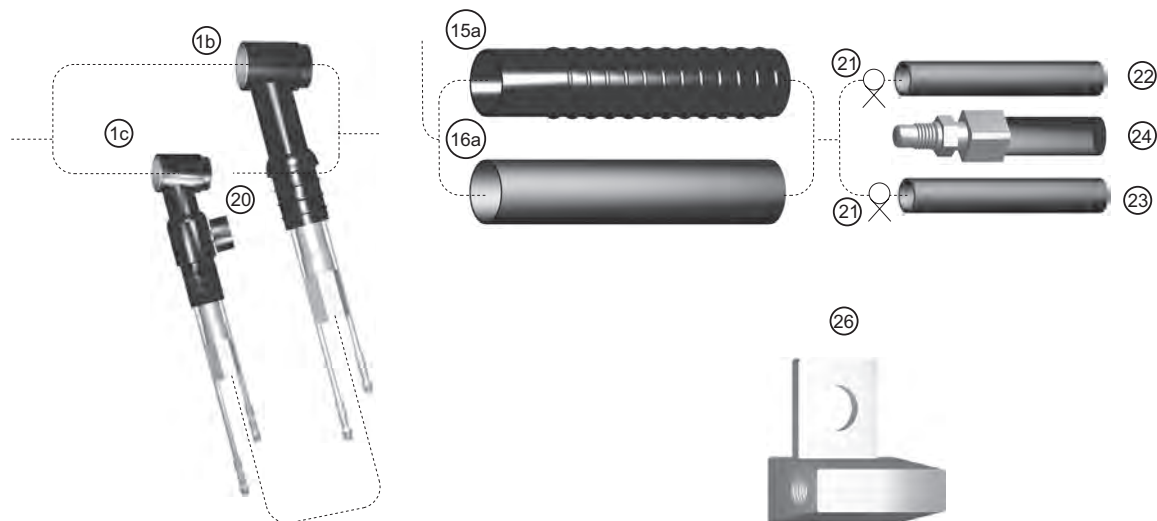
# TIG TORCHES 17, 18, 26

150 AMP AIR COOLED MODEL 17

200 AMP AIR COOLED MODEL 26



## 350 AMP WATER COOLED MODEL 18



THERMACUT®, FHT-EX® AND EX-TRAFIRE® ARE THE REGISTERED TRADEMARKS OF THERMACUT K.S. AND MAY BE REGISTERED IN THE CZECH REPUBLIC AND/OR OTHER COUNTRIES. ALL OTHER TRADEMARKS ARE PROPERTIES OF THEIR RESPECTIVE OWNERS. MOST THERMACUT PARTS ARE MADE FOR OR BY AN IBG COMPANY. VALID FROM OCTOBER 2017 • PREVIOUS VERSION IS NO LONGER VALID. THIS CATALOG IS VALID FOR USA CUSTOMERS ONLY. • © COPYRIGHT 2017 BY THERMACUT® CZECH REPUBLIC. ALL RIGHTS RESERVED.

## REPLACEMENT PARTS SUITABLE FOR

# TIG TORCHES 17, 18, 26

Item	Part No.	Description	Torch	Std. Pkg
1.	HP-17-12R	150A Torch Pkg., 12'	17	1
	HP-17-25R	150A Torch Pkg., 25'	17	1
	SR-17	150A Torch Body	17	1
	SR-17-12R	150A Torch Pkg., 12'	17	1
	SR-17-25-2	150A Torch Pkg., 25' 2pc Hose	17	1
	SR-17-25R	150A Torch Pkg., 25'	17	1
	SR-17F	150A Flexible Torch Body	17	1
	SR-17F-12R	150 A Torch Pkg. 12' Flex	17	1
	SR-17F-25R	150A Torch Pkg. 25' Flex	17	1
	HP-26	200A Torch Body	26	1
	HP-26V	200A Torch Body, with Valve	26	1
	SR-26	200A Torch Body	26	1
	SR-26-12R	200A Torch Pkg., 12'	26	1
	SR-26-25-2	200A Torch Pkg., 25' 2pc Hose	26	1
	SR-26-25R	200A Torch Pkg., 25'	26	1
	SR-26F-25R	200A Torch Pkg. 25' Flex	26	1
	SR-26F	200A Flexible Torch Body	26	1
1a.	HP-17V	150A Torch body with Valve	17	1
	HP-17V-12R	150A Torch Pkg, 12' with Valve	17	1
	HP-17V-25R	150A Torch Pkg, 25' with Valve	17	1
	SR-17FV-12-2	150A Torch Pkg. 12' 2pc Hose/Valve	17	1
	SR-17FV-12R	150A Torch Pkg. 12', with Valve	17	1
	SR-17FV-25-2	150A Torch Pkg. 25' 2pc Hose/Valve	17	1
	SR-17FV	150A Torch Body Flex with Valve	17	1
	SR-17FV-25R	150A Torch Flex, 25' with Valve	17	1
	SR-17V	150A Torch Body with Valve	17	1
	SR-17V-12-2	150A Torch Pkg, 12'	17	1
	SR-17V-12R	150A Torch Pkg, 12' with Valve	17	1
	SR-17V-25-2	150A Torch Pkg, 25' 2 pc Hose	17	1
	SR-17V-25R	150A Torch Pkg, 25' with Valve	17	1
	SR-26V	200A Torch Body with Valve	26	1
	SR-26V-12R	200A Torch Pkg, 12' with Valve	26	1
	SR-26V-12-2	200A Torch Pkg., with Valve	26	1
	SR-26-12-2	200A Torch Pkg., 20c Cable	26	1
	SR-26V-25R	200A Torch Pkg, 25' with Valve	26	1
	SR-26FV	200A Torch Body, Flex with Valve	26	1
	SR-26FV-25R	200A Torch Pkg, 25' with Valve	26	1
	SR-26FV-25-2	200A Torch Pkg., 25', with Valve	26	1
1b.	HP-18-12	350A Torch Pkg, 12'	18	1
	HP-18-25	350A Torch Pkg, 25'	18	1
	HP-18	350A Torch Body	18	1
	SR-18	350A Torch Body	18	1
	SR-18-12	350A Torch Pkg, 12'	18	1
	SR-18-25	350A Torch Pkg, 25'	18	1
1c.	SR-18V	350A Torch Body with Valve	18	1

Item	Part No.	Description	Torch	Std. Pkg.
	SR-18V-12	350A Torch Pkg, with Valve, 12'	18	1
	SR-18V-25	350A Torch Pkg, with Valve, 25'	18	1
	SR-18-25R	350A Torch Pkg. 25'	18	1
	SR-18F-25R	350A W/Cooled Flex Torch 25'	18	1
2-3.		Back Caps	17,18,26	5
4.		O-Ring	17,18,26	10
5.		Cup Gasket	17,18,26	5
6-7.		Gas Lens Insulators	17,18,26	5
8.		Collets	17,18,26	5
9.		Collet Bodies	17,18,26	5
10-11.		Gas Lenses	17,18,26	5
12-14.		Alumina & Ceramic Cups	17,18,26	5
15.	H-100R	Handle, Ribbed	SR9,SR17	1
	105Z55R	Handle, Ribbed	HP17	1
15a.	H-200R	Handle, Ribbed	SR18,SR26	1
	10N15R	Handle, Ribbed	SR18,SR26	1
16.	H-100	Handle, Smooth	SR9,SR17	1
	105Z55	Handle, Smooth	HP17	1
16a.	10N15	Handle, Smooth	SR18,SR26	1
	54N84R	Handle, Ribbed	HP26	1
17.	57Y01R	Power Cable, 12.5'	9V,17,17V	1
	57Y03R	Power Cable, 25'	9V,17,17V	1
18.	57Y01-2	Power Cable, 12.5' (2 pc)	9,17	1
	57Y03-2	Power Cable, 25' (2 pc)	9,17	5
19.	VS-2	Valve Knob & Stem	9V,17V	5
20.	VS-1	Valve Knob & Stem	26V	10
21.	53N04	Hose Clamp	24	1
22.	40V74	Water Hose, 12.5'	18	1
	40V76	Water Hose Ext., 12.5'	18,20,25	1
	41V32	Water Hose, 25'	18	1
23.	41V30	Gas Hose, 25'	18	1
	41V30R	Gas Hose, 25' Rubber	18	1
	40V75R	Gas Hose 12.5' Rubber	18	1
	45V10R	Gas Hose 25', Rubber	17	1
24.	46V30-2	Pwr Cable&Gas Hose (2pc)	26	1
	40V64	Power Cable 12.5'	18	1
	41V29	Power Cable 25'	18	1
	41V29R	Power Cable 25'	18	1
	46V28R	Power Cable, 12.5'	26	1
	46V30R	Power Cable, 25'	26	1
25.	45V62	Power Cable Adapter	26	1
	45V11	Power Cable Adapter	18,20,24W	1
NS	18CG20	Stubby Cup Gasket	17,18,26	5
NS	18-7	Insert	17,18,26	5

THERMACUT®, FHT-EX® AND EX-TAFIRE® ARE THE REGISTERED TRADEMARKS OF THERMACUT K.S. AND MAY BE REGISTERED IN THE CZECH REPUBLIC AND/OR OTHER COUNTRIES. ALL OTHER TRADEMARKS ARE PROPERTIES OF THEIR RESPECTIVE OWNERS. MOST THERMACUT PARTS ARE MADE FOR OR BY AN IBG COMPANY. VALID FROM OCTOBER 2017 • PREVIOUS VERSION IS NO LONGER VALID. THIS CATALOG IS VALID FOR USA CUSTOMERS ONLY. • © COPYRIGHT 2017 BY THERMACUT® CZECH REPUBLIC. ALL RIGHTS RESERVED.

## REPLACEMENT PARTS SUITABLE FOR

# TIG TORCHES

### BACK CAPS

Part No	Description	Torches
57Y02	Long Back Cap	17,18,26
57Y04	Short Back Cap	17,18,26

Part No	Description	Torches
41V33	Short Back Cup	9,20
41V35	Medium Back Cup	9,20
41V24	Long Back Cap	9,20



### INSULATORS

Part No	Description	Torches
54N01	Gas Lens Insulator	17,18,26

Part No	Description	Torches
54N63	Large Diameter Gas Lens Insulator	17,19,26

Part No	Description	Torches
598882	Cup Gasket	9,20,25

Part No	Description	Torches
18CG	Cup Gasket	17,18,26

Part No	Description	Torches
18-7	Insert	17,18,26



### CABLE COVERS

Part No	Description	Std. Pkg.
310	Zytol cable cover, 3 x 10'	1
310V	Vytol cable cover, 3 x 10'	1
323	Zytol cable cover, 3 x 23'	1
323V	Vytol cable cover, 3 x 23'	1
410	Zytol cable cover, 4 x 10'	1
420	Zytol cable cover, 4 x 20'	1



THERMACUT®, FHT-EX® AND EX-TRAFIRE® ARE THE REGISTERED TRADEMARKS OF THERMACUT K.S. AND MAY BE REGISTERED IN THE CZECH REPUBLIC AND/OR OTHER COUNTRIES. ALL OTHER TRADEMARKS ARE PROPERTIES OF THEIR RESPECTIVE OWNERS. MOST THERMACUT PARTS ARE MADE FOR OR BY AN IBG COMPANY. VALID FROM OCTOBER 2017 • PREVIOUS VERSION IS NO LONGER VALID. THIS CATALOG IS VALID FOR USA CUSTOMERS ONLY. • © COPYRIGHT 2017 BY THERMACUT® CZECH REPUBLIC. ALL RIGHTS RESERVED.

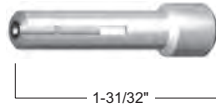
# REPLACEMENT PARTS SUITABLE FOR

## TIG TORCHES

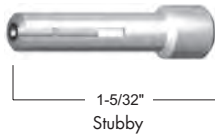
### COLLETS

Qty per pkg: 5

Size	Part No.	Torch
.020	10N21	17,18,26
.040	10N22	17,18,26
1/16	10N23	17,18,26
3/32	10N24	17,18,26
1/8	10N25	17,18,26
5/32	54N20	17,18,26



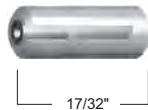
Size	Part No.	Torch
3/32	10N24S	17,18,26
1/8	10N25S	17,18,26



Size	Part No.	Torch
.040	13N21	9,20,25
1/16	13N22	9,20,25
3/32	13N23	9,20,25
1/8	13N24	9,20,25



Size	Part No.	Torch
.040	53N16	24,24W
1/16	53N14	24,24W
3/32	24C332	24,24W



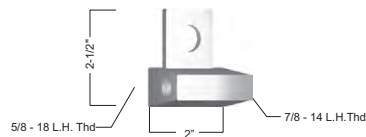
Size	Part No.	Torch
1/16	53N64	24,24W



### POWER CABLE ADAPTERS

Qty per pkg: 5

Part No.	Torch
45V11	18,20



Part No.	Torch
105257	17/9



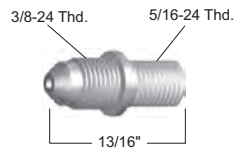
### COLLET BODIES

Qty per pkg: 5

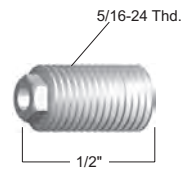
Size	Part No.	Torch
.020	10N29	17,18,26
.040	10N30	17,18,26
1/16	10N31	17,18,26
3/32	10N32	17,18,26
1/8	10N28	17,18,26
5/32	406488	17,18,26



Size	Part No.	Torch
.020	13N25	9,20,25
.040	13N26	9,20,25
1/16	13N27	9,20,25
3/32	13N28	9,20,25
1/8	13N29	9,20,25



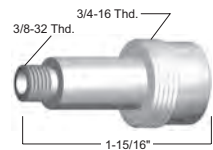
Size	Part No.	Torch
1/16	53N19	24,24W
3/32	24CB332	24,24W



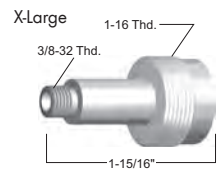
### GAS LENSES

Qty per pkg: 5

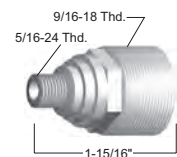
Size	Part No.	Torch
.020	45V29	17,18,26
1/16	45V25	17,18,26
3/32	45V26	17,18,26
1/8	45V27	17,18,26
5/32	45V28	17,18,26



Size	Part No.	Torch
3/32	45V64	17,18,26
1/8	995795	17,18,26



Size	Part No.	Torch
.040	45V42	9,20,24,25
1/16	45V43	9,20,24,25
3/32	45V44	9,20,24,25
1/8	45V45	9,20,24,25



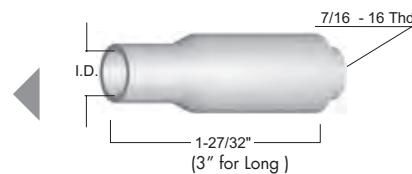
THERMACUT®, FHT-EX® AND EX-TRAFIRE® ARE THE REGISTERED TRADEMARKS OF THERMACUT K.S. AND MAY BE REGISTERED IN THE CZECH REPUBLIC AND/OR OTHER COUNTRIES. ALL OTHER TRADEMARKS ARE PROPERTIES OF THEIR RESPECTIVE OWNERS. MOST THERMACUT PARTS ARE MADE FOR OR BY AN IBG COMPANY. VALID FROM OCTOBER 2017 • PREVIOUS VERSION IS NO LONGER VALID. THIS CATALOG IS VALID FOR USA CUSTOMERS ONLY. • © COPYRIGHT 2017 BY THERMACUT® CZECH REPUBLIC. ALL RIGHTS RESERVED.

# REPLACEMENT PARTS SUITABLE FOR

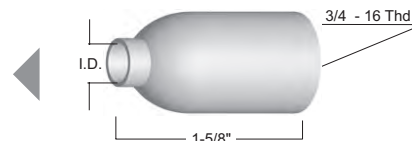
## TIG TORCHES

ALUMINA CUPS Qty per package: 10

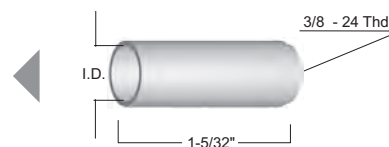
Part No	I.D.	Size	Torches
10N50	1/4"	4	17,18,26
10N49	5/16"	5	17,18,26
10N48	3/8"	6	17,18,26
10N47	7/16"	7	17,18,26
10N46	1/2"	8	17,18,26
10N45	5/8"	10	17,18,26
10N44	3/4"	12	17,18,26



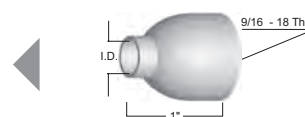
54N18	1/4"	4	17,18,26
54N17	5/16"	5	17,18,26
54N16	3/8"	6	17,18,26
54N15	7/16"	7	17,18,26
54N14	1/2"	8	17,18,26



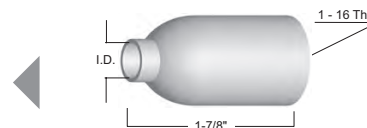
13N08	1/4"	4	9, 20, 25
13N09	5/16"	5	9, 20, 25
13N10	3/8"	6	9, 20, 25
13N11	7/16"	7	9, 20, 25
13N12	1/2"	8	9, 20, 25
13N13	5/8"	10	9, 20, 25



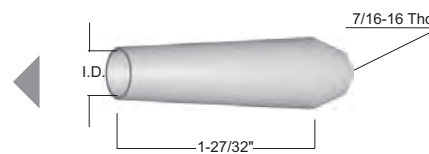
53N58	1/4"	4	9, 20, 24
53N59	5/16"	5	9, 20, 24
53N60	3/8"	6	9, 20, 24
53N61	7/16"	7	9, 20, 24



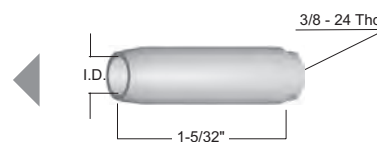
57N75	3/8"	6	17, 18, 26
57N74	1/2"	8	17, 18, 26
53N88	5/8"	10	17, 18, 26
53N87	3/4"	12	17, 18, 26
53N89	15/16"	Short	17, 18, 26



105Z42	5/16"	5	17, 18, 26
105Z43	1/4"	4	17, 18, 26
105Z44	3/8"	6	17, 18, 26
105Z45	7/16"	7	17, 18, 26
08N78	1/2"	8	17, 18, 26
08N79	5/8"	10	17, 18, 26
08N80	3/4"	12	17, 18, 26



13N14	1/4"	4	9, 20, 25
13N15	5/16"	5	9, 20, 25
13N16	3/8"	6	9, 20, 25
13N17	7/16"	7	9, 20, 25
13N17	1/2"	8	9, 20, 25
13N19	5/8"	10	9, 20, 25



THERMACUT®, FHT-EX® AND EX-TRAFIRE® ARE THE REGISTERED TRADEMARKS OF THERMACUT K.S. AND MAY BE REGISTERED IN THE CZECH REPUBLIC AND/OR OTHER COUNTRIES. ALL OTHER TRADEMARKS ARE PROPERTIES OF THEIR RESPECTIVE OWNERS. MOST THERMACUT PARTS ARE MADE FOR OR BY AN IBG COMPANY. VALID FROM OCTOBER 2017 • PREVIOUS VERSION IS NO LONGER VALID. THIS CATALOG IS VALID FOR USA CUSTOMERS ONLY. • © COPYRIGHT 2017 BY THERMACUT® CZECH REPUBLIC. ALL RIGHTS RESERVED.





[WWW.THERMACUT.COM](http://WWW.THERMACUT.COM)



**THERMACUT<sup>®</sup>**  
THE CUTTING COMPANY<sup>®</sup>