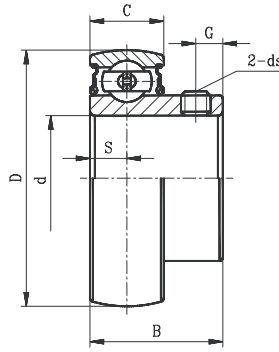
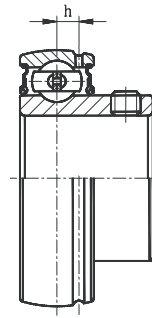


BALL BEARING INSERTS

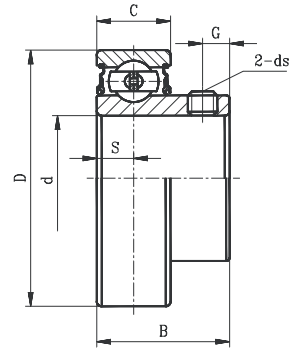
SB LIGHT DUTY SET SCREW LOCKING TYPE
CSB LIGHT DUTY CYLINDRICAL O.D. TYPE



SB



SB
(WITH G SUFFIX)



CSB

- Narrow inner ring bearing
- Lubrication groove with hole on set screw side and additional oil hole on opposite side (G suffix).

Bearing No.	Shaft Dia. d		Dimension (in) (mm)							Basic load rating (lbs)		Weight (lb)						
	(in.)	(mm)	D	B	C	S	h	G	ds	Dynamic	Static							
SB201G		12																
201-8G	1/2	15	1.5748	0.8661	0.4724	0.2362	0.1417	0.1575	10#-32UNF M5X0.8	2150	1070	0.22						
202G	5/8	17	40	22	12	6	3.6	4										
202-10G																		
203G	11/16																	
203-11G																		
SB204-12G	3/4	20	1.8504	0.9843	0.5512	0.2756	0.1575	0.1969	1/4-28UNF M6X1	2900	1500	0.31						
204G			47	25	14	7	4	5										
SB205-14G	7/8																	
205-15G	15/16	25	2.0472	1.0630	0.5906	0.2953	0.1693	0.2165	1/4-28UNF M6X1	3150	1770	0.37						
205G			52	27	15	7.5	4.3	5.5										
205-16G	1																	
SB206-18G	1-1/8																	
206G		30	2.4409	1.1811	0.6299	0.3150	0.1969	0.2362	1/4-28UNF M6X1	4400	2500	0.57						
206-19G	1-3/16		62	30	16	8	5	6										
206-20G	1-1/4																	
SB207-20G	1-1/4																	
207-21G	1-5/16		2.8346	1.2598	0.6693	0.3346	0.2244	0.2559	1/4-28UNF M6X1	5800	3400	0.86						
207-22G	1-3/8												72	32	17	8.5	5.7	6.5
207G		35																
207-23G	1-7/16																	
SB208-24G	1-1/2																	
208-25G	1-9/16	40	3.1496	1.3386	0.7087	0.3543	0.2441	0.2756	5/16-24UNF M8X1	6660	4100	1.19						
208G			80	34	18	9	6.2	7										
SB209-26G	1-5/8																	
209-27G	1-11/16		3.3465	1.6220	0.7480	0.4016	0.2559	0.3228	5/16-24UNF M8X1	7160	4700	1.5						
209-28G	1-3/4		85	41.2	19	10.2	6.5	8.2										
209G		45																
SB210-30G	1-7/8																	
210-31G	1-15/16		3.5433	1.7126	0.7874	0.4291	0.2559	0.3622	5/16-24UNF M8X1	7900	5200	1.76						
210G		50	90	43.5	20	10.9	6.5	9.2										
SB211-32G	2																	
211-34G	2-1/8		3.9370	1.7835	0.9055	0.4646	0.2835	0.3858	5/16-24UNF M8X1	9800	6600	2.2						
211G		55											100	45.3	23	11.8	7.2	9.8
211-35G	2-3/16																	
SB212-36G	2-1/4																	
212G		60	4.3307	2.1142	0.9449	0.5866	0.3150	0.3858	3/8-24UNF M10X1.25	10770	7400	2.86						
212-39G	2-7/16		110	53.7	24	14.9	8	9.8										

* Full cover metal shroud seal standard. Full contact rubber seal (2RS suffix) optional. Also available in free spinning design and/or with black oxide finish. Non-relubricatable units also available (remove G suffix). Contact factory.

