



**Actek® Manufacturing & Engineering**

1110 Fullerton Road  
City of Industry, CA 91748

**Toll Free:** 800-752-7229

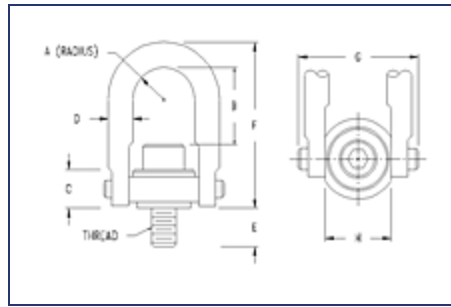
**Phone:** 626-581-3424

**Fax:** 626-581-3423

**Email:** [sales@actekmfg.com](mailto:sales@actekmfg.com)

**Website:** [www.actekmfg.com](http://www.actekmfg.com)

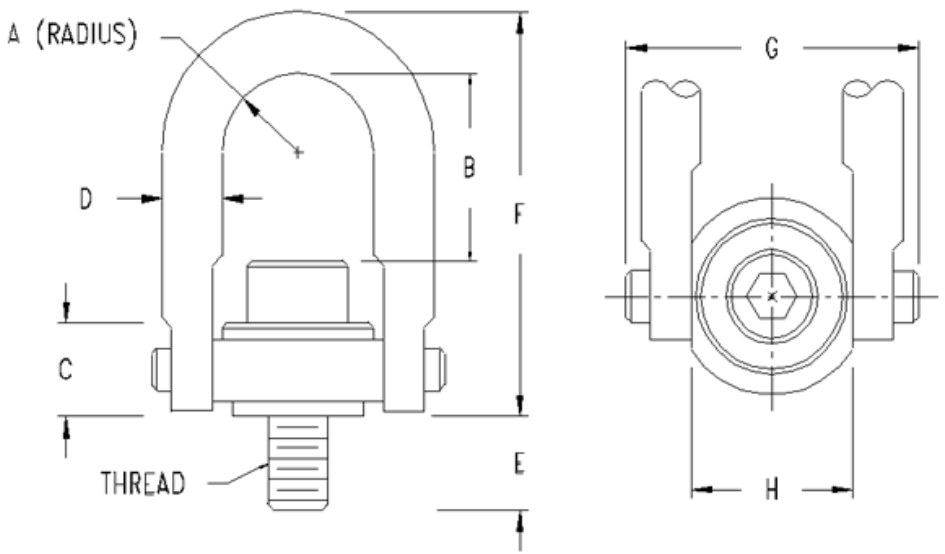
## Item # 46212, Safety Swivel Hoist Ring



[Specifications](#) | [Features](#)

### SPECIFICATIONS

## Dimension Drawing



Safety Swivel Hoist Ring

<b>U-Bar (D)</b>	1
<b>Rated Load</b>	10,000 lbs
<b>Thread Size</b>	1" - 8
<b>Thread Protrusion (E)</b>	1.54 in
<b>Bushing Head Diameter</b>	2.20 in
<b>B</b>	2.81 in
<b>A</b>	1.4 in
<b>C</b>	1.71 in
<b>F</b>	6.52 in
<b>G</b>	5.14 in
<b>H</b>	3 in
<b>Torque</b>	230 ft-lbs
<b>Type</b>	Standard U-Bar
<b>Material</b>	Aircraft Quality Alloy

<b>Swivels Angle</b>	360 °
<b>Pivots Angle</b>	180 °
<b>Safety Factor</b>	5:1
<b>Finish</b>	Black Oxide per MIL Specification (Cadmium Plated Available)
<b>Applicable Screw P/N</b>	46252
<b>Actek Manufacturer Number</b>	AK46212
<b>Product</b>	Safety Swivel Hoist Ring
<b>Weight</b>	7.5 lbs

## FEATURES

- Swivels 360° - Pivots 180°
- Material : Aircraft Quality Alloy
- Finish : Black Oxide per MIL Specification (Cadmium Plated Available)
- Safety Factor : 5:1
- Magnetic Particle Inspected
- Certified Heat Treatment
- Meets or Exceeds ASME B30.26
- Conforms to CE