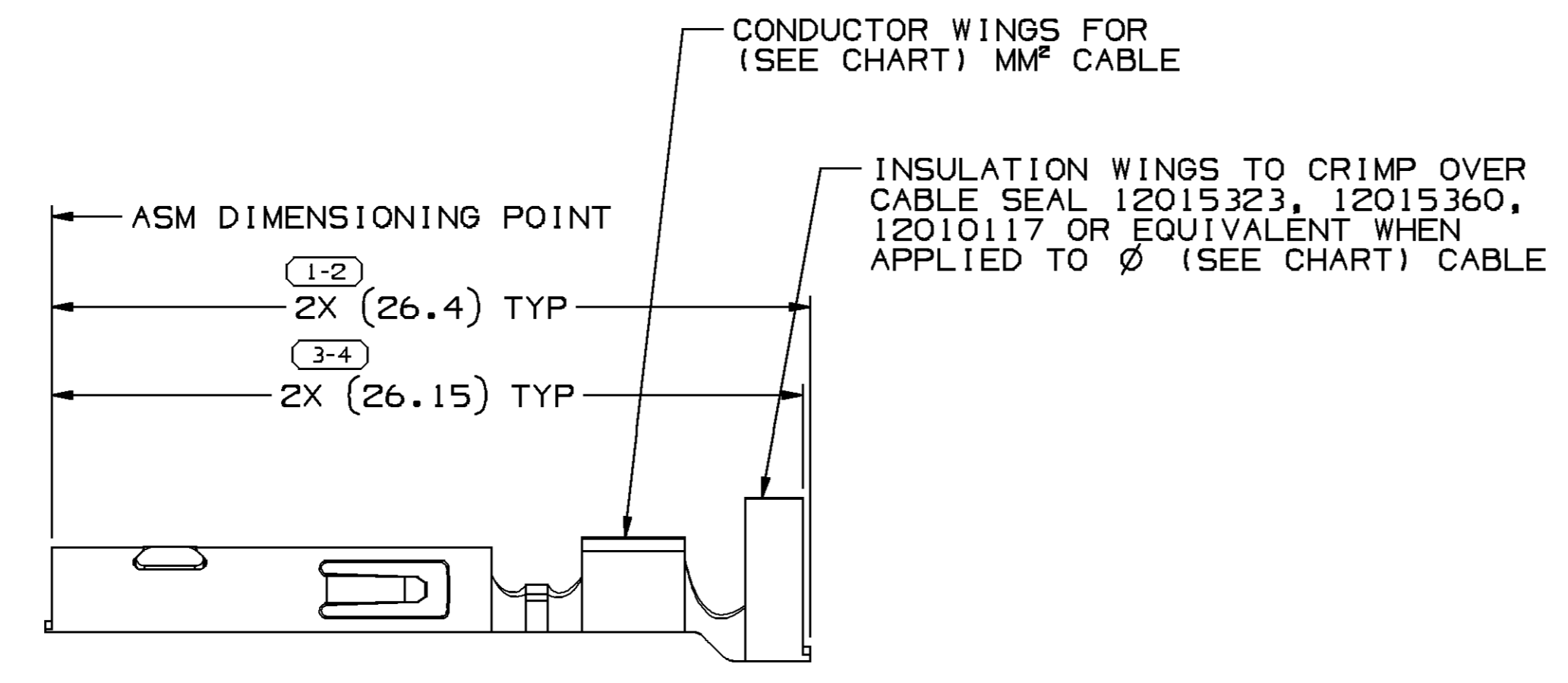
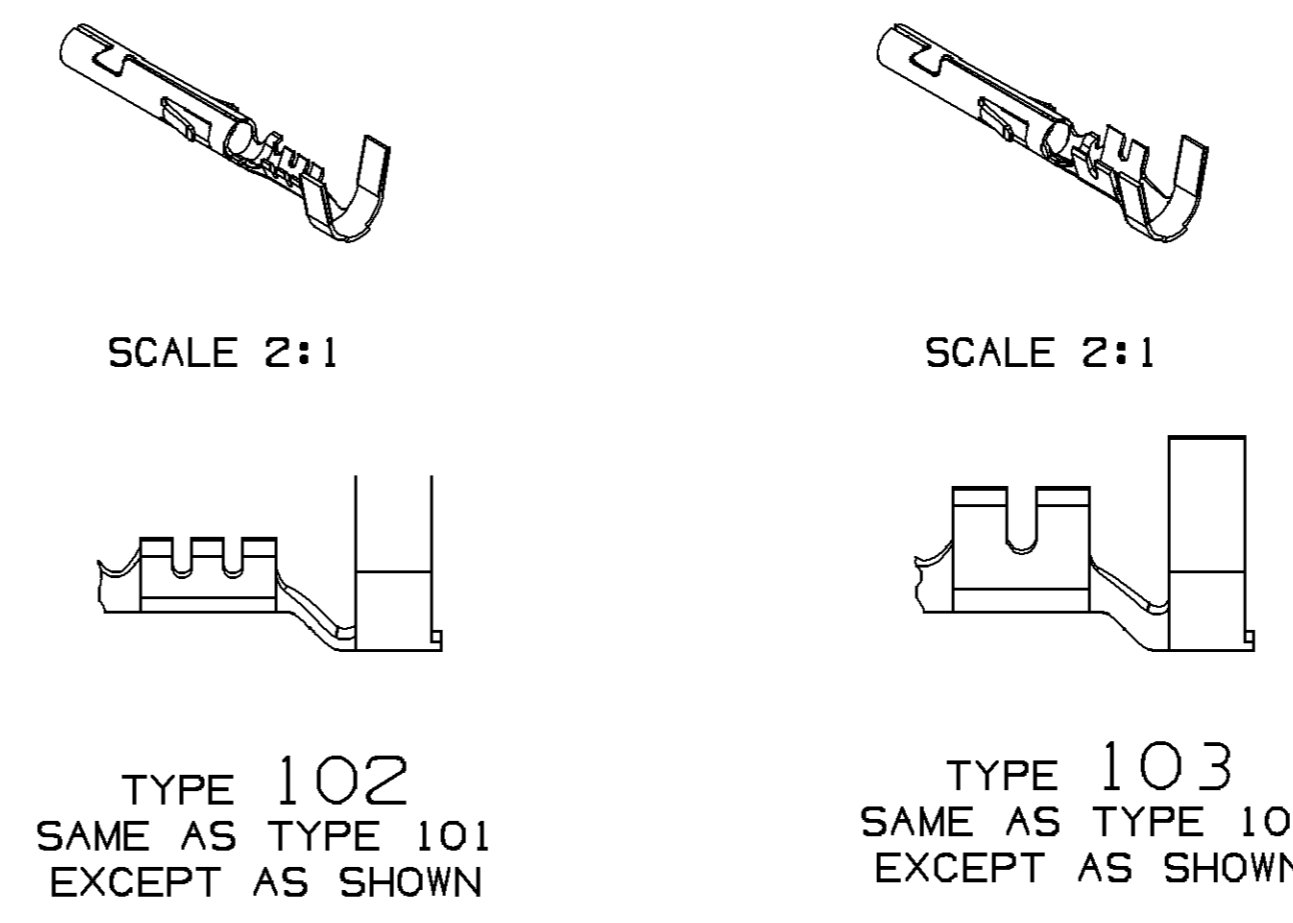
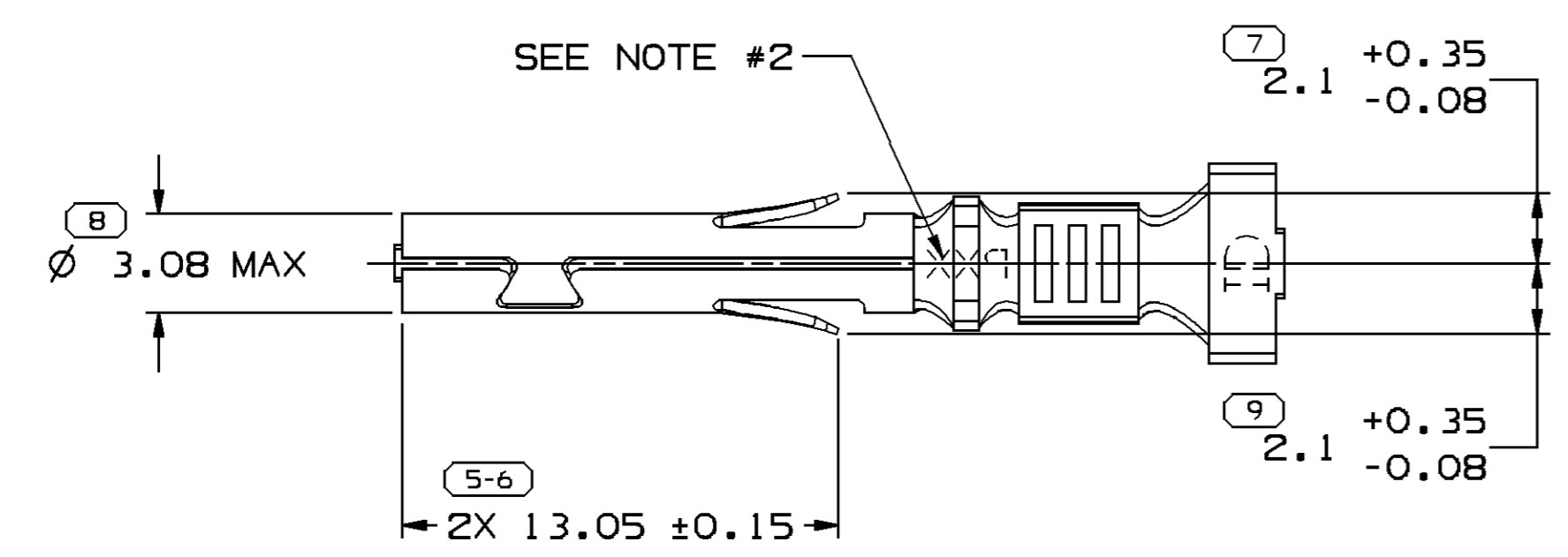


SYMBOL DEFINITION		MISSING NUMBERS	
A DIMENSION WITHOUT AN INSPECTION REPORT SYMBOL DOES NOT REQUIRE INSPECTION. IT MAY BE CONTROLLED ON AN INDIVIDUAL COMPONENT DRAWING.	TOTAL NO. OF SYMBOLS ON DRAWING	7	
	LAST NO. USED	10	

DWG STATUS				ZONE	REVISION HISTORY			AUTH	DR	APVD1	APVD2	
DATE	STG	REV	N/P		CHG							
08AP99	R	01	-	-		ALL PARTS - WERE SEPARATE "B" SIZE DWG AND REVISED			188844	PHC	AUG	OG
08NO01	R	02	-	-		12089188 - UPDATED PDM ATTRIBUTES			215045	MRL	MRL	DLB
18AU03	R	03	-	-		12020801, 12089188 & 12124580 - REVISED GRAPHICS			244852	ECB	AUG	JMP
23JA07	R	04	-	-		ALL ACTIVE PARTS - UPDATED PDM ATTRIBUTES			400088	JBD	AUG	EJH



TYPE 101

NOTES

- UNLESS OTHERWISE SPECIFIED AND/OR INDICATED: DIMENSIONS ARE TO FACE OF VIEW SHOWN AND AUTOMATICALLY ROUNDED BY COMPUTER FOR INSPECTION. (SEE MATH MODEL FOR PRECISE DIMENSIONS.) FOR ALL OTHER DIMENSIONS NOT SHOWN BUT REQUIRED FOR TOOL BUILD, SEE MATH MODEL FOR PRECISE TOOL PATH DATA.
- "PXX" INDICATES "P" PLUS LAST TWO DIGITS OF MAKE DIE SERIES NUMBER (P01, P02, P03, ETC.).
- TERMINAL DESIGNED FOR 3 MM² CABLE. TERMINAL IS RATED AT 20 AMPERES. -DO NOT EXCEED RATED CURRENT.

APPLICATION NOTE:
THESE TERMINALS DESIGNED FOR USE IN WEATHER PACK TOWER CONNECTORS WITH STABILIZERS LOCATED AT 11.25MM FROM THE LOCK SHOULDER.

PART NO	STG	REV	N/P	STATUS	MAT'L SIZE	MAT'L SPEC	CABLE SIZE (MM²)	MAX CABLE Ø	ID TYPE	E.o.s.
12124581	R	B2	-		0.32X35.33	P1519358 425 TIN BRS EX HD SN PLTD	SEE NOTE #3	3.96	11 103	4.6
12124580	R	02	AC		0.32X35.33	P1519358 425 TIN BRS EX HD SN PLTD	2 - 1	3.96	15 103	3.6
12089188	R	A3	-		0.32X35.33	P1519358 425 TIN BRS EX HD SN PLTD	0.8 - 0.5	3.11	19 102	3
12034051	R	B7	-	OBSOLETE	0.32X35.33	P1519358 425 TIN BRS EX HD SN PLTD	0.8 - 0.5	3.11	19 102	3
12020801	R	C5	-		0.32X35.33	P1519358 425 TIN BRS EX HD SN PLTD	0.35	1.86	22 102	2.2
12015917	R	G1	-	OBSOLETE	0.32X35.33	P1519358 425 TIN BRS EX HD SN PLTD	SEE NOTE #3	3.96	11 101	4.6
12010183	R	P8	-	OBSOLETE	0.32X35.33	P1519358 425 TIN BRS EX HD SN PLTD	0.8 - 0.5	3.11	19 101	3
12010182	R	P8	-	OBSOLETE	0.32X35.33	P1519358 425 TIN BRS EX HD SN PLTD	2 - 1	3.96	15 101	3.6

PROCESS SENSITIVE DIMENSION	
DIMENSIONS ENCLOSED IN () INDICATE REFERENCE DIMENSIONS AND NO TOLERANCE LIMITS ARE ESTABLISHED	
DIMENSIONAL RANGE (MM)	CHART D
FROM 0	> 12
TO 12	
TOLERANCE UNLESS OTHERWISE SPECIFIED	
±0.1	±0.2
ANGULAR TOLERANCE ±2°	

DWG TYPE PART DRAWING	
STYLE	
VOLUME (CM³)	DISTR CODE D
UNLESS OTHERWISE SPECIFIED	
THIS DOCUMENT IS IN ACCORDANCE WITH ASME Y14.5M-1994 AS AMENDED BY THE 94 GLOBAL DIMENSIONING AND TOLERANCING ADDENDUM-2001. SEPARATE PATTERNS OF FEATURES MAY BE GAGED SEPARATELY REGARDLESS OF DATUM REFERENCES.	
ALL DIMENSIONS ARE IN MILLIMETERS	
THIRD ANGLE PROJECTION	DO NOT SCALE USE MATH DATA

DELPHI
DELPHI PACKARD ELECTRIC SYSTEMS
WARREN, OH

DR	DATE
APVD1 P H CASTRILLON	08AP99
APVD2 A UGALDE G	15AP99
APVD3 G ORANTES	15AP99
APVD4	
APVD5	
SUBSTANCES OF CONCERN AND RECYCLED CONTENT PER DELPHI 10945001	
MATERIAL - SEE CHART	
DRAWING NAME TAXI TERM F W/P SEALED	
DRAWING NUMBER 12010184	
SIZE A1	SCALE 5:1
FRAME NO 1 OF 1	SHEET NO 1 OF 3
STG R	REV 04
N/P -	