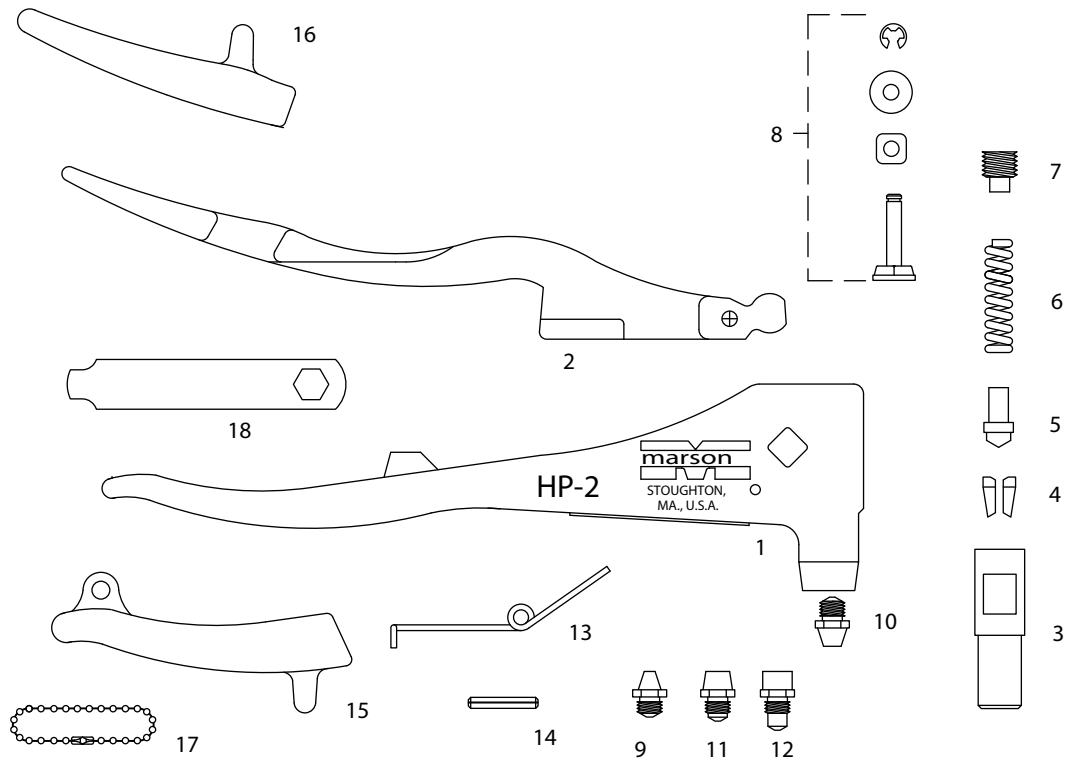


HP-2®/39000



REF.	PART No.	DESCRIPTION
1	39120	BODY
2	39121	HANDEL
3	39122	COLLET CASE
4	39123	JAWS (2 PIECES)
5	39124	JAW PUSHER
6	39125	JAW PUSHER SPRING
7	39126	RETAINING SCREW
8	39127	FULCRUM PIN ASSEMBLY
9	39131	NOSEPIECE FOR 3/32" RIVETS
10	39128	NOSEPIECE FOR 1/8" RIVETS
11	39130	NOSEPIECE FOR 5/32" RIVETS
12	39129	NOSEPIECE FOR 3/16" RIVETS
13	39132	TORSION SPRING
14	39133	TORSION SPRING RETAINING PIN
15	39134	BODY GRIP
16	39135	HANDEL GRIP
17	39136	LOCKING CHAIN
18	39137	NOSEPIECE WRENCH

CAUTION: TO PREVENT POSSIBLE INJURY, TOOL MUST BE CLEAR OF ALL SNAPPED MANDRELS BEFORE SETTING NEXT RIVET.
ALWAYS WEAR SAFETY GOGGLES.