

Eklind®



Eklind®

E-PRODUCT CATALOG ♦ **JANUARY 1, 2017**



America's Leading Manufacturer of High Quality Hex Keys since 1950



WHEN YOU NEED:	MAY WE SUGGEST:	SEE PAGES:
New Product		A1-A2
The highest quality, industrial grade Hex and Torx® Key Products.	All Eklind Brand products will meet your requirements.	ALL
Convenient access to the keys you use most and to avoid losing individual keys.	Fold-Up Sets	6-9
A comfortable handle that won't slip out of your hand without sacrificing strength.	Ergo-Fold™ Sets	6-7
The smallest handle available that will fit conveniently in your pocket.	Classic Fold-Up Sets	8-9
Extra torque and/or extra reach.	T-Key Sets or Individuals	20-23, 30-31
A handle that offers extra torque and reduces the risk of hands slipping.	Power-T™ Sets or Individuals	20-21, 30
Tools that are compact and fit readily in your toolbox.	Cushion or Standard Grip T-Key Sets or Individuals	22-23, 31
A tool that turns effortlessly in your hand.	Screwdriver Sets or Individuals	19-31
General purpose Hex and Torx® Tools that you can use in a wide variety of applications.	L-Key Sets or Individuals	10-17, 24-29
A holder that will keep your keys in the right place, and fits comfortably in your toolbox.	L-Key Sets with Molded Holders	10-13
A container that will provide maximum protection for your tools.	L-Key Sets with Metal Box	14-15
Tools that will help you to obtain access to hard to reach fasteners.	Ball-End Tools	4-11, 14-21, 24-25, 29-30, 32-33
A complete assortment of keys, preparing for any project that you may encounter.	Combo Sets	4-5
Quick access to all of your Hex and Torx® Tools so that they are conveniently located on your work bench.	Sets with Stands	19-23, 33
Tools that offer precise control, a large, comfortable handle and a soft ergonomic grip.	PSD™ Precision Screwdriver Sets or Individuals	18-32





Page	Contents	TORX®			HEX		
		Ball / Torx®	Tamper Resistant	Standard Torx®	Ball Hex	Tamper Resistant	Standard Hex
2	User's Guide to Hex and Torx® Tools						
4 - 5	Combination Sets			★	⬡		⬡
6 - 7	Ergo-Fold™ Keys Sets		★	★	⬡		⬡
8 - 9	Classic Fold-Up Sets			★	⬡		⬡
10 -11	Ball-Hex-L™ Key Sets in Molded Holders	★			⬡		
12 -13	Hex-L® Key Sets in Molded Holders		★	★			⬡
14 -15	Hex-L® Keys in Metal Boxes			★	⬡		⬡
16 -17	Hex-L® Keys in Vinyl Pouches	★	★	★		⬡	⬡
18	PSD™ Precision Screwdriver Sets			★	⬡		⬡
19	Ball-Hex Drivers™				⬡		
20 - 21	Power-T™ Key Sets			★	⬡		⬡
22 - 23	Cushion & Standard Grip T-Key Sets						⬡
24 - 25	Individual Ball-Hex-L™ Keys	★			⬡		
26, 27, 28	Individual Hex-L® Keys					⬡	⬡
29	Individual Torx® L-Keys		★	★			
30	Individual Power-T™ Keys			★	⬡		⬡
31	Individual Cushion & Standard Grip T-Keys						
32	Individual PSD™ Precision Screwdrivers			★	⬡		⬡
33	Individual Ball-Hex Drivers™				⬡		
34 - 35	Replacemet Fold-Up Keys			★	⬡		⬡
35	L-Key Holders & Metal Boxes	★	★	★	⬡		⬡



TORX® tools drive all TORX®, TORX PLUS® and "star" fasteners. TORX® and TORX PLUS® are registered trademarks of Acument Intellectual Properties, LLC.

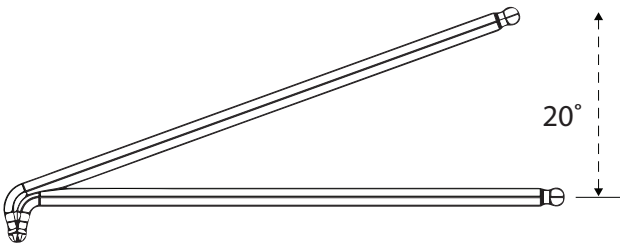


DOUBLE-BALL-HEX-L KEY™

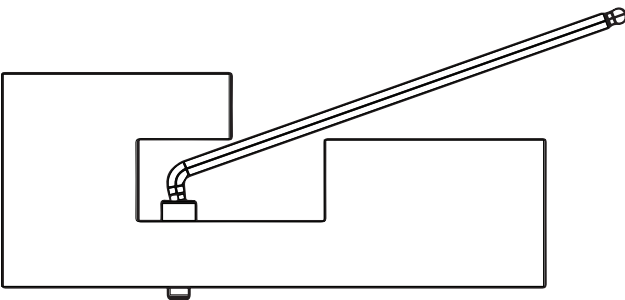
ITEM NO.	NO. of KEYS	17213	17609
17222	22		

ITEM NO.	SERIES	NO. of KEYS	KEY SIZES											
			.050	1/16	5/64	3/32	7/64	1/8	9/64	5/32	3/16	7/32	1/4	5/16
17213	X-Long	13	[Red line indicating sizes 1/16 through 3/8]											

ITEM NO.	SERIES	NO. of KEYS	KEY SIZES							
			1.5	2.0	2.5	3.0	4.0	5.0	6.0	8.0
17609	x-Long	9	[Blue line indicating sizes 1.5 through 10.0]							



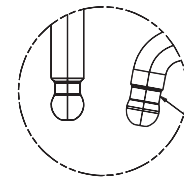
The full range of motion is 20 degrees



- ◆ **Thicker ball tip** on short arm for more torque
- ◆ **100° angle** for easier entry
- ◆ **20° range** of motion
- ◆ **Safely** access areas that are hard to reach

ITEM NO.	DIMENSIONS		
	TIP SIZE	LONG ARM (INCH)	SHORT ARM (INCH)
DOUBLE BALL END HEX KEYS - INCH SIZES			
19203	.050	3.10	.25
19204	1/16	3.50	.27
19205	5/64	3.90	.29
19206	3/32	4.15	.30
19207	7/64	4.41	.31
19208	1/8	4.75	.33
19209	9/64	5.11	.34
19210	5/32	5.46	.37
19212	3/16	6.15	.41
19214	7/32	6.48	.49
19216	1/4	6.81	.48
19220	5/16	7.55	.62
19224	3/8	8.50	.77

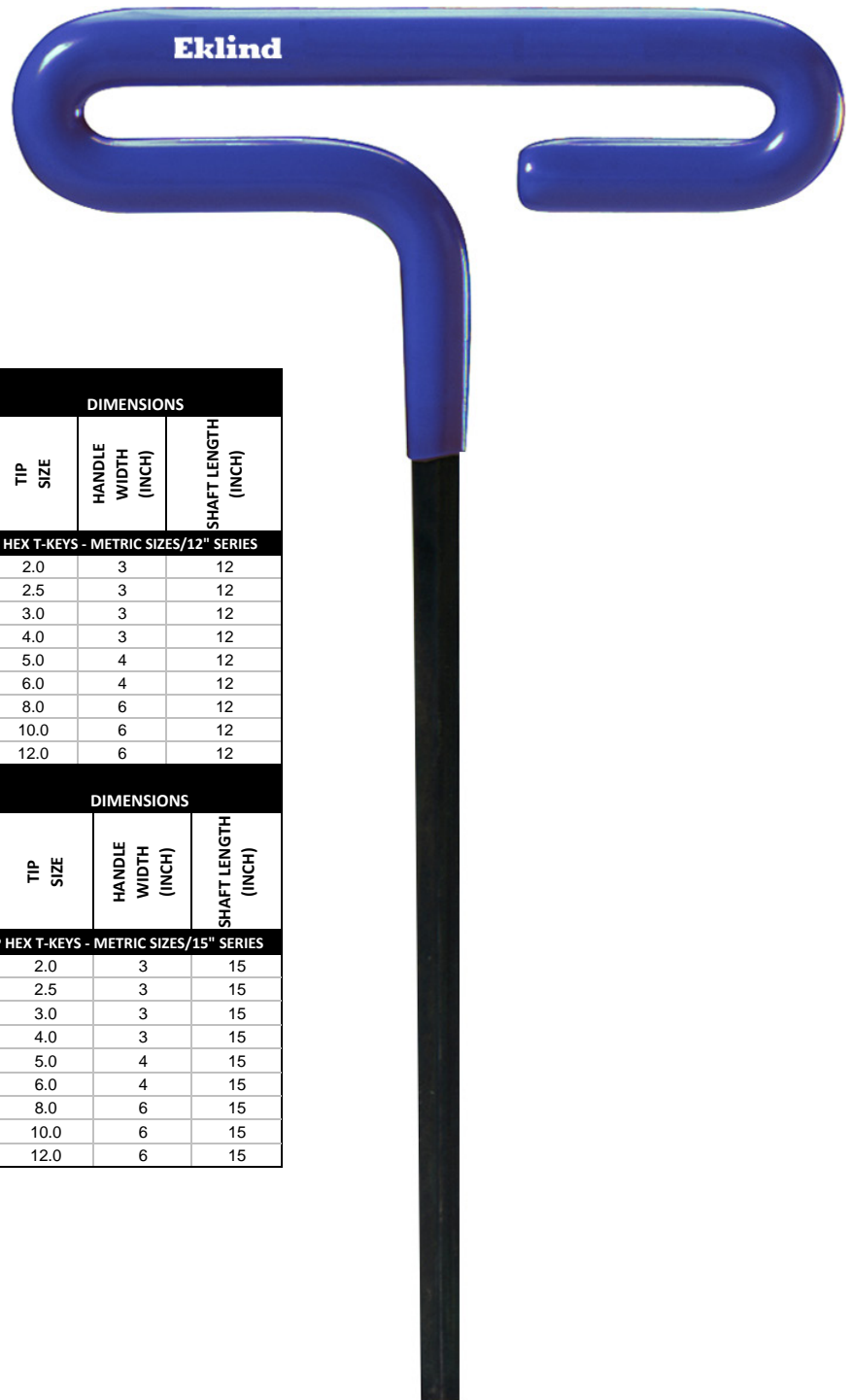
ITEM NO.	DIMENSIONS		
	TIP SIZE	LONG ARM (INCH)	SHORT ARM (INCH)
DOUBLE BALL END HEX KEYS - METRIC SIZES			
19603	1.5	3.50	.27
19604	2.0	3.90	.29
19605	2.5	4.30	.30
19606	3.0	4.90	.34
19608	4.0	5.40	.37
19610	5.0	6.20	.42
1912	6.0	7.00	.49
19616	8.0	7.80	.62
19620	10.0	8.70	.81



Ball tip on short arm is thicker providing extra strength

NEW HEX T-KEY LENGTHS

Eklind Hex T-Keys feature a one piece loop handle construction for extra strength. Popular inch and metric keys are **NOW** available in both 12" and 15" lengths. Cushion Grip T-Keys provide extra comfort.

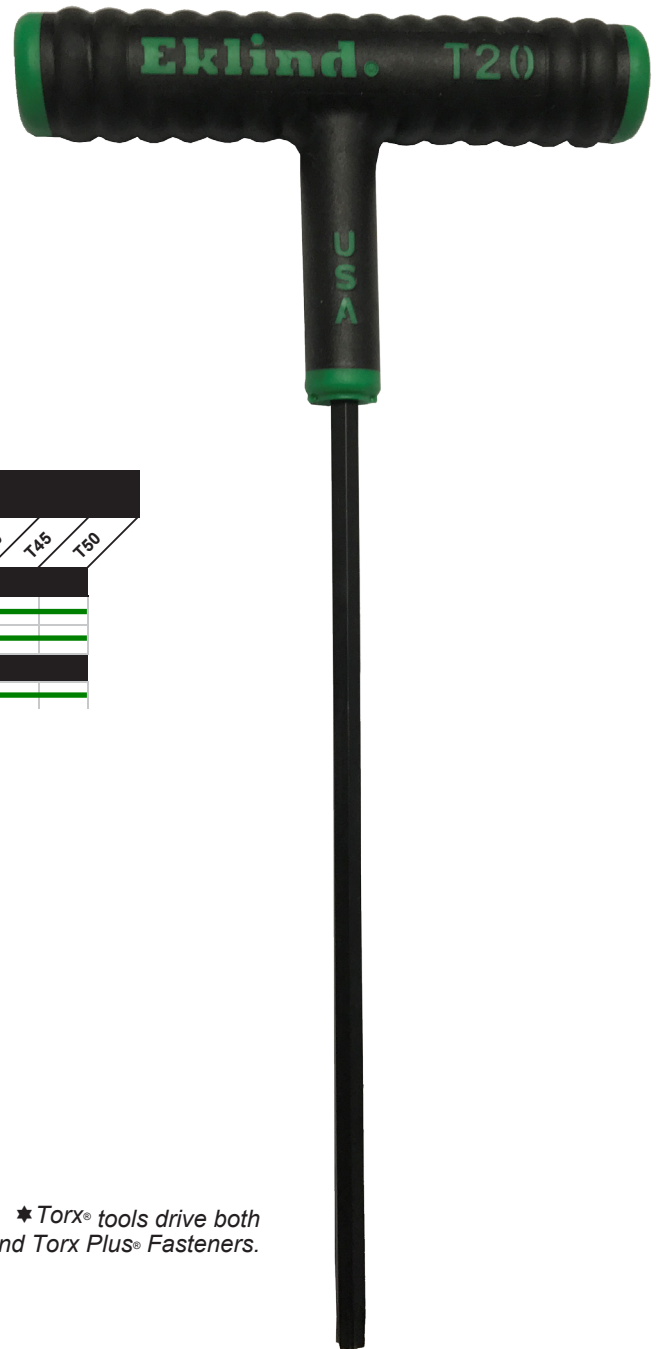


ITEM NO.	DIMENSIONS		
	TIP SIZE	HANDLE WIDTH (INCH)	SHAFT LENGTH (INCH)
CUSHION GRIP HEX T-KEYS - INCH SIZES/12" SERIES			
51205	5/64	3	12
51206	3/32	3	12
51207	7/64	3	12
51208	1/8	3	12
51209	9/64	3	12
51210	5/32	3	12
51212	3/16	4	12
51214	7/32	4	12
51216	1/4	4	12
51220	5/16	6	12
51224	3/8	6	12
51232	1/2	6	12
ITEM NO. DIMENSIONS			
	TIP SIZE	HANDLE WIDTH (INCH)	SHAFT LENGTH (INCH)
CUSHION GRIP HEX T-KEYS - INCH SIZES/15" SERIES			
51505	5/64	3	15
51506	3/32	3	15
51507	7/64	3	15
51508	1/8	3	15
51509	9/64	3	15
51510	5/32	3	15
51512	3/16	4	15
51514	7/32	4	15
51516	1/4	4	15
51520	5/16	6	15
51524	3/8	6	15
51532	1/2	6	15

ITEM NO.	DIMENSIONS		
	TIP SIZE	HANDLE WIDTH (INCH)	SHAFT LENGTH (INCH)
CUSHION GRIP HEX T-KEYS - METRIC SIZES/12" SERIES			
54220	2.0	3	12
54225	2.5	3	12
54230	3.0	3	12
54240	4.0	3	12
54250	5.0	4	12
54260	6.0	4	12
54280	8.0	6	12
54290	10.0	6	12
54292	12.0	6	12
ITEM NO. DIMENSIONS			
	TIP SIZE	HANDLE WIDTH (INCH)	SHAFT LENGTH (INCH)
CUSHION GRIP HEX T-KEYS - METRIC SIZES/15" SERIES			
54520	2.0	3	15
54525	2.5	3	15
54530	3.0	3	15
54540	4.0	3	15
54550	5.0	4	15
54560	6.0	4	15
54580	8.0	6	15
54590	10.0	6	15
54592	12.0	6	15

NEW POWER-T™ TORX® LENGTH

Eklind Power-T™ Keys are manufactured from Eklind Alloy Steel™. They are heat treated for optimum strength and ductility. Power-T™ T-Handle Hex Keys have a soft, textured overmold for extra comfort, slip resistance and safety. **NOW** available in 9" length.



- Soft textured overmold for extra comfort
- Provides extra reach and extra leverage
- Sizes permanently marked on handle
- Color-coded for easy identification

ITEM NO.	SERIES	NO. of KEYS	KEY SIZES														
			T6	T7	T8	T9	T10	T15	T20	T25	T27	T30	T40	T45	T50		
SETS IN POUCH																	
68988	Long	8															
68991	Long	11															
SETS IN STAND																	
68992	Long	11															

ITEM NO.	DIMENSIONS		
	TIP SIZE	HANDLE WIDTH (INCH)	SHAFT LENGTH (INCH)
POWER-T™ TORX® KEYS / 9" SERIES			
68906	T6	3	9
68907	T7	3	9
68908	T8	3	9
68909	T9	3	9
68910	T10	3	9
68915	T15	3	9
68920	T20	3	9
68925	T25	3	9
68927	T27	4	9
68930	T30	4	9
68940	T40	4	9
68945	T45	5	9
68950	T50	5	9

★ Torx® tools drive both Torx® and Torx Plus® Fasteners.

TORX® tools drive all TORX®, TORX PLUS® and "star" fasteners. TORX® and TORX PLUS® are registered trademarks of Acument Intellectual Properties, LLC.



Eklind®



COMBINATION SETS

Eklind Combo Sets are a great choice when both inch and metric Hex Keys are needed. These sets offer convenience as well as value. Combo Sets include popular inch and metric sizes in Ball-Hex, Standard Hex and Torx® style tips.

Ball•Hex•L™ Key Sets

Hex•L® Key Sets



TURNS 360° AT UP TO A 35° ANGLE

THE INDUSTRY STANDARD

Ergo•Fold™ Key Sets

Classic Fold•Up Key Sets



FEEL THE DIFFERENCE!

**EXTRA LEVERAGE
EXTRA TORQUE
EXTRA REACH**

COMBINATION SETS Eklind

**Eklind®**

BALL•HEX•L™ COMBO SETS

KEY SETS

ITEM NO.	SERIES	NO. of KEYS	13113	13211	13213	13313	13509	13607	13609	13709	17313	17709	25171	25461	25581	25582	25911
13218	Long	18		Red				Blue									
13122	Stubby	22	Red				Blue										
13222	Long	22		Red				Blue									
13228	Long & Ergo	28		Red				Blue					Yellow				
13281	Long & Ergo	30		Red				Blue						Green			
13282	Long & Ergo	30		Red				Blue							Green		
13322	Bright	22			Red				Blue								
17322	X-Long & Bright	22								Red	Blue						
29016	Long & Ergo	16						Blue				Blue					
29022	Long & Ergo	22		Red													Red

**Eklind®**

HEX•L® COMBO SETS

KEY SETS

ITEM NO.	SERIES	NO. of KEYS	10111	10113	10213	10507	10509	10609	11213	11609
10022	Long & Short	22			Red		Blue			
10222	Long	22			Red			Blue		
10122	Short	22		Red			Blue			
10518	Short	18	Red			Blue				
11222	Bright	22							Red	Blue

**Eklind®**

ERGO•FOLD™ COMBO SETS

KEY SETS

ITEM NO.	NO. of KEYS	13213	13609	25161	25171	25461	25581	25611	25911	25912
25013	13		Blue		Blue					
25015	15							Red		Red
25016	16				Blue				Red	
25024	24				Blue		Green		Red	
25028	28		Blue		Blue			Red		Red
25030	30				Blue	Yellow	Green		Red	
25036	36		Blue		Blue		Green	Red		Red
29016	16		Blue		Blue					
29022	22	Red							Red	

**Eklind®**

CLASSIC FOLD•UP COMBO SETS

KEY SETS

ITEM NO.	NO. of KEYS	20911	21171	22571
26160	16	Red	Blue	
29171	23	Red	Blue	Green

**Eklind® COMBINATION SETS**



Eklind®



ERGO•FOLD™ KEY SETS

Feel The Difference!

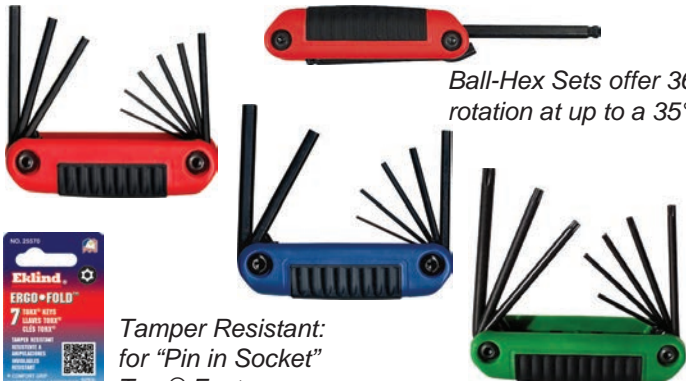
Ergo-Fold™ Key Sets feature a composite grip handle shaped for superior ergonomics. A soft cushion-grip insert offers comfort and slip resistance, while a hard shell provides maximum strength. Eklind keys provide extra reach for safer clearance from your work.



Eklind Ergo-Fold™ Key Sets can be used at a right angle to generate maximum torque. Additionally, they can be used as a screwdriver, with the key folded out to a firm stop. As with all other Eklind Hex Key products, we use the highest quality Eklind Alloy Steel™ that is heat treated for superior strength and finished to resist rust. Eklind keys provide maximum torque and wear resistance.

Inch, Metric AND Torx® Sets

A variety of inch and metric sets are available in both regular Hex and Ball-Hex series. Small, medium and large size handles offer the proper amount of torque for the application.



Ball-Hex Sets offer 360° of rotation at up to a 35° angle.



Tamper Resistant: for "Pin in Socket" Torx® Fasteners.

Torx® sets cover a wide scope of applications including; automotive headlights, taillights and trim, power tools, carbide inserts in cutting tools, appliances and electronics.

Combo Sets



Screwdriver Sets

These convenient sets are ideal in the glove compartment and kitchen or desk drawers.



As Strong As Steel... Guaranteed Forever!

TORX® tools drive all TORX®, TORX PLUS® and "star" fasteners. TORX® and TORX PLUS® are registered trademarks of Acument Intellectual Properties, LLC.

ERGO•FOLD™ KEY SETS Eklind



Eklind® ERGO•FOLD™ INCH SETS



Eklind® ERGO•FOLD™ KEY SETS

KEY SIZES

ITEM NO.	HANDLE SIZE	NO. of KEYS	.050	1/16	5/64	3/32	7/64	1/8	9/64	5/32	3/16	7/32	1/4	5/16	3/8
BALL END INCH SETS															
25519	5.25	5													
25919	4.25	9													
HEX INCH SETS															
25611	5.25	6													
25911	4.25	9													
25912	3.63	9													



Eklind® ERGO•FOLD™ METRIC SETS

KEY SIZES

ITEM NO.	HANDLE SIZE	NO. of KEYS	1.5	2.0	2.5	3.0	4.0	5.0	6.0	7.0	8.0	10.0
BALL END METRIC SETS												
25159	5.25	5										
25169	3.63	6										
HEX METRIC SETS												
25161	5.25	6										
25171	3.63	7										
25172	5.25	7										
25181	5.25	8										



Eklind® ERGO•FOLD™ TORX® SETS

KEY SIZES

ITEM NO.	HANDLE SIZE	NO. of KEYS	T6	T7	T8	T9	T10	T15	T20	T25	T27	T30	T40
TORX® SETS													
25581	4.25	8											
25582	3.63	8											
TAMPER RESISTANT TORX® SETS													
25570	4.25	7											



Eklind® ERGO•FOLD™ SCREWDRIVER SETS

KEY SIZES

ITEM NO.	HANDLE SIZE	NO. of KEYS	1/8" FB	3/16" FB	1/4" FB	#1 PB	AWL	4.0MM	5.0MM	6.0MM	T15
SCREWDRIVER SETS											
25461	3.63	6									
25651	3.63	5									

Ergo-Fold™ Combo Sets are listed on page 5.



Eklind®



CLASSIC FOLD-UP SETS

This versatile line of tools is available in inch and metric Hex Keys, Ball-Hex Keys, Torx® Keys or Screwdriver Bits. Each set of keys is housed in a one-piece comfort grip handle designed to operate smoothly as well as hold the keys firmly in any desired work position.

Combo Sets



Inch and Metric Sets



A variety of Hex and Ball-Hex Sets are available, covering the full range of inch and metric sizes.



Screwdriver Sets



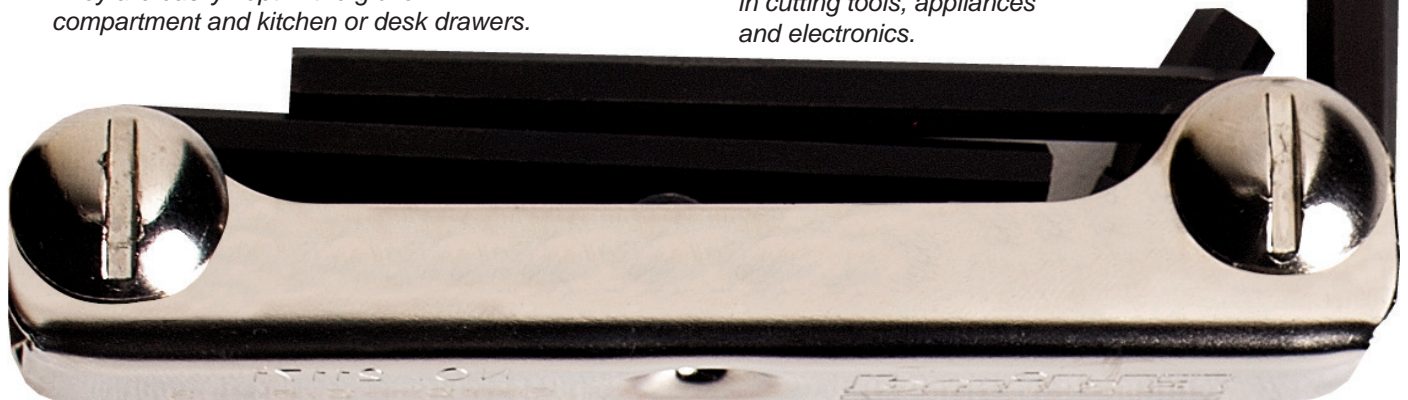
These convenient sets offer flat blades, #1 Phillips, a scratch awl and the popular T15 Torx® Key. They are easily kept in the glove compartment and kitchen or desk drawers.



Torx® Sets



Torx® Sets cover a wide scope of applications including; automotive headlights taillights and trim, power tools, carbide inserts in cutting tools, appliances and electronics.



CLASSIC FOLD-UP KEY SETS Eklind



CLASSIC FOLD-UP INCH SETS

KEY SIZES

ITEM NO.	HANDLE SIZE	NO. of KEYS	.050	1/16	5/64	3/32	7/64	1/8	9/64	5/32	3/16	7/32	1/4	5/16	3/8
BALL END INCH SETS															
20519	5.25	5													
20719	3.00	7													
20919	4.25	9													
HEX INCH SETS															
20511	5.25	5													
20811	3.00	8													
20812	5.25	8													
20911	4.25	9													
20912	3.63	9													



CLASSIC FOLD-UP METRIC SETS

KEY SIZES

ITEM NO.	HANDLE SIZE	NO. of KEYS	1.5	2.0	2.5	3.0	4.0	5.0	6.0	8.0	10.0
BALL END METRIC SETS											
21158	3.00	5									
21159	5.25	5									
HEX METRIC SETS											
21151	5.25	6									
21171	3.63	7									
21172	4.25	7									



CLASSIC FOLD-UP TORX® SETS

KEY SIZES

ITEM NO.	HANDLE SIZE	NO. of KEYS	T6	T7	T8	T9	T10	T15	T20	T25	T27	T30	T40
TORX® SETS													
22571	4.25	7											
22572	3.00	7											



CLASSIC FOLD-UP SCREWDRIVER SETS

KEY SIZES

ITEM NO.	HANDLE SIZE	NO. of KEYS	1/8" FB	3/16" FB	1/4" FB	#1 PB	AWL	4.0MM	5.0MM	6.0MM	T15
SCREWDRIVER SETS											
22451	3.63	5									
22461	3.63	6									
22651	3.63	5									

Classic Fold-Up Combo Sets are listed on page 5.





Eklind®



BALL•HEX•L™ KEY SETS IN MOLDED HOLDERS

Eklind Ball-Hex-L™ Keys are designed with a ball profile on the long arm. This feature provides 360 degrees of rotation at up to a 35 degree angle. The burr-free short arm allows the user to apply maximum torque in required applications. Ball-Hex-L™ Sets are available in a variety of inch and metric sizes, and in Long, Bright, Extra-Long Bright and Stubby series.



Ball•Hex•L™ Key Sets

NEW "Bright" Series
Our new Bright series and X-Long Bright series have been added to Eklind's Ball-Hex-L™ Key family. These keys are manufactured from the same high quality standards that are consistent with Eklind's entire line of Hex Key Products.

Ball•Hex•L™ Combination Sets

Combination Sets are available in our most popular inch and metric sizes, and in Ball-Hex-L™ Sets as well as Ball-Hex-L™ and Ergo-Fold™ Sets.



Ball•Torx® Key Sets

Ball Torx® L-Keys have a standard Torx® tip on the short arm. The long arm has a ball tip engineered to drive the Torx® fastener at up to a 35 degree angle.

TORX® tools drive all TORX®, TORX PLUS® and "star" fasteners. TORX® and TORX PLUS® are registered trademarks of Acument Intellectual Properties, LLC.

BALL•HEX•L™ KEY SETS / MOLDED HOLDERS

Eklind

**Eklind®****BALL•HEX•L™ INCH SETS****Eklind® BALL•HEX•L™ KEY SETS****KEY SIZES**

ITEM NO.	SERIES	NO. of KEYS	.050	1/16	5/64	3/32	7/64	1/8	9/64	5/32	3/16	7/32	1/4	5/16	3/8	
IN MOLDED PLASTIC HOLDERS																
13111	Stubby	11	[Red bar spanning from .050 to 1/4]													
13113	Stubby	13	[Red bar spanning from .050 to 3/8]													
13207	Long	7		[Red bar from 1/16 to 5/64]		[Red bar from 3/32 to 7/64]		[Red bar from 1/8 to 9/64]		[Red bar from 5/32 to 3/16]		[Red bar from 7/32 to 1/4]				
13211	Long	11	[Red bar spanning from .050 to 3/16]													
13212	Long	12	[Red bar spanning from .050 to 5/16]													
13213	Long	13	[Red bar spanning from .050 to 3/8]													
13297	Long	7		[Red bar from 1/16 to 5/64]		[Red bar from 3/32 to 7/64]		[Red bar from 1/8 to 9/64]		[Red bar from 5/32 to 3/16]		[Red bar from 7/32 to 1/4]				
13313	Bright Long	13	[Red bar spanning from .050 to 3/8]													
17313	Bright X-Long	13	[Red bar spanning from .050 to 3/8]													

**Eklind®****BALL•HEX•L™ METRIC SETS****KEY SIZES**

ITEM NO.	SERIES	NO. of KEYS	1.5	2.0	2.5	3.0	4.0	5.0	6.0	8.0	10.0	
IN MOLDED PLASTIC HOLDERS												
13507	Stubby	7	[Blue bar spanning from 1.5 to 6.0]									
13509	Stubby	9	[Blue bar spanning from 1.5 to 8.0]									
13607	Long	7	[Blue bar spanning from 1.5 to 6.0]									
13609	Long	9	[Blue bar spanning from 1.5 to 8.0]									
13709	Bright Long	9	[Blue bar spanning from 1.5 to 8.0]									
17709	Bright X-Long	9	[Blue bar spanning from 1.5 to 8.0]									

**Eklind®****BALL / TORX® SETS****KEY SIZES**

ITEM NO.	SERIES	NO. of KEYS	T10	T15	T20	T25	T27	T30	T40	
IN MOLDED PLASTIC HOLDERS										
10007	Long	7	[Green bar spanning from T10 to T40]							



HEX•L® & TORX® L SETS IN MOLDED HOLDERS

Eklind L-Keys are produced from the highest quality Eklind Alloy Steel™. They are heat treated for maximum strength and finished to resist rust. Eklind's superior quality provides maximum torque and prevents rounding out of the key or hex socket.

HEX•L® AND TORX® L*KEY SETS / MOLDED HOLDERS Eklind



Hex•L® Key Sets

A variety of inch and metric sets are available in both short and long arm series. These sets are contained in a convenient compact molded holder that firmly retains each key in designated holes. The molded holders are color-coded which makes them instantly identifiable; red for inch sizes, and blue for metric sizes.

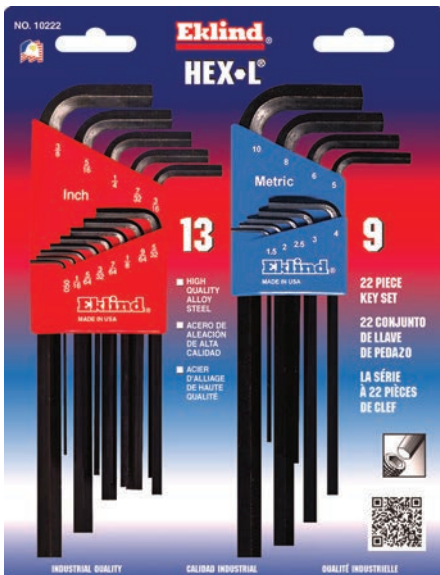


Torx® L*Key Sets

Torx® L-Key Sets are available in popular sizes and in both short and long arm series. They are conveniently contained in a green molded plastic holder with individually sized marked holes. Torx® keys are useful in the following applications: automotive headlights, taillights and trim, power tools, carbide inserts in cutting tools, appliances and electronics.



Tamper Resistant Torx® for "Pin in Socket" Torx® Fasteners.



Combination Hex•L® Key Sets

A variety of Combination Hex•L® Key Sets are available in popular inch and metric sizes. These sets are contained in separate color-coded molded holders offering convenient, organized tools.



TORX® tools drive all TORX®, TORX PLUS® and "star" fasteners. TORX® and TORX PLUS® are registered trademarks of Acument Intellectual Properties, LLC.



Eklind® HEX•L® INCH SETS

KEY SIZES

ITEM NO.	SERIES	NO. of KEYS	KEY SIZES												
			.050	1/16	5/64	3/32	7/64	1/8	9/64	5/32	3/16	7/32	1/4	5/16	3/8
IN MOLDED PLASTIC HOLDERS															
10018	Short	18	S	S	S	S	S	S	S	S	S	S	S	S	
	Long		L	L	L	L	L	L	L	L	L	L	L	L	
10107	Short	7													
10111	Short	11													
10112	Short	12													
10113	Short	13													
10207	Long	7													
10211	Long	11													
10212	Long	12													
10213	Long	13													
11113	Bright Short	13													
11213	Bright Long	13													

**

** Available in bulk only (no blister pack)



Eklind® HEX•L® METRIC SETS

KEY SIZES

ITEM NO.	SERIES	NO. of KEYS	KEY SIZES								
			1.5	2.0	2.5	3.0	4.0	5.0	6.0	8.0	10.0
IN MOLDED PLASTIC HOLDERS											
10507	Short	7									
10509	Short	9									
10607	Long	7									
10609	Long	9									
11509	Bright Short	9									
11609	Bright Long	9									



Eklind® TORX® L•SETS

KEY SIZES

ITEM NO.	SERIES	NO. of KEYS	KEY SIZES						
			T10	T15	T20	T25	T27	T30	T40
IN MOLDED PLASTIC HOLDERS									
10807	Short	7							
10907	Long	7							
10707	TR	7							
11807	Bright Short	7							
11907	Bright Long	7							

*

* Tamper Resistant

Hex-Hex-L® Combo Sets are listed on page 5.





HEX•L® & TORX® LSETS IN METAL BOXES

Eklind L-Keys are produced from the highest quality Eklind Alloy Steel™. They are heat treated for maximum strength and finished to resist rust. Eklind's superior quality provides maximum torque and prevents rounding out of the key or hex socket.



A variety of Inch, Metric and Torx® sets make up this extensive line. Keys are housed into a sturdy metal case that will conveniently hang in the workshop or stand on the workbench. All sets are contained in an index for easy access. Box labels are color-coded, red for inch sizes, blue for metric sizes and green for Torx® sizes.

HEX•L® AND TORX® L•KEY SETS/METAL BOXES Eklind



Eklind® HEX•L® INCH SETS

KEY SIZES

ITEM NO.	SERIES	NO. of KEYS	.028	.035	.050	1/16	5/64	3/32	7/64	1/8	9/64	5/32	3/16	7/32	1/4	5/16	3/8	1/2	9/16	5/8	
BALL-HEX-L™ INCH SETS																					
13216	Long	16																			
13293	Long	13																			
HEX-L® INCH SETS																					
10115	Short	15																			
10118	Short	18																			
10214	Long	14																			
10217	Long	17																			
10294	Long	14																			



Eklind® HEX•L® METRIC SETS

KEY SIZES

ITEM NO.	SERIES	NO. of KEYS	0.7	0.9	1.3	1.5	2.0	2.5	3.0	4.0	5.0	6.0	8.0	10.0	12.0	14.0	17.0	
BALL-HEX-L™ METRIC SETS																		
13610	Long	10																
13613	Long	13																
HEX-L® METRIC SETS																		
10512	Short	12																
10515	Short	15																
10610	Long	10																
10611	Long	11																
10614	Long	14																



Eklind® TORX® L★SETS

KEY SIZES

ITEM NO.	SERIES	NO. of KEYS	T6	T7	T8	T9	T10	T15	T20	T25	T27	T30	T40	T45	T50	T55	T60
10812	Short	12															
10890	Short	10															
10984	Short	14															
10912	Long	12															
10990	Long	10															
10994	Long	14															





Eklind®



HEX•L® & TORX® LSETS IN VINYL POUCHES



Eklind L-Keys are manufactured from the highest quality Eklind Alloy Steel™. They are heat treated for maximum strength and finished to resist rust. Hex corners are sharp and clean. Each key is square cut and burr free for full depth precision fit with the hex socket. Eklind's quality provides maximum torque and prevents rounding out of the key or hex socket.

A variety of inch, metric and Torx® sets are available in both short and long arm series. These sets are available in a sturdy, see through vinyl pouch that can fit compactly into a toolbox or hang in the workshop. The vinyl pouches are color-coded which makes them instantly identifiable.

Tamper Resistant

Tamper Resistant: for "Pin in Socket" Torx®



Torx® keys are useful in the following applications: automotive headlights, taillights and trim, power tools, carbide inserts in cutting tools, appliances and electronics.

TORX® tools drive all TORX®, TORX PLUS® and "star" fasteners. TORX® and TORX PLUS® are registered trademarks of Acument Intellectual Properties, LLC.

HEX•L® AND TORX® L•KEY SETS / VINYL POUCHES Eklind



Eklind® HEX•L® INCH SETS

ITEM NO.	SERIES	NO. of KEYS	KEY SIZES																			
			.028	.035	.050	1/16	5/64	3/32	7/64	1/8	9/64	5/32	3/16	7/32	1/4	5/16	3/8	7/16	1/2	9/16	5/8	3/4
IN VINYL POUCHES																						
10311	6 Inch	11																				
10407	12 Inch	7																				
69113	Short	13																			**	
69207	Short	7																			**	
69211	Short	11																			**	
69213	Long	13																			**	
69215	Short	15																			**	
69209	Long	9																			**	
69218	Short Long	18																			**	
87170	Short	20																			*	
90100	TR	8																			*	

* Tamper Resistant

** With plastic ring



Eklind® HEX•L® METRIC SETS

ITEM NO.	SERIES	NO. of KEYS	KEY SIZES																			
			0.7	0.9	1.3	1.5	2.0	2.5	3.0	4.0	5.0	6.0	7.0	8.0	9.0	10.0	11.0	12.0	14.0	17.0	19.0	
IN VINYL POUCHES																						
10592	Short	12																				
69205	Short	7																				
69210	Short	10																				
69511	Short	11																			**	
69611	Long	11																			**	
87169	Short	17																			**	

** With plastic ring



Eklind® TORX® L★SETS

ITEM NO.	SERIES	NO. of KEYS	KEY SIZES														
			T6	T7	T8	T9	T10	T15	T20	T25	T27	T30	T40	T45	T50	T55	
REGULAR TORX® IN VINYL POUCHES																	
10014	Ball	14															
10714	TR	14															*
10810	Short	10															
10814	Short	14															
10897	Short	7															
10910	Long	10															
10914	Long	14															
10997	Long	7															

* Tamper Resistant



Eklind® HEX•L® AND TORX® L★KEY SETS / VINYL POUCHES



PSD™ KEY SETS

Professional Precision Screwdrivers

Eklind PSD™ Professional Precision Screwdrivers are manufactured with the same high quality standards that has made Eklind Tool Company the leading manufacturer of American made Hex Key products. A bigger, tapered, ergonomic handle is designed to offer professionals comfort as well as control. Rotating end-caps maintain finger tip control. Tip styles include Hex, Ball-Hex, Slotted, Phillips and Torx®.



- Big, Comfortable Handle
- Spinner-Cap for Precise Control
- Precision Machined Tip
- Sizes are Permanently Marked on Cap
- Soft, Ergo Grip
- Oil & Chemical Resistant



Eklind PSD™ INCH & METRIC SETS

ITEM NO.	TIP STYLE	NO. of KEYS	KEY SIZES																			
			.028	.035	.050	1/16	5/64	3/32	7/64	1/8	9/64	5/32	0.7	0.9	1.3	1.5	2.0	2.5	3.0	4.0		
92300	Hex	10	[Red bar]																			
92500	Ball-Hex	8		[Red bar]																		
92400	Hex	8										[Blue bar]										
92600	Ball-Hex	6											[Blue bar]									



Eklind PSD™ SCREWDRIVER & TORX® SETS

ITEM NO.	TIP STYLE	NO. of KEYS	KEY SIZES																				
			1.0	1.5	2.0	2.5	3.0	4.0	#000	#00	#0	#1	T3	T4	T5	T6	T7	T8	T9	T10	T15	T20	
92199	SD	10	[Yellow bar]																				
92200	TORX®	10										[Green bar]											



Eklind BALL-HEX-DRIVER™ KEY SETS

BALL-HEX-DRIVERS™

Ball-Hex-Drivers™ provide 360° of rotation at up to a 35° angle. Large diameter tools have bigger handles for better grip and superior torque. Small diameter tools feature a precision style handle with a finger rest at the top. Handles are color coded; red for inch sizes and blue for metric sizes.



This universal stand will accommodate a wide variety of Eklind products (T-Keys and Ball-Hex-Drivers™) in inch and metric sizes. They can be attached to a wall, to a bench, or to each other.



Eklind BALL-HEX-DRIVER™ INCH SETS

		KEY SIZES													
ITEM NO.	NO. of KEYS	.050	1/16	5/64	3/32	7/64	1/8	9/64	5/32	3/16	7/32	1/4	5/16	3/8	
SETS IN STANDS															
90114	13														
SETS IN POUCHES															
90113	13														
90108	8														
90109	9														



Eklind BALL-HEX-DRIVER™ METRIC SETS

		KEY SIZES									
ITEM NO.	NO. of KEYS	1.3	1.5	2.0	2.5	3.0	4.0	5.0	6.0	8.0	10.0
SETS IN STANDS											
90611	10										
SETS IN POUCHES											
90609	9										
90607	7										



POWER-T™ KEY SETS

Strong, Increased Comfort, and a Great New Look!

Eklind Power-T™ Keys are manufactured from the highest quality Eklind Alloy Steel™ and constructed with a solid steel core for maximum strength. They are heat treated for maximum strength and finished to resist rust. Our new dual-molded grip provides increased comfort and slip resistance for safety.

Power-T™ Keys are available in Standard Hex (6" and 9" shaft lengths), Ball-Hex (9" shaft lengths) and Torx® (6" shaft lengths).



Eklind's Universal Hex Key Stand will accommodate a wide variety of Eklind Inch, Metric and Torx® products. They can be attached to a wall, to a bench or to each other.

- Solid Steel Core for Maximum Strength
- Soft Over-Mold for Comfort Offers Slip Resistance
- Provides Extra Torque & Safety
- Sizes Permanently Marked on Handle
- Color-Coded for Easy Identification

...STRENGTH
...COMFORT
...SAFETY

★ Torx® tools drive both Torx® and Torx Plus® Fasteners.



Ball-Hex Keys are designed with greater length allowing access to hard to reach fasteners and providing 360 degrees of rotation at up to a 35 degree angle.

TORX® tools drive all TORX®, TORX PLUS® and "star" fasteners. TORX® and TORX PLUS® are registered trademarks of Acument Intellectual Properties, LLC.

**Eklind®**

POWER•T™ INCH SETS

**Eklind® POWER•T™ KEY SETS**

ITEM NO.	SERIES	ARM LENGTH	NO. of KEYS	KEY SIZES												
				.050	1/16	5/64	3/32	7/64	1/8	9/64	5/32	3/16	7/32	1/4	5/16	3/8
SETS IN STANDS																
60814	Ball	9"	13	*	*											
60614	Ball	6"	13	*	*											
60914	Ball	9"	13	*	*											
SETS IN POUCHES																
60809	Ball	9"	9													
60811	Ball	9"	11													
60609	Hex	6"	9													
60611	Hex	6"	11													
60909	Hex	9"	9													
60911	Hex	9"	11													

* Indicates L-Key

**Eklind®**

POWER•T™ METRIC SETS

ITEM NO.	SERIES	ARM LENGTH	NO. of KEYS	KEY SIZES									
				1.3	1.5	2.0	2.5	3.0	4.0	5.0	6.0	8.0	10.0
SETS IN STANDS													
64811	Ball	9"	10	*	*								
64611	Hex	6"	10	*	*								
64911	Hex	9"	10	*	*								
SETS IN POUCHES													
64806	Ball	9"	6										
64808	Ball	9"	8										
64606	Hex	6"	6										
64608	Hex	6"	8										
64906	Hex	9"	6										
64908	Hex	9"	8										

* Indicates L-Key

**Eklind®**

POWER★T™ TORX® SETS

ITEM NO.	SERIES	ARM LENGTH	NO. of KEYS	KEY SIZES												
				T6	T7	T8	T9	T10	T15	T20	T25	T27	T30	T40	T45	T50
SETS IN STANDS																
68692	Torx®	6"	11													
SETS IN POUCHES																
68688	Torx®	6"	8													
68689	Torx®	6"	8													
68691	Torx®	6"	11													



HEX T-KEY SETS

Eklind Hex T-Keys feature a one piece loop handle construction for extra strength. Hex T-Key sets are available in a stand or with a pouch. Stand sets can be attached to a wall or to a bench. Pouch sets fit compactly into a toolbox or hang in the work shop. Popular inch and metric sets are available in both 6" and 9" lengths. Cushion Grip Sets provide extra comfort. Standard Grip Sets offer a more economical option.



**Eklind®**

HEX T•KEY INCH SETS

**Eklind® HEX T•KEY SETS**

ITEM NO.	HANDLE	ARM LENGTH	NO. of KEYS	KEY SIZES									
				3/32	7/64	1/8	9/64	5/32	3/16	7/32	1/4	5/16	3/8
SETS IN STANDS													
50160	Cushion	6"	10										
50190	Cushion	9"	10										
30160	Standard	6"	10										
30190	Standard	9"	10										
SETS IN POUCHES													
53610	Cushion	6"	10										
53910	Cushion	9"	10										
53168	Cushion	6"	8										
53198	Cushion	9"	8										
33610	Standard	6"	10										
33910	Standard	9"	10										
33168	Standard	6"	8										
33198	Standard	9"	8										

**Eklind®**

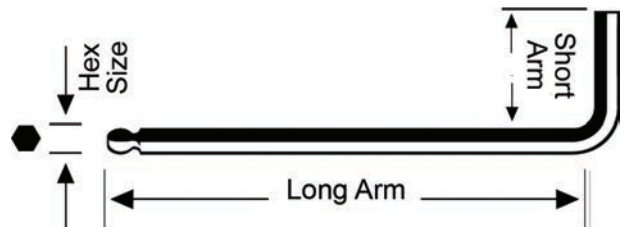
HEX T•KEY METRIC SETS

ITEM NO.	HANDLE	ARM LENGTH	NO. of KEYS	KEY SIZES							
				2.0	2.5	3.0	4.0	5.0	6.0	8.0	10.0
SETS IN STANDS											
56168	Cushion	6"	8								
56198	Cushion	9"	8								
36168	Standard	6"	8								
36198	Standard	9"	8								
SETS IN POUCHES											
55168	Cushion	6"	8								
55198	Cushion	9"	8								
55166	Cushion	6"	6								
55196	Cushion	9"	6								
35168	Standard	6"	8								
35198	Standard	9"	8								
35165	Standard	6"	5								
35195	Standard	9"	5								



ITEM NO.	DIMENSIONS		
	TIP SIZE	LONG ARM (INCH)	SHORT ARM (INCH)
BALL-HEX-L™ KEYS - INCH SIZES / LONG SERIES			
18203	.050	2.84	0.53
18204	1/16	3.00	0.56
18205	5/64	3.19	0.61
18206	3/32	3.38	0.66
18207	7/64	3.56	0.70
18208	1/8	3.75	0.75
18209	9/64	3.94	0.80
18210	5/32	4.12	0.84
18212	3/16	4.50	0.94
18214	7/32	4.88	1.03
18216	1/4	5.25	1.12
18220	5/16	6.00	1.25
18224	3/8	6.75	1.38
18228	7/16	7.50	1.50
18232	1/2	8.25	1.63
18236	9/16	9.00	1.75
18240	5/8	9.75	1.88
18248	3/4	11.25	2.13
18256	7/8	12.75	2.38
18264	1	14.25	2.63
BALL-HEX-L™ KEYS - INCH SIZES / STUBBY SERIES			
18103	.050	2.84	0.16
18104	1/16	3.00	0.29
18105	5/64	3.19	0.29
18106	3/32	3.38	0.30
18107	7/64	3.56	0.32
18108	1/8	3.75	0.33
18109	9/64	3.94	0.35
18110	5/32	4.12	0.37
18112	3/16	4.50	0.41
18114	7/32	4.88	0.49
18116	1/4	5.25	0.48
18120	5/16	6.00	0.62
18124	3/8	6.75	0.75

ITEM NO.	DIMENSIONS		
	TIP SIZE	LONG ARM (INCH)	SHORT ARM (INCH)
BALL-HEX-L™ KEYS - METRIC SIZES / LONG SERIES			
18602	1.3	2.84	0.53
18603	1.5	3.03	0.53
18604	2.0	3.19	0.61
18605	2.5	3.48	0.69
18606	3.0	3.88	0.75
18607	3.5	4.00	0.84
18608	4.0	4.09	0.94
18609	4.5	4.34	1.00
18610	5.0	4.57	1.06
18611	5.5	5.01	1.13
18612	6.0	5.43	1.22
18614	7.0	6.20	1.38
18616	8.0	6.20	1.38
18618	9.0	6.58	1.54
18620	10.0	6.58	1.54
18622	11.0	7.50	1.50
18624	12.0	8.23	1.73
18628	14.0	9.15	2.15
18634	17.0	9.69	2.42
18638	19.0	10.85	2.70
18644	22.0	14.00	2.70
18648	24.0	14.25	2.63
BALL-HEX-L™ KEYS - METRIC SIZES / STUBBY SERIES			
18503	1.5	3.03	0.16
18504	2.0	3.19	0.29
18505	2.5	3.48	0.30
18506	3.0	3.88	0.34
18508	4.0	4.09	0.37
18510	5.0	4.57	0.42
18512	6.0	5.43	0.49
18516	8.0	6.20	0.62
18520	10.0	6.58	0.75





INDIVIDUAL BRIGHT BALL-HEX-L™ KEYS



ITEM NO.	DIMENSIONS		
	TIP SIZE	LONG ARM (INCH)	SHORT ARM (INCH)
BRIGHT BALL-HEX L™ KEYS - INCH SIZES / LONG			
18303	.050	2.84	0.53
18304	1/16	3.00	0.56
18305	5/64	3.19	0.61
18306	3/32	3.38	0.66
18307	7/64	3.56	0.70
18308	1/8	3.75	0.75
18309	9/64	3.94	0.80
18310	5/32	4.12	0.84
18312	3/16	4.50	0.94
18314	7/32	4.88	1.03
18316	1/4	5.25	1.12
18320	5/16	6.00	1.25
18324	3/8	6.75	1.38
BRIGHT BALL-HEX-L™ KEYS - INCH SIZES / X-LONG			
19303	.050	3.10	0.53
19304	1/16	3.50	0.56
19305	5/64	3.90	0.61
19306	3/32	4.15	0.66
19307	7/64	4.41	0.70
19308	1/8	4.75	0.75
19309	9/64	5.11	0.8
19310	5/32	5.46	0.84
19312	3/16	6.15	0.94
19314	7/32	6.48	1.03
19316	1/4	6.82	1.12
19320	5/16	7.56	1.25
19324	3/8	8.50	1.38

ITEM NO.	DIMENSIONS		
	TIP SIZE	LONG ARM (INCH)	SHORT ARM (INCH)
BRIGHT BALL-HEX-L™ KEYS - METRIC SIZES / LONG			
18703	1.5	3.03	0.53
18704	2.0	3.19	0.61
18705	2.5	3.48	0.69
18706	3.0	3.88	0.75
18708	4.0	4.09	0.94
18710	5.0	4.57	1.06
18712	6.0	5.43	1.22
18716	8.0	6.20	1.38
18720	10.0	6.58	1.54
BRIGHT BALL-HEX-L™ KEYS - METRIC SIZES / X-LONG			
19703	1.5mm	3.5	0.53
19704	2.0mm	3.9	0.61
19705	2.5mm	4.33	0.69
19706	3.0mm	4.88	0.75
19708	4.0mm	5.43	0.94
19710	5.0mm	6.19	1.06
19712	6.0mm	7.00	1.022
19716	8.0mm	7.76	1.38
19720	10.0mm	8.70	1.54



NEW "Bright" Ball-Hex-L™ Products from Eklind!
 Our new Bright series and X-Long Bright series have been added to Eklind's Ball-Hex-L™ Key family. These keys are manufactured from the same high quality standards that are consistent with Eklind's entire line of Hex Key Products.



ITEM NO.	DIMENSIONS		
	TIP SIZE	LONG ARM (INCH)	SHORT ARM (INCH)
HEX-L® KEYS - INCH SIZES / SHORT SERIES			
15101	.028	1.22	0.22
15102	.035	1.22	0.34
15103	.050	1.66	0.53
15104	1/16	1.75	0.56
15105	5/64	1.88	0.61
15106	3/32	2.00	0.66
15107	7/64	2.12	0.70
15108	1/8	2.25	0.75
15109	9/64	2.38	0.80
15110	5/32	2.50	0.84
15112	3/16	2.75	0.94
15114	7/32	3.00	1.03
15116	1/4	3.25	1.12
15120	5/16	3.75	1.25
15124	3/8	4.25	1.38
15128	7/16	4.75	1.50
15132	1/2	5.25	1.63
15136	9/16	5.75	1.75
15140	5/8	6.25	1.88
15148	3/4	7.25	2.13
15156	7/8	8.25	2.38
15164	1	9.25	2.63
15166	1 1/8	10.25	2.75
15168	1 1/4	12.11	4.80
15172	1 1/2	13.25	3.50
15176	1 3/4	15.25	4.00
15180	2	17.25	4.50
HEX-L® KEYS - INCH SIZES / 6" SERIES			
15305	5/64	6.00	0.61
15306	3/32	6.00	0.66
15307	7/64	6.00	0.70
15308	1/8	6.00	0.75
15309	9/64	6.00	0.80
15310	5/32	6.00	0.84
15312	3/16	6.00	0.94
15314	7/32	6.00	1.03
15316	1/4	6.00	1.12
15320	5/16	6.00	1.25

ITEM NO.	DIMENSIONS		
	TIP SIZE	LONG ARM (INCH)	SHORT ARM (INCH)
HEX-L® KEYS - INCH SIZES / LONG SERIES			
15201	.028	2.60	0.22
15202	.035	2.67	0.34
15203	.050	2.84	0.53
15204	1/16	3.00	0.56
15205	5/64	3.19	0.61
15206	3/32	3.38	0.66
15207	7/64	3.56	0.70
15208	1/8	3.75	0.75
15209	9/64	3.94	0.80
15210	5/32	4.12	0.84
15212	3/16	4.50	0.94
15214	7/32	4.88	1.03
15216	1/4	5.25	1.12
15220	5/16	6.00	1.25
15224	3/8	6.75	1.38
15228	7/16	7.50	1.50
15232	1/2	8.25	1.63
15236	9/16	9.00	1.75
15240	5/8	9.75	1.88
15248	3/4	11.25	2.13
15256	7/8	12.75	2.38
15264	1	14.25	2.63
15266	1 1/8	15.75	2.75
15268	1 1/4	19.80	4.80
15272	1 1/2	20.25	3.50
15276	1 3/4	23.25	4.00
15280	2	26.38	4.50
HEX-L® KEYS - INCH SIZES / 12" SERIES			
15405	5/64	12.00	0.61
15406	3/32	12.00	0.66
15408	1/8	12.00	0.75
15410	5/32	12.00	0.84
15412	3/16	12.00	0.94
15414	7/32	12.00	1.03
15416	1/4	12.00	1.12
TAMPER RESISTANT L® KEYS / INCH SIZES			
90206	3/32	5.25	1.00
90208	1/8	5.25	1.00
90210	5/32	5.25	1.20
90212	3/16	5.25	1.20
90214	7/32	5.25	1.20
90216	1/4	5.25	1.38
90220	5/16	5.25	1.38
90224	3/8	5.25	1.38



INDIVIDUAL HEX-L® KEYS / METRIC SIZES



Eklind INDIVIDUAL HEX-L® KEYS / METRIC SIZES

ITEM NO.	DIMENSIONS		
	TIP SIZE	LONG ARM (INCH)	SHORT ARM (INCH)
HEX-L® KEYS - METRIC SIZES / SHORT SERIES			
15500	0.7	1.22	0.22
15501	0.9	1.22	0.34
15502	1.3	1.63	0.53
15503	1.5	1.73	0.53
15504	2.0	1.93	0.61
15505	2.5	2.15	0.69
15506	3.0	2.42	0.75
15507	3.5	2.54	0.84
15508	4.0	2.68	0.94
15509	4.5	2.86	1.00
15510	5.0	3.08	1.06
15511	5.5	3.26	1.13
15512	6.0	3.46	1.22
15514	7.0	3.65	1.38
15516	8.0	3.84	1.38
15518	9.0	4.07	1.54
15520	10.0	4.29	1.54
15522	11.0	4.75	1.50
15524	12.0	4.80	1.73
15528	14.0	5.37	2.15
15534	17.0	6.14	2.42
15538	19.0	6.91	2.70
15544	22.0	8.25	2.70
15548	24.0	9.25	2.63
15551	27.0	9.61	3.84
15556	32.0	12.11	4.80
15560	36.0	13.64	5.37

ITEM NO.	DIMENSIONS		
	TIP SIZE	LONG ARM (INCH)	SHORT ARM (INCH)
HEX-L® KEYS - METRIC SIZES / LONG SERIES			
15600	0.7	2.60	0.22
15601	0.9	2.67	0.34
15602	1.3	2.84	0.53
15603	1.5	3.03	0.53
15604	2.0	3.19	0.61
15605	2.5	3.48	0.69
15606	3.0	3.88	0.75
15607	3.5	3.98	0.84
15608	4.0	4.09	0.94
15609	4.5	4.32	1.00
15610	5.0	4.57	1.06
15611	5.5	4.99	1.13
15612	6.0	5.43	1.22
15614	7.0	6.20	1.38
15616	8.0	6.20	1.38
15618	9.0	6.58	1.54
15620	10.0	6.58	1.54
15622	11.0	7.50	1.50
15624	12.0	8.23	1.73
15628	14.0	9.15	2.15
15634	17.0	9.69	2.42
15638	19.0	10.85	2.70
15644	22.0	14.00	2.70
15648	24.0	14.25	2.63
15651	27.0	16.26	3.84
15656	32.0	19.80	4.80
15660	36.0	20.25	5.37





ITEM NO.	DIMENSIONS		
	TIP SIZE	LONG ARM (INCH)	SHORT ARM (INCH)
BRIGHT HEX-L® KEYS - INCH SIZES / SHORT SERIES			
16103	.050	1.66	0.53
16104	1/16	1.75	0.56
16105	5/64	1.88	0.61
16106	3/32	2.00	0.66
16107	7/64	2.12	0.70
16108	1/8	2.25	0.75
16109	9/64	2.38	0.80
16110	5/32	2.50	0.84
16112	3/16	2.75	0.94
16114	7/32	3.00	1.03
16116	1/4	3.25	1.12
16120	5/16	3.75	1.25
16124	3/8	4.25	1.38
16128	7/16	4.75	1.50
16132	1/2	5.25	1.63
BRIGHT HEX-L® KEYS - INCH SIZES / LONG SERIES			
16203	.050	2.84	0.53
16204	1/16	3.00	0.56
16205	5/64	3.19	0.61
16206	3/32	3.38	0.66
16207	7/64	3.56	0.70
16208	1/8	3.75	0.75
16209	9/64	3.94	0.80
16210	5/32	4.12	0.84
16212	3/16	4.50	0.94
16214	7/32	4.88	1.03
16216	1/4	5.25	1.12
16220	5/16	6.00	1.25
16224	3/8	6.75	1.38
16228	7/16	7.50	1.50
16232	1/2	8.25	1.63

ITEM NO.	DIMENSIONS		
	TIP SIZE	LONG ARM (INCH)	SHORT ARM (INCH)
BRIGHT HEX-L® KEYS - METRIC SIZES / SHORT SERIES			
16503	1.5	1.73	0.53
16504	2.0	1.93	0.61
16505	2.5	2.15	0.69
16506	3.0	2.42	0.75
16508	4.0	2.68	0.94
16510	5.0	3.08	1.06
16512	6.0	3.46	1.22
16514	7.0	3.65	1.38
16516	8.0	3.84	1.38
16518	9.0	4.07	1.54
16520	10.0	4.29	1.54
16522	11.0	4.75	1.50
16524	12.0	4.80	1.73
BRIGHT HEX-L® KEYS - METRIC SIZES / LONG SERIES			
16603	1.5	3.03	0.53
16604	2.0	3.19	0.61
16605	2.5	3.48	0.69
16606	3.0	3.88	0.75
16608	4.0	4.09	0.94
16610	5.0	4.57	1.06
16612	6.0	5.43	1.22
16614	7.0	6.20	1.38
16616	8.0	6.20	1.38
16618	9.0	6.58	1.54
16620	10.0	6.58	1.54
16622	11.0	7.50	1.50
16624	12.0	8.23	1.73

NEW "Bright" Hex-L® Keys from Eklind! Our new Bright series has been added to Eklind's Hex-L® Key family. These keys are manufactured from the same high quality standards that are consistent with Eklind's entire line of Hex Key Products.





INDIVIDUAL TORX® L-KEYS



Eklind
INDIVIDUAL TORX® L-KEYS

ITEM NO.	DIMENSIONS		
	TIP SIZE	LONG ARM (INCH)	SHORT ARM (INCH)
TORX® L-KEYS / SHORT SERIES			
15805	T5	1.54	0.46
15806	T6	1.59	0.46
15807	T7	1.64	0.51
15808	T8	1.74	0.56
15809	T9	1.88	0.61
15810	T10	2.00	0.66
15815	T15	2.13	0.71
15820	T20	2.25	0.75
15825	T25	2.38	0.80
15827	T27	2.50	0.85
15830	T30	2.75	0.94
15840	T40	3.00	1.03
15845	T45	3.25	1.13
15850	T50	3.75	1.25
15855	T55	4.25	1.38
15860	T60	5.25	1.63
BRIGHT TORX® L-KEYS / SHORT SERIES			
16810	T10	2.00	0.66
16815	T15	2.13	0.71
16820	T20	2.25	0.75
16825	T25	2.38	0.80
16827	T27	2.50	0.85
16830	T30	2.75	0.94
16840	T40	3.00	1.03
16845	T45	3.25	1.13
16850	T50	3.75	1.25
16855	T55	4.25	1.38
TAMPER RESISTANT TORX® KEYS / LONG SERIES			
15706	T6	2.77	0.46
15707	T7	2.82	0.51
15708	T8	2.99	0.56
15709	T9	3.19	0.61
15710	T10	3.38	0.66
15715	T15	3.57	0.71
15720	T20	3.75	0.75
15725	T25	3.94	0.80
15727	T27	4.13	0.85
15730	T30	4.50	0.94
15740	T40	4.88	1.03
15745	T45	5.25	1.13
15750	T50	6.00	1.25
15755	T55	6.75	1.38
15760	T60	8.25	1.63

NEW!



ITEM NO.	DIMENSIONS		
	TIP SIZE	LONG ARM (INCH)	SHORT ARM (INCH)
TORX® L-KEYS / LONG SERIES			
15905	T5	2.72	0.46
15906	T6	2.77	0.46
15907	T7	2.82	0.51
15908	T8	2.99	0.56
15909	T9	3.19	0.61
15910	T10	3.38	0.66
15915	T15	3.57	0.71
15920	T20	3.75	0.75
15925	T25	3.94	0.80
15927	T27	4.13	0.85
15930	T30	4.50	0.94
15940	T40	4.88	1.03
15945	T45	5.25	1.13
15950	T50	6.00	1.25
15955	T55	6.75	1.38
15960	T60	8.25	1.63
BRIGHT TORX® L-KEYS / LONG SERIES			
16910	T10	3.38	0.66
16915	T15	3.57	0.71
16920	T20	3.75	0.75
16925	T25	3.94	0.80
16927	T27	4.13	0.85
16930	T30	4.50	0.94
16940	T40	4.88	1.03
16945	T45	5.25	1.13
16950	T50	6.00	1.25
16955	T55	6.75	1.38
BALL TORX® L-KEYS / LONG SERIES			
15006	T6	2.77	0.46
15007	T7	2.82	0.51
15008	T8	2.99	0.56
15009	T9	3.19	0.61
15010	T10	3.38	0.66
15015	T15	3.57	0.71
15020	T20	3.75	0.75
15025	T25	3.94	0.80
15027	T27	4.13	0.85
15030	T30	4.50	0.94
15040	T40	4.88	1.03
15045	T45	5.25	1.13
15050	T50	6.00	1.25
15055	T55	6.75	1.38
15060	T60	8.25	1.63

NEW "Bright" Torx® L-Key Products from Eklind!

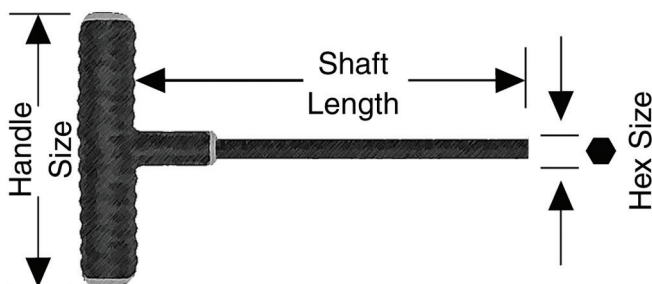
TORX® tools drive all TORX®, TORX PLUS® and "star" fasteners. TORX® and TORX PLUS® are registered trademarks of Acument Intellectual Properties, LLC.

Eklind® INDIVIDUAL POWER-T™ KEYS



ITEM NO.	DIMENSIONS		
	TIP SIZE	HANDLE WIDTH (INCH)	SHAFT LENGTH (INCH)
POWER-T™ TORX® KEYS / 6" SERIES			
68606	T6	3	6
68607	T7	3	6
68608	T8	3	6
68609	T9	3	6
68610	T10	3	6
68615	T15	3	6
68620	T20	3	6
68625	T25	3	6
68627	T27	4	6
68630	T30	4	6
68640	T40	4	6
68645	T45	5	6
68650	T50	5	6
POWER-T™ BALL-HEX KEYS - INCH SIZES / 9" SERIES			
61805	5/64	2	9
61806	3/32	2	9
61807	7/64	2	9
61808	1/8	3	9
61809	9/64	3	9
61810	5/32	3	9
61812	3/16	4	9
61814	7/32	4	9
61816	1/4	4	9
61820	5/16	5	9
61824	3/8	5	9
POWER-T™ BALL-HEX KEYS - METRIC SIZES / 9" SERIES			
64820	2.0	2	9
64825	2.5	2	9
64830	3.0	3	9
64840	4.0	3	9
64850	5.0	4	9
64860	6.0	4	9
64870	7.0	5	9
64880	8.0	5	9
64885	9.0	5	9
64890	10.0	5	9

ITEM NO.	DIMENSIONS		
	TIP SIZE	HANDLE WIDTH (INCH)	SHAFT LENGTH (INCH)
POWER-T™ HEX KEYS - INCH SIZES / 6" SERIES			
61605	5/64	3	6
61606	3/32	3	6
61607	7/64	3	6
61608	1/8	3	6
61609	9/64	3	6
61610	5/32	3	6
61612	3/16	4	6
61614	7/32	4	6
61616	1/4	4	6
61620	5/16	5	6
61624	3/8	5	6
POWER-T™ HEX KEYS - INCH SIZES / 9" SERIES			
61905	5/64	3	9
61906	3/32	3	9
61907	7/64	3	9
61908	1/8	3	9
61909	9/64	3	9
61910	5/32	3	9
61912	3/16	4	9
61914	7/32	4	9
61916	1/4	4	9
61920	5/16	5	9
61924	3/8	5	9
POWER-T™ HEX KEYS - METRIC SIZES / 6" SERIES			
64620	2.0	3	6
64625	2.5	3	6
64630	3.0	3	6
64640	4.0	3	6
64650	5.0	4	6
64660	6.0	4	6
64670	7.0	5	6
64680	8.0	5	6
64685	9.0	5	6
64690	10.0	5	6
POWER-T™ HEX KEYS - METRIC SIZES / 9" SERIES			
64920	2.0	3	9
64925	2.5	3	9
64930	3.0	3	9
64940	4.0	3	9
64950	5.0	4	9
64960	6.0	4	9
64970	7.0	5	9
64980	8.0	5	9
64985	9.0	5	9
64990	10.0	5	9



TORX® tools drive all TORX®, TORX PLUS® and "star" fasteners. TORX® and TORX PLUS® are registered trademarks of Acument Intellectual Properties, LLC.



INDIVIDUAL HEX T-KEYS **Eklind**



Eklind
INDIVIDUAL HEX T-KEYS

ITEM NO.	DIMENSIONS		
	TIP SIZE	HANDLE WIDTH (INCH)	SHAFT LENGTH (INCH)
CUSHION GRIP HEX T-KEYS - INCH SIZES / 6" SERIES			
51605	5/64	3	6
51606	3/32	3	6
51607	7/64	3	6
51608	1/8	3	6
51609	9/64	3	6
51610	5/32	3	6
51612	3/16	4	6
51614	7/32	4	6
51616	1/4	4	6
51620	5/16	6	6
51624	3/8	6	6
51628	7/16	6	6
51632	1/2	6	6
CUSHION GRIP HEX T-KEYS - INCH SIZES / 9" SERIES			
51905	5/64	3	9
51906	3/32	3	9
51907	7/64	3	9
51908	1/8	3	9
51909	9/64	3	9
51910	5/32	3	9
51912	3/16	4	9
51914	7/32	4	9
51916	1/4	4	9
51920	5/16	6	9
51924	3/8	6	9
51928	7/16	6	9
51932	1/2	6	9
CUSHION GRIP HEX T-KEYS - METRIC SIZES / 6" SERIES			
54620	2.0	3	6
54625	2.5	3	6
54630	3.0	3	6
54640	4.0	3	6
54650	5.0	4	6
54660	6.0	4	6
54680	8.0	6	6
54690	10.0	6	6
54691	11.0	6	6
54692	12.0	6	6
CUSHION GRIP HEX T-KEYS - METRIC SIZES / 9" SERIES			
54920	2.0	3	9
54925	2.5	3	9
54930	3.0	3	9
54940	4.0	3	9
54950	5.0	4	9
54960	6.0	4	9
54980	8.0	6	9
54990	10.0	6	9
54991	11.0	6	9
54992	12.0	6	9



ITEM NO.	DIMENSIONS		
	TIP SIZE	HANDLE WIDTH (INCH)	SHAFT LENGTH (INCH)
STANDARD GRIP HEX T-KEYS - INCH SIZES / 3" SERIES			
31305	5/64	3	3
31306	3/32	3	3
31307	7/64	3	3
31308	1/8	3	3
31309	9/64	3	3
31310	5/32	3	3
31312	3/16	4	3
31314	7/32	4	3
31316	1/4	4	3
31320	5/16	6	3
31324	3/8	6	3
STANDARD GRIP HEX T-KEYS - INCH SIZES / 6" SERIES			
31605	5/64	3	6
31606	3/32	3	6
31607	7/64	3	6
31608	1/8	3	6
31609	9/64	3	6
31610	5/32	3	6
31612	3/16	4	6
31614	7/32	4	6
31616	1/4	4	6
31620	5/16	6	6
31624	3/8	6	6
STANDARD GRIP HEX T-KEYS - INCH SIZES / 9" SERIES			
31905	5/64	3	9
31906	3/32	3	9
31907	7/64	3	9
31908	1/8	3	9
31909	9/64	3	9
31910	5/32	3	9
31912	3/16	4	9
31914	7/32	4	9
31916	1/4	4	9
31920	5/16	6	9
31924	3/8	6	9
STANDARD GRIP HEX T-KEYS - METRIC SIZES / 6" SERIES			
34620	2.0	3	6
34625	2.5	3	6
34630	3.0	3	6
34640	4.0	3	6
34650	5.0	4	6
34660	6.0	4	6
34680	8.0	6	6
34690	10.0	6	6
STANDARD GRIP HEX T-KEYS - METRIC SIZES / 9" SERIES			
34920	2.0	3	9
34925	2.5	3	9
34930	3.0	3	9
34940	4.0	3	9
34950	5.0	4	9
34960	6.0	4	9
34980	8.0	6	9
34990	10.0	6	9



ITEM NO.	DESCRIPTION		
	TIP STYLE	COLOR	TIP SIZE
92301	Hex	Red	.028"
92302	Hex	Red	.035"
92303	Hex	Red	.050"
92304	Hex	Red	1/16"
92305	Hex	Red	5/64"
92306	Hex	Red	3/32"
92307	Hex	Red	7/64"
92308	Hex	Red	1/8"
92309	Hex	Red	9/64"
92310	Hex	Red	5/32"
92407	Hex	Blue	0.7MM
92409	Hex	Blue	0.9MM
92413	Hex	Blue	1.3MM
92415	Hex	Blue	1.5MM
92420	Hex	Blue	2.0MM
92425	Hex	Blue	2.5MM
92430	Hex	Blue	3.0MM
92440	Hex	Blue	4.0MM
92502	Ball Hex	Red	.035"
92503	Ball Hex	Red	.050"
92504	Ball Hex	Red	1/16"
92505	Ball Hex	Red	5/64"
92506	Ball Hex	Red	3/32"
92507	Ball Hex	Red	7/64"
92508	Ball Hex	Red	1/8"
92509	Ball Hex	Red	9/64"
92510	Ball Hex	Red	5/32"
92609	Ball Hex	Blue	0.9MM
92613	Ball Hex	Blue	1.3MM
92615	Ball Hex	Blue	1.5MM
92620	Ball Hex	Blue	2.0MM
92625	Ball Hex	Blue	2.5MM
92630	Ball Hex	Blue	3.0MM
92640	Ball Hex	Blue	4.0MM



ITEM NO.	DESCRIPTION		
	TIP STYLE	COLOR	TIP SIZE
92008	Slotted	Yellow	0.8MM
92010	Slotted	Yellow	1.0MM
92012	Slotted	Yellow	1.2MM
92015	Slotted	Yellow	1.5MM
92018	Slotted	Yellow	1.8MM
92020	Slotted	Yellow	2.0MM
92025	Slotted	Yellow	2.5MM
92030	Slotted	Yellow	3.0MM
92035	Slotted	Yellow	3.5MM
92040	Slotted	Yellow	4.0MM
92100	PoziDriv	Yellow	#0
92101	PoziDriv	Yellow	#1
92108	Phillips	Yellow	#000
92109	Phillips	Yellow	#00
92110	Phillips	Yellow	#0
92111	Phillips	Yellow	#1
92203	TORX®	Green	T3
92204	TORX®	Green	T4
92205	TORX®	Green	T5
92206	TORX®	Green	T6
92207	TORX®	Green	T7
92208	TORX®	Green	T8
92209	TORX®	Green	T9
92210	TORX®	Green	T10
92215	TORX®	Green	T15
92220	TORX®	Green	T20





INDIVIDUAL BALL-HEX DRIVERS™

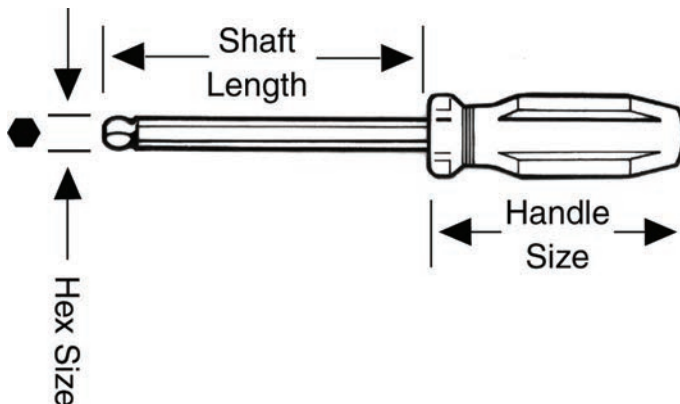


Eklind INDIVIDUAL BALL-HEX-DRIVERS™

ITEM NO.	DIMENSIONS		
	TIP SIZE	HANDLE SIZE	SHAFT LENGTH (INCH)
BALL-HEX SCREWDRIVERS / INCH SIZES			
91103	.050	P	3.0
91104	1/16	P	3.0
91105	5/64	P	3.0
91106	3/32	P	3.0
91107	7/64	P	3.0
91108	1/8	S	5.4
91109	9/64	S	5.4
91110	5/32	M	5.6
91112	3/16	M	5.6
91114	7/32	M	5.6
91116	1/4	L	5.8
91120	5/16	L	5.8
91124	3/8	L	5.8
91128	7/16	L	5.8
91132	1/2	L	5.8
BALL-HEX SCREWDRIVERS / METRIC SIZES			
91602	1.3	P	3.0
91603	1.5	P	3.0
91604	2.0	P	3.0
91605	2.5	S	5.4
91606	3.0	S	5.4
91608	4.0	M	5.4
91610	5.0	M	5.4
91612	6.0	L	5.6
91616	8.0	L	5.6
91620	10.0	L	5.6
91624	12.0	L	5.8



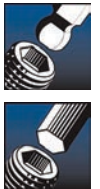
ITEM NO.	DIMENSIONS		
	WIDTH	HEIGHT	DEPTH
UNIVERSAL HEX-KEY STAND			
11111	7.50	6.00	5.50



Our Universal Hex-Key Stand stand will accommodate a wide variety of Eklind products; Inch, Metric and Torx®. They can be attached to a wall, to a bench or to each other.



ITEM NO	MODELS																										
	HEX SIZE	LENGTH	20511	20811	20812	20911	20912	20519	20719	20919	25611	25911	25912	25519	25919	21151	21171	21172	21158	21159	25161	25171	25172	25159	25169		
REPLACEMENT KEYS / FOLD UP INCH SETS																											
24031	.050	1.8		•			•						•														
24041	1/16	1.9		•									•														
24051	5/64	2.0		•		•	•					•	•														
24061	3/32	2.1		•		•	•					•	•														
28406	3/32	3.7			•																						
24071	7/64	2.3		•		•	•					•	•														
28407	7/64	3.8			•																						
24081	1/8	2.4		•		•	•					•	•														
28408	1/8	3.9			•																						
24091	9/64	2.6		•		•	•					•	•														
28409	9/64	4.1			•																						
24101	5/32	2.7		•		•	•					•	•														
28410	5/32	4.2			•																						
24121	3/16	2.9						•					•														
24122	3/16	3.3	•			•					•	•															
28412	3/16	4.7			•																						
24142	7/32	3.5	•			•					•	•															
28414	7/32	4.8			•																						
24162	1/4	3.7	•			•					•	•															
28416	1/4	5.0			•																						
25202	5/16	4.8	•								•																
25242	3/8	5.1	•								•																
REPLACEMENT KEYS - FOLD-UP INCH SETS / BALL SERIES																											
26041	1/16	1.9							•																		
26051	5/64	2.0							•	•					•												
26061	3/32	2.1							•	•					•												
26071	7/64	2.3							•	•					•												
26081	1/8	2.4							•	•					•												
26091	9/64	2.6							•	•					•												
26101	5/32	2.7							•	•					•												
26122	3/16	3.3						•		•					•												
26142	7/32	3.5						•		•					•												
26162	1/4	3.7						•		•					•												
26202	5/16	4.8						•							•												
26242	3/8	5.1						•							•												
REPLACEMENT KEYS / FOLD-UP METRIC SETS																											
29015	1.5	1.8																									
29020	2.0	2.0																									
29025	2.5	2.2																									
29030	3.0	2.4																									
29103	3.0	3.3																									
29040	4.0	2.6																									
29104	4.0	3.5																									
29050	5.0	3.1																									
29105	5.0	3.8																									
29060	6.0	3.3																									
29116	6.0	3.8																									
29106	6.0	4.0																									
29080	8.0	4.1																									
29108	8.0	4.8																									
29110	10.0	5.1																									
REPLACEMENT KEYS - FOLD-UP METRIC SETS / BALL SERIES																											
27015	1.5	1.8																									
27020	2.0	2.0																									
27025	2.5	2.2																									
27030	3.0	2.4																									
27040	4.0	2.6																									
27104	4.0	3.5																									
27105	5.0	3.8																									
27106	6.0	4.0																									
27108	8.0	4.8																									
27110	10.0	5.1																									





REPLACEMENT KEYS / FOLD-UP SETS



Eklind
REPLACEMENT PARTS

ITEM NO.	MODELS											
	HEX SIZE	LENGTH	22451	22461	22571	22572	22651	25461	25570	25581	25582	25651
REPLACEMENT KEYS - FOLD-UP TORX® SETS												
23061	T6	1.7				★					★	
23071	T7	1.8				★					★	
23081	T8	2.0				★			★		★	
23092	T9	2.1				★					★	
23010	T10	2.7							★			
23101	T10	2.7			★					★		
23102	T10	2.4				★					★	
23015	T15	3.0							★			
23151	T15	3.0		★	★			★		★		
23152	T15	2.5				★					★	
23020	T20	3.2							★			
23201	T20	3.2			★					★		
23202	T20	2.8				★						
23025	T25	3.4							★			
23251	T25	3.4			★					★		
23027	T27	3.5							★			
23271	T27	3.5			★					★		
23030	T30	3.7							★			
23301	T30	3.7			★					★		
23040	T40	4.0							★			
23401	T40	3.9			★					★		
REPLACEMENT KEYS - FOLD-UP INCH SCREWDRIVER SETS												
27120	1/8 FB	2.4	✘	✘								
27180	3/16 FB	2.7	✘	✘			✘	✘				✘
27252	1/4 FB	3.2	✘	✘				✘				
27181	#1 PB	3.1	✘	✘			✘	✘				✘
27182	AWL	2.6	✘	✘				✘				
29040	4MM	2.6					●					●
29050	5MM	3.1					●					●
29060	6MM	3.3					●					●



REPLACEMENT PARTS / MOLDED HOLDERS

ITEM NO.	MODELS																									
	SERIES	NO. OF HOLES	10007	10018	10107	10111	10113	10207	10211	10213	10507	10509	10607	10609	10707	10807	10907	13207	13211	13212	13213	13607	13609			
REPLACEMENT HOLDERS - HEX-L® KEY SETS																										
19018	Inch	18		●																						
19107	Inch	7		●	●			●											●							
19111	Inch	11				●			●											●						
19113	Inch	13				●				●											●	●				
19507	Metric	7									●		●										●			
19509	Metric	9										●		●										●		
19807	Torx®	7	★												★	★	★									



REPLACEMENT L-KEY METAL BOXES

ITEM NO.	DESCRIPTION
REPLACEMENT METAL BOXES FOR L-KEYS	
19518	Holds Up To 18 Short Series L-Keys (Inch, Metric or Torx®)
19618	Holds Up To 18 Long Series L-Keys (Inch, Metric or Torx®)





Eklind® SCREW CHARTS



Eklind
SCREW CHARTS

INCH SIZES								
Hex Size	CAP SCREWS					Set Screws	Shoulder Screws	Pressure Plug
	Socket Head 1936	Socket Head 1960	Flat Head	Button Head	Low Head			
.028						0		
.035			0	0		1, 2		
.050	0, 1	0	1, 2	1, 2	4	3, 4		
1/16	2	1	3, 4	3, 4	5, 6	5, 6		
5/64	3, 4	2, 3	5, 6	5, 6	8	8		
3/32	5, 6	4, 5	8	8	10	10		
7/64		6						
1/8	8		10	10	1/4	1/4	1/4	
9/64	10	8						
5/32	1/4	10	1/4	1/4	5/16	5/16	5/16	1/16
3/16	1/4	1/4	5/16	5/16	3/8	3/8	3/8	1/8
7/32	5/16		3/8	3/8	7/16	7/16		
1/4		5/16	7/16		1/2	1/2	1/2	1/4
5/16	3/8, 7/16	3/8	1/2	1/2	5/8	5/8	5/8	3/8
3/8	1/2	7/16, 1/2	5/8	5/8		3/4	3/4	1/2
7/16		9/16						
1/2	5/8	5/8	3/4			7/8	1	
9/16	3/4, 7/8		7/8			1, 1-1/8		3/4
5/8	1	3/4	1			1-1/4, 1-3/8	1-1/4	1
3/4	1-1/8, 1-1/4, 1-3/8	7/8, 1	1-1/8			1-1/2		1-1/4
7/8		1-1/8, 1-1/4	1-1/4, 1-3/8				1-1/2	
1	1-1/2	1-3/8, 1-1/2	1-1/2			1-3/4, 2	1-3/4	1-1/2, 2
1-1/4		1-3/4					2	
1-1/2		2						
1-3/4		2-1/4, 2-1/2						
2		2-3/4						

METRIC SIZES						
Hex Size	CAP SCREWS				Set Screws	Shoulder Screws
	Socket Head	Flat Head	Button Head	Low Head		
.07					1.4, 1.6, 1.8	
.09					2, 2.3	
1.3	1.4				2.5, 2.6	
1.5	1.6, 2				3	
2	2.5	3	3		4	
2.5	3	4	4		5	
3	4	5	5	4	6	5
4	5	6	6	5	8	6
5	6	8	8	6	10	8
6	8	10	10	8	12, 14	10
8	10	12	12	10	16	12
10	12	14, 16	14, 16	12	18, 20	16
12	14	18, 20	18, 20	14	22, 24	20
14	16, 18	22, 24	22, 24	16		
17	20, 22			20, 22		
19	24, 27			24		

TORX® SIZES				
Torx® Size	CAP SCREWS			Set Screws
	Socket Head	Flat Head	Button Head	
T6				M3
T7				#6
T8			#4	#8, M4
T9		#4		
T10	#4, #5, M3	#5, M3	#6, M3	#10, M5
T15	#6	#6	#8	
T20		#8, M4	M4	1/4, M6
T25	#8, M4	#10, M5	#10, M5	
T27	#10, M5		1/4	5/16, M8
T30	1/4, M6	1/4, M6	M6	3/8
T40		5/16, M8	5/16, M8	M10
T45	5/16, M8	3/8	3/8	1/2, M12
T50	3/8, M10	M10	M10	M14
T55	M12	5/8, M12	1/2, M12	M16
T60	M14	3/4, M16	5/8, M16	M20

Eklind Tool Company
 11040 King Street • Franklin Park, IL 60131-1432
 Phone: 800.373.1140 • Fax: 800.373.1108
 Email: sales@eklindtool.net • www.eklindtool.com