

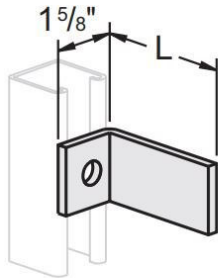


G-STRUT 4100 13th Street SW, Canton OH 44710  
 Phone: 866.997.8788 – Fax: 330.477.0626  
[www.gregorystrut.com](http://www.gregorystrut.com)

G3061, G3062, G3063, G3064, G301, G302, G304, G3381, G3382, G3383, G3031, G3032, G3033

90 Degree Angle Fittings

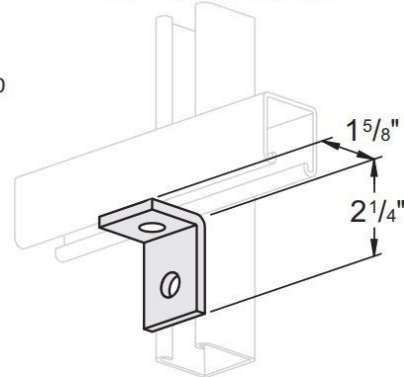
1 HOLE CORNER ANGLE



PART #	SIZE (L)	CARTON QTY.	LBS./100pcs
G3061	1-5/8" x 3-7/8"	25	48
G3062	1-5/8" x 5-7/8"	25	83
G3063	1-5/8" x 7-7/8"	25	105
G3065	1-7/8" x 3-7/8"	25	130

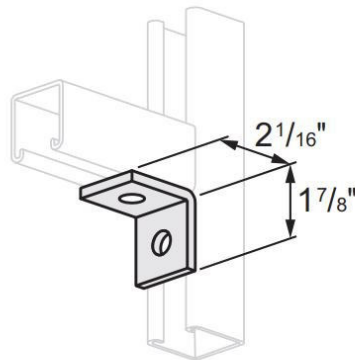
2 HOLE CORNER ANGLE

**G301**  
 25/CTN  
 33 LBS/100



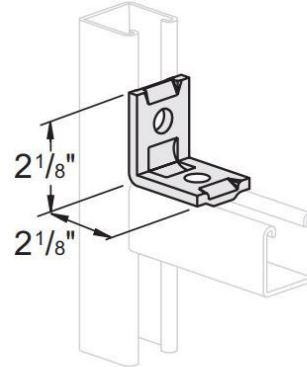
2 HOLE CONNECTION ANGLE

**G302**  
 50/CTN  
 35 LBS/100

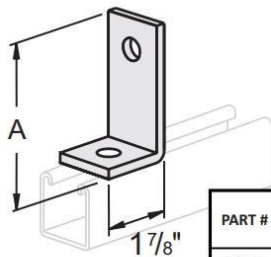


2 HOLE NO-TWIST CORNER ANGLE

**G304**  
 50/CTN  
 37 LBS/100

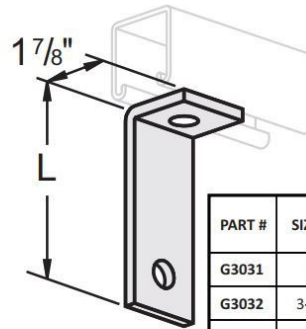


2 HOLE OFFSET ANGLE



PART #	SIZE (L)	CARTON QTY.	LBS./100pcs
G3381	3"	25	48
G3382	3-1/2"	25	53
G3383	4"	25	61

2 HOLE CORNER ANGLE



PART #	SIZE (L)	CARTON QTY.	LBS./100pcs
G3031	3"	50	49
G3032	3-1/2"	50	54
G3033	4"	50	61

\* MATERIAL IS 1-5/8" WIDE x 1/4" THICK UNLESS SPECIFIED • HOLES ARE 9/16" DIAMETER UNLESS SPECIFIED \*

PROJECT INFORMATION	APPROVAL STAMP
Project:	Notes:
Address:	
Contractor:	
Engineer:	
Date:	
Approved <input type="checkbox"/> Approved as Noted <input type="checkbox"/> Not Approved <input type="checkbox"/>	