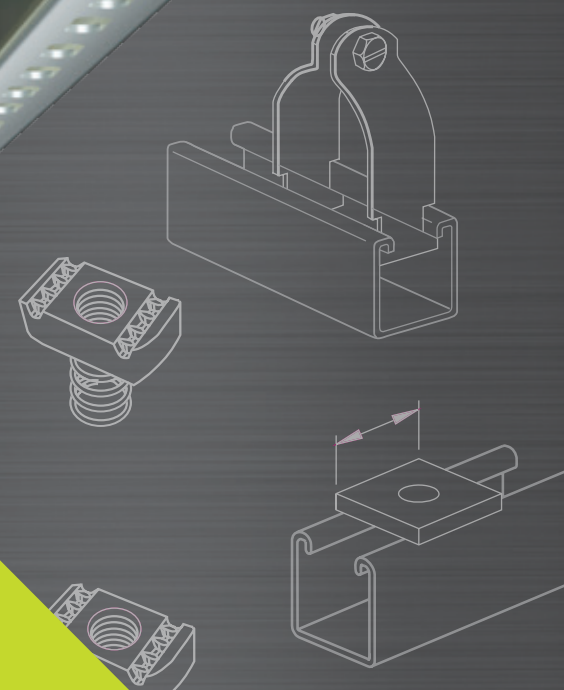
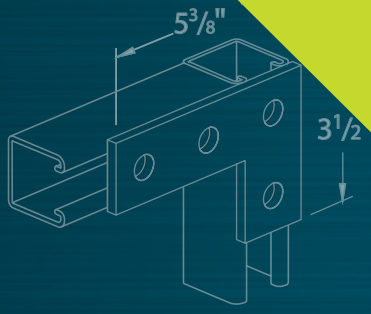




METAL FRAMING CHANNEL & ACCESSORIES



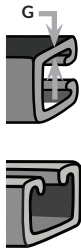


5 QUESTIONS TO ASK —

WHEN SELECTING THE RIGHT G-STRUT® CHANNEL

1

GAUGE AND DEPTH



What minimum gauge (material thickness) and depth (profile size) are required for the job?

12 Gauge (.097)

- 1 5/8" x 13/16" D
- 1 5/8" x 7/8" D
- 1 5/8" x 1" D

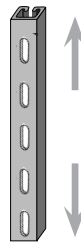
14 Gauge (.071)

- 1 5/8" x 13/16" D
- 1 5/8" x 15/8" D

- 1 5/8" x 13/8" D
- 1 5/8" x 15/8" D
- 1 5/8" x 2 7/16" D
- 1 5/8" x 3 1/4" D

2

LENGTH

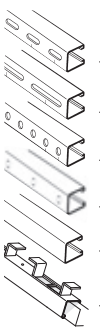


What channel length will best serve our end use?

- **Standard 10'**
(Shorter runs for easy handling)
- **Standard 20'**
(Typical for longer runs)
- **6'8"** (Typical for commercial joists distance)
- **Custom manufactured-to-length**
any size 4" to 24'

3

PERFORATION

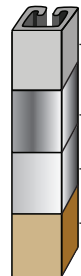


What "hole pattern" (if any) will best serve the job function?

- **Oval Slot (OS)** (Half slot) [9/16" x 11/8" x 2" on ctr.]
- **Long Slot (LS)** (Elongated slot) [13/32" x 3" x 4" on ctr.]
- **Round Hole (H)** [9/16" Diam x 1 7/8" on ctr.]
- **Knock Out (KO)** [7/8" Diam x 6" on ctr.]
- **Solid** (No perforation)
- **Continuous concrete insert**

4

MATERIAL



What "substrate" will best serve the job function?

- **Steel**
(Carbon steel, structural grade, 33,000 min yield)
- **Stainless steel** [Grade 304 or 316]
- **Aluminum**
- **Fiberglass**

5

FINISH

What type of finish or coating will best serve the construction?



Pre-galvanized (Continuous galvanized)

- G90 zinc coating weight for cost-effective long-term galvanic and barrier corrosion protection

Hot-dipped galvanized

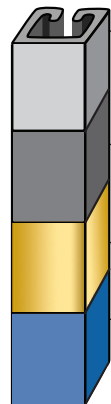
- (HDG – after fabrication, batch dip) where aqueous or exterior applications require greater corrosion protection

Powder coat (Green)

- Powder coated, heat cured, topical coating (custom colors also available)

PVC coated (May PVC coat over plain or galvanized)

- Heavy PVC coat for extended barrier protection or cosmetic effects



Galvannealed

- Paintable pre-galvanized material requires no pre-treatment. Easily spray or dry fall painted post-installation

Plain

- Untreated, "plain" steel with no topical/barrier coating

Yellow zinc (Gold)

- Yellow zinc electro galv.

PVC coated (May PVC coat over plain or galvanized)

- Heavy PVC coat for extended barrier protection or cosmetic effects



SECTIONS

- i INTRODUCTION
- 1 STRUT CHANNELS
- 2 HARDWARE
- 3 FITTINGS & ACCESSORIES
- 4 CLAMPS & PIPE SUPPORTS
- 5 BEAM CLAMPS
- 6 CONCRETE INSERTS & END CAPS
- 7 ROOFTOP SUPPORT BLOCKS
- 8 SEISMIC COMPONENTS
- 9 ENGINEERING DATA
- 10 CROSS REFERENCE CHARTS
- 11 INDEX



CONTENTS

SECTION i – INTRODUCTION	6
Finishes	7
Profile Styles	8
Ordering Information	9
Terms & Conditions	10
SECTION 1 – STRUT CHANNELS	11
Sizes	12
Combinations	13
Complete Strut Channel Product Listing	14
Slotted Angle	23
SECTION 2 – HARDWARE	25
Channel Nuts	26
Miscellaneous Hardware	28
Threaded Rod	29
SECTION 3 – FITTINGS & ACCESSORIES	31
Flat Plate Fittings	32
Angle Fittings	36
Wing Fittings	44
Z Angle Fittings	48
Splice Channel Fittings	49
U Fittings	50
Clevis Fittings	51
Hangers & Miscellaneous Fittings	52
Pipe Roller & Trolley Hardware	53
Post Bases	54
Bracket Fittings	56
Shelf Brackets	59
Brace Fittings	61
SECTION 4 – CLAMPS & PIPE SUPPORTS	63
Conduit Clamps	64
Cushion Clamps	66
Pipe Clamps	68
E-Z Clamps	70
SECTION 5 – BEAM CLAMPS	71
Beam Clamps	72
U-Bolts & U-Bolt Beam Clamps	75
SECTION 6 – CONCRETE INSERTS & END CAPS	77
Concrete Inserts	78
End Caps & Closure Strips	79
SECTION 7 – ROOFTOP SUPPORT BLOCKS	81
100 Series	82
200 Series	83
300 Series	84
SECTION 8 – SEISMIC COMPONENTS	85
Specialty Channel Nuts	86
Flat Plate Fittings	87
Angle Fittings	88
SECTION 9 – ENGINEERING DATA	89
Channel Engineering Data	90
SECTION 10 – CROSS REFERENCE CHARTS	127
Strut Industry Product Codes	128
SECTION 11 – INDEX	197
11 A – By Category	198
11 B – Alphabetical	202



MISSION STATEMENT

INDUSTRY LEADERSHIP



BE OUR CUSTOMER'S SUPPLIER OF CHOICE



PROVIDE WORLD-CLASS SERVICE & SUPPORT





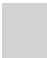







SUPERIOR QUALITY



CONTINUOUS IMPROVEMENT

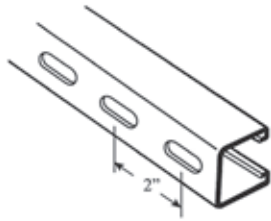
Finishes

Available coatings/material types for **G-STRUT®** channel and accessories.

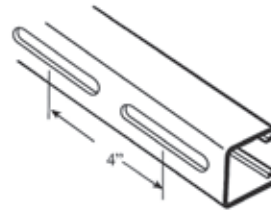
-  **PRE-GALVANIZING:**
A zinc coating is applied by hot-dipping the steel coil on Gregory's specialty continuous galvanizing line. The channel is roll-formed, cut and/or punched as specified in conformance to ASTM 1011 for hot-rolled steel and ASTM 653 for hot-dipped pre-galvanizing, with a G-90 coating (0.90 ounces of zinc per square foot of steel).
-  **HOT-DIPPED GALVANIZED:**
The material is zinc coated after fabrication providing an extra heavy total product protection on all surfaces. The channel is pretreated, pickled, and then dipped into tanks of molten zinc, creating an electrolyzed bond. HDG's thicker zinc coating provides additional corrosion resistance for highly corrosive exterior applications. **G-STRUT®** hot-dipped galvanized conforms with ASTM A-123 specification.
-  **GALVANNEALED:**
A zinc coating is applied by pre-galvanizing the steel coil. The coil then passes through an additional heat induction process, creating a matted gray finish with an alloy coating that enhances paintability. Galvannealed **G-STRUT®** is easily painted post-installation without costly pre-treatment or priming.
-  **ELECTRO-GALVANIZED:**
Electro-galvanized, or "zinc plated," bonds the steel and .5 mils of zinc via an electrolysis process. Electro-galvanizing is most commonly applied to standard **G-STRUT®** fittings and hardware.
-  **POWDER COAT (GREEN):**
(Custom colors also available) Powder coating electrostatically applies a uniform dry polyester powder to the metal surface. The applied powder is then "oven-baked" to a durable painted finish.
-  **ALUMINUM:**
G-STRUT® channel is available in extruded Aluminum Alloy suitable for a variety of applications.
-  **PLAIN:**
A plain finish is pickled, hot-rolled carbon steel with a light oil finish. There is no protection against red rust.
-  **YELLOW ZINC (GOLD):**
Also an electro-galvanized finish, the pickled, fabricated part is immersed in a yellow zinc bath and electrostatically bonds to form a protective yellow, zinc finish.
-  **PVC COATED:**
A polyvinyl chloride (PVC) plastic coating is bonded to the channel or accessory by immersing the part in fluid PVC tanks. PVC can be applied over galvanized or plain steel.
-  **STAINLESS:**
G-STRUT® stainless steel channel is supplied in standard 304 Grade. Grade 316 is also available, typically for more corrosive environments.

Profile Styles

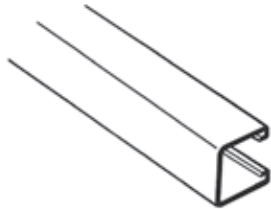
G-STRUT® can be ordered in six basic styles: solid, round holes, oval slots, long slots, knock out, and back-to-back (B2B). The perforated types are denoted in the catalog numbers as 'OS,' 'LS,' 'H' and 'KO'. B2B is designated with an 'A' suffix. Catalog numbers without these perforation suffixes are solid. Please note hole dimensions on each drawing below. Centerline dimensions are important when ordering **G-STRUT®** cut to length.



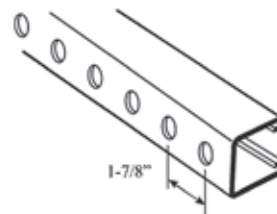
Oval Slot (OS)
9/16" by 11/8" by 2" on center



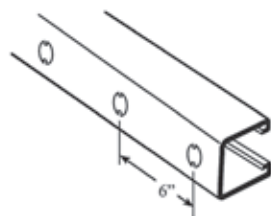
Long Slot (LS)
13/32" by 3" by 4" on center



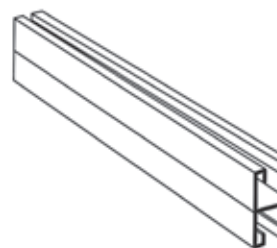
Solid
No perforation



Hole (H)
9/16" diameter by 17/8" on center



Knock Out (KO)
7/8" diameter by 6" on center



Back-to-Back (A)
Spot welded, available with perforation

Ordering Information

Understanding strut channel product codes

	SIZE	HOLE/PERF	LENGTH	FINISH
G	582	OS	1 (10')	LEAVE BLANK FOR P.G.
	584	LS	2 (20')	POP
	132	H		YZ
	134	KO		HDG
	712	A		PVC
	812	LEAVE BLANK FOR SOLID		SS
	102			AL
	382			
	782			

MOST COMMON CHANNEL

G582OS1

*NOTE: Most commonly ordered channel. **G582OS1** (1 5/8" x 1 5/8", 12G, Oval Slot, 10', Pre-Galv.).*



GREGORY INDUSTRIES TERMS AND CONDITIONS OF SALE

1. *These terms and conditions ("TCA") shall, along with the quantities and price reflected in any material quote or order ("Quote") or ("Order"), constitute the complete understanding between Gregory Industries, Inc. ("Gregory") and Purchaser and shall supersede any and all prior terms and conditions, negotiations or other written and oral agreements. Unless specifically noted otherwise, in the event of any ambiguity between this TCA and any Order or Quote, the TCA shall govern.*
2. *This TCA shall be deemed accepted and agreed upon in full upon either the written acceptance of the TCA, the receipt and acceptance of any goods delivered pursuant to the TCA or the payment for any goods shipped under the TCA whichever is the first to occur.*
3. *Gregory hereby excludes, rejects and disavows any and all non-conforming or differing terms, conditions or qualifications contained within any Purchaser order, quote or any other form of confirmatory memorandum, regardless of when or in what order such non-conforming or differing terms were delivered or offered to Gregory.*
4. *Each and every term set forth herein shall be deemed material and germane to the transaction. This TCA and any Order or Quote may not be modified by Purchaser in any respect and may only be modified by a writing signed by Gregory. This TCA and any Quote or Order shall not be subject to either oral modification or modification by conduct.*
5. *All payments are due within 30 days of the date of invoice ("Net 30") unless an extended term is agreed upon in a writing signed by a Gregory authorized representative. All payments beyond Net 30 shall be subject to compounding interest charges of .75%/month. Gregory reserves the right to suspend all performance if payment is later than Net 30 and also reserves the right to accept late payments at its sole discretion. No acceptance of any payment later than Net 30 shall be deemed to waive any right or future rights that Gregory may otherwise have to cancel or suspend its future performance.*
6. *Any Quote shall expire and be deemed revoked 30 calendar days after delivery of the Quote, unless otherwise specified, if there is no act of acceptance as such is defined in paragraph 2 herein. Delivery shall be deemed made upon the transmission by Gregory, by any means, of a Quote.*
7. *Any Quote which is delivered to Gregory and accepted by Gregory may only be changed or altered with the express written consent of Gregory.*
8. *All prices quoted herein are subject to change at the sole discretion of Gregory based upon the prevailing steel and related supplies markets. Gregory shall provide purchaser three (3) business days' written notice of any such price change.*
9. *This agreement shall be deemed made in Stark County, Ohio and any dispute herein shall be governed by the laws of the state of Ohio and the venue for any action or proceeding arising in any respect between Gregory and Purchaser shall be in either the state or federal court situated in Stark County, Ohio. Should any portion of this paragraph be deemed unenforceable then only such portion deemed unenforceable shall be struck.*
10. *In the event that Gregory has to employ attorneys to either enforce its rights, defend its rights or to seek payment or any other remedy available at law or equity, then Purchaser agrees to pay for all attorneys' fees and costs expended by Gregory in any such action regardless of the outcome.*
11. *This TCA and the underlying materials quote shall be subject to termination at the convenience of Gregory without any further obligation whatsoever on the part of Gregory.*
12. *In the event of any breach or allegation of breach on the part of Gregory, the only damages for which Gregory may be held responsible shall be the cost of any cover (as defined by the Uniform Commercial Code) for a period of thirty (30) calendar days from the alleged date of breach. Gregory hereby disclaims and Purchaser hereby waives any and all other damages whether arising under contract, tort or statute including but not limited to damages arising from alleged delay, non-delivery, lost profits, lost commercial expectancy, reputation or any other type or theory of damages.*
13. *Gregory reserves the right, at any point in time to request information concerning bonding, information related to mechanics' lien rights, or information related to the financial strength of Purchaser. Such information, if requested by Gregory, shall be provided by Purchaser within three (3) business days of any request. Failure to provide such information shall constitute a material breach.*
14. *Upon any act of breach, Gregory shall have the right to repossess product delivered, sue for all amounts due including attorneys fees as provided herein, suspend any further performance and or cancel any and all existing agreements without any further obligation by Gregory.*
15. *Gregory agrees to deliver the agreed product within the time specified in the Quote or Order or as soon as is commercially reasonable. Unless otherwise specifically noted, all deliveries are F.O.B. at Gregory loading docks. If shipped freight prepaid, the charge for freight will be added to the invoice. Risk of loss or damage shall be borne by Purchaser and claims made directly with carrier.*
16. *Gregory hereby disclaims any implied or express warranty or merchantability or fitness for an intended or any particular purpose. Gregory represents that the product shall reasonably conform to applicable federal and state specifications and Gregory will provide necessary material test reports representing such.*
17. *Any and all claims for damaged, defective, nonconforming material or claims of shortages shall be made in writing to Gregory within 24 hours of delivery to Purchaser or such claims are deemed to be affirmatively waived.*
18. *Should any term or condition set forth herein be deemed by a court of competent jurisdiction to be unenforceable, then all other terms shall survive such ruling and shall be deemed to govern the parties' relationship.*

SECTION 1

G-STRUT® STRUT CHANNELS

GENERAL:

G-STRUT® channels are continuous cold-roll-formed steel profiles, produced in either solid or perforated back sections.

LENGTHS:

Standard lengths are 10' and 20' p/m 1/8". Custom lengths are available in virtually all sizes - shear cut on the mill. Consult factory for details.

FINISHES:

G-STRUT® is available in 10 finishes/materials covering the full spectrum of metal framing requirements. (*see section i*)

ASTM REFERENCES:

G-STRUT® conforms to ASTM 1011 for hot rolled steel, ASTM 653 for hot dip pre-galvanized steel, and ASTM 123 for Hot Dipped Batch (after fabrication) Galvanized.

LOADING DATA:

G-STRUT® conforms to industry standards for structural metal-formed, metal framing strut steel products. (*see section 9*)

G-STRUT® Channel Sizes

	» G812	1 5/8" x 3 1/4"	12 g Page 14
	» G712	1 5/8" x 2 7/16"	12 g Page 15
	» G582	1 5/8" x 1 5/8"	12 g Page 16
	» G584	1 5/8" x 1 5/8"	14 g Page 17
	» G382	1 5/8" x 1 3/8"	12 g Page 18
	» G102	1 5/8" x 1"	12 g Page 19
	» G782	1 5/8" x 7/8"	12 g Page 20
	» G132	1 5/8" x 13/16"	12 g Page 21
	» G134	1 5/8" x 13/16"	14 g Page 22

NOTE: The three most commonly ordered sizes are: G582, G134, and G584.

Welded Combinations

(Available in all channel sizes)

SUFFIX 'A'



SUFFIX 'B'



SUFFIX 'C'



SUFFIX 'D'



SUFFIX 'E'



SUFFIX 'F'



SUFFIX 'G'



SUFFIX 'WH'



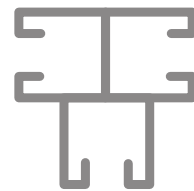
SUFFIX 'I'



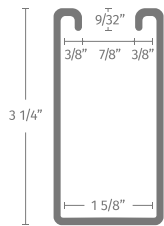
SUFFIX 'J'



SUFFIX 'K'



NOTE: Consult factory for special welds not illustrated.



G812

3 1/4" X 1 5/8" – 12 GAUGE

G812OS (OVAL-SLOT)
9/16" X 1 1/8" – 2" ON CTR.

G812LS (LONG-SLOT)
13/32" X 3" – 4" ON CTR.

G812H (HOLES)
9/16" DIAM. – 1 7/8" ON CTR.

G812A (BACK-TO-BACK)
WELDED

G812KO (KNOCK-OUT)
7/8" DIAM. – 6" ON CTR.

PRE-GALVANIZED

CATALOG NO.	DESCRIPTION (BUNDLE QUANTITY – 300 FT. • WT./100 FT. – 280 LBS.)	SIZE
G8121	SOLID, 10 FT.	3 1/4" X 1 5/8", PRE-GALV., 12 G
G8122	SOLID, 20 FT.	3 1/4" X 1 5/8", PRE-GALV., 12 G
G812H1	WITH 9/16" HOLE, 10 FT.	3 1/4" X 1 5/8", PRE-GALV., 12 G
G812H2	WITH 9/16" HOLE, 20 FT.	3 1/4" X 1 5/8", PRE-GALV., 12 G
G812OS1	WITH 9/16" X 1 1/8" SLOT, 10 FT.	3 1/4" X 1 5/8", PRE-GALV., 12 G
G812OS2	WITH 9/16" X 1 1/8" SLOT, 20 FT.	3 1/4" X 1 5/8", PRE-GALV., 12 G
G812LS1	WITH 13/32" X 3" SLOT, 10 FT.	3 1/4" X 1 5/8", PRE-GALV., 12 G
G812LS2	WITH 13/32" X 3" SLOT, 20 FT.	3 1/4" X 1 5/8", PRE-GALV., 12 G
G812A1*	BACK-TO-BACK WELDED, 10 FT. (WT./100 FT.=626 LBS.)	6 1/2" X 1 5/8", PRE-GALV., 12 G
G812A2*	BACK-TO-BACK WELDED, 20 FT. (WT./100 FT.=626 LBS.)	6 1/2" X 1 5/8", PRE-GALV., 12 G
G812K01	WITH 7/8" KNOCK-OUT, 10 FT.	3 1/4" X 1 5/8", PRE-GALV., 12 G
G812K02	WITH 7/8" KNOCK-OUT, 20 FT.	3 1/4" X 1 5/8", PRE-GALV., 12 G

GREEN


CATALOG NO.	DESCRIPTION (BUNDLE QUANTITY – 300 FT. • WT./100 FT. – 280 LBS.)	SIZE
G8121POP	SOLID, 10 FT.	3 1/4" X 1 5/8", GREEN, 12 G
G8122POP	SOLID, 20 FT.	3 1/4" X 1 5/8", GREEN, 12 G
G812H1POP	WITH 9/16" HOLE, 10 FT.	3 1/4" X 1 5/8", GREEN, 12 G
G812H2POP	WITH 9/16" HOLE, 20 FT.	3 1/4" X 1 5/8", GREEN, 12 G
G812OS1POP	WITH 9/16" X 1 1/8" SLOT, 10 FT.	3 1/4" X 1 5/8", GREEN, 12 G
G812OS2POP	WITH 9/16" X 1 1/8" SLOT, 20 FT.	3 1/4" X 1 5/8", GREEN, 12 G
G812LS1POP	WITH 13/32" X 3" SLOT, 10 FT.	3 1/4" X 1 5/8", GREEN, 12 G
G812LS2POP	WITH 13/32" X 3" SLOT, 20 FT.	3 1/4" X 1 5/8", GREEN, 12 G
G812A1POP*	BACK-TO-BACK WELDED, 10 FT. (WT./100 FT.=626 LBS.)	6 1/2" X 1 5/8", GREEN, 12 G
G812A2POP*	BACK-TO-BACK WELDED, 20 FT. (WT./100 FT.=626 LBS.)	6 1/2" X 1 5/8", GREEN, 12 G
G812K01POP	WITH 7/8" KNOCK-OUT, 10 FT.	3 1/4" X 1 5/8", GREEN, 12 G
G812K02POP	WITH 7/8" KNOCK-OUT, 20 FT.	3 1/4" X 1 5/8", GREEN, 12 G

SPECIAL FINISHES/TYPES


CATALOG NO.*	DESCRIPTION (CONSULT FACTORY FOR BUNDLE QUANTITIES & WEIGHTS)	SIZE
G812YZ	YELLOW ZINC (GOLD)	3 1/4" X 1 5/8", 12 G
G812PO	PLAIN	3 1/4" X 1 5/8", 12 G
G812HDG	HOT-DIPPED GALVANIZED	3 1/4" X 1 5/8", 12 G
G812PVC	PVC COATED	3 1/4" X 1 5/8", 12 G

NOTE: *Designate OS, LS, or H if perforation desired. Consult factory for special lengths, custom colors, and special finishes.


G7120S (OVAL-SLOT)
9/16" X 1 1/8" – 2" ON CTR.




G712LS (LONG-SLOT)
13/32" X 3" – 4" ON CTR.




G712H (HOLES)
9/16" DIAM. – 1 7/8" ON CTR.



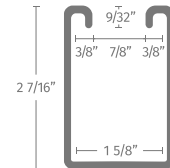
G712A (BACK-TO-BACK)
WELDED



G712KO (KNOCK-OUT)
7/8" DIAM. – 6" ON CTR.



» **G712**
2 7/16" X 1 5/8" – 12 GAUGE



PRE-GALVANIZED

CATALOG NO.	DESCRIPTION (BUNDLE QUANTITY – 400 FT. • WT./100 FT. – 225 LBS.)	SIZE
G7121	SOLID, 10 FT.	2 7/16" X 1 5/8", PRE-GALV., 12 G
G7122	SOLID, 20 FT.	2 7/16" X 1 5/8", PRE-GALV., 12 G
G712H1	WITH 9/16" HOLE, 10 FT.	2 7/16" X 1 5/8", PRE-GALV., 12 G
G712H2	WITH 9/16" HOLE, 20 FT.	2 7/16" X 1 5/8", PRE-GALV., 12 G
G7120S1	WITH 9/16" X 1 1/8" SLOT, 10 FT.	2 7/16" X 1 5/8", PRE-GALV., 12 G
G7120S2	WITH 9/16" X 1 1/8" SLOT, 20 FT.	2 7/16" X 1 5/8", PRE-GALV., 12 G
G712LS1	WITH 13/32" X 3" SLOT, 10 FT.	2 7/16" X 1 5/8", PRE-GALV., 12 G
G712LS2	WITH 13/32" X 3" SLOT, 20 FT.	2 7/16" X 1 5/8", PRE-GALV., 12 G
G712A1*	BACK-TO-BACK WELDED, 10 FT. (WT./100 FT.=488 LBS.)	4 7/8" X 1 5/8", PRE-GALV., 12 G
G712A2*	BACK-TO-BACK WELDED, 20 FT. (WT./100 FT.=488 LBS.)	4 7/8" X 1 5/8", PRE-GALV., 12 G
G712K01	WITH 7/8" KNOCK-OUT, 10 FT.	2 7/16" X 1 5/8", PRE-GALV., 12 G
G712K02	WITH 7/8" KNOCK-OUT, 20 FT.	2 7/16" X 1 5/8", PRE-GALV., 12 G

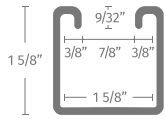
GREEN

CATALOG NO.	DESCRIPTION (BUNDLE QUANTITY – 400 FT. • WT./100 FT. – 225 LBS.)	SIZE
G7121POP	SOLID, 10 FT.	2 7/16" X 1 5/8", GREEN, 12 G
G7122POP	SOLID, 20 FT.	2 7/16" X 1 5/8", GREEN, 12 G
G712H1POP	WITH 9/16" HOLE, 10 FT.	2 7/16" X 1 5/8", GREEN, 12 G
G712H2POP	WITH 9/16" HOLE, 20 FT.	2 7/16" X 1 5/8", GREEN, 12 G
G7120S1POP	WITH 9/16" X 1 1/8" SLOT, 10 FT.	2 7/16" X 1 5/8", GREEN, 12 G
G7120S2POP	WITH 9/16" X 1 1/8" SLOT, 20 FT.	2 7/16" X 1 5/8", GREEN, 12 G
G712LS1POP	WITH 13/32" X 3" SLOT, 10 FT.	2 7/16" X 1 5/8", GREEN, 12 G
G712LS2POP	WITH 13/32" X 3" SLOT, 20 FT.	2 7/16" X 1 5/8", GREEN, 12 G
G712A1POP*	BACK-TO-BACK WELDED, 10 FT. (WT./100 FT.=488 LBS.)	4 7/8" X 1 5/8", GREEN, 12 G
G712A2POP*	BACK-TO-BACK WELDED, 20 FT. (WT./100 FT.=488 LBS.)	4 7/8" X 1 5/8", GREEN, 12 G
G712K01POP	WITH 7/8" KNOCK-OUT, 10 FT.	2 7/16" X 1 5/8", GREEN, 12 G
G712K02POP	WITH 7/8" KNOCK-OUT, 20 FT.	2 7/16" X 1 5/8", GREEN, 12 G

SPECIAL FINISHES/TYPES

CATALOG NO.*	DESCRIPTION (CONSULT FACTORY FOR BUNDLE QUANTITIES & WEIGHTS)	SIZE
G712YZ	YELLOW ZINC (GOLD)	2 7/16" X 1 5/8", 12 G
G712GN	GALVANNEALED	2 7/16" X 1 5/8", 12 G
G712PO	PLAIN	2 7/16" X 1 5/8", 12 G
G712HDG	HOT-DIPPED GALVANIZED	2 7/16" X 1 5/8", 12 G
G712PVC	PVC COATED	2 7/16" X 1 5/8", 12 G

NOTE: *Designate OS, LS, or H if perforation desired. Consult factory for special lengths, custom colors, and special finishes.



G582

1 5/8" X 1 5/8" – 12 GAUGE



G582OS (OVAL-SLOT)
9/16" X 1 1/8" – 2" ON CTR.



G582LS (LONG-SLOT)
13/32" X 3" – 4" ON CTR.



G582H (HOLES)
9/16" DIAM. – 1 7/8" ON CTR.



G582A (BACK-TO-BACK)
WELDED



G582KO (KNOCK-OUT)
7/8" DIAM. – 6" ON CTR.

PRE-GALVANIZED

CATALOG NO.	DESCRIPTION (BUNDLE QUANTITY – 500 FT. • WT./100 FT. – 170 LBS.)	SIZE
G5821	SOLID, 10 FT.	1 5/8" X 1 5/8", PRE-GALV., 12 G
G5822	SOLID, 20 FT.	1 5/8" X 1 5/8", PRE-GALV., 12 G
G582H1	WITH 9/16" HOLE, 10 FT.	1 5/8" X 1 5/8", PRE-GALV., 12 G
G582H2	WITH 9/16" HOLE, 20 FT.	1 5/8" X 1 5/8", PRE-GALV., 12 G
G582OS1	WITH 9/16" X 1 1/8" SLOT, 10 FT.	1 5/8" X 1 5/8", PRE-GALV., 12 G
G582OS2	WITH 9/16" X 1 1/8" SLOT, 20 FT.	1 5/8" X 1 5/8", PRE-GALV., 12 G
G582LS1	WITH 13/32" X 3" SLOT, 10 FT.	1 5/8" X 1 5/8", PRE-GALV., 12 G
G582LS2	WITH 13/32" X 3" SLOT, 20 FT.	1 5/8" X 1 5/8", PRE-GALV., 12 G
G582A1*	BACK-TO-BACK WELDED, 10 FT. (WT./100 FT.=360 LBS.)	3 1/4" X 1 5/8", PRE-GALV., 12 G
G582A2*	BACK-TO-BACK WELDED, 20 FT. (WT./100 FT.=360 LBS.)	3 1/4" X 1 5/8", PRE-GALV., 12 G
G582K01	WITH 7/8" KNOCK-OUT, 10 FT.	1 5/8" X 1 5/8", PRE-GALV., 12 G
G582K02	WITH 7/8" KNOCK-OUT, 20 FT.	1 5/8" X 1 5/8", PRE-GALV., 12 G

GREEN


CATALOG NO.	DESCRIPTION (BUNDLE QUANTITY – 500 FT. • WT./100 FT. – 180 LBS.)	SIZE
G5821POP	SOLID, 10 FT.	1 5/8" X 1 5/8", GREEN, 12 G
G5822POP	SOLID, 20 FT.	1 5/8" X 1 5/8", GREEN, 12 G
G582H1POP	WITH 9/16" HOLE, 10 FT.	1 5/8" X 1 5/8", GREEN, 12 G
G582H2POP	WITH 9/16" HOLE, 20 FT.	1 5/8" X 1 5/8", GREEN, 12 G
G582OS1POP	WITH 9/16" X 1 1/8" SLOT, 10 FT.	1 5/8" X 1 5/8", GREEN, 12 G
G582OS2POP	WITH 9/16" X 1 1/8" SLOT, 20 FT.	1 5/8" X 1 5/8", GREEN, 12 G
G582LS1POP	WITH 13/32" X 3" SLOT, 10 FT.	1 5/8" X 1 5/8", GREEN, 12 G
G582LS2POP	WITH 13/32" X 3" SLOT, 20 FT.	1 5/8" X 1 5/8", GREEN, 12 G
G582A1POP*	BACK-TO-BACK WELDED, 10 FT. (WT./100 FT.=360 LBS.)	3 1/4" X 1 5/8", GREEN, 12 G
G582A2POP*	BACK-TO-BACK WELDED, 20 FT. (WT./100 FT.=360 LBS.)	3 1/4" X 1 5/8", GREEN, 12 G
G582K01POP	WITH 7/8" KNOCK-OUT, 10 FT.	1 5/8" X 1 5/8", GREEN, 12 G
G582K02POP	WITH 7/8" KNOCK-OUT, 20 FT.	1 5/8" X 1 5/8", GREEN, 12 G

SPECIAL FINISHES/TYPES


CATALOG NO.*	DESCRIPTION (CONSULT FACTORY FOR BUNDLE QUANTITIES & WEIGHTS)	SIZE
G582YZ	YELLOW ZINC (GOLD)	1 5/8" X 1 5/8", 12 G
G582AL	ALUMINUM EXTRUDED	1 5/8" X 1 5/8", 12 G
G582GN	GALVANNEALED	1 5/8" X 1 5/8", 12 G
G582PO	PLAIN	1 5/8" X 1 5/8", 12 G
G582HDG	HOT-DIPPED GALVANIZED	1 5/8" X 1 5/8", 12 G
G582SS	STAINLESS STEEL (GRADE 304 OR 316)	1 5/8" X 1 5/8", 12 G
G582PVC	PVC COATED	1 5/8" X 1 5/8", 12 G

NOTE: *Designate OS, LS, or H if perforation desired. Consult factory for special lengths, custom colors, and special finishes.


G584OS (OVAL-SLOT)
9/16" X 1 1/8" - 2" ON CTR.




G584LS (LONG-SLOT)
13/32" X 3" - 4" ON CTR.




G584H (HOLES)
9/16" DIAM. - 17/8" ON CTR.



G584A (BACK-TO-BACK)
WELDED



G584KO (KNOCK-OUT)
7/8" DIAM. - 6" ON CTR.



» **G584**
1 5/8" X 1 5/8" - 14 GAUGE



PRE-GALVANIZED

CATALOG NO.	DESCRIPTION (BUNDLE QUANTITY - 500 FT. • WT./100 FT. - 128 LBS.)	SIZE
G5841	SOLID, 10 FT.	1 5/8" X 1 5/8", PRE-GALV., 14 G
G5842	SOLID, 20 FT.	1 5/8" X 1 5/8", PRE-GALV., 14 G
G584H1	WITH 9/16" HOLE, 10 FT.	1 5/8" X 1 5/8", PRE-GALV., 14 G
G584H2	WITH 9/16" HOLE, 20 FT.	1 5/8" X 1 5/8", PRE-GALV., 14 G
G584OS1	WITH 9/16" X 1 1/8" SLOT, 10 FT.	1 5/8" X 1 5/8", PRE-GALV., 14 G
G584OS2	WITH 9/16" X 1 1/8" SLOT, 20 FT.	1 5/8" X 1 5/8", PRE-GALV., 14 G
G584LS1	WITH 13/32" X 3" SLOT, 10 FT.	1 5/8" X 1 5/8", PRE-GALV., 14 G
G584LS2	WITH 13/32" X 3" SLOT, 20 FT.	1 5/8" X 1 5/8", PRE-GALV., 14 G
G584A1*	BACK-TO-BACK WELDED, 10 FT. (WT./100 FT.=280 LBS.)	3 1/4" X 1 5/8", PRE-GALV., 14 G
G584A2*	BACK-TO-BACK WELDED, 20 FT. (WT./100 FT.=280 LBS.)	3 1/4" X 1 5/8", PRE-GALV., 14 G
G584KO1	WITH 7/8" KNOCK-OUT, 10 FT.	1 5/8" X 1 5/8", PRE-GALV., 14 G
G584KO2	WITH 7/8" KNOCK-OUT, 20 FT.	1 5/8" X 1 5/8", PRE-GALV., 14 G

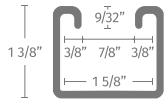
GREEN

CATALOG NO.	DESCRIPTION (BUNDLE QUANTITY - 500 FT. • WT./100 FT. - 140 LBS.)	SIZE
G5841POP	SOLID, 10 FT.	1 5/8" X 1 5/8", GREEN, 14 G
G5842POP	SOLID, 20 FT.	1 5/8" X 1 5/8", GREEN, 14 G
G584H1POP	WITH 9/16" HOLE, 10 FT.	1 5/8" X 1 5/8", GREEN, 14 G
G584H2POP	WITH 9/16" HOLE, 20 FT.	1 5/8" X 1 5/8", GREEN, 14 G
G584OS1POP	WITH 9/16" X 1 1/8" SLOT, 10 FT.	1 5/8" X 1 5/8", GREEN, 14 G
G584OS2POP	WITH 9/16" X 1 1/8" SLOT, 20 FT.	1 5/8" X 1 5/8", GREEN, 14 G
G584LS1POP	WITH 13/32" X 3" SLOT, 10 FT.	1 5/8" X 1 5/8", GREEN, 14 G
G584LS2POP	WITH 13/32" X 3" SLOT, 20 FT.	1 5/8" X 1 5/8", GREEN, 14 G
G584A1POP*	BACK-TO-BACK WELDED, 10 FT. (WT./100 FT.=280 LBS.)	3 1/4" X 1 5/8", GREEN, 14 G
G584A2POP*	BACK-TO-BACK WELDED, 20 FT. (WT./100 FT.=280 LBS.)	3 1/4" X 1 5/8", GREEN, 14 G
G584KO1POP	WITH 7/8" KNOCK-OUT, 10 FT.	1 5/8" X 1 5/8", GREEN, 14 G
G584KO2POP	WITH 7/8" KNOCK-OUT, 20 FT.	1 5/8" X 1 5/8", GREEN, 14 G

SPECIAL FINISHES/TYPES

CATALOG NO.*	DESCRIPTION (CONSULT FACTORY FOR BUNDLE QUANTITIES & WEIGHTS)	SIZE
G584YZ	YELLOW ZINC (GOLD)	1 5/8" X 1 5/8", 14 G
G584GN	GALVANNEALED	1 5/8" X 1 5/8", 14 G
G584PO	PLAIN	1 5/8" X 1 5/8", 14 G
G584HDG	HOT-DIPPED GALVANIZED	1 5/8" X 1 5/8", 14 G
G584SS	STAINLESS STEEL (GRADE 304 OR 316)	1 5/8" X 1 5/8", 14 G
G584PVC	PVC COATED	1 5/8" X 1 5/8", 14 G

NOTE: *Designate OS, LS, or H if perforation desired. Consult factory for special lengths, custom colors, and special finishes.



G382

1 3/8" X 1 5/8" – 12 GAUGE



G382OS (OVAL-SLOT)
9/16" X 1 1/8" – 2" ON CTR.



G382LS (LONG-SLOT)
13/32" X 3" – 4" ON CTR.



G382H (HOLES)
9/16" DIAM. – 1 7/8" ON CTR.



G382A (BACK-TO-BACK)
WELDED



G382KO (KNOCK-OUT)
7/8" DIAM. – 6" ON CTR.

PRE-GALVANIZED

CATALOG NO.	DESCRIPTION (BUNDLE QUANTITY – 500 FT. • WT./100 FT. – 167 LBS.)	SIZE
G3821	SOLID, 10 FT.	1 3/8" X 1 5/8", PRE-GALV., 12 G
G3822	SOLID, 20 FT.	1 3/8" X 1 5/8", PRE-GALV., 12 G
G382H1	WITH 9/16" HOLE, 10 FT.	1 3/8" X 1 5/8", PRE-GALV., 12 G
G382H2	WITH 9/16" HOLE, 20 FT.	1 3/8" X 1 5/8", PRE-GALV., 12 G
G382OS1	WITH 9/16" X 1 1/8" SLOT, 10 FT.	1 3/8" X 1 5/8", PRE-GALV., 12 G
G382OS2	WITH 9/16" X 1 1/8" SLOT, 20 FT.	1 3/8" X 1 5/8", PRE-GALV., 12 G
G382LS1	WITH 13/32" X 3" SLOT, 10 FT.	1 3/8" X 1 5/8", PRE-GALV., 12 G
G382LS2	WITH 13/32" X 3" SLOT, 20 FT.	1 3/8" X 1 5/8", PRE-GALV., 12 G
G382A1*	BACK-TO-BACK WELDED, 10 FT. (WT./100 FT.=334 LBS.)	2 3/4" X 1 5/8", PRE-GALV., 12 G
G382A2*	BACK-TO-BACK WELDED, 20 FT. (WT./100 FT.=334 LBS.)	2 3/4" X 1 5/8", PRE-GALV., 12 G
G382K01	WITH 7/8" KNOCK-OUT, 10 FT.	1 3/8" X 1 5/8", PRE-GALV., 12 G
G382K02	WITH 7/8" KNOCK-OUT, 20 FT.	1 3/8" X 1 5/8", PRE-GALV., 12 G

GREEN

CATALOG NO.	DESCRIPTION (BUNDLE QUANTITY – 500 FT. • WT./100 FT. – 167 LBS.)	SIZE
G3821POP	SOLID, 10 FT.	1 3/8" X 1 5/8", GREEN, 12 G
G3822POP	SOLID, 20 FT.	1 3/8" X 1 5/8", GREEN, 12 G
G382H1POP	WITH 9/16" HOLE, 10 FT.	1 3/8" X 1 5/8", GREEN, 12 G
G382H2POP	WITH 9/16" HOLE, 20 FT.	1 3/8" X 1 5/8", GREEN, 12 G
G382OS1POP	WITH 9/16" X 1 1/8" SLOT, 10 FT.	1 3/8" X 1 5/8", GREEN, 12 G
G382OS2POP	WITH 9/16" X 1 1/8" SLOT, 20 FT.	1 3/8" X 1 5/8", GREEN, 12 G
G382LS1POP	WITH 13/32" X 3" SLOT, 10 FT.	1 3/8" X 1 5/8", GREEN, 12 G
G382LS2POP	WITH 13/32" X 3" SLOT, 20 FT.	1 3/8" X 1 5/8", GREEN, 12 G
G382A1POP*	BACK-TO-BACK WELDED, 10 FT. (WT./100 FT.=334 LBS.)	2 3/4" X 1 5/8", GREEN, 12 G
G382A2POP*	BACK-TO-BACK WELDED, 20 FT. (WT./100 FT.=334 LBS.)	2 3/4" X 1 5/8", GREEN, 12 G
G382K01POP	WITH 7/8" KNOCK-OUT, 10 FT.	1 3/8" X 1 5/8", GREEN, 12 G
G382K02POP	WITH 7/8" KNOCK-OUT, 20 FT.	1 3/8" X 1 5/8", GREEN, 12 G

SPECIAL FINISHES/TYPES

CATALOG NO.*	DESCRIPTION (CONSULT FACTORY FOR BUNDLE QUANTITIES & WEIGHTS)	SIZE
G382YZ	YELLOW ZINC (GOLD)	1 3/8" X 1 5/8", 12 G
G382GN	GALVANNEALED	1 3/8" X 1 5/8", 12 G
G382PO	PLAIN	1 3/8" X 1 5/8", 12 G
G382HDG	HOT-DIPPED GALVANIZED	1 3/8" X 1 5/8", 12 G
G382PVC	PVC COATED	1 3/8" X 1 5/8", 12 G

NOTE: *Designate OS, LS, or H if perforation desired. Consult factory for special lengths, custom colors, and special finishes.

G1020S (OVAL-SLOT)
9/16" X 1 1/8" - 2" ON CTR.



G102LS (LONG-SLOT)
13/32" X 3" - 4" ON CTR.



G102H (HOLES)
9/16" DIAM. - 17/8" ON CTR.



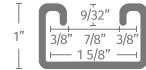
**G102A (BACK-TO-BACK)
WELDED**



G102KO (KNOCK-OUT)
7/8" DIAM. - 6" ON CTR.



» **G102**
1" X 1 5/8" - 12 GAUGE



PRE-GALVANIZED

CATALOG NO.	DESCRIPTION (BUNDLE QUANTITY - 500 FT. • WT./100 FT. - 141 LBS.)	SIZE
G1021	SOLID, 10 FT.	1" X 1 5/8", PRE-GALV., 12 G
G1022	SOLID, 20 FT.	1" X 1 5/8", PRE-GALV., 12 G
G102H1	WITH 9/16" HOLE, 10 FT.	1" X 1 5/8", PRE-GALV., 12 G
G102H2	WITH 9/16" HOLE, 20 FT.	1" X 1 5/8", PRE-GALV., 12 G
G1020S1	WITH 9/16" X 1 1/8" SLOT, 10 FT.	1" X 1 5/8", PRE-GALV., 12 G
G1020S2	WITH 9/16" X 1 1/8" SLOT, 20 FT.	1" X 1 5/8", PRE-GALV., 12 G
G102LS1	WITH 13/32" X 3" SLOT, 10 FT.	1" X 1 5/8", PRE-GALV., 12 G
G102LS2	WITH 13/32" X 3" SLOT, 20 FT.	1" X 1 5/8", PRE-GALV., 12 G
G102A1*	BACK-TO-BACK WELDED, 10 FT. (WT./100 FT.=282 LBS.)	2" X 1 5/8", PRE-GALV., 12 G
G102A2*	BACK-TO-BACK WELDED, 20 FT. (WT./100 FT.=282 LBS.)	2" X 1 5/8", PRE-GALV., 12 G
G102K01	WITH 7/8" KNOCK-OUT, 10 FT.	1" X 1 5/8", PRE-GALV., 12 G
G102K02	WITH 7/8" KNOCK-OUT, 20 FT.	1" X 1 5/8", PRE-GALV., 12 G

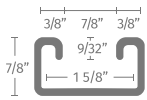
GREEN

CATALOG NO.	DESCRIPTION (BUNDLE QUANTITY - 500 FT. • WT./100 FT. - 141 LBS.)	SIZE
G1021POP	SOLID, 10 FT.	1" X 1 5/8", GREEN, 12 G
G1022POP	SOLID, 20 FT.	1" X 1 5/8", GREEN, 12 G
G102H1POP	WITH 9/16" HOLE, 10 FT.	1" X 1 5/8", GREEN, 12 G
G102H2POP	WITH 9/16" HOLE, 20 FT.	1" X 1 5/8", GREEN, 12 G
G1020S1POP	WITH 9/16" X 1 1/8" SLOT, 10 FT.	1" X 1 5/8", GREEN, 12 G
G1020S2POP	WITH 9/16" X 1 1/8" SLOT, 20 FT.	1" X 1 5/8", GREEN, 12 G
G102LS1POP	WITH 13/32" X 3" SLOT, 10 FT.	1" X 1 5/8", GREEN, 12 G
G102LS2POP	WITH 13/32" X 3" SLOT, 20 FT.	1" X 1 5/8", GREEN, 12 G
G102A1POP*	BACK-TO-BACK WELDED, 10 FT. (WT./100 FT.=282 LBS.)	2" X 1 5/8", GREEN, 12 G
G102A2POP*	BACK-TO-BACK WELDED, 20 FT. (WT./100 FT.=282 LBS.)	2" X 1 5/8", GREEN, 12 G
G102K01POP	WITH 7/8" KNOCK-OUT, 10 FT.	1" X 1 5/8", GREEN, 12 G
G102K02POP	WITH 7/8" KNOCK-OUT, 20 FT.	1" X 1 5/8", GREEN, 12 G

SPECIAL FINISHES/TYPES

CATALOG NO.*	DESCRIPTION (CONSULT FACTORY FOR BUNDLE QUANTITIES & WEIGHTS)	SIZE
G102YZ	YELLOW ZINC (GOLD)	1" X 1 5/8", 12 G
G102GN	GALVANNEALED	1" X 1 5/8", 12 G
G102PO	PLAIN	1" X 1 5/8", 12 G
G102HDG	HOT-DIPPED GALVANIZED	1" X 1 5/8", 12 G
G102PVC	PVC COATED	1" X 1 5/8", 12 G

NOTE: *Designate OS, LS, or H if perforation desired. Consult factory for special lengths, custom colors, and special finishes.



G782

7/8" X 1 5/8" – 12 GAUGE



G782OS (OVAL-SLOT)
9/16" X 1 1/8" – 2" ON CTR.



G782LS (LONG-SLOT)
13/32" X 3" – 4" ON CTR.



G782H (HOLES)
9/16" DIAM. – 1 7/8" ON CTR.



G782A (BACK-TO-BACK)
WELDED



G782KO (KNOCK-OUT)
7/8" DIAM. – 6" ON CTR.

PRE-GALVANIZED

CATALOG NO.	DESCRIPTION (BUNDLE QUANTITY – 500 FT. • WT./100 FT. – 135 LBS.)	SIZE
G7821	SOLID, 10 FT.	7/8" X 1 5/8", PRE-GALV., 12 G
G7822	SOLID, 20 FT.	7/8" X 1 5/8", PRE-GALV., 12 G
G782H1	WITH 9/16" HOLE, 10 FT.	7/8" X 1 5/8", PRE-GALV., 12 G
G782H2	WITH 9/16" HOLE, 20 FT.	7/8" X 1 5/8", PRE-GALV., 12 G
G782OS1	WITH 9/16" X 1 1/8" SLOT, 10 FT.	7/8" X 1 5/8", PRE-GALV., 12 G
G782OS2	WITH 9/16" X 1 1/8" SLOT, 20 FT.	7/8" X 1 5/8", PRE-GALV., 12 G
G782LS1	WITH 13/32" X 3" SLOT, 10 FT.	7/8" X 1 5/8", PRE-GALV., 12 G
G782LS2	WITH 13/32" X 3" SLOT, 20 FT.	7/8" X 1 5/8", PRE-GALV., 12 G
G782A1*	BACK-TO-BACK WELDED, 10 FT. (WT./100 FT.=270 LBS.)	1 3/4" X 1 5/8", PRE-GALV., 12 G
G782A2*	BACK-TO-BACK WELDED, 20 FT. (WT./100 FT.=270 LBS.)	1 3/4" X 1 5/8", PRE-GALV., 12 G
G782K01	WITH 7/8" KNOCK-OUT, 10 FT.	7/8" X 1 5/8", PRE-GALV., 12 G
G782K02	WITH 7/8" KNOCK-OUT, 20 FT.	7/8" X 1 5/8", PRE-GALV., 12 G

GREEN

CATALOG NO.	DESCRIPTION (BUNDLE QUANTITY – 500 FT. • WT./100 FT. – 135 LBS.)	SIZE
G7821POP	SOLID, 10 FT.	7/8" X 1 5/8", GREEN, 12 G
G7822POP	SOLID, 20 FT.	7/8" X 1 5/8", GREEN, 12 G
G782H1POP	WITH 9/16" HOLE, 10 FT.	7/8" X 1 5/8", GREEN, 12 G
G782H2POP	WITH 9/16" HOLE, 20 FT.	7/8" X 1 5/8", GREEN, 12 G
G782OS1POP	WITH 9/16" X 1 1/8" SLOT, 10 FT.	7/8" X 1 5/8", GREEN, 12 G
G782OS2POP	WITH 9/16" X 1 1/8" SLOT, 20 FT.	7/8" X 1 5/8", GREEN, 12 G
G782LS1POP	WITH 13/32" X 3" SLOT, 10 FT.	7/8" X 1 5/8", GREEN, 12 G
G782LS2POP	WITH 13/32" X 3" SLOT, 20 FT.	7/8" X 1 5/8", GREEN, 12 G
G782A1POP*	BACK-TO-BACK WELDED, 10 FT. (WT./100 FT.=270 LBS.)	1 3/4" X 1 5/8", GREEN, 12 G
G782A2POP*	BACK-TO-BACK WELDED, 20 FT. (WT./100 FT.=270 LBS.)	1 3/4" X 1 5/8", GREEN, 12 G
G782K01POP	WITH 7/8" KNOCK-OUT, 10 FT.	7/8" X 1 5/8", GREEN, 12 G
G782K02POP	WITH 7/8" KNOCK-OUT, 20 FT.	7/8" X 1 5/8", GREEN, 12 G

SPECIAL FINISHES/TYPES

CATALOG NO.*	DESCRIPTION (CONSULT FACTORY FOR BUNDLE QUANTITIES & WEIGHTS)	SIZE
G782YZ	YELLOW ZINC (GOLD)	7/8" X 1 5/8", 12 G
G782PO	PLAIN	7/8" X 1 5/8", 12 G
G782HDG	HOT-DIPPED GALVANIZED	7/8" X 1 5/8", 12 G
G782PVC	PVC COATED	7/8" X 1 5/8", 12 G

NOTE: *Designate OS, LS, or H if perforation desired. Consult factory for special lengths, custom colors, and special finishes.

G1320S (OVAL-SLOT)
9/16" X 1 1/8" – 2" ON CTR.



G132LS (LONG-SLOT)
13/32" X 3" – 4" ON CTR.



G132H (HOLES)
9/16" DIAM. – 1 7/8" ON CTR.



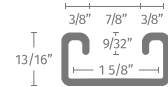
**G132A (BACK-TO-BACK)
WELDED**



G132KO (KNOCK-OUT)
7/8" DIAM. – 6" ON CTR.



» **G132**
13/16" X 1 5/8" – 12 GAUGE



PRE-GALVANIZED

CATALOG NO.	DESCRIPTION (BUNDLE QUANTITY – 500 FT. • WT./100 FT. – 115 LBS.)	SIZE
G1321	SOLID, 10 FT.	13/16" X 1 5/8", PRE-GALV., 12 G
G1322	SOLID, 20 FT.	13/16" X 1 5/8", PRE-GALV., 12 G
G132H1	WITH 9/16" HOLE, 10 FT.	13/16" X 1 5/8", PRE-GALV., 12 G
G132H2	WITH 9/16" HOLE, 20 FT.	13/16" X 1 5/8", PRE-GALV., 12 G
G1320S1	WITH 9/16" X 1 1/8" SLOT, 10 FT.	13/16" X 1 5/8", PRE-GALV., 12 G
G1320S2	WITH 9/16" X 1 1/8" SLOT, 20 FT.	13/16" X 1 5/8", PRE-GALV., 12 G
G132LS1	WITH 13/32" X 3" SLOT, 10 FT.	13/16" X 1 5/8", PRE-GALV., 12 G
G132LS2	WITH 13/32" X 3" SLOT, 20 FT.	13/16" X 1 5/8", PRE-GALV., 12 G
G132A1*	BACK-TO-BACK WELDED, 10 FT. (WT./100 FT.=264 LBS.)	1 5/8" X 1 5/8", PRE-GALV., 12 G
G132A2*	BACK-TO-BACK WELDED, 20 FT. (WT./100 FT.=264 LBS.)	1 5/8" X 1 5/8", PRE-GALV., 12 G
G132K01	WITH 7/8" KNOCK-OUT, 10 FT.	13/16" X 1 5/8", PRE-GALV., 12 G
G132K02	WITH 7/8" KNOCK-OUT, 20 FT.	13/16" X 1 5/8", PRE-GALV., 12 G

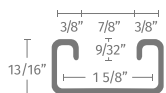
GREEN

CATALOG NO.	DESCRIPTION (BUNDLE QUANTITY – 500 FT. • WT./100 FT. – 115 LBS.)	SIZE
G1321POP	SOLID, 10 FT.	13/16" X 1 5/8", GREEN, 12 G
G1322POP	SOLID, 20 FT.	13/16" X 1 5/8", GREEN, 12 G
G132H1POP	WITH 9/16" HOLE, 10 FT.	13/16" X 1 5/8", GREEN, 12 G
G132H2POP	WITH 9/16" HOLE, 20 FT.	13/16" X 1 5/8", GREEN, 12 G
G1320S1POP	WITH 9/16" X 1 1/8" SLOT, 10 FT.	13/16" X 1 5/8", GREEN, 12 G
G1320S2POP	WITH 9/16" X 1 1/8" SLOT, 20 FT.	13/16" X 1 5/8", GREEN, 12 G
G132LS1POP	WITH 13/32" X 3" SLOT, 10 FT.	13/16" X 1 5/8", GREEN, 12 G
G132LS2POP	WITH 13/32" X 3" SLOT, 20 FT.	13/16" X 1 5/8", GREEN, 12 G
G132A1POP*	BACK-TO-BACK WELDED, 10 FT. (WT./100 FT.=264 LBS.)	1 5/8" X 1 5/8", GREEN, 12 G
G132A2POP*	BACK-TO-BACK WELDED, 20 FT. (WT./100 FT.=264 LBS.)	1 5/8" X 1 5/8", GREEN, 12 G
G132K01POP	WITH 7/8" KNOCK-OUT, 10 FT.	13/16" X 1 5/8", GREEN, 12 G
G132K02POP	WITH 7/8" KNOCK-OUT, 20 FT.	13/16" X 1 5/8", GREEN, 12 G

SPECIAL FINISHES/TYPES

CATALOG NO.*	DESCRIPTION (CONSULT FACTORY FOR BUNDLE QUANTITIES & WEIGHTS)	SIZE
G132YZ	YELLOW ZINC (GOLD)	13/16" X 1 5/8", 12 G
G132GN	GALVANNEALED	13/16" X 1 5/8", 12 G
G132PO	PLAIN	13/16" X 1 5/8", 12 G
G132HDG	HOT-DIPPED GALVANIZED	13/16" X 1 5/8", 12 G
G132PVC	PVC COATED	13/16" X 1 5/8", 12 G

NOTE: *Designate OS, LS, or H if perforation desired. Consult factory for special lengths, custom colors, and special finishes.



G134

13/16" X 1 5/8" – 14 GAUGE



G134OS (OVAL-SLOT)
9/16" X 1 1/8" – 2" ON CTR.



G134LS (LONG-SLOT)
13/32" X 3" – 4" ON CTR.



G134H (HOLES)
9/16" DIAM. – 1 7/8" ON CTR.



G134A (BACK-TO-BACK)
WELDED



G134KO (KNOCK-OUT)
7/8" DIAM. – 6" ON CTR.

PRE-GALVANIZED

CATALOG NO.	DESCRIPTION (BUNDLE QUANTITY – 500 FT. • WT./100 FT. – 87 LBS.)	SIZE
G1341	SOLID, 10 FT.	13/16" X 1 5/8", PRE-GALV., 14 G
G1342	SOLID, 20 FT.	13/16" X 1 5/8", PRE-GALV., 14 G
G134H1	WITH 9/16" HOLE, 10 FT.	13/16" X 1 5/8", PRE-GALV., 14 G
G134H2	WITH 9/16" HOLE, 20 FT.	13/16" X 1 5/8", PRE-GALV., 14 G
G134OS1	WITH 9/16" X 1 1/8" SLOT, 10 FT.	13/16" X 1 5/8", PRE-GALV., 14 G
G134OS2	WITH 9/16" X 1 1/8" SLOT, 20 FT.	13/16" X 1 5/8", PRE-GALV., 14 G
G134LS1	WITH 13/32" X 3" SLOT, 10 FT.	13/16" X 1 5/8", PRE-GALV., 14 G
G134LS2	WITH 13/32" X 3" SLOT, 20 FT.	13/16" X 1 5/8", PRE-GALV., 14 G
G134A1*	BACK-TO-BACK WELDED, 10 FT. (WT./100 FT.=174 LBS.)	1 5/8" X 1 5/8", PRE-GALV., 14 G
G134A2*	BACK-TO-BACK WELDED, 20 FT. (WT./100 FT.=174 LBS.)	1 5/8" X 1 5/8", PRE-GALV., 14 G
G134K01	WITH 7/8" KNOCK-OUT, 10 FT.	13/16" X 1 5/8", PRE-GALV., 14 G
G134K02	WITH 7/8" KNOCK-OUT, 20 FT.	13/16" X 1 5/8", PRE-GALV., 14 G

GREEN

CATALOG NO.	DESCRIPTION (BUNDLE QUANTITY – 500 FT. • WT./100 FT. – 87 LBS.)	SIZE
G1341POP	SOLID, 10 FT.	13/16" X 1 5/8", GREEN, 14 G
G1342POP	SOLID, 20 FT.	13/16" X 1 5/8", GREEN, 14 G
G134H1POP	WITH 9/16" HOLE, 10 FT.	13/16" X 1 5/8", GREEN, 14 G
G134H2POP	WITH 9/16" HOLE, 20 FT.	13/16" X 1 5/8", GREEN, 14 G
G134OS1POP	WITH 9/16" X 1 1/8" SLOT, 10 FT.	13/16" X 1 5/8", GREEN, 14 G
G134OS2POP	WITH 9/16" X 1 1/8" SLOT, 20 FT.	13/16" X 1 5/8", GREEN, 14 G
G134LS1POP	WITH 13/32" X 3" SLOT, 10 FT.	13/16" X 1 5/8", GREEN, 14 G
G134LS2POP	WITH 13/32" X 3" SLOT, 20 FT.	13/16" X 1 5/8", GREEN, 14 G
G134A1POP*	BACK-TO-BACK WELDED, 10 FT. (WT./100 FT.=174 LBS.)	1 5/8" X 1 5/8", GREEN, 14 G
G134A2POP*	BACK-TO-BACK WELDED, 20 FT. (WT./100 FT.=174 LBS.)	1 5/8" X 1 5/8", GREEN, 14 G
G134K01POP	WITH 7/8" KNOCK-OUT, 10 FT.	13/16" X 1 5/8", GREEN, 14 G
G134K02POP	WITH 7/8" KNOCK-OUT, 20 FT.	13/16" X 1 5/8", GREEN, 14 G

SPECIAL FINISHES/TYPES

CATALOG NO.*	DESCRIPTION (CONSULT FACTORY FOR BUNDLE QUANTITIES & WEIGHTS)	SIZE
G134YZ	YELLOW ZINC (GOLD)	13/16" X 1 5/8", 14 G
G134AL	ALUMINUM EXTRUDED	13/16" X 1 5/8", 14 G
G134GN	GALVANNEALED	13/16" X 1 5/8", 14 G
G134PO	PLAIN	13/16" X 1 5/8", 14 G
G134HDG	HOT-DIPPED GALVANIZED	13/16" X 1 5/8", 14 G
G134SS	STAINLESS STEEL (GRADE 304 OR 316)	13/16" X 1 5/8", 14 G
G134PVC	PVC COATED	13/16" X 1 5/8", 14 G

NOTE: *Designate OS, LS, or H if perforation desired. Consult factory for special lengths, custom colors, and special finishes.

SLOTTED ANGLE

G-STRUT® CHANNELS

General

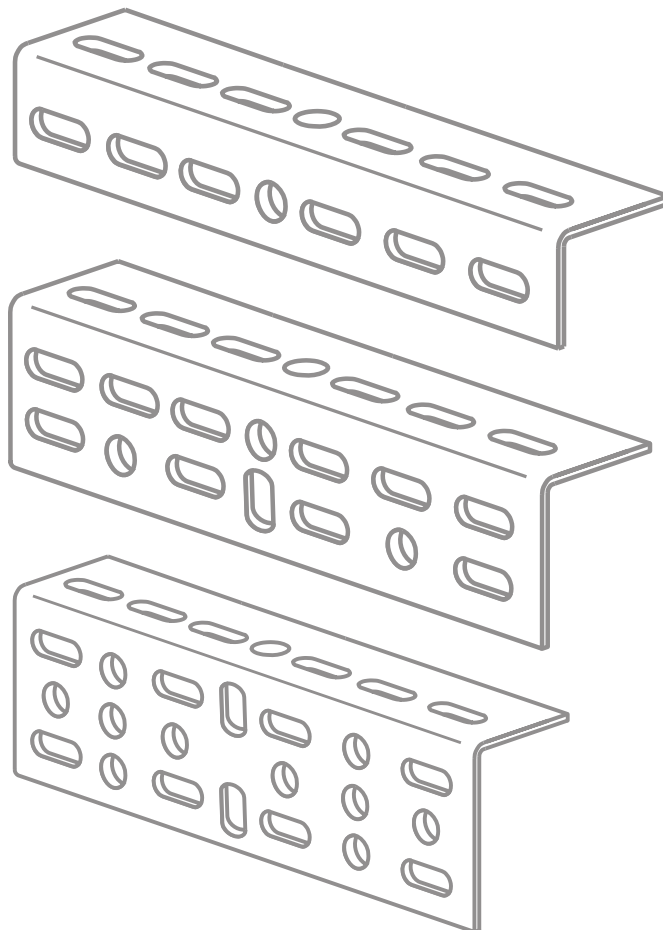
Slotted Angle Strut is available in three different slot configurations.

Length

Slotted Angle Strut is available in 10' and 12' lengths. Consult factory for custom lengths.

Finishes

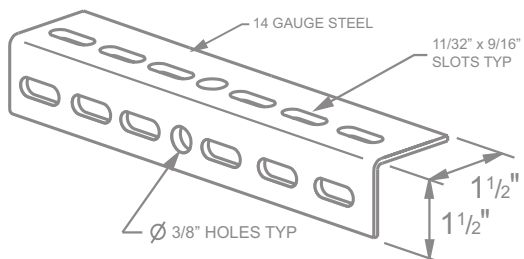
Slotted Angle Strut is pre-galvanized.



SLOTTED ANGLE

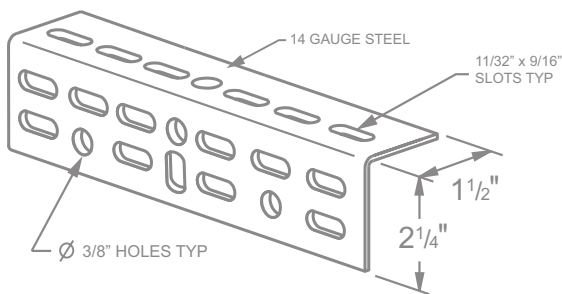
G-STRUT® CHANNELS

STRUT CHANNELS



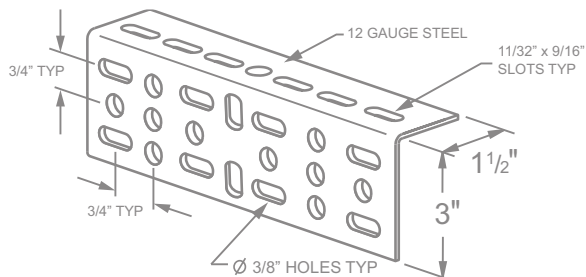
1 1/2" SLOTTED ANGLE

	PART #	LENGTH	BUNDLE QTY.	LBS./ 100 FT.
	G15410GL	10'	100'	80
	G15412GL	12'	120'	80



2 1/4" SLOTTED ANGLE

	PART #	LENGTH	BUNDLE QTY.	LBS./ 100 FT.
	G25410GL	10'	100'	95
	G25412GL	12'	120'	95



3" SLOTTED ANGLE

	PART #	LENGTH	BUNDLE QTY.	LBS./ 100 FT.
	G35210GL	10'	100'	135
	G35212GL	12'	120'	135

NOTE: *Packages contain 10 lengths of angle and 75 nuts and bolts. Custom lengths available.

SECTION 2

G-STRUT® HARDWARE

MATERIAL:

G-STRUT® channel nuts are made of steel conforming to ASTM A575, Grade M1015, 3/8" or thicker.

FINISHES:

G-STRUT® channel nuts and hardware are produced in a standard electro-galvanized finish. Special finishes are available upon request, including stainless, painted, and hot-dipped galvanized.

ORDERING:

Please note hardware description and strut application when placing orders. Minimum order on hardware is equal to carton quantity.

REGULAR CHANNEL NUTS

G-STRUT® HARDWARE



REGULAR CHANNEL NUTS

	THREAD SIZE	THICKNESS	NO SPRING ALL CHANNEL 100 PCS./CTN.	TOP SPRING ALL CHANNEL 100 PCS./CTN.	SHORT SPRING 13/16 CHANNEL 100 PCS./CTN.	REGULAR SPRING 1 5/8 CHANNEL 100 PCS./CTN.	LONG SPRING 3 1/4 CHANNEL 50 PCS./CTN.
	8-32	1/4"	GN832800 6.1 LBS./100 PCS.	GTSN832800 6.4 LBS./100 PCS.	GN832810 6.4 LBS./100 PCS.	GN832820 6.7 LBS./100 PCS.	GN832830 7 LBS./100 PCS.
	10-32	1/4"	GN1032800 5.9 LBS./100 PCS.	GTSN1032800 6.2 LBS./100 PCS.	GN1032810 6.2 LBS./100 PCS.	GN1032820 6.5 LBS./100 PCS.	GN1032830 6.8 LBS./100 PCS.
	10-24	1/4"	GN1024800 5.9 LBS./100 PCS.	GTSN1024800 6.2 LBS./100 PCS.	GN1024810 6.2 LBS./100 PCS.	GN1024820 6.5 LBS./100 PCS.	GN1024830 6.8 LBS./100 PCS.
	1/4-20	1/4"	GN800 6 LBS./100 PCS.	GTSN800 6 LBS./100 PCS.	GN810 7 LBS./100 PCS.	GN820 7 LBS./100 PCS.	GN830 7 LBS./100 PCS.
	3/8-16	3/8"	GN801 9 LBS./100 PCS.	GTSN801 9 LBS./100 PCS.	GN811 9 LBS./100 PCS.	GN821 10 LBS./100 PCS.	GN831 10 LBS./100 PCS.
	1/2-13	3/8"	GN802 9 LBS./100 PCS.	GTSN802 9 LBS./100 PCS.	GN812 9 LBS./100 PCS.	GN822 10 LBS./100 PCS.	GN832 10 LBS./100 PCS.
	1/2-13	1/2"	GN803 12 LBS./100 PCS.			GN823 13 LBS./100 PCS.	GN833 13 LBS./100 PCS.
	5/8-11	7/16"	GN804 13 LBS./100 PCS.			GN824 13 LBS./100 PCS.	GN834 13 LBS./100 PCS.
	3/4-10	7/16"	GN805 13 LBS./100 PCS.			GN825 13 LBS./100 PCS.	GN835 13 LBS./100 PCS.
	5/8-11	3/8"	GN806 13 LBS./100 PCS.		GN814 10 LBS./100 PCS.		
	3/4-10	3/8"	GN807 13 LBS./100 PCS.		GN815 9 LBS./100 PCS.		
	5/16-18	3/8"	GN808 7 LBS./100 PCS.	GTSN808 7 LBS./100 PCS.	GN818 7 LBS./100 PCS.	GN828 7 LBS./100 PCS.	GN838 7 LBS./100 PCS.
	7/8-9	7/16"	GN809 13 LBS./100 PCS.			GN829 13 LBS./100 PCS.	
	M6-1	1/4"	GNM6800 6.6 LBS./100 PCS.		GNM6810 5.5 LBS./100 PCS.	GNM6820 5.8 LBS./100 PCS.	GNM6830 6.1 LBS./100 PCS.
	M8-1.25	1/4"	GNM8800 5.5 LBS./100 PCS.		GNM8810 5.8 LBS./100 PCS.	GNM8820 5.8 LBS./100 PCS.	GNM8830 6.1 LBS./100 PCS.
	M10-1.5	3/8"	GNM10801 7.8 LBS./100 PCS.		GNM10811 8.1 LBS./100 PCS.	GNM10821 8.4 LBS./100 PCS.	GNM10831 8.7 LBS./100 PCS.
	M12-1.75	3/8"	GNM12801 7.4 LBS./100 PCS.		GNM12811 7.7 LBS./100 PCS.	GNM12821 8 LBS./100 PCS.	GNM12831 8.3 LBS./100 PCS.
	M12-1.75	1/2"	GNM12803 9.5 LBS./100 PCS.			GNM12823 10 LBS./100 PCS.	

NOTE: *G-STRUT® channel nuts are case hardened and made from steel conforming to ASTM A575, Grade M1015 3/8" or thicker.

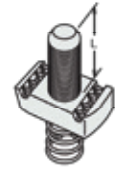
! All parts are electrogalvanized. For other finishes, please specify finish type by adding the following suffix to the part #:

STAINLESS STEEL = SS HOT-DIPPED GALVANIZED = HDG

Example: When ordering a 3/8-16 thread, 3/8" thickness, regular spring, hot-dipped galvanized spring nut, the part # would be: **GN821HDG**

SPECIALTY CHANNEL NUTS

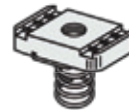
G-STRUT® HARDWARE



REGULAR SPRING CHANNEL NUTS WITH STUDS

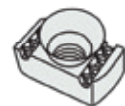
	PART #	NUT SIZE	THREAD SIZE	STUD LENGTH (L)	CARTON QTY.	LBS./100 PCS.
	GSTN25100	1/4"	1/4-20	1"	50	7
	GSTN25125			1 1/4"	50	8
	GSTN25150			1 1/2"	50	8
	GSTN37100	3/8"	3/8-16	1"	50	11
	GSTN37125			1 1/4"	50	12
	GSTN37150			1 1/2"	50	13
	GSTN50100	1/2"	1/2-13	1"	50	17
	GSTN50125			1 1/4"	50	18
	GSTN50150			1 1/2"	50	19

MINI CHANNEL NUTS FOR MINI STRUT



	THREAD SIZE	NO SPRING	SHORT SPRING	LONG SPRING	CARTON QTY.
	8-32	-	GMN832S	GMN832	200
	10-32	GMN1032N	GMN1032S	GMN1032	200
	10-24	GMN1024N	GMN1024S	GMN1024	200
	1/4-20	GMN025N	GMN025S	GMN025	200

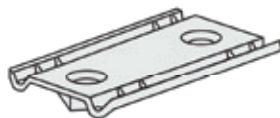
EZ NUTS FOR ALL CHANNEL



	PART #	THREAD SIZE	THICKNESS	CARTON QTY.	LBS./100 PCS.
	GCN800	1/4-20	3/8"	100	9
	GCN801	3/8-16	3/8"	100	9
	GCN802	1/2-13	3/8"	100	8

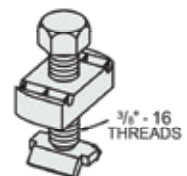
3/8" DOUBLE CONVEYOR ADJUSTING NUT

GDCN031
 CARTON QTY: 50
 LBS./100 PCS: 17



SEISMIC ROD STIFFENER

GRS375062
 CARTON QTY: 100
 LBS./100 PCS: 16



NUTS, BOLTS, WASHERS, SWIVELS & COUPLERS

G-STRUT® HARDWARE

HARDWARE

SCREWS

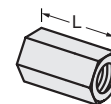


THREAD SIZE	LENGTH	HEX HEAD CAP 100 PCS./CTN.	FLAT HEAD 100 PCS./CTN.	ROUND HEAD MACHINE 100 PCS./CTN.
1/4-20	1/2"	GHH25050 1 LBS./100 PCS.		
1/4-20	5/8"		GFH062 1.2 LBS./100 PCS.	
1/4-20	3/4"	GHH25075 1.3 LBS./100 PCS.		GRH1075 1.2 LBS./100 PCS.
1/4-20	1"	GHH25100 1.7 LBS./100 PCS.		GRH1100 1.5 LBS./100 PCS.
1/4-20	1 1/4"			GRH1125 1.8 LBS./100 PCS.
5/16-18	1"		GFH100 2.6 LBS./100 PCS.	GRH2100 2.6 LBS./100 PCS.
5/16-18	1 1/4"			GRH2125 3 LBS./100 PCS.
5/16-18	1 1/2"			GRH2150 3.5 LBS./100 PCS.
3/8-16	3/4"	GHH375075 4 LBS./100 PCS.		
3/8-16	1"	GHH375100 4.5 LBS./100 PCS.		GRH3100 4.1 LBS./100 PCS.
3/8-16	1 1/4"	GHH375125 5.3 LBS./100 PCS.		GRH3125 4.7 LBS./100 PCS.
3/8-16	1 1/2"	GHH375150 6.1 LBS./100 PCS.		GRH3150 5.3 LBS./100 PCS.
3/8-16	2"	GHH375200 7.6 LBS./100 PCS.	GFH200 6.5 LBS./100 PCS.	
3/8-16	2 1/4"	GHH375225 8.5 LBS./100 PCS.	GFH225 7.1 LBS./100 PCS.	
3/8-16	2 1/2"		GFH250 7.7 LBS./100 PCS.	GRH3250 7.7 LBS./100 PCS.
1/2-13	1"	GHH50100 9.1 LBS./100 PCS.		
1/2-13	1 1/4"	GHH50125 10 LBS./100 PCS.		
1/2-13	1 1/2"	GHH50150 11.6 LBS./100 PCS.		
1/2-13	1 3/4"	GHH50175 13.2 LBS./100 PCS.		
1/2-13	2"	GHH50200 14.7 LBS./100 PCS.		
1/2-13	2 1/4"	GHH50225 16 LBS./100 PCS.		
1/2-13	2 1/2"	GHH50250 17.5 LBS./100 PCS.		

NUTS



THREAD SIZE	SQUARE NUTS 100 PCS./CTN.	HEX NUTS 100 PCS./CTN.
1/4-20	GSN025 0.9 LBS./100 PCS.	GHN025 0.6 LBS./100 PCS.
5/16-18	GSN3125 1.6 LBS./100 PCS.	GHN3125 1.2 LBS./100 PCS.
3/8-16	GSN375 2.7 LBS./100 PCS.	GHN375 1.6 LBS./100 PCS.
1/2-13	GSN050 5.8 LBS./100 PCS.	GHN050 4.8 LBS./100 PCS.



ROD COUPLERS

PART NUMBER	THREAD SIZE	LENGTH	CARTON QTY.	LBS./100 PCS.
GRC025	1/4-20	7/8"	100	2
GRC037	3/8-16	1 1/8"	100	11
GRC050	1/2-13	1 1/8"	100	11
GRC062	5/8-11	2 1/8"	100	16
GRC075	3/4-10	2 1/4"	100	28

WASHERS



HOLE SIZE	LOCK WASHER 100 PCS./CTN.	FLAT WASHER 100 PCS./CTN.	FENDER WASHER 100 PCS./CTN.
1/4"	GLW025 0.7 LBS./100 PCS.	GFW025 0.7 LBS./100 PCS.	GFDW050 3 LBS./100 PCS.
3/8"	GLW375 1.5 LBS./100 PCS.	GFW375 1.5 LBS./100 PCS.	GFDW037 3 LBS./100 PCS.
1/2"	GLW050 3.5 LBS./100 PCS.	GFW050 3.5 LBS./100 PCS.	GFDW050 3 LBS./100 PCS.

SWIVELS



THREAD SIZE	STUD LENGTH	MALE SWIVEL	FEMALE SWIVEL	FEMALE/FEMALE SWIVEL	FEMALE/MALE SWIVEL
3/8-16	1"	GSNHM037 15 LBS./100 PCS.			GSNHFM037 26 LBS./100 PCS.
3/8-16			GSNHFO37 12 LBS./100 PCS.	GSNHFF037 24 LBS./100 PCS.	
1/2-13	1"	GSNHM050 20 LBS./100 PCS.			GSNHFM050 35 LBS./100 PCS.
1/2-13			GSNHFO50 12 LBS./100 PCS.	GSNHFF050 24 LBS./100 PCS.	

NOTE: *Finish: Electro-galvanized.

ALL THREADED ROD

G-STRUT® HARDWARE



ALL THREADED ROD

PART #	THREAD SIZE	ROD LENGTH	PIECES/TUBE	TUBES/BUNDLES	LBS./PIECE
GAT0256	1/4-20	6'	50	40	.7
GAT02510		10'		25	1.2
GAT02512		12'		25	1.4
GAT0316	5/16-18	6'	35	40	1.1
GAT03110		10'		25	1.9
GAT03112		12'		25	2.3
GAT0376	3/8-16	6'	25	40	1.7
GAT03710		10'		25	2.9
GAT03712		12'		25	3.5
GAT0506	1/2-13	6'	12	40	3.2
GAT05010		10'		25	5.3
GAT05012		12'		25	6.4
GAT0626	5/8-11	6'	8	40	5.0
GAT06210		10'		25	8.3
GAT06212		12'		25	10.0
GAT0756	3/4-10	6'	5	40	7.3
GAT07510		10'		25	12.2
GAT07512		12'		25	14.6
GAT0876	7/8-9	6'	4	40	9.9
GAT08710		10'		25	16.5
GAT08712		12'		25	19.8
GAT1006	1-8	6'	2	50	13.3
GAT10010		10'		50	22.2
GAT10012		12'		50	26.6
GAT1126	1 1/8-7	6'	1	10	16.9
GAT11210		10'		10	28.1
GAT11212		12'		10	33.7
GAT1256	1 1/4-7	6'	1	10	21.0
GAT12510		10'		10	35.0
GAT12512		12'		10	42.0

NOTE: *Finish: Electro-galvanized. Also available in stainless steel, hot-dipped galvanized and plain steel. The 5/16", 1 1/8", 1 1/4" sizes are only available in the electro-galvanized finish. The 1/4" sizes are not available in the hot-dipped galvanized finish.

! All parts are electrogalvanized. For other finishes, please specify finish type by adding the following suffix to the part #: **STAINLESS STEEL (304) = SS STAINLESS STEEL (316) = SS(316) HOT-DIPPED GALVANIZED = HDG PLAIN = PO**
 Example: When ordering 10' long, 1/2" size, hot-dipped galvanized all-thread, the part # would be: **GAT05010HDG**

SECTION 3

G-STRUT® FITTINGS & ACCESSORIES

GENERAL:

G-STRUT® fittings and accessories facilitate the installation of support and hanging designs with basic hand and power tools.

MATERIAL:

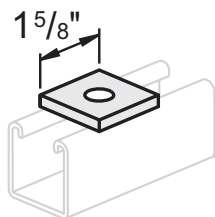
Most fittings are made from 1/4" thick carbon steel to an approximated 1 5/8" width to match or accommodate **G-STRUT®** channel products. Note dimensions shown for assembly compatibility.

FINISHES:

Standard finish for accessories is electro-galvanized. Consult factory for other finishes and materials.

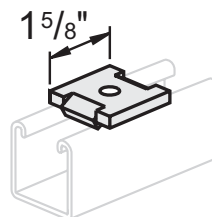
FLAT PLATE FITTINGS

G-STRUT® FITTINGS & ACCESSORIES



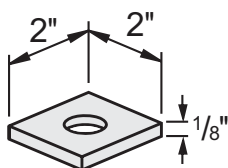
SQUARE WASHER

PART #	HOLE SIZE	CARTON QTY.	LBS./100 PCS.
G201025	1/4"	100	16
G201031	5/16"	100	16
G201037	3/8"	100	16
G201050	1/2"	100	16
G201062	5/8"	100	16
G201075	3/4"	100	16



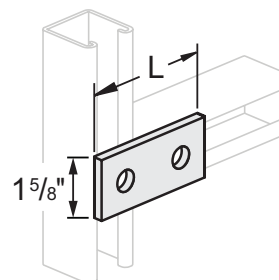
NO-TURN SQUARE WASHER

PART #	HOLE SIZE	CARTON QTY.	LBS./100 PCS.
G202025	1/4"	100	16
G202037	3/8"	100	16
G202050	1/2"	100	16
G202062	5/8"	100	16
G202075	3/4"	100	16



2"X 2" SQUARE WASHER

PART #	HOLE SIZE	CARTON QTY.	LBS./100 PCS.
G203037	3/8"	100	13
G203050	1/2"	100	13

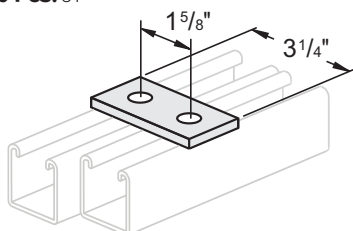


2 HOLE FLAT PLATE CONNECTOR

PART #	HOLE SIZE	CARTON QTY.	LBS./100 PCS.
G2031	4 5/8"	50	50
G2032	3 1/2"	50	33

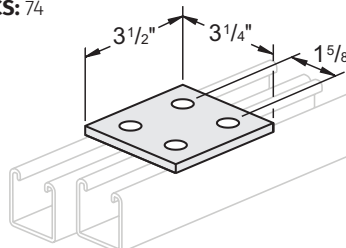
2 HOLE SPLICE PLATE

G2033
CARTON QTY: 50
LBS./100 PCS: 31



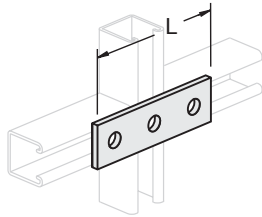
4 HOLE SPLICE PLATE

G2051
CARTON QTY: 25
LBS./100 PCS: 74



FLAT PLATE FITTINGS

G-STRUT® FITTINGS & ACCESSORIES



3 HOLE SPLICE PLATE

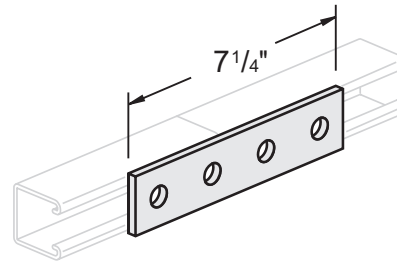
	PART #	HOLE SIZE	CARTON QTY.	LBS./100 PCS.
	G206	5 3/8"	50	58
	G2061	4 7/8"	20	50

4 HOLE SPLICE PLATE

G205

CARTON QTY: 25

LBS./100 PCS: 69

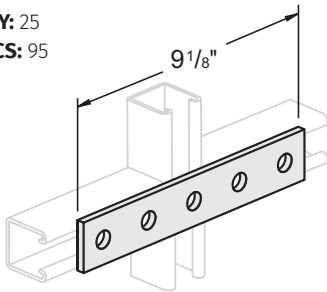


5 HOLE CONNECTOR PLATE

G208

CARTON QTY: 25

LBS./100 PCS: 95

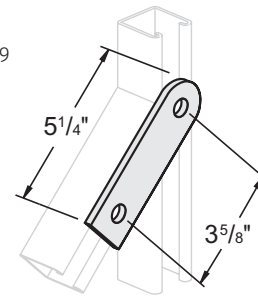


2 HOLE SWIVEL PLATE

G2071

CARTON QTY: 25

LBS./100 PCS: 49

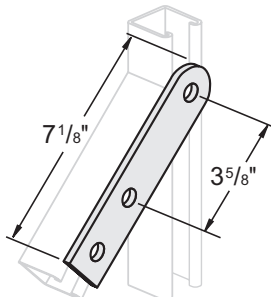


3 HOLE SWIVEL PLATE

G207

CARTON QTY: 25

LBS./100 PCS: 76

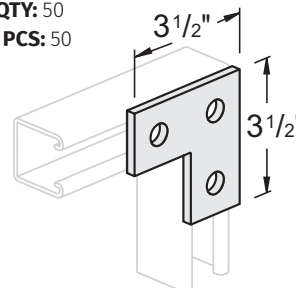


3 HOLE FLAT ANGLE PLATE

G210

CARTON QTY: 50

LBS./100 PCS: 50



NOTE: *Material is 1 5/8" wide x 1/4" thick unless specified. Holes are 9/16" diameter unless specified.

FLAT PLATE FITTINGS

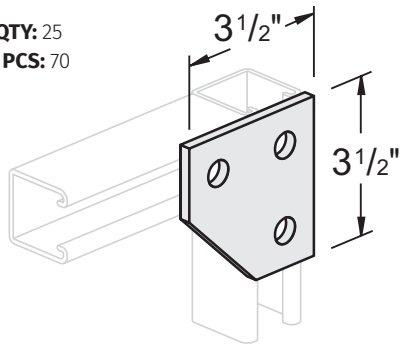
G-STRUT® FITTINGS & ACCESSORIES

3 HOLE CORNER CONNECTOR

G211

CARTON QTY: 25

LBS./100 PCS: 70

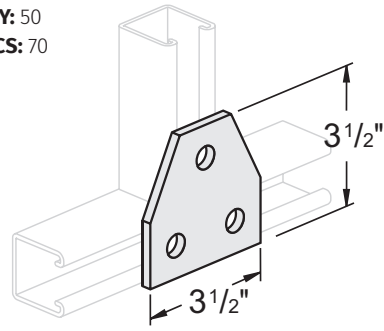


3 HOLE CONNECTOR PLATE

G212

CARTON QTY: 50

LBS./100 PCS: 70

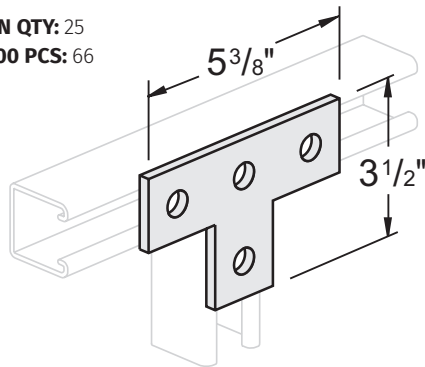


4 HOLE TEE PLATE

G213

CARTON QTY: 25

LBS./100 PCS: 66

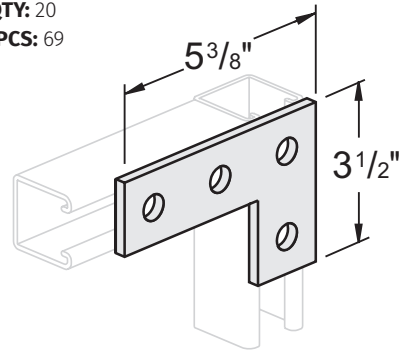


4 HOLE CORNER JOINER PLATE

G214

CARTON QTY: 20

LBS./100 PCS: 69

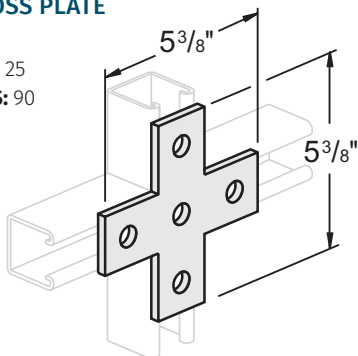


5 HOLE CROSS PLATE

G216

CARTON QTY: 25

LBS./100 PCS: 90

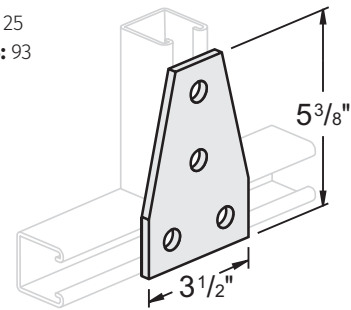


4 HOLE CONNECTOR PLATE

G217

CARTON QTY: 25

LBS./100 PCS: 93



NOTE: *Material is 1 5/8" wide x 1/4" thick unless specified. Holes are 9/16" diameter unless specified.

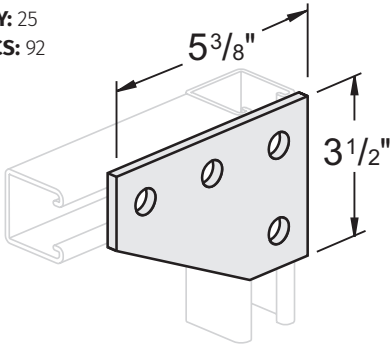
FLAT PLATE FITTINGS

G-STRUT® FITTINGS & ACCESSORIES

4 HOLE CORNER CONNECTOR PLATE

G218

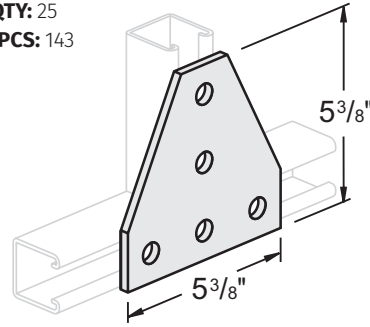
CARTON QTY: 25
LBS./100 PCS: 92



5 HOLE CONNECTOR PLATE

G219

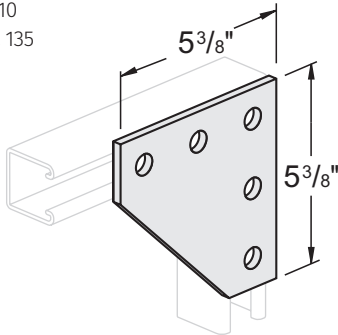
CARTON QTY: 25
LBS./100 PCS: 143



5 HOLE CORNER CONNECTOR PLATE

G2191

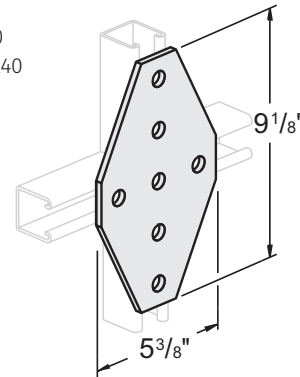
CARTON QTY: 10
LBS./100 PCS: 135



7 HOLE CONNECTOR PLATE

G220

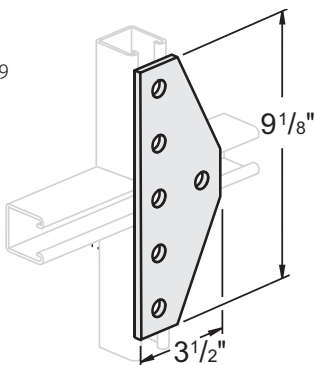
CARTON QTY: 10
LBS./100 PCS: 240



6 HOLE TEE CORNER CONNECTOR

G221

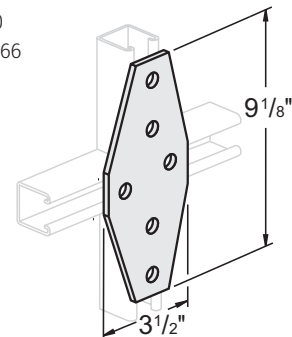
CARTON QTY: 10
LBS./100 PCS: 149



6 HOLE STAGGERED CONNECTOR

G222

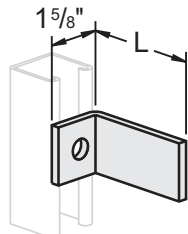
CARTON QTY: 10
LBS./100 PCS: 166



NOTE: *Material is 1 5/8" wide x 1/4" thick unless specified. Holes are 9/16" diameter unless specified.

90° ANGLE FITTINGS

G-STRUT® FITTINGS & ACCESSORIES



1 HOLE CORNER ANGLE

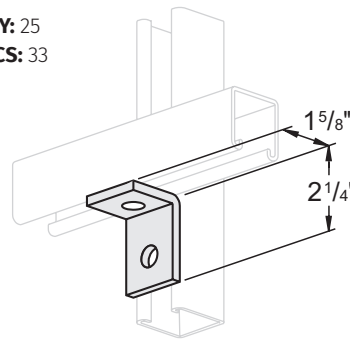
PART #	HOLE SIZE	CARTON QTY.	LBS./100 PCS.
G3061	1 5/8" x 3 7/8"	25	48
G3062	1 5/8" x 5 7/8"	25	83
G3063	1 5/8" x 7 7/8"	25	105
G3065	1 7/8" x 3 7/8"	25	130

2 HOLE CORNER ANGLE

G301

CARTON QTY: 25

LBS./100 PCS: 33

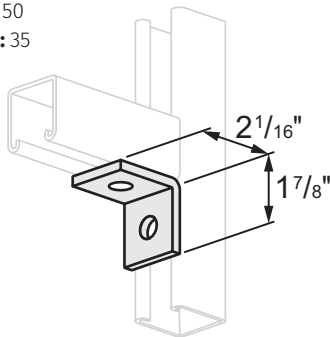


2 HOLE CONNECTION ANGLE

G302

CARTON QTY: 50

LBS./100 PCS: 35

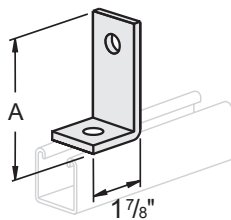
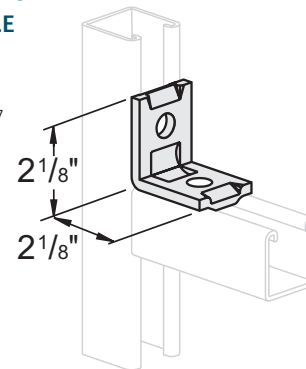


2 HOLE NO-TWIST CORNER ANGLE

G304

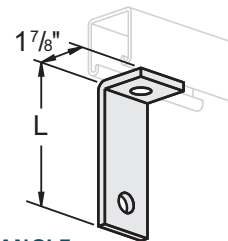
CARTON QTY: 50

LBS./100 PCS: 37



2 HOLE OFFSET ANGLE

PART #	HOLE SIZE	CARTON QTY.	LBS./100 PCS.
G3381	3"	25	48
G3382	3 1/2"	25	53
G3383	4"	25	61



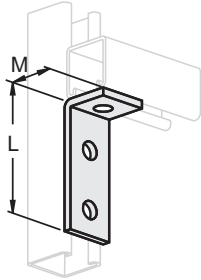
2 HOLE CORNER ANGLE

PART #	HOLE SIZE	CARTON QTY.	LBS./100 PCS.
G3031	3"	50	49
G3032	3 1/2"	50	54
G3033	4"	50	61

NOTE: *Material is 1 5/8" wide x 1/4" thick unless specified. Holes are 9/16" diameter unless specified.

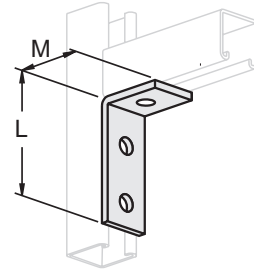
90° ANGLE FITTINGS

G-STRUT® FITTINGS & ACCESSORIES



3 HOLE CORNER ANGLE

	PART #	SIZE (L)	SIZE (M)	CARTON QTY.	LBS./100 PCS.
	G306	4 1/8"	1 5/8"	25	50
	G3060	3 7/8"	1 7/8"	50	60
	G3064	3 15/16"	1 7/8"	25	51



3 HOLE CORNER ANGLE

	PART #	SIZE (L)	SIZE (M)	CARTON QTY.	LBS./100 PCS.
	G3051	3 1/4"	2"	25	58
	G3052	3 1/2"	2 1/4"	25	50

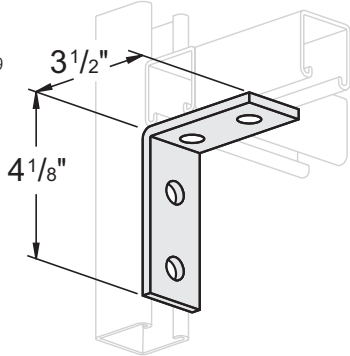
FITTINGS & ACCESSORIES

4 HOLE CORNER ANGLE

G311

CARTON QTY: 25

LBS./100 PCS: 69

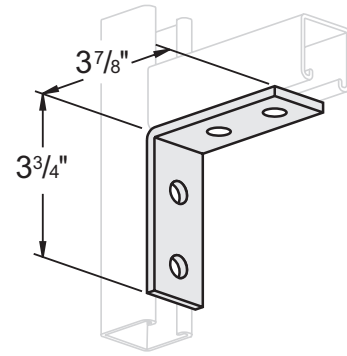


4 HOLE CORNER ANGLE

G3111

CARTON QTY: 25

LBS./100 PCS: 68

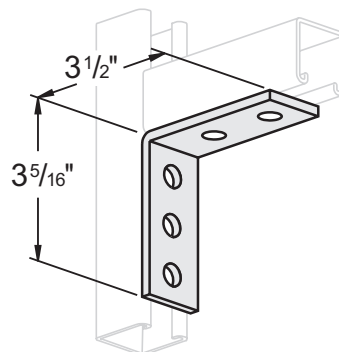


5 HOLE CORNER ANGLE

G3112

CARTON QTY: 25

LBS./100 PCS: 75



*NOTE: *Material is 1 5/8" wide x 1/4" thick unless specified. Holes are 9/16" diameter unless specified.*

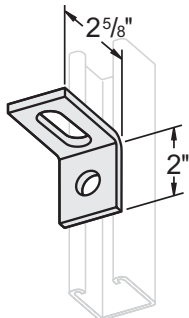
ADJUSTABLE ANGLE FITTINGS

G-STRUT® FITTINGS & ACCESSORIES

2 HOLE ADJUSTABLE CORNER ANGLE

G333

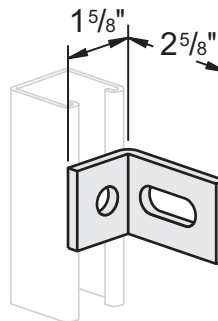
CARTON QTY: 25
LBS./100 PCS: 42



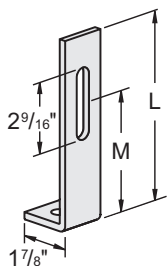
2 HOLE ADJUSTABLE CORNER ANGLE

G337

CARTON QTY: 50
LBS./100 PCS: 38



2 HOLE ADJUSTABLE CORNER ANGLE

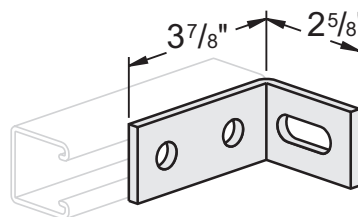


	PART #	SIZE (L)	SIZE (M)	CARTON QTY.	LBS./100 PCS.
	G336	4 7/8"	2 1/2"	25	59
	G3361	6 7/8"	4 1/2"	25	81

3 HOLE ADJUSTABLE CORNER ANGLE

G331

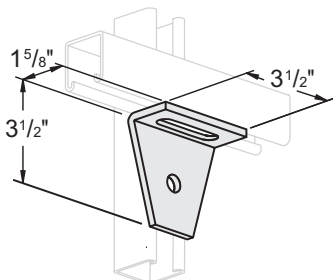
CARTON QTY: 25
LBS./100 PCS: 63



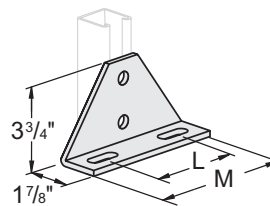
2 HOLE ADJUSTABLE CORNER ANGLE

G334

CARTON QTY: 20
LBS./100 PCS: 97



2 HOLE 2 SLOTTED CONNECTOR ANGLE



	PART #	SIZE (L)	SIZE (M)	CARTON QTY.	LBS./100 PCS.
	G315	6 5/8"	4"	10	171
	G3151	8 5/8"	6"	10	200

*NOTE: *Material is 1 5/8" wide x 1/4" thick unless specified. Holes are 9/16" diameter unless specified.*

90° ANGLE FITTINGS

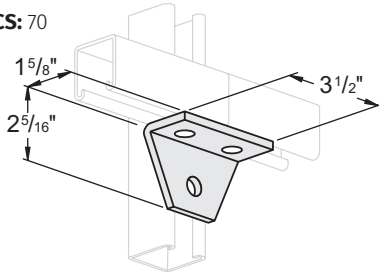
G-STRUT® FITTINGS & ACCESSORIES

3 HOLE CORNER SHELF ANGLE

G3071

CARTON QTY: 25

LBS./100 PCS: 70

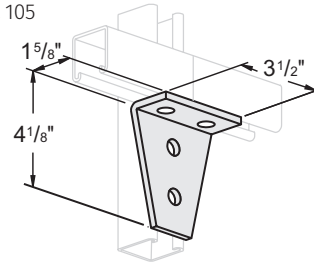


4 HOLE JOINT CONNECTOR ANGLE

G309

CARTON QTY: 25

LBS./100 PCS: 105

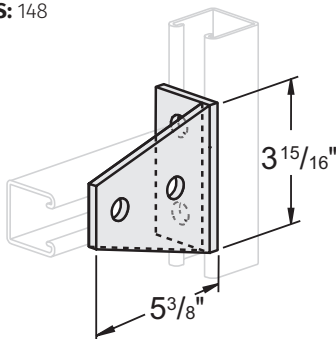


4 HOLE CORNER SHELF ANGLE

G308

CARTON QTY: 25

LBS./100 PCS: 148

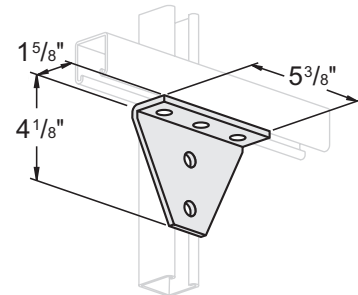


5 HOLE JOINT CONNECTOR ANGLE

G314

CARTON QTY: 10

LBS./100 PCS: 155

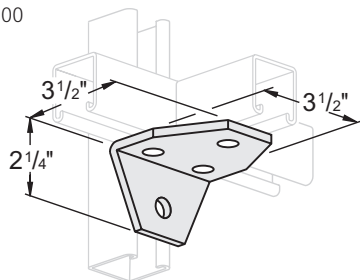


4 HOLE DUPLEX CORNER ANGLE

G310

CARTON QTY: 25

LBS./100 PCS: 100

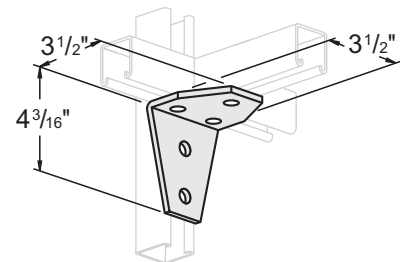


5 HOLE DUPLEX CORNER ANGLE

G313

CARTON QTY: 10

LBS./100 PCS: 135



*NOTE: *Material is 1 5/8" wide x 1/4" thick unless specified. Holes are 9/16" diameter unless specified.*

90° ANGLE FITTINGS

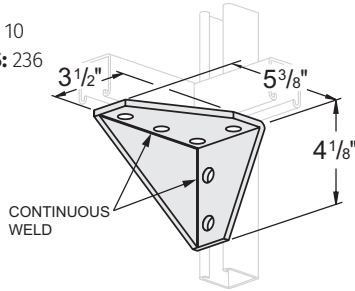
G-STRUT® FITTINGS & ACCESSORIES

6 HOLE SHELF BRACKET (LEFT HAND)

G316L

CARTON QTY: 10

LBS./100 PCS: 236

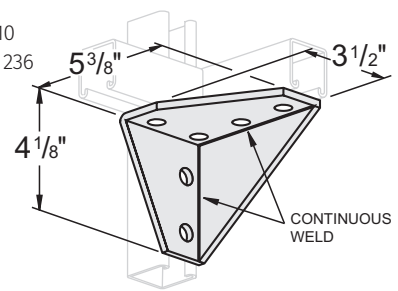


6 HOLE SHELF BRACKET (RIGHT HAND)

G316R

CARTON QTY: 10

LBS./100 PCS: 236

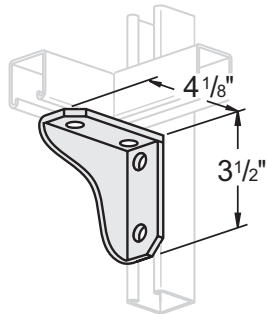


4 HOLE SHELF BRACKET (LEFT HAND)

G318L

CARTON QTY: 10

LBS./100 PCS: 114 LBS

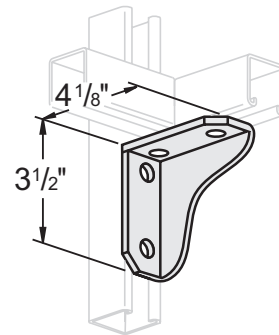


4 HOLE SHELF BRACKET (RIGHT HAND)

G318R

CARTON QTY: 10

LBS./100 PCS: 114

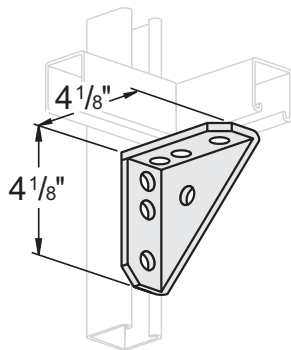


7 HOLE UNIVERSAL CORNER ANGLE

G335

CARTON QTY: 10

LBS./100 PCS: 127

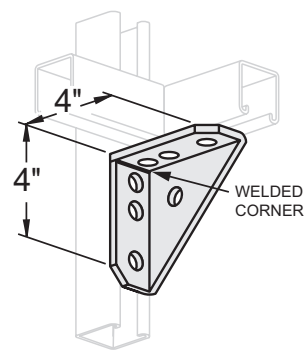


7 HOLE UNIVERSAL CORNER ANGLE

G335W

CARTON QTY: 10

LBS./100 PCS: 127



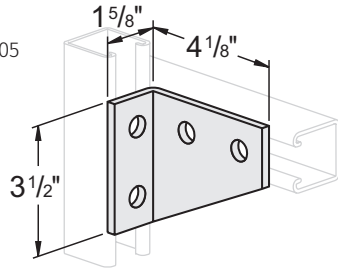
*NOTE: *Material is 1 5/8" wide x 1/4" thick unless specified. Holes are 9/16" diameter unless specified.*

ANGLE FITTINGS

G-STRUT® FITTINGS & ACCESSORIES

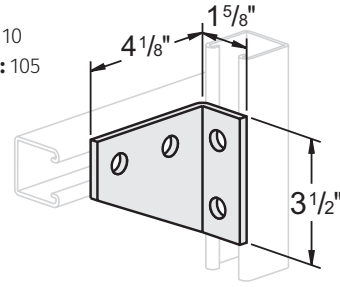
4 HOLE JOINT CORNER ANGLE (LEFT HAND)

G3422
CARTON QTY: 10
LBS./100 PCS: 105



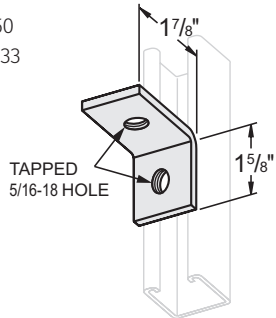
4 HOLE JOINT CORNER ANGLE (RIGHT HAND)

G3421
CARTON QTY: 10
LBS./100 PCS: 105



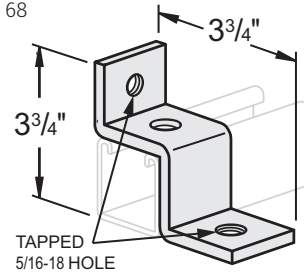
2 HOLE TAPPED CORNER ANGLE

G332
CARTON QTY: 50
LBS./100 PCS: 33



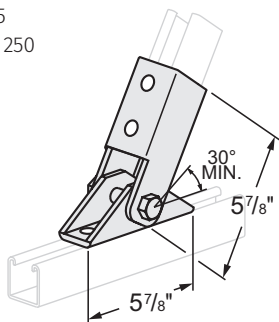
3 HOLE SHEATH CORNER CONNECTOR

G348
CARTON QTY: 25
LBS./100 PCS: 68



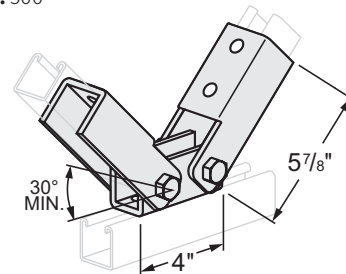
ADJ. SINGLE CHANNEL BRACE

GACB319
CARTON QTY: 5
LBS./100 PCS: 250



ADJ. DOUBLE CHANNEL HINGE

GACB320
CARTON QTY: 5
LBS./100 PCS: 500



*NOTE: *Material is 1 5/8" wide x 1/4" thick unless specified. Holes are 9/16" diameter unless specified.*

ANGLE FITTINGS

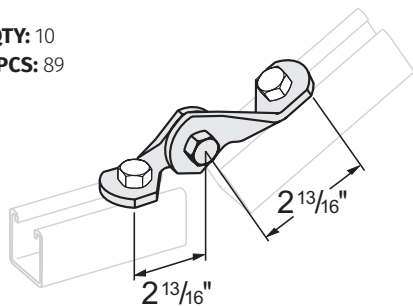
G-STRUT® FITTINGS & ACCESSORIES

2 HOLE ADJUSTABLE HINGE

G316

CARTON QTY: 10

LBS./100 PCS: 89

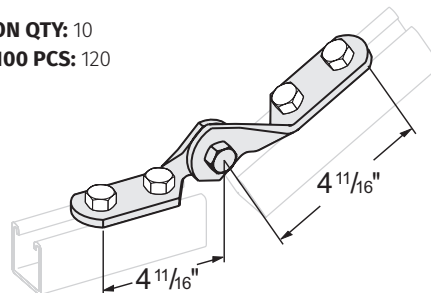


4 HOLE ADJUSTABLE HINGE

G3161

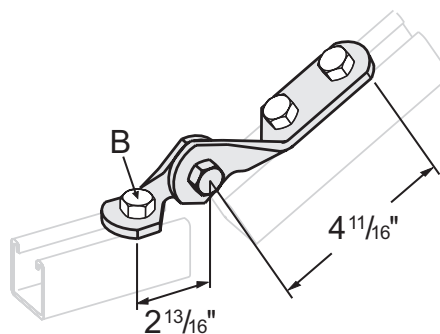
CARTON QTY: 10

LBS./100 PCS: 120



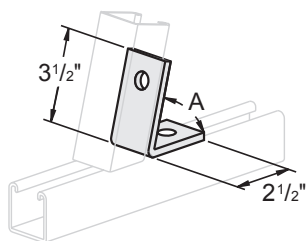
3 HOLE ADJUSTABLE HINGE

PART #	BOLT (B)	CARTON QTY.	LBS./100 PCS.
G33001	3/8"	10	106
G33002	1/2"	10	104
G33003	5/8"	10	102
G33004	3/4"	10	100



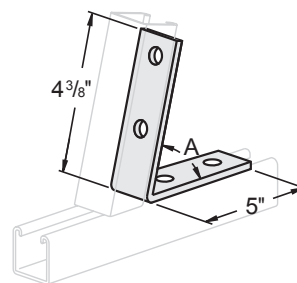
2 HOLE CLOSED ANGLE

PART #	ANGLE (A)	CARTON QTY.	LBS./100 PCS.
G3171	45°	25	53
G3172	67°	25	53



4 HOLE CLOSED ANGLE

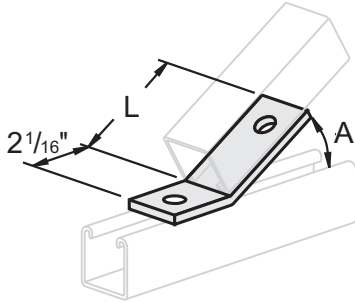
PART #	ANGLE (A)	CARTON QTY.	LBS./100 PCS.
G31001	45°	20	88
G31002	60°	20	88



NOTE: *Material is 1 5/8" wide x 1/4" thick unless specified. Holes are 9/16" diameter unless specified.

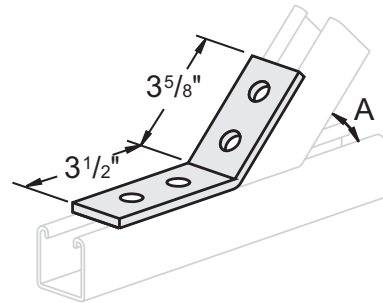
ANGLE FITTINGS

G-STRUT® FITTINGS & ACCESSORIES



2 HOLE OPEN ANGLE

☰	PART #	SIZE (L)	ANGLE (A)	CARTON QTY.	LBS./ 100 PCS.
	G3191	3 1/2"	82 1/2°	25	54
	G3192	3 1/2"	75°	25	54
	G3193	3 1/2"	67 1/2°	25	54
	G3194	3 1/4"	60°	25	54
	G3195	3 1/4"	52 1/2°	25	54
	G3196	3 1/4"	37 1/2°	25	54
	G3197	3 5/16"	30°	25	54
	G3198	3 5/16"	22 1/2°	25	54
	G3199	3 5/16"	15°	25	54
	G31910	3 5/16"	7 1/2°	25	54
	G31911	3 1/4"	45°	25	54

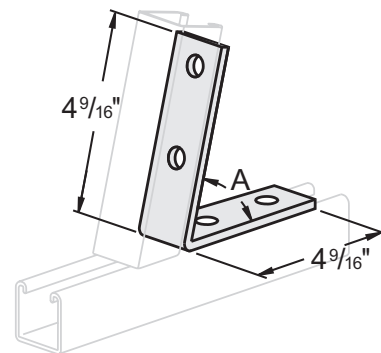


4 HOLE OPEN ANGLE

☰	PART #	ANGLE (A)	CARTON QTY.	LBS./ 100 PCS.
	G3201	7 1/2°	25	70
	G3202	15°	25	70
	G3203	22 1/2°	25	70
	G3204	30°	25	70
	G3205	37 1/2°	25	70
	G3206	45°	25	70
	G3207	52 1/2°	25	70
	G3208	60°	25	70
	G3209	67 1/2°	25	70
	G32010	75°	25	70
	G32011	82 1/2°	25	70

4 HOLE CLOSED ANGLE

☰	PART #	ANGLE (A)	CARTON QTY.	LBS./ 100 PCS.
	G32001	37 1/2°	25	100
	G32002	45°	25	100
	G32003	52 1/2°	25	100
	G32004	60°	25	100
	G32005	67 1/2°	25	100
	G32006	75°	25	100
	G32007	82 1/2°	25	100



NOTE: *Material is 1 5/8" wide x 1/4" thick unless specified. Holes are 9/16" diameter unless specified.

WING FITTINGS

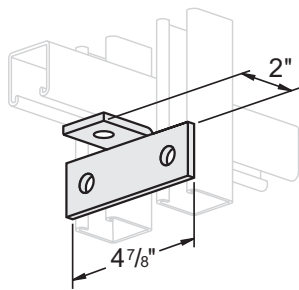
G-STRUT® FITTINGS & ACCESSORIES

3 HOLE OFFSET BENT TEE

G339

CARTON QTY: 25

LBS./100 PCS: 71 LBS

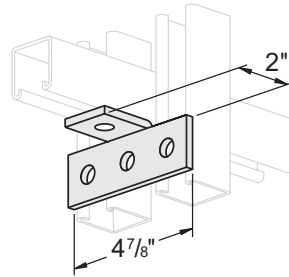


4 HOLE BENT TEE

G312

CARTON QTY: 10

LBS./100 PCS: 72

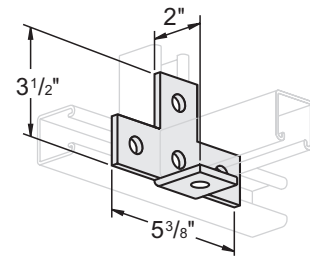


5 HOLE OFFSET BENT TEE

G340

CARTON QTY: 10

LBS./100 PCS: 90

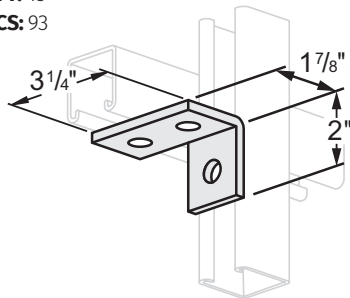


3 HOLE LEFT HAND OFFSET ANGLE (LEFT HAND)

G330L

CARTON QTY: 15

LBS./100 PCS: 93

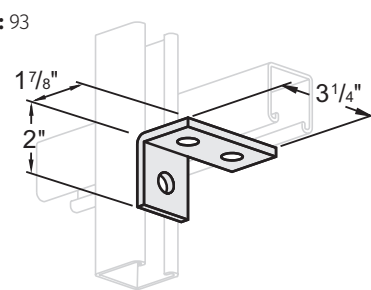


3 HOLE RIGHT HAND OFFSET ANGLE (RIGHT HAND)

G330R

CARTON QTY: 15

LBS./100 PCS: 93

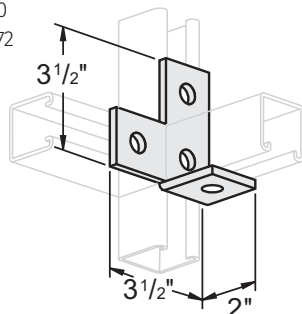


4 HOLE LEFT HAND OFFSET TEE (LEFT HAND)

G3411

CARTON QTY: 10

LBS./100 PCS: 72

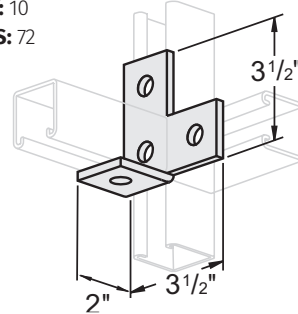


4 HOLE RIGHT HAND OFFSET TEE (RIGHT HAND)

G3412

CARTON QTY: 10

LBS./100 PCS: 72

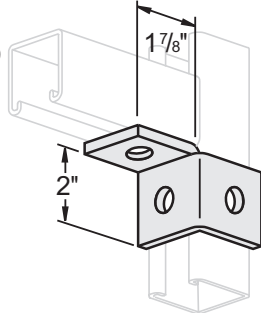


WING FITTINGS

G-STRUT® FITTINGS & ACCESSORIES

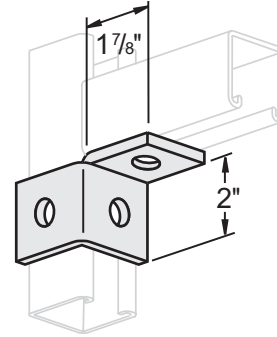
3 HOLE SINGLE ANGLE CONNECTOR (LEFT HAND)

G321L
CARTON QTY: 15
LBS./100 PCS: 60



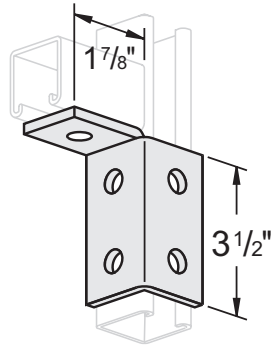
3 HOLE SINGLE ANGLE CONNECTOR (RIGHT HAND)

G321R
CARTON QTY: 15
LBS./100 PCS: 60



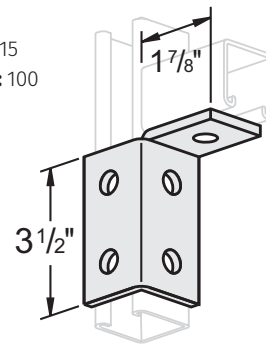
5 HOLE SINGLE ANGLE CONNECTOR (LEFT HAND)

G329L
CARTON QTY: 15
LBS./100 PCS: 100



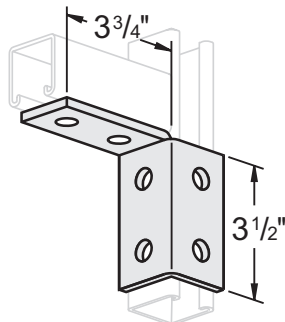
5 HOLE SINGLE ANGLE CONNECTOR (RIGHT HAND)

G329R
CARTON QTY: 15
LBS./100 PCS: 100



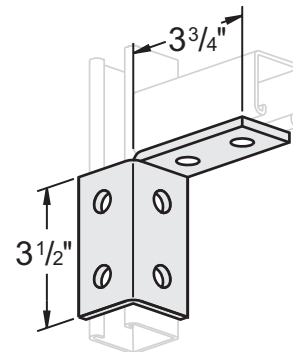
6 HOLE SINGLE ANGLE CONNECTOR (LEFT HAND)

G32112L
CARTON QTY: 15
LBS./100 PCS: 119



6 HOLE SINGLE ANGLE CONNECTOR (RIGHT HAND)

G32112R
CARTON QTY: 15
LBS./100 PCS: 119



*NOTE: *Material is 1 5/8" wide x 1/4" thick unless specified. Holes are 9/16" diameter unless specified.*

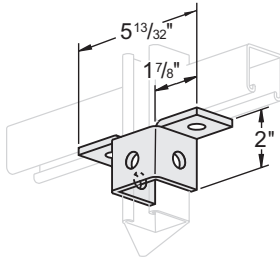
WING FITTINGS

G-STRUT® FITTINGS & ACCESSORIES

5 HOLE DOUBLE WING CONNECTOR

G327

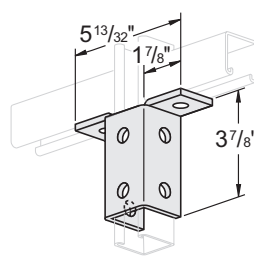
CARTON QTY: 15
LBS./100 PCS: 93



8 HOLE DOUBLE WING CONNECTOR

G350

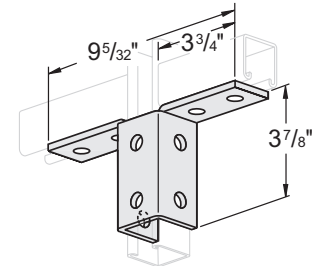
CARTON QTY: 10
LBS./100 PCS: 177



10 HOLE DOUBLE WING CONNECTOR

G355

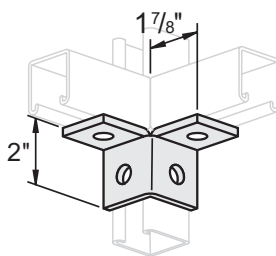
CARTON QTY: 10
LBS./100 PCS: 202



4 HOLE DOUBLE ANGLE CONNECTOR

G326

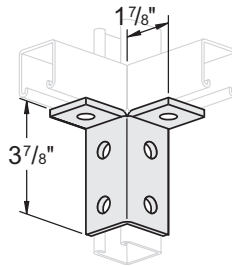
CARTON QTY: 25
LBS./100 PCS: 76



6 HOLE DOUBLE ANGLE CONNECTOR

G354

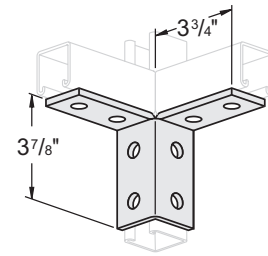
CARTON QTY: 25
LBS./100 PCS: 115



8 HOLE DOUBLE ANGLE CONNECTOR

G3261

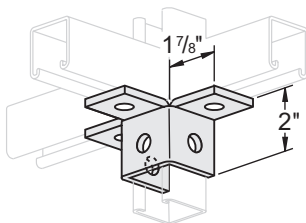
CARTON QTY: 10
LBS./100 PCS: 156



6 HOLE TRIPLE WING CONNECTOR

G3281

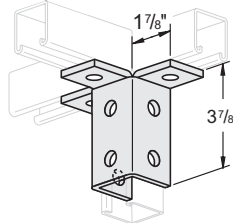
CARTON QTY: 10
LBS./100 PCS: 105



9 HOLE TRIPLE WING CONNECTOR

G351

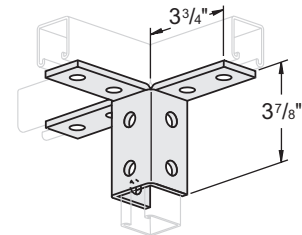
CARTON QTY: 10
LBS./100 PCS: 193



12 HOLE TRIPLE WING CONNECTOR

G329

CARTON QTY: 10
LBS./100 PCS: 239



*NOTE: *Material is 1 5/8" wide x 1/4" thick unless specified. Holes are 9/16" diameter unless specified.*

WING FITTINGS

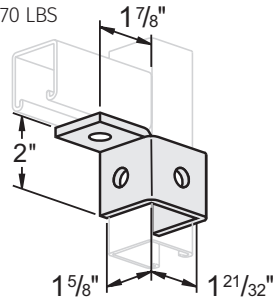
G-STRUT® FITTINGS & ACCESSORIES

4 HOLE SINGLE WRAP CONNECTOR (LEFT HAND)

G328L

CARTON QTY: 15

LBS./100 PCS: 70 LBS

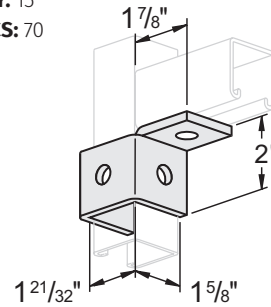


4 HOLE SINGLE WRAP CONNECTOR (RIGHT HAND)

G328R

CARTON QTY: 15

LBS./100 PCS: 70

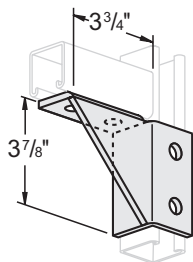


4 HOLE SINGLE CORNER CONNECTOR (LEFT HAND)

G343L

CARTON QTY: 10

LBS./100 PCS: 176

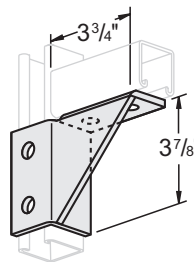


4 HOLE SINGLE CORNER CONNECTOR (RIGHT HAND)

G343R

CARTON QTY: 10

LBS./100 PCS: 176

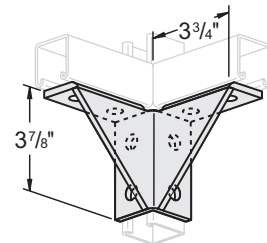


8 HOLE DOUBLE CORNER CONNECTOR

G352

CARTON QTY: 10

LBS./100 PCS: 127

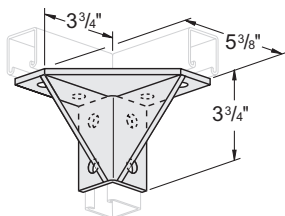


8 HOLE DOUBLE CORNER CONNECTOR

G356

CARTON QTY: 5

LBS./100 PCS: 315

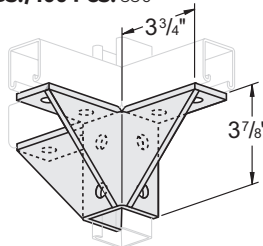


12 HOLE TRIPLE CORNER CONNECTOR

G357

CARTON QTY: 5

LBS./100 PCS: 330

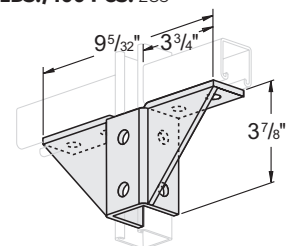


10 HOLE DOUBLE CORNER CONNECTOR

G3271

CARTON QTY: 5

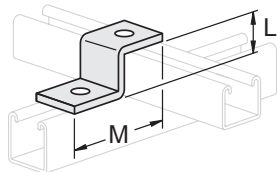
LBS./100 PCS: 285



*NOTE: *Material is 1 5/8\"*

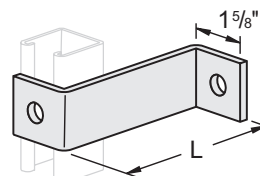
Z ANGLE FITTINGS

G-STRUT® FITTINGS & ACCESSORIES



2 HOLE Z ANGLE

PART #	SIZE (L)	SIZE (M)	CARTON QTY.	LBS./100 PCS.
G323	1"	3 3/4"	25	47
G3231	2 7/16"	3 3/4"	25	67
G3232	1 3/8"	3 3/4"	25	53
G3233	13/16"	3 3/4"	25	47
G3234	3 1/4"	2 1/8"	25	70
G3235	4 7/8"	2 1/8"	25	90



2 HOLE Z ANGLE

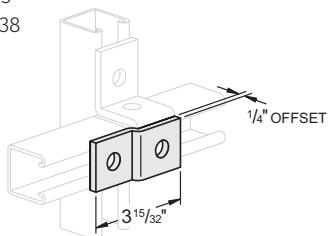
PART #	SIZE (L)	CARTON QTY.	LBS./100 PCS.
G34101	4 3/4"	25	89
G34102	3 25/32"	25	78
G34103	2 13/32"	25	62
G34104	6"	25	95

2 HOLE 1/4" OFFSET SUPPORT

G345

CARTON QTY: 25

LBS./100 PCS: 38

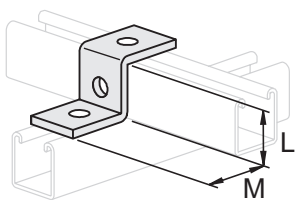
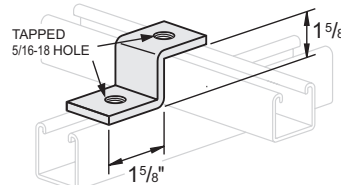


2 HOLE TAPPED Z ANGLE

G347

CARTON QTY: 25

LBS./100 PCS: 51



3 HOLE Z ANGLE

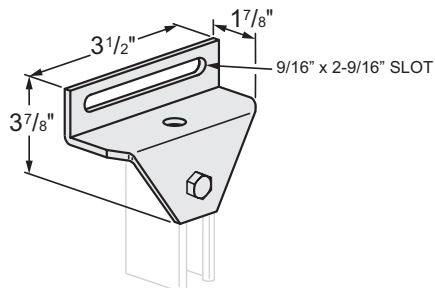
PART #	SIZE (L)	SIZE (M)	CARTON QTY.	LBS./100 PCS.
G322	1 5/8"	2 1/8"	25	53
G3221	3 1/4"	1 7/8"	25	70

3 HOLE ADJUSTABLE Z ANGLE

G349

CARTON QTY: 20

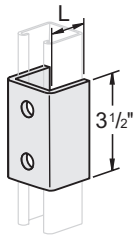
LBS./100 PCS: 93



NOTE: *Material is 1 5/8" wide x 1/4" thick unless specified. Holes are 9/16" diameter unless specified.

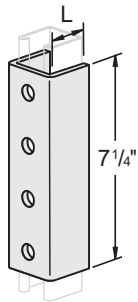
SPLICE CHANNEL FITTINGS

G-STRUT® FITTINGS & ACCESSORIES



2 HOLE SPLICE CHANNEL

	PART #	SIZE (L)	CARTON QTY.	LBS./ 100 PCS.
	G6070	15/8"	25	128
	G6071	13/16"	20	85

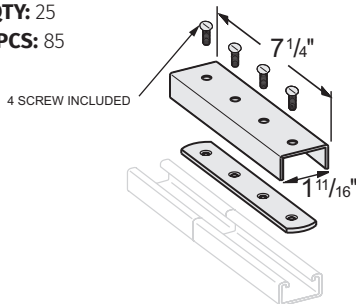


4 HOLE SPLICE CHANNEL

	PART #	SIZE (L)	CARTON QTY.	LBS./ 100 PCS.
	G6061	15/8"	10	230
	G6062	13/16"	10	158
	G6063	3 1/4"	5	410

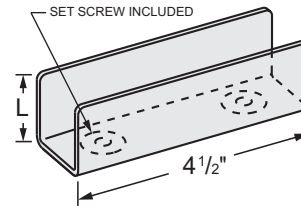
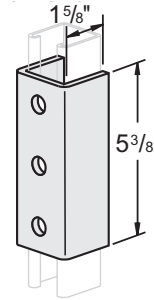
RACEWAY SPLICE PLATE FOR 13/16" CHANNEL

G606E2
 CARTON QTY: 25
 LBS./100 PCS: 85



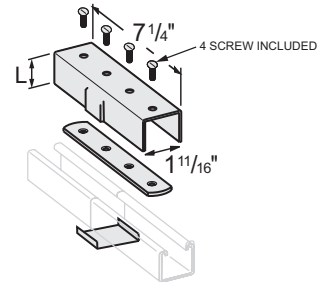
3 HOLE SPLICE CHANNEL

G6041
 CARTON QTY: 20
 LBS./100 PCS: 197



INTERNAL SPLICE CHANNEL

	PART #	SIZE (L)	CARTON QTY.	LBS./ 100 PCS.
	GSJ100	15/8"	50	50
	GSJ110	13/16"	50	50



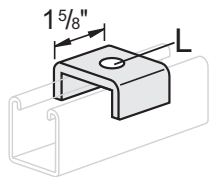
RACEWAY SPLICE PLATE FOR 1 5/8" & 3 1/4" CHANNEL

	PART #	SIZE (L)	CARTON QTY.	LBS./ 100 PCS.
	G606E1	15/8"	25	134
	G606E3	3 1/4"	10	155

NOTE: *Material is 1 5/8" wide x 1/4" thick unless specified. Holes are 9/16" diameter unless specified.

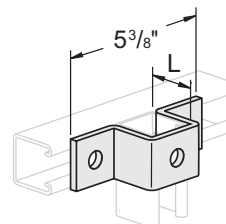
U FITTINGS

G-STRUT® FITTINGS & ACCESSORIES



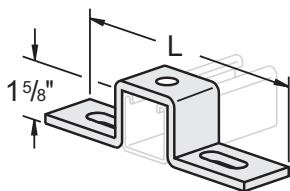
U SADDLE WASHER

PART #	SIZE (L)	CARTON QTY.	LBS./100 PCS.
G626	1/4"	50	18
G6262	3/8"	50	18
G6263	1/2"	50	18
G6264	5/8"	50	17
G6265	3/4"	50	17



3 HOLE U SUPPORT

PART #	SIZE (L)	CARTON QTY.	LBS./100 PCS.
G6091	2 7/16"	15	108
G6092	1 5/8"	25	95
G6093	1 3/8"	25	70
G6094	1"	25	66
G6095	13/16"	25	62
G6096	4 7/8"	10	197
G6097	6 1/2"	10	200

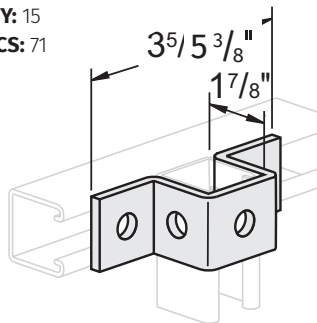


3 HOLE ADJUSTABLE U SUPPORT

PART #	SIZE (L)	CARTON QTY.	LBS./100 PCS.
G6021	7 1/4"	10	96
G6022	8 1/4"	10	111
G6023	10 3/8"	10	129

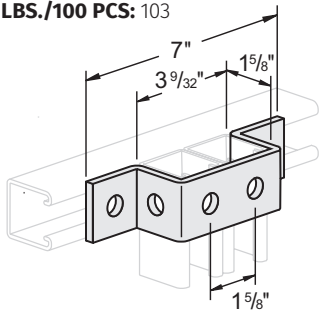
5 HOLE U SUPPORT

G618
CARTON QTY: 15
LBS./100 PCS: 71



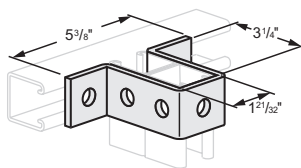
6 HOLE DOUBLE U SUPPORT

G610
CARTON QTY: 10
LBS./100 PCS: 103



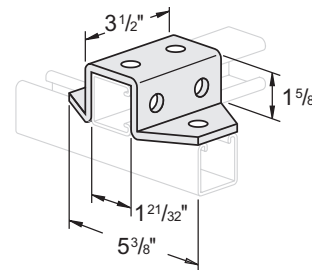
7 HOLE DOUBLE U SUPPORT

G612
CARTON QTY: 25
LBS./100 PCS: 121



8 HOLE INTERSECTING U SUPPORT

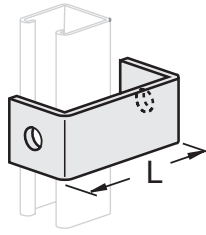
G613
CARTON QTY: 10
LBS./100 PCS: 171



*NOTE: *Material is 1 5/8" wide x 1/4" thick unless specified. Holes are 9/16" diameter unless specified.*

CLEVIS FITTINGS

G-STRUT® FITTINGS & ACCESSORIES

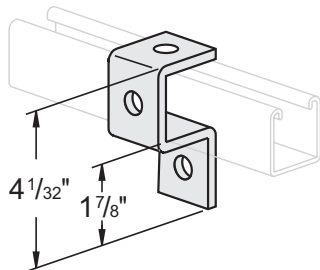


2 HOLE CLEVIS

PART #	SIZE (L)	CARTON QTY.	LBS./100 PCS.
G6221	2 13/32"	25	57
G6222	3 25/32"	25	73
G6223	4 3/4"	25	84
G6224	4"	25	78
G6225	5"	25	89
G6226	6"	25	107
G6227	7"	25	112
G6228	8"	25	124

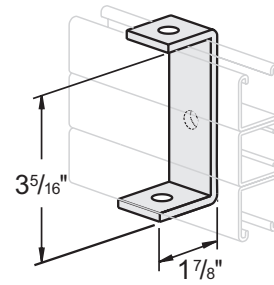
4 HOLE SUSPENSION CLEVIS

G625
CARTON QTY: 25
LBS./100 PCS: 76



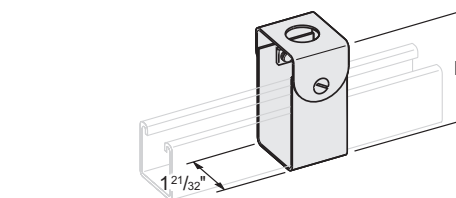
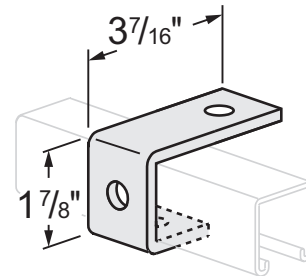
3 HOLE CLEVIS

G623
CARTON QTY: 25
LBS./100 PCS: 75



3 HOLE SUSPENSION CLEVIS

G624
CARTON QTY: 25
LBS./100 PCS: 75



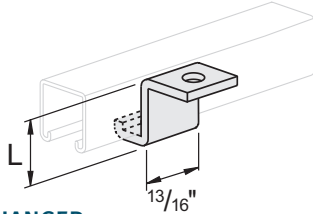
DOUBLE CLEVIS HANGERS

PART #	SIZE (L)	SIZE (M)	CARTON QTY.	LBS./100 PCS.
G905	13/16" & 1"	2 3/16"	25	34
G9051	1 5/8"	3 1/2"	25	40

NOTE: *Material is 1 5/8" wide x 1/4" thick unless specified. Holes are 9/16" diameter unless specified.

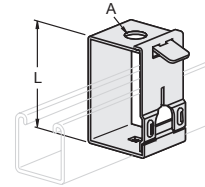
HANGERS & MISC. HARDWARE

G-STRUT® FITTINGS & ACCESSORIES



CHANNEL HANGER

PART #	SIZE (L)	CARTON QTY.	LBS./100 PCS.
G3461	13/16"	100	7
G3462	1 5/8"	100	9
G3463	2 7/8"	100	11
G3464	3 1/4"	100	13



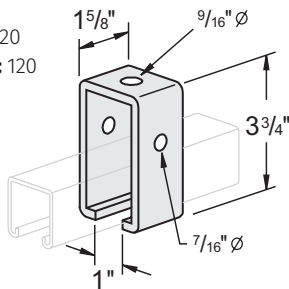
SWING GATE HANGER

PART #	USE WITH CHANNEL	(A)	SIZE (L)	CARTON QTY.	LBS./100 PCS.
G906	1 5/8"	9/16"	3 1/8"	20	23
G9061	1 5/8"	7/8"	3 1/8"	20	25
G9062	3 1/4"	9/16"	4 1/4"	20	30
G9063	3 1/4"	7/8"	4 1/4"	20	30

3 HOLE VERTICAL 1 5/8" CHANNEL U SUPPORT

G611

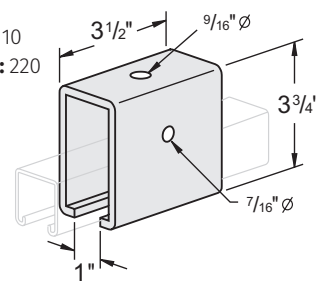
CARTON QTY: 20
LBS./100 PCS: 120



3 HOLE TROLLEY BEAM JOINT SUPPORT

G6111

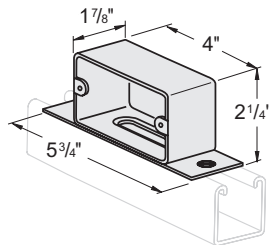
CARTON QTY: 10
LBS./100 PCS: 220



HANDY OUTLET BOX

G907

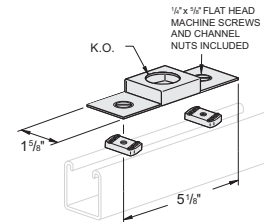
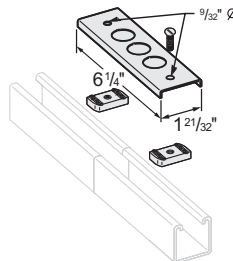
CARTON QTY: 20
LBS./100 PCS: 85



CONNECTION PLATE WITH 3 7/8" KNOCKOUTS

G908

CARTON QTY: 50
LBS./100 PCS: 35



CONDUIT CONNECTOR

PART #	SIZE	HOLE SIZE	CARTON QTY.	LBS./100 PCS.
G909	1/2"	7/8"	25	28
G9091	3/4"	1 3/32"	25	28

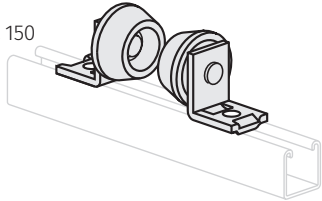
*NOTE: *Finish: Electro-galvanized.*

PIPE ROLLER & TROLLEY HARDWARE

G-STRUT® FITTINGS & ACCESSORIES

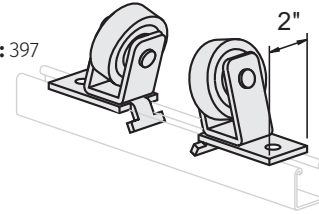
2 ROLLER NO SWIVEL ADJ. PIPE SUPPORT 1" - 8"

G901
BULK/CTN
LBS./100 PCS: 150



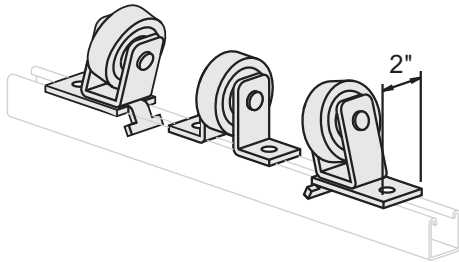
2 ROLLER ADJUSTABLE PIPE SUPPORT 6" - 18"

G902
BULK/CTN
LBS./100 PCS: 397



3 ROLLER ADJUSTABLE PIPE SUPPORT 20" - 30"

G903
BULK/CTN
LBS./100 PCS: 587

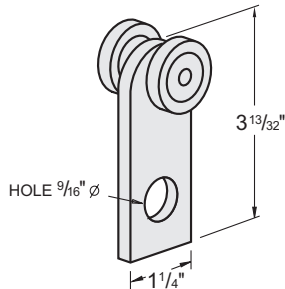


PIPE ROLLER ASSEMBLY

PART #	SIZE RANGE	CARTON QTY.	LBS./100 PCS.
G9041	1"-3"	BULK	159
G9042	2 1/2"-4"	BULK	166
G9043	4"-6"	BULK	179
G9044	6"-8"	BULK	182
G9045	9"-10"	BULK	190
G9046	12"	BULK	193

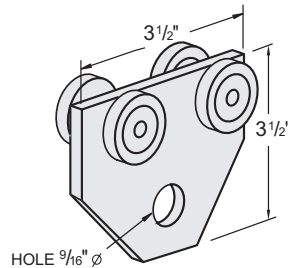
1 HOLE 2 WHEEL TROLLEY

GTR2WH
CARTON QTY: 20
LBS./100 PCS: 60



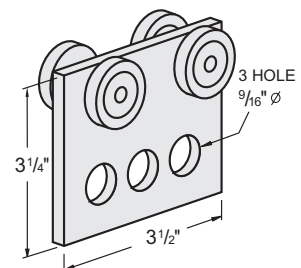
1 HOLE 4 WHEEL TROLLEY

GTR4WH
CARTON QTY: 10
LBS./100 PCS: 112



3 HOLE 4 WHEEL TROLLEY

GTR4WHU
BULK/CTN
LBS./100 PCS: 125



NOTE: *Material is 1 5/8" wide x 1/4" thick unless specified. Holes are 9/16" diameter unless specified.

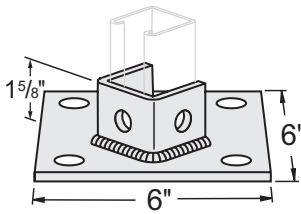
FITTINGS & ACCESSORIES

POST BASES

G-STRUT® FITTINGS & ACCESSORIES

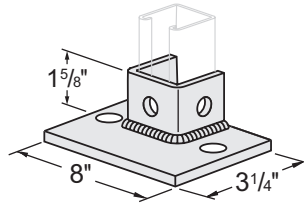
7 HOLE SINGLE POST BASE DIAGONAL

G619
CARTON QTY: 6
LBS./100 PCS: 275



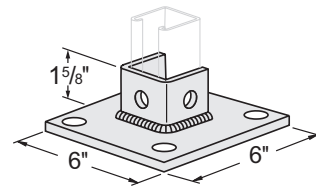
5 HOLE SINGLE POST BASE FLUSH

G619FL
CARTON QTY: 6
LBS./100 PCS: 230



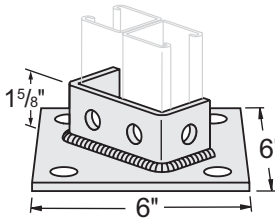
7 HOLE SINGLE POST BASE

G619SQ
CARTON QTY: 6
LBS./100 PCS: 275



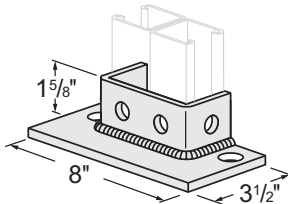
8 HOLE DOUBLE POST BASE DIAGONAL

G619A
CARTON QTY: 6
LBS./100 PCS: 325



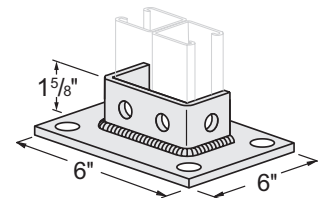
6 HOLE DOUBLE POST BASE FLUSH

G619AFL
CARTON QTY: 6
LBS./100 PCS: 250



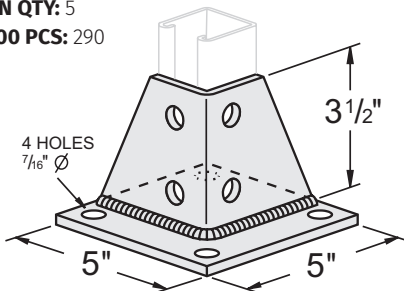
8 HOLE DOUBLE POST BASE

G619ASQ
CARTON QTY: 6
LBS./100 PCS: 307



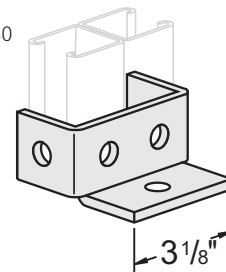
8 HOLE GUSSETED POST BASE

G621
CARTON QTY: 5
LBS./100 PCS: 290



5 HOLE DOUBLE CHANNEL POST BASE

G621A
CARTON QTY: 5
LBS./100 PCS: 130



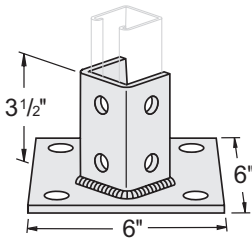
*NOTE: *Material is 1 5/8" wide x 1/4" thick unless specified. Holes are 9/16" diameter unless specified.*

POST BASES

G-STRUT® FITTINGS & ACCESSORIES

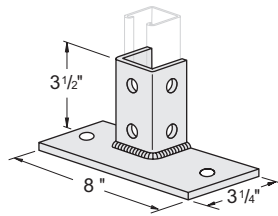
10 HOLE SINGLE POST BASE DIAGONAL

G620
CARTON QTY: 6
LBS./100 PCS: 333



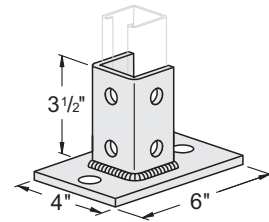
8 HOLE SINGLE POST BASE FLUSH

G620FL
CARTON QTY: 6
LBS./100 PCS: 312



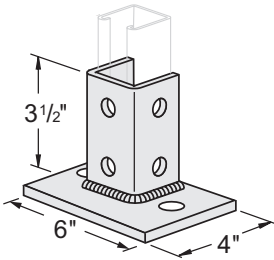
6 HOLE SINGLE POST BASE

G620FL1
CARTON QTY: 6
LBS./100 PCS: 257



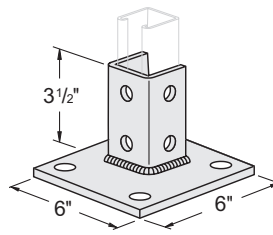
6 HOLE SINGLE POST BASE FLUSH

G620FL2
CARTON QTY: 6
LBS./100 PCS: 257



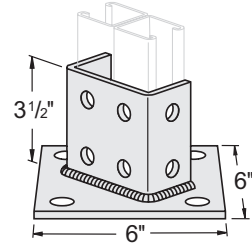
10 HOLE SINGLE POST BASE

G620SQ
CARTON QTY: 6
LBS./100 PCS: 333



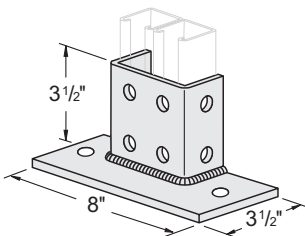
12 HOLE DOUBLE POST BASE DIAGONAL

G620A
CARTON QTY: 6
LBS./100 PCS: 375



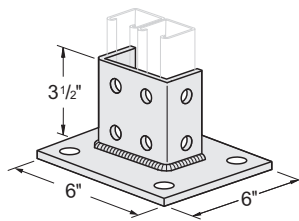
10 HOLE DOUBLE POST BASE FLUSH

G620AFL
CARTON QTY: 6
LBS./100 PCS: 320



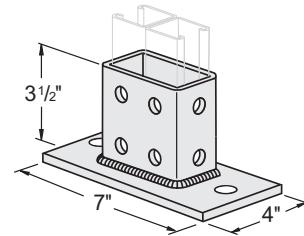
12 HOLE DOUBLE POST BASE

G620ASQ
CARTON QTY: 6
LBS./100 PCS: 375



14 HOLE CLOSED DOUBLE POST BASE

G620ASQ1
CARTON QTY: 5
LBS./100 PCS: 311

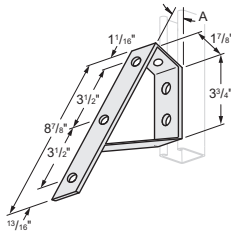


*NOTE: *Material is 1 5/8" wide x 1/4" thick unless specified. Holes are 9/16" diameter unless specified.*

BRACKET FITTINGS

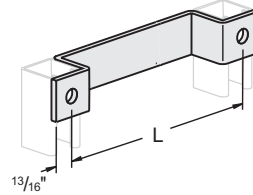
G-STRUT® FITTINGS & ACCESSORIES

6 HOLE STAIR SUPPORT



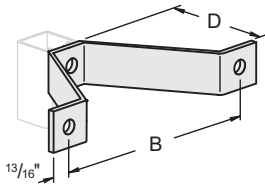
PART #	ANGLE (A)	CARTON QTY.	LBS./ 100 PCS.
GM601	37 1/2°	BULK	206
GM602	45°	BULK	220

2 HOLE LADDER RUNG



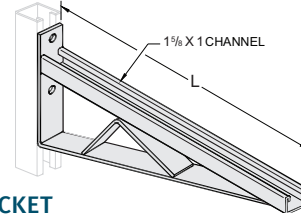
PART #	ANGLE (A)	CARTON QTY.	LBS./ 100 PCS.
GM6101	12"	BULK	176
GM6102	15"	BULK	202
GM6103	18"	BULK	234

3 HOLE WALL BRACKET



PART #	WIDE (B)	DEEP (D)	CARTON QTY.	LBS./ 100 PCS.
GM6111	6"	2 3/8"	BULK	164
GM6112	8"	4 3/8"	BULK	200
GM6113	10"	6 3/8"	BULK	253
GM6114	12"	8 3/8"	BULK	272
GM6115	14"	10 3/8"	BULK	318

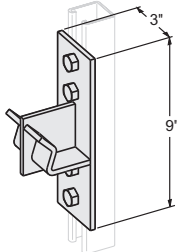
SINGLE BRACED BRACKET



PART #	SIZE (L)	CARTON QTY.	LBS./ 100 PCS.
GT6251	12"	BULK	388
GT6252	18"	BULK	506
GT6253	24"	BULK	673

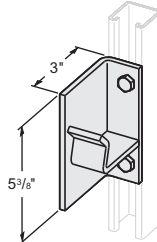
4 HOLE DOUBLE AXLE SUPPORT - 1 1/2" PIPE

G605A
BULK/CTN
LBS./100 PCS: 326



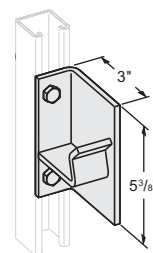
2 HOLE AXLE SUPPORT (LEFT HAND)

G605L
BULK/CTN
LBS./100 PCS: 225



2 HOLE AXLE SUPPORT (RIGHT HAND)

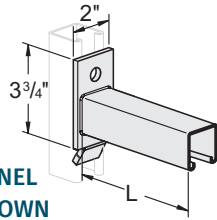
G605R
BULK/CTN
LBS./100 PCS: 225



NOTE: *Material is 1 5/8" wide x 1/4" thick unless specified. Holes are 9/16" diameter unless specified.

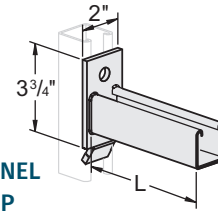
BRACKET FITTINGS

G-STRUT® FITTINGS & ACCESSORIES



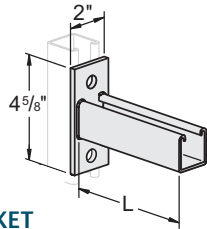
**NO SWIVEL CHANNEL
BRACKET OPEN DOWN**

☰	PART #	SIZE (L)	CARTON QTY.	LBS./ 100 PCS.
	GT6091	6"	10	161
	GT6092	12"	10	261
	GT6093	18"	5	361
	GT6094	24"	5	461



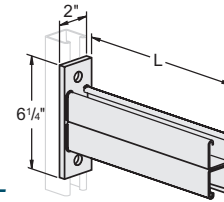
**NO SWIVEL CHANNEL
BRACKET OPEN UP**

☰	PART #	SIZE (L)	CARTON QTY.	LBS./ 100 PCS.
	GT6181	6"	10	161
	GT6182	12"	10	261
	GT6183	18"	5	361
	GT6184	24"	5	461



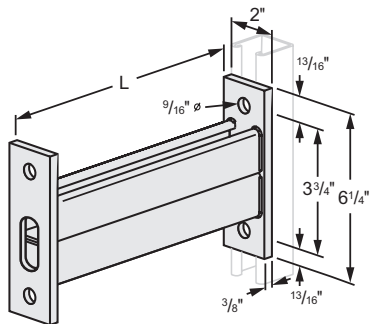
**SINGLE CHANNEL
FLAT PLATE BRACKET**

☰	PART #	SIZE (L)	CARTON QTY.	LBS./ 100 PCS.
	GT6121	6"	10	158
	GT6122	12"	10	239
	GT6123	18"	5	401
	GT6124	24"	5	509



**DOUBLE CHANNEL
FLAT PLATE BRACKET**

☰	PART #	SIZE (L)	CARTON QTY.	LBS./ 100 PCS.
	GT61112	12"	BULK	490
	GT61118	18"	BULK	670
	GT61124	24"	BULK	860
	GT61130	30"	BULK	1050
	GT61136	36"	BULK	1240
	GT61142	42"	BULK	1430



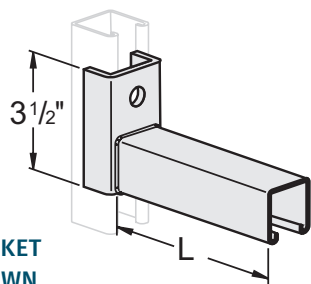
DOUBLE CHANNEL STANCHION BRACKET

☰	PART #	SIZE (L)	CARTON QTY.	LBS./ 100 PCS.
	GT6101	24"	BULK	960
	GT6102	30"	BULK	1150
	GT6103	36"	BULK	1340
	GT6104	42"	BULK	1530
	GT6105	48"	BULK	1720

NOTE: *Material is 1 5/8" wide x 1/4" thick unless specified. Holes are 9/16" diameter unless specified.

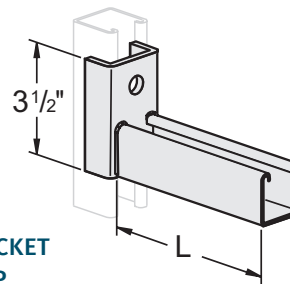
BRACKET FITTINGS

G-STRUT® FITTINGS & ACCESSORIES



**CLEVIS BRACKET
OPENING DOWN**

PART #	SIZE (L)	CARTON QTY.	LBS./100 PCS.
GT613	6"	10	191
GT6131	12"	10	292

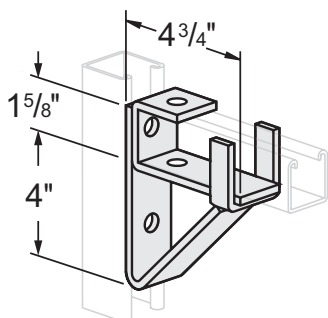


**CLEVIS BRACKET
OPENING UP**

PART #	SIZE (L)	CARTON QTY.	LBS./100 PCS.
GT614	6"	10	191
GT6141	12"	10	292

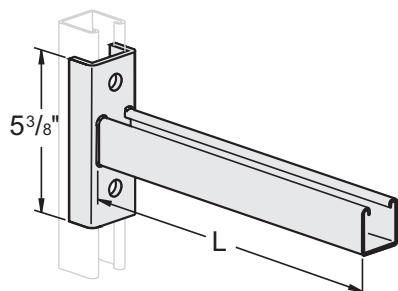
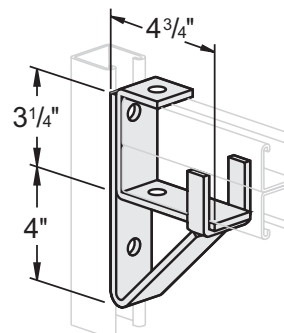
**SINGLE CHANNEL
BRACKET SUPPORT**

GT615
CARTON QTY: 10
LBS./100 PCS: 235



**DOUBLE CHANNEL
BRACKET SUPPORT**

GT616
BULK/CTN
LBS./100 PCS: 275



SINGLE CHANNEL REVERSIBLE CLEVIS BRACKET

PART #	SIZE (L)	CARTON QTY.	LBS./100 PCS.
GT6171	18"	5	436
GT6172	24"	5	536

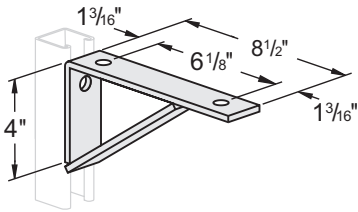
NOTE: *Material is 1 5/8" wide x 1/4" thick unless specified. Holes are 9/16" diameter unless specified.

SHELF BRACKETS

G-STRUT® FITTINGS & ACCESSORIES

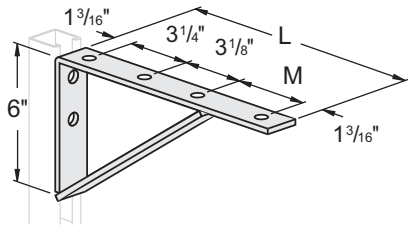
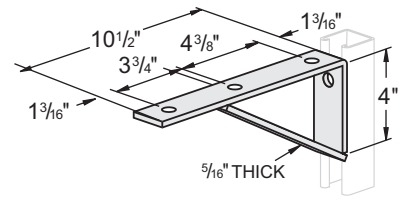
3 HOLE HEAVY DUTY SHELF BRACKET

GT6191
BULK/CTN
LBS./100 PCS: 175



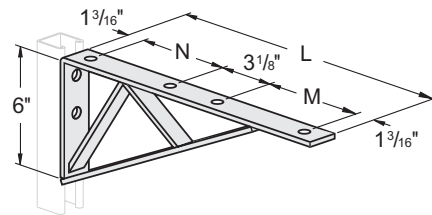
4 HOLE HEAVY DUTY SHELF BRACKET

GT6192
BULK/CTN
LBS./100 PCS: 200



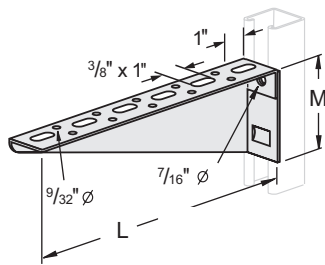
6 HOLE HEAVY DUTY SHELF BRACKET

PART #	SIZE (L)	SIZE (M)	CARTON QTY.	LBS./ 100 PCS.
GT6193	12 1/2"	3 3/4"	BULK	260
GT6194	14 1/2"	5 3/4"	BULK	295



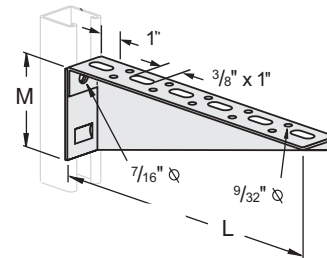
6 HOLE HEAVY DUTY BRACED SHELF BRACKET

PART #	SIZE (L)	SIZE (N)	SIZE (M)	CARTON QTY.	LBS./ 100 PCS.
GT6231	16 1/2"	5 1/4"	5 3/4"	BULK	385
GT6232	18 1/2"	5 1/4"	7 3/4"	BULK	420
GT6233	20 1/2"	7 1/4"	7 3/4"	BULK	460



12 GAUGE SHELF BRACKET WITH SLOTS (LEFT HAND)

PART #	SIZE (L)	SIZE (M)	CARTON QTY.	LBS./ 100 PCS.
GT6206L	6"	1 15/16"	BULK	67
GT6208L	8"	2 7/16"	BULK	92
GT62010L	10"	2 15/16"	BULK	120



12 GAUGE SHELF BRACKET WITH SLOTS (RIGHT HAND)

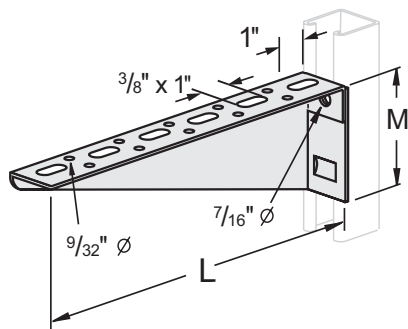
PART #	SIZE (L)	SIZE (M)	CARTON QTY.	LBS./ 100 PCS.
GT6206R	6"	1 15/16"	BULK	67
GT6208R	8"	2 7/16"	BULK	92
GT62010R	10"	2 15/16"	BULK	120

*NOTE: *Finish: Electro-galvanized. Also available in stainless steel & hot-dipped galvanized.*

SHELF BRACKETS

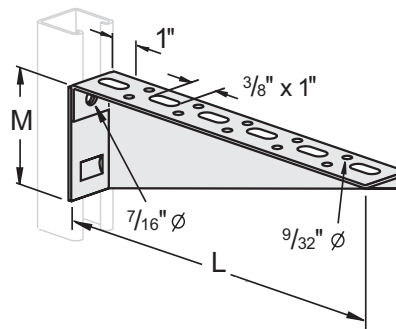
G-STRUT® FITTINGS & ACCESSORIES

FITTINGS & ACCESSORIES



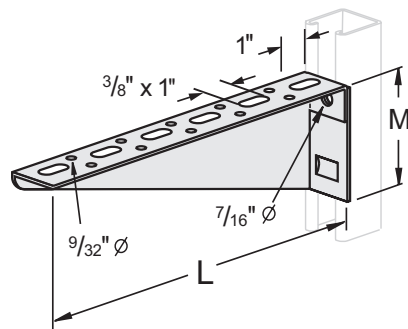
12 GAUGE SHELF BRACKET WITH SLOTS (LEFT HAND)

PART #	SIZE (L)	SIZE (M)	CARTON QTY.	LBS./ 100 PCS.
GT62112L	12"	3 7/16"	BULK	152
GT62114L	14"	3 15/16"	BULK	173
GT62116L	16"	4 7/16"	BULK	223
GT62118L	18"	4 15/16"	BULK	266
GT62120L	20"	5 7/16"	BULK	295
GT62122L	22"	5 15/16"	BULK	361



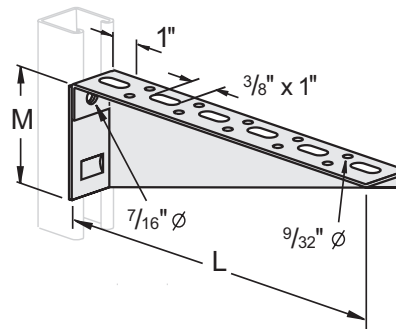
12 GAUGE SHELF BRACKET WITH SLOTS (LEFT HAND)

PART #	SIZE (L)	SIZE (M)	CARTON QTY.	LBS./ 100 PCS.
GT62112R	12"	3 7/16"	BULK	152
GT62114R	14"	3 15/16"	BULK	173
GT62116R	16"	4 7/16"	BULK	223
GT62118R	18"	4 15/16"	BULK	266
GT62120R	20"	5 7/16"	BULK	295
GT62122R	22"	5 15/16"	BULK	361



12 GAUGE SHELF BRACKET WITH SLOTS (LEFT HAND)

PART #	SIZE (L)	SIZE (M)	CARTON QTY.	LBS./ 100 PCS.
GT62224L	24"	6 7/16"	BULK	400
GT62226L	26"	6 15/16"	BULK	456
GT62228L	28"	7 7/16"	BULK	479
GT62230L	30"	7 15/16"	BULK	544



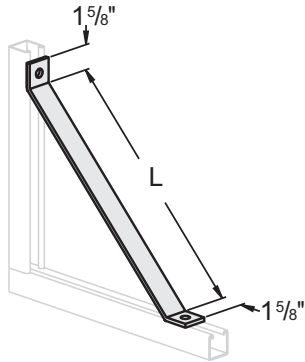
12 GAUGE SHELF BRACKET WITH SLOTS (LEFT HAND)

PART #	SIZE (L)	SIZE (M)	CARTON QTY.	LBS./ 100 PCS.
GT62224R	24"	6 7/16"	BULK	400
GT62226R	26"	6 15/16"	BULK	456
GT62228R	28"	7 7/16"	BULK	479
GT62230R	30"	7 15/16"	BULK	544

NOTE: *Finish: Electro-galvanized. Also available in stainless steel & hot-dipped galvanized.

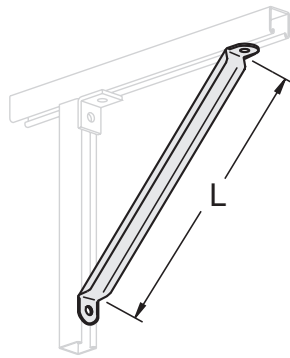
BRACE FITTINGS

G-STRUT® FITTINGS & ACCESSORIES



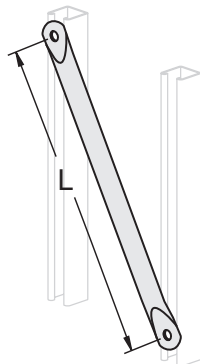
KNEE BRACE

	PART #	SIZE (L)	CARTON QTY.	LBS./ 100 PCS.
	G603	18"	BULK	238
	G6031	16 5/8"	BULK	230
	G6032	12"	15	168
	G6033	24"	BULK	280



2 HOLE TUBING BRACE

	PART #	SIZE (L)	CARTON QTY.	LBS./ 100 PCS.
	G6081	18"	BULK	145
	G6082	24"	BULK	186
	G6083	30"	BULK	225
	G6084	36"	BULK	266
	G6085	42"	BULK	307
	G6086	48"	BULK	348
	G6087	54"	BULK	389
	G6088	60"	BULK	430



2 HOLE STRAIGHT TUBING BRACE

	PART #	SIZE (L)	CARTON QTY.	LBS./ 100 PCS.
	GTB6081	18"	BULK	133
	GTB6082	24"	BULK	174
	GTB6083	30"	BULK	215
	GTB6084	36"	BULK	205
	GTB6085	42"	BULK	235
	GTB6086	48"	BULK	270
	GTB6087	54"	BULK	300
	GTB6088	60"	BULK	335
	GTB6089	72"	BULK	400
	GTB60810	84"	BULK	585
	GTB60811	96"	BULK	670

NOTE: *Finish: Electro-galvanized. Also available in stainless steel & hot-dipped galvanized.

SECTION 4

G-STRUT® CLAMPS & PIPE SUPPORTS

GENERAL:

G-STRUT® Clamps are inserted at any point along the open slot of strut products and bolted closed over the conduit, pipe or tubing. This allows for easy alignment and adjustment of multiple runs and secure mounting.

MATERIAL:

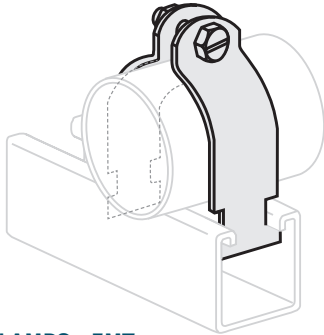
G-STRUT® Clamps are formed in punch presses and made from hot or cold rolled steel conforming to ASTM standards A-366, A-570 and A-576.

FINISHES:

Standard finish is electro-plated. Also available in custom finishes and materials including, hot-dip galvanized, stainless, copper plated, aluminum, and yellow zinc (gold). Consult factory for other finishes.

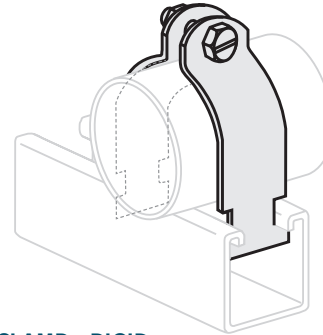
CONDUIT CLAMPS

G-STRUT® CLAMPS



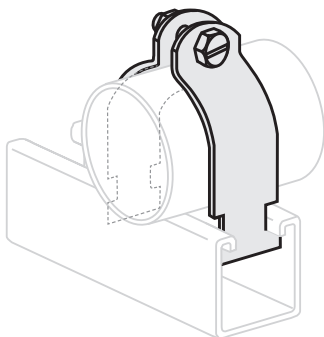
CONDUIT CLAMPS - EMT
ASSEMBLED

	PART #	PIPE SIZE	CARTON QTY.	LBS./ 100 PCS.
	GC110050ASMBL	1/2"	100	11
	GC110075ASMBL	3/4"	100	12
	GC110100ASMBL	1"	100	15
	GC110125ASMBL	1 1/4"	100	18
	GC110150ASMBL	1 1/2"	50	29
	GC110200ASMBL	2"	50	33



CONDUIT CLAMP - RIGID
ASSEMBLED

	PART #	PIPE SIZE	CARTON QTY.	LBS./ 100 PCS.
	GC112050ASMBL	1/2"	100	11
	GC112075ASMBL	3/4"	100	15
	GC112100ASMBL	1"	100	17
	GC112125ASMBL	1 1/4"	100	19
	GC112150ASMBL	1 1/2"	50	29
	GC112200ASMBL	2"	50	34
	GC112250ASMBL	2 1/2"	50	40
	GC112300ASMBL	3"	50	47
	GC112350ASMBL	3 1/2"	25	62
	GC112400ASMBL	4"	25	67
	GC112500ASMBL	5"	25	80
	GC112600ASMBL	6"	25	102
	GC112800ASMBL	8"	25	130
	GC1121000ASMBL	10"	10	143



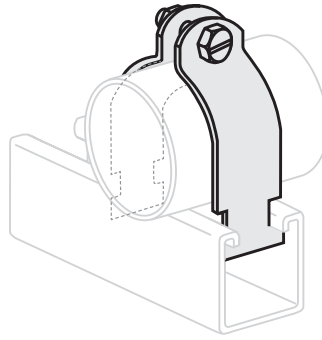
CONDUIT CLAMP - UNIVERSAL
ASSEMBLED

	PART #	PIPE SIZE	CARTON QTY.	LBS./ 100 PCS.
	GC114050ASMBL	1/2"	100	12
	GC114075ASMBL	3/4"	100	13
	GC114100ASMBL	1"	100	17
	GC114125ASMBL	1 1/4"	100	20
	GC114150ASMBL	1 1/2"	50	22
	GC114200ASMBL	2"	50	23

NOTE: *Finish: Electro-galvanized. Rigid clamps are also available in stainless steel, hot-dipped galvanized, yellow zinc (gold) & aluminum.

CONDUIT CLAMPS

G-STRUT® CLAMPS



CONDUIT CLAMPS - O.D. TUBING

PART #	O.D. SIZE	CARTON QTY.	LBS./ 100 PCS.
GC111025	1/4"	100	7
GC111037	3/8"	100	8
GC111050	1/2"	100	8
GC111062	5/8"	100	9
GC111075	3/4"	100	10
GC111087	7/8"	100	11
GC111100	1"	100	12
GC111112	1 1/8"	100	14
GC111125	1 1/4"	100	15
GC111137	1 3/8"	100	16
GC111150	1 1/2"	100	17
GC111162	1 5/8"	100	18
GC111175	1 3/4"	50	26
GC111187	1 7/8"	50	28
GC111200	2"	50	29
GC111212	2 1/8"	50	29
GC111225	2 1/4"	50	32
GC111237	2 3/8"	50	32
GC111250	2 1/2"	50	33
GC111262	2 5/8"	50	34
GC111275	2 3/4"	50	35
GC111287	2 7/8"	50	36
GC111300	3"	50	37
GC111312	3 1/8"	50	38
GC111325	3 1/4"	50	40
GC111337	3 3/8"	50	42
GC111350	3 1/2"	50	45
GC111362	3 5/8"	25	54
GC111375	3 3/4"	25	56
GC111387	3 7/8"	25	57
GC111400	4"	25	58
GC111412	4 1/8"	25	60
GC111425	4 1/4"	25	61
GC111437	4 3/8"	25	62
GC111450	4 1/2"	25	63
GC111462	4 5/8"	25	64
GC111475	4 3/4"	25	65
GC111487	4 7/8"	25	66
GC111500	5"	25	67

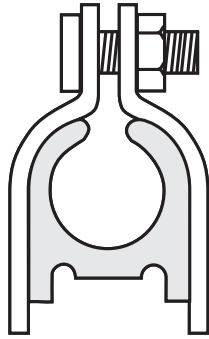
PART #	O.D. SIZE	CARTON QTY.	LBS./ 100 PCS.
GC111512	5 1/8"	25	69
GC111525	5 1/4"	25	70
GC111537	5 3/8"	25	74
GC111550	5 1/2"	25	76
GC111562	5 5/8"	25	83
GC111575	5 3/4"	25	87
GC111587	5 7/8"	25	88
GC111600	6"	25	90
GC111612	6 1/8"	25	91
GC111625	6 1/4"	25	92
GC111637	6 3/8"	25	93
GC111650	6 1/2"	25	94
GC111662	6 5/8"	25	96
GC111675	6 3/4"	25	97
GC111687	6 7/8"	25	98
GC111700	7"	25	101
GC111712	7 1/8"	25	103
GC111725	7 1/4"	25	104
GC111737	7 3/8"	25	105
GC111750	7 1/2"	25	106
GC111762	7 5/8"	25	107
GC111775	7 3/4"	25	111
GC111787	7 7/8"	25	112
GC111800	8"	25	113
GC111812	8 1/8"	25	114
GC111825	8 1/4"	25	115
GC111837	8 3/8"	25	116
GC111850	8 1/2"	25	117
GC111862	8 5/8"	25	118
GC111875	8 3/4"	25	119
GC111887	8 7/8"	25	120
GC111900	9"	25	121
GC111912	9 1/8"	25	123
GC111925	9 1/4"	25	124
GC111937	9 3/8"	25	126
GC111950	9 1/2"	25	128
GC111962	9 5/8"	25	131
GC111975	9 3/4"	25	132
GC111987	9 7/8"	25	135

PART #	O.D. SIZE	CARTON QTY.	LBS./ 100 PCS.
GC1111000	10"	25	136
GC1111012	10 1/8"	25	137
GC1111025	10 1/4"	25	138
GC1111037	10 3/8"	25	140
GC1111050	10 1/2"	25	143
GC1111062	10 5/8"	25	145
GC1111075	10 3/4"	25	146
GC1111087	10 7/8"	25	146

NOTE: *Finish: Electro-galvanized. Also available in stainless steel & aluminum.

CUSHION CLAMPS

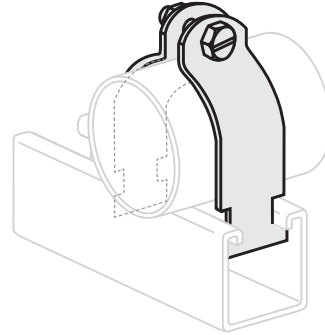
G-STRUT® CLAMPS



CUSHION CLAMPS - TUBE

FINISH: YELLOW ZINC (GOLD)

	PART #	PIPE SIZE	CARTON QTY.	LBS./ 100 PCS.
	GC1025	1/4"	25	11
	GC1037	3/8"	25	12
	GC1050	1/2"	25	13
	GC1062	5/8"	25	15
	GC1075	3/4"	25	19
	GC1087	7/8"	25	21
	GC1100	1"	25	25
	GC1112	1 1/8"	25	29
	GC1125	1 1/4"	10	29
	GC1137	1 3/8"	10	38
	GC1150	1 1/2"	10	38
	GC1162	1 5/8"	10	40
	GC1175	1 3/4"	10	42
	GC1187	1 7/8"	10	46
	GC1200	2"	10	46
	GC1212	2 1/8"	10	58
	GC1237	2 3/8"	10	58
	GC1262	2 5/8"	10	58
	GC1300	3"	5	59
	GC1312	3 1/8"	5	69
	GC1362	3 5/8"	5	75
	GC1412	4 1/8"	5	90



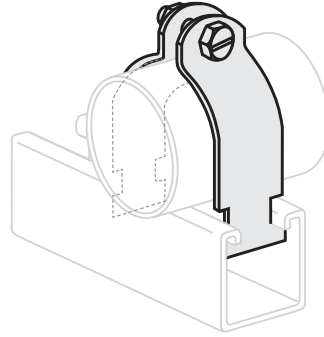
CONDUIT CLAMP - PIPE

FINISH: YELLOW ZINC (GOLD)

	PART #	PIPE SIZE	CARTON QTY.	LBS./ 100 PCS.
	GC2025	1/4"	25	12
	GC2037	3/8"	25	14
	GC2050	1/2"	25	21
	GC2075	3/4"	25	22
	GC2100	1"	25	24
	GC2125	1 1/4"	10	39
	GC2150	1 1/2"	10	43
	GC2200	2"	10	47
	GC2250	2 1/2"	10	55
	GC2300	3"	5	58
	GC2350	3 1/2"	5	60
	GC2400	4"	5	76
	GC2500	5"	5	93
	GC2600	6"	5	94

CONDUIT CLAMPS

G-STRUT® CLAMPS



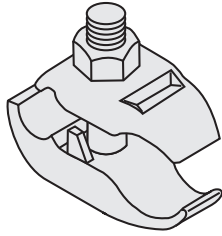
CONDUIT CLAMPS - O.D. TUBING

FINISH: COPPER PLATED

PART #	PIPE SIZE	O.D. SIZE	CARTON QTY.	LBS./ 100 PCS.
GC111037CT	1/4"	3/8"	100	8
GC111050CT	3/8"	1/2"	100	9
GC111062CT	1/2"	5/8"	100	10
GC111087CT	3/4"	7/8"	100	12
GC111112CT	1"	1 1/8"	100	15
GC111137CT	1 1/4"	1 3/8"	100	17
GC111162CT	1 1/2"	1 5/8"	100	19
GC111212CT	2 1/8"	2 1/8"	50	32
GC111262CT	2 1/2"	2 5/8"	50	37
GC111312CT	3"	3 1/8"	50	43
GC111362CT	3 1/2"	3 5/8"	25	56
GC111412CT	4"	4 1/8"	25	62
GC111512CT	5"	5 1/8"	25	76
GC111612CT	6"	6 1/8"	25	96
GC111800CT	8"	8 1/8"	25	123

PIPE CLAMPS

G-STRUT® CLAMPS

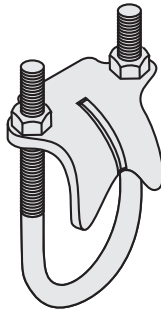


PARALLEL CLAMPS

FINISH: HOT-DIP GALVANIZED

	PART #	PIPE SIZE	CARTON QTY.	LBS./ 100 PCS.
	G1112075	3/4"	10	64
	G1112100	1"	10	70

NOTE: *Designate SS(316) in part #, if 316 stainless steel finish is desired.

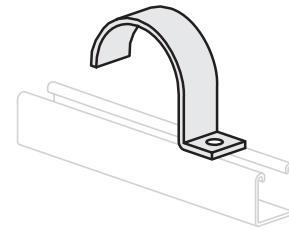


RIGHT ANGLE CLAMP

FINISH: HOT-DIP GALVANIZED

	PART #	PIPE SIZE	CARTON QTY.	LBS./ 100 PCS.
	GRA050	1/2"	25	41
	GRA075	3/4"	25	42
	GRA100	1"	25	47
	GRA125	1 1/4"	25	54
	GRA150	1 1/2"	25	57
	GRA200	2"	10	85
	GRA250	2 1/2"	10	106
	GRA300	3"	5	110
	GRA350	3 1/2"	5	128
	GRA400	4"	5	140

NOTE: *Designate SS(316) in part #, if 316 stainless steel finish is desired.



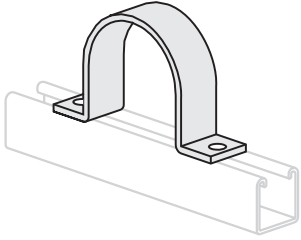
1 HOLE TUBING CLAMP

FINISH: ELECTRO-GALVANIZED

	PART #	PIPE SIZE	CARTON QTY.	LBS./ 100 PCS.
	G1109025	1/4"	100	3
	G1109031	5/16"	100	3
	G1109037	3/8"	100	4
	G1109050	1/2"	100	4
	G1109062	5/8"	100	5
	G1109075	3/4"	100	6
	G1109087	7/8"	100	6
	G1109100	1"	100	7

PIPE CLAMPS

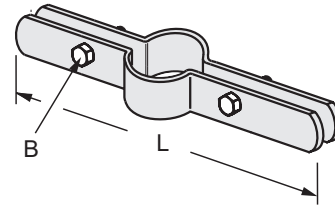
G-STRUT® CLAMPS



2 HOLE PIPE STRAP

FINISH: ELECTRO-GALVANIZED FOR IRON PIPE & RIGID CONDUIT

	PART #	PIPE SIZE	CARTON QTY.	LBS./ 100 PCS.
	G1108050	1/2"	25	23
	G1108075	3/4"	25	26
	G1108100	1"	25	31
	G1108125	1 1/4"	25	35
	G1108150	1 1/2"	25	39
	G1108200	2"	10	94
	G1108250	2 1/2"	10	114
	G1108300	3"	10	133
	G1108350	3 1/2"	BULK	152
	G1108400	4"	BULK	176
	G1108500	5"	BULK	198
	G1108600	6"	BULK	225
	G1108800	8"	BULK	300



RISER CLAMP

FINISH: PLAIN*

	PART #	PIPE SIZE	SIZE	BOLT SIZE (B)	CARTON QTY.	LBS./ 100 PCS.
	GRCL050PLAIN	1/2"	9"	3/8-16 X 1 1/4"	25	101
	GRCL075PLAIN	3/4"	9 1/4"	3/8-16 X 1 1/4"	25	105
	GRCL100PLAIN	1"	9 9/16"	3/8-16 X 1 1/4"	25	109
	GRCL125PLAIN	1 1/4"	10"	3/8-16 X 1 1/4"	100	112
	GRCL150PLAIN	1 1/2"	10 1/4"	3/8-16 X 1 1/2"	20	113
	GRCL200PLAIN	2"	10 3/4"	3/8-16 X 1 1/2"	20	165
	GRCL250PLAIN	2 1/2"	11 1/4"	3/8-16 X 1 1/2"	25	180
	GRCL300PLAIN	3"	11 5/16"	3/8-16 X 1 1/2"	25	195
	GRCL350PLAIN	3 1/2"	12 3/8"	1/2-13 X 1 3/4"	20	217
	GRCL400PLAIN	4"	12 7/8"	1/2-13 X 1 3/4"	20	228
	GRCL500PLAIN	5"	14	1/2-13 X 1 3/4"	100	480
	GRCL600PLAIN	6"	15 3/16"	1/2-13 X 2"	100	526

NOTE: *Remove "PLAIN" in part #, if electro-galvanized finish is desired.

E-Z CLAMP

G-STRUT® CLAMPS



One-piece pipe, cable and conduit strut clamp

- Versatile in the field
- Heavy-duty construction with electro-galvanized finish
- Full range of sizes from 1/2" to 4"
- Adapts universally with equal trade sizes – rigid conduit, EMT, cable, etc.
- Works with all strut channel depths from 13/16" to 3 1/4"
- One fully assembled piece right out of the box
- One hand installation
- Captured bolt attached to load distribution plate saddle; no small fasteners to drop
- Protective saddle inhibits cable and conduit damage
- Universal hex bolt head easily fastens with nut driver, screwdriver, wrench or ratchet
- Makes side-to-side conduit runs easier to install
- Can be easily removed/repositioned without disturbing adjacent clamps in run

E-Z CLAMP, ONE-PIECE PIPE, CABLE AND CONDUIT STRUT CLAMP

PART #	NOM. PIPE SIZE	CABLE O.D. RANGE (IN.)		MAX. REC. LOAD (LBS.)	CARTON QTY.
		MIN	MAX		
GEZ050	1/2"	0.34	0.71	200	100
GEZ075	3/4"	0.57	0.92	200	100
GEZ100	1"	0.72	1.16	200	100
GEZ125	1 1/4"	1.00	1.51	200	50
GEZ150	1 1/2"	1.25	1.74	350	50
GEZ200	2"	1.74	2.20	350	50
GEZ250	2 1/2"	2.38	2.88	350	25
GEZ300	3"	2.72	3.50	350	25
GEZ350	3 1/2"	3.25	4.00	350	25
GEZ400	4"	3.85	4.50	350	25

SECTION 5

G-STRUT® BEAM CLAMPS

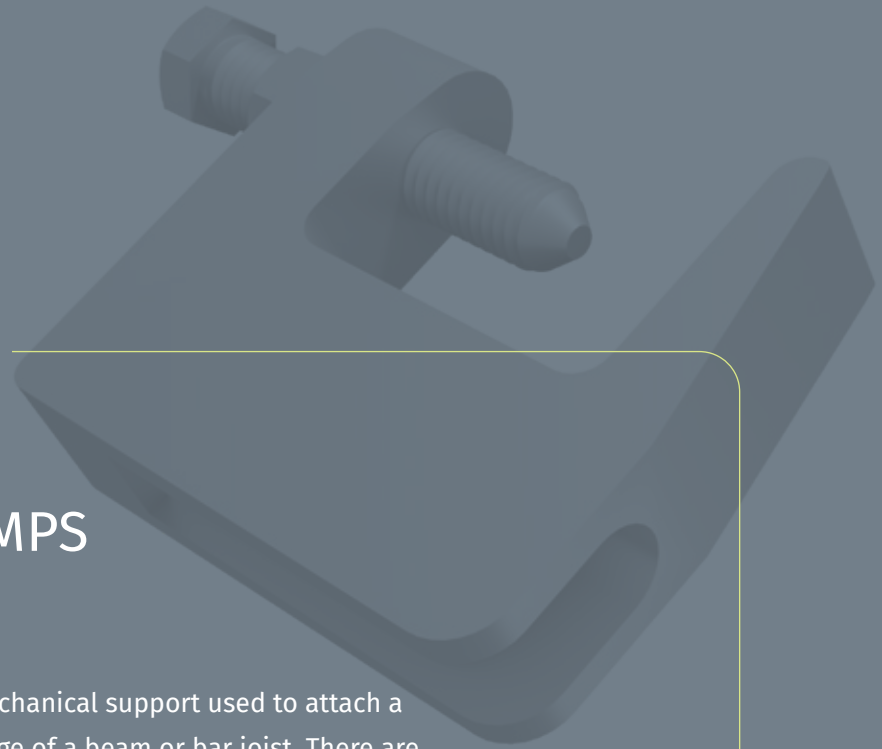
GENERAL:

A Beam Clamp is a mechanical support used to attach a hanger rod to top flange of a beam or bar joist. There are many types of beam clamps including small mouth/'junior', large mouth, c-clamp, purlin, center-load, light duty, etc.

They are uniquely designed to hang threaded rod and other devices from structural sections. The clamping design allows **G-STRUT®** beam clamps to be adjustable to multiple thicknesses. Moreover, beam clamps connect components to structural steel without drilling or welding which could compromise the integrity of the structural sections.

FINISHES:

Beam clamps are available in a variety of finishes (plain, electro-galv., stainless steel), substrates (malleable iron, steel) load ratings, UL/FM where indicated, and designs to fit the job.

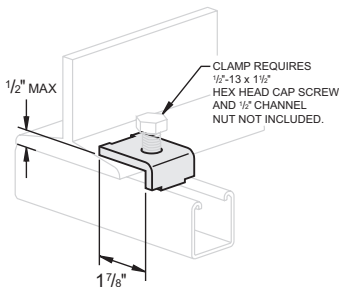


BEAM CLAMPS

G-STRUT® FITTINGS & ACCESSORIES

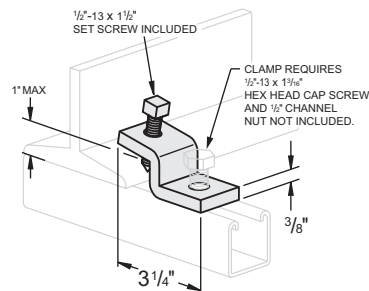
SINGLE BOLT SLOT HOLD BEAM CLAMP

G403
CARTON QTY: 50
LBS./100 PCS: 30

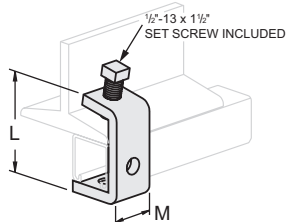


FLANGE CONTACT BEAM CLAMP

G406
CARTON QTY: 25
LBS./100 PCS: 62

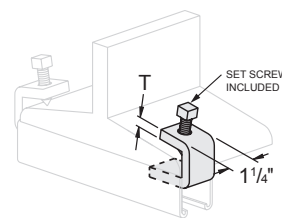


HEAVY DUTY FLANGE BEAM CLAMP



PART #	SIZE	HOLE SIZE	CARTON QTY.	LBS./100 PCS.
G407	2"	1 1/8"	25	90
G4071	1 5/8"	1 1/2"	25	94

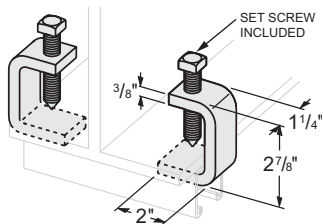
HEAVY DUTY FLANGE BEAM CLAMP FOR FLANGES UP TO 7/8" THICK



PART #	THICK (T)	CARTON QTY.	LBS./100 PCS.
G4081/4	1/4"	50	39
G4083/8	3/8"	25	58

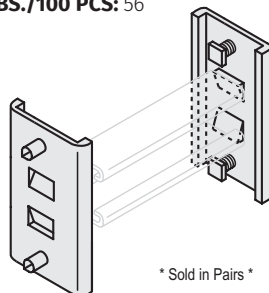
HEAVY DUTY FLANGE BEAM CLAMP FOR FLANGES UP TO 7/8" - 2" THICK

G409
CARTON QTY: 25
LBS./100 PCS: 79



COLUMN CLAMP FOR 13/16" CHANNEL

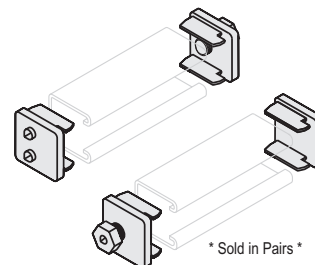
G418
CARTON QTY: 25
LBS./100 PCS: 56



* Sold in Pairs *

COLUMN CLAMP FOR 1 5/8" CHANNEL

G419
CARTON QTY: 25
LBS./100 PCS: 56

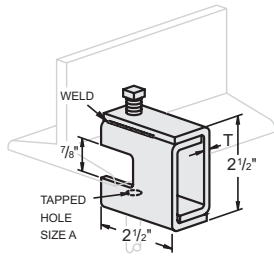


* Sold in Pairs *

NOTE: *Material is 1 5/8" wide x 1/4" thick unless specified. Holes are 9/16" diameter unless specified.

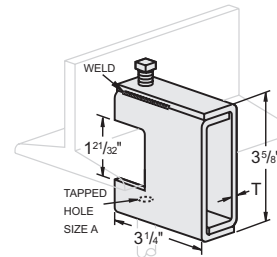
BEAM CLAMPS

G-STRUT® FITTINGS & ACCESSORIES



BEAM CLAMP WITH 7/8" JAW OPENING

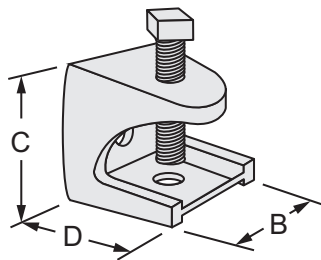
PART #	ROD SIZE (A)	CLAMP THICKNESS	CARTON QTY.	LBS./ 100 PCS.
G4102	1/4	1/8"	10	71
G4103	3/8	1/8"	10	72
G4104	3/8	3/16"	10	97
G4105	1/2	3/16"	10	97
G4106	1/2	1/4"	10	131
G4107	5/8	1/4"	10	131
G4108	5/8	5/16"	10	160
G4109	3/4	5/16"	10	160



BEAM CLAMP WITH 1 21/32" JAW OPENING

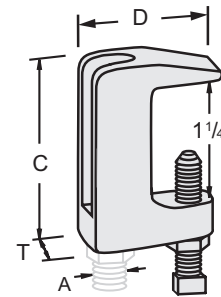
PART #	ROD SIZE (A)	CLAMP THICKNESS	CARTON QTY.	LBS./ 100 PCS.
G4110	1/4	1/8"	10	113
G4111	3/8	1/8"	10	113
G4111B	3/8	3/16"	10	151
G4112	1/2	3/16"	10	151
G4112B	1/2	1/4"	10	205
G4113	5/8	5/16"	10	246

BEAM CLAMPS



ROD INSULATOR DUCTILE BEAM CLAMP (ELECTRICIANS CLAMP)

PART #	ROD SIZE	WIDE (B)	DEEP (D)	HIGH (C)	MAX FLANGE	CARTON QTY.	LBS./ 100 PCS.
G4121	1/4	11/8"	11/4"	13/8"	5/8"	100	22
G4122	3/8	2"	2"	13/4"	3/4"	25	70
G4123	1/2	2 5/16"	2 1/8"	2 1/8"	7/8"	25	120



WIDE THROAT DUCTILE BEAM CLAMP (LARGE MOUTH)

FINISH: PLAIN

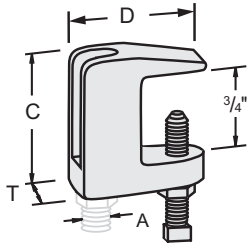
*Designate EG in part #, if electro-galvanized finish is desired.

PART #	ROD SIZE (A)	THICKNESS (T)	HIGH (C)	DEEP (D)	CARTON QTY.	LBS./ 100 PCS.
G4131	3/8	15/16"	2"	13/4"	50	37
G4132	1/2	15/16"	2 1/8"	13/4"	50	42
G4133	5/8	1 1/4"	2 1/4"	2 3/8"	50	80
G4134	3/4	13/8"	2 1/2"	2 1/2"	50	95

NOTE: *Material: Steel (unless specified). Finish: Electro-galvanized (unless specified).

BEAM CLAMPS

G-STRUT® FITTINGS & ACCESSORIES



UNIVERSAL DUCTILE BEAM CLAMP (SMALL MOUTH)

*Designate EG in part #, if electro-galvanized finish is desired.

PART #	ROD SIZE (A)	THICKNESS (T)	HIGH (C)	DEEP (D)	CARTON QTY.	LBS./ 100 PCS.
G4142	3/8	13/16"	15/8"	17/8"	100	28
G4143	1/2	1 1/8"	13/4"	13/4"	100	40
G4144	5/8	1 1/8"	17/8"	17/8"	50	43
G4145	3/4	15/16"	17/8"	23/8"	50	69
G4146	7/8	15/16"	17/8"	23/8"	25	69

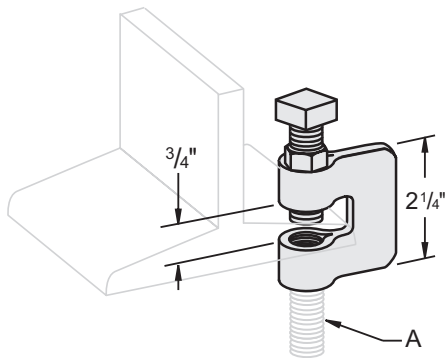
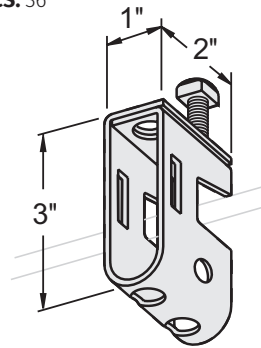
3/4" MAXIMUM FLANGE BEAM CLAMP

FINISH: ELECTRO-GALVANIZED

G415

CARTON QTY: 25

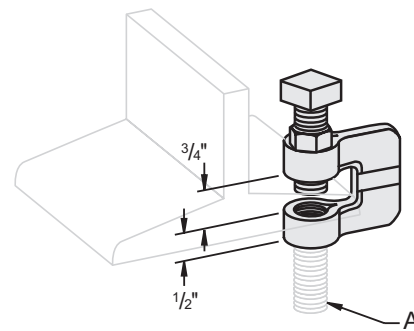
LBS./100 PCS: 36



STEEL C-CLAMP WITH LOCK NUT

*Designate EG in part #, if electro-galvanized finish is desired.

PART #	ROD SIZE (A)	CARTON QTY.	LBS./ 100 PCS.
G416	3/8	100	45
G4161	1/2	100	46
G4162	5/8	50	66
G4163	3/4	50	86
G4164	7/8	25	176



DUCTILE C-CLAMP WITH LOCK NUT

*Designate EG in part #, if electro-galvanized finish is desired.

PART #	ROD SIZE (A)	CARTON QTY.	LBS./ 100 PCS.
G417	3/8	100	26
G4171	1/2	100	29
G4172	5/8	50	72
G4173	3/4	50	98

NOTE: *Material: Steel (unless specified). Finish: Electro-galvanized (unless specified).

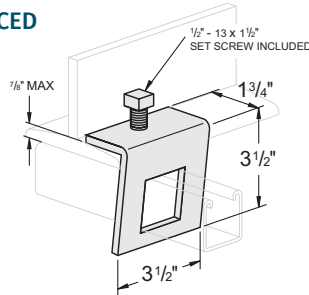
U-BOLTS & U BOLT BEAM CLAMPS

G-STRUT® FITTINGS & ACCESSORIES

BEAM CLAMP - PIERCED

G401

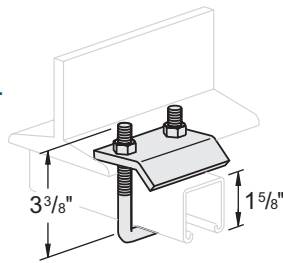
CARTON QTY: 25
LBS./100 PCS: 99



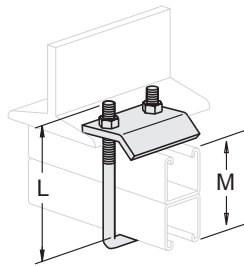
U-BOLT BEAM CLAMP FOR SINGLE CHANNEL

G402

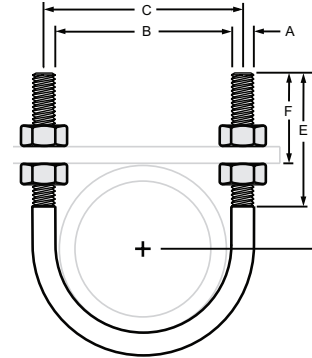
CARTON QTY: 25
LBS./100 PCS: 69



U-BOLT BEAM CLAMP FOR DOUBLE CHANNEL



PART #	ROD SIZE (A)	CLAMP THICKNESS	CARTON QTY.	LBS./100 PCS.
G4021	5"	3 1/4"	25	78
G4026	6 5/8"	4 7/8"	25	81
G4028	8 1/4"	6 1/2"	25	93



U-BOLT

PART #	PIPE SIZE	ROD SIZE (A)	(B)	(C)	(D)	(E)	(F)	CARTON QTY.	LBS./100 PCS.
GUB050	1/2		15/16"	13/16"			2 5/16"	100	11
GUB075	3/4	1/4"	1 1/8"	1 3/8"	2 3/4"	2 1/8"	2 7/32"	100	12
GUB100	1		1 3/8"	1 5/8"			2 3/32"	100	12
GUB125	1-1/4		1 11/16"	2 1/16"	2 7/8"	2 1/8"	2 1/32"	50	28
GUB150	1 1/2	3/8"	2"	2 3/8"	3"		2 1/16"	50	30
GUB200	2		2 7/16"	2 13/16"	3 1/4"	2 1/2"	2 1/16"	50	33
GUB250	2 1/2		2 15/16"	3 7/16"	3 3/4"		2 5/16"	25	73
GUB300	3		3 9/16"	4 1/16"	4"			25	78
GUB350	3 1/2	1/2"	4 1/16"	4 9/16"	4 1/4"	3"	2 1/4"	25	84
GUB400	4		4 9/16"	5 1/16"	4 1/2"			25	90
GUB500	5		5 5/8"	6 1/8"	5"		2 7/32"	10	101
GUB600	6		6 3/4"	7 3/8"	6 1/8"			10	200
GUB800	8	5/8"	8 3/4"	9 3/8"	7 1/8"	3 3/4"	2 13/16"	10	233
GUB1000	10	3/4"	10 7/8"	11 5/8"	8 3/8"	4"	3"	BULK	491
GUB1200	12		12 7/8"	13 3/4"	9 5/8"	4"		BULK	773
GUB1400	14	7/8"	14 1/8"	15"	10 1/4"		3 1/4"	BULK	830
GUB1600	16		16 1/8"	17	11 1/4"	4 1/4"		BULK	920
GUB1800	18		18 1/8"	19 1/8"	12 5/8"			BULK	1350
GUB2000	20	1"	20 1/8"	21 1/8"	13 5/8"	4 3/4"	3 5/8"	BULK	1460
GUB2400	24		24 1/8"	25 1/8"	15 5/8"			BULK	1690

NOTE: *Material is 1 5/8" wide x 1/4" thick unless specified. Holes are 9/16" diameter unless specified.

SECTION 6

G-STRUT® CONCRETE INSERTS & END CAPS

GENERAL:

Concrete inserts are available with Styrofoam strip inserts.

MATERIAL:

Inserts are available in 10' and 20' lengths. Consult factory for custom lengths.

FINISHES:

Inserts and end caps are available in pre-galvanized and plain. End caps also available in plastic.

CONCRETE INSERTS

G-STRUT® CONCRETE INSERTS & END CAPS

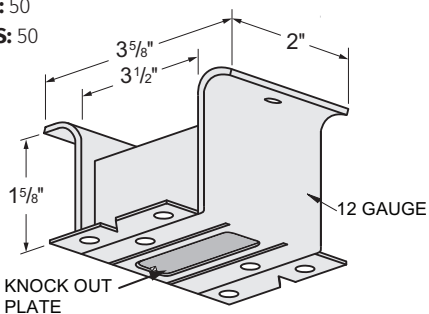
SPOT CONCRETE INSERT

FINISH: ELECTRO-GALVANIZED

GSPCI

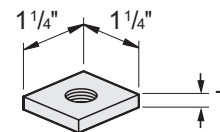
CARTON QTY: 50

LBS./100 PCS: 50

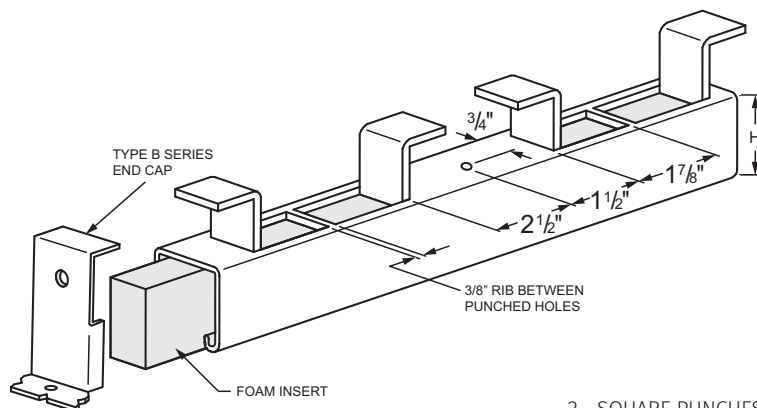


SQUARE SPOT INSERT NUT

FINISH: ELECTRO-GALVANIZED



	PART #	THREAD SIZE	THICK (T)	CARTON QTY.	LBS./100 PCS.
	GSS1/4	1/4-20	1/4"	100	10
	GSS3/8	3/8-16	3/8"	100	15
	GSS1/2	1/2-13	1/2"	100	18
	GSS5/8	5/8-11	1/2"	100	17
	GSS3/4	3/4-10	1/2"	100	15



2 - SQUARE PUNCHES 13/16" WIDE x 17/8" LONG REPEATS EVERY 4"

3/16" HOLE BETWEEN SQUARE PUNCHES REPEATS EVERY 8"

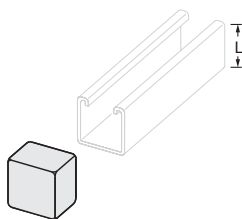
CONTINUOUS CONCRETE INSERT

FINISH: PRE-GALVANIZED

	PART #	HEIGHT (H)	STRUT LENGTH	BUNDLE QTY.	LBS./100 FT.
	G382IN1	1 3/8"	10'	240'	179
	G382IN2	1 3/8"	20'	480'	179
	G132IN1	13/16"	10'	240'	135
	G132IN2	13/16"	20'	480'	135
	G582IN1	1 5/8"	10'	240'	199
	G582IN2	1 5/8"	20'	480'	199

END CAPS & CLOSURE STRIPS

G-STRUT® CONCRETE INSERTS & END CAPS

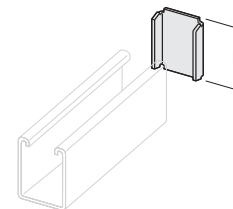


STRUT SAFETY END CAP

MATERIAL: WHITE COLOR PVC

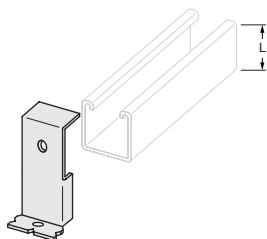
NOTE: *Consult factory for custom colors

PART #	SIZE (L)	CARTON QTY.	LBS./100 PCS.
GEC13	13/16"	100	2.5
GEC14	1 3/8"	100	2.5
GEC15	1 5/8"	100	4.2
GEC16	3 1/4"	100	7.3



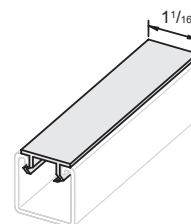
TYPE A END CAP

PART #	SIZE (L)	CHANNEL GAUGE	CARTON QTY.	LBS./100 PCS.
GECPG	1 5/8"	12GA	100	10
GECPG10	1 5/8"	14GA	100	8
GECPG0	1 3/8"	12GA	100	15
GECPG1	2 7/16"	12GA	100	4
GECPG2	13/16"	12GA	100	6
GECPG9	3 1/4"	12GA	100	16



TYPE B END CAP

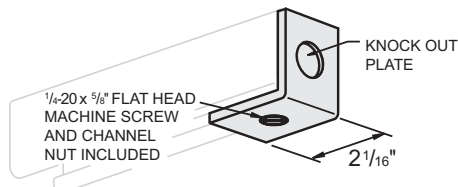
PART #	SIZE (L)	CARTON QTY.	LBS./100 PCS.
GECPG3	1 5/8"	100	11
GECPG4	1 3/8"	100	22
GECPG5	1"	100	5
GECPG6	13/16"	100	18
GECPG7	2 3/8"	100	12
GECPG8	3 7/32"	BULK	18



CLOSURE STRIP

NOTE: *Consult factory for other colors and finishes

PART #	MATERIAL	STRUT LENGTH	BUNDLE QTY.	LBS./100 FT.
GCLPG	PRE-GALVANIZED	10'	500'	450
GCLPL	PLASTIC (BLACK)	10'	500'	48



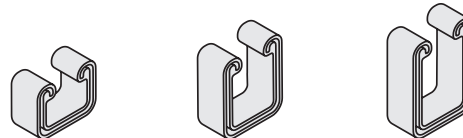
RACEWAY END CAP FOR 1 5/8" CHANNEL

PART #	SIZE (L)	CARTON QTY.	LBS./100 PCS.
G910	1/2"	50	21
G9101	3/4"	50	21

OPEN SAFETY END CAP

MATERIAL: GREY COLOR PVC

NOTE: *Consult factory for custom colors



GOEC17
13/16 CHANNEL
100 PCS./CTN.
3.5 LBS./100 PCS.

GOEC18
1 5/8 CHANNEL
100 PCS./CTN.
4.1 LBS./100 PCS.

GOEC19
3 1/4 CHANNEL
50 PCS./CTN.
5.6 LBS./100 PCS.

NOTE: *Standard finish: Electro-galvanized for metal end caps.

CONCRETE INSERTS & END CAPS

SECTION 7

G-STRUT® ROOFTOP SUPPORT BLOCKS

GENERAL:

- 100% recycled rubber block
- UV resistant materials
- Green reflector for high visibility and safety
- Innovative design inhibits floating and shifting
- Freeze and thaw resistant
- LEED certifiable product
- Vibration dampening
- Compatible with most rooftop materials

CHANNEL SIZES FOR BLOCKS:

Standard channel

- G134 (13/16" x 1 5/8", 14 gauge)

Custom size G-STRUT® channels available

- G132 (13/16" x 1 5/8", 12 gauge)
- G582 (1 5/8" x 1 5/8", 12 gauge)
- G712 (2 7/16" x 1 5/8", 12 gauge)
- G812 (3 1/4" x 1 5/8", 12 gauge)
- G582A (3 1/4" x 1 5/8", 12 gauge, back-to-back welded 1 5/8" channels)

CHANNEL FINISHES FOR BLOCKS:

Standard finish

- Pre-galvanized steel, G-90 (ASTM A-653)

Custom finishes

- Hot-dipped galvanized (ASTM A-123)
- Stainless steel, grades 304 and 316 (ASTM A-240)
- Aluminum (ASTM B-221)
- Powder coated (Green) (ASTM D-523-85, D-33693-74, D-2794-84, D-3359-83, D-522-93a)
- PVC coated black

100 SERIES

G-STRUT® ROOFTOP SUPPORT BLOCKS

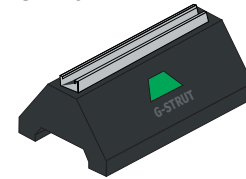
Standard roof block and channel

- Comes pre-assembled at factory
- 14 gauge, 13/16" pre-galvanized steel channel
- Uses standard strut fittings and clamps
- 100% recycled rubber block
- UV resistant materials
- Green reflector for high visibility and safety
- Innovative design inhibits floating and shifting
- Freeze and thaw resistant
- LEED certifiable product
- Vibration dampening
- Compatible with most rooftop materials

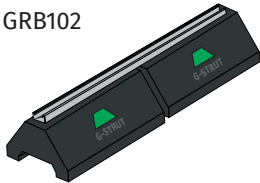
GRB100



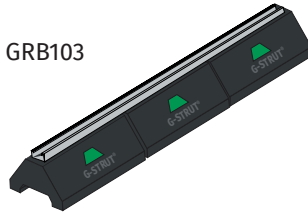
GRB101



GRB102



GRB103



GRB104



100 SERIES ROOFTOP SUPPORT BLOCK

☰	PART #	SIZE	DESCRIPTION
	GRB100	9.8"	SINGLE BASE, NO CHANNEL
	GRB101	9.8"	SINGLE BASE, WITH CHANNEL
	GRB102	20"	SYSTEM WITH 2 BASES
	GRB103	30"	SYSTEM WITH 3 BASES
	GRB104	40"	SYSTEM WITH 4 BASES

NOTE: *With 13/16" x 1 5/8", 14 gauge (G134), pre-galvanized steel strut channel (GRB100 is base only, no channel).

200 SERIES

G-STRUT® ROOFTOP SUPPORT BLOCKS

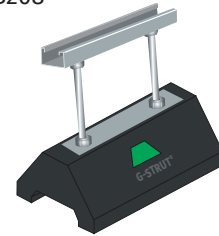
Riser rod platform with strut and LDP*

- Comes pre-assembled at factory
- 14 gauge, 13/16" pre-galvanized steel channel
- Uses standard strut fittings and clamps
- 100% recycled rubber block
- UV resistant materials
- Green reflector for high visibility and safety
- Innovative design inhibits floating and shifting
- Freeze and thaw resistant
- LEED certifiable product
- Vibration dampening
- Compatible with most rooftop materials
(consult with roofing manufacturing or contractor)

200 SERIES ROOFTOP SUPPORT BLOCK

	PART #	SIZE	DESCRIPTION
	GRB208	9.8"	CHANNEL WITH 8" RISER ROD AND LDP
	GRB212	9.8"	CHANNEL WITH 12" RISER ROD AND LDP
	GRB216	9.8"	CHANNEL WITH 16" RISER ROD AND LDP

GRB208



GRB212



GRB216



NOTE: *Load distribution plate.

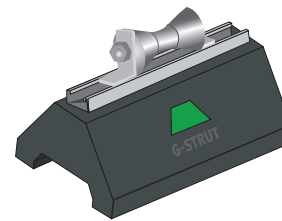
300 SERIES

G-STRUT® ROOFTOP SUPPORT BLOCKS

Roller stand block

- Comes pre-assembled at factory
- 14 gauge, 13/16" pre-galvanized steel channel
- Uses standard strut fittings and clamps
- 100% recycled rubber block
- UV resistant materials
- Green reflector for high visibility and safety
- Innovative design inhibits floating and shifting
- Freeze and thaw resistant
- LEED certifiable product
- Vibration dampening
- Compatible with most rooftop materials
- Available in sizes 1" - 6"

GRB300 SERIES



300 SERIES ROOFTOP SUPPORT BLOCK

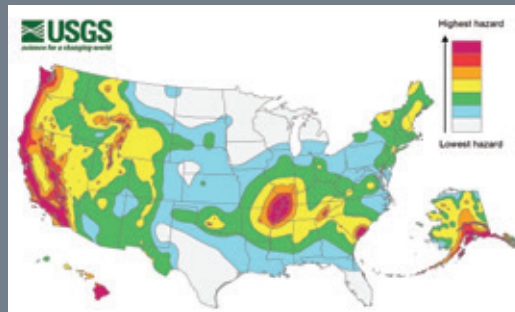
	PART #	SIZE	DESCRIPTION
	GRB3100	1"	ROLLER STAND ON ROOF BLOCK
	GRB3125	1 1/4"	ROLLER STAND ON ROOF BLOCK
	GRB3150	1 1/2"	ROLLER STAND ON ROOF BLOCK
	GRB3200	2"	ROLLER STAND ON ROOF BLOCK
	GRB3250	2 1/2"	ROLLER STAND ON ROOF BLOCK
	GRB3300	3"	ROLLER STAND ON ROOF BLOCK
	GRB3350	3 1/2"	ROLLER STAND ON ROOF BLOCK
	GRB3400	4"	ROLLER STAND ON ROOF BLOCK
	GRB3500	5"	ROLLER STAND ON ROOF BLOCK
	GRB3600	6"	ROLLER STAND ON ROOF BLOCK

SECTION 8

G-STRUT® SEISMIC COMPONENTS

WHY IS SEISMIC BRACING IMPORTANT?

Studies have shown that earthquake damage to **mechanical, electrical and plumbing (MEP)** systems account for more than half of monetary damage to buildings after such events. Seismic bracing of MEP systems is required in **Seismic Design Categories (SDC) E and F**. A structure's occupancy, location and the soil conditions determine its SDC, but in general, the areas highlighted in orange, yellow, red and pink on the map below constitute moderate to high seismic regions where MEP bracing



should be provided.

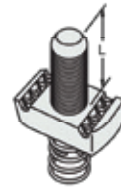
The upfront cost of the bracing systems is offset by the time, energy and labor required to replace/repair damaged systems after a seismic event. Furthermore,

components, such as gas lines, fire sprinkler pipes, and electrical conduits, may be required to be operational after a seismic event for critical structures, such as fire stations, hospitals, police stations and water treatment plants.

The American Society of Civil Engineers (ASCE) Standard 7-16 contains the most recent edition code requirements for MEP bracing systems. The minimum design loads, hazard levels and associated criteria and intended performance goals contained in this standard are derived from research and observed performance of buildings. **ASCE 7** governs seismic design criteria on both the national and worldwide sectors and is required for usage in all seismic design categories.

SPECIALTY CHANNEL NUTS

G-STRUT® SEISMIC COMPONENTS



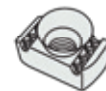
REGULAR SPRING CHANNEL NUTS WITH STUDS

PART #	NUT SIZE	THREAD SIZE	STUD LENGTH (L)	CARTON QTY.	LBS./100 PCS.
GSTN25100	1/4"	1/4-20	1"	50	7
GSTN25125			1 1/4"	50	8
GSTN25150			1 1/2"	50	8
GSTN37100	3/8"	3/8-16	1"	50	11
GSTN37125			1 1/4"	50	12
GSTN37150			1 1/2"	50	13
GSTN50100	1/2"	1/2-13	1"	50	17
GSTN50125			1 1/4"	50	18
GSTN50150			1 1/2"	50	19



MINI CHANNEL NUTS FOR MINI STRUT

THREAD SIZE	NO SPRING	SHORT SPRING	LONG SPRING	CARTON QTY.
8-32	-	GMN832S	GMN832	200
10-32	GMN1032N	GMN1032S	GMN1032	200
10-24	GMN1024N	GMN1024S	GMN1024	200
1/4-20	GMN1025N	GMN1025S	GMN1025	200

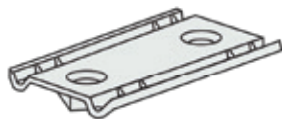


EZ NUTS FOR ALL CHANNELS

PART #	THREAD SIZE	THICKNESS	CARTON QTY.	LBS./100 PCS.
GCN800	1/4-20	3/8"	100	9
GCN801	3/8-16	3/8"	100	9
GCN802	1/2-13	3/8"	100	8

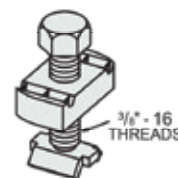
3/8" DOUBLE CONVEYOR ADJUSTING NUT

GDCN031
 CARTON QTY: 50
 LBS./100 PCS: 17



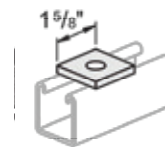
SEISMIC ROD STIFFENER

GRS375062
 CARTON QTY: 100
 LBS./100 PCS: 16



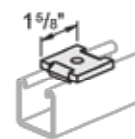
FLAT PLATE FITTINGS

G-STRUT® SEISMIC COMPONENTS



SQUARE WASHER FLAT PLATE FITTING

	PART #	HOLE SIZE	CARTON QTY.	LBS./100 PCS.
	G201025	1/4"	100	16
	G201031	5/16"	100	16
	G201037	3/8"	100	16
	G201050	1/2"	100	16
	G201062	5/8"	100	16
	G201075	3/4"	100	16



NO-TURN SQUARE WASHER FLAT PLATE FITTING

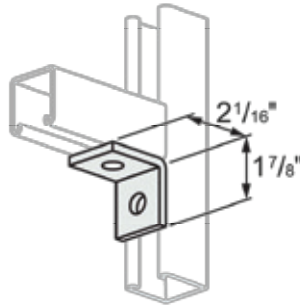
	PART #	HOLE SIZE	CARTON QTY.	LBS./100 PCS.
	G202025	1/4"	100	16
	G202031	5/16"	100	16
	G202037	3/8"	100	16
	G202050	1/2"	100	16
	G202062	5/8"	100	16
	G202075	3/4"	100	16

ANGLE FITTINGS

G-STRUT® SEISMIC COMPONENTS

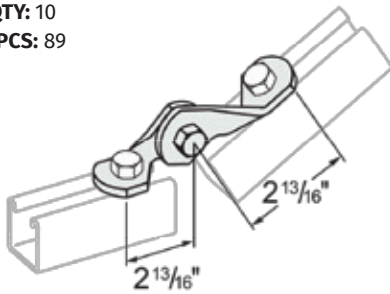
90° ANGLE FITTINGS TWO-HOLE CONNECTION ANGLE

G302
CARTON QTY: 50
LBS./100 PCS: 35



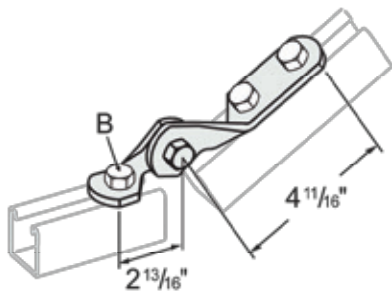
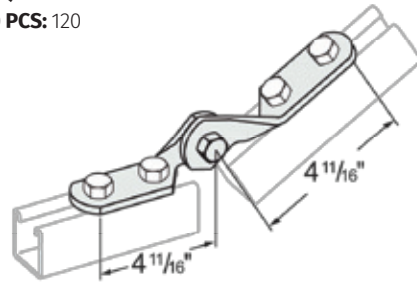
TWO-HOLE ADJUSTABLE HINGE

G316
CARTON QTY: 10
LBS./100 PCS: 89



FOUR-HOLE ADJUSTABLE HINGE

G3161
CARTON QTY: 10
LBS./100 PCS: 120



THREE-HOLE ADJUSTABLE HINGE

	PART #	BOLT (B)	CARTON QTY.	LBS./100 PCS.
	G33001	3/8"	10	106
	G33002	1/2"	10	104
	G33003	5/8"	10	102
	G33004	3/4"	10	100

SECTION 9

G-STRUT® ENGINEERING DATA

Mill certification physical/mechanical properties, specification and engineering data for **G-STRUT®** Standard carbon steel channel are as follows:

PRODUCT(S) PROFILE TYPES	MIN. YIELD STRENGTH	MIN. TENSILE STRENGTH	MIN. ELONGATION
ALL 1 5/8" INDUSTRY STANDARD STRUT PROFILES IN SIZES INCLUSIVE FROM 1 3/16" THROUGH 3 1/4"	42,700 33,500	45,000	20%

G-STRUT® Metal Framing Channel is interchangeable with industry-standard 1 5/8" strut profiles.

G-STRUT® is cold roll-formed, structural grade carbon steel.

G-STRUT® conforms to ASTM 1011 for hot rolled steel, ASTM 653 for continuous pre-galvanized steel, and ASTM 123 for HDG hot dip after-fabrication galvanized.

Standard finishes include pre-galvanized (*G-90 coating weight*), painted, galvanized, plain, and hot-dipped galvanized.

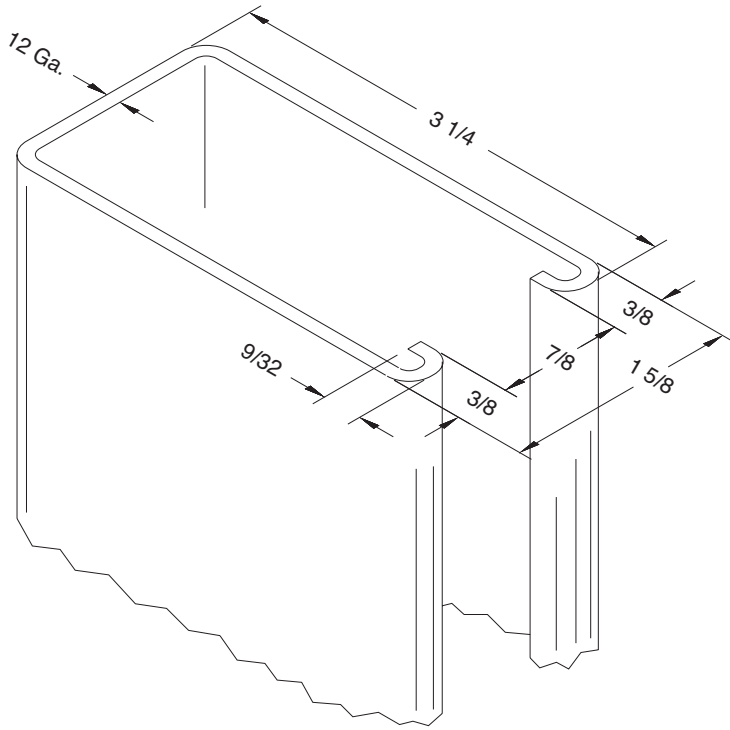
Painted (*Channel Green Standard*) available in polyester urethane powder coat finish or electro deposition cathodic epoxy e-coating.

Special Channel finishes or substrates include: aluminum, yellow zinc electrocoat, fiberglass, PVC coated, custom colors, stainless steel (*grade 304 or 316*).

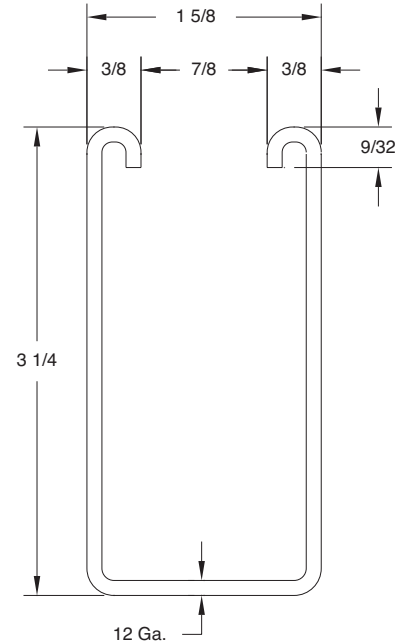
Engineering/Load factors (*see following pages by channel part number*).

G-STRUT® CHANNEL » G812/G812A

1 5/8" X 3 1/4" (1.625" X 3.25") – 12 GAUGE (0.102" THICK)



	G812OS (OVAL-SLOT) 9/16" X 1 1/8" – 2" ON CTR.
	G812LS (LONG-SLOT) 13/32" X 3" – 4" ON CTR.
	G812H (HOLES) 9/16" DIAM. – 17/8" ON CTR.
	G812A (BACK-TO-BACK) WELDED
	G812AOS (BACK-TO-BACK OVAL SLOT) WELDED
	G812KO (KNOCK-OUT) 7/8" DIAM. – 6" ON CTR.



THIS DRAWING IS THE PROPERTY OF GREGORY STRUT PROD. AND IS LOANED WITHOUT OTHER CONSIDERATION THAN THE AGREEMENT AND CONDITION THAT IT IS NOT TO BE REPRODUCED OR OTHERWISE DISPOSED OF DIRECTLY OR INDIRECTLY AND IS NOT TO BE USED IN WHOLE OR IN PART TO ASSIST IN MANUFACTURING OTHER PRODUCTS OF ANY KIND. THIS DRAWING SHALL BE RETURNED TO GREGORY STRUT PROD. UPON REQUEST. THE ACCEPTANCE OF THIS DRAWING WILL BE CONSIDERED AS AN ACCEPTANCE OF THE FOREGOING CONDITIONS AND AS AN ADMISSION OF THE EXCLUSIVE OWNERSHIP IN AND TO THE DRAWING OF GREGORY STRUT PRODUCTS.

ITEM	QNT'Y	DESCRIPTION	MATERIAL
SCALE		FULL	CHK'D BY
DWN BY		IDI 02-02-02	APP'D BY
			ROLLFORM TOLERANCES
			LENGTH ± 0.125"
			ALL OTHER DIMENSIONS ± 0.020"

G-STRUT CHANNEL, PART # G812

CAD FILENAME:
G812
LAST PLOT DATE:
02-02-02

GREGORY STRUT PRODUCTS
 Division of Gregory Industries
 4100 13th Street SW, Canton, OH 44710
 PH: 330-477-4800 FX: 330-477-0626

REF. No.
 DRWG No.
G812

G-STRUT® CHANNEL » G812/G812A

1 5/8" X 3 1/4" (1.625" X 3.25") – 12 GAUGE (0.102" THICK)

ELEMENTS OF SECTION

STRUT SECTION NUMBER	WEIGHT/ FOOT LBS.	AREA OF SECTION IN. ²	XX-AXIS			YY-AXIS		
			MOMENT OF INERTIA IN. ⁴	SECTION MODULUS IN. ³	RADIUS OF GYRATION IN.	MOMENT OF INERTIA IN. ⁴	SECTION MODULUS IN. ³	RADIUS OF GYRATION IN.
G812	2.957	0.869	1.061	0.605	1.105	0.422	0.519	0.697
G812A	5.914	1.738	6.006	1.848	1.859	0.844	1.039	0.697

G812 BEAM & COLUMN LOADS

STRUT SECTION NUMBER	BEAM SPAN OR COLUMN HEIGHT	MAXIMUM COLUMN LOAD	TOTAL UNIFORM LOAD AT 25,000 PSI	DEFLECTION AT 25,000 PSI	UNIFORM LOAD AT 1/240 SPAN DEFLECTION
	IN.	LBS.	LBS.	IN.	LBS.
G812	12	19540	10080	0	-
	18	19300	6720	0.01	-
	24	19030	5040	0.02	-
	30	18740	4030	0.04	-
	36	18420	3360	0.06	-
	42	18080	2880	0.09	-
	48	17730	2520	0.11	-
	54	17200	2240	0.14	-
	60	16390	2010	0.18	-
	66	15530	1830	0.22	-
	72	14640	1680	0.26	-
	84	12710	1440	0.36	1390
	96	10590	1260	0.47	1060
	108	8440	1120	0.59	840
	120	6840	1000	0.73	680
	132	5650	910	0.88	560
	144	4750	840	1.06	470
	156	4040	770	1.23	400
	168	3490	720	1.44	340
	180	-	670	1.65	300
192	-	630	1.88	260	
204	-	590	2.11	230	
216	-	560	2.38	210	
228	-	530	2.65	180	
240	-	500	2.92	170	

G-STRUT® CHANNEL » G812/G812A

1 5/8" X 3 1/4" (1.625" X 3.25") – 12 GAUGE (0.102" THICK)


G812A BEAM & COLUMN LOADS

STRUT SECTION NUMBER	BEAM SPAN OR COLUMN HEIGHT	MAXIMUM COLUMN LOAD	TOTAL UNIFORM LOAD AT 25,000 PSI	DEFLECTION AT 25,000 PSI	UNIFORM LOAD AT 1/240 SPAN DEFLECTION
	IN.	LBS.	LBS.	IN.	LBS.
G812A	12	39500	30800	0	-
	18	39270	20530	0	-
	24	39030	15400	0.01	-
	30	38770	12320	0.02	-
	36	38500	10260	0.03	-
	42	37360	8800	0.04	-
	48	35930	7700	0.06	-
	54	34400	6840	0.08	-
	60	32780	6160	0.09	-
	66	31070	5600	0.12	-
	72	29280	5130	0.14	-
	84	25420	4400	0.19	-
	96	21190	3850	0.25	-
	108	16890	3420	0.32	-
	120	13680	3080	0.39	-
	132	11300	2800	0.48	-
	144	9500	2560	0.57	-
	156	8090	2360	0.66	2290
	168	6980	2200	0.77	1970
	180	-	2050	0.89	1720
192	-	1920	1.01	1510	
204	-	1810	1.14	1330	
216	-	1710	1.28	1190	
228	-	1620	1.43	1070	
240	-	1540	1.59	960	

G-STRUT® CHANNEL » G812/G812A

1 5/8" X 3 1/4" (1.625" X 3.25") – 12 GAUGE (0.102" THICK)

FOR PERFORATED CHANNELS, REDUCE TOTAL BEAM LOAD VALUES AS FOLLOWS:

	G812/G812A	OS	20%
	G812/G812A	LS	33%
	G812/G812A	H	12%
	G812/G812A	KO	5%

E=29000; Fy=42700; K=0.8

Beam loads

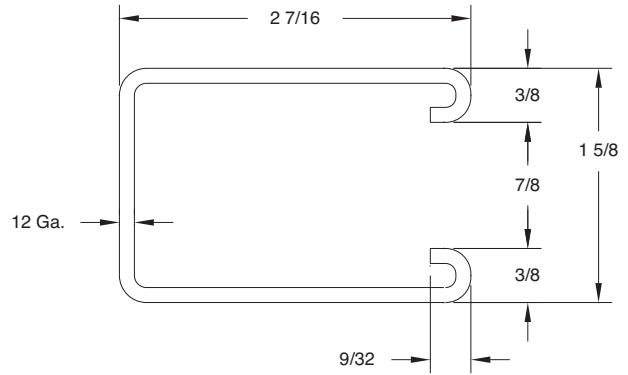
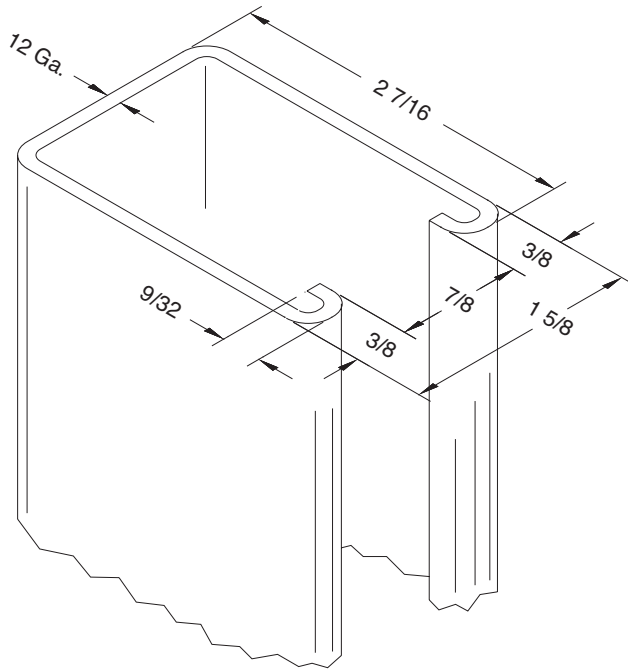
Loads listed are distributed uniformly. For loads concentrated at center of span, multiply uniform load by 0.5 and deflection by 0.8. Where deflection is not a factor, use stress of 25,000 PSI. When deflection is a factor, use deflection of 1/240 span.

Column loads

Column loads are for allowable axial loads for the unsupported heights listed (*including a K value of 0.80*). Column loads must be reduced for eccentric loading.

G-STRUT® CHANNEL » G712/G712A

1 5/8" X 2 7/16" (1.625" X 2.4375") – 12 GAUGE (0.102" THICK)



-  **G712OS (OVAL-SLOT)**
9/16" X 1 1/8" – 2" ON CTR.
-  **G712LS (LONG-SLOT)**
13/32" X 3" – 4" ON CTR.
-  **G712H (HOLES)**
9/16" DIAM. – 1 7/8" ON CTR.
-  **G712A (BACK-TO-BACK)**
WELDED
-  **G712AOS (BACK-TO-BACK OVAL SLOT)**
WELDED
-  **G712KO (KNOCK-OUT)**
7/8" DIAM. – 6" ON CTR.

ENGINEERING DATA

THIS DRAWING IS THE PROPERTY OF GREGORY STRUT PRODUCTS AND IS LOANED TO YOU FOR YOUR INFORMATION ONLY. IT IS NOT TO BE REPRODUCED, COPIED, OR OTHERWISE DISSEMINATED, DIRECTLY OR INDIRECTLY, AND IS NOT TO BE USED IN WHOLE OR IN PART TO ASSIST IN MAKING OR TO PURCHASE ANY PARTS OR EQUIPMENT. ANY REPRODUCTION OR USE OF THIS DRAWING WITHOUT THE WRITTEN PERMISSION OF GREGORY STRUT PRODUCTS IS PROHIBITED. GREGORY STRUT PRODUCTS ASSUMES NO LIABILITY FOR THE ACCURACY OF THE DIMENSIONS AND AS AN ADMISSION OF THE EXCLUSIVE OWNERSHIP IN AND TO THE DRAWING OF GREGORY STRUT PRODUCTS.	ITEM	QNT'Y	DESCRIPTION		MATERIAL	
	SCALE FULL			CHK'D BY		ROLLFORM TOLERANCES LENGTH ± 0.125" ALL OTHER DIMENSIONS ± 0.020"
	DWN BY IDI		02-02-02	APP'D BY		
	G-STRUT CHANNEL, PART # G712					
CAD FILENAME: G712 LAST PLOT DATE: 02-02-02			GREGORY STRUT PRODUCTS Division of Gregory Industries 4100 13th Street SW; Canton, OH 44710 PH: 330-477-4800 FX: 330-477-0626		REF. No. _____ DRWG No. <div style="text-align: center; font-size: 1.2em;">G712</div>	

G-STRUT® CHANNEL » G712/G712A

1 5/8" X 2 7/16" (1.625" X 2.4375") – 12 GAUGE (0.102" THICK)

ELEMENTS OF SECTION

STRUT SECTION NUMBER	WEIGHT/ FOOT LBS.	AREA OF SECTION IN. ²	XX-AXIS			YY-AXIS		
			MOMENT OF INERTIA IN. ⁴	SECTION MODULUS IN. ³	RADIUS OF GYRATION IN.	MOMENT OF INERTIA IN. ⁴	SECTION MODULUS IN. ³	RADIUS OF GYRATION IN.
G712	2.392	0.703	0.503	0.376	0.846	0.326	0.401	0.681
G712A	4.784	1.406	2.701	1.108	1.386	0.652	0.802	0.681

G712 BEAM & COLUMN LOADS

STRUT SECTION NUMBER	BEAM SPAN OR COLUMN HEIGHT	MAXIMUM COLUMN LOAD	TOTAL UNIFORM LOAD AT 25,000 PSI	DEFLECTION AT 25,000 PSI	UNIFORM LOAD AT 1/240 SPAN DEFLECTION
	IN.	LBS.	LBS.	IN.	LBS.
G712	12	15280	6260	0	-
	18	15010	4170	0.02	-
	24	14710	3130	0.03	-
	30	14370	2500	0.06	-
	36	14010	2080	0.08	-
	42	13620	1790	0.11	-
	48	13200	1560	0.15	-
	54	12760	1390	0.19	-
	60	12290	1250	0.24	-
	66	11800	1130	0.28	1070
	72	11290	1040	0.34	900
	84	10010	890	0.47	660
	96	8230	780	0.61	500
	108	6520	690	0.77	400
	120	5280	620	0.95	320
	132	4360	560	1.14	260
	144	3660	520	1.38	220
	156	3120	480	1.62	190
	168	2690	440	1.86	160
	180	-	410	2.13	140
192	-	2,390	2.46	120	
204	-	390	2.46	120	
216	-	340	3.05	100	
228	-	320	3.38	80	
240	-	310	3.82	80	

G-STRUT® CHANNEL » G712/G712A

1 5/8" X 2 7/16" (1.625" X 2.4375") – 12 GAUGE (0.102" THICK)


G712A BEAM & COLUMN LOADS

STRUT SECTION NUMBER	BEAM SPAN OR COLUMN HEIGHT	MAXIMUM COLUMN LOAD	TOTAL UNIFORM LOAD AT 25,000 PSI	DEFLECTION AT 25,000 PSI	UNIFORM LOAD AT 1/240 SPAN DEFLECTION
	IN.	LBS.	LBS.	IN.	LBS.
G712A	12	31020	18460	0	-
	18	30770	12310	0.01	-
	24	30500	9230	0.02	-
	30	210	7380	0.03	-
	36	2990	6150	0.04	-
	42	29570	5270	0.06	-
	48	28830	4610	0.08	-
	54	27440	4100	0.1	-
	60	26200	3690	0.13	-
	66	24770	3350	0.16	-
	72	23260	3070	0.19	-
	84	20020	2630	0.25	-
	96	16460	2300	0.33	-
	108	13040	2050	0.42	-
	120	10560	1840	0.52	1740
	132	8730	1670	0.63	1430
	144	7330	1530	0.75	1200
	156	6250	1420	0.89	1020
	168	5390	1310	1.03	880
	180	-	1230	1.19	770
192	-	1150	1.35	670	
204	-	1080	1.52	600	
216	-	1020	1.7	530	
228	-	970	1.91	480	
240	-	920	2.11	430	

G-STRUT® CHANNEL » G712/G712A

1 5/8" X 2 7/16" (1.625" X 2.4375") – 12 GAUGE (0.102" THICK)

FOR PERFORATED CHANNELS, REDUCE TOTAL BEAM LOAD VALUES AS FOLLOWS:

	G712/G712A	OS	20%
	G712/G712A	LS	33%
	G712/G712A	H	12%
	G712/G712A	KO	5%

E=29000; Fy=42700; K=0.8

Beam loads

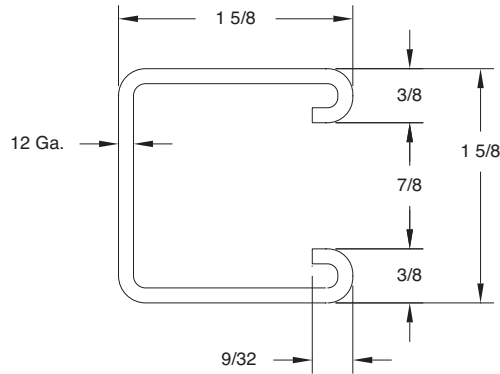
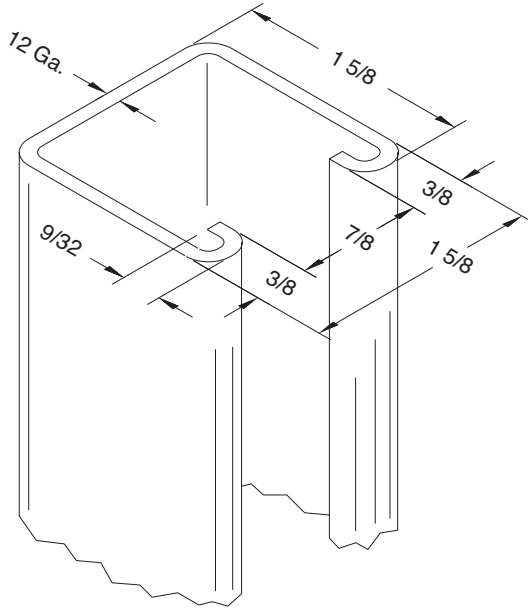
Loads listed are distributed uniformly. For loads concentrated at center of span, multiply uniform load by 0.5 and deflection by 0.8. Where deflection is not a factor, use stress of 25,000 PSI. When deflection is a factor, use deflection of 1/240 span.

Column loads

Column loads are for allowable axial loads for the unsupported heights listed (*including a K value of 0.80*). Column loads must be reduced for eccentric loading.

G-STRUT® CHANNEL » G582/G582A

1 5/8" X 1 5/8" (1.625" X 1.625") – 12 GAUGE (0.102" THICK)



-  **G582OS (OVAL-SLOT)**
9/16" X 1 1/8" – 2" ON CTR.
-  **G582LS (LONG-SLOT)**
13/32" X 3" – 4" ON CTR.
-  **G582H (HOLES)**
9/16" DIAM. – 17/8" ON CTR.
-  **G582A (BACK-TO-BACK)**
WELDED
-  **G582AOS (BACK-TO-BACK OVAL SLOT)**
WELDED
-  **G582KO (KNOCK-OUT)**
7/8" DIAM. – 6" ON CTR.

ENGINEERING DATA

THIS DRAWING IS THE PROPERTY OF GREGORY STRUT PRODUCTS AND IS LOANED WITHOUT OTHER CONSIDERATION. IT IS NOT TO BE REPRODUCED, COPIED, OR OTHERWISE DISPOSED OF DIRECTLY OR INDIRECTLY, AND IS NOT TO BE USED IN WHOLE OR IN PART TO ASSIST IN THE DESIGN OR FABRICATION OF ANY PARTS OR ASSEMBLIES. THE USER OF THIS DRAWING SHALL BE RESPONSIBLE FOR OBTAINING ALL NECESSARY PERMITS AND APPROVALS. REQUEST THE ACCEPTANCE OF THIS DRAWING WILL BE CONSIDERED AS ACCEPTANCE OF THE FOREGOING CONDITIONS AND AS AN ADMISSION OF THE EXCLUSIVE OWNERSHIP IN, AND TO THE DRAWING OF GREGORY STRUT PRODUCTS.	ITEM	QNT'Y	DESCRIPTION		MATERIAL
				ROLLFORM TOLERANCES	
	SCALE	FULL	CHK'D BY		LENGTH ± 0.125"
	DWN BY	IDI	02-02-02	APP'D BY	
G-STRUT CHANNEL, PART # G582					
CAD FILENAME: G582 LAST PLOT DATE: 02-02-02			GREGORY STRUT PRODUCTS Division of Gregory Industries 4100 13th Street SW; Canton, OH 44710 PH: 330-477-4800 FX: 330-477-0626		REF. No. DRWG No. G582

G-STRUT® CHANNEL » G582/G582A

1 5/8" X 1 5/8" (1.625" X 1.625") – 12 GAUGE (0.102" THICK)

ELEMENTS OF SECTION

STRUT SECTION NUMBER	WEIGHT/ FOOT LBS.	AREA OF SECTION IN. ²	XX-AXIS			YY-AXIS		
			MOMENT OF INERTIA IN. ⁴	SECTION MODULUS IN. ³	RADIUS OF GYRATION IN.	MOMENT OF INERTIA IN. ⁴	SECTION MODULUS IN. ³	RADIUS OF GYRATION IN.
G582	1.827	0.537	0.178	0.194	0.576	0.230	0.283	0.654
G582A	3.655	1.074	0.891	0.548	0.911	0.460	0.566	0.654

G582 BEAM & COLUMN LOADS

STRUT SECTION NUMBER	BEAM SPAN OR COLUMN HEIGHT	MAXIMUM COLUMN LOAD	TOTAL UNIFORM LOAD AT 25,000 PSI	DEFLECTION AT 25,000 PSI	UNIFORM LOAD AT 1/240 SPAN DEFLECTION
	IN.	LBS.	LBS.	IN.	LBS.
G582	12	10960	3230	0.01	-
	18	10630	2150	0.03	-
	24	10250	1610	0.05	-
	30	9830	1290	0.08	-
	36	9370	1070	0.12	-
	42	8870	920	0.17	-
	48	8330	800	0.22	710
	54	7750	710	0.28	560
	60	7140	640	0.34	450
	66	6490	580	0.42	370
	72	5790	530	0.49	310
	84	4360	460	0.68	230
	96	3340	400	0.89	170
	108	2640	350	1.11	140
	120	2140	320	1.39	110
	132	1760	290	1.68	90
	144	-	260	1.95	70
	156	-	240	2.29	60
	168	-	230	2.75	50
	180	-	210	3.08	50
192	-	200	3.57	30	
204	-	190	4.06	30	
216	-	170	4.32	30	
228	-	170	5.08	30	
240	-	160	5.75	20	

G-STRUT® CHANNEL » G582/G582A

1 5/8" X 1 5/8" (1.625" X 1.625") – 12 GAUGE (0.102" THICK)


G582A BEAM & COLUMN LOADS

STRUT SECTION NUMBER	BEAM SPAN OR COLUMN HEIGHT	MAXIMUM COLUMN LOAD	TOTAL UNIFORM LOAD AT 25,000 PSI	DEFLECTION AT 25,000 PSI	UNIFORM LOAD AT 1/240 SPAN DEFLECTION
	IN.	LBS.	LBS.	IN.	LBS.
G582A	12	22450	9130	0	-
	18	22150	6080	0.01	-
	24	21820	4560	0.03	-
	30	21460	3650	0.04	-
	36	21080	3040	0.07	-
	42	20660	2600	0.09	-
	48	20220	2280	0.12	-
	54	19760	2020	0.16	-
	60	19270	1820	0.19	-
	66	18400	1660	0.24	-
	72	17180	1520	0.28	-
	84	14530	1300	0.38	1170
	96	11630	1140	0.50	890
	108	9180	1010	0.64	700
	120	7440	910	0.79	570
	132	6150	830	0.96	470
	144	5160	760	1.14	390
	156	4400	700	1.33	330
	168	-	650	1.55	290
	180	-	600	1.76	250
192	-	570	2.03	220	
204	-	530	2.26	190	
216	-	500	2.53	170	
228	-	480	2.86	150	
240	-	450	3.13	140	

G-STRUT® CHANNEL » G582/G582A

1 5/8" X 1 5/8" (1.625" X 1.625") – 12 GAUGE (0.102" THICK)

FOR PERFORATED CHANNELS, REDUCE TOTAL BEAM LOAD VALUES AS FOLLOWS:

	G582/G582A	OS	21%
	G582/G582A	LS	34%
	G582/G582A	H	13%
	G582/G582A	KO	5%

E=29000; Fy=42700; K=0.8

Beam loads

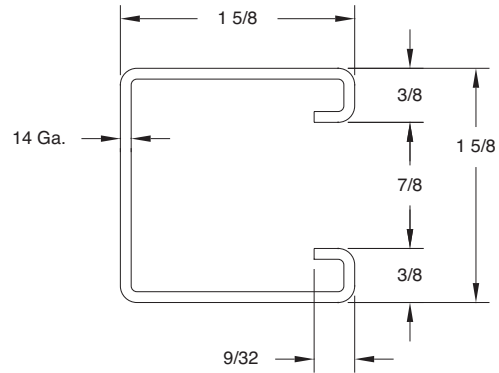
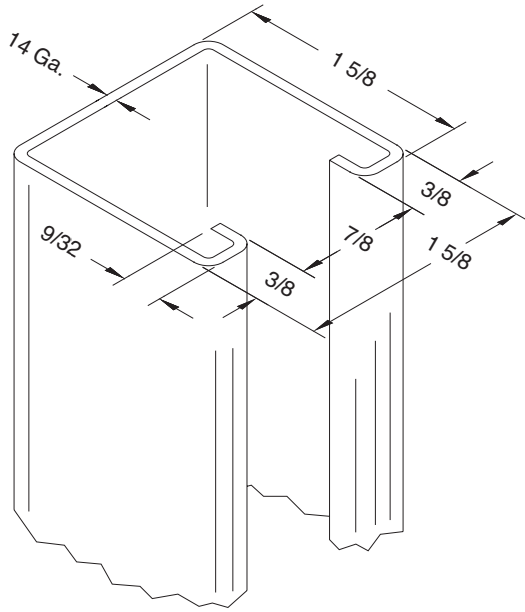
Loads listed are distributed uniformly. For loads concentrated at center of span, multiply uniform load by 0.5 and deflection by 0.8. Where deflection is not a factor, use stress of 25,000 PSI. When deflection is a factor, use deflection of 1/240 span.

Column loads

Column loads are for allowable axial loads for the unsupported heights listed (*including a K value of 0.80*). Column loads must be reduced for eccentric loading.

G-STRUT® CHANNEL » G584/G584A

1 5/8" X 1 5/8" (1.625" X 1.625") – 14 GAUGE (0.077" THICK)



-  **G584OS (OVAL-SLOT)**
9/16" X 1 1/8" – 2" ON CTR.
-  **G584LS (LONG-SLOT)**
13/32" X 3" – 4" ON CTR.
-  **G584H (HOLES)**
9/16" DIAM. – 17/8" ON CTR.
-  **G584A (BACK-TO-BACK) WELDED**
-  **G584AOS (BACK-TO-BACK OVAL SLOT) WELDED**
-  **G584KO (KNOCK-OUT)**
7/8" DIAM. – 6" ON CTR.

ENGINEERING DATA

THIS DRAWING IS THE PROPERTY OF GREGORY STRUT PRODUCTS AND IS LOANED WITHOUT OTHER CONSIDERATION THAN THE AGREEMENT AND CONDITION THAT IT IS NOT TO BE REPRODUCED, COPIED, OR OTHERWISE DISPOSED OF DIRECTLY OR INDIRECTLY AND IS NOT TO BE USED IN WHOLE OR IN PART TO ASSIST IN MAKING OR IMPROVING ANY OTHER PRODUCT. ALL RIGHTS ARE RESERVED TO GREGORY STRUT PRODUCTS. REQUEST THE ACCEPTANCE OF THIS DRAWING WILL BE CONSIDERED AS AN ACCEPTANCE OF THE FOREGOING CONDITIONS AND AS AN ADMISSION OF THE EXCLUSIVE OWNERSHIP IN AND TO THE DRAWING OF GREGORY STRUT PRODUCTS.	ITEM	QNT'Y	DESCRIPTION		MATERIAL	
	ROLLFORM TOLERANCES					
	SCALE	FULL		CHK'D BY		LENGTH ± 0.125
	DWN BY	IDI	02-02-02	APP'D BY		ALL OTHER DIMENSIONS ± 0.020"
	G-STRUT CHANNEL, PART # G584					
CAD FILENAME: G584 LAST PLOT DATE: 02-02-02			GREGORY STRUT PRODUCTS Division of Gregory Industries 4100 13th Street SW, Canton, OH 44710 PH: 330-477-4800 FX: 330-477-0626		REF. No. _____ DRWG No. G584	

G-STRUT® CHANNEL » G584/G584A

1 5/8" X 1 5/8" (1.625" X 1.625") – 14 GAUGE (0.077" THICK)

ELEMENTS OF SECTION

STRUT SECTION NUMBER	WEIGHT/ FOOT LBS.	AREA OF SECTION IN. ²	XX-AXIS			YY-AXIS		
			MOMENT OF INERTIA IN. ⁴	SECTION MODULUS IN. ³	RADIUS OF GYRATION IN.	MOMENT OF INERTIA IN. ⁴	SECTION MODULUS IN. ³	RADIUS OF GYRATION IN.
G584	1.429	0.42	0.146	0.16	0.59	0.184	0.226	0.662
G584A	2.858	0.84	0.721	0.444	0.926	0.368	0.453	0.662

G584 BEAM & COLUMN LOADS

STRUT SECTION NUMBER	BEAM SPAN OR COLUMN HEIGHT	MAXIMUM COLUMN LOAD	TOTAL UNIFORM LOAD AT 25,000 PSI	DEFLECTION AT 25,000 PSI	UNIFORM LOAD AT 1/240 SPAN DEFLECTION
	IN.	LBS.	LBS.	IN.	LBS.
G584	12	8630	2660	0.01	-
	18	8370	1770	0.03	-
	24	8090	1330	0.05	-
	30	7760	1060	0.08	-
	36	7410	880	0.12	-
	42	7030	760	0.17	-
	48	6620	660	0.22	580
	54	6190	590	0.28	460
	60	5720	530	0.35	370
	66	5230	480	0.42	310
	72	4710	440	0.5	260
	84	3590	380	0.69	190
	96	2750	330	0.89	140
	108	2170	290	1.12	110
	120	1760	260	1.38	90
	132	1450	240	1.69	70
	144	-	220	2.02	60
	156	-	200	2.33	50
	168	-	190	2.77	40
	180	-	170	3.04	40
192	-	160	3.48	30	
204	-	150	3.91	30	
216	-	140	4.33	20	
228	-	140	5.1	20	
240	-	130	5.52	20	

G-STRUT® CHANNEL » G584/G584A

1 5/8" X 1 5/8" (1.625" X 1.625") – 14 GAUGE (0.077" THICK)


G584A BEAM & COLUMN LOADS

STRUT SECTION NUMBER	BEAM SPAN OR COLUMN HEIGHT	MAXIMUM COLUMN LOAD	TOTAL UNIFORM LOAD AT 25,000 PSI	DEFLECTION AT 25,000 PSI	UNIFORM LOAD AT 1/240 SPAN DEFLECTION
	IN.	LBS.	LBS.	IN.	LBS.
G584A	12	17650	7400	0	-
	18	17420	4930	0.01	-
	24	17160	3700	0.03	-
	30	16890	2960	0.04	-
	36	16590	2460	0.07	-
	42	16270	2110	0.09	-
	48	15930	1850	0.12	-
	54	15570	1640	0.16	-
	60	15200	1480	0.19	-
	66	14520	1340	0.23	-
	72	13580	1230	0.28	-
	84	11550	1050	0.38	940
	96	9320	920	0.5	720
	108	7360	820	0.64	570
	120	5960	740	0.79	460
	132	4920	670	0.95	380
	144	4140	310	1.13	320
	156	3520	560	1.32	270
	168	-	520	1.53	230
	180	-	490	1.77	200
192	-	460	2.02	180	
204	-	430	2.27	160	
216	-	410	2.57	140	
228	-	380	2.8	120	
240	-	370	3.18	110	

G-STRUT® CHANNEL » G584/G584A

1 5/8" X 1 5/8" (1.625" X 1.625") – 14 GAUGE (0.077" THICK)

FOR PERFORATED CHANNELS, REDUCE TOTAL BEAM LOAD VALUES AS FOLLOWS:

	G584/G584A	OS	21%
	G584/G584A	LS	34%
	G584/G584A	H	13%
	G584/G584A	KO	5%

E=29000; Fy=42700; K=0.8

Beam loads

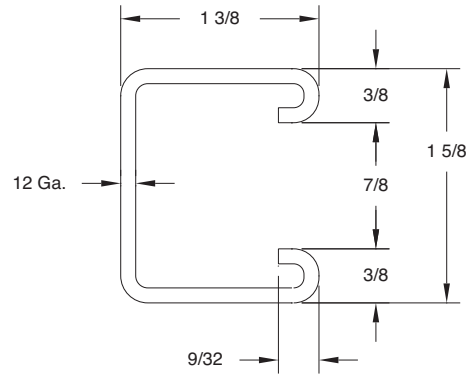
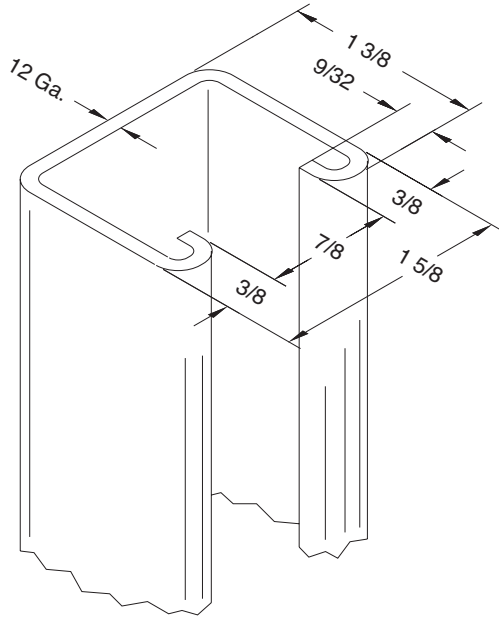
Loads listed are distributed uniformly. For loads concentrated at center of span, multiply uniform load by 0.5 and deflection by 0.8. Where deflection is not a factor, use stress of 25,000 PSI. When deflection is a factor, use deflection of 1/240 span.



Column loads

Column loads are for allowable axial loads for the unsupported heights listed (*including a K value of 0.80*). Column loads must be reduced for eccentric loading.

G-STRUT® CHANNEL » G382/G382A

1 5/8" X 1 3/8" (1.625" X 1.375") – 12 GAUGE (0.102" THICK)



-  **G382OS (OVAL-SLOT)**
9/16" X 1 1/8" – 2" ON CTR.
-  **G382LS (LONG-SLOT)**
13/32" X 3" – 4" ON CTR.
-  **G382H (HOLES)**
9/16" DIAM. – 1 7/8" ON CTR.
-  **G382A (BACK-TO-BACK)**
WELDED
-  **G382AOS (BACK-TO-BACK OVAL SLOT)**
WELDED
-  **G382KO (KNOCK-OUT)**
7/8" DIAM. – 6" ON CTR.

ENGINEERING DATA

THIS DRAWING IS THE PROPERTY OF GREGORY STRUT PROD. AND IS LOANED TO THE USER FOR THE EXCLUSIVE USE OF THE USER. IT IS NOT TO BE REPRODUCED OR TRANSMITTED IN ANY FORM OR BY ANY MEANS, ELECTRONIC OR MECHANICAL, INCLUDING PHOTOCOPYING, RECORDING, OR BY ANY INFORMATION STORAGE AND RETRIEVAL SYSTEM. WITHOUT THE WRITTEN PERMISSION OF GREGORY STRUT PRODUCTS, ANY REPRODUCTION OR TRANSMISSION OF THIS DRAWING IS STRICTLY PROHIBITED. THE USER SHALL BE RESPONSIBLE FOR OBTAINING ALL NECESSARY PERMITS AND APPROVALS FOR THE USE OF THIS DRAWING FOR THE MAKING OF DRAWINGS, PRINTS, APPARATUS OR PARTS THEREOF. THIS DRAWING SHALL BE RETURNED TO GREGORY STRUT PROD. UPON COMPLETION OF THE PROJECT FOR WHICH IT WAS ISSUED. THE USER SHALL BE RESPONSIBLE FOR THE PROTECTION AND SECURITY OF THIS DRAWING AND FOR THE EXCLUSIVE OWNERSHIP IN AND TO THE DRAWING OF GREGORY STRUT PRODUCTS.

ITEM	QNT'Y	DESCRIPTION	MATERIAL
		ROLLFORM TOLERANCES	
SCALE		FULL	LENGTH ± 0.125"
DWN BY		IDI 02-02-02	ALL OTHER DIMENSIONS ± 0.020"
		CHK'D BY	
		APP'D BY	
G-STRUT CHANNEL, PART # G382			
CAD FILENAME: G382		GREGORY STRUT PRODUCTS Division of Gregory Industries 4100 13th Street SW; Canton, OH 44710 PH: 330-477-4800 FX: 330-477-0626	REF. No.
LAST PLOT DATE: 02-02-02			DRWG No. G382

G-STRUT® CHANNEL » G382/G382A

1 5/8" X 1 3/8" (1.625" X 1.375") – 12 GAUGE (0.102" THICK)

ELEMENTS OF SECTION

STRUT SECTION NUMBER	WEIGHT/ FOOT LBS.	AREA OF SECTION IN. ²	XX-AXIS			YY-AXIS		
			MOMENT OF INERTIA IN. ⁴	SECTION MODULUS IN. ³	RADIUS OF GYRATION IN.	MOMENT OF INERTIA IN. ⁴	SECTION MODULUS IN. ³	RADIUS OF GYRATION IN.
G382	1.654	0.486	0.116	0.147	0.489	0.2	0.246	0.642
G382A	3.308	0.972	0.567	0.412	0.764	0.4	0.492	0.642

G382 BEAM & COLUMN LOADS

STRUT SECTION NUMBER	BEAM SPAN OR COLUMN HEIGHT	MAXIMUM COLUMN LOAD	TOTAL UNIFORM LOAD AT 25,000 PSI	DEFLECTION AT 25,000 PSI	UNIFORM LOAD AT 1/240 SPAN DEFLECTION
	IN.	LBS.	LBS.	IN.	LBS.
G382	12	9620	2450	0.01	-
	18	9250	1630	0.03	-
	24	8820	1220	0.06	-
	30	8340	980	0.1	-
	36	7820	810	0.14	-
	42	7250	700	0.2	610
	48	6630	610	0.26	460
	54	5970	540	0.32	360
	60	5260	490	0.4	290
	66	4490	440	0.48	240
	72	3780	400	0.57	200
	84	2770	350	0.8	150
	96	2120	300	1.02	110
	108	1680	270	1.31	90
	120	-	240	1.6	70
	132	-	220	1.95	60
	144	-	200	2.31	50
	156	-	180	2.64	40
	168	-	170	3.12	30
	180	-	160	3.61	30
192	-	150	4.1	20	
204	-	140	4.6	20	
216	-	130	5.07	20	
228	-	120	5.5	20	
240	-	120	6.42	10	

G-STRUT® CHANNEL » G382/G382A

1 5/8" X 1 3/8" (1.625" X 1.375") – 12 GAUGE (0.102" THICK)


G382A BEAM & COLUMN LOADS

STRUT SECTION NUMBER	BEAM SPAN OR COLUMN HEIGHT	MAXIMUM COLUMN LOAD	TOTAL UNIFORM LOAD AT 25,000 PSI	DEFLECTION AT 25,000 PSI	UNIFORM LOAD AT 1/240 SPAN DEFLECTION
	IN.	LBS.	LBS.	IN.	LBS.
G382A	12	19800	6860	0	-
	18	19480	4570	0.02	-
	24	19110	3430	0.03	-
	30	18710	2740	0.05	-
	36	18280	2280	0.08	-
	42	17810	1960	0.11	-
	48	17310	1710	0.14	-
	54	16790	1520	0.18	-
	60	16230	1370	0.23	-
	66	15650	1240	0.28	1200
	72	15040	1140	0.33	1010
	84	12820	980	0.45	740
	96	10140	850	0.59	570
	108	8010	760	0.75	450
	120	6490	680	0.93	360
	132	5360	620	1.12	300
	144	4500	570	1.34	250
	156	3840	520	1.56	210
	168	-	490	1.83	180
	180	-	450	2.07	160
192	-	420	2.35	140	
204	-	400	2.68	120	
216	-	380	3.03	110	
228	-	360	3.37	100	
240	-	340	3.72	90	

G-STRUT® CHANNEL » G382/G382A

1 5/8" X 1 3/8" (1.625" X 1.375") – 12 GAUGE (0.102" THICK)

FOR PERFORATED CHANNELS, REDUCE TOTAL BEAM LOAD VALUES AS FOLLOWS:

	G382/G382A	OS	21%
	G382/G382A	LS	34%
	G382/G382A	H	13%
	G382/G382A	KO	6%

E=29000; Fy=42700; K=0.8

Beam loads

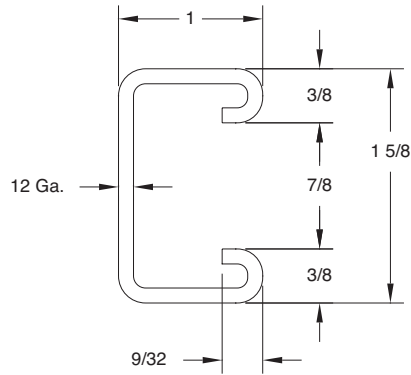
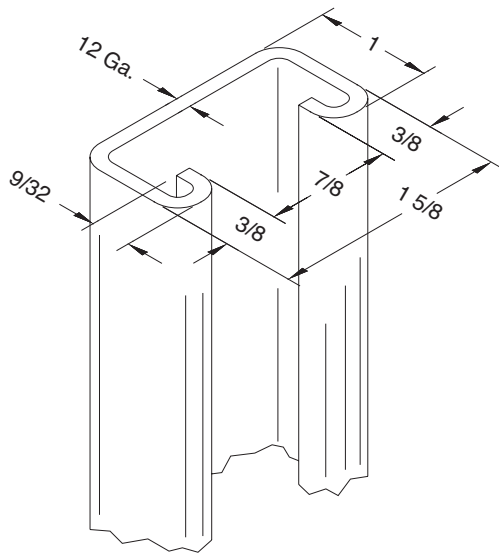
Loads listed are distributed uniformly. For loads concentrated at center of span, multiply uniform load by 0.5 and deflection by 0.8. Where deflection is not a factor, use stress of 25,000 PSI. When deflection is a factor, use deflection of 1/240 span.

Column loads

Column loads are for allowable axial loads for the unsupported heights listed (*including a K value of 0.80*). Column loads must be reduced for eccentric loading.

G-STRUT® CHANNEL » G102/G102A

1 5/8" X 1" (1.625" X 1.00") – 12 GAUGE (0.102" THICK)



-  **G102OS (OVAL-SLOT)**
9/16" X 1 1/8" – 2" ON CTR.
-  **G102LS (LONG-SLOT)**
13/32" X 3" – 4" ON CTR.
-  **G102H (HOLES)**
9/16" DIAM. – 1 7/8" ON CTR.
-  **G102A (BACK-TO-BACK) WELDED**
-  **G102AOS (BACK-TO-BACK OVAL SLOT) WELDED**
-  **G102KO (KNOCK-OUT)**
7/8" DIAM. – 6" ON CTR.

ENGINEERING DATA

THIS DRAWING IS THE PROPERTY OF GREGORY FENCE PRODUCTS AND IS LOANED TO YOU FOR YOUR USE ONLY. IT IS NOT TO BE REPRODUCED OR TRANSMITTED IN ANY FORM OR BY ANY MEANS, ELECTRONIC OR MECHANICAL, INCLUDING PHOTOCOPYING, RECORDING, OR BY ANY INFORMATION STORAGE AND RETRIEVAL SYSTEM. WITHOUT THE WRITTEN PERMISSION OF GREGORY FENCE PRODUCTS, THIS DRAWING IS NOT TO BE USED IN WHOLE OR IN PART TO ASSIST IN MAKING OR TO IMPROVE ANY INFORMATION FOR THE MAKING OF DRAWINGS, PRINTS, APPARATUS OR PARTS THEREOF. THIS DRAWING SHALL BE RETURNED TO GREGORY FENCE PRODUCTS UPON COMPLETION OF THE PROJECT AND SHALL BE KEPT AS AN INVENTORY OF THESE PRODUCTS OWNERSHIP IN AND TO THE DRAWING OF GREGORY FENCE PRODUCTS.	ITEM	QNT'Y	DESCRIPTION		MATERIAL	
	SCALE			FULL	CHK'D BY	ROLLFORM TOLERANCES LENGTH ± 0.125" ALL OTHER DIMENSIONS ± 0.020"
	DWN BY	IDI	02-02-02	APP'D BY		
	G-STRUT CHANNEL, PART #G102					
CAD FILENAME: G102			GREGORY STRUT PRODUCTS Division of Gregory Industries 4100 13th Street SW; Canton, OH 44710 PH: 330-477-4800 FX: 330-477-0626		REF. No. DRWG No. G102	
LAST PLOT DATE: 02-02-02						

G-STRUT® CHANNEL » G102/G102A

1 5/8" X 1" (1.625" X 1.00") – 12 GAUGE (0.102" THICK)

ELEMENTS OF SECTION

STRUT SECTION NUMBER	WEIGHT/ FOOT LBS.	AREA OF SECTION IN. ²	XX-AXIS			YY-AXIS		
			MOMENT OF INERTIA IN. ⁴	SECTION MODULUS IN. ³	RADIUS OF GYRATION IN.	MOMENT OF INERTIA IN. ⁴	SECTION MODULUS IN. ³	RADIUS OF GYRATION IN.
G102	1.395	0.41	0.051	0.087	0.353	0.156	0.192	0.617
G102A	2.79	0.82	0.241	0.241	0.542	0.312	0.384	0.617

G102 BEAM & COLUMN LOADS

STRUT SECTION NUMBER	BEAM SPAN OR COLUMN HEIGHT	MAXIMUM COLUMN LOAD	TOTAL UNIFORM LOAD AT 25,000 PSI	DEFLECTION AT 25,000 PSI	UNIFORM LOAD AT 1/240 SPAN DEFLECTION
	IN.	LBS.	LBS.	IN.	LBS.
G102	12	7530	1450	0.02	-
	18	7060	960	0.04	-
	24	6520	720	0.08	-
	30	5910	580	0.13	520
	36	5220	480	0.19	360
	42	4460	410	0.26	260
	48	3630	360	0.35	200
	54	2870	320	0.44	160
	60	2320	290	0.55	130
	66	1920	260	0.65	100
	72	1610	240	0.78	90
	84	-	200	1.04	60
	96	-	180	1.4	50
	108	-	160	1.77	40
	120	-	140	2.12	30
	132	-	130	2.63	20
	144	-	120	3.15	20
	156	-	110	3.67	10
	168	-	100	4.17	10
	180	-	90	4.62	10
192	-	90	5.6	10	
204	-	80	5.97	10	
216	-	80	7.09	10	
228	-	70	7.3	0	
240	-	70	8.51	0	

G-STRUT® CHANNEL » G102/G102A

1 5/8" X 1" (1.625" X 1.00") – 12 GAUGE (0.102" THICK)

G102A BEAM & COLUMN LOADS

STRUT SECTION NUMBER	BEAM SPAN OR COLUMN HEIGHT	MAXIMUM COLUMN LOAD	TOTAL UNIFORM LOAD AT 25,000 PSI	DEFLECTION AT 25,000 PSI	UNIFORM LOAD AT 1/240 SPAN DEFLECTION
	IN.	LBS.	LBS.	IN.	LBS.
G102A	12	15760	4010	0.01	-
	18	15360	2670	0.02	-
	24	14900	2000	0.05	-
	30	14400	1600	0.08	-
	36	13840	1330	0.11	-
	42	13240	1140	0.15	-
	48	12600	1000	0.2	-
	54	11910	890	0.26	760
	60	11190	800	0.32	620
	66	10420	730	0.39	510
	72	9600	660	0.45	430
	84	7850	570	0.62	310
	96	6060	500	0.82	240
	108	4790	440	1.03	190
	120	3880	400	1.28	150
	132	3210	360	1.54	120
	144	-	330	1.83	100
	156	-	300	2.12	90
	168	-	280	2.47	70
	180	-	260	2.82	60
192	-	250	3.29	60	
204	-	230	3.63	50	
216	-	220	4.13	40	
228	-	210	4.63	40	
240	-	200	5.15	30	

G-STRUT® CHANNEL » G102/G102A

1 5/8" X 1" (1.625" X 1.00") – 12 GAUGE (0.102" THICK)

FOR PERFORATED CHANNELS, REDUCE TOTAL BEAM LOAD VALUES AS FOLLOWS:

☰	G102/G102A	OS	22%
	G102/G102A	LS	35%
	G102/G102A	H	13%
	G102 /G102A	KO	6%

E=29000; Fy=42700; K=0.8

Beam loads

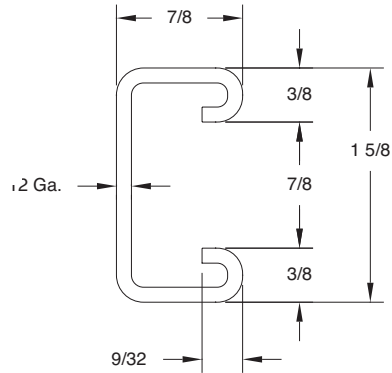
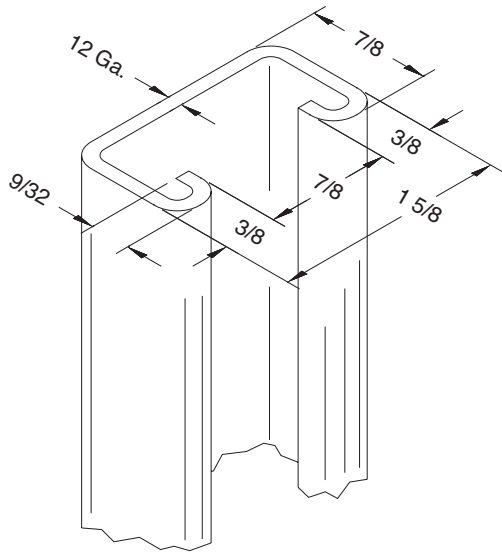
Loads listed are distributed uniformly. For loads concentrated at center of span, multiply uniform load by 0.5 and deflection by 0.8. Where deflection is not a factor, use stress of 25,000 PSI. When deflection is a factor, use deflection of 1/240 span.

Column loads

Column loads are for allowable axial loads for the unsupported heights listed (*including a K value of 0.80*). Column loads must be reduced for eccentric loading.

G-STRUT® CHANNEL » G782/G782A

1 5/8" X 7/8" (1.625" X 0.875") – 12 GAUGE (0.102" THICK)



-  **G782OS (OVAL-SLOT)**
9/16" X 1 1/8" – 2" ON CTR.
-  **G782LS (LONG-SLOT)**
13/32" X 3" – 4" ON CTR.
-  **G782H (HOLES)**
9/16" DIAM. – 1 7/8" ON CTR.
-  **G782A (BACK-TO-BACK) WELDED**
-  **G782AOS (BACK-TO-BACK OVAL SLOT) WELDED**
-  **G782KO (KNOCK-OUT)**
7/8" DIAM. – 6" ON CTR.

ENGINEERING DATA

THIS DRAWING IS THE PROPERTY OF GREGORY STRUT PRODUCTS AND IS LOANED TO YOU WITHOUT CONSIDERATION. IT IS NOT TO BE REPRODUCED, COPIED, OR OTHERWISE DISPOSED OF DIRECTLY OR INDIRECTLY AND IS NOT TO BE USED IN WHOLE OR IN PART TO ASSIST IN MAKING OR TO FURNISH ANY INFORMATION FOR THE MAKING OF DRAWINGS, SPECS, APPARATUS OR PARTS. ANY REUSE OR REPRODUCTION OF THIS DRAWING WITHOUT THE WRITTEN PERMISSION OF GREGORY STRUT PRODUCTS IS PROHIBITED. THE ACCEPTANCE OF THIS DRAWING WILL BE CONSIDERED AS ACCEPTANCE OF THE FOREGOING CONDITIONS AND AS AN ADMISSION OF THE EXCLUSIVE OWNERSHIP IN, AND TO THE DRAWING OF GREGORY STRUT PRODUCTS.	ITEM	QNT'Y	DESCRIPTION		MATERIAL
	ROLLFORM TOLERANCES				
	SCALE FULL		CHK'D BY		LENGTH ± 0.125"
	DWN BY IDI 02-02-02		APP'D BY		ALL OTHER DIMENSIONS ± 0.020"
	G-STRUT CHANNEL, PART :G782				
CAD FILENAME: G782 LAST PLOT DATE: 02-02-02			GREGORY STRUT PRODUCTS Division of Gregory Industries 4100 13th Street SW; Canton, OH 44710 PH: 330-477-4800 FX: 330-477-0626		REF. No. DRWG No. G782

G-STRUT® CHANNEL » G782/G782A

1 5/8" X 7/8" (1.625" X 0.875") – 12 GAUGE (0.102" THICK)

ELEMENTS OF SECTION

STRUT SECTION NUMBER	WEIGHT/ FOOT LBS.	AREA OF SECTION IN. ²	XX-AXIS			YY-AXIS		
			MOMENT OF INERTIA IN. ⁴	SECTION MODULUS IN. ³	RADIUS OF GYRATION IN.	MOMENT OF INERTIA IN. ⁴	SECTION MODULUS IN. ³	RADIUS OF GYRATION IN.
G782	1.307	0.384	0.037	0.069	0.306	0.141	0.174	0.606
G782A	2.613	0.768	0.168	0.192	0.468	0.282	0.347	0.606

G782 BEAM & COLUMN LOADS

STRUT SECTION NUMBER	BEAM SPAN OR COLUMN HEIGHT	MAXIMUM COLUMN LOAD	TOTAL UNIFORM LOAD AT 25,000 PSI	DEFLECTION AT 25,000 PSI	UNIFORM LOAD AT 1/240 SPAN DEFLECTION
	IN.	LBS.	LBS.	IN.	LBS.
G782	12	6820	1150	0.02	-
	18	6290	760	0.05	-
	24	5680	570	0.09	-
	30	4970	460	0.15	370
	36	4180	380	0.22	250
	42	3300	320	0.29	180
	48	2520	280	0.38	140
	54	1990	250	0.49	110
	60	1610	230	0.61	90
	66	1330	200	0.71	70
	72	1120	190	0.88	60
	84	-	160	1.18	40
	96	-	140	1.54	30
	108	-	120	1.88	20
	120	-	110	2.37	20
	132	-	100	2.86	10
	144	-	90	3.35	10
	156	-	80	3.78	10
	168	-	80	4.73	10
	180	-	70	5.09	10
192	-	70	6.17	0	
204	-	60	6.35	0	
216	-	60	7.54	0	
228	-	60	8.86	0	
240	-	50	8.63	0	

G-STRUT® CHANNEL » G782/G782A

1 5/8" X 7/8" (1.625" X 0.875") – 12 GAUGE (0.102" THICK)


G782A BEAM & COLUMN LOADS

STRUT SECTION NUMBER	BEAM SPAN OR COLUMN HEIGHT	MAXIMUM COLUMN LOAD	TOTAL UNIFORM LOAD AT 25,000 PSI	DEFLECTION AT 25,000 PSI	UNIFORM LOAD AT 1/240 SPAN DEFLECTION
	IN.	LBS.	LBS.	IN.	LBS.
G782A	12	14430	3200	0.01	-
	18	13980	2130	0.03	-
	24	13460	1600	0.05	-
	30	12890	1280	0.09	-
	36	12260	1060	0.13	-
	42	11580	910	0.18	880
	48	10850	800	0.23	670
	54	10060	710	0.29	530
	60	9230	640	0.36	430
	66	8340	580	0.44	350
	72	7400	530	0.52	300
	84	5510	450	0.71	220
	96	4220	400	0.94	160
	108	3330	350	1.17	130
	120	-	320	1.47	100
	132	-	290	1.78	80
	144	-	260	2.07	70
	156	-	240	2.43	60
	168	-	220	2.78	50
	180	-	210	3.27	40
192	-	200	3.78	40	
204	-	180	4.08	30	
216	-	170	4.57	30	
228	-	160	5.06	20	
240	-	160	5.91	20	

G-STRUT® CHANNEL » G782/G782A

1 5/8" X 7/8" (1.625" X 0.875") – 12 GAUGE (0.102" THICK)

FOR PERFORATED CHANNELS, REDUCE TOTAL BEAM LOAD VALUES AS FOLLOWS:

	G782/G782A	OS	22%
	G782/G782A	LS	46%
	G782/G782A	H	20%
	G782/G782A	KO	11%

E=29000; Fy=42700; K=0.8

Beam loads

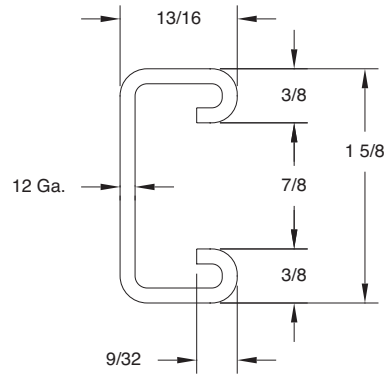
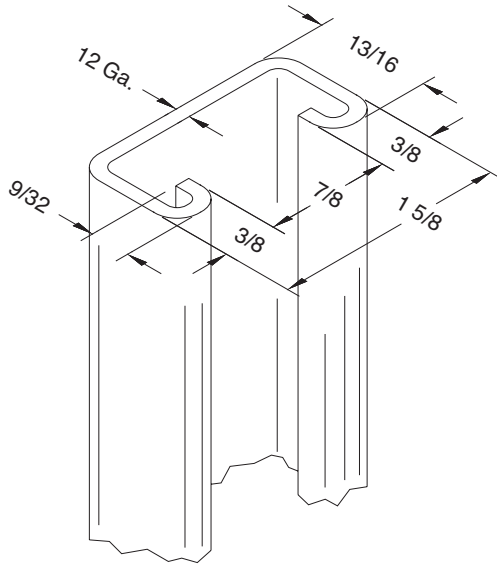
Loads listed are distributed uniformly. For loads concentrated at center of span, multiply uniform load by 0.5 and deflection by 0.8. Where deflection is not a factor, use stress of 25,000 PSI. When deflection is a factor, use deflection of 1/240 span.

Column loads

Column loads are for allowable axial loads for the unsupported heights listed (*including a K value of 0.80*). Column loads must be reduced for eccentric loading.

G-STRUT® CHANNEL » G132/G132A

1 5/8" X 13/16" (1.625" X 0.8125") – 12 GAUGE (0.102" THICK)



-  **G132OS (OVAL-SLOT)**
9/16" X 1 1/8" – 2" ON CTR.
-  **G132LS (LONG-SLOT)**
13/32" X 3" – 4" ON CTR.
-  **G132H (HOLES)**
9/16" DIAM. – 1 7/8" ON CTR.
-  **G132A (BACK-TO-BACK) WELDED**
-  **G132AOS (BACK-TO-BACK OVAL SLOT) WELDED**
-  **G132KO (KNOCK-OUT)**
7/8" DIAM. – 6" ON CTR.

ENGINEERING DATA

THIS DRAWING IS THE PROPERTY OF GREGORY STRUT PRODUCTS AND IS LOANED TO YOU FOR YOUR INFORMATION ONLY. IT IS NOT TO BE REPRODUCED, COPIED, OR OTHERWISE DISCLOSED OR DIRECTLY OR INDIRECTLY, AND IS NOT TO BE USED IN WHOLE OR IN PART TO ASSIST IN MAKING OR IMPROVING ANY INFORMATION FOR THE MAKING OF DRAWINGS, PRINTS, APPARATUS OR PARTS THEREOF. ANY REUSE OF THIS DRAWING OR INFORMATION THEREON WITHOUT THE WRITTEN PERMISSION OF GREGORY STRUT PRODUCTS IS STRICTLY PROHIBITED. GREGORY STRUT PRODUCTS WILL BE CONSIDERED AS ACCEPTING LIABILITY FOR THE FOREGOING CONDITIONS AND AS AN ADMISSION OF THE EXCLUSIVE OWNERSHIP IN AND TO THE DRAWING OF GREGORY STRUT PRODUCTS.	ITEM	QNT'Y	DESCRIPTION		MATERIAL
	ROLLFORM TOLERANCES				
	SCALE FULL		CHK'D BY		LENGTH ± 0.125"
	DWN BY IDI 02-02-02		APP'D BY		ALL OTHER DIMENSIONS ± 0.020"
G-STRUT CHANNEL, PART :G132					
CAD FILENAME: G132 LAST PLOT DATE: 02-02-02			GREGORY STRUT PRODUCTS Division of Gregory Industries 4100 13th Street SW; Canton, OH 44710 PH: 330-477-4800 FX: 330-477-0626		REF. No. _____ DRWG No. _____ G132

G-STRUT® CHANNEL » G132/G132A

1 5/8" X 13/16" (1.625" X 0.8125") – 12 GAUGE (0.102" THICK)

ELEMENTS OF SECTION

STRUT SECTION NUMBER	WEIGHT/ FOOT LBS.	AREA OF SECTION IN. ²	XX-AXIS			YY-AXIS		
			MOMENT OF INERTIA IN. ⁴	SECTION MODULUS IN. ³	RADIUS OF GYRATION IN.	MOMENT OF INERTIA IN. ⁴	SECTION MODULUS IN. ³	RADIUS OF GYRATION IN.
G132	1.262	0.371	0.029	0.06	0.28	0.134	0.165	0.601
G132A	2.525	0.742	0.137	0.169	0.43	0.268	0.33	0.601

G132 BEAM & COLUMN LOADS

STRUT SECTION NUMBER	BEAM SPAN OR COLUMN HEIGHT	MAXIMUM COLUMN LOAD	TOTAL UNIFORM LOAD AT 25,000 PSI	DEFLECTION AT 25,000 PSI	UNIFORM LOAD AT 1/240 SPAN DEFLECTION
	IN.	LBS.	LBS.	IN.	LBS.
G132	12	6430	1000	0.02	-
	18	5860	660	0.05	-
	24	5180	500	0.1	-
	30	4410	400	0.16	290
	36	3530	330	0.23	200
	42	2630	280	0.32	150
	48	2020	250	0.42	110
	54	1590	220	0.53	90
	60	1290	200	0.66	70
	66	1060	180	0.8	60
	72	-	160	0.92	50
	84	-	140	1.28	30
	96	-	120	1.64	20
	108	-	110	2.14	20
	120	-	100	2.67	10
	132	-	90	3.2	10
	144	-	80	3.69	10
	156	-	70	4.11	10
	168	-	70	5.13	0
	180	-	60	5.41	0
192	-	60	6.57	0	
204	-	50	6.57	0	
216	-	50	7.8	0	
228	-	50	9.17	0	
240	-	50	10.7	0	

G-STRUT® CHANNEL » G132/G132A

1 5/8" X 13/16" (1.625" X 0.8125") – 12 GAUGE (0.102" THICK)


G132A BEAM & COLUMN LOADS

STRUT SECTION NUMBER	BEAM SPAN OR COLUMN HEIGHT	MAXIMUM COLUMN LOAD	TOTAL UNIFORM LOAD AT 25,000 PSI	DEFLECTION AT 25,000 PSI	UNIFORM LOAD AT 1/240 SPAN DEFLECTION
	IN.	LBS.	LBS.	IN.	LBS.
G132A	12	13720	2810	0.01	-
	18	13240	1870	0.03	-
	24	12690	1400	0.06	-
	30	12080	1120	0.09	-
	36	11400	930	0.14	-
	42	10670	800	0.19	720
	48	9880	700	0.25	550
	54	9030	620	0.31	430
	60	8120	560	0.39	350
	66	7150	510	0.48	290
	72	6110	460	0.56	240
	84	4490	400	0.77	180
	96	3440	350	1.01	130
	108	-	310	1.27	100
	120	-	280	1.58	80
	132	-	250	1.88	70
	144	-	230	2.25	60
	156	-	210	2.61	50
	168	-	200	3.1	40
	180	-	180	3.44	30
192	-	170	3.94	30	
204	-	160	4.45	30	
216	-	150	4.95	20	
228	-	140	5.43	20	
240	-	140	6.34	20	

G-STRUT® CHANNEL » G132/G132A

1 5/8" X 13/16" (1.625" X 0.8125") – 12 GAUGE (0.102" THICK)

FOR PERFORATED CHANNELS, REDUCE TOTAL BEAM LOAD VALUES AS FOLLOWS:

	G132/G132A	OS	22%
	G132/G132A	LS	35%
	G132/G132A	H	14%
	G132/G132A	KO	6%

E=29000; Fy=42700; K=0.8

Beam loads

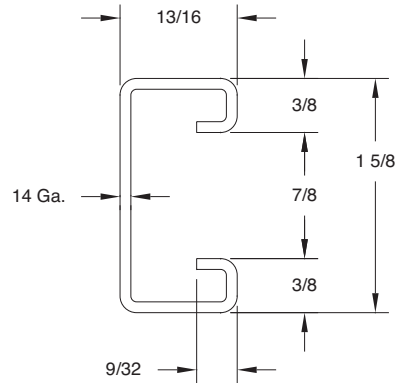
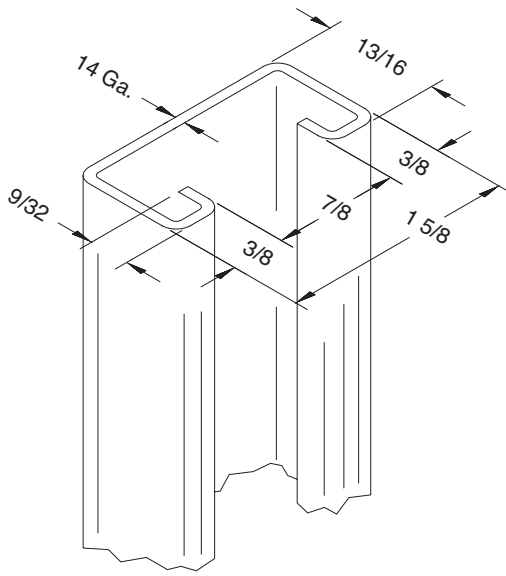
Loads listed are distributed uniformly. For loads concentrated at center of span, multiply uniform load by 0.5 and deflection by 0.8. Where deflection is not a factor, use stress of 25,000 PSI. When deflection is a factor, use deflection of 1/240 span.





Column loads

Column loads are for allowable axial loads for the unsupported heights listed (*including a K value of 0.80*). Column loads must be reduced for eccentric loading.

G-STRUT® CHANNEL » G134/G134A

1 5/8" X 13/16" (1.625" X 0.8125") – 14 GAUGE (0.077" THICK)



-  **G134OS (OVAL-SLOT)**
9/16" X 1 1/8" – 2" ON CTR.
-  **G134LS (LONG-SLOT)**
13/32" X 3" – 4" ON CTR.
-  **G134H (HOLES)**
9/16" DIAM. – 1 7/8" ON CTR.
-  **G134A (BACK-TO-BACK)**
WELDED
-  **G134AOS (BACK-TO-BACK OVAL SLOT)**
WELDED
-  **G134KO (KNOCK-OUT)**
7/8" DIAM. – 6" ON CTR.

ENGINEERING DATA

THIS DRAWING IS THE PROPERTY OF GREGORY STRUT PROD. AND IS LOANED TO YOU FOR YOUR INFORMATION ONLY. IT IS NOT TO BE REPRODUCED, COPIED, OR OTHERWISE MISUSED, DIRECTLY OR INDIRECTLY, AND IS NOT TO BE USED IN WHOLE OR IN PART TO ASSIST IN MAKING OR TO PURSUE ANY INFORMATION FOR THE MAKING OF DRAWINGS, PRINTS, APPARATUS OR PARTS THEREOF. THIS DRAWING SHALL BE RETURNED TO GREGORY STRUT PROD. UPON COMPLETION OF THE PROJECT AND SHALL BE KEPT IN CONFIDENCE. IN WITNESS WHEREOF, THE FOREGOING CONDITIONS AND AN ADMISSIVE OF THE EXCLUSIVE OWNERSHIP IN AND TO THE DRAWING OF GREGORY STRUT PRODUCTS.	ITEM	QNT'Y	DESCRIPTION		MATERIAL	
	SCALE			FULL		ROLLFORM TOLERANCES LENGTH ± 0.125" ALL OTHER DIMENSIONS ± 0.020"
	DWN BY		IDI	02-02-02	CHK'D BY	
					APP'D BY	
G-STRUT CHANNEL, PART G134						
CAD FILENAME: G134		GREGORY STRUT PRODUCTS Division of Gregory Industries 4100 13th Street SW; Canton, OH 44710 PH: 330-477-4800 FX: 330-477-0626			REF. No. DRWG No. G134	
LAST PLOT DATE: 02-02-02						

G-STRUT® CHANNEL » G134/G134A

1 5/8" X 13/16" (1.625" X 0.8125") – 14 GAUGE (0.077" THICK)

ELEMENTS OF SECTION

STRUT SECTION NUMBER	WEIGHT/ FOOT LBS.	AREA OF SECTION IN. ²	XX-AXIS			YY-AXIS		
			MOMENT OF INERTIA IN. ⁴	SECTION MODULUS IN. ³	RADIUS OF GYRATION IN.	MOMENT OF INERTIA IN. ⁴	SECTION MODULUS IN. ³	RADIUS OF GYRATION IN.
G134	1.000	0.294	0.025	0.052	0.292	0.109	0.134	0.609
G134A	2.001	0.588	0.115	0.142	0.442	0.218	0.268	0.609

G134 BEAM & COLUMN LOADS

STRUT SECTION NUMBER	BEAM SPAN OR COLUMN HEIGHT	MAXIMUM COLUMN LOAD	TOTAL UNIFORM LOAD AT 25,000 PSI	DEFLECTION AT 25,000 PSI	UNIFORM LOAD AT 1/240 SPAN DEFLECTION
	IN.	LBS.	LBS.	IN.	LBS.
G134	12	5220	860	0.02	-
	18	4800	570	0.05	-
	24	4300	430	0.1	-
	30	3730	340	0.16	250
	36	3090	280	0.23	170
	42	2380	240	0.31	130
	48	1820	210	0.41	100
	54	1440	190	0.53	70
	60	1170	170	0.65	60
	66	960	150	0.77	50
	72	-	140	0.93	40
	84	-	120	1.27	30
	96	-	100	1.58	20
	108	-	90	2.03	10
	120	-	80	2.48	10
	132	-	70	2.89	10
	144	-	70	3.75	10
	156	-	60	4.09	0
	168	-	60	5.1	0
	180	-	50	5.23	0
192	-	50	6.35	0	
204	-	50	7.62	0	
216	-	40	7.23	0	
228	-	40	8.51	0	
240	-	40	9.93	0	

G-STRUT® CHANNEL » G134/G134A

1 5/8" X 13/16" (1.625" X 0.8125") – 14 GAUGE (0.077" THICK)


G134A BEAM & COLUMN LOADS

STRUT SECTION NUMBER	BEAM SPAN OR COLUMN HEIGHT	MAXIMUM COLUMN LOAD	TOTAL UNIFORM LOAD AT 25,000 PSI	DEFLECTION AT 25,000 PSI	UNIFORM LOAD AT 1/240 SPAN DEFLECTION
	IN.	LBS.	LBS.	IN.	LBS.
G134A	12	11060	2360	0.01	-
	18	10690	1570	0.03	-
	24	10270	1180	0.06	-
	30	9790	940	0.09	-
	36	9270	780	0.14	-
	42	8700	670	0.19	600
	48	8090	590	0.25	460
	54	7440	520	0.31	360
	60	6740	470	0.39	290
	66	6000	430	0.48	240
	72	5170	390	0.56	200
	84	3790	330	0.76	150
	96	2900	290	1	110
	108	2290	260	1.27	90
	120	-	230	1.55	70
	132	-	210	1.88	60
	144	-	190	2.21	50
	156	-	180	2.66	40
	168	-	160	2.96	30
	180	-	150	3.41	30
192	-	140	3.86	20	
204	-	130	4.3	20	
216	-	130	5.11	20	
228	-	120	5.55	20	
240	-	110	5.93	10	

G-STRUT® CHANNEL » G134/G134A

1 5/8" X 13/16" (1.625" X 0.8125") – 14 GAUGE (0.077" THICK)

FOR PERFORATED CHANNELS, REDUCE TOTAL BEAM LOAD VALUES AS FOLLOWS:

	G134/G134A	OS	22%
	G134/G134A	LS	35%
	G134/G134A	H	14%
	G134/G134A	KO	6%

E=29000; Fy=42700; K=0.8

Beam loads

Loads listed are distributed uniformly. For loads concentrated at center of span, multiply uniform load by 0.5 and deflection by 0.8. Where deflection is not a factor, use stress of 25,000 PSI. When deflection is a factor, use deflection of 1/240 span.

Column loads

Column loads are for allowable axial loads for the unsupported heights listed (*including a K value of 0.80*). Column loads must be reduced for eccentric loading.

NOTES:

SECTION 10

G-STRUT® CROSS REFERENCE CHARTS

A listing of comparative product part numbers is supplied for your convenience. The codes listed are for comparison only, and products may not be completely identical. Any part not identified in the **G-STRUT®** catalog is available by referring to other manufacturers' product numbers. Parts may also be ordered for manufacturers who are not included in this catalog. Consult factory or your sales representative.

STRUT INDUSTRY PRODUCT CODES » G812/G812A

3 1/4" X 1 5/8"

PRE-GALVANIZED » G812 - 3 1/4" X 1 5/8"

G-STRUT®	ANVIL	B-LINE/EATON	ELITE	ERICO/NVENT	FLEX-STRUT	FLORIDA/ZSI	HAYDON	PHD
G8121	AS 100-PG 10	B11 GALV 120	N/A	E12PG10	FS-100-PG-10	-	H-112 PG X 10	1501 PG (10)
G8122	AS 100-PG 20	B11 GALV 240	N/A	E12PG20	FS-100-PG-20	-	H-112 PG X 20	1502 PG (20)
G812H1	AS 100H-PG 10	B11 H178 GALV 120	N/A	-	FS-100-H-PG-10	-	H-112-RS-PG X 10	1521 PG (10)
G812H2	AS 100H-PG 20	B11 H178 GALV 240	N/A	-	FS-100-H-PG-20	-	H-112-RS-PG X 20	1522 PG (20)
G812OS1	AS 100EH-PG 10	B11 SH GALV 120	ES E12 UST029	E12HS1000PG	FS-100-SS-PG-10	FS12314-10-PRE-GALV	H-112-OS-PG X 10	1511 PG (10)
G812OS2	AS 100EH-PG 20	B11 SH GALV 240	ES E12 UST030	E12HS2000PG	FS-100-SS-PG-20	FS12314-20-PRE-GALV	H-112-OS-PG X 20	1512 PG (20)
G812LS1	AS 100S-PG 10	B11 S GALV 120	N/A	-	FS-100-SL-PG-10	-	H-112-OS3-PG X 10	1531 PG (10)
G812LS2	AS 100S-PG 20	B11 S GALV 240	N/A	-	FS-100-SL-PG-20	-	H-112-OS3-PG X 20	1532 PG (20)
G812A1	AS 100BTB-PG 10	B11A GALV 120	N/A	-	FS-101-PG-10	-	H-132-A-PG X 10	1501A PG (10)
G812A2	AS 100BTB-PG 20	B11A GALV 240	N/A	-	FS-101-PG-20	-	H-132-A-PG X 20	1502A PG (20)
G812AOS1	-	-	N/A	-	-	FS12314BB-10-PRE-GALV	-	1511A PG (10)
G812AOS2	-	-	N/A	-	-	FS12314BB-20-PRE-GALV	-	1512A PG (20)
G812KO1	AS 100KO-PG 10	B11 KO6 GALV 120	N/A	-	FS-100-KO-PG-10	-	H-112-KO-PG X 10	1541 PG (10)
G812KO2	AS 100KO-PG 20	B11 KO6 GALV 240	N/A	-	FS-100-KO-PG-20	-	H-112-KO-PG X 20	1542 PG (20)

GREEN » G812 - 3 1/4" X 1 5/8"

G-STRUT®	ANVIL	B-LINE/EATON	ELITE	ERICO/NVENT	FLEX-STRUT	FLORIDA/ZSI	HAYDON	PHD
G8121POP	AS 100-GR 10	B11 GRN 120	ES E12 UST031	E121000GN	FS-100-GR-10	N/A	H-112 GR X 10	N/A
G8122POP	AS 100-GR 20	B11 GRN 240	ES E12 UST032	E122000GN	FS-100-GR-20	N/A	H-112 GR X 20	N/A
G812H1POP	AS 100H-GR 10	B11 H178 GRN 120	N/A	-	FS-100-H-GR-10	N/A	H-112-RS-GR X 10	N/A
G812H2POP	AS 100H-GR 20	B11 H178 GRN 240	N/A	-	FS-100-H-GR-20	N/A	H-112-RS-GR X 20	N/A
G812OS1POP	AS 100EH-GR 10	B11 SH GRN 120	N/A	E12HS1000GN	FS-100-SS-GR-10	N/A	H-112-OS-GR X 10	N/A
G812OS2POP	AS 100EH-GR 20	B11 SH GRN 240	N/A	E12HS2000GN	FS-100-SS-GR-20	N/A	H-112-OS-GR X 20	N/A
G812LS1POP	AS 100S-GR 10	B11 S GRN 120	N/A	-	FS-100-SL-GR-10	N/A	H-112-OS3-GR X 10	N/A
G812LS2POP	AS 100S-GR 20	B11 S GRN 240	N/A	-	FS-100-SL-GR-20	N/A	H-112-OS3-GR X 20	N/A
G812A1POP	AS 100BTB-GR 10	B11A GRN 120	N/A	-	FS-101-GR-10	N/A	H-112-A-GR X 10	N/A
G812A2POP	AS 100BTB-GR 20	B11A GRN 240	N/A	-	FS-101-GR-20	N/A	H-112-A-GR X 20	N/A
G812AOS1POP	-	-	N/A	-	-	N/A	-	N/A
G812AOS2POP	-	-	N/A	-	-	N/A	-	N/A
G812KO1POP	AS 100KO-GR 10	B11 KO6 GRN 120	N/A	-	FS-100-KO-GR-10	N/A	H-112-KO-GR X 10	N/A
G812KO2POP	AS 100KO-GR 20	B11 KO6 GRN 240	N/A	-	FS-100-KO-GR-20	N/A	H-112-KO-GR X 20	N/A

YELLOW ZINC (GOLD) » G812 - 3 1/4" X 1 5/8"

G-STRUT®	ANVIL	B-LINE/EATON	ELITE	ERICO/NVENT	FLEX-STRUT	FLORIDA/ZSI	HAYDON	PHD
G8121YZ	-	-	N/A	N/A	N/A	N/A	-	N/A
G8122YZ	-	-	N/A	N/A	N/A	N/A	-	N/A
G812H1YZ	-	-	N/A	N/A	N/A	N/A	-	N/A
G812H2YZ	-	-	N/A	N/A	N/A	N/A	-	N/A
G812OS1YZ	-	-	N/A	N/A	N/A	N/A	-	N/A
G812OS2YZ	-	-	N/A	N/A	N/A	N/A	-	N/A
G812LS1YZ	-	-	N/A	N/A	N/A	N/A	-	N/A
G812LS2YZ	-	-	N/A	N/A	N/A	N/A	-	N/A
G812A1YZ	-	-	N/A	N/A	N/A	N/A	-	N/A
G812A2YZ	-	-	N/A	N/A	N/A	N/A	-	N/A
G812AOS1YZ	-	-	N/A	N/A	N/A	N/A	-	N/A
G812AOS2YZ	-	-	N/A	N/A	N/A	N/A	-	N/A
G812KO1YZ	-	-	N/A	N/A	N/A	N/A	-	N/A
G812KO2YZ	-	-	N/A	N/A	N/A	N/A	-	N/A

PLAIN » G812 - 3 1/4" X 1 5/8"

G-STRUT®	ANVIL	B-LINE/EATON	ELITE	ERICO/NVENT	FLEX-STRUT	FLORIDA/ZSI	HAYDON	PHD
G8121PO	AS 100-PL 10	B11 PL 120	N/A	N/A	FS-100-PL-10	-	H-112 PL X 10	1501 PL (10)
G8122PO	AS 100-PL 20	B11 PL 240	N/A	N/A	FS-100-PL-20	-	H-112 PL X 20	1502 PL (20)
G812H1PO	AS 100H-PL 10	B11 H178 PL 120	N/A	N/A	FS-100-H-PL-10	-	H-112-RS-PL X 10	1521 PL (10)
G812H2PO	AS 100H-PL 20	B11 H178 PL 240	N/A	N/A	FS-100-H-PL-20	-	H-112-RS-PL X 20	1522 PL (20)
G812OS1PO	AS 100EH-PL 10	B11 SH PL 120	N/A	N/A	FS-100-SS-PL-10	FS12314-10-PL	H-112-OS-PL X 10	1511 PL (10)
G812OS2PO	AS 100EH-PL 20	B11 SH PL 240	N/A	N/A	FS-100-SS-PL-20	FS12314-20-PL	H-112-OS-PL X 20	1512 PL (20)
G812LS1PO	AS 100S-PL 10	B11 S PL 120	N/A	N/A	FS-100-SL-PL-10	-	H-112-OS3-PL X 10	1531 PL (10)
G812LS2PO	AS 100S-PL 20	B11 S PL 240	N/A	N/A	FS-100-SL-PL-20	-	H-112-OS3-PL X 20	1532 PL (20)
G812A1PO	AS 100BTB-PL 10	B11A PL 120	N/A	N/A	FS-101-PL-10	-	H-132-A-PL X 10	1501A PL (10)
G812A2PO	AS 100BTB-PL 20	B11A PL 240	N/A	N/A	FS-101-PL-20	-	H-132-A-PL X 20	1502A PL (20)
G812AOS1PO	-	-	N/A	N/A	-	FS12314BB-10-PL	-	1511A PL (10)
G812AOS2PO	-	-	N/A	N/A	-	FS12314BB-20-PL	-	1512A PL (20)
G812KO1PO	AS 100KO-PL 10	B11 KO6 PL 120	N/A	N/A	FS-100-KO-PL-10	-	H-112-KO-PL X 10	1541 PL (10)
G812KO2PO	AS 100KO-PL 20	B11 KO6 PL 240	N/A	N/A	FS-100-KO-PL-20	-	H-112-KO-PL X 20	1542 PL (20)

HOT-DIPPED GALVANIZED » G812 - 3 1/4" X 1 5/8"

G-STRUT®	ANVIL	B-LINE/EATON	ELITE	ERICO/NVENT	FLEX-STRUT	FLORIDA/ZSI	HAYDON	PHD
G8121HDG	-	B11 HDG 120	N/A	N/A	FS-100-HG-10	-	H-112-HDG X 10	1501 HD (10)
G8122HDG	-	B11 HDG 240	N/A	N/A	FS-100-HG-20	-	H-112-HDG X 20	1502 HD (20)
G812H1HDG	-	B11 H178 HDG 120	N/A	N/A	FS-100-H-HG-10	-	H-112-RS-HDG X 10	1521 HD (10)
G812H2HDG	-	B11 H178 HDG 240	N/A	N/A	FS-100-H-HG-20	-	H-112-RS-HDG X 20	1522 HD (20)
G812OS1HDG	-	B11 SH HDG 120	N/A	N/A	FS-100-SS-HG-10	FS12314-10-HD	H-112-OS-HDG X 10	1511 HD (10)
G812OS2HDG	-	B11 SH HDG 240	N/A	N/A	FS-100-SS-HG-20	FS12314-20-HD	H-112-OS-HDG X 20	1512 HD (20)
G812LS1HDG	-	B11 S HDG 120	N/A	N/A	FS-100-SL-HG-10	-	H-112-OS3-HDG X 10	1531 HD (10)
G812LS2HDG	-	B11 S HDG 240	N/A	N/A	FS-100-SL-HG-20	-	H-112-OS3-HDG X 20	1532 HD (20)
G812A1HDG	-	B11A HDG 120	N/A	N/A	FS-101-HG-10	-	-	1501A HD (10)
G812A2HDG	-	B11A HDG 240	N/A	N/A	FS-101-HG-20	-	-	1502A HD (20)
G812AOS1HDG	-	-	N/A	N/A	-	FS12314BB-10-HD	-	1511A HD (10)
G812AOS2HDG	-	-	N/A	N/A	-	FS12314BB-20-HD	-	1512A HD (20)
G812KO1HDG	-	B11 KO6 HDG 120	N/A	N/A	FS-100-KO-HG-10	-	H-112-KO-HDG X 10	1541 HD (10)
G812KO2HDG	-	B11 KO6 HDG 240	N/A	N/A	FS-100-KO-HG-20	-	H-112-KO-HDG X 20	1542 HD (20)

STRUT INDUSTRY PRODUCT CODES » G812/G812A

3 1/4" X 1 5/8"

PRE-GALVANIZED » G812 – 3 1/4" X 1 5/8"

G-STRUT®	POWER/ATKORE	PUPCO	SASCO	SUPERSTRUT/ ABB	UNISTRUT/ATKORE	VERSABAR/ZSI	WESANCO/ZSI
G8121	PS 100 10 PG	AS-112-PG (10)	S9G (10)	H1200 10PG	P5000 10PG	VA-11 EG (10)	W-150 PRE-GALV (10)
G8122	PS 100 20 PG	AS-112-PG (20)	S9G (20)	H1200 20PG	P5000 20PG	VA-11 EG (20)	W-150 PRE-GALV (20)
G812H1	PS 100 H 10 PG	AS-112-RS-PG (10)	S9H112G (10)	H1200-P 10PG	P5000 HS 10PG	VA-11P1.5 (10)	W-150 H PRE-GALV(10)
G812H2	PS 100 H 20 PG	AS-112-RS-PG (20)	S9H112G (20)	H1200-P 20PG	P5000 HS 20PG	VA-11P1.5 (20)	W-150 H PRE-GALV (20)
G812OS1	PS 100 EH 10 PG	AS-112-OS-PG (10)	S9SL2G (10)	H1200-HS 10PG	P5000 T 10PG	VA-11PLH EG(10)	W-150 SS PRE-GALV (10)
G812OS2	PS 100 EH 20 PG	AS-112-OS-PG (20)	S9SL2G (20)	H1200-HS 20PG	P5000 T 20PG	VA-11PLH EG (20)	W-150 SS PRE-GALV (20)
G812LS1	PS 100 S 10 PG	AS-112-SL-PG (10)	S9SL4G (10)	N/A	P5000 SL 10PG	N/A	W-150 SL PRE-GALV (10)
G812LS2	PS 100 S 20 PG	AS-112-SL-PG (20)	S9SL4G (20)	N/A	P5000 SL 20PG	N/A	W-151 SL PRE-GALV (20)
G812A1	PS 100 2T3 10 PG	AS-112A-PG (10)	S9BB-G (10)	H1202 10PG	P5001 10PG	VA-11201 EG (10)	W-151 PRE-GALV (10)
G812A2	PS 100 2T3 20 PG	AS-112A-PG (20)	S9BB-G (20)	H1202 20PG	P5001 20PG	VA-11201 EG (20)	W-151 PRE-GALV (20)
G812AOS1	N/A	AS-112A-OS-PG (10)	-	H1202-HS 10PG	N/A	N/A	W-151 SS PRE-GALV (10)
G812AOS2	N/A	AS-112A-OS-PG (20)	-	H1202-HS 20PG	N/A	N/A	W-151 SS PRE-GALV (20)
G812KO1	PS 100 KO6 10 PG	AS-112-KO-PG (10)	S9KO6G (10)	N/A	P5001 KO 10PG	N/A	W-151 KO PRE-GALV (10)
G812KO2	PS 100 KO6 20 PG	AS-112-KO-PG (20)	S9KO6G (20)	N/A	P5001 KO 20PG	N/A	W-151 KO PRE-GALV (20)

GREEN » G812 – 3 1/4" X 1 5/8"

G-STRUT®	POWER/ATKORE	PUPCO	SASCO	SUPERSTRUT/ ABB	UNISTRUT/ATKORE	VERSABAR/ZSI	WESANCO/ZSI
G8121POP	PS 100 10 GR	AS-112-GR (10)	-	H-1200 10GR	P5000 10GR	N/A	W-150 GREEN (10)
G8122POP	PS 100 20 GR	AS-112-GR (20)	-	H-1200 20GR	P5000 20GR	N/A	W-150 GREEN (20)
G812H1POP	PS 100 H 10 GR	AS-112-RS-GR (10)	-	H-1200-H 10GR	P5000 HS 10GR	N/A	W-150 H GREEN (10)
G812H2POP	PS 100 H 20 GR	AS-112-RS-GR (20)	-	H-1200-H 20GR	P5000 HS 20GR	N/A	W-150 H GREEN (20)
G812OS1POP	PS 100 EH 10 GR	AS-112-OS-GR (10)	-	H-1200-HS 10GR	P5000 T 10GR	N/A	W-150 SS GREEN (10)
G812OS2POP	PS 100 EH 20 GR	AS-112-OS-GR (20)	-	H-1200-HS 20GR	P5000 T 20GR	N/A	W-150 SS GREEN (20)
G812LS1POP	PS 100 S 10 GR	AS-112-SL-GR (10)	-	N/A	P5000 SL 10GR	N/A	W-150 SL GREEN (10)
G812LS2POP	PS 100 S 20 GR	AS-112-SL-GR (20)	-	N/A	P5000 SL 20GR	N/A	W-151 SL GREEN (20)
G812A1POP	PS 100 2T3 10 GR	AS-112A-GR (10)	-	H-1202 10GR	P5001 10GR	N/A	W-151 GREEN (10)
G812A2POP	PS 100 2T3 20 GR	AS-112A-GR (20)	-	H-1202 20GR	P5001 20GR	N/A	W-151 GREEN (20)
G812AOS1POP	N/A	AS-112A-OS-GR (10)	-	H-1202-HS 10GR	N/A	N/A	W-151 SS GREEN (10)
G812AOS2POP	N/A	AS-112A-OS-GR (20)	-	H-1202-HS 20GR	N/A	N/A	W-151 SS GREEN (20)
G812KO1POP	PS 100 KO6 10 GR	AS-112-KO-GR (10)	-	N/A	P5001 KO 10PG	N/A	W-151 KO GREEN (10)
G812KO2POP	PS 100 KO6 20 GR	AS-112-KO-GR (20)	-	N/A	P5001 KO 20PG	N/A	W-151 KO GREEN (20)

YELLOW ZINC (GOLD) » G812 – 3 1/4" X 1 5/8"

G-STRUT®	POWER/ATKORE	PUPCO	SASCO	SUPERSTRUT/ ABB	UNISTRUT/ATKORE	VERSABAR/ZSI	WESANCO/ZSI
G8121YZ	PS 100 10 ZD	AS-112-GD (10)	N/A	-	N/A	N/A	-
G8122YZ	PS 100 20 ZD	AS-112-GD (20)	N/A	-	N/A	N/A	-
G812H1YZ	PS 100 H 10 ZD	AS-112-RS-GD (10)	N/A	-	N/A	N/A	-
G812H2YZ	PS 100 H 20 ZD	AS-112-RS-GD (20)	N/A	-	N/A	N/A	-
G812OS1YZ	PS 100 EH 10 ZD	AS-112-OS-GD (10)	N/A	-	N/A	N/A	-
G812OS2YZ	PS 100 EH 20 ZD	AS-112-OS-GD (20)	N/A	-	N/A	N/A	-
G812LS1YZ	PS 100 S 10 ZD	AS-112-SL-GD (10)	N/A	-	N/A	N/A	-
G812LS2YZ	PS 100 S 20 ZD	AS-112-SL-GD (20)	N/A	-	N/A	N/A	-
G812A1YZ	PS 100 2T3 10 ZD	AS-112A-GD (10)	N/A	-	N/A	N/A	-
G812A2YZ	PS 100 2T3 20 ZD	AS-112A-GD (20)	N/A	-	N/A	N/A	-
G812AOS1YZ	N/A	AS-112A-OS-GD (10)	N/A	-	N/A	N/A	-
G812AOS2YZ	N/A	AS-112A-OS-GD (20)	N/A	-	N/A	N/A	-
G812KO1YZ	PS 100 KO6 10 ZD	AS-112-KO-GD (10)	N/A	-	N/A	N/A	-
G812KO2YZ	PS 100 KO6 20 ZD	AS-112-KO-GD (20)	N/A	-	N/A	N/A	-

PLAIN » G812 – 3 1/4" X 1 5/8"

G-STRUT®	POWER/ATKORE	PUPCO	SASCO	SUPERSTRUT/ ABB	UNISTRUT/ATKORE	VERSABAR/ZSI	WESANCO/ZSI
G8121PO	PS 100 10 PL	AS-112-BK (10)	S9P (10)	H1200 10B	P5000 10PL	N/A	W-150 PLAIN (10)
G8122PO	PS 100 20 PL	AS-112-BK (20)	S9P (20)	H1200 20B	P5000 20PL	N/A	W-150 PLAIN (20)
G812H1PO	PS 100 H 10 PL	AS-112-RS-BK (10)	S9H112P (10)	H1200-H 10B	P5000 HS 10PL	N/A	W-150 H PLAIN (10)
G812H2PO	PS 100 H 20 PL	AS-112-RS-BK (20)	S9H112P (20)	H1200-H 20B	P5000 HS 20PL	N/A	W-150 H PLAIN (20)
G812OS1PO	PS 100 EH 10 PL	AS-112-OS-BK (10)	S9SL2P (10)	H1200-HS 10B	P5000 T 10PL	N/A	W-150 SS PLAIN(10)
G812OS2PO	PS 100 EH 20 PL	AS-112-OS-BK (20)	S9SL2P (20)	H1200-HS 20B	P5000 T 20PL	N/A	W-150 SS PLAIN (20)
G812LS1PO	PS 100 S 10 PL	AS-112-SL-BK (10)	S9SL4P (10)	N/A	P5000 SL 10PL	N/A	W-150 SL PLAIN (10)
G812LS2PO	PS 100 S 20 PL	AS-112-SL-BK (20)	S9SL4P (20)	N/A	P5000 SL 20PL	N/A	W-151 SL PLAIN (20)
G812A1PO	PS 100 2T3 10 PL	AS-112A-BK (10)	S9BB-P (10)	H1202 10B	P5001 10PL	N/A	W-151 PLAIN (10)
G812A2PO	PS 100 2T3 20 PL	AS-112A-BK (20)	S9BB-P (20)	H1202 20B	P5001 20PL	N/A	W-151 PLAIN (20)
G812AOS1PO	N/A	AS-112A-OS-BK (10)	-	N/A	P5001T 10PL	N/A	W-151 SS PLAIN (10)
G812AOS2PO	N/A	AS-112A-OS-BK (20)	-	N/A	P5001T 20PL	N/A	W-151 SS PLAIN (20)
G812KO1PO	PS 100 KO6 10 PL	AS-112-KO-BK (10)	S9KO6P (10)	N/A	P5000 KO 10PL	N/A	W-151 KO PLAIN (10)
G812KO2PO	PS 100 KO6 20 PL	AS-112-KO-BK (20)	S9KO6P (20)	N/A	P5000 KO 20PL	N/A	W-151 KO PLAIN (20)

HOT-DIPPED GALVANIZED » G812 – 3 1/4" X 1 5/8"

G-STRUT®	POWER/ATKORE	PUPCO	SASCO	SUPERSTRUT/ ABB	UNISTRUT/ATKORE	VERSABAR/ZSI	WESANCO/ZSI
G8121HDG	PS 100 10 HG	AS-112-HD (10)	S9HG (10)	H1200 10HDG	P5000 10HG	N/A	W-150 HDGAF (10)
G8122HDG	PS 100 20 HG	AS-112-HD (20)	S9HG (20)	H1200 20HDG	P5000 20HG	N/A	W-150 HDGAF (20)
G812H1HDG	PS 100 H 10 HG	AS-112-RS-HD (10)	S9H112HG (10)	H1200-H 10HDG	P5000 HS 10HG	N/A	W-150 H HDGAF (10)
G812H2HDG	PS 100 H 20 HG	AS-112-RS-HD (20)	S9H112HG (20)	H1200-H 20HDG	P5000 HS 20HG	N/A	W-150 H HDGAF (20)
G812OS1HDG	PS 100 EH 10 HG	AS-112-OS-HD (10)	S9SL2HG (10)	H1200-HS 10HDG	P5000 T 10HG	N/A	W-150 SS HDGAF (10)
G812OS2HDG	PS 100 EH 20 HG	AS-112-OS-HD (20)	S9SL2HG (20)	H1200-HS 20HDG	P5000 T 20HG	N/A	W-150 SS HDGAF (20)
G812LS1HDG	PS 100 S 10 HG	AS-112-SL-HD (10)	S9SL4HG (10)	N/A	P5000 SL 10HG	N/A	W-150 SL HDGAF (10)
G812LS2HDG	PS 100 S 20 HG	AS-112-SL-HD (20)	S9SL4HG (20)	N/A	P5000 SL 20HG	N/A	W-151 SL HDGAF (20)
G812A1HDG	PS 100 2T3 10 HG	AS-112A-HD (10)	S9BB-HG (10)	H1202 10HDG	P5001 10HG	N/A	W-151 HDGAF (10)
G812A2HDG	PS 100 2T3 20 HG	AS-112A-HD (20)	S9BB-HG (20)	H1202 20HDG	P5001 20HG	N/A	W-151 HDGAF (20)
G812AOS1HDG	N/A	AS-112A-OS-HD (10)	-	N/A	P5001T 10HG	N/A	W-151 SS HDGAF (10)
G812AOS2HDG	N/A	AS-112A-OS-HD (20)	-	N/A	P5001T 20HG	N/A	W-151 SS HDGAF (20)
G812KO1HDG	PS 100 KO6 10 HG	AS-112-KO-HD (10)	S9KO6HG (10)	N/A	P5000 KO 10HG	N/A	W-151 KO HDGAF (10)
G812KO2HDG	PS 100 KO6 20 HG	AS-112-KO-HD (20)	S9KO6HG (20)	N/A	P5000 KO 20HG	N/A	W-151 KO HDGAF (20)

STRUT INDUSTRY PRODUCT CODES » G812/G812A

3 1/4" X 1 5/8"

STAINLESS STEEL (GRADE 304) » G812 - 3 1/4" X 1 5/8"

G-STRUT®	ANVIL	B-LINE/EATON	ELITE	ERICO/NVENT	FLEX-STRUT	FLORIDA/ZSI	HAYDON	PHD
G8121SS	N/A	N/A	N/A	N/A	FS-100-ST4-10	-	H-112-SS X 10	1501 SS304 (10)
G8122SS	N/A	N/A	N/A	N/A	FS-100-ST4-20	-	H-112-SS X 20	1502 SS304 (20)
G812H1SS	N/A	N/A	N/A	N/A	FS-100-H-ST4-10	-	H-112-RS-SS X 10	1521 SS304 (10)
G812H2SS	N/A	N/A	N/A	N/A	FS-100-H-ST4-20	-	H-112-RS-SS X 20	1522 SS304 (20)
G812O51SS	N/A	N/A	N/A	N/A	FS-100-SS-ST4-10	FS12314-10-SS	H-112-O5-SS X 10	1511 SS304 (10)
G812O52SS	N/A	N/A	N/A	N/A	FS-100-SS-ST4-20	FS12314-10-SS	H-112-O5-SS X 20	1512 SS304 (20)
G812LS1SS	N/A	N/A	N/A	N/A	FS-100-SL-ST4-10	-	H-112-O53-SS X 10	1531 SS304 (10)
G812LS2SS	N/A	N/A	N/A	N/A	FS-100-SL-ST4-20	-	H-112-O53-SS X 20	1532 SS304 (20)
G812A1SS	N/A	N/A	N/A	N/A	FS-101-ST4-10	-	H-112-A-SS X 10	1501A SS304 (10)
G812A2SS	N/A	N/A	N/A	N/A	FS-101-ST4-20	-	H-112-A-SS X 20	1502A SS304 (20)
G812AOS1SS	N/A	N/A	N/A	N/A	-	FS12314BB-10-SS	-	1511A SS304 (10)
G812AOS2SS	N/A	N/A	N/A	N/A	-	FS12314BB-20-SS	-	1512A SS304 (20)
G812KO1SS	N/A	N/A	N/A	N/A	FS-100-KO-ST4-10	-	H-112-KO-SS X 10	1541 SS304 (10)
G812KO2SS	N/A	N/A	N/A	N/A	FS-100-KO-ST4-20	-	H-112-KO-SS X 20	1542 SS304 (20)

STAINLESS STEEL (GRADE 316) » G812 - 3 1/4" X 1 5/8"

G-STRUT®	ANVIL	B-LINE/EATON	ELITE	ERICO/NVENT	FLEX-STRUT	FLORIDA/ZSI	HAYDON	PHD
G8121SS (316)	N/A	N/A	N/A	N/A	N/A	-	H-112-SS (316) X 10	1501 SS316 (10)
G8122SS (316)	N/A	N/A	N/A	N/A	N/A	-	H-112-SS (316) X 20	1502 SS316 (20)
G812H1SS (316)	N/A	N/A	N/A	N/A	N/A	-	H-112-RS-SS (316) X 10	1521 SS316 (10)
G812H2SS (316)	N/A	N/A	N/A	N/A	N/A	FS12314-10-SS (316)	H-112-RS-SS (316) X 20	1522 SS316 (20)
G812O51SS (316)	N/A	N/A	N/A	N/A	N/A	FS12314-20-SS (316)	H-112-O5-SS (316) X 10	1511 SS316 (10)
G812O52SS (316)	N/A	N/A	N/A	N/A	N/A	-	H-112-O5-SS (316) X 20	1512 SS316 (20)
G812LS1SS (316)	N/A	N/A	N/A	N/A	N/A	-	H-112-O53-SS (316) X 10	1531 SS316 (10)
G812LS2SS (316)	N/A	N/A	N/A	N/A	N/A	-	H-112-O53-SS (316) X 20	1532 SS316 (20)
G812A1SS (316)	N/A	N/A	N/A	N/A	N/A	-	H-112-A-SS (316) X 10	1501A SS316 (10)
G812A2SS (316)	N/A	N/A	N/A	N/A	N/A	-	H-112-A-SS (316) X 20	1502A SS316 (20)
G812AOS1SS (316)	N/A	N/A	N/A	N/A	N/A	FS12314BB-10-SS (316)	-	1511A SS316 (10)
G812AOS2SS (316)	N/A	N/A	N/A	N/A	N/A	FS12314BB-20-SS (316)	-	1512A SS316 (20)
G812KO1SS (316)	N/A	N/A	N/A	N/A	N/A	-	H-112-KO-SS (316) X 10	1541 SS316 (10)
G812KO2SS (316)	N/A	N/A	N/A	N/A	N/A	-	H-112-KO-SS (316) X 20	1542 SS316 (20)

ALUMINUM EXTRUDED » G812 - 3 1/4" X 1 5/8"

G-STRUT®	ANVIL	B-LINE/EATON	ELITE	ERICO/NVENT	FLEX-STRUT	FLORIDA/ZSI	HAYDON	PHD
G8121AL	N/A	B11 AL 120	N/A	N/A	FS-100-AL-10	-	-	1501 AL (10)
G8122AL	N/A	B11 AL 240	N/A	N/A	FS-100-AL-20	-	-	1502 AL (20)
G812H1AL	N/A	B11 H178 AL 120	N/A	N/A	FS-100-H-AL-10	-	-	1521 AL (10)
G812H2AL	N/A	B11 H178 AL 240	N/A	N/A	FS-100-H-AL-20	FS12314-10-ALUMINUM	-	1522 AL (20)
G812O51AL	N/A	B11 SH AL 120	N/A	N/A	FS-100-SS-AL-10	FS12314-20-ALUMINUM	-	1511 AL (10)
G812O52AL	N/A	B11 SH AL 240	N/A	N/A	FS-100-SS-AL-20	-	-	1512 AL (20)
G812LS1AL	N/A	B11 S AL 120	N/A	N/A	FS-100-SL-AL-10	-	-	1531 AL (10)
G812LS2AL	N/A	B11 S AL 240	N/A	N/A	FS-100-SL-AL-20	-	-	1532 AL (20)
G812A1AL	N/A	B11A AL 120	N/A	N/A	FS-101-AL-10	-	-	1501A AL (10)
G812A2AL	N/A	B11A AL 240	N/A	N/A	FS-101-AL-20	-	-	1502A AL (20)
G812AOS1AL	N/A	-	N/A	N/A	-	FS12314BB-10-ALUMINUM	-	1511A AL (10)
G812AOS2AL	N/A	-	N/A	N/A	-	FS12314BB-20-ALUMINUM	-	1512A AL (20)
G812KO1AL	N/A	B11 KO6 AL 120	N/A	N/A	FS-100-KO-AL-10	-	-	1541 AL (10)
G812KO2AL	N/A	B11 KO6 AL 240	N/A	N/A	FS-100-KO-AL-20	-	-	1542 AL (20)

PVC COATED » G812 - 3 1/4" X 1 5/8"

G-STRUT®	ANVIL	B-LINE/EATON	ELITE	ERICO/NVENT	FLEX-STRUT	FLORIDA/ZSI	HAYDON	PHD
G8121PVC	-	N/A	N/A	N/A	N/A	N/A	-	N/A
G8122PVC	-	N/A	N/A	N/A	N/A	N/A	-	N/A
G812H1PVC	-	N/A	N/A	N/A	N/A	N/A	-	N/A
G812H2PVC	-	N/A	N/A	N/A	N/A	N/A	-	N/A
G812O51PVC	-	N/A	N/A	N/A	N/A	N/A	-	N/A
G812O52PVC	-	N/A	N/A	N/A	N/A	N/A	-	N/A
G812LS1PVC	-	N/A	N/A	N/A	N/A	N/A	-	N/A
G812LS2PVC	-	N/A	N/A	N/A	N/A	N/A	-	N/A
G812A1PVC	-	N/A	N/A	N/A	N/A	N/A	-	N/A
G812A2PVC	-	N/A	N/A	N/A	N/A	N/A	-	N/A
G812AOS1PVC	-	N/A	N/A	N/A	N/A	N/A	-	N/A
G812AOS2PVC	-	N/A	N/A	N/A	N/A	N/A	-	N/A
G812KO1PVC	-	N/A	N/A	N/A	N/A	N/A	-	N/A
G812KO2PVC	-	N/A	N/A	N/A	N/A	N/A	-	N/A

STRUT INDUSTRY PRODUCT CODES » G812/G812A

3 1/4" X 1 5/8"

STAINLESS STEEL (GRADE 304) » G812 – 3 1/4" X 1 5/8"

G-STRUT®	POWER/ATKORE	PUPCO	SASCO	SUPERSTRUT/ ABB	UNISTRUT/ATKORE	VERSABAR/ZSI	WESANCO/ZSI
G8121SS	PS 100 10 SS	AS-112-SS4 (10)	-	-	N/A	N/A	N/A
G8122SS	PS 100 10 SS	AS-112-SS4 (20)	-	-	N/A	N/A	N/A
G812H1SS	PS 100 H 10 SS	AS-112-RS-SS4 (10)	-	-	N/A	N/A	N/A
G812H2SS	PS 100 H 20 SS	AS-112-RS-SS4 (20)	-	-	N/A	N/A	N/A
G812OS1SS	PS 100 EH 10 SS	AS-112-OS-SS4 (10)	-	-	N/A	N/A	N/A
G812OS2SS	PS 100 EH 20 SS	AS-112-OS-SS4 (20)	-	-	N/A	N/A	N/A
G812L1SS	PS 100 S 10 SS	AS-112-SL-SS4 (10)	-	-	N/A	N/A	N/A
G812L2SS	PS 100 S 20 SS	AS-112-SL-SS4 (20)	-	-	N/A	N/A	N/A
G812A1SS	PS 100 2T3 10 SS	AS-112A-SS4 (10)	-	-	N/A	N/A	N/A
G812A2SS	PS 100 2T3 20 SS	AS-112A-SS4 (20)	-	-	N/A	N/A	N/A
G812AOS1SS	N/A	AS-112A-OS-SS4 (10)	-	-	N/A	N/A	N/A
G812AOS2SS	N/A	AS-112A-OS-SS4 (20)	-	-	N/A	N/A	N/A
G812KO1SS	PS 100 KO6 10 SS	AS-112-KO-SS4 (10)	-	-	N/A	N/A	N/A
G812KO2SS	PS 100 KO6 20 SS	AS-112-KO-SS4 (20)	-	-	N/A	N/A	N/A

STAINLESS STEEL (GRADE 316) » G812 – 3 1/4" X 1 5/8"

G-STRUT®	POWER/ATKORE	PUPCO	SASCO	SUPERSTRUT/ ABB	UNISTRUT/ATKORE	VERSABAR/ZSI	WESANCO/ZSI
G8121SS (316)	PS 100 10 SS(316)	AS-112-SS6 (10)	-	-	N/A	N/A	N/A
G8122SS (316)	PS 100 20 SS(316)	AS-112-SS6 (20)	-	-	N/A	N/A	N/A
G812H1SS (316)	PS 100 H 10 SS(316)	AS-112-RS-SS6 (10)	-	-	N/A	N/A	N/A
G812H2SS (316)	PS 100 H 20 SS(316)	AS-112-RS-SS6 (20)	-	-	N/A	N/A	N/A
G812OS1SS (316)	PS 100 EH 10 SS(316)	AS-112-OS-SS6 (10)	-	-	N/A	N/A	N/A
G812OS2SS (316)	PS 100 EH 20 SS(316)	AS-112-OS-SS6 (20)	-	-	N/A	N/A	N/A
G812L1SS (316)	PS 100 S 10 SS(316)	AS-112-SL-SS6 (10)	-	-	N/A	N/A	N/A
G812L2SS (316)	PS 100 S 20 SS(316)	AS-112-SL-SS6 (20)	-	-	N/A	N/A	N/A
G812A1SS (316)	PS 100 2T3 10 SS(316)	AS-112A-SS6 (10)	-	-	N/A	N/A	N/A
G812A2SS (316)	PS 100 2T3 20 SS(316)	AS-112A-SS6 (20)	-	-	N/A	N/A	N/A
G812AOS1SS (316)	N/A	AS-112A-OS-SS6 (10)	-	-	N/A	N/A	N/A
G812AOS2SS (316)	N/A	AS-112A-OS-SS6 (20)	-	-	N/A	N/A	N/A
G812KO1SS (316)	PS 100 KO6 10 SS(316)	AS-112-KO-SS6 (10)	-	-	N/A	N/A	N/A
G812KO2SS (316)	PS 100 KO6 20 SS(316)	AS-112-KO-SS6 (20)	-	-	N/A	N/A	N/A

ALUMINUM EXTRUDED » G812 – 3 1/4" X 1 5/8"

G-STRUT®	POWER/ATKORE	PUPCO	SASCO	SUPERSTRUT/ ABB	UNISTRUT/ATKORE	VERSABAR/ZSI	WESANCO/ZSI
G8121AL	PS 100 10 AL	AS-112-AL (10)	S9AL (10)	-	N/A	N/A	N/A
G8122AL	PS 100 20 AL	AS-112-AL (20)	S9AL (20)	-	N/A	N/A	N/A
G812H1AL	PS 100 H 10 AL	AS-112-RS-AL (10)	S9H112AL (10)	-	N/A	N/A	N/A
G812H2AL	PS 100 H 20 AL	AS-112-RS-AL (20)	S9H112AL (20)	-	N/A	N/A	N/A
G812OS1AL	PS 100 EH 10 AL	AS-112-OS-AL (10)	S9SL2AL (10)	-	N/A	N/A	N/A
G812OS2AL	PS 100 EH 20 AL	AS-112-OS-AL (20)	S9SL2AL (20)	-	N/A	N/A	N/A
G812L1AL	PS 100 S 10 AL	AS-112-SL-AL (10)	S9SL4AL (10)	-	N/A	N/A	N/A
G812L2AL	PS 100 S 20 AL	AS-112-SL-AL (20)	S9SL4AL (20)	-	N/A	N/A	N/A
G812A1AL	PS 100 2T3 10 AL	AS-112A-AL (10)	S9BB-AL (10)	-	N/A	N/A	N/A
G812A2AL	PS 100 2T3 20 AL	AS-112A-AL (20)	S9BB-AL (20)	-	N/A	N/A	N/A
G812AOS1AL	N/A	AS-112A-OS-AL (10)	-	-	N/A	N/A	N/A
G812AOS2AL	N/A	AS-112A-OS-AL (20)	-	-	N/A	N/A	N/A
G812KO1AL	PS 100 KO6 10 AL	AS-112-KO-AL (10)	S9K06AL (10)	-	N/A	N/A	N/A
G812KO2AL	PS 100 KO6 20 AL	AS-112-KO-AL (20)	S9K06AL (20)	-	N/A	N/A	N/A

PVC COATED » G812 – 3 1/4" X 1 5/8"

G-STRUT®	POWER/ATKORE	PUPCO	SASCO	SUPERSTRUT/ ABB	UNISTRUT/ATKORE	VERSABAR/ZSI	WESANCO/ZSI
G8121PVC	N/A	AS-112-PVC (10)	-	-	N/A	N/A	-
G8122PVC	N/A	AS-112-PVC (20)	-	-	N/A	N/A	-
G812H1PVC	N/A	AS-112-RS-PVC (10)	-	-	N/A	N/A	-
G812H2PVC	N/A	AS-112-RS-PVC (20)	-	-	N/A	N/A	-
G812OS1PVC	N/A	AS-112-OS-PVC (10)	-	-	N/A	N/A	-
G812OS2PVC	N/A	AS-112-OS-PVC (20)	-	-	N/A	N/A	-
G812L1PVC	N/A	AS-112-SL-PVC (10)	-	-	N/A	N/A	-
G812L2PVC	N/A	AS-112-SL-PVC (20)	-	-	N/A	N/A	-
G812A1PVC	N/A	AS-112A-PVC (10)	-	-	N/A	N/A	-
G812A2PVC	N/A	AS-112A-PVC (20)	-	-	N/A	N/A	-
G812AOS1PVC	N/A	AS-112A-OS-PVC (10)	-	-	N/A	N/A	-
G812AOS2PVC	N/A	AS-112A-OS-PVC (20)	-	-	N/A	N/A	-
G812KO1PVC	N/A	AS-112-KO-PVC (10)	-	-	N/A	N/A	-
G812KO2PVC	N/A	AS-112-KO-PVC (20)	-	-	N/A	N/A	-

STRUT INDUSTRY PRODUCT CODES » G712/G712A

2 7/16" X 1 5/8"

PRE-GALVANIZED » G712 – 2 7/16" X 1 5/8"

G-STRUT®	ANVIL	B-LINE/EATON	ELITE	ERICO/NVENT	FLEX-STRUT	FLORIDA/ZSI	HAYDON	PHD
G7121	AS 150-PG 10	B12 GALV 120	N/A	D121000PG	FS-150-PG-10	-	H-122 PG X 10	1601 PG (10)
G7122	AS 150-PG 20	B12 GALV 240	N/A	D122000PG	FS-150-PG-20	-	H-122 PG X 20	1602 PG (20)
G712H1	AS 150H-PG 10	B12 H178 GALV 120	N/A	-	FS-150-H-PG-10	-	H-122-RS-PG X 10	1621 PG (10)
G712H2	AS 150H-PG 20	B12 H178 GALV 240	N/A	-	FS-150-H-PG-20	-	H-122-RS-PG X 20	1622 PG (20)
G712OS1	AS 150EH-PG 10	B12 SH GALV 120	N/A	D12HS1000PG	FS-150-SS-PG-10	FS122716-10-PRE-GALV	H-122-OS-PG X 10	1611 PG (10)
G712OS2	AS 150EH-PG 20	B12 SH GALV 240	N/A	D12HS2000PG	FS-150-SS-PG-20	FS122716-20-PRE-GALV	H-122-OS-PG X 20	1612 PG (20)
G712LS1	AS 150S-PG 10	B12 S GALV 120	N/A	-	FS-150-SL-PG-10	-	H-122-OS3-PG X 10	1631 PG (10)
G712LS2	AS 150S-PG 20	B12 S GALV 240	N/A	-	FS-150-SL-PG-20	-	H-122-OS3-PG X 20	1632 PG (20)
G712A1	AS 150BTB-PG 10	B12A GALV 120	N/A	-	FS-151-PG-10	-	H-122-A-PG X 10	1601A PG (10)
G712A2	AS 150BTB-PG 20	B12A GALV 240	N/A	-	FS-151-PG-20	-	H-122-A-PG X 20	1602A PG (20)
G712AOS1	AS 150EH BTB-PG 10	-	N/A	-	-	FS122716BB-10-PRE-GALV	-	1611A PG (10)
G712AOS2	AS 150EH BTB-PG 20	-	N/A	-	-	FS122716BB-20-PRE-GALV	-	1612A PG (20)
G712KO1	AS 150KO-PG 10	B12 KO6 GALV 120	N/A	-	FS-151-KO-PG-10	-	H-122-KO-PG X 10	1641 PG (10)
G712KO2	AS 150KO-PG 20	B12 KO6 GALV 240	N/A	-	FS-151-KO-PG-20	-	H-122-KO-PG X 20	1642 PG (20)

GREEN » G712 – 2 7/16" X 1 5/8"

G-STRUT®	ANVIL	B-LINE/EATON	ELITE	ERICO/NVENT	FLEX-STRUT	FLORIDA/ZSI	HAYDON	PHD
G7121POP	AS 150-GR 10	B12 GRN 120	N/A	D12PGRN10	FS-150-GR-10	N/A	H-122 GR X 10	N/A
G7122POP	AS 150-GR 20	B12 GRN 240	N/A	D12PGRN20	FS-150-GR-20	N/A	H-122 GR X 20	N/A
G712H1POP	AS 150H-GR 10	B12 H178 GRN 120	N/A	-	FS-150-H-GR-10	N/A	H-122-RS-GR X 10	N/A
G712H2POP	AS 150H-GR 20	B12 H178 GRN 240	N/A	-	FS-150-H-GR-20	N/A	H-122-RS-GR X 20	N/A
G712OS1POP	AS 150EH-GR 10	B12 SH GRN 120	N/A	D12HS1000GRN	FS-150-SS-GR-10	N/A	H-122-OS-GR X 10	N/A
G712OS2POP	AS 150EH-GR 20	B12 SH GRN 240	N/A	D12HS2000GRN	FS-150-SS-GR-20	N/A	H-122-OS-GR X 20	N/A
G712LS1POP	AS 150S-GR 10	B12 S GRN 120	N/A	D12S1000GRN	FS-150-SL-GR-10	N/A	H-122-OS3-GR X 10	N/A
G712LS2POP	AS 150S-GR 20	B12 S GRN 240	N/A	D12S2000GRN	FS-150-SL-GR-20	N/A	H-122-OS3-GR X 20	N/A
G712A1POP	AS 150BTB-GR 10	B12A GRN 120	N/A	-	FS-151-GR-10	N/A	H-122-A-GR X 10	N/A
G712A2POP	AS 150BTB-GR 20	B12A GRN 240	N/A	-	FS-151-GR-20	N/A	H-122-A-GR X 20	N/A
G712AOS1POP	AS 150EH BTB-GR 10	-	N/A	-	-	N/A	-	N/A
G712AOS2POP	AS 150EH BTB-GR 20	-	N/A	-	-	N/A	-	N/A
G712KO1POP	AS 150KO-GR 10	B12 KO6 GRN 120	N/A	-	FS-150-KO-GR-10	N/A	H-122-KO-GR X 10	N/A
G712KO2POP	AS 150KO-GR 20	B12 KO6 GRN 240	N/A	-	FS-150-KO-GR-20	N/A	H-122-KO-GR X 20	N/A

YELLOW ZINC (GOLD) » G712 – 2 7/16" X 1 5/8"

G-STRUT®	ANVIL	B-LINE/EATON	ELITE	ERICO/NVENT	FLEX-STRUT	FLORIDA/ZSI	HAYDON	PHD
G7121YZ	-	-	N/A	N/A	N/A	N/A	H-122-ZN X 10	N/A
G7122YZ	-	-	N/A	N/A	N/A	N/A	H-122-ZN X 20	N/A
G712H1YZ	-	-	N/A	N/A	N/A	N/A	H-122-RS-ZN X 10	N/A
G712H2YZ	-	-	N/A	N/A	N/A	N/A	H-122-RS-ZN X 20	N/A
G712OS1YZ	-	-	N/A	N/A	N/A	N/A	H-122-OS-ZN X 10	N/A
G712OS2YZ	-	-	N/A	N/A	N/A	N/A	H-122-OS-ZN X 20	N/A
G712LS1YZ	-	-	N/A	N/A	N/A	N/A	H-122-OS3-ZN X 10	N/A
G712LS2YZ	-	-	N/A	N/A	N/A	N/A	H-122-OS3-ZN X 20	N/A
G712A1YZ	-	-	N/A	N/A	N/A	N/A	H-122-A-ZN X 10	N/A
G712A2YZ	-	-	N/A	N/A	N/A	N/A	H-122-A-ZN X 20	N/A
G712AOS1YZ	-	-	N/A	N/A	N/A	N/A	-	N/A
G712AOS2YZ	-	-	N/A	N/A	N/A	N/A	-	N/A
G712KO1YZ	-	-	N/A	N/A	N/A	N/A	H-122-KO-ZN X 10	N/A
G712KO2YZ	-	-	N/A	N/A	N/A	N/A	H-122-KO-ZN X 20	N/A

GALVANNEALED WIZCOAT™ » G712 – 2 7/16" X 1 5/8"

G-STRUT®	ANVIL	B-LINE/EATON	ELITE	ERICO/NVENT	FLEX-STRUT	FLORIDA/ZSI	HAYDON	PHD
G7121GN	N/A	N/A	N/A	N/A	N/A	N/A	N/A	N/A
G7122GN	N/A	N/A	N/A	N/A	N/A	N/A	N/A	N/A
G712H1GN	N/A	N/A	N/A	N/A	N/A	N/A	N/A	N/A
G712H2GN	N/A	N/A	N/A	N/A	N/A	N/A	N/A	N/A
G712OS1GN	N/A	N/A	N/A	N/A	N/A	N/A	N/A	N/A
G712OS2GN	N/A	N/A	N/A	N/A	N/A	N/A	N/A	N/A
G712LS1GN	N/A	N/A	N/A	N/A	N/A	N/A	N/A	N/A
G712LS2GN	N/A	N/A	N/A	N/A	N/A	N/A	N/A	N/A
G712A1GN	N/A	N/A	N/A	N/A	N/A	N/A	N/A	N/A
G712A2GN	N/A	N/A	N/A	N/A	N/A	N/A	N/A	N/A
G712AOS1GN	N/A	N/A	N/A	N/A	N/A	N/A	N/A	N/A
G712AOS2GN	N/A	N/A	N/A	N/A	N/A	N/A	N/A	N/A
G712AKO1GN	N/A	N/A	N/A	N/A	N/A	N/A	N/A	N/A
G712AKO2GN	N/A	N/A	N/A	N/A	N/A	N/A	N/A	N/A

PLAIN » G712 – 2 7/16" X 1 5/8"

G-STRUT®	ANVIL	B-LINE/EATON	ELITE	ERICO/NVENT	FLEX-STRUT	FLORIDA/ZSI	HAYDON	PHD
G7121PO	AS 150-PL 10	B12 PLN 120	N/A	N/A	FS-150-PL-10	-	H-122 PL X 10	1601 PL (10)
G7122PO	AS 150-PL 20	B12 PLN 240	N/A	N/A	FS-150-PL-20	-	H-122-PL X 20	1602 PL (20)
G712H1PO	AS 150H-PL 10	B12 H178 PLN 120	N/A	N/A	FS-150-H-PL-10	-	H-122-RS-PL X 10	1621 PL (10)
G712H2PO	AS 150H-PL 20	B12 H178 PLN 240	N/A	N/A	FS-150-H-PL-20	-	H-122-RS-PL X 20	1622 PL (20)
G712OS1PO	AS 150EH-PL 10	B12 SH PLN 120	N/A	N/A	FS-150-SS-PL-10	FS122716-10-PLAIN	H-122-OS-PL X 10	1611 PL (10)
G712OS2PO	AS 150EH-PL 20	B12 SH PLN 240	N/A	N/A	FS-150-SS-PL-20	FS122716-20-PLAIN	H-122-OS-PL X 20	1612 PL (20)
G712LS1PO	AS 150S-PL 10	B12 S PLN 120	N/A	N/A	FS-150-SL-PL-10	-	H-122-OS3-PL X 10	1631 PL (10)
G712LS2PO	AS 150S-PL 20	B12 S PLN 240	N/A	N/A	FS-150-SL-PL-20	-	H-122-OS3-PL X 20	1632 PL (20)
G712A1PO	AS 150BTB-PL 10	B12A PLN 120	N/A	N/A	FS-151-PL-10	-	H-122-A-PL X 10	1601A PL (10)
G712A2PO	AS 150BTB-PL 20	B12A PLN 240	N/A	N/A	FS-151-PL-20	-	H-122-A-PL X 20	1602A PL (20)
G712AOS1PO	AS 150EH BTB-PL 10	-	N/A	N/A	-	FS122716BB-10-PLAIN	-	1611A PL (10)
G712AOS2PO	AS 150EH BTB-PL 20	-	N/A	N/A	-	FS122716BB-20-PLAIN	-	1612A PL (20)
G712KO1PO	AS 150KO-PL 10	-	N/A	N/A	FS-150-KO-PL-10	-	H-122-KO-PL X 10	1641 PL (10)
G712KO2PO	AS 150KO-PL 20	-	N/A	N/A	FS-150-KO-PL-20	-	H-122-KO-PL X 20	1642 PL (20)

STRUT INDUSTRY PRODUCT CODES » G712/G712A

2 7/16" X 1 5/8"

PRE-GALVANIZED » G712 – 2 7/16" X 1 5/8"

G-STRUT®	POWER/ATKORE	PUPCO	SASCO	SUPERSTRUT/ ABB	UNISTRUT/ATKORE	VERSABAR/ZSI	WESANCO/ZSI
G7121	PS 150 10 PG	AS-122-PG (10)	S1G (10)	E1200 10PG	P5500 10PG	N/A	W-100 PRE-GALV (10)
G7122	PS 150 20 PG	AS-122-PG (20)	S1G (20)	E1200 20PG	P5500 20PG	N/A	W-100 PRE-GALV (20)
G712H1	PS 150 H 10 PG	AS-122-RS-PG (10)	S1H112G (10)	N/A	P5500 HS 10PG	N/A	W-100 H PRE-GALV(10)
G712H2	PS 150 H 20 PG	AS-122-RS-PG (20)	S1H112G (20)	N/A	P5500 HS 20PG	N/A	W-100 H PRE-GALV (20)
G712OS1	PS 150 EH 10 PG	AS-122-OS-PG (10)	S1SL2G (10)	E1200-HS 10PG	P5500 T 10PG	N/A	W-100 SS PRE-GALV (10)
G712OS2	PS 150 EH 20 PG	AS-122-OS-PG (20)	S1SL2G (20)	E1200-HS 20PG	P5500 T 20PG	N/A	W-100 SS PRE-GALV (20)
G712LS1	PS 150 S 10 PG	AS-122-SL-PG (10)	S1SL4G (10)	N/A	P5500 SL 10PG	N/A	W-100 SL PRE-GALV (10)
G712LS2	PS 150 S 20 PG	AS-122-SL-PG (20)	S1SL4G (20)	N/A	P5500 SL 20PG	N/A	W-100 SL PRE-GALV (20)
G712A1	PS 150 2T3 10 PG	AS-122A-PG (10)	S1BBG (10)	E1202 10PG	P5501 10PG	N/A	W-101 PRE-GALV (10)
G712A2	PS 150 2T3 20 PG	AS-122A-PG (20)	S1BBG (20)	E1202 20PG	P5501 20PG	N/A	W-101 PRE-GALV (20)
G712AOS1	PS 150 2T3 EH 10 PG	AS-122A-OS-PG (10)	-	E1200A-HS 10PG	P5501T 10PG	N/A	W-101 SS PRE-GALV (10)
G712AOS2	PS 150 2T3 EH 20 PG	AS-122A-OS-PG (20)	-	E1200A-HS 20PG	P5501T 20PG	N/A	W-101 SS PRE-GALV (20)
G712KO1	PS 150 KO6 10 PG	AS-122-KO-PG (10)	S1KO6G (10)	N/A	P5500 KO 10PG	N/A	W-100 KO PRE-GALV (10)
G712KO2	PS 150 KO6 20 PG	AS-122-KO-PG (20)	S1KO6G (20)	N/A	P5500 KO 20PG	N/A	W-100 KO PRE-GALV (20)

GREEN » G712 – 2 7/16" X 1 5/8"

G-STRUT®	POWER/ATKORE	PUPCO	SASCO	SUPERSTRUT/ ABB	UNISTRUT/ATKORE	VERSABAR/ZSI	WESANCO/ZSI
G7121POP	PS 150 10 GR	AS-122-GR (10)	-	E1200 10GR	P5500 10GR	N/A	W-100 GREEN (10)
G7122POP	PS 150 20 GR	AS-122-GR (20)	-	E1200 20GR	P5500 20GR	N/A	W-100 GREEN (20)
G712H1POP	PS 150 H 10 GR	AS-122-RS-GR (10)	-	N/A	P5500 HS 10GR	N/A	W-100 H GREEN (10)
G712H2POP	PS 150 H 20 GR	AS-122-RS-GR (20)	-	N/A	P5500 HS 20GR	N/A	W-100 H GREEN (20)
G712OS1POP	PS 150 EH 10 GR	AS-122-OS-GR (10)	-	E1200-HS 10GR	P5500 T 10GR	N/A	W-100 SS GREEN (10)
G712OS2POP	PS 150 EH 20 GR	AS-122-OS-GR (20)	-	E1200-HS 10GR	P5500 T 20GR	N/A	W-100 SS GREEN (20)
G712LS1POP	PS 150 S 10 GR	AS-122-SL-GR (10)	-	N/A	P5500 SL 10GR	N/A	W-100 SL GREEN (10)
G712LS2POP	PS 150 S 20 GR	AS-122-SL-GR (20)	-	N/A	P5500 SL 20GR	N/A	W-100 SL GREEN (20)
G712A1POP	PS 150 2T3 10 GR	AS-122A-GR (10)	-	E1202 10GR	P5501 10GR	N/A	W-101 GREEN (10)
G712A2POP	PS 150 2T3 20 GR	AS-122A-GR (20)	-	E1202 20GR	P5501 20GR	N/A	W-101 GREEN (20)
G712AOS1POP	PS 150 2T3 EH 10 GR	AS-122A-OS-GR (10)	-	E1202-HS 10GR	P5501T 10GR	N/A	W-101 SS GREEN (10)
G712AOS2POP	PS 150 2T3 EH 20 GR	AS-122A-OS-GR (20)	-	E1202-HS 20GR	P5501T 20GR	N/A	W-101 SS GREEN (20)
G712KO1POP	PS 150 KO6 10 GR	AS-122-KO-GR (10)	-	N/A	P5501 KO 10PG	N/A	W-100 KO GREEN (10)
G712KO2POP	PS 150 KO6 20 GR	AS-122-KO-GR (20)	-	N/A	P5501 KO 20PG	N/A	W-100 KO GREEN (20)

YELLOW ZINC (GOLD) » G712 – 2 7/16" X 1 5/8"

G-STRUT®	POWER/ATKORE	PUPCO	SASCO	SUPERSTRUT/ ABB	UNISTRUT/ATKORE	VERSABAR/ZSI	WESANCO/ZSI
G7121YZ	PS 150 10 ZD	AS-122-GD (10)	-	-	N/A	N/A	-
G7122YZ	PS 150 20 ZD	AS-122-GD (20)	-	-	N/A	N/A	-
G712H1YZ	PS 150 H 10 ZD	AS-122-RS-GD (10)	-	-	N/A	N/A	-
G712H2YZ	PS 150 H 20 ZD	AS-122-RS-GD (20)	-	-	N/A	N/A	-
G712OS1YZ	PS 150 EH 10 ZD	AS-122-OS-GD (10)	-	-	N/A	N/A	-
G712OS2YZ	PS 150 EH 20 ZD	AS-122-OS-GD (20)	-	-	N/A	N/A	-
G712LS1YZ	PS 150 S 10 ZD	AS-122-SL-GD (10)	-	-	N/A	N/A	-
G712LS2YZ	PS 150 S 20 ZD	AS-122-SL-GD (20)	-	-	N/A	N/A	-
G712A1YZ	PS 150 2T3 10 ZD	AS-122A-GD (10)	-	-	N/A	N/A	-
G712A2YZ	PS 150 2T3 20 ZD	AS-122A-GD (20)	-	-	N/A	N/A	-
G712AOS1YZ	PS 150 2T3 EH 10 ZD	AS-122A-OS-GD (10)	-	-	N/A	N/A	-
G712AOS2YZ	PS 150 2T3 EH 20 ZD	AS-122A-OS-GD (20)	-	-	N/A	N/A	-
G712KO1YZ	PS 150 KO6 10 ZD	AS-122-KO-GD (10)	-	-	N/A	N/A	-
G712KO2YZ	PS 150 KO6 20 ZD	AS-122-KO-GD (20)	-	-	N/A	N/A	-

GALVANNEALED WIZCOAT™ » G712 – 2 7/16" X 1 5/8"

G-STRUT®	POWER/ATKORE	PUPCO	SASCO	SUPERSTRUT/ ABB	UNISTRUT/ATKORE	VERSABAR/ZSI	WESANCO/ZSI
G7121GN	N/A	N/A	N/A	N/A	N/A	N/A	N/A
G7122GN	N/A	N/A	N/A	N/A	N/A	N/A	N/A
G712H1GN	N/A	N/A	N/A	N/A	N/A	N/A	N/A
G712H2GN	N/A	N/A	N/A	N/A	N/A	N/A	N/A
G712OS1GN	N/A	N/A	N/A	N/A	N/A	N/A	N/A
G712OS2GN	N/A	N/A	N/A	N/A	N/A	N/A	N/A
G712LS1GN	N/A	N/A	N/A	N/A	N/A	N/A	N/A
G712LS2GN	N/A	N/A	N/A	N/A	N/A	N/A	N/A
G712A1GN	N/A	N/A	N/A	N/A	N/A	N/A	N/A
G712A2GN	N/A	N/A	N/A	N/A	N/A	N/A	N/A
G712AOS1GN	N/A	N/A	N/A	N/A	N/A	N/A	N/A
G712AOS2GN	N/A	N/A	N/A	N/A	N/A	N/A	N/A
G712AKO1GN	N/A	N/A	N/A	N/A	N/A	N/A	N/A
G712AKO2GN	N/A	N/A	N/A	N/A	N/A	N/A	N/A

PLAIN » G712 – 2 7/16" X 1 5/8"

G-STRUT®	POWER/ATKORE	PUPCO	SASCO	SUPERSTRUT/ ABB	UNISTRUT/ATKORE	VERSABAR/ZSI	WESANCO/ZSI
G7121PO	PS 150 10 PL	AS-122-BK (10)	S1P (10)	E1200 10B	P5500 10PL	N/A	W-100 PLAIN(10)
G7122PO	PS 150 20 PL	AS-122-BK (20)	S1P (20)	E1200 20B	P5500 20PL	N/A	W-100 PLAIN (20)
G712H1PO	PS 150 H 10 PL	AS-122-RS-BK (10)	S1H112P (10)	N/A	P5500 HS 10PL	N/A	W-100-H PLAIN(10)
G712H2PO	PS 150 H 20 PL	AS-122-RS-BK (20)	S1H112P (20)	N/A	P5500 HS 20PL	N/A	W-100-H PLAIN(20)
G712OS1PO	PS 150 EH 10 PL	AS-122-OS-BK (10)	S1SL2P (10)	E1200-HS 10B	P5500 T 10PL	N/A	W-100-SS PLAIN(10)
G712OS2PO	PS 150 EH 20 PL	AS-122-OS-BK (20)	S1SL2P (20)	E1200-HS 20B	P5500 T 20PL	N/A	W-100-SS PLAIN(20)
G712LS1PO	PS 150 S 10 PL	AS-122-SL-BK (10)	S1SL4P (10)	N/A	P5500 SL 10PL	N/A	W-100-SL PLAIN(10)
G712LS2PO	PS 150 S 20 PL	AS-122-SL-BK (10)	S1SL4P (20)	N/A	P5500 SL 20PL	N/A	W-100-SL PLAIN(20)
G712A1PO	PS 150 2T3 10 PL	AS-122A-BK (10)	S1BB-P (10)	E1202 10B	P5501 10PL	N/A	W-101 PLAIN(10)
G712A2PO	PS 150 2T3 20 PL	AS-122A-BK (20)	S1BB-P (20)	E1202 20B	P5501 20PL	N/A	W-101 PLAIN(20)
G712AOS1PO	PS 150 2T3 EH 10 PL	AS-122A-OS-BK (10)	-	E1202-HS 10B	P5501T 10PL	N/A	W-101-SS PLAIN(10)
G712AOS2PO	PS 150 2T3 EH 20 PL	AS-122A-OS-BK (20)	-	E1202-HS 20B	P5501T 20PL	N/A	W-101-SS PLAIN(20)
G712KO1PO	N/A	AS-122-KO-BK (10)	-	N/A	P5500 KO 10PL	N/A	W-100-KO PLAIN(10)
G712KO2PO	N/A	AS-122-KO-BK (20)	-	N/A	P5500 KO 20PL	N/A	W-100-KO PLAIN(20)

CROSS REFERENCE CHARTS

STRUT INDUSTRY PRODUCT CODES » G712/G712A

2 7/16" X 1 5/8"

STAINLESS STEEL (GRADE 304 N/A) » G712 - 2 7/16" X 1 5/8"

G-STRUT®	ANVIL	B-LINE/EATON	ELITE	ERICO/NVENT	FLEX-STRUT	FLORIDA/ZSI	HAYDON	PHD
G7121SS	N/A	-	N/A	N/A	FS-150-ST4-10	-	H-122 SS X 10	1601 SS304 (10)
G7122SS	N/A	-	N/A	N/A	FS-150-ST4-20	-	H-122 SS X 20	1602 SS304 (20)
G712H1SS	N/A	-	N/A	N/A	FS-150-H-ST4-10	-	H-122-RS-SS X 10	1621 SS304 (10)
G712H2SS	N/A	-	N/A	N/A	FS-150-H-ST4-20	-	H-122-RS-SS X 20	1622 SS304 (20)
G712OS1SS	N/A	-	N/A	N/A	FS-150-SS-ST4-10	FS122716-10-SS	H-122-OS-SS X 10	1611 SS304 (10)
G712OS2SS	N/A	-	N/A	N/A	FS-150-SS-ST4-20	FS122716-20-SS	H-122-OS-SS X 20	1612 SS304 (20)
G712LS1SS	N/A	-	N/A	N/A	FS-150-SL-ST4-10	-	H-122-OS3-SS X 10	1631 SS304 (10)
G712LS2SS	N/A	-	N/A	N/A	FS-150-SL-ST4-20	-	H-122-OS3-SS X 20	1632 SS304 (20)
G712A1SS	N/A	-	N/A	N/A	FS-151-ST4-10	-	H-122-A-SS X 10	1601A SS304 (10)
G712A2SS	N/A	-	N/A	N/A	FS-151-ST4-20	-	H-122-A-SS X 20	1602A SS304 (20)
G712AOS1SS	N/A	-	N/A	N/A	-	FS122716BB-10-SS	-	1611A SS304 (10)
G712AOS2SS	N/A	-	N/A	N/A	-	FS122716BB-20-SS	-	1612A SS304 (20)
G712AKO1SS	N/A	-	N/A	N/A	FS-151-KO-ST4-10	-	H-122-KO-SS X 10	1641 SS304 (10)
G712AKO2SS	N/A	-	N/A	N/A	FS-151-KO-ST4-20	-	H-122-KO-SS X 20	1642 SS304 (20)

STAINLESS STEEL (GRADE 316) » G712 - 2 7/16" X 1 5/8"

G-STRUT®	ANVIL	B-LINE/EATON	ELITE	ERICO/NVENT	FLEX-STRUT	FLORIDA/ZSI	HAYDON	PHD
G7121SS (316)	N/A	-	N/A	N/A	N/A	-	H-122 SS(316) X 10	1601 SS316 (10)
G7122SS (316)	N/A	-	N/A	N/A	N/A	-	H-122 SS(316) X 20	1602 SS316 (20)
G712H1SS (316)	N/A	-	N/A	N/A	N/A	-	H-122-RS-SS(316) X 10	1621 SS316 (10)
G712H2SS (316)	N/A	-	N/A	N/A	N/A	-	H-122-RS-SS(316) X 20	1622 SS316 (20)
G712OS1SS (316)	N/A	-	N/A	N/A	N/A	FS122716-10-SS(316)	H-122-OS-SS(316) X 10	1611 SS316 (10)
G712OS2SS (316)	N/A	-	N/A	N/A	N/A	FS122716-20-SS(316)	H-122-OS-SS(316) X 20	1612 SS316 (20)
G712LS1SS (316)	N/A	-	N/A	N/A	N/A	-	H-122-OS3-SS(316) X 10	1631 SS316 (10)
G712LS2SS (316)	N/A	-	N/A	N/A	N/A	-	H-122-OS3-SS(316) X 20	1632 SS316 (20)
G712A1SS (316)	N/A	-	N/A	N/A	N/A	-	H-122-A-SS(316) X 10	1601A SS316 (10)
G712A2SS (316)	N/A	-	N/A	N/A	N/A	-	H-122-A-SS(316) X 20	1602A SS316 (20)
G712AOS1SS (316)	N/A	-	N/A	N/A	N/A	FS122716BB-10-SS(316)	-	1611A SS316 (10)
G712AOS2SS (316)	N/A	-	N/A	N/A	N/A	FS122716BB-20-SS(316)	-	1612A SS316 (20)
G712AKO1SS (316)	N/A	-	N/A	N/A	N/A	-	H-122-KO-SS(316) X 10	1641 SS316 (10)
G712AKO2SS (316)	N/A	-	N/A	N/A	N/A	-	H-122-KO-SS(316) X 20	1642 SS316 (20)

ALUMINUM EXTRUDED » G712 - 2 7/16" X 1 5/8"

G-STRUT®	ANVIL	B-LINE/EATON	ELITE	ERICO/NVENT	FLEX-STRUT	FLORIDA/ZSI	HAYDON	PHD
G7121AL (N/A)	-	B12 AL 120	N/A	N/A	FS-150-AL-10	-	-	1601 AL (10)
G7122AL (N/A)	-	B12 AL 240	N/A	N/A	FS-150-AL-20	-	-	1602 AL (20)
G712H1AL (N/A)	-	B12 H178 AL 120	N/A	N/A	FS-150-H-AL-10	-	-	1621 AL (10)
G712H2AL (N/A)	-	B12 H178 AL 240	N/A	N/A	FS-150-H-AL-20	-	-	1622 AL (20)
G712OS1AL (N/A)	-	B12 SH AL 120	N/A	N/A	FS-150-SS-AL-10	FS122716-10-ALUMINUM	-	1611 AL (10)
G712OS2AL (N/A)	-	B12 SH AL 240	N/A	N/A	FS-150-SS-AL-20	FS122716-20-ALUMINUM	-	1612 AL (20)
G712LS1AL (N/A)	-	B12 SHA AL 120	N/A	N/A	FS-150-SL-AL-10	-	-	1631 AL (10)
G712LS2AL (N/A)	-	B12 SHA AL 240	N/A	N/A	FS-150-SL-AL-20	-	-	1632 AL (20)
G712A1AL (N/A)	-	B12A AL 120	N/A	N/A	FS-151-AL-10	-	-	1601A AL (10)
G712A2AL (N/A)	-	B12A AL 240	N/A	N/A	FS-151-AL-20	-	-	1602A AL (20)
G712AOS1AL (N/A)	-	-	N/A	N/A	-	FS122716BB-10-ALUMINUM	-	1611A AL (10)
G712AOS2AL (N/A)	-	-	N/A	N/A	-	FS122716BB-20-ALUMINUM	-	1612A AL (20)
G712AKO1AL (N/A)	-	-	N/A	N/A	FS-150-KO-AL-10	-	-	1641 AL (10)
G712AKO2AL (N/A)	-	-	N/A	N/A	FS-150-KO-AL-20	-	-	1642 AL (20)

HOT-DIPPED GALVANIZED » G712 - 2 7/16" X 1 5/8"

G-STRUT®	ANVIL	B-LINE/EATON	ELITE	ERICO/NVENT	FLEX-STRUT	FLORIDA/ZSI	HAYDON	PHD
G7121HDG	-	B12 HDG 120	N/A	N/A	FS-150-HD-10	-	H-122-HDG X 10	N/A
G7122HDG	-	B12 HDG 240	N/A	N/A	FS-150-HD-20	-	H-122-HDG X 20	N/A
G712H1HDG	-	B12 H178 HDG 120	N/A	N/A	FS-150-H-HD-10	-	H-122-RS-HDG X 10	N/A
G712H2HDG	-	B12 H178 HDG 240	N/A	N/A	FS-150-H-HD-20	-	H-122-RS-HDG X 20	N/A
G712OS1HDG	-	B12 SH HDG 120	N/A	N/A	FS-150-SS-HD-10	FS122716-10-HD	H-122-OS-HDG X 10	N/A
G712OS2HDG	-	B12 SH HDG 240	N/A	N/A	FS-150-SS-HD-20	FS122716-20-HD	H-122-OS-HDG X 20	N/A
G712LS1HDG	-	B12 S HDG 120	N/A	N/A	FS-150-SL-HD-10	-	H-122-OS3-HDG X 10	N/A
G712LS2HDG	-	B12 S HDG 240	N/A	N/A	FS-150-SL-HD-20	-	H-122-OS3-HDG X 20	N/A
G712A1HDG	-	B12A HDG 120	N/A	N/A	FS-151-HD-10	-	H-122-A-HDG X 10	N/A
G712A2HDG	-	B12A HDG 240	N/A	N/A	FS-151-HD-20	-	H-122-A-HDG X 20	N/A
G712AOS1HDG	-	-	N/A	N/A	-	FS122716BB-10-HD	-	N/A
G712AOS2HDG	-	-	N/A	N/A	-	FS122716BB-20-HD	-	N/A
G712AKO1HDG	-	-	N/A	N/A	FS-150-KO-HD-10	-	H-122-KO-HDG X 10	N/A
G712AKO2HDG	-	-	N/A	N/A	FS-150-KO-HD-20	-	H-122-KO-HDG X 20	N/A

PVC COATED » G712 - 2 7/16" X 1 5/8"

G-STRUT®	ANVIL	B-LINE/EATON	ELITE	ERICO/NVENT	FLEX-STRUT	FLORIDA/ZSI	HAYDON	PHD
G7121PVC	-	N/A	N/A	N/A	N/A	N/A	-	N/A
G7122PVC	-	N/A	N/A	N/A	N/A	N/A	-	N/A
G712H1PVC	-	N/A	N/A	N/A	N/A	N/A	-	N/A
G712H2PVC	-	N/A	N/A	N/A	N/A	N/A	-	N/A
G712OS1PVC	-	N/A	N/A	N/A	N/A	N/A	-	N/A
G712OS2PVC	-	N/A	N/A	N/A	N/A	N/A	-	N/A
G712LS1PVC	-	N/A	N/A	N/A	N/A	N/A	-	N/A
G712LS2PVC	-	N/A	N/A	N/A	N/A	N/A	-	N/A
G712A1PVC	-	N/A	N/A	N/A	N/A	N/A	-	N/A
G712A2PVC	-	N/A	N/A	N/A	N/A	N/A	-	N/A
G712AOS1PVC	-	N/A	N/A	N/A	N/A	N/A	-	N/A
G712AOS2PVC	-	N/A	N/A	N/A	N/A	N/A	-	N/A
G712AKO1PVC	-	N/A	N/A	N/A	N/A	N/A	-	N/A
G712AKO2PVC	-	N/A	N/A	N/A	N/A	N/A	-	N/A

STRUT INDUSTRY PRODUCT CODES » G712/G712A

2 7/16" X 1 5/8"

STAINLESS STEEL (GRADE 304 N/A) » G712 – 2 7/16" X 1 5/8"

G-STRUT®	POWER/ATKORE	PUPCO	SASCO	SUPERSTRUT/ ABB	UNISTRUT/ATKORE	VERSABAR/ZSI	WESANCO/ZSI
G7121SS	PS 150 10 SS	AS-122-SS4 (10)	-	-	N/A	N/A	N/A
G7122SS	PS 150 20 SS	AS-122-SS4 (20)	-	-	N/A	N/A	N/A
G712H1SS	PS 150 H 10 SS	AS-122-RS-SS4 (10)	-	-	N/A	N/A	N/A
G712H2SS	PS 150 H 20 SS	AS-122-RS-SS4 (20)	-	-	N/A	N/A	N/A
G7120S1SS	PS 150 EH 10 SS	AS-122-OS-SS4 (10)	-	-	N/A	N/A	N/A
G7120S2SS	PS 150 EH 20 SS	AS-122-OS-SS4 (20)	-	-	N/A	N/A	N/A
G712L1SS	PS 150 S 10 SS	AS-122-SL-SS4 (10)	-	-	N/A	N/A	N/A
G712L2SS	PS 150 S 20 SS	AS-122-SL-SS4 (20)	-	-	N/A	N/A	N/A
G712A1SS	PS 150 2T3 10 SS	AS-122A-SS4 (10)	-	-	N/A	N/A	N/A
G712A2SS	PS 150 2T3 20 SS	AS-122A-SS4 (20)	-	-	N/A	N/A	N/A
G712A0S1SS	PS 150 2T3 EH 10 SS	AS-122A-OS-SS4 (10)	-	-	N/A	N/A	N/A
G712A0S2SS	PS 150 2T3 EH 20 SS	AS-122A-OS-SS4 (20)	-	-	N/A	N/A	N/A
G712AK01SS	N/A	AS-122-KO-SS4 (10)	-	-	N/A	N/A	N/A
G712AK02SS	N/A	AS-122-KO-SS4 (20)	-	-	N/A	N/A	N/A

STAINLESS STEEL (GRADE 316) » G712 – 2 7/16" X 1 5/8"

G-STRUT®	POWER/ATKORE	PUPCO	SASCO	SUPERSTRUT/ ABB	UNISTRUT/ATKORE	VERSABAR/ZSI	WESANCO/ZSI
G7121SS (316)	PS 150 10 SS(316)	AS-122-SS6 (10)	-	-	N/A	N/A	N/A
G7122SS (316)	PS 150 20 SS(316)	AS-122-SS6 (20)	-	-	N/A	N/A	N/A
G712H1SS (316)	PS 150 H 10 SS(316)	AS-122-RS-SS6 (10)	-	-	N/A	N/A	N/A
G712H2SS (316)	PS 150 H 20 SS(316)	AS-122-RS-SS6 (20)	-	-	N/A	N/A	N/A
G7120S1SS (316)	PS 150 EH 10 SS(316)	AS-122-OS-SS6 (10)	-	-	N/A	N/A	N/A
G7120S2SS (316)	PS 150 EH 20 SS(316)	AS-122-OS-SS6 (20)	-	-	N/A	N/A	N/A
G712L1SS (316)	PS 150 S 10 SS(316)	AS-122-SL-SS6 (10)	-	-	N/A	N/A	N/A
G712L2SS (316)	PS 150 S 20 SS(316)	AS-122-SL-SS6 (20)	-	-	N/A	N/A	N/A
G712A1SS (316)	PS 150 2T3 10 SS(316)	AS-122A-SS6 (10)	-	-	N/A	N/A	N/A
G712A2SS (316)	PS 150 2T3 20 SS(316)	AS-122A-SS6 (20)	-	-	N/A	N/A	N/A
G712A0S1SS (316)	PS 150 2T3 EH 10 SS(316)	AS-122A-OS-SS6 (10)	-	-	N/A	N/A	N/A
G712A0S2SS (316)	PS 150 2T3 EH 20 SS(316)	AS-122A-OS-SS6 (20)	-	-	N/A	N/A	N/A
G712AK01SS (316)	N/A	AS-122-KO-SS6 (10)	-	-	N/A	N/A	N/A
G712AK02SS (316)	N/A	AS-122-KO-SS6 (20)	-	-	N/A	N/A	N/A

ALUMINUM EXTRUDED » G712 – 2 7/16" X 1 5/8"

G-STRUT®	POWER/ATKORE	PUPCO	SASCO	SUPERSTRUT/ ABB	UNISTRUT/ATKORE	VERSABAR/ZSI	WESANCO/ZSI
G7121AL (N/A)	PS 150 10 AL	AS-122-AL (10)	S1AL (10)	E1200 10AL	N/A	N/A	N/A
G7122AL (N/A)	PS 150 20 AL	AS-122-AL (20)	S1AL(316) (20)	E1200 20AL	N/A	N/A	N/A
G712H1AL (N/A)	PS 150 H 10 AL	AS-122-RS-AL (10)	S1H12AL (10)	N/A	N/A	N/A	N/A
G712H2AL (N/A)	PS 150 H 20 AL	AS-122-RS-AL (20)	S1H12AL (20)	N/A	N/A	N/A	N/A
G7120S1AL (N/A)	PS 150 EH 10 AL	AS-122-OS-AL (10)	S1SL2AL (10)	E1200-HS 10AL	N/A	N/A	N/A
G7120S2AL (N/A)	PS 150 EH 20 AL	AS-122-OS-AL (20)	S1SL2AL (20)	E1200-HS 20AL	N/A	N/A	N/A
G712L1AL (N/A)	PS 150 S 10 AL	AS-122-SL-AL (10)	S1SL4AL (10)	N/A	N/A	N/A	N/A
G712L2AL (N/A)	PS 150 S 20 AL	AS-122-SL-AL (20)	S1SL4AL (20)	N/A	N/A	N/A	N/A
G712A1AL (N/A)	PS 150 2T3 10 AL	AS-122A-AL (10)	S1BB-AL (10)	E1202 10AL	N/A	N/A	N/A
G712A2AL (N/A)	PS 150 2T3 20 AL	AS-122A-AL (20)	S1BB-AL (20)	E1202 20AL	N/A	N/A	N/A
G712A0S1AL (N/A)	PS 150 2T3 EH 10 AL	AS-122A-OS-AL (10)	-	E1202HS 10AL	N/A	N/A	N/A
G712A0S2AL (N/A)	PS 150 2T3 EH 20 AL	AS-122A-OS-AL (20)	-	E1202HS 20AL	N/A	N/A	N/A
G712AK01AL (N/A)	N/A	AS-122-KO-AL (10)	-	N/A	N/A	N/A	N/A
G712AK02AL (N/A)	N/A	AS-122-KO-AL (20)	-	N/A	N/A	N/A	N/A

HOT-DIPPED GALVANIZED » G712 – 2 7/16" X 1 5/8"

G-STRUT®	POWER/ATKORE	PUPCO	SASCO	SUPERSTRUT/ ABB	UNISTRUT/ATKORE	VERSABAR/ZSI	WESANCO/ZSI
G7121HDG	PS 150 10 HG	AS-122-HD (10)	S1HG (10)	E1200 10HDG	P5500 10HG	N/A	W-100 HDGAF (10)
G7122HDG	PS 150 20 HG	AS-122-HD (20)	S1HG (20)	E1200 20HDG	P5500 20HG	N/A	W-100 HDGAF (20)
G712H1HDG	PS 150 H 10 HG	AS-122-RS-HD (10)	S1H12HG (10)	N/A	P5500 HS 10HG	N/A	W-100-H HDGAF (10)
G712H2HDG	PS 150 H 20 HG	AS-122-RS-HD (20)	S1H12HG (20)	N/A	P5500 HS 20HG	N/A	W-100-H HDGAF (20)
G7120S1HDG	PS 150 EH 10 HG	AS-122-OS-HD (10)	S1SL2HG (10)	E1200HS 10HDG	P5500 T 10HG	N/A	W-100-SS HDGAF (10)
G7120S2HDG	PS 150 EH 20 HG	AS-122-OS-HD (20)	S1SL2HG (20)	E1200HS 20HDG	P5500 T 20HG	N/A	W-100-SS HDGAF (20)
G712L1HDG	PS 150 S 10 HG	AS-122-SL-HD (10)	S1SL4HG (10)	N/A	P5500 SL 10HG	N/A	W-100-SL HDGAF (10)
G712L2HDG	PS 150 S 20 HG	AS-122-SL-HD (20)	S1SL4HG (20)	N/A	P5500 SL 20HG	N/A	W-100-SL HDGAF (20)
G712A1HDG	PS 150 2T3 10 HG	AS-122A-HD (10)	S1BB-HG (10)	E1202 10HDG	P5501 10HG	N/A	W-101 HDGAF (10)
G712A2HDG	PS 150 2T3 20 HG	AS-122A-HD (20)	S1BB-HG (20)	E1202 20HDG	P5501 20HG	N/A	W-101 HDGAF (20)
G712A0S1HDG	PS 150 2T3 EH 10 HG	AS-122A-OS-HD (10)	-	E1202HS 10HDG	P5501T 10HG	N/A	W-101-SS HDGAF (10)
G712A0S2HDG	PS 150 2T3 EH 20 HG	AS-122A-OS-HD (20)	-	E1202HS 20HDG	P5501T 20HG	N/A	W-101-SS HDGAF (20)
G712AK01HDG	N/A	AS-122-KO-HD (10)	-	N/A	P5500 KO 10HG	N/A	W-101-KO HDGAF (10)
G712AK02HDG	N/A	AS-122-KO-HD (20)	-	N/A	P5500 KO 20HG	N/A	W-101-KO HDGAF (20)

PVC COATED » G712 – 2 7/16" X 1 5/8"

G-STRUT®	POWER/ATKORE	PUPCO	SASCO	SUPERSTRUT/ ABB	UNISTRUT/ATKORE	VERSABAR/ZSI	WESANCO/ZSI
G7121PVC	N/A	AS-122-PVC (10)	-	E1200 10PVC	N/A	N/A	-
G7122PVC	N/A	AS-122-PVC (20)	-	E1200 20PVC	N/A	N/A	-
G712H1PVC	N/A	AS-122-RS-PVC (10)	-	N/A	N/A	N/A	-
G712H2PVC	N/A	AS-122-RS-PVC (20)	-	N/A	N/A	N/A	-
G7120S1PVC	N/A	AS-122-OS-PVC (10)	-	E1200HS 10PVC	N/A	N/A	-
G7120S2PVC	N/A	AS-122-OS-PVC (20)	-	E1200HS 20PVC	N/A	N/A	-
G712L1PVC	N/A	AS-122-SL-PVC (10)	-	N/A	N/A	N/A	-
G712L2PVC	N/A	AS-122-SL-PVC (20)	-	N/A	N/A	N/A	-
G712A1PVC	N/A	AS-122A-PVC (10)	-	E1202 10PVC	N/A	N/A	-
G712A2PVC	N/A	AS-122A-PVC (20)	-	E1202 20PVC	N/A	N/A	-
G712A0S1PVC	N/A	AS-122A-OS-PVC (10)	-	E1202HS 10PVC	N/A	N/A	-
G712A0S2PVC	N/A	AS-122A-OS-PVC (20)	-	E1202HS 20PVC	N/A	N/A	-
G712AK01PVC	N/A	AS-122-KO-PVC (10)	-	N/A	N/A	N/A	-
G712AK02PVC	N/A	AS-122-KO-PVC (20)	-	N/A	N/A	N/A	-

STRUT INDUSTRY PRODUCT CODES » G582/G582A

1 5/8" X 1 5/8"

PRE-GALVANIZED » G582 - 1 5/8" X 1 5/8"

G-STRUT®	ANVIL	B-LINE/EATON	ELITE	ERICO/NVENT	FLEX-STRUT	FLORIDA/ZSI	HAYDON	PHD
G5821	AS 200-PG 10	B22 GALV 120	N/A	A121000PG	FS-200-PG-10	-	H-132 PG X 10	1001 PG (10)
G5822	AS 200-PG 20	B22 GALV 240	N/A	A122000PG	FS-200-PG-20	-	H-132 PG X 20	1002 PG (20)
G582H1	AS 200H-PG 10	B22 H178 GALV 120	N/A	-	FS-200-H-PG-10	FS12158-H-10-PRE-GALV	H-132-RS-PG X 10	1021 PG (10)
G582H2	AS 200H-PG 20	B22 H178 GALV 240	N/A	-	FS-200-H-PG-20	FS12158-H-10-PRE-GALV	H-132-RS-PG X 20	1022 PG (20)
G582OS1	AS 200EH-PG 10	B22 SH GALV 120	ES A12 UST001	A12HS1000PG	FS-200-SS-PG-10	FS12158-10-PRE-GALV	H-132-OS-PG X 10	1011 PG (10)
G582OS2	AS 200EH-PG 20	B22 SH GALV 240	ES A12 UST002	A12HS2000PG	FS-200-SS-PG-20	FS12158-20-PRE-GALV	H-132-OS-PG X 20	1012 PG (20)
G582LS1	AS 200S-PG 10	B22 S GALV 120	N/A	-	FS-200-SL-PG-10	-	H-132-OS3-PG X 10	1031 PG (10)
G582LS2	AS 200S-PG 20	B22 S GALV 240	N/A	-	FS-200-SL-PG-20	-	H-132-OS3-PG X 20	1032 PG (20)
G582A1	AS 200BTB-PG 10	B22A GALV 120	N/A	A12A1000PG	FS-201-PG-10	-	H-132-A-PG X 10	1001A PG (10)
G582A2	AS 200BTB-PG 20	B22A GALV 240	N/A	A12A2000PG	FS-201-PG-20	-	H-132-A-PG X 20	1002A PG (20)
G582AOS1	AS 200EH BTB-PG 10	B22A SHA GALV 120	N/A	A12AHS100PG	-	FS12158BB-10-PRE-GALV	-	1011A PG (10)
G582AOS2	AS 200EH BTB-PG 20	B22A SHA GALV 240	N/A	A12AHS200PG	-	FS12158BB-20-PRE-GALV	-	1012A PG (20)
G582KO1	AS 200KO-PG 10	B22 KO6 GALV 120	N/A	-	FS-200-KO-PG-10	-	H-132-KO-PG X 10	1041 PG (10)
G582KO2	AS 200KO-PG 20	B22 KO6 GALV 240	N/A	-	FS-200-KO-PG-20	-	H-132-KO-PG X 20	1042 PG (20)

GREEN » G582 - 1 5/8" X 1 5/8"

G-STRUT®	ANVIL	B-LINE/EATON	ELITE	ERICO/NVENT	FLEX-STRUT	FLORIDA/ZSI	HAYDON	PHD
G5821POP	AS 200-GR 10	B22 GRN 120	N/A	A121000GN	FS-200-GR-10	N/A	H-132-GR X 10	N/A
G5822POP	AS 200-GR 20	B22 GRN 240	N/A	A122000GN	FS-200-GR-20	N/A	H-132-GR X 20	N/A
G582H1POP	AS 200H-GR 10	B22 H178 GRN 120	N/A	-	FS-200-H-GR-10	N/A	H-132-RS-GR X 10	N/A
G582H2POP	AS 200H-GR 20	B22 H178 GRN 240	N/A	-	FS-200-H-GR-20	N/A	H-132-RS-GR X 20	N/A
G582OS1POP	AS 200EH-GR 10	B22 SH GRN 120	ES A12 UST003	A12HS1000GN	FS-200-SS-GR-10	N/A	H-132-OS-GR X 10	N/A
G582OS2POP	AS 200EH-GR 20	B22 SH GRN 240	ES A12 UST005	A12HS2000GN	FS-200-SS-GR-20	N/A	H-132-OS-GR X 20	N/A
G582LS1POP	AS 200S-GR 10	B22 S GRN 120	N/A	-	FS-200-SL-GR-10	N/A	H-132-OS3-GR X 10	N/A
G582LS2POP	AS 200S-GR 20	B22 S GRN 240	N/A	-	FS-200-SL-GR-20	N/A	H-132-OS3-GR X 20	N/A
G582A1POP	AS 200BTB-GR 10	B22A GRN 120	N/A	A12A1000GN	FS-201-GR-10	N/A	H-132-A-GR X 10	N/A
G582A2POP	AS 200BTB-GR 20	B22A GRN 240	N/A	A12A2000GN	FS-201-GR-20	N/A	H-132-A-GR X 20	N/A
G582AOS1POP	AS 200EH BTB-GR 10	B22A SHA GRN 120	N/A	A12AHS100GN	-	N/A	-	N/A
G582AOS2POP	AS 200EH BTB-GR 20	B22A SHA GRN 240	N/A	A12AHS200GN	-	N/A	-	N/A
G582KO1POP	AS 200KO-GR 10	B22 KO6 GRN 120	N/A	-	FS-200-KO-GR-10	N/A	H-132-KO-GR X 10	N/A
G582KO2POP	AS 200KO-GR 20	B22 KO6 GRN 240	N/A	-	FS-200-KO-GR-20	N/A	H-132-KO-GR X 20	N/A

YELLOW ZINC (GOLD) » G582 - 1 5/8" X 1 5/8"

G-STRUT®	ANVIL	B-LINE/EATON	ELITE	ERICO/NVENT	FLEX-STRUT	FLORIDA/ZSI	HAYDON	PHD
G5821YZ	-	-	N/A	-	N/A	N/A	-	N/A
G5822YZ	-	-	N/A	-	N/A	N/A	-	N/A
G582H1YZ	-	-	N/A	-	N/A	N/A	-	N/A
G582H2YZ	-	-	N/A	-	N/A	N/A	-	N/A
G582OS1YZ	-	-	N/A	A12HS1000CG	N/A	N/A	-	N/A
G582OS2YZ	-	-	N/A	A12HS2000CG	N/A	N/A	-	N/A
G582LS1YZ	-	-	N/A	-	N/A	N/A	-	N/A
G582LS2YZ	-	-	N/A	-	N/A	N/A	-	N/A
G582A1YZ	-	-	N/A	-	N/A	N/A	-	N/A
G582A2YZ	-	-	N/A	-	N/A	N/A	-	N/A
G582AOS1YZ	-	-	N/A	-	N/A	N/A	-	N/A
G582AOS2YZ	-	-	N/A	-	N/A	N/A	-	N/A
G582KO1YZ	-	-	N/A	-	N/A	N/A	-	N/A
G582KO2YZ	-	-	N/A	-	N/A	N/A	-	N/A

ALUMINUM EXTRUDED » G582 - 1 5/8" X 1 5/8"

G-STRUT®	ANVIL	B-LINE/EATON	ELITE	ERICO/NVENT	FLEX-STRUT	FLORIDA/ZSI	HAYDON	PHD
G5821AL	-	B22 AL 120	N/A	-	FS-200-AL-10	-	H-132-AL X 10	1001 AL (10)
G5822AL	-	B22 AL 240	N/A	-	FS-200-AL-20	-	H-132-AL X 20	1002 AL (20)
G582H1AL	-	B22 H178 AL 120	N/A	-	FS-200-H-AL-10	FS12158-H-10-ALUMINUM	H-132-RS-AL X 10	1021 AL (10)
G582H2AL	-	B22 H178 AL 240	N/A	-	FS-200-H-AL-20	FS12158-H-10-ALUMINUM	H-132-RS-AL X 20	1022 AL (20)
G582OS1AL	-	B22 SH AL 120	N/A	-	FS-200-SS-AL-10	FS12158-10-ALUMINUM	H-132-OS-AL X 10	1011 AL (10)
G582OS2AL	-	B22 SH AL 240	N/A	-	FS-200-SS-AL-20	FS12158-20-ALUMINUM	H-132-OS-AL X 20	1012 AL (20)
G582LS1AL	-	B22 S AL 120	N/A	-	FS-200-SL-AL-10	-	H-132-OS3-AL X 10	1031 AL (10)
G582LS2AL	-	B22 S AL 240	N/A	-	FS-200-SL-AL-20	-	H-132-OS3-AL X 20	1032 AL (20)
G582A1AL	-	B22A AL 120	N/A	-	FS-201-AL-10	-	H-132-A-AL X 10	1001A-AL (10)
G582A2AL	-	B22A AL 240	N/A	-	FS-201-AL-20	-	H-132-A-AL X 20	1002A-AL (20)
G582AOS1AL	-	B22A SHA AL 120	N/A	-	-	FS12158BB-10-ALUMINUM	-	1011A-AL (10)
G582AOS2AL	-	B22A SHA AL 240	N/A	-	-	FS12158BB-20-ALUMINUM	-	1012A-AL (20)
G582KO1AL	-	B22 KO6 AL 120	N/A	-	FS-200-KO-AL-10	-	H-132-KO-AL X 10	1041 AL (10)
G582KO2AL	-	B22 KO6 AL 240	N/A	-	FS-200-KO-AL-20	-	H-132-KO-AL X 20	1042 AL (20)

GALVANNEALED WIZCOAT™ » G582 - 1 5/8" X 1 5/8"

G-STRUT®	ANVIL	B-LINE/EATON	ELITE	ERICO/NVENT	FLEX-STRUT	FLORIDA/ZSI	HAYDON	PHD
G5821GN	N/A	N/A	N/A	N/A	N/A	N/A	N/A	N/A
G5822GN	N/A	N/A	N/A	N/A	N/A	N/A	N/A	N/A
G582H1GN	N/A	N/A	N/A	N/A	N/A	N/A	N/A	N/A
G582H2GN	N/A	N/A	N/A	N/A	N/A	N/A	N/A	N/A
G582OS1GN	N/A	N/A	N/A	N/A	N/A	N/A	N/A	N/A
G582OS2GN	N/A	N/A	N/A	N/A	N/A	N/A	N/A	N/A
G582LS1GN	N/A	N/A	N/A	N/A	N/A	N/A	N/A	N/A
G582LS2GN	N/A	N/A	N/A	N/A	N/A	N/A	N/A	N/A
G582A1GN	N/A	N/A	N/A	N/A	N/A	N/A	N/A	N/A
G582A2GN	N/A	N/A	N/A	N/A	N/A	N/A	N/A	N/A
G582AOS1GN	N/A	N/A	N/A	N/A	N/A	N/A	N/A	N/A
G582AOS2GN	N/A	N/A	N/A	N/A	N/A	N/A	N/A	N/A
G582KO1GN	N/A	N/A	N/A	N/A	N/A	N/A	N/A	N/A
G582KO2GN	N/A	N/A	N/A	N/A	N/A	N/A	N/A	N/A

STRUT INDUSTRY PRODUCT CODES » G582/G582A

1 5/8" X 1 5/8"

PRE-GALVANIZED » G582 – 1 5/8" X 1 5/8"

G-STRUT®	POWER/ATKORE	PUPCO	SASCO	SUPERSTRUT/ ABB	UNISTRUT/ATKORE	VERSABAR/ZSI	WESANCO/ZSI
G5821	PS 200 10 PG	AS-132-PG (10)	S2G (10)	A1200 10PG	P1000 10PG	VA-1 EG (10)	W-200 PRE-GALV (10)
G5822	PS 200 20 PG	AS-132-PG (20)	S2G (20)	A1200 20PG	P1000 20PG	VA-1 EG (20)	W-200 PRE-GALV (20)
G582H1	PS 200 H 10 PG	AS-132-RS-PG (10)	S2H112G (10)	A1200-H 10PG	P1000 HS 10PG	VA-1P1.87 EG (10)	W-200 H PRE-GALV(10)
G582H2	PS 200 H 20 PG	AS-132-RS-PG (20)	S2H112G (20)	A1200-H 20PG	P1000 HS 20PG	VA-1P1.87 EG (20)	W-200 H PRE-GALV (20)
G582OS1	PS 200 EH 10 PG	AS-132-OS-PG (10)	S2SL2G (10)	A1200-HS 10PG	P1000 T 10PG	VA-1PLH EG (10)	W-200 SS PRE-GALV (10)
G582OS2	PS 200 EH 20 PG	AS-132-OS-PG (20)	S2SL2G (20)	A1200-HS 20PG	P1000 T 20PG	VA-1PLH EG (20)	W-200 SS PRE-GALV (20)
G582LS1	PS 200 S 10 PG	AS-132-SL-PG (10)	S2SL4G (10)	A1200-S 10PG	P1000 SL 10PG	VA-1P3S EG (10)	W-200 SL PRE-GALV (10)
G582LS2	PS 200 S 20 PG	AS-132-SL-PG (20)	S2SL4G (20)	A1200-S 20PG	P1000 SL 20PG	VA-1P3S EG (20)	W-200 SL PRE-GALV (20)
G582A1	PS 200 2T3 10 PG	AS-132A-PG (10)	S2BBG (10)	A1202 10PG	P1001 10PG	VA-1201 EG (10)	W-201 PRE-GALV (10)
G582A2	PS 200 2T3 20 PG	AS-132A-PG (20)	S2BBG (20)	A1202 20PG	P1001 20PG	VA-1201 EG (20)	W-201 PRE-GALV (20)
G582AOS1	N/A	AS-132A-OS-PG (10)	-	A1200-HS 10PG	P1001T 10PG	VA-1201PLH EG (10)	W-201 SS PRE-GALV (10)
G582AOS2	N/A	AS-132A-OS-PG (20)	-	A1200-HS 20PG	P1001T 20PG	VA-1201PLH EG (20)	W-201 SS PRE-GALV (20)
G582KO1	PS 200 KO6 10 PG	AS-132-KO-PG (10)	S2KO6G (10)	A1200-KO 10PG	P1000 KO 10PG	VA-1KO6 EG (10)	W-200 KO PRE-GALV (10)
G582KO2	PS 200 KO6 20 PG	AS-132-KO-PG (20)	S2KO6G (20)	A1200-KO 20PG	P1000 KO 20PG	VA-1KO6 EG (20)	W-200 KO PRE-GALV (20)

GREEN » G582 – 1 5/8" X 1 5/8"

G-STRUT®	POWER/ATKORE	PUPCO	SASCO	SUPERSTRUT/ ABB	UNISTRUT/ATKORE	VERSABAR/ZSI	WESANCO/ZSI
G5821POP	PS 200 10 GR	AS-132-GR (10)	-	A1200 10GR	P1000 10GR	N/A	W-200 GREEN (10)
G5822POP	PS 200 20 GR	AS-132-GR (20)	-	A1200 20GR	P1000 20GR	N/A	W-200 GREEN (20)
G582H1POP	PS 200 H 10 GR	AS-132-RS-GR (10)	-	A1200-H 10GR	P1000 HS 10GR	N/A	W-200-H GREEN (10)
G582H2POP	PS 200 H 20 GR	AS-132-RS-GR (20)	-	A1200-H 20GR	P1000 HS 20GR	N/A	W-200-H GREEN (20)
G582OS1POP	PS 200 EH 10 GR	AS-132-OS-GR (10)	-	A1200-HS 10GR	P1000 T 10GR	N/A	W-200-SS GREEN (10)
G582OS2POP	PS 200 EH 20 GR	AS-132-OS-GR (20)	-	A1200-HS 20GR	P1000 T 20GR	N/A	W-200-SS GREEN (20)
G582LS1POP	PS 200 S 10 GR	AS-132-SL-GR (10)	-	A1200-S 10GR	P1000 SL 10GR	N/A	W-200-SL GREEN (10)
G582LS2POP	PS 200 S 20 GR	AS-132-SL-GR (20)	-	A1200-S 20GR	P1000 SL 20GR	N/A	W-200-SL GREEN(20)
G582A1POP	PS 200 2T3 10 GR	AS-132A-GR (10)	-	A1202 10GR	P1001 10GR	N/A	W-201 GREEN (10)
G582A2POP	PS 200 2T3 20 GR	AS-132A-GR (20)	-	A1202 20GR	P1001 20GR	N/A	W-201 GREEN (20)
G582AOS1POP	N/A	AS-132A-OS-GR (10)	-	A1202-HS 10GR	P1001T 10GR	N/A	W-201 SS GREEN (10)
G582AOS2POP	N/A	AS-132A-OS-GR (20)	-	A1202-HS 20	P1001T 20GR	N/A	W-201-SS GREEN (20)
G582KO1POP	PS 200 KO6 10 GR	AS-132-KO-GR (10)	-	A1200-KO 10	N/A	N/A	W-200-KO GREEN (10)
G582KO2POP	PS 200 KO6 20 GR	AS-132-KO-GR (20)	-	A1200-KO 20	N/A	N/A	W-200-KO GREEN (20)

YELLOW ZINC (GOLD) » G582 – 1 5/8" X 1 5/8"

G-STRUT®	POWER/ATKORE	PUPCO	SASCO	SUPERSTRUT/ ABB	UNISTRUT/ATKORE	VERSABAR/ZSI	WESANCO/ZSI
G5821YZ	N/A	AS-132-GD (10)	-	-	N/A	N/A	-
G5822YZ	N/A	AS-132-GD (20)	-	-	N/A	N/A	-
G582H1YZ	N/A	AS-132-RS-GD (10)	-	-	N/A	N/A	-
G582H2YZ	N/A	AS-132-RS-GD (20)	-	-	N/A	N/A	-
G582OS1YZ	N/A	AS-132-OS-GD (10)	-	-	N/A	N/A	-
G582OS2YZ	N/A	AS-132-OS-GD (20)	-	-	N/A	N/A	-
G582LS1YZ	N/A	AS-132-SL-GD (10)	-	-	N/A	N/A	-
G582LS2YZ	N/A	AS-132-SL-GD (20)	-	-	N/A	N/A	-
G582A1YZ	N/A	AS-132A-GD (10)	-	-	N/A	N/A	-
G582A2YZ	N/A	AS-132A-GD (20)	-	-	N/A	N/A	-
G582AOS1YZ	N/A	AS-132A-OS-GD (10)	-	-	N/A	N/A	-
G582AOS2YZ	N/A	AS-132A-OS-GD (20)	-	-	N/A	N/A	-
G582KO1YZ	N/A	AS-132-KO-GD (10)	-	-	N/A	N/A	-
G582KO2YZ	N/A	AS-132-KO-GD (20)	-	-	N/A	N/A	-

ALUMINUM EXTRUDED » G582 – 1 5/8" X 1 5/8"

G-STRUT®	POWER/ATKORE	PUPCO	SASCO	SUPERSTRUT/ ABB	UNISTRUT/ATKORE	VERSABAR/ZSI	WESANCO/ZSI
G5821AL	PS 200 10 AL	AS-132-AL (10)	S2AL (10)	A1200 10AL	N/A	N/A	N/A
G5822AL	PS 200 20 AL	AS-132-AL (20)	S2AL (20)	A1200 20AL	N/A	N/A	N/A
G582H1AL	PS 200 H 10 AL	AS-132-RS-AL (10)	S2H112AL (10)	A1200-H 10AL	N/A	N/A	N/A
G582H2AL	PS 200 H 20 AL	AS-132-RS-AL (20)	S2H112AL (20)	A1200-H 20AL	N/A	N/A	N/A
G582OS1AL	PS 200 EH 10 AL	AS-132-OS-AL (10)	S2SL2AL (10)	A1200-HS 10AL	N/A	N/A	N/A
G582OS2AL	PS 200 EH 20 AL	AS-132-OS-AL (20)	S2SL2AL (20)	A1200-HS 20AL	N/A	N/A	N/A
G582LS1AL	PS 200 S 10 AL	AS-132-SL-AL (10)	S2SL4AL (10)	A1200-S 10AL	N/A	N/A	N/A
G582LS2AL	PS 200 S 20 AL	AS-132-SL-AL (20)	S2SL4AL (20)	A1200-S 20AL	N/A	N/A	N/A
G582A1AL	PS 200 2T3 10 AL	AS-132A-AL (10)	S2BB-AL (10)	A1202 10AL	N/A	N/A	N/A
G582A2AL	PS 200 2T3 20 AL	AS-132A-AL (20)	S2BB-AL (20)	A1202 20AL	N/A	N/A	N/A
G582AOS1AL	N/A	AS-132A-OS-AL (10)	-	A1202-HS 10AL	N/A	N/A	N/A
G582AOS2AL	N/A	AS-132A-OS-AL (20)	-	A1202-HS 20AL	N/A	N/A	N/A
G582KO1AL	PS 200 KO6 10 AL	AS-132-KO-AL (10)	S2KO6AL (10)	A1200-KO 10AL	N/A	N/A	N/A
G582KO2AL	PS 200 KO6 20 AL	AS-132-KO-AL (20)	S2KO6AL (20)	A1200-KO 20AL	N/A	N/A	N/A

GALVANNEALED WIZCOAT™ » G582 – 1 5/8" X 1 5/8"

G-STRUT®	POWER/ATKORE	PUPCO	SASCO	SUPERSTRUT/ ABB	UNISTRUT/ATKORE	VERSABAR/ZSI	WESANCO/ZSI
G5821GN	N/A	N/A	N/A	N/A	N/A	N/A	N/A
G5822GN	N/A	N/A	N/A	N/A	N/A	N/A	N/A
G582H1GN	N/A	N/A	N/A	N/A	N/A	N/A	N/A
G582H2GN	N/A	N/A	N/A	N/A	N/A	N/A	N/A
G582OS1GN	N/A	N/A	N/A	N/A	N/A	N/A	N/A
G582OS2GN	N/A	N/A	N/A	N/A	N/A	N/A	N/A
G582LS1GN	N/A	N/A	N/A	N/A	N/A	N/A	N/A
G582LS2GN	N/A	N/A	N/A	N/A	N/A	N/A	N/A
G582A1GN	N/A	N/A	N/A	N/A	N/A	N/A	N/A
G582A2GN	N/A	N/A	N/A	N/A	N/A	N/A	N/A
G582AOS1GN	N/A	N/A	N/A	N/A	N/A	N/A	N/A
G582AOS2GN	N/A	N/A	N/A	N/A	N/A	N/A	N/A
G582KO1GN	N/A	N/A	N/A	N/A	N/A	N/A	N/A
G582KO2GN	N/A	N/A	N/A	N/A	N/A	N/A	N/A

STRUT INDUSTRY PRODUCT CODES » G582/G582A

1 5/8" X 1 5/8"

PLAIN » G582 - 1 5/8" X 1 5/8"

	G-STRUT®	ANVIL	B-LINE/EATON	ELITE	ERICO/NVENT	FLEX-STRUT	FLORIDA/ZSI	HAYDON	PHD
	G5821PO	AS 200-PL 10	B22 PLN 120	N/A	A121000PL	FS-200-PL-10	-	H-132-PL X 10	1001 PL (10)
	G5822PO	AS 200-PL 20	B22 PLN 240	N/A	A122000PL	FS-200-PL-20	-	H-132-PL X 20	1002 PL (20)
	G582H1PO	AS 200H-PL 10	B22 H178 PLN 120	-	-	FS-200-H-PL-10	FS12158-H-10-PLAIN	H-132-RS-PL X 10	1021 PL (10)
	G582H2PO	AS 200H-PL 20	B22 H178 PLN 240	-	-	FS-200-H-PL-20	FS12158-H-10-PLAIN	H-132-RS-PL X 20	1022 PL (20)
	G582O51PO	AS 200EH-PL 10	B22 SH PLN 120	-	-	FS-200-SS-PL-10	FS12158-10-PLAIN	H-132-O5-PL X 10	1011 PL (10)
	G582O52PO	AS 200EH-PL 20	B22 SH PLN 240	-	-	FS-200-SS-PL-20	FS12158-20-PLAIN	H-132-O5-PL X 20	1012 PL (20)
	G582LS1PO	AS 200S-PL 10	B22 S PLN 120	-	-	FS-200-SL-PL-10	-	H-132-O53-PL X 10	1031 PL (10)
	G582LS2PO	AS 200S-PL 20	B22 S PLN 240	-	-	FS-200-SL-PL-20	-	H-132-O53-PL X 20	1032 PL (20)
	G582A1PO	AS 200BTB-PL 10	B22A PLN 120	-	-	FS-201-PL-10	-	H-132-A-PL X 10	1001A PL (10)
	G582A2PO	AS 200BTB-PL 20	B22A PLN 240	-	-	FS-201-PL-20	-	H-132-A-PL X 20	1002A PL (20)
	G582AOS1PO	AS 200EBTB-PL 10	B22A SHA PLN 120	-	-	-	FS12158BB-10-PLAIN	-	1011A PL (10)
	G582AOS2PO	AS 200EBTB-PL 20	B22A SHA PLN 240	-	-	-	FS12158BB-20-PLAIN	-	1012A PL (20)
	G582KO1PO	AS 200KO-PL 10	B22 KO6 PLN 120	-	-	FS-200-KO-PL-10	-	H-132-KO-PL X 10	1041 PL (10)
	G582KO2PO	AS 200KO-PL 20	B22 KO6 PLN 240	-	-	FS-200-KO-PL-20	-	H-132-KO-PL X 20	1042 PL (20)

HOT-DIPPED GALVANIZED » G582 - 1 5/8" X 1 5/8"

	G-STRUT®	ANVIL	B-LINE/EATON	ELITE	ERICO/NVENT	FLEX-STRUT	FLORIDA/ZSI	HAYDON	PHD
	G5821HDG	-	B22 HDG 120	N/A	-	FS-200-HD-10	-	H-132-HDG X 10	1001 HD (10)
	G5822HDG	-	B22 HDG 240	N/A	-	FS-200-HD-20	-	H-132-HDG X 20	1002 HD (20)
	G582H1HDG	-	B22 H178 HDG 120	N/A	-	FS-200-H-HD-10	FS12158-10-H-HD	H-132-RS-HDG X 10	1021 HD (10)
	G582H2HDG	-	B22 H178 HDG 240	N/A	-	FS-200-H-HD-20	FS12158-20-H-HD	H-132-RS-HDG X 20	1022 HD (20)
	G582O51HDG	-	B22 SH HDG 120	N/A	-	FS-200-SS-HD-10	FS12158-10-HD	H-132-O5-HDG X 10	1011 HD (10)
	G582O52HDG	-	B22 SH HDG 240	N/A	-	FS-200-SS-HD-20	FS12158-20-HD	H-132-O5-HDG X 20	1012 HD (20)
	G582LS1HDG	-	B22 S HDG 120	N/A	-	FS-200-SL-HD-10	-	H-132-O53-HDG X 10	1031 HD (10)
	G582LS2HDG	-	B22 S HDG 240	N/A	-	FS-200-SL-HD-20	-	H-132-O53-HDG X 20	1032 HD (20)
	G582A1HDG	-	B22A HDG 120	N/A	-	FS-201-HD-10	-	H-132-A-HDG X 10	1001A HD (10)
	G582A2HDG	-	B22A HDG 240	N/A	-	FS-201-HD-20	-	H-132-A-HDG X 20	1002A HD (20)
	G582AOS1HDG	-	B22A SHA HDG 120	N/A	-	-	FS12158BB-10-HD	-	1011A HD (10)
	G582AOS2HDG	-	B22A SHA HDG 240	N/A	-	-	FS12158BB-20-HD	-	1012A HD (20)
	G582KO1HDG	-	B22 KO6 HDG 120	N/A	-	FS-200-KO-HD-10	-	H-132-KO-HDG X 10	1041 HD (10)
	G582KO2HDG	-	B22 KO6 HDG 240	N/A	-	FS-200-KO-HD-20	-	H-132-KO-HDG X 20	1042 HD (20)

STAINLESS STEEL (GRADE 304) » G582 - 1 5/8" X 1 5/8"

	G-STRUT®	ANVIL	B-LINE/EATON	ELITE	ERICO/NVENT	FLEX-STRUT	FLORIDA/ZSI	HAYDON	PHD
	G5821SS	-	B22 SS4 120	N/A	-	FS-200-ST4-10	-	H-132-SS X 10	1001 SS304 (10)
	G5822SS	-	B22 SS4 240	N/A	-	FS-200-ST4-20	-	H-132-SS X 20	1002 SS304 (10)
	G582H1SS	-	B22 H178 SS4 120	N/A	-	FS-200-H-ST4-10	FS12158-10-H-SS	H-132-RS-SS X 10	1021 SS304 (10)
	G582H2SS	-	B22 H178 SS4 240	N/A	-	FS-200-H-ST4-20	FS12158-20-H-SS	H-132-RS-SS X 20	1022 SS304 (10)
	G582O51SS	-	B22 SH SS4 120	N/A	A12HS1000S4	FS-200-SS-ST4-10	FS12158-10-SS	H-132-O5-SS X 10	1011 SS304 (10)
	G582O52SS	-	B22 SH SS4 240	N/A	A12HS2000S4	FS-200-SS-ST4-20	FS12158-20-SS	H-132-O5-SS X 20	1012 SS304 (10)
	G582LS1SS	-	B22 S SS4 120	N/A	-	FS-200-SL-ST4-10	-	H-132-O53-SS X 10	1031 SS304 (10)
	G582LS2SS	-	B22 S SS4 240	N/A	-	FS-200-SL-ST4-20	-	H-132-O53-SS X 20	1032 SS304 (10)
	G582A1SS	-	B22A SS4 120	N/A	-	FS-201-ST4-10	-	H-132-A-SS X 10	1001A SS304 (10)
	G582A2SS	-	B22A SS4 240	N/A	-	FS-201-ST4-20	-	H-132-A-SS X 20	1002A SS304 (10)
	G582AOS1SS	-	B22A SHA SS4 120	N/A	-	-	FS12158BB-10-SS	-	1011A SS304 (10)
	G582AOS2SS	-	B22A SHA SS4 240	N/A	-	-	FS12158BB-20-SS	-	1012A SS304 (10)
	G582KO1SS	-	B22 KO6 SS4 120	N/A	-	FS-200-KO-ST4-10	-	H-132-KO-SS X 10	1041 SS304 (10)
	G582KO2SS	-	B22 KO6 SS4 240	N/A	-	FS-200-KO-ST4-20	-	H-132-KO-SS X 20	1042 SS304 (10)

STAINLESS STEEL (GRADE 316) » G582 - 1 5/8" X 1 5/8"

	G-STRUT®	ANVIL	B-LINE/EATON	ELITE	ERICO/NVENT	FLEX-STRUT	FLORIDA/ZSI	HAYDON	PHD
	G5821SS(316)	-	B22 SS6 120	N/A	-	FS-200-ST6-10	-	H-132-SS(316) X 10	1001 SS316 (10)
	G5822SS(316)	-	B22 SS6 240	N/A	-	FS-200-ST6-20	-	H-132-SS(316) X 20	1002 SS316 (20)
	G582H1SS(316)	-	B22 H178 SS6 120	N/A	-	FS-200-H-ST6-10	FS12158-10-H-SS(316)	H-132-RS-SS(316) X 10	1021 SS316 (10)
	G582H2SS(316)	-	B22 H178 SS6 240	N/A	-	FS-200-H-ST6-20	FS12158-20-H-SS(316)	H-132-RS-SS(316) X 20	1022 SS316 (20)
	G582O51SS(316)	-	B22 SH SS6 120	N/A	-	FS-200-SS-ST6-10	FS12158-10-SS(316)	H-132-O5-SS(316) X 10	1011 SS316 (10)
	G582O52SS(316)	-	B22 SH SS6 240	N/A	-	FS-200-SS-ST6-20	FS12158-20-SS(316)	H-132-O5-SS(316) X 20	1012 SS316 (20)
	G582LS1SS(316)	-	B22 S SS6 120	N/A	-	FS-200-SL-ST6-10	-	H-132-O53-SS(316) X 10	1031 SS316 (10)
	G582LS2SS(316)	-	B22 S SS6 240	N/A	-	FS-200-SL-ST6-20	-	H-132-O53-SS(316) X 20	1032 SS316 (20)
	G582A1SS(316)	-	B22A SS6 120	N/A	-	FS-201-ST6-10	-	H-132-A-SS(316) X 10	1001A SS316 (10)
	G582A2SS(316)	-	B22A SS6 240	N/A	-	FS-201-ST6-20	-	H-132-A-SS(316) X 20	1002A SS316 (20)
	G582AOS1(316)	-	B22A SHA SS6 120	N/A	-	-	FS12158BB-10SS(316)	-	1011A SS316 (10)
	G582AOS2(316)	-	B22A SHA SS6 240	N/A	-	-	FS12158BB-20-SS(316)	-	1012A SS316 (20)
	G582KO1SS(316)	-	B22 KO6 SS6 120	N/A	-	FS-200-KO-ST6-10	-	H-132-KO-SS(316) X 10	1041 SS316 (10)
	G582KO2SS(316)	-	B22 KO6 SS6 240	N/A	-	FS-200-KO-ST6-20	-	H-132-KO-SS(316) X 20	1042 SS316 (20)

PVC COATED » G582 - 1 5/8" X 1 5/8"

	G-STRUT®	ANVIL	B-LINE/EATON	ELITE	ERICO/NVENT	FLEX-STRUT	FLORIDA/ZSI	HAYDON	PHD
	G5821PVC	-	N/A	N/A	-	N/A	N/A	-	N/A
	G5822PVC	-	N/A	N/A	-	N/A	N/A	-	N/A
	G582H1PVC	-	N/A	N/A	-	N/A	N/A	-	N/A
	G582H2PVC	-	N/A	N/A	-	N/A	N/A	-	N/A
	G582O51PVC	-	N/A	N/A	-	N/A	N/A	-	N/A
	G582O52PVC	-	N/A	N/A	-	N/A	N/A	-	N/A
	G582LS1PVC	-	N/A	N/A	-	N/A	N/A	-	N/A
	G582LS2PVC	-	N/A	N/A	-	N/A	N/A	-	N/A
	G582A1PVC	-	N/A	N/A	-	N/A	N/A	-	N/A
	G582A2PVC	-	N/A	N/A	-	N/A	N/A	-	N/A
	G582AOS1PVC	-	N/A	N/A	-	N/A	N/A	-	N/A
	G582AOS2PVC	-	N/A	N/A	-	N/A	N/A	-	N/A
	G582KO1PVC	-	N/A	N/A	-	N/A	N/A	-	N/A
	G582KO2PVC	-	N/A	N/A	-	N/A	N/A	-	N/A

CROSS REFERENCE CHARTS

STRUT INDUSTRY PRODUCT CODES » G582/G582A

1 5/8" X 1 5/8"

PLAIN » G582 – 1 5/8" X 1 5/8"

G-STRUT®	POWER/ATKORE	PUPCO	SASCO	SUPERSTRUT/ ABB	UNISTRUT/ATKORE	VERSABAR/ZSI	WESANCO/ZSI
G5821PO	PS 200 10 PL	AS-132-BK (10)	S2P (10)	A1200 10B	P1000 10PL	N/A	W-200 PLAIN (10)
G5822PO	PS 200 20 PL	AS-132-BK (20)	S2P (20)	A1200 20B	P1000 20PL	N/A	W-200 PLAIN (20)
G582H1PO	PS 200 H 10 PL	AS-132-RS-BK (10)	S2H112P (10)	A1200-H 10B	P1000 HS 10PL	N/A	W-200-H-PLAIN (10)
G582H2PO	PS 200 H 20 PL	AS-132-RS-BK (20)	S2H112P (20)	A1200-H 20B	P1000 HS 20PL	N/A	W-200-H-PLAIN (20)
G582O51PO	PS 200 EH 10 PL	AS-132-OS-BK (10)	S2S12P (10)	A1200-HS 10B	P1000 T 10PL	N/A	W-200-SS PLAIN (10)
G582O52PO	PS 200 EH 20 PL	AS-132-OS-BK (20)	S2S12P (20)	A1200-HS 20B	P1000 T 20PL	N/A	W-200-SS PLAIN (20)
G582L51PO	PS 200 S 10 PL	AS-132-SL-BK (10)	S2S14P (10)	A1200-S 10B	P1000 SL 10PL	N/A	W-200-SL PLAIN (10)
G582L52PO	PS 200 S 20 PL	AS-132-SL-BK (20)	S2S14P (20)	A1200-S 20B	P1000 SL 20PL	N/A	W-200-SL PLAIN (20)
G582A1PO	PS 200 2T3 10 PL	AS-132A-BK (10)	S2BB-P (10)	A1202 10B	P1001 10PL	N/A	W-201 PLAIN (10)
G582A2PO	PS 200 2T3 20 PL	AS-132A-BK (20)	S2BB-P (20)	A1202 20B	P1001 20PL	N/A	W-201 PLAIN (20)
G582AOS1PO	N/A	AS-132A-OS-BK (10)	-	A1202-HS 10B	P1001T 10PL	N/A	W-201-SS PLAIN (10)
G582AOS2PO	N/A	AS-132A-OS-BK (20)	-	A1202-HS 20B	P1001T 20PL	N/A	W-201-SS PLAIN (20)
G582KO1PO	PS 200 KO6 10 PL	AS-132-KO-BK (10)	S2KO6P (10)	A1200-KO 10B	P100KO 10PL	N/A	W-200-KO PLAIN (10)
G582KO2PO	PS 200 KO6 20 PL	AS-132-KO-BK (20)	S2KO6P (20)	A1200-KO 20B	P100KO 20PL	N/A	W-200-KO PLAIN (20)

HOT-DIPPED GALVANIZED » G582 – 1 5/8" X 1 5/8"

G-STRUT®	POWER/ATKORE	PUPCO	SASCO	SUPERSTRUT/ ABB	UNISTRUT/ATKORE	VERSABAR/ZSI	WESANCO/ZSI
G5821HDG	PS 200 10 HG	AS-132-HD (10)	S2HG (10)	A1200 10HDG	P1000 10HG	N/A	W-200 HDGAF (10)
G5822HDG	PS 200 20 HG	AS-132-HD (20)	S2HG (20)	A1200 20HDG	P1000 20HG	N/A	W-200 HDGAF (20)
G582H1HDG	PS 200 H 10 HG	AS-132-RS-HD (10)	S2H112HG (10)	A1200-H 10HDG	P1000 HS 10HG	N/A	W-200-H-HDGAF (10)
G582H2HDG	PS 200 H 20 HG	AS-132-RS-HD (20)	S2H112HG (20)	A1200-H 20HDG	P1000 HS 20HG	N/A	W-200-H-HDGAF (20)
G582O51HDG	PS 200 EH 10 HG	AS-132-OS-HD (10)	S2S12HG (10)	A1200-HS 10HDG	P1000 T 10HG	N/A	W-200-SS HDGAF (10)
G582O52HDG	PS 200 EH 20 HG	AS-132-OS-HD (20)	S2S12HG (20)	A1200-HS 20HDG	P1000 T 20HG	N/A	W-200-SS HDGAF (20)
G582L51HDG	PS 200 S 10 HG	AS-132-SL-HD (10)	S2S14HG (10)	A1200-S 10HDG	P1000 SL 10HG	N/A	W-200-SL HDGAF (10)
G582L52HDG	PS 200 S 20 HG	AS-132-SL-HD (20)	S2S14HG (20)	A1200-S 20HDG	P1000 SL 20HG	N/A	W-200-SL HDGAF (20)
G582A1HDG	PS 200 2T3 10 HG	AS-132A-HD (10)	S2BB-HG (10)	A1202 10HDG	P1001 10HG	N/A	W-201 HDGAF (10)
G582A2HDG	PS 200 2T3 20 HG	AS-132A-HD (20)	S2BB-HG (20)	A1202 20HDG	P1001 20HG	N/A	W-201 HDGAF (20)
G582AOS1HDG	N/A	AS-132A-OS-HD (10)	-	A1202-HS 10HDG	P1001T 10HG	N/A	W-201-SS HDGAF (10)
G582AOS2HDG	N/A	AS-132A-OS-HD (20)	-	A1202-HS 20HDG	P1001T 20HG	N/A	W-201-SS HDGAF (20)
G582KO1HDG	PS 200 KO6 10 HG	AS-132-KO-HD (10)	S2KO6HG (10)	A1200-KO 10HDG	P1000KO 10HG	N/A	W-200-KO HDGAF (10)
G582KO2HDG	PS 200 KO6 20 HG	AS-132-KO-HD (20)	S2KO6HG (20)	A1200-KO 20HDG	P1000KO 20HG	N/A	W-200-KO HDGAF (20)

STAINLESS STEEL (GRADE 304) » G582 – 1 5/8" X 1 5/8"

G-STRUT®	POWER/ATKORE	PUPCO	SASCO	SUPERSTRUT/ ABB	UNISTRUT/ATKORE	VERSABAR/ZSI	WESANCO/ZSI
G5821SS	PS 200 10 SS	AS-132-SS4 (10)	-	-	N/A	N/A	N/A
G5822SS	PS 200 20 SS	AS-132-SS4 (20)	-	-	N/A	N/A	N/A
G582H1SS	PS 200 H 10 SS	AS-132-RS-SS4 (10)	-	-	N/A	N/A	N/A
G582H2SS	PS 200 H 20 SS	AS-132-RS-SS4 (20)	-	-	N/A	N/A	N/A
G582O51SS	PS 200 EH 10 SS	AS-132-OS-SS4 (10)	-	-	N/A	N/A	N/A
G582O52SS	PS 200 EH 20 SS	AS-132-OS-SS4 (20)	-	-	N/A	N/A	N/A
G582L51SS	PS 200 S 10 SS	AS-132-SL-SS4 (10)	-	-	N/A	N/A	N/A
G582L52SS	PS 200 S 20 SS	AS-132-SL-SS4 (20)	-	-	N/A	N/A	N/A
G582A1SS	PS 200 2T3 10 SS	AS-132A-SS4 (10)	-	-	N/A	N/A	N/A
G582A2SS	PS 200 2T3 20 SS	AS-132A-SS4 (20)	-	-	N/A	N/A	N/A
G582AOS1SS	N/A	AS-132A-OS-SS4 (10)	-	-	N/A	N/A	N/A
G582AOS2SS	N/A	AS-132A-OS-SS4 (20)	-	-	N/A	N/A	N/A
G582KO1SS	PS 200 KO6 10 SS	AS-132-KO-SS4 (10)	-	-	N/A	N/A	N/A
G582KO2SS	PS 200 KO6 20 SS	AS-132-KO-SS4 (20)	-	-	N/A	N/A	N/A

STAINLESS STEEL (GRADE 316) » G582 – 1 5/8" X 1 5/8"

G-STRUT®	POWER/ATKORE	PUPCO	SASCO	SUPERSTRUT/ ABB	UNISTRUT/ATKORE	VERSABAR/ZSI	WESANCO/ZSI
G5821SS(316)	PS 200 10 SS(316)	AS-132-SS6 (10)	-	-	N/A	N/A	N/A
G5822SS(316)	PS 200 20 SS(316)	AS-132-SS6 (20)	-	-	N/A	N/A	N/A
G582H1SS(316)	PS 200 H 10 SS(316)	AS-132-RS-SS6 (10)	-	-	N/A	N/A	N/A
G582H2SS(316)	PS 200 H 20 SS(316)	AS-132-RS-SS6 (20)	-	-	N/A	N/A	N/A
G582O51SS(316)	PS 200 EH 10 SS(316)	AS-132-OS-SS6 (10)	-	-	N/A	N/A	N/A
G582O52SS(316)	PS 200 EH 20 SS(316)	AS-132-OS-SS6 (20)	-	-	N/A	N/A	N/A
G582L51SS(316)	PS 200 S 10 SS(316)	AS-132-SL-SS6 (10)	-	-	N/A	N/A	N/A
G582L52SS(316)	PS 200 S 20 SS(316)	AS-132-SL-SS6 (20)	-	-	N/A	N/A	N/A
G582A1SS(316)	PS 200 2T3 10 SS(316)	AS-132A-SS6 (10)	-	-	N/A	N/A	N/A
G582A2SS(316)	PS 200 2T3 20 SS(316)	AS-132A-SS6 (20)	-	-	N/A	N/A	N/A
G582AOS1(316)	N/A	AS-132A-OS-SS6 (10)	-	-	N/A	N/A	N/A
G582AOS2(316)	N/A	AS-132A-OS-SS6 (20)	-	-	N/A	N/A	N/A
G582KO1SS(316)	PS 200 KO6 10 SS(316)	AS-132-KO-SS6 (10)	-	-	N/A	N/A	N/A
G582KO2SS(316)	PS 200 KO6 20 SS(316)	AS-132-KO-SS6 (20)	-	-	N/A	N/A	N/A

PVC COATED » G582 – 1 5/8" X 1 5/8"

G-STRUT®	POWER/ATKORE	PUPCO	SASCO	SUPERSTRUT/ ABB	UNISTRUT/ATKORE	VERSABAR/ZSI	WESANCO/ZSI
G5821PVC	N/A	AS-132-PVC (10)	-	A1200 10PVC	N/A	N/A	-
G5822PVC	N/A	AS-132-PVC (20)	-	A1200 20PVC	N/A	N/A	-
G582H1PVC	N/A	AS-132-RS-PVC (10)	-	A1200H 10PVC	N/A	N/A	-
G582H2PVC	N/A	AS-132-RS-PVC (20)	-	A1200H 20PVC	N/A	N/A	-
G582O51PVC	N/A	AS-132-OS-PVC (10)	-	A1200HS 10PVC	N/A	N/A	-
G582O52PVC	N/A	AS-132-OS-PVC (20)	-	A1200HS 20PVC	N/A	N/A	-
G582L51PVC	N/A	AS-132-SL-PVC (10)	-	A1200LS 10PVC	N/A	N/A	-
G582L52PVC	N/A	AS-132-SL-PVC (20)	-	A1200LS 20PVC	N/A	N/A	-
G582A1PVC	N/A	AS-132A-PVC (10)	-	A1202 10PVC	N/A	N/A	-
G582A2PVC	N/A	AS-132A-PVC (20)	-	A1202 20PVC	N/A	N/A	-
G582AOS1PVC	N/A	AS-132A-OS-PVC (10)	-	A1202HS 10PVC	N/A	N/A	-
G582AOS2PVC	N/A	AS-132A-OS-PVC (20)	-	A1202HS 20PVC	N/A	N/A	-
G582KO1PVC	N/A	AS-132-KO-PVC (10)	-	A1200KO 10PVC	N/A	N/A	-
G582KO2PVC	N/A	AS-132-KO-PVC (20)	-	A1200KO 20PVC	N/A	N/A	-

STRUT INDUSTRY PRODUCT CODES » G584/G584A

1 5/8" X 1 5/8"

PRE-GALVANIZED » G584 - 1 5/8" X 1 5/8"

G-STRUT®	ANVIL	B-LINE/EATON	ELITE	ERICO/NVENT	FLEX-STRUT	FLORIDA/ZSI	HAYDON	PHD
G5841	AS 210-PG 10	B24 GALV 120	N/A	A14PG10	FS-210-PG-10	-	H-134-PG X 10	1101 PG (20)
G5842	AS 210-PG 20	B24 GALV 240	N/A	A14PG20	FS-210-PG-20	-	H-134-PG X 20	1102 PG (20)
G584H1	AS 210H-PG 10	B24 H178 GALV 120	N/A	-	FS-210-H-PG-10	FS14158-H-10-PG	H-134-RS-PG X 10	1121 PG (20)
G584H2	AS 210H-PG 20	B24 H178 GALV 240	N/A	-	FS-210-H-PG-20	FS14158-H-20-PG	H-134-RS-PG X 20	1122 PG (20)
G584OS1	AS 210EH-PG 10	B24 SH GALV 120	ES A14 UST008	A14HS1000PG	FS-210-SS-PG-10	FS14158-10-PG	H-134-OS-PG X 10	1111 PG (20)
G584OS2	AS 210EH-PG 20	B24 SH GALV 240	ES A14 UST006	A14HS2000PG	FS-210-SS-PG-20	FS14158-20-PG	H-134-OS-PG X 20	1112 PG (20)
G584LS1	AS 210S-PG 10	B24 S GALV 120	N/A	-	FS-210-SL-PG-10	-	H-134-OS3-PG X 10	1131 PG (20)
G584LS2	AS 210S-PG 20	B24 S GALV 240	N/A	-	FS-210-SL-PG-20	-	H-134-OS3-PG X 20	1132 PG (20)
G584A1	AS 210BTB-PG 10	B24A GALV 120	N/A	-	FS-211-PG-10	-	H-134-A-PG X 10	1101A PG (20)
G584A2	AS 210BTB-PG 20	B24A GALV 240	N/A	-	FS-211-PG-20	-	H-134-A-PG X 20	1102A PG (20)
G584AOS1	-	-	N/A	-	-	FS14158BB-10-PG	-	1111A PG (20)
G584AOS2	-	-	N/A	-	-	FS14158BB-20-PG	-	1112A PG (20)
G584KO1	AS 210KO-PG 10	B24 KO6 GALV 120	N/A	-	FS-210-KO-PG-10	-	H-134-KO-PG X 10	1141 PG (20)
G584KO2	AS 210KO-PG 20	B24 KO6 GALV 240	N/A	-	FS-210-KO-PG-20	-	H-134-KO-PG X 20	1142 PG (20)

GREEN » G584 - 1 5/8" X 1 5/8"

G-STRUT®	ANVIL	B-LINE/EATON	ELITE	ERICO/NVENT	FLEX-STRUT	FLORIDA/ZSI	HAYDON	PHD
G5841POP	AS 210-GR 10	B24 GRN 120	N/A	A141000GN	FS-210-GR-10	N/A	H-134-GR X 10	N/A
G5842POP	AS 210-GR 20	B24 GRN 240	N/A	A142000GN	FS-210-GR-20	N/A	H-134-GR X 20	N/A
G584H1POP	AS 210H-GR 10	B24 H178 GRN 120	N/A	-	FS-210-H-GR-10	N/A	H-134-RS-GR X 10	N/A
G584H2POP	AS 210H-GR 20	B24 H178 GRN 240	N/A	-	FS-210-H-GR-20	N/A	H-134-RS-GR X 20	N/A
G584OS1POP	AS 210EH-GR 10	B24 SH GRN 120	ES A14 UST004	A14HS1000GN	FS-210-SS-GR-10	N/A	H-134-OS-GR X 10	N/A
G584OS2POP	AS 210EH-GR 20	B24 SH GRN 240	ES A14 UST007	A14HS2000GN	FS-210-SS-GR-20	N/A	H-134-OS-GR X 20	N/A
G584LS1POP	AS 210S-GR 10	B24 S GRN 120	N/A	-	FS-210-SL-GR-10	N/A	H-134-OS3-GR X 10	N/A
G584LS2POP	AS 210S-GR 20	B24 S GRN 240	N/A	-	FS-210-SL-GR-20	N/A	H-134-OS3-GR X 20	N/A
G584A1POP	AS 210BTB-GR 10	B24A GRN 120	N/A	-	FS-211-GR-10	N/A	H-134-A-GR X 10	N/A
G584A2POP	AS 210BTB-GR 20	B24A GRN 240	N/A	-	FS-211-GR-20	N/A	H-134-A-GR X 20	N/A
G584AOS1POP	-	-	N/A	-	-	N/A	-	N/A
G584AOS2POP	-	-	N/A	-	-	N/A	-	N/A
G584KO1POP	AS 210KO-GR 10	B24 KO6 GRN 120	N/A	-	FS-210-KO-GR-10	N/A	H-134-KO-GR X 10	N/A
G584KO2POP	AS 210KO-GR 20	B24 KO6 GRN 240	N/A	-	FS-210-KO-GR-20	N/A	H-134-KO-GR X 20	N/A

YELLOW ZINC (GOLD) » G584 - 1 5/8" X 1 5/8"

G-STRUT®	ANVIL	B-LINE/EATON	ELITE	ERICO/NVENT	FLEX-STRUT	FLORIDA/ZSI	HAYDON	PHD
G5841YZ	-	-	N/A	-	N/A	N/A	-	N/A
G5842YZ	-	-	N/A	-	N/A	N/A	-	N/A
G584H1YZ	-	-	N/A	-	N/A	N/A	-	N/A
G584H2YZ	-	-	N/A	-	N/A	N/A	-	N/A
G584OS1YZ	-	-	N/A	-	N/A	N/A	-	N/A
G584OS2YZ	-	-	N/A	-	N/A	N/A	-	N/A
G584LS1YZ	-	-	N/A	-	N/A	N/A	-	N/A
G584LS2YZ	-	-	N/A	-	N/A	N/A	-	N/A
G584A1YZ	-	-	N/A	-	N/A	N/A	-	N/A
G584A2YZ	-	-	N/A	-	N/A	N/A	-	N/A
G584AOS1YZ	-	-	N/A	-	N/A	N/A	-	N/A
G584AOS2YZ	-	-	N/A	-	N/A	N/A	-	N/A
G584KO1YZ	-	-	N/A	-	N/A	N/A	-	N/A
G584KO2YZ	-	-	N/A	-	N/A	N/A	-	N/A

GALVANNEALED WIZCOAT™ » G584 - 1 5/8" X 1 5/8"

G-STRUT®	ANVIL	B-LINE/EATON	ELITE	ERICO/NVENT	FLEX-STRUT	FLORIDA/ZSI	HAYDON	PHD
G5841GN	N/A	N/A	N/A	N/A	N/A	N/A	N/A	N/A
G5842GN	N/A	N/A	N/A	N/A	N/A	N/A	N/A	N/A
G584H1GN	N/A	N/A	N/A	N/A	N/A	N/A	N/A	N/A
G584H2GN	N/A	N/A	N/A	N/A	N/A	N/A	N/A	N/A
G584OS1GN	N/A	N/A	N/A	N/A	N/A	N/A	N/A	N/A
G584OS2GN	N/A	N/A	N/A	N/A	N/A	N/A	N/A	N/A
G584LS1GN	N/A	N/A	N/A	N/A	N/A	N/A	N/A	N/A
G584LS2GN	N/A	N/A	N/A	N/A	N/A	N/A	N/A	N/A
G584A1GN	N/A	N/A	N/A	N/A	N/A	N/A	N/A	N/A
G584A2GN	N/A	N/A	N/A	N/A	N/A	N/A	N/A	N/A
G584AOS1GN	N/A	N/A	N/A	N/A	N/A	N/A	N/A	N/A
G584AOS2GN	N/A	N/A	N/A	N/A	N/A	N/A	N/A	N/A
G584KO1GN	N/A	N/A	N/A	N/A	N/A	N/A	N/A	N/A
G584KO2GN	N/A	N/A	N/A	N/A	N/A	N/A	N/A	N/A

PLAIN » G584 - 1 5/8" X 1 5/8"

G-STRUT®	ANVIL	B-LINE/EATON	ELITE	ERICO/NVENT	FLEX-STRUT	FLORIDA/ZSI	HAYDON	PHD
G5841PO	AS 210-PL 10	B24 PLN 120	N/A	N/A	FS-210-PL-10	-	H-134-PL X 10	1101 PL (10)
G5842PO	AS 210-PL 20	B24 PLN 240	N/A	N/A	FS-210-PL-20	-	H-134-PL X 20	1102 PL (20)
G584H1PO	AS 210H-PL 10	B24 H178 PLN 120	N/A	N/A	FS-210-H-PL-10	FS14158-H-10-PL	H-134-RS-PL X 10	1121 PL (10)
G584H2PO	AS 210H-PL 20	B24 H178 PLN 240	N/A	N/A	FS-210-H-PL-20	FS14158-H-20-PL	H-134-RS-PL X 20	1122 PL (20)
G584OS1PO	AS 210EH-PL 10	B24 SH PLN 120	N/A	N/A	FS-210-SS-PL-10	FS14158-10-PL	H-134-OS-PL X 10	1111 PL (10)
G584OS2PO	AS 210EH-PL 20	B24 SH PLN 240	N/A	N/A	FS-210-SS-PL-20	FS14158-20-PL	H-134-OS-PL X 20	1112 PL (20)
G584LS1PO	AS 210S-PL 10	B24 S PLN 120	N/A	N/A	FS-210-SL-PL-10	-	H-134-OS3-PL X 10	1131 PL (10)
G584LS2PO	AS 210S-PL 20	B24 S PLN 240	N/A	N/A	FS-210-SL-PL-20	-	H-134-OS3-PL X 20	1132 PL (20)
G584A1PO	AS 210BTB-PL 10	B24A PLN 120	N/A	N/A	FS-211-PL-10	-	H-134-A-PL X 10	1101A PL (10)
G584A2PO	AS 210BTB-PL 20	B24A PLN 240	N/A	N/A	FS-211-PL-20	-	H-134-A-PL X 20	1102A PL (20)
G584AOS1PO	-	-	N/A	N/A	-	FS14158BB-10-PL	-	1111A PL (10)
G584AOS2PO	-	N/A	N/A	N/A	FS14158BB-20-PL	-	-	1112A PL (20)
G584KO1PO	AS 210KO-PL 10	B24 KO6 PLN 120	N/A	N/A	FS-210-KO-PL-10	-	H-134-KO-PL X 10	1141 PL (10)
G584KO2PO	AS 210KO-PL 20	B24 KO6 PLN 240	N/A	N/A	FS-210-KO-PL-20	-	H-134-KO-PL X 20	1142 PL (20)

STRUT INDUSTRY PRODUCT CODES » G584/G584A

1 5/8" X 1 5/8"

PRE-GALVANIZED » G584 - 1 5/8" X 1 5/8"

G-STRUT®	POWER/ATKORE	PUPCO	SASCO	SUPERSTRUT/ ABB	UNISTRUT/ATKORE	VERSABAR/ZSI	WESANCO/ZSI
G5841	PS 210 10 PG	AS-134-PG (10)	S4G (10)	A1400 10PG	N/A	VA-2 EG (10)	W-210 PRE-GALV (10)
G5842	PS 210 20 PG	AS-134-PG (20)	S4G (20)	A1400 20PG	N/A	VA-2 EG (20)	W-210 PRE-GALV (20)
G584H1	PS 210 H 10 PG	AS-134-RS-PG (10)	S4H112G (10)	A1400H 10PG	N/A	VA-2P1.87 EG (10)	W-210-H PRE-GALV (10)
G584H2	PS 210 H 20 PG	AS-134-RS-PG (20)	S4H112G (20)	A1400H 20PG	N/A	VA-2P1.87 EG (20)	W-210-H PRE-GALV (20)
G584OS1	PS 210 EH 10 PG	AS-134-OS-PG (10)	S4SL2G (10)	A1400HS 10PG	N/A	VA-2PLH EG (10)	W-210-SS PRE-GALV (10)
G584OS2	PS 210 EH 20 PG	AS-134-OS-PG (20)	S4SL2G (20)	A1400HS 20PG	N/A	VA-2PLH EG (20)	W-210-SS PRE-GALV (20)
G584LS1	PS 210 S 10 PG	AS-134-SL-PG (10)	S4SL4G (10)	A1400LS 10PG	N/A	VA-2P3S EG (10)	W-210-SL PRE-GALV (10)
G584LS2	PS 210 S 20 PG	AS-134-SL-PG (20)	S4SL4G (20)	A1400LS 20PG	N/A	VA-2P3S EG (20)	W-210-SL PRE-GALV (20)
G584A1	PS 210 2T3 10 PG	AS-134A-PG (10)	S4BB-G (10)	A1402 10PG	N/A	VA-2201 EG (10)	W-211 PRE-GALV (10)
G584A2	PS 210 2T3 20 PG	AS-134A-PG (20)	S4BB-G (20)	A1402 20PG	N/A	VA-2201 EG (20)	W-211 PRE-GALV (20)
G584AOS1	N/A	AS-134A-OS-PG (10)	-	A1402HS 10PG	N/A	VA-2201PLH EG (10)	W-211-SS PRE-GALV (10)
G584AOS2	N/A	AS-134A-OS-PG (20)	-	A1402HS 20PG	N/A	VA-2201PLH EG (20)	W-211-SS PRE-GALV (20)
G584KO1	PS 210 K06 10 PG	AS-134-KO-PG (10)	S4K06G (10)	A1400KO 10PG	N/A	VA-2K06 EG (10)	W-210-KO PRE-GALV (10)
G584KO2	PS 210 K06 20 PG	AS-134-KO-PG (20)	S4K06G (20)	A1400KO 20PG	N/A	VA-2K06 EG (20)	W-210-KO PRE-GALV (20)

GREEN » G584 - 1 5/8" X 1 5/8"

G-STRUT®	POWER/ATKORE	PUPCO	SASCO	SUPERSTRUT/ ABB	UNISTRUT/ATKORE	VERSABAR/ZSI	WESANCO/ZSI
G5841POP	PS 210 10 GR	AS-134-GR (10)	-	A1400 10GR	N/A	VA-2 GR (10)	W-210 GREEN (10)
G5842POP	PS 210 20 GR	AS-134-GR (20)	-	A1400 20GR	N/A	VA-2 GR (20)	W-210 GREEN (20)
G584H1POP	PS 210 H 10 GR	AS-134-RS-GR (10)	-	A1400H 10GR	N/A	VA-2P1.87 GR (10)	W-210-H GREEN (10)
G584H2POP	PS 210 H 20 GR	AS-134-RS-GR (20)	-	A1400H 20GR	N/A	VA-2P1.87 GR (20)	W-210-H GREEN (20)
G584OS1POP	PS 210 EH 10 GR	AS-134-OS-GR (10)	-	A1400HS 10GR	N/A	VA-2PLH GR (10)	W-210-SS GREEN (10)
G584OS2POP	PS 210 EH 20 GR	AS-134-OS-GR (20)	-	A1400HS 20GR	N/A	VA-2PLH GR (20)	W-210-SS GREEN (20)
G584LS1POP	PS 210 S 10 GR	AS-134-SL-GR (10)	-	A1400LS 10GR	N/A	VA-2P3S GR (10)	W-210-SL GREEN (10)
G584LS2POP	PS 210 S 20 GR	AS-134-SL-GR (20)	-	A1400LS 20GR	N/A	VA-2P3S GR (20)	W-210-SL GREEN (20)
G584A1POP	PS 210 2T3 10 GR	AS-134A-GR (10)	-	A1400-2 10GR	N/A	VA-2201 GR (10)	W-211 GREEN (10)
G584A2POP	PS 210 2T3 20 GR	AS-134A-GR (20)	-	A1400-2 20GR	N/A	VA-2201 GR (20)	W-211 GREEN (20)
G584AOS1POP	N/A	AS-134A-OS-GR (10)	-	A1400-2HS 10GR	N/A	VA-2201PLH GR (10)	W-211-SS GREEN (10)
G584AOS2POP	N/A	AS-134A-OS-GR (20)	-	A1400-2HS 20GR	N/A	VA-2201PLH GR (20)	W-211-SS GREEN (20)
G584KO1POP	PS 210 K06 10 GR	AS-134-KO-GR (10)	-	A1400KO 10GR	N/A	VA-2K06 GR (10)	W-210-KO GREEN (10)
G584KO2POP	PS 210 K06 20 GR	AS-134-KO-GR (20)	-	A1400KO 20GR	N/A	VA-2K06 GR (20)	W-210-KO GREEN (20)

YELLOW ZINC (GOLD) » G584 - 1 5/8" X 1 5/8"

G-STRUT®	POWER/ATKORE	PUPCO	SASCO	SUPERSTRUT/ ABB	UNISTRUT/ATKORE	VERSABAR/ZSI	WESANCO/ZSI
G5841YZ	PS 210 10 ZD	AS-134-GD (10)	-	-	N/A	N/A	-
G5842YZ	PS 210 20 ZD	AS-134-GD (20)	-	-	N/A	N/A	-
G584H1YZ	PS 210 H 10 ZD	AS-134-RS-GD (10)	-	-	N/A	N/A	-
G584H2YZ	PS 210 H 20 ZD	AS-134-RS-GD (20)	-	-	N/A	N/A	-
G584OS1YZ	PS 210 EH 10 ZD	AS-134-OS-GD (10)	-	-	N/A	N/A	-
G584OS2YZ	PS 210 EH 20 ZD	AS-134-OS-GD (20)	-	-	N/A	N/A	-
G584LS1YZ	PS 210 S 10 ZD	AS-134-SL-GD (10)	-	-	N/A	N/A	-
G584LS2YZ	PS 210 S 20 ZD	AS-134-SL-GD (20)	-	-	N/A	N/A	-
G584A1YZ	PS 210 2T3 10 ZD	AS-134A-GD (10)	-	-	N/A	N/A	-
G584A2YZ	PS 210 2T3 20 ZD	AS-134A-GD (20)	-	-	N/A	N/A	-
G584AOS1YZ	N/A	AS-134A-OS-GD (10)	-	-	N/A	N/A	-
G584AOS2YZ	N/A	AS-134A-OS-GD (20)	-	-	N/A	N/A	-
G584KO1YZ	PS 210 K06 10 ZD	AS-134-KO-GD (10)	-	-	N/A	N/A	-
G584KO2YZ	PS 210 K06 20 ZD	AS-134-KO-GD (20)	-	-	N/A	N/A	-

GALVANNEALED WIZCOAT™ » G584 - 1 5/8" X 1 5/8"

G-STRUT®	POWER/ATKORE	PUPCO	SASCO	SUPERSTRUT/ ABB	UNISTRUT/ATKORE	VERSABAR/ZSI	WESANCO/ZSI
G5841GN	N/A	N/A	N/A	N/A	N/A	N/A	N/A
G5842GN	N/A	N/A	N/A	N/A	N/A	N/A	N/A
G584H1GN	N/A	N/A	N/A	N/A	N/A	N/A	N/A
G584H2GN	N/A	N/A	N/A	N/A	N/A	N/A	N/A
G584OS1GN	N/A	N/A	N/A	N/A	N/A	N/A	N/A
G584OS2GN	N/A	N/A	N/A	N/A	N/A	N/A	N/A
G584LS1GN	N/A	N/A	N/A	N/A	N/A	N/A	N/A
G584LS2GN	N/A	N/A	N/A	N/A	N/A	N/A	N/A
G584A1GN	N/A	N/A	N/A	N/A	N/A	N/A	N/A
G584A2GN	N/A	N/A	N/A	N/A	N/A	N/A	N/A
G584AOS1GN	N/A	N/A	N/A	N/A	N/A	N/A	N/A
G584AOS2GN	N/A	N/A	N/A	N/A	N/A	N/A	N/A
G584KO1GN	N/A	N/A	N/A	N/A	N/A	N/A	N/A
G584KO2GN	N/A	N/A	N/A	N/A	N/A	N/A	N/A

PLAIN » G584 - 1 5/8" X 1 5/8"

G-STRUT®	POWER/ATKORE	PUPCO	SASCO	SUPERSTRUT/ ABB	UNISTRUT/ATKORE	VERSABAR/ZSI	WESANCO/ZSI
G5841PO	PS 210 10 PL	AS-134-BK (10)	S4P (10)	A1400 10B	N/A	N/A	W-210 PLAIN (10)
G5842PO	PS 210 20 PL	AS-134-BK (20)	S4P (20)	A1400 20B	N/A	N/A	W-210 PLAIN (20)
G584H1PO	PS 210 H 10 PL	AS-134-RS-BK (10)	S4H112P (10)	A1400H 10B	N/A	N/A	W-210-H PLAIN (10)
G584H2PO	PS 210 H 20 PL	AS-134-RS-BK (20)	S4H112P (20)	A1400H 20B	N/A	N/A	W-210-H PLAIN (20)
G584OS1PO	PS 210 EH 10 PL	AS-134-OS-BK (10)	S4SL2P (10)	A1400HS 10B	N/A	N/A	W-210-SS PLAIN (10)
G584OS2PO	PS 210 EH 20 PL	AS-134-OS-BK (20)	S4SL2P (20)	A1400HS 20B	N/A	N/A	W-210-SS PLAIN (20)
G584LS1PO	PS 210 S 10 PL	AS-134-SL-BK (10)	S4SL4P (10)	A1400LS 10B	N/A	N/A	W-210-SL PLAIN (10)
G584LS2PO	PS 210 S 20 PL	AS-134-SL-BK (20)	S4SL4P (20)	A1400LS 20B	N/A	N/A	W-210-SL PLAIN (20)
G584A1PO	PS 210 2T3 10 PL	AS-134A-BK (10)	S4BB-P (10)	A1400-2 10B	N/A	N/A	W-211 PLAIN (10)
G584A2PO	PS 210 2T3 20 PL	AS-134A-BK (20)	S4BB-P (20)	A1400-2 20B	N/A	N/A	W-211 PLAIN (20)
G584AOS1PO	N/A	AS-134A-OS-BK (10)	-	A1400-2HS 10B	N/A	N/A	W-211-SS PLAIN (10)
G584AOS2PO	N/A	AS-134A-OS-BK (20)	-	A1400-2HS 20B	N/A	N/A	W-211-SS PLAIN (20)
G584KO1PO	PS 210 K06 10 PL	AS-134-KO-BK (10)	S4K06P (10)	A1400KO 10B	N/A	N/A	W-210-KO PLAIN (10)
G584KO2PO	PS 210 K06 20 PL	AS-134-KO-BK (20)	S4K06P (20)	A1400KO 20B	N/A	N/A	W-210-KO PLAIN (20)

STRUT INDUSTRY PRODUCT CODES » G584/G584A

1 5/8" X 1 5/8"

HOT-DIPPED GALVANIZED » G584 – 1 5/8" X 1 5/8"

G-STRUT®	ANVIL	B-LINE/EATON	ELITE	ERICO/NVENT	FLEX-STRUT	FLORIDA/ZSI	HAYDON	PHD
G5841HDG	-	B24 HDG 120	N/A	N/A	N/A	-	H-134-HDG X 10	1101 HD (10)
G5842HDG	-	B24 HDG 240	N/A	N/A	N/A	-	H-134-HDG X 20	1102 HD (20)
G584H1HDG	-	B24 H178 HDG 120	N/A	N/A	N/A	FS14158-H-10-HD	H-134-RS-HDG X 10	1121 HD (10)
G584H2HDG	-	B24 H178 HDG 240	N/A	N/A	N/A	FS14158-H-20-HD	H-134-RS-HDG X 20	1122 HD(20)
G584OS1HDG	-	B24 SH HDG 120	N/A	N/A	N/A	FS14158-10-HD	H-134-OS-HDG X 10	1111 HD (10)
G584OS2HDG	-	B24 SH HDG 240	N/A	N/A	N/A	FS14158-20-HD	H-134-OS-HDG X 20	1112 HD (20)
G584LS1HDG	-	B24 S HDG 120	N/A	N/A	N/A	-	H-134-OS3-HDG X 10	1131 HD (10)
G584LS2HDG	-	B24 S HDG 240	N/A	N/A	N/A	-	H-134-OS3-HDG X 20	1132 HD (20)
G584A1HDG	-	B24A HDG 120	N/A	N/A	N/A	-	H-134-A-HDG X 10	1101A HD (10)
G584A2HDG	-	B24A HDG 240	N/A	N/A	N/A	-	H-134-A-HDG X 20	1102A HD (20)
G584AOS1HDG	-	-	N/A	N/A	N/A	FS14158BB-10-HD	-	1111A HD (10)
G584AOS2HDG	-	-	N/A	N/A	N/A	FS14158BB-20-HD	-	1112A HD (20)
G584KO1HDG	-	B24 KO6 HDG 120	N/A	N/A	N/A	-	H-134-KO-HDG X 10	1141 HD (10)
G584KO2HDG	-	B24 KO6 HDG 240	N/A	N/A	N/A	-	H-134-KO-HDG X 20	1142 HD (20)

ALUMINUM » G584 – 1 5/8" X 1 5/8"

G-STRUT®	ANVIL	B-LINE/EATON	ELITE	ERICO/NVENT	FLEX-STRUT	FLORIDA/ZSI	HAYDON	PHD
G5841AL (N/A)	-	B24 AL 120	N/A	N/A	N/A	N/A	-	1101 AL (10)
G5842AL (N/A)	-	B24 AL 240	N/A	N/A	N/A	N/A	-	1102 AL (20)
G584H1AL (N/A)	-	B24 H178 AL 120	N/A	N/A	N/A	FS14158-H-10-ALUMINUM	-	1121 AL (10)
G584H2AL (N/A)	-	B24 H178 AL 240	N/A	N/A	N/A	FS14158-H-10-ALUMINUM	-	1122 AL (20)
G584OS1AL (N/A)	-	B24 SH AL 120	N/A	N/A	N/A	FS14158-10-ALUMINUM	-	1111 AL (10)
G584OS2AL (N/A)	-	B24 SH AL 240	N/A	N/A	N/A	FS14158-20-ALUMINUM	-	1112 AL (20)
G584LS1AL (N/A)	-	B24 S AL 120	N/A	N/A	N/A	N/A	-	1131 AL (10)
G584LS2AL (N/A)	-	B24 S AL 240	N/A	N/A	N/A	N/A	-	1132 AL (20)
G584A1AL (N/A)	-	B24A AL 120	N/A	N/A	N/A	N/A	-	1101A AL (10)
G584A2AL (N/A)	-	B24A AL 240	N/A	N/A	N/A	N/A	-	1102A AL (20)
G584AOS1AL (N/A)	-	N/A	N/A	N/A	N/A	FS14158BB-10-ALUMINUM	-	1111A AL (10)
G584AOS2AL (N/A)	-	N/A	N/A	N/A	N/A	FS14158BB-20-ALUMINUM	-	1112A AL (20)
G584KO1AL (N/A)	-	B24 KO6 AL 120	N/A	N/A	N/A	N/A	-	1141 AL (10)
G584KO2AL (N/A)	-	B24 KO6 AL 240	N/A	N/A	N/A	N/A	-	1142 AL (20)

PVC COATED » G584 – 1 5/8" X 1 5/8"

G-STRUT®	ANVIL	B-LINE/EATON	ELITE	ERICO/NVENT	FLEX-STRUT	FLORIDA/ZSI	HAYDON	PHD
G5841PVC	-	N/A	N/A	N/A	N/A	N/A	-	N/A
G5842PVC	-	N/A	N/A	N/A	N/A	N/A	-	N/A
G584H1PVC	-	N/A	N/A	N/A	N/A	N/A	-	N/A
G584H2PVC	-	N/A	N/A	N/A	N/A	N/A	-	N/A
G584OS1PVC	-	N/A	N/A	N/A	N/A	N/A	-	N/A
G584OS2PVC	-	N/A	N/A	N/A	N/A	N/A	-	N/A
G584LS1PVC	-	N/A	N/A	N/A	N/A	N/A	-	N/A
G584LS2PVC	-	N/A	N/A	N/A	N/A	N/A	-	N/A
G584A1PVC	-	N/A	N/A	N/A	N/A	N/A	-	N/A
G584A2PVC	-	N/A	N/A	N/A	N/A	N/A	-	N/A
G584AOS1PVC	-	N/A	N/A	N/A	N/A	N/A	-	N/A
G584AOS2PVC	-	N/A	N/A	N/A	N/A	N/A	-	N/A
G584KO1PVC	-	N/A	N/A	N/A	N/A	N/A	-	N/A
G584KO2PVC	-	N/A	N/A	N/A	N/A	N/A	-	N/A

STRUT INDUSTRY PRODUCT CODES » G584/G584A

1 5/8" X 1 5/8"

HOT-DIPPED GALVANIZED » G584 – 1 5/8" X 1 5/8"

G-STRUT®	POWER/ATKORE	PUPCO	SASCO	SUPERSTRUT/ ABB	UNISTRUT/ATKORE	VERSABAR/ZSI	WESANCO/ZSI
G5841HDG	PS 210 10 HG	AS-134-HD (10)	S4HG (10)	A1400 10HDG	N/A	N/A	W-210 HDGAF (10)
G5842HDG	PS 210 20 HG	AS-134-HD (20)	S4HG (20)	A1400 20HDG	N/A	N/A	W-210 HDGAF (20)
G584H1HDG	PS 210 H 10 HG	AS-134-RS-HD (10)	S4H112HG (10)	A1400H 10HDG	N/A	N/A	W-210-H HDGAF (10)
G584H2HDG	PS 210 H 20 HG	AS-134-RS-HD (20)	S4H112HG (20)	A1400H 20HDG	N/A	N/A	W-210-H HDGAF (20)
G584OS1HDG	PS 210 EH 10 HG	AS-134-OS-HD (10)	S4SL2HG (10)	A1400HS 10HDG	N/A	N/A	W-210-SS HDGAF (10)
G584OS2HDG	PS 210 EH 20 HG	AS-134-OS-HD (20)	S4SL2HG (20)	A1400HS 20HDG	N/A	N/A	W-210-SS HDGAF (20)
G584LS1HDG	PS 210 S 10 HG	AS-134-SL-HD (10)	S4SL4HG (10)	A1400LS 10HDG	N/A	N/A	W-210-SL HDGAF (10)
G584LS2HDG	PS 210 S 20 HG	AS-134-SL-HD (20)	S4SL4HG (20)	A1400LS 20HDG	N/A	N/A	W-210-SL HDGAF (20)
G584A1HDG	PS 210 2T3 10 HG	AS-134A-HD (10)	S4BB-HG (10)	A1400-2 10HDG	N/A	N/A	W-211 HDGAF (10)
G584A2HDG	PS 210 2T3 20 HG	AS-134A-HD (20)	S4BB-HG (20)	A1400-2 20HDG	N/A	N/A	W-211 HDGAF (20)
G584AOS1HDG	N/A	AS-134A-OS-HD (10)	-	A1400-2HS 10HDG	N/A	N/A	W-211-SS HDGAF (10)
G584AOS2HDG	N/A	AS-134A-OS-HD (20)	-	A1400-2HS 10HDG	N/A	N/A	W-211-SS HDGAF (20)
G584KO1HDG	PS 210 KO6 10 HG	AS-134-KO-HD (10)	S4KO6HG (10)	A1400KO 10HDG	N/A	N/A	W-210-KO HDGAF (10)
G584KO2HDG	PS 210 KO6 20 HG	AS-134-KO-HD (20)	S4KO6HG (20)	A1400KO 20HDG	N/A	N/A	W-210-KO HDGAF (20)

ALUMINUM » G584 – 1 5/8" X 1 5/8"

G-STRUT®	POWER/ATKORE	PUPCO	SASCO	SUPERSTRUT/ ABB	UNISTRUT/ATKORE	VERSABAR/ZSI	WESANCO/ZSI
G5841AL (N/A)	PS 210 10 AL	AS-134-AL (10)	S4AL (10)	A1400 10AL	N/A	N/A	N/A
G5842AL (N/A)	PS 210 20 AL	AS-134-AL (20)	S4AL (20)	A1400 20AL	N/A	N/A	N/A
G584H1AL (N/A)	PS 210 H 10 AL	AS-134-RS-AL (10)	S4H112AL (10)	A1400H 10AL	N/A	N/A	N/A
G584H2AL (N/A)	PS 210 H 20 AL	AS-134-RS-AL (20)	S4H112AL (20)	A1400H 20AL	N/A	N/A	N/A
G584OS1AL (N/A)	PS 210 EH 10 AL	AS-134-OS-AL (10)	S4SL2AL (10)	A1400HS 10AL	N/A	N/A	N/A
G584OS2AL (N/A)	PS 210 EH 20 AL	AS-134-OS-AL (20)	S4SL2AL (20)	A1400HS 20AL	N/A	N/A	N/A
G584LS1AL (N/A)	PS 210 S 10 AL	AS-134-SL-AL (10)	S4SL4AL (10)	A1400LS 10AL	N/A	N/A	N/A
G584LS2AL (N/A)	PS 210 S 20 AL	AS-134-SL-AL (20)	S4SL4AL (20)	A1400LS 20AL	N/A	N/A	N/A
G584A1AL (N/A)	PS 210 2T3 10 AL	AS-134A-AL (10)	S4BB-AL (10)	A1400-2 10AL	N/A	N/A	N/A
G584A2AL (N/A)	PS 210 2T3 20 AL	AS-134A-AL (20)	S4BB-AL (20)	A1400-2 20AL	N/A	N/A	N/A
G584AOS1AL (N/A)	N/A	AS-134A-OS-AL (10)	-	A1400-2HS 10AL	N/A	N/A	N/A
G584AOS2AL (N/A)	N/A	AS-134A-OS-AL (20)	-	A1400-2HS 20AL	N/A	N/A	N/A
G584KO1AL (N/A)	PS 210 KO6 10 AL	AS-134-KO-AL (10)	S4KO6AL (10)	A1400KO 10AL	N/A	N/A	N/A
G584KO2AL (N/A)	PS 210 KO6 20 AL	AS-134-KO-AL (20)	S4KO6AL (20)	A1400KO 20AL	N/A	N/A	N/A

PVC COATED » G584 – 1 5/8" X 1 5/8"

G-STRUT®	POWER/ATKORE	PUPCO	SASCO	SUPERSTRUT/ ABB	UNISTRUT/ATKORE	VERSABAR/ZSI	WESANCO/ZSI
G5841PVC	N/A	AS-134-PVC (10)	S4PVC (10)	A1400 10PVC	N/A	N/A	-
G5842PVC	N/A	AS-134-PVC (20)	S4PVC (20)	A1400 20PVC	N/A	N/A	-
G584H1PVC	N/A	AS-134-RS-PVC (10)	S4H112PVC (10)	A1400H 10PVC	N/A	N/A	-
G584H2PVC	N/A	AS-134-RS-PVC (20)	S4H112PVC (20)	A1400H 20PVC	N/A	N/A	-
G584OS1PVC	N/A	AS-134-OS-PVC (10)	S4SL2PVC (10)	A1400HS 10PVC	N/A	N/A	-
G584OS2PVC	N/A	AS-134-OS-PVC (20)	S4SL2PVC (20)	A1400HS 20PVC	N/A	N/A	-
G584LS1PVC	N/A	AS-134-SL-PVC (10)	S4SL4PVC (10)	A1400LS 10PVC	N/A	N/A	-
G584LS2PVC	N/A	AS-134-SL-PVC (20)	S4SL4PVC (20)	A1400LS 20PVC	N/A	N/A	-
G584A1PVC	N/A	AS-134A-PVC (10)	S4BB-PVC (10)	A1400-2 10PVC	N/A	N/A	-
G584A2PVC	N/A	AS-134A-PVC (20)	S4BB-PVC (20)	A1400-2 20PVC	N/A	N/A	-
G584AOS1PVC	N/A	AS-134A-OS-PVC (10)	-	A1400-2HS 10PVC	N/A	N/A	-
G584AOS2PVC	N/A	AS-134A-OS-PVC (20)	-	A1400-2HS 20PVC	N/A	N/A	-
G584KO1PVC	N/A	AS-134-KO-PVC (10)	S4KO6PVC (10)	A1400KO 10PVC	N/A	N/A	-
G584KO2PVC	N/A	AS-134-KO-PVC (20)	S4KO6PVC (20)	A1400KO 20PVC	N/A	N/A	-

STRUT INDUSTRY PRODUCT CODES » G382/G382A

1 3/8" X 1 5/8"

PRE GALVANIZED » G382 - 1 3/8" X 1 5/8"

G-STRUT®	ANVIL	B-LINE/EATON	ELITE	ERICO/NVENT	FLEX-STRUT	FLORIDA/ZSI	HAYDON	PHD
G3821	AS 300-PG 10	B32 GALV 120	N/A	B121000PC	FS-300-PG-10	N/A	H-142-PG X 10	1701 PG (10)
G3822	AS 300-PG 20	B32 GALV 240	N/A	B122000PG	FS-300-PG-20	N/A	H-142-PG X 20	1702 PG (20)
G382H1	AS 300H-PG 10	B32 H178 GALV 120	N/A	-	FS-300-H-PG-10	N/A	H-142-RS-PG X 10	1721 PG (10)
G382H2	AS 300H-PG 20	B32 H178 GALV 240	N/A	-	FS-300-H-PG-20	N/A	H-142-RS-PG X 20	1722 PG (20)
G382OS1	AS 300EH-PG 10	B32 SH GALV 120	N/A	B12HS1000PG	FS-300-SS-PG-10	N/A	H-142-OS-PG X 10	1711 PG (10)
G382OS2	AS 300EH-PG 20	B32 SH GALV 240	N/A	B12HS2000PG	FS-300-SS-PG-20	N/A	H-142-OS-PG X 20	1712 PG (20)
G382LS1	AS 300S-PG 10	B32 S GALV 120	N/A	-	FS-300-SL-PG-10	N/A	H-142-OS3-PG X 10	1731 PG (10)
G382LS2	AS 300S-PG 20	B32 S GALV 240	N/A	-	FS-300-SL-PG-20	N/A	H-142-OS3-PG X 20	1732 PG (20)
G382A1	AS 300BTB-PG 10	B32A GALV 120	N/A	-	FS-301-PG-10	N/A	H-142-A-PG X 10	1701A PG (10)
G382A2	AS 300BTB-PG 20	B32A GALV 240	N/A	-	FS-301-PG-20	N/A	H-142-A-PG X 20	1702A PG (20)
G382AOS1	-	-	N/A	-	-	N/A	-	1711A PG (10)
G382AOS2	-	-	N/A	-	-	N/A	-	1712A PG (20)
G382KO1	AS 300KO-PG 10	B32 KO6 GALV 120	N/A	-	FS-300-KO-PG-10	N/A	H-142-KO-PG X 10	1741 PG (10)
G382KO2	AS 300KO-PG 20	B32 KO6 GALV 240	N/A	-	FS-300-KO-PG-20	N/A	H-142-KO-PG X 20	1742 PG (20)

GREEN » G382 - 1 3/8" X 1 5/8"

G-STRUT®	ANVIL	B-LINE/EATON	ELITE	ERICO/NVENT	FLEX-STRUT	FLORIDA/ZSI	HAYDON	PHD
G3821POP	AS 300-GR 10	B32 GRN 120	N/A	B121000GN	FS-300-GR-10	N/A	H-142-GRN X 10	N/A
G3822POP	AS 300-GR 20	B32 GRN 240	N/A	B122000GRN	FS-300-GR-20	N/A	H-142-GRN X 20	N/A
G382H1POP	AS 300H-GR 10	B32 H178 GRN 120	N/A	-	FS-300-H-GR-10	N/A	H-142-RS-GRN X 10	N/A
G382H2POP	AS 300H-GR 20	B32 H178 GRN 240	N/A	-	FS-300-H-GR-20	N/A	H-142-RS-GRN X 20	N/A
G382OS1POP	AS 300EH-GR 10	B32 SH GRN 120	N/A	B12HS1000GN	FS-300-SS-GR-10	N/A	H-142-OS-GRN X 10	N/A
G382OS2POP	AS 300EH-GR 20	B32 SH GRN 240	N/A	B12HS2000GN	FS-300-SS-GR-20	N/A	H-142-OS-GRN X 20	N/A
G382LS1POP	AS 300S-GR 10	B32 S GRN 120	N/A	-	FS-300-SL-GR-10	N/A	H-142-OS3-GRN X 10	N/A
G382LS2POP	AS 300S-GR 20	B32 S GRN 240	N/A	-	FS-300-SL-GR-20	N/A	H-142-OS3-GRN X 20	N/A
G382A1POP	AS 300BTB-GR 10	B32A GRN 120	N/A	-	FS-301-GR-10	N/A	H-142-A-GRN X 10	N/A
G382A2POP	AS 300BTB-GR 20	B32A GRN 240	N/A	-	FS-301-GR-20	N/A	H-142-A-GRN X 20	N/A
G382AOS1POP	-	-	N/A	-	-	N/A	-	N/A
G382AOS2POP	-	-	N/A	-	-	N/A	-	N/A
G382KO1POP	AS 300KO-GR 10	B32 KO6 GRN 120	N/A	-	FS-300-KO-GR-10	N/A	H-142-KO-GRN X 10	N/A
G382KO2POP	AS 300KO-GR 20	B32 KO6 GRN 240	N/A	-	FS-300-KO-GR-20	N/A	H-142-KO-GRN X 20	N/A

YELLOW ZINC (GOLD) » G382 - 1 3/8" X 1 5/8"

G-STRUT®	ANVIL	B-LINE/EATON	ELITE	ERICO/NVENT	FLEX-STRUT	FLORIDA/ZSI	HAYDON	PHD
G3821YZ	-	-	N/A	-	N/A	N/A	-	N/A
G3822YZ	-	-	N/A	-	N/A	N/A	-	N/A
G382H1YZ	-	-	N/A	-	N/A	N/A	-	N/A
G382H2YZ	-	-	N/A	-	N/A	N/A	-	N/A
G382OS1YZ	-	-	N/A	-	N/A	N/A	-	N/A
G382OS2YZ	-	-	N/A	-	N/A	N/A	-	N/A
G382LS1YZ	-	-	N/A	-	N/A	N/A	-	N/A
G382LS2YZ	-	-	N/A	-	N/A	N/A	-	N/A
G382A1YZ	-	-	N/A	-	N/A	N/A	-	N/A
G382A2YZ	-	-	N/A	-	N/A	N/A	-	N/A
G382AOS1YZ	-	-	N/A	-	N/A	N/A	-	N/A
G382AOS2YZ	-	-	N/A	-	N/A	N/A	-	N/A
G382KO1YZ	-	-	N/A	-	N/A	N/A	-	N/A
G382KO2YZ	-	-	N/A	-	N/A	N/A	-	N/A

GALVANNEALED WIZCOAT™ » G382 - 1 3/8" X 1 5/8"

G-STRUT®	ANVIL	B-LINE/EATON	ELITE	ERICO/NVENT	FLEX-STRUT	FLORIDA/ZSI	HAYDON	PHD
G3821GN	N/A	N/A	N/A	N/A	N/A	N/A	N/A	N/A
G3822GN	N/A	N/A	N/A	N/A	N/A	N/A	N/A	N/A
G382H1GN	N/A	N/A	N/A	N/A	N/A	N/A	N/A	N/A
G382H2GN	N/A	N/A	N/A	N/A	N/A	N/A	N/A	N/A
G382OS1GN	N/A	N/A	N/A	N/A	N/A	N/A	N/A	N/A
G382OS2GN	N/A	N/A	N/A	N/A	N/A	N/A	N/A	N/A
G382LS1GN	N/A	N/A	N/A	N/A	N/A	N/A	N/A	N/A
G382LS2GN	N/A	N/A	N/A	N/A	N/A	N/A	N/A	N/A
G382A1GN	N/A	N/A	N/A	N/A	N/A	N/A	N/A	N/A
G382A2GN	N/A	N/A	N/A	N/A	N/A	N/A	N/A	N/A
G382AOS1GN	N/A	N/A	N/A	N/A	N/A	N/A	N/A	N/A
G382AOS2GN	N/A	N/A	N/A	N/A	N/A	N/A	N/A	N/A
G382KO1GN	N/A	N/A	N/A	N/A	N/A	N/A	N/A	N/A
G382KO2GN	N/A	N/A	N/A	N/A	N/A	N/A	N/A	N/A

PLAIN » G382 - 1 3/8" X 1 5/8"

G-STRUT®	ANVIL	B-LINE/EATON	ELITE	ERICO/NVENT	FLEX-STRUT	FLORIDA/ZSI	HAYDON	PHD
G3821PO	AS 300-PL 10	B32 PLN 120	N/A	-	FS-300-PL-10	N/A	H-142-PL X 10	1701 PL (10)
G3822PO	AS 300-PL 20	B32 PLN 240	N/A	-	FS-300-PL-20	N/A	H-142-PL X 20	1702 PL (20)
G382H1PO	AS 300H-PL 10	B32 H178 PLN 120	N/A	-	FS-300-H-PL-10	N/A	H-142-RS-PL X 10	1721 PL (10)
G382H2PO	AS 300H-PL 20	B32 H178 PLN 240	N/A	-	FS-300-H-PL-20	N/A	H-142-RS-PL X 20	1722 PL (20)
G382OS1PO	AS 300EH-PL 10	B32 SH PLN 120	N/A	-	FS-300-SS-PL-10	N/A	H-142-OS-PL X 10	1711PL (10)
G382OS2PO	AS 300EH-PL 20	B32 SH PLN 240	N/A	-	FS-300-SS-PL-20	N/A	H-142-OS-PL X 20	1712 PL (20)
G382LS1PO	AS 300S-PL 10	B32 S PLN 120	N/A	-	FS-300-SL-PL-10	N/A	H-142-OS3-PL X 10	1731 PL (10)
G382LS2PO	AS 300S-PL 20	B32 S PLN 240	N/A	-	FS-300-SL-PL-20	N/A	H-142-OS3-PL X 20	1732 PL (20)
G382A1PO	AS 300BTB-PL 10	B32A PLN 120	N/A	-	FS-301-PL-10	N/A	H-142-A-PL X 10	1701A PL (10)
G382A2PO	AS 300BTB-PL 20	B32A PLN 240	N/A	-	FS-301-PL-20	N/A	H-142-A-PL X 20	1702A PL (20)
G382AOS1PO	-	-	N/A	-	-	N/A	-	1711A PL (10)
G382AOS2PO	-	-	N/A	-	-	N/A	-	1712A PL (20)
G382KO1PO	AS 300KO-PL 10	B32 KO6 PLN 120	N/A	-	FS-300-KO-PL-10	N/A	H-142-KO-PL X 10	1741 PL (10)
G382KO2PO	AS 300KO-PL 20	B32 KO6 PLN 240	N/A	-	FS-300-KO-PL-20	N/A	H-142-KO-PL X 20	1742 PL (20)

STRUT INDUSTRY PRODUCT CODES » G382/G382A

1 3/8" X 1 5/8"

PRE GALVANIZED » G382 – 1 3/8" X 1 5/8"

G-STRUT®	POWER/ATKORE	PUPCO	SASCO	SUPERSTRUT/ ABB	UNISTRUT/ATKORE	VERSABAR/ZSI	WESANCO/ZSI
G3821	PS 300 10 PG	AS-142-PG (10)	N/A	C1200 10PG	P3000 10PG	VA-6 EG (10)	W-300 PRE-GALV (10)
G3822	PS 300 20 PG	AS-142-PG (20)	N/A	C1200 20PG	P3000 20PG	VA-6 EG (20)	W-300 PRE-GALV (20)
G382H1	PS 300 H 10 PG	AS-142-RS-PG (10)	N/A	N/A	P3000 HS 10PG	VA-6P1.87 EG (10)	W-300-H PRE-GALV (10)
G382H2	PS 300 H 20 PG	AS-142-RS-PG (20)	N/A	N/A	P3000 HS 20PG	VA-6P1.87 EG (20)	W-300-H PRE-GALV (20)
G382O51	PS 300 EH 10 PG	AS-142-OS-PG (10)	N/A	C1200HS 10PG	P3000 T 10PG	VA-6PLH EG (10)	W-300-SS PRE-GALV (10)
G382O52	PS 300 EH 20 PG	AS-142-OS-PG (20)	N/A	C1200HS 20PG	P3000 T 20PG	VA-6PLH EG (20)	W-300-SS PRE-GALV (20)
G382L51	PS 300 S 10 PG	AS-142-SL-PG (10)	N/A	N/A	P3000 SL 10PG	VA-6P3S EG (10)	W-300-SL PRE-GALV (10)
G382L52	PS 300 S 20 PG	AS-142-SL-PG (20)	N/A	N/A	P3000 SL 20PG	VA-6P3S EG (20)	W-300-SL PRE-GALV (20)
G382A1	PS 300 2T3 10 PG	AS-142A-PG (10)	N/A	C1200-2 10PG	P3001 10PG	VA-6201 EG (10)	W-301 PRE-GALV (10)
G382A2	PS 300 2T3 20 PG	AS-142A-PG (20)	N/A	C1200-2 20PG	P3001 20PG	VA-6201 EG (20)	W-301 PRE-GALV (20)
G382A051	PS 300 2T3 EH 10 PG	AS-142A-OS-PG (10)	N/A	C1200-2HS 10PG	P3001T 10PG	N/A	W-301-SS PRE-GALV (10)
G382A052	PS 300 2T3 EH 20 PG	AS-142A-OS-PG (20)	N/A	C1200-2HS 20PG	P3001T 20PG	N/A	W-301-SS PRE-GALV (20)
G382KO1	N/A	AS-142-KO-PG (10)	N/A	N/A	P3000 KO 10PG	N/A	W-300-KO PRE-GALV (10)
G382KO2	N/A	AS-142-KO-PG (20)	N/A	N/A	P3000 KO 20PG	N/A	W-300-KO PRE-GALV (20)

GREEN » G382 – 1 3/8" X 1 5/8"

G-STRUT®	POWER/ATKORE	PUPCO	SASCO	SUPERSTRUT/ ABB	UNISTRUT/ATKORE	VERSABAR/ZSI	WESANCO/ZSI
G3821POP	PS 300 10 GR	AS-142-GR (10)	N/A	C1200 10GR	P3000 10GR	N/A	W-300 GREEN (10)
G3822POP	PS 300 20 GR	AS-142-GR (20)	N/A	C1200 20GR	P3000 20GR	N/A	W-300 GREEN (20)
G382H1POP	PS 300 H 10 GR	AS-142-RS-GR (10)	N/A	N/A	P3000 HS 10GR	N/A	W-300-H GREEN (10)
G382H2POP	PS 300 H 20 GR	AS-142-RS-GR (20)	N/A	N/A	P3000 HS 20GR	N/A	W-300-H GREEN (20)
G382O51POP	PS 300 EH 10 GR	AS-142-OS-GR (10)	N/A	C1200HS 10GR	P3000 T 10GR	N/A	W-300-SS GREEN (10)
G382O52POP	PS 300 EH 20 GR	AS-142-OS-GR (20)	N/A	C1200HS 20GR	P3000 T 20GR	N/A	W-300-SS GREEN (20)
G382L51POP	PS 300 S 10 GR	AS-142-SL-GR (10)	N/A	N/A	P3000 SL 10GR	N/A	W-300-SL GREEN (10)
G382L52POP	PS 300 S 20 GR	AS-142-SL-GR (20)	N/A	N/A	P3000 SL 20GR	N/A	W-300-SL GREEN (20)
G382A1POP	PS 300 2T3 10 GR	AS-142A-GR (10)	N/A	C1200-2 10GR	P3001 10GR	N/A	W-301 GREEN (10)
G382A2POP	PS 300 2T3 20 GR	AS-142A-GR (20)	N/A	C1200-2 20GR	P3001 20GR	N/A	W-301 GREEN (20)
G382A051POP	PS 300 2T3 EH 10 GR	AS-142A-OS-GR (10)	N/A	C1200-2HS 10GR	N/A	N/A	W-301-SS GREEN (10)
G382A052POP	PS 300 2T3 EH 20 GR	AS-142A-OS-GR (20)	N/A	C1200-2HS 20GR	N/A	N/A	W-301-SS GREEN (20)
G382KO1POP	N/A	AS-142-KO-GR (10)	N/A	N/A	P3000 KO 10GR	N/A	W-300-KO GREEN (10)
G382KO2POP	N/A	AS-142-KO-GR (20)	N/A	N/A	P3000 KO 20GR	N/A	W-300-KO GREEN (20)

YELLOW ZINC (GOLD) » G382 – 1 3/8" X 1 5/8"

G-STRUT®	POWER/ATKORE	PUPCO	SASCO	SUPERSTRUT/ ABB	UNISTRUT/ATKORE	VERSABAR/ZSI	WESANCO/ZSI
G3821YZ	PS 300 10 ZD	AS-142-GD (10)	N/A	-	N/A	N/A	-
G3822YZ	PS 300 20 ZD	AS-142-GD (20)	N/A	-	N/A	N/A	-
G382H1YZ	PS 300 H 10 ZD	AS-142-RS-GD (10)	N/A	-	N/A	N/A	-
G382H2YZ	PS 300 H 20 ZD	AS-142-RS-GD (20)	N/A	-	N/A	N/A	-
G382O51YZ	PS 300 EH 10 ZD	AS-142-OS-GD (10)	N/A	-	N/A	N/A	-
G382O52YZ	PS 300 EH 20 ZD	AS-142-OS-GD (20)	N/A	-	N/A	N/A	-
G382L51YZ	PS 300 S 10 ZD	AS-142-SL-GD (10)	N/A	-	N/A	N/A	-
G382L52YZ	PS 300 S 20 ZD	AS-142-SL-GD (20)	N/A	-	N/A	N/A	-
G382A1YZ	PS 300 2T3 10 ZD	AS-142A-GD (10)	N/A	-	N/A	N/A	-
G382A2YZ	PS 300 2T3 20 ZD	AS-142A-GD (20)	N/A	-	N/A	N/A	-
G382A051YZ	PS 300 2T3 EH 10 ZD	AS-142A-OS-GD (10)	N/A	-	N/A	N/A	-
G382A052YZ	PS 300 2T3 EH 20 ZD	AS-142A-OS-GD (20)	N/A	-	N/A	N/A	-
G382KO1YZ	N/A	AS-142-KO-GD (10)	N/A	-	N/A	N/A	-
G382KO2YZ	N/A	AS-142-KO-GD (20)	N/A	-	N/A	N/A	-

GALVANNEALED WIZCOAT™ » G382 – 1 3/8" X 1 5/8"

G-STRUT®	POWER/ATKORE	PUPCO	SASCO	SUPERSTRUT/ ABB	UNISTRUT/ATKORE	VERSABAR/ZSI	WESANCO/ZSI
G3821GN	N/A	N/A	N/A	N/A	N/A	N/A	N/A
G3822GN	N/A	N/A	N/A	N/A	N/A	N/A	N/A
G382H1GN	N/A	N/A	N/A	N/A	N/A	N/A	N/A
G382H2GN	N/A	N/A	N/A	N/A	N/A	N/A	N/A
G382O51GN	N/A	N/A	N/A	N/A	N/A	N/A	N/A
G382O52GN	N/A	N/A	N/A	N/A	N/A	N/A	N/A
G382L51GN	N/A	N/A	N/A	N/A	N/A	N/A	N/A
G382L52GN	N/A	N/A	N/A	N/A	N/A	N/A	N/A
G382A1GN	N/A	N/A	N/A	N/A	N/A	N/A	N/A
G382A2GN	N/A	N/A	N/A	N/A	N/A	N/A	N/A
G382A051GN	N/A	N/A	N/A	N/A	N/A	N/A	N/A
G382A052GN	N/A	N/A	N/A	N/A	N/A	N/A	N/A
G382KO1GN	N/A	N/A	N/A	N/A	N/A	N/A	N/A
G382KO2GN	N/A	N/A	N/A	N/A	N/A	N/A	N/A

PLAIN » G382 – 1 3/8" X 1 5/8"

G-STRUT®	POWER/ATKORE	PUPCO	SASCO	SUPERSTRUT/ ABB	UNISTRUT/ATKORE	VERSABAR/ZSI	WESANCO/ZSI
G3821PO	PS 300 10 PL	AS-142-BK (10)	N/A	C1200 10B	P3000 10PL	VA-6 HRPO(10)	W-300 PLAIN (10)
G3822PO	PS 300 20 PL	AS-142-BK (20)	N/A	C1200 20B	P3000 20PL	VA-6 HRPO(20)	W-300 PLAIN (20)
G382H1PO	PS 300 H 10 PL	AS-142-RS-BK (10)	N/A	N/A	P3000 HS 10PL	VA-6P1.87 HRPO(10)	W-300-H PLAIN (10)
G382H2PO	PS 300 H 20 PL	AS-142-RS-BK (20)	N/A	N/A	P3000 HS 20PL	VA-6P1.87 HRPO(20)	W-300-H PLAIN (20)
G382O51PO	PS 300 EH 10 PL	AS-142-OS-BK (10)	N/A	C1200HS 10B	P3000 T 10PL	VA-6PLH HRPO(10)	W-300-SS PLAIN (10)
G382O52PO	PS 300 EH 20 PL	AS-142-OS-BK (20)	N/A	C1200HS 20B	P3000 T 20PL	VA-6PLH HRPO(20)	W-300-SS PLAIN (20)
G382L51PO	PS 300 S 10 PL	AS-142-SL-BK (10)	N/A	N/A	P3000 SL 10PL	VA-6P3S HRPO(10)	W-300-SL PLAIN (10)
G382L52PO	PS 300 S 20 PL	AS-142-SL-BK (20)	N/A	N/A	P3000 SL 20PL	VA-6P3S HRPO(20)	W-300-SL PLAIN (20)
G382A1PO	PS 300 2T3 10 PL	AS-142A-BK (10)	N/A	C1200-2 10B	P3001 10PL	VA-6201 HRPO (10)	W-301 PLAIN (10)
G382A2PO	PS 300 2T3 20 PL	AS-142A-BK (20)	N/A	C1200-2 20B	P3001 20PL	VA-6201 HRPO (10)	W-301 PLAIN (20)
G382A051PO	PS 300 2T3 10 PL	AS-142A-OS-BK (10)	N/A	C1200-2HS 10B	N/A	N/A	W-301-SS PLAIN (10)
G382A052PO	PS 300 2T3 20 PL	AS-142A-OS-BK (20)	N/A	C1200-2HS 20B	N/A	N/A	W-301-SS PLAIN (20)
G382KO1PO	N/A	AS-142-KO-BK (10)	N/A	N/A	P3000 KO 10PL	N/A	W-300-KO PLAIN (10)
G382KO2PO	N/A	AS-142-KO-BK (20)	N/A	N/A	P3000 KO 20PL	N/A	W-300-KO PLAIN (20)

CROSS REFERENCE CHARTS

STRUT INDUSTRY PRODUCT CODES » G382/G382A

1 3/8" X 1 5/8"

HOT-DIPPED GALVANIZED » G382 - 1 3/8" X 1 5/8"

G-STRUT®	ANVIL	B-LINE/EATON	ELITE	ERICO/NVENT	FLEX-STRUT	FLORIDA/ZSI	HAYDON	PHD
G3821HDG	-	B32 HDG 120	N/A	-	FS-300-HG-10	N/A	-	1701 HD (10)
G3822HDG	-	B32 HDG 240	N/A	-	FS-300-HG-20	N/A	-	1702 HD (20)
G382H1HDG	-	B32 H178 HDG 120	N/A	-	FS-300-H-HG-10	N/A	-	1721 HD (10)
G382H2HDG	-	B32 H178 HDG 240	N/A	-	FS-300-H-HG-20	N/A	-	1722 HD (20)
G382O51HDG	-	B32 SH HDG 120	N/A	-	FS-300-SS-HG-10	N/A	-	1711 HD (10)
G382O52HDG	-	B32 SH HDG 240	N/A	-	FS-300-SS-HG-20	N/A	-	1712 HD (20)
G382L51HDG	-	B32 S HDG 120	N/A	-	FS-300-SL-HG-10	N/A	-	1731 HD (10)
G382L52HDG	-	B32 S HDG 240	N/A	-	FS-300-SL-HG-20	N/A	-	1732 HD (20)
G382A1HDG	-	B32A HDG 120	N/A	-	FS-301-HG-10	N/A	-	1701A HD (10)
G382A2HDG	-	B32A HDG 240	N/A	-	FS-301-HG-20	N/A	-	1702A HD (20)
G382A051HDG	-	-	N/A	-	-	N/A	-	1711A HD (10)
G382A052HDG	-	-	N/A	-	-	N/A	-	1712A HD (20)
G382KO1HDG	-	B32 KO6 HDG 120	N/A	-	FS-300-KO-HG-10	N/A	-	1741 HD (10)
G382KO2HDG	-	B32 KO6 HDG 240	N/A	-	FS-300-KO-HG-20	N/A	-	1742 HD (20)

STAINLESS STEEL (GRADE 304) » G382 - 1 3/8" X 1 5/8"

G-STRUT®	ANVIL	B-LINE/EATON	ELITE	ERICO/NVENT	FLEX-STRUT	FLORIDA/ZSI	HAYDON	PHD
G3821SS (304) (N/A)	-	B32 SS4 120	N/A	-	N/A	N/A	H-142-SS X 10	1701 SS304 (10)
G3822SS (304) (N/A)	-	B32 SS4 240	N/A	-	N/A	N/A	H-142-SS X 20	1702 SS304 (20)
G382H1SS (304) (N/A)	-	B32 H178 SS4 120	N/A	-	N/A	N/A	H-142-RS-SS X 10	1721 SS304 (10)
G382H2SS (304) (N/A)	-	B32 H178 SS4 240	N/A	-	N/A	N/A	H-142-RS-SS X 20	1722 SS304 (20)
G382O51SS (304) (N/A)	-	B32 SH SS4 120	N/A	-	N/A	N/A	H-142-OS-SS X 10	1711 SS304 (10)
G382O52SS (304) (N/A)	-	B32 SH SS4 240	N/A	-	N/A	N/A	H-142-OS-SS X 20	1712 SS304 (20)
G382L51SS (304) (N/A)	-	B32 S SS4 120	N/A	-	N/A	N/A	H-142-OS3-SS X 10	1731 SS304 (10)
G382L52SS (304) (N/A)	-	B32 S SS4 240	N/A	-	N/A	N/A	H-142-OS3-SS X 20	1732 SS304 (20)
G382A1SS (304) (N/A)	-	B32A SS4 120	N/A	-	N/A	N/A	H-142-A-SS X 10	1701A SS304 (10)
G382A2SS (304) (N/A)	-	B32A SS4 240	N/A	-	N/A	N/A	H-142-A-SS X 20	1702A SS304 (20)
G382A051SS (304) (N/A)	-	-	N/A	-	N/A	N/A	-	1711A SS304 (10)
G382A052SS (304) (N/A)	-	-	N/A	-	N/A	N/A	-	1712A SS304 (20)
G382KO1SS (304) (N/A)	-	B32 KO6 120	N/A	-	N/A	N/A	H-142-KO-SS X 10	1741 SS304 (10)
G382KO2SS (304) (N/A)	-	B32 KO6 240	N/A	-	N/A	N/A	H-142-KO-SS X 20	1742 SS304 (20)

STAINLESS STEEL (GRADE 316) » G382 - 1 3/8" X 1 5/8"

G-STRUT®	ANVIL	B-LINE/EATON	ELITE	ERICO/NVENT	FLEX-STRUT	FLORIDA/ZSI	HAYDON	PHD
G3821SS (316) (N/A)	-	N/A	N/A	N/A	N/A	N/A	H-142-SS(316) X 10	1701 SS316 (10)
G3822SS (316) (N/A)	-	N/A	N/A	N/A	N/A	N/A	H-142-SS(316) X 20	1702 SS316 (20)
G382H1SS (316) (N/A)	-	N/A	N/A	N/A	N/A	N/A	H-142-RS-SS(316) X 10	1721 SS316 (10)
G382H2SS (316) (N/A)	-	N/A	N/A	N/A	N/A	N/A	H-142-RS-SS(316) X 20	1722 SS316 (20)
G382O51SS (316) (N/A)	-	N/A	N/A	N/A	N/A	N/A	H-142-OS-SS(316) X 10	1711 SS316 (10)
G382O52SS (316) (N/A)	-	N/A	N/A	N/A	N/A	N/A	H-142-OS-SS(316) X 20	1712 SS316 (20)
G382L51SS (316) (N/A)	-	N/A	N/A	N/A	N/A	N/A	H-142-OS3-SS(316) X 10	1731 SS316 (10)
G382L52SS (316) (N/A)	-	N/A	N/A	N/A	N/A	N/A	H-142-OS3-SS(316) X 20	1732 SS316 (20)
G382A1SS (316) (N/A)	-	N/A	N/A	N/A	N/A	N/A	H-142-A-SS(316) X 10	1701A SS316 (10)
G382A2SS (316) (N/A)	-	N/A	N/A	N/A	N/A	N/A	H-142-A-SS(316) X 20	1702A SS316 (20)
G382A051SS (316) (N/A)	-	N/A	N/A	N/A	N/A	N/A	-	1711A SS316 (10)
G382A052SS (316) (N/A)	-	N/A	N/A	N/A	N/A	N/A	-	1712A SS316 (20)
G382KO1SS (316) (N/A)	-	N/A	N/A	N/A	N/A	N/A	H-142-KO-SS(316) X 10	1741 SS316 (10)
G382KO2SS (316) (N/A)	-	N/A	N/A	N/A	N/A	N/A	H-142-KO-SS(316) X 20	1742 SS316 (20)

ALUMINUM » G382 - 1 3/8" X 1 5/8"

G-STRUT®	ANVIL	B-LINE/EATON	ELITE	ERICO/NVENT	FLEX-STRUT	FLORIDA/ZSI	HAYDON	PHD
G3821AL (N/A)	N/A	N/A	N/A	N/A	N/A	N/A	-	1701 AL (10)
G3822AL (N/A)	N/A	N/A	N/A	N/A	N/A	N/A	-	1702 AL (20)
G382H1AL (N/A)	N/A	N/A	N/A	N/A	N/A	N/A	-	1721 AL (10)
G382H2AL (N/A)	N/A	N/A	N/A	N/A	N/A	N/A	-	1722 AL (20)
G382O51AL (N/A)	N/A	N/A	N/A	N/A	N/A	N/A	-	1711 AL (10)
G382O52AL (N/A)	N/A	N/A	N/A	N/A	N/A	N/A	-	1712 AL (20)
G382L51AL (N/A)	N/A	N/A	N/A	N/A	N/A	N/A	-	1731 AL (10)
G382L52AL (N/A)	N/A	N/A	N/A	N/A	N/A	N/A	-	1732 AL (20)
G382A1AL (N/A)	N/A	N/A	N/A	N/A	N/A	N/A	-	1701A AL (10)
G382A2AL (N/A)	N/A	N/A	N/A	N/A	N/A	N/A	-	1702A AL (20)
G382A051AL (N/A)	N/A	N/A	N/A	N/A	N/A	N/A	-	1711A AL (10)
G382A052AL (N/A)	N/A	N/A	N/A	N/A	N/A	N/A	-	1712A AL (20)
G382KO1AL (N/A)	N/A	N/A	N/A	N/A	N/A	N/A	-	1741 AL (10)
G382KO2AL (N/A)	N/A	N/A	N/A	N/A	N/A	N/A	-	1742 AL (20)

PVC COATED » G382 - 1 3/8" X 1 5/8"

G-STRUT®	ANVIL	B-LINE/EATON	ELITE	ERICO/NVENT	FLEX-STRUT	FLORIDA/ZSI	HAYDON	PHD
G3821PVC	-	N/A	N/A	-	N/A	N/A	-	N/A
G3822PVC	-	N/A	N/A	-	N/A	N/A	-	N/A
G382H1PVC	-	N/A	N/A	-	N/A	N/A	-	N/A
G382H2PVC	-	N/A	N/A	-	N/A	N/A	-	N/A
G382O51PVC	-	N/A	N/A	-	N/A	N/A	-	N/A
G382O52PVC	-	N/A	N/A	-	N/A	N/A	-	N/A
G382L51PVC	-	N/A	N/A	-	N/A	N/A	-	N/A
G382L52PVC	-	N/A	N/A	-	N/A	N/A	-	N/A
G382A1PVC	-	N/A	N/A	-	N/A	N/A	-	N/A
G382A2PVC	-	N/A	N/A	-	N/A	N/A	-	N/A
G382A051PVC	-	N/A	N/A	-	N/A	N/A	-	N/A
G382A052PVC	-	N/A	N/A	-	N/A	N/A	-	N/A
G382KO1PVC	-	N/A	N/A	-	N/A	N/A	-	N/A
G382KO2PVC	-	N/A	N/A	-	N/A	N/A	-	N/A

STRUT INDUSTRY PRODUCT CODES » G382/G382A

1 3/8" X 1 5/8"

HOT-DIPPED GALVANIZED » G382 – 1 3/8" X 1 5/8"

G-STRUT®	POWER/ATKORE	PUPCO	SASCO	SUPERSTRUT/ ABB	UNISTRUT/ATKORE	VERSABAR/ZSI	WESANCO/ZSI
G3821HDG	PS 300 10 HG	AS-142-HD (10)	N/A	C1200 10HDG	P3000 10HG	N/A	W-300 HDGAF (10)
G3822HDG	PS 300 20 HG	AS-142-HD (20)	N/A	C1200 20HDG	P3000 20HG	N/A	W-300 HDGAF (20)
G382H1HDG	PS 300 H 10 HG	AS-142-RS-HD (10)	N/A	N/A	P3000 HS 10HG	N/A	W-300-H HDGAF (10)
G382H2HDG	PS 300 H 20 HG	AS-142-RS-HD (20)	N/A	N/A	P3000 HS 20HG	N/A	W-300-H HDGAF (20)
G382O51HDG	PS 300 EH 10 HG	AS-142-OS-HD (10)	N/A	C1200HS 10HDG	P3000 T 10HG	N/A	W-300-SS HDGAF (10)
G382O52HDG	PS 300 EH 20 HG	AS-142-OS-HD (20)	N/A	C1200HS 20HDG	P3000 T 20HG	N/A	W-300-SS HDGAF (20)
G382LS1HDG	PS 300 S 10 HG	AS-142-SL-HD (10)	N/A	N/A	P3000 SL 10HG	N/A	W-300-SL HDGAF (10)
G382LS2HDG	PS 300 S 20 HG	AS-142-SL-HD (20)	N/A	N/A	P3000 SL 20HG	N/A	W-300-SL HDGAF (20)
G382A1HDG	PS 300 2T3 10 HG	AS-142A-HD (10)	N/A	C1200-2 10HDG	P3001 10HG	N/A	W-301 HDGAF (10)
G382A2HDG	PS 300 2T3 20 HG	AS-142A-HD (20)	N/A	C1200-2 20HDG	P3001 20HG	N/A	W-301 HDGAF (20)
G382AOS1HDG	PS 300 2T3 EH 10 HG	AS-142A-OS-HD (10)	N/A	C1200-2HS 10HDG	N/A	N/A	W-301-SS HDGAF (10)
G382AOS2HDG	PS 300 2T3 EH 20 HG	AS-142A-OS-HD (20)	N/A	C1200-2HS 20HDG	N/A	N/A	W-301-SS HDGAF (20)
G382KO1HDG	N/A	AS-142-KO-HD (10)	N/A	N/A	P3000 KO 10HG	N/A	W-300-KO HDGAF (10)
G382KO2HDG	N/A	AS-142-KO-HD (20)	N/A	N/A	P3000 KO 20HG	N/A	W-300-KO HDGAF (20)

STAINLESS STEEL (GRADE 304) » G382 – 1 3/8" X 1 5/8"

G-STRUT®	POWER/ATKORE	PUPCO	SASCO	SUPERSTRUT/ ABB	UNISTRUT/ATKORE	VERSABAR/ZSI	WESANCO/ZSI
G3821SS (304) (N/A)	PS 300 10 SS	AS-142-SS4 (10)	N/A	-	N/A	N/A	N/A
G3822SS (304) (N/A)	PS 300 20 SS	AS-142-SS4 (20)	N/A	-	N/A	N/A	N/A
G382H1SS (304) (N/A)	PS 300 H 10 SS	AS-142-RS-SS4 (10)	N/A	-	N/A	N/A	N/A
G382H2SS (304) (N/A)	PS 300 H 20 SS	AS-142-RS-SS4 (20)	N/A	-	N/A	N/A	N/A
G382O51SS (304) (N/A)	PS 300 EH 10 SS	AS-142-OS-SS4 (10)	N/A	-	N/A	N/A	N/A
G382O52SS (304) (N/A)	PS 300 EH 20 SS	AS-142-OS-SS4 (20)	N/A	-	N/A	N/A	N/A
G382LS1SS (304) (N/A)	PS 300 S 10 SS	AS-142-SL-SS4 (10)	N/A	-	N/A	N/A	N/A
G382LS2SS (304) (N/A)	PS 300 S 20 SS	AS-142-SL-SS4 (20)	N/A	-	N/A	N/A	N/A
G382A1SS (304) (N/A)	PS 300 2T3 10 SS	AS-142A-SS4 (10)	N/A	-	N/A	N/A	N/A
G382A2SS (304) (N/A)	PS 300 2T3 20 SS	AS-142A-SS4 (20)	N/A	-	N/A	N/A	N/A
G382AOS1SS (304) (N/A)	PS 300 2T3 EH 10 SS	AS-142A-OS-SS4 (10)	N/A	-	N/A	N/A	N/A
G382AOS2SS (304) (N/A)	PS 300 2T3 EH 20 SS	AS-142A-OS-SS4 (20)	N/A	-	N/A	N/A	N/A
G382KO1SS (304) (N/A)	N/A	AS-142-KO-SS4 (10)	N/A	-	N/A	N/A	N/A
G382KO2SS (304) (N/A)	N/A	AS-142-KO-SS4 (20)	N/A	-	N/A	N/A	N/A

STAINLESS STEEL (GRADE 316) » G382 – 1 3/8" X 1 5/8"

G-STRUT®	POWER/ATKORE	PUPCO	SASCO	SUPERSTRUT/ ABB	UNISTRUT/ATKORE	VERSABAR/ZSI	WESANCO/ZSI
G3821SS (316) (N/A)	PS 300 10 SS(316)	AS-142-SS6 (10)	N/A	-	N/A	N/A	N/A
G3822SS (316) (N/A)	PS 300 20 SS(316)	AS-142-SS6 (20)	N/A	-	N/A	N/A	N/A
G382H1SS (316) (N/A)	PS 300 H 10 SS(316)	AS-142-RS-SS6 (10)	N/A	-	N/A	N/A	N/A
G382H2SS (316) (N/A)	PS 300 H 20 SS(316)	AS-142-RS-SS6 (20)	N/A	-	N/A	N/A	N/A
G382O51SS (316) (N/A)	PS 300 EH 10 SS(316)	AS-142-OS-SS6 (10)	N/A	-	N/A	N/A	N/A
G382O52SS (316) (N/A)	PS 300 EH 20 SS(316)	AS-142-OS-SS6 (20)	N/A	-	N/A	N/A	N/A
G382LS1SS (316) (N/A)	PS 300 S 10 SS(316)	AS-142-SL-SS6 (10)	N/A	-	N/A	N/A	N/A
G382LS2SS (316) (N/A)	PS 300 S 20 SS(316)	AS-142-SL-SS6 (20)	N/A	-	N/A	N/A	N/A
G382A1SS (316) (N/A)	PS 300 2T3 10 SS(316)	AS-142A-SS6 (10)	N/A	-	N/A	N/A	N/A
G382A2SS (316) (N/A)	PS 300 2T3 20 SS(316)	AS-142A-SS6 (20)	N/A	-	N/A	N/A	N/A
G382AOS1SS (316) (N/A)	PS 300 2T3 EH 10 SS(316)	AS-142A-OS-SS6 (10)	N/A	-	N/A	N/A	N/A
G382AOS2SS (316) (N/A)	PS 300 2T3 EH 20 SS(316)	AS-142A-OS-SS6 (20)	N/A	-	N/A	N/A	N/A
G382KO1SS (316) (N/A)	N/A	AS-142-KO-SS6 (10)	N/A	-	N/A	N/A	N/A
G382KO2SS (316) (N/A)	N/A	AS-142-KO-SS6 (20)	N/A	-	N/A	N/A	N/A

ALUMINUM » G382 – 1 3/8" X 1 5/8"

G-STRUT®	POWER/ATKORE	PUPCO	SASCO	SUPERSTRUT/ ABB	UNISTRUT/ATKORE	VERSABAR/ZSI	WESANCO/ZSI
G3821AL (N/A)	PS 300 10 AL	AS-142-AL (10)	N/A	C1200 10AL	N/A	N/A	N/A
G3822AL (N/A)	PS 300 20 AL	AS-142-AL (20)	N/A	C1200 20AL	N/A	N/A	N/A
G382H1AL (N/A)	PS 300 H 10 AL	AS-142-RS-AL (10)	N/A	N/A	N/A	N/A	N/A
G382H2AL (N/A)	PS 300 H 20 AL	AS-142-RS-AL (20)	N/A	N/A	N/A	N/A	N/A
G382O51AL (N/A)	PS 300 EH 10 AL	AS-142-OS-AL (10)	N/A	C1200HS 10AL	N/A	N/A	N/A
G382O52AL (N/A)	PS 300 EH 20 AL	AS-142-OS-AL (20)	N/A	C1200HS 20AL	N/A	N/A	N/A
G382LS1AL (N/A)	PS 300 S 10 AL	AS-142-SL-AL (10)	N/A	N/A	N/A	N/A	N/A
G382LS2AL (N/A)	PS 300 S 20 AL	AS-142-SL-AL (20)	N/A	N/A	N/A	N/A	N/A
G382A1AL (N/A)	PS 300 2T3 10 AL	AS-142A-AL (10)	N/A	C1200-2 10AL	N/A	N/A	N/A
G382A2AL (N/A)	PS 300 2T3 20 AL	AS-142A-AL (20)	N/A	C1200-2 20AL	N/A	N/A	N/A
G382AOS1AL (N/A)	PS 300 2T3 EH 10 AL	AS-142A-OS-AL (10)	N/A	C1200-2HS 10AL	N/A	N/A	N/A
G382AOS2AL (N/A)	PS 300 2T3 EH 20 AL	AS-142A-OS-AL (20)	N/A	C1200-2HS 20AL	N/A	N/A	N/A
G382KO1AL (N/A)	N/A	AS-142-KO-AL (10)	N/A	N/A	N/A	N/A	N/A
G382KO2AL (N/A)	N/A	AS-142-KO-AL (20)	N/A	N/A	N/A	N/A	N/A

PVC COATED » G382 – 1 3/8" X 1 5/8"

G-STRUT®	POWER/ATKORE	PUPCO	SASCO	SUPERSTRUT/ ABB	UNISTRUT/ATKORE	VERSABAR/ZSI	WESANCO/ZSI
G3821PVC	N/A	AS-142-PVC (10)	N/A	C1200 10PVC	N/A	N/A	-
G3822PVC	N/A	AS-142-PVC (20)	N/A	C1200 20PVC	N/A	N/A	-
G382H1PVC	N/A	AS-142-RS-PVC (10)	N/A	N/A	N/A	N/A	-
G382H2PVC	N/A	AS-142-RS-PVC (20)	N/A	N/A	N/A	N/A	-
G382O51PVC	N/A	AS-142-OS-PVC (10)	N/A	C1200HS 10PVC	N/A	N/A	-
G382O52PVC	N/A	AS-142-OS-PVC (20)	N/A	C1200HS 20PVC	N/A	N/A	-
G382LS1PVC	N/A	AS-142-SL-PVC (10)	N/A	N/A	N/A	N/A	-
G382LS2PVC	N/A	AS-142-SL-PVC (20)	N/A	N/A	N/A	N/A	-
G382A1PVC	N/A	AS-142A-PVC (10)	N/A	C1200-2 10PVC	N/A	N/A	-
G382A2PVC	N/A	AS-142A-PVC (20)	N/A	C1200-2 20PVC	N/A	N/A	-
G382AOS1PVC	N/A	AS-142A-OS-PVC (10)	N/A	C1200-2HS 10PVC	N/A	N/A	-
G382AOS2PVC	N/A	AS-142A-OS-PVC (20)	N/A	C1200-2HS 20PVC	N/A	N/A	-
G382KO1PVC	N/A	AS-142-KO-PVC (10)	N/A	N/A	N/A	N/A	-
G382KO2PVC	N/A	AS-142-KO-PVC (20)	N/A	N/A	N/A	N/A	-

STRUT INDUSTRY PRODUCT CODES » G102

1" X 1 5/8"

PRE-GALVANIZED » G102 - 1" X 1 5/8"

G-STRUT®	ANVIL	B-LINE/EATON	ELITE	ERICO/NVENT	FLEX-STRUT	FLORIDA/ZSI	HAYDON	PHD
G1021	AS 400-PG 10	B42 GALV 120	N/A	N/A	FS-400-PG-10	N/A	H-152-PG X 10	1401 PG (10)
G1022	AS 400-PG 20	B42 GALV 240	N/A	N/A	FS-400-PG-20	N/A	H-152-PG X 20	1402 PG (20)
G102H1	AS 400H-PG 10	B42 H178 GALV 120	N/A	N/A	FS-400-H-PG-10	N/A	H-152-RS-PG X 10	1421 PG (10)
G102H2	AS 400H-PG 20	B42 H178 GALV 240	N/A	N/A	FS-400-H-PG-20	N/A	H-152-RS-PG X 20	1422 PG (20)
G102OS1	AS 400EH-PG 10	B42 SH GALV 120	N/A	N/A	FS-400-SS-PG-10	N/A	H-152-OS-PG X 10	1411 PG (10)
G102OS2	AS 400EH-PG 20	B42 SH GALV 240	N/A	N/A	FS-400-SS-PG-20	N/A	H-152-OS-PG X 20	1412 PG (20)
G102LS1	AS 400S-PG 10	B42 S GALV 120	N/A	N/A	FS-400-SL-PG-10	N/A	H-152-OS3-PG X 10	1431 PG (10)
G102LS2	AS 400S-PG 20	B42 S GALV 240	N/A	N/A	FS-400-SL-PG-20	N/A	H-152-OS3-PG X 20	1432 PG (20)
G102A1	AS 400BTB-PG 10	B42A GALV 120	N/A	N/A	FS-401-PG-10	N/A	H-152-A-PG X 10	1401A PG (10)
G102A2	AS 400BTB-PG 20	B42A GALV 240	N/A	N/A	FS-401-PG-20	N/A	H-152-A-PG X 20	1402A PG (20)
G102AOS1	-	-	N/A	N/A	-	N/A	-	1411A PG (10)
G102AOS2	-	-	N/A	N/A	-	N/A	-	1412A PG (20)
G102KO1	AS 400KO-PG 10	B42 KO6 GALV 120	N/A	N/A	FS-400-KO-PG-10	N/A	H-152-KO-PG X 10	1441 PG (10)
G102KO2	AS 400KO-PG 20	B42 KO6 GALV 240	N/A	N/A	FS-400-KO-PG-20	N/A	H-152-KO-PG X 20	1442 PG (20)

GREEN » G102 - 1" X 1 5/8"

G-STRUT®	ANVIL	B-LINE/EATON	ELITE	ERICO/NVENT	FLEX-STRUT	FLORIDA/ZSI	HAYDON	PHD
G1021POP	AS 400-GR 10	B42 GRN 120	N/A	N/A	FS-400-GR-10	N/A	H-152-GRN X 10	N/A
G1022POP	AS 400-GR 20	B42 GRN 240	N/A	N/A	FS-400-GR-20	N/A	H-152-GRN X 20	N/A
G102H1POP	AS 400H-GR 10	B42 H178 GRN 120	N/A	N/A	FS-400-H-GR-10	N/A	H-152-RS-GRN X 10	N/A
G102H2POP	AS 400H-GR 20	B42 H178 GRN 240	N/A	N/A	FS-400-H-GR-20	N/A	H-152-RS-GRN X 20	N/A
G102OS1POP	AS 400EH-GR 10	B42 SH GRN 120	N/A	N/A	FS-400-SS-GR-10	N/A	H-152-OS-GRN X 10	N/A
G102OS2POP	AS 400EH-GR 20	B42 SH GRN 240	N/A	N/A	FS-400-SS-GR-20	N/A	H-152-OS-GRN X 20	N/A
G102LS1POP	AS 400S-GR 10	B42 S GRN 120	N/A	N/A	FS-400-SL-GR-10	N/A	H-152-OS3-GRN X 10	N/A
G102LS2POP	AS 400S-GR 20	B42 S GRN 240	N/A	N/A	FS-400-SL-GR-20	N/A	H-152-OS3-GRN X 20	N/A
G102A1POP	AS 400BTB-GR 10	B42A GRN 120	N/A	N/A	FS-401-GR-10	N/A	H-152-A-GRN X 10	N/A
G102A2POP	AS 400BTB-GR 20	B42A GRN 240	N/A	N/A	FS-401-GR-20	N/A	H-152-A-GRN X 20	N/A
G102AOS1POP	-	-	N/A	N/A	-	N/A	-	N/A
G102AOS2POP	-	-	N/A	N/A	-	N/A	-	N/A
G102KO1POP	AS 400KO-GR 10	B42 KO6 GRN 120	N/A	N/A	FS-400-KO-GR-10	N/A	H-152-KO-GRN X 10	N/A
G102KO2POP	AS 400KO-GR 20	B42 KO6 GRN 240	N/A	N/A	FS-400-KO-GR-20	N/A	H-152-KO-GRN X 20	N/A

YELLOW ZINC (GOLD) » G102 - 1" X 1 5/8"

G-STRUT®	ANVIL	B-LINE/EATON	ELITE	ERICO/NVENT	FLEX-STRUT	FLORIDA/ZSI	HAYDON	PHD
G1021YZ	-	N/A	N/A	N/A	N/A	N/A	-	N/A
G1022YZ	-	N/A	N/A	N/A	N/A	N/A	-	N/A
G102H1YZ	-	N/A	N/A	N/A	N/A	N/A	-	N/A
G102H2YZ	-	N/A	N/A	N/A	N/A	N/A	-	N/A
G102OS1YZ	-	N/A	N/A	N/A	N/A	N/A	-	N/A
G102OS2YZ	-	N/A	N/A	N/A	N/A	N/A	-	N/A
G102LS1YZ	-	N/A	N/A	N/A	N/A	N/A	-	N/A
G102LS2YZ	-	N/A	N/A	N/A	N/A	N/A	-	N/A
G102A1YZ	-	N/A	N/A	N/A	N/A	N/A	-	N/A
G102A2YZ	-	N/A	N/A	N/A	N/A	N/A	-	N/A
G102AOS1YZ	-	N/A	N/A	N/A	N/A	N/A	-	N/A
G102AOS2YZ	-	N/A	N/A	N/A	N/A	N/A	-	N/A
G102KO1YZ	-	N/A	N/A	N/A	N/A	N/A	-	N/A
G102KO2YZ	-	N/A	N/A	N/A	N/A	N/A	-	N/A

GALVANNEALED WIZCOAT™ » G102 - 1" X 1 5/8"

G-STRUT®	ANVIL	B-LINE/EATON	ELITE	ERICO/NVENT	FLEX-STRUT	FLORIDA/ZSI	HAYDON	PHD
G1021GN	N/A	N/A	N/A	N/A	N/A	N/A	N/A	N/A
G1022GN	N/A	N/A	N/A	N/A	N/A	N/A	N/A	N/A
G102H1GN	N/A	N/A	N/A	N/A	N/A	N/A	N/A	N/A
G102H2GN	N/A	N/A	N/A	N/A	N/A	N/A	N/A	N/A
G102OS1GN	N/A	N/A	N/A	N/A	N/A	N/A	N/A	N/A
G102OS2GN	N/A	N/A	N/A	N/A	N/A	N/A	N/A	N/A
G102LS1GN	N/A	N/A	N/A	N/A	N/A	N/A	N/A	N/A
G102LS2GN	N/A	N/A	N/A	N/A	N/A	N/A	N/A	N/A
G102A1GN	N/A	N/A	N/A	N/A	N/A	N/A	N/A	N/A
G102A2GN	N/A	N/A	N/A	N/A	N/A	N/A	N/A	N/A
G102AOS1GN	N/A	N/A	N/A	N/A	N/A	N/A	N/A	N/A
G102AOS2GN	N/A	N/A	N/A	N/A	N/A	N/A	N/A	N/A
G102KO1GN	N/A	N/A	N/A	N/A	N/A	N/A	N/A	N/A
G102KO2GN	N/A	N/A	N/A	N/A	N/A	N/A	N/A	N/A

PLAIN » G102 - 1" X 1 5/8"

G-STRUT®	ANVIL	B-LINE/EATON	ELITE	ERICO/NVENT	FLEX-STRUT	FLORIDA/ZSI	HAYDON	PHD
G1021PO	AS 400-PL 10	B42 PLN 120	N/A	N/A	FS-400-PL-10	N/A	H-152-PL X 10	1401 PL (10)
G1022PO	AS 400-PL 20	B42 PLN 240	N/A	N/A	FS-400-PL-20	N/A	H-152-PL X 20	1402 PL (20)
G102H1PO	AS 400H-PL 10	B42 H178 PLN 120	N/A	N/A	FS-400-H-PL-10	N/A	H-152-RS-PL X 10	1421 PL (10)
G102H2PO	AS 400H-PL 20	B42 H178 PLN 240	N/A	N/A	FS-400-H-PL-20	N/A	H-152-RS-PL X 20	1422 PL (20)
G102OS1PO	AS 400EH-PL 10	B42 SH PLN 120	N/A	N/A	FS-400-SS-PL-10	N/A	H-152-OS-PL X 10	1411PL (10)
G102OS2PO	AS 400EH-PL 20	B42 SH PLN 240	N/A	N/A	FS-400-SS-PL-20	N/A	H-152-OS-PL X 20	1412 PL (20)
G102LS1PO	AS 400S-PL 10	B42 S PLN 120	N/A	N/A	FS-400-SL-PL-10	N/A	H-152-OS3-PL X 10	1431 PL (10)
G102LS2PO	AS 400S-PL 20	B42 S PLN 240	N/A	N/A	FS-400-SL-PL-20	N/A	H-152-OS3-PL X 20	1432 PL (20)
G102A1PO	AS 400BTB-PL 10	B42A PLN 120	N/A	N/A	FS-401-PL-10	N/A	H-152-A-PL X 10	1401A PL (10)
G102A2PO	AS 400BTB-PL 20	B42A PLN 240	N/A	N/A	FS-401-PL-20	N/A	H-152-A-PL X 20	1402A PL (20)
G102AOS1PO	-	-	N/A	N/A	-	N/A	-	1411A PL (10)
G102AOS2PO	-	-	N/A	N/A	-	N/A	-	1412A PL (20)
G102KO1PO	AS 400KO-PL 10	B42 KO6 PLN 120	N/A	N/A	FS-400-KO-PL-10	N/A	H-152-KO-PL X 10	1441 PL (10)
G102KO2PO	AS 400KO-PL 20	B42 KO6 PLN 240	N/A	N/A	FS-400-KO-PL-20	N/A	H-152-KO-PL X 20	1442 PL (20)

STRUT INDUSTRY PRODUCT CODES » G102

1" X 1 5/8"

PRE-GALVANIZED » G102 – 1" X 1 5/8"

G-STRUT®	POWER/ATKORE	PUPCO	SASCO	SUPERSTRUT/ ABB	UNISTRUT/ATKORE	VERSABAR/ZSI	WESANCO/ZSI
G1021	PS 400 10 PG	AS-152-PG (10)	S5G (10)	N/A	N/A	VA-10 EG (10)	W-800 PRE-GALV (10)
G1022	PS 400 20 PG	AS-152-PG (20)	S5G (20)	N/A	N/A	VA-10 EG (20)	W-800 PRE-GALV (20)
G102H1	PS 400 H 10 PG	AS-152-RS-PG (10)	S5H12G (10)	N/A	N/A	VA-10P1.87 EG (10)	W-800-H PRE-GALV (10)
G102H2	PS 400 H 20 PG	AS-152-RS-PG (20)	S5H12G (20)	N/A	N/A	VA-10P1.87 EG (20)	W-800-H PRE-GALV (20)
G102OS1	PS 400 EH 10 PG	AS-152-OS-PG (10)	S5SL2G (10)	N/A	N/A	VA-10PLH EG (10)	W-800-SS PRE-GALV (10)
G102OS2	PS 400 EH 20 PG	AS-152-OS-PG (20)	S5SL2G (20)	N/A	N/A	VA-10PLH EG (20)	W-800-SS PRE-GALV (20)
G102LS1	PS 400 S 10 PG	AS-152-SL-PG (10)	S5SL4G (10)	N/A	N/A	VA-10P3S EG (10)	W-800-SL PRE-GALV (10)
G102LS2	PS 400 S 20 PG	AS-152-SL-PG (20)	S5SL4G (20)	N/A	N/A	VA-10P3S EG (20)	W-800-SL PRE-GALV (20)
G102A1	PS 400 2T3 10 PG	AS-152A-PG (10)	S5BB-G (10)	N/A	N/A	VA-10201 EG (10)	W-801 PRE-GALV (10)
G102A2	PS 400 2T3 20 PG	AS-152A-PG (20)	S5BB-G (20)	N/A	N/A	VA-10201 EG (20)	W-801 PRE-GALV (20)
G102AOS1	N/A	AS-152A-OS-PG (10)	-	N/A	N/A	N/A	W-801-SS PRE-GALV (10)
G102AOS2	N/A	AS-152A-OS-PG (20)	-	N/A	N/A	N/A	W-801-SS PRE-GALV (20)
G102KO1	N/A	AS-152-KO-PG (10)	S5KO6G (10)	N/A	N/A	N/A	W-800-KO PRE-GALV (10)
G102KO2	N/A	AS-152-KO-PG (20)	S5KO6G (20)	N/A	N/A	N/A	W-800-KO PRE-GALV (20)

GREEN » G102 – 1" X 1 5/8"

G-STRUT®	POWER/ATKORE	PUPCO	SASCO	SUPERSTRUT/ ABB	UNISTRUT/ATKORE	VERSABAR/ZSI	WESANCO/ZSI
G1021POP	PS 400 10 GR	AS-152-GR (10)	-	N/A	N/A	VA-10 GR(10)	W-800 GREEN (10)
G1022POP	PS 400 20 GR	AS-152-GR (20)	-	N/A	N/A	VA-10 GR(20)	W-800 GREEN (20)
G102H1POP	PS 400 H 10 GR	AS-152-RS-GR (10)	-	N/A	N/A	VA-10P1.87 GR(10)	W-800-H GREEN (10)
G102H2POP	PS 400 H 20 GR	AS-152-RS-GR (20)	-	N/A	N/A	VA-10P1.87 GR(20)	W-800-H GREEN (20)
G102OS1POP	PS 400 EH 10 GR	AS-152-OS-GR (10)	-	N/A	N/A	VA-10PLH GR(10)	W-800-SS GREEN (10)
G102OS2POP	PS 400 EH 20 GR	AS-152-OS-GR (20)	-	N/A	N/A	VA-10PLH GR(20)	W-800-SS GREEN (20)
G102LS1POP	PS 400 S 10 GR	AS-152-SL-GR (10)	-	N/A	N/A	VA-10P3S GR(10)	W-800-SL GREEN (10)
G102LS2POP	PS 400 S 20 GR	AS-152-SL-GR (20)	-	N/A	N/A	VA-10P3S GR(20)	W-800-SL GREEN (20)
G102A1POP	PS 400 2T3 10 GR	AS-152A-GR (10)	-	N/A	N/A	VA-10201 GR(10)	W-801 GREEN (10)
G102A2POP	PS 400 2T3 20 GR	AS-152A-GR (20)	-	N/A	N/A	VA-10201 GR(20)	W-801 GREEN (20)
G102AOS1POP	N/A	AS-152A-OS-GR (10)	-	N/A	N/A	N/A	W-801-SS GREEN (10)
G102AOS2POP	N/A	AS-152A-OS-GR (20)	-	N/A	N/A	N/A	W-801-SS GREEN (20)
G102KO1POP	N/A	AS-152-KO-GR (10)	-	N/A	N/A	N/A	W-800-KO GREEN (10)
G102KO2POP	N/A	AS-152-KO-GR (20)	-	N/A	N/A	N/A	W-800-KO GREEN (20)

YELLOW ZINC (GOLD) » G102 – 1" X 1 5/8"

G-STRUT®	POWER/ATKORE	PUPCO	SASCO	SUPERSTRUT/ ABB	UNISTRUT/ATKORE	VERSABAR/ZSI	WESANCO/ZSI
G1021YZ	PS 400 10 ZD	AS-152-GD (10)	-	N/A	N/A	N/A	-
G1022YZ	PS 400 20 ZD	AS-152-GD (20)	-	N/A	N/A	N/A	-
G102H1YZ	PS 400 H 10 ZD	AS-152-RS-GD (10)	-	N/A	N/A	N/A	-
G102H2YZ	PS 400 H 20 ZD	AS-152-RS-GD (20)	-	N/A	N/A	N/A	-
G102OS1YZ	PS 400 EH 10 ZD	AS-152-OS-GD (10)	-	N/A	N/A	N/A	-
G102OS2YZ	PS 400 EH 20 ZD	AS-152-OS-GD (20)	-	N/A	N/A	N/A	-
G102LS1YZ	PS 400 S 10 ZD	AS-152-SL-GD (10)	-	N/A	N/A	N/A	-
G102LS2YZ	PS 400 S 20 ZD	AS-152-SL-GD (20)	-	N/A	N/A	N/A	-
G102A1YZ	PS 400 2T3 10 ZD	AS-152A-GD (10)	-	N/A	N/A	N/A	-
G102A2YZ	PS 400 2T3 20 ZD	AS-152A-GD (20)	-	N/A	N/A	N/A	-
G102AOS1YZ	N/A	AS-152A-OS-GD (10)	-	N/A	N/A	N/A	-
G102AOS2YZ	N/A	AS-152A-OS-GD (20)	-	N/A	N/A	N/A	-
G102KO1YZ	N/A	AS-152-KO-GD (10)	-	N/A	N/A	N/A	-
G102KO2YZ	N/A	AS-152-KO-GD (20)	-	N/A	N/A	N/A	-

GALVANNEALED WIZCOAT™ » G102 – 1" X 1 5/8"

G-STRUT®	POWER/ATKORE	PUPCO	SASCO	SUPERSTRUT/ ABB	UNISTRUT/ATKORE	VERSABAR/ZSI	WESANCO/ZSI
G1021GN	N/A	N/A	N/A	N/A	N/A	N/A	N/A
G1022GN	N/A	N/A	N/A	N/A	N/A	N/A	N/A
G102H1GN	N/A	N/A	N/A	N/A	N/A	N/A	N/A
G102H2GN	N/A	N/A	N/A	N/A	N/A	N/A	N/A
G102OS1GN	N/A	N/A	N/A	N/A	N/A	N/A	N/A
G102OS2GN	N/A	N/A	N/A	N/A	N/A	N/A	N/A
G102LS1GN	N/A	N/A	N/A	N/A	N/A	N/A	N/A
G102LS2GN	N/A	N/A	N/A	N/A	N/A	N/A	N/A
G102A1GN	N/A	N/A	N/A	N/A	N/A	N/A	N/A
G102A2GN	N/A	N/A	N/A	N/A	N/A	N/A	N/A
G102AOS1GN	N/A	N/A	N/A	N/A	N/A	N/A	N/A
G102AOS2GN	N/A	N/A	N/A	N/A	N/A	N/A	N/A
G102KO1GN	N/A	N/A	N/A	N/A	N/A	N/A	N/A
G102KO2GN	N/A	N/A	N/A	N/A	N/A	N/A	N/A

PLAIN » G102 – 1" X 1 5/8"

G-STRUT®	POWER/ATKORE	PUPCO	SASCO	SUPERSTRUT/ ABB	UNISTRUT/ATKORE	VERSABAR/ZSI	WESANCO/ZSI
G1021PO	PS 400 10 PL	AS-152-BK (10)	SSP (10)	N/A	N/A	N/A	N/A
G1022PO	PS 400 20 PL	AS-152-BK (20)	SSP (20)	N/A	N/A	VA-10 HRPO(20)	W-800 PLAIN (20)
G102H1PO	PS 400 H 10 PL	AS-152-RS-BK (10)	S5H12P (10)	N/A	N/A	VA-10P1.87 HRPO(10)	W-800-H PLAIN (10)
G102H2PO	PS 400 H 20 PL	AS-152-RS-BK (20)	S5H12P (20)	N/A	N/A	VA-10P1.87 HRPO(20)	W-800-H PLAIN (20)
G102OS1PO	PS 400 EH 10 PL	AS-152-OS-BK (10)	S5SL2P (10)	N/A	N/A	VA-10PLH HRPO(10)	W-800-SS PLAIN (10)
G102OS2PO	PS 400 EH 20 PL	AS-152-OS-BK (20)	S5SL2P (20)	N/A	N/A	VA-10PLH HRPO(20)	W-800-SS PLAIN (20)
G102LS1PO	PS 400 S 10 PL	AS-152-SL-BK (10)	S5SL4P (10)	N/A	N/A	VA-10P3S HRPO(10)	W-800-SL PLAIN (10)
G102LS2PO	PS 400 S 20 PL	AS-152-SL-BK (20)	S5SL4P (20)	N/A	N/A	VA-10P3S HRPO(20)	W-800-SL PLAIN (20)
G102A1PO	PS 400 2T3 10 PL	AS-152A-BK (10)	S5BB-P (10)	N/A	N/A	VA-10201 HRPO (10)	W-801 PLAIN (10)
G102A2PO	PS 400 2T3 20 PL	AS-152A-BK (20)	S5BB-P (20)	N/A	N/A	VA-10201 HRPO (10)	W-801 PLAIN (20)
G102AOS1PO	N/A	AS-152A-OS-BK (10)	N/A	N/A	N/A	N/A	W-801-SS PLAIN (10)
G102AOS2PO	N/A	AS-152A-OS-BK (20)	N/A	N/A	N/A	N/A	W-801-SS PLAIN (20)
G102KO1PO	N/A	AS-152-KO-BK (10)	S5KO6P (10)	N/A	N/A	N/A	W-800-KO PLAIN (10)
G102KO2PO	N/A	AS-152-KO-BK (20)	S5KO6P (20)	N/A	N/A	N/A	W-800-KO PLAIN (20)

STRUT INDUSTRY PRODUCT CODES » G102

1" X 1 5/8"

HOT-DIPPED GALVANIZED » G102 – 1" X 1 5/8"

G-STRUT®	ANVIL	B-LINE/EATON	ELITE	ERICO/NVENT	FLEX-STRUT	FLORIDA/ZSI	HAYDON	PHD
G1021HDG	-	B42 HDG 120	N/A	N/A	FS-400-HG-10	N/A	-	1401 HD (10)
G1022HDG	-	B42 HDG 240	N/A	N/A	FS-400-HG-20	N/A	-	1402 HD (20)
G102H1HDG	-	B42 H178 HDG 120	N/A	N/A	FS-400-H-HG-10	N/A	-	1421 HD (10)
G102H2HDG	-	B42 H178 HDG 240	N/A	N/A	FS-400-H-HG-20	N/A	-	1422 HD (20)
G1020S1HDG	-	B42 SH HDG 120	N/A	N/A	FS-400-SS-HG-10	N/A	-	1411 HD (10)
G1020S2HDG	-	B42 SH HDG 240	N/A	N/A	FS-400-SS-HG-20	N/A	-	1412 HD (20)
G102LS1HDG	-	B42 S HDG 120	N/A	N/A	FS-400-SL-HG-10	N/A	-	1431 HD (10)
G102LS2HDG	-	B42 S HDG 240	N/A	N/A	FS-400-SL-HG-20	N/A	-	1432 HD (20)
G102A1HDG	-	B42A HDG 120	N/A	N/A	FS-401-HG-10	N/A	-	1401A HD (10)
G102A2HDG	-	B42A HDG 240	N/A	N/A	FS-401-HG-20	N/A	-	1402A HD (20)
G102A0S1HDG	-	-	N/A	N/A	-	N/A	-	1411A HD (10)
G102A0S2HDG	-	-	N/A	N/A	-	N/A	-	1412A HD (20)
G102KO1HDG	-	B42 KO6 HDG 120	N/A	N/A	FS-400-KO-HG-10	N/A	-	1441 HD (10)
G102KO2HDG	-	B42 KO6 HDG 240	N/A	N/A	FS-400-KO-HG-20	N/A	-	1442 HD (20)

STAINLESS STEEL (GRADE 304) » G102 – 1" X 1 5/8"

G-STRUT®	ANVIL	B-LINE/EATON	ELITE	ERICO/NVENT	FLEX-STRUT	FLORIDA/ZSI	HAYDON	PHD
G1021SS (N/A)	-	B42 SS4 120	N/A	N/A	FS-400-ST4-10	N/A	H-152-SS X 10	1401 SS304 (10)
G1022SS (N/A)	-	B42 SS4 240	N/A	N/A	FS-400-ST4-20	N/A	H-152-SS X 20	1402 SS304 (20)
G102H1SS (N/A)	-	B42 H178 SS4 120	N/A	N/A	FS-400-H-ST4-10	N/A	H-152-RS-SS X 10	1421 SS304 (10)
G102H2SS (N/A)	-	B42 H178 SS4 240	N/A	N/A	FS-400-H-ST4-20	N/A	H-152-RS-SS X 20	1422 SS304 (20)
G1020S1SS (N/A)	-	B42 SH SS4 120	N/A	N/A	FS-400-SS-ST4-10	N/A	H-152-OS-SS X 10	1411 SS304 (10)
G1020S2SS (N/A)	-	B42 SH SS4 240	N/A	N/A	FS-400-SS-ST4-20	N/A	H-152-OS-SS X 20	1412 SS304 (20)
G102LS1SS (N/A)	-	B42 S SS4 120	N/A	N/A	FS-400-SL-ST4-10	N/A	H-152-OS3-SS X 10	1431 SS304 (10)
G102LS2SS (N/A)	-	B42 S SS4 240	N/A	N/A	FS-400-SL-ST4-20	N/A	H-152-OS3-SS X 20	1432 SS304 (20)
G102A1SS (N/A)	-	B42A SS4 120	N/A	N/A	FS-401-ST4-10	N/A	H-152-A-SS X 10	1401A SS304 (10)
G102A2SS (N/A)	-	B42A SS4 240	N/A	N/A	FS-401-ST4-20	N/A	H-152-A-SS X 20	1402A SS304 (20)
G102A0S1SS (N/A)	-	-	N/A	N/A	-	N/A	-	1411A SS304 (10)
G102A0S2SS (N/A)	-	-	N/A	N/A	-	N/A	-	1412A SS304 (20)
G102KO1SS (N/A)	-	B42 KO6 SS4 120	N/A	N/A	FS-400-KO-ST4-10	N/A	H-152-KO-SS X 10	1441 SS304 (10)
G102KO2SS (N/A)	-	B42 KO6 SS4 240	N/A	N/A	FS-400-KO-ST4-20	N/A	H-152-KO-SS X 20	1442 SS304 (20)

STAINLESS STEEL (GRADE 316) » G102 – 1" X 1 5/8"

G-STRUT®	ANVIL	B-LINE/EATON	ELITE	ERICO/NVENT	FLEX-STRUT	FLORIDA/ZSI	HAYDON	PHD
G1021SS6 (N/A)	-	N/A	N/A	N/A	N/A	N/A	H-152-SS(316) X 10	1401 SS316 (10)
G1022SS6 (N/A)	-	N/A	N/A	N/A	N/A	N/A	H-152-SS(316) X 20	1402 SS316 (20)
G102H1SS6 (N/A)	-	N/A	N/A	N/A	N/A	N/A	H-152-RS-SS(316) X 10	1421 SS316 (10)
G102H2SS6 (N/A)	-	N/A	N/A	N/A	N/A	N/A	H-152-RS-SS(316) X 20	1422 SS316 (20)
G1020S1SS6 (N/A)	-	N/A	N/A	N/A	N/A	N/A	H-152-OS-SS(316) X 10	1411 SS316 (10)
G1020S2SS6 (N/A)	-	N/A	N/A	N/A	N/A	N/A	H-152-OS-SS(316) X 20	1412 SS316 (20)
G102LS1SS6 (N/A)	-	N/A	N/A	N/A	N/A	N/A	H-152-OS3-SS(316) X 10	1431 SS316 (10)
G102LS2SS6 (N/A)	-	N/A	N/A	N/A	N/A	N/A	H-152-OS3-SS(316) X 20	1432 SS316 (20)
G102A1SS6 (N/A)	-	N/A	N/A	N/A	N/A	N/A	H-152-A-SS(316) X 10	1401A SS316 (10)
G102A2SS6 (N/A)	-	N/A	N/A	N/A	N/A	N/A	H-152-A-SS(316) X 20	1402A SS316 (20)
G102A0S1SS6 (N/A)	-	N/A	N/A	N/A	N/A	N/A	-	1411A SS316 (10)
G102A0S2SS6 (N/A)	-	N/A	N/A	N/A	N/A	N/A	-	1412A SS316 (20)
G102KO1SS6 (N/A)	-	N/A	N/A	N/A	N/A	N/A	H-152-KO-SS(316) X 10	1441 SS316 (10)
G102KO2SS6 (N/A)	-	N/A	N/A	N/A	N/A	N/A	H-152-KO-SS(316) X 20	1442 SS316 (20)

ALUMINUM » G102 – 1" X 1 5/8"

G-STRUT®	ANVIL	B-LINE/EATON	ELITE	ERICO/NVENT	FLEX-STRUT	FLORIDA/ZSI	HAYDON	PHD
G1021AL (N/A)	-	N/A	N/A	N/A	FS-400-AL-10	N/A	-	1401 AL (10)
G1022AL (N/A)	-	N/A	N/A	N/A	FS-400-AL-20	N/A	-	1402 AL (20)
G102H1AL (N/A)	-	N/A	N/A	N/A	FS-400-H-AL-10	N/A	-	1421 AL (10)
G102H2AL (N/A)	-	N/A	N/A	N/A	FS-400-H-AL-20	N/A	-	1422 AL (20)
G1020S1AL (N/A)	-	N/A	N/A	N/A	FS-400-SS-AL-10	N/A	-	1411 AL (10)
G1020S2AL (N/A)	-	N/A	N/A	N/A	FS-400-SS-AL-20	N/A	-	1412 AL (20)
G102LS1AL (N/A)	-	N/A	N/A	N/A	FS-400-SL-AL-10	N/A	-	1431 AL (10)
G102LS2AL (N/A)	-	N/A	N/A	N/A	FS-400-SL-AL-20	N/A	-	1432 AL (20)
G102A1AL (N/A)	-	N/A	N/A	N/A	FS-401-AL-10	N/A	-	1401A AL (10)
G102A2AL (N/A)	-	N/A	N/A	N/A	FS-401-AL-20	N/A	-	1402A AL (20)
G102A0S1AL (N/A)	-	N/A	N/A	N/A	-	N/A	-	1411A AL (10)
G102A0S2AL (N/A)	-	N/A	N/A	N/A	-	N/A	-	1412A AL (20)
G102KO1AL (N/A)	-	N/A	N/A	N/A	FS-400-KO-AL-10	N/A	-	1441 AL (10)
G102KO2AL (N/A)	-	N/A	N/A	N/A	FS-400-KO-AL-20	N/A	-	1442 AL (20)

PVC COATED » G102 – 1" X 1 5/8"

G-STRUT®	ANVIL	B-LINE/EATON	ELITE	ERICO/NVENT	FLEX-STRUT	FLORIDA/ZSI	HAYDON	PHD
G1021PVC	-	N/A	N/A	N/A	N/A	N/A	-	N/A
G1022PVC	-	N/A	N/A	N/A	N/A	N/A	-	N/A
G102H1PVC	-	N/A	N/A	N/A	N/A	N/A	-	N/A
G102H2PVC	-	N/A	N/A	N/A	N/A	N/A	-	N/A
G1020S1PVC	-	N/A	N/A	N/A	N/A	N/A	-	N/A
G1020S2PVC	-	N/A	N/A	N/A	N/A	N/A	-	N/A
G102LS1PVC	-	N/A	N/A	N/A	N/A	N/A	-	N/A
G102LS2PVC	-	N/A	N/A	N/A	N/A	N/A	-	N/A
G102A1PVC	-	N/A	N/A	N/A	N/A	N/A	-	N/A
G102A2PVC	-	N/A	N/A	N/A	N/A	N/A	-	N/A
G102A0S1PVC	-	N/A	N/A	N/A	N/A	N/A	-	N/A
G102A0S2PVC	-	N/A	N/A	N/A	N/A	N/A	-	N/A
G102KO1PVC	-	N/A	N/A	N/A	N/A	N/A	-	N/A
G102KO2PVC	-	N/A	N/A	N/A	N/A	N/A	-	N/A

STRUT INDUSTRY PRODUCT CODES » G102

1" X 1 5/8"

HOT-DIPPED GALVANIZED » G102 - 1" X 1 5/8"

G-STRUT®	POWER/ATKORE	PUPCO	SASCO	SUPERSTRUT/ ABB	UNISTRUT/ATKORE	VERSABAR/ZSI	WESANCO/ZSI
G1021HDG	PS 400 10 HG	AS-152-HD (10)	S5HG (10)	N/A	N/A	N/A	W-800 HDGAF (20)
G1022HDG	PS 400 20 HG	AS-152-HD (20)	S5HG (20)	N/A	N/A	N/A	W-800-H-HDGAF (10)
G102H1HDG	PS 400 H 10 HG	AS-152-RS-HD (10)	S5H112HG (10)	N/A	N/A	N/A	W-800-H-HDGAF (20)
G102H2HDG	PS 400 H 20 HG	AS-152-RS-HD (20)	S5H112HG (20)	N/A	N/A	N/A	W-800-SS-HDGAF (10)
G102OS1HDG	PS 400 EH 10 HG	AS-152-OS-HD (10)	S5SL2HG (10)	N/A	N/A	N/A	W-800-SS-HDGAF (20)
G102OS2HDG	PS 400 EH 20 HG	AS-152-OS-HD (20)	S5SL2HG (20)	N/A	N/A	N/A	W-800-SL-HDGAF (10)
G102LS1HDG	PS 400 S 10 HG	AS-152-SL-HD (10)	S5SL4HG (10)	N/A	N/A	N/A	W-800-SL-HDGAF (20)
G102LS2HDG	PS 400 S 20 HG	AS-152-SL-HD (20)	S5SL4HG (20)	N/A	N/A	N/A	W-800-SL-HDGAF (20)
G102A1HDG	PS 400 2T3 10 HG	AS-152A-HD (10)	S5BB-HG (10)	N/A	N/A	N/A	W-801 HDGAF (10)
G102A2HDG	PS 400 2T3 20 HG	AS-152A-HD (20)	S5BB-HG (20)	N/A	N/A	N/A	W-801 HDGAF (20)
G102AOS1HDG	N/A	AS-152A-OS-HD (10)	-	N/A	N/A	N/A	W-801-SS HDGAF (10)
G102AOS2HDG	N/A	AS-152A-OS-HD (20)	-	N/A	N/A	N/A	W-801-SS HDGAF (20)
G102KO1HDG	N/A	AS-152-KO-HD (10)	S5KO6HG (10)	N/A	N/A	N/A	W-800-KO HDGAF (10)
G102KO2HDG	N/A	AS-152-KO-HD (20)	S5KO6HG (20)	N/A	N/A	N/A	W-800-KO HDGAF (20)

STAINLESS STEEL (GRADE 304) » G102 - 1" X 1 5/8"

G-STRUT®	POWER/ATKORE	PUPCO	SASCO	SUPERSTRUT/ ABB	UNISTRUT/ATKORE	VERSABAR/ZSI	WESANCO/ZSI
G1021SS (N/A)	PS 400 10 SS	AS-152-SS4 (10)	-	N/A	N/A	N/A	N/A
G1022SS (N/A)	PS 400 20 SS	AS-152-SS4 (20)	-	N/A	N/A	N/A	N/A
G102H1SS (N/A)	PS 400 H 10 SS	AS-152-RS-SS4 (10)	-	N/A	N/A	N/A	N/A
G102H2SS (N/A)	PS 400 H 20 SS	AS-152-RS-SS4 (20)	-	N/A	N/A	N/A	N/A
G102OS1SS (N/A)	PS 400 EH 10 SS	AS-152-OS-SS4 (10)	-	N/A	N/A	N/A	N/A
G102OS2SS (N/A)	PS 400 EH 20 SS	AS-152-OS-SS4 (20)	-	N/A	N/A	N/A	N/A
G102LS1SS (N/A)	PS 400 S 10 SS	AS-152-SL-SS4 (10)	-	N/A	N/A	N/A	N/A
G102LS2SS (N/A)	PS 400 S 20 SS	AS-152-SL-SS4 (20)	-	N/A	N/A	N/A	N/A
G102A1SS (N/A)	PS 400 2T3 10 SS	AS-152A-SS4 (10)	-	N/A	N/A	N/A	N/A
G102A2SS (N/A)	PS 400 2T3 20 SS	AS-152A-SS4 (20)	-	N/A	N/A	N/A	N/A
G102AOS1SS (N/A)	N/A	AS-152A-OS-SS4 (10)	-	N/A	N/A	N/A	N/A
G102AOS2SS (N/A)	N/A	AS-152A-OS-SS4 (20)	-	N/A	N/A	N/A	N/A
G102KO1SS (N/A)	N/A	AS-152-KO-SS4 (10)	-	N/A	N/A	N/A	N/A
G102KO2SS (N/A)	N/A	AS-152-KO-SS4 (20)	-	N/A	N/A	N/A	N/A

STAINLESS STEEL (GRADE 316) » G102 - 1" X 1 5/8"

G-STRUT®	POWER/ATKORE	PUPCO	SASCO	SUPERSTRUT/ ABB	UNISTRUT/ATKORE	VERSABAR/ZSI	WESANCO/ZSI
G1021SS6 (N/A)	PS 400 10 SS(316)	AS-152-SS6 (10)	-	N/A	N/A	N/A	N/A
G1022SS6 (N/A)	PS 400 20 SS(316)	AS-152-SS6 (20)	-	N/A	N/A	N/A	N/A
G102H1SS6 (N/A)	PS 400 H 10 SS(316)	AS-152-RS-SS6 (10)	-	N/A	N/A	N/A	N/A
G102H2SS6 (N/A)	PS 400 H 20 SS(316)	AS-152-RS-SS6 (20)	-	N/A	N/A	N/A	N/A
G102OS1SS6 (N/A)	PS 400 EH 10 SS(316)	AS-152-OS-SS6 (10)	-	N/A	N/A	N/A	N/A
G102OS2SS6 (N/A)	PS 400 EH 20 SS(316)	AS-152-OS-SS6 (20)	-	N/A	N/A	N/A	N/A
G102LS1SS6 (N/A)	PS 400 S 10 SS(316)	AS-152-SL-SS6 (10)	-	N/A	N/A	N/A	N/A
G102LS2SS6 (N/A)	PS 400 S 20 SS(316)	AS-152-SL-SS6 (20)	-	N/A	N/A	N/A	N/A
G102A1SS6 (N/A)	PS 400 2T3 10 SS(316)	AS-152A-SS6 (10)	-	N/A	N/A	N/A	N/A
G102A2SS6 (N/A)	PS 400 2T3 20 SS(316)	AS-152A-SS6 (20)	-	N/A	N/A	N/A	N/A
G102AOS1SS6 (N/A)	N/A	AS-152A-OS-SS6 (10)	-	N/A	N/A	N/A	N/A
G102AOS2SS6 (N/A)	N/A	AS-152A-OS-SS6 (20)	-	N/A	N/A	N/A	N/A
G102KO1SS6 (N/A)	N/A	AS-152-KO-SS6 (10)	-	N/A	N/A	N/A	N/A
G102KO2SS6 (N/A)	N/A	AS-152-KO-SS6 (20)	-	N/A	N/A	N/A	N/A

ALUMINUM » G102 - 1" X 1 5/8"

G-STRUT®	POWER/ATKORE	PUPCO	SASCO	SUPERSTRUT/ ABB	UNISTRUT/ATKORE	VERSABAR/ZSI	WESANCO/ZSI
G1021AL (N/A)	PS 400 10 AL	AS-152-AL (10)	S5AL (10)	N/A	N/A	N/A	N/A
G1022AL (N/A)	PS 400 20 AL	AS-152-AL (20)	S5AL (20)	N/A	N/A	N/A	N/A
G102H1AL (N/A)	PS 400 H 10 AL	AS-152-RS-AL (10)	S5H112AL (10)	N/A	N/A	N/A	N/A
G102H2AL (N/A)	PS 400 H 20 AL	AS-152-RS-AL (20)	S5H112AL (20)	N/A	N/A	N/A	N/A
G102OS1AL (N/A)	PS 400 EH 10 AL	AS-152-OS-AL (10)	S5SL2AL (10)	N/A	N/A	N/A	N/A
G102OS2AL (N/A)	PS 400 EH 20 AL	AS-152-OS-AL (20)	S5SL2AL (20)	N/A	N/A	N/A	N/A
G102LS1AL (N/A)	PS 400 S 10 AL	AS-152-SL-AL (10)	S5SL4AL (10)	N/A	N/A	N/A	N/A
G102LS2AL (N/A)	PS 400 S 20 AL	AS-152-SL-AL (20)	S5SL4AL (20)	N/A	N/A	N/A	N/A
G102A1AL (N/A)	PS 400 2T3 10 AL	AS-152A-AL (10)	S5BB-AL (10)	N/A	N/A	N/A	N/A
G102A2AL (N/A)	PS 400 2T3 20 AL	AS-152A-AL (20)	S5BB-AL (20)	N/A	N/A	N/A	N/A
G102AOS1AL (N/A)	N/A	AS-152A-OS-AL (10)	-	N/A	N/A	N/A	N/A
G102AOS2AL (N/A)	N/A	AS-152A-OS-AL (20)	-	N/A	N/A	N/A	N/A
G102KO1AL (N/A)	N/A	AS-152-KO-AL (10)	S5KO6AL (10)	N/A	N/A	N/A	N/A
G102KO2AL (N/A)	N/A	AS-152-KO-AL (20)	S5KO6AL (20)	N/A	N/A	N/A	N/A

PVC COATED » G102 - 1" X 1 5/8"

G-STRUT®	POWER/ATKORE	PUPCO	SASCO	SUPERSTRUT/ ABB	UNISTRUT/ATKORE	VERSABAR/ZSI	WESANCO/ZSI
G1021PVC	N/A	AS-152-PVC (10)	-	N/A	N/A	N/A	-
G1022PVC	N/A	AS-152-PVC (20)	-	N/A	N/A	N/A	-
G102H1PVC	N/A	AS-152-RS-PVC (10)	-	N/A	N/A	N/A	-
G102H2PVC	N/A	AS-152-RS-PVC (20)	-	N/A	N/A	N/A	-
G102OS1PVC	N/A	AS-152-OS-PVC (10)	-	N/A	N/A	N/A	-
G102OS2PVC	N/A	AS-152-OS-PVC (20)	-	N/A	N/A	N/A	-
G102LS1PVC	N/A	AS-152-SL-PVC (10)	-	N/A	N/A	N/A	-
G102LS2PVC	N/A	AS-152-SL-PVC (20)	-	N/A	N/A	N/A	-
G102A1PVC	N/A	AS-152A-PVC (10)	-	N/A	N/A	N/A	-
G102A2PVC	N/A	AS-152A-PVC (20)	-	N/A	N/A	N/A	-
G102AOS1PVC	N/A	AS-152A-OS-PVC (10)	-	N/A	N/A	N/A	-
G102AOS2PVC	N/A	AS-152A-OS-PVC (20)	-	N/A	N/A	N/A	-
G102KO1PVC	N/A	AS-152-KO-PVC (10)	-	N/A	N/A	N/A	-
G102KO2PVC	N/A	AS-152-KO-PVC (20)	-	N/A	N/A	N/A	-

CROSS REFERENCE CHARTS

STRUT INDUSTRY PRODUCT CODES » G782

7/8" X 1 5/8"

PRE-GALVANIZED » G782 - 7/8" X 1 5/8"

G-STRUT®	ANVIL	B-LINE/EATON	ELITE	ERICO/NVENT	FLEX-STRUT	FLORIDA/ZSI	HAYDON	PHD
G7821	N/A	N/A	N/A	N/A	FS-450-PG-10	N/A	H-172-PG X 10	N/A
G7822	N/A	N/A	N/A	N/A	FS-450-PG-20	N/A	H-172-PG X 20	N/A
G782H1	N/A	N/A	N/A	N/A	FS-450-H-PG-10	N/A	H-172-RS-PG X 10	N/A
G782H2	N/A	N/A	N/A	N/A	FS-450-H-PG-20	N/A	H-172-RS-PG X 20	N/A
G782OS1	N/A	N/A	N/A	N/A	FS-450-SS-PG-10	N/A	H-172-OS-PG X 10	N/A
G782OS2	N/A	N/A	N/A	N/A	FS-450-SS-PG-20	N/A	H-172-OS-PG X 20	N/A
G782LS1	N/A	N/A	N/A	N/A	FS-450-SL-PG-10	N/A	H-172-OS3-PG X 10	N/A
G782LS2	N/A	N/A	N/A	N/A	FS-450-SL-PG-20	N/A	H-172-OS3-PG X 20	N/A
G782A1	N/A	N/A	N/A	N/A	FS-451-PG-10	N/A	H-172-A-PG X 10	N/A
G782A2	N/A	N/A	N/A	N/A	FS-451-PG-20	N/A	H-172-A-PG X 20	N/A
G782AOS1	N/A	N/A	N/A	N/A	-	N/A	-	N/A
G782AOS2	N/A	N/A	N/A	N/A	-	N/A	-	N/A
G782KO1	N/A	N/A	N/A	N/A	FS-450-KO-PG-10	N/A	H-172-KO-PG X 10	N/A
G782KO2	N/A	N/A	N/A	N/A	FS-450-KO-PG-20	N/A	H-172-KO-PG X 20	N/A

GREEN » G782 - 7/8" X 1 5/8"

G-STRUT®	ANVIL	B-LINE/EATON	ELITE	ERICO/NVENT	FLEX-STRUT	FLORIDA/ZSI	HAYDON	PHD
G7821POP	N/A	N/A	N/A	N/A	FS-450-GR-10	N/A	H-172-GRN X 10	N/A
G7822POP	N/A	N/A	N/A	N/A	FS-450-GR-20	N/A	H-172-GRN X 20	N/A
G782H1POP	N/A	N/A	N/A	N/A	FS-450-H-GR-10	N/A	H-172-RS-GRN X 10	N/A
G782H2POP	N/A	N/A	N/A	N/A	FS-450-H-GR-20	N/A	H-172-RS-GRN X 20	N/A
G782OS1POP	N/A	N/A	N/A	N/A	FS-450-SS-GR-10	N/A	H-172-OS-GRN X 10	N/A
G782OS2POP	N/A	N/A	N/A	N/A	FS-450-SS-GR-20	N/A	H-172-OS-GRN X 20	N/A
G782LS1POP	N/A	N/A	N/A	N/A	FS-450-SL-GR-10	N/A	H-172-OS3-GRN X 10	N/A
G782LS2POP	N/A	N/A	N/A	N/A	FS-450-SL-GR-20	N/A	H-172-OS3-GRN X 20	N/A
G782A1POP	N/A	N/A	N/A	N/A	FS-451-GR-10	N/A	H-172-A-GRN X 10	N/A
G782A2POP	N/A	N/A	N/A	N/A	FS-451-GR-20	N/A	H-172-A-GRN X 20	N/A
G782AOS1POP	N/A	N/A	N/A	N/A	-	N/A	-	N/A
G782AOS2POP	N/A	N/A	N/A	N/A	-	N/A	-	N/A
G782KO1POP	N/A	N/A	N/A	N/A	FS-450-KO-GR-10	N/A	H-172-KO-GRN X 10	N/A
G782KO2POP	N/A	N/A	N/A	N/A	FS-450-KO-GR-20	N/A	H-172-KO-GRN X 20	N/A

YELLOW ZINC (GOLD) » G782 - 7/8" X 1 5/8"

G-STRUT®	ANVIL	B-LINE/EATON	ELITE	ERICO/NVENT	FLEX-STRUT	FLORIDA/ZSI	HAYDON	PHD
G7821YZ	N/A	N/A	N/A	N/A	N/A	N/A	-	N/A
G7822YZ	N/A	N/A	N/A	N/A	N/A	N/A	-	N/A
G782H1YZ	N/A	N/A	N/A	N/A	N/A	N/A	-	N/A
G782H2YZ	N/A	N/A	N/A	N/A	N/A	N/A	-	N/A
G782OS1YZ	N/A	N/A	N/A	N/A	N/A	N/A	-	N/A
G782OS2YZ	N/A	N/A	N/A	N/A	N/A	N/A	-	N/A
G782LS1YZ	N/A	N/A	N/A	N/A	N/A	N/A	-	N/A
G782LS2YZ	N/A	N/A	N/A	N/A	N/A	N/A	-	N/A
G782A1YZ	N/A	N/A	N/A	N/A	N/A	N/A	-	N/A
G782A2YZ	N/A	N/A	N/A	N/A	N/A	N/A	-	N/A
G782AOS1YZ	N/A	N/A	N/A	N/A	N/A	N/A	-	N/A
G782AOS2YZ	N/A	N/A	N/A	N/A	N/A	N/A	-	N/A
G782KO1YZ	N/A	N/A	N/A	N/A	N/A	N/A	-	N/A
G782KO2YZ	N/A	N/A	N/A	N/A	N/A	N/A	-	N/A

PLAIN » G782 - 7/8" X 1 5/8"

G-STRUT®	ANVIL	B-LINE/EATON	ELITE	ERICO/NVENT	FLEX-STRUT	FLORIDA/ZSI	HAYDON	PHD
G7821PO	N/A	N/A	N/A	N/A	FS-450-PL-10	N/A	H-172-PL X 10	N/A
G7822PO	N/A	N/A	N/A	N/A	FS-450-PL-20	N/A	H-172-PL X 20	N/A
G782H1PO	N/A	N/A	N/A	N/A	FS-450-H-PL-10	N/A	H-172-RS-PL X 10	N/A
G782H2PO	N/A	N/A	N/A	N/A	FS-450-H-PL-20	N/A	H-172-RS-PL X 20	N/A
G782OS1PO	N/A	N/A	N/A	N/A	FS-450-SS-PL-10	N/A	H-172-OS-PL X 10	N/A
G782OS2PO	N/A	N/A	N/A	N/A	FS-450-SS-PL-20	N/A	H-172-OS-PL X 20	N/A
G782LS1PO	N/A	N/A	N/A	N/A	FS-450-SL-PL-10	N/A	H-172-OS3-PL X 10	N/A
G782LS2PO	N/A	N/A	N/A	N/A	FS-450-SL-PL-20	N/A	H-172-OS3-PL X 20	N/A
G782A1PO	N/A	N/A	N/A	N/A	FS-451-PL-10	N/A	H-172-A-PL X 10	N/A
G782A2PO	N/A	N/A	N/A	N/A	FS-451-PL-20	N/A	H-172-A-PL X 20	N/A
G782AOS1PO	N/A	N/A	N/A	N/A	-	N/A	-	N/A
G782AOS2PO	N/A	N/A	N/A	N/A	-	N/A	-	N/A
G782KO1PO	N/A	N/A	N/A	N/A	FS-450-KO-PL-10	N/A	H-172-KO-PL X 10	N/A
G782KO2PO	N/A	N/A	N/A	N/A	FS-450-KO-PL-20	N/A	H-172-KO-PL X 20	N/A

HOT-DIPPED GALVANIZED » G782 - 7/8" X 1 5/8"

G-STRUT®	ANVIL	B-LINE/EATON	ELITE	ERICO/NVENT	FLEX-STRUT	FLORIDA/ZSI	HAYDON	PHD
G7821HDG	N/A	N/A	N/A	N/A	FS-450-HG-10	N/A	-	N/A
G7822HDG	N/A	N/A	N/A	N/A	FS-450-HG-20	N/A	-	N/A
G782H1HDG	N/A	N/A	N/A	N/A	FS-450-H-HG-10	N/A	-	N/A
G782H2HDG	N/A	N/A	N/A	N/A	FS-450-H-HG-20	N/A	-	N/A
G782OS1HDG	N/A	N/A	N/A	N/A	FS-450-SS-HG-10	N/A	-	N/A
G782OS2HDG	N/A	N/A	N/A	N/A	FS-450-SS-HG-20	N/A	-	N/A
G782LS1HDG	N/A	N/A	N/A	N/A	FS-450-SL-HG-10	N/A	-	N/A
G782LS2HDG	N/A	N/A	N/A	N/A	FS-450-SL-HG-20	N/A	-	N/A
G782A1HDG	N/A	N/A	N/A	N/A	FS-451-HG-10	N/A	-	N/A
G782A2HDG	N/A	N/A	N/A	N/A	FS-451-HG-20	N/A	-	N/A
G782AOS1HDG	N/A	N/A	N/A	N/A	-	N/A	-	N/A
G782AOS2HDG	N/A	N/A	N/A	N/A	-	N/A	-	N/A
G782KO1HDG	N/A	N/A	N/A	N/A	FS-450-KO-HG-10	N/A	-	N/A
G782KO2HDG	N/A	N/A	N/A	N/A	FS-450-KO-HG-20	N/A	-	N/A

STRUT INDUSTRY PRODUCT CODES » G782

7/8" X 1 5/8"

PRE-GALVANIZED » G782 - 7/8" X 1 5/8"

G-STRUT®	POWER/ATKORE	PUPCO	SASCO	SUPERSTRUT/ ABB	UNISTRUT/ATKORE	VERSABAR/ZSI	WESANCO/ZSI
G7821	N/A	AS-172-PG (10)	N/A	N/A	P3300 10PG	N/A	W-900 PRE-GALV (10)
G7822	N/A	AS-172-PG (20)	N/A	N/A	P3300 20PG	N/A	W-900 PRE-GALV (20)
G782H1	N/A	AS-172-RS-PG (10)	N/A	N/A	P3300 HS 10PG	N/A	W-900-H PRE-GALV (10)
G782H2	N/A	AS-172-RS-PG (20)	N/A	N/A	P3300 HS 20PG	N/A	W-900-H PRE-GALV (20)
G782O51	N/A	AS-172-OS-PG (10)	N/A	N/A	P3300 T 10PG	N/A	W-900-SS PRE-GALV (10)
G782O52	N/A	AS-172-OS-PG (20)	N/A	N/A	P3300 T 20PG	N/A	W-900-SS PRE-GALV (20)
G782L51	N/A	AS-172-SL-PG (10)	N/A	N/A	P3300 SL 10PG	N/A	W-900-SL PRE-GALV (10)
G782L52	N/A	AS-172-SL-PG (20)	N/A	N/A	P3300 SL 20PG	N/A	W-900-SL PRE-GALV (20)
G782A1	N/A	AS-172A-PG (10)	N/A	N/A	P3301 10PG	N/A	W-901 PRE-GALV (10)
G782A2	N/A	AS-172A-PG (20)	N/A	N/A	P3301 20PG	N/A	W-901 PRE-GALV (20)
G782A051	N/A	AS-172A-OS-PG (10)	N/A	N/A	N/A	N/A	W-901-SS PRE-GALV (10)
G782A052	N/A	AS-172A-OS-PG (20)	N/A	N/A	N/A	N/A	W-901-SS PRE-GALV (20)
G782K01	N/A	AS-172-KO-PG (10)	N/A	N/A	N/A	N/A	W-900-KO PRE-GALV (10)
G782K02	N/A	AS-172-KO-PG (20)	N/A	N/A	N/A	N/A	W-900-KO PRE-GALV (20)

GREEN » G782 - 7/8" X 1 5/8"

G-STRUT®	POWER/ATKORE	PUPCO	SASCO	SUPERSTRUT/ ABB	UNISTRUT/ATKORE	VERSABAR/ZSI	WESANCO/ZSI
G7821POP	N/A	AS-172-GR (10)	N/A	N/A	P3300 10GR	N/A	W-900 GREEN (10)
G7822POP	N/A	AS-172-GR (20)	N/A	N/A	P3300 20GR	N/A	W-900 GREEN (20)
G782H1POP	N/A	AS-172-RS-GR (10)	N/A	N/A	P3300 HS 10GR	N/A	W-900-H GREEN (10)
G782H2POP	N/A	AS-172-RS-GR (20)	N/A	N/A	P3300 HS 20GR	N/A	W-900-H GREEN (20)
G782O51POP	N/A	AS-172-OS-GR (10)	N/A	N/A	P3300 T 10GR	N/A	W-900-SS GREEN (10)
G782O52POP	N/A	AS-172-OS-GR (20)	N/A	N/A	P3300 T 20GR	N/A	W-900-SS GREEN (20)
G782L51POP	N/A	AS-172-SL-GR (10)	N/A	N/A	P3300 SL 10GR	N/A	W-900-SL GREEN (10)
G782L52POP	N/A	AS-172-SL-GR (20)	N/A	N/A	P3300 SL 20GR	N/A	W-900-SL GREEN (20)
G782A1POP	N/A	AS-172A-GR (10)	N/A	N/A	P3301 10GR	N/A	W-901 GREEN (10)
G782A2POP	N/A	AS-172A-GR (20)	N/A	N/A	P3301 20GR	N/A	W-901 GREEN (20)
G782A051POP	N/A	AS-172A-OS-GR (10)	N/A	N/A	N/A	N/A	W-901-SS GREEN (10)
G782A052POP	N/A	AS-172A-OS-GR (20)	N/A	N/A	N/A	N/A	W-901-SS GREEN (20)
G782K01POP	N/A	AS-172-KO-GR (10)	N/A	N/A	N/A	N/A	W-900-KO GREEN (10)
G782K02POP	N/A	AS-172-KO-GR (20)	N/A	N/A	N/A	N/A	W-900-KO GREEN (20)

YELLOW ZINC (GOLD) » G782 - 7/8" X 1 5/8"

G-STRUT®	POWER/ATKORE	PUPCO	SASCO	SUPERSTRUT/ ABB	UNISTRUT/ATKORE	VERSABAR/ZSI	WESANCO/ZSI
G7821YZ	N/A	AS-172-GD (10)	N/A	N/A	N/A	N/A	-
G7822YZ	N/A	AS-172-GD (20)	N/A	N/A	N/A	N/A	-
G782H1YZ	N/A	AS-172-RS-GD (10)	N/A	N/A	N/A	N/A	-
G782H2YZ	N/A	AS-172-RS-GD (20)	N/A	N/A	N/A	N/A	-
G782O51YZ	N/A	AS-172-OS-GD (10)	N/A	N/A	N/A	N/A	-
G782O52YZ	N/A	AS-172-OS-GD (20)	N/A	N/A	N/A	N/A	-
G782L51YZ	N/A	AS-172-SL-GD (10)	N/A	N/A	N/A	N/A	-
G782L52YZ	N/A	AS-172-SL-GD (20)	N/A	N/A	N/A	N/A	-
G782A1YZ	N/A	AS-172A-GD (10)	N/A	N/A	N/A	N/A	-
G782A2YZ	N/A	AS-172A-GD (20)	N/A	N/A	N/A	N/A	-
G782A051YZ	N/A	AS-172A-OS-GD (10)	N/A	N/A	N/A	N/A	-
G782A052YZ	N/A	AS-172A-OS-GD (20)	N/A	N/A	N/A	N/A	-
G782K01YZ	N/A	AS-172-KO-GD (10)	N/A	N/A	N/A	N/A	-
G782K02YZ	N/A	AS-172-KO-GD (20)	N/A	N/A	N/A	N/A	-

PLAIN » G782 - 7/8" X 1 5/8"

G-STRUT®	POWER/ATKORE	PUPCO	SASCO	SUPERSTRUT/ ABB	UNISTRUT/ATKORE	VERSABAR/ZSI	WESANCO/ZSI
G7821PO	N/A	AS-172-BK (10)	N/A	N/A	P3300 10PL	N/A	W-900 PLAIN (10)
G7822PO	N/A	AS-172-BK (20)	N/A	N/A	P3300 20PL	N/A	W-900 PLAIN (20)
G782H1PO	N/A	AS-172-RS-BK (10)	N/A	N/A	P3300 HS 10PL	N/A	W-900-H PLAIN (10)
G782H2PO	N/A	AS-172-RS-BK (20)	N/A	N/A	P3300 HS 20PL	N/A	W-900-H PLAIN (20)
G782O51PO	N/A	AS-172-OS-BK (10)	N/A	N/A	P3300 T 10PL	N/A	W-900-SS PLAIN (10)
G782O52PO	N/A	AS-172-OS-BK (20)	N/A	N/A	P3300 T 20PL	N/A	W-900-SS PLAIN (20)
G782L51PO	N/A	AS-172-SL-BK (10)	N/A	N/A	P3300 SL 10PL	N/A	W-900-SL PLAIN (10)
G782L52PO	N/A	AS-172-SL-BK (20)	N/A	N/A	P3300 SL 20PL	N/A	W-900-SL PLAIN (20)
G782A1PO	N/A	AS-172A-BK (10)	N/A	N/A	P3301 10PL	N/A	W-901 PLAIN (10)
G782A2PO	N/A	AS-172A-BK (20)	N/A	N/A	P3301 20PL	N/A	W-901 PLAIN (20)
G782A051PO	N/A	AS-172A-OS-BK (10)	N/A	N/A	N/A	N/A	W-901-SS PLAIN (10)
G782A052PO	N/A	AS-172A-OS-BK (20)	N/A	N/A	N/A	N/A	W-901-SS PLAIN (20)
G782K01PO	N/A	AS-172-KO-BK (10)	N/A	N/A	N/A	N/A	W-900-KO PLAIN (10)
G782K02PO	N/A	AS-172-KO-BK (20)	N/A	N/A	N/A	N/A	W-900-KO PLAIN (20)

HOT-DIPPED GALVANIZED » G782 - 7/8" X 1 5/8"

G-STRUT®	POWER/ATKORE	PUPCO	SASCO	SUPERSTRUT/ ABB	UNISTRUT/ATKORE	VERSABAR/ZSI	WESANCO/ZSI
G7821HDG	N/A	AS-172-HD (10)	N/A	N/A	P3300 10HG	N/A	W-900 HDGAF (10)
G7822HDG	N/A	AS-172-HD (20)	N/A	N/A	P3300 20HG	N/A	W-900 HDGAF (20)
G782H1HDG	N/A	AS-172-RS-HD (10)	N/A	N/A	P3300 HS 10HG	N/A	W-900-H HDGAF (10)
G782H2HDG	N/A	AS-172-RS-HD (20)	N/A	N/A	P3300 HS 20HG	N/A	W-900-H HDGAF (20)
G782O51HDG	N/A	AS-172-OS-HD (10)	N/A	N/A	P3300 T 10HG	N/A	W-900-SS HDGAF (10)
G782O52HDG	N/A	AS-172-OS-HD (20)	N/A	N/A	P3300 T 20HG	N/A	W-900-SS HDGAF (20)
G782L51HDG	N/A	AS-172-SL-HD (10)	N/A	N/A	P3300 SL 10HG	N/A	W-900-SL HDGAF (10)
G782L52HDG	N/A	AS-172-SL-HD (20)	N/A	N/A	P3300 SL 20HG	N/A	W-900-SL HDGAF (20)
G782A1HDG	N/A	AS-172A-HD (10)	N/A	N/A	P3301 10HG	N/A	W-901 HDGAF (10)
G782A2HDG	N/A	AS-172A-HD (20)	N/A	N/A	P3301 20HG	N/A	W-901 HDGAF (20)
G782A051HDG	N/A	AS-172A-OS-HD (10)	N/A	N/A	N/A	N/A	W-901-SS HDGAF (10)
G782A052HDG	N/A	AS-172A-OS-HD (20)	N/A	N/A	N/A	N/A	W-901-SS HDGAF (20)
G782K01HDG	N/A	AS-172-KO-HD (10)	N/A	N/A	N/A	N/A	W-900-KO HDGAF (10)
G782K02HDG	N/A	AS-172-KO-HD (20)	N/A	N/A	N/A	N/A	W-900-KO HDGAF (20)

STRUT INDUSTRY PRODUCT CODES » G782

7/8" X 1 5/8"

ALUMINUM » G782 – 7/8" X 1 5/8"

G-STRUT®	ANVIL	B-LINE/EATON	ELITE	ERICO/NVENT	FLEX-STRUT	FLORIDA/ZSI	HAYDON	PHD
G7821AL (N/A)	N/A	N/A	N/A	N/A	N/A	N/A	H-172-AL X 10	N/A
G7822AL (N/A)	N/A	N/A	N/A	N/A	N/A	N/A	H-172-AL X 20	N/A
G782H1AL (N/A)	N/A	N/A	N/A	N/A	N/A	N/A	H-172-RS-AL X 10	N/A
G782H2AL (N/A)	N/A	N/A	N/A	N/A	N/A	N/A	H-172-RS-AL X 20	N/A
G782OS1AL (N/A)	N/A	N/A	N/A	N/A	N/A	N/A	H-172-OS-AL X 10	N/A
G782OS2AL (N/A)	N/A	N/A	N/A	N/A	N/A	N/A	H-172-OS-AL X 20	N/A
G782LS1AL (N/A)	N/A	N/A	N/A	N/A	N/A	N/A	H-172-OS3-AL X 10	N/A
G782LS2AL (N/A)	N/A	N/A	N/A	N/A	N/A	N/A	H-172-OS3-AL X 20	N/A
G782A1AL (N/A)	N/A	N/A	N/A	N/A	N/A	N/A	H-172-A-AL X 10	N/A
G782A2AL (N/A)	N/A	N/A	N/A	N/A	N/A	N/A	H-172-A-AL X 20	N/A
G782AOS1AL (N/A)	N/A	N/A	N/A	N/A	N/A	N/A	-	N/A
G782AOS2AL (N/A)	N/A	N/A	N/A	N/A	N/A	N/A	-	N/A
G782KO1AL (N/A)	N/A	N/A	N/A	N/A	N/A	N/A	H-172-KO-AL X 10	N/A
G782KO2AL (N/A)	N/A	N/A	N/A	N/A	N/A	N/A	H-172-KO-AL X 20	N/A

STAINLESS STEEL (GRADE 304) » G782 – 7/8" X 1 5/8"

G-STRUT®	ANVIL	B-LINE/EATON	ELITE	ERICO/NVENT	FLEX-STRUT	FLORIDA/ZSI	HAYDON	PHD
G7821SS (N/A)	N/A	N/A	N/A	N/A	N/A	N/A	H-172-SS X 10	N/A
G7822SS (N/A)	N/A	N/A	N/A	N/A	N/A	N/A	H-172-SS X 20	N/A
G782H1SS (N/A)	N/A	N/A	N/A	N/A	N/A	N/A	H-172-RS-SS X 10	N/A
G782H2SS (N/A)	N/A	N/A	N/A	N/A	N/A	N/A	H-172-RS-SS X 20	N/A
G782OS1SS (N/A)	N/A	N/A	N/A	N/A	N/A	N/A	H-172-OS-SS X 10	N/A
G782OS2SS (N/A)	N/A	N/A	N/A	N/A	N/A	N/A	H-172-OS-SS X 20	N/A
G782LS1SS (N/A)	N/A	N/A	N/A	N/A	N/A	N/A	H-172-OS3-SS X 10	N/A
G782LS2SS (N/A)	N/A	N/A	N/A	N/A	N/A	N/A	H-172-OS3-SS X 20	N/A
G782A1SS (N/A)	N/A	N/A	N/A	N/A	N/A	N/A	H-172-A-SS X 10	N/A
G782A2SS (N/A)	N/A	N/A	N/A	N/A	N/A	N/A	H-172-A-SS X 20	N/A
G782AOS1SS (N/A)	N/A	N/A	N/A	N/A	N/A	N/A	-	N/A
G782AOS2SS (N/A)	N/A	N/A	N/A	N/A	N/A	N/A	-	N/A
G782KO1SS (N/A)	N/A	N/A	N/A	N/A	N/A	N/A	H-172-KO-SS X 10	N/A
G782KO2SS (N/A)	N/A	N/A	N/A	N/A	N/A	N/A	H-172-KO-SS X 20	N/A

STAINLESS STEEL (GRADE 316) » G782 – 7/8" X 1 5/8"

G-STRUT®	ANVIL	B-LINE/EATON	ELITE	ERICO/NVENT	FLEX-STRUT	FLORIDA/ZSI	HAYDON	PHD
G7821SS6 (N/A)	N/A	N/A	N/A	N/A	N/A	N/A	H-172-SS(316) X 10	N/A
G7822SS6 (N/A)	N/A	N/A	N/A	N/A	N/A	N/A	H-172-SS(316) X 20	N/A
G782H1SS6 (N/A)	N/A	N/A	N/A	N/A	N/A	N/A	H-172-RS-SS(316) X 10	N/A
G782H2SS6 (N/A)	N/A	N/A	N/A	N/A	N/A	N/A	H-172-RS-SS(316) X 20	N/A
G782OS1SS6 (N/A)	N/A	N/A	N/A	N/A	N/A	N/A	H-172-OS-SS(316) X 10	N/A
G782OS2SS6 (N/A)	N/A	N/A	N/A	N/A	N/A	N/A	H-172-OS-SS(316) X 20	N/A
G782LS1SS6 (N/A)	N/A	N/A	N/A	N/A	N/A	N/A	H-172-OS3-SS(316) X 10	N/A
G782LS2SS6 (N/A)	N/A	N/A	N/A	N/A	N/A	N/A	H-172-OS3-SS(316) X 20	N/A
G782A1SS6 (N/A)	N/A	N/A	N/A	N/A	N/A	N/A	H-172-A-SS(316) X 10	N/A
G782A2SS6 (N/A)	N/A	N/A	N/A	N/A	N/A	N/A	H-172-A-SS(316) X 20	N/A
G782AOS1SS6 (N/A)	N/A	N/A	N/A	N/A	N/A	N/A	-	N/A
G782AOS2SS6 (N/A)	N/A	N/A	N/A	N/A	N/A	N/A	-	N/A
G782KO1SS6 (N/A)	N/A	N/A	N/A	N/A	N/A	N/A	H-172-KO-SS(316) X 10	N/A
G782KO2SS6 (N/A)	N/A	N/A	N/A	N/A	N/A	N/A	H-172-KO-SS(316) X 20	N/A

PVC COATED » G782 – 7/8" X 1 5/8"

G-STRUT®	ANVIL	B-LINE/EATON	ELITE	ERICO/NVENT	FLEX-STRUT	FLORIDA/ZSI	HAYDON	PHD
G7821PVC	N/A	N/A	N/A	N/A	N/A	N/A	-	N/A
G7822PVC	N/A	N/A	N/A	N/A	N/A	N/A	-	N/A
G782H1PVC	N/A	N/A	N/A	N/A	N/A	N/A	-	N/A
G782H2PVC	N/A	N/A	N/A	N/A	N/A	N/A	-	N/A
G782OS1PVC	N/A	N/A	N/A	N/A	N/A	N/A	-	N/A
G782OS2PVC	N/A	N/A	N/A	N/A	N/A	N/A	-	N/A
G782LS1PVC	N/A	N/A	N/A	N/A	N/A	N/A	-	N/A
G782LS2PVC	N/A	N/A	N/A	N/A	N/A	N/A	-	N/A
G782A1PVC	N/A	N/A	N/A	N/A	N/A	N/A	-	N/A
G782A2PVC	N/A	N/A	N/A	N/A	N/A	N/A	-	N/A
G782AOS1PVC	N/A	N/A	N/A	N/A	N/A	N/A	-	N/A
G782AOS2PVC	N/A	N/A	N/A	N/A	N/A	N/A	-	N/A
G782KO1PVC	N/A	N/A	N/A	N/A	N/A	N/A	-	N/A
G782KO2PVC	N/A	N/A	N/A	N/A	N/A	N/A	-	N/A

STRUT INDUSTRY PRODUCT CODES » G782

7/8" X 1 5/8"

ALUMINUM » G782 - 7/8" X 1 5/8"

G-STRUT®	POWER/ATKORE	PUPCO	SASCO	SUPERSTRUT/ ABB	UNISTRUT/ATKORE	VERSABAR/ZSI	WESANCO/ZSI
G7821AL (N/A)	N/A	AS-172-AL (10)	N/A	N/A	N/A	N/A	N/A
G7822AL (N/A)	N/A	AS-172-AL (20)	N/A	N/A	N/A	N/A	N/A
G782H1AL (N/A)	N/A	AS-172-RS-AL (10)	N/A	N/A	N/A	N/A	N/A
G782H2AL (N/A)	N/A	AS-172-RS-AL (20)	N/A	N/A	N/A	N/A	N/A
G782O51AL (N/A)	N/A	AS-172-OS-AL (10)	N/A	N/A	N/A	N/A	N/A
G782O52AL (N/A)	N/A	AS-172-OS-AL (20)	N/A	N/A	N/A	N/A	N/A
G782L51AL (N/A)	N/A	AS-172-SL-AL (10)	N/A	N/A	N/A	N/A	N/A
G782L52AL (N/A)	N/A	AS-172-SL-AL (20)	N/A	N/A	N/A	N/A	N/A
G782A1AL (N/A)	N/A	AS-172A-AL (10)	N/A	N/A	N/A	N/A	N/A
G782A2AL (N/A)	N/A	AS-172A-AL (20)	N/A	N/A	N/A	N/A	N/A
G782A051AL (N/A)	N/A	AS-172A-OS-AL (10)	N/A	N/A	N/A	N/A	N/A
G782A052AL (N/A)	N/A	AS-172A-OS-AL (20)	N/A	N/A	N/A	N/A	N/A
G782K01AL (N/A)	N/A	AS-172-KO-AL (10)	N/A	N/A	N/A	N/A	N/A
G782K02AL (N/A)	N/A	AS-172-KO-AL (20)	N/A	N/A	N/A	N/A	N/A

STAINLESS STEEL (GRADE 304) » G782 - 7/8" X 1 5/8"

G-STRUT®	POWER/ATKORE	PUPCO	SASCO	SUPERSTRUT/ ABB	UNISTRUT/ATKORE	VERSABAR/ZSI	WESANCO/ZSI
G7821SS (N/A)	N/A	AS-172-SS4 (10)	N/A	N/A	N/A	N/A	N/A
G7822SS (N/A)	N/A	AS-172-SS4 (20)	N/A	N/A	N/A	N/A	N/A
G782H1SS (N/A)	N/A	AS-172-RS-SS4 (10)	N/A	N/A	N/A	N/A	N/A
G782H2SS (N/A)	N/A	AS-172-RS-SS4 (20)	N/A	N/A	N/A	N/A	N/A
G782O51SS (N/A)	N/A	AS-172-OS-SS4 (10)	N/A	N/A	N/A	N/A	N/A
G782O52SS (N/A)	N/A	AS-172-OS-SS4 (20)	N/A	N/A	N/A	N/A	N/A
G782L51SS (N/A)	N/A	AS-172-SL-SS4 (10)	N/A	N/A	N/A	N/A	N/A
G782L52SS (N/A)	N/A	AS-172-SL-SS4 (20)	N/A	N/A	N/A	N/A	N/A
G782A1SS (N/A)	N/A	AS-172A-SS4 (10)	N/A	N/A	N/A	N/A	N/A
G782A2SS (N/A)	N/A	AS-172A-SS4 (20)	N/A	N/A	N/A	N/A	N/A
G782A051SS (N/A)	N/A	AS-172A-OS-SS4 (10)	N/A	N/A	N/A	N/A	N/A
G782A052SS (N/A)	N/A	AS-172A-OS-SS4 (20)	N/A	N/A	N/A	N/A	N/A
G782K01SS (N/A)	N/A	AS-172-KO-SS4 (10)	N/A	N/A	N/A	N/A	N/A
G782K02SS (N/A)	N/A	AS-172-KO-SS4 (20)	N/A	N/A	N/A	N/A	N/A

STAINLESS STEEL (GRADE 316) » G782 - 7/8" X 1 5/8"

G-STRUT®	POWER/ATKORE	PUPCO	SASCO	SUPERSTRUT/ ABB	UNISTRUT/ATKORE	VERSABAR/ZSI	WESANCO/ZSI
G7821SS6 (N/A)	N/A	AS-172-SS6 (10)	N/A	N/A	N/A	N/A	N/A
G7822SS6 (N/A)	N/A	AS-172-SS6 (20)	N/A	N/A	N/A	N/A	N/A
G782H1SS6 (N/A)	N/A	AS-172-RS-SS6 (10)	N/A	N/A	N/A	N/A	N/A
G782H2SS6 (N/A)	N/A	AS-172-RS-SS6 (20)	N/A	N/A	N/A	N/A	N/A
G782O51SS6 (N/A)	N/A	AS-172-OS-SS6 (10)	N/A	N/A	N/A	N/A	N/A
G782O52SS6 (N/A)	N/A	AS-172-OS-SS6 (20)	N/A	N/A	N/A	N/A	N/A
G782L51SS6 (N/A)	N/A	AS-172-SL-SS6 (10)	N/A	N/A	N/A	N/A	N/A
G782L52SS6 (N/A)	N/A	AS-172-SL-SS6 (20)	N/A	N/A	N/A	N/A	N/A
G782A1SS6 (N/A)	N/A	AS-172A-SS6 (10)	N/A	N/A	N/A	N/A	N/A
G782A2SS6 (N/A)	N/A	AS-172A-SS6 (20)	N/A	N/A	N/A	N/A	N/A
G782A051SS6 (N/A)	N/A	AS-172A-OS-SS6 (10)	N/A	N/A	N/A	N/A	N/A
G782A052SS6 (N/A)	N/A	AS-172A-OS-SS6 (20)	N/A	N/A	N/A	N/A	N/A
G782K01SS6 (N/A)	N/A	AS-172-KO-SS6 (10)	N/A	N/A	N/A	N/A	N/A
G782K02SS6 (N/A)	N/A	AS-172-KO-SS6 (20)	N/A	N/A	N/A	N/A	N/A

PVC COATED » G782 - 7/8" X 1 5/8"

G-STRUT®	POWER/ATKORE	PUPCO	SASCO	SUPERSTRUT/ ABB	UNISTRUT/ATKORE	VERSABAR/ZSI	WESANCO/ZSI
G7821PVC	N/A	AS-172-PVC (10)	N/A	N/A	N/A	N/A	-
G7822PVC	N/A	AS-172-PVC (20)	N/A	N/A	N/A	N/A	-
G782H1PVC	N/A	AS-172-RS-PVC (10)	N/A	N/A	N/A	N/A	-
G782H2PVC	N/A	AS-172-RS-PVC (20)	N/A	N/A	N/A	N/A	-
G782O51PVC	N/A	AS-172-OS-PVC (10)	N/A	N/A	N/A	N/A	-
G782O52PVC	N/A	AS-172-OS-PVC (20)	N/A	N/A	N/A	N/A	-
G782L51PVC	N/A	AS-172-SL-PVC (10)	N/A	N/A	N/A	N/A	-
G782L52PVC	N/A	AS-172-SL-PVC (20)	N/A	N/A	N/A	N/A	-
G782A1PVC	N/A	AS-172A-PVC (10)	N/A	N/A	N/A	N/A	-
G782A2PVC	N/A	AS-172A-PVC (20)	N/A	N/A	N/A	N/A	-
G782A051PVC	N/A	AS-172A-OS-PVC (10)	N/A	N/A	N/A	N/A	-
G782A052PVC	N/A	AS-172A-OS-PVC (20)	N/A	N/A	N/A	N/A	-
G782K01PVC	N/A	AS-172-KO-PVC (10)	N/A	N/A	N/A	N/A	-
G782K02PVC	N/A	AS-172-KO-PVC (20)	N/A	N/A	N/A	N/A	-

STRUT INDUSTRY PRODUCT CODES » G132

13/16" X 1 5/8"

PRE-GALVANIZED » G132 – 13/16" X 1 5/8"

G-STRUT®	ANVIL	B-LINE/EATON	ELITE	ERICO/NVENT	FLEX-STRUT	FLORIDA/ZSI	HAYDON	PHD
G1321	AS 520-PG 10	B52 GALV 120	N/A	C121000PG	FS-520-PG-10	-	H-162-PG X 10	1201 PG (10)
G1322	AS 520-PG 20	B52 GALV 240	N/A	C122000PG	FS-520-PG-20	-	H-162-PG X 20	1202 PG (20)
G132H1	AS 520H-PG 10	B52 H178 GALV 120	N/A	-	FS-520-H-PG-10	-	H-162-RS-PG X 10	1221 PG (10)
G132H2	AS 520H-PG 20	B52 H178 GALV 240	N/A	-	FS-520-H-PG-20	-	H-162-RS-PG X 20	1222 PG (20)
G132O51	AS 520EH-PG 10	B52 SH GALV 120	ES C12 UST009	C12HS1000PG	FS-520-SS-PG-10	FS121316-10-PRE-GALV	H-162-OS-PG X 10	1211 PG (10)
G132O52	AS 520EH-PG 20	B52 SH GALV 240	ES C12 UST011	C12HS2000PG	FS-520-SS-PG-20	FS121316-20-PRE-GALV	H-162-OS-PG X 20	1212 PG (20)
G132LS1	AS 520S-PG 10	P52 S GALV 120	N/A	-	FS-520-SL-PG-10	-	H-162-OS3-PG X 10	1231 PG (10)
G132LS2	AS 520S-PG 20	B52 S GALV 240	N/A	-	FS-520-SL-PG-20	-	H-162-OS3-PG X 20	1232 PG (20)
G132A1	AS 520BTB-PG 10	B52A GALV 120	N/A	-	FS-521-SL-PG-10	-	H-162-A-PG X 10	1201A PG (10)
G132A2	AS 520BTB-PG 20	B52A GALV 240	N/A	-	FS-521-SL-PG-20	-	H-162-A-PG X 20	1202A PG (20)
G132A0S1	-	-	N/A	-	-	FS121316BB-10-PRE-GALV	-	1211A PG (10)
G132A0S2	-	-	N/A	-	-	FS121316BB-20-PRE-GALV	-	1212A PG (20)
G132KO1	-	B52 KO6 GALV 120	N/A	-	FS-521-KO-PG-10	-	H-162-KO-PG X 10	1241 PG (10)
G132KO2	-	B52 KO6 GALV 240	N/A	-	FS-521-KO-PG-20	-	H-162-KO-PG X 20	1242 PG (20)

GREEN » G132 – 13/16" X 1 5/8"

G-STRUT®	ANVIL	B-LINE/EATON	ELITE	ERICO/NVENT	FLEX-STRUT	FLORIDA/ZSI	HAYDON	PHD
G1321POP	AS 520-GR 10	B52 GRN 120	N/A	C121000GN	FS-520-GR-10	N/A	H-162-GR X 10	N/A
G1322POP	AS 520-GR 20	B52 GRN 240	N/A	C122000GN	FS-520-GR-20	N/A	H-162-GR X 20	N/A
G132H1POP	AS 520H-GR 10	B52 H178 GRN 120	N/A	-	FS-520-H-GR-10	N/A	H-162-RS-GR X 10	N/A
G132H2POP	AS 520H-GR 20	B52 H178 GRN 240	N/A	-	FS-520-H-GR-20	N/A	H-162-RS-GR X 20	N/A
G132O51POP	AS 520EH-GR 10	B52 SH GRN 120	ES C14 UST010	C12HS1000GN	FS-520-SS-GR-10	N/A	H-162-OS-GR X 10	N/A
G132O52POP	AS 520EH-GR 20	B52 SH GRN 240	ES C14 UST012	C12HS2000GN	FS-520-SS-GR-20	N/A	H-162-OS-GR X 20	N/A
G132LS1POP	AS 520S-GR 10	B52 S GRN 120	N/A	-	FS-520-SL-GR-10	N/A	H-162-OS3-GR X 10	N/A
G132LS2POP	AS 520S-GR 20	B52 S GRN 240	N/A	-	FS-520-SL-GR-20	N/A	H-162-OS3-GR X 20	N/A
G132A1POP	AS 520BTB-GR 10	B52A GRN 120	N/A	-	FS-521-GR-10	N/A	H-162-A-GR X 10	N/A
G132A2POP	AS 520BTB-GR 20	B52A GRN 240	N/A	-	FS-521-GR-20	N/A	H-162-A-GR X 20	N/A
G132A0S1POP	-	-	N/A	-	-	N/A	-	N/A
G132A0S2POP	-	-	N/A	-	-	N/A	-	N/A
G132KO1POP	-	B52 KO6 GRN 120	N/A	-	FS-520-KO-GR-10	N/A	H-162-KO-GR X 10	N/A
G132KO2POP	-	B52 KO6 GRN 240	N/A	-	FS-520-KO-GR-20	N/A	H-162-KO-GR X 20	N/A

YELLOW ZINC (GOLD) » G132 – 13/16" X 1 5/8"

G-STRUT®	ANVIL	B-LINE/EATON	ELITE	ERICO/NVENT	FLEX-STRUT	FLORIDA/ZSI	HAYDON	PHD
G1321YZ	-	N/A	N/A	C121000CG	N/A	N/A	-	N/A
G1322YZ	-	N/A	N/A	C122000CG	N/A	N/A	-	N/A
G132H1YZ	-	N/A	N/A	-	N/A	N/A	-	N/A
G132H2YZ	-	N/A	N/A	-	N/A	N/A	-	N/A
G132O51YZ	-	N/A	N/A	C12HS1000CG	N/A	N/A	-	N/A
G132O52YZ	-	N/A	N/A	C12HS2000CG	N/A	N/A	-	N/A
G132LS1YZ	-	N/A	N/A	-	N/A	N/A	-	N/A
G132LS2YZ	-	N/A	N/A	-	N/A	N/A	-	N/A
G132A1YZ	-	N/A	N/A	-	N/A	N/A	-	N/A
G132A2YZ	-	N/A	N/A	-	N/A	N/A	-	N/A
G132A0S1YZ	-	N/A	N/A	-	N/A	N/A	-	N/A
G132A0S2YZ	-	N/A	N/A	-	N/A	N/A	-	N/A
G132KO1YZ	-	N/A	N/A	-	N/A	N/A	-	N/A
G132KO2YZ	-	N/A	N/A	-	N/A	N/A	-	N/A

GALVANNEALED WIZCOAT™ » G132 – 13/16" X 1 5/8"

G-STRUT®	ANVIL	B-LINE/EATON	ELITE	ERICO/NVENT	FLEX-STRUT	FLORIDA/ZSI	HAYDON	PHD
G1321GN	N/A	N/A	N/A	N/A	N/A	N/A	N/A	N/A
G1322GN	N/A	N/A	N/A	N/A	N/A	N/A	N/A	N/A
G132H1GN	N/A	N/A	N/A	N/A	N/A	N/A	N/A	N/A
G132H2GN	N/A	N/A	N/A	N/A	N/A	N/A	N/A	N/A
G132O51GN	N/A	N/A	N/A	N/A	N/A	N/A	N/A	N/A
G132O52GN	N/A	N/A	N/A	N/A	N/A	N/A	N/A	N/A
G132LS1GN	N/A	N/A	N/A	N/A	N/A	N/A	N/A	N/A
G132LS2GN	N/A	N/A	N/A	N/A	N/A	N/A	N/A	N/A
G132A1GN	N/A	N/A	N/A	N/A	N/A	N/A	N/A	N/A
G132A2GN	N/A	N/A	N/A	N/A	N/A	N/A	N/A	N/A
G132A0S1GN	N/A	N/A	N/A	N/A	N/A	N/A	N/A	N/A
G132A0S2GN	N/A	N/A	N/A	N/A	N/A	N/A	N/A	N/A
G132KO1GN	N/A	N/A	N/A	N/A	N/A	N/A	N/A	N/A
G132KO2GN	N/A	N/A	N/A	N/A	N/A	N/A	N/A	N/A

PLAIN » G132 – 13/16" X 1 5/8"

G-STRUT®	ANVIL	B-LINE/EATON	ELITE	ERICO/NVENT	FLEX-STRUT	FLORIDA/ZSI	HAYDON	PHD
G1321PO	AS 520-PL 10	B52 PLN 120	N/A	N/A	FS-520-PL-10	-	H-162-PL X 10	1201 PL (10)
G1322PO	AS 520-PL 20	B52 PLN 240	N/A	N/A	FS-520-PL-20	-	H-162-PL X 20	1202 PL (20)
G132H1PO	AS 520H-PL 10	B52 H178 PLN 120	N/A	N/A	FS-520-H-PL-10	-	H-162-RS-PL X 10	1221 PL (10)
G132H2PO	AS 520H-PL 20	B52 H178 PLN 240	N/A	N/A	FS-520-H-PL-20	-	H-162-RS-PL X 20	1222 PL (20)
G132O51PO	AS 520EH-PL 10	B52 SH PLN 120	N/A	N/A	FS-520-SS-PL-10	FS121316-10-PLAIN	H-162-OS-PL X 10	1211 PL (10)
G132O52PO	AS 520EH-PL 20	B52 SH PLN 240	N/A	N/A	FS-520-SS-PL-20	FS121316-20-PLAIN	H-162-OS-PL X 20	1212 PL (20)
G132LS1PO	AS 520S-PL 10	B52 S PLN 120	N/A	N/A	FS-520-SL-PL-10	-	H-162-OS3-PL X 10	1231 PL (10)
G132LS2PO	AS 520S-PL 20	B52 S PLN 240	N/A	N/A	FS-520-SL-PL-20	-	H-162-OS3-PL X 20	1232 PL (20)
G132A1PO	AS 520BTB-PL 10	B52A PLN 120	N/A	N/A	FS-521-PL-10	-	H-162-A-PL X 10	1201A PL (10)
G132A2PO	AS 520BTB-PL 20	B52A PLN 240	N/A	N/A	FS-521-PL-20	-	H-162-A-PL X 20	1202A PL (20)
G132A0S1PO	-	-	N/A	N/A	-	FS121316BB-10-PLAIN	-	1211A PL (10)
G132A0S2PO	-	-	N/A	N/A	-	FS121316BB-20-PLAIN	-	1212A PL (20)
G132KO1PO	-	B52 KO6 PLN 120	N/A	N/A	FS-520-KO-PL-10	-	H-162-KO-PL X 10	1241 PL (10)
G132KO2PO	-	B52 KO6 PLN 240	N/A	N/A	FS-520-KO-PL-20	-	H-162-KO-PL X 20	1242 PL (20)

STRUT INDUSTRY PRODUCT CODES » G132

13/16" X 1 5/8"

PRE-GALVANIZED » G132 – 13/16" X 1 5/8"

G-STRUT®	POWER/ATKORE	PUPCO	SASCO	SUPERSTRUT/ ABB	UNISTRUT/ATKORE	VERSABAR/ZSI	WESANCO/ZSI
G1321	PS 520 10 PG	N/A	N/A	B1200 10PG	N/A	VA-13 EG (10)	N/A
G1322	PS 520 20 PG	N/A	N/A	B1200 20PG	N/A	VA-13 EG (20)	N/A
G132H1	PS 520 H 10 PG	N/A	N/A	B1200H 10PG	N/A	VA-13P1.87 EG (10)	N/A
G132H2	PS 520 H 20 PG	N/A	N/A	B1200H 20PG	N/A	VA-13P1.87 EG (20)	N/A
G132O51	PS 520 EH 10 PG	N/A	N/A	B1200HS 10PG	N/A	VA-13PLH EG (10)	N/A
G132O52	PS 520 EH 20 PG	N/A	N/A	B1200HS 20PG	N/A	VA-13PLH EG (20)	N/A
G132LS1	PS 520 S 10 PG	N/A	N/A	B1200LS 10PG	N/A	VA-13P3S EG (10)	N/A
G132LS2	PS 520 S 20 PG	N/A	N/A	B1200LS 20PG	N/A	VA-13P3S EG (20)	N/A
G132A1	PS 520 2T3 10 PG	N/A	N/A	B1200-2 10PG	N/A	VA-13201 EG (10)	N/A
G132A2	PS 520 2T3 20 PG	N/A	N/A	B1200-2 20PG	N/A	VA-13201 EG (20)	N/A
G132A0S1	N/A	N/A	N/A	B1200-2HS 10PG	N/A	N/A	N/A
G132A0S2	N/A	N/A	N/A	B1200-2HS 20PG	N/A	N/A	N/A
G132K01	N/A	N/A	N/A	N/A	N/A	N/A	N/A
G132K02	N/A	N/A	N/A	N/A	N/A	N/A	N/A

GREEN » G132 – 13/16" X 1 5/8"

G-STRUT®	POWER/ATKORE	PUPCO	SASCO	SUPERSTRUT/ ABB	UNISTRUT/ATKORE	VERSABAR/ZSI	WESANCO/ZSI
G1321POP	PS 520 10 GR	N/A	N/A	B1200 10GR	N/A	VA-13 GR(10)	N/A
G1322POP	PS 520 20 GR	N/A	N/A	B1200 20GR	N/A	VA-13 GR(20)	N/A
G132H1POP	PS 520 H 10 GR	N/A	N/A	B1200H 10GR	N/A	VA-13P1.87 GR(10)	N/A
G132H2POP	PS 520 H 20 GR	N/A	N/A	B1200H 20GR	N/A	VA-13P1.87 GR(20)	N/A
G132O51POP	PS 520 EH 10 GR	N/A	N/A	B1200HS 10GR	N/A	N/A	N/A
G132O52POP	PS 520 EH 20 GR	N/A	N/A	B1200HS 20GR	N/A	N/A	N/A
G132LS1POP	PS 520 S 10 GR	N/A	N/A	B1200LS 10GR	N/A	N/A	N/A
G132LS2POP	PS 520 S 20 GR	N/A	N/A	B1200LS 20GR	N/A	N/A	N/A
G132A1POP	PS 520 2T3 10 GR	N/A	N/A	B1200-2 10GR	N/A	N/A	N/A
G132A2POP	PS 520 2T3 20 GR	N/A	N/A	B1200-2 20GR	N/A	N/A	N/A
G132A0S1POP	N/A	N/A	N/A	B1200-2HS 10GR	N/A	N/A	N/A
G132A0S2POP	N/A	N/A	N/A	B1200-2HS 20GR	N/A	N/A	N/A
G132K01POP	N/A	N/A	N/A	N/A	N/A	N/A	N/A
G132K02POP	N/A	N/A	N/A	N/A	N/A	N/A	N/A

YELLOW ZINC (GOLD) » G132 – 13/16" X 1 5/8"

G-STRUT®	POWER/ATKORE	PUPCO	SASCO	SUPERSTRUT/ ABB	UNISTRUT/ATKORE	VERSABAR/ZSI	WESANCO/ZSI
G1321YZ	PS 520 10 ZD	N/A	N/A	-	N/A	N/A	N/A
G1322YZ	PS 520 20 ZD	N/A	N/A	-	N/A	N/A	N/A
G132H1YZ	PS 520 H 10 ZD	N/A	N/A	-	N/A	N/A	N/A
G132H2YZ	PS 520 H 20 ZD	N/A	N/A	-	N/A	N/A	N/A
G132O51YZ	PS 520 EH 10 ZD	N/A	N/A	-	N/A	N/A	N/A
G132O52YZ	PS 520 EH 20 ZD	N/A	N/A	-	N/A	N/A	N/A
G132LS1YZ	PS 520 S 10 ZD	N/A	N/A	-	N/A	N/A	N/A
G132LS2YZ	PS 520 S 20 ZD	N/A	N/A	-	N/A	N/A	N/A
G132A1YZ	PS 520 2T3 10 ZD	N/A	N/A	-	N/A	N/A	N/A
G132A2YZ	PS 520 2T3 20 ZD	N/A	N/A	-	N/A	N/A	N/A
G132A0S1YZ	N/A	N/A	N/A	-	N/A	N/A	N/A
G132A0S2YZ	N/A	N/A	N/A	-	N/A	N/A	N/A
G132K01YZ	N/A	N/A	N/A	-	N/A	N/A	N/A
G132K02YZ	N/A	N/A	N/A	-	N/A	N/A	N/A

GALVANNEALED WIZCOAT™ » G132 – 13/16" X 1 5/8"

G-STRUT®	POWER/ATKORE	PUPCO	SASCO	SUPERSTRUT/ ABB	UNISTRUT/ATKORE	VERSABAR/ZSI	WESANCO/ZSI
G1321GN	N/A	N/A	N/A	N/A	N/A	N/A	N/A
G1322GN	N/A	N/A	N/A	N/A	N/A	N/A	N/A
G132H1GN	N/A	N/A	N/A	N/A	N/A	N/A	N/A
G132H2GN	N/A	N/A	N/A	N/A	N/A	N/A	N/A
G132O51GN	N/A	N/A	N/A	N/A	N/A	N/A	N/A
G132O52GN	N/A	N/A	N/A	N/A	N/A	N/A	N/A
G132LS1GN	N/A	N/A	N/A	N/A	N/A	N/A	N/A
G132LS2GN	N/A	N/A	N/A	N/A	N/A	N/A	N/A
G132A1GN	N/A	N/A	N/A	N/A	N/A	N/A	N/A
G132A2GN	N/A	N/A	N/A	N/A	N/A	N/A	N/A
G132A0S1GN	N/A	N/A	N/A	N/A	N/A	N/A	N/A
G132A0S2GN	N/A	N/A	N/A	N/A	N/A	N/A	N/A
G132K01GN	N/A	N/A	N/A	N/A	N/A	N/A	N/A
G132K02GN	N/A	N/A	N/A	N/A	N/A	N/A	N/A

PLAIN » G132 – 13/16" X 1 5/8"

G-STRUT®	POWER/ATKORE	PUPCO	SASCO	SUPERSTRUT/ ABB	UNISTRUT/ATKORE	VERSABAR/ZSI	WESANCO/ZSI
G1321PO	PS 520 10 PL	N/A	N/A	B1200 10B	N/A	N/A	N/A
G1322PO	PS 520 20 PL	N/A	N/A	B1200 20B	N/A	N/A	N/A
G132H1PO	PS 520 H 10 PL	N/A	N/A	B1200H 10B	N/A	N/A	N/A
G132H2PO	PS 520 H 20 PL	N/A	N/A	B1200H 20B	N/A	N/A	N/A
G132O51PO	PS 520 EH 10 PL	N/A	N/A	B1200HS 10B	N/A	N/A	N/A
G132O52PO	PS 520 EH 20 PL	N/A	N/A	B1200HS 20B	N/A	N/A	N/A
G132LS1PO	PS 520 S 10 PL	N/A	N/A	B1200LS 10B	N/A	N/A	N/A
G132LS2PO	PS 520 S 20 PL	N/A	N/A	B1200LS 20B	N/A	N/A	N/A
G132A1PO	PS 520 2T3 10 PL	N/A	N/A	B1200-2 10B	N/A	N/A	N/A
G132A2PO	PS 520 2T3 20 PL	N/A	N/A	B1200-2 20B	N/A	N/A	N/A
G132A0S1PO	N/A	N/A	N/A	B1200-2HS 10B	N/A	N/A	N/A
G132A0S2PO	N/A	N/A	N/A	B1200-2HS 20B	N/A	N/A	N/A
G132K01PO	N/A	N/A	N/A	N/A	N/A	N/A	N/A
G132K02PO	N/A	N/A	N/A	N/A	N/A	N/A	N/A

STRUT INDUSTRY PRODUCT CODES >> G132

13/16" X 1 5/8"

HOT-DIPPED GALVANIZED >> G132 - 13/16" X 1 5/8"

G-STRUT®	ANVIL	B-LINE/EATON	ELITE	ERICO/NVENT	FLEX-STRUT	FLORIDA/ZSI	HAYDON	PHD
G1321HDG	-	B52 HDG 120	N/A	N/A	FS-520-HD-10	-	-	1201 HD (10)
G1322HDG	-	B52 HDG 240	N/A	N/A	FS-520-HD-20	-	-	1202 HD(20)
G132H1HDG	-	B52 H178 HDG 120	N/A	N/A	FS-520-H-HD-10	-	-	1221 HD (10)
G132H2HDG	-	B52 H178 HDG 240	N/A	N/A	FS-520-H-HD-20	-	-	1222 HD (20)
G1320S1HDG	-	B52 SH HDG 120	N/A	N/A	FS-520-SS-HD-10	FS121316-10-HD	-	1211 HD (10)
G1320S2HDG	-	B52 SH HDG 240	N/A	N/A	FS-520-SS-HD-20	FS121316-20-HD	-	1212 HD (20)
G132LS1HDG	-	B52 S HDG120	N/A	N/A	FS-520-SL-HD-10	-	-	1231 HD (10)
G132LS2HDG	-	B52 S HDG 240	N/A	N/A	FS-520-SL-HD-20	-	-	1232 HD (20)
G132A1HDG	-	B52A HDG 120	N/A	N/A	FS-521-HD-10	-	-	1201A HD (10)
G132A2HDG	-	B52A HDG 240	N/A	N/A	FS-521-HD-20	-	-	1202A HD (20)
G132A0S1HDG	-	-	N/A	N/A	-	FS121316BB-10-HD	-	1211A HD (10)
G132A0S2HDG	-	-	N/A	N/A	-	FS121316BB-20-HD	-	1212A HD (20)
G132K01HDG	-	B52 K06 HDG 120	N/A	N/A	FS-520-KO-HD-10	-	-	1241 HD (10)
G132K02HDG	-	B52 K06 HDG 240	N/A	N/A	FS-520-KO-HD-20	-	-	1242 HD (20)

ALUMINUM >> G132 - 13/16" X 1 5/8"

G-STRUT®	ANVIL	B-LINE/EATON	ELITE	ERICO/NVENT	FLEX-STRUT	FLORIDA/ZSI	HAYDON	PHD
G1321AL (N/A)	-	N/A	N/A	C121000AL	FS-520-AL-10	-	-	1201 AL (20)
G1322AL (N/A)	-	N/A	N/A	C122000AL	FS-520-AL-20	-	-	1202 AL (20)
G132H1AL (N/A)	-	N/A	N/A	-	FS-520-H-AL-10	-	-	1221 AL (20)
G132H2AL (N/A)	-	N/A	N/A	-	FS-520-H-AL-20	-	-	1222 AL (20)
G1320S1AL (N/A)	-	N/A	N/A	-	FS-520-SS-AL-10	FS121316-10-ALUMINUM	-	1211 AL (20)
G1320S2AL (N/A)	-	N/A	N/A	-	FS-520-SS-AL-20	FS121316-20-ALUMINUM	-	1212 AL (20)
G132LS1AL (N/A)	-	N/A	N/A	-	FS-520-SL-AL-10	-	-	1231 AL (20)
G132LS2AL (N/A)	-	N/A	N/A	-	FS-520-SL-AL-20	-	-	1232 AL (20)
G132A1AL (N/A)	-	N/A	N/A	-	FS-521-AL-10	-	-	1201A AL (20)
G132A2AL (N/A)	-	N/A	N/A	-	FS-521-AL-20	-	-	1202A AL (20)
G132A0S1AL (N/A)	-	N/A	N/A	-	-	FS121316BB-10-ALUMINUM	-	1211A AL (20)
G132A0S2AL (N/A)	-	N/A	N/A	-	-	FS121316BB-20-ALUMINUM	-	1212A AL (20)
G132K01AL (N/A)	-	N/A	N/A	-	FS-520-KO-AL-10	-	-	1241 AL (20)
G132K02AL (N/A)	-	N/A	N/A	-	FS-520-KO-AL-20	-	-	1242 AL (20)

STAINLESS STEEL (GRADE 304) >> G132 - 13/16" X 1 5/8"

G-STRUT®	ANVIL	B-LINE/EATON	ELITE	ERICO/NVENT	FLEX-STRUT	FLORIDA/ZSI	HAYDON	PHD
G1321SS (N/A)	-	N/A	N/A	N/A	N/A	N/A	H-162-SS X 10	1201 SS304 (10)
G1322SS (N/A)	-	N/A	N/A	N/A	N/A	N/A	H-162-SS X 20	1202 SS304 (20)
G132H1SS (N/A)	-	N/A	N/A	N/A	N/A	N/A	H-162-RS-SS X 10	1221 SS304 (10)
G132H2SS (N/A)	-	N/A	N/A	N/A	N/A	N/A	H-162-RS-SS X 20	1222 SS304 (20)
G1320S1SS (N/A)	-	N/A	N/A	N/A	N/A	FS121316-10-SS	H-162-OS-SS X 10	1211 SS304 (10)
G1320S2SS (N/A)	-	N/A	N/A	N/A	N/A	FS121316-20-SS	H-162-OS-SS X 20	1212 SS304 (20)
G132LS1SS (N/A)	-	N/A	N/A	N/A	N/A	N/A	H-162-OS3-SS X 10	1231 SS304 (10)
G132LS2SS (N/A)	-	N/A	N/A	N/A	N/A	N/A	H-162-OS3-SS X 20	1232 SS304 (20)
G132A1SS (N/A)	-	N/A	N/A	N/A	N/A	N/A	H-162-A-SS X 10	1201A SS304 (10)
G132A2SS (N/A)	-	N/A	N/A	N/A	N/A	N/A	H-162-A-SS X 20	1202A SS304 (20)
G132A0S1SS (N/A)	-	N/A	N/A	N/A	N/A	FS121316BB-10-SS	-	1211A SS304 (10)
G132A0S2SS (N/A)	-	N/A	N/A	N/A	N/A	FS121316BB-20-SS	-	1212A SS304 (20)
G132K01SS (N/A)	-	N/A	N/A	N/A	N/A	N/A	H-162-KO-SS X 10	1241 SS304 (10)
G132K02SS (N/A)	-	N/A	N/A	N/A	N/A	N/A	H-162-KO-SS X 20	1242 SS304 (20)

STAINLESS STEEL (GRADE 316) >> G132 - 13/16" X 1 5/8"

G-STRUT®	ANVIL	B-LINE/EATON	ELITE	ERICO/NVENT	FLEX-STRUT	FLORIDA/ZSI	HAYDON	PHD
G1321SS6 (N/A)	-	N/A	N/A	N/A	N/A	N/A	H-162-SS(316) X 10	1201 SS316 (10)
G1322SS6 (N/A)	-	N/A	N/A	N/A	N/A	N/A	H-162-SS(316) X 20	1202 SS316 (10)
G132H1SS6 (N/A)	-	N/A	N/A	N/A	N/A	N/A	H-162-RS-SS(316) X 10	1221 SS316 (10)
G132H2SS6 (N/A)	-	N/A	N/A	N/A	N/A	N/A	H-162-RS-SS(316) X 20	1222 SS316 (10)
G1320S1SS6 (N/A)	-	N/A	N/A	N/A	N/A	FS121316-10-SS(316)	H-162-OS-SS(316) X 10	1211 SS316 (10)
G1320S2SS6 (N/A)	-	N/A	N/A	N/A	N/A	FS121316-20-SS(316)	H-162-OS-SS(316) X 20	1212 SS316 (10)
G132LS1SS6 (N/A)	-	N/A	N/A	N/A	N/A	N/A	H-162-OS3-SS(316) X 10	1231 SS316 (10)
G132LS2SS6 (N/A)	-	N/A	N/A	N/A	N/A	N/A	H-162-OS3-SS(316) X 20	1232 SS316 (10)
G132A1SS6 (N/A)	-	N/A	N/A	N/A	N/A	N/A	H-162-A-SS(316) X 10	1201A SS316 (10)
G132A2SS6 (N/A)	-	N/A	N/A	N/A	N/A	N/A	H-162-A-SS(316) X 20	1202A SS316 (10)
G132A0S1SS6 (N/A)	-	N/A	N/A	N/A	N/A	FS121316BB-10-SS(316)	-	1211A SS316 (10)
G132A0S2SS6 (N/A)	-	N/A	N/A	N/A	N/A	FS121316BB-20-SS(316)	-	1212A SS316 (10)
G132K01SS6 (N/A)	-	N/A	N/A	N/A	N/A	N/A	H-162-KO-SS(316) X 10	1241 SS316 (10)
G132K02SS6 (N/A)	-	N/A	N/A	N/A	N/A	N/A	H-162-KO-SS(316) X 20	1242 SS316 (10)

PVC COATED >> G132 - 13/16" X 1 5/8"

G-STRUT®	ANVIL	B-LINE/EATON	ELITE	ERICO/NVENT	FLEX-STRUT	FLORIDA/ZSI	HAYDON	PHD
G1321PVC	-	N/A	N/A	N/A	N/A	N/A	-	N/A
G1322PVC	-	N/A	N/A	N/A	N/A	N/A	-	N/A
G132H1PVC	-	N/A	N/A	N/A	N/A	N/A	-	N/A
G132H2PVC	-	N/A	N/A	N/A	N/A	N/A	-	N/A
G1320S1PVC	-	N/A	N/A	N/A	N/A	N/A	-	N/A
G1320S2PVC	-	N/A	N/A	N/A	N/A	N/A	-	N/A
G132LS1PVC	-	N/A	N/A	N/A	N/A	N/A	-	N/A
G132LS2PVC	-	N/A	N/A	N/A	N/A	N/A	-	N/A
G-132A1PVC	-	N/A	N/A	N/A	N/A	N/A	-	N/A
G-132A2PVC	-	N/A	N/A	N/A	N/A	N/A	-	N/A
G132A0S1PVC	-	N/A	N/A	N/A	N/A	N/A	-	N/A
G132A0S2PVC	-	N/A	N/A	N/A	N/A	N/A	-	N/A
G132K01PVC	-	N/A	N/A	N/A	N/A	N/A	-	N/A
G132K02PVC	-	N/A	N/A	N/A	N/A	N/A	-	N/A

CROSS REFERENCE CHARTS

STRUT INDUSTRY PRODUCT CODES » G132

13/16" X 1 5/8"

HOT-DIPPED GALVANIZED » G132 – 13/16" X 1 5/8"

G-STRUT®	POWER/ATKORE	PUPCO	SASCO	SUPERSTRUT/ ABB	UNISTRUT/ATKORE	VERSABAR/ZSI	WESANCO/ZSI
G1321HDG	PS 520 10 HG	N/A	N/A	B1200 10HDG	N/A	N/A	N/A
G1322HDG	PS 520 20 HG	N/A	N/A	B1200 20HDG	N/A	N/A	N/A
G132H1HDG	PS 520 H 10 HG	N/A	N/A	B1200H 10HDG	N/A	N/A	N/A
G132H2HDG	PS 520 H 20 HG	N/A	N/A	B1200H 20HDG	N/A	N/A	N/A
G132O51HDG	PS 520 EH 10 HG	N/A	N/A	B1200HS 10HDG	N/A	N/A	N/A
G132O52HDG	PS 520 EH 20 HG	N/A	N/A	B1200HS 20HDG	N/A	N/A	N/A
G132LS1HDG	PS 520 S 10 HG	N/A	N/A	B1200LS 10HDG	N/A	N/A	N/A
G132LS2HDG	PS 520 S 20 HG	N/A	N/A	B1200LS 20HDG	N/A	N/A	N/A
G132A1HDG	PS 520 2T3 10 HG	N/A	N/A	B1200-2 10HDG	N/A	N/A	N/A
G132A2HDG	PS 520 2T3 20 HG	N/A	N/A	B1200-2 20HDG	N/A	N/A	N/A
G132AOS1HDG	N/A	N/A	N/A	B1200-2HS 10HDG	N/A	N/A	N/A
G132AOS2HDG	N/A	N/A	N/A	B1200-2HS 20HDG	N/A	N/A	N/A
G132KO1HDG	N/A	N/A	N/A	N/A	N/A	N/A	N/A
G132KO2HDG	N/A	N/A	N/A	N/A	N/A	N/A	N/A

ALUMINUM » G132 – 13/16" X 1 5/8"

G-STRUT®	POWER/ATKORE	PUPCO	SASCO	SUPERSTRUT/ ABB	UNISTRUT/ATKORE	VERSABAR/ZSI	WESANCO/ZSI
G1321AL (N/A)	PS 520 10 AL	N/A	N/A	B1200 10AL	N/A	N/A	N/A
G1322AL (N/A)	PS 520 20 AL	N/A	N/A	B1200 20AL	N/A	N/A	N/A
G132H1AL (N/A)	PS 520 H 10 AL	N/A	N/A	B1200H 10AL	N/A	N/A	N/A
G132H2AL (N/A)	PS 520 H 20 AL	N/A	N/A	B1200H 20AL	N/A	N/A	N/A
G132O51AL (N/A)	PS 520 EH 10 AL	N/A	N/A	B1200HS 10AL	N/A	N/A	N/A
G132O52AL (N/A)	PS 520 EH 20 AL	N/A	N/A	B1200HS 20AL	N/A	N/A	N/A
G132LS1AL (N/A)	PS 520 S 10 AL	N/A	N/A	B1200LS 10AL	N/A	N/A	N/A
G132LS2AL (N/A)	PS 520 S 20 AL	N/A	N/A	B1200LS 20AL	N/A	N/A	N/A
G132A1AL (N/A)	PS 520 2T3 10 AL	N/A	N/A	B1200-2 10AL	N/A	N/A	N/A
G132A2AL (N/A)	PS 520 2T3 20 AL	N/A	N/A	B1200-2 20AL	N/A	N/A	N/A
G132AOS1AL (N/A)	N/A	N/A	N/A	B1200-2HS 10AL	N/A	N/A	N/A
G132AOS2AL (N/A)	N/A	N/A	N/A	B1200-2HS 20AL	N/A	N/A	N/A
G132KO1AL (N/A)	N/A	N/A	N/A	N/A	N/A	N/A	N/A
G132KO2AL (N/A)	N/A	N/A	N/A	N/A	N/A	N/A	N/A

STAINLESS STEEL (GRADE 304) » G132 – 13/16" X 1 5/8"

G-STRUT®	POWER/ATKORE	PUPCO	SASCO	SUPERSTRUT/ ABB	UNISTRUT/ATKORE	VERSABAR/ZSI	WESANCO/ZSI
G1321SS (N/A)	PS 520 10 SS	N/A	N/A	-	N/A	N/A	N/A
G1322SS (N/A)	PS 520 20 SS	N/A	N/A	-	N/A	N/A	N/A
G132H1SS (N/A)	PS 520 H 10 SS	N/A	N/A	-	N/A	N/A	N/A
G132H2SS (N/A)	PS 520 H 20 SS	N/A	N/A	-	N/A	N/A	N/A
G132O51SS (N/A)	PS 520 EH 10 SS	N/A	N/A	-	N/A	N/A	N/A
G132O52SS (N/A)	PS 520 EH 20 SS	N/A	N/A	-	N/A	N/A	N/A
G132LS1SS (N/A)	PS 520 S 10 SS	N/A	N/A	-	N/A	N/A	N/A
G132LS2SS (N/A)	PS 520 S 20 SS	N/A	N/A	-	N/A	N/A	N/A
G132A1SS (N/A)	PS 520 2T3 10 SS	N/A	N/A	-	N/A	N/A	N/A
G132A2SS (N/A)	PS 520 2T3 20 SS	N/A	N/A	-	N/A	N/A	N/A
G132AOS1SS (N/A)	N/A	N/A	N/A	-	N/A	N/A	N/A
G132AOS2SS (N/A)	N/A	N/A	N/A	-	N/A	N/A	N/A
G132KO1SS (N/A)	N/A	N/A	N/A	-	N/A	N/A	N/A
G132KO2SS (N/A)	N/A	N/A	N/A	-	N/A	N/A	N/A

STAINLESS STEEL (GRADE 316) » G132 – 13/16" X 1 5/8"

G-STRUT®	POWER/ATKORE	PUPCO	SASCO	SUPERSTRUT/ ABB	UNISTRUT/ATKORE	VERSABAR/ZSI	WESANCO/ZSI
G1321SS6 (N/A)	PS 520 10 SS(316)	N/A	N/A	-	N/A	N/A	N/A
G1322SS6 (N/A)	PS 520 20 SS(316)	N/A	N/A	-	N/A	N/A	N/A
G132H1SS6 (N/A)	PS 520 H 10 SS(316)	N/A	N/A	-	N/A	N/A	N/A
G132H2SS6 (N/A)	PS 520 H 20 SS(316)	N/A	N/A	-	N/A	N/A	N/A
G132O51SS6 (N/A)	PS 520 EH 10 SS(316)	N/A	N/A	-	N/A	N/A	N/A
G132O52SS6 (N/A)	PS 520 EH 20 SS(316)	N/A	N/A	-	N/A	N/A	N/A
G132LS1SS6 (N/A)	PS 520 S 10 SS(316)	N/A	N/A	-	N/A	N/A	N/A
G132LS2SS6 (N/A)	PS 520 S 20 SS(316)	N/A	N/A	-	N/A	N/A	N/A
G132A1SS6 (N/A)	PS 520 2T3 10 SS(316)	N/A	N/A	-	N/A	N/A	N/A
G132A2SS6 (N/A)	PS 520 2T3 20 SS(316)	N/A	N/A	-	N/A	N/A	N/A
G132AOS1SS6 (N/A)	N/A	N/A	N/A	-	N/A	N/A	N/A
G132AOS2SS6 (N/A)	N/A	N/A	N/A	-	N/A	N/A	N/A
G132KO1SS6 (N/A)	N/A	N/A	N/A	-	N/A	N/A	N/A
G132KO2SS6 (N/A)	N/A	N/A	N/A	-	N/A	N/A	N/A

PVC COATED » G132 – 13/16" X 1 5/8"

G-STRUT®	POWER/ATKORE	PUPCO	SASCO	SUPERSTRUT/ ABB	UNISTRUT/ATKORE	VERSABAR/ZSI	WESANCO/ZSI
G1321PVC	N/A	N/A	N/A	B1200 10PVC	N/A	N/A	N/A
G1322PVC	N/A	N/A	N/A	B1200 20PVC	N/A	N/A	N/A
G132H1PVC	N/A	N/A	N/A	B1200H 10PVC	N/A	N/A	N/A
G132H2PVC	N/A	N/A	N/A	B1200H 20PVC	N/A	N/A	N/A
G132O51PVC	N/A	N/A	N/A	B1200HS 10PVC	N/A	N/A	N/A
G132O52PVC	N/A	N/A	N/A	B1200HS 20PVC	N/A	N/A	N/A
G132LS1PVC	N/A	N/A	N/A	B1200LS 10PVC	N/A	N/A	N/A
G132LS2PVC	N/A	N/A	N/A	B1200LS 20PVC	N/A	N/A	N/A
G132A1PVC	N/A	N/A	N/A	B1200-2 10PVC	N/A	N/A	N/A
G132A2PVC	N/A	N/A	N/A	B1200-2 20PVC	N/A	N/A	N/A
G132AOS1PVC	N/A	N/A	N/A	B1200-2HS 10PVC	N/A	N/A	N/A
G132AOS2PVC	N/A	N/A	N/A	B1200-2HS 20PVC	N/A	N/A	N/A
G132KO1PVC	N/A	N/A	N/A	N/A	N/A	N/A	N/A
G132KO2PVC	N/A	N/A	N/A	N/A	N/A	N/A	N/A

STRUT INDUSTRY PRODUCT CODES » G134

13/16" X 1 5/8"

PRE-GALVANIZED » G134 – 13/16" X 1 5/8"

G-STRUT®	ANVIL	B-LINE/EATON	ELITE	ERICO/NVENT	FLEX-STRUT	FLORIDA/ZSI	HAYDON	PHD
G1341	AS 500-PG 10	B54 GALV 120	N/A	C14I000PG	FS-500-PG-10	-	H-164-PG X 10	1301 PG (10)
G1342	AS 500-PG 20	B54 GALV 240	N/A	C14I2000PG	FS-500-PG-20	-	H-164-PG X 20	1302 PG (20)
G134H1	AS 500H-PG 10	B54 H178 GALV 120	N/A	-	FS-500-H-PG-10	-	H-164-RS-PG X 10	1321 PG (10)
G134H2	AS 500H-PG 20	B54 H178 GALV 240	N/A	-	FS-500-H-PG-20	-	H-164-RS-PG X 20	1322 PG (20)
G134OS1	AS 500EH-PG 10	B54 SH GALV 120	ES C14 UST013	C14HS1000PG	FS-500-SS-PG-10	FS141316-10-PG	H-164-OS-PG X 10	1311 PG (10)
G134OS2	AS 500EH-PG 20	B54 SH GALV 240	ES C14 UST015	C14HS2000PG	FS-500-SS-PG-20	FS141316-20-PG	H-164-OS-PG X 20	1312 PG (20)
G134LS1	AS 500S-PG 10	B54 S GALV 120	N/A	-	FS-500-SL-PG-10	-	H-164-OS3-PG X 10	1331 PG (10)
G134LS2	AS 500S-PG 20	B54 S GALV 240	N/A	-	FS-500-SL-PG-20	-	H-164-OS3-PG X 20	1332 PG (20)
G134A1	AS 500BTB-PG 10	B54A GALV 120	N/A	-	FS-501-PG-10	-	H-164-A-PG X 10	1301A PG (10)
G134A2	AS 500BTB-PG 20	B54A GALV 240	N/A	-	FS-501-PG-20	-	H-164-A-PG X 20	1302A PG (20)
G134AOS1	-	-	N/A	-	-	FS141316BB-10-PG	-	1311A PG (10)
G134AOS2	-	-	N/A	-	-	FS141316BB-20-PG	-	1312A PG (20)
G134KO1	-	B54 KO6 GALV 120	N/A	-	FS-500-KO-PG-10	-	H-164-KO-PG X 10	1341 PG (10)
G134KO2	-	B54 KO6 GALV 240	N/A	-	FS-500-KO-PG-20	-	H-164-KO-PG X 20	1342 PG (20)

GREEN » G134 – 13/16" X 1 5/8"

G-STRUT®	ANVIL	B-LINE/EATON	ELITE	ERICO/NVENT	FLEX-STRUT	FLORIDA/ZSI	HAYDON	PHD
G1341POP	AS 500-GR 10	B54 GRN 120	N/A	N/A	FS-500-GR-10	N/A	H-164-GRN X 10	N/A
G1342POP	AS 500-GR 20	B54 GRN 240	N/A	N/A	FS-500-GR-20	N/A	H-164-GRN X 20	N/A
G134H1POP	AS 500H-GR 10	B54 H178 GRN 120	N/A	N/A	FS-500-H-GR-10	N/A	H-164-RS-GRN X 10	N/A
G134H2POP	AS 500H-GR 20	B54 H178 GRN 240	N/A	N/A	FS-500-H-GR-20	N/A	H-164-RS-GRN X 20	N/A
G134OS1POP	AS 500EH-GR 10	B54 SH GRN 120	ES C14 UST014	C14HS1000GN	FS-500-SS-GR-10	N/A	H-164-OS-GRN X 10	N/A
G134OS2POP	AS 500EH-GR 20	B54 SH GRN 240	ES C14 UST016	C14HS2000GN	FS-500-SS-GR-20	N/A	H-164-OS-GRN X 20	N/A
G134LS1POP	AS 500S-GR 10	B54 S GRN 120	N/A	C14S1000GN	FS-500-SL-GR-10	N/A	H-164-OS3-GRN X 10	N/A
G134LS2POP	AS 500S-GR 20	B54 S GRN 240	N/A	C14S2000GN	FS-500-SL-GR-20	N/A	H-164-OS3-GRN X 20	N/A
G134A1POP	AS 500BTB-GR 10	B54A GRN 120	N/A	N/A	FS-501-GR-10	N/A	H-164-A-GRN X 10	N/A
G134A2POP	AS 500BTB-GR 20	B54A GRN 240	N/A	N/A	FS-501-GR-20	N/A	H-164-A-GRN X 20	N/A
G134AOS1POP	-	-	N/A	N/A	-	N/A	-	N/A
G134AOS2POP	-	-	N/A	N/A	-	N/A	-	N/A
G134KO1POP	-	B54 KO6 GRN 120	N/A	N/A	FS-500-KO-GR-10	N/A	H-164-KO-GRN X 10	N/A
G134KO2POP	-	B54 KO6 GRN 240	N/A	N/A	FS-500-KO-GR-20	N/A	H-164-KO-GRN X 20	N/A

YELLOW ZINC (GOLD) » G134 – 13/16" X 1 5/8"

G-STRUT®	ANVIL	B-LINE/EATON	ELITE	ERICO/NVENT	FLEX-STRUT	FLORIDA/ZSI	HAYDON	PHD
G1341YZ	-	N/A	N/A	N/A	N/A	N/A	H-164-ZN X 10	N/A
G1342YZ	-	N/A	N/A	N/A	N/A	N/A	H-164-ZN X 20	N/A
G134H1YZ	-	N/A	N/A	N/A	N/A	N/A	H-164-RS-ZN X 10	N/A
G134H2YZ	-	N/A	N/A	N/A	N/A	N/A	H-164-RS-ZN X 20	N/A
G134OS1YZ	-	N/A	N/A	C14H1000CG	N/A	N/A	H-164-OS-ZN X 10	N/A
G134OS2YZ	-	N/A	N/A	C14H2000CG	N/A	N/A	H-164-OS-ZN X 20	N/A
G134LS1YZ	-	N/A	N/A	N/A	N/A	N/A	H-164-OS3-ZN X 10	N/A
G134LS2YZ	-	N/A	N/A	N/A	N/A	N/A	H-164-OS3-ZN X 20	N/A
G134A1YZ	-	N/A	N/A	N/A	N/A	N/A	H-164-A-ZN X 10	N/A
G134A2YZ	-	N/A	N/A	N/A	N/A	N/A	H-164-A-ZN X 20	N/A
G134AOS1YZ	-	N/A	N/A	N/A	N/A	N/A	-	N/A
G134AOS2YZ	-	N/A	N/A	N/A	N/A	N/A	-	N/A
G134KO1YZ	-	N/A	N/A	N/A	N/A	N/A	H-164-KO-ZN X 10	N/A
G134KO2YZ	-	N/A	N/A	N/A	N/A	N/A	H-164-KO-ZN X 20	N/A

ALUMINUM » G134 – 13/16" X 1 5/8"

G-STRUT®	ANVIL	B-LINE/EATON	ELITE	ERICO/NVENT	FLEX-STRUT	FLORIDA/ZSI	HAYDON	PHD
G1341AL	-	B54 AL 120	N/A	N/A	FS-500-AL-10	N/A	H-164-AL X 10	1301 AL (10)
G1342AL	-	B54 AL 240	N/A	N/A	FS-500-AL-20	N/A	H-164-AL X 20	1302 AL (20)
G134H1AL	-	B54 H178 AL 240	N/A	N/A	FS-500-H-AL-10	N/A	H-164-RS-AL X 10	1321 AL (10)
G134H2AL	-	B54 H178 AL 240	N/A	N/A	FS-500-H-AL-20	N/A	H-164-RS-AL X 20	1322 AL (20)
G134OS1AL	-	B54 SH AL 120	N/A	N/A	FS-500-SS-AL-10	N/A	H-164-OS-AL X 10	1311 AL (10)
G134OS2AL	-	B54 SH AL 240	N/A	N/A	FS-500-SS-AL-20	N/A	H-164-OS-AL X 20	1312 AL (20)
G134LS1AL	-	B54 S AL 120	N/A	N/A	FS-500-SL-AL-10	N/A	H-164-OS3-AL X 10	1331 AL (10)
G134LS2AL	-	B54 S AL 240	N/A	N/A	FS-500-SL-AL-20	N/A	H-164-OS3-AL X 20	1332 AL (20)
G134A1AL	-	B54A AL 120	N/A	N/A	FS-501-AL-10	N/A	H-164-A-AL X 10	1301A AL (10)
G134A2AL	-	B54A AL 240	N/A	N/A	FS-501-AL-20	N/A	H-164-A-AL X 20	1302A AL (20)
G134AOS1AL	-	-	N/A	N/A	-	N/A	-	1311A AL (10)
G134AOS2AL	-	-	N/A	N/A	-	N/A	-	1312A AL (20)
G134KO1AL	-	B54 KO6 AL 120	N/A	N/A	FS-500-KO-AL-10	N/A	H-164-KO-AL X 10	1341 AL (10)
G134KO2AL	-	B54 KO6 AL 240	N/A	N/A	FS-500-KO-AL-20	N/A	H-164-KO-AL X 20	1342 AL (20)

GALVANNEALED WIZCOAT™ » G134 – 13/16" X 1 5/8"

G-STRUT®	ANVIL	B-LINE/EATON	ELITE	ERICO/NVENT	FLEX-STRUT	FLORIDA/ZSI	HAYDON	PHD
G1341GN	N/A	N/A	N/A	N/A	N/A	N/A	N/A	N/A
G1342GN	N/A	N/A	N/A	N/A	N/A	N/A	N/A	N/A
G134H1GN	N/A	N/A	N/A	N/A	N/A	N/A	N/A	N/A
G134H2GN	N/A	N/A	N/A	N/A	N/A	N/A	N/A	N/A
G134OS1GN	N/A	N/A	N/A	N/A	N/A	N/A	N/A	N/A
G134OS2GN	N/A	N/A	N/A	N/A	N/A	N/A	N/A	N/A
G134LS1GN	N/A	N/A	N/A	N/A	N/A	N/A	N/A	N/A
G134LS2GN	N/A	N/A	N/A	N/A	N/A	N/A	N/A	N/A
G134A1GN	N/A	N/A	N/A	N/A	N/A	N/A	N/A	N/A
G134A2GN	N/A	N/A	N/A	N/A	N/A	N/A	N/A	N/A
G134AOS1GN	N/A	N/A	N/A	N/A	N/A	N/A	N/A	N/A
G134AOS2GN	N/A	N/A	N/A	N/A	N/A	N/A	N/A	N/A
G134KO1GN	N/A	N/A	N/A	N/A	N/A	N/A	N/A	N/A
G134KO2GN	N/A	N/A	N/A	N/A	N/A	N/A	N/A	N/A

STRUT INDUSTRY PRODUCT CODES » G134

13/16" X 1 5/8"

PRE-GALVANIZED » G134 - 13/16" X 1 5/8"

G-STRUT®	POWER/ATKORE	PUPCO	SASCO	SUPERSTRUT/ ABB	UNISTRUT/ATKORE	VERSABAR/ZSI	WESANCO/ZSI
G1341	PS 500 10 PG	AS-164-PG (10)	S7G (10)	B1400 10PG	P4100 10PG	VA-4 (10)	W-500 PRE-GALV (10)
G1342	PS 500 20 PG	AS-164-PG (20)	S7G (20)	B1400 20PG	P4100 20PG	VA-4 (20)	W-500 PRE-GALV (20)
G134H1	PS 500 H 10 PG	AS-164-RS-PG (10)	S7H112G (10)	B1400H 10PG	P4100 HS 10PG	VA-4P1.87 (10)	W-500 H PRE-GALV (10)
G134H2	PS 500 H 20 PG	AS-164-RS-PG (20)	S7H112G (20)	B1400H 20PG	P4100 HS 20PG	VA-4P1.87 (20)	W-500 H PRE-GALV (20)
G134OS1	PS 500 EH 10 PG	AS-164-OS-PG (10)	S7SL2G (10)	B1400HS 10PG	P4100 T 10PG	VA-4PLH (10)	W-500 SS PRE-GALV (10)
G134OS2	PS 500 EH 20 PG	AS-164-OS-PG (20)	S7SL2G (20)	B1400HS 20PG	P4100 T 20PG	VA-4PLH (20)	W-500 SS PRE-GALV (20)
G134LS1	PS 500 S 10 PG	AS-164-SL-PG (10)	S7SL4G (10)	B1400LS 10PG	P4100 SL 10PG	VA-4P3S (10)	W-500 SL PRE-GALV (10)
G134LS2	PS 500 S 20 PG	AS-164-SL-PG (20)	S7SL4G (20)	B1400LS 20PG	P4100 SL 20PG	VA-4P3S (20)	W-500 SL PRE-GALV (20)
G134A1	PS 500 2T3 10 PG	AS-164A-PG (10)	S7BB-G (10)	B1400-2 10PG	P4101 10PG	VA-4201 (10)	W-501 PRE-GALV (10)
G134A2	PS 500 2T3 20 PG	AS-164A-PG (20)	S7BB-G (20)	B1400-2 20PG	P4101 20PG	VA-4201 (20)	W-501 PRE-GALV (20)
G134AOS1	PS 500 2T3 EH 10 PG	AS-164A-OS-PG (10)	-	B1400-2HS 10PG	N/A	N/A	W-501 OS PRE-GALV (10)
G134AOS2	PS 500 2T3 EH 20 PG	AS-164A-OS-PG (20)	-	B1400-2HS 20PG	N/A	N/A	W-501 OS PRE-GALV (20)
G134KO1	N/A	AS-164-KO-PG (10)	S7KO6G (10)	N/A	N/A	N/A	W-500 KO PRE-GALV (10)
G134KO2	N/A	AS-164-KO-PG (20)	S7KO6G (20)	N/A	N/A	N/A	W-500 KO PRE-GALV (20)

GREEN » G134 - 13/16" X 1 5/8"

G-STRUT®	POWER/ATKORE	PUPCO	SASCO	SUPERSTRUT/ ABB	UNISTRUT/ATKORE	VERSABAR/ZSI	WESANCO/ZSI
G1341POP	PS 500 10 GR	AS-164-GR (10)	-	B1400 10GR	P4100 10GR	VA-4 GR(10)	W-500 GREEN (10)
G1342POP	PS 500 20 GR	AS-164-GR (20)	-	B1400 20GR	P4100 20GR	VA-4 GR(20)	W-500 GREEN (20)
G134H1POP	PS 500 H 10 GR	AS-164-RS-GR (10)	-	B1400H 10GR	P4100 HS 10GR	VA-4P1.87 GR(10)	W-500 H GREEN (10)
G134H2POP	PS 500 H 20 GR	AS-164-RS-GR (20)	-	B1400H 20GR	P4100 HS 20GR	VA-4P1.87 GR(20)	W-500 H GREEN (20)
G134OS1POP	PS 500 EH 10 GR	AS-164-OS-GR (10)	-	B1400HS 10GR	P4100 T 10GR	VA-4PLH GR (10)	W-500 SS GREEN (10)
G134OS2POP	PS 500 EH 20 GR	AS-164-OS-GR (20)	-	B1400HS 20GR	P4100 T 20GR	VA-4PLH GR (20)	W-500 SS GREEN (20)
G134LS1POP	PS 500 S 10 GR	AS-164-SL-GR (10)	-	B1400LS 10GR	P4100 SL 10GR	VA-4P3S GR (10)	W-500 SL GREEN (10)
G134LS2POP	PS 500 S 20 GR	AS-164-SL-GR (20)	-	B1400LS 20GR	P4100 SL 20GR	VA-4P3S GR (20)	W-500 SL GREEN (20)
G134A1POP	PS 500 2T3 10 GR	AS-164A-GR (10)	-	B1400-2 10GR	P4101 10GR	VA-4201 GR (10)	W-501 GREEN (10)
G134A2POP	PS 500 2T3 20 GR	AS-164A-GR (20)	-	B1400-2 20GR	P4101 20GR	VA-4201 GR (20)	W-501 GREEN (20)
G134AOS1POP	PS 500 EH 2T3 10 GR	AS-164A-OS-GR (10)	-	B1400-2HS 10GR	N/A	N/A	W-501 OS GREEN (10)
G134AOS2POP	PS 500 EH 2T3 20 GR	AS-164A-OS-GR (20)	-	B1400-2HS 20GR	N/A	N/A	W-501 OS GREEN(20)
G134KO1POP	N/A	AS-164-KO-GR (10)	-	N/A	N/A	N/A	W-500 KO GREEN (10)
G134KO2POP	N/A	AS-164-KO-GR (20)	-	N/A	N/A	N/A	W-500 KO GREEN (20)

YELLOW ZINC (GOLD) » G134 - 13/16" X 1 5/8"

G-STRUT®	POWER/ATKORE	PUPCO	SASCO	SUPERSTRUT/ ABB	UNISTRUT/ATKORE	VERSABAR/ZSI	WESANCO/ZSI
G1341YZ	PS 500 10 ZD	AS-164-GD (10)	-	-	N/A	N/A	-
G1342YZ	PS 500 20 ZD	AS-164-GD (20)	-	-	N/A	N/A	-
G134H1YZ	PS 500 H 10 ZD	AS-164-RS-GD (10)	-	-	N/A	N/A	-
G134H2YZ	PS 500 H 20 ZD	AS-164-RS-GD (20)	-	-	N/A	N/A	-
G134OS1YZ	PS 500 EH 10 ZD	AS-164-OS-GD (10)	-	-	N/A	N/A	-
G134OS2YZ	PS 500 EH 20 ZD	AS-164-OS-GD (20)	-	-	N/A	N/A	-
G134LS1YZ	PS 500 S 10 ZD	AS-164-SL-GD (10)	-	-	N/A	N/A	-
G134LS2YZ	PS 500 S 20 ZD	AS-164-SL-GD (20)	-	-	N/A	N/A	-
G134A1YZ	PS 500 2T3 10 ZD	AS-164A-GD (10)	-	-	N/A	N/A	-
G134A2YZ	PS 500 2T3 20 ZD	AS-164A-GD (20)	-	-	N/A	N/A	-
G134AOS1YZ	PS 500 EH 2T3 10 ZD	AS-164A-OS-GD (10)	-	-	N/A	N/A	-
G134AOS2YZ	PS 500 EH 2T3 20 ZD	AS-164A-OS-GD (20)	-	-	N/A	N/A	-
G134KO1YZ	N/A	AS-164-KO-GD (10)	-	-	N/A	N/A	-
G134KO2YZ	N/A	AS-164-KO-GD (20)	-	-	N/A	N/A	-

ALUMINIUM » G134 - 13/16" X 1 5/8"

G-STRUT®	POWER/ATKORE	PUPCO	SASCO	SUPERSTRUT/ ABB	UNISTRUT/ATKORE	VERSABAR/ZSI	WESANCO/ZSI
G1341AL	PS 500 10 AL	AS-164-AL (10)	S7AL (10)	B1400 10AL	N/A	VA-4 AL(10)	N/A
G1342AL	PS 500 20 AL	AS-164-AL (20)	S7AL (20)	B1400 20AL	N/A	VA-4 AL(20)	N/A
G134H1AL	PS 500 H 10 AL	AS-164-RS-AL (10)	S7H112AL (10)	B1400H 10AL	N/A	VA-4P1.87 AL(10)	N/A
G134H2AL	PS 500 H 20 AL	AS-164-RS-AL (20)	S7H112AL (20)	B1400H 20AL	N/A	VA-4P1.87 AL(20)	N/A
G134OS1AL	PS 500 EH 10 AL	AS-164-OS-AL (10)	S7SL2AL (10)	B1400HS 10AL	N/A	VA-4PLH AL(10)	N/A
G134OS2AL	PS 500 EH 20 AL	AS-164-OS-AL (20)	S7SL2AL (20)	B1400HS 20AL	N/A	VA-4PLH AL(20)	N/A
G134LS1AL	PS 500 S 10 AL	AS-164-SL-AL (10)	S7SL4AL (10)	B1400LS 10AL	N/A	VA-4P3S AL(10)	N/A
G134LS2AL	PS 500 S 20 AL	AS-164-SL-AL (20)	S7SL4AL (20)	B1400LS 20AL	N/A	VA-4P3S AL(20)	N/A
G134A1AL	PS 500 2T3 10 AL	AS-164A-AL (10)	S7BB-AL (10)	B1400-2 10AL	N/A	VA-4201 AL(10)	N/A
G134A2AL	PS 500 2T3 20 AL	AS-164A-AL (20)	S7BB-AL (20)	B1400-2 20AL	N/A	VA-4201 AL(20)	N/A
G134AOS1AL	PS 500 EH 2T3 10 AL	AS-164A-OS-AL (10)	-	B1400-2HS 10AL	N/A	N/A	N/A
G134AOS2AL	PS 500 EH 2T3 20 AL	AS-164A-OS-AL (20)	-	B1400-2HS 20AL	N/A	N/A	N/A
G134KO1AL	N/A	AS-164-KO-AL (10)	S7KO6AL (10)	N/A	N/A	N/A	N/A
G134KO2AL	N/A	AS-164-KO-AL (20)	S7KO6AL (20)	N/A	N/A	N/A	N/A

GALVANNEALED WIZCOAT™ » G134 - 13/16" X 1 5/8"

G-STRUT®	POWER/ATKORE	PUPCO	SASCO	SUPERSTRUT/ ABB	UNISTRUT/ATKORE	VERSABAR/ZSI	WESANCO/ZSI
G1341GN	N/A	N/A	N/A	N/A	N/A	N/A	N/A
G1342GN	N/A	N/A	N/A	N/A	N/A	N/A	N/A
G134H1GN	N/A	N/A	N/A	N/A	N/A	N/A	N/A
G134H2GN	N/A	N/A	N/A	N/A	N/A	N/A	N/A
G134OS1GN	N/A	N/A	N/A	N/A	N/A	N/A	N/A
G134OS2GN	N/A	N/A	N/A	N/A	N/A	N/A	N/A
G134LS1GN	N/A	N/A	N/A	N/A	N/A	N/A	N/A
G134LS2GN	N/A	N/A	N/A	N/A	N/A	N/A	N/A
G134A1GN	N/A	N/A	N/A	N/A	N/A	N/A	N/A
G134A2GN	N/A	N/A	N/A	N/A	N/A	N/A	N/A
G134AOS1GN	N/A	N/A	N/A	N/A	N/A	N/A	N/A
G134AOS2GN	N/A	N/A	N/A	N/A	N/A	N/A	N/A
G134KO1GN	N/A	N/A	N/A	N/A	N/A	N/A	N/A
G134KO2GN	N/A	N/A	N/A	N/A	N/A	N/A	N/A

STRUT INDUSTRY PRODUCT CODES » G134

13/16" X 1 5/8"

PLAIN » G134 – 13/16" X 1 5/8"

	G-STRUT®	ANVIL	B-LINE/EATON	ELITE	ERICO/NVENT	FLEX-STRUT	FLORIDA/ZSI	HAYDON	PHD
	G1341PO	AS 500-PL 10	B54 PLN 120	N/A	N/A	FS-500-PL-10	-	H-164-PL X 10	1301 PL (10)
	G1342PO	AS 500-PL 20	B54 PLN 240	N/A	N/A	FS-500-PL-20	-	H-164-PL X 20	1302 PL (20)
	G134H1PO	AS 500H-PL 10	B42 H178 PLN 120	N/A	N/A	FS-500-H-PL-10	-	H-164-RS-PL X 10	1321 PL (10)
	G134H2PO	AS 500H-PL 20	B42 H178 PLN 240	N/A	N/A	FS-500-H-PL-20	-	H-164-RS-PL X 20	1322 PL (20)
	G134OS1PO	AS 500EH-PL 10	B54 SH PLN 120	N/A	N/A	FS-500-SS-PL-10	FS141316-10-PLAIN	H-164-OS-PL X 10	1311 PL (10)
	G134OS2PO	AS 500EH-PL 20	B54 SH PLN 240	N/A	N/A	FS-500-SS-PL-20	FS141316-20-PLAIN	H-164-OS-PL X 20	1312 PL (20)
	G134LS1PO	AS 500S-PL 10	B54 S PLN 120	N/A	N/A	FS-500-SL-PL-10	-	H-164-OS3-PL X 10	1331 PL (10)
	G134LS2PO	AS 500S-PL 20	B54 S PLN 240	N/A	N/A	FS-500-SL-PL-20	-	H-164-OS3-PL X 20	1332 PL (20)
	G134A1PO	AS 500BTB-PL 10	B54A PLN 120	N/A	N/A	FS-501-PL-10	-	H-164-A-PL X 10	1301A PL (10)
	G134A2PO	AS 500BTB-PL 20	B54A PLN 240	N/A	N/A	FS-501-PL-20	-	H-164-A-PL X 20	1302A PL (20)
	G134AOS1PO	-	-	N/A	N/A	-	FS141316BB-10-PLAIN	-	1311A PL (10)
	G134AOS2PO	-	-	N/A	N/A	-	FS141316BB-20-PLAIN	-	1312A PL (20)
	G134KO1PO	-	B54 KO6 PLN 120	N/A	N/A	FS-500-KO-PL-10	-	H-164-KO-PL 10	1341 PL (10)
	G134KO2PO	-	B54 KO6 PLN 240	N/A	N/A	FS-500-KO-PL-20	-	H-164-KO-PL X 20	1342 PL (20)

HOT-DIPPED GALVANIZED » G134 – 13/16" X 1 5/8"

	G-STRUT®	ANVIL	B-LINE/EATON	ELITE	ERICO/NVENT	FLEX-STRUT	FLORIDA/ZSI	HAYDON	PHD
	G1341HDG	-	B54 HDG 120	N/A	N/A	FS-500-HD-10	-	-	1301 HD (10)
	G1342HDG	-	B54 HDG 240	N/A	N/A	FS-500-HD-20	-	-	1302 HD (20)
	G134H1HDG	-	B54 H178 HDG 120	N/A	N/A	FS-500-H-HD-10	-	-	1321 HD (10)
	G134H2HDG	-	B54 H178 HDG 240	N/A	N/A	FS-500-H-HD-20	-	-	1322 HD (20)
	G134OS1HDG	-	B54 SH HDG 120	N/A	N/A	FS-500-SS-HD-10	FS141316-10-HD	-	1311 HD (10)
	G134OS2HDG	-	B54 SH HDG 240	N/A	N/A	FS-500-SS-HD-20	FS141316-20-HD	-	1312 HD (20)
	G134LS1HDG	-	B54 S HDG 120	N/A	N/A	FS-500-SL-HD-10	-	-	1331 HD (10)
	G134LS2HDG	-	B54 S HDG 240	N/A	N/A	FS-500-SL-HD-20	-	-	1332 HD (20)
	G134A1HDG	-	B54A HDG 120	N/A	N/A	FS-501-HD-10	-	-	1301A HD (10)
	G134A2HDG	-	B54A HDG 240	N/A	N/A	FS-501-HD-20	-	-	1302A HD (20)
	G134AOS1HDG	-	-	N/A	N/A	-	FS141316BB-10-HD	-	1311A HD (10)
	G134AOS2HDG	-	-	N/A	N/A	-	FS141316BB-20-HD	-	1312A HD (20)
	G134KO1HDG	-	B54 KO6 HDG 120	N/A	N/A	FS-500-KO-HD-10	-	-	1341 HD (10)
	G134KO2HDG	-	B54 KO6 HDG 240	N/A	N/A	FS-500-KO-HD-20	-	-	1342 HD (20)

STAINLESS STEEL (GRADE 304) » G134 – 13/16" X 1 5/8"

	G-STRUT®	ANVIL	B-LINE/EATON	ELITE	ERICO/NVENT	FLEX-STRUT	FLORIDA/ZSI	HAYDON	PHD
	G1341SS	-	B54 SS4 120	N/A	C141000S4	FS-500-ST4-10	-	H-164-SS X 10	1301 SS304 (10)
	G1342SS	-	B54 SS4 240	N/A	C142000S4	FS-500-ST4-20	-	H-164-SS X 20	1302 SS304 (20)
	G134H1SS	-	B54 H178 SS4 120	N/A	-	FS-500-H-ST4-10	-	H-164-RS-SS X 10	1321 SS304 (10)
	G134H2SS	-	B54 H178 SS4 240	N/A	-	FS-500-H-ST4-20	-	H-164-RS-SS X 20	1322 SS304 (20)
	G134OS1SS	-	B54 SH SS4 120	N/A	C14HS1000S4	FS-500-SS-ST4-10	FS141316-10-SS	H-164-OS-SS X 10	1311 SS304 (10)
	G134OS2SS	-	B54 SH SS4 240	N/A	C14HS2000S4	FS-500-SS-ST4-20	FS141316-20-SS	H-164-OS-SS X 20	1312 SS304 (20)
	G134LS1SS	-	B54 S SS4 120	N/A	-	FS-500-SL-ST4-10	-	H-164-OS3-SS X 10	1331 SS304 (10)
	G134LS2SS	-	B54 S SS4 240	N/A	-	FS-500-SL-ST4-20	-	H-164-OS3-SS X 20	1332 SS304 (20)
	G134A1SS	-	B54A SS4 120	N/A	-	FS-501-ST4-10	-	H-164-A-SS X 10	1301A SS304 (10)
	G134A2SS	-	B54A SS4 240	N/A	-	FS-501-ST4-20	-	H-164-A-SS X 20	1302A SS304 (20)
	G134AOS1SS	-	-	N/A	-	-	FS141316BB-10-SS	-	1311A SS304 (10)
	G134AOS2SS	-	-	N/A	-	-	FS141316BB-20-SS	-	1312A SS304 (20)
	G134KO1SS	-	B54 KO6 SS4 120	N/A	-	FS-500-KO-ST4-10	-	H-164-KO-SS X 10	1341 SS304 (10)
	G134KO2SS	-	B54 KO6 SS4 240	N/A	-	FS-500-KO-ST4-20	-	H-164-KO-SS X 20	1342 SS304 (20)

STAINLESS STEEL (GRADE 316) » G134 – 13/16" X 1 5/8"

	G-STRUT®	ANVIL	B-LINE/EATON	ELITE	ERICO/NVENT	FLEX-STRUT	FLORIDA/ZSI	HAYDON	PHD
	G1341SS(316)	-	B54 SS6 120	N/A	N/A	FS-500-ST6-10	-	H-164-SS(316) X 10	1301 SS304 (10)
	G1342SS(316)	-	B54 SS6 240	N/A	N/A	FS-500-ST6-20	-	H-164-SS(316) X 20	1302 SS304 (20)
	G134H1SS(316)	-	B54 H178 SS6 120	N/A	N/A	FS-500-H-ST6-10	-	H-164-RS-SS(316) X 10	1321 SS304 (10)
	G134H2SS(316)	-	B54 H178 SS6 240	N/A	N/A	FS-500-H-ST6-20	-	H-164-RS-SS(316) X 20	1322 SS304 (20)
	G134OS1SS(316)	-	B54 SH SS6 120	N/A	N/A	FS-500-SS-ST6-10	FS141316-10-SS(316)	H-164-OS-SS(316) X 10	1311 SS304 (10)
	G134OS2SS(316)	-	B54 SH SS6 240	N/A	N/A	FS-500-SS-ST6-20	FS141316-20-SS(316)	H-164-OS-SS(316) X 20	1312 SS304 (20)
	G134LS1SS(316)	-	B54 S SS6 120	N/A	N/A	FS-500-SL-ST6-10	-	H-164-OS3-SS(316) X 10	1331 SS304 (10)
	G134LS2SS(316)	-	B54 S SS6 240	N/A	N/A	FS-500-SL-ST6-20	-	H-164-OS3-SS(316) X 20	1332 SS304 (20)
	G134A1SS(316)	-	B54A SS6 120	N/A	N/A	FS-501-ST6-10	-	H-164-A-SS(316) X 10	1301A SS304 (10)
	G134A2SS(316)	-	B54A SS6 240	N/A	N/A	FS-501-ST6-20	-	H-164-A-SS(316) X 20	1302A SS304 (20)
	G134AOS1SS(316)	-	-	N/A	N/A	-	FS141316BB-10-SS(316)	-	1311A SS304 (10)
	G134AOS2SS(316)	-	-	N/A	N/A	-	FS141316BB-20-SS(316)	-	1312A SS304 (20)
	G134KO1SS(316)	-	B54 KO6 SS6 120	N/A	N/A	FS-500-KO-ST6-10	-	H-164-KO-SS(316) X 10	1341 SS304 (10)
	G134KO2SS(316)	-	B54 KO6 SS6 240	N/A	N/A	FS-500-KO-ST6-20	-	H-164-KO-SS(316) X 20	1342 SS304 (20)

PVC COATED » G134 – 13/16" X 1 5/8"

	G-STRUT®	ANVIL	B-LINE/EATON	ELITE	ERICO/NVENT	FLEX-STRUT	FLORIDA/ZSI	HAYDON	PHD
	G1341PVC	-	N/A	N/A	N/A	N/A	N/A	H-164-PVC X 10	1301 SS 316 (10)
	G1342PVC	-	N/A	N/A	N/A	N/A	N/A	H-164-PVC X 20	1302 SS316 (20)
	G134H1PVC	-	N/A	N/A	N/A	N/A	N/A	H-164-RS-PVC X 10	1321 SS316 (10)
	G134H2PVC	-	N/A	N/A	N/A	N/A	N/A	H-164-RS-PVC X 20	1322 SS316 (20)
	G134OS1PVC	-	N/A	N/A	N/A	N/A	N/A	H-164-OS-PVC X 10	1311 SS316 (10)
	G134OS2PVC	-	N/A	N/A	N/A	N/A	N/A	H-164-OS-PVC X 20	1312 SS316 (20)
	G134LS1PVC	-	N/A	N/A	N/A	N/A	N/A	H-164-OS3-PVC X 10	1331 SS316 (10)
	G134LS2PVC	-	N/A	N/A	N/A	N/A	N/A	H-164-OS3-PVC X 20	1332 SS316 (20)
	G134A1PVC	-	N/A	N/A	N/A	N/A	N/A	H-164-A-PVC X 10	1301A SS316 (10)
	G134A2PVC	-	N/A	N/A	N/A	N/A	N/A	H-164-A-PVC X 20	1302A SS316 (20)
	G134AOS1PVC	-	N/A	N/A	N/A	N/A	N/A	-	1311A SS316 (10)
	G134AOS2PVC	-	N/A	N/A	N/A	N/A	N/A	-	1312A SS316 (20)
	G134KO1PVC	-	N/A	N/A	N/A	N/A	N/A	H-164-KO-PVC X 10	1341 SS316 (10)
	G134KO2PVC	-	N/A	N/A	N/A	N/A	N/A	H-164-KO-PVC X 20	1342 SS316 (20)

STRUT INDUSTRY PRODUCT CODES » G134

13/16" X 1 5/8"

PLAIN » G134 - 13/16" X 1 5/8"

Table with 9 columns: G-STRUT®, POWER/ATKORE, PUPCO, SASCO, SUPERSTRUT/ ABB, UNISTRUT/ATKORE, VERSABAR/ZSI, WESANCO/ZSI. Rows include G1341PO, G1342PO, G134H1PO, G134H2PO, G134OS1PO, G134OS2PO, G134LS1PO, G134LS2PO, G134A1PO, G134A2PO, G134AOS1PO, G134AOS2PO, G134KO1PO, G134KO2PO.

HOT-DIPPED GALVANIZED » G134 - 13/16" X 1 5/8"

Table with 9 columns: G-STRUT®, POWER/ATKORE, PUPCO, SASCO, SUPERSTRUT/ ABB, UNISTRUT/ATKORE, VERSABAR/ZSI, WESANCO/ZSI. Rows include G1341HDG, G1342HDG, G134H1HDG, G134H2HDG, G134OS1HDG, G134OS2HDG, G134LS1HDG, G134LS2HDG, G134A1HDG, G134A2HDG, G134AOS1HDG, G134AOS2HDG, G134KO1HDG, G134KO2HDG.

STAINLESS STEEL (GRADE 304) » G134 - 13/16" X 1 5/8"

Table with 9 columns: G-STRUT®, POWER/ATKORE, PUPCO, SASCO, SUPERSTRUT/ ABB, UNISTRUT/ATKORE, VERSABAR/ZSI, WESANCO/ZSI. Rows include G1341SS, G1342SS, G134H1SS, G134H2SS, G134OS1SS, G134OS2SS, G134LS1SS, G134LS2SS, G134A1SS, G134A2SS, G134AOS1SS, G134AOS2SS, G134KO1SS, G134KO2SS.

STAINLESS STEEL (GRADE 316) » G134 - 13/16" X 1 5/8"

Table with 9 columns: G-STRUT®, POWER/ATKORE, PUPCO, SASCO, SUPERSTRUT/ ABB, UNISTRUT/ATKORE, VERSABAR/ZSI, WESANCO/ZSI. Rows include G1341SS(316), G1342SS(316), G134H1SS(316), G134H2SS(316), G134OS1SS(316), G134OS2SS(316), G134LS1SS(316), G134LS2SS(316), G134A1SS(316), G134A2SS(316), G134AOS1SS(316), G134AOS2SS(316), G134KO1SS(316), G134KO2SS(316).

PVC COATED » G134 - 13/16" X 1 5/8"

Table with 9 columns: G-STRUT®, POWER/ATKORE, PUPCO, SASCO, SUPERSTRUT/ ABB, UNISTRUT/ATKORE, VERSABAR/ZSI, WESANCO/ZSI. Rows include G1341PVC, G1342PVC, G134H1PVC, G134H2PVC, G134OS1PVC, G134OS2PVC, G134LS1PVC, G134LS2PVC, G134A1PVC, G134A2PVC, G134AOS1PVC, G134AOS2PVC, G134KO1PVC, G134KO2PVC.

STRUT INDUSTRY PRODUCT CODES >>

ACCESSORIES

CHANNEL NUTS >> NO SPRING

G-STRUT™	ANVIL	B-LINE/EATON	ELITE	ERICO/NVENT	FLEX-STRUT	FLORIDA/ZSI	HAYDON	PHD
GN800	AS NS EG 1/4" X 20	N224WO	9SNUT025G	NUT0008EG	FS-1/4NS	CNN20025EG	N-800	3004
GN801	AS NS EG 3/8" X 16	N228WO	9SNUT037G	NUT00037EG	FS-3/8NS	CNN30037EG	N-801	3006
GN802	AS NS EG 1/2" X 13	N525WO	9SNUT050G	N/A	FS-1/2NSS	CNN30050EG	N-802	N/A
GN803	AS NS S EG 1/2" X 13	N225WO	N/A	NUT0050EG	FS-1/2NS	CNN40050EG	N-803	3008
GN804	AS NS EG 5/8" X 11	**N255WO (5/8X11X1/2)	N/A	N/A	FS-5/8NS	**CNN40062EG (5/8 X 11 X 1/2)	N-804	N/A
GN805	AS NS EG 3/4" X 10	**N275WO (3/4X10X1/2)	N/A	N/A	FS-3/4NS	**CNN40075EG (3/4 X 10 X 1/2)	N-805	N/A
GN806	AS NS S EG 5/8 X 11	N555WO	9SNUT062G	N/A	FS-5/8NS	CNN30062EG	N-806	**3009 (5/8 X 1/2)
GN807	AS NS S EG 3/4 X 10	N575WO	9SNUT075G	N/A	N/A	CNN30075EG	N-807	**3010 (3/4 X 1/2)
GN808	AS NS EG 5/16 X 18	**N223WO (5/16X18X1/4)	N/A	NUT00031EG	FS-5/16NS	CNN30031EG	N-808	**3005 (5/16 X 1/4)
GN809	N/A	**N278WO (7/8X9X1/2)	N/A	NUT00087EG	N/A	**CNN40087EG (7/8 X 9 X 1/2)	N-809	**3011 (7/8 X 1/2)

CHANNEL NUTS >> SHORT SPRING

G-STRUT™	ANVIL	B-LINE/EATON	ELITE	ERICO/NVENT	FLEX-STRUT	FLORIDA/ZSI	HAYDON	PHD
GN810	AS SS EG 1/4" X 20	N524	9SSP2025G	SPRC0025EG	FS-1/4SS	CNS20025EG	N-810	3204
GN811	AS SS EG 3/8" X 16	N528	9SSP2037G	SPRC0037EG	FS-3/8SS	CNS30037EG	N-811	3206
GN812	AS SS EG 1/2" X 13	N525	9SSP2050G	SPRC0050EG	FS-1/2SS	CNS30050EG	N-812	3208
GN814	AS SS EG 5/8" X 11	N555	N/A	SPRC0062EG	FS-5/8SS	CNS30062EG	N-814	3209
GN815	N/A	N575	N/A	SPRC0075EG	N/A	N/A	N-815	3210
GN818	AS SS EG 5/16" X 18	**N523 (5/16X18X1/4)	N/A	SPRC0031EG	FS-5/16SS	CNS30031EG	N-818	3205

CHANNEL NUTS >> REGULAR SPRING

G-STRUT™	ANVIL	B-LINE/EATON	ELITE	ERICO/NVENT	FLEX-STRUT	FLORIDA/ZSI	HAYDON	PHD
GN820	AS RS EG 1/4" X 20	N224	9SSP1025G	SPRA0025EG	FS-1/4RS	CNR20025EG	N-820	3104
GN821	AS RS EG 3/8" X 16	N228	9SSP1037G	SPRA0037EG	FS-3/8RS	CNR30037EG	N-821	3106
GN822	AS RS EG 1/2" X 13	N/A	N/A	N/A	N/A	CNR30050EG	N-822	N/A
GN823	N/A	**N225 (1/2X13X1/2)	9SSP1050G	SPRA0050EG	FS-1/2RS	CNR40050EG	N-823	3108
GN824	AS RS EG 5/8" X 11	**N255 (5/8 X 11 X 1/2)	N/A	SPRA0062EG	FS-5/8RS	**CNR40062EG (5/8 X 11 X 1/2)	N-824	3109
GN825	AS RS EG 3/4 X 10	**N275 (3/4 X 10 X 1/2)	N/A	SPRA0075EG	FS-3/4RS	**CNR40075EG (3/4 X 10 X 1/2)	N-825	3110
GN828	AS RS EG 5/16 X 18	**N223 (5/16 X 18 X 1/4)	N/A	SPRA0031EG	FS-5/16RS	CNR30031EG	N-828	3105
GN829	AS RS EG 7/8 X 9	**N278 (7/8 X 9 X 1/2)	N/A	SPRA0087EG	FS-7/8RS	**CNR40087EG (7/8 X 9 X 1/2)	N-829	3111

CHANNEL NUTS >> LONG SPRING

G-STRUT™	ANVIL	B-LINE/EATON	ELITE	ERICO/NVENT	FLEX-STRUT	FLORIDA/ZSI	HAYDON	PHD
GN830	AS LS EG 1/4" X 20	N724	N/A	SPRD0025RG	FS-1/4LS	CNL20025EG	N-830	3304
GN831	AS LS EG 3/8" X 16	N728	N/A	SPRD0037EG	FS-3/8LS	CNL30037EG	N-831	3306
GN832	AS LS EG 1/2" X 13	N/A	N/A	SPRD0050EG	N/A	N/A	N-832	N/A
GN833	N/A	N725	N/A	N/A	FS-1/2LS	CNL40050EG	N-833	3308
GN834	AS LS EG 5/8" X 11	**N755 (5/8 - 11 X 1/2)	N/A	SPRD0062EG	FS-5/8LS	N/A	N-834	3309
GN835	AS LS EG 3/4" X 10	**N775 (3/4 - 10 X 1/2)	N/A	SPRD0075EG	FS-3/4LS	N/A	N-835	3310
GN838	N/A	**N723 (5/16 X 18 X 1/4)	N/A	N/A	N/A	N/A	N-838	3305

TOP SPRING NUT >>

G-STRUT™	ANVIL	B-LINE/EATON	ELITE	ERICO/NVENT	FLEX-STRUT	FLORIDA/ZSI	HAYDON	PHD
GTSN800	AS TG EG 1/4" X 20	TN224	9SSPT025G	TSNT0002EG	FS-1/4TG	CNT20025EG	TSN-800	3404
GTSN801	AS TG EG 3/8" X 16	TN228	9SSPT037G	TSNT00037EG	FS-3/8TG	CNT30037EG	TSN-801	3406
GTSN802	AS TG EG 1/2" X 13	TN525	N/A	TSNT0050EG	FS-1/2TGS	CNT30050EG	TSN-802	3408
GTSN808	-	**TN223 (5/16 - 18 X 1/4)	N/A	N/A	FS-5/16TG	N/A	TSN-808	N/A

HEX HEAD CAP SCREWS >>

G-STRUT™	ANVIL	B-LINE/EATON	ELITE	ERICO/NVENT	FLEX-STRUT	FLORIDA/ZSI	HAYDON	PHD
GHH25050	N/A	1/4 X 1/2 HHCS	N/A	N/A	FS-7400	N/A	HEX HEAD 1/4 X 1/2	N/A
GHH25075	AS 6024 EG 1/4" X 3/4"	1/4 X 3/4 HHCS	N/A	N/A	FS-7401	HCS2507EG	HEX HEAD 1/4 X 3/4	N/A
GHH25100	AS 6024 EG 1/4" X 1	1/4 X 1 HHCS	N/A	N/A	FS-7402	HCS2510EG	HEX HEAD 1/4 X 1	N/A
GHH375075	AS 6024 EG 3/8" X 3/4"	3/8 X 3/4 HHCS	N/A	HSCR3707EG	FS-7403	HCS3707EG	HEX HEAD 3/8 X 3/4	N/A
GHH375100	AS 6024 EG 3/8" X 1"	3/8 X 1 HHCS	N/A	HSCR3710EG	FS-7404	HCS3710EG	HEX HEAD 3/8 X 1	N/A
GHH375125	AS 6024 EG 3/8" X 1 1/4"	3/8 X 1 1/4 HHCS	N/A	HSCR3712EG	FS-7405	HCS3712EG	HEX HEAD 3/8 X 1 1/4	N/A
GHH375150	AS 6024 EG 3/8" X 1 1/2"	3/8 X 1 1/2 HHCS	N/A	HSCR3715EG	FS-7406	HCS3715EG	HEX HEAD 3/8 X 1 1/2	N/A
GHH375200	AS 6024 EG 3/8" X 2"	3/8 X 2 HHCS	N/A	HSCR3720EG	FS-7407	HCS3720EG	HEX HEAD 3/8 X 2	N/A
GHH375225	N/A	3/8 X 2 1/4 HHCS	N/A	HSCR5010EG	FS-7408	N/A	N/A	N/A
GHH50100	AS 6024 EG 1/2" X 1"	1/2 X 1 HHCS	N/A	HSCR5010EG	FS-7409	HCS5010EG	N/A	N/A
GHH50125	AS 6024 EG 1/2" X 1 1/4"	1/2 X 1 1/4 HHCS	N/A	HSCR5012EG	FS-7410	HCS5012EG	N/A	N/A
GHH50150	AS 6024 EG 1/2" X 1 1/2"	1/2 X 1 1/2 HHCS	N/A	HSCR5015EG	FS-7411	HCS5015EG	N/A	N/A
GHH50175	AS 6024 EG 1/2" X 1 3/4"	1/2 X 1 3/4 HHCS	N/A	N/A	FS-7412	HCS5017EG	N/A	N/A
GHH50200	AS 6024 EG 1/2" X 2"	1/2 X 2 HHCS	N/A	HSCR5020EG	FS-7413	HCS5020EG	N/A	FIG. 41 2 X 1/2 PG
GHH50225	N/A	N/A	N/A	N/A	FS-7414	N/A	N/A	FIG. 41 2 1/4 X 1/2 PG
GHH50250	N/A	1/2 X 2 1/2 HHCS	N/A	N/A	FS-7415	N/A	N/A	FIG. 41 2 1/2 X 1/2 PG

LOCK WASHERS >>

G-STRUT™	ANVIL	B-LINE/EATON	ELITE	ERICO/NVENT	FLEX-STRUT	FLORIDA/ZSI	HAYDON	PHD
GLW025	AS 211 EG 1/4"	1/4 LW ZN	N/A	N/A	FS-7430	N/A	LOCK WASHER 1/4	N/A
GLW375	AS 211 EG 3/8"	3/8 LW ZN	N/A	F11000EG	FS-7431	N/A	LOCK WASHER 3/8	FIG.134 3/8 PG
GLW050	AS 211 EG 1/2"	1/2 LW ZN	N/A	F12000EG	FS-7432	N/A	LOCK WASHER 1/2	FIG.134 1/2 PG

FLAT WASHERS >>

G-STRUT™	ANVIL	B-LINE/EATON	ELITE	ERICO/NVENT	FLEX-STRUT	FLORIDA/ZSI	HAYDON	PHD
GFW025	AS 209 EG 1/4"	1/4 FW ZN	N/A	0110025EG	FS-7440	FW 0025EG	FLAT WASHER 1/4	FIG.130 1/4 PG
GFW375	AS 209 EG 3/8"	3/8 FW ZN	N/A	0110037EG	FS-7441	FW 0037EG	FLAT WASHER 3/8	FIG.130 3/8 PG
GFW050	AS 209 EG 1/2"	1/2 FW ZN	N/A	0110050EG	FS-7442	FW 0050EG	FLAT WASHER 1/2	FIG.130 1/2 PG

NOTE: **ACCESSORIES - Measurements may not be an exact match.

STRUT INDUSTRY PRODUCT CODES »

ACCESSORIES

CHANNEL NUTS » NO SPRING

G-STRUT®	POWER/ATKORE	PUPCO	SASCO	SUPERSTRUT/ ABB	UNISTRUT/ATKORE	VERSABAR/ZSI	WESANCO/ZSI
GN800	PS NS 1/4	CN-NS 1/4 PG	S14W	AB-100 1/4 EG	P3006-1420 EG	VN-1025	W-2-4WS
GN801	PS NS 3/8	CN-NS 3/8 PG	S38W	AB-100-3/8 EG	P3008 EG	VN-1037	W-2-6WS
GN802	PS NS 1/2	CN-NS 1/2-13 X 3/8 PG	S12W	AB-100-1/2 EG	P3013 EG	VN-4050	W-5-8WS
GN803	N/A	CN-NS 1/2-13 X 1/2 PG	N/A	N/A	P3010 EG	VN-1050	W-2-8WS
GN804	N/A	**CN-NS 5/8 X 11 X 7/16 (5/8 X 11)	N/A	AB-100-5/8 EG	P1012 EG	VN-1062	W-2-10WS
GN805	N/A	**CN-NS 3/4 X 10 X 7/16 (3/4 X 10)	N/A	AB-100-3/4 EG	P1023 EG	VN-1075	W-2-12WS
GN806	PS NS 5/8	CN-NS 5/8-11 X 3/8 PG	S58W	N/A	P4012 EG	VN-4062	W-5-10WS
GN807	PS NS 3/4	CN-NS 3/4-10 X 3/8 PG	S34W	N/A	P4023 EG	VN-4075	N/A
GN808	PS NS 5/16	CN-NS 15/16-18 X 3/8 PG	S516W	AB-100-5/16 EG	P3007 EG	VN-1031	W-2-5WS
GN809	PS NS 7/8	**CN-NS 7/8 X 9 X 7/8 (7/8 X 9 X)	S78W	N/A	P1024 EG	N/A	N/A

CHANNEL NUTS » SHORT SPRING

G-STRUT®	POWER/ATKORE	PUPCO	SASCO	SUPERSTRUT/ ABB	UNISTRUT/ATKORE	VERSABAR/ZSI	WESANCO/ZSI
GN810	PS SS 1/4	CN-SS-1/4-20 X 1/4 PG	S14S	B-100-1/4 EG	P4006-1420 EG	VSN-4025	W-5-4
GN811	PS SS 3/8	CN-SS-3/8-16 X 3/8 PG	S38S	B-100-3/8 EG	P4008 EG	VSN-4037	W-5-6
GN812	PS SS 1/2	CN-SS-1/2-13 X 3/8 PG	S12S	B-100-1/2 EG	P4010 EG	VSN-4050	W-5-8
GN814	PS SS 5/8	CN-SS-5/8-11 X 3/8 PG	S58S	B-100-5/8 EG	P4012-S EG	VSN-4062	W-5-10
GN815	PS SS 3/4	N/A	S34S	N/A	P4023-S EG	VSN-4075	N/A
GN818	PS SS 5/16	CN-SS-5/16-16 X 3/8 PG	S516S	B-100-5/16 EG	P4007 EG	VSN-4031	W-5-5

CHANNEL NUTS » REGULAR SPRING

G-STRUT®	POWER/ATKORE	PUPCO	SASCO	SUPERSTRUT/ ABB	UNISTRUT/ATKORE	VERSABAR/ZSI	WESANCO/ZSI
GN820	PS RS 1/4	CN-RS-1/4-20 X 1/4 PG	S14	A-100-1/4 EG	P1006-1420 EG	VSN-1025	W-2-4
GN821	PS RS 3/8	CN-RS-3/8-16 X 3/8 PG	S38	A-100-3/8 EG	P1008 EG	VSN-1037	W-2-6
GN822	PS RS 1/2	CN-RS-1/2-13 X 3/8 PG	S12	N/A	N/A	N/A	N/A
GN823	N/A	CN-RS-1/2-13 X 1/2 PG	N/A	A-100-1/2 EG	P1010 EG	VSN-1050	W-2-8
GN824	PS RS 5/8	**CN-RS 5/8 X 11 X 7/16 (5/8 X 11)	S58	A-100-5/8 EG	P1012-S EG	VSN-1062	W-2-10
GN825	PS RS 3/4	**CN-RS 3/4 X 10 X 7/16 (3/4 X 10)	S34	A-100-3/4 EG	P1023-S EG	VSN-1075	W-2-12
GN828	PS RS 5/16	CN-RS-5/16-18 X 3/8 PG	S516	A-100-5/16 EG	P1007 EG	VSN-1031	W-2-5
GN829	PS RS 7/8	**CN-RS 7/8 X 9 X 7/16 (7/8 X 9 X)	S78	A-100-7/8 EG	P1024-S EG	N/A	W-2-14

CHANNEL NUTS » LONG SPRING

G-STRUT®	POWER/ATKORE	PUPCO	SASCO	SUPERSTRUT/ ABB	UNISTRUT/ATKORE	VERSABAR/ZSI	WESANCO/ZSI
GN830	PS LS 1/4	CN-LS-1/4-20 X 1/4 PG	N/A	H-100-1/4 EG	P5506-1420 EG	VSN-3025	W-1-4
GN831	PS LS 3/8	CN-LS-3/8-16 X 3/8 PG	N/A	H-100-3/8 EG	P5508 EG	VSN-3037	W-1-6
GN832	PS LS 1/2	N/A	N/A	N/A	N/A	N/A	N/A
GN833	N/A	CN-LS-1/2-13 X 1/2 PG	N/A	H-100-1/2 EG	P5510 EG	VSN-3050	W-1-8
GN834	PS LS 5/8	N/A	N/A	H-100-5/8 EG	N/A	VSN-3062	W-1-10
GN835	PS LS 3/4	N/A	N/A	N/A	N/A	VSN-3075	W-1-12
GN838	N/A	N/A	N/A	N/A	P5507	VSN-3031	N/A

TOP SPRING NUT »

G-STRUT®	POWER/ATKORE	PUPCO	SASCO	SUPERSTRUT/ ABB	UNISTRUT/ATKORE	VERSABAR/ZSI	WESANCO/ZSI
GTSN800	PS TG 1/4	CN-TG-1/4-20 X 1/4 PG	N/A	N/A	P1006T1420	VSN-1025-TMS	W-2-4TL
GTSN801	PS TG 3/8	CN-TG-3/8-16 X 3/8 PG	N/A	N/A	P1008T	VSN-1037-TMS	W-2-6TL
GTSN802	PS TG 1/2	CN-TG-1/2-13 X 3/8 PG	N/A	N/A	P1010T	N/A	W-5-8TL
GTSN808	N/A	N/A	N/A	N/A	N/A	VSN-1031-TMS	W-2-5TL

HEX HEAD CAP SCREWS »

G-STRUT®	POWER/ATKORE	PUPCO	SASCO	SUPERSTRUT/ ABB	UNISTRUT/ATKORE	VERSABAR/ZSI	WESANCO/ZSI
GHH25050	N/A	N/A	N/A	N/A	HHCS025044EG	N/A	W-7400
GHH25075	PS 6024 1/4 X 3/4	HD-HHCS-1/4 X 3/4 PG	N/A	N/A	HHCS025075EG	HEX SCREW 1/4 X 3/4	W-7401
GHH25100	PS 6024 1/4 X 1	HD-HHCS-1/4 X 1 PG	N/A	E-142-1/4 X 1 EG	N/A	N/A	W-7402
GHH375075	PS 6024 3/8 X 3/4	HD-HHCS-3/8 X 3/4 PG	N/A	N/A	HHCS037075EG	HEX SCREW 3/8 X 3/4	W-7403
GHH375100	PS 6024 3/8 X 1	HD-HHCS-3/8 X 1 PG	N/A	E-142-3/8 X 1 EG	HHCS037100EG	HEX SCREW 3/8 X 1	W-7404
GHH375125	PS 6024 3/8 X 1 1/4	HD-HHCS-3/8 X 1-1/4 PG	N/A	N/A	HHCS037125EG	HEX SCREW 3/8 X 1-1/4	W-7405
GHH375150	PS 6024 3/8 X 1 1/2	HD-HHCS-3/8-1-1/2 PG	N/A	E-142-3/8 X 1-1/2 EG	HHCS037150EG	HEX SCREW 3/8 X 1-1/2	W-7406
GHH375200	PS 6024 3/8 X 2	HD-HHCS-3/8 X 2 PG	N/A	N/A	HHCS037200EG	HEX SCREW 3/8 X 2	W-7407
GHH375225	N/A	N/A	N/A	N/A	HHCS037225EG	HEX SCREW 3/8 X 2-1/4	W-7408
GHH50100	PS 6024 1/2 X 1	HD-HHCS-1/2 X 1 PG	N/A	N/A	HHCS050094EG	N/A	N/A
GHH50125	PS 6024 1/2 X 1 1/4	HD-HHCS-1/2 X 1-1/4 PG	N/A	N/A	HHCS050119EG	N/A	W-7410
GHH50150	PS 6024 1/2 X 1 1/2	HD-HHCS-1/2 X 1-1/2 PG	N/A	E142 1/2 X 1-1/2 EG	HHCS050150EG	HEX SCREW 1/2 X 1-1/2	W-7411
GHH50175	PS 6024 1/2 X 1 3/4	HD-HHCS-1/2 X 1-3/4 PG	N/A	N/A	HHCS050175EG	HEX SCREW 1/2 X 1-3/4	W-7412
GHH50200	PS 6024 1/2 X 2	HD-HHCS-1/2 X 2 PG	N/A	N/A	HHCS050200EG	HEX SCREW 1/2 X 2	W-7413
GHH50225	N/A	N/A	N/A	N/A	HHCS050225EG	HEX SCREW 1/2 X 2-1/4	W-7414
GHH50250	N/A	-	N/A	N/A	HHCS050250EG	HEX SCREW 1/2 X 2-1/2	W-7415

LOCK WASHERS »

G-STRUT®	POWER/ATKORE	PUPCO	SASCO	SUPERSTRUT/ ABB	UNISTRUT/ATKORE	VERSABAR/ZSI	WESANCO/ZSI
GLW025	PS 211 1/4	HG-FIG52L-1/4 PG	N/A	E-148-1/4 EG	HLKW025EG	N/A	W-7430
GLW375	PS 211 3/8	HG-FIG52L-3/8 PG	N/A	E-148-3/8 EG	HLKW037EG	LOCK WASHER 3/8	W-7431
GLW050	PS 211 1/2	HG-FIG52L-1/2 PG	N/A	E-148-1/2 EG	HLKW050EG	LOCK WASHER 1/2	W-7432

FLAT WASHERS »

G-STRUT®	POWER/ATKORE	PUPCO	SASCO	SUPERSTRUT/ ABB	UNISTRUT/ATKORE	VERSABAR/ZSI	WESANCO/ZSI
GFW025	PS 209 1/4	HD-FW-1/4 PG	N/A	E-147-1/4 EG	HFLW025EG	FLAT WASHER 1/4	W-7440
GFW375	PS 209 3/8	HD-FW-3/8 PG	N/A	E-147-3/8 EG	HFLW037EG	FLAT WASHER 3/8	W-7441
GFW050	PS 209 1/2	HD-FW-1/2 PG	N/A	E-147-1/2 EG	HFLW050EG	FLAT WASHER 1/2	W-7442

NOTE: **ACCESSORIES - Measurements may not be an exact match.

STRUT INDUSTRY PRODUCT CODES »

ACCESSORIES

FENDER WASHERS »

G-STRUT®	ANVIL	B-LINE/EATON	ELITE	ERICO/NVENT	FLEX-STRUT	FLORIDA/ZSI	HAYDON	PHD
GFDW025	AS 230 EG 1/4"	1/4 X 1 1/4 FFW ZN	N/A	0120025EG	FS-7450	N/A	N/A	N/A
GFDW037	AS 230 EG 3/8"	3/8 X 1 1/4 FFW ZN	N/A	0120037EG	FS-7451	N/A	N/A	FIG.136 3/8 PG
GFDW050	AS 230 EG 1/2"	1/2 X 2 FFW ZN	N/A	0120050EG	FS-7452	N/A	N/A	FIG.136 1/2 PG

HEX NUTS »

G-STRUT®	ANVIL	B-LINE/EATON	ELITE	ERICO/NVENT	FLEX-STRUT	FLORIDA/ZSI	HAYDON	PHD
GHN025	AS 83 EG 1/4"	1/4 HN ZN	N/A	0100025EG	FS-7460	HN 0025EG	HEX NUT 1/4	FIG.110 1/4 PG
GHN3125	N/A	5/16 HN ZN	N/A	N/A	FS-7461	N/A	HEX NUT 5/16	FIG.110 5/16 PG
GHN375	AS 83 EG 3/8"	3/8 HN ZN	N/A	0100037EG	FS-7462	HN 0037EG	HEX NUT 3/8	FIG.110 3/8 PG
GHN050	AS 83 EG 1/2"	1/2 HN ZN	N/A	0100050EG	FS-7463	HN 0050EG	HEX NUT 1/2	FIG.110 1/2 PG

FLAT HEAD MACHINE SCREWS »

G-STRUT®	ANVIL	B-LINE/EATON	ELITE	ERICO/NVENT	FLEX-STRUT	FLORIDA/ZSI	HAYDON	PHD
GFH062	N/A	1/4 X 5/8 SFHMS ZN	N/A	N/A	FS-7420	N/A	N/A	N/A
GFH100	N/A	5/16 X 1 SFHMS ZN	N/A	N/A	FS-7421	N/A	FLAT HEAD SCREW 5/16 X 1	N/A
GFH200	N/A	3/8 X 2 SFHMS ZN	N/A	N/A	FS-7422	N/A	FLAT HEAD SCREW 3/8 X 2	N/A
GFH225	N/A	3/8 X 2 1/4 SFHMS ZN	N/A	N/A	FS-7423	N/A	FLAT HEAD SCREW 3/8 X 2 1/4	N/A
GFH250	N/A	3/8 X 2 1/2 SFHMS ZN	N/A	N/A	FS-7424	N/A	FLAT HEAD SCREW 3/8 X 2 1/2	N/A

ROUND HEAD MACHINE SCREWS »

G-STRUT®	ANVIL	B-LINE/EATON	ELITE	ERICO/NVENT	FLEX-STRUT	FLORIDA/ZSI	HAYDON	PHD
GRH1075	N/A	1/4 X 3/4 SRHMS ZN	53012	N/A	FS-7471A	N/A	ROUND HEAD SCREW 1/4 X 3/4	N/A
GRH1100	N/A	1/4 X 1 SRHMS ZN	53016	N/A	FS-7471	N/A	ROUND HEAD SCREW 1/4 X 1	N/A
GRH1125	N/A	1/4 X 1 1/4 SRHMS ZN	53020	N/A	FS-7472	N/A	ROUND HEAD SCREW 1/4 X 1 1/4	N/A
GRH2100	N/A	5/16 X 1 SRHMS ZN	N/A	N/A	FS-7473	N/A	ROUND HEAD SCREW 5/16 X 1	N/A
GRH2125	N/A	5/16 X 1 1/4 SRHMS ZN	N/A	N/A	FS-7474	N/A	ROUND HEAD SCREW 5/16 X 1 1/4	N/A
GRH1150	N/A	5/16 X 1 1/2 SRHMS ZN	N/A	N/A	FS-7475	N/A	N/A	N/A
GRH3100	N/A	3/8 X 1 SRHMS ZN	53216	N/A	FS-7476	N/A	N/A	N/A
GRH1025	N/A	3/8 X 1 1/4 SRHMS ZN	53220	N/A	FS-7477	N/A	N/A	N/A
GRH2150	N/A	3/8 X 1 1/2 SRHMS ZN	53224	N/A	FS-7478	N/A	N/A	N/A
GRH1250	N/A	3/8 X 2 1/2 SRHMS ZN	N/A	N/A	FS-7479	N/A	N/A	N/A

SQUARE NUTS »

G-STRUT®	ANVIL	B-LINE/EATON	ELITE	ERICO/NVENT	FLEX-STRUT	FLORIDA/ZSI	HAYDON	PHD
GSN025	AS 6108 EG 1/4"	N/A	N/A	SQNT0025EG	FS-7480	N/A	SQUARE NUTS 1/4	N/A
GSN3125	AS 6108 EG 5/16"	N/A	N/A	N/A	FS-7481	N/A	SQUARE NUTS 5/16	N/A
GSN375	AS 6108 EG 3/8"	N/A	N/A	SQNT0037EG	FS-7482	N/A	SQUARE NUTS 3/8	N/A
GSN050	AS 6108 EG 1/2"	1/2 SQN ZN	N/A	SQNT0050EG	FS-7483	N/A	SQUARE NUTS 1/2	N/A

ALL-THREAD ROD »

G-STRUT®	ANVIL	B-LINE/EATON	ELITE	ERICO/NVENT	FLEX-STRUT	FLORIDA/ZSI	HAYDON	PHD
GAT025	-	ATR 1/4 ZN	59703	0502510EG	FS-7124	N/A	THREADED ROD 1/4	FIG. 21 1/4 X 20
GAT037	-	ATR 3/8 ZN	59706	0503710EG	FS-7125	N/A	THREADED ROD 3/8	FIG. 21 3/8 X 16
GAT050	-	ATR 1/2 ZN	59708	0505010EG	FS-7126	N/A	THREADED ROD 1/2	FIG. 21 1/2 X 13
GAT062	-	ATR 5/8 ZN	59710	0506210EG	FS-7127	N/A	THREADED ROD 5/8	FIG. 21 5/8 X 11
GAT075	-	ATR 3/4 ZN	N/A	0507510EG	FS-7128	N/A	THREADED ROD 3/4	FIG. 21 3/4 X 10

ROD COUPLERS »

G-STRUT®	ANVIL	B-LINE/EATON	ELITE	ERICO/NVENT	FLEX-STRUT	FLORIDA/ZSI	HAYDON	PHD
GRC025	-	B655-1/4 ZN	59604	0250025EG	FS-7134	RC0025EG	ROD COUPLER 1/4	FIG. 100 1/4 PG
GRC037	-	B655-3/8 ZN	N/A	0250037EG	FS-7135	RC0037EG	ROD COUPLER 3/8	FIG. 100 3/8 PG
GRC050	-	B655-1/2 ZN	59608	0250050EG	FS-7136	RC0050EG	ROD COUPLER 1/2	FIG. 100 1/2 PG
GRC062	-	B655-5/8 ZN	N/A	0250062EG	FS-7137	N/A	ROD COUPLER 5/8	FIG. 100 5/8 PG
GRC075	-	B655-3/4 ZN	N/A	0250075EG	FS-7138	N/A	ROD COUPLER 3/4	FIG. 100 3/4 PG

SQUARE WASHER (1 5/8" X 1 5/8") »

G-STRUT®	ANVIL	B-LINE/EATON	ELITE	ERICO/NVENT	FLEX-STRUT	FLORIDA/ZSI	HAYDON	PHD
G201025	AS 619 EG 1/4"	N/A	N/A	N/A	FS-5003-1/4	F10 0025EG	N/A	5000
G201037	AS 619 EG 3/8"	B200 ZN	N/A	F140000EG	FS-5003-3/8	F11 0037EG	F-201 3/8	5001
G201050	AS 619 EG 1/2"	N/A	N/A	F150000EG	FS-5003-1/2	F12 0050EG	F-201-1/2	5002
G201062	AS 619 EG 5/8"	N/A	N/A	F160000EG	FS-5003-5/8	F13 0062EG	F-201-5/8	5003
G201075	AS 619 EG 3/4"	N/A	N/A	F170000EG	FS-5003-3/4	F14 0075EG	F-201-3/4	5004

NO TURN SQUARE WASHER »

G-STRUT®	ANVIL	B-LINE/EATON	ELITE	ERICO/NVENT	FLEX-STRUT	FLORIDA/ZSI	HAYDON	PHD
G202025	AS 2504 EG 1/4"	N/A	N/A	N/A	FS-5004-1/4	F20 0025EG	F-201-IN-1/4"	5005
G202037	AS 2504 EG 3/8"	B200D ZN	N/A	F110000EG	FS-5004-3/8	F21 0037EG	F-201-IN-3/8"	5006
G202050	AS 2504 EG 1/2"	N/A	N/A	F120000EG	FS-5004-1/2	F22 0050EG	F-201-IN-1/2"	5007
G202062	N/A	N/A	N/A	F120062EG	FS-5004-5/8	F23 0062EG	N/A	5008
G202075	N/A	N/A	N/A	F120075EG	FS-5004-3/4	F24 0075EG	N/A	5009

2-HOLE FLAT PLATE CONNECTOR »

G-STRUT®	ANVIL	B-LINE/EATON	ELITE	ERICO/NVENT	FLEX-STRUT	FLORIDA/ZSI	HAYDON	PHD
G2031	N/A	B528 ZN	N/A	N/A	N/A	N/A	F-202	5011
G2032	AS 620 EG	N/A	N/A	N/A	FS-5007	F30 0000EG	F-203	5010
G2033	N/A	B340 ZN	N/A	F220000EG	N/A	F34 0000EG	F-204	5012

NOTE: **ACCESSORIES - Measurements may not be an exact match.

STRUT INDUSTRY PRODUCT CODES >>

ACCESSORIES

FENDER WASHERS >>

G-STRUT®	POWER/ATKORE	PUPCO	SASCO	SUPERSTRUT/ ABB	UNISTRUT/ATKORE	VERSABAR/ZSI	WESANCO/ZSI
GFDW025	PS 230 1/4	HG-FIG52R-1/4 PG	N/A	EF-147-1/4 EG	N/A	FEN-25	W-7450
GFDW037	PS 230 3/8	HG-FIG52R-3/8 PG	N/A	EF-147-3/8 EG	N/A	FEN-37	W-7451
GFDW050	PS 230 1/2	HG-FIG52R-1/2 PG	N/A	N/A	N/A	FEN-50	W-7452

HEX NUTS >>

G-STRUT®	POWER/ATKORE	PUPCO	SASCO	SUPERSTRUT/ ABB	UNISTRUT/ATKORE	VERSABAR/ZSI	WESANCO/ZSI
GHN025	PS 83 1/4	HD-HN-1/4 PG	N/A	E-145 1/4 EG	HXXN025EG	HEX NUTS 1/4	W-7460
GHN3125	N/A	N/A	N/A	N/A	HXXN031EG	HEX NUTS 5/16	W-7461
GHN375	PS 83 3/8	HD-HN-3/8 PG	N/A	E-145 3/8 EG	HXXN037EG	HEX NUTS 3/8	W-7462
GHN050	PS 83 1/2	HD-HN-1/2 PG	N/A	E-145 1/2 EG	HXXN050EG	HEX NUTS 1/2	W-7463

FLAT HEAD MACHINE SCREWS >>

G-STRUT®	POWER/ATKORE	PUPCO	SASCO	SUPERSTRUT/ ABB	UNISTRUT/ATKORE	VERSABAR/ZSI	WESANCO/ZSI
GFH062	N/A	N/A	N/A	N/A	HFMS025062EG	FLAT HEAD SCREWS 1/4 X 5/8	W-7420
GFH100	N/A	N/A	N/A	N/A	HFMS031100EG	FLAT HEAD SCREWS 5/16 X 1	N/A
GFH200	PS 6091 3/8" X 2"	N/A	N/A	N/A	N/A	FLAT HEAD SCREWS 3/8 X 2	N/A
GFH225	PS 6091 3/8" X 2 1/4"	N/A	N/A	N/A	N/A	FLAT HEAD SCREWS 3/8 X 2 1/4	N/A
GFH250	N/A	N/A	N/A	N/A	N/A	FLAT HEAD SCREWS 3/8 X 2 1/2	W-7424

ROUND HEAD MACHINE SCREWS >>

G-STRUT®	POWER/ATKORE	PUPCO	SASCO	SUPERSTRUT/ ABB	UNISTRUT/ATKORE	VERSABAR/ZSI	WESANCO/ZSI
GRH1075	PS 6072 1/4 X 3/4	N/A	N/A	N/A	HRMS025075EG	1/4" X 3/4"	W-7470
GRH1100	PS 6072 1/4 X 1	N/A	N/A	N/A	HRMS025100EG	1/4" X 1"	W-7471
GRH1125	PS 6072 1/4 X 1-1/4	N/A	N/A	N/A	N/A	N/A	W-7472
GRH2100	N/A	N/A	N/A	N/A	HRMS031100EG	5/16" X 1"	W-7473
GRH2125	N/A	N/A	N/A	N/A	HRMS031125EG	5/16" X 1 1/4"	W-7474
GRH1150	N/A	N/A	N/A	N/A	N/A	N/A	W-7475
GRH3100	PS 6072 3/8 X 1	N/A	N/A	N/A	HRMS037100	3/8 X 1"	W-7476
GRH1025	PS 6072 3/8 X 1 1/4	N/A	N/A	N/A	HRMS037125EG	3/8 X 1 1/4"	W-7477
GRH2150	PS 6072 3/8 X 1 1/2	N/A	N/A	N/A	HRMS037150EG	3/8 X 1 1/2"	W-7478
GRH1250	N/A	N/A	N/A	N/A	N/A	3/8 X 2 1/2"	W-7479

SQUARE NUTS >>

G-STRUT®	POWER/ATKORE	PUPCO	SASCO	SUPERSTRUT/ ABB	UNISTRUT/ATKORE	VERSABAR/ZSI	WESANCO/ZSI
GSN025	PS 6108 1/4	N/A	N/A	AB 102 1/4 EG	HSQN025EG	1/4"	W-7480
GSN3125	PS 6108 5/16	N/A	N/A	N/A	HSQN031EG	5/16"	W-7481
GSN375	PS 6108 3/8	N/A	N/A	AB 102 3/8 EG	HSQN037EG	3/8"	W-7482
GSN050	PS 6108 1/2	N/A	N/A	AB 102 1/2 EG	HSQN050EG	1/2"	W-7483

ALL-THREAD ROD >>

G-STRUT®	POWER/ATKORE	PUPCO	SASCO	SUPERSTRUT/ ABB	UNISTRUT/ATKORE	VERSABAR/ZSI	WESANCO/ZSI
GAT025	PS 146 1/4 EG	HG-FIG. 51 1/4 PG	N/A	H-104-1/4 EG	HTHR025	VTR-25-6	W-7124
GAT037	PS 146 3/8 EG	HG-FIG. 51 3/8 PG	N/A	H-104-3/8 EG	HTHR037	VTR-37-6	W-7125
GAT050	PS 146 1/2 EG	HG-FIG. 51 1/2 PG	N/A	H-104-1/2 EG	HTHR050	VTR-50-6	W-7126
GAT062	PS 146 5/8 EG	HG-FIG. 51 5/8 PG	N/A	H-104-5/8 EG	HTHR062	VTR-62-6	W-7127
GAT075	PS 146 3/4 EG	HG-FIG. 51 3/4 PG	N/A	H-104-3/4 EG	HTHR075	N/A	W-7128

ROD COUPLERS >>

G-STRUT®	POWER/ATKORE	PUPCO	SASCO	SUPERSTRUT/ ABB	UNISTRUT/ATKORE	VERSABAR/ZSI	WESANCO/ZSI
GRC025	PS 135 1/4	HD-RC 1/4 PG	N/A	H-119-1/4 EG	HRCN025	VTRC-25	W-7134
GRC037	PS 135 3/8	HD-RC 3/8 PG	N/A	H-119-3/8 EG	HRCN037	VTRC-37	W-7135
GRC050	PS 135 1/2	HD-RC 1/2 PG	N/A	N/A	HRCN050	VTRC-50	W-7136
GRC062	PS 135 5/8	HD-RC 5/8 PG	N/A	H-119-5/8 EG	HRCN062	VTRC-62	W-7137
GRC075	PS 135 3/4	HD-RC 3/4 PG	N/A	H-119-3/4 EG	HRCN075	N/A	W-7138

SQUARE WASHER (1 5/8" X 1 5/8") >>

G-STRUT®	POWER/ATKORE	PUPCO	SASCO	SUPERSTRUT/ ABB	UNISTRUT/ATKORE	VERSABAR/ZSI	WESANCO/ZSI
G201025	PS 619 1/4	FF-AS619-1/4 PG	N/A	AB-241-1/4 EG	N/A	N/A	N/A
G201037	PS 619 3/8	FF-AS619-3/8 PG	N/A	AB-241-3/8 EG	P1063	VF-1101-5/16	W-5053
G201050	PS 619 1/2	FF-AS619-1/2 PG	N/A	AB-241-1/2 EG	P1064	VF-1101-1/2	W-5053
G201062	PS 619 5/8	FF-AS619-5/8 PG	N/A	AB-241-5/8 EG	P1964	VF-1101-5/8	W-5054
G201075	PS 619 3/4	FF-AS619-3/4 PG	N/A	AB-241-3/4 EG	P2471	VF-1101-3/4	W-5056

NO TURN SQUARE WASHER >>

G-STRUT®	POWER/ATKORE	PUPCO	SASCO	SUPERSTRUT/ ABB	UNISTRUT/ATKORE	VERSABAR/ZSI	WESANCO/ZSI
G202025	PS 2504 1/4	FF-AS2504-1/4 PG	N/A	AB-241L-1/4 EG	N/A	N/A	N/A
G202037	PS 2504 3/8	FF-AS2504-3/8 PG	N/A	AB-241L-3/8 EG	P2863	VF-1101N-5/16	W-5003
G202050	PS 2504 1/2	FF-AS2504-1/2 PG	N/A	AB-241L-1/2 EG	P2864	VF-1101N-1/2	W-5003
G202062	N/A	FF-AS2504-5/8 PG	N/A	AB-241L-5/8 EG	N/A	VF-1101N-5/8	W-5005
G202075	N/A	FF-AS2504-3/4 PG	N/A	N/A	N/A	VF-1101N-3/4	W-5006

2-HOLE FLAT PLATE CONNECTOR >>

G-STRUT®	POWER/ATKORE	PUPCO	SASCO	SUPERSTRUT/ ABB	UNISTRUT/ATKORE	VERSABAR/ZSI	WESANCO/ZSI
G2031	N/A	N/A	N/A	N/A	N/A	VF-1211	N/A
G2032	PS 601	FF-AS601-3 1/2 X 1 1/8 PG	S110P-HG	AB-206 EG	P1065	VF-1201	W-5007
G2033	PS 620	FF-AS620-3 1/4 X 1 5/8 PG	N/A	N/A	P1924	VF-1204	W-5013

NOTE: **ACCESSORIES - Measurements may not be an exact match.

STRUT INDUSTRY PRODUCT CODES >>

ACCESSORIES

4-HOLE SPLICE PLATE >>

G-STRUT®	ANVIL	B-LINE/EATON	ELITE	ERICO/NVENT	FLEX-STRUT	FLORIDA/ZSI	HAYDON	PHD
G205	AS 888 EG	B341 ZN	N/A	F230000EG	FS-5009	F32 0000EG	F-205	5015
G2051	N/A	B504 ZN	N/A	N/A	FS-5025	F35 0000EG	N/A	5017

3-HOLE SPLICE PLATE >>

G-STRUT®	ANVIL	B-LINE/EATON	ELITE	ERICO/NVENT	FLEX-STRUT	FLORIDA/ZSI	HAYDON	PHD
G206	AS 602 EG	B141 ZN	N/A	F200000EG	FS-5008	F31 0000EG	F-206-2	**5013 (5 3/8 X 1 7/8)
G2061	N/A	B557 ZN	N/A	N/A	N/A	N/A	F-206-1	5014

3-HOLE SWIVEL >>

G-STRUT®	ANVIL	B-LINE/EATON	ELITE	ERICO/NVENT	FLEX-STRUT	FLORIDA/ZSI	HAYDON	PHD
G207	AS 617 EG	N/A	N/A	N/A	FS-5012	N/A	F-207	N/A

2-HOLE SWIVEL >>

G-STRUT®	ANVIL	B-LINE/EATON	ELITE	ERICO/NVENT	FLEX-STRUT	FLORIDA/ZSI	HAYDON	PHD
G2071	N/A	N/A	N/A	N/A	FS-5011	**F40 0000EG (5 1/4 X 3 3/4)	N/A	5020

5-HOLE SPLICE PLATE >>

G-STRUT®	ANVIL	B-LINE/EATON	ELITE	ERICO/NVENT	FLEX-STRUT	FLORIDA/ZSI	HAYDON	PHD
G208	N/A	B342 ZN	N/A	N/A	FS-5010	F33 0000EG	N/A	5019

3-HOLE FLAT ANGLE PLATE >>

G-STRUT®	ANVIL	B-LINE/EATON	ELITE	ERICO/NVENT	FLEX-STRUT	FLORIDA/ZSI	HAYDON	PHD
G210	AS 718 EG	B140 ZN	N/A	F360000EG	FS-5021	F50 0000EG	F-210	5025

3-HOLE CORNER CONNECTOR >>

G-STRUT®	ANVIL	B-LINE/EATON	ELITE	ERICO/NVENT	FLEX-STRUT	FLORIDA/ZSI	HAYDON	PHD
G211	AS 744 EG	B135 ZN	N/A	N/A	FS-5019	F52 0000EG	F-211	5045

3-HOLE CONNECTOR PLATE >>

G-STRUT®	ANVIL	B-LINE/EATON	ELITE	ERICO/NVENT	FLEX-STRUT	FLORIDA/ZSI	HAYDON	PHD
G212	AS 925 EG	B337 ZN	N/A	N/A	FS-5019	F61 0000EG	F-212	5065

4-HOLE TEE PLATE >>

G-STRUT®	ANVIL	B-LINE/EATON	ELITE	ERICO/NVENT	FLEX-STRUT	FLORIDA/ZSI	HAYDON	PHD
G213	AS 714 EG	B133 ZN	N/A	F250000EG	FS-5022	F60 0000EG	F-213	5035

4-HOLE CORNER JOINER PLATE >>

G-STRUT®	ANVIL	B-LINE/EATON	ELITE	ERICO/NVENT	FLEX-STRUT	FLORIDA/ZSI	HAYDON	PHD
G214	AS 719 EG	B143 ZN	N/A	F370000EG	FS-5020	F51 0000EG	F-214	5030

5-HOLE CROSS PLATE >>

G-STRUT®	ANVIL	B-LINE/EATON	ELITE	ERICO/NVENT	FLEX-STRUT	FLORIDA/ZSI	HAYDON	PHD
G216	AS 712 EG	B132 ZN	N/A	N/A	FS-5023	F70 0000EG	F-216	5040

4-HOLE CONNECTOR >>

G-STRUT®	ANVIL	B-LINE/EATON	ELITE	ERICO/NVENT	FLEX-STRUT	FLORIDA/ZSI	HAYDON	PHD
G217	AS 747 EG	B136 ZN	N/A	N/A	FS-5026	F62 0000EG	F-217	5075

4-HOLE CORNER CONNECTOR >>

G-STRUT®	ANVIL	B-LINE/EATON	ELITE	ERICO/NVENT	FLEX-STRUT	FLORIDA/ZSI	HAYDON	PHD
G218	AS 750 EG	B142 ZN	N/A	N/A	FS-5024	F53 0000EG	F-218	5050

5-HOLE CONNECTOR >>

G-STRUT®	ANVIL	B-LINE/EATON	ELITE	ERICO/NVENT	FLEX-STRUT	FLORIDA/ZSI	HAYDON	PHD
G219	AS 854 EG	B532 ZN	N/A	N/A	FS-5027	F63 0000EG	F-219	5080

5-HOLE CORNER CONNECTOR >>

G-STRUT®	ANVIL	B-LINE/EATON	ELITE	ERICO/NVENT	FLEX-STRUT	FLORIDA/ZSI	HAYDON	PHD
G2191	AS 2190 EG	B556 ZN	N/A	N/A	N/A	F54 0000EG	F-221	5060

7-HOLE CONNECTOR >>

G-STRUT®	ANVIL	B-LINE/EATON	ELITE	ERICO/NVENT	FLEX-STRUT	FLORIDA/ZSI	HAYDON	PHD
G220	AS 2112 EG	B334 ZN	N/A	N/A	N/A	F71 0000EG	F-220	5095

NOTE: **ACCESSORIES - Measurements may not be an exact match.

STRUT INDUSTRY PRODUCT CODES »

ACCESSORIES

4-HOLE SPLICE PLATE »

G-STRUT®	POWER/ATKORE	PUPCO	SASCO	SUPERSTRUT/ ABB	UNISTRUT/ATKORE	VERSABAR/ZSI	WESANCO/ZSI
G205	PS 888	FF-AS888 - 7 1/4 PG	S114P-HG	X-207 EG	P1067	VF-1402	W-5009
G2051	N/A	FF-AS621 - 3 1/2 X 3 1/4 PG	N/A	N/A	P2079	VF-1412	N/A

3-HOLE SPLICE PLATE »

G-STRUT®	POWER/ATKORE	PUPCO	SASCO	SUPERSTRUT/ ABB	UNISTRUT/ATKORE	VERSABAR/ZSI	WESANCO/ZSI
G206	PS-602	FF-AS602 - 5 3/5 PG	S111P-HG	AB-207 EG	P1066	N/A	G-5008
G2061	PS-621	N/A	S113P-HG	N/A	P1925	VF-1306	N/A

3-HOLE SWIVEL »

G-STRUT®	POWER/ATKORE	PUPCO	SASCO	SUPERSTRUT/ ABB	UNISTRUT/ATKORE	VERSABAR/ZSI	WESANCO/ZSI
G207	PS 617	**FF-AS617 PG	N/A	AB-240 EG	P2324	N/A	N/A

2-HOLE SWIVEL »

G-STRUT®	POWER/ATKORE	PUPCO	SASCO	SUPERSTRUT/ ABB	UNISTRUT/ATKORE	VERSABAR/ZSI	WESANCO/ZSI
G2071	PS 618	**FF-AS618 PG	N/A	N/A	P2325	VF-1203	W-5011

5-HOLE SPLICE PLATE »

G-STRUT®	POWER/ATKORE	PUPCO	SASCO	SUPERSTRUT/ ABB	UNISTRUT/ATKORE	VERSABAR/ZSI	WESANCO/ZSI
G208	PS 889	FF-AS888-5 EG	N/A	X-208 EG	P1941	VF-1506	W-5010

3-HOLE FLAT ANGLE PLATE »

G-STRUT®	POWER/ATKORE	PUPCO	SASCO	SUPERSTRUT/ ABB	UNISTRUT/ATKORE	VERSABAR/ZSI	WESANCO/ZSI
G210	PS 718	FF-AS718 EG	S119P-HG	AB-219 EG	P1036	VF-1301	W-5021

3-HOLE CORNER CONNECTOR »

G-STRUT®	POWER/ATKORE	PUPCO	SASCO	SUPERSTRUT/ ABB	UNISTRUT/ATKORE	VERSABAR/ZSI	WESANCO/ZSI
G211	PS 744	FF-AS744 EG	S122P-HG	AB-255 EG	P1334	VF-1304	N/A

3-HOLE CONNECTOR PLATE »

G-STRUT®	POWER/ATKORE	PUPCO	SASCO	SUPERSTRUT/ ABB	UNISTRUT/ATKORE	VERSABAR/ZSI	WESANCO/ZSI
G212	PS 925	FF-AS925 EG	S126P-HG	N/A	P1356	VF-1305	N/A

4-HOLE TEE PLATE »

G-STRUT®	POWER/ATKORE	PUPCO	SASCO	SUPERSTRUT/ ABB	UNISTRUT/ATKORE	VERSABAR/ZSI	WESANCO/ZSI
G213	PS 714	FF-AS714 EG	S120P-HG	AB-220 EG	P1031	VF-1401	W-5022

4-HOLE CORNER JOINER PLATE »

G-STRUT®	POWER/ATKORE	PUPCO	SASCO	SUPERSTRUT/ ABB	UNISTRUT/ATKORE	VERSABAR/ZSI	WESANCO/ZSI
G214	PS 719	FF-AS718-4 EG	S123P-HG	N-219 EG	P1380A	VF-1406A	W-5025

5-HOLE CROSS PLATE »

G-STRUT®	POWER/ATKORE	PUPCO	SASCO	SUPERSTRUT/ ABB	UNISTRUT/ATKORE	VERSABAR/ZSI	WESANCO/ZSI
G216	PS 712	FF-AS712 EG	S121P-HG	AB-253 EG	P1028	VF-1501	W-5023

4-HOLE CONNECTOR »

G-STRUT®	POWER/ATKORE	PUPCO	SASCO	SUPERSTRUT/ ABB	UNISTRUT/ATKORE	VERSABAR/ZSI	WESANCO/ZSI
G217	PS 747	FF-AS747 EG	S127P-HG	AB-265 EG	P1358	VF-1404	W-5026

4-HOLE CORNER CONNECTOR »

G-STRUT®	POWER/ATKORE	PUPCO	SASCO	SUPERSTRUT/ ABB	UNISTRUT/ATKORE	VERSABAR/ZSI	WESANCO/ZSI
G218	PS 750	FF-AS750 EG	S124P-HG	AB-257 EG	P1380	VF-1406	W-5024

5-HOLE CONNECTOR »

G-STRUT®	POWER/ATKORE	PUPCO	SASCO	SUPERSTRUT/ ABB	UNISTRUT/ATKORE	VERSABAR/ZSI	WESANCO/ZSI
G219	PS 854	FF-AS854 EG	S128P-HG	AB-261 EG	P1726	VF-1504	W-5027

5-HOLE CORNER CONNECTOR »

G-STRUT®	POWER/ATKORE	PUPCO	SASCO	SUPERSTRUT/ ABB	UNISTRUT/ATKORE	VERSABAR/ZSI	WESANCO/ZSI
G2191	PS 2190	FF-AS2190 EG	S125P-HG	AB-263 EG	P1873	VF-1505	N/A

7-HOLE CONNECTOR »

G-STRUT®	POWER/ATKORE	PUPCO	SASCO	SUPERSTRUT/ ABB	UNISTRUT/ATKORE	VERSABAR/ZSI	WESANCO/ZSI
G220	PS 2112	FF-AS2112 EG	N/A	N/A	P1950	VF-1704	N/A

NOTE: **ACCESSORIES - Measurements may not be an exact match.

STRUT INDUSTRY PRODUCT CODES >>

ACCESSORIES

6-HOLE TEE CORNER CONNECTOR >>

G-STRUT®	ANVIL	B-LINE/EATON	ELITE	ERICO/NVENT	FLEX-STRUT	FLORIDA/ZSI	HAYDON	PHD
G221	N/A	B339 ZN	N/A	N/A	N/A	N/A	N/A	5085

6-HOLE STAGGERED HOLE CONNECTOR >>

G-STRUT®	ANVIL	B-LINE/EATON	ELITE	ERICO/NVENT	FLEX-STRUT	FLORIDA/ZSI	HAYDON	PHD
G222	N/A	B568 ZN	N/A	N/A	N/A	N/A	N/A	5090

2-HOLE CORNER ANGLE >>

G-STRUT®	ANVIL	B-LINE/EATON	ELITE	ERICO/NVENT	FLEX-STRUT	FLORIDA/ZSI	HAYDON	PHD
G301	N/A	B359 ZN	N/A	N/A	N/A	L14 0000EG	N/A	5110

2-HOLE CONNECTION ANGLE >>

G-STRUT®	ANVIL	B-LINE/EATON	ELITE	ERICO/NVENT	FLEX-STRUT	FLORIDA/ZSI	HAYDON	PHD
G302	AS 603 EG	N/A	N/A	L110000EG	FS-5103	L11 0000EG	A-302	**5112 (2 1/16 X

2-HOLE CORNER ANGLE >>

G-STRUT®	ANVIL	B-LINE/EATON	ELITE	ERICO/NVENT	FLEX-STRUT	FLORIDA/ZSI	HAYDON	PHD
G3031	AS 2144 3	B359 ZN	N/A	L120300RG	N/A	N/A	A-338-1	5115
G3032	AS 2144 3 1/2	B360 ZN	N/A	L120350EG	N/A	L15 0000EG	A-338-2	5116
G3033	AS 2144 4	B361 ZN	N/A	L120400EG	N/A	L16 0000EG	A-338-3	5118

2-HOLE NO-TWIST CORNER ANGLE (2 INDENTS) >>

G-STRUT®	ANVIL	B-LINE/EATON	ELITE	ERICO/NVENT	FLEX-STRUT	FLORIDA/ZSI	HAYDON	PHD
G304	AS 806 EG	**B231 ZN (2 1/4 X 2 1/4)	N/A	N/A	FS-5104	**L10 0000EG (2 1/8 X 2 1/8)	A-304	5119

2-HOLE OPEN ANGLE >>

G-STRUT®	ANVIL	B-LINE/EATON	ELITE	ERICO/NVENT	FLEX-STRUT	FLORIDA/ZSI	HAYDON	PHD
G305	**AS 633 EG (3 1/4 X 2 3/8)	N/A	N/A	N/A	N/A	N/A	N/A	N/A
G3051	N/A	N/A	N/A	-	N/A	?	N/A	N/A

3-HOLE CORNER ANGLE >>

G-STRUT®	ANVIL	B-LINE/EATON	ELITE	ERICO/NVENT	FLEX-STRUT	FLORIDA/ZSI	HAYDON	PHD
G306	N/A	B103 ZN	N/A	L190000EG	FS-5112	L21 0000EG	A-306	5121
G3063	N/A	N/A	N/A	L200000EG	**FS-5113 (3 7/8 X 1 7/8)	N/A	N/A	**5122 (3 15/16 X

1-HOLE 90° CORNER ANGLE >>

G-STRUT®	ANVIL	B-LINE/EATON	ELITE	ERICO/NVENT	FLEX-STRUT	FLORIDA/ZSI	HAYDON	PHD
G3061	AS 921 A EG	**B420-378 ZN (3 7/8 X 1 7/8)	N/A	N/A	N/A	**L70 0000EG (3 7/8 X 1 7/8)	N/A	5101
G3062	AS 921 B EG	**B420-578 ZN (5 7/8 X 1 7/8)	N/A	N/A	N/A	**L71 0000EG (5 7/8 X 1 7/8)	N/A	5103
G3063	AS 921 C EG	**B420-778 ZN (7 7/8 X 1 7/8)	N/A	N/A	N/A	**L72 0000EG (7 7/8 X 1 7/8)	N/A	5105
G3064	AS 921 D EG	**B420-978 ZN (9 7/8 X 1 7/8)	N/A	N/A	N/A	**L73 0000EG (9 7/8 X 1 7/8)	N/A	5107

3-HOLE CORNER SHELF ANGLE >>

G-STRUT®	ANVIL	B-LINE/EATON	ELITE	ERICO/NVENT	FLEX-STRUT	FLORIDA/ZSI	HAYDON	PHD
G3071	N/A	B125 ZN	N/A	N/A	**FS-5110 (3 1/2 X 2 1/4)	**L22 0000EG (3 1/2 X 2 1/4)	N/A	5180

4-HOLE CORNER SHELF ANGLE >>

G-STRUT®	ANVIL	B-LINE/EATON	ELITE	ERICO/NVENT	FLEX-STRUT	FLORIDA/ZSI	HAYDON	PHD
G308	N/A	B 485 ZN	N/A	N/A	N/A	N/A	N/A	5186

4-HOLE JOINT CONNECTOR ANGLE >>

G-STRUT®	ANVIL	B-LINE/EATON	ELITE	ERICO/NVENT	FLEX-STRUT	FLORIDA/ZSI	HAYDON	PHD
G309	N/A	B118 ZN	N/A	N/A	FS-5109	N/A	A-309	**5185 (4 3/16 X)

4-HOLE DUPLEX CORNER ANGLE >>

G-STRUT®	ANVIL	B-LINE/EATON	ELITE	ERICO/NVENT	FLEX-STRUT	FLORIDA/ZSI	HAYDON	PHD
G310	N/A	B126 ZN	N/A	N/A	N/A	L32 0000EG	A-310	5200

4-HOLE CORNER ANGLE >>

G-STRUT®	ANVIL	B-LINE/EATON	ELITE	ERICO/NVENT	FLEX-STRUT	FLORIDA/ZSI	HAYDON	PHD
G311	AS 607 EG	B104SH ZN	N/A	L220000EG	FS-5123	L31 0000EG	A-311	5130

4-HOLE ANGLE >>

G-STRUT®	ANVIL	B-LINE/EATON	ELITE	ERICO/NVENT	FLEX-STRUT	FLORIDA/ZSI	HAYDON	PHD
G3111	N/A	**B115 ZN (3 3/4 X 3 15/16)	N/A	N/A	FS-5125	L13 0000EG	N/A	5131

4-HOLE BENT TEE >>

G-STRUT®	ANVIL	B-LINE/EATON	ELITE	ERICO/NVENT	FLEX-STRUT	FLORIDA/ZSI	HAYDON	PHD
G312	AS 715 EG	**B357 ZN (5 3/8 X 2 1/16)	N/A	**L270000EG (5 3/8 X 1 15/16)	FS-5120?	**L50 0000EG (5 3/8 X 1 7/8)	A-312	5150

NOTE: **ACCESSORIES - Measurements may not be an exact match.

STRUT INDUSTRY PRODUCT CODES »

ACCESSORIES

6-HOLE TEE CORNER CONNECTOR »

G-STRUT®	POWER/ATKORE	PUPCO	SASCO	SUPERSTRUT/ ABB	UNISTRUT/ATKORE	VERSABAR/ZSI	WESANCO/ZSI
G221	N/A	N/A	N/A	N/A	P1953	VF-1602	N/A

6-HOLE STAGGERED HOLE CONNECTOR »

G-STRUT®	POWER/ATKORE	PUPCO	SASCO	SUPERSTRUT/ ABB	UNISTRUT/ATKORE	VERSABAR/ZSI	WESANCO/ZSI
G222	N/A	N/A	N/A	N/A	N/A	VF-1603	N/A

2-HOLE CORNER ANGLE »

G-STRUT®	POWER/ATKORE	PUPCO	SASCO	SUPERSTRUT/ ABB	UNISTRUT/ATKORE	VERSABAR/ZSI	WESANCO/ZSI
G301	N/A	AF-AS2144 EG	N/A	AB-201 EG	N/A	N/A	N/A

2-HOLE CONNECTION ANGLE »

G-STRUT®	POWER/ATKORE	PUPCO	SASCO	SUPERSTRUT/ ABB	UNISTRUT/ATKORE	VERSABAR/ZSI	WESANCO/ZSI
G302	PS 603	AF-AS603 EG	S206A-HG	AB-202 EG	P1026	VF-2201	W-5103

2-HOLE CORNER ANGLE »

G-STRUT®	POWER/ATKORE	PUPCO	SASCO	SUPERSTRUT/ ABB	UNISTRUT/ATKORE	VERSABAR/ZSI	WESANCO/ZSI
G3031	PS 2144 3	N/A	S208-3A-HG	N/A	P1281	VF-2205A	N/A
G3032	PS 2144 3-1/2	N/A	S208-35A-HG	N/A	P1282	VF-2205B	N/A
G3033	PS 2144 4	N/A	S208-4A-HG	N/A	P1283	VF-2205C	N/A

2-HOLE NO-TWIST CORNER ANGLE (2 INDENTS) »

G-STRUT®	POWER/ATKORE	PUPCO	SASCO	SUPERSTRUT/ ABB	UNISTRUT/ATKORE	VERSABAR/ZSI	WESANCO/ZSI
G304	**PS-806 (2 1/8 X 2 1/8)	N/A	S207A-HG	AB-299 EG	N/A	VF-2204N	W-5104

2-HOLE OPEN ANGLE »

G-STRUT®	POWER/ATKORE	PUPCO	SASCO	SUPERSTRUT/ ABB	UNISTRUT/ATKORE	VERSABAR/ZSI	WESANCO/ZSI
G305	N/A	N/A	N/A	N/A	N/A	N/A	N/A
G3051	N/A	N/A	N/A	N/A	N/A	N/A	-

3-HOLE CORNER ANGLE »

G-STRUT®	POWER/ATKORE	PUPCO	SASCO	SUPERSTRUT/ ABB	UNISTRUT/ATKORE	VERSABAR/ZSI	WESANCO/ZSI
G306	PS 606	AF-AS606 EG	**S209A-HG (4 1/8 X 17/16)	AB-203 EG	P1326	VF-2304	W-5112
G3063	**PS 745 (3 7/8 X 17/8)	N/A	**S210A-HG (3 7/8 X 17/8)	N/A	N/A	VF-2305	-

1-HOLE 90° CORNER ANGLE »

G-STRUT®	POWER/ATKORE	PUPCO	SASCO	SUPERSTRUT/ ABB	UNISTRUT/ATKORE	VERSABAR/ZSI	WESANCO/ZSI
G3061	PS 921 3 7/8	**AF-AS921 EG (3 7/8 X 17/8)	N/A	**AB-252-1 EG (3 7/8 X 17/8)	**P1538A (1 7/8 X 3 7/8)	**VF-2121 (3 7/8 X 17/8)	N/A
G3062	PS 921 5 7/8	N/A	N/A	**AB-252-2 EG (5 7/8 X 17/8)	**P1538B (1 7/8 X 5 7/8)	**VF-2122 (5 7/8 X 17/8)	N/A
G3063	PS 921 7 7/8	N/A	N/A	**AB-252-3 EG (7 7/8 X 17/8)	**P1538C (1 7/8 X 7 7/8)	**VF-2123 (7 7/8 X 17/8)	N/A
G3064	PS 921 9 7/8	N/A	N/A	**AB-252-4 EG (9 7/8 X 17/8)	**P1538D (1 7/8 X 9 7/8)	**VF-2124 (9 7/8 X 17/8)	N/A

3-HOLE CORNER SHELF ANGLE »

G-STRUT®	POWER/ATKORE	PUPCO	SASCO	SUPERSTRUT/ ABB	UNISTRUT/ATKORE	VERSABAR/ZSI	WESANCO/ZSI
G3071	**PS 746 (3 1/2 X 2 1/4)	**AF-AS746 EG (3 1/2 X 2 1/4)	N/A	**AB-274 EG (3 1/2 X 2 1/4)	**P1357 (3 1/2 X 2 1/4)	**VF-2310 (3 1/2 X 2 1/4)	N/A

4-HOLE CORNER SHELF ANGLE »

G-STRUT®	POWER/ATKORE	PUPCO	SASCO	SUPERSTRUT/ ABB	UNISTRUT/ATKORE	VERSABAR/ZSI	WESANCO/ZSI
G308	N/A	N/A	N/A	N/A	N/A	N/A	N/A

4-HOLE JOINT CONNECTOR ANGLE »

G-STRUT®	POWER/ATKORE	PUPCO	SASCO	SUPERSTRUT/ ABB	UNISTRUT/ATKORE	VERSABAR/ZSI	WESANCO/ZSI
G309	PS 748	N/A	S235A-HG	X-289 EG	P1359	VF-2410	W-5109

4-HOLE DUPLEX CORNER ANGLE »

G-STRUT®	POWER/ATKORE	PUPCO	SASCO	SUPERSTRUT/ ABB	UNISTRUT/ATKORE	VERSABAR/ZSI	WESANCO/ZSI
G310	PS 614	AF-AS614 EG	N/A	N/A	P1579	VF-2413	N/A

4-HOLE CORNER ANGLE »

G-STRUT®	POWER/ATKORE	PUPCO	SASCO	SUPERSTRUT/ ABB	UNISTRUT/ATKORE	VERSABAR/ZSI	WESANCO/ZSI
G311	PS 607	AF-AS607 EG	S214A-HG	AB-205 EG	P1325	VF-2407	W-5123

4-HOLE ANGLE »

G-STRUT®	POWER/ATKORE	PUPCO	SASCO	SUPERSTRUT/ ABB	UNISTRUT/ATKORE	VERSABAR/ZSI	WESANCO/ZSI
G3111	PS-660	AF-AS660 EG	N/A	N-205 EG	N/A	VF-2403	W-5125

4-HOLE BENT TEE »

G-STRUT®	POWER/ATKORE	PUPCO	SASCO	SUPERSTRUT/ ABB	UNISTRUT/ATKORE	VERSABAR/ZSI	WESANCO/ZSI
G312	**PS 715 (4 7/8 X 2)	**AF-AS715 EG (5 3/8 X 17/8)	N/A	N/A	P1033	VF-2401	N/A

NOTE: **ACCESSORIES - Measurements may not be an exact match.

STRUT INDUSTRY PRODUCT CODES »

ACCESSORIES

5-HOLE DUPLEX CORNER ANGLE »

G-STRUT®	ANVIL	B-LINE/EATON	ELITE	ERICO/NVENT	FLEX-STRUT	FLORIDA/ZSI	HAYDON	PHD
G313	N/A	B127 ZN	N/A	N/A	**FS-5117 (3 1/2 X 4 1/8)	**L33 0000EG (3 1/2 X 4 1/8)	**A-313 (4 1/8 X 3 1/2/20)	5205

5-HOLE JOINT CONNECTOR ANGLE »

G-STRUT®	ANVIL	B-LINE/EATON	ELITE	ERICO/NVENT	FLEX-STRUT	FLORIDA/ZSI	HAYDON	PHD
G314	AS 927 EG	B533 ZN	N/A	N/A	N/A	L23 0000EG	A-314	5190

SLOTTED JOINT CONNECTOR ANGLE »

G-STRUT®	ANVIL	B-LINE/EATON	ELITE	ERICO/NVENT	FLEX-STRUT	FLORIDA/ZSI	HAYDON	PHD
G315	AS 689 A EG	B112 ZN	N/A	N/A	FS-5130	L45 0000EG	A-315	5250
G3151	AS 689 B EG	B113 ZN	N/A	N/A	FS-5131	L46 0000EG	A-315-1	N/A

2-HOLE CLOSED ANGLE »

G-STRUT®	ANVIL	B-LINE/EATON	ELITE	ERICO/NVENT	FLEX-STRUT	FLORIDA/ZSI	HAYDON	PHD
G3171	AS 624 EG 45	B155 ZN	N/A	L470450EG	FS-5142-45	L61 0000EG 45	A-317-45	5361
G3172	**AS 624 EG 67 1/2	**B158 ZN (67 1/2)	N/A	N/A	N/A	L61 0000EG 67	N/A	**5364 (67 1/2)

2-HOLE OPEN ANGLE BRACKET »

G-STRUT®	ANVIL	B-LINE/EATON	ELITE	ERICO/NVENT	FLEX-STRUT	FLORIDA/ZSI	HAYDON	PHD
G3191	AS 633 EG 82 1/2	B147 ZN	N/A	N/A	N/A	L60 0000EG 82 1/2	A-319-1	5311
G3192	AS 633 EG 75	B148 ZN	N/A	N/A	N/A	L60 0000EG 75	A-319-2	5310
G3193	AS 633 EG 67 1/2	B149 ZN	N/A	N/A	N/A	L60 0000EG 67 1/2	A-319-3	5309
G3194	AS 633 EG 60	B150 ZN	N/A	L4606000EG	FS-5143-60	L60 0000EG 60	A-319-4	5308
G3195	AS 633 EG 52 1/2	B151 ZN	N/A	N/A	N/A	L60 0000EG 52 1/2	A-319-5	5307
G3196	AS 633 EG 37 1/2	B152 ZN	N/A	N/A	N/A	L60 0000EG 37 1/2	A-319-6	5306
G3197	AS 633 EG 30	B162 ZN	N/A	L4603000EG	FS-5143-30	L60 0000EG 30	A-320	5304
G3198	AS 633 EG 22 1/2	B163 ZN	N/A	N/A	N/A	L60 0000EG 22 1/2	A-320-2	5303
G3199	AS 633 EG 15	B164 ZN	N/A	N/A	N/A	L60 0000EG 15	A-320-3	5302
G31910	AS 633 EG 7 1/2	B165 ZN	N/A	N/A	N/A	L60 0000EG 7 1/2	A-320-4	5301
G31911	AS 633 EG 45	B154 ZN	N/A	L460450EG	FS-5143-45	L60 0000EG 45	A-316	5315

4-HOLE OPEN ANGLE BRACKET »

G-STRUT®	ANVIL	B-LINE/EATON	ELITE	ERICO/NVENT	FLEX-STRUT	FLORIDA/ZSI	HAYDON	PHD
G3201	AS 781 EG 7 1/2	B243 ZN	N/A	N/A	N/A	L62 0000EG 7 1/2	A-3194-1	5340
G3202	AS 781 EG 15	B244 ZN	N/A	N/A	N/A	L62 0000EG 15	A-3194-2	5341
G3203	AS 781 EG 22 1/2	B245 ZN	N/A	N/A	N/A	L62 0000EG 22 1/2	A-3194-3	5342
G3204	AS 781 EG 30	B246 ZN	N/A	N/A	FS-5145-30	L62 0000EG 30	A-3194-4	5343
G3205	AS 781 EG 37 1/2	B247 ZN	N/A	N/A	N/A	L62 0000EG 37 1/2	A-3194-5	5344
G3206	AS 781 EG 45	B248 ZN	N/A	N/A	FS-5145-45	L62 0000EG 45	A-3194-6	5345
G3207	AS 781 EG 52 1/2	B249 ZN	N/A	N/A	N/A	L62 0000EG 52 1/2	A-3194-7	5346
G3208	AS 781 EG 60	B250 ZN	N/A	N/A	FS-5145-60	L62 0000EG 60	A-3194-8	5347
G3209	AS 781 EG 67 1/2	B251 ZN	N/A	N/A	N/A	L62 0000EG 67 1/2	A-3194-9	5348
G32010	AS 781 EG 75	B252 ZN	N/A	N/A	N/A	L62 0000EG 75	A-3194-10	5349
G32011	AS 781 EG 82 1/2	B253 ZN	N/A	N/A	N/A	L62 0000EG 82 1/2	A-3194-11	5350

4-HOLE CLOSED ANGLE BRACKET »

G-STRUT®	ANVIL	B-LINE/EATON	ELITE	ERICO/NVENT	FLEX-STRUT	FLORIDA/ZSI	HAYDON	PHD
G32001	AS 793 EG 37 1/2	B369 ZN	N/A	N/A	N/A	L63 0000EG 37 1/2	A-3174-1	5370
G32002	AS 793 EG 45	B368 ZN	N/A	N/A	FS-5144-45	L63 0000EG 45	A-3174-2	5371
G32003	AS 793 EG 52 1/2	B367 ZN	N/A	N/A	N/A	L63 0000EG 52 1/2	A-3174-3	5372
G32004	AS 793 EG 60	B366 ZN	N/A	N/A	FS-5144-60	L63 0000EG 60	A-3174-4	5373
G32005	AS 793 EG 67 1/2	B365 ZN	N/A	N/A	N/A	L63 0000EG 67 1/2	A-3174-5	5374
G32006	AS 793 EG 75	B364 ZN	N/A	N/A	N/A	L63 0000EG 75	A-3174-6	5375
G32007	AS 793 EG 82 1/2	B363 ZN	N/A	N/A	N/A	L63 0000EG 82 1/2	A-3174-7	5376

3-HOLE SINGLE ANGLE CONNECTOR »

G-STRUT®	ANVIL	B-LINE/EATON	ELITE	ERICO/NVENT	FLEX-STRUT	FLORIDA/ZSI	HAYDON	PHD
G321L	N/A	B267L ZN	N/A	N/A	N/A	N/A	A-321-L	5506
G321R	N/A	B267R ZN	N/A	N/A	N/A	N/A	A-321-R	5505

6-HOLE SINGLE ANGLE CONNECTOR »

G-STRUT®	ANVIL	B-LINE/EATON	ELITE	ERICO/NVENT	FLEX-STRUT	FLORIDA/ZSI	HAYDON	PHD
G32112L	AS 2128 LH EG	B269L ZN	N/A	N/A	**FS5521 (5 5/8 X 3 7/8)	N/A	A-321-1-L	5616
G32112R	AS 2128 RH EG	B269R ZN	N/A	N/A	**FS5522 (5 5/8 X 3 7/8)	N/A	A-321-1-R	5615

3-HOLE "Z" ANGLE »

G-STRUT®	ANVIL	B-LINE/EATON	ELITE	ERICO/NVENT	FLEX-STRUT	FLORIDA/ZSI	HAYDON	PHD
G322	AS 611 EG	B105 ZN	N/A	N/A	FS-5212	N/A	A-322	5554

NOTE: **ACCESSORIES - Measurements may not be an exact match.

STRUT INDUSTRY PRODUCT CODES »

ACCESSORIES

5-HOLE DUPLEX CORNER ANGLE »

G-STRUT™	POWER/ATKORE	PUPCO	SASCO	SUPERSTRUT/ ABB	UNISTRUT/ATKORE	VERSABAR/ZSI	WESANCO/ZSI
G313	N/A	**AF-AS615 EG (4 1/8 X 3 1/2)	N/A	**AB-216 EG (3 1/2 X 4 1/8)	**P2235 (4 1/8 X 3 1/2)	**VF-2510 (4 1/8 X 3 1/2)	N/A

5-HOLE JOINT CONNECTOR ANGLE »

G-STRUT™	POWER/ATKORE	PUPCO	SASCO	SUPERSTRUT/ ABB	UNISTRUT/ATKORE	VERSABAR/ZSI	WESANCO/ZSI
G314	PS 927	AF-AS927 EG	S230A-HG	N/A	P1728	VF-2512	N/A

SLOTTED JOINT CONNECTOR ANGLE »

G-STRUT™	POWER/ATKORE	PUPCO	SASCO	SUPERSTRUT/ ABB	UNISTRUT/ATKORE	VERSABAR/ZSI	WESANCO/ZSI
G315	PS 689 A	AF-AS689-A EG	N/A	**X-204 EG (3 3/4 X 6 3/8)	P1130	VF-2204	N/A
G3151	PS 689 B	AF-AS689-B EG	N/A	N/A	P1131	VF-2204A	N/A

2-HOLE CLOSED ANGLE »

G-STRUT™	POWER/ATKORE	PUPCO	SASCO	SUPERSTRUT/ ABB	UNISTRUT/ATKORE	VERSABAR/ZSI	WESANCO/ZSI
G3171	PS 624 45	AF-AS624-6 - 45 EG	S278A-HG	AB-225 EG	P1186	VF-3202	W-5465
G3172	**PS 624 67 (67 1/2)	AF-AS624-6 - 67 EG	N/A	N/A	N/A	N/A	N/A

2-HOLE OPEN ANGLE BRACKET »

G-STRUT™	POWER/ATKORE	PUPCO	SASCO	SUPERSTRUT/ ABB	UNISTRUT/ATKORE	VERSABAR/ZSI	WESANCO/ZSI
G3191	PS 633 82 1/2	AF-AS633- 82 1/2 EG	N/A	N/A	P2094	VF-3207	N/A
G3192	PS 633 75	AF-AS633- 75 EG	N/A	N/A	P2095	VF-3208	N/A
G3193	PS 633 67 1/2	AF-AS633- 67 1/2 EG	N/A	N/A	P2096	VF-3210	N/A
G3194	PS 633 60	AF-AS633- 60 EG	S253A-HG	N/A	P2097	VF-3206	W-5423
G3195	PS 633 52 1/2	AF-AS633- 52 1/2 EG	N/A	N/A	P2098	VF-3211	N/A
G3196	PS 633 37 1/2	AF-AS633- 37 1/2 EG	N/A	N/A	**P2100 (37 1/2 X 2 11/16)	VF-3248 37 1/2	N/A
G3197	PS 633 30	AF-AS633- 30 EG	S258A-HG	N/A	P2101	VF-3248 30	W-5427
G3198	PS 633 22 1/2	AF-AS633- 22 1/2 EG	N/A	N/A	P2102	VF-3248 22 1/2	N/A
G3199	PS 633 15	AF-AS633- 15 EG	N/A	N/A	P2103	VF-3248 15	N/A
G31910	PS 633 7 1/2	AF-AS633- 7 1/2 EG	N/A	N/A	P2104	VF-3248 7 1/2	N/A
G31911	PS 633 45	AF-AS633 - 45 EG	S255A-HG	AB-227 EG	P1546	VF-2303	W-5427

4-HOLE OPEN ANGLE BRACKET »

G-STRUT™	POWER/ATKORE	PUPCO	SASCO	SUPERSTRUT/ ABB	UNISTRUT/ATKORE	VERSABAR/ZSI	WESANCO/ZSI
G3201	PS 781 7 1/2	AF-AS781 7 1/2 EG	N/A	N/A	P2260	VF-3402 7 1/2	N/A
G3202	PS 781 15	AF-AS781 7 1/2 EG	N/A	N/A	P2261	VF-3402 15	N/A
G3203	PS 781 22 1/2	AF-AS781 7 1/2 EG	N/A	N/A	P2262	VF-3402 22 1/2	N/A
G3204	PS 781 30	AF-AS781 7 1/2 EG	S265A-HG	N/A	P2263	VF-3402 30	W-5447
G3205	PS 781 37 1/2	AF-AS781 7 1/2 EG	N/A	N/A	P2264	VF-3402 37 1/2	N/A
G3206	PS 781 45	AF-AS791-45	S267A-HG	N/A	P2265	VF-3402 45	W-5445
G3207	PS 781 52 1/2	AF-AS781 7 1/2 EG	N/A	N/A	P2266	VF-3402 52 1/2	N/A
G3208	PS 781 60	AF-AS781 7 1/2 EG	S269A-HG	N/A	P2267	VF-3402 60	W-5443
G3209	PS 781 67 1/2	AF-AS781 7 1/2 EG	N/A	N/A	P2268	VF-3402 67 1/2	N/A
G32010	PS 781 75	AF-AS781 7 1/2 EG	N/A	N/A	P2269	VF-3402 75	N/A
G32011	PS 781 82 1/2	AF-AS781 7 1/2 EG	N/A	N/A	P2270	VF-3402 82 1/2	N/A

4-HOLE CLOSED ANGLE BRACKET »

G-STRUT™	POWER/ATKORE	PUPCO	SASCO	SUPERSTRUT/ ABB	UNISTRUT/ATKORE	VERSABAR/ZSI	WESANCO/ZSI
G32001	PS 793 37 1/2	AF-AS793-37 1/2 EG	N/A	N/A	N/A	VF-3430	N/A
G32002	PS 793 45	AF-AS793-45 EG	S285A-HG	N/A	N/A	VF-3429	W-5415
G32003	PS 793 52 1/2	AF-AS793-52 1/2 EG	N/A	N/A	N/A	VF-3428	N/A
G32004	PS 793 60	AF-AS793-60 EG	S283A-HG	N/A	N/A	VF-3427	W-5413
G32005	PS 793 67 1/2	AF-AS793-67 1/2 EG	N/A	N/A	N/A	VF-3426	N/A
G32006	PS 793 75	AF-AS793-75 EG	N/A	N/A	N/A	VF-3425	N/A
G32007	PS 793 82 1/2	AF-AS793-82 1/2 EG	N/A	N/A	N/A	VF-3424	N/A

3-HOLE SINGLE ANGLE CONNECTOR »

G-STRUT™	POWER/ATKORE	PUPCO	SASCO	SUPERSTRUT/ ABB	UNISTRUT/ATKORE	VERSABAR/ZSI	WESANCO/ZSI
G321L	N/A	N/A	N/A	AW-205-L EG	N/A	N/A	N/A
G321R	N/A	N/A	N/A	AW-205-R EG	N/A	N/A	-

6-HOLE SINGLE ANGLE CONNECTOR »

G-STRUT™	POWER/ATKORE	PUPCO	SASCO	SUPERSTRUT/ ABB	UNISTRUT/ATKORE	VERSABAR/ZSI	WESANCO/ZSI
G32112L	**PS 2128 L (3 1/2 X 3 3/4)	N/A	N/A	N/A	N/A	N/A	N/A
G32112R	**PS 2128 R (3 1/2 X 3 3/4)	N/A	N/A	N/A	N/A	N/A	N/A

3-HOLE "Z" ANGLE »

G-STRUT™	POWER/ATKORE	PUPCO	SASCO	SUPERSTRUT/ ABB	UNISTRUT/ATKORE	VERSABAR/ZSI	WESANCO/ZSI
G322	**PS 2054 (3 1/2 X 17/8)	N/A	N/A	N/A	N/A	N/A	N/A

NOTE: **ACCESSORIES - Measurements may not be an exact match.

STRUT INDUSTRY PRODUCT CODES >>

ACCESSORIES

2-HOLE "Z" ANGLE >>

G-STRUT®	ANVIL	B-LINE/EATON	ELITE	ERICO/NVENT	FLEX-STRUT	FLORIDA/ZSI	HAYDON	PHD
G323	AS 612 EG	B106-42 ZN	N/A	N/A	FS-5214	N/A	**A-323 (3 1/4 X 1)	N/A
G3231	N/A	B106-12 ZN	N/A	N/A	FS-5211	**Z12 0000EG (2 7/16 X 2 1/8)	**A-323-22 (3 1/4 X 2 7/16)	5553
G3232	N/A	B106-32 ZN	N/A	N/A	FS-5213	**Z20 0000EG (1 5/8 X 3 1/2)	**A-323-42 (3 1/4 X 1 3/8)	N/A
G3233	AS 928 EG	B106-52 ZN	N/A	N/A	FS-5215	**Z10 0000EG (2 1/8 X 13/16)	**A-323-62 (3 1/4 X 13/16)	5551
G3234	N/A	N/A	N/A	N/A	**FS-5210 (3 1/4)	**Z13 0000EG (3 1/4 X 2 1/8)	N/A	5552
G3235	N/A	B586 ZN	N/A	N/A	FS-5209	N/A	**A-341 (4 7/8 X 3 1/8)	5558

4-HOLE DOUBLE ANGLE CONNECTOR >>

G-STRUT®	ANVIL	B-LINE/EATON	ELITE	ERICO/NVENT	FLEX-STRUT	FLORIDA/ZSI	HAYDON	PHD
G326	AS 665 EG	B119 ZN	N/A	N/A	N/A	N/A	N/A	5620

8-HOLE DOUBLE ANGLE 90° WING CONNECTOR >>

G-STRUT®	ANVIL	B-LINE/EATON	ELITE	ERICO/NVENT	FLEX-STRUT	FLORIDA/ZSI	HAYDON	PHD
G3261	AS 667 EG	B121 ZN	N/A	N/A	**FS-5523 (5 3/8 X 3 7/8)	N/A	**A-326-1 (5 3/8 X 3 7/8)	5630

5-HOLE DOUBLE ANGLE CONNECTOR >>

G-STRUT®	ANVIL	B-LINE/EATON	ELITE	ERICO/NVENT	FLEX-STRUT	FLORIDA/ZSI	HAYDON	PHD
G327	**AS 923 (5 3/8 X 2 1/18)	B271 ZN	N/A	N/A	**FS-5513 (5 3/8 X 2)	**W30 0000EG (5 7/16 X 2)	**A-327 (5 3/8 X 2 1/16)	5635

10-HOLE DOUBLE ANGLE CONNECTOR >>

G-STRUT®	ANVIL	B-LINE/EATON	ELITE	ERICO/NVENT	FLEX-STRUT	FLORIDA/ZSI	HAYDON	PHD
G3271	**AS 913 (3 15/16 X 9 1/4)**B273 (3 15/16 X 9 3/16)	N/A	N/A	N/A	**FS-5528 (9 3/16 X 3 7/8)	**W33 0000EG (3 7/8 X 9 3/16)	**A-327-1 (9 1/4 X 3 15/16)	5645

6-HOLE TRIPLE ANGLE CONNECTOR >>

G-STRUT®	ANVIL	B-LINE/EATON	ELITE	ERICO/NVENT	FLEX-STRUT	FLORIDA/ZSI	HAYDON	PHD
G3281	AS 668 EG	N/A	N/A	**W190000EG (3 1/2 X 5 7/16)	N/A	**W40 0000EG (2 X 5 7/16)	**A-328 (5 3/8 X 2 1/16)	N/A

12-HOLE TRIPLE ANGLE WING CONNECTOR >>

G-STRUT®	ANVIL	B-LINE/EATON	ELITE	ERICO/NVENT	FLEX-STRUT	FLORIDA/ZSI	HAYDON	PHD
G329	N/A	N/A	N/A	N/A	N/A	**W42 0000EG (9 3/16 X 1 5/8)	N/A	5655

5-HOLE CORNER ANGLE >>

G-STRUT®	ANVIL	B-LINE/EATON	ELITE	ERICO/NVENT	FLEX-STRUT	FLORIDA/ZSI	HAYDON	PHD
G329L	N/A	B268L ZN	N/A	N/A	N/A	N/A	N/A	5611
G329R	N/A	B268R ZN	N/A	N/A	N/A	N/A	N/A	5610

3-HOLE 90° ANGLE >>

G-STRUT®	ANVIL	B-LINE/EATON	ELITE	ERICO/NVENT	FLEX-STRUT	FLORIDA/ZSI	HAYDON	PHD
G330L	N/A	B236L ZN	N/A	**L26L0000EG (3 1/2 X 2)	**FS-5135 (3 1/2 X 2)	N/A	**A-330-L (3 1/2 X 2)	5146
G330R	N/A	B236-R ZN	N/A	**L26R0000EG (3 1/2 X 2)	**FS-5136 (3 1/2 X 2)	N/A	**A-330-R (3 1/2 X 2)	5141

3-HOLE ADJUSTABLE CORNER ANGLE >>

G-STRUT®	ANVIL	B-LINE/EATON	ELITE	ERICO/NVENT	FLEX-STRUT	FLORIDA/ZSI	HAYDON	PHD
G331	AS 3049 EG	B371-2 ZN	N/A	N/A	N/A	L43 0000EG	A-3360	5230

2-HOLE TAPPED CORNER ANGLE >>

G-STRUT®	ANVIL	B-LINE/EATON	ELITE	ERICO/NVENT	FLEX-STRUT	FLORIDA/ZSI	HAYDON	PHD
G332	N/A	B109S ZN	N/A	N/A	FS-5150	N/A	N/A	5260

2-HOLE ADJUSTABLE CORNER ANGLE >>

G-STRUT®	ANVIL	B-LINE/EATON	ELITE	ERICO/NVENT	FLEX-STRUT	FLORIDA/ZSI	HAYDON	PHD
G333	N/A	B371 ZN	N/A	N/A	FS-5105	**L40 0000EG (2 5/8 X 1 5/8)	**A-337 (2 5/8 X 1 5/8)	5220

2-HOLE ADJUSTABLE CORNER ANGLE >>

G-STRUT®	ANVIL	B-LINE/EATON	ELITE	ERICO/NVENT	FLEX-STRUT	FLORIDA/ZSI	HAYDON	PHD
G334	N/A	B461 ZN	N/A	N/A	N/A	L44 0000EG	N/A	5228

UNIVERSAL SHELF BRACKET >>

G-STRUT®	ANVIL	B-LINE/EATON	ELITE	ERICO/NVENT	FLEX-STRUT	FLORIDA/ZSI	HAYDON	PHD
G335	**AS 3373 EG (4 X 4)	**B844 ZN (4 X 4)	N/A	L23U0000EG	FS-5124	L34 0000EG	**A-335 (4 X 4)	5165

SLOTTED ANGLE >>

G-STRUT®	ANVIL	B-LINE/EATON	ELITE	ERICO/NVENT	FLEX-STRUT	FLORIDA/ZSI	HAYDON	PHD
G336	AS 763 EG	B496-1 ZN	N/A	L160000EG	FS-5107	L41 0000EG	**A-336 (4 7/16)	5226
G3361	AS 764 EG	B496 ZN	N/A	L170000EG	FS-5108	L42 0000EG	A-336-1	5225
G337	AS 2545 EG	B372 ZN	N/A	L150000EG	FS-5106	L40 0000EG	A-337	5221

2-HOLE OFFSET ANGLE >>

G-STRUT®	ANVIL	B-LINE/EATON	ELITE	ERICO/NVENT	FLEX-STRUT	FLORIDA/ZSI	HAYDON	PHD
G3381	AS 2144 EG 3"	B359 ZN	N/A	L120300EG	N/A	L14 0000EG	A-338-1	5115
G3382	AS 2144 EG 3 1/2"	B360 ZN	N/A	L120350EG	N/A	L15 0000EG	A-338-2	5116
G3383	AS 2144 EG 4"	B361 ZN	N/A	L120400EG	N/A	L16 0000EG	A-338-3	5118

NOTE: **ACCESSORIES - Measurements may not be an exact match.

STRUT INDUSTRY PRODUCT CODES »

ACCESSORIES

2-HOLE "Z" ANGLE »

G-STRUT®	POWER/ATKORE	PUPCO	SASCO	SUPERSTRUT/ ABB	UNISTRUT/ATKORE	VERSABAR/ZSI	WESANCO/ZSI
G323	PS 612	N/A	N/A	N/A	N/A	**VF-4301-10 (3 3/4 X 1)	N/A
G3231	PS 2601	N/A	N/A	N/A	**P5545 (3 3/4 X 2 7/16)	N/A	N/A
G3232	**PS 711 (3 3/4 X 1 3/8)	N/A	N/A	N/A	**P3045 (3 3/4 X 1 3/8)	**VF-4301-6 (3 3/4 X 1 3/8)	N/A
G3233	**PS 928 (3 3/4 X 13/16)	N/A	N/A	N/A	**P4045 (3 3/4 X 13/16)	**VF-4301-4 (3 3/4 X 13/16)	N/A
G3234	N/A	N/A	N/A	N/A	N/A	N/A	N/A
G3235	N/A	N/A	N/A	N/A	N/A	**VF-4205 (3 3/4 X 4 7/8)	N/A

4-HOLE DOUBLE ANGLE CONNECTOR »

G-STRUT®	POWER/ATKORE	PUPCO	SASCO	SUPERSTRUT/ ABB	UNISTRUT/ATKORE	VERSABAR/ZSI	WESANCO/ZSI
G326	N/A	N/A	N/A	N/A	N/A	N/A	N/A

8-HOLE DOUBLE ANGLE 90° WING CONNECTOR »

G-STRUT®	POWER/ATKORE	PUPCO	SASCO	SUPERSTRUT/ ABB	UNISTRUT/ATKORE	VERSABAR/ZSI	WESANCO/ZSI
G3261	N/A	N/A	N/A	N/A	N/A	N/A	N/A

5-HOLE DOUBLE ANGLE CONNECTOR »

G-STRUT®	POWER/ATKORE	PUPCO	SASCO	SUPERSTRUT/ ABB	UNISTRUT/ATKORE	VERSABAR/ZSI	WESANCO/ZSI
G327	**PS 923 (5 13/32 X 2)	**WF-AS923 EG (5 7/16 X 2)	**S536W-HG (5 13/32 X 2)	N/A	N/A	N/A	N/A

10-HOLE DOUBLE ANGLE CONNECTOR »

G-STRUT®	POWER/ATKORE	PUPCO	SASCO	SUPERSTRUT/ ABB	UNISTRUT/ATKORE	VERSABAR/ZSI	WESANCO/ZSI
G3271	N/A	N/A	N/A	N/A	N/A	N/A	N/A

6-HOLE TRIPLE ANGLE CONNECTOR »

G-STRUT®	POWER/ATKORE	PUPCO	SASCO	SUPERSTRUT/ ABB	UNISTRUT/ATKORE	VERSABAR/ZSI	WESANCO/ZSI
G3281	N/A	N/A	N/A	N/A	N/A	N/A	N/A

12-HOLE TRIPLE ANGLE WING CONNECTOR »

G-STRUT®	POWER/ATKORE	PUPCO	SASCO	SUPERSTRUT/ ABB	UNISTRUT/ATKORE	VERSABAR/ZSI	WESANCO/ZSI
G329	N/A	WF-AS669 EG	N/A	N/A	N/A	N/A	N/A

5-HOLE CORNER ANGLE »

G-STRUT®	POWER/ATKORE	PUPCO	SASCO	SUPERSTRUT/ ABB	UNISTRUT/ATKORE	VERSABAR/ZSI	WESANCO/ZSI
G329L	N/A	N/A	N/A	N/A	N/A	N/A	N/A
G329R	N/A	N/A	N/A	N/A	N/A	N/A	N/A

3-HOLE 90° ANGLE »

G-STRUT®	POWER/ATKORE	PUPCO	SASCO	SUPERSTRUT/ ABB	UNISTRUT/ATKORE	VERSABAR/ZSI	WESANCO/ZSI
G330L	**PS 720 L (3 1/4 X 2)	N/A	N/A	**AB260 L EG (3 1/2 X 2 1/4)	**P1037L (3 1/2 X 2)	**VF-2315L (3 1/2 X 2)	**W-5135 (3 1/2 X 2)
G330R	**PS 720 R (3 1/4 X 2)	N/A	N/A	**AB260 R EG (3 1/2 X 2 1/4)	**P1038R (3 1/2 X 2)	**VF-2315R (3 1/2 X 2)	**W-5136 (3 1/2 X 2)

3-HOLE ADJUSTABLE CORNER ANGLE »

G-STRUT®	POWER/ATKORE	PUPCO	SASCO	SUPERSTRUT/ ABB	UNISTRUT/ATKORE	VERSABAR/ZSI	WESANCO/ZSI
G331	PS 3049	AF-AS3049	N/A	N/A	P1747	VF-2507	N/A

2-HOLE TAPPED CORNER ANGLE »

G-STRUT®	POWER/ATKORE	PUPCO	SASCO	SUPERSTRUT/ ABB	UNISTRUT/ATKORE	VERSABAR/ZSI	WESANCO/ZSI
G332	N/A	N/A	N/A	N/A	P1723	VF-2202T	N/A

2-HOLE ADJUSTABLE CORNER ANGLE »

G-STRUT®	POWER/ATKORE	PUPCO	SASCO	SUPERSTRUT/ ABB	UNISTRUT/ATKORE	VERSABAR/ZSI	WESANCO/ZSI
G333	PS 2520	AF-AS2545 EG	N/A	N/A	N/A	VF-2217	N/A

2-HOLE ADJUSTABLE CORNER ANGLE »

G-STRUT®	POWER/ATKORE	PUPCO	SASCO	SUPERSTRUT/ ABB	UNISTRUT/ATKORE	VERSABAR/ZSI	WESANCO/ZSI
G334	N/A	AF-AS2113 EG	N/A	N/A	P1713	VF-2215	N/A

UNIVERSAL SHELF BRACKET »

G-STRUT®	POWER/ATKORE	PUPCO	SASCO	SUPERSTRUT/ ABB	UNISTRUT/ATKORE	VERSABAR/ZSI	WESANCO/ZSI
G335	**PS 3373 (4 X 4)	AF-AS3373 EG	N/A	N/A	**P2484 (4 X 4)	VF-2708	W-5124

SLOTTED ANGLE »

G-STRUT®	POWER/ATKORE	PUPCO	SASCO	SUPERSTRUT/ ABB	UNISTRUT/ATKORE	VERSABAR/ZSI	WESANCO/ZSI
G336	PS 763	AF-AS763 EG	N/A	X-201 EG	P1498	VF-2208	N/A
G3361	PS 764	AF-AS764 EG	N/A	N/A	P1499	VF-2208A	N/A
G337	**PS 2520 (1 5/16 X 5 5/8)	AF-AS2545 EG	N/A	X-299 EG	P1750	VF-2228A	N/A

2-HOLE OFFSET ANGLE »

G-STRUT®	POWER/ATKORE	PUPCO	SASCO	SUPERSTRUT/ ABB	UNISTRUT/ATKORE	VERSABAR/ZSI	WESANCO/ZSI
G3381	PS 2144 3	AS2144	S208-3A-HG	N/A	P1281	VF-2205A	N/A
G3382	PS 2144 3 1/2	N/A	S208-35A-HG	N/A	P1282	VF-2205B	N/A
G3383	PS 2144 4	N/A	S208-4A-HG	N/A	P1283	VF-2205C	N/A

NOTE: **ACCESSORIES - Measurements may not be an exact match.

CROSS REFERENCE CHARTS

STRUT INDUSTRY PRODUCT CODES >>

ACCESSORIES

3-HOLE OFFSET BENT TEE >>

G-STRUT®	ANVIL	B-LINE/EATON	ELITE	ERICO/NVENT	FLEX-STRUT	FLORIDA/ZSI	HAYDON	PHD
G339	N/A	B237 ZN	N/A	N/A	N/A	N/A	N/A	5148

5-HOLE OFFSET BENT TEE >>

G-STRUT®	ANVIL	B-LINE/EATON	ELITE	ERICO/NVENT	FLEX-STRUT	FLORIDA/ZSI	HAYDON	PHD
G340	N/A	B239 ZN	N/A	N/A	FS-5120 (5 3/8 X ?)	N/A	N/A	5160

4-HOLE OFFSET BENT TEE >>

G-STRUT®	ANVIL	B-LINE/EATON	ELITE	ERICO/NVENT	FLEX-STRUT	FLORIDA/ZSI	HAYDON	PHD
G3411	N/A	B238R ZN	N/A	L25L0000EG	N/A	N/A	N/A	5155
G3412	N/A	B238L ZN	N/A	L25R0000EG	N/A	N/A	N/A	5156

"Z" ANGLE DUCT CONNECTOR >>

G-STRUT®	ANVIL	B-LINE/EATON	ELITE	ERICO/NVENT	FLEX-STRUT	FLORIDA/ZSI	HAYDON	PHD
G34101	N/A	B387 ZN	N/A	N/A	N/A	**Z30 0000EG (4 X 15/8)	N/A	N/A
G34102	N/A	B387-1 ZN	N/A	N/A	N/A	N/A	N/A	5561
G34103	N/A	B387-2 ZN	N/A	N/A	N/A	**Z30 0000EG (4 X 15/8)	N/A	5562

4-HOLE JOINT CORNER ANGLE >>

G-STRUT®	ANVIL	B-LINE/EATON	ELITE	ERICO/NVENT	FLEX-STRUT	FLORIDA/ZSI	HAYDON	PHD
G3421	N/A	B234L ZN	N/A	N/A	N/A	N/A	N/A	N/A
G3422	N/A	B234R ZN	N/A	N/A	N/A	N/A	N/A	N/A
G3431	N/A	B134L ZN	N/A	N/A	N/A	N/A	N/A	5171
G3432	N/A	B134R ZN	N/A	N/A	N/A	N/A	N/A	5176

2-HOLE DUCT ANGLE >>

G-STRUT®	ANVIL	B-LINE/EATON	ELITE	ERICO/NVENT	FLEX-STRUT	FLORIDA/ZSI	HAYDON	PHD
G344	AS 603 EG	B521 ZN	N/A	N/A	FS-5103	**L11 0000EG (17/8 X 2 1/8)	A-302	5270

CHANNEL HANGER >>

G-STRUT®	ANVIL	B-LINE/EATON	ELITE	ERICO/NVENT	FLEX-STRUT	FLORIDA/ZSI	HAYDON	PHD
G3461	N/A	B410-52 ZN	N/A	N/A	N/A	Z40 0000EG	N/A	5581
G3462	N/A	B410-22 ZN	N/A	N/A	N/A	Z41 0000EG	N/A	5580
G3463	N/A	**B410-12 ZN (2.7/16X13/16)	N/A	N/A	N/A	**Z42 0000 EG (13/16 X 2.7/16)	N/A	5583
G3464	N/A	B410-11 ZN	N/A	N/A	N/A	Z43 0000EG	N/A	5582

TAPPED "Z" ANGLE >>

G-STRUT®	ANVIL	B-LINE/EATON	ELITE	ERICO/NVENT	FLEX-STRUT	FLORIDA/ZSI	HAYDON	PHD
G347	N/A	B534 ZN	N/A	N/A	N/A	N/A	N/A	5565

3-HOLE SHEATH CORNER CONNECTOR >>

G-STRUT®	ANVIL	B-LINE/EATON	ELITE	ERICO/NVENT	FLEX-STRUT	FLORIDA/ZSI	HAYDON	PHD
G348	N/A	B111 ZN	N/A	N/A	N/A	N/A	N/A	5575

ADJUSTABLE OFFSET "Z" ANGLE >>

G-STRUT®	ANVIL	B-LINE/EATON	ELITE	ERICO/NVENT	FLEX-STRUT	FLORIDA/ZSI	HAYDON	PHD
G349	N/A	B515 ZN	N/A	N/A	N/A	Z60 0000EG	N/A	5590

8-HOLE DOUBLE WING CONNECTOR >>

G-STRUT®	ANVIL	B-LINE/EATON	ELITE	ERICO/NVENT	FLEX-STRUT	FLORIDA/ZSI	HAYDON	PHD
G350	**AS 821 EG (5 13/32 X 3 7/8)	B272 ZN	N/A	N/A	N/A	**W31 0000EG (5 7/16 X 3 7/8)	**A-327-2 (3 15/16 X 5 3/8)	5640

9-HOLE TRIPLE WING CONNECTOR >>

G-STRUT®	ANVIL	B-LINE/EATON	ELITE	ERICO/NVENT	FLEX-STRUT	FLORIDA/ZSI	HAYDON	PHD
G351	N/A	B124 ZN	**9SWC09375G (3 1/2 X 5 7/16)	**W200000EG (5 7/16 X 3 3/4)	**FS-5520 (5 3/16 X 3 7/8)	**W41 0000EG (5 7/16 X 3 7/8)	N/A	5660

8-HOLE DOUBLE CORNER CONNECTOR >>

G-STRUT®	ANVIL	B-LINE/EATON	ELITE	ERICO/NVENT	FLEX-STRUT	FLORIDA/ZSI	HAYDON	PHD
G352	N/A	B362 ZN	N/A	N/A	N/A	N/A	N/A	5665

10-HOLE DOUBLE CORNER ANGLE >>

G-STRUT®	ANVIL	B-LINE/EATON	ELITE	ERICO/NVENT	FLEX-STRUT	FLORIDA/ZSI	HAYDON	PHD
G353L	N/A	B495 ZN	N/A	**W180000EG (9 5/32 X 3 3/4)	FS-5528	W33 0000EG	N/A	5675

6 HOLE DOUBLE CORNER CONNECTOR >>

G-STRUT®	ANVIL	B-LINE/EATON	ELITE	ERICO/NVENT	FLEX-STRUT	FLORIDA/ZSI	HAYDON	PHD
G354	AS 666 EG	N/A	N/A	N/A	FS-5518	**W21 (3 7/8 X 1 5/8)	N/A	N/A

NOTE: **ACCESSORIES - Measurements may not be an exact match.

STRUT INDUSTRY PRODUCT CODES >>

ACCESSORIES

3-HOLE OFFSET BENT TEE >>

G-STRUT®	POWER/ATKORE	PUPCO	SASCO	SUPERSTRUT/ ABB	UNISTRUT/ATKORE	VERSABAR/ZSI	WESANCO/ZSI
G339	N/A	N/A	N/A	N/A	N/A	N/A	N/A

5-HOLE OFFSET BENT TEE >>

G-STRUT®	POWER/ATKORE	PUPCO	SASCO	SUPERSTRUT/ ABB	UNISTRUT/ATKORE	VERSABAR/ZSI	WESANCO/ZSI
G340	PS 713	N/A	N/A	N/A	P1029	N/A	N/A

4-HOLE OFFSET BENT TEE >>

G-STRUT®	POWER/ATKORE	PUPCO	SASCO	SUPERSTRUT/ ABB	UNISTRUT/ATKORE	VERSABAR/ZSI	WESANCO/ZSI
G3411	**PS 716L (3 1/2 X 3 1/2)	N/A	N/A	N/A	**P1034 (3 1/2 X 3 1/2)	**VF-2402R (3 1/2 X 3 1/2)	N/A
G3412	**PS 716R (3 1/2 X 3 1/2)	N/A	N/A	N/A	**P1035 (3 1/2 X 3 1/2)	**VF-2402L (3 1/2 X 3 1/2)	N/A

"Z" ANGLE DUCT CONNECTOR >>

G-STRUT®	POWER/ATKORE	PUPCO	SASCO	SUPERSTRUT/ ABB	UNISTRUT/ATKORE	VERSABAR/ZSI	WESANCO/ZSI
G34101	N/A	N/A	N/A	N/A	N/A	N/A	-
G34102	N/A	N/A	N/A	N/A	N/A	N/A	N/A
G34103	N/A	N/A	N/A	N/A	N/A	N/A	N/A

4-HOLE JOINT CORNER ANGLE >>

G-STRUT®	POWER/ATKORE	PUPCO	SASCO	SUPERSTRUT/ ABB	UNISTRUT/ATKORE	VERSABAR/ZSI	WESANCO/ZSI
G3421	**PS 752 L (4 1/8 X 3 1/2)	N/A	**S217A-HG (4 1/8 X 3 1/2)	N/A	N/A	**VF-2411L (4 1/8 X 3 1/2)	N/A
G3422	**PS 752 R (4 1/8 X 3 1/2)	N/A	**S218A-HG (4 1/8 X 3 1/2)	N/A	N/A	**VF-2411R (4 1/8 X 3 1/2)	N/A
G3431	N/A	N/A	**S233A-HG (3 1/2 X 3 7/8)	N/A	N/A	**VF-2421L (3 7/8 X 3 1/2)	N/A
G3432	N/A	N/A	**S232A-HG (3 1/2 X 3 7/8)	N/A	N/A	**VF-2421R (3 7/8 X 3 1/2)	N/A

2-HOLE DUCT ANGLE >>

G-STRUT®	POWER/ATKORE	PUPCO	SASCO	SUPERSTRUT/ ABB	UNISTRUT/ATKORE	VERSABAR/ZSI	WESANCO/ZSI
G344	PS 603	AF-AS603	S206A-HG	540-3/8	P1026	VF-2201	W-5102

CHANNEL HANGER >>

G-STRUT®	POWER/ATKORE	PUPCO	SASCO	SUPERSTRUT/ ABB	UNISTRUT/ATKORE	VERSABAR/ZSI	WESANCO/ZSI
G3461	PS 2532	ZF-AS2532 - 13/16 EG	N/A	N/A	N/A	N/A	N/A
G3462	N/A	ZF-AS2532 - 1 5/8 EG	N/A	N/A	P2360	N/A	N/A
G3463	N/A	ZF-AS2532 - 2 7/8 EG	N/A	N/A	N/A	N/A	N/A
G3464	N/A	ZF-AS2532 - 3 1/4 EG	N/A	N/A	N/A	N/A	N/A

TAPPED "Z" ANGLE >>

G-STRUT®	POWER/ATKORE	PUPCO	SASCO	SUPERSTRUT/ ABB	UNISTRUT/ATKORE	VERSABAR/ZSI	WESANCO/ZSI
G347	PS 647	**ZF-AS611 (2 1/8 X 1 5/8)	N/A	N/A	N/A	VF-4201	N/A

3-HOLE SHEATH CORNER CONNECTOR >>

G-STRUT®	POWER/ATKORE	PUPCO	SASCO	SUPERSTRUT/ ABB	UNISTRUT/ATKORE	VERSABAR/ZSI	WESANCO/ZSI
G348	N/A	N/A	N/A	N/A	P1736	VF-3303	N/A

ADJUSTABLE OFFSET "Z" ANGLE >>

G-STRUT®	POWER/ATKORE	PUPCO	SASCO	SUPERSTRUT/ ABB	UNISTRUT/ATKORE	VERSABAR/ZSI	WESANCO/ZSI
G349	PS 692	ZF-AS692 EG	N/A	N/A	N/A	VF-4303	N/A

8-HOLE DOUBLE WING CONNECTOR >>

G-STRUT®	POWER/ATKORE	PUPCO	SASCO	SUPERSTRUT/ ABB	UNISTRUT/ATKORE	VERSABAR/ZSI	WESANCO/ZSI
G350	**PS 821 (5 13/32 X 3 7/8)	**WF-AS821 EG (5 7/16 X 3 7/8)	**S537W-HG (5 13/32 X 3 7/8)	**AW-224 (5 7/16 X 3 7/8)	N/A	**VF-6801 (5 13/32 X 3 5/8)	N/A

9-HOLE TRIPLE WING CONNECTOR >>

G-STRUT®	POWER/ATKORE	PUPCO	SASCO	SUPERSTRUT/ ABB	UNISTRUT/ATKORE	VERSABAR/ZSI	WESANCO/ZSI
G351	N/A	**WF-AS670 EG (5 7/16 X 3 7/8)	N/A	N/A	N/A	N/A	N/A

8-HOLE DOUBLE CORNER CONNECTOR >>

G-STRUT®	POWER/ATKORE	PUPCO	SASCO	SUPERSTRUT/ ABB	UNISTRUT/ATKORE	VERSABAR/ZSI	WESANCO/ZSI
G352	N/A	**WF-AS943 EG (3 1/2 X 3 1/2)	N/A	N/A	N/A	N/A	N/A

10-HOLE DOUBLE CORNER ANGLE >>

G-STRUT®	POWER/ATKORE	PUPCO	SASCO	SUPERSTRUT/ ABB	UNISTRUT/ATKORE	VERSABAR/ZSI	WESANCO/ZSI
G353L	**PS 945 (9 5/32 X 3 7/8)	WF-AS945 EG	N/A	**AW-219 (3 7/8 X 9 6/32)	**P2348 (3 7/8 X 9 5/32)	**VF-21001 (9 5/32 X 3 5/8)	N/A

6 HOLE DOUBLE CORNER CONNECTOR >>

G-STRUT®	POWER/ATKORE	PUPCO	SASCO	SUPERSTRUT/ ABB	UNISTRUT/ATKORE	VERSABAR/ZSI	WESANCO/ZSI
G354	N/A	**WF-AS666 EG (1 5/8 X 3 7/8)	N/A	AW-214	P2224	**VF-3601 (3 5/8 X 1 5/8)	N/A

NOTE: **ACCESSORIES - Measurements may not be an exact match.

STRUT INDUSTRY PRODUCT CODES >>

ACCESSORIES

"U" SUPPORT >>

G-STRUT®	ANVIL	B-LINE/EATON	ELITE	ERICO/NVENT	FLEX-STRUT	FLORIDA/ZSI	HAYDON	PHD
G6011	AS 978 EG	**B116-42 ZN (5 7/16 X 1)	N/A	N/A	**FS-5311-2 (5 3/8 X 1)	N/A	**B601-1 (5 3/8 X 1)	N/A
G6012	AS 710 EG	**B116-32 ZN (5 7/16 X 1 3/8)	N/A	N/A	**FS-5311-3 (5 3/8 X 1 3/8)	N/A	**B601-2 (5 3/8 X 1 3/8)	N/A
G6013	AS 2119 EG	**B107 ZN (5 7/16 X 1 5/8)	N/A	N/A	N/A	N/A	**B601-3 (5 3/8 X 1 5/8)	N/A
G6014	AS 2648 EG	**B116-12 ZN (5 7/16 X 2 7/16)	N/A	N/A	**FS-5311-4 (5 3/8 X 2 7/16)	**U12 0000EG (5 3/8 X 2 7/16)	**B601-4 (5 3/8 X 2 7/16)	5505
G6015	N/A	**B116-32A ZN (5 7/16 X 2 3/4)	N/A	N/A	N/A	N/A	**B601-5 (5 3/8 X 2 3/4)	N/A
G6016	AS 679 EG	**B107-22A ZN (5 7/16 X 3 1/4)	N/A	N/A	**FS-5311-5 (5 3/8 X 3 1/4)	**U13 0000EG (5 3/8 X 3 1/4)	**B601-6 (5 3/8 X 3 1/4)	5507
G6017	AS 929 EG	**B116-52 ZN (5 7/16 X 13/16)	N/A	N/A	**FS-5311-1 (5 3/8 X 13/16)	**U10 0000EG (5 3/8 X 13/16)	N/A	N/A
G6018	AS 678 EG	**B588 ZN (5 7/16 X 4 7/8)	N/A	N/A	**FS-5311-6 (5 3/8 X 4 7/8)	**U14 0000EG (5 3/8 X 4 7/8)	**B-601-7 (4 7/8 X 5 3/8)	5509

"U" SUPPORT >>

G-STRUT®	ANVIL	B-LINE/EATON	ELITE	ERICO/NVENT	FLEX-STRUT	FLORIDA/ZSI	HAYDON	PHD
G6021	AS 687 EG 7 1/4	N/A	N/A	N/A	FS-5307	N/A	B-602-1	5530
G6022	**AS 687 EG 8 1/2 (5 3/8)	N/A	N/A	N/A	N/A	N/A	**B-602-2 (8 1/2 X 5 3/8)	5531
G6023	AS 687 EG 10 3/8	N/A	N/A	N/A	FS-5310	N/A	B-602-3	5532

KNEE BRACE >>

G-STRUT®	ANVIL	B-LINE/EATON	ELITE	ERICO/NVENT	FLEX-STRUT	FLORIDA/ZSI	HAYDON	PHD
G603	AS 924 EG 12	B261-18 ZN	N/A	L441800EG	FS-5472-18	L83 0000EG	N/A	5412
G6031	**AS 924 EG 16 5/8	**B261-16 ZN (16 5/8)	N/A	L441600EG	FS-5472-16	L82 0000EG	**B-603-1 (16 5/8)	5411
G6032	N/A	B261-12 ZN	N/A	L441200EG	FS-5472-12	L81 0000EG	**B-603-2	5410

3-HOLE SPLICE CHANNEL >>

G-STRUT®	ANVIL	B-LINE/EATON	ELITE	ERICO/NVENT	FLEX-STRUT	FLORIDA/ZSI	HAYDON	PHD
G6041	AS 645 EG	B171 ZN	N/A	F200000EG	FS-5343	U31 0000EG	B-604	5710

PIPE AXLE SUPPORT >>

G-STRUT®	ANVIL	B-LINE/EATON	ELITE	ERICO/NVENT	FLEX-STRUT	FLORIDA/ZSI	HAYDON	PHD
G605L	N/A	N/A	N/A	N/A	N/A	N/A	N/A	N/A
G605R	N/A	N/A	N/A	N/A	N/A	N/A	N/A	N/A

4-HOLE SPLICE CHANNEL >>

G-STRUT®	ANVIL	B-LINE/EATON	ELITE	ERICO/NVENT	FLEX-STRUT	FLORIDA/ZSI	HAYDON	PHD
G6061	AS 646 EG	B172 ZN	N/A	**U24A0000EG (7 1/4 X 15/8)	N/A	**U32 0000EG (7 1/4 X 15/8)	**B-605 (7 1/4 X 15/8)	N/A
G6062	AS 616 EG	B167 ZN	N/A	**U24C0000EG (7 1/4 X 13/16)	N/A	**U33 0000EG (7 1/4 X 13/16)	**B-608 (7 1/4 X 13/16)	N/A
G6063	N/A	N/A	N/A	N/A	N/A	N/A	N/A	N/A

2-HOLE SPLICE CHANNEL >>

G-STRUT®	ANVIL	B-LINE/EATON	ELITE	ERICO/NVENT	FLEX-STRUT	FLORIDA/ZSI	HAYDON	PHD
G607	AS 644 EG	B170 ZN	N/A	N/A	FS-5342	U30 0000EG	B-607	5720

2-HOLE 45° TUBING BRACE >>

G-STRUT®	ANVIL	B-LINE/EATON	ELITE	ERICO/NVENT	FLEX-STRUT	FLORIDA/ZSI	HAYDON	PHD
G6081	N/A	B631-18 ZN	N/A	N/A	FS-5460-18	N/A	N/A	5420
G6082	N/A	B631-24 ZN	N/A	N/A	FS-5460-24	N/A	N/A	5421
G6083	N/A	B631-30 ZN	N/A	N/A	FS-5460-30	N/A	N/A	5422
G6084	N/A	B631-36 ZN	N/A	N/A	FS-5460-36	N/A	N/A	5423
G6085	N/A	B631-42 ZN	N/A	N/A	N/A	N/A	N/A	5424
G6086	N/A	B631-48 ZN	N/A	N/A	N/A	N/A	N/A	5425
G6087	N/A	B631-54 ZN	N/A	N/A	N/A	N/A	N/A	5426
G6088	N/A	B631-60 ZN	N/A	N/A	N/A	N/A	N/A	5427

2-HOLE STRAIGHT TUBING BRACE >>

G-STRUT®	ANVIL	B-LINE/EATON	ELITE	ERICO/NVENT	FLEX-STRUT	FLORIDA/ZSI	HAYDON	PHD
GTB6081	N/A	N/A	N/A	N/A	N/A	N/A	N/A	5430
GTB6082	N/A	N/A	N/A	N/A	N/A	N/A	N/A	5431
GTB6083	N/A	N/A	N/A	N/A	N/A	N/A	N/A	5432
GTB6084	N/A	N/A	N/A	N/A	FS-5461-36	N/A	N/A	5433
GTB6085	N/A	N/A	N/A	N/A	FS-5461-42	N/A	N/A	5434
GTB6086	N/A	N/A	N/A	N/A	FS-5461-48	N/A	N/A	5435
GTB6087	N/A	N/A	N/A	N/A	FS-5461-54	N/A	N/A	5436
GTB6088	N/A	N/A	N/A	N/A	FS-5461-60	N/A	N/A	5437
GTB6089	N/A	N/A	N/A	N/A	N/A	N/A	N/A	5438
GTB60810	N/A	N/A	N/A	N/A	N/A	N/A	N/A	5439
GTB60811	N/A	N/A	N/A	N/A	N/A	N/A	N/A	5440

5-HOLE "U" SUPPORT >>

G-STRUT®	ANVIL	B-LINE/EATON	ELITE	ERICO/NVENT	FLEX-STRUT	FLORIDA/ZSI	HAYDON	PHD
G6091	N/A	N/A	N/A	N/A	N/A	N/A	N/A	N/A
G6092	N/A	**B107 ZN (5 7/16 X 1 5/8)	N/A	N/A	FS-5312	U11 0000EG	N/A	N/A
G6094	N/A	N/A	N/A	N/A	N/A	N/A	N/A	N/A
G6095	N/A	N/A	N/A	N/A	N/A	N/A	N/A	N/A

NOTE: **ACCESSORIES - Measurements may not be an exact match.

STRUT INDUSTRY PRODUCT CODES »

ACCESSORIES

“U” SUPPORT »

G-STRUT®	POWER/ATKORE	PUPCO	SASCO	SUPERSTRUT/ ABB	UNISTRUT/ATKORE	VERSABAR/ZSI	WESANCO/ZSI
G6011	N/A	N/A	N/A	N/A	N/A	**VF-6402-10 (5 3/8 X 1)	N/A
G6012	N/A	N/A	N/A	N/A	**P3047 (5 3/8 X 13/8)	**VF-6402-6 (5 3/8 X 13/8)	N/A
G6013	N/A	N/A	N/A	N/A	**P1047 (5 3/8 X 15/8)	N/A	N/A
G6014	N/A	**UF-AS2648 EG (5 3/8 X 2 7/16)	N/A	N/A	**P5547 (5 3/8 X 2 7/16)	N/A	N/A
G6015	N/A	N/A	N/A	N/A	N/A	**VF-6402-3 (5 3/8 X 2 1/2)	N/A
G6016	N/A	**UF-AS679 EG (5 3/8 X 3 1/4)	N/A	N/A	**P1737 (5 3/8 X 3 1/4)	**VF-6317 (5 3/8 X 3 1/4)	N/A
G6017	N/A	**UF-AS929 EG (5 3/8 X 13/16)	N/A	N/A	**P4047 (5 3/8 X 13/16)	**VF-6402-4 (5 3/8 X 13/16)	N/A
G6018	N/A	**UF-AS678 EG (5 3/8 X 4 7/8)	N/A	N/A	**P2473 (5 3/8 X 4 7/8)	**VF-6319 (4 7/8 X 3 1/4)	N/A

“U” SUPPORT »

G-STRUT®	POWER/ATKORE	PUPCO	SASCO	SUPERSTRUT/ ABB	UNISTRUT/ATKORE	VERSABAR/ZSI	WESANCO/ZSI
G6021	PS 687 A	N/A	N/A	N/A	P1048	N/A	W-5307
G6022	N/A	N/A	N/A	N/A	P1049	N/A	N/A
G6023	PS 687 C	N/A	N/A	N/A	P1050	N/A	W-5310

KNEE BRACE »

G-STRUT®	POWER/ATKORE	PUPCO	SASCO	SUPERSTRUT/ ABB	UNISTRUT/ATKORE	VERSABAR/ZSI	WESANCO/ZSI
G603	PS 926 18	N/A	S800-18HG	N/A	N/A	VF-3250-18"	W-5474
G6031	N/A	N/A	N/A	N/A	N/A	N/A	N/A
G6032	PS 926 12	N/A	S800-12HG	N/A	N/A	VF-3250-12"	W-5472

3-HOLE SPLICE CHANNEL »

G-STRUT®	POWER/ATKORE	PUPCO	SASCO	SUPERSTRUT/ ABB	UNISTRUT/ATKORE	VERSABAR/ZSI	WESANCO/ZSI
G6041	PS 645?	UF-AS629 EG	S412U-HG	N/A	P1376A	VF-2320	W-5343

PIPE AXLE SUPPORT »

G-STRUT®	POWER/ATKORE	PUPCO	SASCO	SUPERSTRUT/ ABB	UNISTRUT/ATKORE	VERSABAR/ZSI	WESANCO/ZSI
G605L	PS-825-L	N/A	N/A	N/A	N/A	N/A	N/A
G605R	PS-825-R	N/A	N/A	N/A	N/A	N/A	N/A

4-HOLE SPLICE CHANNEL »

G-STRUT®	POWER/ATKORE	PUPCO	SASCO	SUPERSTRUT/ ABB	UNISTRUT/ATKORE	VERSABAR/ZSI	WESANCO/ZSI
G6061	N/A	N/A	**S414U-HG (7 1/4 X 1 5/8)	**A-208 EG (7 1/4 X 1 5/8)	P1377	N/A	N/A
G6062	N/A	N/A	N/A	N/A	P4377	N/A	N/A
G6063	N/A	N/A	N/A	N/A	N/A	-	N/A

2-HOLE SPLICE CHANNEL »

G-STRUT®	POWER/ATKORE	PUPCO	SASCO	SUPERSTRUT/ ABB	UNISTRUT/ATKORE	VERSABAR/ZSI	WESANCO/ZSI
G607	PS 644	UF-AS631 EG	S409U-HG	N/A	P4376	VF-5204-4	W-5342

2-HOLE 45° TUBING BRACE »

G-STRUT®	POWER/ATKORE	PUPCO	SASCO	SUPERSTRUT/ ABB	UNISTRUT/ATKORE	VERSABAR/ZSI	WESANCO/ZSI
G6081	PS-812-18	N/A	N/A	N/A	P2458-18	N/A	N/A
G6082	PS-812-24	N/A	N/A	N/A	P2458-24	N/A	N/A
G6083	PS-812-30	N/A	N/A	N/A	P2458-30	N/A	N/A
G6084	PS-812-36	N/A	N/A	N/A	P2458-36	N/A	N/A
G6085	N/A	N/A	N/A	N/A	N/A	N/A	N/A
G6086	N/A	N/A	N/A	N/A	N/A	N/A	N/A
G6087	N/A	N/A	N/A	N/A	N/A	N/A	N/A
G6088	N/A	N/A	N/A	N/A	N/A	N/A	N/A

2-HOLE STRAIGHT TUBING BRACE »

G-STRUT®	POWER/ATKORE	PUPCO	SASCO	SUPERSTRUT/ ABB	UNISTRUT/ATKORE	VERSABAR/ZSI	WESANCO/ZSI
GTB6081	N/A	N/A	N/A	N/A	N/A	N/A	N/A
GTB6082	N/A	N/A	N/A	N/A	N/A	N/A	N/A
GTB6083	N/A	N/A	N/A	N/A	N/A	N/A	N/A
GTB6084	N/A	N/A	N/A	N/A	P2459-36	N/A	N/A
GTB6085	N/A	N/A	N/A	N/A	P2459-42	N/A	N/A
GTB6086	N/A	N/A	N/A	N/A	P2459-48	N/A	N/A
GTB6087	N/A	N/A	N/A	N/A	P2459-54	N/A	N/A
GTB6088	N/A	N/A	N/A	N/A	P2459-60	N/A	N/A
GTB6089	N/A	N/A	N/A	N/A	P2459-72	N/A	N/A
GTB60810	N/A	N/A	N/A	N/A	P2459-84	N/A	N/A
GTB60811	N/A	N/A	N/A	N/A	P2459-96	N/A	N/A

5-HOLE “U” SUPPORT »

G-STRUT®	POWER/ATKORE	PUPCO	SASCO	SUPERSTRUT/ ABB	UNISTRUT/ATKORE	VERSABAR/ZSI	WESANCO/ZSI
G6091	N/A	N/A	S424U-HG	N/A	N/A	N/A	N/A
G6092	PS 613	UF-AS613 EG	S421U-HG	A-210 EG	P1047	VF-6402	W-5312
G6094	N/A	N/A	S420U-HG	N/A	N/A	N/A	N/A
G6095	N/A	N/A	S419U-HG	N/A	N/A	N/A	N/A

NOTE: **ACCESSORIES - Measurements may not be an exact match.

STRUT INDUSTRY PRODUCT CODES >>

ACCESSORIES

DOUBLE 1 5/8" CHANNEL "U" SUPPORT >>

G-STRUT®	ANVIL	B-LINE/EATON	ELITE	ERICO/NVENT	FLEX-STRUT	FLORIDA/ZSI	HAYDON	PHD
G610	N/A	**B266 (71/32 X 15/8)	N/A	N/A	FS-5317	U16 0000EG	B-610	5521

VERTICAL 1 5/8" "U" SUPPORT CHANNEL >>

G-STRUT®	ANVIL	B-LINE/EATON	ELITE	ERICO/NVENT	FLEX-STRUT	FLORIDA/ZSI	HAYDON	PHD
G611	N/A	B349 ZN	N/A	N/A	**FS-6604 (3 3/4 X 15/8)	**U40 0000EG (3 3/4 X 15/8)	**B-611 (3 3/4 X 15/8)	5840

TROLLEY BEAM JOINT SUPPORT >>

G-STRUT®	ANVIL	B-LINE/EATON	ELITE	ERICO/NVENT	FLEX-STRUT	FLORIDA/ZSI	HAYDON	PHD
G6111	**AS 2528 EG (3)	N/A	N/A	N/A	**FS-6603 (3 1/2 X 3 3/4)	**U41 0000EG (3 3/4 X 3 1/2)	**B-612 (3 3/4 X 3 1/2)	5845

INTERSECTING 1 5/8" CHANNEL "U" SUPPORT >>

G-STRUT®	ANVIL	B-LINE/EATON	ELITE	ERICO/NVENT	FLEX-STRUT	FLORIDA/ZSI	HAYDON	PHD
G613	AS 2528-1 EG	N/A	N/A	N/A	N/A	N/A	N/A	N/A

2-HOLE CLEVIS >>

G-STRUT®	ANVIL	B-LINE/EATON	ELITE	ERICO/NVENT	FLEX-STRUT	FLORIDA/ZSI	HAYDON	PHD
G6221	N/A	B408-1 ZN	N/A	N/A	N/A	N/A	N/A	5750
G6222	N/A	B408-2 ZN	N/A	N/A	N/A	N/A	N/A	5751
G6223	N/A	B408-3 ZN	N/A	N/A	N/A	N/A	N/A	5752
G6224	AS 993 EG 4	B358-4 ZN	N/A	N/A	FS-5324-4	U60 0400 EG	A-615-4"	5760
G6225	AS 993 EG 5	B358-5 ZN	N/A	N/A	FS-5324-5	U60 0500 EG	A-615-5"	5761
G6226	AS 993 EG 6	B358-6 ZN	N/A	N/A	FS-5324-6	U60 0600 EG	A-615-6"	5762
G6227	AS 993 EG 7	B358-7 ZN	N/A	N/A	FS-5324-7	U60 0700 EG	A-615-7"	5763
G6228	AS 993 EG 8	B358-8 ZN	N/A	N/A	FS-5324-8	U60 0800 EG	A-615-8"	5764

3-HOLE CLEVIS >>

G-STRUT®	ANVIL	B-LINE/EATON	ELITE	ERICO/NVENT	FLEX-STRUT	FLORIDA/ZSI	HAYDON	PHD
G623	N/A	B595 ZN	N/A	N/A	N/A	N/A	N/A	5770

3-HOLE SUSPENSION CLEVIS >>

G-STRUT®	ANVIL	B-LINE/EATON	ELITE	ERICO/NVENT	FLEX-STRUT	FLORIDA/ZSI	HAYDON	PHD
G624	N/A	B405 ZN	N/A	N/A	N/A	N/A	N/A	5775

4-HOLE SUSPENSION CLEVIS >>

G-STRUT®	ANVIL	B-LINE/EATON	ELITE	ERICO/NVENT	FLEX-STRUT	FLORIDA/ZSI	HAYDON	PHD
G625	N/A	N/A	N/A	N/A	N/A	N/A	N/A	N/A

3-HOLE "U" SUPPORT >>

G-STRUT®	ANVIL	B-LINE/EATON	ELITE	ERICO/NVENT	FLEX-STRUT	FLORIDA/ZSI	HAYDON	PHD
G617	N/A	**B412 ZN (5 7/16 X 17/8)	**9SSUP537G (5 3/8 X 15/8)	**U10A0000EG (5 3/8 X 15/8)	N/A	N/A	N/A	5513

5-HOLE "U" SUPPORT >>

G-STRUT®	ANVIL	B-LINE/EATON	ELITE	ERICO/NVENT	FLEX-STRUT	FLORIDA/ZSI	HAYDON	PHD
G618	N/A	B594	N/A	N/A	N/A	N/A	N/A	N/A

CLOSURE STRIPS >>

G-STRUT®	ANVIL	B-LINE/EATON	ELITE	ERICO/NVENT	FLEX-STRUT	FLORIDA/ZSI	HAYDON	PHD
GCLPL	N/A	B217P	N/A	CL100000PS	N/A	N/A	N/A	N/A
GCLPG	AS 6151 PL	B217-20GALV	N/A	CL100000EG	FS-6500-GALV	FS 6518 CS-10 GAL	C-900 PG	4500 PG

SINGLE POST BASE - DIAGONAL (7 HOLE) >>

G-STRUT®	ANVIL	B-LINE/EATON	ELITE	ERICO/NVENT	FLEX-STRUT	FLORIDA/ZSI	HAYDON	PHD
G619	AS 3013 EG	B279 ZN	9SPB07162G	P100000EG	FS-5813	P12 0000EG	B-619	6005

DOUBLE POST BASE - DIAGONAL (8 HOLE) >>

G-STRUT®	ANVIL	B-LINE/EATON	ELITE	ERICO/NVENT	FLEX-STRUT	FLORIDA/ZSI	HAYDON	PHD
G619A	AS 3029 EG	B281AZN	N/A	N/A	FS-5815	P18 0000EG	B-619A	6035

SINGLE FLUSHED POST BASE (5 HOLE) >>

G-STRUT®	ANVIL	B-LINE/EATON	ELITE	ERICO/NVENT	FLEX-STRUT	FLORIDA/ZSI	HAYDON	PHD
G619FL	AS 3013 FL	B279FL ZN	N/A	N/A	N/A	N/A	B-619-FL	6015

DOUBLE FLUSHED POST BASE (6-HOLE) >>

G-STRUT®	ANVIL	B-LINE/EATON	ELITE	ERICO/NVENT	FLEX-STRUT	FLORIDA/ZSI	HAYDON	PHD
G619AFL	N/A	B281AFL ZN	N/A	N/A	N/A	N/A	**B-619A-FL (8 X 3 1/8 X 15/8)	**6045 (8 X 1 5/8 X 3 1/8)

NOTE: **ACCESSORIES - Measurements may not be an exact match.

STRUT INDUSTRY PRODUCT CODES »

ACCESSORIES

DOUBLE 1 5/8" CHANNEL "U" SUPPORT »

G-STRUT™	POWER/ATKORE	PUPCO	SASCO	SUPERSTRUT/ ABB	UNISTRUT/ATKORE	VERSABAR/ZSI	WESANCO/ZSI
G610	PS 721	UF-AS721 EG	N/A	A-212 EG	P1043A	N/A	W-5317

VERTICAL 1 5/8" CHANNEL "U" SUPPORT »

G-STRUT™	POWER/ATKORE	PUPCO	SASCO	SUPERSTRUT/ ABB	UNISTRUT/ATKORE	VERSABAR/ZSI	WESANCO/ZSI
G611	**PS 2528 (3 3/4 X 15/8)	**UF-AS2528 EG (3 3/4 X 15/8)	N/A	**TS-272 EG (3 3/4 X 15/8)	**P1834 (3 3/4 X 15/8)	**VF-7101 (3 3/4 X 15/8)	**W-6604 (3 3/4 X 15/8)

TROLLEY BEAM JOINT SUPPORT »

G-STRUT™	POWER/ATKORE	PUPCO	SASCO	SUPERSTRUT/ ABB	UNISTRUT/ATKORE	VERSABAR/ZSI	WESANCO/ZSI
G6111	**PS 2528 1 (3 3/4 X 3 1/2)	**UF-AS2528-1 EG (3 3/4 X 3 1/2)	N/A	**TS-273 EG (3 3/4 X 3 1/2)	**P1834A (3 3/4 X 3 1/2)	**VF-7101A (3 3/4 X 3 1/2)	**W-6603 (3 3/4 X 3 1/2)

INTERSECTING 1 5/8" CHANNEL "U" SUPPORT »

G-STRUT™	POWER/ATKORE	PUPCO	SASCO	SUPERSTRUT/ ABB	UNISTRUT/ATKORE	VERSABAR/ZSI	WESANCO/ZSI
G613	N/A	N/A	N/A	N/A	N/A	N/A	N/A

2-HOLE CLEVIS »

G-STRUT™	POWER/ATKORE	PUPCO	SASCO	SUPERSTRUT/ ABB	UNISTRUT/ATKORE	VERSABAR/ZSI	WESANCO/ZSI
G6221	N/A	N/A	N/A	N/A	N/A	N/A	N/A
G6222	N/A	N/A	N/A	N/A	N/A	N/A	N/A
G6223	N/A	N/A	N/A	N/A	N/A	N/A	N/A
G6224	PS 993 4"	UF U60 0400EG	S402U-HG	N/A	P1363A	VF-5203A	W-5324
G6225	PS 993 5"	UF U60 0500EG	S403U-HG	N/A	P1363B	VF-5203B	W-5325
G6226	PS 993 6"	UF U60 0600EG	S404U-HG	N/A	P1363C	VF-5203C	W-5326
G6227	PS 993 7"	UF U60 0700EG	S405U-HG	N/A	P1363D	VF-5203D	W-5327
G6228	PS 993 8"	UF U60 0800EG	S406U-HG	N/A	P1363E	VF-5203E	N/A

3-HOLE CLEVIS »

G-STRUT™	POWER/ATKORE	PUPCO	SASCO	SUPERSTRUT/ ABB	UNISTRUT/ATKORE	VERSABAR/ZSI	WESANCO/ZSI
G623	N/A	N/A	N/A	N/A	N/A	**VF-5401A (3 9/32 X 1 7/8)	N/A

3-HOLE SUSPENSION CLEVIS »

G-STRUT™	POWER/ATKORE	PUPCO	SASCO	SUPERSTRUT/ ABB	UNISTRUT/ATKORE	VERSABAR/ZSI	WESANCO/ZSI
G624	N/A	N/A	N/A	N/A	N/A	N/A	N/A

4-HOLE SUSPENSION CLEVIS »

G-STRUT™	POWER/ATKORE	PUPCO	SASCO	SUPERSTRUT/ ABB	UNISTRUT/ATKORE	VERSABAR/ZSI	WESANCO/ZSI
G625	N/A	N/A	N/A	N/A	N/A	N/A	N/A

3-HOLE "U" SUPPORT »

G-STRUT™	POWER/ATKORE	PUPCO	SASCO	SUPERSTRUT/ ABB	UNISTRUT/ATKORE	VERSABAR/ZSI	WESANCO/ZSI
G617	PS 2119	N/A	N/A	N/A	P1383	VF-2206	N/A

5-HOLE "U" SUPPORT »

G-STRUT™	POWER/ATKORE	PUPCO	SASCO	SUPERSTRUT/ ABB	UNISTRUT/ATKORE	VERSABAR/ZSI	WESANCO/ZSI
G618	N/A	N/A	N/A	N/A	N/A	N/A	N/A

CLOSURE STRIPS »

G-STRUT™	POWER/ATKORE	PUPCO	SASCO	SUPERSTRUT/ ABB	UNISTRUT/ATKORE	VERSABAR/ZSI	WESANCO/ZSI
GCLPL	PS 6151	N/A	-	N/A	N/A	N/A	W-6547
GCLPG	N/A	N/A	S158CS-G	SPAB-844-PC	P3184 EA	VA-9	W-6565

SINGLE POST BASE - DIAGONAL (7 HOLE) »

G-STRUT™	POWER/ATKORE	PUPCO	SASCO	SUPERSTRUT/ ABB	UNISTRUT/ATKORE	VERSABAR/ZSI	WESANCO/ZSI
G619	PS 3013	PB-AS3013 PG	N/A	AP-231 EG	P2072	VF-9601A	W-5813

DOUBLE POST BASE - DIAGONAL (8 HOLE) »

G-STRUT™	POWER/ATKORE	PUPCO	SASCO	SUPERSTRUT/ ABB	UNISTRUT/ATKORE	VERSABAR/ZSI	WESANCO/ZSI
G619A	PS 3029	PB-AS3029 PG	N/A	AP-234 EG	P2073	VF-9602A	W-5815

SINGLE FLUSHED POST BASE (5 HOLE) »

G-STRUT™	POWER/ATKORE	PUPCO	SASCO	SUPERSTRUT/ ABB	UNISTRUT/ATKORE	VERSABAR/ZSI	WESANCO/ZSI
G619FL	N/A	N/A	N/A	AP-231-FL EG	N/A	VF-9601A-FL	N/A

DOUBLE FLUSHED POST BASE (6-HOLE) »

G-STRUT™	POWER/ATKORE	PUPCO	SASCO	SUPERSTRUT/ ABB	UNISTRUT/ATKORE	VERSABAR/ZSI	WESANCO/ZSI
G619AFL	N/A	N/A	N/A	AP-234-FL EG	N/A	**VF-9602A-FL (8 X 1 5/8 X 3 1/8)	N/A

NOTE: **ACCESSORIES - Measurements may not be an exact match.

STRUT INDUSTRY PRODUCT CODES >>

ACCESSORIES

DOUBLE SQUARED POST BASE (8 HOLE) >>

G-STRUT®	ANVIL	B-LINE/EATON	ELITE	ERICO/NVENT	FLEX-STRUT	FLORIDA/ZSI	HAYDON	PHD
G619ASQ	AS 3029 EG	B281ASQ ZN	N/A	N/A	N/A	N/A	B-619A-SQ	6040

SINGLE SQUARED POST BASE (7 HOLE) >>

G-STRUT®	ANVIL	B-LINE/EATON	ELITE	ERICO/NVENT	FLEX-STRUT	FLORIDA/ZSI	HAYDON	PHD
G619SQ	AS 3013SQ EG	B279SQ ZN	N/A	N/A	FS-5813	P22 0000EG	B-619-SQ	6010

SINGLE POST BASE DIAGONAL >>

G-STRUT®	ANVIL	B-LINE/EATON	ELITE	ERICO/NVENT	FLEX-STRUT	FLORIDA/ZSI	HAYDON	PHD
G620	AS 3033 EG	B280 ZN	9SPB10350G	P110000EG	FS-5814	P13 0000EG	B-620	6020

DOUBLE POST BASE DIAGONAL >>

G-STRUT®	ANVIL	B-LINE/EATON	ELITE	ERICO/NVENT	FLEX-STRUT	FLORIDA/ZSI	HAYDON	PHD
G620A	AS 3064 SQ EG	B281 ZN	N/A	P130000EG	FS-5816	P19 0000EG	B-620-A	6050
G620FL1	N/A	N/A	N/A	N/A	N/A	N/A	N/A	N/A

DOUBLE FLUSHED POST BASE >>

G-STRUT®	ANVIL	B-LINE/EATON	ELITE	ERICO/NVENT	FLEX-STRUT	FLORIDA/ZSI	HAYDON	PHD
G620AFL	AS 2064 EG	B281FL ZN	N/A	N/A	N/A	N/A	N/A	N/A

SINGLE FLUSHED POST BASE >>

G-STRUT®	ANVIL	B-LINE/EATON	ELITE	ERICO/NVENT	FLEX-STRUT	FLORIDA/ZSI	HAYDON	PHD
G620FL	N/A	**B280FL ZN (8 X 3 1/8 X 3 1/2)	N/A	N/A	N/A	**P11 (6 X 4 X 3 1/2)	N/A	**6030 (8 X 3 1/8 X 3 1/2)

DOUBLE SQUARED POST BASE >>

G-STRUT®	ANVIL	B-LINE/EATON	ELITE	ERICO/NVENT	FLEX-STRUT	FLORIDA/ZSI	HAYDON	PHD
G620ASQ	N/A	B281SQ ZN	N/A	N/A	FS-5816SQ	P20 0000EG	B-620-A-SQ	**6060 (6 X 4 1/2 X 3 1/2)

SINGLE SQUARED POST BASE >>

G-STRUT®	ANVIL	B-LINE/EATON	ELITE	ERICO/NVENT	FLEX-STRUT	FLORIDA/ZSI	HAYDON	PHD
G620SQ	N/A	B280SQ ZN	N/A	N/A	N/A	P14 0000EG	B-620-SQ	6025

BEAM CLAMP PIERCED >>

G-STRUT®	ANVIL	B-LINE/EATON	ELITE	ERICO/NVENT	FLEX-STRUT	FLORIDA/ZSI	HAYDON	PHD
G401	N/A	B314	N/A	N/A	FS-5702	BC40 0000EG	C-401-1	N/A

U-BOLT BEAM CLAMP >>

G-STRUT®	ANVIL	B-LINE/EATON	ELITE	ERICO/NVENT	FLEX-STRUT	FLORIDA/ZSI	HAYDON	PHD
G402	AS 2651 T1 EG	B441-22 ZN	9SBC337G	BC17A000EG	FS-5709	**BC61 0000EG (3 1/4)	C-402-132	7070
G4021	AS 2651 T2 EG	B441-22A ZN	9SBC500G	BC17D000EG	FS-5708	N/A	C-402-122	7075
G4028	N/A	N/A	N/A	N/A	N/A	N/A	N/A	N/A

SINGLE BOLT SLOT HOLD BEAM CLAMP >>

G-STRUT®	ANVIL	B-LINE/EATON	ELITE	ERICO/NVENT	FLEX-STRUT	FLORIDA/ZSI	HAYDON	PHD
G403	N/A	B355 ZN	N/A	N/A	FS-5713 (1 5/8) ?	N/A	N/A	N/A

BUTTRESSED BEAM CLAMP >>

G-STRUT®	ANVIL	B-LINE/EATON	ELITE	ERICO/NVENT	FLEX-STRUT	FLORIDA/ZSI	HAYDON	PHD
G4053/8	-	N/A	-	-	-	-	-	-
G4051/2	-	-	N/A	N/A	FS5718-1/2	N/A	N/A	-

FLANGE CONTACT BEAM CLAMP >>

G-STRUT®	ANVIL	B-LINE/EATON	ELITE	ERICO/NVENT	FLEX-STRUT	FLORIDA/ZSI	HAYDON	PHD
G406	AS 685 EG	B211 ZN	N/A	N/A	FS-5712	N/A	N/A	7030
G407	N/A	B427 (2 X 1 1/2)	N/A	N/A	**FS-5714 (2 X 1 1/2)	N/A	N/A	7020
G4071	AS 684 EG	N/A	N/A	N/A	N/A	N/A	N/A	7025

FLANGE CONTACT END INSERT CLAMP - PARALLEL >>

G-STRUT®	ANVIL	B-LINE/EATON	ELITE	ERICO/NVENT	FLEX-STRUT	FLORIDA/ZSI	HAYDON	PHD
G4081/4	N/A	B212-3/8 ZN	N/A	N/A	**FS5715 (1 1/4 X 2)	N/A	N/A	7011
G4083/8	N/A	N/A	N/A	N/A	**FS5716 (1 1/4 X 1 1/8)	N/A	N/A	7012
G4082	N/A	B212-1/4	N/A	N/A	**FS5717 (1 1/4 X 2 7/8)	N/A	N/A	N/A

BEAM CLAMP >>

G-STRUT®	ANVIL	B-LINE/EATON	ELITE	ERICO/NVENT	FLEX-STRUT	FLORIDA/ZSI	HAYDON	PHD
G4101	N/A	N/A	N/A	BC130025EG	N/A	N/A	N/A	N/A
G4102	AS 858 EG 1/4" X 20"	B303 ZN	N/A	N/A	FS-5721	N/A	C-410-1	7005
G4103	AS 858 EG 5/16" X 18"	B304 ZN	N/A	BC130031EG	FS-5722	N/A	C-410-2	N/A
G4104	AS 858 EG 3/8" X 16"	B305 ZN	N/A	BC130037EG	FS-5723	BC160037EG	C-410-3	7006
G4105	AS 858 EG 3/8" X 16"	B306 ZN	PSB162G	N/A	FS-5724	N/A	C-410-4	7007
G4106	AS 858 EG 1/2" X 13"	B307 ZN	N/A	BC130050EG	FS-5725	BC160050EG	C-410-5	N/A
G4107	AS 858 EG 1/2" X 13"	B308 ZN	N/A	N/A	FS-5726	N/A	C-410-6	N/A
G4108	AS 858 EG 5/8" X 11"	B309 ZN	N/A	BC130062EG	FS-5727	BC160062EG	C-410-7	N/A
G4109	AS 858 EG 5/8" X 11"	N/A	N/A	N/A	FS-5728	N/A	C-410-8	N/A
G4111	AS 865 EG 3/8" X 16"	B321-1 ZN	N/A	2800037EG	FS-5734	N/A	C-411-2	N/A
G4112	AS 865 EG 1/2" X 13"	B321-2 ZN	N/A	2800050EG	FS-5736	BC150037EG	C-411-3	N/A
G4113	N/A	B321-3 ZN	N/A	2800062EG	N/A	BC150050EG	N/A	N/A

NOTE: **ACCESSORIES - Measurements may not be an exact match.

STRUT INDUSTRY PRODUCT CODES »

ACCESSORIES

DOUBLE SQUARED POST BASE (8 HOLE) »

G-STRUT®	POWER/ATKORE	PUPCO	SASCO	SUPERSTRUT/ ABB	UNISTRUT/ATKORE	VERSABAR/ZSI	WESANCO/ZSI
G619ASQ	N/A	N/A	N/A	AP-232-SQ EG	P2073 SQ	VF-9601A-SQ	N/A

SINGLE SQUARED POST BASE (7 HOLE) »

G-STRUT®	POWER/ATKORE	PUPCO	SASCO	SUPERSTRUT/ ABB	UNISTRUT/ATKORE	VERSABAR/ZSI	WESANCO/ZSI
G619SQ	PS 3013 SQ	N/A	N/A	AP-231-SQ EG	P2072 SQ	VF-9602A-SQ	N/A

SINGLE POST BASE DIAGONAL »

G-STRUT®	POWER/ATKORE	PUPCO	SASCO	SUPERSTRUT/ ABB	UNISTRUT/ATKORE	VERSABAR/ZSI	WESANCO/ZSI
G620	PS 3033	PB-AS3033 PG	N/A	AP-232 EG	P2072A	VF-9601	W-5814

DOUBLE POST BASE DIAGONAL »

G-STRUT®	POWER/ATKORE	PUPCO	SASCO	SUPERSTRUT/ ABB	UNISTRUT/ATKORE	VERSABAR/ZSI	WESANCO/ZSI
G620A	PS 3064	PB-AS3064 PG	N/A	AP-235 EG	P2073A	VF-9602	W-5816
G620FL1	N/A	N/A	N/A	N/A	N/A	N/A	N/A

DOUBLE FLUSHED POST BASE »

G-STRUT®	POWER/ATKORE	PUPCO	SASCO	SUPERSTRUT/ ABB	UNISTRUT/ATKORE	VERSABAR/ZSI	WESANCO/ZSI
G620AFL	PS-2064	N/A	N/A	AP-235-FL EG	N/A	N/A	N/A

SINGLE FLUSHED POST BASE »

G-STRUT®	POWER/ATKORE	PUPCO	SASCO	SUPERSTRUT/ ABB	UNISTRUT/ATKORE	VERSABAR/ZSI	WESANCO/ZSI
G620FL	PS 3025 FL	N/A	N/A	AP-232-FL EG	P2941	**VF-9601-FL (8 X 31/8 X 31/2)	N/A

DOUBLE SQUARED POST BASE »

G-STRUT®	POWER/ATKORE	PUPCO	SASCO	SUPERSTRUT/ ABB	UNISTRUT/ATKORE	VERSABAR/ZSI	WESANCO/ZSI
G620ASQ	N/A	PB-AS3064SQ PG	**S500PB-HG (6X6X3 1/2)	AP-235-SQ EG	P2073A SQ	N/A	W-5816SQ

SINGLE SQUARED POST BASE »

G-STRUT®	POWER/ATKORE	PUPCO	SASCO	SUPERSTRUT/ ABB	UNISTRUT/ATKORE	VERSABAR/ZSI	WESANCO/ZSI
G620SQ	PS 3033 SQ	PB-AS3033SQ PG	S501PB-HG	AP-232-SQ EG	P2072A SQ	VF-9601-SQ	W-5814SW

BEAM CLAMP PIERCED »

G-STRUT®	POWER/ATKORE	PUPCO	SASCO	SUPERSTRUT/ ABB	UNISTRUT/ATKORE	VERSABAR/ZSI	WESANCO/ZSI
G401	PS 855	BC-AS855 PG	S938BC-EG	A-597	P1796S	N/A	N/A

U-BOLT BEAM CLAMP »

G-STRUT®	POWER/ATKORE	PUPCO	SASCO	SUPERSTRUT/ ABB	UNISTRUT/ATKORE	VERSABAR/ZSI	WESANCO/ZSI
G402	PS 2651 T1	N/A	N/A	U-501 EG (3 3/16)	P2785	N/A	N/A
G4021	PS 2651 T2	N/A	N/A	U-502 EG (4 13/16)	P2786	N/A	N/A
G4028	N/A	N/A	N/A	N/A	P2787	N/A	N/A

SINGLE BOLT SLOT HOLD BEAM CLAMP »

G-STRUT®	POWER/ATKORE	PUPCO	SASCO	SUPERSTRUT/ ABB	UNISTRUT/ATKORE	VERSABAR/ZSI	WESANCO/ZSI
G403	**PS 686 (1 7/8)	N/A	N/A	N/A	N/A	N/A	N/A

BUTTRESSED BEAM CLAMP »

G-STRUT®	POWER/ATKORE	PUPCO	SASCO	SUPERSTRUT/ ABB	UNISTRUT/ATKORE	VERSABAR/ZSI	WESANCO/ZSI
G4053/8	-	-	-	N/A	N/A	-	N/A
G4051/2	-	-	-	N/A	N/A	-	N/A

FLANGE CONTACT BEAM CLAMP »

G-STRUT®	POWER/ATKORE	PUPCO	SASCO	SUPERSTRUT/ ABB	UNISTRUT/ATKORE	VERSABAR/ZSI	WESANCO/ZSI
G406	PS 685	N/A	N/A	N/A	**P1834 (3 3/4 X 1 5/8)	**VF-7101 (3 3/4 X 1 5/8)	**W-6604 (3 3/4 X 1 5/8)
G407	N/A	N/A	N/A	N/A	**P1834 (3 3/4 X 1 5/8)	**VF-7101 (3 3/4 X 1 5/8)	**W-6604 (3 3/4 X 1 5/8)
G4071	N/A	N/A	N/A	N/A	**P1834 (3 3/4 X 1 5/8)	**VF-7101 (3 3/4 X 1 5/8)	**W-6604 (3 3/4 X 1 5/8)

FLANGE CONTACT END INSERT CLAMP - PARALLEL »

G-STRUT®	POWER/ATKORE	PUPCO	SASCO	SUPERSTRUT/ ABB	UNISTRUT/ATKORE	VERSABAR/ZSI	WESANCO/ZSI
G4081/4	**PS-907 (1 1/4 X 1 3/16)	N/A	N/A	U-514-EG	P1272S	N/A	W-5717
G4083/8	**PS-998 (1 1/4 X 1 3/16)	N/A	N/A	N/A	P1985S	N/A	N/A
G4082	N/A	**BCAS907 PG (1 X 2)	N/A	N/A	N/A	N/A	N/A

BEAM CLAMP »

G-STRUT®	POWER/ATKORE	PUPCO	SASCO	SUPERSTRUT/ ABB	UNISTRUT/ATKORE	VERSABAR/ZSI	WESANCO/ZSI
G4101	N/A	N/A	-	U-560-1/4 EG	N/A	N/A	N/A
G4102	PS 858 1/4	N/A	-	U-560-5/16 EG	P1648S	VX-7011-A	W-5721
G4103	PS 858 5/16	N/A	-	U-560-3/8 EG	P1649S	VX-7012-A	W-5722
G4104	N/A	BC-AS858L-3/8	-	U-560-3/8 EG	P1649AS	VX-7013-A	W-5723
G4105	PS 858 3/8	N/A	-	U-560-1/2 EG	P1650S	VX-7014-A	W-5724
G4106	N/A	BC-AS858L-1/2	-	U-560-1/2 EG	P1650AS	VX-7015-A	W-5725
G4107	PS-858-1/2	N/A	-	U-560-5/8 EG	P1651S	VX-7016-A	W-5726
G4108	N/A	N/A	-	U-560-5/8 EG	P1651AS	VX-7017-A	W-5727
G4109	PS-858-5/8	N/A	-	U-560-3/4 EG	P1652S	VX-7018-A	W-5728
G4111	PS 865 3/8	BC-AS865-3/8	-	U-564-3/8EG	P2401S	VX-7004-A	W-5718
G4112	PS 865 1/2	BC-AS865-1/2	-	U-564-1/2EG	P2403S	VX-7006-A	W-5719
G4113	PS 865 5/8	N/A	-	N/A	P2405S	VX-7008-A	N/A

NOTE: **ACCESSORIES - Measurements may not be an exact match.

STRUT INDUSTRY PRODUCT CODES >>

ACCESSORIES

ROD OR INSULATOR SUPPORT >>

G-STRUT®	ANVIL	B-LINE/EATON	ELITE	ERICO/NVENT	FLEX-STRUT	FLORIDA/ZSI	HAYDON	PHD
G41213/8	AS 85 EG 3/8	B444-3/8 ZN	N/A	N/A	FS-5718-3/8	BC900037EG	C-440-3/8	N/A
G412 21/2	AS 85 EG 1/2	B444-1/2 ZN	N/A	N/A	FS5718-1/2	BC900050EG	C-440-1/2	N/A

WIDE MOUTH BEAM CLAMP >>

G-STRUT®	ANVIL	B-LINE/EATON	ELITE	ERICO/NVENT	FLEX-STRUT	FLORIDA/ZSI	HAYDON	PHD
G4133/8	-	B3033-3/8 ZN	N/A	N/A	FS-5734	BC170037EG	C-430-1	N/A
G41321/2	-	B3033-1/2 ZN	N/A	N/A	FS-5736	BC170050EG	C-430-2	N/A
G41335/8	-	B3033-5/8 ZN	N/A	N/A	N/A	N/A	C-430-3	N/A
G41343/4	-	B3033-3/4 ZN	N/A	N/A	N/A	N/A	C-430-4	N/A
G41357/8	-	N/A	N/A	N/A	N/A	N/A	N/A	N/A

SMALL MOUTH BEAM CLAMP (PLAIN FINISH) >>

G-STRUT®	ANVIL	B-LINE/EATON	ELITE	ERICO/NVENT	FLEX-STRUT	FLORIDA/ZSI	HAYDON	PHD
G41411/4	-	N/A	N/A	N/A	N/A	N/A	N/A	N/A
G41423/8	-	B3034-3/8 ZN	N/A	N/A	FS5710-3/8	N/A	C-420-1	7001
G41431/2	-	B3034-1/2 ZN	N/A	N/A	FS5710-1/2	N/A	C-420-2	7002

SMALL MOUTH REVERSIBLE BEAM CLAMPS >>

G-STRUT®	ANVIL	B-LINE/EATON	ELITE	ERICO/NVENT	FLEX-STRUT	FLORIDA/ZSI	HAYDON	PHD
G415	-	N/A	N/A	N/A	N/A	N/A	N/A	N/A

STAIR SUPPORT >>

G-STRUT®	ANVIL	B-LINE/EATON	ELITE	ERICO/NVENT	FLEX-STRUT	FLORIDA/ZSI	HAYDON	PHD
GM601	AS 2422 37 1/2 HG	B562 ZN	N/A	N/A	N/A	N/A	M-601	5861
GM602	AS 2421 45 HG	B560 ZN	N/A	N/A	N/A	N/A	M-602	5860

LADDER RUNG >>

G-STRUT®	ANVIL	B-LINE/EATON	ELITE	ERICO/NVENT	FLEX-STRUT	FLORIDA/ZSI	HAYDON	PHD
GM6101	AS 2401 HG	B411-12 ZN	N/A	N/A	N/A	N/A	M-610-1	5825
GM6102	AS 2402 HG	B411-15 ZN	N/A	N/A	N/A	N/A	M-610-2	5826
GM6103	AS 2403 HG	B411-18 ZN	N/A	N/A	N/A	N/A	M-610-3	5827

WALL BRACKET >>

G-STRUT®	ANVIL	B-LINE/EATON	ELITE	ERICO/NVENT	FLEX-STRUT	FLORIDA/ZSI	HAYDON	PHD
GM6111	AS 2404 HG	B381 ZN	N/A	N/A	N/A	N/A	M-611-1	5830
GM6112	AS 2405 HG	B382 ZN	N/A	N/A	N/A	N/A	M-611-2	5831
GM6113	AS 2406 HG	B383 ZN	N/A	N/A	N/A	N/A	M-611-3	5832
GM6114	AS 2407 HG	N/A	N/A	N/A	N/A	N/A	M-611-4	5833
GM6115	AS 2408 HG	N/A	N/A	-	N/A	N/A	M-611-5	5834

SINGLE CHANNEL FLAT PLATE BRACKET >>

G-STRUT®	ANVIL	B-LINE/EATON	ELITE	ERICO/NVENT	FLEX-STRUT	FLORIDA/ZSI	HAYDON	PHD
GT6121	AS 651 EG 6"	B409-6 ZN	N/A	BR220600EG	FS-5636-6	BR400600EG	T-610-6" PG	6130
GT6122	AS 651 EG 12"	B409-12 ZN	N/A	BR221200EG	FS-5636-12	BR401200EG	T-610-12" PG	6132
GT6123	AS 651 EG 18"	B409-18 ZN	N/A	BR221800EG	FS-5636-18	BR401800EG	T-610-18" PG	6134
GT6124	AS 651 EG 24"	B409-24 ZN	N/A	BR222400EG	FS-5636-24	BR402400EG	T-610-24" PG	6135

BRACKET >>

G-STRUT®	ANVIL	B-LINE/EATON	ELITE	ERICO/NVENT	FLEX-STRUT	FLORIDA/ZSI	HAYDON	PHD
GT613	N/A	B293-6 ZN	N/A	N/A	N/A	N/A	N/A	N/A
GT6131	N/A	B293-12 ZN	N/A	N/A	N/A	N/A	N/A	N/A
GT615	AS 708 EG	N/A	N/A	N/A	**FS-5651 (5 7/8 X 4 3/4)	**BR30 0000EG (5 5/8 X 4 7/8)	N/A	6305

DOUBLE CHANNEL BRACKET SUPPORT >>

G-STRUT®	ANVIL	B-LINE/EATON	ELITE	ERICO/NVENT	FLEX-STRUT	FLORIDA/ZSI	HAYDON	PHD
GT616	AS 3164 EG	N/A	N/A	N/A	FS-5650	**BR31 0000EG (8 X 4 1/2)	N/A	6310

WRAP AROUND CHANNEL BRACKET >>

G-STRUT®	ANVIL	B-LINE/EATON	ELITE	ERICO/NVENT	FLEX-STRUT	FLORIDA/ZSI	HAYDON	PHD
GT6171	N/A	B196-18 ZN	N/A	N/A	FS-5635-18	BR411800EG	N/A	6246
GT6172	N/A	B196-24 ZN	N/A	N/A	FS-5635-24	BR412400EG	N/A	6248

INTERLOCKING CHANNEL BRACKET (SLOT UP) >>

G-STRUT®	ANVIL	B-LINE/EATON	ELITE	ERICO/NVENT	FLEX-STRUT	FLORIDA/ZSI	HAYDON	PHD
GT6181	N/A	N/A	N/A	N/A	FS-5631-6	**BR430600EG (3 5/8 X 6)	N/A	6202
GT6182	N/A	N/A	N/A	N/A	N/A	FS-5631-12	N/A	N/A

NOTE: **ACCESSORIES - Measurements may not be an exact match.

STRUT INDUSTRY PRODUCT CODES >>

ACCESSORIES

ROD OR INSULATOR SUPPORT >>

G-STRUT®	POWER/ATKORE	PUPCO	SASCO	SUPERSTRUT/ ABB	UNISTRUT/ATKORE	VERSABAR/ZSI	WESANCO/ZSI
G41213/8	N/A	BC-500 3/8	N/A	N/A	P2894-37	N/A	N/A
G41221/2	N/A	BC-500 1/2	N/A	N/A	P2894-50	N/A	N/A

WIDE MOUTH BEAM CLAMP >>

G-STRUT®	POWER/ATKORE	PUPCO	SASCO	SUPERSTRUT/ ABB	UNISTRUT/ATKORE	VERSABAR/ZSI	WESANCO/ZSI
G41313/8	N/A	BC-FIG.61 3/8 PG	-	M-778-3/8 EG	P2899-37	N/A	W-5733
G41321/2	N/A	BC-FIG.61 1/2 PG	-	M-778-1/2 EG	P2899-50	N/A	W-5735
G41335/8	PS 94 5/8	BC-FIG.61 5/8 PG	-	M-778-5/8 EG	P2899-62	N/A	W-5737
G41343/4	PS 94 3/4	BC-FIG.61 3/4 PG	-	M-778-3/4 EG	P2899-75	N/A	W-5739
G41357/8	N/A	BC-FIG.61 7/8 PG	-	N/A	N/A	N/A	N/A

SMALL MOUTH BEAM CLAMP (PLAIN FINISH) >>

G-STRUT®	POWER/ATKORE	PUPCO	SASCO	SUPERSTRUT/ ABB	UNISTRUT/ATKORE	VERSABAR/ZSI	WESANCO/ZSI
G41411/4	N/A	BC-AS858 3/8	-	N/A	P2898-37	N/A	N/A
G41423/8	N/A	BC-AS858 1/2	-	M-777-3/8 EG	N/A	N/A	N/A
G41431/2	N/A	BC-AS858 5/8	-	M-777-1/2 EG	P2898-50	N/A	N/A

SMALL MOUTH REVERSIBLE BEAM CLAMPS >>

G-STRUT®	POWER/ATKORE	PUPCO	SASCO	SUPERSTRUT/ ABB	UNISTRUT/ATKORE	VERSABAR/ZSI	WESANCO/ZSI
G415	N/A	N/A	-	N/A	N/A	N/A	N/A

STAIR SUPPORT >>

G-STRUT®	POWER/ATKORE	PUPCO	SASCO	SUPERSTRUT/ ABB	UNISTRUT/ATKORE	VERSABAR/ZSI	WESANCO/ZSI
GM601	PS 2422	N/A	N/A	N/A	P2655	VF-7045 37 1/2	N/A
GM602	PS 2421	N/A	N/A	N/A	P1944	VF-7045 45	N/A

LADDER RUNG >>

G-STRUT®	POWER/ATKORE	PUPCO	SASCO	SUPERSTRUT/ ABB	UNISTRUT/ATKORE	VERSABAR/ZSI	WESANCO/ZSI
GM6101	PS 2401	N/A	N/A	N/A	P1201	VF-6108	N/A
GM6102	PS 2402	N/A	N/A	N/A	P1202	VF-6109	N/A
GM6103	PS 2403	N/A	N/A	N/A	P1203	VF-6110	N/A

WALL BRACKET >>

G-STRUT®	POWER/ATKORE	PUPCO	SASCO	SUPERSTRUT/ ABB	UNISTRUT/ATKORE	VERSABAR/ZSI	WESANCO/ZSI
GM6111	PS 2404	N/A	S780-6HG	AN-270-1 EG	P1204	VF-6111	N/A
GM6112	PS 2405	N/A	S780-8HG	AN-270-2 EG	P1205	VF-6112	N/A
GM6113	PS 2406	N/A	S780-10HG	AN-270-3 EG	P1206	VF-6113	N/A
GM6114	PS 2407	N/A	S780-12HG	AN-270-4 EG	P1207	VF-6114	N/A
GM6115	PS 2408	N/A	S780-14HG	AN-270-5 EG	P1208	VF-6115	N/A

SINGLE CHANNEL FLAT PLATE BRACKET >>

G-STRUT®	POWER/ATKORE	PUPCO	SASCO	SUPERSTRUT/ ABB	UNISTRUT/ATKORE	VERSABAR/ZSI	WESANCO/ZSI
GT6121	**PS 651 (4 5/8 X 6)	BR-AS651-6	N/A	S250 6 EG	P2944	**VB-1060-FP (5 3/8 X 6)	N/A
GT6122	**PS 651 (4 5/8 X 12)	BR-AS651-12	N/A	S250-12 EG	P2945	**VB-1120-FP (5 3/8 X 8)	N/A
GT6123	**PS 651 (4 5/8 X 18)	BR-AS651-18	N/A	S250-18 EG	P2946	**VB-1180-FP (5 3/8 X 10)	N/A
GT6124	**PS 651 (4 5/8 X 24)	BR-AS651-24	N/A	S250-24 EG	P2947	**VB-1240-FP (5 3/8 X 12)	N/A

BRACKET >>

G-STRUT®	POWER/ATKORE	PUPCO	SASCO	SUPERSTRUT/ ABB	UNISTRUT/ATKORE	VERSABAR/ZSI	WESANCO/ZSI
GT613	PS 661 T1 6	N/A	N/A	N/A	N/A	N/A	N/A
GT6131	PS 661 T1 12	N/A	N/A	N/A	N/A	N/A	N/A
GT615	PS 708	**BR-AS708 (5 5/8 X 4 7/8)	N/A	S247 EG	P1075	VF-7301	W-5651

DOUBLE CHANNEL BRACKET SUPPORT >>

G-STRUT®	POWER/ATKORE	PUPCO	SASCO	SUPERSTRUT/ ABB	UNISTRUT/ATKORE	VERSABAR/ZSI	WESANCO/ZSI
GT616	PS 3164	**BR-AS3164 (8 X 4 1/2)	N/A	S248 EG	P1593	VF-7301-B	W-5650

WRAP AROUND CHANNEL BRACKET >>

G-STRUT®	POWER/ATKORE	PUPCO	SASCO	SUPERSTRUT/ ABB	UNISTRUT/ATKORE	VERSABAR/ZSI	WESANCO/ZSI
GT6171	PS 661 T2 18	BR-AS661-18	N/A	N/A	P2233	VB-1180	W-5647
GT6172	PS 661 T2 24	BR-AS661-24	N/A	N/A	P2234	VB-1240	W-5648

INTERLOCKING CHANNEL BRACKET (SLOT UP) >>

G-STRUT®	POWER/ATKORE	PUPCO	SASCO	SUPERSTRUT/ ABB	UNISTRUT/ATKORE	VERSABAR/ZSI	WESANCO/ZSI
GT6181	**PS 808 T1 (3 3/4 X 6)	BR-AS808T1 6	N/A	S256 6 EG	**P2513 (3 3/4 X 6)	VB-1060-X	W-5631
GT6182	**PS 808 T1 (3 3/4 X 12)	BR-AS808T1 12	N/A	S256 12 EG	**P2514 (3 3/4 X 12)	VB-1120-X	W-5632

NOTE: **ACCESSORIES - Measurements may not be an exact match.

STRUT INDUSTRY PRODUCT CODES >>

ACCESSORIES

INTERLOCKING CHANNEL BRACKET (SLOT UP) >>

G-STRUT™	ANVIL	B-LINE/EATON	ELITE	ERICO/NVENT	FLEX-STRUT	FLORIDA/ZSI	HAYDON	PHD
GT6183	N/A	N/A	N/A	N/A	FS-5631-18	**BR431800EG (3 5/8 X 18)	N/A	6206
GT6184	N/A	N/A	N/A	N/A	FS-5631-24	**BR432400EG (3 5/8 X 24)	N/A	6208

INTERLOCKING CHANNEL BRACKET (SLOT DOWN) >>

G-STRUT™	ANVIL	B-LINE/EATON	ELITE	ERICO/NVENT	FLEX-STRUT	FLORIDA/ZSI	HAYDON	PHD
GT6181	N/A	N/A	N/A	N/A	FS-5632-6	**BR440600EG (3 5/8 X 6)	N/A	6212
GT6182	N/A	N/A	N/A	N/A	FS-5632-12	**BR441200EG (3 5/8 X 12)	N/A	6214
GT6183	N/A	N/A	N/A	N/A	FS-5632-18	**BR441800EG (3 5/8 X 18)	N/A	6216
GT6184	N/A	N/A	N/A	N/A	FS-5632-24	**BR442400EG (3 5/8 X 24)	N/A	6218

SHELF BRACKET >>

G-STRUT™	ANVIL	B-LINE/EATON	ELITE	ERICO/NVENT	FLEX-STRUT	FLORIDA/ZSI	HAYDON	PHD
GT6191	N/A	N/A	N/A	N/A	FS-5639 8 1/2	BR200850EG	T-630-1	6101
GT6192	N/A	B541	N/A	N/A	FS-5639 10 1/2	BR201050EG	T-630-2	6102
GT6193	N/A	N/A	N/A	N/A	FS-5639 12 1/2	BR211250EG	T-630-3	6121
GT6194	N/A	N/A	N/A	N/A	FS-5639 14 1/2	BR211450EG	T-630-4	6122

SHELF SUPPORTS >>

G-STRUT™	ANVIL	B-LINE/EATON	ELITE	ERICO/NVENT	FLEX-STRUT	FLORIDA/ZSI	HAYDON	PHD
GT6206L	N/A	B184SH L ZN	N/A	N/A	FS-5600-6L	N/A	N/A	6170L 6
GT6206R	N/A	B184SH R ZN	N/A	N/A	FS-5600-6R	N/A	N/A	6170R 6
GT6208L	AS 838 LH EG (8 X 2 15/16)	B185SH L ZN	N/A	N/A	FS-5600-8L	BR8L0800EG	T-620/8-L (8 X 2 15/16)	6171L 8
GT6208R	AS 838 RH EG (8 X 2 15/16)	B185SH R ZN	N/A	N/A	FS-5600-8R	BR8R0800EG	T-620/8-R (8 X 2 15/16)	6171R 8
GT6210L	AS 838 LH EG 10 X 2 15/16	B186SH L ZN	N/A	N/A	FS-5600-10L	**BR8L1000EG (10 X 2 7/8)	T-620/10-L	6172L 10
GT6210R	AS 838 RH EG 10 X 2 15/16	B186SH R ZN	N/A	N/A	FS-5600-10R	**BR8R1000EG (10 X 2 7/8)	T-620/10-R	6172R 10
GT62112L	AS 838 LH EG 12" X 3 7/16"	B178SH L ZN	N/A	N/A	FS-5600-12L	BR8L1200EG	T-621/12-L	6164L 12
GT62112R	AS 838 RH EG 12" X 3 7/16"	B178SH R ZN	N/A	N/A	FS-5600-12R	BR8R1200EG	T-621/12-R	6164R 12
GT62114L	AS 838 LH EG 14 X 3 15/16	B179SH L ZN	N/A	N/A	FS-5600-14L	BR8L1400EG	T-621/14-L	6165L 14
GT62114R	AS 838 RH EG 14 X 3 15/16	B179SH R ZN	N/A	N/A	FS-5600-14R	BR8R1400EG	T-621/14-R	6165R 14
GT62116L	AS 838 LH EG 16 X 4 7/16	B180SH L ZN	N/A	N/A	FS-5600-16L	BR8L1600EG	T-621/16-L	6166L 16
GT62116R	AS 838 RH EG 16 X 4 7/16	B180SH R ZN	N/A	N/A	FS-5600-16R	BR8R1600EG	T-621/16-R	6166R 16
GT62118L	AS 838 LH EG 18 X 4 15/16	B181SH L ZN	N/A	N/A	FS-5600-18L	BR8L1800EG	T-621/18-L	6167L 18
GT62118R	AS 838 RH EG 18 X 4 15/16	B181SH R ZN	N/A	N/A	FS-5600-18R	BR8R1800EG	T-621/18-R	6167R 18
GT62120L	AS 838 LH EG 20 X 5 7/16	B182SH L ZN	N/A	N/A	FS-5600-20L	BR8L2000EG	T-621/20-L	6168L 20
GT62120R	AS 838 RH EG 20 X 5 7/16	B182SH R ZN	N/A	N/A	FS-5600-20R	BR8R2000EG	T-621/20-R	6168R 20
GT62122L	AS 838 LH EG 22 X 5 15/16	B183SH L ZN	N/A	N/A	FS-5600-22L	BR8L2200EG	T-621/22-L	6169L 22
GT62122R	AS 838 RH EG 22 X 5 15/16	B183SH R ZN	N/A	N/A	FS-5600-22R	BR8R2200EG	T-621/22-R	6169R 22
GT62224L	AS 838 LH EG 24 X 6 7/16	B174SH L ZN	N/A	N/A	FS-5600-24L	BR8L2400EG	T-622/24-L	6160L 24
GT62224R	AS 838 RH EG 24 X 6 7/16	B174SH R ZN	N/A	N/A	FS-5600-24R	BR8R2400EG	T-622/24-R	6160R 24
GT62226L	AS 838 LH EG 26 X 6 15/16	B175SH L ZN	N/A	N/A	FS-5600-26L	BR8L2600EG	T-622/26-L	6161L 26
GT62226R	AS 838 RH EG 26 X 6 15/16	B175SH R ZN	N/A	N/A	FS-5600-26R	BR8R2600EG	T-622/26-R	6161R 26
GT62228L	AS 838 LH EG 28 X 7 7/16	B176SH L ZN	N/A	N/A	FS-5600-28L	BR8L2800EG	T-622/28-L	6162L 28
GT62228R	AS 838 RH EG 28 X 7 7/16	B176SH R ZN	N/A	N/A	FS-5600-28R	BR8R2800EG	T-622/28-R	6162R 28
GT62230L	AS 838 LH EG 30 X 7 15/16	B177SH L ZN	N/A	N/A	FS-5600-30L	BR8L3000EG	T-622/30-L	6163L 30
GT62230R	AS 838 RH EG 30 X 7 15/16	B177SH R ZN	N/A	N/A	FS-5600-30R	BR8R3000EG	T-622/30-R	6163R 30

SHELF BRACKET >>

G-STRUT™	ANVIL	B-LINE/EATON	ELITE	ERICO/NVENT	FLEX-STRUT	FLORIDA/ZSI	HAYDON	PHD
GT6231	N/A	B290 ZN	N/A	N/A	FS-5639-16 1/2	BR221650EG	T-630-5	6123
GT6232	N/A	B291 ZN	N/A	N/A	**FS-5639 18 (18 X 6)	BR221850EG	T-630-6	6124
GT6233	N/A	B292 ZN	N/A	N/A	N/A	BR222050EG	T-630-7	6125

BRACED SINGLE BRACKET >>

G-STRUT™	ANVIL	B-LINE/EATON	ELITE	ERICO/NVENT	FLEX-STRUT	FLORIDA/ZSI	HAYDON	PHD
GT6251	N/A	B494-12 ZN	N/A	N/A	FS-5638-12	BR451200EG	N/A	6150
GT6252	-	-	N/A	N/A	FS-5638-18	BR451800EG	N/A	6151
GT6253	N/A	B494-24 ZN	N/A	N/A	FS-5638-24	BR452400EG	N/A	6152

CONDUIT CLAMPS - EMT >>

G-STRUT™	ANVIL	B-LINE/EATON	ELITE	ERICO/NVENT	FLEX-STRUT	FLORIDA/ZSI	HAYDON	PHD
GC110037	AS 1000 EG 3/8	B2000 ZN	N/A	N/A	FS-1000-3/8	N/A	C1100-3/8	2201
GC110050	N/A	B2001 ZN	N/A	N/A	N/A	N/A	N/A	2202
GC110050ASMBL	AS 1000 EG 1/2	B2001 PA ZN	N/A	EMTC0200EG	FS-1000A-1/2	SCE 0050EG	C1100-1/2AS	N/A
GC110075	N/A	B2002 ZN	N/A	N/A	N/A	N/A	N/A	2203
GC110075ASMBL	AS 1000 EG 3/4	B2002 PA ZN	N/A	EMTC0100EG	FS-1000A-3/4	SCE 0075EG	C1100-3/4AS	N/A
GC110100	N/A	B2003 ZN	N/A	N/A	N/A	N/A	N/A	2204
GC110100ASMBL	AS 1000 EG 1	B2003 PA ZN	N/A	EMTC0125EG	FS-1000A-1	SCE 0100EG	C1100-1AS	N/A
GC110125	N/A	B2004 ZN	N/A	N/A	N/A	N/A	N/A	2205
GC110125ASMBL	AS 1000 EG 1 1/4	B2004 PA ZN	N/A	EMTC0125EG	FS-1000A-1/4	SCE 0125EG	C1100-1 1/4AS	N/A
GC110150	N/A	B2005 ZN	N/A	N/A	N/A	N/A	N/A	2206
GC110150ASMBL	AS 1000 EG 1 1/2	B2005 PA ZN	N/A	EMTC0150EG	FS-1000A-1 1/2	SCE 0150EG	C1100-1 1/2AS	N/A
GC110200	N/A	B2006 ZN	N/A	N/A	N/A	N/A	N/A	2207
GC110200ASMBL	AS 1000 EG 2	B2006 PA ZN	N/A	EMTC0200EG	FS-1000A-2	SCE 0200EG	C1100-2AS	-

NOTE: **ACCESSORIES - Measurements may not be an exact match.

STRUT INDUSTRY PRODUCT CODES »

ACCESSORIES

INTERLOCKING CHANNEL BRACKET (SLOT UP) »

G-STRUT®	POWER/ATKORE	PUPCO	SASCO	SUPERSTRUT/ ABB	UNISTRUT/ATKORE	VERSABAR/ZSI	WESANCO/ZSI
GT6183	**PS 808 T1 (3 3/4 X 18)	BR-AS808T1 18	N/A	S256 18 EG	**P2515 (3 3/4 X 18)	VB-1180-X	W-5633
GT6184	**PS 808 T1 (3 3/4 X 24)	BR-AS808T1 24	N/A	S256 24 EG	**P2516 (3 3/4 X 24)	VB-1240-X	W-5634

INTERLOCKING CHANNEL BRACKET (SLOT DOWN) »

G-STRUT®	POWER/ATKORE	PUPCO	SASCO	SUPERSTRUT/ ABB	UNISTRUT/ATKORE	VERSABAR/ZSI	WESANCO/ZSI
GT6181	**PS 808 T2 (3 3/4 X 6)	BR-AS808T2 6	N/A	N/A	**P2513A (3 3/4 X 6)	VB-1060-XD	W-5635
GT6182	**PS 808 T2 (3 3/4 X 12)	BR-AS808T2 12	N/A	N/A	**P2514A (3 3/4 X 12)	VB-1120-XD	W-5636
GT6183	**PS 808 T2 (3 3/4 X 18)	BR-AS808T2 18	N/A	N/A	**P2515A (3 3/4 X 18)	VB-1180-XD	W-5637
GT6184	**PS 808 T2 (3 3/4 X 24)	BR-AS808T2 24	N/A	N/A	**P2516A (3 3/4 X 24)	VB-1240-XD	W-5638

SHELF BRACKET »

G-STRUT®	POWER/ATKORE	PUPCO	SASCO	SUPERSTRUT/ ABB	UNISTRUT/ATKORE	VERSABAR/ZSI	WESANCO/ZSI
GT6191	PS 732 8 1/2 X 4"	BR-AS732-8	N/A	S204	P1769	VB-4085	W-5669
GT6192	PS 732 10 1/2 X 4"	BR-AS732-10	N/A	S205	P1771	VB-4105	W-5671
GT6193	PS 732 12 1/2 X 6"	N/A	N/A	S217	P1773	VB-4125	W-5673
GT6194	PS 732 14 1/2 X 6"	N/A	N/A	S218	P1775	VB-4145	W-5675

SHELF SUPPORTS »

G-STRUT®	POWER/ATKORE	PUPCO	SASCO	SUPERSTRUT/ ABB	UNISTRUT/ATKORE	VERSABAR/ZSI	WESANCO/ZSI
GT6206L	N/A	N/A	N/A	S201-L6 EG	P2491 L	VB-2106-SL-L	W-5601
GT6206R	N/A	N/A	N/A	S201-R6 EG	P2491 R	VB-2106-SL-R	W-5602
GT6208L	N/A	N/A	N/A	S201-L8 EG	P2492 L	VB-2108-SL-L	W-5603
GT6208R	N/A	N/A	N/A	S201-R8 EG	P2492 R	VB-2108-SL-R	W-5604
GT62010L	PS 838 10L	N/A	N/A	S201-L10 EG	P2493 L	VB-2110-SL-L	W-5605
GT62010R	PS 838 10R	N/A	N/A	S201-R10 EG	P2493 R	VB-2110-SL-R	W-5606
GT62112L	PS 838 12L	BR-AS838-12L	N/A	S201-L12 EG	P2494 L	VB-2112-SL-L	W-5607
GT62112R	PS 838 12R	BR-AS838-12R	N/A	S201-R12 EG	P2494 R	VB-2112-SL-R	W-5608
GT62114L	PS 838 14L	BR-AS838-14L	N/A	S201-L14 EG	P2495 L	VB-2114-SL-L	W-5609
GT62114R	PS 838 14R	BR-AS838-14R	N/A	S201-R14 EG	P2495 R	VB-2114-SL-R	W-5610
GT62116L	PS 838 16L	BR-AS838-16L	N/A	S201-L16 EG	P2496 L	VB-2116-SL-L	W-5611
GT62116R	PS 838 16R	BR-AS838-16R	N/A	S201-R16 EG	P2496 R	VB-2116-SL-R	W-5612
GT62118L	PS 838 18L	BR-AS838-18L	N/A	S201-L18 EG	P2497 L	VB-2118-SL-L	W-5613
GT62118R	PS 838 18R	BR-AS838-18R	N/A	S201-R18 EG	P2497 R	VB-2118-SL-R	W-5614
GT62120L	PS 838 20L	BR-AS838-20L	N/A	S201-L20 EG	P2498 L	VB-2120-SL-L	W-5615
GT62120R	PS 838 20R	BR-AS838-20R	N/A	S201-R20 EG	P2498 R	VB-2120-SL-R	W-5616
GT62122L	PS 838 22L	BR-AS838-22L	N/A	N/A	P2499 L	VB-2122-SL-L	W-5617
GT62122R	PS 838 22R	BR-AS838-22R	N/A	N/A	P2499 R	VB-2122-SL-R	W-5618
GT62224L	PS 838 24L	BR-AS838-24L	N/A	N/A	P2500 L	VB-2124-SL-L	W-5619
GT62224R	PS 838 24R	BR-AS838-24R	N/A	N/A	P2500 R	VB-2124-SL-R	W-5620
GT62226L	PS 838 26L	BR-AS838-26L	N/A	N/A	P2501 L	VB-2126-SL-L	W-5621
GT62226R	PS 838 26R	BR-AS838-26R	N/A	N/A	P2501 R	VB-2126-SL-R	W-5622
GT62228L	PS 838 28L	BR-AS838-28L	N/A	N/A	P2502 L	VB-2128-SL-L	W-5623
GT62228R	PS 838 28R	BR-AS838-28R	N/A	N/A	P2502 R	VB-2128-SL-R	W-5624
GT62230L	PS 838 30L	BR-AS838-30L	N/A	N/A	P2503 L	VB-2130-SL-L	W-5625
GT62230R	PS 838 30R	BR-AS838-30R	N/A	N/A	P2503 R	VB-2130-SL-R	W-5626

SHELF BRACKET »

G-STRUT®	POWER/ATKORE	PUPCO	SASCO	SUPERSTRUT/ ABB	UNISTRUT/ATKORE	VERSABAR/ZSI	WESANCO/ZSI
GT6231	PS 732 16	BR-AS732-16	N/A	S222 EG	P1777	VB-4165	W-5677
GT6232	PS 732 18	BR-AS732-18	N/A	S226 EG	N/A	VB-4185	N/A
GT6233	PS 732 20	BR-AS732-20	N/A	S236 EG	N/A	VB-4205	N/A

BRACED SINGLE BRACKET »

G-STRUT®	POWER/ATKORE	PUPCO	SASCO	SUPERSTRUT/ ABB	UNISTRUT/ATKORE	VERSABAR/ZSI	WESANCO/ZSI
GT6251	PS 3282 12	BR-AS3282-12	N/A	N/A	N/A	VB-4120	N/A
GT6252	-	-	-	N/A	N/A	VB-4180	N/A
GT6253	PS 3282 24	BR-AS3282-24	N/A	N/A	N/A	N/A	N/A

CONDUIT CLAMPS - EMT »

G-STRUT®	POWER/ATKORE	PUPCO	SASCO	SUPERSTRUT/ ABB	UNISTRUT/ATKORE	VERSABAR/ZSI	WESANCO/ZSI
GC110037	N/A	-	S38TW	700-3/8-STR-EG	P1425	VPT-1037	W-6025
GC110050	N/A	-	N/A	N/A	N/A	N/A	N/A
GC110050ASMBL	PS 1000 1/2	-	S12TW	700-1/2-STR-EG	P1426AS	VPT-1050	W-6026
GC110075	N/A	-	N/A	N/A	N/A	N/A	N/A
GC110075ASMBL	PS 1000 3/4	-	S34TW	700-3/4-STR-EG	P1427AS	VPT-1075	W-6028
GC110100	N/A	-	N/A	N/A	N/A	N/A	N/A
GC110100ASMBL	PS 1000 1	-	S11TW	700-1-STR-EG	P1428AS	VPT-1100	W-6030
GC110125	N/A	-	N/A	N/A	N/A	N/A	N/A
GC110125ASMBL	PS 1000 1 1/4	-	S114TW	700-1 1/4-STR-EG	P1429AS	VPT-1125	W-6032
GC110150	N/A	-	N/A	N/A	N/A	N/A	N/A
GC110150ASMBL	PS 1000 1 1/2	-	S112TW	700-1 1/2-STR-EG	P1430AS	VPT-1150	W-6034
GC110200	N/A	-	N/A	N/A	N/A	N/A	N/A
GC110200ASMBL	PS 1000 2	-	S2TW	700-2-STR-EG	P1431AS	VPT-1200	W-6038

NOTE: **ACCESSORIES - Measurements may not be an exact match.

STRUT INDUSTRY PRODUCT CODES »

ACCESSORIES

CONDUIT CLAMPS - STANDARD - RIGID »

G-STRUT®	ANVIL	B-LINE/EATON	ELITE	ERICO/NVENT	FLEX-STRUT	FLORIDA/ZSI	HAYDON	PHD
GC112037	AS 1100 EG 3/8	B2001 ZN	9SRC0037G	N/A	FS-1100-3/8	SCR 0037EG	C1102-3/8	2001
GC112050	N/A	B2008 ZN	9SRC0050G	N/A	N/A	N/A	N/A	2002
GC112050ASMBL	AS 1100 EG 1/2	B2008 PA ZN	N/A	N/A	FS-1100A-1/2	SCR 0050EG	C1102-1/2AS	N/A
GC112075	N/A	B2009 ZN	9SRC0075G	N/A	N/A	N/A	N/A	2003
GC112075ASMBL	AS 1100 EG 3/4	B2009 PA ZN	N/A	N/A	FS-1100A-3/4	SCR 0075EG	C1102-3/4AS	N/A
GC112100	N/A	B2010 ZN	9SRC0100G	N/A	N/A	N/A	N/A	2004
GC112100ASMBL	AS 1100 EG 1	B2010 PA ZN	N/A	N/A	FS-1100A-1	SCR 0100EG	C1102-1AS	N/A
GC112125	N/A	B2011 ZN	9SRC0125G	N/A	N/A	N/A	N/A	2005
GC112125ASMBL	AS 1100 EG 1 1/4	B2011 PA ZN	N/A	N/A	FS-1100A-1 1/4	SCR 0125EG	C1102-1 1/4AS	N/A
GC112 150	N/A	B2012 ZN	9SRC0150G	N/A	N/A	N/A	N/A	2006
GC112150ASMBL	AS 1100 EG 1 1/2	B2012 PA ZN	N/A	N/A	FS-1100A-1 1/2	SCR 0150EG	C1102-1 1/2AS	N/A
GC112200	N/A	B2013 ZN	9SRC0200G	N/A	N/A	N/A	N/A	2007
GC112200ASMBL	AS 1100 EG 2	B2013 PA ZN	N/A	N/A	FS-1100A-2	SCR 0200EG	C1102-2AS	N/A
GC112250	N/A	B2014 ZN	9SRC0250G	N/A	N/A	N/A	N/A	2008
GC112250ASMBL	AS 1100 EG 2 1/2	B2014 PA ZN	N/A	N/A	FS-1100A-2 1/2	SCR 0250EG	C1102-2 1/2AS	N/A
GC112300	N/A	B2015 ZN	9SRC0300G	N/A	N/A	N/A	N/A	2009
GC112300ASMBL	AS 1100 EG 3	B2015 PA ZN	N/A	N/A	FS-1100A-3	SCR 0300EG	C1102-3AS	N/A
GC112350	N/A	B2016 ZN	9SRC0350G	N/A	N/A	N/A	N/A	2010
GC112350ASMBL	AS 1100 EG 3 1/2	B2016 PA ZN	N/A	N/A	FS-1100A-3 1/2	SCR 0350EG	C1102-3 1/2AS	N/A
GC112400	N/A	B2017 ZN	9SRC0400G	N/A	N/A	N/A	N/A	2011
GC112400ASMBL	AS 1100 EG 4	B2017 PA ZN	N/A	N/A	FS-1100A-4	SCR 0400EG	C1102-4AS	N/A
GC112500	AS 1100 EG 5	B2019 ZN	9SRC0500G	N/A	FS-1100-5	SCR 0500EG	C1102-5	2012
GC112600	AS 1100 EG 6	B2020 ZN	9SRC0600G	N/A	FS-1100-6	SCR 0600EG	C1102-6	2013
GC112800	AS 1100 EG 8	B2022 ZN	9SRC0800G	N/A	FS-1100-8	SCR 0800EG	C1102-8	2014
GC1121000	AS 1100 EG 10	B2130 ZN	N/A	N/A	FS-1100-10	SCR 1000EG	C1102-10	2015

CONDUIT CLAMPS - UNIVERSAL »

G-STRUT®	ANVIL	B-LINE/EATON	ELITE	ERICO/NVENT	FLEX-STRUT	FLORIDA/ZSI	HAYDON	PHD
GC114037	N/A	B2207 ZN	N/A	N/A	FS-1300-3/8	N/A	C1104-3/8	2101
GC114050	N/A	B2208 ZN	N/A	N/A	N/A	SCU 0050EG	N/A	2102
GC114050ASMBL	AS 1300 EG 1/2	B2208 PA ZN	N/A	N/A	FS-1300A-1/2	N/A	C1104-1/2AS	N/A
GC114075	N/A	B2209 ZN	N/A	N/A	N/A	SCU 0075EG	N/A	2103
GC114075ASMBL	AS 1300 EG 3/4	B2209 PA ZN	N/A	N/A	FS-1300A-3/4	N/A	C1104-3/4AS	N/A
GC114100	N/A	B2210 ZN	N/A	N/A	N/A	SCU 0100EG	N/A	2104
GC114100ASMBL	AS 1300 EG 1	B2210 PA ZN	N/A	N/A	FS-1300A-1	N/A	C1104-1AS	N/A
GC114125	N/A	B2211 ZN	N/A	N/A	N/A	SCU 0125EG	N/A	2105
GC114125ASMBL	AS 1300 EG 1 1/4	B2211 PA ZN	N/A	N/A	FS-1300A-1 1/4	N/A	C1104-1 1/4AS	N/A
GC114150	N/A	B2212 ZN	N/A	N/A	N/A	SCU 0150EG	N/A	2106
GC114150ASMBL	AS 1300 EG 1 1/2	B2212 PA ZN	N/A	N/A	FS-1300A-1 1/2	N/A	C1104-1 1/2AS	N/A
GC114200	N/A	B2213 ZN	N/A	N/A	N/A	SCU 0200EG	N/A	2107
GC114200ASMBL	AS 1300 EG 2	B2213 PA ZN	N/A	N/A	FS-1300A-2	N/A	C1104-2AS	N/A

CONDUIT CLAMPS - O.D. TUBING »

G-STRUT®	ANVIL	B-LINE/EATON	ELITE	ERICO/NVENT	FLEX-STRUT	FLORIDA/ZSI	HAYDON	PHD
GC111025	AS 1200 O.D. EG 1/4	B2023 ZN	9EOD0025G	N/A	FS-1200-1/4	SCO 0025EG	C1101-1/4	2401
GC111037	AS 1200 O.D. EG 3/8	B2024 ZN	9EOD0037G	N/A	FS-1200-3/8	SCO 0037EG	C1101-3/8	2402
GC111050	AS 1200 O.D. EG 1/2	B2025 ZN	9EOD0050G	N/A	FS-1200-1/2	SCO 0050EG	C1101-1/2	2403
GC111062	AS 1200 O.D. EG 5/8	B2026 ZN	9EOD0062G	N/A	FS-1200-5/8	SCO 0062EG	C1101-5/8	2404
GC111075	AS 1200 O.D. EG 3/4	B2027 ZN	9EOD0075G	N/A	FS-1200-3/4	SCO 0075EG	C1101-3/4	2405
GC111087	AS 1200 O.D. EG 7/8	B2028 ZN	9EOD0087G	N/A	FS-1200-7/8	SCO 0087EG	C1101-7/8	2406
GC111100	AS 1200 O.D. EG 1	B2029 ZN	9EOD0100G	N/A	FS-1200-1	SCO 0100EG	C1101-1	2407
GC111112	AS 1200 O.D. EG 1 1/8	B2030 ZN	9EOD0112G	N/A	FS-1200-1 1/8	SCO 0112EG	C1101-1 1/8	2408
GC111125	AS 1200 O.D. EG 1 1/4	B2031 ZN	9EOD0125G	N/A	FS-1200-1 1/4	SCO 0125EG	C1101-1 1/4	2409
GC111137	AS 1200 O.D. EG 13/8	B2032 ZN	9EOD0137G	N/A	FS-1200-1 3/8	SCO 0137EG	C1101-1 3/8	2410
GC111150	AS 1200 O.D. EG 1 1/2	B2004 ZN	9EOD0150G	N/A	FS-1200-1 1/2	SCO 0150EG	C1101-1 1/2	2411
GC111162	AS 1200 O.D. EG 1 5/8	B2011 ZN	9EOD0162G	N/A	FS-1200-1 5/8	SCO 0162EG	C1101-1 5/8	2412
GC111175	AS 1200 O.D. EG 1 3/4	B2005 ZN	9EOD0175G	N/A	FS-1200-1 3/4	SCO 0175EG	C1101-1 3/4	2413
GC111187	AS 1200 O.D. EG 1 7/8	B2036 ZN	9EOD0187G	N/A	FS-1200-1 7/8	SCO 0187EG	C1101-1 7/8	2414
GC111200	AS 1200 O.D. EG 2	B2037 ZN	9EOD0200G	N/A	FS-1200-2	SCO 0200EG	C1101-2	2415
GC111212	AS 1200 O.D. EG 2 1/8	B2038 ZN	9EOD0212G	N/A	FS-1200-2 1/8	SCO 0212EG	C1101-2 1/8	2416
GC111225	AS 1200 O.D. EG 2 1/4	B2039 ZN	9EOD0225G	N/A	FS-1200-2 1/4	SCO 0225EG	C1101-2 1/4	2417
GC111237	AS 1200 O.D. EG 2 3/8	B2013 ZN	9EOD0237G	N/A	FS-1200-2 3/8	SCO 0237EG	C1101-2 3/8	N/A
GC111250	AS 1200 O.D. EG 2 1/2	B2041 ZN	9EOD0250G	N/A	FS-1200-2 1/2	SCO 0250EG	C1101-2 1/2	2418
GC111262	AS 1200 O.D. EG 2 5/8	B2042 ZN	9EOD0262G	N/A	FS-1200-2 5/8	SCO 0262EG	C1101-2 5/8	2419
GC111275	AS 1200 O.D. EG 2 3/4	B2043 ZN	9EOD0275G	N/A	FS-1200-2 3/4	SCO 0275EG	C1101-2 3/4	2420
GC111287	AS 1200 O.D. EG 2 7/8	B2014 ZN	9EOD0287G	N/A	FS-1200-2 7/8	SCO 0287EG	C1101-2 7/8	N/A
GC111300	AS 1200 O.D. EG 3	B2045 ZN	9EOD0300G	N/A	FS-1200-3	SCO 0300EG	C1101-3	2421
GC111312	AS 1200 O.D. EG 3 1/8	B2046 ZN	9EOD0312G	N/A	FS-1200-3 1/8	SCO 0312EG	C1101-3 1/8	2422
GC111325	AS 1200 O.D. EG 3 1/4	B2047 ZN	9EOD0325G	N/A	FS-1200-3 1/4	SCO 0325EG	C1101-3 1/4	2423
GC111337	AS 1200 O.D. EG 3 3/8	B2048 ZN	9EOD0337G	N/A	FS-1200-3 3/8	SCO 0337EG	C1101-3 3/8	2424
GC111350	AS 1200 O.D. EG 3 1/2	B2015 ZN	9EOD0350G	N/A	FS-1200-3 1/2	SCO 0350EG	C1101-3 1/2	N/A
GC111362	AS 1200 O.D. EG 3 5/8	B2050 ZN	9EOD0362G	N/A	FS-1200-3 5/8	SCO 0362EG	C1101-3 5/8	2425

NOTE: **ACCESSORIES - Measurements may not be an exact match.

STRUT INDUSTRY PRODUCT CODES »

ACCESSORIES

CONDUIT CLAMPS - STANDARD - RIGID »

G-STRUT®	POWER/ATKORE	PUPCO	SASCO	SUPERSTRUT/ ABB	UNISTRUT/ATKORE	VERSABAR/ZSI	WESANCO/ZSI
GC112037	PS 1100 3/8	-	S38R	702-3/8	P1109	VP-1037	W-6125
GC112050	N/A	-	N/A	N/A	N/A	N/A	N/A
GC112050ASMBL	PS 1100 1/2	-	S12R	702-1/2 EG	P1111 AS	VP-1050	W-6126
GC112075	N/A	-	N/A	N/A	N/A	N/A	N/A
GC112075ASMBL	PS 1100 3/4	-	S34R	702-3/4 EG	P1112 AS	VP-1075	W-6128
GC112100	N/A	-	N/A	N/A	N/A	N/A	N/A
GC112100ASMBL	PS 1100 1	-	S1R	702-1 EG	P1113 AS	VP-1100	W-6130
GC112125	N/A	-	N/A	N/A	N/A	N/A	N/A
GC112125ASMBL	PS 1100 1 1/4	-	S114R	702-1 1/4 EG	P1114 AS	VP-1125	W-6132
GC112150	N/A	-	N/A	N/A	N/A	N/A	N/A
GC112150ASMBL	PS 1100 1 1/2	-	S112R	702-1 1/2 EG	P1115 AS	VP-1150	W-6134
GC112200	N/A	-	N/A	N/A	N/A	N/A	N/A
GC112200ASMBL	PS 1100 2	-	S2R	702-2-STR-EG	P1117 AS	VP-1200	W-6138
GC112250	N/A	-	N/A	N/A	N/A	N/A	N/A
GC112250ASMBL	PS 1100 2 1/2	-	S212R	702-2 1/2 EG	P1118 AS	VP-1250	W-6142
GC112300	N/A	-	N/A	N/A	N/A	N/A	N/A
GC112300ASMBL	PS 1100 3	-	S3R	702-3 EG	P1119 AS	VP-1300	W-6146
GC112350	N/A	-	N/A	N/A	N/A	N/A	N/A
GC112350ASMBL	PS 1100 3 1/2	-	S312R	702-3 1/2 EG	P1120 AS	VP-1350	W-6150
GC112400	N/A	-	N/A	N/A	N/A	N/A	N/A
GC112400ASMBL	PS 1100 4	-	S4R	702-4 EG	P1121 AS	VP-1400	W-6154
GC112500	PS 1100 5	-	S5R	702-5 EG	P1123	VP-1500	W-6162
GC112600	PS 1100 6	-	S6R	702-6 EG	P1124	VP-1600	W-6170
GC112800	PS 1100 8	-	S8R	702-8 EG	P1126	VP-1800	W-6174
GC1121000	PS 1100 10	-	N/A	702-10 EG	N/A	N/A	W-6176

CONDUIT CLAMPS - UNIVERSAL »

G-STRUT®	POWER/ATKORE	PUPCO	SASCO	SUPERSTRUT/ ABB	UNISTRUT/ATKORE	VERSABAR/ZSI	WESANCO/ZSI
GC114037	N/A	-	N/A	N/A	N/A	N/A	W-6055
GC114050	PS 1300 1/2	-	N/A	N/A	P1211	N/A	N/A
GC114050ASMBL	N/A	-	N/A	703-1/2 EG	P1211 AS	VP-9050	W-6056
GC114075	PS 1300 3/4	-	N/A	N/A	N/A	N/A	N/A
GC114075ASMBL	N/A	-	N/A	703-3/4 EG	P1212 AS	VP-9075	W-6058
GC114100	PS 1300 1	-	N/A	N/A	N/A	N/A	N/A
GC114100ASMBL	N/A	-	N/A	703-1 EG	P1213 AS	VP-9100	W-6060
GC114125	PS 1300 1 1/4	-	N/A	N/A	N/A	N/A	N/A
GC114125ASMBL	N/A	-	N/A	703-1 1/4 EG	P1214 AS	VP-9125	W-6062
GC114150	PS 1300 1 1/2	-	N/A	N/A	N/A	N/A	N/A
GC114150ASMBL	N/A	-	N/A	703-1 1/2 EG	P1215 AS	VP-9150	W-6064
GC114200	PS 1300 2	-	N/A	N/A	N/A	N/A	N/A
GC114200ASMBL	N/A	-	N/A	703-2 EG	P1217 AS	VP-9200	W-6068

CONDUIT CLAMPS - O.D. TUBING »

G-STRUT®	POWER/ATKORE	PUPCO	SASCO	SUPERSTRUT/ ABB	UNISTRUT/ATKORE	VERSABAR/ZSI	WESANCO/ZSI
GC111025	PS 1200-1/4	-	S14OD	701-1/4 EG	P2024	VT-1025	W-6224
GC111037	PS 1200-3/8	-	S38OD	701-3/8 EG	P2025	VT-1037	W-6225
GC111050	PS 1200-1/2	-	S12OD	701-1/2-STR- EG	P2026	VT-1050	W-6226
GC111062	PS 1200-5/8	-	S58OD	701-5/8 EG	P2027	VT-1062	W-6227
GC111075	PS 1200-3/4	-	S34OD	701-3/4 EG	P2028	VT-1075	W-6228
GC111087	PS 1200-7/8	-	S78OD	701-7/8 EG	P2029	VT-1087	W-6229
GC111100	PS 1200-1	-	S1OD	701-1-STR- EG	P2030	VT-1100	W-6230
GC111112	PS 1200-1 1/8	-	S118OD	701-1 1/8 EG	P2031	VT-1112	W-6231
GC111125	PS 1200-1 1/4	-	S114OD	701-1 1/4 EG	P2032	VT-1125	W-6232
GC111137	PS 1200-1 3/8	-	S138OD	701-1 3/8 EG	P2033	VT-1137	W-6233
GC111150	PS 1200-1 1/2	-	S112OD	701-1 1/2 EG	P2034	VT-1150	W-6234
GC111162	PS 1200-1 5/8	-	S158OD	701-1 5/8 EG	P2035	VT-1162	W-6235
GC111175	PS 1200-1 3/4	-	N/A	701-1 3/4 EG	P1430	VT-1175	W-6034
GC111187	PS 1200-1 7/8	-	S178OD	701-1 7/8 EG	P2037	VT-1187	W-6237
GC111200	PS 1200-2	-	S2OD	701-2 EG	P2038	VT-1200	W-6238
GC111212	PS 1200-2 1/8	-	S218OD	701-2 1/8 EG	P2039	VT-1212	W-6239
GC111225	PS 1200-2 1/4	-	S214OD	701-2 1/4 EG	P2040	VT-1225	W-6240
GC111237	PS 1200-2 1/8	-	N/A	701-2 3/8 EG	P1117	VT-1237	W-6138
GC111250	PS 1200-2 1/2	-	S212OD	701-2 1/2 EG	P2042	VT-1250	W-6242
GC111262	PS 1200-2 5/8	-	S258OD	701-2 5/8 EG	P2043	VT-1262	W-6243
GC111275	PS 1200-2 3/4	-	S234OD	701-2 3/4 EG	P2044	VT-1275	W-6244
GC111287	PS 1200-2 7/8	-	N/A	701-2 7/8 EG	P1118	VT-1287	W-6142
GC111300	PS 1200-3	-	S3OD	701-3 EG	P2046	VT-1300	W-6246
GC111312	PS 1200 3 1/8	-	S318OD	701-3 1/8 EG	P2047	VT-1312	W-6247
GC111325	PS 1200 3 1/4	-	S314OD	701-3 1/4 EG	P2048	VT-1325	W-6248
GC111337	PS 1200 3 3/8	-	S338OD	701-3 3/8 EG	P2049	VT-1337	W-6249
GC111350	PS 1200 3 1/2	-	N/A	701-3 1/2 EG	P1119	VT-1350	W-6146
GC111362	PS 1200 3 5/8	-	S358OD	701-3 5/8 EG	P2051	VT-1362	W-6251

NOTE: **ACCESSORIES - Measurements may not be an exact match.

STRUT INDUSTRY PRODUCT CODES »

ACCESSORIES

CONDUIT CLAMPS - O.D. TUBING » (continued)

#	G-STRUT®	ANVIL	B-LINE/EATON	ELITE	ERICO/NVENT	FLEX-STRUT	FLORIDA/ZSI	HAYDON	PHD
GC111362	AS 1200 O.D. EG 3 5/8	B2050 ZN	9EOD0362G	N/A	FS-1200-3 5/8	SCO 0362EG	C1101-3 5/8	2425	
GC111375	AS 1200 O.D. EG 3 3/4	B2051 ZN	9EOD0375G	N/A	FS-1200-3 3/4	SCO 0375EG	C1101-3 3/4	2426	
GC111387	AS 1200 O.D. EG 3 7/8	B2052 ZN	9EOD0387G	N/A	FS-1200-3 7/8	SCO 0387EG	C1101-3 7/8	2427	
GC111400	AS 1200 O.D. EG 4	B2016 ZN	9EOD0400G	N/A	FS-1200-4	SCO 0400EG	C1101-4	N/A	
GC111412	AS 1200 O.D. EG 4 1/8	B2054 ZN	9EOD0412G	N/A	FS-1200-4 1/8	SCO 0412EG	C1101-4 1/8	2428	
GC111425	AS 1200 O.D. EG 4 1/4	B2055 ZN	9EOD0425G	N/A	FS-1200-4 1/4	SCO 0425EG	C1101-4 1/4	2429	
GC111437	AS 1200 O.D. EG 4 3/8	B2056 ZN	9EOD0437G	N/A	FS-1200-4 3/8	SCO 0437EG	C1101-4 3/8	2430	
GC111450	AS 1200 O.D. EG 4 1/2	B2017 ZN	9EOD0450G	N/A	FS-1200-4 1/2	SCO 0450EG	C1101-4 1/2	N/A	
GC111462	AS 1200 O.D. EG 4 5/8	B2058 ZN	9EOD0462G	N/A	FS-1200-4 5/8	SCO 0462EG	C1101-4 5/8	2431	
GC111475	AS 1200 O.D. EG 4 3/4	B2059 ZN	9EOD0475G	N/A	FS-1200-4 3/4	SCO 0475EG	C1101-4 3/4	2432	
GC111487	AS 1200 O.D. EG 4 7/8	B2060 ZN	9EOD0487G	N/A	FS-1200-4 7/8	SCO 0487EG	C1101-4 7/8	2433	
GC111500	AS 1200 O.D. EG 5	B2018 ZN	9EOD0500G	N/A	FS-1200-5	SCO 0500EG	C1101-5	2434	
GC111512	AS 1200 O.D. EG 5 1/8	B2062 ZN	9EOD0512G	N/A	FS-1200-5 1/8	SCO 0512EG	C1101-5 1/8	2435	
GC111525	AS 1200 O.D. EG 5 1/4	B2063 ZN	9EOD0525G	N/A	FS-1200-5 1/4	SCO 0525EG	C1101-5 1/4	2436	
GC111537	AS 1200 O.D. EG 5 3/8	B2064 ZN	9EOD0537G	N/A	FS-1200-5 3/8	SCO 0537EG	C1101-5 3/8	2437	
GC111550	AS 1200 O.D. EG 5 1/2	B2019 ZN	9EOD0550G	N/A	FS-1200-5 1/2	SCO 0550EG	C1101-5 1/2	2438	
GC111562	AS 1200 O.D. EG 5 5/8	B2066 ZN	9EOD0562G	N/A	FS-1200-5 5/8	SCO 0562EG	C1101-5 5/8	2439	
GC111575	AS 1200 O.D. EG 5 3/4	B2067 ZN	9EOD0575G	N/A	FS-1200-5 3/4	SCO 0575EG	C1101-5 3/4	2440	
GC111587	AS 1200 O.D. EG 5 7/8	B2068 ZN	9EOD0587G	N/A	FS-1200-5 7/8	SCO 0587EG	C1101-5 7/8	2441	
GC111600	AS 1200 O.D. EG 6	B2069 ZN	9EOD0600G	N/A	FS-1200-6	SCO 0600EG	C1101-6	2442	
GC111612	AS 1200 O.D. EG 6 1/8	B2110 ZN	9EOD0612G	N/A	FS-1200-6 1/8	SCO 0612EG	C1101-6 1/8	2443	
GC111625	AS 1200 O.D. EG 6 1/4	B2111 ZN	9EOD0625G	N/A	FS-1200-6 1/4	SCO 0625EG	C1101-6 1/4	2444	
GC111637	AS 1200 O.D. EG 6 3/8	B2112 ZN	9EOD0637G	N/A	FS-1200-6 3/8	SCO 0637EG	C1101-6 3/8	2445	
GC111650	AS 1200 O.D. EG 6 1/2	B2113 ZN	9EOD0650G	N/A	FS-1200-6 1/2	SCO 0650EG	C1101-6 1/2	2446	
GC111662	AS 1200 O.D. EG 6 5/8	B2020 ZN	9EOD0662G	N/A	N/A	SCO 0662EG	C1101-6 5/8	N/A	
GC111675	AS 1200 O.D. EG 6 3/4	B2115 ZN	9EOD0675G	N/A	FS-1200-6 3/4	SCO 0675EG	C1101-6 3/4	2447	
GC111687	AS 1200 O.D. EG 6 7/8	B2116 ZN	9EOD0687G	N/A	FS-1200-6 7/8	SCO 0687EG	C1101-6 7/8	2448	
GC111700	AS 1200 O.D. EG 7	B2117 ZN	9EOD0700G	N/A	FS-1200-7	SCO 0700EG	C1101-7	2449	
GC111712	AS 1200 O.D. EG 7 1/8	B2118 ZN	9EOD0712G	N/A	FS-1200-7 1/8	SCO 0712EG	C1101-7 1/8	2450	
GC111725	AS 1200 O.D. EG 7 1/4	B2119 ZN	9EOD0725G	N/A	FS-1200-7 1/4	SCO 0725EG	C1101-7 1/4	2451	
GC111737	AS 1200 O.D. EG 7 3/8	B2120 ZN	9EOD0737G	N/A	FS-1200-7 3/8	SCO 0737EG	C1101-7 3/8	2452	
GC111750	AS 1200 O.D. EG 7 1/2	B2121 ZN	9EOD0750G	N/A	FS-1200-7 1/2	SCO 0750EG	N/A	2453	
GC111762	AS 1200 O.D. EG 7 5/8	B2021 ZN	9EOD0762G	N/A	FS-1200-7 5/8	SCO 0762EG	C1101-7 5/8	2454	
GC111775	AS 1200 O.D. EG 7 3/4	B2123 ZN	9EOD0775G	N/A	FS-1200-7 3/4	SCO 0775EG	N/A	2455	
GC111787	AS 1200 O.D. EG 7 7/8	B2124 ZN	9EOD0787G	N/A	FS-1200-7 7/8	SCO 0787EG	C1101-7 7/8	2456	
GC111800	AS 1200 O.D. EG 8	B2125 ZN	9EOD0800G	N/A	FS-1200-8	SCO 0800EG	C1101-8	2457	

CUSHION CLAMPS - TUBE »

#	G-STRUT®	ANVIL	B-LINE/EATON	ELITE	ERICO/NVENT	FLEX-STRUT	FLORIDA/ZSI	HAYDON	PHD
GC1025	AS 0040D	BVT025 ZN	9STCC025G	N/A	FS-1400-025	CCT 0025YC	C100025	2501	
GC1037	AS 0060D	BVT037 ZN	9STCC037G	N/A	FS-1400-037	CCT 0037YC	C100037	2502	
GC1050	AS 0080D	BVT050 ZN	9STCC050G	N/A	FS-1400-050	CCT 0050YC	C100050	2503	
GC1062	AS 0100D	BVT062 ZN	9STCC062G	N/A	FS-1400-062	CCT 0062YC	C100062	2504	
GC1075	AS 0120D	BVT075 ZN	9STCC075G	N/A	FS-1400-075	CCT 0075YC	C100075	2505	
GC1087	AS 0140D	BVT087 ZN	9STCC087G	N/A	FS-1400-087	CCT 0087YC	C100087	2506	
GC1100	AS 0160D	BVT100 ZN	9STCC100G	N/A	FS-1400-100	CCT 0100YC	C100100	N/A	
GC1112	AS 0180D	BVT112 ZN	9STCC112G	N/A	FS-1400-112	CCT 0112YC	C100112	2507	
GC1125	AS 0200D	BVT125 ZN	9STCC125G	N/A	FS-1400-125	CCT 0125YC	C100125	N/A	
GC1137	AS 0220D	BVT137 ZN	9STCC137G	N/A	FS-1400-137	CCT 0137YC	C100137	2508	
GC1150	AS 0240D	BVT150 ZN	N/A	N/A	FS-1400-150	CCT 0150YC	C100150	N/A	
GC1162	AS 0260D	BVT162 ZN	9STCC162G	N/A	FS-1400-162	CCT 0162YC	C100162	2509	
GC1175	AS 0280D	BVT175 ZN	N/A	N/A	FS-1400-175	CCT 0175YC	C100175	N/A	
GC1187	N/A	BVT187 ZN	N/A	N/A	FS-1400-187	CCT 0187YC	C100187	N/A	
GC1200	AS 0320D	BVT200 ZN	N/A	N/A	FS-1400-200	CCT 0200YC	C100200	N/A	
GC1212	AS 0340D	BVT212 ZN	9STCC212G	N/A	FS-1400-212	CCT 0212YC	C100212	2510	
GC1237	N/A	N/A	N/A	N/A	FS-1400-237	N/A	C100237	N/A	
GC1262	AS 0420D	BVT262 ZN	9STCC262G	N/A	FS-1400-262	CCT 0262YC	C100262	2511	
GC1300	AS 0480D	BVT300 ZN	N/A	N/A	FS-1400-300	N/A	C100300	N/A	
GC1312	AS 0500D	BVT312 ZN	9STCC312G	N/A	FS-1400-312	CCT 0312YC	C100312	2512	
GC1362	AS 0580D	BVT362 ZN	N/A	N/A	FS-1400-362	CCT 0362YC	C100362	N/A	
GC1412	AS 0660D	BVT412 ZN	9STCC412G	N/A	FS-1400-412	CCT 0412YC	C100412	2514	

CUSHION CLAMPS - PIPE »

#	G-STRUT®	ANVIL	B-LINE/EATON	ELITE	ERICO/NVENT	FLEX-STRUT	FLORIDA/ZSI	HAYDON	PHD
GC2025	AS 009P	BVP025 ZN	N/A	PCC0025EG	FS-1400P-025	N/A	C200025	N/A	
GC2037	AS 011P	BVP037 ZN	N/A	PCC0037EG	FS-1400P-037	CCP 0370YC	C200037	N/A	
GC2050	AS 014P	BVP050 ZN	N/A	PCC0050EG	FS-1400P-050	CCP 0050YC	C200050	N/A	
GC2075	AS 017P	BVP075 ZN	N/A	PCC0075EG	FS-1400P-075	CCP 0075YC	C200075	N/A	
GC2100	AS 021P	BVP100 ZN	N/A	PCC0100EG	FS-1400P-100	CCP 0100YC	C200100	N/A	
GC2125	AS 027P	BVP125 ZN	N/A	PCC0125EG	FS-1400P-125	CCP 0125YC	C200125	N/A	
GC2150	AS 0300DP	BVP150 ZN	N/A	PCC0150EG	FS-1400P-150	CCP 0150YC	C200150	N/A	
GC2200	AS 0380DP	BVP200 ZN	N/A	PCC0200EG	FS-1400P-200	CCP 0200YC	C200200	N/A	
GC2250	AS 0460DP	BVP250 ZN	N/A	PCC0250EG	FS-1400P-250	CCP 0250YC	C200250	N/A	
GC2300	AS 0560D	BVP300 ZN	N/A	PCC0300EG	FS-1400P-300	CCP 0300YC	C200300	N/A	
GC2350	AS 0640DP	BVP350 ZN	N/A	PCC0350EG	FS-1400P-350	CCP 0350YC	C200350	N/A	
GC2400	AS 0700DP	BVP400 ZN	N/A	PCC0400EG	FS-1400P-400	CCP 0400YC	C200400	N/A	
GC2500	AS 089P	BVP500 ZN	N/A	PCC0500EG	FS-1400P-500	CCP 0500YC	C200500	N/A	
GC2600	AS 106P	BVP600 ZN	N/A	PCC0600EG	FS-1400P-600	N/A	C200600	N/A	

NOTE: **ACCESSORIES - Measurements may not be an exact match.

STRUT INDUSTRY PRODUCT CODES »

ACCESSORIES

CONDUIT CLAMPS - O.D. TUBING » *(continued)*

G-STRUT®	POWER/ATKORE	PUPCO	SASCO	SUPERSTRUT/ ABB	UNISTRUT/ATKORE	VERSABAR/ZSI	WESANCO/ZSI
GC111362	PS 1200 3 5/8	-	S3580D	701-3 5/8 EG	P2051	VT-1362	W-6251
GC111375	PS 1200 3 3/4	-	S334OD	701-3 3/4 EG	P2052	VT-1375	W-6252
GC111387	PS 1200 3 7/8	-	S3780D	701-3 7/8 EG	P2053	VT-1387	W-6253
GC111400	PS 1200 4	-	N/A	701-4 EG EG	P1120	VT-1400	W-6150
GC111412	PS 1200 4 1/8	-	S4180D	701-4 1/8 EG	P2055	VT-1412	W-6255
GC111425	PS 1200 4 1/4	-	S414OD	701-4 1/4 EG	P2056	VT-1425	W-6256
GC111437	PS 1200 4 3/8	-	S4380D	701-4 3/8 EG	P2057	VT-1437	W-6257
GC111450	PS 1200 4 1/2	-	N/A	701-4 1/2 EG	P1121	VT-1450	W-6154
GC111462	PS 1200 4 5/8	-	S4580D	701-4 5/8 EG	P2059	VT-1462	W-6259
GC111475	PS 1200 4 3/4	-	S434OD	701-4 3/4 EG	P2060	VT-1475	W-6260
GC111487	PS 1200 4 7/8	-	S4780D	701-4 7/8 EG	P2061	VT-1487	W-6261
GC111500	PS 200-5	-	S50D	701-5 EG	P2062	VT-1500	W-6262
GC111512	PS 1200-5 1/8	-	-	701-5 1/8 EG	P2063	VT-1512	W-6263
GC111525	PS 1200-5 1/4	-	-	701-5 1/4 EG	P2064	VT-1525	W-6264
GC111537	PS 1200-5 3/8	-	-	701-5 3/8 EG	P2065	VT-1537	W-6265
GC111550	PS 1200-5 1/2	-	-	701-5 1/2 EG	P2066	VT-1550	W-6266
GC111562	PS-1200-5 5/8	-	-	701-5 5/8 EG	P2067	VT-1562	W-6267
GC111575	PS-1200-5 3/4	-	-	701-5 3/4 EG	P2068	VT-1575	W-6268
GC111587	PS-1200-5 7/8	-	-	701-5 7/8 EG	P2069	VT-1587	W-6269
GC111600	PS-1200 6	-	-	701-6 EG	P2070	VT-1622	W-6270
GC111612	PS-1200 6 1/8	-	-	701-6 1/8 EG	P2070-61	VT-1612	N/A
GC111625	PS-1200 6 1/4	-	-	701-6 1/4 EG	P2070-62	VT-1625	N/A
GC111637	PS-1200 6 3/8	-	-	701-6 3/8 EG	P2070-63	VT-1637	N/A
GC111650	PS-1200 6 1/2	-	-	701-6 1/2 EG	P2070-64	VT-1650	N/A
GC111662	PS-1200 6 5/8	-	-	701-6 5/8 EG	P1124	VT-1662	N/A
GC111675	PS-1200 6 3/4	-	-	701-6 3/4 EG	P2070-66	VT-1675	N/A
GC111687	PS-1200 6 7/8	-	-	701-6 7/8 EG	P2070-67	VT-1687	N/A
GC111700	PS-1200 7	-	-	N/A	P2070-70	VT-1700	N/A
GC111712	PS-1200 7 1/8	-	-	N/A	P2070-71	VT-1712	N/A
GC111725	PS-1200 7 1/4	-	-	N/A	P2070-72	VT-1725	N/A
GC111737	PS-1200 7 3/8	-	-	N/A	P2070-73	VT-1737	N/A
GC111750	PS-1200 7 1/2	-	-	N/A	P2070-74	VT-1750	N/A
GC111762	PS-1200 7 5/8	-	-	N/A	P2070-75	VT-1762	N/A
GC111775	PS-1200 7 3/4	-	-	N/A	P2070-76	VT-1775	N/A
GC111787	PS-1200 7 7/8	-	-	N/A	P2070-77	VT-1787	N/A
GC111800	PS-1200 8	-	-	701-8 EG	P2070-80	VT-1800	W-6274

CUSHION CLAMPS - TUBE »

G-STRUT®	POWER/ATKORE	PUPCO	SASCO	SUPERSTRUT/ ABB	UNISTRUT/ATKORE	VERSABAR/ZSI	WESANCO/ZSI
GC1025	PS 004T	-	N/A	A-716-1/4 EG	004T008	N/A	100025
GC1037	PS 006T	-	N/A	A-716-3/8 EG	006T010	N/A	100037
GC1050	PS 008T	-	N/A	A-716-1/2 EG	008T012	N/A	100050
GC1062	PS 010T	-	N/A	A-716-5/8 EG	010T014	N/A	100062
GC1075	PS 012T	-	N/A	A-716-3/4 EG	012T016	N/A	100075
GC1087	PS 014T	-	N/A	A-716-7/8 EG	014T018	N/A	100087
GC1100	PS 016T	-	N/A	A-716-1 EG	016T020	N/A	100100
GC1112	PS 018T	-	N/A	A-716-1 1/8 EG	018T022	N/A	100112
GC1125	PS 020T	-	N/A	A-716-1 1/4 EG	020T024	N/A	100125
GC1137	PS 022T	-	N/A	A-716-1 3/8 EG	022T026	N/A	100137
GC1150	PS 024N	-	N/A	A-716-1 1/2 EG	024N028	N/A	100150
GC1162	PS 026N	-	N/A	A-716-1 5/8 EG	026N030	N/A	100162
GC1175	PS 028N	-	N/A	A-716-1 3/4 EG	028N032	N/A	100175
GC1187	PS 030N	-	N/A	A-716-1 7/8 EG	030N034	N/A	100187
GC1200	PS 032N	-	N/A	A-716-2 EG	032N036	N/A	100200
GC1212	PS 034N	-	N/A	A-716-2 1/8 EG	034N040	N/A	100212
GC1237	PS 038N	-	N/A	A-716-2 3/8 EG	038N044	N/A	100237
GC1262	PS 042N	-	N/A	A-716-2 5/8 EG	042N048	N/A	100262
GC1300	PS 048N	-	N/A	A-716-3 EG	050N054	N/A	100300
GC1312	PS 050N	-	N/A	A-716-3 1/8 EG	050N056	N/A	100312
GC1362	PS 058N	-	N/A	A-716-3 5/8 EG	058N064	N/A	100362
GC1412	PS 066N	-	N/A	A-716-4 1/8 EG	066N074	N/A	100412

CUSHION CLAMPS - PIPE »

G-STRUT®	POWER/ATKORE	PUPCO	SASCO	SUPERSTRUT/ ABB	UNISTRUT/ATKORE	VERSABAR/ZSI	WESANCO/ZSI
GC2025	PS 009N	-	N/A	P-716-1/4 EG	009N012	N/A	200025
GC2037	PS 011N	-	N/A	P-716-3/8 EG	011N014	N/A	200037
GC2050	PS 014N	-	N/A	P-716-1/2 EG	014N018	N/A	200050
GC2075	PS 017N	-	N/A	P-716-3/4 EG	017N022	N/A	200075
GC2100	PS 021N	-	N/A	P-716-1 EG	021N026	N/A	200100
GC2125	PS 027N	-	N/A	P-716-1 1/4 EG	027N032	N/A	200125
GC2150	PS 030N	-	N/A	P-716-1 1/2 EG	030N034	N/A	200150
GC2200	PS 038N	-	N/A	P-716-2 EG	038N044	N/A	200200
GC2250	PS 046N	-	N/A	P-716-2 1/2 EG	046N052	N/A	200250
GC2300	PS 056N	-	N/A	P-716-3 EG	056N062	N/A	200300
GC2350	PS 064N	-	N/A	P-716-3 1/2 EG	064N072	N/A	200350
GC2400	PS 072N	-	N/A	P-716-4 EG	072N080	N/A	200400
GC2500	PS 089N	-	N/A	N/A	089N096	N/A	200500
GC2600	PS 106N	-	N/A	N/A	106N114	N/A	200600

NOTE: **ACCESSORIES - Measurements may not be an exact match.

STRUT INDUSTRY PRODUCT CODES »

ACCESSORIES

CONDUIT CLAMPS - COPPER PLATED O.D. TUBING »

G-STRUT®	ANVIL	B-LINE/EATON	ELITE	ERICO/NVENT	FLEX-STRUT	FLORIDA/ZSI	HAYDON	PHD
GC111025CT	N/A	B2024DCU	9SCOPC025G	N/A	FS-1200-1/4-C/P	SCC 0025CP	N/A	2301
GC111037CT	N/A	B2025DCU	9SCOPC037G	N/A	FS-1200-3/8-C/P	SCC 0037CP	C-1101-CT 3/8"	2302
GC111050CT	AS 4050-PC	B2026DCU	9SCOPC050G	N/A	FS-1200-1/2-C/P	SCC 0050CP	C-1101-CT 1/2"	2303
GC111062CT	AS 4062-PC	B2027DCU	N/A	N/A	FS-1200-5/8-C/P	N/A	C-1101-CT 5/8"	N/A
GC111075CT	N/A	B2008DCU	PSCOPC075G	N/A	FS-1200-3/4-C/P	SCC 0075CP	C-1101-CT 3/4"	2304
GC111087CT	AS 4087-PC	N/A	N/A	N/A	FS-1200-7/8-C/P	N/A	N/A	N/A
GC111100CT	N/A	B2030DCU	9SCOPC100G	N/A	FS-1200-1-C/P	SCC 0100CP	C-1101-CT 1"	2305
GC111112CT	AS 4112-PC	N/A	N/A	N/A	FS-1200-1 1/8-C/P	N/A	N/A	N/A
GC111125CT	N/A	B2032DCU	9SCOPC125G	N/A	FS-1200-1 1/4-C/P	SCC 0125CP	C-1101-CT 1 1/4"	2306
GC111137CT	AS 4137-PC	N/A	N/A	N/A	FS-1200-1 3/8-C/P	N/A	N/A	N/A
GC111150CT	N/A	B2011DCU	99SCOPC150G	N/A	FS-1200-1 1/2-C/P	SCC 0150CP	C-1101-CT 1 1/2"	2307
GC111162CT	AS 4162-PC	N/A	N/A	N/A	FS-1200-1 5/8-C/P	N/A	N/A	N/A
GC111175CT	N/A	N/A	N/A	N/A	FS-1200-1 3/4-C/P	N/A	N/A	N/A
GC111187CT	N/A	N/A	N/A	N/A	FS-1200-1 7/8-C/P	N/A	N/A	N/A
GC111200CT	N/A	B2038DCU	9SCOPC200G	N/A	FS-1200-2-C/P	SCC 0200CP	C-1101-CT 2"	2308
GC111212CT	AS 4212-PC	N/A	N/A	N/A	FS-1200-2 1/8-C/P	N/A	N/A	N/A
GC111225CT	N/A	N/A	N/A	N/A	FS-1200-2 1/4-C/P	N/A	N/A	N/A
GC111237CT	N/A	N/A	N/A	N/A	FS-1200-2 3/8-C/P	N/A	N/A	N/A
GC111250CT	N/A	B2042DCU	9SCOPC250G	N/A	FS-1200-2 1/2-C/P	SCC 0250CP	C-1101-CT 2 1/2"	2309
GC111262CT	AS 4262-PC	N/A	N/A	N/A	FS-1200-2 5/8-C/P	N/A	N/A	N/A
GC111275CT	N/A	N/A	N/A	N/A	FS-1200-2 3/4-C/P	N/A	N/A	N/A
GC111287CT	N/A	N/A	N/A	N/A	FS-1200-2 7/8-C/P	N/A	N/A	N/A
GC111300CT	N/A	B2046DCU	9SCOPC300G	N/A	FS-1200-3-C/P	SCC 0300CP	C-1101-CT 3"	2310
GC111312CT	N/A	N/A	N/A	N/A	FS-1200-3 1/8-C/P	N/A	N/A	N/A
GC111325CT	N/A	N/A	N/A	N/A	FS-1200-3 1/4-C/P	N/A	N/A	N/A
GC111337CT	N/A	N/A	N/A	N/A	FS-1200-3 3/8-C/P	N/A	N/A	N/A
GC111350CT	N/A	B2050DCU	N/A	N/A	FS-1200-3 1/2-C/P	SCC 0350CP	C-1101-CT 3 1/2"	2311
GC111362CT	N/A	N/A	N/A	N/A	FS-1200-3 5/8-C/P	N/A	N/A	N/A
GC111375CT	N/A	N/A	N/A	N/A	FS-1200-3 3/4-C/P	N/A	N/A	N/A
GC111387CT	N/A	N/A	N/A	N/A	FS-1200-3 7/8-C/P	N/A	N/A	N/A
GC111400CT	N/A	B2054DCU	9SCOPC400G	N/A	FS-1200-4-C/P	SCC 0400CP	C-1101-CT 4"	2312
GC111412CT	N/A	N/A	N/A	N/A	FS-1200-4 1/8-C/P	N/A	N/A	N/A
GC111425CT	N/A	N/A	N/A	N/A	FS-1200-4 1/4-C/P	N/A	N/A	N/A
GC111437CT	N/A	N/A	N/A	N/A	FS-1200-4 3/8-C/P	N/A	N/A	N/A
GC111450CT	N/A	N/A	N/A	N/A	FS-1200-4 1/2-C/P	N/A	N/A	N/A
GC111462CT	N/A	N/A	N/A	N/A	FS-1200-4 5/8-C/P	N/A	N/A	N/A
GC111475CT	N/A	N/A	N/A	N/A	FS-1200-4 3/4-C/P	N/A	N/A	N/A
GC111487CT	N/A	N/A	N/A	N/A	FS-1200-4 7/8-C/P	N/A	N/A	N/A
GC111500CT	N/A	B2062DCU	N/A	N/A	FS-1200-5-C/P	SCC 0500CP	C-1101-CT 5"	2313
GC111512CT	N/A	N/A	N/A	N/A	FS-1200-5 1/8-C/P	N/A	N/A	N/A
GC111525CT	N/A	N/A	N/A	N/A	FS-1200-5 1/4-C/P	N/A	N/A	N/A
GC111537CT	N/A	N/A	N/A	N/A	FS-1200-5 3/8-C/P	N/A	N/A	N/A
GC111550CT	N/A	N/A	N/A	N/A	FS-1200-5 1/2-C/P	N/A	N/A	N/A
GC111562CT	N/A	N/A	N/A	N/A	FS-1200-5 5/8-C/P	N/A	N/A	N/A
GC111575CT	N/A	N/A	N/A	N/A	FS-1200-5 3/4-C/P	N/A	N/A	N/A
GC111587CT	N/A	N/A	N/A	N/A	FS-1200-5 7/8-C/P	N/A	N/A	N/A
GC111600CT	N/A	B2110DCU	N/A	N/A	FS-1200-6-C/P	SCC 0600CP	C-1101-CT 6"	2314
GC111612CT	N/A	N/A	N/A	N/A	FS-1200-6 1/8-C/P	N/A	N/A	N/A
GC111625CT	N/A	N/A	N/A	N/A	FS-1200-6 1/4-C/P	N/A	N/A	N/A
GC111637CT	N/A	N/A	N/A	N/A	FS-1200-6 3/8-C/P	N/A	N/A	N/A
GC111650CT	N/A	N/A	N/A	N/A	FS-1200-6 1/2-C/P	N/A	N/A	N/A
GC111662CT	N/A	N/A	N/A	N/A	N/A	N/A	N/A	N/A
GC111675CT	N/A	N/A	N/A	N/A	FS-1200-6 3/4-C/P	N/A	N/A	N/A
GC111687CT	N/A	N/A	N/A	N/A	FS-1200-6 7/8-C/P	N/A	N/A	N/A
GC111700CT	N/A	N/A	N/A	N/A	FS-1200-7-C/P	N/A	C-1101-CT 7"	N/A
GC111712CT	N/A	N/A	N/A	N/A	FS-1200-7 1/8-C/P	N/A	N/A	N/A
GC111725CT	N/A	N/A	N/A	N/A	FS-1200-7 1/4-C/P	N/A	N/A	N/A
GC111737CT	N/A	N/A	N/A	N/A	FS-1200-7 3/8-C/P	N/A	N/A	N/A
GC111750CT	N/A	N/A	N/A	N/A	FS-1200-7 1/2-C/P	N/A	N/A	N/A
GC111762CT	N/A	N/A	N/A	N/A	FS-1200-7 5/8-C/P	N/A	N/A	N/A
GC111775CT	N/A	N/A	N/A	N/A	FS-1200-7 3/4-C/P	N/A	N/A	N/A
GC111787CT	N/A	N/A	N/A	N/A	FS-1200-7 7/8-C/P	N/A	N/A	N/A
GC111800CT	N/A	B2126DCU	N/A	N/A	FS-1200-8-C/P	SCC 0800CP	C-1101-CT 8"	N/A

NOTE: **ACCESSORIES - Measurements may not be an exact match.

STRUT INDUSTRY PRODUCT CODES »

ACCESSORIES

CONDUIT CLAMPS - COPPER PLATED O.D. TUBING »

G-STRUT®	POWER/ATKORE	PUPCO	SASCO	SUPERSTRUT/ ABB	UNISTRUT/ATKORE	VERSABAR/ZSI	WESANCO/ZSI
GC111025CT	PS 1200 CC 1/4	-	N/A	N/A	P2024CC	VT-1025-CP	W-6224C/P
GC111037CT	PS 1200 CC 3/8	-	N/A	N/A	P2025CC	VT-1037-CP	W-6225C/P
GC111050CT	PS 1200 CC 1/2	-	N/A	N/A	P2026CC	VT-1050-CP	W-6226C/P
GC111062CT	PS 1200 CC 5/8	-	N/A	N/A	P2027CC	VT-1062-CP	W-6227C/P
GC111075CT	PS 1200 CC 3/4	-	N/A	N/A	P2028CC	VT-1075-CP	W-6228C/P
GC111087CT	PS 1200 CC 7/8	-	N/A	N/A	P2029CC	VT-1087-CP	W-6229C/P
GC111100CT	PS 1200 CC 1	-	N/A	N/A	P2030CC	VT-1100-CP	W-6230C/P
GC111112CT	PS 1200 CC 1 1/8	-	N/A	N/A	P2031CC	VT-1112-CP	W-6231C/P
GC111125CT	PS 1200 CC 1 1/4	-	N/A	N/A	P2032CC	VT-1125-CP	W-6232C/P
GC111137CT	PS 1200 CC 1 3/8	-	N/A	N/A	P2033CC	VT-1137-CP	W-6233C/P
GC111150CT	PS 1200 CC 1 1/2	-	N/A	N/A	P2034CC	VT-1150-CP	W-6234C/P
GC111162CT	PS 1200 CC 1 5/8	-	N/A	N/A	P2035CC	VT-1162-CP	W-6235C/P
GC111175CT	PS 1200 CC 1 3/4	-	N/A	N/A	P1430CC	VT-1175-CP	W-6034C/P
GC111187CT	PS 1200 CC 1 7/8	-	N/A	N/A	P2037CC	VT-1187-CP	W-6237C/P
GC111200CT	PS 1200 CC 2	-	N/A	N/A	P2038CC	VT-1200-CP	W-6238C/P
GC111212CT	PS 1200 CC 2 1/8	-	N/A	N/A	P2039CC	VT-1212-CP	W-6239C/P
GC111225CT	PS 1200 CC 2 1/4	-	N/A	N/A	P2040CC	VT-1225-CP	W-6240C/P
GC111237CT	PS 1200 CC 2 3/8	-	N/A	N/A	P1117CC	VT-1237-CP	W-6138C/P
GC111250CT	PS 1200 CC 2 1/2	-	N/A	N/A	P2042CC	VT-1250-CP	W-6242C/P
GC111262CT	PS 1200 CC 2 5/8	-	N/A	N/A	P2043CC	VT-1262-CP	W-6243C/P
GC111275CT	PS 1200 CC 2 3/4	-	N/A	N/A	P2044CC	VT-1275-CP	W-6244C/P
GC111287CT	PS 1200 CC 2 7/8	-	N/A	N/A	P1118CC	VT-1287-CP	W-6142C/P
GC111300CT	PS 1200 CC 3	-	N/A	N/A	P2046CC	VT-1300-CP	W-6246C/P
GC111312CT	PS 1200 CC 3 1/8	-	N/A	N/A	P2047CC	VT-1312-CP	W-6247C/P
GC111325CT	PS 1200 CC 3 1/4	-	N/A	N/A	P2048CC	VT-1325-CP	W-6248C/P
GC111337CT	PS 1200 CC 3 3/8	-	N/A	N/A	P2049CC	VT-1337-CP	W-6249C/P
GC111350CT	PS 1200 CC 3 1/2	-	N/A	N/A	P1119CC	VT-1350-CP	W-6146C/P
GC111362CT	PS 1200 CC 3 5/8	-	N/A	N/A	P2051CC	VT-1362-CP	W-6251C/P
GC111375CT	PS 1200 CC 3 3/4	-	N/A	N/A	P2052CC	VT-1375-CP	W-6252C/P
GC111387CT	PS 1200 CC 3 7/8	-	N/A	N/A	P2053CC	VT-1387-CP	W-6253C/P
GC111400CT	PS 1200 CC 4	-	N/A	N/A	P1120CC	VT-1400-CP	W-6150C/P
GC111412CT	PS 1200 CC 4 1/8	-	N/A	N/A	P2055CC	VT-1412-CP	W-6255C/P
GC111425CT	PS 1200 CC 4 1/4	-	N/A	N/A	P2056CC	VT-1425-CP	W-6256C/P
GC111437CT	PS 1200 CC 4 3/8	-	N/A	N/A	P2057CC	VT-1437-CP	W-6257C/P
GC111450CT	PS 1200 CC 4 1/2	-	N/A	N/A	P1121CC	VT-1450-CP	W-6154C/P
GC111462CT	PS 1200 CC 4 5/8	-	N/A	N/A	P2059CC	VT-1462-C	W-6259C/P
GC111475CT	PS 1200 CC 4 3/4	-	N/A	N/A	P2060CC	VT-1475-CP	W-6260C/P
GC111487CT	PS 1200 CC 4 7/8	-	N/A	N/A	P2061CC	VT-1487-CP	W-6261C/P
GC111500CT	PS 1200 CC 5	-	N/A	N/A	P2062CC	VT-1500-CP	W-6262C/P
GC111512CT	PS 1200 CC 5 1/8	-	N/A	N/A	P2063CC	VT-1512-CP	W-6263C/P
GC111525CT	PS 1200 CC 5 1/4	-	N/A	N/A	P2064CC	VT-1525-CP	W-6264C/P
GC111537CT	PS 1200 CC 5 3/8	-	N/A	N/A	P2065CC	VT-1537-CP	W-6265C/P
GC111550CT	PS 1200 CC 5 1/2	-	N/A	N/A	P2066CC	VT-1550-CP	W-6266C/P
GC111562CT	PS 1200 CC 5 5/8	-	N/A	N/A	P2067CC	VT-1562-CP	W-6267C/P
GC111575CT	PS 1200 CC 5 3/4	-	N/A	N/A	P2068CC	VT-1575-CP	W-6268C/P
GC111587CT	PS 1200 CC 5 7/8	-	N/A	N/A	P2069CC	VT-1587-CP	W-6269C/P
GC111600CT	PS 1200 CC 6	-	N/A	N/A	P2070CC	VT-1622-CP	W-6270C/P
GC111612CT	PS 1200 CC 6 1/8	-	N/A	N/A	P2070-61CC	VT-1612-CP	N/A
GC111625CT	PS 1200 CC 6 1/4	-	N/A	N/A	P2070-62CC	VT-1625-CP	N/A
GC111637CT	PS 1200 CC 6 3/8	-	N/A	N/A	P2070-63CC	VT-1637-CP	N/A
GC111650CT	PS 1200 CC 6 1/2	-	N/A	N/A	P2070-64CC	VT-1650-CP	N/A
GC111662CT	PS 1200 CC 6 5/8	-	N/A	N/A	P1124CC	VT-1662-CP	N/A
GC111675CT	PS 1200 CC 6 3/4	-	N/A	N/A	P2070-66CC	VT-1675-CP	N/A
GC111687CT	PS 1200 CC 6 7/8	-	N/A	N/A	P2070-67CC	VT-1687-CP	N/A
GC111700CT	PS 1200 CC 7	-	N/A	N/A	P2070-70CC	VT-1700-CP	N/A
GC111712CT	PS 1200 CC 7 1/8	-	N/A	N/A	P2070-71CC	VT-1712-CP	N/A
GC111725CT	PS 1200 CC 7 1/4	-	N/A	N/A	P2070-72CC	VT-1725-CP	N/A
GC111737CT	PS 1200 CC 7 3/8	-	N/A	N/A	P2070-73CC	VT-1737-CP	N/A
GC111750CT	PS 1200 CC 7 1/2	-	N/A	N/A	P2070-74CC	VT-1750-CP	N/A
GC111762CT	PS 1200 CC 7 5/8	-	N/A	N/A	P2070-75CC	VT-1762-CP	N/A
GC111775CT	PS 1200 CC 7 3/4	-	N/A	N/A	P2070-76CC	VT-1775-CP	N/A
GC111787CT	PS 1200 CC 7 7/8	-	N/A	N/A	P2070-77CC	VT-1787-CP	N/A
GC111800CT	PS 1200 CC 8	-	N/A	N/A	P2070-80CC	VT-1800-CP	W-6274C/P

NOTE: **ACCESSORIES - Measurements may not be an exact match.

STRUT INDUSTRY PRODUCT CODES »

ACCESSORIES

2-HOLE PIPE STRAPS »

G-STRUT®	ANVIL	B-LINE/EATON	ELITE	ERICO/NVENT	FLEX-STRUT	FLORIDA/ZSI	HAYDON	PHD
G1108050	AS 3126 EG 1/2	B2400-1/2 ZN	N/A	STR20050EG	FS-7870-1/2	PS2 0050EG	C-1108 1/2"	7251 1/2
G1108075	AS 3126 EG 3/4	B2400-3/4 ZN	N/A	STR20075EG	FS-7870-3/4	PS2 0075EG	C-1108 3/4"	7252 3/4
G1108100	AS 3126 EG 1	B2400-1 ZN	N/A	STR20100EG	FS-7870-1	PS2 0100EG	C-1108 1"	7253 1
G1108125	AS 3126 EG 1 1/4	B2400-1 1/4 ZN	N/A	STR20125EG	FS-7870-1 1/4	PS2 0125EG	C-1108 1 1/4"	7254 1 1/4
G1108150	AS 3126 EG 1 1/2	B2400-1 1/2 ZN	N/A	STR20150EG	FS-7870-1 1/2	PS2 0150EG	C-1108 1 1/2"	7255 1 1/2
G1108200	AS 3126 EG 2	B2400-2 ZN	N/A	STR20200EG	FS-7870-2	PS2 0200EG	C-1108 2"	7256 2
G1108250	AS 3126 EG 2 1/2	B2400-2 1/2 ZN	N/A	STR20250EG	FS-7870-2 1/2	PS2 0250EG	C-1108 2 1/2"	7257 2 1/2
G1108300	AS 3126 EG 3	B2400-3 ZN	N/A	STR20300EG	FS-7870-3	PS2 0300EG	C-1108 3"	7258 3
G1108350	AS 3126 EG 3 1/2	B2400-3 1/2 ZN	N/A	STR20350EG	FS-7870-3 1/2	PS2 0350EG	C-1108 3 1/2"	7259 3 1/2
G1108400	AS 3126 EG 4	B2400-4 ZN	N/A	STR20400EG	FS-7870-4	PS2 0400EG	C-1108 4"	7260 4
G1108500	AS 3126 EG 5	B2400-5 ZN	N/A	STR20500EG	FS-7870-5	PS2 0500EG	C-1108 5"	7261 5
G1108600	AS 3126 EG 6	B2400-6 ZN	N/A	STR20600EG	FS-7870-6	PS2 0600EG	C-1108 6"	7262 6
G1108800	N/A	B2400-8 ZN	N/A	N/A	N/A	N/A	N/A	7263 8

1-HOLE TUBING CLAMP »

G-STRUT®	ANVIL	B-LINE/EATON	ELITE	ERICO/NVENT	FLEX-STRUT	FLORIDA/ZSI	HAYDON	PHD
G1109025	AS 1450 EG 1/4	N/A	N/A	STR0025EG	FS-7730-1/4	TC1 0025EG	C-1109 1/4"	7231 1/4
G1109031	N/A	N/A	N/A	N/A	FS-7730-5/16	TC1 0031EG	C-1109 5-16"	7232 5/16
G1109037	AS 1450 EG 3/8	N/A	N/A	STR0037EG	FS-7730-3/8	TC1 0037EG	C-1109 3/8"	7233 3/8
G1109050	AS 1450 EG 1/2	N/A	N/A	STR0050EG	FS-7730-1/2	TC1 0050EG	C-1109 1/2"	7234 1/2
G1109062	AS 1450 EG 5/8	N/A	N/A	STR0062EG	FS-7730-5/8	TC1 0062EG	C-1109 5/8"	7235 5/8
G1109075	AS 1450 EG 3/4	N/A	N/A	STR0075EG	FS-7730-3/4	TC1 0075EG	C-1109 3/4"	7236 3/4
G1109087	AS 1450 EG 7/8	N/A	N/A	STR0087EG	FS-7730-7/8	TC1 0087EG	C-1109 7/8"	7237 7/8
G1109100	AS 1450 EG 1	N/A	N/A	STR0100EG	FS-7730-1	TC1 0100EG	C-1109 1"	7238 1

CONTINUOUS CONCRETE INSERT »

G-STRUT®	ANVIL	B-LINE/EATON	ELITE	ERICO/NVENT	FLEX-STRUT	FLORIDA/ZSI	HAYDON	PHD
G382IN1	AS 349 W/O 10	B32-1-240 PG	N/A	N/A	FS-7355	FS12138CI-20	H-142-IN-10	4001
G-382IN2	AS 349 W/O 20	N/A	N/A	N/A	FS-7358	N/A	H-142-IN-20	4002
G-382IN12	N/A	N/A	N/A	N/A	FS-7353	N/A	H-142-IN-12	N/A
G132IN1	N/A	B52-1-240 PG	N/A	N/A	N/A	N/A	H-164-IN-10	4101
G132IN2	N/A	N/A	N/A	N/A	N/A	N/A	H-164-IN-20	4102
G132IN12	-	N/A	N/A	N/A	N/A	N/A	H-164-IN-12	N/A
G102IN1	AS 449 W/O 10	N/A	N/A	N/A	N/A	N/A	H-152-IN-10	4201
G102IN2	AS 449 W/O 20	N/A	N/A	N/A	N/A	N/A	H-152-IN-20	4202
G582IN1	N/A	B22-1-240 PG	N/A	N/A	N/A	N/A	N/A	4301
G582IN2	N/A	N/A	N/A	N/A	N/A	N/A	N/A	4302

TYPE A END CAPS »

G-STRUT®	ANVIL	B-LINE/EATON	ELITE	ERICO/NVENT	FLEX-STRUT	FLORIDA/ZSI	HAYDON	PHD
GECPG	N/A	B205 ZN	N/A	ENDCA120EG	FS-5920	EC100000EG	1000-EC-1	4405
GECPG1	N/A	B221 ZN	N/A	N/A	FS-5915	N/A	N/A	N/A
GECPG2	AS 930	B220 ZN	N/A	ENDCC140EG	FS-5935	EC120000EG	N/A	4406

TYPE B END CAPS »

G-STRUT®	ANVIL	B-LINE/EATON	ELITE	ERICO/NVENT	FLEX-STRUT	FLORIDA/ZSI	HAYDON	PHD
GECPG3	N/A	B3322 ZN	N/A	N/A	N/A	C1200000EG	N/A	4470
GECPG4	N/A	B3332 ZN	N/A	N/A	N/A	C1210000EG	N/A	4440
GECPG5	N/A	B3342 ZN	N/A	N/A	N/A	N/A	N/A	4450
GECPG6	N/A	B3352 ZN	N/A	N/A	N/A	N/A	N/A	4460
GECPG7	N/A	N/A	N/A	N/A	N/A	N/A	N/A	N/A
GECPG8	N/A	N/A	N/A	N/A	N/A	N/A	N/A	N/A

STRUT SAFETY END CAP »

G-STRUT®	ANVIL	B-LINE/EATON	ELITE	ERICO/NVENT	FLEX-STRUT	FLORIDA/ZSI	HAYDON	PHD
GEC13	AS 6153 5 WHITE	B852 W	N/A	N/A	N/A	EC080000VC	END CAP-5	N/A
GEC14	AS 6153 3 WHITE	N/A	N/A	N/A	N/A	N/A	END CAP-3	N/A
GEC15	AS 6153 2 WHITE	B822 W	N/A	N/A	FS-5960-2W	EC090000VC	END CAP-2	N/A
GEC16	AS 6153 1 WHITE	B822A W	N/A	N/A	FS-5960-1W	N/A	END CAP-1	N/A

SLOTTED ANGLE »

G-STRUT®	ANVIL	B-LINE/EATON	ELITE	ERICO/NVENT	FLEX-STRUT	FLORIDA/ZSI	HAYDON	PHD
G15410GL	N/A	N/A	N/A	N/A	FA-110 PG	N/A	N/A	N/A
G15412GL	N/A	N/A	N/A	N/A	FA-112 PG	SA0300PG	N/A	N/A
G25410GL	N/A	N/A	N/A	N/A	FA-210 PG	SA0225PG	N/A	N/A
G25412GL	N/A	N/A	N/A	N/A	FA-212 PG	N/A	N/A	N/A
G35210GL	N/A	N/A	N/A	N/A	FA-310 PG	N/A	N/A	N/A
G35212GL	N/A	N/A	N/A	N/A	FA-312 PG	N/A	N/A	N/A

NOTE: **ACCESSORIES - Measurements may not be an exact match.

STRUT INDUSTRY PRODUCT CODES »

ACCESSORIES

2-HOLE PIPE STRAPS »

G-STRUT®	POWER/ATKORE	PUPCO	SASCO	SUPERSTRUT/ ABB	UNISTRUT/ATKORE	VERSABAR/ZSI	WESANCO/ZSI
G1108050	PS 3126 1/2	-	N/A	C-708-U-1/2	P2558-05	VP-4050	W-7826
G1108075	PS 3126 3/4	-	N/A	C-708-U-3/4	P2558-07	VP-4075	W-7828
G1108100	PS 3126 1	-	N/A	C-708-U-1	P2558-10	VP-4100	W-7830
G1108125	PS 3126 1 1/4	-	N/A	C-708-U-1 1/4	P2558-12	VP-4125	W-7832
G1108150	PS 3126 1 1/2	-	N/A	C-708-U-1 1/2	P2558-15	VP-4150	W-7834
G1108200	PS 3126 2	-	N/A	C-708-U-2	P2558-20	VP-4200	W-7838
G1108250	PS 3126 2 1/2	-	N/A	C-708-U-2 1/2	P2558-25	VP-4250	W-7842
G1108300	PS 3126 3	-	N/A	C-708-U-3	P2558-30	VP-4300	W-7846
G1108350	PS 3126 3 1/2	-	N/A	C-708-U-3 1/2	P2558-35	VP-4350	W-7850
G1108400	PS 3126 4	-	N/A	C-708-U-4	P2558-40	VP-44400	W-7854
G1108500	PS 3126 5	-	N/A	C-708-U-5	P2558-50	N/A	W-7862
G1108600	PS 3126 6	-	N/A	C-708-U-6	P2558-60	VP-4600	W-7870
G1108800	N/A	-	N/A	N/A	N/A	N/A	N/A

1-HOLE TUBING CLAMP »

G-STRUT®	POWER/ATKORE	PUPCO	SASCO	SUPERSTRUT/ ABB	UNISTRUT/ATKORE	VERSABAR/ZSI	WESANCO/ZSI
G1109025	PS 1450 1/4	-	N/A	N/A	P2008	VT-2025	W-7724
G1109031	PS 1450 5/16	-	N/A	N/A	P2009	VT-2031	W-7724A
G1109037	PS 1450 3/8	-	N/A	N/A	P2010	VT-2037	W-7725
G1109050	PS 1450 1/2	-	N/A	N/A	P2012	VT-2050	W-7726
G1109062	PS 1450 5/8	-	N/A	N/A	P2014	N/A	W-7727
G1109075	PS 1450 3/4	-	N/A	N/A	P2016	N/A	W-7728
G1109087	PS 1450 7/8	-	N/A	N/A	P2018	N/A	W-7729
G1109100	PS 1450 1	-	N/A	N/A	P2020	N/A	W-7730

CONTINUOUS CONCRETE INSERT »

G-STRUT®	POWER/ATKORE	PUPCO	SASCO	SUPERSTRUT/ ABB	UNISTRUT/ATKORE	VERSABAR/ZSI	WESANCO/ZSI
G382IN1	PS 349 10' CS/EC	N/A	N/A	C-302-10	P3265	VC-6120	W-7355 EG 20
G382IN2	PS 349 20' CS/EC	N/A	N/A	C-302-20	P3270	VC-6240	W-7355 EG 40
G382IN12	PS 349 12' CS/EC	N/A	N/A	N/A	P3266	VC-6144	W-7353 EG 12
G132IN1	N/A	N/A	N/A	B-302-10	P3365	VC-4120	N/A
G132IN2	N/A	N/A	N/A	B-302-20	P3370	VC-4240	N/A
G132IN12	N/A	N/A	N/A	N/A	P3366	VC-4144	N/A
G102IN1	PS 449 10' CS/EC	N/A	S5CI 10 EG	N/A	N/A	VC-10120	W-7555 EG 20
G102IN2	PS 449 20' CS/EC	N/A	N/A	N/A	N/A	VC-10240	W-7558 EG 40
G582IN1	N/A	N/A	S2CI 10 EG	N/A	N/A	VC-1120	W-7255 EG 20
G582IN2	N/A	N/A	N/A	N/A	N/A	VC-1240	W-7258 EG 40

TYPE A END CAPS »

G-STRUT®	POWER/ATKORE	PUPCO	SASCO	SUPERSTRUT/ ABB	UNISTRUT/ATKORE	VERSABAR/ZSI	WESANCO/ZSI
GECPG	PS 655	N/A	S730E-EG	A804	P2407	VF-1001-2	W-5930
GECPG1	PS 2580	N/A	S733E-EG	N/A	N/A	N/A	W-5910
GECPG2	PS 930	N/A	S734E-EG	B804	N/A	VF-1001-4	W-5935

TYPE B END CAPS »

G-STRUT®	POWER/ATKORE	PUPCO	SASCO	SUPERSTRUT/ ABB	UNISTRUT/ATKORE	VERSABAR/ZSI	WESANCO/ZSI
GECPG3	N/A	N/A	N/A	N/A	N/A	N/A	W-5952
GECPG4	N/A	N/A	N/A	N/A	N/A	N/A	W-5953
GECPG5	N/A	N/A	N/A	N/A	N/A	N/A	W-5958
GECPG6	N/A	N/A	N/A	N/A	N/A	N/A	N/A
GECPG7	N/A	N/A	N/A	N/A	P4703	N/A	N/A
GECPG8	N/A	N/A	N/A	N/A	**P1704 (3 17/32)	N/A	N/A

STRUT SAFETY END CAP »

G-STRUT®	POWER/ATKORE	PUPCO	SASCO	SUPERSTRUT/ ABB	UNISTRUT/ATKORE	VERSABAR/ZSI	WESANCO/ZSI
GEC13	N/A	N/A	N/A	A 804 NEOP WH	P2860-10	N/A	W-5935-M
GEC14	N/A	N/A	N/A	N/A	N/A	N/A	N/A
GEC15	N/A	N/A	N/A	B-804-NEOP-WH	P2860-50	N/A	W-5900-M
GEC16	N/A	N/A	N/A	H-804-NEOP-WH	N/A	N/A	N/A

SLOTTED ANGLE »

G-STRUT®	POWER/ATKORE	PUPCO	SASCO	SUPERSTRUT/ ABB	UNISTRUT/ATKORE	VERSABAR/ZSI	WESANCO/ZSI
G15410GL	N/A	N/A	N/A	N/A	N/A	N/A	N/A
G15412GL	N/A	N/A	N/A	N/A	N/A	N/A	N/A
G25410GL	N/A	N/A	N/A	N/A	N/A	N/A	N/A
G25412GL	N/A	N/A	N/A	N/A	N/A	N/A	N/A
G35210GL	N/A	N/A	N/A	N/A	N/A	N/A	N/A
G35212GL	N/A	N/A	N/A	N/A	N/A	N/A	N/A

NOTE: **ACCESSORIES - Measurements may not be an exact match.

NOTES:

SECTION 11

G-STRUT® INDEX

Index includes all products included in the catalog, referring to the name given by **G-STRUT®** and the designated page.

INDEX »

BY CATEGORY

PART # PAGE

CHANNELS

G812 14
 G812H 14
 G812OS 14
 G812LS 14
 G812A 14
 G812KO 14
 G712 15
 G712H 15
 G712OS 15
 G712LS 15
 G712A 15
 G712KO 15
 G582 16
 G582H 16
 G582OS 16
 G582LS 16
 G582A 16
 G582KO 16
 G584 17
 G584H 17
 G584OS 17
 G584LS 17
 G584A 17
 G584KO 17
 G584SS 17
 G382 18
 G382H 18
 G382OS 18
 G382LS 18
 G382A 18
 G382KO 18
 G102 19
 G102H 19
 G102OS 19
 G102LS 19
 G102A 19
 G102KO 19
 G782 20
 G782H 20
 G782OS 20
 G782LS 20
 G782A 20
 G782KO 20
 G132 21
 G132H 21
 G132OS 21
 G132LS 21
 G132A 21
 G132KO 21
 G134 22
 G134H 22
 G134OS 22
 G134LS 22
 G134A 22
 G134KO 22

PART # PAGE

SLOTTED ANGLE

G15410GL 24
 G15412GL 24
 G25410GL 24
 G25412GL 24
 G35210GL 24
 G35212GL 24

REGULAR

CHANNEL NUTS

GN832800 26
 GN1032800 26
 GN1024800 26
 GN800 26
 GN801 26
 GN802 26
 GN803 26
 GN804 26
 GN805 26
 GN806 26
 GN807 26
 GN808 26
 GNM6800 26
 GNM8800 26
 GNM10801 26
 GNM12801 26
 GNM12803 26
 GTSN832800 26
 GTSN1032800 26
 GTSN1024800 26
 GTSN800 26
 GTSN801 26
 GTSN802 26
 GTSN808 26
 GN832810 26
 GN10332810 26
 GN1024810 26
 GN810 26
 GN811 26
 GN812 26
 GN814 26
 GN815 26
 GN818 26
 GNM6810 26
 GNM8810 26
 GNM10811 26
 GNM12811 26
 GN832820 26
 GN1032820 26
 GN1024820 26
 GN820 26
 GN821 26
 GN822 26
 GN823 26
 GN824 26
 GN825 26
 GN828 26
 GN829 26
 GNM6820 26

PART # PAGE

GNM8820 26
 GNM10821 26
 GNM12821 26
 GNM12823 26
 GN832830 26
 GN1032830 26
 GN1024830 26
 GN830 26
 GN831 26
 GN832 26
 GN833 26
 GN834 26
 GN835 26
 GN838 26
 GNM6830 26
 GNM8830 26
 GNM10831 26
 GNM12831 26

SPECIALTY

CHANNEL NUTS

GSTN25100 27
 GSTN25125 27
 GSTN25150 27
 GSTN37100 27
 GSTN37125 27
 GSTN37150 27
 GSTN50100 27
 GSTN50125 27
 GSTN50150 27
 GMN1032N 27
 GMN1024N 27
 GMN025N 27
 GMN832S 27
 GMN1032S 27
 GMN1024S 27
 GMN025S 27
 GMN832 27
 GMN1032 27
 GMN1024 27
 GMN025 27
 GCN800 27
 GCN801 27
 GCN802 27
 GDCN031 27
 GRS375062 27

PART # PAGE

**NUTS, BOLTS,
WASHERS, SWIVELS
& COUPLERS**

GHH25050 28
 GHH25075 28
 GHH25100 28
 GHH375075 28
 GHH375100 28
 GHH375125 28
 GHH375150 28
 GHH375200 28
 GHH375225 28
 GHH50100 28
 GHH50125 28
 GHH50150 28
 GHH50175 28
 GHH50200 28
 GHH50225 28
 GHH50250 28
 GFH062 28
 GFH100 28
 GFH200 28
 GFH225 28
 GFH250 28
 GRH1075 28
 GRH1100 28
 GRH1125 28
 GRH2100 28
 GRH2125 28
 GRH2150 28
 GRH3100 28
 GRH3125 28
 GRH3150 28
 GRH3250 28
 GLW025 28
 GLW375 28
 GLW050 28
 GFW025 28
 GFW375 28
 GFW050 28
 GFDW025 28
 GFDW037 28
 GFDW050 28
 GSN025 28
 GSN3125 28
 GSN375 28
 GSN050 28
 GHN025 28
 GHN3125 28
 GHN375 28
 GHN050 28
 GRC025 28
 GRC037 28
 GRC050 28
 GRC062 28
 GRC075 28
 GSNHM037 28
 GSNHM050 28
 GSNHF037 28

PART # PAGE

GSNHF050 28
 GSNHFF037 28
 GSNHFF050 28
 GSNHFM037 28
 GSNHFM050 28

ALL-THREADED ROD

GAT0256 29
 GAT02510 29
 GAT02512 29
 GAT0316 29
 GAT03110 29
 GAT03112 29
 GAT0376 29
 GAT03710 29
 GAT03712 29
 GAT0506 29
 GAT05010 29
 GAT05012 29
 GAT0626 29
 GAT06210 29
 GAT06212 29
 GAT0756 29
 GAT07510 29
 GAT07512 29
 GAT0876 29
 GAT08710 29
 GAT08712 29
 GAT1006 29
 GAT10010 29
 GAT10012 29
 GAT1126 29
 GAT11210 29
 GAT11212 29
 GAT1256 29
 GAT12510 29
 GAT12512 29

FLAT PLATE

FITTINGS

G203037 32
 G203050 32
 G2033 32
 G2031 32
 G2032 32
 G2051 32
 G206 33
 G2061 33
 G208 33
 G207 33
 G205 33
 G2071 33
 G210 33
 G211 34
 G212 34
 G213 34
 G214 34
 G216 34

INDEX »

BY CATEGORY

PART #	PAGE	PART #	PAGE	PART #	PAGE	PART #	PAGE	PART #	PAGE
G217	34	G348	41	G351	46	G6021	50	G619ASQ	54
G218	35	GACB319	41	G355	46	G6022	50	G621	54
G219	35	GACB320	41	G3261	46	G6023	50	G621A	54
G2191	35	G316	42	G329	46	G610	50	G620	55
G220	35	G3161	42	G328L	47	G612	50	G620FL	55
G221	35	G3171	42	G328R	47	G613	50	G620FL1	55
G222	35	G3172	42	G343L	47			G620FL2	55
		G31001	42	G343R	47	CLEVIS FITTINGS		G620SQ	55
90° ANGLE FITTINGS		G31002	42	G352	47	G6221	51	G620A	55
G3061	36	G3191	43	G356	47	G6222	51	G620AFL	55
G3062	36	G3192	43	G357	47	G6223	51	G620ASQ	55
G3063	36	G3193	43	G3271	47	G6224	51	G620ASQ1	55
G3065	36	G3194	43			G6225	51		
G301	36	G3195	43	Z ANGLE FITTINGS		G6226	51	BRACKET FITTINGS	
G302	36	G3196	43	G323	48	G6227	51	GM601	56
G304	36	G3197	43	G3231	48	G6228	51	GM602	56
G3381	36	G3198	43	G3232	48	G623	51	GM6101	56
G3382	36	G3199	43	G3233	48	G624	51	GM6102	56
G3383	36	G31910	43	G3234	48	G625	51	GM6103	56
G3031	36	G31911	43	G3235	48	G905	51	GM6111	56
G3032	36	G3201	43	G34101	48	G9051	51	GM6112	56
G3033	36	G3202	43	G34102	48			GM6113	56
G306	37	G3203	43	G34103	48	HANGERS & MISC. HARDWARE		GM6114	56
G3060	37	G3204	43	G34104	48	G3461	52	GM6115	56
G3064	37	G3205	43	G345	48	G3462	52	GT6251	56
G3051	37	G3206	43	G347	48	G3463	52	GT6252	56
G3052	37	G3207	43	G322	48	G3464	52	GT6253	56
G311	37	G3208	43	G3221	48	G906	52	G605A	56
G3111	37	G3209	43	G349	48	G9061	52	G605L	56
G3112	37	G32010	43			G9062	52	G605R	56
		G32011	43	SPLICE CHANNEL FITTINGS		G9063	52	GT6091	57
ADJUSTABLE ANGLE FITTINGS		G32001	43	G6070	49	G611	52	GT6092	57
G337	38	G32002	43	G6071	49	G6111	52	GT6093	57
G336	38	G32003	43	G6041	49	G907	52	GT6094	57
G3361	38	G32004	43	G6061	49	G908	52	GT6181	57
G331	38	G32005	43	G6062	49	G909	52	GT6182	57
G334	38	G32006	43	G6063	49	G9091	52	GT6183	57
G315	38	G32007	43	GSJ100	49			GT6184	57
G3151	38	WING FITTINGS		GSJ110	49	PIPE ROLLER & TROLLEY HARDWARE		GT6121	57
G3071	39	G339	44	G606E1	49	G901	53	GT6122	57
G308	39	G312	44	G606E2	49	G902	53	GT6123	57
G309	39	G340	44	G606E3	49	G903	53	GT6124	57
G310	39	G330L	44			G904	53	GT6112	57
G313	39	G330R	44	U FITTINGS		G9042	53	GT6118	57
G314	39	G3411	44	G626	50	G9043	53	GT6118	57
G316L	40	G3412	44	G6262	50	G9044	53	GT61124	57
G316R	40	G321L	45	G6263	50	G9045	53	GT61130	57
G318L	40	G321R	45	G6264	50	G9046	53	GT61136	57
G318R	40	G329L	45	G6265	50	GTR2WH	53	GT61142	57
G335	40	G329R	45	G6091	50	GTR4WH	53	GT6101	57
G335W	40	G32112L	45	G6092	50	GTR4WHU	53	GT6102	57
		G3211R	45	G6093	50			GT6103	57
ANGLE FITTINGS		G326	46	G6094	50	POST BASES		GT6104	57
G3421	41	G327	46	G6095	50	G619	54	GT6105	57
G3422	41	G3281	46	G6096	50	G619FL	54	GT613	58
G332	41	G350	46	G6097	50	G619SQ	54	GT6131	58
		G354	46	G618	50	G619A	54	GT614	58
						G619AFL	54	GT6141	58
								GT615	58
								GT616	58
								GT6171	58
								GT6172	58

INDEX >>

BY CATEGORY

PART #	PAGE	PART #	PAGE	PART #	PAGE	PART #	PAGE	PART #	PAGE				
SHELF BRACKETS		CONDUIT CLAMPS		CUSHION CLAMPS		PIPE CLAMPS							
GT6191	59	GC110050ASMBL	64	GC111412	65	GC1025	66	GC11137CT	67				
GT6192	59	GC110075ASMBL	64	GC111425	65	GC1037	66	GC11162CT	67				
GT6193	59	GC110100ASMBL	64	GC111437	65	GC1050	66	GC11212CT	67				
GT6194	59	GC110125ASMBL	64	GC111450	65	GC1062	66	GC11262CT	67				
GT6231	59	GC110150ASMBL	64	GC111462	65	GC1075	66	GC11312CT	67				
GT6232	59	GC110200ASMBL	64	GC111475	65	GC1087	66	GC11362CT	67				
GT6233	59	GC112050ASMBL	64	GC111487	65	GC1100	66	GC11412CT	67				
GT6206L	59	GC112075ASMBL	64	GC111500	65	GC1112	66	GC11512CT	67				
GT6206R	59	GC112100ASMBL	64	GC111512	65	GC1125	66	GC11612CT	67				
GT6208L	59	GC112125ASMBL	64	GC111525	65	GC1137	66	GC11800CT	67				
GT6208R	59	GC112150ASMBL	64	GC111537	65	GC1150	66						
GT62010L	59	GC112200ASMBL	64	GC111550	65	GC1162	66	PIPE CLAMPS					
GT62010R	59	GC112250ASMBL	64	GC111562	65	GC1175	66	G1109025	68				
GT62112L	60	GC112300ASMBL	64	GC111575	65	GC1187	66	G1109031	68				
GT62112R	60	GC112350ASMBL	64	GC111587	65	GC1187	66	G1109037	68				
GT62114L	60	GC112400ASMBL	64	GC111600	65	GC1200	66	G1109050	68				
GT62114R	60	GC112500ASMBL	64	GC111612	65	GC1212	66	G1109062	68				
GT62116L	60	GC112600ASMBL	64	GC111625	65	GC1237	66	G1109075	68				
GT62116R	60	GC112800ASMBL	64	GC111637	65	GC1262	66	G1109087	68				
GT62118L	60	GC1121000ASMBL	64	GC111650	65	GC1300	66	G1109100	68				
GT62118R	60	GC114050ASMBL	64	GC111662	65	GC1312	66	G1108050	69				
GT62120L	60	GC114075ASMBL	64	GC111675	65	GC1362	66	G1108075	69				
GT62120R	60	GC114100ASMBL	64	GC111687	65	GC1412	66	G1108100	69				
GT62122L	60	GC114125ASMBL	64	GC111700	65	GC2025	66	G1108125	69				
GT62122R	60	GC114150ASMBL	64	GC111712	65	GC2037	66	G1108150	69				
GT62224L	60	GC114200ASMBL	64	GC111725	65	GC2050	66	G1108200	69				
GT62224R	60	GC111025	65	GC111737	65	GC2075	66	G1108250	69				
GT62226L	60	GC111037	65	GC111750	65	GC2100	66	G1108300	69				
GT62226R	60	GC111050	65	GC111762	65	GC2125	66	G1108350	69				
GT62228L	60	GC111062	65	GC111775	65	GC2150	66	G1108400	69				
GT62228R	60	GC111075	65	GC111787	65	GC2200	66	G1108500	69				
GT62230L	60	GC111087	65	GC111800	65	GC2300	66	G1108600	69				
GT62230R	60	GC111087	65	GC111812	65	GC2350	66	G1108800	69				
		GC111100	65	GC111825	65	GC2400	66	GRA050	68				
		GC111112	65	GC111837	65	GC2500	66	GRA075	68				
		GC111125	65	GC111850	65	GC2600	66	GRA100	68				
		GC111137	65	GC111862	65	CONDUIT CLAMPS -							
		GC111150	65	GC111875	65	O.D. TUBING							
		GC111162	65	GC111887	65	GC111037CT	67	GRA125	68				
		GC111175	65	GC111900	65	GC111050CT	67	GRA150	68				
		GC111187	65	GC111912	65	GC111062CT	67	GRA200	68				
		GC111200	65	GC111925	65	GC111087CT	67	GRA250	68				
		GC111212	65	GC111937	65	GC111112CT	67	GRA300	68				
		GC111225	65	GC111950	65	GC111126CT	67	GRA350	68				
		GC111237	65	GC111962	65	GC111137CT	67	GRA400	68				
		GC111250	65	GC111975	65	GC111162CT	67	G1112075	68				
		GC111262	65	GC111987	65	GC111162CT	67	G1112100	68				
		GC111275	65	GC1111000	65	GC111212CT	67	GRCL050PLAIN	69				
		GC111287	65	GC1111012	65	GC111262CT	67	GRCL075PLAIN	69				
		GC111300	65	GC1111025	65	GC111312CT	67	GRCL100PLAIN	69				
		GC111312	65	GC1111037	65	GC111362CT	67	GRCL125PLAIN	69				
		GC111325	65	GC1111050	65	GC111412CT	67	GRCL150PLAIN	69				
		GC111337	65	GC1111062	65	GC111442CT	67	GRCL200PLAIN	69				
		GC111350	65	GC1111075	65	GC111512CT	67	GRCL250PLAIN	69				
		GC111362	65	GC1111087	65	GC111612CT	67	GRCL300PLAIN	69				
		GC111375	65					GC111800CT	67	GRCL350PLAIN	69		
		GC111387	65					GC111037CT	67	GRCL400PLAIN	69		
		GC111400	65					GC111050CT	67	GRCL500PLAIN	69		
										GC111062CT	67	GRCL600PLAIN	69
										GC111087CT	67		
										GC111112CT	67		

INDEX »

BY CATEGORY

PART # PAGE

E-Z CLAMP

GEZ050	70
GEZ075	70
GEZ100	70
GEZ125	70
GEZ150	70
GEZ200	70
GEZ250	70
GEZ300	70
GEZ350	70
GEZ400	70

BEAM CLAMPS

G403	72
G406	72
G407	72
G4071	72
G4081/4	72
G4083/8	72
G409	72
G418	72
G419	72
G4102	73
G4103	73
G4104	73
G4105	73
G4106	73
G4107	73
G4108	73
G4109	73
G4110	73
G4111	73
G4111B	73
G4112	73
G4112B	73
G4113	73
G4121	73
G4122	73
G4123	73
G4131	73
G4132	73
G4133	73
G4134	73
G4142	74
G4143	74
G4144	74
G4145	74
G4146	74
G415	74
G416	74
G4161	74
G4162	74
G4163	74
G4164	74
G417	74
G4171	74
G4172	74
G4173	74

PART # PAGE

U-BOLTS & BOLT BEAM CLAMPS

G401	75
G402	75
G4021	75
G4026	75
G4028	75
GUB050	75
GUB075	75
GUB100	75
GUB125	75
GUB150	75
GUB200	75
GUB250	75
GUB300	75
GUB350	75
GUB400	75
GUB500	75
GUB600	75
GUB800	75
GUB1000	75
GUB1200	75
GUB1400	75
GUB1600	75
GUB1800	75
GUB2000	75
GUB2400	75

CONCRETE INSERTS

GSPCI	78
GSSI1/4	78
GSSI3/8	78
GSSI1/2	78
GSSI5/8	78
GSSI3/4	78
G382IN1	78
G382IN2	78
G132IN1	78
G132IN2	78
G582IN1	78
G582IN2	78

END CAPS & CLOSURE STRIPS

GEC13	79
GEC14	79
GEC15	79
GEC16	79
GECPG	79
GECPG10	79
GECPG0	79
GECPG1	79
GECPG2	79
GECPG9	79
GECPG3	79
GECPG4	79
GECPG5	79
GECPG6	79

PART # PAGE

GECPG7	79
GECPG8	79
GCLPG	79
GCLPL	79
G910	79
G9101	79
GOEC17	79
GOEC18	79
GOEC19	79

ROOFTOP SUPPORT BLOCKS 100 SERIES

GRB100	82
GRB101	82
GRB102	82
GRB103	82
GRB104	82

ROOFTOP SUPPORT BLOCKS 200 SERIES

GRB208	83
GRB212	83
GRB216	83

ROOFTOP SUPPORT BLOCKS 300 SERIES

GRB3100	84
GRB3125	84
GRB3150	84
GRB3200	84
GRB3250	84
GRB3300	84
GRB3350	84
GRB3400	84
GRB3500	84
GRB3600	84

SPECIALTY CHANNEL NUTS - G-STRUT SEISMIC COMPONENTS

GSTN25100	86
GSTN25125	86
GSTN25150	86
GSTN37100	86
GSTN37125	86
GSTN37150	86
GSTN50100	86
GSTN50125	86
GSTN50150	86
GMN1032N	86
GMN1024N	86
GMN1025N	86
GMN832S	86
GMN1032S	86
GMN1024S	86
GMN0255S	86

PART # PAGE

GMN832	86
GMN1032	86
GMN1024	86
GMN0255	86
GCN800	86
GCN801	86
GCN802	86
GDCN031	86
GRS375062	86

FLAT PLATE FITTINGS - G-STRUT SEISMIC COMPONENTS

G201025	87
G201031	87
G201037	87
G201050	87
G201062	87
G201075	87
G202025	87
G202031	87
G202037	87
G202050	87
G202062	87
G202075	87
G201025	87
G201031	87
G201037	87
G201050	87
G201062	87
G201075	87
G202025	87
G202037	87
G202050	87
G202062	87
G202075	87

ANGLE FITTINGS - G-STRUT SEISMIC COMPONENTS

G302	88
G316	88
G3161	88
G33001	88
G33002	88
G33003	88
G33004	88

INDEX »

ALPHABETICALLY

PART #	PAGE	PART #	PAGE	PART #	PAGE	PART #	PAGE	PART #	PAGE
G102	19	G202025	87	G31002	42	G3232	48	G356	47
G102A	19	G202031	87	G311	37	G3233	48	G357	47
G102H	19	G202037	87	G3111	37	G3234	48	G382	18
G102KO	19	G202037	87	G3112	37	G3235	48	G382A	18
G102LS	19	G202050	87	G312	44	G326	46	G382H	18
G102OS	19	G202050	87	G313	39	G3261	46	G382IN1	78
G1108050	69	G202062	87	G314	39	G327	46	G382IN2	78
G1108075	69	G202062	87	G315	38	G3271	47	G382KO	18
G1108100	69	G202075	87	G3151	38	G3281	46	G382LS	18
G1108125	69	G202075	87	G316	42	G328L	47	G382OS	18
G1108150	69	G203037	32	G316	88	G328R	47	G401	75
G1108200	69	G203050	32	G3161	42	G329	46	G402	75
G1108250	69	G2031	32	G3161	88	G329L	45	G4021	75
G1108300	69	G2032	32	G316L	40	G329R	45	G4026	75
G1108350	69	G2033	32	G316R	40	G33001	88	G4028	75
G1108400	69	G205	33	G3171	42	G33002	88	G403	72
G1108500	69	G2051	32	G3172	42	G33003	88	G406	72
G1108600	69	G206	33	G3172	42	G33004	88	G407	72
G1108800	69	G206	33	G318L	40	G3300L	44	G4071	72
G1109025	68	G2061	33	G318R	40	G330R	44	G4081/4	72
G1109031	68	G207	33	G3191	43	G331	38	G4083/8	72
G1109037	68	G2071	33	G31910	43	G332	41	G409	72
G1109050	68	G208	33	G31911	43	G332	41	G4102	73
G1109062	68	G210	33	G3192	43	G334	38	G4103	73
G1109075	68	G211	34	G3193	43	G335	40	G4104	73
G1109087	68	G212	34	G3194	43	G335W	40	G4105	73
G1109100	68	G213	34	G3195	43	G336	38	G4106	73
G1112075	68	G214	34	G3196	43	G3361	38	G4107	73
G1112100	68	G216	34	G3197	43	G337	38	G4108	73
G132	21	G217	34	G3198	43	G3381	36	G4109	73
G132A	21	G218	35	G3199	43	G3382	36	G4110	73
G132H	21	G219	35	G32001	43	G3383	36	G4111	73
G132IN1	78	G2191	35	G32002	43	G339	44	G4111B	73
G132IN2	78	G220	35	G32003	43	G340	44	G4112	73
G132KO	21	G221	35	G32004	43	G3401	48	G4112B	73
G132LS	21	G222	35	G32005	43	G34102	48	G4113	73
G132OS	21	G25410GL	24	G32006	43	G34103	48	G4121	73
G134	22	G25412GL	24	G32007	43	G34104	48	G4122	73
G134A	22	G301	36	G3201	43	G3411	44	G4123	73
G134H	22	G302	36	G32010	43	G3412	44	G4131	73
G134KO	22	G302	88	G32011	43	G3421	41	G4132	73
G134LS	22	G3031	36	G3202	43	G3422	41	G4133	73
G134OS	22	G3032	36	G3203	43	G343L	47	G4134	73
G15410GL	24	G3033	36	G3204	43	G343R	47	G4142	74
G15412GL	24	G304	36	G3205	43	G345	48	G4143	74
G201025	87	G3051	37	G3206	43	G3461	52	G4144	74
G201025	87	G3052	37	G3207	43	G3462	52	G4145	74
G201031	87	G306	37	G3208	43	G3463	52	G4146	74
G201031	87	G3060	37	G3209	43	G3464	52	G415	74
G201037	87	G3061	36	G32112L	45	G347	48	G416	74
G201037	87	G3062	36	G3211R	45	G348	41	G4161	74
G201037	87	G3063	36	G321L	45	G349	48	G4162	74
G201050	87	G3064	37	G321R	45	G350	46	G4163	74
G201050	87	G3065	36	G322	48	G351	46	G4164	74
G201062	87	G3071	39	G3221	48	G352	47	G417	74
G201062	87	G308	39	G323	48	G35210GL	24	G4171	74
G201075	87	G308	39	G3231	48	G35212GL	24	G4172	74
G201075	87	G309	39			G354	46	G4173	74
G202025	87	G310	39			G355	46		
		G31001	42						

INDEX »

ALPHABETICALLY

PART #	PAGE	PART #	PAGE	PART #	PAGE	PART #	PAGE	PART #	PAGE
G418	72	G619A	54	G9046	53	GC111025	65	GC111487	65
G419	72	G619AFL	54	G905	51	GC111037	65	GC111500	65
G582	16	G619ASQ	54	G9051	51	GC111037CT	67	GC111512	65
G582A	16	G619FL	54	G906	52	GC111050	65	GC111512CT	67
G582H	16	G619SQ	54	G9061	52	GC111050CT	67	GC111525	65
G582IN1	78	G620	55	G9062	52	GC111062	65	GC111537	65
G582IN2	78	G620A	55	G9063	52	GC111062CT	67	GC111550	65
G582KO	16	G620AFL	55	G907	52	GC111075	65	GC111562	65
G582LS	16	G620ASQ	55	G908	52	GC111087	65	GC111575	65
G582OS	16	G620ASQ1	55	G909	52	GC111087CT	67	GC111587	65
G584	17	G620FL	55	G9091	52	GC111100	65	GC111600	65
G584A	17	G620FL1	55	G910	79	GC1111000	65	GC111612	65
G584H	17	G620FL2	55	G9101	79	GC1111012	65	GC111612CT	67
G584KO	17	G620SQ	55	GACB319	41	GC1111025	65	GC111625	65
G584LS	17	G621	54	GACB320	41	GC1111037	65	GC111637	65
G584OS	17	G621A	54	GAT02510	29	GC1111050	65	GC111650	65
G584SS	17	G6221	51	GAT02512	29	GC1111062	65	GC111662	65
G6021	50	G6222	51	GAT0252	29	GC1111075	65	GC111675	65
G6022	50	G6223	51	GAT03110	29	GC1111087	65	GC111687	65
G6023	50	G6224	51	GAT03112	29	GC111112	65	GC111700	65
G603	61	G6225	51	GAT0316	29	GC111112CT	67	GC111712	65
G6031	61	G6226	51	GAT03710	29	GC111125	65	GC111725	65
G6032	61	G6227	51	GAT03712	29	GC111137	65	GC111737	65
G6033	61	G6228	51	GAT0376	29	GC111137CT	67	GC111750	65
G6041	49	G623	51	GAT05010	29	GC111150	65	GC111762	65
G605A	56	G624	51	GAT05012	29	GC111162	65	GC111775	65
G605L	56	G625	51	GAT0506	29	GC111162CT	67	GC111787	65
G605R	56	G626	50	GAT06210	29	GC111175	65	GC111800	65
G6061	49	G6262	50	GAT06212	29	GC111187	65	GC111800CT	67
G6062	49	G6263	50	GAT0626	29	GC1112	66	GC111812	65
G6063	49	G6264	50	GAT07510	29	GC111200	65	GC111825	65
G606E1	49	G6265	50	GAT07512	29	GC111212	65	GC111837	65
G606E2	49	G712	15	GAT0756	29	GC111212CT	67	GC111850	65
G606E3	49	G712A	15	GAT08710	29	GC111225	65	GC111862	65
G6070	49	G712H	15	GAT08712	29	GC111237	65	GC111875	65
G6071	49	G712KO	15	GAT0876	29	GC111250	65	GC111887	65
G6081	61	G712LS	15	GAT10010	29	GC111262	65	GC111900	65
G6082	61	G712OS	15	GAT10012	29	GC111262CT	67	GC111912	65
G6083	61	G782	20	GAT1006	29	GC111275	65	GC111925	65
G6084	61	G782A	20	GAT11210	29	GC111287	65	GC111937	65
G6085	61	G782H	20	GAT11212	29	GC111300	65	GC111950	65
G6086	61	G782KO	20	GAT1126	29	GC111312	65	GC111962	65
G6087	61	G782LS	20	GAT12510	29	GC111312CT	67	GC111975	65
G6088	61	G782OS	20	GAT12512	29	GC111325	65	GC111987	65
G6091	50	G812	14	GAT1256	29	GC111337	65	GC112050ASMBL	64
G6092	50	G812A	14	GC1025	66	GC111350	65	GC112075ASMBL	64
G6093	50	G812H	14	GC1037	66	GC111362	65	GC1121000ASMBL	64
G6094	50	G812KO	14	GC1050	66	GC111362CT	67	GC112100ASMBL	64
G6095	50	G812LS	14	GC1062	66	GC111375	65	GC112125ASMBL	64
G6096	50	G812OS	14	GC1075	66	GC111387	65	GC112150ASMBL	64
G6097	50	G901	53	GC1087	66	GC111400	65	GC112200ASMBL	64
G610	50	G902	53	GC1100	66	GC111412	65	GC112250ASMBL	64
G611	52	G903	53	GC110050ASMBL	64	GC111412CT	67	GC112300ASMBL	64
G6111	52	G9041	53	GC110075ASMBL	64	GC111425	65	GC112350ASMBL	64
G612	50	G9042	53	GC110100ASMBL	64	GC111437	65	GC112400ASMBL	64
G613	50	G9043	53	GC110125ASMBL	64	GC111450	65	GC1125	66
G618	50	G9044	53	GC110150ASMBL	64	GC111462	65	GC112500ASMBL	64
G619	54	G9045	53	GC110200ASMBL	64	GC111475	65	GC112600ASMBL	64

INDEX »

ALPHABETICALLY

PART #	PAGE	PART #	PAGE	PART #	PAGE	PART #	PAGE	PART #	PAGE
GC112800ASMBL	64	GCEPG9	79	GMN025N	27	GN834	26	GRCL075PLAIN	69
GC1137	66	GEZ050	70	GMN025S	27	GN835	26	GRCL100PLAIN	69
GC114050ASMBL	64	GEZ075	70	GMN1024	27	GN838	26	GRCL125PLAIN	69
GC114075ASMBL	64	GEZ100	70	GMN1024	86	GNM10801	26	GRCL150PLAIN	69
GC114100ASMBL	64	GEZ125	70	GMN1024N	27	GNM10811	26	GRCL200PLAIN	69
GC114125ASMBL	64	GEZ150	70	GMN1024N	86	GNM10821	26	GRCL250PLAIN	69
GC114150ASMBL	64	GEZ200	70	GMN1024S	27	GNM10831	26	GRCL300PLAIN	69
GC114200ASMBL	64	GEZ250	70	GMN1024S	86	GNM12801	26	GRCL350PLAIN	69
GC1150	66	GEZ300	70	GMN1025N	86	GNM12803	26	GRCL400PLAIN	69
GC1162	66	GEZ350	70	GMN1032	27	GNM12811	26	GRCL500PLAIN	69
GC1175	66	GEZ400	70	GMN1032	86	GNM12821	26	GRCL600PLAIN	69
GC1187	66	GFDW025	28	GMN1032N	27	GNM12823	26	GRH1075	28
GC1200	66	GFDW037	28	GMN1032N	86	GNM12831	26	GRH1100	28
GC1212	66	GFDW050	28	GMN1032S	27	GNM6800	26	GRH1125	28
GC1237	66	GFH062	28	GMN1032S	86	GNM6810	26	GRH2100	28
GC1262	66	GFH100	28	GMN832	27	GNM6820	26	GRH2125	28
GC1300	66	GFH200	28	GMN832	86	GNM6830	26	GRH2150	28
GC1312	66	GFH225	28	GMN832S	27	GNM8800	26	GRH3100	28
GC1362	66	GFH250	28	GMN832S	86	GNM8810	26	GRH3125	28
GC1412	66	GFW025	28	GN1024800	26	GNM8820	26	GRH3150	28
GC2025	66	GFW050	28	GN1024810	26	GNM8830	26	GRH3250	28
GC2037	66	GFW375	28	GN1024820	26	GOEC17	79	GRS375062	27
GC2050	66	GHH25050	28	GN1024830	26	GOEC18	79	GRS375062	86
GC2075	66	GHH25075	28	GN1032800	26	GOEC19	79	GSJ100	49
GC2100	66	GHH25100	28	GN1032820	26	GRA050	68	GSJ110	49
GC2125	66	GHH375075	28	GN1032830	26	GRA075	68	GSN025	28
GC2150	66	GHH375100	28	GN10332810	26	GRA100	68	GSN050	28
GC2200	66	GHH375125	28	GN800	26	GRA125	68	GSN3125	28
GC2300	66	GHH375150	28	GN801	26	GRA150	68	GSN375	28
GC2350	66	GHH375200	28	GN802	26	GRA200	68	GSNH037	28
GC2400	66	GHH375225	28	GN803	26	GRA250	68	GSNH050	28
GC2500	66	GHH50100	28	GN804	26	GRA300	68	GSNHFF037	28
GC2600	66	GHH50125	28	GN805	26	GRA350	68	GSNHFF050	28
GCLPG	79	GHH50150	28	GN806	26	GRA400	68	GSNHFM037	28
GCLPL	79	GHH50175	28	GN807	26	GRB100	82	GSNHFM050	28
GCM800	27	GHH50200	28	GN808	26	GRB101	82	GSNHM037	28
GCM800	86	GHH50225	28	GN810	26	GRB102	82	GSNHM050	28
GCM801	27	GHH50250	28	GN811	26	GRB103	82	GSPCI	78
GCM801	86	GHN025	28	GN812	26	GRB104	82	GSSI1/2	78
GCM802	27	GHN050	28	GN814	26	GRB208	83	GSSI1/4	78
GCM802	86	GHN3125	28	GN815	26	GRB212	83	GSSI3/4	78
GDCN031	27	GHN375	28	GN818	26	GRB216	83	GSSI3/8	78
GDCN031	86	GLW025	28	GN820	26	GRB3100	84	GSSI5/8	78
GEC13	79	GLW050	28	GN821	26	GRB3125	84	GSTN25100	27
GEC14	79	GLW375	28	GN822	26	GRB3150	84	GSTN25100	86
GEC15	79	GM601	56	GN823	26	GRB3200	84	GSTN25125	27
GEC16	79	GM602	56	GN824	26	GRB3250	84	GSTN25125	86
GCEPG	79	GM6101	56	GN825	26	GRB3300	84	GSTN25150	27
GCEPG0	79	GM6102	56	GN828	26	GRB3350	84	GSTN25150	86
GCEPG1	79	GM6103	56	GN829	26	GRB3400	84	GSTN37100	27
GCEPG10	79	GM6111	56	GN830	26	GRB3500	84	GSTN37100	86
GCEPG2	79	GM6112	56	GN831	26	GRB3600	84	GSTN37125	27
GCEPG3	79	GM6113	56	GN832	26	GRC025	28	GSTN37125	86
GCEPG4	79	GM6114	56	GN832800	26	GRC037	28	GSTN37150	27
GCEPG5	79	GM6115	56	GN832810	26	GRC050	28	GSTN37150	86
GCEPG6	79	GMN025	27	GN832820	26	GRC062	28	GSTN50100	27
GCEPG7	79	GMN025S	86	GN832830	26	GRC075	28	GSTN50100	86
GCEPG8	79	GMN0255S	86	GN833	26	GRCL050PLAIN	69	GSTN50125	27

INDEX »

ALPHABETICALLY

PART #	PAGE	PART #	PAGE
GSTN50125	86	GT62226L	60
GSTN50150	27	GT62226R	60
GSTN50150	86	GT62228L	60
GT6091	57	GT62228R	60
GT6092	57	GT62230L	60
GT6093	57	GT62230R	60
GT6094	57	GT6231	59
GT6101	57	GT6232	59
GT6102	57	GT6233	59
GT6103	57	GT6251	56
GT6104	57	GT6252	56
GT6105	57	GT6253	56
GT61112	57	GTB6081	61
GT61118	57	GTB60810	61
GT61124	57	GTB60811	61
GT61130	57	GTB6082	61
GT61136	57	GTB6083	61
GT61142	57	GTB6084	61
GT6121	57	GTB6085	61
GT6122	57	GTB6086	61
GT6123	57	GTB6087	61
GT6124	57	GTB6088	61
GT613	58	GTB6089	61
GT6131	58	GTR2WH	53
GT614	58	GTR4WH	53
GT6141	58	GTR4WHU	53
GT615	58	GTSN1024800	26
GT616	58	GTSN1032800	26
GT6171	58	GTSN800	26
GT6172	58	GTSN801	26
GT6181	57	GTSN802	26
GT6182	57	GTSN808	26
GT6183	57	GTSN832800	26
GT6184	57	GUB050	75
GT6191	59	GUB075	75
GT6192	59	GUB100	75
GT6193	59	GUB1000	75
GT6194	59	GUB1200	75
GT62010L	59	GUB125	75
GT62010R	59	GUB1400	75
GT6206L	59	GUB150	75
GT6206R	59	GUB1600	75
GT6208L	59	GUB1800	75
GT6208R	59	GUB200	75
GT62112L	60	GUB2000	75
GT62112R	60	GUB2400	75
GT62114L	60	GUB250	75
GT62114R	60	GUB300	75
GT62116L	60	GUB350	75
GT62116R	60	GUB400	75
GT62118L	60	GUB500	75
GT62118R	60	GUB600	75
GT62120L	60	GUB800	75
GT62120R	60		
GT62122L	60		
GT62122R	60		
GT62224L	60		
GT62224R	60		

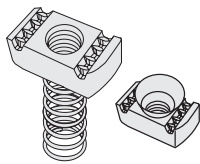
NOTES:



10 QUESTIONS TO ASK —

WHEN SELECTING THE RIGHT G-STRUT® ACCESSORIES

1 BASIC FASTENING HARDWARE

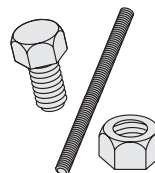


Channel nuts

- Spring nut or top spring
- No spring
- EZ (conical shaped)
- Thread size/standard or metric

Finish (EG, HDG, SS)

2 TYPICAL HARDWARE AND ROD

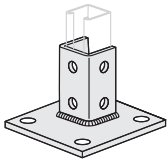


Other threaded fasteners

- Bolt, screw, nut, washer
- Rod couplers, swivels
- Threaded rod (EG, SS, HDG, PL)
- Sizes (1/4" thru 2 1/2")

Finish (EG, HDG, SS, Plain)

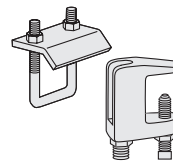
3 FITTINGS AND ACCESSORIES



- Flat plate
- Angle
- Wing
- "Z" fitting
- Splice
- "U" fitting
- Clevis
- Roller & trolley
- Post bases
- Custom

Finish (EG, HDG, SS, Painted, Plain, YZ, PVC)

4 BEAM CLAMPS AND U-BOLTS

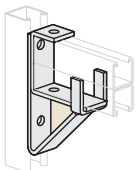


Using structural beams

- Flange type
- Malleable/ductile
- U-bolt or pierced

Finish (EG, Plain, SS)

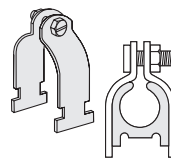
5 BRACKET FITTINGS



- Stair, ladder, wall
- Clevis type
- Shelf brackets
- Knee and tube brace

Finish (EG, HDG, SS, Painted)

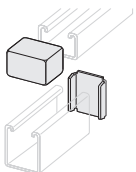
6 CONDUIT CLAMPS



- EMT
- Rigid
- Universal
- O.D. tubing
- Angle, riser, "U"
- Copper
- Stainless
- Cushion

Finish (EG, HDG, SS, Painted, YZ, PVC, AL)

7 ENDCAPS AND CLOSURES



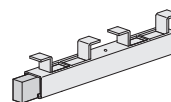
Steel or PVC end caps

- Type A or B
- Finish/color

Steel or plastic closure strip

- Pre-galv.
- Color

8 CONTINUOUS CONCRETE INSERTS



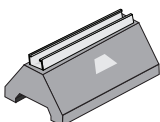
Channel size

- 13/8"
- 15/8"
- 13/16"

Accessories

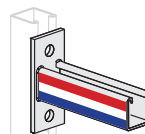
Finish (EG, HDG, SS)

9 ROOF BLOCK SUPPORTS



- Standard closed cell poly foam
- Metal insert cap
- HDPE (polyethylene) channel

10 SPECIALS/CUSTOM ORDERS



- Custom cuts, CTL
- Special packaging/bundling
- Atypical finishes
- Custom colors
- Does job require domestic origin?



4100 13th St. SW, Canton, OH 44710
866-997-8788 (866-99STRUT)



G-STRUT® is a product of Gregory Strut
CATALOG 13011

gregorystrut.com