






ORDERING INFORMATION MOUNTING STYLES

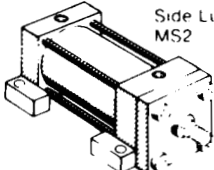
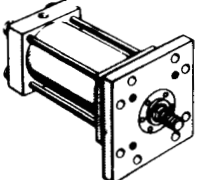
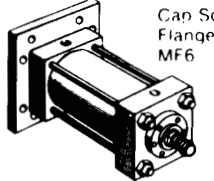
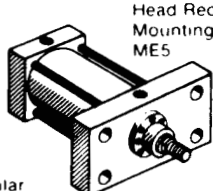
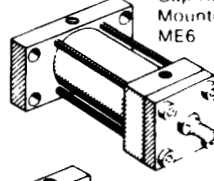
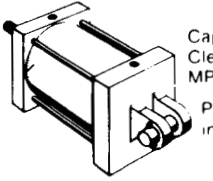
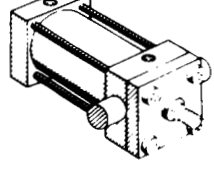
HD2 H SERIES
Hydraulic Cylinders

Optional Mounting Accessories

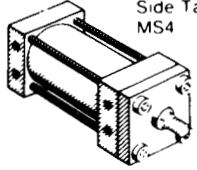
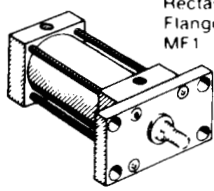
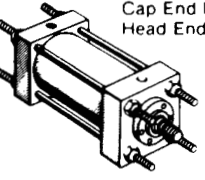
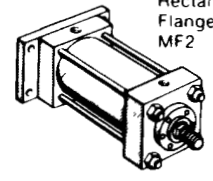
										
	Female Rod Clevis	Rod Eye	Eye Bracket	Clevis Bracket	Pivot Pin with Ret Pins					
	ROD SIZE THREAD	5/8 7/16 - 20	1 3/4 - 16	1-3/8 1 - 14	1-3/4 1-1/4 - 12	2 1-1/2 - 12	2-1/2 1-7/8 - 12	3-1/2 2-1/2 - 12	4-1/2 3-1/4 - 12	5-1/2 4 - 12
ROD END	Female Rod Clevis	BDC-05	BDC-07	BDC-10	BDC-13	BDC-17	BDC-20	BDC-30	BDC-35	BDC-40
	Rod Eye	BDE-05	BDE-07	BDE-10	BDE-13	BDE-17	BDE-20	BDE-30	BDE-35	BDE-40
	Eye Bracket	BDEB-05	BDEB-07	BDEB-10	BDEB-13	BDEB-17	BDEB-20	BDEB-30	BDEB-35	BDEB-40
	Clevis Bracket	BDCB-05	BDCB-07	BDCB-10	BDCB-13	BDCB-17	BDCB-20	BDCB-30	BDCB-35	BDCB-40
	Pivot Pin w/Ret	BDP-05H	BDP-07H	BDP-10H	BDP-13H	BDP-17H	BDP-20H	BDP-30H	BDP-35H	BDP-40H
CAP END	BORE SIZE	1-1/2	2, 2-1/2	3-1/4	4	5	6	8	10	12
	Eye Bracket	BDEB-05	BDEB-07	BDEB-10	BDEB-13	BDEB-17	BDEB-20	BDEB-30	BDEB-35	BDEB-40
	Pivot Pin w/Ret	BDP-05H	BDP-07H	BDP-10H	BDP-13H	BDP-17H	BDP-20H	BDP-30H	BDP-35H	BDP-40H

Mounting Styles and Ordering Notes

Available in all bore and rod combinations

 Side Lug MS2
 Head Square Flange MF5
 Cap Square Flange MF6
 Head Rectangular Mounting ME5
 Cap Rectangular Mounting ME6
 Cap Fixed Clevis MP1
 Trunnion Mounts
 Head MT1
 Cap MT2
 Intermediate
 Fixed MT4

Available in all bore and rod combinations through 8" bore

 Side Tapped MS4
 Head Rectangular Flange MF1
 Tie Rods Extended Both Ends MX1
 Cap End MX2
 Head End MX3
 Cap Rectangular Flange MF2

ROD BEARING CARTRIDGE	BORE	ROD DIA.	ME5	MT1	MF1	MT2	MF2	MX1
			MS2	MS4	ME6	MF6	MX3	
R Removable Cartridge	1-1 2	5/8 1 **	R	R	R	R	R	R
	2	1 1-3 8 **	R	R	R	R	R	R
T Tie Rod Retained Cartridge	2-1 2	1 1-3 8 1-3 4 **	R	R	R	R	R	R
	3-1 4	1-3 8 1-3 4 2	R	R	R	R	R	R
* MF1 MF2 MS4 MX1 MX2 and MX3 not available in these sizes	4	1-3 4 2 2-1 2	R	R	R	R	R	R
	5	2 - 3-1 2	R	R	R	R	R	R
** Cushions are non-adjustable on head end only	6	2-1 2 - 4	R	R	R	R	R	R
	8	3-1 2 4 5-1 2	R	R	R	R	R	R
	10	4-1 2 5-1 2 7	R*	R	R	R	R*	R*
	12	5-1 2 7 8-1 2	R*	R	R	R	R*	R*