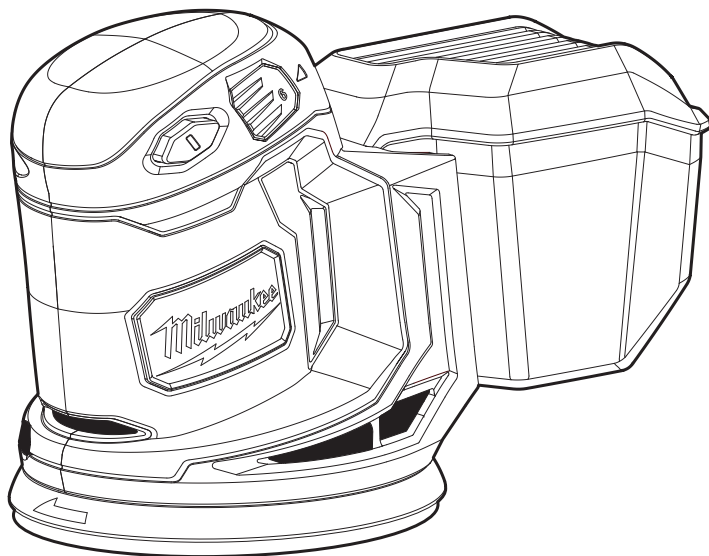




OPERATOR'S MANUAL
MANUEL de L'UTILISATEUR
MANUAL del OPERADOR



Cat. No. / No de cat.
2648-20

M18™ RANDOM ORBIT SANDER
PONCEUSE À MOUVEMENTS ORBITAUX ASYNCHRONES M18™
LIJADORAS DE ÓRBITA ALEATORIA M18™



WARNING To reduce the risk of injury, user must read and understand operator's manual.

AVERTISSEMENT Afin de réduire le risque de blessures, l'utilisateur doit lire et bien comprendre le manuel.

ADVERTENCIA Para reducir el riesgo de lesiones, el usuario debe leer y entender el manual.

GENERAL POWER TOOL SAFETY WARNINGS

⚠WARNING Read all safety warnings, instructions, illustrations and specifications provided with this power tool. Failure to follow all instructions listed below may result in electric shock, fire and/or serious injury. **Save all warnings and instructions for future reference.** The term "power tool" in the warnings refers to your mains-operated (corded) power tool or battery-operated (cordless) power tool.

WORK AREA SAFETY

- **Keep work area clean and well lit.** Cluttered or dark areas invite accidents.
- **Do not operate power tools in explosive atmospheres, such as in the presence of flammable liquids, gases or dust.** Power tools create sparks which may ignite the dust or fumes.
- **Keep children and bystanders away while operating a power tool.** Distractions can cause you to lose control.

ELECTRICAL SAFETY

- **Power tool plugs must match the outlet. Never modify the plug in any way. Do not use any adapter plugs with earthed (grounded) power tools.** Unmodified plugs and matching outlets will reduce risk of electric shock.
- **Avoid body contact with earthed or grounded surfaces, such as pipes, radiators, ranges and refrigerators.** There is an increased risk of electric shock if your body is earthed or grounded.
- **Do not expose power tools to rain or wet conditions.** Water entering a power tool will increase the risk of electric shock.
- **Do not abuse the cord. Never use the cord for carrying, pulling or unplugging the power tool. Keep cord away from heat, oil, sharp edges or moving parts.** Damaged or entangled cords increase the risk of electric shock.
- **When operating a power tool outdoors, use an extension cord suitable for outdoor use.** Use of a cord suitable for outdoor use reduces the risk of electric shock.
- **If operating a power tool in a damp location is unavoidable, use a ground fault circuit interrupter (GFCI) protected supply.** Use of an GFCI reduces the risk of electric shock.

PERSONAL SAFETY

- **Stay alert, watch what you are doing and use common sense when operating a power tool. Do not use a power tool while you are tired or under the influence of drugs, alcohol or medication.** A moment of inattention while operating power tools may result in serious personal injury.
- **Use personal protective equipment. Always wear eye protection.** Protective equipment such as a dust mask, non-skid safety shoes, hard hat or hearing protection used for appropriate conditions will reduce personal injuries.

- **Prevent unintentional starting. Ensure the switch is in the off-position before connecting to power source and/or battery pack, picking up or carrying the tool.** Carrying power tools with your finger on the switch or energizing power tools that have the switch on invites accidents.
- **Remove any adjusting key or wrench before turning the power tool on.** A wrench or a key left attached to a rotating part of the power tool may result in personal injury.
- **Do not overreach. Keep proper footing and balance at all times.** This enables better control of the power tool in unexpected situations.
- **Dress properly. Do not wear loose clothing or jewelry. Keep your hair and clothing away from moving parts.** Loose clothes, jewelry or long hair can be caught in moving parts.
- **If devices are provided for the connection of dust extraction and collection facilities, ensure these are connected and properly used.** Use of dust collection can reduce dust-related hazards.
- **Do not let familiarity gained from frequent use of tools allow you to become complacent and ignore tool safety principles.** A careless action can cause severe injury within a fraction of a second.

POWER TOOL USE AND CARE

- **Do not force the power tool. Use the correct power tool for your application.** The correct power tool will do the job better and safer at the rate for which it was designed.
- **Do not use the power tool if the switch does not turn it on and off.** Any power tool that cannot be controlled with the switch is dangerous and must be repaired.
- **Disconnect the plug from the power source and/ or remove the battery pack, if detachable, from the power tool before making any adjustments, changing accessories, or storing power tools.** Such preventive safety measures reduce the risk of starting the power tool accidentally.
- **Store idle power tools out of the reach of children and do not allow persons unfamiliar with the power tool or these instructions to operate the power tool.** Power tools are dangerous in the hands of untrained users.
- **Maintain power tools and accessories. Check for misalignment or binding of moving parts, breakage of parts and any other condition that may affect the power tool's operation. If damaged, have the power tool repaired before use.** Many accidents are caused by poorly maintained power tools.
- **Keep cutting tools sharp and clean.** Properly maintained cutting tools with sharp cutting edges are less likely to bind and are easier to control.
- **Use the power tool, accessories and tool bits etc. in accordance with these instructions, taking into account the working conditions and the work to be performed.** Use of the power tool for operations different from those intended could result in a hazardous situation.
- **Keep handles and grasping surfaces dry, clean and free from oil and grease.** Slippery handles and grasping surfaces do not allow for safe handling and control of the tool in unexpected situations.

BATTERY TOOL USE AND CARE

- **Recharge only with the charger specified by the manufacturer.** A charger that is suitable for one type of battery pack may create a risk of fire when used with another battery pack.
- **Use power tools only with specifically designated battery packs.** Use of any other battery packs may create a risk of injury and fire.
- **When battery pack is not in use, keep it away from other metal objects, like paper clips, coins, keys, nails, screws or other small metal objects, that can make a connection from one terminal to another.** Shorting the battery terminals together may cause burns or a fire.
- **Under abusive conditions, liquid may be ejected from the battery; avoid contact. If contact accidentally occurs, flush with water. If liquid contacts eyes, additionally seek medical help.** Liquid ejected from the battery may cause irritation or burns.
- **Do not use a battery pack or tool that is damaged or modified.** Damaged or modified batteries may exhibit unpredictable behavior resulting in fire, explosion or risk of injury.
- **Do not expose a battery pack or tool to fire or excessive temperature.** Exposure to fire or temperature above 265°F (130°C) may cause explosion.
- **Follow all charging instructions and do not charge the battery pack or tool outside the temperature range specified in the instructions.** Charging improperly or at temperatures outside the specified range may damage the battery and increase the risk of fire.

SERVICE

- **Have your power tool serviced by a qualified repair person using only identical replacement parts.** This will ensure that the safety of the power tool is maintained.
- **Never service damaged battery packs.** Service of battery packs should only be performed by the manufacturer or authorized service providers.

SPECIFIC SAFETY RULES FOR SANDERS

- Collected sanding dust from sanding surface coatings such as polyurethanes, linseed oil, etc. can self-ignite in the sander dust box or elsewhere and cause fire. To reduce the risk of fire always empty the dust box frequently (10-15 minutes) while sanding and never store or leave a sander without totally emptying its dust box. Also follow the recommendations of the coatings manufacturers.

• **⚠WARNING** To reduce the risk of injury, when working in dusty situations, wear appropriate respiratory protection or use an OSHA compliant dust extraction solution.

- **Always use common sense and be cautious when using tools.** It is not possible to anticipate every situation that could result in a dangerous outcome. Do not use this tool if you do not understand these operating instructions or you feel the work is beyond your capability; contact Milwaukee Tool or a trained professional for additional information or training.

• **Maintain labels and nameplates.** These carry important information. If unreadable or missing, contact a MILWAUKEE service facility for a free replacement.

• **⚠WARNING** Some dust created by power sanding, sawing, grinding, drilling, and other construction activities contains chemicals known to cause cancer, birth defects or other reproductive harm. Some examples of these chemicals are:

- lead from lead-based paint
- crystalline silica from bricks and cement and other masonry products, and
- arsenic and chromium from chemically-treated lumber.

Your risk from these exposures varies, depending on how often you do this type of work. To reduce your exposure to these chemicals: work in a well ventilated area, and work with approved safety equipment, such as those dust masks that are specially designed to filter out microscopic particles.

SYMBOLGY



Volts



Direct Current

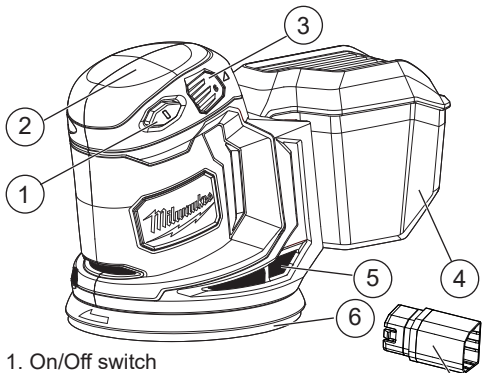


Orbits per Minute (OPM)



UL Listing for Canada and U.S.

FUNCTIONAL DESCRIPTION



1. On/Off switch

2. Hand grip

3. Variable speed dial

4. Dust box

5. Air vents

6. Backing pad

7. Extender

SPECIFICATIONS

Cat. No.	2648-20
Volts.....	18 DC
Battery Type	M18™
Charger Type.....	M18™
Orbits Per Min.....	7,000-12,000
Paper Size	5" dia.
Recommended Ambient Operating Temperature.....	0°F to 125°F

ASSEMBLY

⚠WARNING Recharge only with the charger specified for the battery. For specific charging instructions, read the operator's manual supplied with your charger and battery.

Removing/Inserting the Battery

To remove the battery, push in the release buttons and pull the battery pack away from the tool.

⚠WARNING Always remove the battery pack any time the tool is not in use.

To insert the battery, slide the pack into the body of the tool. Make sure it latches securely into place.

⚠WARNING Only use accessories specifically recommended for this tool. Others may be hazardous.

Selecting Sandpaper and Grits

Sandpaper can be made from various grit materials and these should be selected according to the material to be sanded. The guidelines below list materials and grit materials that should be used with them.

- **Fine woodwork** – garnet or aluminum oxide
- **Rough woodwork** – aluminum zirconia or ceramic aluminum oxide
- **Manufactured wood products** (particleboard, medium density fiber board, etc.) – silicon carbide or aluminum oxide
- **Solid surface materials** (Corian®, quartz, granite, etc.) – silicon carbide or aluminum oxide
- **Metals** – emery or aluminum oxide

Sandpaper is also graded by coarseness. Start your work with an abrasive grit just coarse enough to remove high spots and excessive roughness. Follow with a second sanding using a grit one or two grades finer. Continue with successively finer grits until you obtain the desired finish.

Do not switch from a coarse grit to a very fine grit in one step because it may be difficult to remove the marks made by the coarse grit abrasive. Use the finest grits practical for the roughing operation, and finish by using successively finer grits.

Grit	Type	Typical Application
60 80	Course	Ideal for initial sanding on rougher surfaces. For fast stock removal. Rough sanding and stripping of painted and rusted surfaces.
100 120	Medium	For intermediate sanding and removal of minor surface imperfections.
150 180 220	Fine	Ideal for fine sanding prior to straining, priming, or sealing.

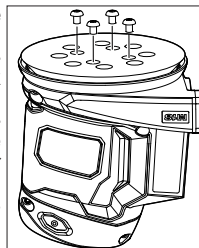
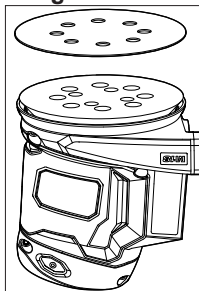
Attaching Hook-and-Loop Sanding Discs

1. Remove the battery pack.
2. Align holes in hook-and-loop type sanding disc with holes in pad, then carefully press fuzzy side of sanding disc against pad as tightly as possible.
NOTE: Hook-and-loop type sanding discs can be reused for the life of the sanding abrasive. It is recommended that you keep the sanding disc backing pad clean to provide for best adhesion. Clean occasionally by brushing lightly with a small brush.

Changing the Backing Pad

The sander comes assembled with the hook-and-loop pad. To attach a pressure sensitive adhesive (PSA) pad (not included), first remove the hook-and-loop pad. Inspect backing pad before installing. Do not use if broken or defective.

1. Remove the battery pack.
2. Remove the four screws that hold the hook-and-loop pad in place.
3. Remove the hook-and-loop pad.
4. Clean dust particles from the pad brake.
5. Apply a thin layer of light-weight grease to the back of the pad.
6. Align the holes in the pressure sensitive adhesive (PSA) pad with the four screw holes in the sander.
7. Replace the four screws securely.



Attaching PSA Sanding Discs

1. Remove the battery pack.
2. Carefully peel paper backing from the pressure sensitive adhesive type sanding disc.
3. Align holes in sanding disc with holes in backing pad, then carefully press sticky side of disc against pad as tightly as possible.
NOTE: Holes in sanding disc must line up with holes in the backing pad in order for the dustless feature of the sander to function properly.
NOTE: It is recommended that you clean backing pad occasionally by brushing lightly with a small brush. Dust buildup on backing pad could cause sanding disc not to stick properly.

Remove PSA Sanding Disc Before Storage

Do not store the sander with the sanding disc installed. Heat generated from sanding causes the pressure sensitive adhesive to flow and form a tight bond between the backing pad and sanding disc. Removing the sanding disc soon after you have finished a sanding operation avoids letting the adhesive set up. If the sanding disc is left on the backing pad for an extended period of time after use, the adhesive will set up and cause the sanding disc to become difficult to remove.

It may also tear when removing. When this situation occurs, it becomes difficult to clean the backing pad for the next sanding disc.

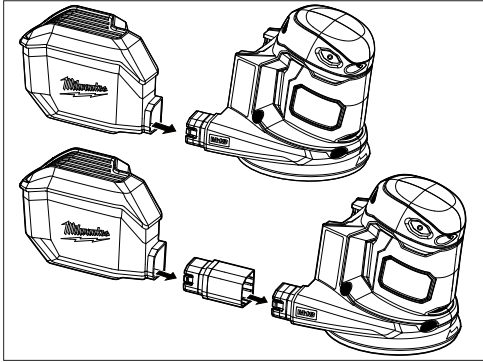
NOTE: If you forget to remove the sanding disc after a sanding operation, sand for a few minutes to soften the adhesive backing before attempting to remove sanding disc.

⚠WARNING Collected sanding dust from sanding surface coatings such as polyurethanes, linseed oil, etc. can self-ignite in the sander dust box or elsewhere and cause fire. To reduce the risk of fire always empty the dust box frequently (10-15 minutes) while sanding and never store or leave a sander without totally emptying its dust box. Also follow the recommendations of the coatings manufacturers.

Dust Box with Filter

The dust box provides a dust collection and air filtration system for the sander. Sanding dust is drawn up through the holes of the sanding pad and collected in the dust box during sanding. To use the dust box:

1. Remove the battery pack.



2. To **insert**, slide the dust box chute into the sander's dust port. Ensure the dust box vents are facing up and push sander and dust box together firmly. Use the extender when using larger M18™ battery packs
3. To **remove**, grasp the sander and dust box firmly and pull apart.

4. To **empty**, using the tabs, pull off the dust box lid. Empty dust from the dust box and tap filter clean. Do not clean filter with water or compressed air. Replace filter when necessary (Cat. No. 43-31-0105). **Reinstall** the lid and ensure it snaps into place.

For more efficient operation, empty the dust box when it is no more than half full. This will permit air to flow through the box better. Always empty and clean the dust box thoroughly upon completion of a sanding operation and before storing the sander.

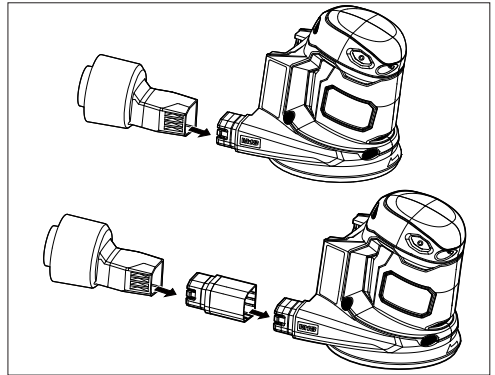
Universal Hose Adapter

Use the universal hose adapter to attach the sander to a vacuum hose.

1. Remove the battery pack.
2. Remove the dust box from the sander.
3. To insert, slide the adapter into the sander's dust port. Push sander and adapter together firmly. Connect the vacuum hose to the adapter, twisting together to secure.

NOTE: For extra length, use the extender.

4. To **remove**, disconnect the vacuum hose from the adapter. Then, grasp the sander and adapter firmly and pull apart.



⚠WARNING When sander is not connected to vacuum, always reinstall dust box assembly back onto sander. Failure to do so could cause sanding dust or foreign objects to be thrown into your face or eyes which could result in possible serious injury.

OPERATION

⚠WARNING To reduce the risk of injury, always remove battery pack before changing or removing accessories or making adjustments. Only use accessories specifically recommended for this tool. Others may be hazardous. Always wear proper eye protection marked to comply with ANSI Z87.1.

When working in dusty situations, wear appropriate respiratory protection or use an OSHA compliant dust extraction solution.

Starting and Stopping the Tool

To **start** the sander, press the ON (I) button. To **stop** sander, press the OFF (O) button.

Speed Dial

The speed dial allows the sander to operate at variable speeds - from low speed (1) to high speed (6).

1. To increase sanding disc speed, turn the dial to a higher setting.

2. To decrease sanding disc speed, turn the dial to a lower setting.

⚠WARNING Finish sanding can produce clouds of fine dust that could ignite in the presence of sparks or open flame. Always wear a suitable dust mask or respirator and use your sander in a well-ventilated area.

To reduce the risk of injury, inspect for and remove all raised nails and fasteners from workpiece before sanding. Striking a fastener while sanding could cause loss of control.

General Sanding with Random Orbit Sanders

When using random orbit sanders there are a few things to keep in mind:

- Unlike most sanders, random orbit sanders should be placed on the workpiece BEFORE the tool is started. If the sander is started before it is placed on the workpiece, the free floating pad may be spinning at a speed that can cause scratches when it is finally placed on workpiece.
- Unlike most sanders, random orbit sanders can be moved across the workpiece in any direction (in the case of wood, regardless of the direction of the grain).
- Varying pressure applied to the sander will affect its rotating speed. A light pressure is recommended for fine work, moderate pressure for rough work. Excessive pressure does not allow the pad to rotate enough.
- Keep sanding pad flat on the workpiece. Tipping the sander or using the edges of the pad may produce an uneven finish, and reduce pad life.
- Keep sander moving in broad even strokes across the workpiece. Sanding in one spot too long can cause gouging and uneven results.
- Check the workpiece frequently, random orbit sanders work more aggressively than simple orbital sanders.

⚠WARNING Properly secure workpiece before sanding. Unsecured work could be thrown towards the operator causing injury.

To reduce the risk of injury, do not wear loose clothing or jewelry when operating sander. They could get caught in moving parts causing serious injury. Keep head away from sander and sanding area. Hair could be drawn into sander causing serious injury.

1. Place sander on the workpiece and turn on the sander.
2. Keep the sanding disc flat against the workpiece, keep the sander moving across the workpiece, and use long, sweeping strokes.
3. Begin sanding with a coarse grit sandpaper and gradually use finer and finer grits of sandpaper until the desired finish is reached. For example when using the sander on wood, begin with an 80 grit followed by a 120 grit, then a 180 grit and so on.

Removing Paint or Varnish

1. When removing several layers of paint or varnish, remove as much as possible with a paint solvent or varnish remover.
2. Scrape away the residue with a putty knife or other scraping tool and allow the surface to cool and dry before applying sander to the workpiece.

⚠WARNING To reduce the risk of fire and explosion, paint solvents and varnish removers must be removed from the workpiece and the workpiece must be completely dry before sanding.

3. Select a coarse grit sandpaper disc to help prevent the sandpaper from clogging.
4. Keep the sander moving over new areas to avoid heating and softening the old coating (paint or varnish).
5. Work in wide, overlapping strokes to produce a uniform finish.
6. As the workpiece begins to show through the old coating, switch to a medium grit sandpaper disc to avoid scratching the surface of the workpiece. Gradually switch to a fine grit sandpaper until you achieve the desired finish.

MAINTENANCE

⚠WARNING To reduce the risk of injury, always unplug the charger and remove the battery pack from the charger or tool before performing any maintenance. Never disassemble the tool, battery pack or charger. Contact a MILWAUKEE service facility for ALL repairs.

Maintaining Tool

Keep your tool, battery pack and charger in good repair by adopting a regular maintenance program. Inspect your tool for issues such as undue noise, misalignment or binding of moving parts, breakage of parts, or any other condition that may affect the tool operation. Return the tool, battery pack, and charger to a MILWAUKEE service facility for repair. After six months to one year, depending on use, return the tool, battery pack and charger to a MILWAUKEE service facility for inspection.

If the tool does not start or operate at full power with a fully charged battery pack, clean the contacts on the battery pack. If the tool still does not work properly, return the tool, charger and battery pack, to a MILWAUKEE service facility for repairs.

⚠WARNING To reduce the risk of personal injury and damage, never immerse your tool, battery pack or charger in liquid or allow a liquid to flow inside them.

Cleaning

Clean dust and debris from any vents. Keep tool clean, dry and free of oil or grease. Use only mild soap and a damp cloth to clean, since certain cleaning agents and solvents are harmful to plastics and other insulated parts. Some of these include gasoline, turpentine, lacquer thinner, paint thinner, chlorinated cleaning solvents, ammonia and household detergents containing ammonia. Never use flammable or combustible solvents around tools.

Repairs

For repairs, return the tool, battery pack and charger to the nearest authorized service center.

ACCESSORIES

⚠WARNING Use only recommended accessories. Others may be hazardous.

For a complete listing of accessories, go online to www.milwaukeetool.com or contact a distributor.

SERVICE - UNITED STATES

1-800-SAWDUST (1.800.729.3878)

Monday-Friday, 7:00 AM - 6:30 PM CST

or visit www.milwaukeetool.com

Contact Corporate After Sales Service Technical Support with technical, service/repair, or warranty questions.

Email: metproductsupport@milwaukeetool.com

Become a Heavy Duty Club Member at www.milwaukeetool.com to receive important notifications regarding your tool purchases.

SERVICE - CANADA

Milwaukee Tool (Canada) Ltd

1.800.268.4015

Monday-Friday, 7:00 AM - 4:30 PM CST

or visit www.milwaukeetool.ca

LIMITED WARRANTY USA & CANADA

Every MILWAUKEE power tool* (see exceptions below) is warranted to the original purchaser only to be free from defects in material and workmanship. Subject to certain exceptions, MILWAUKEE will repair or replace any part on an electric power tool which, after examination, is determined by MILWAUKEE to be defective in material or workmanship for a period of five (5) years** after the date of purchase unless otherwise noted. Return of the power tool to a MILWAUKEE factory Service Center location or MILWAUKEE Authorized Service Station, freight prepaid and insured, is required. A copy of the proof of purchase should be included with the return product. This warranty does not apply to damage that MILWAUKEE determines to be from repairs made or attempted by anyone other than MILWAUKEE authorized personnel, misuse, alterations, abuse, normal wear and tear, lack of maintenance, or accidents.

Normal Wear: Many power tools need periodic parts replacement and service to achieve best performance. This warranty does not cover repair when normal use has exhausted the life of a part including, but not limited to, chucks, brushes, cords, saw shoes, blade clamps, o-rings, seals, bumpers, driver blades, pistons, strikers, lifters, and bumper cover washers.

*This warranty does not cover Air Nailers & Staplers; Airless Paint Sprayer; Cordless Battery Packs; Gasoline Driven Portable Power Generators; Hand Tools; Hoist - Electric, Lever & Hand Chain; M12™ Heated Gear; Reconditioned Product; and Test & Measurement Products. There are separate and distinct warranties available for these products.

**The warranty period for Job Site Radios, M12™ Power Port, M18™ Power Source, Jobsite Fan and Trade Titan™ Industrial Work Carts is one (1) year from the date of purchase. The warranty period for the M18 FUEL™ 1" D-Handle High Torque Impact Wrenches, Drain Cleaning Cables, AIRSNAKE™ Drain Cleaning Air Gun Accessories, REDLITHIUM™ USB Laser Levels and TRAPSAKE™ 25' Auger w/ CABLE DRIVE™ is two (2) years from the date of purchase. The warranty period for the M18™ Compact Heat Gun, 8 Gallon Dust Extractor, M18™ Framing Nailers, M18 FUEL™ 1/2" Ext. Anvil Controlled Torque Impact Wrench w/ ONE-KEY™, M18 FUEL™ 1" High Torque Impact Wrench w/ ONE-KEY™, M18 FUEL™ 2 Gal. Compact Quiet Compressor, M12™ Laser Levels, 165' Laser Detector, M12™ 23GA Pin Nailer, M18 FUEL™ 1/4" Blind Rivet Tool w/ ONE-KEY™, M12 FUEL™ Low Speed Tire Buffer, M18 FUEL™ Random Orbital Polishers, and the M18™ Utility Fencing Stapler is three (3) years from the date of purchase. The warranty period for the LED in the LED Work Light and the LED Upgrade Bulb for the Work Light is the lifetime of the product subject to the limitations above. If during normal use the LED or LED Bulb fails, the part will be replaced free of charge.

Warranty Registration is not necessary to obtain the applicable warranty on a MILWAUKEE power tool product. The manufacturing date of the product will be used to determine the warranty period if no proof of purchase is provided at the time warranty service is requested.

ACCEPTANCE OF THE EXCLUSIVE REPAIR AND REPLACEMENT REMEDIES DESCRIBED HEREIN IS A CONDITION OF THE CONTRACT FOR THE PURCHASE OF EVERY MILWAUKEE PRODUCT. IF YOU DO NOT AGREE TO THIS CONDITION, YOU SHOULD NOT PURCHASE THE PRODUCT. IN NO EVENT SHALL MILWAUKEE BE LIABLE FOR ANY INCIDENTAL, SPECIAL, CONSEQUENTIAL OR PUNITIVE DAMAGES, OR FOR ANY COSTS, ATTORNEY FEES, EXPENSES, LOSSES OR DELAYS ALLEGED TO BE AS A CONSEQUENCE OF ANY DAMAGE TO, FAILURE OF, OR DEFECT IN ANY PRODUCT INCLUDING, BUT NOT LIMITED TO, ANY CLAIMS FOR LOSS OF PROFITS. SOME STATES DO NOT ALLOW THE EXCLUSION OR LIMITATION OF INCIDENTAL OR CONSEQUENTIAL DAMAGES, SO THE ABOVE LIMITATION OR EXCLUSION MAY NOT APPLY TO YOU. THIS WARRANTY IS EXCLUSIVE AND IN LIEU OF ALL OTHER EXPRESS WARRANTIES, WRITTEN OR ORAL, TO THE EXTENT PERMITTED BY LAW, MILWAUKEE DISCLAIMS ANY IMPLIED WARRANTIES, INCLUDING WITHOUT LIMITATION ANY IMPLIED WARRANTY OF MERCHANTABILITY OR FITNESS FOR A PARTICULAR USE OR PURPOSE; TO THE EXTENT SUCH DISCLAIMER IS NOT PERMITTED BY LAW, SUCH IMPLIED WARRANTIES ARE LIMITED TO THE DURATION OF THE APPLICABLE EXPRESS WARRANTY AS DESCRIBED ABOVE. SOME STATES DO NOT ALLOW LIMITATIONS ON HOW LONG AN IMPLIED WARRANTY LASTS, SO THE ABOVE LIMITATION MAY NOT APPLY TO YOU. THIS WARRANTY GIVES YOU SPECIFIC LEGAL RIGHTS, AND YOU MAY ALSO HAVE OTHER RIGHTS WHICH VARY FROM STATE TO STATE.

This warranty applies to product sold in the U.S.A. and Canada only. Please consult the "Service Center Search" in the Parts & Service section of MILWAUKEE's website www.milwaukeetool.com or call 1.800.SAWDUST (1.800.729.3878) to locate your nearest service facility for warranty and non-warranty service on a Milwaukee electric power tool.

RÈGLES DE SÉCURITÉ GÉNÉRALES RELATIVES AUX OUTILS ÉLECTRIQUES

⚠ AVERTISSEMENT Lire toutes les consignes de sécurité, consignes, illustrations et spécifications fournies avec cet outil électrique. Ne pas suivre l'ensemble des règles et instructions peut entraîner une électrocution, un incendie ou des blessures graves. Conserver les règles et les instructions à des fins de référence ultérieure. Le terme «outil électrique» figurant dans les avertissements ci-dessous renvoie à l'outil électrique à alimentation par le réseau (à cordon) ou par batterie (sans fil).

SÉCURITÉ DU LIEU DE TRAVAIL

- **Veillez à ce que l'aire de travail soit propre et bien éclairée.** Le désordre et le manque de lumière favorisent les accidents.
- **Ne pas utiliser d'outils électriques dans des atmosphères explosives, par exemple en présence de liquides, gaz ou poussières inflammables.** Les outils électriques produisent des étincelles risquant d'enflammer les poussières ou vapeurs.
- **S'assurer que les enfants et les curieux se trouvent à une bonne distance au moment d'utiliser un outil électrique.** Les distractions peuvent causer une perte de contrôle.

SÉCURITÉ ÉLECTRIQUE

- **Les fiches des outils électriques doivent correspondre à la prise secteur utilisée.** Ne jamais modifier la fiche, de quelque façon que ce soit. Ne jamais utiliser d'adaptateurs de fiche avec des outils mis à la terre. Les fiches et prises non modifiées réduisent le risque de choc électrique.
- **Éviter tout contact avec des surfaces mises à la terre comme des tuyaux, des radiateurs, des cuisinières et des réfrigérateurs.** Le risque de choc électrique est accru lorsque le corps est mis à la terre.
- **Ne pas exposer les outils électriques à l'eau ou l'humidité.** La pénétration d'eau dans ces outils accroît le risque de choc électrique.
- **Ne pas maltraiter le cordon d'alimentation.** Ne jamais utiliser le cordon d'alimentation pour transporter l'outil électrique et ne jamais débrancher ce dernier en tirant sur le cordon. Garder le cordon à l'écart de la chaleur, de l'huile, des objets tranchants et des pièces en mouvement. Un cordon endommagé ou emmêlé accroît le risque de choc électrique.
- **Pour les travaux à l'extérieur, utiliser un cordon spécialement conçu à cet effet.** Utiliser un cordon conçu pour l'usage extérieur réduit les risques de choc électrique.
- **Si l'utilisation d'un outil électrique est inévitable dans un endroit humide, utiliser une source d'alimentation munie d'un disjoncteur de fuite de terre.** L'utilisation d'un disjoncteur de fuite de terre réduit le risque de choc électrique.

SÉCURITÉ INDIVIDUELLE

- **Rester attentif, prêter attention au travail et faire preuve de bon sens lors de l'utilisation de tout outil électrique.** Ne pas utiliser cet appareil en cas de fatigue ou sous l'influence de l'alcool, de drogues ou de médicaments. Un moment d'inattention pendant l'utilisation d'un outil électrique peut entraîner des blessures graves.

- **Porter l'équipement de protection individuel requis. Toujours porter une protection oculaire.** Selon les conditions, porter aussi un masque anti-poussières, des bottes de sécurité antidérapantes, un casque protecteur ou une protection auditive afin de réduire les blessures.
- **Empêcher les démarrages accidentels. S'assurer que la gâchette est en position d'arrêt avant de brancher l'outil à une source de courant, d'insérer la batterie, de le ramasser ou de le transporter.** Le fait de transporter un outil électrique en gardant le doigt sur la gâchette ou de mettre sous tension un outil électrique lorsque la gâchette est en position de marche favorise les accidents.
- **Retirer les clés de réglage avant de mettre l'outil en marche.** Une clé laissée sur une pièce rotative de l'outil peut causer des blessures.
- **Ne pas travailler hors de portée. Toujours se tenir bien campé et en équilibre.** Une bonne stabilité procure un meilleur contrôle de l'outil électrique en cas d'imprévu.
- **Porter une tenue appropriée. Ne porter ni vêtements amples, ni bijoux. Garder les cheveux et les vêtements à l'écart des pièces en mouvement.** Les vêtements flottants, les bijoux ou les cheveux longs risquent d'être happés par les pièces en mouvement.
- **Si les outils sont équipés de dispositifs de dépussiérage, s'assurer qu'ils sont connectés et correctement utilisés.** L'utilisation d'un collecteur de poussière permet de réduire les dangers liés à la poussière.
- **Ne pas laisser la familiarité avec l'outil acquise par une utilisation fréquente vous rendre suffisant et vous amener à ignorer les règles de sécurité.** Une utilisation négligée peut causer une blessure grave en une fraction de seconde.

UTILISATION ET ENTRETIEN DE L'OUTIL ÉLECTRIQUE

- **Ne pas forcer l'outil électrique. Utiliser l'outil électrique approprié pour l'application.** Un outil électrique approprié exécutera le travail mieux et de façon moins dangereuse s'il est utilisé dans les limites prévues.
- **Ne pas utiliser l'outil électrique si le commutateur ne permet pas de le mettre en marche ou de l'arrêter.** Tout outil électrique qui ne peut pas être contrôlé par son commutateur est dangereux et doit être réparé.
- **Débrancher l'outil et/ou retirer le bloc-piles, si possible, avant d'effectuer des réglages, de changer d'accessoire ou de remiser l'outil.** Ces mesures de sécurité préventives réduisent les risques de démarrage accidentel de l'outil.
- **Entreposer l'outil électrique hors de la portée des enfants et interdire à quiconque de l'utiliser si la personne ne connaît pas bien le produit ou les instructions.** Les outils électriques sont dangereux dans les mains d'utilisateurs novices.
- **Entretien des outils électriques et les accessoires. Vérifier qu'aucune pièce mobile n'est mal alignée ou bloquée, qu'aucune pièce n'est brisée et s'assurer qu'aucun autre problème risque d'affecter le bon fonctionnement de l'outil.** En cas de dommages, faire réparer l'outil avant de l'utiliser. Plusieurs accidents sont causés par des produits mal entretenus.
- **Garder les outils bien affûtés et propres.** Des outils correctement entretenus et dont les tranchants sont bien affûtés risquent moins de se bloquer et sont plus faciles à contrôler.

• Utiliser l'outil électrique, les accessoires, les embouts etc. conformément à ces instructions en tenant compte des conditions de travail et de la tâche à effectuer. L'usage d'un outil électrique pour des applications pour lesquelles il n'est pas conçu peut être dangereux.

• Garder les poignées et les surfaces de préhension sèches, propres et exemptes d'huile ou de graisse. Des poignées et des surfaces de préhension glissantes ne permettent pas de manipuler et de contrôler l'outil en toute sécurité en cas de situation imprévue.

UTILISATION ET ENTRETIEN DE LA BATTERIE

• Pour recharger le bloc-piles, utiliser seulement le chargeur spécifié par le fabricant. Un chargeur pouvant convenir à un type de bloc-piles peut entraîner un risque d'incendie lorsqu'il est utilisé avec un autre type de bloc-piles.

• N'utiliser l'outil électrique qu'avec une batterie recommandée. L'utilisation de tout autre bloc-piles peut créer un risque de blessures et d'incendie.

• Lorsque le bloc-piles n'est pas utilisé, le tenir éloigné des objets en métal tels que les trombones, les pièces de monnaie, les clés, les clous, les vis ou d'autres petits objets métalliques qui pourraient connecter les bornes. Le court-circuitage des bornes d'une pile peut entraîner des brûlures ou un incendie.

• Éviter tout contact avec le liquide pouvant être éjecté de la pile en cas de manutention abusive. En cas de contact accidentel, rincer immédiatement les parties atteintes avec de l'eau. Si le liquide entre en contact avec les yeux, consulter un médecin. Le liquide éjecté des piles peut causer des irritations ou des brûlures.

• N'utiliser aucun bloc-piles ni aucun outil ayant été endommagé ou modifié. Des piles endommagées ou modifiées peuvent adopter un comportement imprévisible pouvant causer un incendie, une explosion ou le risque de blessures.

• Ne pas exposer le bloc-piles ou l'outil aux flammes ou à une température excessive. Une exposition aux flammes ou à une température supérieure à 130°C (265°F) peut causer une explosion.

• Suivre toutes les instructions de charge et ne pas charger le bloc-piles ou l'outil en dehors de la plage de température spécifiée. Une charge incorrecte ou à des températures en dehors de la plage spécifiée peut endommager la pile et augmenter le risque d'incendie.

ENTRETIEN

• Les réparations de l'outil électrique doivent être confiées à un technicien qualifié, utilisant exclusivement des pièces identiques à celles d'origine. Le maintien de la sûreté de l'outil électrique sera ainsi assuré.

• Ne jamais effectuer la réparation d'un bloc-piles endommagé. La réparation du bloc-piles doit être réalisée par le fabricant ou les fournisseurs de service agréés uniquement.

RÈGLES DE SÉCURITÉ SPÉCIFIQUES POUR PONCEUSE

• La poussière produite lors du ponçage de revêtements de surface tels que le polyuréthane, l'huile de lin, etc., peut s'enflammer spontanément à l'intérieur ou à l'extérieur du sac et causer un incendie. Pour réduire le risque d'incendie, vider fréquemment le sac pendant le ponçage (toutes les 10 à 15 minutes) et ne jamais laisser ou remiser la ponceuse sans avoir complètement vidé le sac. En outre, suivre les recommandations du fabricant du revêtement.

• **AVERTISSEMENT** Afin de minimiser le risque de blessures, lorsque de travaux sont faits dans de situations poussiéreuses, porter une protection respiratoire ou bien, utiliser une solution d'extraction de poussière conforme aux normes OSHA.

• Toujours faire preuve de bons sens et procéder avec prudence lors de l'utilisation d'outils. C'est impossible de prévoir toutes les situations dont le résultat est dangereux. Ne pas utiliser cet outil si vous ne comprenez pas ces instructions d'opération ou si vous pensez que le travail dépasse votre capacité ; veuillez contacter Milwaukee Tool ou un professionnel formé pour recevoir plus d'information ou formation.

• Maintenir en l'état les étiquettes et les plaques d'identification. Des informations importantes y figurent. Si elles sont illisibles ou manquantes, contacter un centre de services et d'entretien MILWAUKEE pour un remplacement gratuit.

• **AVERTISSEMENT** Certaines poussières générées par les activités de ponçage, de coupe, de rectification, de perçage et d'autres activités de construction contiennent des substances considérées être la cause de malformations congénitales et de troubles de l'appareil reproducteur. Parmi ces substances figurent :

• le plomb contenu dans les peintures à base de plomb ;

• la silice cristalline des briques, du ciment et d'autres matériaux de maçonnerie, ainsi que

• l'arsenic et le chrome des sciages traités chimiquement. Les risques encourus par l'opérateur envers ces expositions varient en fonction de la fréquence de ce type de travail. Pour réduire l'exposition à ces substances chimiques, l'opérateur doit travailler dans une zone bien ventilée et porter l'équipement de sécurité approprié, tel qu'un masque anti-poussière spécialement conçu pour filtrer les particules microscopiques.

SPECIFICATIONS

No de Cat.....	2648-20
Volts.....	18 CD
Type de batterie	M18™
Type de chargeur	M18™
Orbites/Minute.....	7 000-12 000
Dim. papier	125 mm (5")
Température ambiante de fonctionnement recommandée	-18°C à 50°C (0°F à 125°F)

PICTOGRAPHIE



Volts



Courant direct

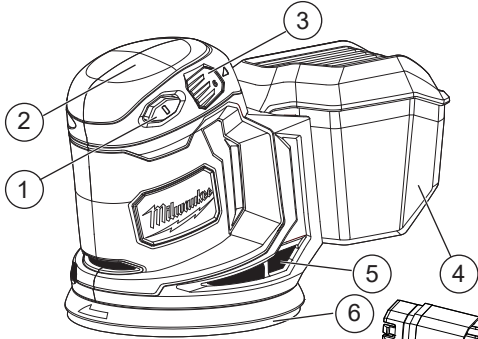
OPM

Orbites/Minute (OPM)



UL Listing Mark pour
Canada et États-unis

DESCRIPTION FONCTIONNELLE



1. Commutateur marche/arrêt
2. Poignée de main
3. Cadran des vitesses variable
4. Bac à poussière
5. Ouïes d'aération
6. Support de coussinet
7. Extendeur

MONTAGE DE L'OUTIL

AVERTISSEMENT Ne recharger la batterie qu'avec le chargeur spécifié. Pour les instructions de charge spécifiques, lire le manuel d'utilisation fourni avec le chargeur et les batteries.

Insertion/Retrait de la batterie

Pour retirer la batterie, enfoncer les boutons de déverrouillage et la tirer hors de l'outil.

AVERTISSEMENT Toujours retirer la batterie les fois que l'outil est inutilisé.

Pour insérer la batterie, la glisser dans le corps de l'outil. S'assurer qu'elle est fixée solidement.

AVERTISSEMENT L'emploi d'accessoires autres que ceux qui sont expressément recommandés pour cet outil peut comporter des risques.

Choix du papier d'émeri et du grain

Le matériau abrasif du papier d'émeri peut avoir différents calibres de grains. Le grain d'un papier d'émeri doit être choisi en fonction du matériau à poncer. Les directives ci-dessous décrivent les matériaux et les genres de papier d'émeri qui conviennent à leur ponçage.

- **Bois fins** – grenat ou corindon
- **Bois grossier** – aluminium-zircone, céramique, corindon
- **Agglomérés en bois** (panneaux de particules, panneaux de fibres, particules de densité moyenne, etc.) – carbure de silicium ou corindon
- **Matériaux à surface dure** (Corian®, quartz, granit, etc.) – carbure de silicium ou corindon
- **Métaux** – émeri ou corindon

Le papier d'émeri est également classé selon sa rugosité. Commencez à poncer avec un papier d'émeri dont le grain est assez grossier pour enlever les bosses et la rugosité du matériau. Pour le second ponçage, utilisez un papier à grains d'un ou deux degrés plus fins. Continuez à poncer avec des papiers de plus en plus fins pour obtenir le fini désiré. Ne passez pas, d'un coup, d'un papier à grains grossiers à un papier dont les grains sont fins, car il vous sera alors impossible de faire disparaître les marques laissées par les grains grossiers. Commencez à poncer avec un papier à grains aussi fins que possible, compte tenu de l'état du matériau, puis continuez à poncer avec des papiers de plus en plus fins.

Grains	Genre	Application typique
60	Grossier	Idéal pour ponçage initial ou surfaces plus rugueuses.
80		Dégrossissage rapide. Ponçage grossier, décapage de peinture et de rouille.
100 120	Moyen	Pour ponçage intermédiaire et lissage des imperfections légères.
150 180 220	Fin	Idéal pour lissage avant la teinture, l'apprêt et le scellement.

Installation des disques abrasifs à boucles et crochets

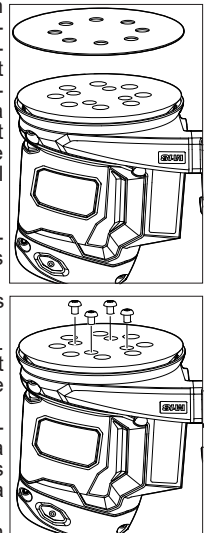
1. Retirer le bloc-piles.
2. Aligner les trous du disque abrasif à boucles et crochets sur ceux du coussinet, placer le côté crochets du disque contre le coussinet et appuyer pour bien l'assujettir.

REMARQUE : Les disques à boucles et crochets peuvent être réutilisés tant que l'abrasif n'est pas usé. Il est recommandé de garder le côté crochets du disque propre pour assurer une adhérence maximum. Le nettoyer de temps à autres avec une petite brosse.

Changement du support de coussinet

La ponceuse est équipée d'un coussinet à boucles et crochets. Il est nécessaire de retirer le coussinet à boucles et crochets pour installer le coussinet adhésif sensible à la pression. Inspecter le support de coussinet avant de l'installer. Ne pas l'utiliser s'il est déchiré ou défectueux.

1. Retirer le bloc-piles.
2. Retirer les quatre vis de fixation du coussinet à boucles et crochets.
3. Retirer le coussinet à boucles et crochets.
4. Nettoyer le frein du coussinet.
5. Enduire le dos du coussinet d'une mince couche de graisse légère.
6. Aligner les trous du coussinet adhésif sensible à la pression (PSA) sur les quatre trous de vis de la ponceuse.
7. Remettre les quatre vis en place et les serrer fermement.



Fixation des disques de ponçage PSA

1. Retirer le bloc-piles.
2. Décoller le protecteur d'adhésif du disque adhésif avec précaution.
3. Aligner les trous du disque abrasif sur ceux du coussinet, placer le côté adhésif du disque contre le coussinet et appuyer pour bien l'assujettir.

REMARQUE : Les trous du disque abrasif doivent être alignés sur ceux du coussinet pour que le système de dépoussiérage de la ponceuse fonctionne correctement.

REMARQUE : Il est recommandé de nettoyer le coussinet de temps à autres avec une petite brosse. Un disque poussiéreux peut ne pas adhérer correctement.

Retirer le disque abrasif PSA avant de ranger l'outil

Ne pas ranger la ponceuse sans avoir retiré le disque abrasif. La chaleur produite par le ponçage amollit l'adhésif, ce qui assure une bonne adhésion du disque sur le coussinet.

Retirer le disque abrasif de la ponceuse peu de temps après avoir fini de l'utiliser, pour éviter le durcissement de l'adhésif. Si le disque est laissé sur la ponceuse trop longtemps après utilisation, l'adhésif durcit, ce qui rend le retrait du disque difficile. En outre le disque risque d'être déchiré lorsqu'il est retiré. Dans ce cas, il peut être difficile de nettoyer le coussinet pour installer un nouveau disque.

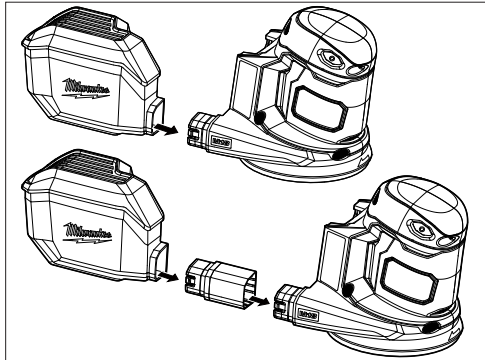
REMARQUE : Si le disque n'a pas été retiré après un travail, poncer pendant quelques minutes pour amollir l'adhésif avant d'essayer de retirer le disque.

AVERTISSEMENT La poussière produite lors du ponçage de revêtements de surface tels que le polyuréthane, l'huile de lin, etc., peut s'enflammer spontanément à l'intérieur ou à l'extérieur du sac et causer un incendie. Pour réduire le risque d'incendie, vider fréquemment le sac pendant le ponçage (toutes les 10 à 15 minutes) et ne jamais laisser ou remiser la ponceuse sans avoir complètement vidé le sac. En outre, suivre les recommandations du fabricant du revêtement.

Bac à poussière avec filtre

Le bac à poussière recueille la poussière produite par la ponceuse et offre un système de filtration d'air. Pendant le ponçage, la poussière est aspirée par les trous du patin et recueillie dans le bac à poussière. Pour utiliser le bac à poussière :

1. Retirer le bloc-piles.

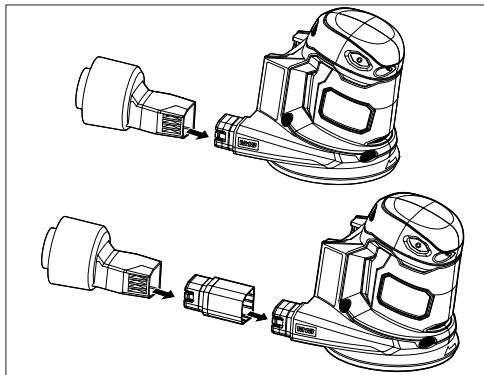


2. Pour insérer, glisser la goulotte du bac à poussière dans le port de poussière de la ponceuse. S'assurer que les événements du bac à poussière sont orientés vers le haut et pousser fermement la ponceuse et le bac à poussière pour les assembler. Utiliser l'extendeur lorsque vous utilisez des piles M18™ plus grandes.
3. Pour retirer, saisir fermement la ponceuse et le bac à poussière et les séparer.
4. Pour vider, en utilisant la languette, tirer le couvercle du bac. Vider la poussière du bac et tapoter le filtre pour le nettoyer. Ne pas utiliser de l'eau ou de l'air comprimé pour nettoyer le filtre. Remplacer le filtre si nécessaire (No de cat. 43-31-0105). Réinstaller le couvercle et s'assurer qu'il s'enclenche en place. Pour un fonctionnement plus efficace, vider le sac à poussière avant qu'il soit à moitié plein. Ceci permettra à l'air de mieux passer au travers du sac. Toujours vider et nettoyer soigneusement le sac après avoir terminé un travail de ponçage et avant de remiser la ponceuse.

Adaptateur de flexible universel

Utiliser l'adaptateur de flexible universel pour relier la ponceuse au flexible d'un aspirateur.

1. Retirer le bloc-piles.
 2. Retirer le bac à poussière de la ponceuse.
 3. Pour insérer, glisser l'adaptateur dans le port de poussière de la ponceuse. Pousser fermement la ponceuse et l'adaptateur ensemble. Brancher le flexible de l'aspirateur à l'adaptateur, en tournant pour les fixer ensemble.
- REMARQUE :** Pour une longueur supplémentaire, utilisez l'extendeur.
4. Pour retirer, débrancher le flexible de l'aspirateur de l'adaptateur. Ensuite, saisir la ponceuse et l'adaptateur fermement et les séparer.



AVERTISSEMENT Lorsque la ponceuse n'est pas raccordée à un aspirateur, elle doit toujours être munie du sac à poussière. Si cette précaution n'est pas prise, de la sciure ou d'autres objets peuvent être projetés dans les yeux et causer des lésions graves.

MANIEMENT

⚠ AVERTISSEMENT Pour réduire le risque de blessures, toujours retirer les batteries avant de changer ou de retirer tout accessoire ou ajustements. Utilisez uniquement les accessoires spécifiquement prévus pour cet outil. D'autres peuvent être dangereux.

Toujours porter la protection oculaire appropriée certifiée conforme à la norme ANSI Z87.1.

Lorsque de travaux sont faits dans de situations poussiéreuses, porter une protection respiratoire ou bien, utiliser une solution d'extraction de poussière conforme aux normes OSHA.

Démarrage et arrêt de l'outil

Pour **démarrer** la ponceuse, appuyer sur le bouton Marche (ON) (I).

Pour **arrêter** la ponceuse, appuyer sur le bouton Arrêt (OFF) (O).

Cadran des vitesses

Le cadran des vitesses permet à la ponceuse de fonctionner à des vitesses variables – d'une vitesse faible (1) à une vitesse élevée (6).

1. Pour augmenter la vitesse du disque de la ponceuse, tourner le cadran sur un réglage plus élevé.
2. Pour diminuer la vitesse du disque de la ponceuse, tourner le cadran sur un réglage plus faible.

⚠ AVERTISSEMENT Le ponçage de finissage peut produire un nuage de poussière fine qui risque d'exploser en présence d'étincelles ou de flammes. Portez toujours un masque appropriés à antipoussière ou un respirateur lorsque vous utilisez une ponceuse et poncez dans un endroit bien ventilé.

Afin de réduire le risque de blessures, inspectez la pièce de travail et retirez tous les clous protubérants ainsi que les dispositifs de fixation avant de poncer. Buter contre un dispositif de fixation pourrait engendrer une perte de contrôle.

Ponçage général avec une ponceuse à mouvements orbitaux asynchrones

Lorsque vous faites usage d'une ponceuse à mouvements orbitaux asynchrones, rappelez-vous les conseils suivants :

- Contrairement aux autres ponceuses, la ponceuse à mouvements orbitaux asynchrone devrait être placée sur le matériau AVANT que l'outil ne soit mis en marche. Si la ponceuse est mise en marche avant d'être placée sur le matériau, la rotation du disque à roulement à billes pourra être trop grande et pourra égratigner la surface lorsque la ponceuse sera alors appliquée sur le matériau.
- Contrairement aux autres ponceuses, la ponceuse à mouvements orbitaux asynchrones peut être déplacée sur le bois dans toutes les directions, sans égard au grain du bois.
- Varier la pression sur la ponceuse affectera sa vitesse de rotation. Une pression légère est recommandée pour les travaux de finissage et une pression modérée pour les surfaces rugueuses. Une trop grande pression ralentira la rotation et affectera le ponçage.
- Gardez le disque abrasif à plat sur le matériau. Incliner la ponceuse ou se servir du bord du disque peut produire un fini inégal et usera prématurément le disque.

- Déplacez la ponceuse en larges mouvements égaux sur la surface à polir. Poncez trop longtemps au même endroit pourra strier la surface et créer des affaissements.

- Vérifiez fréquemment la surface à poncer. La ponceuse à mouvements orbitaux asynchrones travaille plus agressivement qu'une simple ponceuse orbitale.

⚠ AVERTISSEMENT Fixez la pièce de travail de manière sécuritaire avant de poncer. Une pièce non assujettie risque d'être projetée vers l'opérateur et de le blesser.

Pour réduire le risque de blessures, ne porter ni vêtements amples, ni bijoux pendant l'utilisation de la ponceuse. Ces articles pourraient se prendre dans l'outil, risquant de causer des blessures graves. Garder la tête loin de la ponceuse et de l'endroit poncé. Les cheveux pourraient se prendre dans l'outil, ce qui pourrait entraîner des blessures graves.

1. Placez la ponceuse sur le matériau et mettez-la en marche.
2. Gardez le disque abrasif à plat sur le matériau et déplacez la ponceuse sur la surface en mouvements larges et réguliers.
3. Commencez le ponçage avec un papier d'émeri à grains grossiers et changez graduellement pour du papier à grains plus fins jusqu'à ce que le fini désiré soit atteint. Par exemple, lorsque vous poncez du bois, commencez avec un papier de calibre 80, puis un de 120 pour finir avec un papier de 180, etc.

Décapage de peintures et vernis

1. Lorsque vous décapez plusieurs couches de peinture ou de vernis, enlevez le plus gros à l'aide d'un décapant à peinture et vernis.
2. Grattez le résidu d'enduit avec un couteau à mastic ou un grattoir et laissez la surface sécher et refroidir avant d'y appliquer la ponceuse.

⚠ AVERTISSEMENT Afin de réduire le risque de feu et explosion, les solvants pour peinture ainsi que les décapants à vernis doivent être enlevés de la pièce de travail. De plus, la pièce de travail doit être complètement sèche avant de poncer.

3. Choisissez un disque abrasif à grains grossiers pour prévenir l'encrassement.
4. Déplacez constamment la ponceuse sur l'ensemble de la surface pour éviter la surchauffe et l'encrassement.
5. Poncez en larges mouvements que vous ferez se chevaucher pour obtenir un fini uniforme.
6. Lorsque vous voyez apparaître la surface du matériau de base, changez pour un disque en papier d'émeri plus fin pour ne pas causer d'égratignures. Continuez le ponçage en changeant graduellement pour du papier plus fin jusqu'à obtention du fini désiré.

ENTRETIEN

AVERTISSEMENT Pour minimiser les risques de blessures corporelles, débranchez le chargeur et retirez la batterie du chargeur ou de l'outil avant d'y effectuer des travaux d'entretien. Ne démontez jamais l'outil, la batterie ou le chargeur. Pour toute réparation, consultez un centre de service MILWAUKEE accrédité.

Entretien de l'outil

Gardez l'outil en bon état en adoptant un programme d'entretien ponctuel. Inspectez votre outil pour des questions telles que le bruit excessif, de grippage des pièces mobiles, de pièces cassées ou toute autre condition qui peut affecter le fonctionnement de l'outil. Retournez votre outil à un centre de service MILWAUKEE accrédité pour obtenir le service. Après une période pouvant aller de 6 mois à un an, selon l'usage, retournez votre outil à un centre de service MILWAUKEE accrédité pour d'inspection.

Si l'outil ne démarre pas ou ne fonctionne pas à pleine puissance alors qu'il est branché sur une batterie complètement chargée, nettoyez les points de contact entre la batterie et l'outil. Si l'outil ne fonctionne toujours pas correctement, renvoyez l'outil, le chargeur et la batterie à un centre de service MILWAUKEE accrédité.

AVERTISSEMENT Pour minimiser les risques de blessures ou de dommages à l'outil, n'immergez jamais l'outil, la batterie ou le chargeur et ne laissez pas de liquide s'y infiltrer.

Nettoyage

Débarassez les tous événements des débris et de la poussière. Gardez les outils propres, à sec et exempts d'huile ou de graisse. Le nettoyage doit se faire avec un linge humide et un savon doux. Certains nettoyants tels l'essence, la térébenthine, les diluants à laque ou à peinture, les solvants chlorés, l'ammoniac et les détergents d'usage domestique qui en contiennent pourraient détériorer le plastique et l'isolation des pièces. Ne laissez jamais de solvants inflammables ou combustibles auprès des outils.

Réparations

Pour les réparations, retournez outil, batterie et chargeur en entier au centre-service autorisé le plus près

ACCESSOIRES

AVERTISSEMENT L'utilisation d'autres accessoires que ceux qui sont spécifiquement recommandés pour cet outil peut comporter des risques.

Pour une liste complète des accessoires, visiter le site internet www.milwaukeetool.com ou contactez un distributeur.

SERVICE - CANADA

Milwaukee Tool (Canada) Ltd

1.800.268.4015

Monday-Friday, 7:00 AM - 4:30 PM CST

www.milwaukeetool.ca

GARANTIE LIMITÉE - AUX ÉTATS-UNIS ET AU CANADA

Chaque outil électrique* MILWAUKEE (voir les exceptions ci-dessous) est garanti uniquement à l'acheteur d'origine d'être exempt de tous défauts de matériau et de main-d'œuvre. Sous réserve de certaines exceptions, MILWAUKEE réparera ou remplacera toute pièce d'un outil électrique qui, après examen par MILWAUKEE, est affectée d'un vice de matériau ou de main-d'œuvre pendant une période de cinq (5) ans** après la date d'achat, sauf indication contraire. Il faudra retourner l'outil

électrique à un centre de service en usine MILWAUKEE ou à un poste d'entretien agréé MILWAUKEE, en port prépayé et assuré. Une copie de la preuve d'achat doit être présentée lors du retour du produit. Cette garantie ne couvre pas les dommages que MILWAUKEE détermine d'être causés par des réparations ou des tentatives de réparation par quiconque d'autre que le personnel agréé par MILWAUKEE, des utilisations incorrectes, des altérations, des utilisations abusives, une usure normale, une carence d'entretien ou les accidents.

Usure normale : Par rapport à plusieurs outils électriques, il faut remplacer et entretenir leurs pièces afin d'achever leur rendement optimal. Cette garantie ne couvre pas les cas de réparation lorsque la vie utile normale de la pièce s'est terminée, incluant, sans s'y limiter, les mandrins, les balais, les câbles, les patins de scie, les brides de lame, les joints toriques, les embouts, les butoirs, les lames d'entraînement, les pistons, les perceurs, les poussoirs et les rondelles de protection de butoir.

* Cette garantie ne s'applique pas aux cloueuses-agrafeuses pneumatiques, aux pulvérisateurs à peinture sans air, aux blocs-piles pour outils sans fil, aux générateurs d'alimentation portatifs à essence, aux outils à main, aux monte-charge électriques, à levier et à chaîne (manuel), aux vêtements chauffants M12™, aux produits réunis, ni aux produits d'essai et de mesure. Il y a d'autres garanties différentes disponibles pour ces produits.

** La période de garantie couvrant les radios de chantier, le port d'alimentation M12™, la source d'alimentation M18™, le ventilateur de chantier et les chariots de chantier industriels Trade Titan™ est d'une durée d'un (1) an à partir de la date d'achat. La période de la garantie pour les clés à chocs à couple élevé à poignée en « D » de 1" M18 FUEL™, les câbles de nettoyage de drain, les accessoires pour pistolet pneumatique de nettoyage de drains AIRSNAKE™, les niveaux laser USB REDLITHIUM™ et les furets de 0,3 m (25") TRAPSAKE™ avec CABLE DRIVE™ est d'une durée de deux (2) ans à partir de la date d'achat. La période de la garantie pour le pistolet thermique compact M18™, l'extracteur de poussière de 30,3 l (8 gal), les cloueuses de charpenterie M18™, la clé à chocs à couple contrôlé à enclume extérieure de 1/2" M18 FUEL™ avec ONE-KEY™, la clé à chocs à couple élevé de 1" M18 FUEL™ avec ONE-KEY™, le compresseur silencieux compact de 7,6 l (2 gal) M18 FUEL™, les niveaux laser M12™, le détecteur de laser de 19,8 m (165'), la cloueuse à chevilles 23 GA M12™, la riveteuse aveugle de 6,4 mm (1/4") M18 FUEL™ avec ONE-KEY™, le tampon de pneu basse vitesse M12 FUEL™, les polisseuses à orbite aléatoire M18 FUEL™ et les agrafeuses utilitaires pour clôture M18™ est d'une durée de trois (3) ans à partir de la date d'achat. La période de la garantie pour la lumière à DEL d'une lampe de travail à DEL et l'ampoule transformée à DEL d'une lampe de travail est d'une durée égale à la vie utile du produit en raison des limites précédentes. Si la lumière à DEL ou l'ampoule à DEL tombe en panne durant l'usage normal, la pièce devra être remplacée gratuitement. L'inscription de la garantie n'est pas nécessaire pour bénéficier de la garantie en vigueur d'un outil électrique MILWAUKEE. La date de fabrication du produit servira à établir la période de garantie si aucune preuve d'achat n'est fournie lorsqu'une demande de service sous garantie est faite.

L'ACCEPTATION DES RECOURS EXCLUSIFS DE RÉPARATION ET DE REMPLACEMENT DÉCRITS PAR LA PRÉSENTE EST UNE CONDITION DU CONTRAT D'ACHAT DE TOUT PRODUIT MILWAUKEE. SI VOUS N'ACCEPTÉZ PAS CETTE CONDITION, VOUS NE DEVEZ PAS ACHETER LE PRODUIT. EN AUCUN CAS MILWAUKEE NE SAURAIT ÊTRE RESPONSABLE DE TOUT DOMMAGE ACCESSOIRE, SPÉCIAL OU INDIRECT, DE DOMMAGES-INTÉRÊTS PUNITIFS OU DE TOUTE DÉPENSE, D'HONORAIRES D'AVOCATS, DE FRAIS, DE PERTE OU DE DELAIS ACCESSOIRES À TOUT DOMMAGE, DÉFAILLANCE OU DÉFAUT DE TOUT PRODUIT, Y COMPRIS NOTAMMENT LES PERTES DE PROFIT. CERTAINS ÉTATS ET PROVINCES NE PERMETTANT L'EXCLUSION OU LA LIMITATION DES DOMMAGES DIRECTS OU INDIRECTS, LES RESTRICTIONS CI-DESSUS PEUVENT NE PAS ÊTRE APPLICABLES. CETTE GARANTIE EST EXCLUSIVE ET REMPLACE TOUTE AUTRE GARANTIE EXPRESSE, QU'ELLE SOIT VERBALE OU ÉCRITE. DANS LA MESURE PERMISE PAR LA LOI, MILWAUKEE RENONCE À TOUTE GARANTIE IMPLICITE, Y COMPRIS, SANS S'Y LIMITER, TOUTE GARANTIE IMPLICITE DE COMMERCIALISABILITÉ OU D'ADAPTATION À UNE UTILISATION OU À UNE FIN PARTICULIÈRE. DANS LA MESURE OU UNE TELLE STIPULATION D'EXONÉRATION N'EST PAS PERMISE PAR LA LOI, LA DURÉE DE CES GARANTIES IMPLICITES EST LIMITÉE À LA PÉRIODE APPLICABLE DE LA GARANTIE EXPRESSE, TELLE QUE CELA EST DÉCRIT PRÉCÉDEMMENT. CERTAINES PROVINCES NE PERMETTANT PAS DE LIMITATION DE DURÉE DES GARANTIES IMPLICITES, LES RESTRICTIONS CI-DESSUS PEUVENT NE PAS ÊTRE APPLICABLES. LA PRÉSENTE CONFÈRE À L'UTILISATEUR DES DROITS LÉGAUX PARTICULIERS; IL BÉNÉFICIE ÉGALEMENT D'AUTRES DROITS QUI VARIENT D'UNE PROVINCE À L'AUTRE. Cette garantie s'applique uniquement aux produits vendus aux États-Unis et au Canada.

Veillez consulter l'onglet « Trouver un centre de service », dans la section « Pièces et service » du site web de MILWAUKEE, à l'adresse www.milwaukeetool.com, ou composer le 1-800-SAWDUST (1-800-729-3878) afin de trouver le centre de service de votre région le plus proche pour l'entretien, sous garantie ou non, de votre outil électrique Milwaukee.

ADVERTENCIAS DE SEGURIDAD GENERALES PARA LA HERRAMIENTA ELÉCTRICA

⚠️ ADVERTENCIA Lea todas las advertencias de seguridad, instrucciones, ilustraciones y especificaciones con esta herramienta eléctrica. Si no sigue todas las advertencias e instrucciones, se pueden provocar una descarga eléctrica, un incendio o lesiones graves. Guarde todas las advertencias e instrucciones para consultarlas en el futuro. El término "herramienta eléctrica" en todas las advertencias incluidas más abajo se refiere a su herramienta operada por conexión (cable) a la red eléctrica o por medio de una batería (inalámbrica).

SEGURIDAD EN EL ÁREA DE TRABAJO

- **Mantenga el área de trabajo limpia y bien iluminada.** Las áreas desordenadas u oscuras son propicias para los accidentes.
- **No utilice herramientas eléctricas en atmósferas explosivas, tales como en presencia de líquidos, gases o polvos inflamables.** Las herramientas eléctricas generan chispas que pueden encender el polvo o los vapores.
- **Mantenga a los niños y a los espectadores alejados mientras utiliza una herramienta eléctrica.** Las distracciones pueden ocasionar la pérdida de control.

SEGURIDAD ELÉCTRICA

- **Los enchufes de la herramienta eléctrica deben coincidir con el tomacorriente. Nunca modifique el enchufe de ninguna manera. No utilice adaptadores de enchufe con herramientas eléctricas aterrizadas.** Los enchufes y tomacorrientes correspondientes sin modificar reducirán el riesgo de descarga eléctrica.
- **Evite el contacto corporal con superficies aterrizadas, tales como tuberías, radiadores, estufas y refrigeradores.** Existe un riesgo mayor de descarga eléctrica si su cuerpo está aterrizado.
- **No exponga las herramientas eléctricas a la lluvia ni a condiciones húmedas.** Si se introduce agua en una herramienta eléctrica, aumentará el riesgo de descarga eléctrica.
- **No maltrate el cable. Nunca utilice el cable para cargar, jalar o desconectar la herramienta eléctrica. Mantenga el cable alejado del calor, el aceite, los bordes afilados o las partes en movimiento.** Los cables dañados o enredados aumentan el riesgo de descarga eléctrica.
- **Al utilizar una herramienta eléctrica en exteriores, utilice una extensión adecuada para uso en exteriores.** El uso de una extensión adecuada para el uso en exteriores disminuye el riesgo de descarga eléctrica.
- **Si es inevitable utilizar una herramienta eléctrica en un lugar húmedo, utilice un alimentador de corriente protegido con un interruptor de circuito por falla de conexión a tierra (GFCI).** El uso de un GFCI reduce el riesgo de descarga eléctrica.

SEGURIDAD PERSONAL

- **Manténgase alerta, atento a lo que está haciendo y utilice el sentido común al utilizar una herramienta eléctrica. No utilice una herramienta eléctrica mientras está cansado o bajo la influencia de drogas, alcohol o medicamentos.** Un momento de distracción al utilizar herramientas eléctricas puede ocasionar lesiones personales graves.

- **Utilice equipo de protección personal. Siempre use protección para los ojos.** El equipo de protección, tal como una máscara contra polvo, calzado antideslizante, casco o protección auditiva, utilizado para condiciones adecuadas disminuirá las lesiones personales.
- **Evite el arranque accidental. Asegúrese de que el interruptor esté en la posición de apagado antes de conectarlo a una fuente de poder y/o batería, levantar o trasladar la herramienta.** Trasladar herramientas con el dedo en el interruptor o energizar herramientas eléctricas que tienen el interruptor encendido propicia accidentes.
- **Retire cualquier llave de ajuste antes de entender la herramienta.** Una llave que se deje insertada en una parte giratoria de la herramienta eléctrica puede ocasionar lesiones personales.
- **No estire el cuerpo demasiado. Mantenga un buen contacto con los pies y el suelo y mantenga el equilibrio en todo momento.** Esto permite un mejor control de la herramienta eléctrica en situaciones inesperadas.
- **Vístase adecuadamente. No utilice ropa o joyería holgada. Mantenga el cabello y la ropa alejados de las partes móviles.** La ropa holgada, las alhajas o el cabello largo pueden quedarse atrapados en las partes móviles.
- **Si se proporcionan dispositivos para la conexión de instalaciones de extracción y recolección de polvo, cerciórese de que estén conectados y se utilicen correctamente.** El uso de dispositivos recolectores de polvo puede disminuir los riesgos relacionados con el polvo.
- **No permita que la familiaridad por el uso frecuente de las herramientas lo hagan sentirse seguro e ignorar los principios de seguridad de las herramientas.** Un descuido puede provocar lesiones graves en una fracción de segundo.

USO Y CUIDADO DE LAS HERRAMIENTAS ELÉCTRICAS

- **No fuerce la herramienta eléctrica. Utilice la herramienta eléctrica correcta para su aplicación.** La herramienta eléctrica correcta realizará el trabajo mejor y con mayor seguridad a la velocidad para la que fue diseñada.
- **No utilice la herramienta eléctrica si el interruptor no la enciende y la apaga.** Cualquier herramienta eléctrica que no pueda controlarse con el interruptor es peligrosa y debe repararse.
- **Desconecte el enchufe de la fuente de energía y/o quite la batería de la herramienta eléctrica, si es posible, antes de realizar cualquier ajuste, cambiar accesorios o almacenar las herramientas eléctricas.** Tales medidas preventivas de seguridad disminuyen el riesgo de que la herramienta eléctrica se encienda accidentalmente.
- **Almacene las herramientas eléctricas que no se estén utilizando fuera del alcance de los niños y no permita que personas que no estén familiarizadas con la herramienta eléctrica o con estas instrucciones la utilicen.** Las herramientas eléctricas son peligrosas en manos de usuarios sin capacitación.
- **Dé mantenimiento a las herramientas eléctricas y accesorios. Verifique que no haya desalinación, amarre de partes móviles, partes rotas o alguna otra condición que pueda afectar el funcionamiento de la herramienta eléctrica. Si se daña, asegúrese de que la herramienta eléctrica**

sea reparada antes de que se utilice. Muchos accidentes son ocasionados por herramientas eléctricas con mantenimiento deficiente.

- **Mantenga las herramientas de corte afiladas y limpias.** Las herramientas de corte correctamente mantenidas con bordes de corte afilados son menos propensas a atorarse y son más fáciles de controlar.
- **Utilice la herramienta eléctrica, los accesorios y las puntas, etc. de acuerdo con estas instrucciones, tomando en cuenta las condiciones de trabajo y el trabajo a realizar.** El uso de la herramienta eléctrica para operaciones diferentes a las previstas podría generar una situación peligrosa.
- **Mantenga las empuñaduras y ñas superficies de sujeción secas, limpias y libres de aceite y grasa.** Las empuñaduras y superficies de sujeción resbalosas no permiten el manejo y control seguros de la herramienta en situaciones inesperadas.

USO Y CUIDADO DE LAS HERRAMIENTAS CON BATERÍA

- **Recargue únicamente con el cargador especificado por el fabricante.** Un cargador que es adecuado para un tipo de batería puede crear un riesgo de incendio si se utiliza con otra batería.
- **Utilice las herramientas eléctricas únicamente con baterías específicamente diseñadas.** El uso de cualquier otra batería puede producir un riesgo de lesiones e incendio.
- **Cuando la batería no esté en uso, manténgala alejada de otros objetos metálicos como sujetapapeles, monedas, llaves, clavos, tornillos u otros objetos metálicos pequeños que puedan formar una conexión de una terminal a otra.** Crear un corto entre las terminales de la batería puede ocasionar quemaduras o un incendio.
- **Bajo condiciones de maltrato, el líquido puede ser expulsado de la batería, evite el contacto. En caso de contacto accidental, lave con agua. Si el líquido entra en contacto con los ojos, busque además ayuda médica.** El líquido expulsado de la batería puede causar irritación o quemaduras.
- **No use una batería o herramienta que se haya dañado o modificado.** Las baterías dañadas o modificadas pueden mostrar un comportamiento impredecible, causando incendios, explosión o riesgo de lesión.
- **No exponga una batería o herramienta al fuego o a temperatura excesiva.** La exposición a fuego o temperatura a más de 130° C (265° F) puede causar explosiones.
- **Siga todas las instrucciones de carga y no cargue la batería o la herramienta fuera del rango de temperatura especificado en las instrucciones.** La carga incorrecta o a temperaturas fuera del rango especificado puede dañar la batería y aumentar el riesgo de incendio.

MANTENIMIENTO

- **Lleve su herramienta eléctrica a servicio con un técnico calificado que use únicamente piezas de reemplazo idénticas.** Esto asegurará que la seguridad de la herramienta eléctrica se mantenga.
- **Nunca dé servicio a baterías dañadas.** Únicamente el fabricante o proveedores de servicio autorizados deben dar servicio a las baterías.

REGLAS ESPECIFICAS DE SEGURIDAD PARA LIJADORAS

- **El polvo recolectado durante el lijado de capas de acabado como poliuretano, aceite de linaza, etc., puede inflamarse por sí solo en el saco captapolvo o en otra parte, y puede causar un incendio. Para reducir el riesgo de incendio siempre vacíe con frecuencia el saco captapolvo (cada 10 ó 15 minutos) mientras está lijando, y nunca guarde ni deje la lijadora sin haber vaciado completamente el saco. También siga las recomendaciones de los fabricantes de acabados.**
- **ADVERTENCIA** Para reducir el riesgo de lesiones, al momento de realizar trabajos en situaciones donde haya presencia de polvo, utilice la protección respiratoria adecuada o utilice una solución de extracción de polvo que cumpla con los requisitos de la OSHA.
- **Válgase siempre de su sentido común y sea cuidadoso cuando utilice herramientas.** No es posible anticipar todas las situaciones que podrían tener un desenlace peligroso. No utilice esta herramienta si no entiende estas instrucciones de uso o si considera que el trabajo a realizar supera sus capacidades, comuníquese con Milwaukee Tool o con un profesional capacitado para recibir capacitación o información adicional.
- **Conservar las etiquetas y las placas nominales.** Contienen información importante. Si son ilegibles o no están presentes, comuníquese con un centro de servicio MILWAUKEE para obtener un reemplazo gratuito.
- **ADVERTENCIA** Algunos polvos generados por el lijado eléctrico, aserrado, pulido, taladrado y otras actividades de construcción contienen químicos identificados como causantes de cáncer, defectos congénitos u otros daños reproductivos. Algunos ejemplos de estos químicos son:
 - plomo de pintura basada en plomo
 - dióxido de silicio de los ladrillos y el cemento y otros productos de albañilería y
 - arsénico y cromo de madera con tratamiento químico.Su riesgo por estas exposiciones varía, dependiendo de la frecuencia con que realice este tipo de trabajo. Para reducir su exposición a estos químicos: trabaje en un área bien ventilada y trabaje con equipo de seguridad aprobado, como mascarillas protectoras contra polvo especialmente diseñadas para filtrar partículas microscópicas.

SIMBOLOGÍA



Volts



Corriente continua

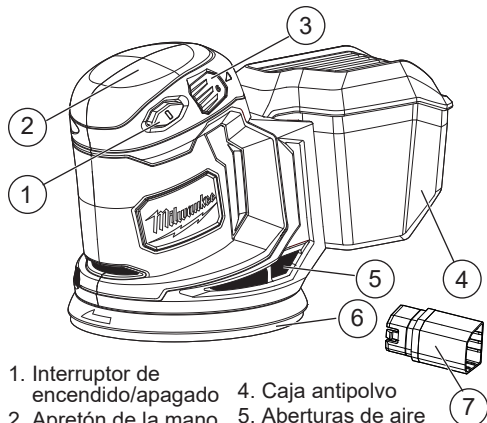


Orbitas Por Minuto (OPM)



UL Listing Mark para Canadá y Estados Unidos

DESCRIPCION FUNCIONAL



1. Interruptor de encendido/apagado
2. Apretón de la mano
3. Interruptor de velocidad variable
4. Caja antipolvo
5. Aberturas de aire
6. Almohadilla de respaldo
7. Extensor

ESPECIFICACIONES

Cat. No.....	2648-20
Volts.....	18 CD
Tipo de batería.....	M18™
Tipo de cargador.....	M18™
Orbitas por minuto.....	7 000-12 000
Tamaño.....	125 mm (5")
Temperatura ambiente recomendada para operar.....	-18°C to 50°C (0°F to 125°F)

ENSAMBLAJE

⚠ ADVERTENCIA Recargue la batería sólo con el cargador especificado para ella. Para instrucciones específicas sobre cómo cargar, lea el manual del operador suministrado con su cargador y la batería.

Como se inserta/quita la batería en la herramienta

Para retirar la batería, presione los botones de liberación y jale de la batería para sacarla de la herramienta.

⚠ ADVERTENCIA Siempre el retire la batería cada vez que la herramienta no esté en uso.

Para introducir la batería, deslícela en el cuerpo de la herramienta. Asegúrese de que quede bien firme en su posición.

⚠ ADVERTENCIA Utilice únicamente accesorios específicamente recomendados para esta herramienta. El uso de accesorios no recomendados podría resultar peligroso.

Selección de papeles de lija y materiales abrasivos

Los papeles de lija se pueden hacer de varios tipos de materiales abrasivos que se deben seleccionar de acuerdo con el material que se va a lijar. Las pautas siguientes ofrecen una lista de los materiales con los materiales abrasivos que deben utilizarse según los casos.

- **Trabajos finos en madera** – polvo de granate u óxido de aluminio
- **Trabajos rugosos en madera** – zirconia de aluminio u óxido de aluminio cerámico (refractario)
- **Productos fabricados en madera** (tableros hechos de partículas de madera, cartón duro de media densidad, etc.) – carburo de silicio u óxido de aluminio
- **Materiales de superficies sólidas** (Corian®, cuarzo, granito, etc.) – carburo de silicio u óxido de aluminio
- **Metales** – esmeril u óxido de aluminio

El papel de lija también se clasifica por aspereza. Comience su trabajo con un abrasivo lo suficientemente áspero para acabar con los puntos más elevados y las rugosidades excesivas. Siga con un segundo lijado usando un nivel de abrasivo uno o dos grados más fino. Continúe trabajando con abrasivos sucesivamente más finos hasta que obtenga el acabado deseado.

No pase de un abrasivo áspero a otro muy fino porque puede ser difícil borrar las marcas dejadas por el abrasivo áspero. Utilice los abrasivos más finos, que son más prácticos en la operación de poner áspera la superficie, y termínela usando abrasivos sucesivamente más finos.

Abrasivo	Tipo	Aplicaciones típicas
60 80	Aspero	Ideal para el lijado inicial de superficies muy rugosas. Para quitar rápidamente el material. Lijado basto para quitar la pintura y el óxido de las superficies.
100 120	Medio	Para el lijado intermedio y para lijar imperfecciones menores en la superficie.
150 180 220	Fino	Ideal para el lijado fino antes de la coloración, la imprimación o el sellado.

Colocación de los discos de lija de gancho y lazada

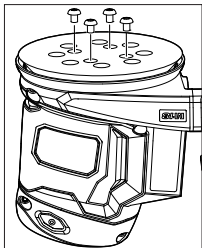
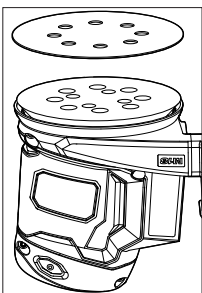
1. Retire el paquete de baterías.
2. Alinee los orificios del disco de lija de gancho y lazada con los orificios de la almohadilla, y después oprima cuidadosamente el lado rizado del disco de lija contra la almohadilla tan ajustadamente como sea posible.

NOTA: Los discos de lija del tipo de gancho y lazada pueden reutilizarse durante la vida de servicio del material abrasivo de lijado del disco. Se recomienda mantener limpia la almohadilla de respaldo del disco de lija para poder lograr una adhesión óptima. Límpiela ocasionalmente cepillándola ligeramente con un cepillo pequeño.

Cambio de almohadilla de respaldo

La lijadora viene con la almohadilla de gancho y lazada puesta. Para fijar la almohadilla autoadhesiva (PSA), es necesario desprender primero la almohadilla de gancho y lazada. Inspeccione el almohadilla de respaldo antes de fijarlo. No lo utilice si está roto o defectuoso.

1. Retire el paquete de baterías.
2. Retire los cuatro tornillos encargados de fijar la almohadilla de gancho y lazada en su lugar.
3. Retire la almohadilla de gancho y lazada.
4. Limpie las partículas de polvo del freno de la almohadilla.
5. Aplique una capa delgada de grasa de baja viscosidad en la parte posterior de la almohadilla.
6. Alinee los orificios de la almohadilla autoadhesiva (PSA) con los cuatro orificios para tornillo de la lijadora.
7. Fije firmemente los cuatro tornillos.



Colocación de los discos de lija PSA

1. Retire el paquete de baterías.
2. Desprenda con cuidado el papel protector del disco de lija autoadhesivo.
3. Alinee los orificios del disco de lija con los orificios de la almohadilla de respaldo, y después oprima cuidadosamente el lado adhesivo del disco de lija contra la almohadilla tan ajustadamente como sea posible.

NOTA: Los orificios del disco de lija deben quedar alineados con la almohadilla de respaldo con el fin de que sea eficaz la característica de eliminación de polvo de la lijadora.

NOTA: Se recomienda limpiar ocasionalmente la almohadilla de respaldo cepillándola ligeramente con un cepillo pequeño. La acumulación de polvo podría impedir al disco de lija adherirse adecuadamente.

Desprenda el disco de lija PSA antes de guardar la unidad

No guarde la lijadora con el disco de lija puesto. El calor generado por el lijado hace fluir el adhesivo y éste forma una unión firme entre la almohadilla de respaldo y el disco de lija.

Retirando el disco de lija con prontitud después de terminarse las operaciones de lijado se evita la solidificación del adhesivo. Si se deja el disco de lija en la almohadilla de respaldo durante un período de tiempo prolongado después de usarse, se solidifica el adhesivo y se dificulta el desprendimiento del disco. Puede llegar a romperse durante el desprendimiento. Cuando ocurre esta situación, se dificulta limpiar la almohadilla de respaldo para el siguiente disco de lija.

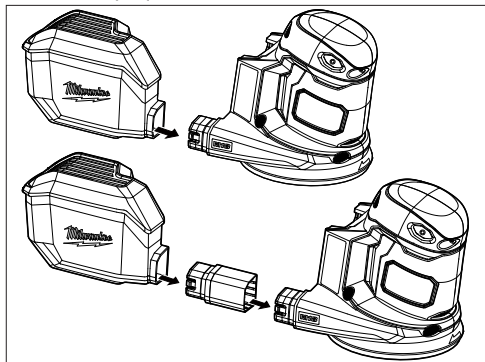
NOTA: Si olvida desprender el disco de lija después de una operación de lijado, lije durante unos pocos minutos para suavizar el adhesivo antes de intentar desprender el disco de lija.

⚠ ADVERTENCIA El polvo recolectado durante el lijado de capas de acabado como poliuretano, aceite de linaza, etc., puede inflamarse por sí solo en el saco captapolvo o en otra parte, y puede causar un incendio. Para reducir el riesgo de incendio siempre vacíe con frecuencia el saco captapolvo (cada 10 ó 15 minutos) mientras está lijando, y nunca guarde ni deje la lijadora sin haber vaciado completamente el saco. También siga las recomendaciones de los fabricantes de acabados.

Caja antipolvo con filtro

La caja antipolvo proporciona un sistema de recolección de polvo y filtración de aire para la lijadora. El polvo de lijado se succiona a través de orificios en la almohadilla para lijado y se recolecta en la caja antipolvo durante el lijado. Para utilizar la caja antipolvo:

1. Retire el paquete de baterías.



2. Para **insertar**, deslice la tolva de la caja antipolvo en el puerto de polvo de la lijadora. Asegúrese de que las rejillas de la caja antipolvo estén orientadas hacia arriba y empuje la lijadora y la caja antipolvo firmemente para unir las. Utilice el extensor cuando utilice baterías M18™ más grandes.
3. Para **retirar**, sujete la lijadora y la caja antipolvo firmemente y sepárelas.

OPERACION

4. Para **vaciar**, usando la pestaña de la parte, quite la tapa de caja. Vacíe el polvo de la caja antipolvo y dé pequeños golpecitos al filtro para limpiarlo. No limpie el filtro con agua ni con aire comprimido. Cambie el filtro cuando sea necesario (Cat. No. 43-31-0105). **Vuelva a instalar** el tapa y asegúrese de que encaje en su lugar.

Para lograr un desempeño más eficiente de la unidad, vacíe el saco captapolvo antes de que se llene a la mitad. De esta manera se permite que el aire fluya mejor a través del saco. Siempre vacíe y limpie a fondo el saco captapolvo al completar una operación de lijado y antes de guardar la lijadora.

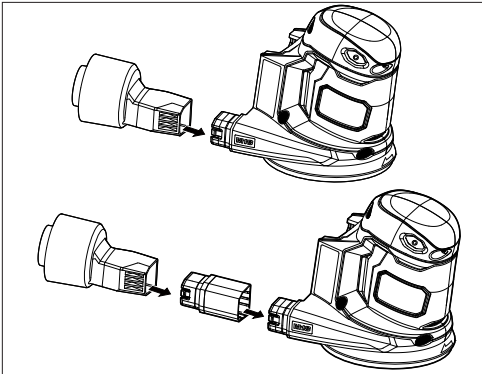
Adaptador de manguera universal

Use el adaptador de manguera universal para unir la lijadora a una manguera de succión.

1. Retire el paquete de baterías.
2. Retire la caja antipolvo de la lijadora.
3. Para insertar, deslice el adaptador en el puerto de polvo de la lijadora. Empuje la lijadora y el adaptador firmemente entre sí para unirlos. Conecte la manguera de succión al adaptador, atornillándolos entre sí para sujetarlos.

NOTA: para la longitud adicional utilice el extensor.

4. Para retirar, desconecte la manguera de succión del adaptador. Luego sujete la lijadora y el adaptador firmemente y sepárelos.



ADVERTENCIA Cuando la lijadora no esté conectada a una aspiradora, siempre vuelva a instalar el conjunto del saco captapolvo en la lijadora. La inobservancia de esta advertencia puede causar el lanzamiento de polvo, virutas o partículas sueltas a los ojos, con las consiguientes posibles lesiones serias.

ADVERTENCIA Para reducir el riesgo de lesiones, siempre retire la batería antes de cambiar o quitar los accesorios o realizar ajustes. Utilice únicamente accesorios recomendados específicamente para esta herramienta. Otros pueden ser peligrosos.

Siempre utilice la protección de ojos adecuada indicada para cumplir con lo dispuesto en la norma ANSI Z87.1.

Al momento de realizar trabajos en situaciones donde haya presencia de polvo, utilice la protección respiratoria adecuada o utilice una solución de extracción de polvo que cumpla con los requisitos de la OSHA.

Para encender y detener la herramienta

Para **arrancar** la lijadora, presione el botón de ENCENDIDO (I).

Para **detener** la lijadora, presione el botón de APAGADO (O).

Indicador de velocidad

El indicador de velocidad permite que la lijadora opere a velocidades variables, desde velocidad baja (1) hasta velocidad alta (6).

1. Para aumentar la velocidad del disco de lijado, ponga el indicador en un ajuste más alto.
2. Para disminuir la velocidad del disco de lijado, ponga el indicador en un ajuste más bajo.

ADVERTENCIA El lijado final puede producir nubes de polvo fino que se pueden incendiar en presencia de chispas o llamas. Lleve siempre una máscara conveniente contra el polvo o un respirador y use su lijadora en un área bien ventilada.

Para reducir el riesgo de lesiones, inspeccione y retire todos los tornillos y sujetadores realizados de la pieza de trabajo antes de empezar a lijar. Golpear un sujetador durante el lijado puede causar la pérdida de control.

Pautas generales para lijar con lijadoras de órbita aleatoria

Al usar las lijadoras de órbita aleatoria, hay unas cuantas cosas que hay que tener en cuenta:

- A diferencia de la mayoría de las lijadoras, las lijadoras de órbita aleatoria se deben colocar en la pieza que se va a trabajar ANTES de encender la herramienta. Si se enciende la lijadora antes de colocarse en la pieza, la almohadilla de desplazamiento libre puede empezar a girar a una velocidad que puede arañar la pieza cuando finalmente se coloque la lijadora sobre la misma.
- A diferencia de la mayoría de las lijadoras, las lijadoras de órbita aleatoria se pueden mover por la pieza que se trabaja en cualquier dirección (en el caso de la madera, no importa la dirección de las vetas).
- Si se varía la presión aplicada sobre la lijadora, afectará su velocidad de rotación. Se recomienda una presión ligera para trabajos finos y una presión moderada para trabajos más toscos. Si se ejerce una presión excesiva, esta hace que la almohadilla no rote lo suficiente.

MANTENIMIENTO

•Mantenga la almohadilla de lijado plana sobre la pieza que se trabaja. La inclinación de la lijadora o el uso de los bordes de la almohadilla puede producir un acabado no uniforme y reduce por otra parte la vida de la almohadilla.

•Procure mover la lijadora por la pieza de trabajo en amplios movimientos iguales. Lijar por un largo tiempo en un sólo lugar puede formar acanaladuras dando como resultado una superficie no uniforme.

•Compruebe frecuentemente la pieza en la que trabaja ya que las lijadoras de órbita aleatoria funcionan de forma más agresiva que las lijadoras de órbita simple.

⚠ADVERTENCIA Asegure debidamente la pieza de trabajo antes de empezar a lijar. Si no se asegura la pieza de trabajo puede salir lanzada hacia el operador y causarle lesiones.

Para reducir el riesgo de lesiones, no utilice ropa ni joyería holgada cuando opere la lijadora. Podría atorarse en las piezas móviles y provocar lesiones graves. Mantenga la cabeza alejada de la lijadora y el área de lijado. El cabello podría atorarse con la lijadora y provocar lesiones graves.

1. Coloque la lijadora en la pieza de trabajo y encienda la lijadora.
2. Mantenga el disco de la lijadora horizontal sobre la pieza de trabajo. Mantenga la lijadora moviéndose por la pieza de trabajo y realice movimientos de barrido largos.
3. Empiece a lijar con un papel de lija grueso y gradualmente use papel de lija más fino hasta que se alcance el acabado deseado. Por ejemplo, al usar la lijadora en maderas, empiece con un papel de lijado 80 seguido con uno de 120, luego con uno de 180 y así sucesivamente.

Quitar pintura o barniz

1. Cuando quite varias capas de pintura o barniz, quite la mayor cantidad posible con un solvente de pinturas o un quitador de barnices.
2. Raspe los restos de pintura o barniz con una espátula de enmasillar u otro utensilio de raspar y permita que la superficie se enfríe y seque antes de aplicar la lijadora a la pieza de trabajo.

⚠ADVERTENCIA Para reducir el riesgo de incendio y explosiones, se deben eliminar de la pieza de trabajo los solventes de pinturas y quitadores de barnices, y la pieza debe estar totalmente seca antes de empezar a lijar.

3. Seleccione un disco de papel de lija grueso para evitar que el papel de lija se obstruya.
4. Mantenga la lijadora moviéndose por las zonas nuevas para evitar calentar y ablandar la capa antigua (de pintura o barniz).
5. Trabaje con movimientos anchos que se solapen para así conseguir un acabado uniforme.
6. Cuando la pieza de trabajo empiece a aparecer a través de la capa antigua, cambie a un disco de papel de lija medio para evitar arañar la superficie de la pieza. Cambie gradualmente a papel de lija más fino hasta que consiga el acabado deseado.

⚠ADVERTENCIA Para reducir el riesgo de una lesión, desconecte siempre la herramienta antes de darle cualquier mantenimiento. Nunca desarme la herramienta ni trate de hacer modificaciones en el sistema eléctrico de la misma. Acuda siempre a un Centro de Servicio MILWAUKEE para TODAS las reparaciones.

Mantenimiento de las herramientas

Adopte un programa regular de mantenimiento y mantenga su herramienta en buenas condiciones. Inspeccione la herramienta para problemas como ruidos indebidos, desalineadas o agarratadas de partes móviles, piezas rotas o cualquier otra condición que pueda afectar el funcionamiento de la herramienta. Envíe su herramienta al Centro de Servicio MILWAUKEE para reparación. Después de 6 meses a un año, dependiendo del uso dado, envíe su herramienta al Centro de Servicio MILWAUKEE más cercano para la inspección.

Si la herramienta no arranca u opera a toda su potencia con una batería completamente cargada, limpie, con una goma o borrador, los contactos de la batería y de la herramienta. Si aun así la herramienta no trabaja correctamente, regrésela, con el cargador y la batería, a un centro de servicio MILWAUKEE.

⚠ADVERTENCIA Para reducir el riesgo de lesiones, descarga eléctrica o daño a la herramienta, nunca la sumerja en líquidos ni permita que estos fluyan dentro de la misma.

Limpieza

Limpie el polvo y suciedad de las cualquier ventilas. Mantenga los herramienta, limpios, secos y libres de aceite o grasa. Use solo jabón neutro y un trapo húmedo para limpiar, ya que algunos sustancias y solventes limpiadores son dañinos a los plásticos y partes aislantes. Algunos de estos incluyen: gasolina, turpentina, thinner, lacas, thinner para pinturas, solventes para limpieza con cloro, amoníaco y detergentes caseros que tengan amonía. Nunca usa solventes inflamables o combustibles cerca de una herramienta.

Reparaciones

Si su herramienta, batería o cargador están dañados, envíela al centro de servicio autorizado más cercano.

ACCESORIOS

⚠ADVERTENCIA Utilice sólo los accesorios específicamente recomendados. Otros accesorios puede ser peligroso.

Para una lista completa de accesorios, visite nuestro sitio en Internet: www.milwaukeetool.com o póngase en contacto con un distribuidor.

SOPORTE DE SERVICIO - MEXICO

CENTRO DE ATENCION A CLIENTES

Techtronic Industries Mexico, S.A. de C.V.

Av. Presidente Masarik 29 Piso 7

11560 Polanco V Seccion

Miguel Hidalgo, Distrito Federal, México

01 (800) 030-7777 o (55) 4160-3540

Lunes a Viernes (9am a 6pm)

O contáctanos en www.milwaukeetool.com.mx

GARANTÍA LIMITADA - E.U.A. Y CANADÁ

Cada herramienta eléctrica de MILWAUKEE (ver excepciones a continuación) está garantizada para el comprador original únicamente de que no tenga material y mano de obra defectuosos. Sujeto a ciertas excepciones, MILWAUKEE reparará o reemplazará cualquier parte en una herramienta eléctrica que tenga defectos de material o mano de obra según lo determine MILWAUKEE mediante una revisión, por un periodo de cinco (5) años** después de la fecha de compra a menos que se indique lo contrario. Al devolver la herramienta eléctrica a un Centro de Servicio de la fábrica de MILWAUKEE o a una Estación de Servicio Autorizada de MILWAUKEE, se requiere que el flete esté pagado por adelantado y asegurado. Se debe incluir una copia del comprobante de compra con el producto devuelto. Esta garantía no aplica a daños que MILWAUKEE determine que son ocasionados por reparaciones o intentos de reparaciones realizados por una persona que no sea personal autorizado de MILWAUKEE, uso indebido, alteraciones, maltrato, desgaste normal, falta de mantenimiento o accidentes.

Desgaste normal: Muchas herramientas eléctricas necesitan un reemplazo periódico de partes y servicio para lograr el mejor desempeño. Esta garantía no cubre la reparación cuando el uso normal haya agotado la vida de una parte, incluyendo sin limitar a mandriles, cepillos, cables, zapatas de la sierra, abrazaderas de la hoja, juntas tóricas, sellos, protectores, hojas de desatornilladores, pistones, herrajes, levatatadores y arandelas de cubierta de los protectores.

*Esta garantía no cubre clavadoras y grapadoras neumáticas, pistola de pintura a presión, baterías inalámbricas, generadores de energía portátil de gasolina, herramientas de mano, palanca y cadena de mano de polipasto - eléctricas, prendas calefactadas M12™, producto reacondicionado y productos de prueba y medición. Están disponibles distintas garantías independientes para estos productos.

**La vigencia de la garantía para los radios para obra, el puerto de energía M12™, la fuente de poder M18™, el ventilador para obra y las cartillas de trabajo industrial Trade Titan™ es de un (1) año a partir de la fecha de compra. La vigencia de la garantía para las llaves de impacto de alto torque con empuñadura en D de 1" M18 FUEL™, los cables de limpieza de drenajes, los accesorios de la pistola de aire para limpieza de drenajes AIRSNAKE™, los niveles láser USB REDLITHIUM™ y el barrenado de 0.3 m (25") TRAPSNAKE con CABLE DRIVE™ es de dos (2) años a partir de la fecha de compra. La vigencia de la garantía para la pistola de calor compacta M18™, el extractor de polvo de 30,3 l (8 gal.), las clavadoras de entramado M18™, la llave de impacto de torque controlado con yunque exterior de 1/2" M18 FUEL™ con ONE-KEY™, la llave de impacto de alto torque de 1" M18 FUEL™ con ONE-KEY™, el compresor silencioso compacto de 7.6 l (2 gal.) M18 FUEL™, los niveles láser M12™, el detector de láser de 19,8 m (65'), la clavadora de broches 23GA M12™, la ribeteadora ciega de 6,4 mm (1/4") M18 FUEL™ con ONE-KEY™, el raspador de neumáticos de baja velocidad M12 FUEL™, las pulidoras de órbita aleatoria M18 FUEL™ y la engrapadora multiusos para cerca M18™ es de tres (3) años a partir de la fecha de compra. La vigencia de la garantía para la luz LED de la lámpara de trabajo LED y del bulbo mejorado de LED de la lámpara de trabajo es de la vida útil del producto sujeto a las limitaciones anteriores. Si la luz LED o el bulbo LED falla durante el uso normal, se cambiará la pieza sin costo. No es necesario realizar el registro de la garantía para recibir la garantía correspondiente a un producto de herramienta eléctrica de MILWAUKEE. La fecha de fabricación del producto servirá para determinar la vigencia de la garantía si no se presenta ningún comprobante de compra al solicitar el servicio en garantía.

LA ACEPTACIÓN DE LOS RESARCIMIENTOS EXCLUSIVOS DE REPARACIÓN Y SUSTITUCIÓN AQUÍ DESCRITOS ES UNA CONDICIÓN DEL CONTRATO EN CUANTO A LA COMPRA DE TODO PRODUCTO DE MILWAUKEE. SI USTED NO ACEPTA ESTA CONDICIÓN, NO DEBE COMPRAR EL PRODUCTO. MILWAUKEE NO SERÁ RESPONSABLE EN NINGÚN CASO DE DAÑOS INCIDENTALES, ESPECIALES, EMERGENTES O PUNITIVOS NI DE NINGÚN COSTO, HONORARIOS DE ABOGADOS, GASTOS, PÉRDIDAS O DEMORAS QUE SUPUESTAMENTE SEAN CONSECUENCIA DE ALGÚN DAÑO, FALLA O DEFECTO DE ALGUNO DE LOS PRODUCTOS, INCLUYENDO, ENTRE OTROS, RECLAMACIONES POR PÉRDIDA DE UTILIDADES. ALGUNOS ESTADOS NO PERMITEN LA

EXCLUSIÓN O LIMITACIÓN DE RESPONSABILIDAD POR DAÑOS INCIDENTALES O EMERGENTES, POR LO QUE LA ANTERIOR LIMITACIÓN O EXCLUSIÓN PODRÍA NO APLICARSE EN SU CASO. ESTA GARANTÍA ES EXCLUSIVA Y SUSTITUYE TODAS LAS DEMÁS GARANTÍAS EXPRESAS, SEAN ESTAS ESCRITAS U ORALES. HASTA DONDE PERMITA LA LEY, MILWAUKEE DESCONOCE CUALQUIER GARANTÍA IMPLÍCITA, INCLUYENDO SIN LIMITACIÓN CUALQUIER GARANTÍA IMPLÍCITA DE COMERCIABILIDAD O IDONEIDAD PARA UN FIN O USO ESPECÍFICO; HASTA EN QUE DICHO DESCONOCIMIENTO NO SEA PERMITIDO POR LA LEY, DICHAS GARANTÍAS IMPLÍCITAS SE LIMITAN A LA DURACIÓN DE LA GARANTÍA EXPRESA CORRESPONDIENTE SEGÚN LO ARRIBA DESCRITO. ALGUNOS ESTADOS NO PERMITEN LIMITACIONES EN LA VIGENCIA DE UNA GARANTÍA IMPLÍCITA, POR LO QUE LA ANTERIOR LIMITACIÓN PODRÍA NO APLICAR A USTED. ESTA GARANTÍA LE CONFIERE DERECHOS JURÍDICOS ESPECÍFICOS Y USTED PODRÍA, ADEMÁS, TENER OTROS DERECHOS QUE VARIAN SEGÚN EL ESTADO.

Esta garantía aplica únicamente a los productos vendidos en EE. UU. y Canadá.

Consulte la pestaña "Búsqueda de centro de servicio" en la sección de "Piezas y servicio" del sitio web de MILWAUKEE en www.milwaukeeool.com o llame al 1.800.SAWDUST (1.800.729.3878) para localizar su centro de servicio más cercano para darle servicio con y sin garantía a una herramienta eléctrica de Milwaukee.

PÓLIZA DE GARANTÍA - VALIDA SOLO PARA MEXICO, AMÉRICA CENTRAL Y EL CARIBE

La garantía de TECHTRONIC INDUSTRIES es por 5 años a partir de la fecha original de compra.

Esta tarjeta de garantía cubre cualquier defecto de material y mano de obra en ese Producto.

Para hacer válida esta garantía, presente esta tarjeta de garantía, cerrada/sellada por el distribuidor o la tienda donde compró el producto, al Centro de Servicio Autorizado (ASC). O, si esta tarjeta no se ha cerrado/sellado, presente la prueba original de compra a ASC. Llame 55 4160-3547 para encontrar el ASC más cercano, para servicio, partes, accesorios o componentes.

Procedimiento para hacer válida esta garantía

Lleve el producto a ASC, junto con la tarjeta de garantía cerrada/sellada por el distribuidor o la tienda donde compró el producto, y cualquier pieza o componente defectuoso se reemplazará sin costo para usted. Cubriremos todos los costos de flete con relación a este proceso de garantía

Excepciones

Esta garantía no tendrá validez en las siguientes situaciones:

- a) Cuando el producto se use de manera distinta a la que indica el manual del usuario final o de instrucciones.
- b) Cuando las condiciones de uso no sean normales.
- c) Cuando otras personas no autorizadas por TECHTRONIC INDUSTRIES modifiquen o reparen el producto.

Nota: si el juego de cables está dañado, tiene que reemplazarse en un Centro de Servicio Autorizado para evitar riesgos eléctricos.

CENTRO DE SERVICIO Y ATENCIÓN

Llame al 55 4160-3547

IMPORTADO Y COMERCIALIZADO POR
TECHTRONIC INDUSTRIES, MÉXICO, S.A. DE C.V.
Miguel de Cervantes Saavedra No.301 Piso 5, Torre Norte
11520 Colonia Ampliación Granada
Miguel Hidalgo, Ciudad de Mexico, Mexico

Modelo: _____

Fecha de Compra: _____

Sello del Distribuidor: _____

MILWAUKEE TOOL
13135 West Lisbon Road
Brookfield, WI 53005 USA