

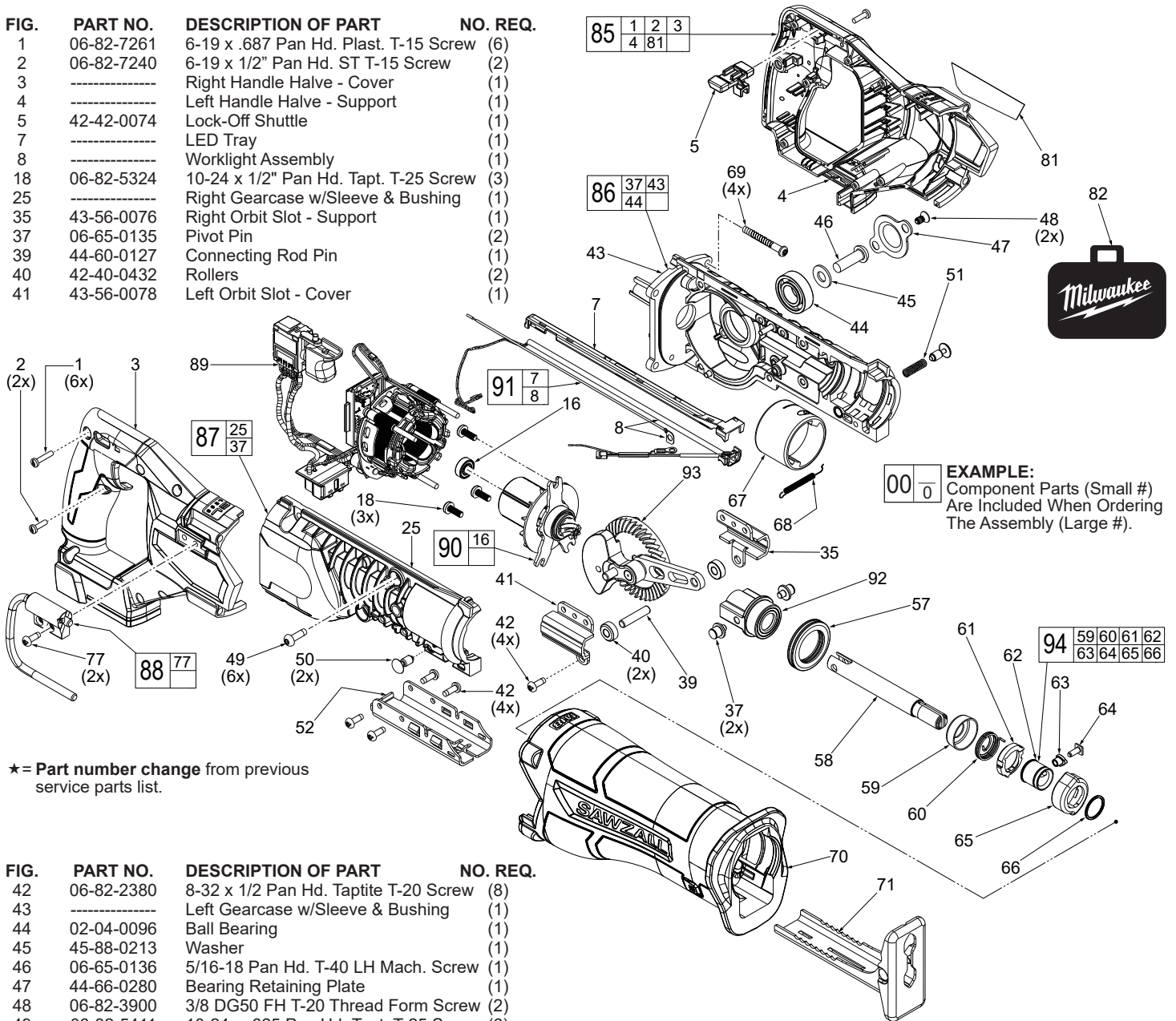


# SERVICE PARTS LIST

**BULLETIN NO.**  
**54-40-2831**

SPECIFY CATALOG NO. AND SERIAL NO. WHEN ORDERING PARTS		REVISED BULLETIN	DATE
<b>M18™ FUEL™ SAWZALL® Reciprocating Saw</b>		54-40-2830	March 2023
<b>CATALOG NO.</b>	<b>2821-20</b>	<b>WIRING INSTRUCTION</b>	
	<b>STARTING SERIAL NO.</b>	<b>SEE PAGE 3</b>	
	<b>L37B</b>		

FIG.	PART NO.	DESCRIPTION OF PART	NO. REQ.
1	06-82-7261	6-19 x .687 Pan Hd. Plast. T-15 Screw	(6)
2	06-82-7240	6-19 x 1/2" Pan Hd. ST T-15 Screw	(2)
3	-----	Right Handle Halve - Cover	(1)
4	-----	Left Handle Halve - Support	(1)
5	42-42-0074	Lock-Off Shuttle	(1)
7	-----	LED Tray	(1)
8	-----	Worklight Assembly	(1)
18	06-82-5324	10-24 x 1/2" Pan Hd. Tapt. T-25 Screw	(3)
25	-----	Right Gearcase w/Sleeve & Bushing	(1)
35	43-56-0076	Right Orbit Slot - Support	(1)
37	06-65-0135	Pivot Pin	(2)
39	44-60-0127	Connecting Rod Pin	(1)
40	42-40-0432	Rollers	(2)
41	43-56-0078	Left Orbit Slot - Cover	(1)



**EXAMPLE:**  
Component Parts (Small #)  
Are Included When Ordering  
The Assembly (Large #).

★ = Part number change from previous service parts list.

FIG.	PART NO.	DESCRIPTION OF PART	NO. REQ.
42	06-82-2380	8-32 x 1/2 Pan Hd. Taptite T-20 Screw	(8)
43	-----	Left Gearcase w/Sleeve & Bushing	(1)
44	02-04-0096	Ball Bearing	(1)
45	45-88-0213	Washer	(1)
46	06-65-0136	5/16-18 Pan Hd. T-40 LH Mach. Screw	(1)
47	44-66-0280	Bearing Retaining Plate	(1)
48	06-82-3900	3/8 DG50 FH T-20 Thread Form Screw	(2)
49	06-82-5411	10-24 x .625 Pan Hd. Tapt. T-25 Screw	(6)
50	42-42-0093	Shoe Button	(2)
51	40-50-0212	Shoe Button Spring	(1)
52	44-86-0028	Shoe Retainer	(1)
57	45-06-0065	'H' Seal	(1)
58	38-50-0102	Spindle	(1)
59	-----	Spring Cover	(1)
60	-----	Torsion Spring	(1)
61	-----	Rear Cam	(1)
62	-----	Sleeve	(1)
63	-----	Pin Sleeve	(1)
64	-----	Lock Pin	(1)
65	-----	Front Cam	(1)
66	34-60-3700	Retaining Ring	(1)
67	42-50-0022	Barrel Cam	(1)
68	40-50-8805	Extension Spring	(1)
69	06-82-0172	35mm Pan Hd. PT T-20 Screw	(4)
70	45-12-0027	Gearcase Insulator	(1)
71	45-16-0026	Shoe Assembly	(1)
77	05-74-0735	M4 x 10mm Fillister Head T-20 Screw	(2)
81	12-20-0248	Service Nameplate	(1)

FIG.	PART NO.	DESCRIPTION OF PART	NO. REQ.
82	42-55-0118	BMC	(1)
85	14-34-0144	Handle Halve Service Kit	(1)
86	28-14-0066	Left Gearcase Service Assembly	(1)
87	28-14-0068	Right Gearcase Service Assembly	(1)
88	43-74-0073	Rafter Hook Service Kit	(1)
★ 89	14-20-0304	Electronics Service Assembly	(1)
★ 90	14-08-0127	Rotor Service Assembly	(1)
91	14-20-0272	LED/Tray Service Assembly	(1)
92	42-40-0156	Front Bushing Assembly	(1)
93	14-09-0111	Crankshaft Service Assembly	(1)
94	42-68-0026	Quik-Lok Blade Clamp Assembly	(1)

## LUBRICATION

Use Type 'L' Grease, No. 49-08-4175 (16 oz. tub)

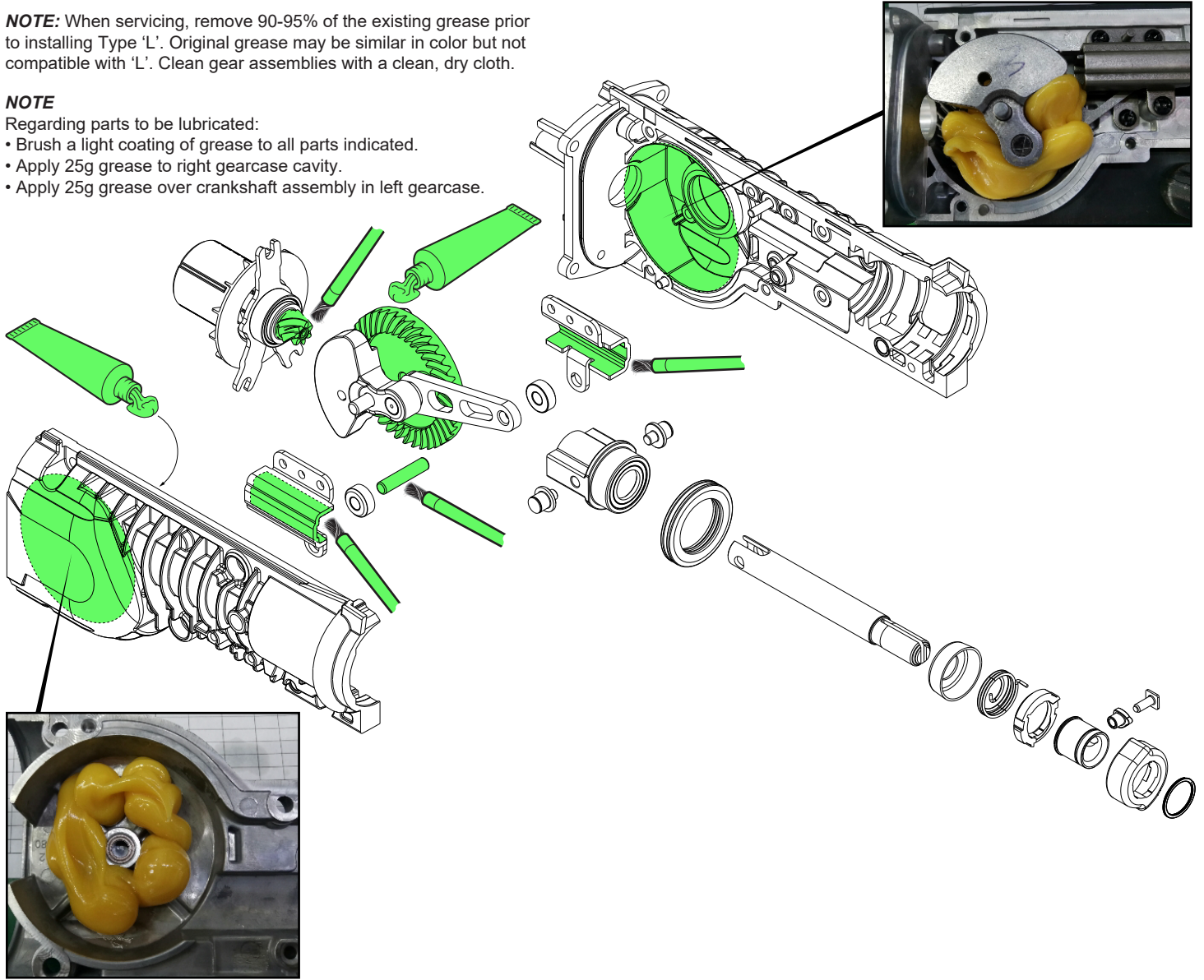
**NOTE:** When servicing, remove 90-95% of the existing grease prior to installing Type 'L'. Original grease may be similar in color but not compatible with 'L'. Clean gear assemblies with a clean, dry cloth.

### NOTE

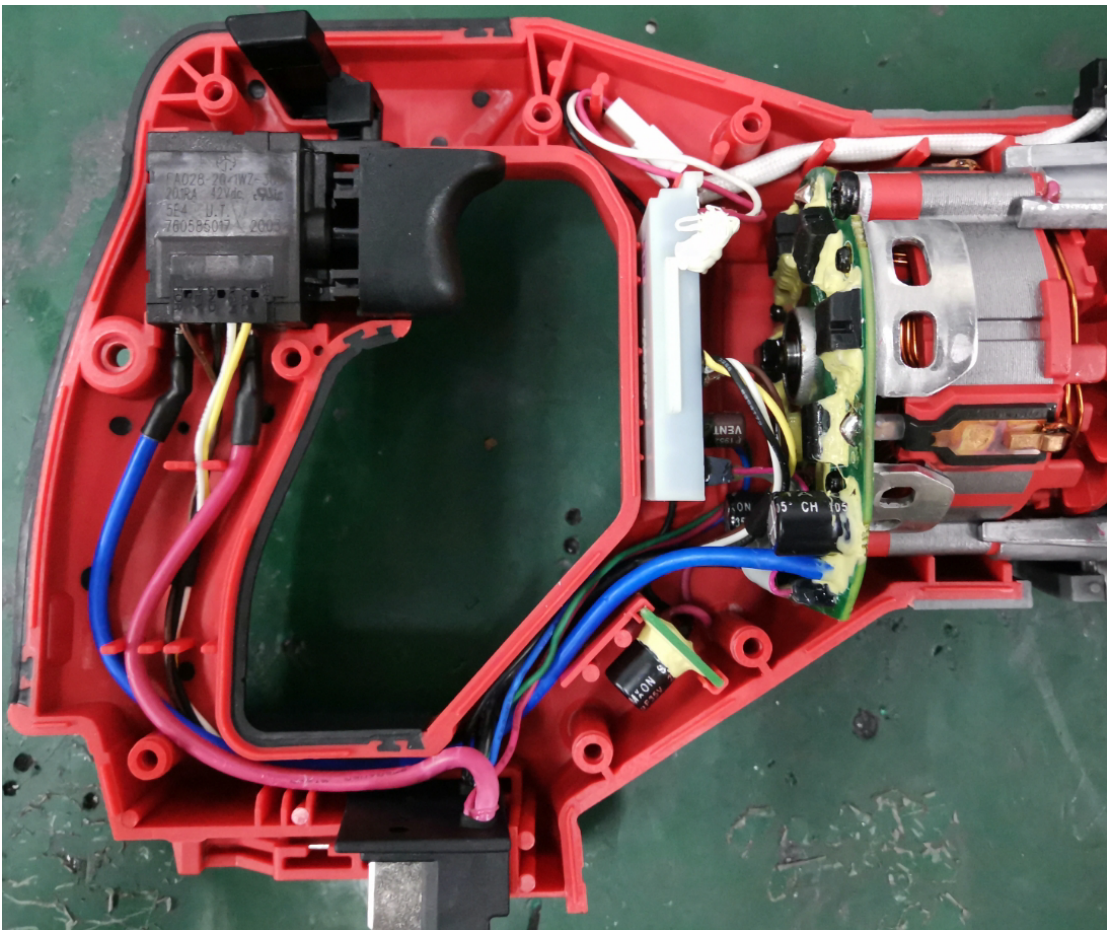
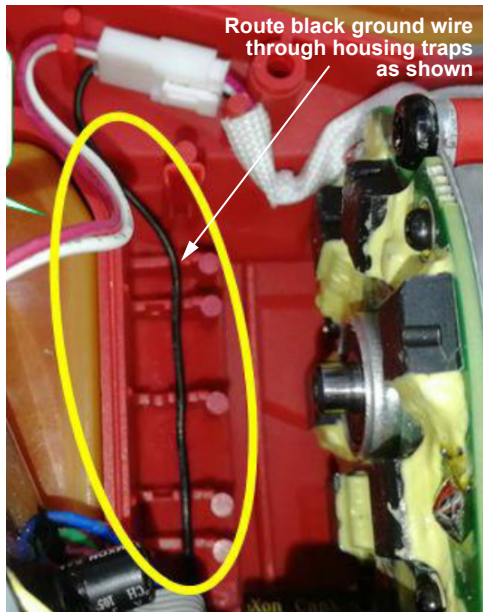
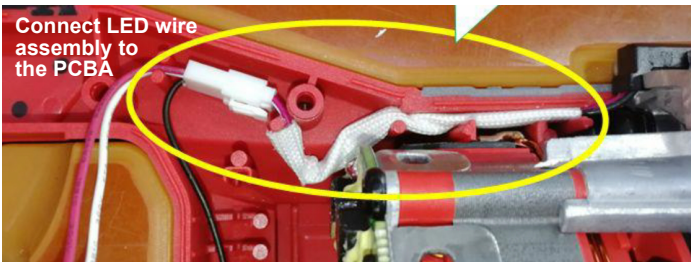
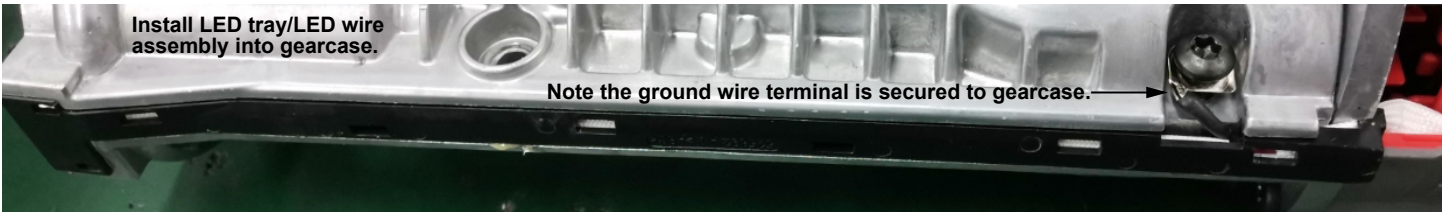
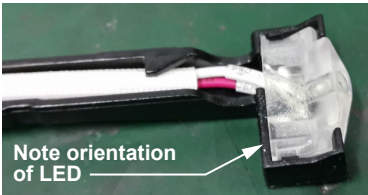
Regarding parts to be lubricated:

- Brush a light coating of grease to all parts indicated.
- Apply 25g grease to right gearcase cavity.
- Apply 25g grease over crankshaft assembly in left gearcase.

Install crankshaft assembly in left gearcase. Apply 25g of 'L' grease as shown.



Place 25g of 'L' grease in right gearcase cavity.



As an aid to reassembly, take notice of wire routings and position in wire guides and traps while dismantling tool.

Be sure that all components of electronics kit are seated firmly and squarely in housing recesses.

Avoid pinched wires, be sure that all wires and sleeves are pressed completely down in wire traps.

Prior to securing housing cover onto the housing support, be sure that there are no interferences.

Before installing the battery, check for proper functionality of shuttles and triggers.

Install battery and depress switch triggers to assure tool is operating properly.