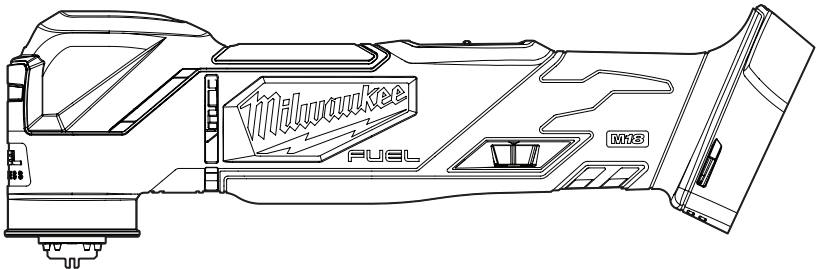




OPERATOR'S MANUAL
MANUEL de L'UTILISATEUR
MANUAL del OPERADOR



Cat. No. / No de cat.
2836-20

M18 FUEL™ OSCILLATING MULTI-TOOL
OUTIL POLYVALENT OSCILLANT M18 FUEL™
HERRAMIENTA MULTIPLE OSCILATORIA M18 FUEL™



WARNING To reduce the risk of injury, user must read and understand operator's manual.

AVERTISSEMENT Afin de réduire le risque de blessures, l'utilisateur doit lire et bien comprendre le manuel.

ADVERTENCIA Para reducir el riesgo de lesiones, el usuario debe leer y entender el manual.

GENERAL POWER TOOL SAFETY WARNINGS

WARNING Read all safety warnings, instructions, illustrations and specifications provided with this power tool. Failure to follow all instructions listed below may result in electric shock, fire and/or serious injury. Save all warnings and instructions for future reference. The term "power tool" in the warnings refers to your mains-operated (corded) power tool or battery-operated (cordless) power tool.

WORK AREA SAFETY

- Keep work area clean and well lit. Cluttered or dark areas invite accidents.
- Do not operate power tools in explosive atmospheres, such as in the presence of flammable liquids, gases or dust. Power tools create sparks which may ignite the dust or fumes.
- Keep children and bystanders away while operating a power tool. Distractions can cause you to lose control.

ELECTRICAL SAFETY

- Power tool plugs must match the outlet. Never modify the plug in any way. Do not use any adapter plugs with earthed (grounded) power tools. Unmodified plugs and matching outlets will reduce risk of electric shock.
- Avoid body contact with earthed or grounded surfaces, such as pipes, radiators, ranges and refrigerators. There is an increased risk of electric shock if your body is earthed or grounded.
- Do not expose power tools to rain or wet conditions. Water entering a power tool will increase the risk of electric shock.
- Do not abuse the cord. Never use the cord for carrying, pulling or unplugging the power tool. Keep cord away from heat, oil, sharp edges or moving parts. Damaged or entangled cords increase the risk of electric shock.
- When operating a power tool outdoors, use an extension cord suitable for outdoor use. Use of a cord suitable for outdoor use reduces the risk of electric shock.
- If operating a power tool in a damp location is unavoidable, use a ground fault circuit interrupter (GFCI) protected supply. Use of an GFCI reduces the risk of electric shock.

PERSONAL SAFETY

- Stay alert, watch what you are doing and use common sense when operating a power tool. Do not use a power tool while you are tired or under the influence of drugs, alcohol or medication. A moment of inattention while operating power tools may result in serious personal injury.
- Use personal protective equipment. Always wear eye protection. Protective equipment such as a dust mask, non-skid safety shoes, hard hat or hearing protection used for appropriate conditions will reduce personal injuries.
- Prevent unintentional starting. Ensure the switch is in the off-position before connecting to power source and/or battery pack, picking up or carrying the tool. Carrying power tools with your finger on the switch or energizing power tools that have the switch on invites accidents.

- Remove any adjusting key or wrench before turning the power tool on. A wrench or a key left attached to a rotating part of the power tool may result in personal injury.
- Do not overreach. Keep proper footing and balance at all times. This enables better control of the power tool in unexpected situations.
- Dress properly. Do not wear loose clothing or jewelry. Keep your hair and clothing away from moving parts. Loose clothes, jewelry or long hair can be caught in moving parts.
- If devices are provided for the connection of dust extraction and collection facilities, ensure these are connected and properly used. Use of dust collection can reduce dust-related hazards.
- Do not let familiarity gained from frequent use of tools allow you to become complacent and ignore tool safety principles. A careless action can cause severe injury within a fraction of a second.

POWER TOOL USE AND CARE

- Do not force the power tool. Use the correct power tool for your application. The correct power tool will do the job better and safer at the rate for which it was designed.
- Do not use the power tool if the switch does not turn it on and off. Any power tool that cannot be controlled with the switch is dangerous and must be repaired.
- Disconnect the plug from the power source and/or remove the battery pack, if detachable, from the power tool before making any adjustments, changing accessories, or storing power tools. Such preventive safety measures reduce the risk of starting the power tool accidentally.
- Store idle power tools out of the reach of children and do not allow persons unfamiliar with the power tool or these instructions to operate the power tool. Power tools are dangerous in the hands of untrained users.
- Maintain power tools and accessories. Check for misalignment or binding of moving parts, breakage of parts and any other condition that may affect the power tool's operation. If damaged, have the power tool repaired before use. Many accidents are caused by poorly maintained power tools.
- Keep cutting tools sharp and clean. Properly maintained cutting tools with sharp cutting edges are less likely to bind and are easier to control.
- Use the power tool, accessories and tool bits etc. in accordance with these instructions, taking into account the working conditions and the work to be performed. Use of the power tool for operations different from those intended could result in a hazardous situation.
- Keep handles and grasping surfaces dry, clean and free from oil and grease. Slippery handles and grasping surfaces do not allow for safe handling and control of the tool in unexpected situations.

BATTERY TOOL USE AND CARE

- Recharge only with the charger specified by the manufacturer. A charger that is suitable for one type of battery pack may create a risk of fire when used with another battery pack.
- Use power tools only with specifically designated battery packs. Use of any other battery packs may create a risk of injury and fire.

- When battery pack is not in use, keep it away from other metal objects, like paper clips, coins, keys, nails, screws or other small metal objects, that can make a connection from one terminal to another. Shorting the battery terminals together may cause burns or a fire.
- Under abusive conditions, liquid may be ejected from the battery; avoid contact. If contact accidentally occurs, flush with water. If liquid contacts eyes, additionally seek medical help. Liquid ejected from the battery may cause irritation or burns.
- Do not use a battery pack or tool that is damaged or modified. Damaged or modified batteries may exhibit unpredictable behavior resulting in fire, explosion or risk of injury.
- Do not expose a battery pack or tool to fire or excessive temperature. Exposure to fire or temperature above 265°F (130°C) may cause explosion.
- Follow all charging instructions and do not charge the battery pack or tool outside the temperature range specified in the instructions. Charging improperly or at temperatures outside the specified range may damage the battery and increase the risk of fire.

SERVICE

- Have your power tool serviced by a qualified repair person using only identical replacement parts. This will ensure that the safety of the power tool is maintained.
- Never service damaged battery packs. Service of battery packs should only be performed by the manufacturer or authorized service providers.

SPECIFIC SAFETY RULES FOR MULTI-TOOL

- Hold power tool by insulated gripping surfaces, when performing an operation where the cutting accessory may contact hidden wiring. Cutting accessory contacting a "live" wire may make exposed metal parts of the power tool "live" and could give the operator an electric shock.
- Use clamps or another practical way to secure and support the workpiece to a stable platform. Holding the work by hand or against your body leaves it unstable and may lead to loss of control.
- To reduce the risk of explosion, electric shock and property damage, always check the work area for hidden gas pipes, electrical wires or water pipes when making blind or plunge cuts.
- Keep hands away from all cutting edges and moving parts. Do not reach underneath the workpiece.
- Do not use dull or damaged blade, which can cause excessive friction, blade binding and kick-back.
- Know your workpiece. Remove nail and screw heads before scraping. Hitting hard objects with blade may cause the tool to kick back.
- **WARNING** To reduce the risk of injury, when working in dusty situations, wear appropriate respiratory protection or use an OSHA compliant dust extraction solution.
- Always use common sense and be cautious when using tools. It is not possible to anticipate every situation that could result in a dangerous outcome.

Do not use this tool if you do not understand these operating instructions or you feel the work is beyond your capability; contact Milwaukee Tool or a trained professional for additional information or training.

- **WARNING** Some dust created by power sanding, sawing, grinding, drilling, and other construction activities contains chemicals known to cause cancer, birth defects or other reproductive harm. Some examples of these chemicals are:
 - lead from lead-based paint
 - crystalline silica from bricks and cement and other masonry products, and
 - arsenic and chromium from chemically-treated lumber.
 Your risk from these exposures varies, depending on how often you do this type of work. To reduce your exposure to these chemicals: work in a well ventilated area, and work with approved safety equipment, such as those dust masks that are specially designed to filter out microscopic particles.

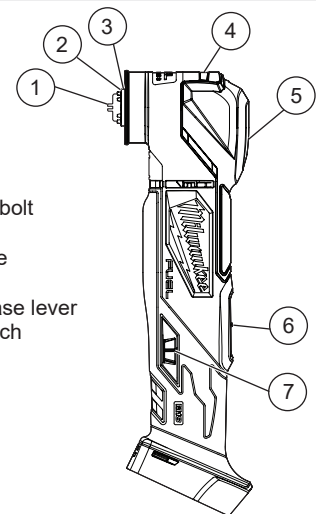
SYMBOLGY

	Volts
	Direct Current
OPM	Oscillations per Minute
	UL Listing for Canada and U.S.

SPECIFICATIONS

Cat. No.	2836-20
Volts.....	18 DC
Battery Type	M18™
Charger Type.....	M18™
No Load OPM.....	10,000 - 20,000
Recommended Ambient Operating Temperature.....	0°F to 125°F

FUNCTIONAL DESCRIPTION



1. Accessory bolt
2. Adapter
3. Inner flange
4. LED
5. Quick release lever
6. On/Off switch
7. Speed dial

ASSEMBLY

WARNING Recharge only with the charger specified for the battery. For specific charging instructions, read the operator's manual supplied with your charger and battery.

Removing/Inserting the Battery

To remove the battery, push in the release buttons and pull the battery pack away from the tool.

WARNING Always remove battery pack before changing or removing accessories.

To insert the battery, slide the pack into the body of the tool. Make sure it latches securely into place.

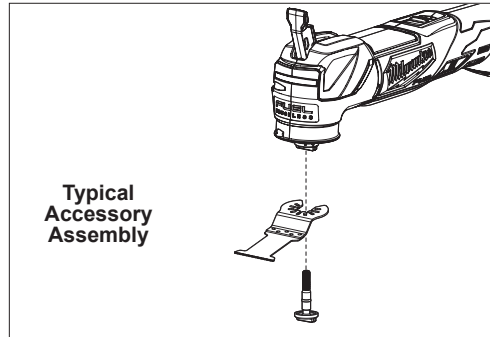
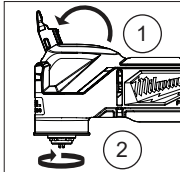
WARNING Only use accessories specifically recommended for this tool. Others may be hazardous.

Changing Accessories

1. Remove the battery pack.
2. Lift the quick release lever and push it firmly forward over the detent. (1)
3. Turn tool over.
4. Unscrew the accessory bolt. (2)
5. Remove any accessories.
6. Clean bolt, flange, and accessories of all dirt and debris.
7. Place the accessory and bolt onto the tool. Hand tighten securely.

NOTE: If the accessory does not fit snugly on the flange, an adapter may be necessary.

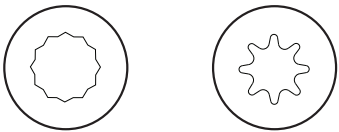
8. Press the quick release lever back into place.



Typical
Accessory
Assembly

Adapter

Blade adapter 48-03-2526 (available as an accessory) required for these arbor types.



OPERATION

WARNING To reduce the risk of injury, always wear proper eye protection marked to comply with ANSI Z87.1.

When working in dusty situations, wear appropriate respiratory protection or use an OSHA compliant dust extraction solution.

Selecting Speed

Rotate the speed selector dial to the desired speed (1 through 10). Select "A" for Auto-Load Feature to start out at 15,000 OPM and ramp up to 20,000 OPM when a load is applied.

Starting/Stopping

1. To start the tool, grasp the handle and slide the switch forward to the ON (I) position.
2. Allow the tool to come to full speed before beginning work.
3. Control pressure and surface contact between accessory and workpiece.
4. To stop the tool, slide the switch back to the OFF (0) position. Make sure the tool comes to a complete stop before laying the tool down.

APPLICATIONS

WARNING To reduce the risk of explosion, electric shock and property damage, always check the work area for hidden gas pipes, electrical wires or water pipes when making blind or plunge cuts.

Typical Applications

A large variety of accessories are available for applications such as sawing/cutting, scraping, and sanding.

Sawing/Cutting

Install a sawing/cutting blade at an angle easy to use. Properly clamp the workpiece. Set the speed dial to a high speed. Start the tool and allow it to reach full speed. Use moderate pressure to avoid burning or scorching the workpiece.

Scraping

Install a scraping blade at an angle easy to use. Start the tool and allow it to reach full speed. Use light pressure and a low angle to avoid gouging and damaging the workpiece.

Sanding

Install a sanding backing pad at an angle easy to use. Attach a sanding disc, or cut sandpaper to fit the backing pad. Generally, use 24 or 36 grit for heavy stock removal; 50, 60, or 80 grit for medium stock removal and 120 or 240 grit for finishing. Always begin with a coarse grit, using successively finer grits to obtain the desired finish.

Properly clamp the workpiece. Start the tool and allow it to reach full speed. Use light pressure and long, sweeping, side to side strokes, advancing forward to produce the desired finish.

MAINTENANCE

WARNING To reduce the risk of injury, always unplug the charger and remove the battery pack from the charger or tool before performing any maintenance. Never disassemble the tool, battery pack or charger. Contact a MILWAUKEE service facility for ALL repairs.

Maintaining Tool

Keep your tool, battery pack and charger in good repair by adopting a regular maintenance program. Inspect your tool for issues such as undue noise, misalignment or binding of moving parts, breakage of parts, or any other condition that may affect the tool operation. Return the tool, battery pack, and charger to a MILWAUKEE service facility for repair. After six months to one year, depending on use, return the tool, battery pack and charger to a MILWAUKEE service facility for inspection.

If the tool does not start or operate at full power with a fully charged battery pack, clean the contacts on the battery pack. If the tool still does not work properly, return the tool, charger and battery pack, to a MILWAUKEE service facility for repairs.

WARNING To reduce the risk of personal injury and damage, never immerse your tool, battery pack or charger in liquid or allow a liquid to flow inside them.

Cleaning

Clean dust and debris from vents. Keep handles clean, dry and free of oil or grease. Use only mild soap and a damp cloth to clean, since certain cleaning agents and solvents are harmful to plastics and other insulated parts. Some of these include gasoline, turpentine, lacquer thinner, paint thinner, chlorinated cleaning solvents, ammonia and household detergents containing ammonia. Never use flammable or combustible solvents around tools.

Repairs

For repairs, return the tool, battery pack and charger to the nearest authorized service center.

ACCESSORIES

WARNING Use only recommended accessories. Others may be hazardous.

For a complete listing of accessories, go online to www.milwaukeeetool.com or contact a distributor.

SERVICE - UNITED STATES

1-800-SAWDUST (1.800.729.3878)

Monday-Friday, 7:00 AM - 6:30 PM CST
or visit www.milwaukeeetool.com

Contact Corporate After Sales Service Technical Support with technical, service/repair, or warranty questions.

Email: metproductsupport@milwaukeeetool.com

Become a Heavy Duty Club Member at www.milwaukeeetool.com to receive important notifications regarding your tool purchases.

SERVICE - CANADA

Milwaukee Tool (Canada) Ltd

1.800.268.4015

Monday-Friday, 7:00 AM - 4:30 PM CST
or visit www.milwaukeeetool.ca

LIMITED WARRANTY USA & CANADA

Every MILWAUKEE power tool* (see exceptions below) is warranted to the original purchaser only to be free from defects in material and workmanship. Subject to certain exceptions, MILWAUKEE will repair or replace any part on an electric power tool which, after examination, is determined by MILWAUKEE to be defective in material or workmanship for a period of five (5) years** after the date of purchase unless otherwise noted. Return of the power tool to a MILWAUKEE factory Service Center location or MILWAUKEE Authorized Service Station, freight prepaid and insured, is required. A copy of the proof of purchase should be included with the return product. This warranty does not apply to damage that MILWAUKEE determines to be from repairs made or attempted by anyone other than MILWAUKEE authorized personnel, misuse, alterations, abuse, normal wear and tear, lack of maintenance, or accidents.

Normal Wear: Many power tools need periodic parts replacement and service to achieve best performance. This warranty does not cover repair when normal use has exhausted the life of a part including, but not limited to, chucks, brushes, cords, saw shoes, blade clamps, o-rings, seals, bumpers, driver blades, pistons, strikers, lifters, and bumper cover washers.

*This warranty does not cover Air Nailers & Staplers; Airless Paint Sprayer; Cordless Battery Packs; Gasoline Driven Portable Power Generators; Hand Tools; Hoist - Electric, Lever & Hand Chain; M12™ Heated Gear; Reconditioned Product; and Test & Measurement Products. There are separate and distinct warranties available for these products.

**The warranty period for Job Site Radios, M12™ Power Port, M12™ Power Source, Jobsite Fan and Trade Titan™ Industrial Work Carts is one (1) year from the date of purchase. The warranty period for the M18 FUEL™ 1" D-Handle High Torque Impact Wrenches, Drain Cleaning Cables and AIRSNAKE™ Drain Cleaning Air Gun Accessories is two (2) years from the date of purchase. The warranty period for the M18™ Compact Heat Gun, 8 Gallon Dust Extractor, M18™ Framing Nailers, M18 FUEL™ 1/2" Ext. Anvil Controlled Torque Impact Wrench w/ ONE-KEY™, M18 FUEL™ 1" High Torque Impact Wrench w/ ONE-KEY™, and the M18 FUEL™ 2 Gal. Compact Quiet Compressor is three (3) years from the date of purchase. The warranty period for the LED in the LED Work Light and the LED Upgrade Bulb for the Work Light is the lifetime of the product subject to the limitations above. If during normal use the LED or LED Bulb fails, the part will be replaced free of charge. Warranty Registration is not necessary to obtain the applicable warranty on a MILWAUKEE power tool product. The manufacturing date of the product will be used to determine the warranty period if no proof of purchase is provided at the time warranty service is requested.

ACCEPTANCE OF THE EXCLUSIVE REPAIR AND REPLACEMENT REMEDIES DESCRIBED HEREIN IS A CONDITION OF THE CONTRACT FOR THE PURCHASE OF EVERY MILWAUKEE PRODUCT. IF YOU DO NOT AGREE TO THIS CONDITION, YOU SHOULD NOT PURCHASE THE PRODUCT. IN NO EVENT SHALL MILWAUKEE BE LIABLE FOR ANY INCIDENTAL, SPECIAL, CONSEQUENTIAL OR PUNITIVE DAMAGES, OR FOR ANY COSTS, ATTORNEY FEES, EXPENSES, LOSSES OR DELAYS ALLEGED TO BE AS A CONSEQUENCE OF ANY DAMAGE TO, FAILURE OF, OR DEFECT IN ANY PRODUCT INCLUDING, BUT NOT LIMITED TO, ANY CLAIMS FOR LOSS OF PROFITS. SOME STATES DO NOT ALLOW THE EXCLUSION OR LIMITATION OF INCIDENTAL OR CONSEQUENTIAL DAMAGES, SO THE ABOVE LIMITATION OR EXCLUSION MAY NOT APPLY TO YOU. THIS WARRANTY IS EXCLUSIVE AND IN LIEU OF ALL OTHER EXPRESS WARRANTIES, WRITTEN OR ORAL. TO THE EXTENT PERMITTED BY LAW, MILWAUKEE DISCLAIMS ANY IMPLIED WARRANTIES, INCLUDING WITHOUT LIMITATION ANY IMPLIED WARRANTY OF MERCHANTABILITY OR FITNESS FOR A PARTICULAR USE OR PURPOSE; TO THE EXTENT SUCH DISCLAIMER IS NOT PERMITTED BY LAW, SUCH IMPLIED WARRANTIES ARE LIMITED TO THE DURATION OF THE APPLICABLE EXPRESS WARRANTY AS DESCRIBED ABOVE. SOME STATES DO NOT ALLOW LIMITATIONS ON HOW LONG AN IMPLIED WARRANTY LASTS, SO THE ABOVE LIMITATION MAY NOT APPLY TO YOU. THIS WARRANTY GIVES YOU SPECIFIC LEGAL RIGHTS, AND YOU MAY ALSO HAVE OTHER RIGHTS WHICH VARY FROM STATE TO STATE.

This warranty applies to product sold in the U.S.A. and Canada only. Please consult the 'Service Center Search' in the Parts & Service section of MILWAUKEE's website www.milwaukeeetool.com or call 1.800.SAWDUST (1.800.729.3878) to locate your nearest service facility for warranty and non-warranty service on a Milwaukee electric power tool.

RÈGLES DE SÉCURITÉ GÉNÉRALES RELATIVES AUX OUTILS ÉLECTRIQUES

⚠ AVERTISSEMENT Lire toutes les consignes de sécurité, consignes, illustrations et spécifications fournies avec cet outil électrique. Ne pas suivre l'ensemble des règles et instructions peut entraîner une électrocution, un incendie ou des blessures graves. Conserver les règles et les instructions à des fins de référence ultérieure. Le terme « outil électrique » figurant dans les avertissements ci-dessous renvoie à l'outil électrique à alimentation par le réseau (à cordon) ou par batterie (sans fil).

SÉCURITÉ DU LIEU DE TRAVAIL

- Veillez à ce que l'aire de travail soit propre et bien éclairée. Le désordre et le manque de lumière favorisent les accidents.
- Ne pas utiliser d'outils électriques dans des atmosphères explosives, par exemple en présence de liquides, gaz ou poussières inflammables. Les outils électriques produisent des étincelles risquant d'enflammer les poussières ou vapeurs.
- S'assurer que les enfants et les curieux se trouvent à une bonne distance au moment d'utiliser un outil électrique. Les distractions peuvent causer une perte de contrôle.

SÉCURITÉ ÉLECTRIQUE

- Les fiches des outils électriques doivent correspondre à la prise secteur utilisée. Ne jamais modifier la fiche, de quelque façon que ce soit. Ne jamais utiliser d'adaptateurs de fiche avec des outils mis à la terre. Les fiches et prises non modifiées réduisent le risque de choc électrique.
- Éviter tout contact avec des surfaces mises à la terre comme des tuyaux, des radiateurs, des cuisinières et des réfrigérateurs. Le risque de choc électrique est accru lorsque le corps est mis à la terre.
- Ne pas exposer les outils électriques à l'eau ou l'humidité. La pénétration d'eau dans ces outils accroît le risque de choc électrique.
- Ne pas maltraiter le cordon d'alimentation. Ne jamais utiliser le cordon d'alimentation pour transporter l'outil électrique et ne jamais débrancher ce dernier en tirant sur le cordon. Garder le cordon à l'écart de la chaleur, de l'huile, des objets tranchants et des pièces en mouvement. Un cordon endommagé ou emmêlé accroît le risque de choc électrique.
- Pour les travaux à l'extérieur, utiliser un cordon spécialement conçu à cet effet. Utiliser un cordon conçu pour l'usage extérieur réduit les risques de choc électrique.
- Si l'utilisation d'un outil électrique est inévitable dans un endroit humide, utiliser une source d'alimentation munie d'un disjoncteur de fuite de terre. L'utilisation d'un disjoncteur de fuite de terre réduit le risque de choc électrique.

SÉCURITÉ INDIVIDUELLE

- Rester attentif, prêter attention au travail et faire preuve de bon sens lors de l'utilisation de tout outil électrique. Ne pas utiliser cet appareil en cas de fatigue ou sous l'influence de l'alcool, de drogues ou de médicaments. Un moment d'inattention pendant l'utilisation d'un outil électrique peut entraîner des blessures graves.

- Porter l'équipement de protection individuel requis. Toujours porter une protection oculaire. Selon les conditions, porter aussi un masque anti-poussières, des bottes de sécurité antidérapantes, un casque protecteur ou une protection auditive afin de réduire les blessures.
- Empêcher les démarrages accidentels. S'assurer que la gâchette est en position d'arrêt avant de brancher l'outil à une source de courant, d'insérer la batterie, de le ramasser ou de le transporter. Le fait de transporter un outil électrique en gardant le doigt sur la gâchette ou de mettre sous tension un outil électrique lorsque la gâchette est en position de marche favorise les accidents.
- Retirer les clés de réglage avant de mettre l'outil en marche. Une clé laissée sur une pièce rotative de l'outil peut causer des blessures.
- Ne pas travailler hors de portée. Toujours se tenir bien campé et en équilibre. Une bonne stabilité procure un meilleur contrôle de l'outil électrique en cas d'imprévu.
- Porter une tenue appropriée. Ne porter ni vêtements amples, ni bijoux. Garder les cheveux et les vêtements à l'écart des pièces en mouvement. Les vêtements flottants, les bijoux ou les cheveux longs risquent d'être happés par les pièces en mouvement.
- Si les outils sont équipés de dispositifs de dépoissierage, s'assurer qu'ils sont connectés et correctement utilisés. L'utilisation d'un collecteur de poussière permet de réduire les dangers liés à la poussière.
- Ne pas laisser la familiarité avec l'outil acquise par une utilisation fréquente vous rendre suffisant et vous amener à ignorer les règles de sécurité. Une utilisation négligée peut causer une blessure grave en une fraction de seconde.

UTILISATION ET ENTRETIEN DE L'OUTIL ÉLECTRIQUE

- Ne pas forcer l'outil électrique. Utiliser l'outil électrique approprié pour l'application. Un outil électrique approprié exécutera le travail mieux et de façon moins dangereuse s'il est utilisé dans les limites prévues.
- Ne pas utiliser l'outil électrique si le commutateur ne permet pas de le mettre en marche ou de l'arrêter. Tout outil électrique qui ne peut pas être contrôlé par son commutateur est dangereux et doit être réparé.
- Débrancher l'outil et/ou retirer le bloc-piles, si possible, avant d'effectuer des réglages, de changer d'accessoire ou de remiser l'outil. Ces mesures de sécurité préventives réduisent les risques de démarrage accidentel de l'outil.
- Entreposer l'outil électrique hors de la portée des enfants et interdire à quiconque de l'utiliser si la personne ne connaît pas bien le produit ou les instructions. Les outils électriques sont dangereux dans les mains d'utilisateurs novices.
- Entretenir les outils électriques et les accessoires. Vérifier qu'aucune pièce mobile n'est mal alignée ou bloquée, qu'aucune pièce n'est brisée et s'assurer qu'aucun autre problème risque d'affecter le bon fonctionnement de l'outil. En cas de dommages, faire réparer l'outil avant de l'utiliser. Plusieurs accidents sont causés par des produits mal entretenus.

- Garder les outils bien affûtés et propres. Des outils correctement entretenus et dont les tranchants sont bien affûtés risquent moins de se bloquer et sont plus faciles à contrôler.
- Utiliser l'outil électrique, les accessoires, les embouts etc. conformément à ces instructions en tenant compte des conditions de travail et de la tâche à effectuer. L'usage d'un outil électrique pour des applications pour lesquelles il n'est pas conçu peut être dangereux.
- Garder les poignées et les surfaces de préhension sèches, propres et exemptes d'huile ou de graisse. Des poignées et des surfaces de préhension glissantes ne permettent pas de manipuler et de contrôler l'outil en toute sécurité en cas de situation imprévue.

UTILISATION ET ENTRETIEN DE LA BATTERIE

- Pour recharger le bloc-piles, utiliser seulement le chargeur spécifié par le fabricant. Un chargeur pouvant convenir à un type de bloc-piles peut entraîner un risque d'incendie lorsqu'il est utilisé avec un autre type de bloc-piles.
- N'utiliser l'outil électrique qu'avec une batterie recommandée. L'utilisation de tout autre bloc-piles peut créer un risque de blessures et d'incendie.
- Lorsque le bloc-piles n'est pas utilisé, le tenir éloigné des objets en métal tels que les trombones, les pièces de monnaie, les clés, les clous, les vis ou d'autres petits objets métalliques qui pourraient connecter les bornes. Le court-circuitage des bornes d'une pile peut entraîner des brûlures ou un incendie.
- Éviter tout contact avec le liquide pouvant être éjecté de la pile en cas de manutention abusive. En cas de contact accidentel, rincer immédiatement les parties atteintes avec de l'eau. Si le liquide entre en contact avec les yeux, consulter un médecin. Le liquide éjecté des piles peut causer des irritations ou des brûlures.
- N'utiliser aucun bloc-piles ni aucun outil ayant été endommagé ou modifié. Des piles endommagées ou modifiées peuvent adopter un comportement imprévisible pouvant causer un incendie, une explosion ou le risque de blessures.
- Ne pas exposer le bloc-piles ou l'outil aux flammes ou à une température excessive. Une exposition aux flammes ou à une température supérieure à 130°C (265°F) peut causer une explosion.
- Suivre toutes les instructions de charge et ne pas charger le bloc-piles ou l'outil en dehors de la plage de température spécifiée. Une charge incorrecte ou à des températures en dehors de la plage spécifiée peut endommager la pile et augmenter le risque d'incendie.

ENTRETIEN

- Les réparations de l'outil électrique doivent être confiées à un technicien qualifié, utilisant exclusivement des pièces identiques à celles d'origine. Le maintien de la sûreté de l'outil électrique sera ainsi assuré.
- Ne jamais effectuer la réparation d'un bloc-piles endommagé. La réparation du bloc-piles doit être réalisée par le fabricant ou les fournisseurs de service agréés uniquement.

RÈGLES DE SÉCURITÉ PARTICULIÈRES POUR LE MULTI-OUTIL

- Lorsque l'outil est utilisé pour un travail risquant de mettre l'accessoire de coupe en contact avec des fils électriques cachés, le tenir par les surfaces de prise isolées. Le contact d'un accessoire de coupe avec un fil sous tension « électrifié » les pièces métalliques exposées de l'outil et peut électrocuter l'utilisateur.
- Dans la mesure du possible, utiliser des serre-joints ou un autre moyen pratique pour maintenir la pièce sur une surface stable. Le fait de tenir la pièce à travailler avec ses mains ou contre son corps la rend instable et peut occasionner une perte de contrôle.
- Pour réduire les risques d'explosion, de décharges électriques ou de dommages matériels, toujours examiner le lieu de travail afin de repérer les conduites de gaz et d'eau ou le câblage électrique qui pourraient être dissimulés, au moment d'effectuer des coupes à l'aveuglette ou en plongée.
- Garder les mains à l'écart des rebords tranchants et des pièces en mouvement. Ne pas mettre les mains sous la pièce à travailler.
- Ne pas utiliser une lame émoussée ou endommagée, qui peut causer une friction excessive, le coincement de la lame et des rebonds.
- Examiner attentivement la pièce à travailler. Retirer les têtes de clous et de vis avant tout grattage. Le fait de heurter des objets durs avec la lame peut occasionner des rebonds.
- **⚠ AVERTISSEMENT** Afin de minimiser le risque de blessures, lorsque de travaux sont faits dans des situations poussiéreuses, porter une protection respiratoire ou bien, utiliser une solution d'extraction de poussière conforme aux normes OSHA.
- Toujours faire preuve de bons sens et procéder avec prudence lors de l'utilisation d'outils. Il est impossible de prévoir toutes les situations qui pourraient avoir un résultat dangereux. Ne pas utiliser cet outil si vous ne comprenez pas ces instructions d'opération ou si vous pensez que le travail dépasse vos capacités; veuillez contacter Milwaukee Tool ou un professionnel pour recevoir plus d'information ou de formation.
- Maintenir en état les étiquettes et les plaques signalétiques. Des informations importantes y figurent. Si elles sont illisibles ou manquantes, contacter un centre de services et d'entretien MILWAUKEE pour un remplacement gratuit.
- **⚠ AVERTISSEMENT** La poussière dégagée par certains matériaux lors du ponçage, sciage, meulage, perçage et autres opérations de construction contient des produits chimiques reconnus comme causant le cancer, des malformations congénitales ou des lésions de l'appareil reproducteur. Voici certains exemples de ces produits chimiques :
 - le plomb contenu dans la peinture au plomb
 - la silice cristalline contenue dans les briques, le ciment et d'autres produits de maçonnerie, et
 - l'arsenic et le chrome contenus dans le bois de construction traité par produits chimiques.Le risque présenté par l'exposition à ces produits varie en fonction de la fréquence de ce type de travail.

Pour réduire les risques d'exposition à ces produits chimiques, travailler dans un endroit bien aéré et utiliser des équipements de sécurité approuvés tels que les masques antipoussière spécialement conçus pour filtrer les particules microscopiques.

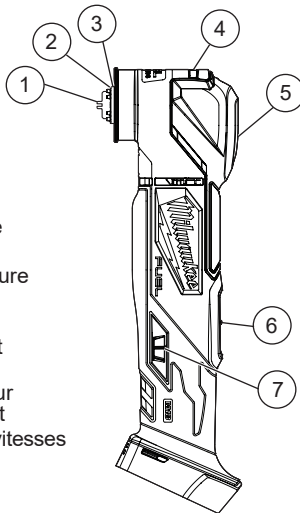
PICTOGRAPHIE

- V** Volts
--- Courant direct
OPM Oscillations par minute
UL UL Listing Mark pour Canada et États-unis

SPÉCIFICATIONS

No de Cat.....	2836-20
Volts.....	18 CD
Type de batterie.....	M18™
Type de chargeur.....	M18™
Orb/min à vide de.....	10 000 à 20 000
Température ambiante de fonctionnement recommandée.....	-18°C à 50°C (0°F à 125°F)

DESCRIPTION FONCTIONNELLE



1. Boulon d'accessoire
2. Adaptateur
3. Bride intérieure
4. Voyant DEL
5. Levier à dégivrage rapide
6. Commutateur marche/arrêt
7. Cadran des vitesses

MONTAGE DE L'OUTIL

⚠ AVERTISSEMENT Ne recharger la batterie qu'avec le chargeur spécifié. Pour les instructions de charge spécifiques, lire le manuel d'utilisation fourni avec le chargeur et les batteries.

Insertion/Retrait de la batterie

Pour retirer la batterie, enfoncer les boutons de déverrouillage et la tirer hors de l'outil.

⚠ AVERTISSEMENT Il faut toujours retirer la batterie et verrouiller la détente de l'outil avant de changer ou d'enlever les accessoires.

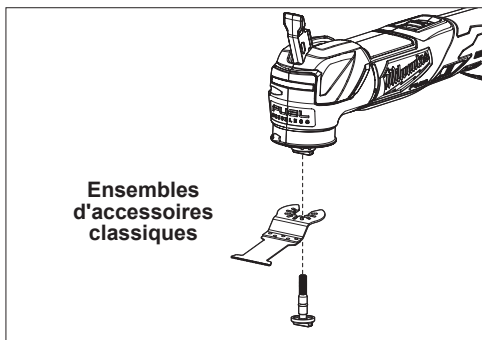
Pour insérer la batterie, la glisser dans le corps de l'outil. S'assurer qu'elle est fixée solidement.

⚠ AVERTISSEMENT L'emploi d'accessoires autres que ceux qui sont expressément recommandés pour cet outil peut comporter des risques.

Changement d'accessoire

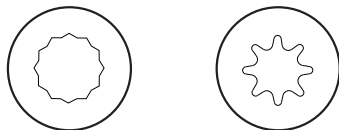
1. Retirer le bloc-piles.
2. Soulever le levier à dégivrage rapide et le pousser fermement vers l'avant sur la détente. (1)
3. Retourner l'outil.
4. Dévisser le boulon pour accessoires. (2)
5. Enlever les accessoires.
6. Nettoyer le boulon, le flasque et les accessoires pour enlever la saleté et les débris.
7. Placer l'accessoire et le boulon sur l'outil. Bien serrer à la main.
8. Remettre le levier de dégivrage rapide en place.

REMARQUE : Si l'accessoire ne s'adapte pas sans jeu sur le flasque, un adaptateur peut être nécessaire.



Adaptateur

Adaptateur de lame 48-03-2526 (disponible en tant qu'accessoire) requis pour ces types d'arbre.



MANIEMENT

⚠ AVERTISSEMENT Afin de minimiser le risque de blessures, toujours porter la protection oculaire appropriée certifiée conforme à la norme ANSI Z87.1.

Lorsque de travaux sont faits dans de situations poussiéreuses, porter une protection respiratoire ou bien, utiliser une solution d'extraction de poussière conforme aux normes OSHA.

Sélection de la vitesse

Tourner le cadran du sélecteur de vitesse à la vitesse désirée (1 à 10). Sélectionner « A » pour une fonction Auto-Load à 15 000 OPM, qui augmentera jusqu'à 20 000 OPM lorsqu'une charge est appliquée.

Démarrage/arrêt

1. Pour démarrer l'outil, saisir la poignée et glisser l'interrupteur vers l'avant à la position « ON » (Marche) (I).
2. Laisser l'outil atteindre sa vitesse maximale avant d'entamer le travail.
3. Contrôler la pression et le contact de surface entre l'accessoire et la pièce à travailler.
4. Pour arrêter l'outil, glisser l'interrupteur vers l'arrière à la position « OFF » (Arrêt) (O). S'assurer que l'outil est complètement arrêté avant de le déposer.

APPLICATIONS

⚠ AVERTISSEMENT Pour minimiser les risques d'explosion, choc électrique et dommages à la propriété, inspectez toujours l'aire de travail pour y déceler les fils électriques ou les tuyaux avant d'entreprendre le forage.

Applications Classiques

Une vaste gamme d'accessoires sont disponibles pour effectuer diverses applications telles que le sciage et la coupe, le racleage, ainsi que le ponçage.

Sciage/coupe

Installer une lame conçue pour le sciage ou la coupe à un angle facile à utiliser. Serrer adéquatement la pièce à travailler. Régler le cadran de sélection de vitesse à une vitesse élevée. Démarrer l'outil et le laisser atteindre sa vitesse maximale. Utiliser une pression modérée pour éviter de brûler la pièce à travailler.

Racleage

Installer une lame à racle à un angle facile à utiliser. Démarrer l'outil et le laisser atteindre sa vitesse maximale. Utiliser une pression et un angle faibles pour éviter de gouger ou d'endommager la pièce à travailler.

Ponçage

Installer un plateau porte-disque abrasif à un angle facile à utiliser. Fixer un disque sur le plateau porte-disque ou découper un morceau de papier abrasif afin de l'y ajuster. Généralement, utiliser du papier abrasif à grains de 24 ou 36 pour dégrossir; à grains de 50, 60 ou 80 pour un ponçage intermédiaire, et à grains de 120 ou 240 pour effectuer le travail de finition. Toujours commencer par utiliser un grain grossier, puis employer successivement des grains plus fins pour obtenir la finition désirée.

Serrer adéquatement la pièce à travailler. Démarrer l'outil et le laisser atteindre sa vitesse maximale. Utiliser une pression légère et effectuer de longues courses en balayant, d'un côté à l'autre, en progressant vers l'avant, pour obtenir la finition désirée.

ENTRETIEN

⚠ AVERTISSEMENT Pour minimiser les risques de blessures corporelles, débranchez le chargeur et retirez la batterie du chargeur ou de l'outil avant d'y effectuer des travaux d'entretien. Ne démontez jamais l'outil, la batterie ou le chargeur. Pour toute réparation, consultez un centre de service MILWAUKEE accrédité.

Entretien de l'outil

Gardez l'outil en bon état en adoptant un programme d'entretien ponctuel. Inspectez votre outil pour des questions telles que le bruit excessif, de grippage des pièces mobiles, de pièces cassées ou toute autre condition qui peut affecter le fonctionnement de l'outil. Retournez votre outil à un centre de service MILWAUKEE accrédité pour obtenir le service. Après une période pouvant aller de 6 mois à un an, selon l'usage, retournez votre outil à un centre de service MILWAUKEE accrédité pour d'inspection.

Si l'outil ne démarre pas ou ne fonctionne pas à pleine puissance alors qu'il est branché sur une batterie complètement chargée, nettoyez les points de contact entre la batterie et l'outil. Si l'outil ne fonctionne toujours pas correctement, renvoyez l'outil, le chargeur et la batterie à un centre de service MILWAUKEE accrédité.

⚠ AVERTISSEMENT Pour minimiser les risques de blessures ou de dommages à l'outil, n'immergez jamais l'outil, la batterie ou le chargeur et ne laissez pas de liquide s'y infiltrer.

Nettoyage

Débarrassez les événements des débris et de la poussière. Gardez les poignées propres, à sec et exemptes d'huile ou de graisse. Le nettoyage doit se faire avec un linge humide et un savon doux. Certains nettoyeurs tels l'essence, la térébenthine, les diluants à laque ou à peinture, les solvants chlorés, l'ammoniaque et les détergents d'usage domestique qui en contiennent pourraient détériorer le plastique et l'isolation des pièces. Ne laissez jamais des solvants inflammables ou combustibles auprès des outils.

Réparations

Pour les réparations, retournez outil, batterie et chargeur en entier au centre-service autorisé le plus près.

ACCESOIRES

AVERTISSEMENT L'utilisation d'autres accessoires que ceux qui sont spécifiquement recommandés pour cet outil peut comporter des risques. Pour une liste complète des accessoires, visiter le site internet www.milwaukeetool.com ou contactez un distributeur.

SERVICE - CANADA

Milwaukee Tool (Canada) Ltd
1.800.268.4015
Monday-Friday, 7:00 AM - 4:30 PM CST
www.milwaukeetool.ca

GARANTIE LIMITÉE - AUX ÉTATS-UNIS ET AU CANADA

Chaque outil électrique* MILWAUKEE (voir exceptions ci-dessous) est garanti à l'acheteur d'origine uniquement pour être exempt de vices de matériaux et de fabrication. Sous réserve de certaines exceptions, MILWAUKEE réparera ou remplacera toute pièce d'un outil électrique qui, après examen par MILWAUKEE, s'est avérée être affectée d'un vice de matériau ou de fabrication et ce pendant une période de cinq (5) ans** à compter de la date d'achat, sauf indication contraire. Retourner l'outil électrique à un centre de réparation en usine MILWAUKEE ou à un poste d'entretien agréé MILWAUKEE, en port prépayé et assuré. Une copie de la preuve d'achat doit être présentée lors du retour du produit. Cette garantie ne couvre pas les dommages que MILWAUKEE détermine être causés par des réparations ou des tentatives de réparation par quiconque autre que le personnel agréé par MILWAUKEE, ou par des utilisations incorrectes, des altérations, des utilisations abusives, une usure normale, une carence d'entretien ou des accidents.

Usure normale : Plusieurs outils électriques requièrent un remplacement et un entretien périodique de leurs pièces pour un meilleur rendement. Cette garantie ne couvre pas la réparation des pièces due à l'utilisation normale de l'outil, y compris, mais sans s'y limiter, les mandrins, les brosses, les cordes, les sabots de scie, les portelames, les joints toriques, les joints, les amortisseurs, les lames d'entraînement, les pistons, les perceurs, les crochets et les rondelles à couvercle amortisseur.

*Cette garantie ne s'applique pas aux cloueuses-agrafeuses pneumatiques, aux pulvérisateurs à peinture sans air, aux blocs-piles pour outils sans fil, aux génératrices d'alimentation portatives à essence, aux outils à main, aux monte-charge – électriques, à levier et à chaîne, aux vestes chauffantes M12™, aux produits ré-usinés, ni aux produits d'essai et de mesure. Il existe des garanties séparées distinctes pour ces produits.

**La période de garantie applicable pour les radios de chantier, le port d'alimentation M12™, la source électrique M18™, le ventilateur de chantier et les chariots de travail industriels Trade Titan™ est d'une durée d'un (1) an à compter de la date d'achat. La période de garantie pour les câbles de nettoyage des drains et les accessoires de pistolet à air de vidange AIRSNAKE™ est de deux (2) ans à compter de la date d'achat. La période de garantie pour le Pistolet thermique compact M18™, Dépoussiéreur de 8 gallons, M18™ cloueuses à ossature, M18 FUEL™ 1/2" clé à chocs de enclume prolongé, couple contrôlé avec ONE-KEY™, et M18 FUEL™ 1" clé à chocs de couple élevé avec ONE-KEY™ est de trois (3) ans à compter de la date d'achat. La période de garantie couvrant la DEL de la lampe de travail à DEL et l'ampoule améliorée à DEL de la lampe de travail est une garantie à vie du produit soumise aux limitations ci-dessus. En cas de défaillance de la DEL ou de l'ampoule à DEL pendant son utilisation normale, la pièce défaillante sera remplacée gratuitement.

L'enregistrement de la garantie n'est pas nécessaire pour bénéficier de la garantie en vigueur sur un outil électrique MILWAUKEE. La date de fabrication du produit servira à établir la période de garantie, si aucune preuve d'achat n'est fournie lorsqu'une demande de service sous garantie est déposée.

L'ACCEPTATION DES RECOURS EXCLUSIFS DE RÉPARATION ET DE REMPLACEMENT DÉCRITS DANS LES PRÉSENTES EST UNE CONDITION DU CONTRAT D'ACHAT DE TOUT PRODUIT MILWAUKEE. SI VOUS N'ACCEPTÉZ PAS CETTE CONDITION, VOUS NE DEVEZ PAS ACHETER LE PRODUIT. EN AUCUN CAS, MILWAUKEE NE SAURAIT ÊTRE RESPONSABLE DE TOUT DOMMAGE ACCESSOIRE, SPÉCIAL OU INDIRECT, DE DOMMAGES-INTÉRÊTS PUNITIFS OU DE TOUTE DÉPENSE, D'HONORAIRES D'AVOCAT, DE FRAIS, DE PERTE OU DE DÉLAIS ACCESSOIRES À TOUT DOMMAGE, DÉFAILLANCE OU DÉFAUT DE TOUT PRODUIT, Y COMPRIS NOTAMMENT LES PERTES DE PROFIT. CERTAINS ÉTATS ET PROVINCES NE PERMETTANT L'EXCLUSION OU LA LIMITATION DES DOMMAGES DIRECTS OU INDIRECTS, LES RESTRICTIONS CI-DESSUS PEUVENT NE PAS VOUS ÊTRE APPLICABLES. CETTE GARANTIE EST EXCLUSIVE ET REMPLACE TOUTE AUTRE GARANTIE EXPRESSE, QU'ELLE SOIT VERBALE OU ÉCRITE, DANS LA MESURE PERMISE PAR LA LOI, MILWAUKEE RENONCE À TOUTE GARANTIE IMPLICITE, Y COMPRIS, MAIS SANS S'Y LIMITER, TOUTE GARANTIE IMPLICITE DE QUALITÉ MARCHANDE OU D'ADAPTATION À UNE UTILISATION OU À UNE FIN PARTICULIÈRE, DANS LA MESURE OU UNE TELLE STIPULATION D'EXONÉRATION N'EST PAS PERMISE PAR LA LOI. LA DURÉE DE CES GARANTIES IMPLICITES EST LIMITÉE À LA PÉRIODE APPLICABLE DE LA GARANTIE EXPRESSE, TEL QUE CELA EST DÉCRIT PRÉCÉDEMMENT. CERTAINS ÉTATS ET PROVINCES NE PERMETTANT PAS DE LIMITATION DE DURÉE DES GARANTIES IMPLICITES, LES RESTRICTIONS CI-DESSUS PEUVENT DONC NE PAS VOUS ÊTRE APPLICABLES. LA PRÉSENTE VOUS CONFÈRE DES DROITS LÉGAUX PARTICULIERS; VOUS BÉNÉFICIEZ ÉGALEMENT D'AUTRES DROITS QUI VARIENT D'UN ÉTAT À UN AUTRE.

Cette garantie s'applique aux produits vendus aux États-Unis et au Canada uniquement. Veuillez consulter la rubrique Centre SAV Milwaukee, dans la section Pièces et Services du site Web de MILWAUKEE, à l'adresse www.milwaukeetool.com, ou composer le 1-800-SAWDUST (1-800-729-3878) afin de trouver le centre de service de votre région le plus proche pour l'entretien, sous garantie ou non, de votre outil électrique Milwaukee.

ADVERTENCIAS DE SEGURIDAD GENERALES PARA LA HERRAMIENTA ELÉCTRICA

ADVERTENCIA Lea todas las advertencias de seguridad, instrucciones, ilustraciones y especificaciones con esta herramienta eléctrica. Si no sigue todas las advertencias e instrucciones, se pueden provocar una descarga eléctrica, un incendio o lesiones graves. **Guarde todas las advertencias e instrucciones para consultarlas en el futuro.** El término "herramienta eléctrica" en todas las advertencias incluidas más abajo se refiere a su herramienta operada por conexión (cable) a la red eléctrica o por medio de una batería (inalámbrica).

SEGURIDAD EN EL ÁREA DE TRABAJO

- **Mantenga el área de trabajo limpia y bien iluminada.** Las áreas desordenadas u oscuras son propicias para los accidentes.
- **No utilice herramientas eléctricas en atmósferas explosivas, tales como en presencia de líquidos, gases o polvos inflamables.** Las herramientas eléctricas generan chispas que pueden encender el polvo o los vapores.
- **Mantenga a los niños y a los espectadores alejados mientras utiliza una herramienta eléctrica.** Las distracciones pueden ocasionar la pérdida de control.

SEGURIDAD ELÉCTRICA

- **Los enchufes de la herramienta eléctrica deben coincidir con el tomacorriente. Nunca modifique el enchufe de ninguna manera. No utilice adaptadores de enchufe con herramientas eléctricas aterrizadas.** Los enchufes y tomacorrientes correspondientes sin modificar reducirán el riesgo de descarga eléctrica.
- **Evite el contacto corporal con superficies aterrizadas, tales como tuberías, radiadores, estufas y refrigeradores.** Existe un riesgo mayor de descarga eléctrica si su cuerpo está aterrizado.
- **No exponga las herramientas eléctricas a la lluvia ni a condiciones húmedas.** Si se introduce agua en una herramienta eléctrica, aumentará el riesgo de descarga eléctrica.
- **No maltrate el cable. Nunca utilice el cable para cargar, jalar o desconectar la herramienta eléctrica.** Mantenga el cable alejado del calor, el aceite, los bordes afilados o las partes en movimiento. Los cables dañados o enredados aumentan el riesgo de descarga eléctrica.
- **Al utilizar una herramienta eléctrica en exteriores, utilice una extensión adecuada para uso en exteriores.** El uso de una extensión adecuada para el uso en exteriores disminuye el riesgo de descarga eléctrica.
- **Si es inevitable utilizar una herramienta eléctrica en un lugar húmedo, utilice un alimentador de corriente protegido con un interruptor de circuito por falla de conexión a tierra (GFCI).** El uso de un GFCI reduce el riesgo de descarga eléctrica.

SEGURIDAD PERSONAL

- **Manténgase alerta, atento a lo que está haciendo y utilice el sentido común al utilizar una herramienta eléctrica.** No utilice una herramienta eléctrica mientras está cansado o bajo la influencia de drogas, alcohol o medicamentos. Un momento de distracción al utilizar herramientas eléctricas puede ocasionar lesiones personales graves.
- **Utilice equipo de protección personal. Siempre use protección para los ojos.** El equipo de protección, tal como una máscara contra polvo, calzado antideslizante, casco o protección auditiva, utilizado para condiciones adecuadas disminuirá las lesiones personales.
- **Evite el arranque accidental. Asegúrese de que el interruptor esté en la posición de apagado antes de conectarlo a una fuente de poder y/o batería, levantar o trasladar la herramienta.** Trasladar herramientas con el dedo en el interruptor o energizar herramientas eléctricas que tienen el interruptor encendido propicia accidentes.
- **Retire cualquier llave de ajuste antes de entender la herramienta.** Una llave que se deje insertada en una parte giratoria de la herramienta eléctrica puede ocasionar lesiones personales.
- **No estire el cuerpo demasiado. Mantenga un buen contacto entre los pies y el suelo y mantenga el equilibrio en todo momento.** Esto permite un mejor control de la herramienta eléctrica en situaciones inesperadas.
- **Vístase adecuadamente. No utilice ropa o joyería holgada. Mantenga el cabello y la ropa alejados de las partes móviles.** La ropa holgada, las alhajas o el cabello largo pueden quedarse atrapados en las partes móviles.
- **Si se proporcionan dispositivos para la conexión de instalaciones de extracción y recolección de polvo, cerciése de que estén conectados y se utilicen correctamente.** El uso de dispositivos recolectores de polvo puede disminuir los riesgos relacionados con el polvo.
- **No permita que la familiaridad por el uso frecuente de las herramientas lo hagan sentirse seguro e ignore los principios de seguridad de las herramientas.** Un descuido puede provocar lesiones graves en una fracción de segundo.

USO Y CUIDADO DE LAS HERRAMIENTAS ELÉCTRICAS

- **No fuerce la herramienta eléctrica. Utilice la herramienta eléctrica correcta para su aplicación.** La herramienta eléctrica correcta realizará el trabajo mejor y con mayor seguridad a la velocidad para la que fue diseñada.
- **No utilice la herramienta eléctrica si el interruptor no la enciende y la apaga.** Cualquier herramienta eléctrica que no pueda controlarse con el interruptor es peligrosa y debe repararse.
- **Desconecte el enchufe de la fuente de energía y/o quite la batería de la herramienta eléctrica, si es posible, antes de realizar cualquier ajuste, cambiar accesorios o almacenar las herramientas eléctricas.** Tales medidas preventivas de seguridad disminuyen el riesgo de que la herramienta eléctrica se encienda accidentalmente.

•Almacene las herramientas eléctricas que no se estén utilizando fuera del alcance de los niños y no permita que personas que no estén familiarizadas con la herramienta eléctrica o con estas instrucciones la utilicen. Las herramientas eléctricas son peligrosas en manos de usuarios sin capacitación.

•Dé mantenimiento a las herramientas eléctricas y accesorios. Verifique que no haya desalinación, amarre de partes móviles, partes rotas o alguna otra condición que pueda afectar el funcionamiento de la herramienta eléctrica. Si se daña, asegúrese de que la herramienta eléctrica sea reparada antes de que se utilice. Muchos accidentes son ocasionados por herramientas eléctricas con mantenimiento deficiente.

•Mantenga las herramientas de corte afiladas y limpias. Las herramientas de corte correctamente mantenidas con bordes de corte afilados son menos propensas a atorarse y son más fáciles de controlar.

•Utilice la herramienta eléctrica, los accesorios y las puntas, etc. de acuerdo con estas instrucciones, tomando en cuenta las condiciones de trabajo y el trabajo a realizar. El uso de la herramienta eléctrica para operaciones diferentes a las previstas podría generar una situación peligrosa.

•Mantenga las empuñaduras y ñas superficies de sujeción secas, limpias y libres de aceite y grasa. Las empuñaduras y superficies de sujeción resbalosas no permiten el manejo y control seguros de la herramienta en situaciones inesperadas.

USO Y CUIDADO DE LAS HERRAMIENTAS CON BATERÍA

•Recargue únicamente con el cargador especificado por el fabricante. Un cargador que es adecuado para un tipo de batería puede crear un riesgo de incendio si se utiliza con otra batería.

•Utilice las herramientas eléctricas únicamente con baterías específicamente diseñadas. El uso de cualquier otra batería puede producir un riesgo de lesiones e incendio.

•Cuando la batería no esté en uso, manténgala alejada de otros objetos metálicos como sujetapapeles, monedas, llaves, clavos, tornillos u otros objetos metálicos pequeños que puedan formar una conexión de una terminal a otra. Crear un corto entre las terminales de la batería puede ocasionar quemaduras o un incendio.

•Bajo condiciones de maltrato, el líquido puede ser expulsado de la batería, evite el contacto. En caso de contacto accidental, lave con agua. Si el líquido entra en contacto con los ojos, busque además ayuda médica. El líquido expulsado de la batería puede causar irritación o quemaduras.

•No use una batería o herramienta que se haya dañado o modificado. Las baterías dañadas o modificadas pueden mostrar un comportamiento impredecible, causando incendios, explosión o riesgo de lesión.

•No exponga una batería o herramienta al fuego o a temperatura excesiva. La exposición a fuego o temperatura a más de 130° C (265° F) puede causar explosiones.

•Siga todas las instrucciones de carga y no cargue la batería o la herramienta fuera del rango de temperatura especificado en las instrucciones. La carga incorrecta o a temperaturas fuera del rango especificado puede dañar la batería y aumentar el riesgo de incendio.

MANTENIMIENTO

•Lleve su herramienta eléctrica a servicio con un técnico calificado que use únicamente piezas de reemplazo idénticas. Esto asegurará que la seguridad de la herramienta eléctrica se mantenga.

•Nunca dé servicio a baterías dañadas. Únicamente el fabricante o proveedores de servicio autorizados deben dar servicio a las baterías.

REGLAS DE SEGURIDAD ESPECÍFICAS PARA LA HERRAMIENTA MULTIPLE

•Agarre la herramienta por los asideros aislados cuando realice una operación en la que la herramienta de corte pueda entrar en contacto con cables ocultos. El contacto con un cable "con corriente" hará que las partes de metal expuesto de la herramienta pasen la corriente y produzcan una descarga al operador.

•Use abrazaderas u otra manera práctica de asegurar y sustentar la pieza en la que se va a trabajar en una plataforma estable. Sujetar la pieza con la mano o contra su cuerpo la deja inestable y puede conducir a la pérdida de control.

•Para reducir el riesgo de explosión, descargas eléctricas y daños a la propiedad, siempre verifique que en el área de trabajo no haya conductos de gas, cables eléctricos ni tuberías de agua ocultos cuando vaya a realizar un corte a ciegas o por penetración.

•Mantenga las manos alejadas de todos los fillos y piezas en movimiento. No meta la mano debajo de la pieza en la que se está trabajando.

•No use una cuchilla desafilada o dañada, ya que puede provocar una fricción excesiva, agarramiento de la cuchilla y rebote.

•Conozca su pieza de trabajo. Quite los clavos y atornille las cabezas antes del raspado. Golpear los objetos duros con la segueta puede ocasionar la reacción de rebote de la herramienta.

•**ADVERTENCIA** Para reducir el riesgo de lesiones, al momento de realizar trabajos en situaciones donde haya presencia de polvo, utilice la protección respiratoria adecuada o utilice una solución de extracción de polvo que cumpla con los requisitos de la OSHA.

•Válgase siempre de su sentido común y sea cuidadoso cuando utilice herramientas. No es posible anticipar todas las situaciones que podrían tener un desenlace peligroso. No utilice esta herramienta si no entiende estas instrucciones de uso o si considera que el trabajo a realizar supera sus capacidades, comuníquese con Milwaukee Tool o con un profesional capacitado para recibir capacitación o información adicional.

•Conserve las etiquetas y las placas nominales. Contienen información importante. Si son ilegibles o no están presentes, comuníquese con un centro de servicio MILWAUKEE para obtener un reemplazo gratuito.

•**ADVERTENCIA** Algunos polvos generados por el lijado eléctrico, aserrado, pulido, taladrado y otras actividades de construcción contienen químicos identificados como causantes de cáncer, defectos congénitos u otros daños reproductivos. Algunos ejemplos de estos químicos son:

- plomo de pintura basada en plomo
- dióxido de silicio de los ladrillos y el cemento y otros productos de albañilería y
- arsénico y cromo de madera con tratamiento químico.

Su riesgo por estas exposiciones varía, dependiendo de la frecuencia con que realice este tipo de trabajo. Para reducir su exposición a estos químicos: trabaje en un área bien ventilada y trabaje con equipo de seguridad aprobado, como mascarillas protectoras contra polvo especialmente diseñadas para filtrar partículas microscópicas.

SIMBOLOGÍA

V Volts
 --- Corriente continua

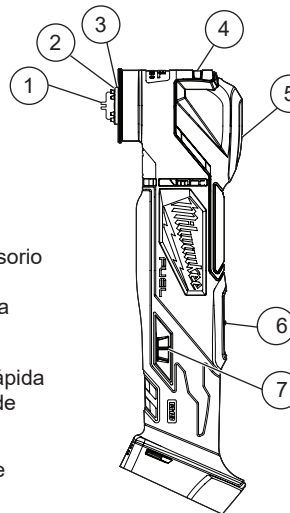
OPM Oscilaciones por minuto

UL US UL Listing Mark para Canadá y Estados Unidos

ESPECIFICACIONES

Cat. No.	2836-20
Volts.....	18 CD
Tipo de batería	M18™
Tipo de cargador	M18™
Sin carga OPM	10 000 a 20 000
Temperatura ambiente recomendada para operar.....	-18°C a 50°C (0°F a 125°F)

DESCRIPCION FUNCIONAL



1. Perno accesorio
2. Adaptador
3. Brida interna
4. LED
5. Palanca de liberación rápida
6. Interruptor de encendido/apagado
7. Indicador de velocidad

ENSAMBLAJE

•**ADVERTENCIA** Recargue la batería sólo con el cargador especificado para ella. Para instrucciones específicas sobre cómo cargar, lea el manual del operador suministrado con su cargador y la batería.

Como se inserta/quita la batería en la herramienta

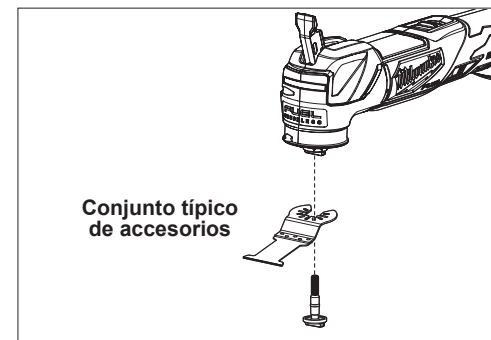
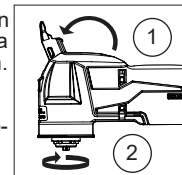
Para retirar la batería, presione los botones de liberación y jale de la batería para sacarla de la herramienta.

•**ADVERTENCIA** Para reducir el riesgo de lesiones, extraiga siempre la batería antes de acoplar o desacoplar accesorios. Para introducir la batería, deslícela en el cuerpo de la herramienta. Asegúrese de que quede bien firme en su posición.

•**ADVERTENCIA** Utilice únicamente accesorios específicamente recomendados para esta herramienta. El uso de accesorios no recomendados podría resultar peligroso.

Cambio de accesorios

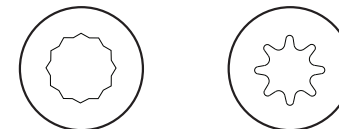
1. Extraiga la batería.
 2. Eleve la palanca de liberación rápida y empujela con firmeza hacia adelante sobre el retén. (1)
 3. Voltee la herramienta.
 4. Desatornille el perno accesorio. (2)
 5. Retire cualquier accesorio.
 6. Limpie toda la suciedad y desechos del perno, la brida y los accesorios.
 7. Coloque el accesorio y el perno en la herramienta. Apriete bien a mano.
- NOTA:** Si el accesorio no queda cómodamente en la brida, podría ser necesario usar un adaptador.
8. Presione la palanca de liberación rápida para que vuelva a su lugar.



Conjunto típico de accesorios

Adaptador

Adaptador de hoja 48-03-2526 (está disponible como accesorio) necesario para estos tipos de eje.



OPERACION

▲ADVERTENCIA Con el fin de minimizar el riesgo de lesiones, siempre utilice la protección de ojos adecuada indicada para cumplir con lo dispuesto en la norma ANSI Z87.1.

Al momento de realizar trabajos en situaciones donde haya presencia de polvo, utilice la protección respiratoria adecuada o utilice una solución de extracción de polvo que cumpla con los requisitos de la OSHA.

Selección de la velocidad

Gire el selector de velocidad a la velocidad deseada (1 a 10). Seleccione "A" para el inicio de función de carga automática a 15 000 OPM que aumentará hasta 20 000 OPM una vez que se aplique una carga.

Encendido y apagado

1. Para encender la herramienta, sujete el mango y deslice el interruptor hasta la posición de ENCENDIDO (I).
2. Deje que la herramienta alcance la velocidad máxima antes de empezar a trabajar.
3. Controle la presión y el contacto de la superficie entre el accesorio y la pieza de trabajo.
4. Para detener la herramienta, deslice hacia atrás el interruptor hasta la posición de APAGADO (O). Asegúrese de que la herramienta se detenga por completo antes de soltarla.

APLICACIONES

▲ADVERTENCIA Para reducir el riesgo de electrocución, antes de talar o colocar tornillos verifique que en el área de trabajo no hayan tuberías o cables ocultos.

Aplicaciones típicas

Hay una gran variedad de accesorios disponibles para las aplicaciones como el aserrado/corte, el raspado y el lijado.

Aserrado/corte

Instale una segueta para aserrar/cortar en un ángulo fácil de usar. Sujete con mordazas la pieza de trabajo de manera apropiada. Fije el selector de velocidad en una opción de velocidad alta. Encienda la herramienta y deje que alcance la velocidad máxima. Utilice la presión moderada para evitar que se queme o se sobrecaliente.

Raspado

Instale una segueta para raspar en un ángulo fácil de usar. Encienda la herramienta y deje que alcance la velocidad máxima. Presione ligeramente en un ángulo bajo para evitar el trabajo con gubia y el daño de la pieza de trabajo.

Lijado

Coloque una almohadilla de lija de refuerzo en un ángulo fácil de usar. Coloque un disco de lija o un papel de lija de corte para que se adapte a la almohadilla de refuerzo. Normalmente, utilice un grano de 24 ó 36 para remover material duro; un grano de 50, 60, ó 80 para remover el material medio y un grano 120 o 240 para el acabado. Comience siempre con un grano grueso y utilice, sucesivamente, granos más finos para obtener el acabado deseado. Sujete con mordazas la pieza de trabajo de manera apropiada. Encienda la herramienta y deje que alcance la velocidad máxima. Presione ligeramente con movimientos largos, de barrido y de un lado al otro, y avance hasta producir el acabado deseado.

MANTENIMIENTO

▲ADVERTENCIA Para reducir el riesgo de una lesión, desconecte siempre la herramienta antes de darle cualquier mantenimiento. Nunca desarme la herramienta ni trate de hacer modificaciones en el sistema eléctrico de la misma. Acuda siempre a un Centro de Servicio MILWAUKEE para TODAS las reparaciones.

Mantenimiento de las herramientas

Adopte un programa regular de mantenimiento y mantenga su herramienta en buenas condiciones. Inspeccione la herramienta para problemas como ruidos indebidos, desalineadas o agarradas de partes móviles, piezas rotas o cualquier otra condición que pueda afectar el funcionamiento de la herramienta. Envíe su herramienta al Centro de Servicio MILWAUKEE para reparación. Después de 6 meses a un año, dependiendo del uso dado, envíe su herramienta al Centro de Servicio MILWAUKEE más cercano para la inspección.

Si la herramienta no arranca u opera a toda su potencia con una batería completamente cargada, limpie, con una goma o borrador, los contactos de la batería y de la herramienta. Si aun así la herramienta no trabaja correctamente, regrésela, con el cargador y la batería, a un centro de servicio MILWAUKEE.

▲ADVERTENCIA Para reducir el riesgo de lesiones, descarga eléctrica o daño a la herramienta, nunca la sumerja en líquidos ni permita que estos fluyan dentro de la misma.

Limpieza

Limpie el polvo y suciedad de las ventilas. Mantenga los mangos limpios, secos y libres de aceite o grasa. Use solo jabón neutro y un trapo húmedo para limpiar, ya que algunos substancias y solventes limpiadores son dañinos a los plásticos y partes aislantes. Algunos de estos incluyen: gasolina, turpentina, thinner, lacas, thinner para pinturas, solventes para limpieza con cloro, amoníaco y detergentes caseros que tengan amonía. Nunca usa solventes inflamables o combustibles cerca de una herramienta.

Reparaciones

Si su herramienta, batería o cargador están dañados, envíela al centro de servicio autorizado más cercano.

ACCESORIOS

▲ADVERTENCIA Utilice sólo los accesorios específicamente recomendados. Otros accesorios puede ser peligrosos.

Para una lista completa de accesorios, visite nuestro sitio en Internet: www.milwaukeeetool.com o póngase en contacto con un distribuidor.

SOPORTE DE SERVICIO - MEXICO

CENTRO DE ATENCION A CLIENTES

Techtronic Industries Mexico, S.A. de C.V.

Av. Presidente Masarik 29 Piso 7

11560 Polanco V Seccion

Miguel Hidalgo, Distrito Federal, México

01 (800) 030-7777 o (55) 4160-3540

Lunes a Viernes (9am a 6pm)

O contáctanos en www.milwaukeeetool.com.mx

GARANTÍA LIMITADA - E.U.A. Y CANADÁ

Cada herramienta eléctrica* de MILWAUKEE (ver excepciones a continuación) está garantizada para el comprador original únicamente de que no tenga material y mano de obra defectuosos. Sujeto a ciertas excepciones, MILWAUKEE reparará o reemplazará cualquier parte en una herramienta eléctrica que tenga defectos de material o mano de obra según lo determine MILWAUKEE mediante una revisión, por un periodo de cinco (5) años** después de la fecha de compra a menos que se indique lo contrario. Al devolver la herramienta eléctrica a un Centro de Servicio de la fábrica de MILWAUKEE o a una Estación de Servicio Autorizada de MILWAUKEE, se requiere que el flete esté pagado por adelantado y asegurado. Se debe incluir una copia del comprobante de compra con el producto devuelto. Esta garantía no aplica a daños que MILWAUKEE determine que son ocasionados por reparaciones o intentos de reparaciones realizados por una persona que no sea personal autorizado de MILWAUKEE, uso indebido, alteraciones, maltrato, desgaste normal, falta de mantenimiento o accidentes.

Desgaste normal: Muchas herramientas eléctricas necesitan un reemplazo periódico de partes y servicio para lograr el mejor desempeño. Esta garantía no cubre la reparación cuando el uso normal ha agotado la vida de una parte, incluyendo sin limitar a mandriles, cepillos, cables, zapatas de la sierra, abrazaderas de la hoja, anillos en O, sellos, protectores, hojas de desatomilladores, pistones, herrajes, levantadores y arandelas de cubierta de los protectores.

*Esta garantía no cubre clavadoras y grapadoras neumáticas, pistola de pintura a presión, baterías inalámbricas, generadores de energía portátil de gasolina, herramientas de mano, palanca y cadena de mano de poliplasto - eléctricas, indumentaria calefactada M12™, producto recondicionado y productos de prueba y medición. Existen garantías por separado y distintas disponibles para estos productos.

**El periodo de garantía para los radios para obra, puerto de energía M12™, fuente de poder M18™, ventiladores para obra y carretillas de trabajo industrial Trade Titan™ es de un (1) año a partir de la fecha de compra. El periodo de garantía para los cables de limpieza de drenaje y AIRSNAKE™ los accesorios de pistola de aire de limpieza de drenaje es de dos (2) años a partir de la fecha de compra. El periodo de garantía de la pistola de calor compacta M18™, Extractor de polvo de 8 galones, M18™ enmarcar clavadoras, M18 FUEL™ 1/2" yunque prolongado torque controlado llave de impacto con ONE-KEY™, y M18 FUEL™ 1" llave de impacto de alto esfuerzo de torsión con ONE-KEY™ es de tres (3) años a partir de la fecha de compra. El periodo de garantía de las lámparas de LED en la Lámpara de trabajo LED y el Bulbo mejorado de LED para la Luz de trabajo es por la vida del producto sujeto a las limitaciones anteriores. Si durante el uso normal el LED o Bulbo de LED falla, la parte será reemplazada sin cargo.

No se requiere el registro de la garantía para obtener la garantía correspondiente a un producto de herramienta eléctrica de MILWAUKEE. La fecha de manufactura del producto se utilizará para determinar el periodo de garantía si no se proporciona comprobante de compra al solicitar el servicio en garantía.

LA ACEPTACIÓN DE LOS REMEDIOS EXCLUSIVOS DE REPARACIÓN Y REEMPLAZO AQUÍ DESCRITOS ES UNA CONDICIÓN DEL CONTRATO PARA LA COMPRA DE TODO PRODUCTO DE MILWAUKEE. SI USTED NO ACEPTA ESTA CONDICIÓN, NO DEBE COMPRAR EL PRODUCTO. MILWAUKEE NO SERÁ RESPONSABLE EN NINGUN CASO DE DAÑOS INCIDENTALES, ESPECIALES, EMERGENTES O PUNITIVOS NI DE NINGUN COSTO, HONORARIOS LEGALES, GASTOS, PÉRDIDAS O DEMORAS ALEGADAS COMO CONSECUENCIA DE ALGUN DAÑO, FALLA O DEFECTO EN NINGUN PRODUCTO, INCLUYENDO, ENTRE OTROS, RECLAMACIONES POR PÉRDIDA DE UTILIDADES. ALGUNOS ESTADOS NO PERMITEN LA EXCLUSIÓN O LIMITACIÓN DE RESPONSABILIDAD POR DAÑOS INCIDENTALES O EMERGENTES, POR LO QUE LA ANTERIOR LIMITACIÓN O EXCLUSIÓN PODRÍA NO APLICARSE EN SU CASO. ESTA GARANTÍA ES EXCLUSIVA Y REEMPLAZA TODAS LAS DEMÁS GARANTÍAS EXPRESAS, ESCRITAS U ORALES. EN LA MEDIDA EN QUE LO PERMITA LA LEY, MILWAUKEE DESCONOCE CUALQUIER GARANTÍA IMPLÍCITA, INCLUYENDO SIN LIMITACIÓN CUALQUIER GARANTÍA IMPLÍCITA DE COMERCIABILIDAD O IDONEIDAD PARA UN FIN O USO ESPECÍFICO; EN LA MEDIDA EN QUE DICHO DESCONOCIMIENTO NO SEA PERMITIDO POR LA LEY, DICHAS GARANTÍAS IMPLÍCITAS SE LIMITAN A LA DURACIÓN DE LA GARANTÍA EXPRESA CORRESPONDIENTE SEGÚN SE DESCRIBIÓ ANTERIORMENTE. ALGUNOS ESTADOS NO PERMITEN LIMITACIONES SOBRE LA DURACIÓN DE UNA GARANTÍA IMPLÍCITA, POR LO QUE LA ANTERIOR LIMITACIÓN PODRÍA NO APLICARSE A USTED. ESTA GARANTÍA LE DA DERECHOS LEGALES ESPECÍFICOS Y USTED PODRÍA ADEMÁS TENER OTROS DERECHOS QUE VARIAN DE UN ESTADO A OTRO.

Esta garantía aplica al producto vendido en los Estados Unidos y Canadá únicamente.

Consulte la "Búsqueda de centro de servicio" en la sección de Partes y servicio del sitio web de MILWAUKEE en www.milwaukeeetool.com o llame al 1.800.SAWDUST (1.800.729.3878) para localizar su centro de servicio más cercano para darle servicio con y sin garantía a una herramienta eléctrica de Milwaukee.

PÓLIZA DE GARANTÍA - VALIDA SOLO PARA MEXICO, AMERICA CENTRAL Y EL CARIBE

La garantía de TECHTRONIC INDUSTRIES es por 5 años a partir de la fecha original de compra.

Esta tarjeta de garantía cubre cualquier defecto de material y mano de obra en ese Producto.

Para hacer válida esta garantía, presente esta tarjeta de garantía, cerrada/sellada por el distribuidor o la tienda donde compró el producto, al Centro de Servicio Autorizado (ASC). O, si esta tarjeta no se ha cerrado/sellado, presente la prueba original de compra a ASC. Llame 55 4160-3547 para encontrar el ASC más cercano, para servicio, partes, accesorios o componentes.

Procedimiento para hacer válida esta garantía

Lleve el producto a ASC, junto con la tarjeta de garantía cerrada/sellada por el distribuidor o la tienda donde compró el producto, y cualquier pieza o componente defectuoso se reemplazará sin costo para usted. Cubriremos todos los costos de flete con relación a este proceso de garantía

Excepciones

Esta garantía no tendrá validez en las siguientes situaciones:

- a) Cuando el producto se use de manera distinta a la que indica el manual del usuario final o de instrucciones.
- b) Cuando las condiciones de uso no sean normales.
- c) Cuando otras personas no autorizadas por TECHTRONIC INDUSTRIES modifiquen o reparen el producto.

Nota: si el juego de cables está dañado, tiene que reemplazarse en un Centro de Servicio Autorizado para evitar riesgos eléctricos.

CENTRO DE SERVICIO Y ATENCIÓN

Llame al 55 4160-3547

IMPORTADO Y COMERCIALIZADO POR
TECHTRONIC INDUSTRIES, MEXICO, S.A. DE C.V.
Miguel de Cervantes Saavedra No.301 Piso 5, Torre Norte
11520 Colonia Ampliación Granada
Miguel Hidalgo, Ciudad de Mexico, Mexico

Modelo: _____

Fecha de Compra: _____

Sello del Distribuidor: _____

MILWAUKEE TOOL
13135 West Lisbon Road
Brookfield, WI 53005 USA

58140217d1
06/20

961013638-01(A)
Printed in China