



SERVICE PARTS LIST

BULLETIN NO.
54-04-0005

SPECIFY CATALOG NO. AND SERIAL NO. WHEN ORDERING PARTS		REVISED BULLETIN	DATE
M18™ Top Off 175W Power Supply			June 2020
CATALOG NO.	2846-20	STARTING SERIAL NO.	L74A
WIRING INSTRUCTION			

EXAMPLE:

00	0
----	---

 Component Parts (Small #) Are Included
 When Ordering The Assembly (Large #).

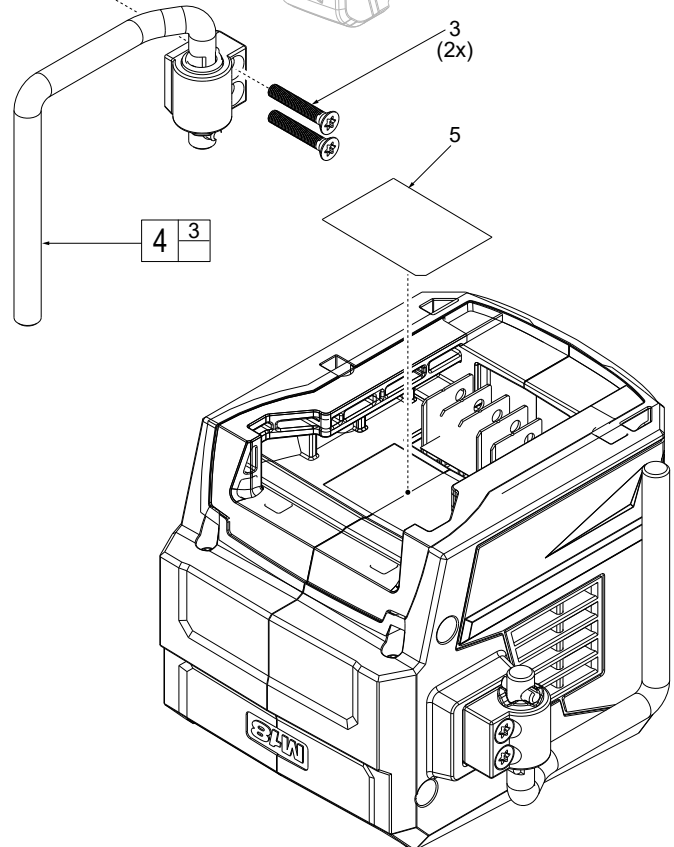
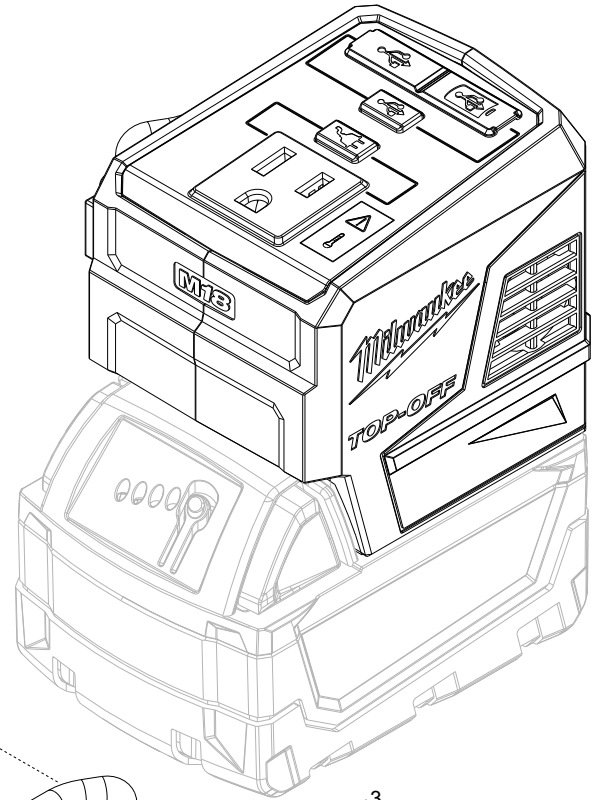
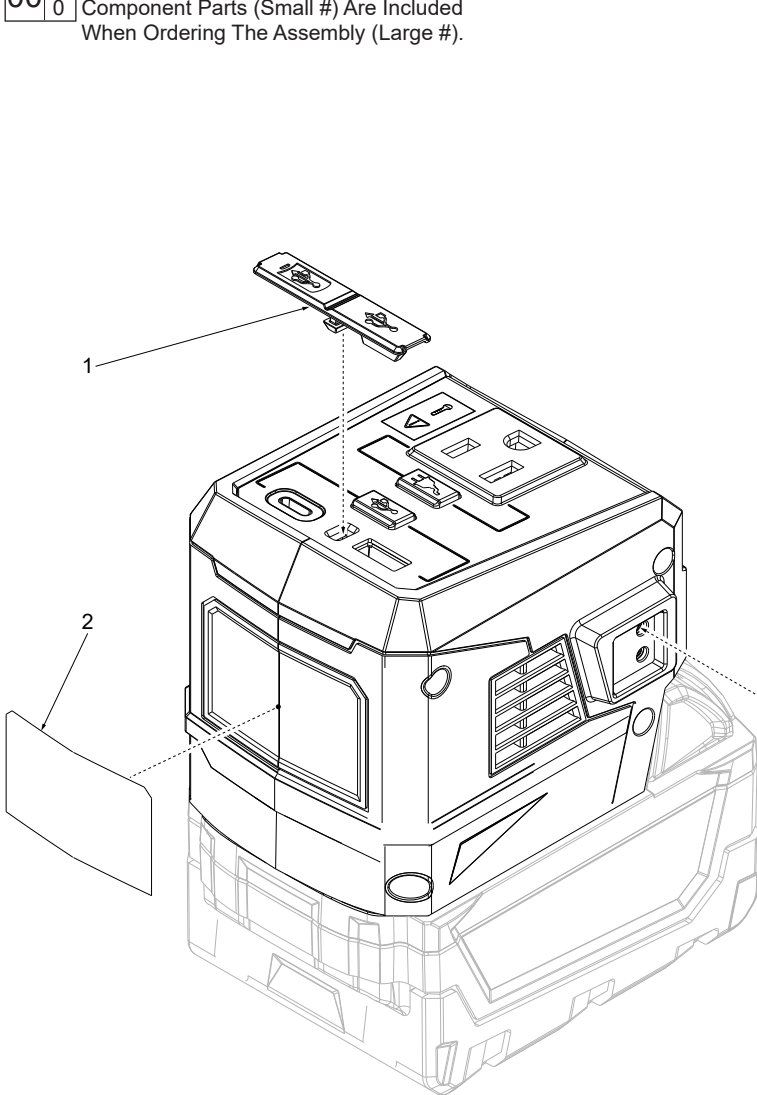


FIG.	PART NO.	DESCRIPTION OF PART	NO. REQ.
1	31-15-0126	USB Cover	(1)
2	10-20-5693	Warning Label	(1)
3	-----	M3 x 18mm Flat Hd. T-20 Screw	(2)
4	14-36-0015	Hanging Hook Assembly	(1)
5	12-20-0522	Service Nameplate	(1)

FIG. 2,5 NOTES
 A clean, dry surface is essential for proper performance for any adhesive system. The area intended for application of any adhesive label or nameplate must be prepared by cleaning with isopropyl alcohol. The solvent is to be applied with a clean, lint free applicator and the surface allowed to dry before applying the label or nameplate.