



SERVICE PARTS LIST

BULLETIN NO.
54-49-3115

SPECIFY CATALOG NO. AND SERIAL NO. WHEN ORDERING PARTS		REVISED BULLETIN	DATE
FASTBACK™ FLIP POCKET KNIFE			Aug. 2021
CATALOG NO. 48-22-1901	SERIAL NUMBER	WIRING INSTRUCTION	

EXAMPLE:
Component Parts (Small #) Are Included
When Ordering The Assembly (Large #).

NOTE:
Apply a drop of non-permanent thread locking sealant (Loctite® 222 or the equivalent) to the threads of each screw prior to installation. Fastener heads #4 must be subflush to the blade holder cover.

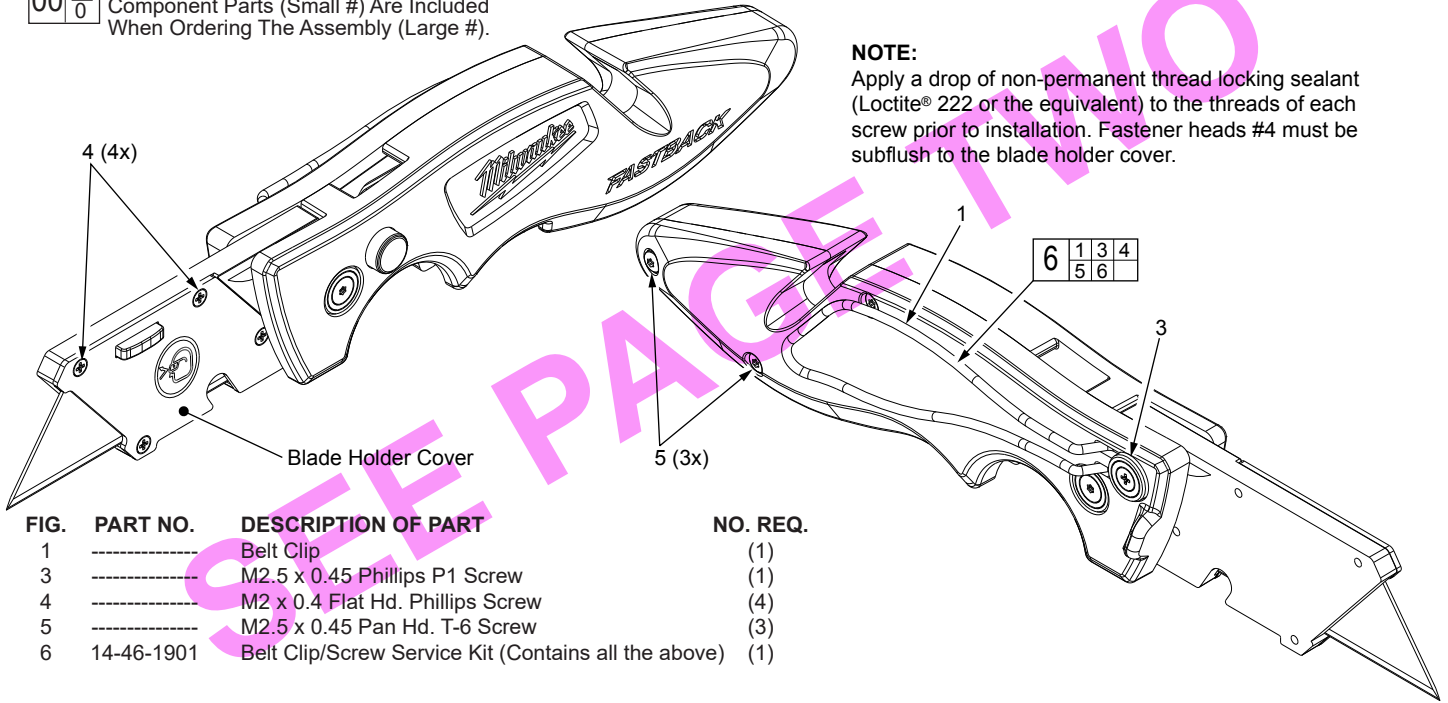


FIG.	PART NO.	DESCRIPTION OF PART	NO. REQ.
1	-----	Belt Clip	(1)
3	-----	M2.5 x 0.45 Phillips P1 Screw	(1)
4	-----	M2 x 0.4 Flat Hd. Phillips Screw	(4)
5	-----	M2.5 x 0.45 Pan Hd. T-6 Screw	(3)
6	14-46-1901	Belt Clip/Screw Service Kit (Contains all the above)	(1)

SPECIFY CATALOG NO. AND SERIAL NO. WHEN ORDERING PARTS		REVISED BULLETIN	DATE
FASTBACK II™ FLIP POCKET KNIFE			
CATALOG NO. 48-22-1902	SERIAL NUMBER	WIRING INSTRUCTION	

NOTE:
Apply a drop of non-permanent thread locking sealant (Loctite® 222 or the equivalent) to the threads of each screw prior to installation. Fastener heads #4 must be subflush to the blade holder cover.

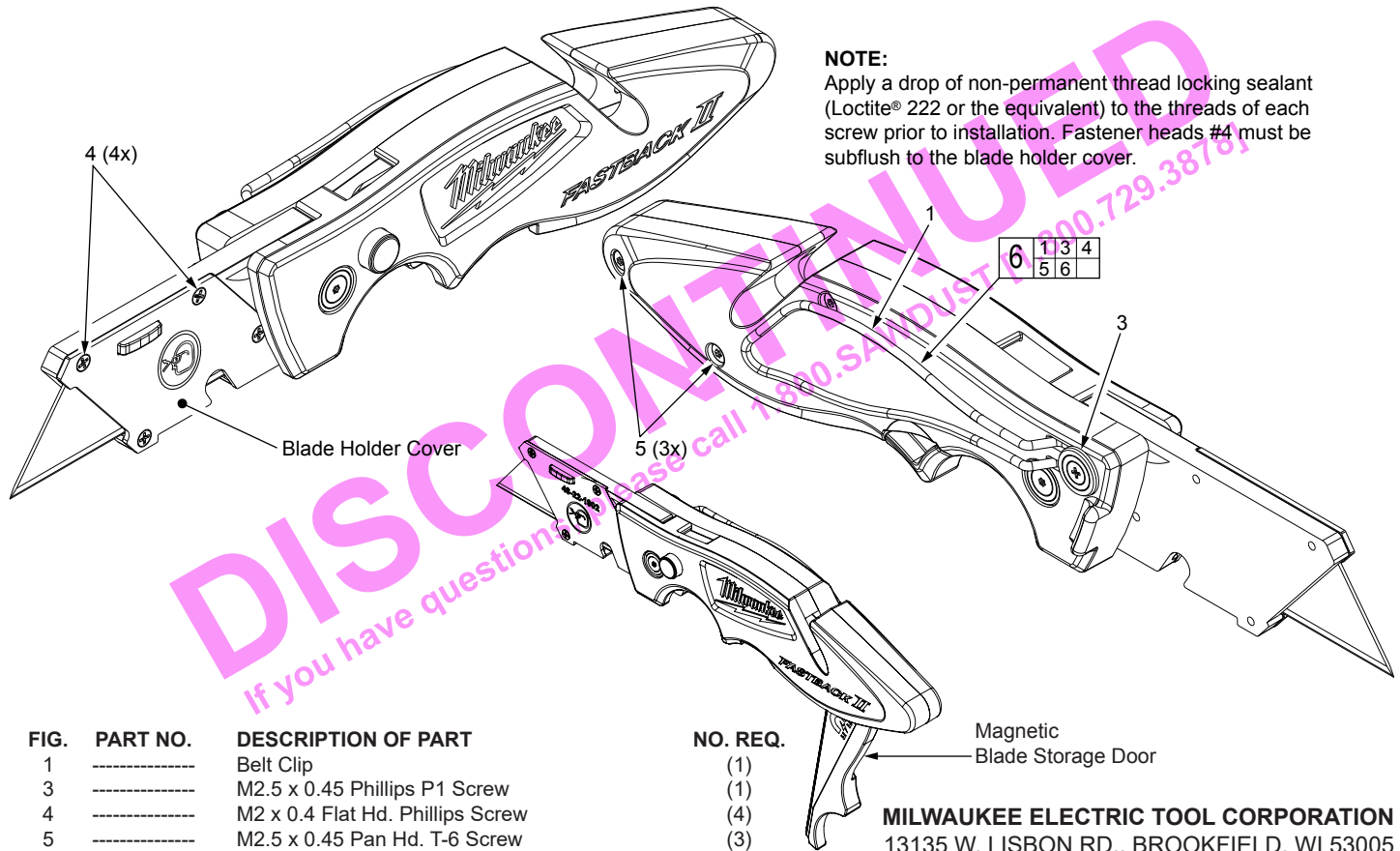


FIG.	PART NO.	DESCRIPTION OF PART	NO. REQ.
1	-----	Belt Clip	(1)
3	-----	M2.5 x 0.45 Phillips P1 Screw	(1)
4	-----	M2 x 0.4 Flat Hd. Phillips Screw	(4)
5	-----	M2.5 x 0.45 Pan Hd. T-6 Screw	(3)
6	14-46-1901	Belt Clip/Screw Service Kit (Contains all the above)	(1)

MILWAUKEE ELECTRIC TOOL CORPORATION
13135 W. LISBON RD., BROOKFIELD, WI 53005
Drwg. 5



SERVICE PARTS

BULLETIN NO.
54-49-3115

SPECIFY CATALOG NO. AND SERIAL NO. WHEN ORDERING PARTS		REVISED BULLETIN	DATE
FASTBACK™ FLIP POCKET KNIFE			Aug. 2021
CATALOG NO. 48-22-1901	SERIAL NUMBER	WIRING INSTRUCTION	

EXAMPLE:

00	0
----	---

 Component Parts (Small #) Are Included
 When Ordering The Assembly (Large #).

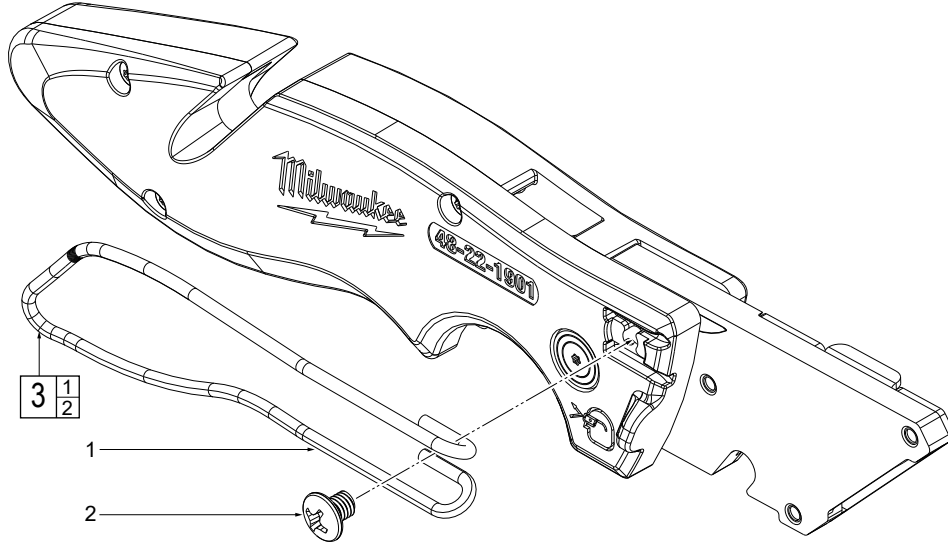
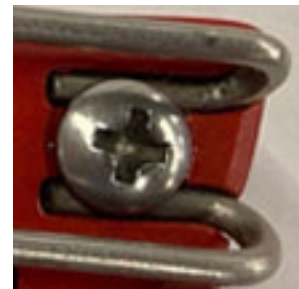


FIG.	PART NO.	DESCRIPTION OF PART	NO. REQ.
1	-----	Belt Clip	(1)
2	-----	M3.5 x .06 Phillips P1 Screw	(1)
3	14-46-1911	Belt Clip/Screw Service Kit (Contains all the above)	(1)

FASTBACK™ FLIP POCKET KNIFE (48-22-1901)
NOTE: Early design of this knife utilized a belt clip kit (14-46-1901) that is no longer available. The newer knife design uses a belt clip kit (14-46-1911). The two belt clip kits ARE NOT INTERCHANGEABLE. See detail below to determine which design you are trying to service.



Old belt clip design
 Belt Clip Service Kit 14-46-1901 is discontinued and no longer available.
 Contact 1.800.SAWDUST (1.800.729.3878) for warranty issues.



New belt clip design
 Order Belt Clip Service Kit 14-46-1911 for the new knife design.
 Note: Old and new belt clip service kits ARE NOT INTERCHANGEABLE between the old knife design and new knife design.