



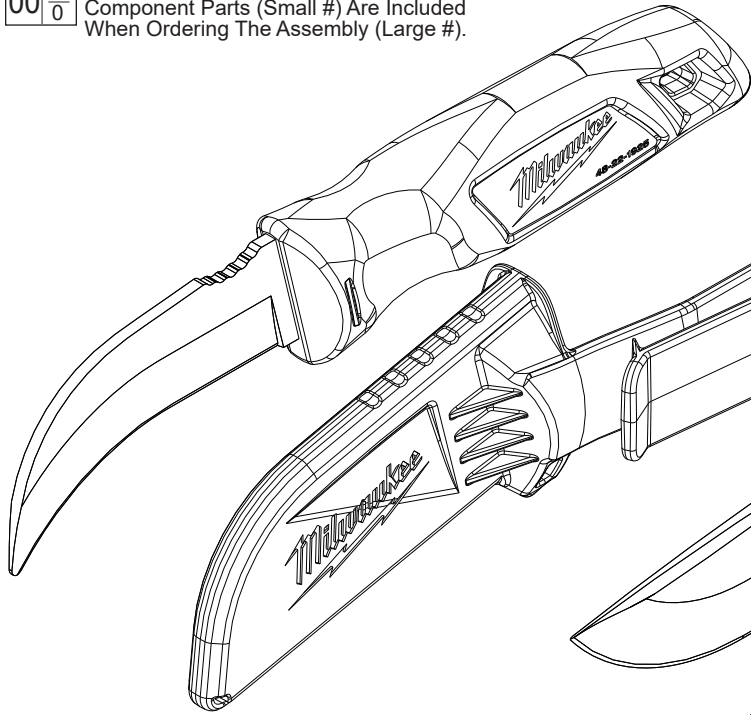
SERVICE PARTS LIST

BULLETIN NO.
54-49-3151

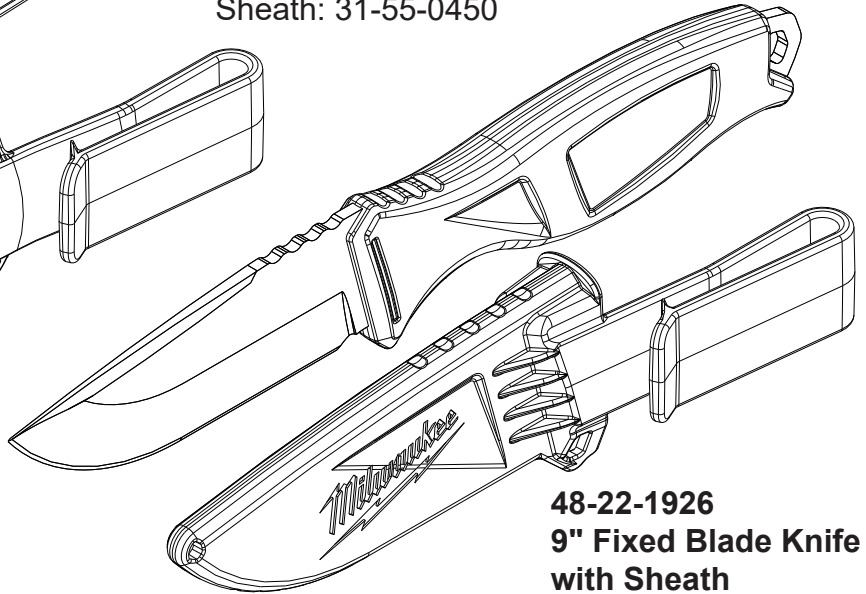
| SPECIFY CATALOG NO. AND SERIAL NO. WHEN ORDERING PARTS | | REVISED BULLETIN | DATE |
|--|-------------------|--|------------|
| FIXED BLADE KNIVES | | | Sept. 2017 |
| CATALOG NO. | 48-22-1925 | Hawk Bill Cable Stripping Knife | |
| | 48-22-1926 | 9" Fixed Blade Knife | |
| | 48-22-1928 | 10" HARDLINE Knife | |

EXAMPLE:
Component Parts (Small #) Are Included
When Ordering The Assembly (Large #).

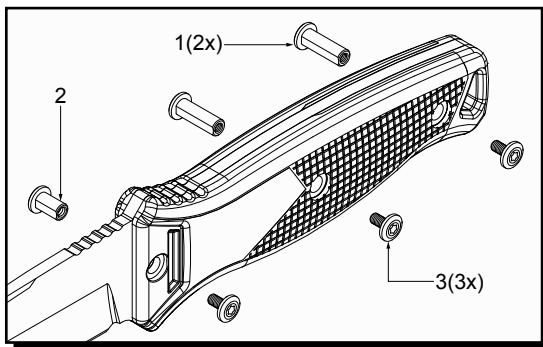
00 0



48-22-1925
Hawk Bill Cable Stripping Knife with Sheath
Replacement
Sheath: 31-55-0450



48-22-1926
9" Fixed Blade Knife with Sheath
Replacement
Sheath: 31-55-0451



48-22-1928
10" HARDLINE Knife with Sheath
Replacement Sheath:
31-55-0452

HARDLINE Hardware Service Kit
14-46-5003

Consists of the following:

- | | | |
|---|----------------------|---|
| 1 | M3 Long Barrel Nut | 2 |
| 2 | M3 Short Barrel Nut | 1 |
| 3 | M3 Pan Hd. T-8 Screw | 3 |

