



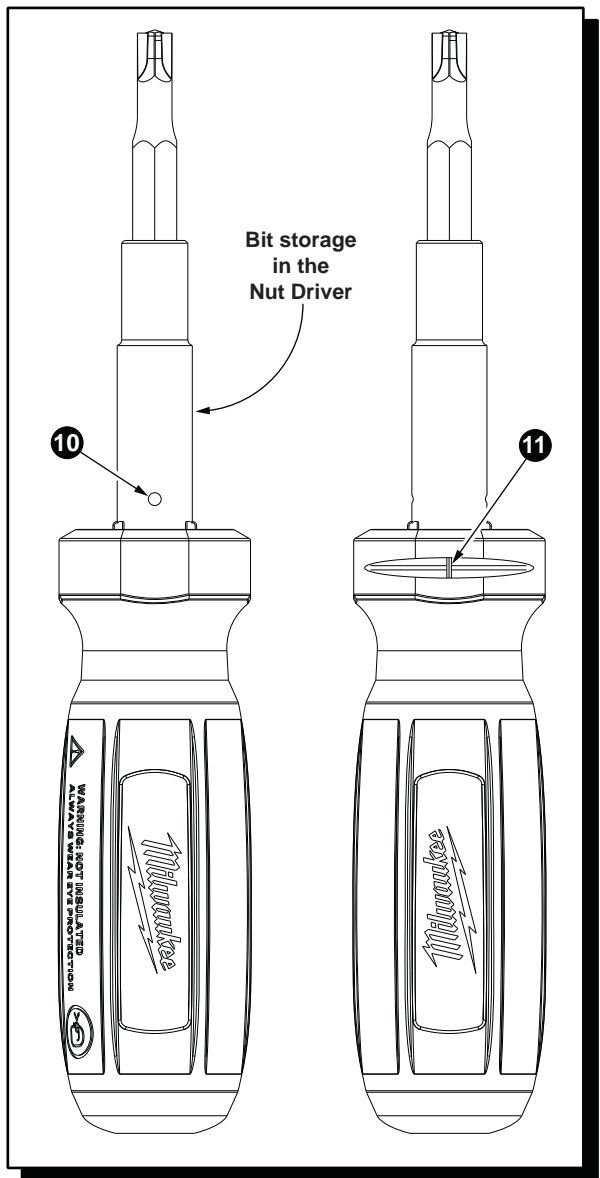
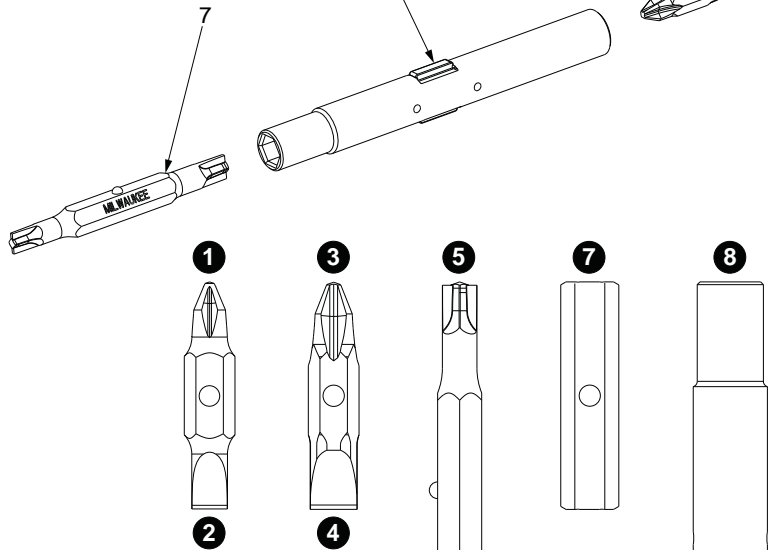
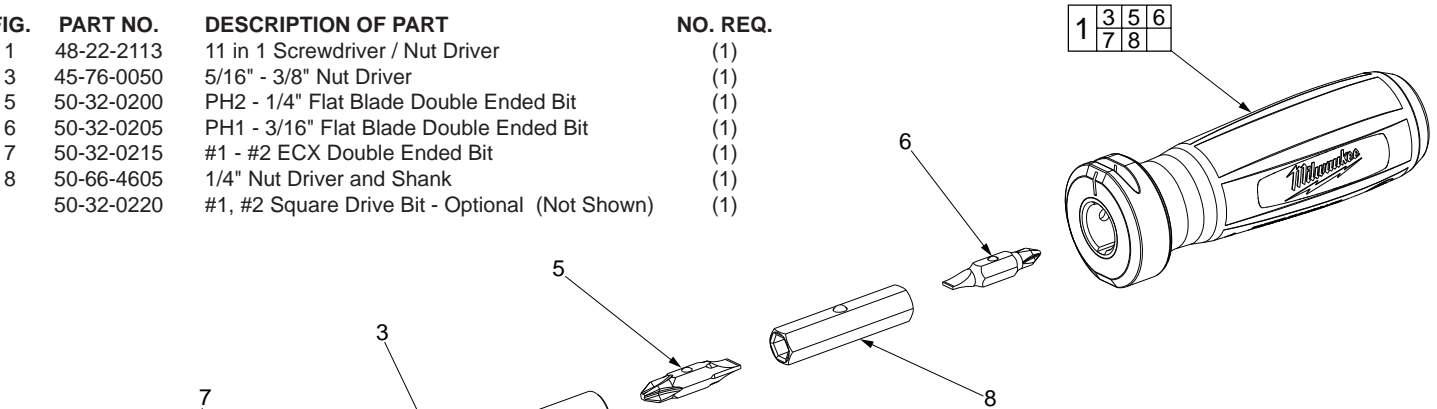
# SERVICE PARTS LIST

**BULLETIN NO.**  
54-49-3105

<b>SPECIFY CATALOG NO. AND SERIAL NO. WHEN ORDERING PARTS</b>		REVISED BULLETIN	DATE
<b>11 in 1 SCREWDRIVER / NUT DRIVER</b>			Aug. 2014
<b>CATALOG NO.</b> 48-22-2113	SERIAL NUMBER	WIRING INSTRUCTION	

**EXAMPLE:**  
Component Parts (Small #) Are Included  
When Ordering The Assembly (Large #).

FIG.	PART NO.	DESCRIPTION OF PART	NO. REQ.
1	48-22-2113	11 in 1 Screwdriver / Nut Driver	(1)
3	45-76-0050	5/16" - 3/8" Nut Driver	(1)
5	50-32-0200	PH2 - 1/4" Flat Blade Double Ended Bit	(1)
6	50-32-0205	PH1 - 3/16" Flat Blade Double Ended Bit	(1)
7	50-32-0215	#1 - #2 ECX Double Ended Bit	(1)
8	50-66-4605	1/4" Nut Driver and Shank	(1)
	50-32-0220	#1, #2 Square Drive Bit - Optional (Not Shown)	(1)



- 11 IN 1 SCREWDRIVER / NUT DRIVER**
- 1 PH1
  - 2 3/16" Flat
  - 3 PH2
  - 4 1/4" Flat
  - 5 #1 ECX
  - 6 #2 ECX
  - 7 1/4" Nut Driver
  - 8 5/16" Nut Driver
  - 9 3/8" Nut Driver
  - 10 Loop Maker (Bend up to 12 gauge wire)
  - 11 Wire Stripper (Strip up to 12 gauge wire)