



SERVICE PARTS LIST

BULLETIN NO.
54-49-3110

SPECIFY CATALOG NO. AND SERIAL NO. WHEN ORDERING PARTS		REVISED BULLETIN	DATE
RATCHET & NON-RATCHET MULTI-SCREWDRIVERS			Oct. 2013
CATALOG NO. 48-22-2101	Non-Ratchet Multi Screwdriver - US Bit Set		
48-22-2102	Non-Ratchet Multi Screwdriver - CAN Bit Set		
48-22-2103	Non-Ratchet Multi Screwdriver - Torx Bit Set		
48-22-2104	Non-Ratchet Multi Screwdriver - Hex Bit Set		
48-22-2106	Non-Ratchet Multi Screwdriver - Metric Hex Bit Set		
CATALOG NO. 48-22-2301	Ratcheting Multi Screwdriver - US Bit Set		
48-22-2302	Ratcheting Multi Screwdriver - CAN Bit Set		

Cat. No. 48-22-2101

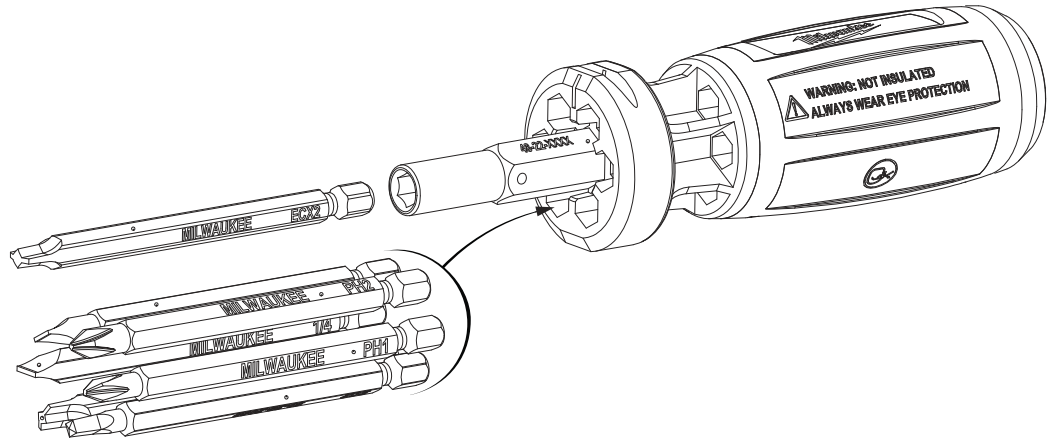
Non-Ratchet Multi Screwdriver-
US Bit Set

- 50-28-2000** 3.5" Phillips PH1 Bit
- 50-28-2005** 3.5" Phillips PH2 Bit
- 50-28-2025** 3.5" Slotted 3/16" Bit
- 50-28-2030** 3.5" Slotted 1/4" Bit
- 50-28-2050** 3.5" Combo ECX1 Bit
- 50-28-2055** 3.5" Combo ECX2 Bit
- 50-28-2080** 3.5" Square SQ2 Bit

Cat. No. 48-22-2102

Non-Ratchet Multi Screwdriver-
CAN Bit Set

- 50-28-2000** 3.5" Phillips PH1 Bit
- 50-28-2005** 3.5" Phillips PH2 Bit
- 50-28-2025** 3.5" Slotted 3/16" Bit
- 50-28-2030** 3.5" Slotted 1/4" Bit
- 50-28-2075** 3.5" Square SQ1 Bit
- 50-28-2080** 3.5" Square SQ2 Bit
- 50-28-2085** 3.5" Square SQ3 Bit



Cat. No. 48-22-2103

Non-Ratchet Multi Screwdriver-
Torx Bit Set

- 50-28-2100** 3.5" Torx T8 Bit
- 50-28-2105** 3.5" Torx T10 Bit
- 50-28-2110** 3.5" Torx T15 Bit
- 50-28-2115** 3.5" Torx T20 Bit
- 50-28-2120** 3.5" Torx T25 Bit
- 50-28-2125** 3.5" Torx T27 Bit
- 50-28-2130** 3.5" Torx T30 Bit

Cat. No. 48-22-2104

Non-Ratchet Multi Screwdriver-
Hex Bit Set

- 50-28-2150** 3.5" Hex Key H7/64" Bit
- 50-28-2155** 3.5" Hex Key H1/8" Bit
- 50-28-2160** 3.5" Hex Key H9/64" Bit
- 50-28-2165** 3.5" Hex Key H5/32" Bit
- 50-28-2170** 3.5" Hex Key H3/16" Bit
- 50-28-2175** 3.5" Hex Key H7/32" Bit
- 50-28-2180** 3.5" Hex Key H1/4" Bit

Cat. No. 48-22-2106

Non-Ratchet Multi Screwdriver-
Metric Hex Bit Set

- 50-28-2185** 3.5" Hex Key H1.5mm Bit
- 50-28-2190** 3.5" Hex Key H2mm Bit
- 50-28-2195** 3.5" Hex Key H2.5mm Bit
- 50-28-2200** 3.5" Hex Key H3mm Bit
- 50-28-2205** 3.5" Hex Key H4mm Bit
- 50-28-2210** 3.5" Hex Key H5mm Bit
- 50-28-2215** 3.5" Hex Key H6mm Bit

Cat. No. 48-22-2301

Ratcheting Multi Screwdriver-
US Bit Set

- 50-28-2000** 3.5" Phillips PH1 Bit
- 50-28-2005** 3.5" Phillips PH2 Bit
- 50-28-2025** 3.5" Slotted 3/16" Bit
- 50-28-2030** 3.5" Slotted 1/4" Bit
- 50-28-2050** 3.5" Combo ECX1 Bit
- 50-28-2055** 3.5" Combo ECX2 Bit
- 50-28-2080** 3.5" Square SQ2 Bit

Cat. No. 48-22-2302

Ratcheting Multi Screwdriver-
CAN Bit Set

- 50-28-2000** 3.5" Phillips PH1 Bit
- 50-28-2005** 3.5" Phillips PH2 Bit
- 50-28-2025** 3.5" Slotted 3/16" Bit
- 50-28-2030** 3.5" Slotted 1/4" Bit
- 50-28-2075** 3.5" Square SQ1 Bit
- 50-28-2080** 3.5" Square SQ2 Bit
- 50-28-2085** 3.5" Square SQ3 Bit

