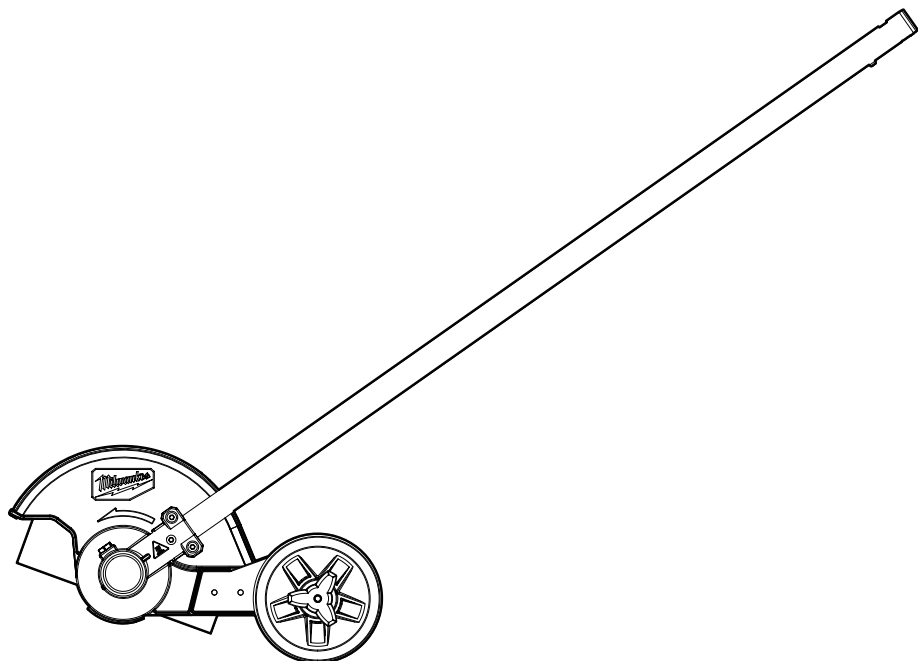






OPERATOR'S MANUAL  
MANUEL de L'UTILISATEUR  
MANUAL del OPERADOR



Cat. No. / No de cat.  
49-16-2718

**M18 FUEL™ EDGER ATTACHMENT W/ QUIK-LOK™**  
**ACCESSOIRE DE COUPE-BORDURES M18 FUEL™ AVEC**  
**QUIK-LOK™**  
**ACCESORIO DE LA ORILLADORA M18 FUEL™ CON**  
**QUIK-LOK™**

 **WARNING** To reduce the risk of injury, user must read and understand operator's manual.  
 **AVERTISSEMENT** Afin de réduire le risque de blessures, l'utilisateur doit lire et bien comprendre le manuel.  
**ADVERTENCIA** Para reducir el riesgo de lesiones, el usuario debe leer y entender el manual.

## GENERAL POWER TOOL SAFETY WARNINGS

**⚠WARNING** Read all safety warnings, instructions, illustrations and specifications provided with this power tool. Failure to follow all instructions listed below may result in electric shock, fire and/or serious injury. **Save all warnings and instructions for future reference.** The term "power tool" in the warnings refers to your mains-operated (corded) power tool or battery-operated (cordless) power tool.

### WORK AREA SAFETY

- **Keep work area clean and well lit.** Cluttered or dark areas invite accidents.
- **Do not operate power tools in explosive atmospheres, such as in the presence of flammable liquids, gases or dust.** Power tools create sparks which may ignite the dust or fumes.
- **Keep children and bystanders away while operating a power tool.** Distractions can cause you to lose control.

### ELECTRICAL SAFETY

- **Power tool plugs must match the outlet. Never modify the plug in any way. Do not use any adapter plugs with earthed (grounded) power tools.** Unmodified plugs and matching outlets will reduce risk of electric shock.
- **Avoid body contact with earthed or grounded surfaces, such as pipes, radiators, ranges and refrigerators.** There is an increased risk of electric shock if your body is earthed or grounded.
- **Do not expose power tools to rain or wet conditions.** Water entering a power tool will increase the risk of electric shock.
- **Do not abuse the cord. Never use the cord for carrying, pulling or unplugging the power tool. Keep cord away from heat, oil, sharp edges or moving parts.** Damaged or entangled cords increase the risk of electric shock.
- **When operating a power tool outdoors, use an extension cord suitable for outdoor use.** Use of a cord suitable for outdoor use reduces the risk of electric shock.
- **If operating a power tool in a damp location is unavoidable, use a ground fault circuit interrupter (GFCI) protected supply.** Use of an GFCI reduces the risk of electric shock.

### PERSONAL SAFETY

- **Stay alert, watch what you are doing and use common sense when operating a power tool. Do not use a power tool while you are tired or under the influence of drugs, alcohol or medication.** A moment of inattention while operating power tools may result in serious personal injury.
- **Use personal protective equipment. Always wear eye protection.** Protective equipment such as a dust mask, non-skid safety shoes, hard hat or hearing protection used for appropriate conditions will reduce personal injuries.
- **Prevent unintentional starting. Ensure the switch is in the off-position before connecting to power source and/or battery pack, picking up or carrying the tool.** Carrying power tools with your finger on the switch or energizing power tools that have the switch on invites accidents.
- **Remove any adjusting key or wrench before turning the power tool on.** A wrench or a key left

attached to a rotating part of the power tool may result in personal injury.

- **Do not overreach. Keep proper footing and balance at all times.** This enables better control of the power tool in unexpected situations.
- **Dress properly. Do not wear loose clothing or jewelry. Keep your hair and clothing away from moving parts.** Loose clothes, jewelry or long hair can be caught in moving parts.
- **If devices are provided for the connection of dust extraction and collection facilities, ensure these are connected and properly used.** Use of dust collection can reduce dust-related hazards.
- **Do not let familiarity gained from frequent use of tools allow you to become complacent and ignore tool safety principles.** A careless action can cause severe injury within a fraction of a second.

### POWER TOOL USE AND CARE

- **Do not force the power tool. Use the correct power tool for your application.** The correct power tool will do the job better and safer at the rate for which it was designed.
- **Do not use the power tool if the switch does not turn it on and off.** Any power tool that cannot be controlled with the switch is dangerous and must be repaired.
- **Disconnect the plug from the power source and/or remove the battery pack, if detachable, from the power tool before making any adjustments, changing accessories, or storing power tools.** Such preventive safety measures reduce the risk of starting the power tool accidentally.
- **Store idle power tools out of the reach of children and do not allow persons unfamiliar with the power tool or these instructions to operate the power tool.** Power tools are dangerous in the hands of untrained users.
- **Maintain power tools and accessories. Check for misalignment or binding of moving parts, breakage of parts and any other condition that may affect the power tool's operation. If damaged, have the power tool repaired before use.** Many accidents are caused by poorly maintained power tools.
- **Keep cutting tools sharp and clean.** Properly maintained cutting tools with sharp cutting edges are less likely to bind and are easier to control.
- **Use the power tool, accessories and tool bits etc. in accordance with these instructions, taking into account the working conditions and the work to be performed.** Use of the power tool for operations different from those intended could result in a hazardous situation.
- **Keep handles and grasping surfaces dry, clean and free from oil and grease.** Slippery handles and grasping surfaces do not allow for safe handling and control of the tool in unexpected situations.

### BATTERY TOOL USE AND CARE

- **Recharge only with the charger specified by the manufacturer.** A charger that is suitable for one type of battery pack may create a risk of fire when used with another battery pack.
- **Use power tools only with specifically designated battery packs.** Use of any other battery packs may create a risk of injury and fire.
- **When battery pack is not in use, keep it away from other metal objects, like paper clips, coins, keys, nails, screws or other small metal objects,**

that can make a connection from one terminal to another. Shorting the battery terminals together may cause burns or a fire.

- **Under abusive conditions, liquid may be ejected from the battery; avoid contact. If contact accidentally occurs, flush with water. If liquid contacts eyes, additionally seek medical help.** Liquid ejected from the battery may cause irritation or burns.
- **Do not use a battery pack or tool that is damaged or modified.** Damaged or modified batteries may exhibit unpredictable behavior resulting in fire, explosion or risk of injury.
- **Do not expose a battery pack or tool to fire or excessive temperature.** Exposure to fire or temperature above 265°F (130°C) may cause explosion.
- **Follow all charging instructions and do not charge the battery pack or tool outside the temperature range specified in the instructions.** Charging improperly or at temperatures outside the specified range may damage the battery and increase the risk of fire.

## SERVICE

- **Have your power tool serviced by a qualified repair person using only identical replacement parts.** This will ensure that the safety of the power tool is maintained.
- **Never service damaged battery packs.** Service of battery packs should only be performed by the manufacturer or authorized service providers.

## SPECIFIC SAFETY RULES FOR EDGERS

- **Before use, read this manual, and all manuals and labels of this tool and its power head. Failure to follow the warnings and instructions may result in serious injury. Use tool only as described in this manual.** Use only attachments recommended by MILWAUKEE.
- **Always wear eye and hearing protection, and protective clothing and footwear, according to the operation being performed. Wear heavy, long pants, long sleeves, boots, and gloves. Contain long hair.** Do not wear loose clothing or jewelry. Do not wear short pants, sandals, or go barefoot.
- **Keep bystanders at least 50' away during use.** Objects may be thrown or ricochet in all directions.
- **This tool is for use in edging along hard surfaces, such as sidewalks, driveways, flower beds, curbs, and similar areas. Do not use the tool on or near gravel surfaces.**
- **Know your environment.** Be cautious around uneven sidewalks and terrain, as well as other hazardous conditions. Always push the tool slowly over rough ground.
- **Inspect the area before using the tool.** Remove all debris and hard objects such as rocks, glass, wire, etc. that can ricochet, be thrown, or otherwise cause injury or damage during operation.
- **AWARNING** Do not operate near electric power lines. The unit has not been designed to provide protection from electric shock in the event of contact with electric power lines. Consult local regulations for safe distances from electric power lines and ensure that the operating position is safe and secure before use.
- **Do not use an attachment extension with this tool attachment. The additional length will make this attachment difficult to control and could cause injury.**

- **Do not use the tool near anything that is burning or smoking** such as cigarettes, matches, or hot ashes.
- **To reduce the risk of health hazards from vapors or dust, do not use tool near toxic, carcinogenic or other hazardous materials** such as asbestos, arsenic, barium, beryllium, lead, pesticides or other health endangering materials.
- **Use care when using around decorative plants and other obstacles.** Accessories will cut/damage many materials.
- **Do not use brush cutting wheels, accessories, or attachment other than those recommended by MILWAUKEE.** Serious injury or product damage may occur.
- **Do not operate the tool without the guard in place. The guard must be attached properly during use.** Operating the tool without the guard will cause serious injury.
- **Do not use tool with a damaged head.** Cracked or broken pieces can be thrown.
- **Do not operate the tool without the front handle in place. The front handle must be attached properly during use. Use both hands when operating the tool, according to the attachment instructions. Maintain a firm grip.** Using one hand could cause loss of control and result in serious injury.
- **Keep face, hands and feet clear of moving parts at all times.** Moving parts can cause severe lacerations.
- **Always keep your right hand on the rear handle and your left hand on the front handle when the blade is rotating.**
- **Brace for unexpected movement when contact is made with a hard object.** Loss of control could result in serious injury.
- **Thrown objects may ricochet off of hard surfaces, such as walls, trees, and rocks and cause injury.** When possible, do trimming by hand in closed in areas.
- **Carry the tool by the front handle to avoid accidental starting.** Proper handling of the tool will prevent injury.
- **Always turn off the tool when transporting from one location to another.** Do not carry tool with finger on the trigger. Accidental starting can cause serious personal injury.
- **Hold the tool motionless until the blade comes to a complete stop. A coasting blade can cause injury.**
- **Keep all parts of your body back and to the left of the blade. Do not stand in line or to the right of the blade.**
- **Inspect tool for damage if contact is made with a hard object. If damaged, have the tool repaired before use.**
- **Remove battery pack and follow all instructions when clearing obstructions or jams.**
- **Do not immerse in water or spray with a hose. Do not clean with a pressure washer.** Water entering a power tool will increase the risk of electric shock. Store tool indoors.
- **Do not store the power tool on or near to fertilizers or chemicals.**
- **Always turn off the tool and then remove battery pack before changing or removing accessories.**
- **Blade may be sharp. Replace worn blades. Always wear protective gloves when handling the blade.**
- **Hold the tool by insulated gripping surfaces only, because the tool may contact hidden wiring. Blades contacting a "live" wire may make exposed metal parts of the tool "live" and could give the operator an electric shock.**

- **Always use common sense and be cautious when using tools.** It is not possible to anticipate every situation that could result in a dangerous outcome. Do not use this tool if you do not understand these operating instructions or you feel the work is beyond your capability; contact Milwaukee Tool or a trained professional for additional information or training.
- **Maintain labels and nameplates.** These carry important information. If unreadable or missing, contact a MILWAUKEE service facility for a free replacement.

**AWARNING** Some dust created by power sanding, sawing, grinding, drilling, and other construction activities contains chemicals known to cause cancer, birth defects or other reproductive harm. Some examples of these chemicals are:

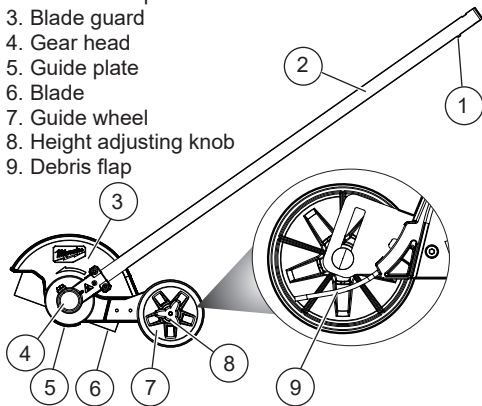
- lead from lead-based paint
- crystalline silica from bricks and cement and other masonry products, and
- arsenic and chromium from chemically-treated lumber.

Your risk from these exposures varies, depending on how often you do this type of work. To reduce your exposure to these chemicals: work in a well ventilated area, and work with approved safety equipment, such as those dust masks that are specially designed to filter out microscopic particles.

# READ AND SAVE ALL INSTRUCTIONS FOR FUTURE USE

## FUNCTIONAL DESCRIPTION

1. Detent
2. Attachment pole
3. Blade guard
4. Gear head
5. Guide plate
6. Blade
7. Guide wheel
8. Height adjusting knob
9. Debris flap



## SPECIFICATIONS

Cat. No. ....	49-16-2718
Power Head .....	2825-20
RPM .....	0-3900
Blade Arbor .....	1"
Blade Size .....	8"
Replacement Blade .....	Cat. No. 42-26-2718

## SYMBOLGY



Volts



Direct Current

$n_0$  XXXX min<sup>-1</sup> No Load Revolutions per Minute (RPM)



Safety Alert Symbol



Read operator's manual



Always wear eye protection and use proper personal protective equipment.



Wear non-slip safety footwear



Wear protective gloves



**DANGER** Keep hands and feet away from blade.



Keep bystanders at least 50' away during use.



**DANGER** Avoid blade contact during use.



**CAUTION** Surface is hot. Avoid contact.



UL Listing for Canada and U.S.

## ASSEMBLY

**WARNING** Before use, read manual and labels of the power head. Important assembly and use instructions are provided in the power head manual. Connect the attachment to the power head in accordance with the power head manual.

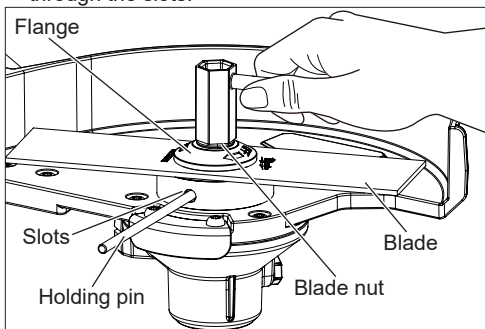
Do not operate the tool without the guard in place. The guard must be attached properly during use. Operating the tool without the guard will cause serious injury.

Always remove battery pack before changing or removing accessories.

### Replacing the Blade

Always inspect blades before use and replace if worn or damaged.

1. Remove the battery pack.
2. Turn the gear head on its side and rotate the blade until the slots align. Slide the holding pin through the slots.

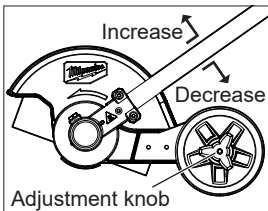


3. Use the 13 mm socket wrench provided to loosen the blade nut (clockwise).
4. Remove the blade nut, flange, and blade.
5. Clean any debris from the flange, nut, and spindle.
6. Place the new blade flat on the spindle.
7. Place the flange and nut on the spindle. Tighten securely with the 13 mm socket wrench (counterclockwise).

**NOTE:** Always make sure blade is undamaged, correctly installed, and securely fastened before each use.

### Adjusting Depth of Cut

1. Remove the battery pack.
2. Loosen the height adjusting knob and slide the wheel up to increase the depth, or down to decrease the depth.
3. Tighten the height adjusting knob securely.



**NOTE:** Start the job with a shallow blade depth (1/2" to 1") and increase depth by 1/2" until the desired cut is achieved.

### Selecting the Speed

When using this attachment, only HIGH SPEED is recommended. Use the speed control button to select HIGH SPEED.



## OPERATION

**WARNING** To reduce the risk of injury, always wear proper eye protection marked to comply with ANSI Z87.1.

Always remove battery pack before changing or removing accessories or attachments.

Do not operate the tool without the front handle in place. The front handle must be attached properly for use. Using one hand could cause loss of control and result in serious injury.

Do not operate the tool without the guard in place. The guard must be attached properly during use. Operating the tool without the guard will cause serious injury.

Use both hands when operating the tool. Maintain a firm grip. Using one hand could cause loss of control and result in serious injury.

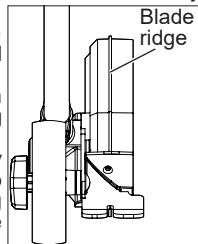
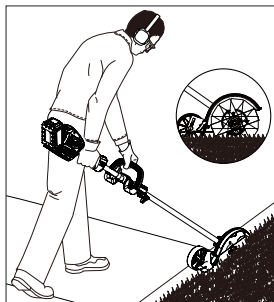
Inspect the area before use. Remove all debris and hard objects such as rocks, glass, wire, etc. that can ricochet, be thrown, or otherwise cause injury or damage during operation.

Keep all parts of your body back and to the left of the blade. Do not stand in line or to the right of the blade.

### Edging

Use this tool for edging along hard surfaces, such as sidewalks, driveways, flower beds, curbs, and similar areas. Do not use the tool on or near gravel surfaces.

1. Grasp the tool firmly with your right hand on the rear handle and your left hand on the front handle. Always stand behind the guard. Hold the tool in a comfortable position with the rear handle about hip height.
2. To start the tool, squeeze the lock-off lever and pull the trigger.
3. To vary the speed, increase or decrease the pressure on the trigger. The further the trigger is pulled, the greater the speed up to the maximum set by the speed control button.
4. Slide the tool along the surface, taking care to avoid contact with hard objects.
5. Use the blade ridge to align the blade with the edging surface.
6. Push the tool at a steady pace. If the blade begins to bog down, slow the cutting pace. Do not force the blade into the ground.



**NOTE:** Avoid edging in wet soil/grass. The blade guard may clog and cause unexpected results. If the blade guard becomes clogged, stop the tool, remove the battery pack, and clean debris from the blade guard.

## MAINTENANCE

**⚠WARNING** To reduce the risk of injury, always unplug the charger and remove the battery pack from the charger or tool before performing any maintenance. Never disassemble the tool, battery pack or charger. Contact a MILWAUKEE service facility for ALL repairs.

### Maintaining Tool

Keep your tool, battery pack and charger in good repair by adopting a regular maintenance program. Inspect your tool for issues such as undue noise, misalignment or binding of moving parts, breakage of parts, or any other condition that may affect the tool operation. Return the tool, battery pack, and charger to a MILWAUKEE service facility for repair. After six months to one year, depending on use, return the tool, battery pack and charger to a MILWAUKEE service facility for inspection.

If the tool does not start or operate at full power with a fully charged battery pack, clean the contacts on the battery pack. If the tool still does not work properly, return the tool, charger and battery pack, to a MILWAUKEE service facility for repairs.

**⚠WARNING** To reduce the risk of personal injury and damage, never immerse your tool, battery pack or charger in liquid or allow a liquid to flow inside them.

### Cleaning

Clean dust and debris from vents. Keep handles clean, dry and free of oil or grease. Use only mild soap and a damp cloth to clean, since certain cleaning agents and solvents are harmful to plastics and other insulated parts. Some of these include gasoline, turpentine, lacquer thinner, paint thinner, chlorinated cleaning solvents, ammonia and household detergents containing ammonia. Never use flammable or combustible solvents around tools.

### Repairs

For repairs, return the tool, battery pack and charger to the nearest service center.

## ACCESSORIES

**⚠WARNING** Use only recommended accessories. Others may be hazardous.

For a complete listing of accessories, go online to [www.milwaukeeetool.com](http://www.milwaukeeetool.com) or contact a distributor.

## SERVICE - UNITED STATES

**1-800-SAWDUST (1.800.729.3878)**

Monday-Friday, 7:00 AM - 6:30 PM CST  
or visit [www.milwaukeeetool.com](http://www.milwaukeeetool.com)

Contact Corporate After Sales Service Technical Support with technical, service/repair, or warranty questions.

Email: [metproductsupport@milwaukeeetool.com](mailto:metproductsupport@milwaukeeetool.com)

Become a Heavy Duty Club Member at [www.milwaukeeetool.com](http://www.milwaukeeetool.com) to receive important notifications regarding your tool purchases.

## SERVICE - CANADA

**Milwaukee Tool (Canada) Ltd**

**1.800.268.4015**

Monday-Friday, 7:00 AM - 4:30 PM CST  
or visit [www.milwaukeeetool.ca](http://www.milwaukeeetool.ca)

## LIMITED WARRANTY USA & CANADA

Every MILWAUKEE Outdoor Power Equipment Product\* (see exceptions below) is warranted to the original purchaser only to be free from defects in material and workmanship. Subject to certain exceptions, MILWAUKEE will repair or replace any part on an outdoor power equipment product which, after examination, is determined by MILWAUKEE to be defective in material or workmanship for a period of three (3) years after the date of purchase unless otherwise noted. Return of the outdoor power equipment to a MILWAUKEE factory Service Center location or participating MILWAUKEE Authorized Service Station, freight prepaid and insured, is required. A copy of the proof of purchase should be included with the return product. This warranty does not apply to damage that MILWAUKEE determines to be from repairs made or attempted by anyone other than MILWAUKEE authorized personnel, misuse, alterations, abuse, normal wear and tear, lack of maintenance, or accidents.

Normal Wear: Many outdoor power equipment products need periodic parts replacement and service to achieve best performance. This warranty does not cover repair when normal use has exhausted the life of a part including, but not limited to trimmer head, trimmer head spool, cutting lines, blades, chains, blower tubes, brushes, o-rings, and seals. \*This warranty does not cover Cordless Battery Packs or Reconditioned Product. There are separate and distinct warranties available for these products.

MILWAUKEE does not cover freight or labor charges associated with the inspection and testing of outdoor power equipment products which are found by MILWAUKEE not to be a valid warranty claim. A valid warranty claim must be substantiated by the discovery of defective material or workmanship by MILWAUKEE.

ACCEPTANCE OF THE EXCLUSIVE REPAIR AND REPLACEMENT REMEDIES DESCRIBED HEREIN IS A CONDITION OF THE CONTRACT FOR THE PURCHASE OF EVERY MILWAUKEE PRODUCT. IF YOU DO NOT AGREE TO THIS CONDITION, YOU SHOULD NOT PURCHASE THE PRODUCT. IN NO EVENT SHALL MILWAUKEE BE LIABLE FOR ANY INCIDENTAL, SPECIAL, CONSEQUENTIAL OR PUNITIVE DAMAGES, OR FOR ANY COSTS, ATTORNEY FEES, EXPENSES, LOSSES OR DELAYS ALLEGED TO BE AS A CON-

SEQUENCE OF ANY DAMAGE TO, FAILURE OF, OR DEFECT IN ANY PRODUCT INCLUDING, BUT NOT LIMITED TO, ANY CLAIMS FOR LOSS OF PROFITS. SOME STATES DO NOT ALLOW THE EXCLUSION OR LIMITATION OF INCIDENTAL OR CONSEQUENTIAL DAMAGES, SO THE ABOVE LIMITATION OR EXCLUSION MAY NOT APPLY TO YOU. THIS WARRANTY IS EXCLUSIVE AND IN LIEU OF ALL OTHER EXPRESS WARRANTIES, WRITTEN OR ORAL. TO THE EXTENT PERMITTED BY LAW, MILWAUKEE DISCLAIMS ANY IMPLIED WARRANTIES, INCLUDING WITHOUT LIMITATION ANY IMPLIED WARRANTY OF MERCHANTABILITY OR FITNESS FOR A PARTICULAR USE OR PURPOSE, TO THE EXTENT SUCH DISCLAIMER IS NOT PERMITTED BY LAW, SUCH IMPLIED WARRANTIES ARE LIMITED TO THE DURATION OF THE APPLICABLE EXPRESS WARRANTY AS DESCRIBED ABOVE. SOME STATES DO NOT ALLOW LIMITATIONS ON HOW LONG AN IMPLIED WARRANTY LASTS, SO THE ABOVE LIMITATION MAY NOT APPLY TO YOU. THIS WARRANTY GIVES YOU SPECIFIC LEGAL RIGHTS, AND YOU MAY ALSO HAVE OTHER RIGHTS WHICH VARY FROM STATE TO STATE.

This warranty applies to product sold in the U.S.A. and Canada only. Please consult the 'Service Center Search' in the Parts & Service section of MILWAUKEE's website [www.milwaukeeool.com](http://www.milwaukeeool.com) or call 1.800.SAWDUST (1.800.729.3878) to locate your nearest service facility for warranty and non-warranty service on a Milwaukee electric power tool.

### LIMITED WARRANTY - MEXICO, CENTRAL AMERICA & CARIBBEAN

TECHTRONIC INDUSTRIES' warranty is for 3 years since the original purchase date.

This warranty card covers any defect in material and workmanship on this Product.

To make this warranty valid, present this warranty card, sealed/stamped by the distributor or store where you purchased the product, to the Authorized Service Center (ASC). Or, if this card has not been sealed/stamped, present the original proof of purchase to the ASC.

Call toll-free 1 01 (800) 030-7777 to find the nearest ASC, for service, parts, accessories or components.

#### Procedure to make this warranty valid

Take the product to the ASC, along with the warranty card sealed/stamped by the distributor or store where you purchased the product, and any faulty piece or component will be replaced without cost for you. We will cover all freight costs relative with this warranty process.

#### Exceptions

This warranty is not valid in the following situations

a) When the product is used in a different manner from the end-user guide or instruction manual.

b) When the conditions of use are not normal.

c) When the product was modified or repaired by people not authorized by TECHTRONIC INDUSTRIES.

**Note:** If cord set is damaged, it should be replaced by an Authorized Service Center to avoid electric risks.

SERVICE AND ATTENTION CENTER

Call to 01 (800) 030-7777

IMPORTED AND COMMERCIALIZED BY  
TECHTRONIC INDUSTRIES MEXICO, SA DE CV  
Av President Masarik #29 piso 7, Col. Polanco V Sección  
CP 11560, Deleg. Miguel Hidalgo, CDMX

Model: \_\_\_\_\_

Date of Purchase: \_\_\_\_\_

Distributor or Store Stamp: \_\_\_\_\_

## RÈGLES DE SÉCURITÉ GÉNÉRALES RELATIVES AUX OUTILS ÉLECTRIQUES

**⚠ AVERTISSEMENT** Lire toutes les consignes de sécurité, consignes, illustrations et spécifications fournies avec cet outil électrique. Ne pas suivre l'ensemble des règles et instructions peut entraîner une électrocution, un incendie ou des blessures graves. **Conserver les règles et les instructions à des fins de référence ultérieure.** Le terme «outil électrique» figurant dans les avertissements ci-dessous renvoie à l'outil électrique à alimentation par le réseau (à cordon) ou par batterie (sans fil).

### SÉCURITÉ DU LIEU DE TRAVAIL

- **Veillez à ce que l'aire de travail soit propre et bien éclairée.** Le désordre et le manque de lumière favorisent les accidents.
- **Ne pas utiliser d'outils électriques dans des atmosphères explosives, par exemple en présence de liquides, gaz ou poussières inflammables.** Les outils électriques produisent des étincelles risquant d'enflammer les poussières ou vapeurs.
- **S'assurer que les enfants et les curieux se trouvent à une bonne distance au moment d'utiliser un outil électrique.** Les distractions peuvent causer une perte de contrôle.

### SÉCURITÉ ÉLECTRIQUE

- **Les fiches des outils électriques doivent correspondre à la prise secteur utilisée. Ne jamais modifier la fiche, de quelque façon que ce soit. Ne jamais utiliser d'adaptateurs de fiche avec des outils mis à la terre.** Les fiches et prises non modifiées réduisent le risque de choc électrique.
- **Éviter tout contact avec des surfaces mises à la terre comme des tuyaux, des radiateurs, des cuisinières et des réfrigérateurs.** Le risque de choc électrique est accru lorsque le corps est mis à la terre.
- **Ne pas exposer les outils électriques à l'eau ou l'humidité.** La pénétration d'eau dans ces outils accroît le risque de choc électrique.
- **Ne pas maltraiter le cordon d'alimentation. Ne jamais utiliser le cordon d'alimentation pour transporter l'outil électrique et ne jamais débrancher ce dernier en tirant sur le cordon. Garder le cordon à l'écart de la chaleur, de l'huile, des objets tranchants et des pièces en mouvement.** Un cordon endommagé ou emmêlé accroît le risque de choc électrique.
- **Pour les travaux à l'extérieur, utiliser un cordon spécialement conçu à cet effet.** Utiliser un cordon conçu pour l'usage extérieur réduit les risques de choc électrique.
- **Si l'utilisation d'un outil électrique est inévitable dans un endroit humide, utiliser une source d'alimentation munie d'un disjoncteur de fuite de terre.** L'utilisation d'un disjoncteur de fuite de terre réduit le risque de choc électrique.

## SÉCURITÉ INDIVIDUELLE

- **Rester attentif, prêter attention au travail et faire preuve de bon sens lors de l'utilisation de tout outil électrique. Ne pas utiliser cet appareil en cas de fatigue ou sous l'influence de l'alcool, de drogues ou de médicaments.** Un moment d'inattention pendant l'utilisation d'un outil électrique peut entraîner des blessures graves.
- **Porter l'équipement de protection individuel requis. Toujours porter une protection oculaire.** Selon les conditions, porter aussi un masque anti-poussières, des bottes de sécurité antidérapantes, un casque protecteur ou une protection auditive afin de réduire les blessures.
- **Empêcher les démarrages accidentels. S'assurer que la gâchette est en position d'arrêt avant de brancher l'outil à une source de courant, d'insérer la batterie, de le ramasser ou de le transporter.** Le fait de transporter un outil électrique en gardant le doigt sur la gâchette ou de mettre sous tension un outil électrique lorsque la gâchette est en position de marche favorise les accidents.
- **Retirer les clés de réglage avant de mettre l'outil en marche.** Une clé laissée sur une pièce rotative de l'outil peut causer des blessures.
- **Ne pas travailler hors de portée. Toujours se tenir bien campé et en équilibre.** Une bonne stabilité procure un meilleur contrôle de l'outil électrique en cas d'imprévu.
- **Porter une tenue appropriée. Ne porter ni vêtements amples, ni bijoux. Garder les cheveux et les vêtements à l'écart des pièces en mouvement.** Les vêtements flottants, les bijoux ou les cheveux longs risquent d'être happés par les pièces en mouvement.
- **Si les outils sont équipés de dispositifs de dépoussiérage, s'assurer qu'ils sont connectés et correctement utilisés.** L'utilisation d'un collecteur de poussière permet de réduire les dangers liés à la poussière.
- **Ne pas laisser la familiarité avec l'outil acquise par une utilisation fréquente vous rendre suffisant et vous amener à ignorer les règles de sécurité.** Une utilisation négligée peut causer une blessure grave en une fraction de seconde.

## UTILISATION ET ENTRETIEN DE L'OUTIL ÉLECTRIQUE

- **Ne pas forcer l'outil électrique. Utiliser l'outil électrique approprié pour l'application.** Un outil électrique approprié exécutera le travail mieux et de façon moins dangereuse s'il est utilisé dans les limites prévues.
- **Ne pas utiliser l'outil électrique si le commutateur ne permet pas de le mettre en marche ou de l'arrêter.** Tout outil électrique qui ne peut pas être contrôlé par son commutateur est dangereux et doit être réparé.
- **Débrancher l'outil et/ou retirer la bloc-piles, si possible, avant d'effectuer des réglages, de changer d'accessoire ou de remettre l'outil.** Ces mesures de sécurité préventives réduisent les risques de démarrage accidentel de l'outil.
- **Entreposer l'outil électrique hors de la portée des enfants et interdire à quiconque de l'utiliser si la personne ne connaît pas bien le produit ou les instructions.** Les outils électriques sont dangereux dans les mains d'utilisateurs novices.

- **Entretien des outils électriques et les accessoires. Vérifier qu'aucune pièce mobile n'est mal alignée ou bloquée, qu'aucune pièce n'est brisée et s'assurer qu'aucun autre problème risque d'affecter le bon fonctionnement de l'outil.** En cas de dommages, faire réparer l'outil avant de l'utiliser. Plusieurs accidents sont causés par des produits mal entretenus.
- **Garder les outils bien affûtés et propres.** Des outils correctement entretenus et dont les tranchants sont bien affûtés risquent moins de se bloquer et sont plus faciles à contrôler.
- **Utiliser l'outil électrique, les accessoires, les embouts etc. conformément à ces instructions en tenant compte des conditions de travail et de la tâche à effectuer.** L'usage d'un outil électrique pour des applications pour lesquelles il n'est pas conçu peut être dangereux.
- **Garder les poignées et les surfaces de préhension sèches, propres et exemptes d'huile ou de graisse.** Des poignées et des surfaces de préhension glissantes ne permettent pas de manipuler et de contrôler l'outil en toute sécurité en cas de situation imprévue.

## UTILISATION ET ENTRETIEN DE LA BATTERIE

- **Pour recharger la bloc-piles, utiliser seulement le chargeur spécifié par le fabricant.** Un chargeur pouvant convenir à un type de bloc-piles peut entraîner un risque d'incendie lorsqu'il est utilisé avec un autre type de bloc-piles.
- **N'utiliser l'outil électrique qu'avec une batterie recommandée.** L'utilisation de tout autre bloc-piles peut créer un risque de blessures et d'incendie.
- **Lorsque la bloc-piles n'est pas utilisé, le tenir éloigné des objets en métal tels que les trombones, les pièces de monnaie, les clés, les clous, les vis ou d'autres petits objets métalliques qui pourraient connecter les bornes.** Le court-circuitage des bornes d'une pile peut entraîner des brûlures ou un incendie.
- **Éviter tout contact avec le liquide pouvant être éjecté de la pile en cas de manutention abusive.** En cas de contact accidentel, rincer immédiatement les parties atteintes avec de l'eau. Si le liquide entre en contact avec les yeux, consulter un médecin. Le liquide éjecté des piles peut causer des irritations ou des brûlures.
- **N'utiliser aucun bloc-piles ni aucun outil ayant été endommagé ou modifié.** Des piles endommagées ou modifiées peuvent adopter un comportement imprévisible pouvant causer un incendie, une explosion ou le risque de blessures.
- **Ne pas exposer la bloc-piles ou l'outil aux flammes ou à une température excessive.** Une exposition aux flammes ou à une température supérieure à 130°C (265°F) peut causer une explosion.
- **Suivre toutes les instructions de charge et ne pas charger la bloc-piles ou l'outil en dehors de la plage de température spécifiée.** Une charge incorrecte ou à des températures en dehors de la plage spécifiée peut endommager la pile et augmenter le risque d'incendie.

## ENTRETIEN

- **Les réparations de l'outil électrique doivent être confiées à un technicien qualifié, utilisant exclusivement des pièces identiques à celles d'origine.** Le maintien de la sûreté de l'outil électrique sera ainsi assuré.



• Ne jamais effectuer la réparation d'un bloc-piles endommagé. La réparation du bloc-piles doit être réalisée par le fabricant ou les fournisseurs de service agréés uniquement.

## RÈGLES DE SÉCURITÉ SPÉCIFIQUES POUR COUPE-BORDURES

• Veuillez lire ce manuel, ainsi que tous les manuels et les étiquettes de cet outil et son bloc moteur avant de les utiliser. Ne pas suivre les avertissements et les instructions pourra entraîner des blessures graves. Utiliser exclusivement l'outil selon les instructions de ce manuel. Utiliser uniquement les accessoires recommandés par MILWAUKEE.

• Toujours porter une protection oculaire et une protection auditive, ainsi que des vêtements et des chaussures de sécurité selon l'opération en question. Porter des pantalons longs, des manches longues, des chaussures de travail et des gants épais. Attacher ou couvrir les cheveux longs. Ne porter ni vêtements amples, ni bijoux. Ne pas porter de shorts, sandales et ne pas travailler pieds nus.

• Ne laisser personne s'approcher à moins de 15 m (50'). Les objets pourront être lancés ou projetés dans toutes les directions.

• Cet outil a été conçu pour couper autour des surfaces dures, tels que les trottoirs, les entrées de garages, les massifs de fleurs, les bords de trottoirs et des espaces similaires. Ne pas utiliser l'outil sur ou à proximité de surfaces gravillonnées.

• Connaissance de votre environnement. Faire attention aux trottoirs irréguliers, aux trous dans le terrain ainsi qu'aux autres situations présentant un danger. Toujours pousser lentement l'outil sur les terrains irréguliers.

• Inspecter l'espace avant d'utiliser l'outil. Retirer tous les débris et les objets durs tels que les pierres, le verre, le câblage, etc. qui pourraient être lancés, projetés ou bien causer des lésions ou dommages durant l'opération.

**AVERTISSEMENT** Ne pas opérer autour de lignes électriques. L'unité n'a pas été conçue pour doter de la protection contre les chocs électriques au cas de contact avec les lignes électriques. Veuillez consulter les réglementations à propos des distances sécuritaires par rapport à des lignes électriques ; veuillez s'assurer que la position d'opération soit en toute sécurité et sûreté avant son utilisation.

• Ne pas utiliser une extension avec cet accessoire d'outil. La longueur supplémentaire fera qu'il soit difficile de contrôler l'accessoire et provoquera des blessures.

• Ne pas utiliser cet outil auprès d'éléments qui brûlent ou qui fument comme des cigarettes, des allumettes ou des cendres chaudes.

• Afin de minimiser le risque de risque pour la santé provoqués par les vapeurs ou la poussière, ne pas utiliser cet outil auprès de matériaux toxiques, cancérigènes ou dangereux pour l'outil, tels que l'amiante, l'arsénique, le baryum, le plomb, les pesticides et d'autres matériaux nuisibles à la santé.

• Prendre du soin lorsque vous utilisez l'outil auprès de plantes décoratives ainsi que d'autres obstacles. Les accessoires couperont / endommageront beaucoup de matériaux.

• Ne pas utiliser de molettes de coupe à balais ni d'accessoire différent à ceux recommandés par MILWAUKEE. Des lésions graves ou dommages dans les produits pourront survenir.

• Ne pas opérer l'outil sans avoir premièrement installée le carter. Il faut bien installer le carter durant l'utilisation. Opérer l'outil sans son carter provoquera de blessures graves.

• Ne pas utiliser l'outil avec une tête endommagée. Les pièces cassées ou fissurées pourront être projetées.

• Ne pas opérer l'outil sans avoir premièrement installée la poignée avant. Il faut bien installer la poignée avant l'utilisation. Utiliser l'outil à deux mains lorsque vous opérez l'outil, ceci selon les consignes de l'accessoire. Maintenir une prise ferme. L'utilisation à une main pourra causer la perte de contrôle et des lésions graves pourront survenir.

• Toujours tenir le visage, les mains et les pieds loin des pièces en mouvement. Les pièces en mouvement peuvent provoquer des lacérations graves.

• Lorsque la lame est en rotation, toujours tenir outil avec la main droite sur la poignée arrière et la main gauche sur la poignée avant.

• Se tenir fortement lorsqu'un mouvement imprévu se produit à l'occasion du contact avec un objet dur. La perte de contrôle peut entraîner des blessures graves.

• Les objets lancés pourront être projetés et rebondir sur des surfaces dures, tels que les murs, les arbres et les pierres, en provoquant des lésions. Faire l'élagage à main dans des espaces clos.

• Emporter l'outil par la poignée avant afin d'éviter les démarrages accidentels. La manipulation adéquate de l'outil évitera la lésion.

• Toujours éteindre l'outil lors de sa transportation d'un espace à un autre. Ne pas amener l'outil avec le doigt mis sur la gâchette. Le démarrage accidentel peut causer des blessures graves.

• Maintenir l'outil immobile jusqu'à ce que la lame parvienne à l'arrêt complet. Une lame continuant pourra causer des blessures.

• Tenir toutes les parties du corps à l'arrière et à gauche de la lame. Ne pas se tenir debout de la ligne ni à droite de la lame.

• Inspecter l'outil pour savoir s'il y a des dommages au cas qu'il entre en contact avec un objet dur. En cas de dommages, faire réparer l'outil avant l'utilisation.

• Retirer le bloc-piles et suivre toutes les instructions lorsque vous retirez les obstructions et débris coincés.

• Ne pas l'immerger dans l'eau ni vaporiser avec un tuyau. Ne pas nettoyer à l'eau sous pression. La pénétration d'eau dans ces outils accroît le risque de choc électrique. Entreposer l'outil à l'intérieur.

• Ne pas entreposer l'outil électrique auprès ni sur de substances chimiques ni de fertilisants.

• Toujours éteindre l'outil et après, retirer le bloc-piles avant de changer ou enlever les accessoires.

• La lame est tranchante. Remplacer les lames usées. Toujours porter des gants protecteurs lors de la manipulation de la lame.

• Ne tenir l'outil que par les surfaces de prise isolées parce que l'outil pourra entrer en contact avec le câblage caché. Le contact d'une lame avec un fil sous tension « électrifie » les pièces métalliques exposées de l'outil et peut électrocuter l'utilisateur.

• **Toujours faire preuve de bons sens et procéder avec prudence lors de l'utilisation d'outils.** C'est impossible de prévoir toutes les situations dont le résultat est dangereux. Ne pas utiliser cet outil si vous ne comprenez pas ces instructions d'opération ou si vous pensez que le travail dépasse votre capacité ; veuillez contacter Milwaukee Tool ou un professionnel formé pour recevoir plus d'information ou formation.

• **Maintenir en l'état les étiquettes et les plaques d'identification.** Des informations importantes y figurent. Si elles sont illisibles ou manquantes, contacter un centre de services et d'entretien MILWAUKEE pour un remplacement gratuit.

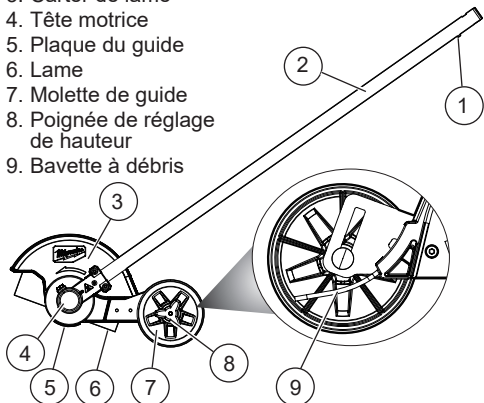
• **AVERTISSEMENT** Certaines poussières générées par les activités de ponçage, de coupe, de rectification, de perçage et d'autres activités de construction contiennent des substances considérées être la cause de malformations congénitales et de troubles de l'appareil reproducteur. Parmi ces substances figurent :

- le plomb contenu dans les peintures à base de plomb ;
  - la silice cristalline des briques, du ciment et d'autres matériaux de maçonnerie, ainsi que
  - l'arsenic et le chrome des sciages traités chimiquement.
- Les risques encourus par l'opérateur envers ces expositions varient en fonction de la fréquence de ce type de travail. Pour réduire l'exposition à ces substances chimiques, l'opérateur doit : travailler dans une zone bien ventilée et porter l'équipement de sécurité approprié, tel qu'un masque anti-poussière spécialement conçu pour filtrer les particules microscopiques.

## LIRE ET CONSERVER TOUTES LES INSTRUCTIONS POUR UTILISATION FUTURE

### DESCRIPTION FONCTIONNELLE

1. Cran d'arrêt
2. Élagueuse
3. Carter de lame
4. Tête motrice
5. Plaque du guide
6. Lame
7. Molette de guide
8. Poignée de réglage de hauteur
9. Bavette à débris



### SPÉCIFICATIONS

No de Cat.....	49-16-2718
Bloc moteur .....	2825-20
RPM.....	0-3 900
Arbre de la lame .....	25 mm (1")
Taille de lame.....	203 mm (8")
Lame de rechange.....	No de Cat. 42-26-2718

### PICTOGRAPHIE



Volts



Courant direct

$n_0$  XXXX min<sup>-1</sup>

Tours-minute à vide (RPM)



Symbole d'alerte de sécurité.



Lire le manuel d'utilisation.



Toujours porter une protection oculaire et l'équipement de protection individuelle.



Porter des chaussures de sécurité antidérapantes.



Porter des gants de protection.



**⚠ DANGER** Garder les mains et les parties du corps à l'écart des lames.



Ne laisser personne s'approcher à moins de 15 m (50').



**⚠ DANGER** Évitez que la lame entre en contact durant l'utilisation.



**⚠ PRÉCAUTION** La surface est chaude. Éviter tout contact.



UL Listing Mark pour Canada et États-unis

## MONTAGE DE L'OUTIL

**AVERTISSEMENT** Avant de son utilisation, lire le manuel et les étiquettes du bloc moteur. Des consignes importantes à propos de l'utilisation et l'assemblage sont fournies dans le manuel du bloc moteur. Brancher l'accessoire sur le bloc moteur selon les consignes qui se trouvent dans le manuel du bloc moteur.

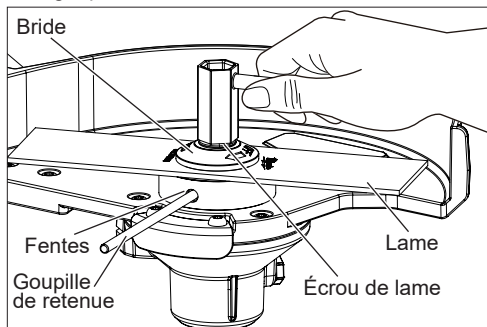
Ne pas opérer l'outil sans avoir premièrement installée le carter. Il faut bien installer le carter durant l'utilisation. Opérer l'outil sans son carter provoquera de blessures graves.

Toujours retirer le bloc-piles avant de changer ou enlever les accessoires.

### Remplacement de la lame

Toujours inspecter les lames avant de les utiliser et les remplacer pour vérifier si elles sont usées ou endommagées.

1. Retirer le bloc-piles.
2. Tourner la tête motrice vers un côté et retourner la lame jusqu'à ce que les fentes s'alignent. Glisser la goupille de retenue à travers des fentes.

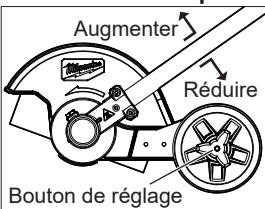


3. Utiliser la clé à douille de 13 mm incluse pour desserrer l'écrou de la lame (vers la droite).
4. Enlever l'écrou de lame, la bride et la lame.
5. Retirer tous les débris de la bride, l'écrou et la broche.
6. Mettre la nouvelle lame à plat sur la broche.
7. Mettre la bride et l'écrou dans la broche. La serrer fermement à l'aide de la clé à douille de 13 mm (à gauche).

**REMARQUE** : S'assurer que la lame n'est pas endommagée, est correctement installée et solidement assujettie avant chaque utilisation

### Réglage de la profondeur de coupe

1. Retirer le bloc-piles.
2. Desserrer le bouton de réglage de hauteur et glisser la roue vers le haut pour augmenter la profondeur de coupe, ou vers le bas pour la réduire.
3. Serrer fermement le bouton de réglage de hauteur, en ajustant la poignée solidement.



**REMARQUE** : Commencer le travail à une profondeur superficielle de lame (13 mm à 25 mm [1/2" - 1"]) et augmenter la profondeur en (13 mm [1/2"]) jusqu'à ce qu'on achève la coupe désirée.

## Sélection de la vitesse

Lors de l'utilisation de cet accessoire, la seule vitesse recommandée est HAUTE VITESSE. Utiliser le bouton de commande de vitesse pour sélectionner le mode de HAUTE VITESSE.



## MANIEMENT

**AVERTISSEMENT** Afin de minimiser le risque de blessures, toujours porter la protection oculaire appropriée certifiée conforme à la norme ANSI Z87.1.

Toujours retirer le bloc-piles avant de changer ou enlever les accessoires.

Ne pas opérer l'outil sans avoir premièrement installée la poignée avant. Il faut bien installer la poignée avant pour l'utilisation. L'utilisation à une main pourra causer la perte de contrôle et des lésions graves pourront survenir.

Ne pas opérer l'outil sans avoir premièrement installée le carter. Il faut bien installer le carter durant l'utilisation. Opérer l'outil sans son carter provoquera de blessures graves.

Utiliser les deux mains lors de l'opération de l'outil. Maintenir une prise ferme. L'utilisation à une main pourra causer la perte de contrôle et des lésions graves pourront survenir.

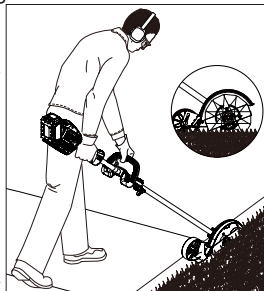
Inspecter la surface avant de l'utiliser. Retirer tous les débris et les objets durs tels que les pierres, le verre, le câblage, etc. qui pourraient être lancés, projetés ou bien causer des lésions ou dommages durant l'opération.

Tenir toutes les parties du corps à l'arrière et à gauche de la lame. Ne pas se tenir debout de la ligne ni à droite de la lame.

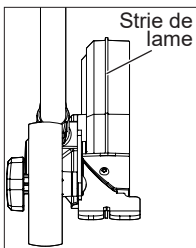
### Coupeure de bordures

Cet outil a été conçu pour couper autour des surfaces dures, tels que les trottoirs, les entrées de garages, les massifs de fleurs, les bords de trottoirs et des espaces similaires. Ne pas utiliser l'outil sur ou à proximité de surfaces gravillonnées.

1. Tenir fermement l'outil avec la main droite sur la poignée arrière et la main gauche sur la poignée avant. Toujours rester à l'arrière du carter. L'outil doit être tenu dans une position confortable, la poignée arrière se trouvant à peu près à hauteur de la taille.
2. Pour **démarrer** l'outil, tirer sur le levier de verrouillage et appuyer sur la gâchette.
3. Pour **changer** la vitesse, augmenter ou réduire la pression exercée sur la gâchette. Plus la gâchette est enfoncée, plus la vitesse est grande, jusqu'à la vitesse maximale réglée sur le bouton de commande de vitesse.



4. Glisser l'outil le long de la surface, en évitant tout contact avec des objets durs.
5. Utiliser la strie de la lame pour l'aligner avec le bord de la surface à finir.
6. Appuyer sur l'outil à un rythme soutenu. Si la lame commence à embourber, ralentir le rythme de coupe. Ne pas forcer la lame dans la terre.



**REMARQUE :** Éviter couper les bordes de la pelouse/la terre humide. Le garde-lame pourra se coincer et causer de résultats imprévus. Si le protège-lame s'encrasse, arrêter l'outil, retirer le bloc-piles et retirer les débris du protège-lame.

## ENTRETIEN

**AVERTISSEMENT** Pour minimiser les risques de blessures corporelles, débranchez le chargeur et retirez la batterie du chargeur ou de l'outil avant d'y effectuer des travaux d'entretien. Ne démontez jamais l'outil, la batterie et le chargeur. Pour toute réparation, consultez un centre de service MILWAUKEE agréé.

### Entretien de l'outil

Gardez l'outil en bon état en adoptant un programme d'entretien ponctuel. Inspectez votre outil pour des questions telles que le bruit excessif, de grippage des pièces mobiles, de pièces cassées ou toute autre condition qui peut affecter le fonctionnement de l'outil. Retournez votre outil à un centre de service MILWAUKEE agréé pour obtenir le service. Après une période pouvant aller de 6 mois à un an, selon l'usage, retournez votre outil à un centre de service MILWAUKEE agréé pour d'inspection.

Si l'outil ne démarre pas ou ne fonctionne pas à pleine puissance alors qu'il est branché sur une batterie complètement chargée, nettoyez les points de contact entre la batterie et l'outil. Si l'outil ne fonctionne toujours pas correctement, renvoyez l'outil, le chargeur et la batterie à un centre de service MILWAUKEE agréé.

**AVERTISSEMENT** Pour minimiser les risques de blessures ou de dommages à l'outil, n'immergez jamais l'outil, la batterie ou le chargeur et ne laissez pas de liquide s'y infiltrer.

### Nettoyage

Débarassez les événements des débris et de la poussière. Gardez les poignées propres, à sec et exemptes d'huile ou de graisse. Le nettoyage doit se faire avec un linge humide et un savon doux. Certains nettoyeurs tels l'essence, la térébenthine, les diluants à laque ou à peinture, les solvants chlorés, l'ammoniaque et les détergents d'usage domestique qui en contiennent pourraient détériorer le plastique et l'isolation des pièces. Ne laissez jamais de solvants inflammables ou combustibles auprès des outils.

### Réparations

Pour les réparations, retournez outil, batterie et chargeur en entier au centre-service le plus près.

## ACCESSOIRES

**AVERTISSEMENT** L'utilisation d'autres accessoires que ceux qui sont spécifiquement recommandés pour cet outil peut comporter des risques.

Pour une liste complète des accessoires, visiter le site internet [www.milwaukeeetool.com](http://www.milwaukeeetool.com) ou contactez un distributeur.

## SERVICE - CANADA

**Milwaukee Tool (Canada) Ltd**

**1.800.268.4015**

Monday-Friday, 7:00 AM - 4:30 PM CST

[www.milwaukeeetool.ca](http://www.milwaukeeetool.ca)

## GARANTIE LIMITÉE - AUX ÉTATS-UNIS ET AU CANADA

Chaque équipement électrique d'extérieur\* de MILWAUKEE (voir exceptions ci-dessous) est garanti à l'acheteur d'origine uniquement pour être exempt de vices de matériaux et de fabrication. Sous réserve de certaines exceptions, MILWAUKEE réparera ou remplacera toute pièce d'un équipement électrique d'extérieur qui, après examen par MILWAUKEE, s'est avéré être affecté d'un vice de matériau ou de fabrication et ce pendant une période de trois (3) ans à compter de la date d'achat, sauf indication contraire. Retourner l'équipement électrique d'extérieur, à un centre de réparations en usine MILWAUKEE ou à un poste d'entretien agréé MILWAUKEE, en prior préparé et assuré. Une copie de la preuve d'achat doit être présentée avec le produit retourné. Cette garantie ne couvre pas les dommages que MILWAUKEE détermine être causés par des réparations ou des tentatives de réparation par quiconque autre que le personnel agréé par MILWAUKEE, ou par des utilisations incorrectes, des altérations, des utilisations abusives, une usure normale, une carence d'entretien ou des accidents.

Usure normale : Plusieurs équipements électriques d'extérieur nécessitent un remplacement et un entretien périodique de leurs pièces pour un meilleur rendement. Cette garantie ne couvre pas la réparation des pièces due à l'utilisation normale de l'outil, y compris, mais sans s'y limiter, la tête de coupe, la bobine, les fils de coupe, les lames, les fils, les chaînes, les tubes de soufflage, les joints toriques, et les joints.

\*Cette garantie ne s'applique pas aux blocs-piles sans fil ou au produit résiné. Il existe des garanties séparées distinctes pour ces produits. MILWAUKEE n'assume aucun frais de transport ou de main d'œuvre liés à l'inspection et à la vérification des équipements électriques d'extérieur qui, de l'avis de MILWAUKEE, ne donnent pas droit à une réclamation au titre de la garantie. Pour être admissible, une réclamation au titre de la garantie doit être justifiée par un vice du matériau ou de fabrication découvert par MILWAUKEE.

L'ACCEPTATION DES RECOURS EXCLUSIFS DE RÉPARATION ET DE REMPLACEMENT DÉCRITS DANS LES PRÉSENTS EST UNE CONDITION DU CONTRAT D'ACHAT DE TOUT PRODUIT MILWAUKEE. SI VOUS N'ACCEPTÉZ PAS CETTE CONDITION, VOUS NE DEVEZ PAS ACHETER LE PRODUIT. EN AUCUN CAS, MILWAUKEE NE SAURAIT ÊTRE RESPONSABLE DE TOUT DOMMAGE ACCESSOIRE, SPECIAL OU INDIRECT, DE DOMMAGES-INTÉRÊTS PUNITIFS OU DE TOUTE DÉPENSE, D'HONORAIRES D'AVOCATS, DE FRAIS, DE PERTE OU DE DÉLAIS ACCESSOIRES À TOUT DOMMAGE, DÉFAILLANCE OU DÉFAUT DE TOUT PRODUIT, Y COMPRIS NOTAMMENT LES PERTES DE PROFIT. CERTAINS ÉTATS ET PROVINCES NE PERMETTANT L'EXCLUSION OU LA LIMITATION DES DOMMAGES DIRECTS OU INDIRECTS, LES RESTRICTIONS CI-DESSUS PEUVENT NE PAS ÊTRE APPLICABLES. CETTE GARANTIE EST EXCLUSIVE ET REMPLACE TOUTE AUTRE GARANTIE EXPRESSE, QU'ELLE SOIT VERBALE OU ÉCRITE, DANS LA MESURE PERMISE PAR LA LOI. MILWAUKEE RENONCE À TOUTE GARANTIE IMPLICITE, Y COMPRIS, MAIS SANS S'Y LIMITER, TOUTE GARANTIE IMPLICITE DE QUALITÉ MARCHANDE OU D'ADAPTATION À UNE UTILISATION OU À UNE FIN PARTICULIÈRE. DANS LA MESURE OU UNE TELLE STIPULATION D'EXONÉRATION N'EST PAS PERMISE PAR LA LOI, LA DURÉE DE CES GARANTIES IMPLICITES EST LIMITÉE À LA PÉRIODE APPLICABLE DE LA GARANTIE EXPRESSE, TEL QUE CELA EST DÉCRIT PRÉCÉDEMMENT. CERTAINS ÉTATS ET PROVINCES NE PERMETTANT PAS DE LIMITATION DE DURÉE DES GARANTIES IMPLICITES, LES RESTRICTIONS CI-DESSUS PEUVENT DONC NE PAS VOUS ÊTRE APPLICABLES. LA PRÉSENTE VOUS CONFÈRE DES DROITS LÉGAUX PARTICULIERS; VOUS BÉNÉFICIEZ ÉGALEMENT D'AUTRES DROITS QUI VARIENT D'UN ÉTAT À UN AUTRE.

Cette garantie s'applique aux produits vendus aux États-Unis et au Canada uniquement.

Veillez consulter la rubrique Centre SAV Milwaukee, dans la section Pièces et Services du site Web de MILWAUKEE, à l'adresse [www.milwaukeeool.com](http://www.milwaukeeool.com), ou composer le 1-800-SAWDUST (1-800-729-3878) afin de trouver le centre de service de votre région le plus proche pour l'entretien, sous garantie ou non, de votre outil électrique Milwaukee.

## **GARANTIE LIMITÉE – MEXIQUE, AMÉRIQUE CENTRALE ET CARAIBES**

TECHTRONIC INDUSTRIES' garantit le produit pendant 3 ans à partir de la date d'achat d'origine.

Le présent bon de garantie couvre tous les vices de matériau et de fabrication que peut afficher ce produit.

Pour assurer la validité de la présente garantie, veuillez présenter ce bon de garantie, estampillé du sceau du distributeur ou du magasin où le produit a été acheté, au centre de réparations agréé. Si le bon de garantie n'a pas été estampillé, veuillez fournir la preuve d'achat d'origine au centre de réparations agréé.

Pour un entretien des pièces, des accessoires ou des composants, composer sans frais le 1-800-030-7777 afin d'obtenir les coordonnées du centre de réparations agréé le plus près

### **Procédure pour assurer la validité de la garantie**

Présenter le produit au centre de réparations agréé, accompagné du bon de garantie estampillé du sceau du distributeur ou du magasin où le produit a été acheté. Toute pièce défectueuse ou tout composant défectueux sera remplacé(e) sans frais. Milwaukee assume tous les frais de transport liés à ce processus de garantie.

### **Exceptions**

Cette garantie ne s'applique pas dans les situations suivantes :

- Si le produit a été utilisé pour une fin autre que celle indiquée dans le guide de l'utilisateur final ou le manuel d'instructions.
- Si les conditions d'utilisations ne sont pas habituelles.
- Si le produit a été modifié ou réparé par une personne non autorisée par TECHTRONIC INDUSTRIES.

**Remarque :** Si le cordon électrique est endommagé, il doit être remplacé par un centre de réparations agréé pour éviter les risques d'électrocution.

### **CENTRE DE RÉPARATIONS ET DE SERVICE**

Composer le 01 (800) 030-7777

### **IMPORTÉ ET COMMERCIALISÉ PAR**

TECHTRONIC INDUSTRIES, MEXIQUE, SA DE CV  
Av President Masarik #29 piso 7, Col. Polanco V Sección  
CP 11560, Deleg. Miguel Hidalgo, CDMX

Modèle : \_\_\_\_\_

Date d'achat : \_\_\_\_\_

Sceau du distributeur ou du magasin : \_\_\_\_\_

## **ADVERTENCIAS DE SEGURIDAD GENERALES PARA LA HERRAMIENTA ELÉCTRICA**

**⚠️ ADVERTENCIA** Lea todas las advertencias de seguridad, instrucciones, ilustraciones y especificaciones con esta herramienta eléctrica. Si no sigue todas las advertencias e instrucciones, se pueden provocar una descarga eléctrica, un incendio o lesiones graves. **Guarde todas las advertencias e instrucciones para consultarlas en el futuro.** El término "herramienta eléctrica" en todas las advertencias incluidas más abajo se refiere a su herramienta operada por conexión (cable) a la red eléctrica o por medio de una batería (inalámbrica).

## **SEGURIDAD EN EL ÁREA DE TRABAJO**

- **Mantenga el área de trabajo limpia y bien iluminada.** Las áreas desordenadas u oscuras son propicias para los accidentes.
- **No utilice herramientas eléctricas en atmósferas explosivas, tales como en presencia de líquidos, gases o polvos inflamables.** Las herramientas eléctricas generan chispas que pueden encender el polvo o los vapores.
- **Mantenga a los niños y a los espectadores alejados mientras utiliza una herramienta eléctrica.** Las distracciones pueden ocasionar la pérdida de control.

## **SEGURIDAD ELÉCTRICA**

- **Los enchufes de la herramienta eléctrica deben coincidir con el tomacorriente. Nunca modifique el enchufe de ninguna manera. No utilice adaptadores de enchufe con herramientas eléctricas aterrizadas.** Los enchufes y tomacorrientes correspondientes sin modificar reducirán el riesgo de descarga eléctrica.
- **Evite el contacto corporal con superficies aterrizadas, tales como tuberías, radiadores, estufas y refrigeradores.** Existe un riesgo mayor de descarga eléctrica si su cuerpo está aterrizado.
- **No exponga las herramientas eléctricas a la lluvia ni a condiciones húmedas.** Si se introduce agua en una herramienta eléctrica, aumentará el riesgo de descarga eléctrica.
- **No maltrate el cable. Nunca utilice el cable para cargar, jalar o desconectar la herramienta eléctrica.** Mantenga el cable alejado del calor, el aceite, los bordes afilados o las partes en movimiento. Los cables dañados o enredados aumentan el riesgo de descarga eléctrica.
- **Al utilizar una herramienta eléctrica en exteriores, utilice una extensión adecuada para uso en exteriores.** El uso de una extensión adecuada para el uso en exteriores disminuye el riesgo de descarga eléctrica.
- **Si es inevitable utilizar una herramienta eléctrica en un lugar húmedo, utilice un alimentador de corriente protegido con un interruptor de circuito por falla de conexión a tierra (GFCI).** El uso de un GFCI reduce el riesgo de descarga eléctrica.

## SEGURIDAD PERSONAL

- **Manténgase alerta, atento a lo que está haciendo y utilice el sentido común al utilizar una herramienta eléctrica.** No utilice una herramienta eléctrica mientras está cansado o bajo la influencia de drogas, alcohol o medicamentos. Un momento de distracción al utilizar herramientas eléctricas puede ocasionar lesiones personales graves.
- **Utilice equipo de protección personal. Siempre use protección para los ojos.** El equipo de protección, tal como una máscara contra polvo, calzado antideslizante, casco o protección auditiva, utilizado para condiciones adecuadas disminuirá las lesiones personales.
- **Evite el arranque accidental. Asegúrese de que el interruptor esté en la posición de apagado antes de conectarlo a una fuente de poder y/o batería, levantar o trasladar la herramienta.** Trasladar herramientas con el dedo en el interruptor o energizar herramientas eléctricas que tienen el interruptor encendido propicia accidentes.
- **Retire cualquier llave de ajuste antes de entender la herramienta.** Una llave que se deje insertada en una parte giratoria de la herramienta eléctrica puede ocasionar lesiones personales.
- **No estire el cuerpo demasiado. Mantenga un buen contacto entre los pies y el suelo y mantenga el equilibrio en todo momento.** Esto permite un mejor control de la herramienta eléctrica en situaciones inesperadas.
- **Vístase adecuadamente. No utilice ropa o joyería holgada. Mantenga el cabello y la ropa alejados de las partes móviles.** La ropa holgada, las alhajas o el cabello largo pueden quedarse atrapados en las partes móviles.
- **Si se proporcionan dispositivos para la conexión de instalaciones de extracción y recolección de polvo, cerciórese de que estén conectados y se utilicen correctamente.** El uso de dispositivos recolectores de polvo puede disminuir los riesgos relacionados con el polvo.
- **No permita que la familiaridad por el uso frecuente de las herramientas lo hagan sentirse seguro e ignorar los principios de seguridad de las herramientas.** Un descuido puede provocar lesiones graves en una fracción de segundo.

## USO Y CUIDADO DE LAS HERRAMIENTAS ELÉCTRICAS

- **No fuerce la herramienta eléctrica. Utilice la herramienta eléctrica correcta para su aplicación.** La herramienta eléctrica correcta realizará el trabajo mejor y con mayor seguridad a la velocidad para la que fue diseñada.
- **No utilice la herramienta eléctrica si el interruptor no la enciende y la apaga.** Cualquier herramienta eléctrica que no pueda controlarse con el interruptor es peligrosa y debe repararse.
- **Desconecte el enchufe de la fuente de energía y/o quite la batería de la herramienta eléctrica, si es posible, antes de realizar cualquier ajuste, cambiar accesorios o almacenar las herramientas eléctricas.** Tales medidas preventivas de seguridad disminuyen el riesgo de que la herramienta eléctrica se encienda accidentalmente.

- **Almacene las herramientas eléctricas que no se estén utilizando fuera del alcance de los niños y no permita que personas que no estén familiarizadas con la herramienta eléctrica o con estas instrucciones la utilicen.** Las herramientas eléctricas son peligrosas en manos de usuarios sin capacitación.
- **Dé mantenimiento a las herramientas eléctricas y accesorios. Verifique que no haya desalinación, amarre de partes móviles, partes rotas o alguna otra condición que pueda afectar el funcionamiento de la herramienta eléctrica. Si se daña, asegúrese de que la herramienta eléctrica sea reparada antes de que se utilice.** Muchos accidentes son ocasionados por herramientas eléctricas con mantenimiento deficiente.
- **Mantenga las herramientas de corte afiladas y limpias.** Las herramientas de corte correctamente mantenidas con bordes de corte afilados son menos propensas a atorarse y son más fáciles de controlar.
- **Utilice la herramienta eléctrica, los accesorios y las puntas, etc. de acuerdo con estas instrucciones, tomando en cuenta las condiciones de trabajo y el trabajo a realizar.** El uso de la herramienta eléctrica para operaciones diferentes a las previstas podría generar una situación peligrosa.
- **Mantenga las empuñaduras y ñas superficies de sujeción secas, limpias y libres de aceite y grasa.** Las empuñaduras y superficies de sujeción resbalosas no permiten el manejo y control seguros de la herramienta en situaciones inesperadas.

## USO Y CUIDADO DE LAS HERRAMIENTAS CON BATERÍA

- **Recargue únicamente con el cargador especificado por el fabricante.** Un cargador que es adecuado para un tipo de batería puede crear un riesgo de incendio si se utiliza con otra batería.
- **Utilice las herramientas eléctricas únicamente con baterías específicamente diseñadas.** El uso de cualquier otra batería puede producir un riesgo de lesiones e incendio.
- **Cuando la batería no esté en uso, manténgala alejada de otros objetos metálicos como sujetapapeles, monedas, llaves, clavos, tornillos u otros objetos metálicos pequeños que puedan formar una conexión de una terminal a otra.** Crear un corto entre las terminales de la batería puede ocasionar quemaduras o un incendio.
- **Bajo condiciones de maltrato, el líquido puede ser expulsado de la batería, evite el contacto. En caso de contacto accidental, lave con agua. Si el líquido entra en contacto con los ojos, busque además ayuda médica.** El líquido expulsado de la batería puede causar irritación o quemaduras.
- **No use una batería o herramienta que se haya dañado o modificado.** Las baterías dañadas o modificadas pueden mostrar un comportamiento impredecible, causando incendios, explosión o riesgo de lesión.
- **No exponga una batería o herramienta al fuego o a temperatura excesiva.** La exposición a fuego o temperatura a más de 130° C (265° F) puede causar explosiones.
- **Siga todas las instrucciones de carga y no cargue la batería o la herramienta fuera del rango de temperatura especificado en las instrucciones.** La carga incorrecta o a temperaturas fuera del rango especificado puede dañar la batería y aumentar el riesgo de incendio.

## MANTENIMIENTO

- Lleve su herramienta eléctrica a servicio con un técnico calificado que use únicamente piezas de reemplazo idénticas. Esto asegurará que la seguridad de la herramienta eléctrica se mantenga.
- Nunca dé servicio a baterías dañadas. Únicamente el fabricante o proveedores de servicio autorizados deben dar servicio a las baterías.

## REGLAS ESPECÍFICAS DE SEGURIDAD PARA ORILLADORA

- Antes de utilizar, lea este manual, y todos los manuales y etiquetas de esta herramienta y su cabezal eléctrico. No seguir las advertencias e instrucciones puede producir lesiones graves. Utilice la herramienta únicamente como se describe en este manual. Utilice accesorios únicamente recomendados por MILWAUKEE.
- Siempre utilice protección para los ojos, oídos, y ropa y calzado protector, de acuerdo con la operación que se realizará. Utilice pantalones largos y pesados, mangas largas, botas y guantes. Contenga el pelo largo. No utilice ropa o joyería holgada. No utilice pantalones cortos, sandalias ni opere descalzo.
- Mantenga a la gente alrededor a una distancia de por lo menos 15 m (50') durante el uso. Los objetos pueden salir volando o rebotar en todas direcciones.
- Esta herramienta es para usarse en superficies duras como aceras, accesos, lechos de flores, bordes y áreas similares. No utilice esta herramienta en o cerca de superficies con grava.
- Conozca su ambiente. Tenga precaución alrededor de aceras y terrenos irregulares, además de otras condiciones peligrosas. Siempre empuje la herramienta lentamente sobre el suelo áspero.
- Revise el área antes de utilizar la herramienta. Retire todos los desperdicios y objetos duros como rocas, vidrio, alambre, etc. que puedan volar, rebotar o causar lesiones o daños durante la operación.
- **ADVERTENCIA** No opere cerca de líneas eléctricas. La unidad no se ha diseñado para proteger del choque eléctrico en caso de contacto con las líneas eléctricas. Consulte las normas locales de distancias seguras de las líneas eléctricas y asegúrese de que la posición operativa esté segura y protegida antes de utilizarse.
- No utilice una extensión con este accesorio de la herramienta. La longitud adicional hará que sea muy difícil de controlar este accesorio y podría causar lesiones.
- No levante nada que se esté quemando o emitiendo humo, como cigarrillos, cerillos o cenizas calientes.
- Para reducir el riesgo de peligros para la salud por los vapores o el polvo, no utilice la herramienta cerca de materiales tóxicos, carcinogénicos u otros peligrosos como asbesto, arsénico, bario, berilio, plomo, pesticidas u otros materiales que pongan en peligro la salud.
- Tenga cuidado cuando la utilice alrededor de plantas decorativas y otros obstáculos. Los accesorios cortarán/dañarán muchos materiales.
- No utilice ruedas cortadoras de matorrales, accesorios o aditamentos que no sean los que recomienda MILWAUKEE. Podría sufrir lesiones graves o se puede dañar el producto.

- No opere la herramienta sin el protector en su sitio. El protector debe estar sujetado correctamente durante el uso. Operar la herramienta sin el protector causará lesiones graves.
- No utilice la herramienta con el cabezal dañado. Las piezas cuarteadas o rotas pueden salir volando.
- No opere la herramienta sin el mango delantero en su sitio. El mango delantero debe estar sujetado correctamente durante el uso. Use ambas manos al operar la bordeadora, según las instrucciones del accesorio. Sostenga con firmeza. Usar una mano puede causar la pérdida de control y resultará en lesiones graves.
- Mantenga la cara, manos y pies alejados de las partes móviles todo el tiempo. Las partes móviles pueden causar graves laceraciones.
- Siempre mantenga la mano derecha en el mango trasero y la mano izquierda en el mango delantero cuando la hoja esté girando.
- Prepárese en caso de movimiento inesperado cuando haya contacto con un objeto sólido. La pérdida de control puede resultar en lesiones graves.
- Los objetos lanzados pueden rebotar de superficies duras, tales como paredes, árboles, y rocas y causar daños. Si es posible, realice el bordeado a mano en áreas cerradas.
- Cargue la bordeadora por el mango delantero para evitar un encendido accidental. El manejo correcto de la bordeadora evitará lesiones.
- Siempre apague la herramienta entre cortes o al transportarla de una ubicación a otra. No cargue la herramienta con el dedo en el gatillo. El encendido accidental puede causar lesiones graves personales.
- Sostenga la herramienta sin moverla hasta que la hoja se detenga por completo. Una hoja en movimiento de frenado puede provocar lesiones.
- Mantenga alejadas todas las partes de su cuerpo y a la izquierda de la hoja. No se pare en línea recta o a la derecha de la hoja.
- Revise que la herramienta no tenga daños cuando haya contacto con un objeto sólido. Si se daña, asegúrese de que la herramienta sea reparada antes de utilizarse.
- Extraiga la batería y siga todas las instrucciones cuando retire obstrucciones o arregle atasques.
- No sumerja en agua o salpique con una manguera. No limpie con una limpiadora a presión. El agua que entre a la herramienta eléctrica aumentará el riesgo de choque eléctrico. Guarde la herramienta en el interior.
- No almacene la herramienta eléctrica en, o cerca de fertilizantes o químicos.
- Siempre apague la herramienta y luego retire la batería antes de cambiar o retirar los accesorios.
- La hoja puede estar filosa. Reemplace las hojas desgastadas. Siempre utilice guantes protectores cuando manipule la hoja.
- Sostenga la herramienta únicamente de las superficies de empuñadura aisladas, ya que la herramienta puede entrar en contacto con cableado oculto. Las hojas que entren en contacto con un cable que conduzca electricidad pueden hacer que las partes metálicas de la herramienta se electrifiquen y podrían ocasionar una descarga eléctrica al operador.

•**Válgase siempre de su sentido común y sea cuidadoso cuando utilice herramientas.** No es posible anticipar todas las situaciones que podrían tener un desenlace peligroso. No utilice esta herramienta si no entiende estas instrucciones de uso o si considera que el trabajo a realizar supera sus capacidades, comuníquese con Milwaukee Tool o con un profesional capacitado para recibir capacitación o información adicional.

•**Conserve las etiquetas y las placas nominales.** Contienen información importante. Si son ilegibles o no están presentes, comuníquese con un centro de servicio MILWAUKEE para obtener un reemplazo gratuito.

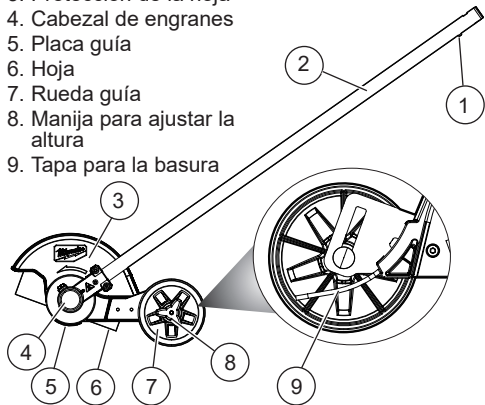
•**ADVERTENCIA** Algunos polvos generados por el lijado eléctrico, aserrado, pulido, taladrado y otras actividades de construcción contienen químicos identificados como causantes de cáncer, defectos congénitos u otros daños reproductivos. Algunos ejemplos de estos químicos son:

- plomo de pintura basada en plomo
- dióxido de silicio de los ladrillos y el cemento y otros productos de albañilería y
- arsénico y cromo de madera con tratamiento químico. Su riesgo por estas exposiciones varía, dependiendo de la frecuencia con que realice este tipo de trabajo. Para reducir su exposición a estos químicos: trabaje en un área bien ventilada y trabaje con equipo de seguridad aprobado, como mascarillas protectoras contra polvo especialmente diseñadas para filtrar partículas microscópicas.

## LEA Y GUARDE TODAS LAS INSTRUCCIONES PARA USO FUTURO

### DESCRIPCION FUNCIONAL

1. Retén
2. Tubo accesorio
3. Protección de la hoja
4. Cabezal de engranes
5. Placa guía
6. Hoja
7. Rueda guía
8. Manija para ajustar la altura
9. Tapa para la basura



### ESPECIFICACIONES

Cat. No. .... 49-16-2718  
 Cabezal eléctrico ..... 2825-20  
 RPM ..... 0-3 900  
 Eje de la hoja ..... 25 mm (1")  
 Tamaño de la hoja ..... 203 mm (8")  
 Hoja de reemplazo ..... Cat. No. 42-26-2718

### SIMBOLOGÍA



Volts



Corriente continua

n<sub>0</sub> XXXX min<sup>-1</sup> Revoluciones por minutos sin carga (RPM)



Símbolo de alerta de seguridad.



Lea el manual del operador.



Siempre utilice protectores de ojos y equipo protector personal correcto.



Utilice calzado antiderrapante de seguridad.



Utilice guantes protectores.



**PELIGRO** Mantenga las manos y las partes del cuerpo alejadas de la hoja.



Mantenga a la gente alrededor a una distancia de por lo menos 15 m (50') durante el uso.



**PELIGRO** Evite el contacto con la hoja durante el uso.



**PRECAUCIÓN** La superficie está caliente. Evite el contacto.



UL Listing Mark para Canadá y Estados Unidos



## ENSAMBLAJE

**⚠ ADVERTENCIA** Antes de utilizar, lea el manual y las etiquetas del cabezal eléctrico. Se proveen instrucciones importantes de ensamblado y uso en el manual del cabezal eléctrico. Conecte el accesorio al cabezal eléctrico según el manual del cabezal eléctrico.

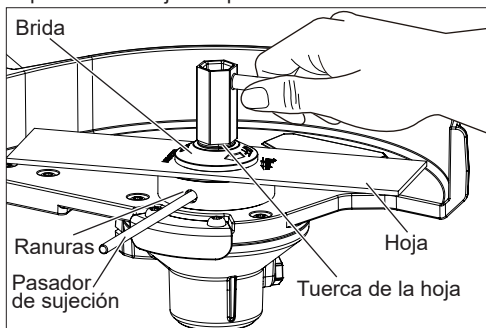
No opere la herramienta sin el protector en su sitio. El protector debe estar sujetado correctamente durante el uso. Operar la herramienta sin el protector causará lesiones graves.

Siempre retire la batería antes de cambiar o retirar los accesorios.

### Reemplace las hojas desgastadas

Siempre revise las hojas antes de utilizarse y reemplaze si están desgastadas o dañadas.

1. Extraiga la batería.
2. Voltee de lado el cabezal de engranes y gire la hoja hasta que se alineen las ranuras. Deslice el pasador de sujeción por las ranuras.

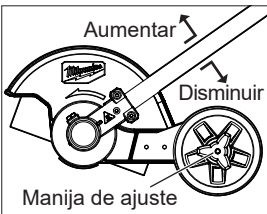


3. Utilice la llave de tubo de 13 mm provista para aflojar la tuerca de la hoja (hacia la derecha).
4. Retire la tuerca, brida y hoja de la hoja.
5. Limpie cualquier desperdicio de la brida, tuerca y husillo.
6. Coloque la nueva hoja acostada sobre el husillo.
7. Coloque la brida y la tuerca en el husillo. Apriete bien con la llave de tubo de 13 mm (hacia la izquierda).

**NOTA:** Siempre asegúrese de que la hoja no tenga daños, esté instalada correctamente y bien sujetada antes de cada uso.

### Ajuste de la profundidad de corte

1. Extraiga la batería.
2. Afloje la manija para ajustar la altura y deslice la rueda hacia arriba para aumentar la profundidad, o hacia abajo para disminuir la profundidad.
3. Apriete firmemente la manija para ajustar la altura.



**NOTA:** Inicie el trabajo con una poca profundidad en la hoja (13 mm a 25 mm (1/2" a 1")) y aumente la profundidad cada 13 mm (1/2") hasta que se logre el corte deseado.

## Selección de velocidad

Cuando utilice este accesorio, solo se recomienda VELOCIDAD ALTA. Utilice el botón de control de velocidad para VELOCIDAD ALTA.



## OPERACION

**⚠ ADVERTENCIA** Con el fin de minimizar el riesgo de lesiones, siempre utilice la protección de ojos adecuada indicada para cumplir con lo dispuesto en la norma ANSI Z87.1.

Siempre retire la batería antes de cambiar o retirar los accesorios o aditamentos.

No opere la herramienta sin el mango delantero en su sitio. El mango delantero debe estar sujetado correctamente para el uso. Usar una mano puede causar la pérdida de control y resultará en lesiones graves.

No opere la herramienta sin el protector en su sitio. El protector debe estar sujetado correctamente durante el uso. Operar la herramienta sin el protector causará lesiones graves.

Use ambas manos al operar la bordeadora. Sostenga con firmeza. Usar una mano puede causar la pérdida de control y resultará en lesiones graves.

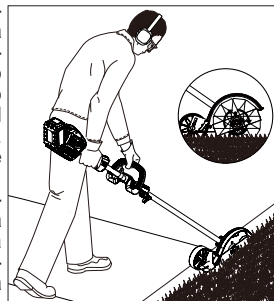
Revise el área antes de utilizar. Retire todos los desperdicios y objetos duros como rocas, vidrio, alambre, etc. que puedan volar, rebotar o causar lesiones o daños durante la operación.

Mantenga alejadas todas las partes de su cuerpo y a la izquierda de la hoja. No se pare en línea recta o a la derecha de la hoja.

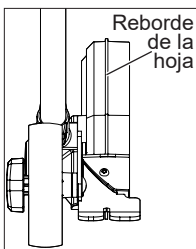
### Bordear

Utilice esta herramienta para bordear por superficies duras como aceras, accesos, lechos de flores, bordes y áreas similares. No utilice esta herramienta en o cerca de superficies con grava.

1. Sostenga la herramienta con firmeza con la mano derecha en el mango trasero y la mano izquierda en el mango delantero. Siempre colóquese detrás del protector. Sostenga la herramienta en una posición cómoda con el mango trasero a la altura de la cadera.
2. Para **encender** la herramienta, apriete la palanca de seguridad y jale el gatillo.
3. Para **cambiar** la velocidad, aumente o disminuya la presión sobre el gatillo. Mientras más se jale el gatillo, mayor será la velocidad hasta el máximo establecido por el botón de control de velocidad.



- Deslice la herramienta por la superficie, teniendo precaución de evitar el contacto con objetos sólidos.
- Utilice el reborde de la hoja para alinearla con la superficie de bordeado.
- Empuje la herramienta a un ritmo constante. Si la hoja empieza a atascarse, baje el ritmo del corte. No fuerce la hoja sobre el suelo.



**NOTA:** Evite bordear en suelo/pasto húmedo. El protección de la hoja puede taparse y provocar resultados inesperados. Si la protección de la hoja se tapa, detenga la herramienta, retire la batería y limpie la basura de la protección de la hoja.

## MANTENIMIENTO

**ADVERTENCIA** Para reducir el riesgo de una lesión, desconecte siempre la herramienta antes de darle cualquier mantenimiento. Nunca desarme la herramienta ni trate de hacer modificaciones en el sistema eléctrico de la misma. Acuda siempre a un Centro de Servicio MILWAUKEE para TODAS las reparaciones.

### Mantenimiento de las herramientas

Adopte un programa regular de mantenimiento y mantenga su herramienta en buenas condiciones. Inspeccione la herramienta para problemas como ruidos indebidos, desalineadas o agarrotadas de partes móviles, piezas rotas o cualquier otra condición que pueda afectar el funcionamiento de la herramienta. Envíe su herramienta al Centro de Servicio MILWAUKEE para reparación. Después de 6 meses a un año, dependiendo del uso dado, envíe su herramienta al Centro de Servicio MILWAUKEE más cercano para la inspección. Si la herramienta no arranca u opera a toda su potencia con una batería completamente cargada, limpie, con una goma o borrador, los contactos de la batería y de la herramienta. Si aun así la herramienta no trabaja correctamente, regrésela, con el cargador y la batería, a un centro de servicio MILWAUKEE.

**ADVERTENCIA** Para reducir el riesgo de lesiones, descarga eléctrica o daño a la herramienta, nunca la sumerja en líquidos ni permita que estos fluyan dentro de la misma.

### Limpieza

Limpie el polvo y suciedad de las ventilas. Mantenga los mangos limpios, secos y libres de aceite o grasa. Use solo jabón neutro y un trapo húmedo para limpiar, ya que algunos substancias y solventes limpiadores son dañinos a los plásticos y partes aislantes. Algunos de estos incluyen: gasolina, turpentina, thinner, lacas, thinner para pinturas, solventes para limpieza con cloro, amoníaco y detergentes caseros que tengan amonía. Nunca usa solventes inflamables o combustibles cerca de una herramienta.

### Reparaciones

Si su herramienta, batería o cargador están dañados, envíela al centro de servicio más cercano.

## ACCESORIOS

**ADVERTENCIA** Utilice sólo los accesorios específicamente recomendados. Otros accesorios puede ser peligroso. Para una lista completa de accesorios, visite nuestro sitio en Internet: [www.milwaukeeetool.com](http://www.milwaukeeetool.com) o póngase en contacto con un distribuidor.

## SOPORTE DE SERVICIO - MEXICO

### CENTRO DE ATENCION A CLIENTES

Technronic Industries Mexico, S.A. de C.V.  
 Av. Presidente Masarik 29 Piso 7  
 11560 Polanco V Seccion  
 Miguel Hidalgo, Distrito Federal, México  
 01 (800) 030-7777 o (55) 4160-3540  
 Lunes a Viernes (9am a 6pm)

O contáctanos en [www.milwaukeeetool.com.mx](http://www.milwaukeeetool.com.mx)

## GARANTÍA LIMITADA - E.U.A. Y CANADA

Cada producto de equipos eléctricos para el exterior\* de MILWAUKEE (ver excepciones a continuación) tiene garantía solamente con el comprador original contra defectos del material y calidad. Sujeto a ciertas excepciones, MILWAUKEE reparará o reemplazará cualquier parte de un producto de equipos eléctricos para el exterior que, después de examinarse, sea determinado por MILWAUKEE que tienen material o calidad defectuosos durante un periodo de tres (3) años después de la fecha de compra a menos que se estipule lo contrario. Se requiere la devolución del equipo eléctrico para el exterior a un lugar del Centro de servicio de una fábrica MILWAUKEE o Estación de servicio autorizado MILWAUKEE, con el flete pagado por anticipado y asegurado. Deberá incluirse una copia del comprobante de compra con la devolución del producto. Esta garantía no aplica a daños que MILWAUKEE determine provengan de reparaciones o intentos de reparaciones realizados por alguien que no sea personal autorizado de MILWAUKEE, por mal uso, alteraciones, abuso, deterioro normal, falta de mantenimiento o accidentes. Deterioro normal: muchos productos de equipos eléctricos para el exterior necesitan reemplazo de partes y servicio periódico para lograr su mejor rendimiento. Esta garantía no cubre la reparación cuando el uso normal ha agotado la vida de una parte incluyendo, pero sin limitarse, al cabezal de la bordeadora, el carrete del cabezal de la bordeadora, las líneas de corte, cuchillas, líneas, cadenas, tubos de soplado, cepillos, juntas tóricas y sellos.

\*Esta garantía no cubre las Baterías inalmbricas o un Producto recondicionado. Existen garantías separadas y distintas disponibles para estos productos.

MILWAUKEE no cubre los cargos de fletes o mano de obra asociados con la inspección y pruebas de los productos de equipos eléctricos para el exterior, que MILWAUKEE determine que no sean sujetos a validación de garantía. Una validación de garantía debe estar respaldada por el descubrimiento de material o calidad defectuoso por parte de MILWAUKEE. LA ACEPTACIÓN DE LAS SOLUCIONES EXCLUSIVAS DE REPARACIÓN Y REEMPLAZO DESCRITAS EN LA PRESENTE ES UNA CONDICIÓN DEL CONTRATO POR LA COMPRA DE CUALQUIER PRODUCTO MILWAUKEE. SI NO ACEPTA ESTA CONDICIÓN, NO DEBE COMPRAR EL PRODUCTO. BAJO NINGUNA CIRCUNSTANCIA MILWAUKEE SERA RESPONSABLE DE NINGUN DAÑO INCIDENTAL, ESPECIAL, CONSECUENCIAL, O PUNITIVO, O POR NINGUN COSTO, HONORARIOS DE ABOGADOS, GASTOS, PERDIDAS O RETRASOS, SUPUESTOS COMO CONSECUENCIA DE ALGUN DAÑO A, POR FALLA DE O DEFECTO DE NINGUN PRODUCTO INCLUYENDO, PERO SIN LIMITARSE A ALGUN RECLAMO POR PERDIDA DE GANANCIAS, ALGUNOS ESTADOS NO PERMITEN LA EXCLUSIÓN O LIMITACIÓN DE DAÑOS INCIDENTALES O CONSECUENCIALES, POR LO QUE LA LIMITACIÓN O EXCLUSIÓN ANTERIOR PUEDE NO APLICAR A USTED. ESTA GARANTÍA ES EXCLUSIVA Y EN LUGAR DE TODAS LAS DEMAS GARANTÍAS EXPRESAS, ESCRITAS U ORALES. HASTA DONDE LO PERMITA LA LEY, MILWAUKEE NIEGA CUALQUIER GARANTÍA IMPLÍCITA, INCLUYENDO SIN LIMITARSE A GARANTÍA IMPLÍCITA DE COMERCIABILIDAD O APTITUD PAR UN USO O PROPOSITO EN PARTICULAR; HASTA DONDE DICHO DESCARGO DE RESPONSABILIDAD NO SEA PERMITIDO POR LA LEY, DICHAS GARANTÍAS IMPLÍCITAS SE LIMITAN A LA DURACIÓN DE LA GARANTÍA EXPRESA APLICABLE COMO SE DESCRIBE ARRIBA. ALGUNOS ESTADOS NO PERMITEN LIMITACIONES SOBRE CUANTO TIEMPO DURA UNA GARANTÍA IMPLÍCITA, ASÍ QUE LA LIMITACIÓN ANTERIOR PUEDE NO APLICAR A USTED. ESTA GARANTÍA LE DA DERECHOS LEGALES ESPECIALES Y QUIZA TAMBIEN TENGA OTROS DERECHOS QUE VAN A VARIAR DE ESTADO A ESTADO.

Esta garantía aplica al producto vendido solamente en EE. UU. y Canadá. Consulte la "Búsqueda del centro de servicio" ("Service Center Search") en la sección de Partes y servicios (Parts & Services) de la página web de MILWAUKEE [www.milwaukeetool.com](http://www.milwaukeetool.com) o llame al 1.800.SAWDUST (1.800.729.3878) para localizar su centro de servicio más cercano para el servicio de garantía y no garantía de una herramienta eléctrica de Milwaukee.

## **PÓLIZA DE GARANTÍA - VALIDA SÓLO PARA MÉXICO, AMÉRICA CENTRAL Y EL CARIBE**

La garantía de TECHTRONIC INDUSTRIES es por 3 años a partir de la fecha original de compra.

Esta tarjeta de garantía cubre cualquier defecto de material y mano de obra en ese Producto.

Para hacer válida esta garantía, presente esta tarjeta de garantía, cerrada/sellada por el distribuidor o la tienda donde compró el producto, al Centro de Servicio Autorizado (ASC). O, si esta tarjeta no se ha cerrado/sellado, presente la prueba original de compra a ASC. Llame gratis al 01 (800) 030-7777 para encontrar el ASC más cercano, para servicio, partes, accesorios o componentes.

### **Procedimiento para hacer válida esta garantía**

Lleve el producto a ASC, junto con la tarjeta de garantía cerrada/sellada por el distribuidor o la tienda donde compró el producto, y cualquier pieza o componente defectuoso se reemplazará sin costo para usted. Cubriremos todos los costos de flete con relación a este proceso de garantía

### **Excepciones**

Esta garantía no tendrá validez en las siguientes situaciones:

- Cuando el producto se use de manera distinta a la que indica el manual del usuario final o de instrucciones.
- Cuando las condiciones de uso no sean normales.
- Cuando otras personas no autorizadas por TECHTRONIC INDUSTRIES modifiquen o reparen el producto.

**Nota:** si el juego de cables está dañado, tiene que reemplazarse en un Centro de Servicio Autorizado para evitar riesgos eléctricos.

**CENTRO DE SERVICIO Y ATENCIÓN**

Llame al 01 (800) 030-7777

**IMPORTADO Y COMERCIALIZADO POR**

**TECHTRONIC INDUSTRIES, MÉXICO, SA DE CV**

Av. President Masarik #29 piso 7, Col. Polanco V Sección

CP 11560, Deleg. Miguel Hidalgo, CDMX

**Modelo:** \_\_\_\_\_

**Fecha de Compra:** \_\_\_\_\_

**Sello del Distribuidor:** \_\_\_\_\_

**MILWAUKEE TOOL**  
13135 West Lisbon Road  
Brookfield, WI 53005 USA

58140129d1  
10/18

961012813-01(B)  
Printed in China