

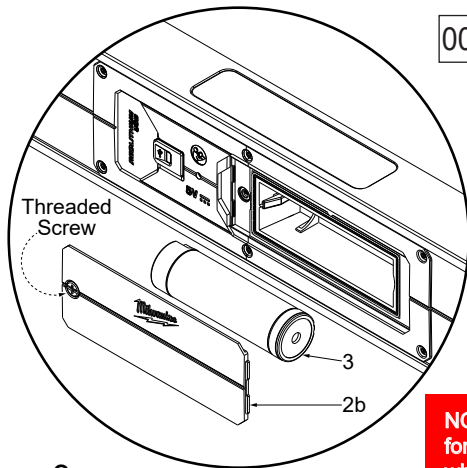


# SERVICE PARTS LIST

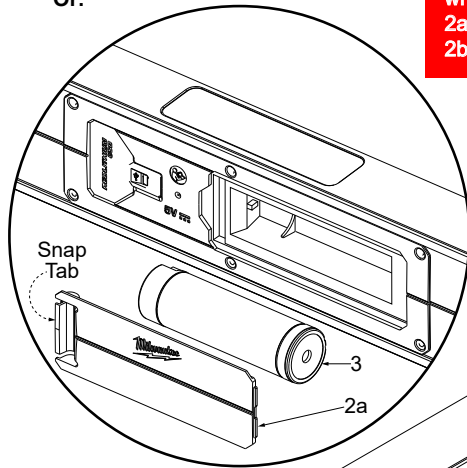
**BULLETIN NO.**  
**54-49-5212**

SPECIFY CATALOG NO. AND SERIAL NO. WHEN ORDERING PARTS			REVISED BULLETIN	DATE
<b>DIGITAL LEVELS</b>				Aug. 2019
<b>CATALOG NO.</b>	<b>MLDIG14</b> <b>MLDIG24</b>	<b>MLDIG48</b> <b>MLDIG72</b>	WIRING INSTRUCTION	

**EXAMPLE:**  
Component Parts (Small #) Are Included  
When Ordering The Assembly (Large #).



Or:



**NOTE:** There are two different replacement battery doors for the models listed above, please visually confirm which door needs to be ordered.

2a Battery Door with Snap Tab design 42-92-0102  
2b Battery Door with Threaded Screw 42-92-0104

Model MLDIG24  
Shown

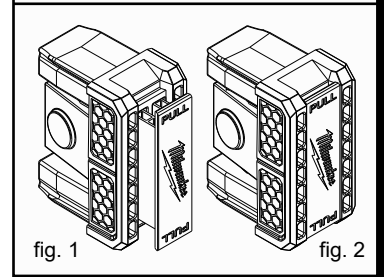
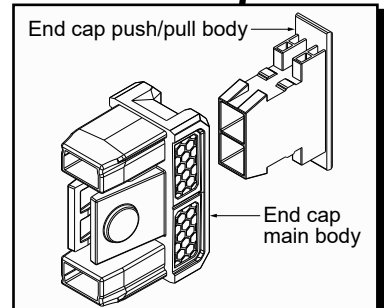
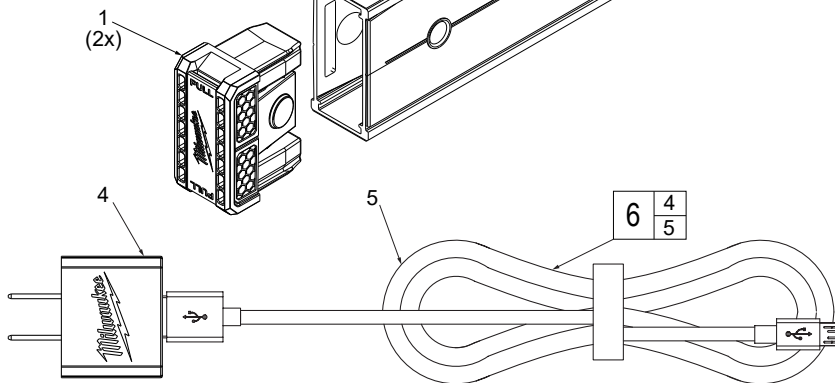
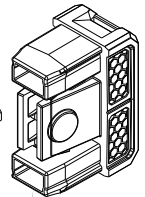


FIG.	PART NO.	DESCRIPTION OF PART	NO. REQ.
1	MLDENDCP	Replacement End Cap Kit (Set of 2)	(1)
2a	42-92-0102	Replacement Battery Door with Snap Tab	(1)
2b	42-92-0104	Replacement Battery Door with Threaded Screw	(1)
3	48-11-2130	REDLITHIUM USB Battery Pack	(1)
4	-----	USB Wall Adapter	(1)
5	-----	36" Micro USB Cable	(1)
6	48-59-1202	USB Micro Cable and AC Plug Kit	(1)
7	MLDSB14	Soft Case for MLDIG14 Digital Level (Not Shown)	(1)
	MLDSB24	Soft Case for MLDIG24 Digital Level (Not Shown)	(1)
	MLDSB48	Soft Case for MLDIG48 Digital Level (Not Shown)	(1)
	MLDSB72	Soft Case for MLDIG72 Digital Level (Not Shown)	(1)

Each End Cap Assembly should come fully assembled.

Open the push/pull body to allow easy installation of End Cap Assembly into frame of level, as shown in fig. 1.

With End Cap Assembly fully seated in frame, depress the push/pull body to lock assembly in place, see fig. 2.