

The logo for R.F. PRODUCTS CORP. features the company name in white, bold, sans-serif capital letters. "R.F. PRODUCTS" is positioned on the top line, and "CORP." is on the bottom line. The text is centered within a red oval background.

R.F. PRODUCTS
CORP.

ACCESSORIES FOR THE CONTINUOUS SLOT

ADJUSTABLE

METAL FRAMING INDUSTRY

5232 TOD AVE. S.W., SUITE #19
LORDSTOWN, OH 44481-9747

1-330-399-3344

1-800-399-3244

FAX 1-330-399-3482



TERMS AND CONDITIONS OF SALE

- **PAYMENT TERMS:** 2% 10 days, Net 30 days.
- **PRICES:** Prices are subject to change without notice.
- **MINIMUM ORDER:** We do not have a minimum order amount.
- **PACKAGING:** All products are shipped in carton quantities unless otherwise noted. We do not charge for breaking a box quantity.
- **RETURNS:** Products can only be returned with permission from R.F. Products, Corp. The returned products must be in the original packaging and is subject to a restocking fee. Freight for the returned products is the responsibility of the customer.
- **LIABILITY:** If parts are returned as defective or incorrect, will be replaced if available. Any claims must be made within 30 days of receipt of material.
- **LOSS OR DAMAGE IN TRANSIT:** You will have 10 days from the date of receipt to claim any shortages.
- **MISUSE:** We are not liable for damage due to improper installation or misuse of products.
- **DIMENSIONS AND WEIGHT:** All the weights on any of our forms or in this catalog are approximations.
- **PRODUCT DESIGN:** Occasionally product designs will change without notice.
- **SPECIAL ORDERS:** Special order items are **non-cancellable** and **non-returnable**.
- All of our products can be made domestically, imports may be available.
- We apologize for any inaccuracies that we may have missed before publication.



TABLE OF CONTENTS

CHANNEL NUTS AND HARDWARE

PIPE AND CONDUIT CLAMPS

FLAT FITTINGS

90° FITTINGS

ANGULAR FITTINGS

“U” FITTINGS

“Z” FITTINGS

WING FITTINGS

POST BASE

BEAM CLAMPS

BRACKETS AND BRACES

ELECTRICAL

ROLLERS AND TROLLEYS

PVC END CAPS

CONCRETE INSERTS

CHANNEL NUTS AND HARDWARE

MATERIAL

We offer channel nuts in steel (ASTM A575 Grade M1015, 3/8" and thicker are case hardened to RC25 MIN), Stainless Steel (ASTM A276 Type 304 and A276 Type 316L) and Aluminum (ASTM B-221 Type 6063-T5).

FINISHES

The standard finish is electroplated coatings of Zinc conforms to ASTM B633 SC1 Type III. We also offer hot-dipped galvanized (HDG) which conforms to ASTM A123 and yellow dichromate (YLW) which conforms to ASTM B633 SC3 Type II.

THREADS

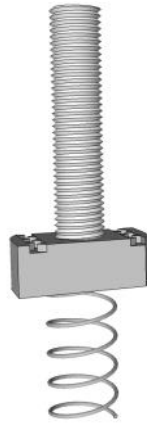
Nuts are manufactured to meet the Unified Screw Threads standard, ANSI B1.1, Coarse series UNC, class 2.

TORQUE

BOLT SIZE	REC. TORQUE
8-32	19 in. lbs.
10-24	27 in. lbs.
10-32	31 in. lbs.
1/4"-20	6 ft. lbs.
5/16"-18	11 ft. lbs.
3/8"-16	19 ft. lbs.
7/16"-14	32 ft. lbs.
1/2"-13	50 ft. lbs.
5/8"-11	100 ft. lbs.
3/4"-10	125 ft. lbs.
7/8"-9	166 ft. lbs.
M6	9 ft. lbs.
M8	13 ft. lbs.
M10	27 ft. lbs.
M12	46 ft. lbs.



Stud Nuts
 RS (Regular Spring)
 for 1-3/8" and 1-5/8"
 Deep Channels

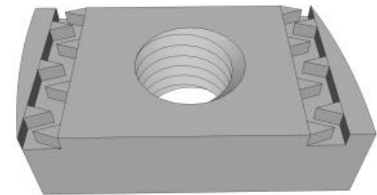


PART NUMBER	NUT THICKNESS	BOX QTY	WEIGHT/100 PCS
SN-1/4 RS - 1-1/4	1/4"	50	8.4 lbs.
SN-3/8 RS - 1-1/4	3/8"	50	14 lbs.
SN-3/8 RS - 1-3/8	3/8"	50	14 lbs.
SN-3/8 RS - 1-1/2	3/8"	50	14.4 lbs.
SN-3/8 RS - 2-1/8	3/8"	50	15.2 lbs.
SN-1/2 RS - 1	1/2"	50	16 lbs.
SN-1/2 RS - 1-1/4	1/2"	50	19.8 lbs.
SN-1/2 RS - 1-3/8	1/2"	50	20.4 lbs.
SN-1/2 RS - 1-1/2	1/2"	50	20 lbs.
SN-1/2 RS - 2	1/2"	50	19 lbs.
SN-1/2 RS - 2-1/4	1/2"	50	20 lbs.
SN-1/2 WO - 2-1/4	1/2"	50	10 lbs.

Stocked in	PLTD	SS304	SS316	ALUM	HDG	YLW	GRN	PLN
	X							

Other Finishes Available by Special Order

WITHOUT SPRING CLAMPING NUT
 WO (Without Spring)
 1/4" and 3/8" thick nuts fit all 1-5/8" wide channel



PART NUMBER	SIZE	THREAD	THICKNESS	BOX QTY	WEIGHT/100 PCS	PLTD	SS304	SS316	ALUM	HDG	YLW	GRN	PLN
8-32 WO	#8	32	1/4"	100	7 lbs.	X							
10-24 WO	#10	24	1/4"	100	7 lbs.	X							
10-32 WO	#10	32	1/4"	100	7 lbs.	X							
1/4-20 WO	1/4"	20	1/4"	100	7 lbs.	X		X	X	X			
5/16-18 WOS	5/16"	18	1/4"	100	7 lbs.	X							
5/16-18 WO	5/16"	18	3/8"	100	10 lbs.	X		X					
3/8-16 WOS	1/4"	16	1/4"	100	7 lbs.	X							
3/8-16 WO	3/8"	16	3/8"	100	10 lbs.	X		X		X	X		
7/16-14 WO	7/16"	14	3/8"	100	9.3 lbs.	X							
1/2-13 WOS	1/2"	13	3/8"	100	9.4 lbs.	X		X					
1/2-13 WO	1/2"	13	1/2"	100	12 lbs.	X		X		X	X		
5/8-11 WOS	5/8"	11	3/8"	100	15 lbs.	X							
5/8-11 WO	5/8"	11	7/16"	100	15 lbs.	X		X		X			
3/4-10 WOS	3/4"	10	3/8"	100	15 lbs.	X							
3/4-10 WO	3/4"	10	7/16"	100	15 lbs.	X		X					
7/8-9 WO	7/8"	9	7/16"	100	15 lbs.	X		X					
M6 RP WO	M6	1	1/4"	100	9.5 lbs.	X							
M8 RP WO	M8	1.25	3/8"	100	9.5 lbs.	X							
M10 RP WO	M10	1.5	3/8"	100	10 lbs.	X							
M12 RP WOS	M12	1.75	3/8"	100	9.5 lbs.	X							
M12 RP WO	M12	1.75	1/2"	100	12 lbs.	X							
M16 RP WO	M16	2	7/16"	100	15 lbs.	X							

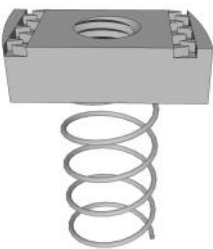
Other Finishes Available by Special Order

LONG SPRING (LS SERIES) CLAMPING NUTS FOR 2-7/16" AND 3-1/4" DEEP CHANNELS



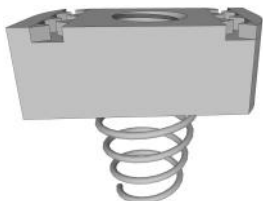
PART NUMBER	SIZE	THREAD	THICKNESS	BOX QTY	WEIGHT/100 PCS	PLTD	SS304	SS316	ALUM	HDG	YLW	GRN	PLAIN
8-32 LS	#8	32	1/4"	50	8.4 lbs.	X							
10-24 LS	#10	24	1/4"	50	8.4 lbs.	X							
10-32 LS	#10	32	1/4"	50	8.4 lbs.	X							
1/4-20 LS	1/4"	20	1/4"	50	8.4 lbs.	X							
5/16-18 LSS	5/16"	18	1/4"	50	8 lbs.	X							
5/16-18 LS	5/16"	18	3/8"	50	11.2 lbs.	X							
3/8-16 LSS	1/4"	16	1/4"	50	7.8 lbs.	X							
3/8-16 LS	3/8"	16	3/8"	50	10.5 lbs.	X							
7/16-14 LS	7/16"	14	3/8"	50	10.5 lbs.	X							
1/2-13 LSS	1/2"	13	3/8"	50	9 lbs.	X							
1/2-13 LS	1/2"	13	1/2"	50	13 lbs.	X							
5/8-11 LS	5/8"	11	7/16"	50	13lbs.	X							
3/4-10 LS	3/4"	10	7/16"	50	13 lbs.	X							
M6 RP LS	M6	1	1/4"	50	8.4 lbs.	X							
M8 RP LS	M8	1.25	3/8"	50	11.2 lbs.	X							
M10 RP LS	M10	1.5	3/8"	50	10.5 lbs.	X							
M12 RP LSS	M12	1.75	3/8"	50	9 lbs.	X							
M12 RP LS	M12	1.75	1/2"	50	13 lbs.	X							

REGULAR SPRING (RS SERIES) CLAMPING NUTS FOR 1-3/8" AND 1-5/8" DEEP CHANNELS



PART NUMBER	SIZE	THREAD	THICKNESS	BOX QTY	WEIGHT/100 PCS	PLTD	SS304	SS316	ALUM	HDG	YLW	GRN	PLN
8-32 RS	#8	32	1/4"	100	7 lbs.	X							
10-24 RS	#10	24	1/4"	100	7 lbs.	X							
10-32 RS	#10	32	1/4"	100	7 lbs.	X							
1/4-20 RS	1/4"	20	1/4"	100	7 lbs.	X		X	X	X			
5/16-18 RSS	5/16"	18	1/4"	100	7 lbs.	X							
5/16-18 RS	5/16"	18	3/8"	100	10 lbs.	X		X					
3/8-16 RSS	1/4"	16	1/4"	100	7 lbs.	X							
3/8-16 RS	3/8"	16	3/8"	100	10 lbs.	X		X	X	X			
7/16-14 RS	7/16"	14	7/16"	100	9.3 lbs.	X							
1/2-13 RSS	1/2"	13	3/8"	100	9.4 lbs.	X		X					
1/2-13 RS	1/2"	13	1/2"	100	12 lbs.	X		X	X	X			
5/8-11 RS	5/8"	11	7/16"	50	15lbs.	X		X		X			
3/4-10 RS	3/4"	10	7/16"	50	13 lbs.	X		X		X			
7/8-9 RS	7/8"	9	7/16"	50	15 lbs.	X							
M6 RP RS	M6	1	1/4"	100	9.5 lbs.	X	X						
M8 RP RS	M8	1.25	3/8"	100	9.5 lbs.	X							
M10 RP RS	M10	1.5	3/8"	100	10 lbs.	X							
M12 RP RSS	M12	1.75	3/8"	100	9.5 lbs.	X							
M12 RP RS	M12	1.75	1/2"	100	12 lbs.	X							
M16 RP RS	M16	2	7/16"	50	16 lbs.	X							

**SHORT SPRING (SS SERIES) CLAMPING NUT
FOR 13/16", 7/8" AND 1" DEEP CHANNELS**



PART NUMBER	SIZE	THREAD	THICKNESS	BOX QTY	WEIGHT/ 100 PCS	PLTD	SS304	SS316	ALUM	HDG	YLW	GRN	PLAIN
10-24 SS	#10	24	1/4"	100	7 lbs.	X							
10-32 SS	#10	32	1/4"	100	7 lbs.	X							
1/4-20 SS	1/4"	20	1/4"	100	7 lbs.	X		X					
5/16-18 SSS	5/16"	18	1/4"	100	7 lbs.	X							
5/16-18 SS	5/16"	18	3/8"	100	10 lbs.	X		X					
3/8-16 SSS	1/4"	16	1/4"	100	7 lbs.	X							
3/8-16 SS	3/8"	16	3/8"	100	10 lbs.	X		X					
7/16-14 SS	7/16"	14	7/16"	100	9.3 lbs.	X							
1/2-13 SS	1/2"	13	1/2"	100	12 lbs.	X		X					
5/8-11 SS	5/8"	11	7/16"	50	15 lbs.	X							
M6 RP SS	M6	1	1/4"	100	9.5 lbs.	X							
M8 RP SS	M8	1.25	3/8"	100	9.5 lbs.	X							
M10 RP SS	M10	1.5	3/8"	100	10 lbs.	X							
M12 RP SS	M12	1.75	3/8"	100	9 lbs.	X							

**TOP SPRING (TS SERIES) CLAMPING NUT
FOR ALL CHANNELS**



PART NUMBER	SIZE	THREAD	THICKNESS	BOX QTY	WEIGHT/ 100 PCS	PLTD	SS304	SS316	ALUM	HDG	YLW	GRN	PLAIN
8-32 TS	#8	32	1/4"	100	7 lbs.	X							
10-24 TS	#10	24	1/4"	100	7 lbs.	X							
10-32 TS	#10	32	1/4"	100	7 lbs.	X							
1/4-20 TS	1/4"	20	1/4"	100	7 lbs.	X							
5/16-18 TSS	5/16"	18	1/4"	100	7 lbs.	X							
5/16-18 TS	5/16"	18	3/8"	100	10 lbs.	X							
3/8-16 TSS	1/4"	16	1/4"	100	7 lbs.	X							
3/8-16 TS	3/8"	16	3/8"	100	10 lbs.	X							
1/2-13 TSS	1/2"	13	3/8"	100	9.4 lbs.	X							
1/2-13 TS	1/2"	13	1/2"	100	12 lbs.	X							
M6 RP TS	M6	1	1/4"	100	9.5 lbs.	X							
M8 RP TS	M8	1.25	3/8"	100	9.5 lbs.	X							
M10 RP TS	M10	1.5	3/8"	100	10 lbs.	X							
M12 RP TSS	M12	1.75	3/8"	100	9.5 lbs.	X							
M12 RP TS	M12	1.75	1/2"	100	12 lbs.	X							

MINI CLAMPING NUT WITHOUT SPRING

For 13/16" and 13/32"
Deep Junior Channels



PART NUMBER	BOX QTY	WEIGHT/ 100 PCS
10-32 WO MINI	200	1 lbs.
10-24 WO MINI	200	1.1 lbs.
1/4-20 WO MINI	200	1 lbs.

Stocked in	PLTD	SS304	SS316	ALUM	HDG	YLW	GRN	PLN
	X							
Other Finishes Available by Special Order								

MINI CLAMPING NUT WITH LONG SPRINGS

For 13/16" Deep Junior Channels



PART NUMBER	BOX QTY	WEIGHT/ 100 PCS
8-32 LS MINI	200	1.4 lbs.
10-32 LS MINI	200	1.4 lbs.
10-24 LS MINI	200	1.4 lbs.
1/4-20 LS MINI	200	1.4 lbs.

Stocked in	PLTD	SS304	SS316	ALUM	HDG	YLW	GRN	PLN
	X							
Other Finishes Available by Special Order								

MINI CLAMPING NUT WITH SHORT SPRINGS

For 13/32" Deep Junior Channels



PART NUMBER	BOX QTY	WEIGHT/ 100 PCS
8-32 SS MINI	200	1.2 lbs.
10-32 SS MINI	200	1.2 lbs.
10-24 SS MINI	200	1.2 lbs.
1/4-20 SS MINI	200	1.2 lbs.

Stocked in	PLTD	SS304	SS316	ALUM	HDG	YLW	GRN	PLN
	X							
Other Finishes Available by Special Order								

CONE NUTS

Channel Nut with Nylon Cone

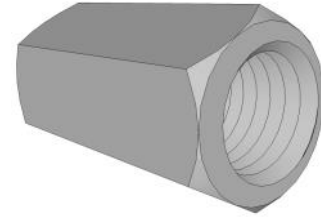


PART NUMBER	BOX QTY	WEIGHT/ 100 PCS
1/4-20 CN	100	10 lbs.
3/8-16 CN	100	9 lbs.
1/2-13 CN	100	9 lbs.

Stocked in	PLTD	SS304	SS316	ALUM	HDG	YLW	GRN	PLN
	X							
Other Finishes Available by Special Order								

ROD COUPLING NUTS

Grade 2



PART NUMBER	LENGTH	BOX QTY	WEIGHT/ BOX	WEIGHT/ 100 PCS
RC-135-1/4-20	7/8"	100	2.1	2.1 lbs.
RC-135-5/16-18	7/8"	100	2.3	2.3 lbs.
RC-135-3/8-16	1-1/8"	100	3.6	3.6 lbs.
RC-135-1/2-13	1-3/4"	25	3	12 lbs.
RC-135-5/8-11	2-1/8"	25	4.9	19.4 lbs.
RC-135-3/4-10	2-1/4"	25	7.8	31 lbs.
RC-135-7/8-09	2-1/2"	25	14.3	57 lbs.
RC-135-1-08	2-3/4"	25	18.2	72.6 lbs.

Stocked in	PLTD	SS304	SS316	ALUM	HDG	YLW	GRN	PLN
	X							

Other Finishes Available by Special Order

1/4"-20 x 3/4" Pipe Clamp Hardware
25 Bolts and 25 Nuts Per Bag



SIZE	WEIGHT/ 100 PCS
1/4"-20 x 3/4"-PLTD	1.8 lbs.
1/4"-20 x 3/4"-SS304	2.2 lbs.
1/4"-20 x 3/4"-SS316	2.2 lbs.
1/4"-20 x 3/4"-ALUM	0.6 lbs.
1/4"-20 x 3/4"-CPR	1.8 lbs.

5/16"18 x 1" Pipe Clamp Hardware
25 Bolts and 25 Nuts Per Bag



SIZE	WEIGHT/ 100 PCS
5/16"-18 x 1"-PLTD	3.6 lbs.
5/16"-18 x 1"-SS304	3.9 lbs.
5/16"-18 x 1"-SS316	3.9 lbs.
5/16"-18 x 1"-CPR	3.6 lbs.

5/16"18 x 1-1/4" Pipe Clamp Hardware
25 Bolts and 25 Nuts Per Bag



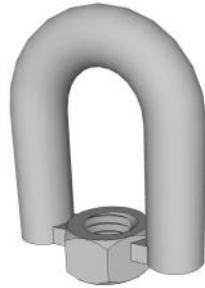
SIZE	WEIGHT/ 100 PCS
5/16"-18 X 1-1/4"-PLTD	4 lbs.
5/16"-18 X 1-1/4"-SS304	4.3 lbs.
5/16"-18 X 1-1/4"-ALUM	3.52 lbs.

3/8"-16 x 1-1/4" Pipe Clamp Hardware
25 Bolts and 25 Nuts Per Bag



SIZE	WEIGHT/ 100 PCS
3/8"-16 x 1-1/4"-PLTD	6.2 lbs.
3/8"-16 x 1-1/4"-SS304	6 lbs.
3/8"-16 x 1-1/4"-SS316	6 lbs.
3/8"-16 x 1-1/4"-ALUM	2.2 lbs.
3/8"-16 x 1-1/4"-CPR	5.9 lbs.

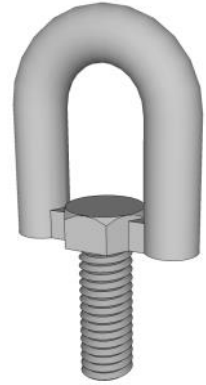
SW-202 Series Swivel Hanger Single Female



PART NUMBER	BOX QTY	WEIGHT/100 PCS
SW-202-3/8	25	13 lbs.
SW-202-1/2	25	15 lbs.

Stocked in	PLTD	SS304	SS316	ALUM	HDG	YLW	GRN	PLN
	X							
Other Finishes Available by Special Order								

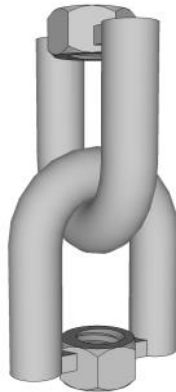
SW-205 Series Swivel Hanger Single Male



PART NUMBER	BOX QTY	WEIGHT/100 PCS
SW-205-3/8	25	16 lbs.
SW-205-1/2	25	20 lbs.

Stocked in	PLTD	SS304	SS316	ALUM	HDG	YLW	GRN	PLN
	X							
Other Finishes Available by Special Order								

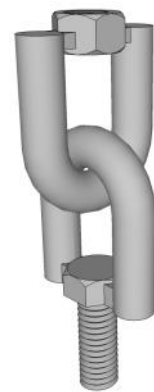
SW-204 Series Swivel Hanger Female-Female



PART NUMBER	BOX QTY	WEIGHT/100 PCS
SW-204-3/8	50	21 lbs.
SW-204-1/2	50	37 lbs.

Stocked in	PLTD	SS304	SS316	ALUM	HDG	YLW	GRN	PLN
	X							
Other Finishes Available by Special Order								

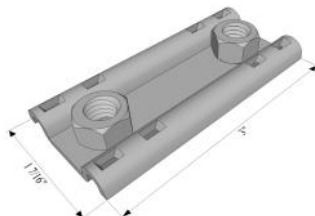
SW-203 Series Swivel Hanger Male-Female



PART NUMBER	BOX QTY	WEIGHT/100 PCS
SW-203-3/8	50	26 lbs.
SW-203-1/2	50	28 lbs.

Stocked in	PLTD	SS304	SS316	ALUM	HDG	YLW	GRN	PLN
	X							
Other Finishes Available by Special Order								

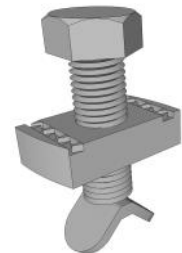
DN-3281 Conveyor Adjustable Double 3/8"-16 Nut 2" O.C. for 1-5/8" Wide Channel 1-3/8" Wide x 3" Long



50 Pcs/Box
18 lbs./100 Pcs.

Stocked in	PLTD	SS304	SS316	ALUM	HDG	YLW	GRN	PLN
	X							
Other Finishes Available by Special Order								

RS-3500 Vertical Seismic Rod Stiffener for 3/8" thru 5/8" Rod



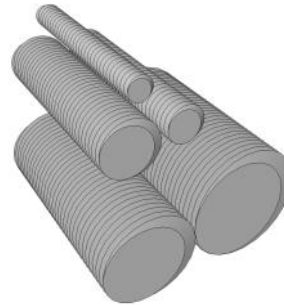
Includes:
1/2"-13 WOS Clamping Nut
1/2"-13 x 1-1/2" HHCS with Attached Saddle

50 Pcs/Box
16 lbs./100 Pcs

Stocked in	PLTD	SS304	SS316	ALUM	HDG	YLW	GRN	PLN
	X		X					
Other Finishes Available by Special Order								

ALL THREADED ROD

Grade 2



PART NUMBER	RECOMMENDED LOAD (LBS)	WEIGHT (lbs.)		STANDARD TUBE QTY	
		Piece	TUBE	PCS	FT
AT-1/4"-20 x 6'	240	0.7	36	50	300'
AT-1/4"-20 x 10'	240	1.2	60	50	500'
AT-1/4"-20 x 12'	240	1.4	72	50	600'
AT-5/16"-18 x 6'	380	1.1	39	35	210'
AT-5/16"-18 x 10'	380	1.9	66	35	350'
AT-5/16"-18 x 12'	380	2.3	79	35	420'
AT-3/8"-16 x 6'	610	1.7	43	25	150'
AT-3/8"-16 x 10'	610	2.9	72	25	250'
AT-3/8"-16 x 12'	610	3.5	87	25	300'
AT-1/2"-13 x 6'	1130	3.2	38	12	72'
AT-1/2"-13 x 10'	1130	5.3	63	12	120'
AT-1/2"-13 x 12'	1130	6.4	73	12	144'
AT-5/8"-11 x 6'	1810	5.0	39	8	48'
AT-5/8"-11 x 10'	1810	8.3	66	8	80'
AT-5/8"-11 x 12'	1810	10.0	79	8	96'
AT-3/4"-10 x 6'	2710	7.3	36	5	30'
AT-3/4"-10 x 10'	2710	12.2	61	5	50'
AT-3/4"-10 x 12'	2710	14.6	73	5	60'
AT-7/8"-09 x 6'	3770	9.9	39	4	24'
AT-7/8"-09 x 10'	3770	16.5	66	4	40'
AT-7/8"-09 x 12'	3770	19.8	79	4	48'
AT-1"-08 x 6'	4960	13.3	26	2	12'
AT-1"-08 x 10'	4960	22.2	44	2	20'
AT-1"-08 x 12'	4960	26.6	53	2	24'

	PLTD	SS304	SS316	ALUM	HDG	YLW	GRN	PLN
Stocked in	X							
Other Finishes Available by Special Order								



Tel: 1-800-399-3244
Tel: 1-330-399-3344
Fax: 1-330-399-3482

NOTES

Blank lined area for notes

PIPE AND CONDUIT CLAMPS

MATERIAL

Pipe and conduit clamps are made from 16 ga. steel (ASTM A366), 14 ga. and thicker steel (ASTM A569), Stainless Steel clamps (ASTM A240 Type 304 and A240 Type 316L) and Aluminum (ASTM B209).

FINISH

The standard finish is electroplated coatings of Zinc conforms to ASTM B633 SC1 Type III. Hot-dipped galvanized is also available and conforms to ASTM A123.

TORQUE

BOLT SIZE	REC. TORQUE
1/4"-20	6 ft. lbs.
5/16"-18	11 ft. lbs.
3/8"-16	19 ft. lbs.



EMT PIPE CLAMPS



Tel: 1-800-399-3244

Tel: 1-330-399-3344

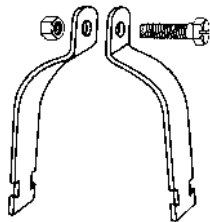
Fax: 1-330-399-3482

EMT Pipe Clamps

Electrical Metallic Tubing
(Thin Wall Conduit)

Sold in Pairs

Packed with Hardware in
Bags of 25 pcs.



PART NUMBER	MATERIAL THICKNESS	HARDWARE SIZE	LOAD RATINGS/ LBS.	QTY/ BOX	WEIGHT/ 100 PRS
3/8 EMT	16 Ga.	1/4-20 x 3/4"	400	100	10.2 lbs.
1/2 EMT	16 Ga.	1/4-20 x 3/4"	400	100	10.3 lbs.
3/4 EMT	16 Ga.	1/4-20 x 3/4"	400	100	11.1 lbs.
1 EMT	14 Ga.	1/4-20 x 3/4"	600	100	15.6 lbs.
1-1/4 EMT	14 Ga.	1/4-20 x 3/4"	600	100	17.7 lbs.
1-1/2 EMT	12 Ga.	5/16-18 x 1"	800	50	26.4 lbs.
2 EMT	12 Ga.	5/16-18 x 1"	800	50	30.9 lbs.

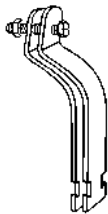
	PLTD	SS304	SS316	ALUM	HDG	YLW	GRN	PLN
Stocked in	X	X						
Other Finishes Available by Special Order								

EMT-A Pipe Clamps - ASSEMBLED

Electrical Metallic Tubing
(Thin Wall Conduit)

Sold in Pairs

Assembled - A Pair of Clamps
Bolted Together



PART NUMBER	MATERIAL THICKNESS	HARDWARE SIZE	LOAD RATINGS/ LBS	QTY/ BOX	WEIGHT/ 100 PRS
3/8 EMT-A	16 Ga.	1/4-20 x 3/4"	400	100	10.2 lbs.
1/2 EMT-A	16 Ga.	1/4-20 x 3/4"	400	100	10.3 lbs.
3/4 EMT-A	16 Ga.	1/4-20 x 3/4"	400	100	11.1 lbs.
1 EMT-A	14 Ga.	1/4-20 x 3/4"	600	100	15.6 lbs.
1-1/4 EMT-A	14 Ga.	1/4-20 x 3/4"	600	100	17.7 lbs.
1-1/2 EMT-A	12 Ga.	5/16-18 x 1"	800	50	26.4 lbs.
2 EMT-A	12 Ga.	5/16-18 x 1"	800	50	30.9 lbs.

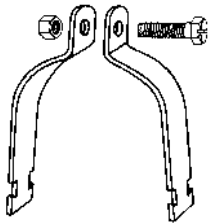
	PLTD	SS304	SS316	ALUM	HDG	YLW	GRN	PLN
Stocked in	X	X						
Other Finishes Available by Special Order								

UNIVERSAL PIPE CLAMPS

Rigid Steel Conduit (Heavy Wall)
 Electrical Metallic Tubing (Thin Wall Conduit)

Sold in Pairs

Packed with Hardware in
 Bags of 25 pcs.



PART NUMBER	MATERIAL THICKNESS	HARDWARE SIZE	LOAD RATINGS/ LBS	BOX QTY	WEIGHT/ 100 PRS
1/2 UNIV	14 Ga.	5/16-18 x 1-1/4"	400	100	12.3 lbs.
3/4 UNIV	14 Ga.	5/16-18 x 1-1/4"	400	100	13.5 lbs.
1 UNIV	14 Ga.	5/16-18 x 1-1/4"	400	100	16.7 lbs.
1-1/4 UNIV	14 Ga.	5/16-18 x 1-1/4"	400	100	18.7 lbs.
1-1/2 UNIV	12 Ga.	5/16-18 x 1-1/4"	600	50	27.4 lbs.
2 UNIV	12 Ga.	5/16-18 x 1-1/4"	600	50	31.6 lbs.

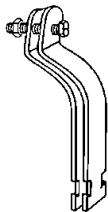
Stocked in	PLTD	SS304	SS316	ALUM	HDG	YLW	GRN	PLN
	X	X						
Other Finishes Available by Special Order								

UNIVERSAL PIPE CLAMPS - ASSEMBLED

Rigid Steel Conduit (Heavy Wall)
 Electrical Metallic Tubing (Thin Wall Conduit)

Sold in Pairs

Assembled - A Pair of
 Clamps Bolted Together



PART NUMBER	MATERIAL THICKNESS	HARDWARE SIZE	LOAD RATINGS/ LBS	BOX QTY	WEIGHT/ 100 PRS
1/2 UNIV-A	14 Ga.	5/16-18 x 1-1/4"	400	100	12.3 lbs.
3/4 UNIV-A	14 Ga.	5/16-18 x 1-1/4"	400	100	13.5 lbs.
1 UNIV-A	14 Ga.	5/16-18 x 1-1/4"	400	100	16.7 lbs.
1-1/4 UNIV-A	14 Ga.	5/16-18 x 1-1/4"	400	100	18.7 lbs.
1-1/2 UNIV-A	12 Ga.	5/16-18 x 1-1/4"	600	50	27.4 lbs.
2 UNIV-A	12 Ga.	5/16-18 x 1-1/4"	600	50	31.6 lbs.

Stocked in	PLTD	SS304	SS316	ALUM	HDG	YLW	GRN	PLN
	X	X						
Other Finishes Available by Special Order								

RIGID PIPE CLAMPS



Tel: 1-800-399-3244

Tel: 1-330-399-3344

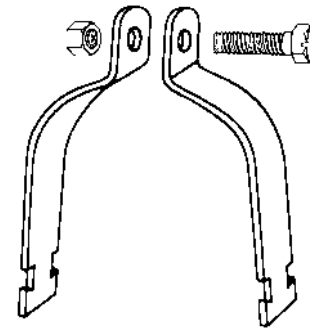
Fax: 1-330-399-3482

RIGID PIPE CLAMPS

- IPS - Standard Weight Steel Pipe Schedule 40
- Rigid (Heavy Wall) Steel Conduit
- Extra Strong Steel Pipe Schedule 80

Sold in Pairs

Packed with Hardware in Bags of 25 pcs.

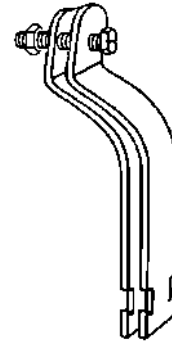


PART NUMBER	O.D. SIZE	MATERIAL THICKNESS	HARDWARE SIZE	LOAD RATINGS/ LBS	BOX QTY	WEIGHT/ 100 PRS
1/4 RGD	0.5400	16 Ga.	1/4-20 x 3/4"	400	100	9.0 lbs.
3/8 RGD	0.6750	16 Ga.	1/4-20 x 3/4"	400	100	10.6 lbs.
1/2 RGD	0.8400	16 Ga.	1/4-20 x 3/4"	400	100	10.8 lbs.
3/4 RGD	1.0500	14 Ga.	1/4-20 x 3/4"	600	100	13.8 lbs.
1 RGD	1.3150	14 Ga.	1/4-20 x 3/4"	600	100	15.6 lbs.
1-1/4 RGD	1.6600	14 Ga.	1/4-20 x 3/4"	600	100	19.1 lbs.
1-1/2 RGD	1.9000	12 Ga.	5/16-18 x 1"	800	50	29.6 lbs.
2 RGD	2.3750	12 Ga.	5/16-18 x 1"	800	50	33.6 lbs.
2-1/2 RGD	2.8750	12 Ga.	5/16-18 x 1"	800	50	37.2 lbs.
3 RGD	3.5000	12 Ga.	5/16-18 x 1"	800	50	44.6 lbs.
3-1/2 RGD	4.0000	11 Ga.	3/8-16 x 1-1/4"	1000	25	57.6 lbs.
4 RGD	4.5000	11 Ga.	3/8-16 x 1-1/4"	1000	25	62.8 lbs.
5 RGD	5.5630	11 Ga.	3/8-16 x 1-1/4"	1000	25	73.2 lbs.
6 RGD	6.6250	11 Ga.	3/8-16 x 1-1/4"	1000	25	97.6 lbs.
8 RGD	8.6250	11 Ga.	3/8-16 x 1-1/4"	1000	25	124.0 lbs.
10 RGD	10.7500	11 Ga.	3/8-16 x 1-1/4"	1000	25	143.2 lbs.
12 RGD	12.7500	11 Ga.	3/8-16 x 1-1/4"	1000	25	174.0 lbs.

	PLTD	SS304	SS316	ALUM	HDG	YLW	GRN	PLN
Stocked in	X	X	X	X	X			
Other Finishes Available by Special Order								

RIGID PIPE CLAMPS - ASSEMBLED

- IPS - Standard Weight Steel Pipe Schedule 40
- Rigid (Heavy Wall) Steel Conduit
- Extra Strong Steel Pipe Schedule 80



Sold in Pairs

Assembled - A Pair of Clamps Bolted Together

PART NUMBER	O.D. SIZE	MATERIAL THICKNESS	HARDWARE SIZE	LOAD RATINGS/ LBS	BOX QTY	WEIGHT/ 100 PRS
1/4 RGD-A	0.5400	16 Ga.	1/4-20 x 3/4"	400	100	9.0 lbs.
3/8 RGD-A	0.6750	16 Ga.	1/4-20 x 3/4"	400	100	10.6 lbs.
1/2 RGD-A	0.8400	16 Ga.	1/4-20 x 3/4"	400	100	10.8 lbs.
3/4 RGD-A	1.0500	14 Ga.	1/4-20 x 3/4"	600	100	13.8 lbs.
1 RGD-A	1.3150	14 Ga.	1/4-20 x 3/4"	600	100	15.6 lbs.
1-1/4 RGD-A	1.6600	14 Ga.	1/4-20 x 3/4"	600	100	19.1 lbs.
1-1/2 RGD-A	1.9000	12 Ga.	5/16-18 x 1"	800	50	29.6 lbs.
2 RGD-A	2.3750	12 Ga.	5/16-18 x 1"	800	50	33.6 lbs.
2-1/2 RGD-A	2.8750	12 Ga.	5/16-18 x 1"	800	50	37.2 lbs.
3 RGD-A	3.5000	12 Ga.	5/16-18 x 1"	800	50	44.6 lbs.
3-1/2 RGD-A	4.0000	11 Ga.	3/8-16 x 1-1/4"	1000	25	57.6 lbs.
4 RGD-A	4.5000	11 Ga.	3/8-16 x 1-1/4"	1000	25	62.8 lbs.
5 RGD-A	5.5630	11 Ga.	3/8-16 x 1-1/4"	1000	25	73.2 lbs.
6 RGD-A	6.6250	11 Ga.	3/8-16 x 1-1/4"	1000	25	97.6 lbs.
8 RGD-A	8.6250	11 Ga.	3/8-16 x 1-1/4"	1000	25	124.0 lbs.
10 RGD-A	10.7500	11 Ga.	3/8-16 x 1-1/4"	1000	25	143.2 lbs.
12 RGD-A	12.7500	11 Ga.	3/8-16 x 1-1/4"	1000	25	174.0 lbs.

	PLTD	SS304	SS316	ALUM	HDG	YLW	GRN	PLN
Stocked in	X	X	X	X	X			
Other Finishes Available by Special Order								

O.D. PIPE CLAMPS



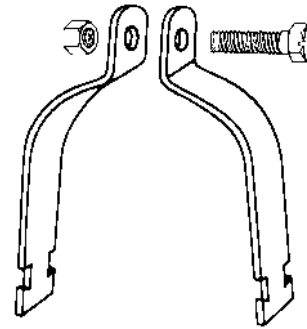
Tel: 1-800-399-3244

Tel: 1-330-399-3344

Fax: 1-330-399-3482

O.D. PIPING CLAMPS

- O.D. Tubing
- Transite Pipe
- Fibre Duct
- Ceramic Tubing



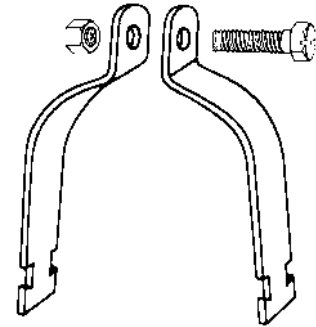
Sold in Pairs

Packed with Hardware in Bags of 25 pcs.

PART NUMBER	O.D. SIZE	MATERIAL THICKNESS	HARDWARE SIZE	LOAD RATINGS/ LBS	BOX QTY	WEIGHT/ 100 PRS	PL/TD	SS304	SS316	ALUMI	HDC	YLW	GRN	PLAIN
1/4 OD	1/4"	16 Ga.	1/4-20 x 3/4"	120	100	7.6 lbs.	X	X	X					
3/8 OD	3/8"	16 Ga.	1/4-20 x 3/4"	300	100	8.2 lbs.	X	X	X					
1/2 OD	1/2"	16 Ga.	1/4-20 x 3/4"	400	100	8.8 lbs.	X	X	X					
5/8 OD	5/8"	16 Ga.	1/4-20 x 3/4"	400	100	9.6 lbs.	X	X	X					
3/4 OD	3/4"	16 Ga.	1/4-20 x 3/4"	400	100	10.1 lbs.	X	X	X					
7/8 OD	7/8"	16 Ga.	1/4-20 x 3/4"	400	100	11.3 lbs.	X	X	X					
1 OD	1"	14 Ga.	1/4-20 x 3/4"	600	100	14.6 lbs.	X	X	X					
1-1/8 OD	1-1/8"	14 Ga.	1/4-20 x 3/4"	600	100	15.2 lbs.	X	X	X					
1-1/4 OD	1-1/4"	14 Ga.	1/4-20 x 3/4"	600	100	16.4 lbs.	X	X	X					
1-3/8 OD	1-3/8"	14 Ga.	1/4-20 x 3/4"	600	100	17.2 lbs.	X	X	X					
1-1/2 OD	1-1/2"	14 Ga.	1/4-20 x 3/4"	600	100	17.6 lbs.	X	X	X					
1-5/8 OD	1-5/8"	14 Ga.	1/4-20 x 3/4"	600	100	38.8 lbs.	X	X	X					
1-3/4 OD	1-3/4"	12 Ga.	5/16-18 x 1"	800	50	26.5 lbs.	X	X						
1-7/8 OD	1-7/8"	12 Ga.	5/16-18 x 1"	800	50	31.0 lbs.	X	X	X					
2 OD	2"	12 Ga.	5/16-18 x 1"	800	50	29.4 lbs.	X	X	X					
2-1/8 OD	2-1/8"	12 Ga.	5/16-18 x 1"	800	50	30.0 lbs.	X	X	X					
2-1/4 OD	2-1/4"	12 Ga.	5/16-18 x 1"	800	50	30.7 lbs.	X	X	X					
2-3/8 OD	2-3/8"	12 Ga.	5/16-18 x 1"	800	50	34.8 lbs.	X							
2-1/2 OD	2-1/2"	12 Ga.	5/16-18 x 1"	800	50	32.7 lbs.	X	X	X					
2-5/8 OD	2-5/8"	12 Ga.	5/16-18 x 1"	800	50	34.4 lbs.	X	X	X					
2-3/4 OD	2-3/4"	12 Ga.	5/16-18 x 1"	800	50	35.0 lbs.	X	X						
2-7/8 OD	2-7/8"	12 Ga.	5/16-18 x 1"	800	50	37.1 lbs.	X	X						
3 OD	3"	12 Ga.	5/16-18 x 1"	800	50	36.6 lbs.	X	X	X					
3-1/8 OD	3-1/8"	12 Ga.	5/16-18 x 1"	800	50	40.0 lbs.	X	X	X					
3-1/4 OD	3-1/4"	12 Ga.	5/16-18 x 1"	800	50	39.7 lbs.	X	X						
3-3/8 OD	3-3/8"	12 Ga.	5/16-18 x 1"	800	50	40.0 lbs.	X	X	X					
3-1/2 OD	3-1/2"	12 Ga.	5/16-18 x 1"	800	50	43.1 lbs.	X							
3-5/8 OD	3-5/8"	11 Ga.	3/8-16 x 1-1/4"	1000	25	52.6 lbs.	X	X	X					
3-3/4 OD	3-3/4"	11 Ga.	3/8-16 x 1-1/4"	1000	25	58.3 lbs.	X	X	X					
3-7/8 OD	3-7/8"	11 Ga.	3/8-16 x 1-1/4"	1000	25	56.6 lbs.	X	X	X					

O.D. PIPING CLAMPS

- O.D. Tubing
- Transite Pipe
- Fibre Duct
- Ceramic Tubing



Sold in Pairs

Packed with Hardware in Bags of 25 pcs.

PART NUMBER	O.D. SIZE	MATERIAL THICKNESS	HARDWARE SIZE	LOAD RATINGS/ LBS	BOX QTY	WEIGHT/ 100 PRS	PLTD	SS304	SS316	ALUM	HDG	YLW	GRN	PLAIN
4 OD	4"	11 Ga.	3/8-16 x 1-1/4"	1000	25	56.0 lbs.	X							
4-1/8 OD	4-1/8"	11 Ga.	3/8-16 x 1-1/4"	1000	25	58.3 lbs.	X	X	X					
4-1/4 OD	4-1/4"	11 Ga.	3/8-16 x 1-1/4"	1000	25	58.2 lbs.	X	X						
4-3/8 OD	4-3/8"	11 Ga.	3/8-16 x 1-1/4"	1000	25	60.5 lbs.	X	X	X					
4-1/2 OD	4-1/2"	11 Ga.	3/8-16 x 1-1/4"	1000	25	62.4 lbs.	X	X						
4-5/8 OD	4-5/8"	11 Ga.	3/8-16 x 1-1/4"	1000	25	62.5 lbs.	X	X	X					
4-3/4 OD	4-3/4"	11 Ga.	3/8-16 x 1-1/4"	1000	25	67.0 lbs.	X	X	X					
4-7/8 OD	4-7/8"	11 Ga.	3/8-16 x 1-1/4"	1000	25	64.7 lbs.	X	X	X					
5 OD	5"	11 Ga.	3/8-16 x 1-1/4"	1000	25	66.8 lbs.	X	X	X					
5-1/8 OD	5-1/8"	11 Ga.	3/8-16 x 1-1/4"	1000	25	70.4 lbs.	X	X						
5-1/4 OD	5-1/4"	11 Ga.	3/8-16 x 1-1/4"	1000	25	72.9 lbs.	X	X						
5-3/8 OD	5-3/8"	11 Ga.	3/8-16 x 1-1/4"	1000	25	73.7 lbs.	X		X					
5-1/2 OD	5-1/2"	11 Ga.	3/8-16 x 1-1/4"	1000	25	75.0 lbs.	X	X						
5-5/8 OD	5-5/8"	11 Ga.	3/8-16 x 1-1/4"	1000	25	76.4 lbs.	X							
5-3/4 OD	5-3/4"	11 Ga.	3/8-16 x 1-1/4"	1000	25	76.0 lbs.	X	X						
5-7/8 OD	5-7/8"	11 Ga.	3/8-16 x 1-1/4"	1000	25	78.6 lbs.	X							
6 OD	6"	11 Ga.	3/8-16 x 1-1/4"	1000	25	78.6 lbs.	X	X						
6-1/8 OD	6-1/8"	11 Ga.	3/8-16 x 1-1/4"	1000	25	80.5 lbs.	X	X						
6-1/4 OD	6-1/4"	11 Ga.	3/8-16 x 1-1/4"	1000	25	82.2 lbs.	X	X						
6-3/8 OD	6-3/8"	11 Ga.	3/8-16 x 1-1/4"	1000	25	84.1 lbs.	X	X						
6-1/2 OD	6-1/2"	11 Ga.	3/8-16 x 1-1/4"	1000	25	85.0 lbs.	X	X						
6-5/8 OD	6-5/8"	11 Ga.	3/8-16 x 1-1/4"	1000	25	84.5 lbs.	X							
6-3/4 OD	6-3/4"	11 Ga.	3/8-16 x 1-1/4"	1000	25	86.8 lbs.	X	X						
6-7/8 OD	6-7/8"	11 Ga.	3/8-16 x 1-1/4"	1000	25	88.2 lbs.	X	X	X					
7 OD	7"	11 Ga.	3/8-16 x 1-1/4"	1000	25	89.3 lbs.	X	X	X					
7-1/8 OD	7-1/8"	11 Ga.	3/8-16 x 1-1/4"	1000	25	90.0 lbs.	X	X						
7-1/4 OD	7-1/4"	11 Ga.	3/8-16 x 1-1/4"	1000	25	91.4 lbs.	X							
7-3/8 OD	7-3/8"	11 Ga.	3/8-16 x 1-1/4"	1000	25	91.1 lbs.	X							
7-1/2 OD	7-1/2"	11 Ga.	3/8-16 x 1-1/4"	1000	25	94.4 lbs.	X	X						
7-5/8 OD	7-5/8"	11 Ga.	3/8-16 x 1-1/4"	1000	25	95.5 lbs.	X	X						
7-3/4 OD	7-3/4"	11 Ga.	3/8-16 x 1-1/4"	1000	25	99.1 lbs.	X							
7-7/8 OD	7-7/8"	11 Ga.	3/8-16 x 1-1/4"	1000	25	98.8 lbs.	X		X					

O.D. PIPE CLAMPS



Tel: 1-800-399-3244

Tel: 1-330-399-3344

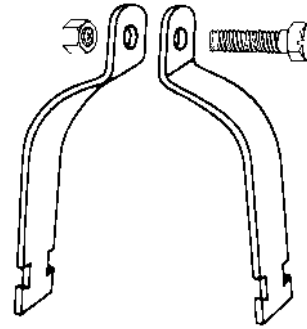
Fax: 1-330-399-3482

O.D. PIPING CLAMPS

- O.D. Tubing
- Transite Pipe
- Fibre Duct
- Ceramic Tubing

Sold in Pairs

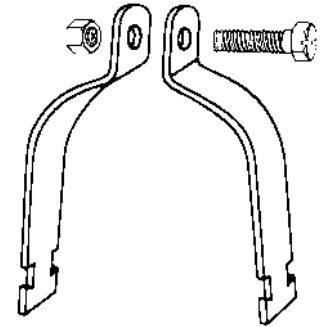
Packed with Hardware in Bags of 25 pcs.



PART NUMBER	O.D. SIZE	MATERIAL THICKNESS	HARDWARE SIZE	LOAD RATINGS/ LBS	BOX QTY	WEIGHT/ 100 PRS	PLTD	SS304	SS316	ALUM	HDC	YLW	GRN	PLAIN
8 OD	8"	11 Ga.	3/8-16 x 1-1/4"	1000	25	100.1 lbs.	X	X						
8-1/8 OD	8-1/8"	11 Ga.	3/8-16 x 1-1/4"	1000	25	102.2 lbs.	X	X	X					
8-1/4 OD	8-1/4"	11 Ga.	3/8-16 x 1-1/4"	1000	25	102.2 lbs.	X	X						
8-3/8 OD	8-3/8"	11 Ga.	3/8-16 x 1-1/4"	1000	25	103.1 lbs.	X	X						
8-1/2 OD	8-1/2"	11 Ga.	3/8-16 x 1-1/4"	1000	25	108.5 lbs.	X	X						
8-5/8 OD	8-5/8"	11 Ga.	3/8-16 x 1-1/4"	1000	25	105.7 lbs.	X							
8-3/4 OD	8-3/4"	11 Ga.	3/8-16 x 1-1/4"	1000	25	109.8 lbs.	X							
8-7/8 OD	8-7/8"	11 Ga.	3/8-16 x 1-1/4"	1000	25	109.4 lbs.	X							
9 OD	9"	11 Ga.	3/8-16 x 1-1/4"	1000	25	111.0 lbs.	X	X						
9-1/8 OD	9-1/8"	11 Ga.	3/8-16 x 1-1/4"	1000	25	112.5 lbs.	X							
9-1/4 OD	9-1/4"	11 Ga.	3/8-16 x 1-1/4"	1000	25	117.5 lbs.	X	X						
9-3/8 OD	9-3/8"	11 Ga.	3/8-16 x 1-1/4"	1000	25	114.8 lbs.	X							
9-1/2 OD	9-1/2"	11 Ga.	3/8-16 x 1-1/4"	1000	25	116.5 lbs.	X	X						
9-5/8 OD	9-5/8"	11 Ga.	3/8-16 x 1-1/4"	1000	25	122.4 lbs.	X							
9-3/4 OD	9-3/4"	11 Ga.	3/8-16 x 1-1/4"	1000	25	122.4 lbs.	X							
9-7/8 OD	9-7/8"	11 Ga.	3/8-16 x 1-1/4"	1000	25	123.2 lbs.	X							
10 OD	10"	11 Ga.	3/8-16 x 1-1/4"	1000	25	124.6 lbs.	X	X						
10-1/8 OD	10-1/8"	11 Ga.	3/8-16 x 1-1/4"	1000	25	126.0 lbs.	X	X						
10-1/4 OD	10-1/4"	11 Ga.	3/8-16 x 1-1/4"	1000	25	127.6 lbs.	X							
10-3/8 OD	10-3/8"	11 Ga.	3/8-16 x 1-1/4"	1000	25	128.5 lbs.	X							
10-1/2 OD	10-1/2"	11 Ga.	3/8-16 x 1-1/4"	1000	25	128.1 lbs.	X							
10-5/8 OD	10-5/8"	11 Ga.	3/8-16 x 1-1/4"	1000	25	128.6 lbs.	X	X						
10-3/4 OD	10-3/4"	11 Ga.	3/8-16 x 1-1/4"	1000	25	129.5 lbs.	X							
10-7/8 OD	10-7/8"	11 Ga.	3/8-16 x 1-1/4"	1000	25	130.1 lbs.	X							
11 OD	11"	11 Ga.	3/8-16 x 1-1/4"	1000	25	133.9 lbs.	X	X						
11-1/8 OD	11-1/8"	11 Ga.	3/8-16 x 1-1/4"	1000	25	133.1 lbs.	X							
11-1/4 OD	11-1/4"	11 Ga.	3/8-16 x 1-1/4"	1000	25	138.7 lbs.	X							
11-3/8 OD	11-3/8"	11 Ga.	3/8-16 x 1-1/4"	1000	25	155.0 lbs.	X							
11-1/2 OD	11-1/2"	11 Ga.	3/8-16 x 1-1/4"	1000	25	146.5 lbs.	X							
11-5/8 OD	11-5/8"	11 Ga.	3/8-16 x 1-1/4"	1000	25	141.1 lbs.	X							
11-3/4 OD	11-3/4"	11 Ga.	3/8-16 x 1-1/4"	1000	25	142.0 lbs.	X							
11-7/8 OD	11-7/8"	11 Ga.	3/8-16 x 1-1/4"	1000	25	143.5 lbs.	X							

O.D. PIPING CLAMPS

- O.D. Tubing
- Transite Pipe
- Fibre Duct
- Ceramic Tubing



Sold in Pairs

Packed with Hardware in Bags of 25 pcs.

PART NUMBER	O.D. SIZE	MATERIAL THICKNESS	HARDWARE SIZE	LOAD RATINGS/ LBS	BOX QTY	WEIGHT/ 100 PRS	PLTD	SS304	SS316	ALUM	HDC	YLW	GRN	PLAIN
12 OD	12"	11 Ga.	3/8-16 x 1-1/4"	1000	25	146.5 lbs.	X	X						
12-1/8 OD	12-1/8"	11 Ga.	3/8-16 x 1-1/4"	1000	25	147.5 lbs.	X							
12-1/4 OD	12-1/4"	11 Ga.	3/8-16 x 1-1/4"	1000	25	145.6 lbs.	X							
12-3/8 OD	12-3/8"	11 Ga.	3/8-16 x 1-1/4"	1000	25	145.5 lbs.	X							
12-1/2 OD	12-1/2"	11 Ga.	3/8-16 x 1-1/4"	1000	25	160.0 lbs.	X							
12-5/8 OD	12-5/8"	11 Ga.	3/8-16 x 1-1/4"	1000	25	152.8 lbs.	X							
12-3/4 OD	12-3/4"	11 Ga.	3/8-16 x 1-1/4"	1000	25	154.0 lbs.	X							
13 OD	13"	10 Ga.	3/8-16 x 1-1/2"	1000	25	175.2 lbs.	X	X						
14 OD	14"	10 Ga.	3/8-16 x 1-1/2"	1000	25	191.1 lbs.	X	X						
15 OD	15"	10 Ga.	3/8-16 x 1-1/2"	1000	25	202.1 lbs.	X							
16 OD	16"	10 Ga.	3/8-16 x 1-1/2"	1000	25	209.7 lbs.	X							
17 OD	17"	10 Ga.	3/8-16 x 1-1/2"	1000	25	228.3 lbs.	X							
18 OD	18"	10 Ga.	3/8-16 x 1-1/2"	1000	25	237.4 lbs.	X							
20 OD	20"	10 Ga.	3/8-16 x 1-1/2"	1000	25	259.4 lbs.	X							

O.D. PIPE CLAMPS



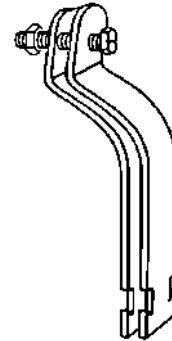
Tel: 1-800-399-3244

Tel: 1-330-399-3344

Fax: 1-330-399-3482

O.D. PIPING CLAMPS ASSEMBLED

- O.D. Tubing
- Transite Pipe
- Fibre Duct
- Ceramic Tubing



Sold in Pairs

Assembled - A Pair of Clamps Bolted Together

PART NUMBER	O.D. SIZE	MATERIAL THICKNESS	HARDWARE SIZE	LOAD RATINGS/ LBS	BOX QTY	WEIGHT/ 100 PRS	PLTD	SS304	SS316	ALUM	HDG	YLW	GRN	PLAIN
1/4 OD-A	1/4"	16 Ga.	1/4-20 x 3/4"	120	100	7.6 lbs.	X	X	X					
3/8 OD-A	3/8"	16 Ga.	1/4-20 x 3/4"	300	100	8.2 lbs.	X	X	X					
1/2 OD-A	1/2"	16 Ga.	1/4-20 x 3/4"	400	100	8.8 lbs.	X	X	X					
5/8 OD-A	5/8"	16 Ga.	1/4-20 x 3/4"	400	100	9.6 lbs.	X	X	X					
3/4 OD-A	3/4"	16 Ga.	1/4-20 x 3/4"	400	100	10.1 lbs.	X	X	X					
7/8 OD-A	7/8"	16 Ga.	1/4-20 x 3/4"	400	100	11.3 lbs.	X	X	X					
1 OD-A	1"	14 Ga.	1/4-20 x 3/4"	600	100	14.6 lbs.	X	X	X					
1-1/8 OD-A	1-1/8"	14 Ga.	1/4-20 x 3/4"	600	100	15.2 lbs.	X	X	X					
1-1/4 OD-A	1-1/4"	14 Ga.	1/4-20 x 3/4"	600	100	16.4 lbs.	X	X	X					
1-3/8 OD-A	1-3/8"	14 Ga.	1/4-20 x 3/4"	600	100	17.2 lbs.	X	X	X					
1-1/2 OD-A	1-1/2"	14 Ga.	1/4-20 x 3/4"	600	100	17.6 lbs.	X	X	X					
1-5/8 OD-A	1-5/8"	14 Ga.	1/4-20 x 3/4"	600	50	38.8 lbs.	X	X	X					
1-3/4 OD-A	1-3/4"	12 Ga.	5/16-18 x 1"	800	50	26.5 lbs.	X	X						
1-7/8 OD-A	1-7/8"	12 Ga.	5/16-18 x 1"	800	50	31.0 lbs.	X	X	X					
2 OD-A	2"	12 Ga.	5/16-18 x 1"	800	50	29.4 lbs.	X	X	X					
2-1/8 OD-A	2-1/8"	12 Ga.	5/16-18 x 1"	800	50	30.0 lbs.	X	X	X					
2-1/4 OD-A	2-1/4"	12 Ga.	5/16-18 x 1"	800	50	30.7 lbs.	X	X	X					
2-3/8 OD-A	2-3/8"	12 Ga.	5/16-18 x 1"	800	50	34.8 lbs.	X							
2-1/2 OD-A	2-1/2"	12 Ga.	5/16-18 x 1"	800	50	32.7 lbs.	X	X	X					
2-5/8 OD-A	2-5/8"	12 Ga.	5/16-18 x 1"	800	50	34.4 lbs.	X	X	X					
2-3/4 OD-A	2-3/4"	12 Ga.	5/16-18 x 1"	800	50	35.0 lbs.	X	X						
2-7/8 OD-A	2-7/8"	12 Ga.	5/16-18 x 1"	800	50	37.1 lbs.	X	X						
3 OD-A	3"	12 Ga.	5/16-18 x 1"	800	50	36.6 lbs.	X	X	X					
3-1/8 OD-A	3-1/8"	12 Ga.	5/16-18 x 1"	800	50	40.0 lbs.	X	X	X					
3-1/4 OD-A	3-1/4"	12 Ga.	5/16-18 x 1"	800	50	39.7 lbs.	X	X						
3-3/8 OD-A	3-3/8"	12 Ga.	5/16-18 x 1"	800	50	40.0 lbs.	X	X	X					
3-1/2 OD-A	3-1/2"	12 Ga.	5/16-18 x 1"	800	50	43.1 lbs.	X							
3-5/8 OD-A	3-5/8"	11 Ga.	3/8-16 x 1-1/4"	1000	25	52.6 lbs.	X	X	X					
3-3/4 OD-A	3-3/4"	11 Ga.	3/8-16 x 1-1/4"	1000	25	58.3 lbs.	X	X	X					
3-7/8 OD-A	3-7/8"	11 Ga.	3/8-16 x 1-1/4"	1000	25	56.6 lbs.	X	X	X					

O.D. PIPING CLAMPS ASSEMBLED

- O.D. Tubing
- Transite Pipe
- Fibre Duct
- Ceramic Tubing



Sold in Pairs

Assembled - A Pair of Clamps Bolted Together

PART NUMBER	O.D. SIZE	MATERIAL THICKNESS	HARDWARE SIZE	LOAD RATINGS/ LBS	BOX QTY	WEIGHT/ 100 PRS	PLTD	SS304	SS316	ALUM	HDG	YLW	GRN	PLAIN
4 OD-A	4"	11 Ga.	3/8-16 x 1-1/4"	1000	25	56.0 lbs.	X							
4-1/8 OD-A	4-1/8"	11 Ga.	3/8-16 x 1-1/4"	1000	25	58.3 lbs.	X	X	X					
4-1/4 OD-A	4-1/4"	11 Ga.	3/8-16 x 1-1/4"	1000	25	58.2 lbs.	X	X						
4-3/8 OD-A	4-3/8"	11 Ga.	3/8-16 x 1-1/4"	1000	25	60.5 lbs.	X	X	X					
4-1/2 OD-A	4-1/2"	11 Ga.	3/8-16 x 1-1/4"	1000	25	62.4 lbs.	X	X						
4-5/8 OD-A	4-5/8"	11 Ga.	3/8-16 x 1-1/4"	1000	25	62.5 lbs.	X	X	X					
4-3/4 OD-A	4-3/4"	11 Ga.	3/8-16 x 1-1/4"	1000	25	67.0 lbs.	X	X	X					
4-7/8 OD-A	4-7/8"	11 Ga.	3/8-16 x 1-1/4"	1000	25	64.7 lbs.	X	X	X					
5 OD-A	5"	11 Ga.	3/8-16 x 1-1/4"	1000	25	66.8 lbs.	X	X	X					
5-1/8 OD-A	5-1/8"	11 Ga.	3/8-16 x 1-1/4"	1000	25	70.4 lbs.	X	X						
5-1/4 OD-A	5-1/4"	11 Ga.	3/8-16 x 1-1/4"	1000	25	72.9 lbs.	X	X						
5-3/8 OD-A	5-3/8"	11 Ga.	3/8-16 x 1-1/4"	1000	25	73.7 lbs.	X		X					
5-1/2 OD-A	5-1/2"	11 Ga.	3/8-16 x 1-1/4"	1000	25	75.0 lbs.	X	X						
5-5/8 OD-A	5-5/8"	11 Ga.	3/8-16 x 1-1/4"	1000	25	76.4 lbs.	X							
5-3/4 OD-A	5-3/4"	11 Ga.	3/8-16 x 1-1/4"	1000	25	76.0 lbs.	X	X						
5-7/8 OD-A	5-7/8"	11 Ga.	3/8-16 x 1-1/4"	1000	25	78.6 lbs.	X							
6 OD-A	6"	11 Ga.	3/8-16 x 1-1/4"	1000	25	78.6 lbs.	X	X						
6-1/8 OD-A	6-1/8"	11 Ga.	3/8-16 x 1-1/4"	1000	25	80.5 lbs.	X	X						
6-1/4 OD-A	6-1/4"	11 Ga.	3/8-16 x 1-1/4"	1000	25	82.2 lbs.	X	X						
6-3/8 OD-A	6-3/8"	11 Ga.	3/8-16 x 1-1/4"	1000	25	84.1 lbs.	X	X						
6-1/2 OD-A	6-1/2"	11 Ga.	3/8-16 x 1-1/4"	1000	25	85.0 lbs.	X	X						
6-5/8 OD-A	6-5/8"	11 Ga.	3/8-16 x 1-1/4"	1000	25	84.5 lbs.	X							
6-3/4 OD-A	6-3/4"	11 Ga.	3/8-16 x 1-1/4"	1000	25	86.8 lbs.	X	X						
6-7/8 OD-A	6-7/8"	11 Ga.	3/8-16 x 1-1/4"	1000	25	88.2 lbs.	X	X	X					
7 OD-A	7"	11 Ga.	3/8-16 x 1-1/4"	1000	25	89.3 lbs.	X	X	X					
7-1/8 OD-A	7-1/8"	11 Ga.	3/8-16 x 1-1/4"	1000	25	90.0 lbs.	X	X						
7-1/4 OD-A	7-1/4"	11 Ga.	3/8-16 x 1-1/4"	1000	25	91.4 lbs.	X							
7-3/8 OD-A	7-3/8"	11 Ga.	3/8-16 x 1-1/4"	1000	25	91.1 lbs.	X							
7-1/2 OD-A	7-1/2"	11 Ga.	3/8-16 x 1-1/4"	1000	25	94.4 lbs.	X	X						
7-5/8 OD-A	7-5/8"	11 Ga.	3/8-16 x 1-1/4"	1000	25	95.5 lbs.	X	X						
7-3/4 OD-A	7-3/4"	11 Ga.	3/8-16 x 1-1/4"	1000	25	99.1 lbs.	X							
7-7/8 OD-A	7-7/8"	11 Ga.	3/8-16 x 1-1/4"	1000	25	98.8 lbs.	X		X					

O.D. PIPE CLAMPS



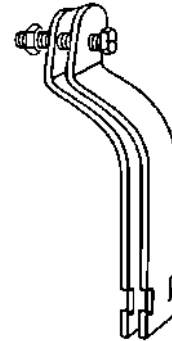
Tel: 1-800-399-3244

Tel: 1-330-399-3344

Fax: 1-330-399-3482

O.D. PIPING CLAMPS ASSEMBLED

- O.D. Tubing
- Transite Pipe
- Fibre Duct
- Ceramic Tubing



Sold in Pairs

Assembled - A Pair of Clamps Bolted Together

PART NUMBER	O.D. SIZE	MATERIAL THICKNESS	HARDWARE SIZE	LOAD RATINGS/ LBS	BOX QTY	WEIGHT/ 100 PRS	PLTD	SS304	SS316	ALUM	HDC	YLW	GRN	PLAIN
8 OD-A	8"	11 Ga.	3/8-16 x 1-1/4"	1000	25	100.1 lbs.	X	X						
8-1/8 OD-A	8-1/8"	11 Ga.	3/8-16 x 1-1/4"	1000	25	102.2 lbs.	X	X	X					
8-1/4 OD-A	8-1/4"	11 Ga.	3/8-16 x 1-1/4"	1000	25	102.2 lbs.	X	X						
8-3/8 OD-A	8-3/8"	11 Ga.	3/8-16 x 1-1/4"	1000	25	103.1 lbs.	X	X						
8-1/2 OD-A	8-1/2"	11 Ga.	3/8-16 x 1-1/4"	1000	25	108.5 lbs.	X	X						
8-5/8 OD-A	8-5/8"	11 Ga.	3/8-16 x 1-1/4"	1000	25	105.7 lbs.	X							
8-3/4 OD-A	8-3/4"	11 Ga.	3/8-16 x 1-1/4"	1000	25	109.8 lbs.	X							
8-7/8 OD-A	8-7/8"	11 Ga.	3/8-16 x 1-1/4"	1000	25	109.4 lbs.	X							
9 OD-A	9"	11 Ga.	3/8-16 x 1-1/4"	1000	25	111.0 lbs.	X	X						
9-1/8 OD-A	9-1/8"	11 Ga.	3/8-16 x 1-1/4"	1000	25	112.5 lbs.	X							
9-1/4 OD-A	9-1/4"	11 Ga.	3/8-16 x 1-1/4"	1000	25	117.5 lbs.	X	X						
9-3/8 OD-A	9-3/8"	11 Ga.	3/8-16 x 1-1/4"	1000	25	114.8 lbs.	X							
9-1/2 OD-A	9-1/2"	11 Ga.	3/8-16 x 1-1/4"	1000	25	116.5 lbs.	X	X						
9-5/8 OD-A	9-5/8"	11 Ga.	3/8-16 x 1-1/4"	1000	25	122.4 lbs.	X							
9-3/4 OD-A	9-3/4"	11 Ga.	3/8-16 x 1-1/4"	1000	25	122.4 lbs.	X							
9-7/8 OD-A	9-7/8"	11 Ga.	3/8-16 x 1-1/4"	1000	25	123.2 lbs.	X							
10 OD-A	10"	11 Ga.	3/8-16 x 1-1/4"	1000	25	124.6 lbs.	X	X						
10-1/8 OD-A	10-1/8"	11 Ga.	3/8-16 x 1-1/4"	1000	25	126.0 lbs.	X	X						
10-1/4 OD-A	10-1/4"	11 Ga.	3/8-16 x 1-1/4"	1000	25	127.6 lbs.	X							
10-3/8 OD-A	10-3/8"	11 Ga.	3/8-16 x 1-1/4"	1000	25	128.5 lbs.	X							
10-1/2 OD-A	10-1/2"	11 Ga.	3/8-16 x 1-1/4"	1000	25	128.1 lbs.	X							
10-5/8 OD-A	10-5/8"	11 Ga.	3/8-16 x 1-1/4"	1000	25	128.6 lbs.	X	X						
10-3/4 OD-A	10-3/4"	11 Ga.	3/8-16 x 1-1/4"	1000	25	129.5 lbs.	X							
10-7/8 OD-A	10-7/8"	11 Ga.	3/8-16 x 1-1/4"	1000	25	130.1 lbs.	X							
11 OD-A	11"	11 Ga.	3/8-16 x 1-1/4"	1000	25	133.9 lbs.	X	X						
11-1/8 OD-A	11-1/8"	11 Ga.	3/8-16 x 1-1/4"	1000	25	133.1 lbs.	X							
11-1/4 OD-A	11-1/4"	11 Ga.	3/8-16 x 1-1/4"	1000	25	138.7 lbs.	X							
11-3/8 OD-A	11-3/8"	11 Ga.	3/8-16 x 1-1/4"	1000	25	155.0 lbs.	X							
11-1/2 OD-A	11-1/2"	11 Ga.	3/8-16 x 1-1/4"	1000	25	146.5 lbs.	X							
11-5/8 OD-A	11-5/8"	11 Ga.	3/8-16 x 1-1/4"	1000	25	141.1 lbs.	X							
11-3/4 OD-A	11-3/4"	11 Ga.	3/8-16 x 1-1/4"	1000	25	142.0 lbs.	X							
11-7/8 OD-A	11-7/8"	11 Ga.	3/8-16 x 1-1/4"	1000	25	143.5 lbs.	X							

O.D. PIPING CLAMPS ASSEMBLED

- O.D. Tubing
- Transite Pipe
- Fibre Duct
- Ceramic Tubing



Sold in Pairs

Assembled - A Pair of Clamps Bolted Together

PART NUMBER	O.D. SIZE	MATERIAL THICKNESS	HARDWARE SIZE	LOAD RATINGS/ LBS	BOX QTY	WEIGHT/ 100 PRS	PLTD	SS304	SS316	ALUM	HDG	YLW	GRN	PLAIN
12 OD-A	12"	11 Ga.	3/8-16 x 1-1/4"	1000	25	146.5 lbs.	X	X						
12-1/8 OD-A	12-1/8"	11 Ga.	3/8-16 x 1-1/4"	1000	25	147.5 lbs.	X							
12-1/4 OD-A	12-1/4"	11 Ga.	3/8-16 x 1-1/4"	1000	25	145.6 lbs.	X							
12-3/8 OD-A	12-3/8"	11 Ga.	3/8-16 x 1-1/4"	1000	25	145.5 lbs.	X							
12-1/2 OD-A	12-1/2"	11 Ga.	3/8-16 x 1-1/4"	1000	25	160.0 lbs.	X							
12-5/8 OD-A	12-5/8"	11 Ga.	3/8-16 x 1-1/4"	1000	25	152.8 lbs.	X							
12-3/4 OD-A	12-3/4"	11 Ga.	3/8-16 x 1-1/4"	1000	25	154.0 lbs.	X							
13 OD-A	13"	10 Ga.	3/8-16 x 1-1/2"	1000	25	175.2 lbs.	X	X						
14 OD-A	14"	10 Ga.	3/8-16 x 1-1/2"	1000	25	191.1 lbs.	X	X						
15 OD-A	15"	10 Ga.	3/8-16 x 1-1/2"	1000	25	202.1 lbs.	X							
16 OD-A	16"	10 Ga.	3/8-16 x 1-1/2"	1000	25	209.7 lbs.	X							
17 OD-A	17"	10 Ga.	3/8-16 x 1-1/2"	1000	25	228.3 lbs.	X							
18 OD-A	18"	10 Ga.	3/8-16 x 1-1/2"	1000	25	237.4 lbs.	X							
20 OD-A	20"	10 Ga.	3/8-16 x 1-1/2"	1000	25	259.4 lbs.	X							

COPPER O.D. PIPE CLAMPS



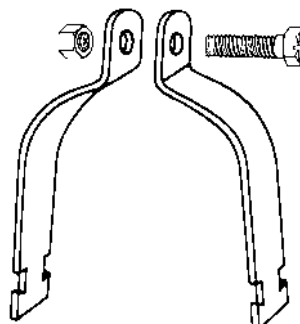
Tel: 1-800-399-3244
Tel: 1-330-399-3344
Fax: 1-330-399-3482

COPPER O.D. PIPE CLAMPS

Copper Tubing Type L & K

Sold in Pairs

Packed with Hardware in Bags of 25 pcs.



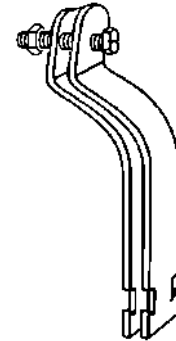
PART NUMBER	O.D. SIZE	CT SIZE	MATERIAL THICKNESS	HARDWARE SIZE	LOAD RATINGS/ LBS	BOX QTY	WEIGHT/ 100 PRS
3/8 OD CPR	3/8"	1/4"	16 Ga.	1/4-20 x 3/4"	300	100	8.1 lbs.
1/2 OD CPR	1/2"	3/8"	16 Ga.	1/4-20 x 3/4"	400	100	8.4 lbs.
5/8 OD CPR	5/8"	1/2"	16 Ga.	1/4-20 x 3/4"	400	100	9.1 lbs.
7/8 OD CPR	7/8"	3/4"	16 Ga.	1/4-20 x 3/4"	400	100	11.4 lbs.
1-1/8 OD CPR	1-1/8"	1"	14 Ga.	1/4-20 x 3/4"	600	100	14.9 lbs.
1-3/8 OD CPR	1-3/8"	1-1/4"	14 Ga.	1/4-20 x 3/4"	600	100	16.9 lbs.
1-5/8 OD CPR	1-5/8"	1-1/2"	14 Ga.	1/4-20 x 3/4"	600	50	20.2 lbs.
2-1/8 OD CPR	2-1/8"	2"	12 Ga.	5/16-18 x 1"	800	50	30.0 lbs.
2-5/8 OD CPR	2-5/8"	2-1/2"	12 Ga.	5/16-18 x 1"	800	50	35.6 lbs.
3-1/8 OD CPR	3-1/8"	3"	12 Ga.	5/16-18 x 1"	800	50	38.6 lbs.
3-5/8 OD CPR	3-5/8"	3-1/2"	11 Ga.	3/8-16 x 1-1/4"	1000	25	57.2 lbs.
4-1/8 OD CPR	4-1/8"	4"	11 Ga.	3/8-16 x 1-1/4"	1000	25	64.0 lbs.
5-1/8 OD CPR	5-1/8"	5"	11 Ga.	3/8-16 x 1-1/4"	1000	25	76.0 lbs.
6-1/8 OD CPR	6-1/8"	6"	11 Ga.	3/8-16 x 1-1/4"	1000	25	92.0 lbs.
8-1/8 OD CPR	8-1/8"	8"	11 Ga.	3/8-16 x 1-1/4"	1000	25	120.0 lbs.

COPPER O.D. PIPE CLAMPS – ASSEMBLED

Copper Tubing Type L & K

Sold in Pairs

Assembled - A Pair of Clamps Bolted Together



PART NUMBER	O.D. SIZE	CT SIZE	MATERIAL THICKNESS	HARDWARE SIZE	LOAD RATINGS/ LBS	BOX QTY	WEIGHT/ 100 PRS
3/8 OD-A CPR	3/8"	1/4"	16 Ga.	1/4-20 x 3/4"	300	100	8.1 lbs.
1/2 OD-A CPR	1/2"	3/8"	16 Ga.	1/4-20 x 3/4"	400	100	8.4 lbs.
5/8 OD-A CPR	5/8"	1/2"	16 Ga.	1/4-20 x 3/4"	400	100	9.1 lbs.
7/8 OD-A CPR	7/8"	3/4"	16 Ga.	1/4-20 x 3/4"	400	100	11.4 lbs.
1-1/8 OD-A CPR	1-1/8"	1"	14 Ga.	1/4-20 x 3/4"	600	100	14.9 lbs.
1-3/8 OD-A CPR	1-3/8"	1-1/4"	14 Ga.	1/4-20 x 3/4"	600	100	16.9 lbs.
1-5/8 OD-A CPR	1-5/8"	1-1/2"	14 Ga.	1/4-20 x 3/4"	600	50	20.2 lbs.
2-1/8 OD-A CPR	2-1/8"	2"	12 Ga.	5/16-18 x 1"	800	50	30.0 lbs.
2-5/8 OD-A CPR	2-5/8"	2-1/2"	12 Ga.	5/16-18 x 1"	800	50	35.6 lbs.
3-1/8 OD-A CPR	3-1/8"	3"	12 Ga.	5/16-18 x 1"	800	50	38.6 lbs.
3-5/8 OD-A CPR	3-5/8"	3-1/2"	11 Ga.	3/8-16 x 1-1/4"	1000	25	57.2 lbs.
4-1/8 OD-A CPR	4-1/8"	4"	11 Ga.	3/8-16 x 1-1/4"	1000	25	64.0 lbs.
5-1/8 OD-A CPR	5-1/8"	5"	11 Ga.	3/8-16 x 1-1/4"	1000	25	76.0 lbs.
6-1/8 OD-A CPR	6-1/8"	6"	11 Ga.	3/8-16 x 1-1/4"	1000	25	92.0 lbs.
8-1/8 OD-A CPR	8-1/8"	8"	11 Ga.	3/8-16 x 1-1/4"	1000	25	120.0 lbs.

MISCELANEOUS PIPE CLAMPS

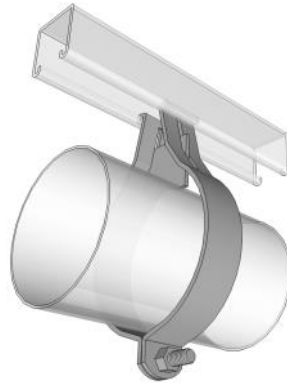


Tel: 1-800-399-3244

Tel: 1-330-399-3344

Fax: 1-330-399-3482

PR-3138 Series Parallel Run Pipe Clamp



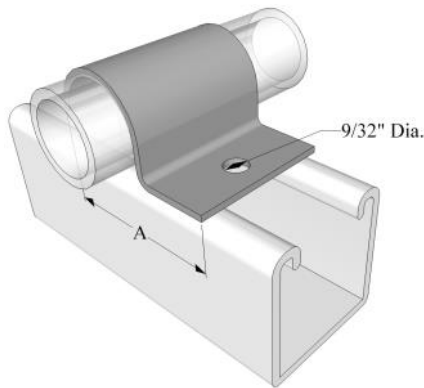
PART NUMBER	BOX QTY	WEIGHT/100 PRS
PR-3138-1/2	25	24 lbs.
PR-3138-3/4	25	32 lbs.
PR-3138-1	25	33.2 lbs.
PR-3138-1-1/4	25	38 lbs.
PR-3138-1-1/2	25	50 lbs.
PR-3138-2	25	56.4 lbs.
PR-3138-3	25	60 lbs.
PR-3138-4	25	68 lbs.

Includes:

- One Pair Pipe Clamps
- One Stand Off Plate
- One Combination Head Machine Screw
- One Hex Nut

	PLTD	SS304	SS316	ALUM	HDG	YLW	GRN	PLN
Stocked in	X							
Other Finishes Available by Special Order								

OH-1450 Series One Hole 14 Ga. Clamps for OD Tubing 9/32" Mounting Hole

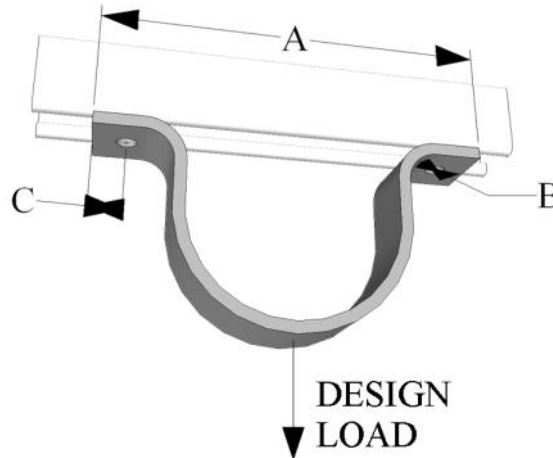


PART NUMBER	'A'	THICKNESS	BOX QTY	WEIGHT/100 PCS
OH-1450-1/4 OD	1-5/64"	14 Ga.	100	4 lbs.
OH-1450-5/16 OD	1-7/64"		100	5 lbs.
OH-1450-3/8 OD	1-3/16"		100	6 lbs.
OH-1450-1/2 OD	1-1/8"		100	8 lbs.
OH-1450-5/8 OD	1-27/64"		100	9 lbs.
OH-1450-3/4 OD	1-37/64"		100	10 lbs.
OH-1450-7/8 OD	1-5/8"		100	11 lbs.
OH-1450-1 OD	1-15/16"		100	11 lbs.

	PLTD	SS304	SS316	ALUM	HDG	YLW	GRN	PLN
Stocked in	X	X						
Other Finishes Available by Special Order								

HD-3126 Series

Two Hole Hold Down Clamp
for Iron Pipe and Rigid Conduit



PART NUMBER	PIPE SIZE	'A'	'B'	'C'	MATERIAL SIZE	DESIGN LOAD	BOX QTY	WEIGHT/ 100 PCS	PLTD	SS304	SS316	ALUM	HDG	YLW	GRN	PLAIN
HD-3126-1/2	1/2"	2-7/8"	9/32"	7/16"	1/8" x 1-5/8"	500	25	23 lbs.	X	X	X		X			
HD-3126-3/4	3/4"	3-1/16"	9/32"	7/16"	1/8" x 1-5/8"	500	25	26 lbs.	X	X	X		X			
HD-3126-1	1"	3-1/2"	9/32"	7/16"	1/8" x 1-5/8"	500	25	31 lbs.	X	X	X		X			
HD-3126-1-1/4	1-1/4"	3-13/16"	9/32"	7/16"	1/8" x 1-5/8"	500	25	35 lbs.	X	X	X		X			
HD-3126-1-1/2	1-1/2"	3-15/16"	9/32"	7/16"	1/8" x 1-5/8"	500	25	39 lbs.	X	X	X		X			
HD-3126-2	2"	5-11/16"	7/16"	11/16"	1/4" x 1-5/8"	1000	10	94 lbs.	X	X	X		X			
HD-3126-2-1/2	2-1/2"	6-3/16"	7/16"	11/16"	1/4" x 1-5/8"	1000	10	114 lbs.	X	X	X		X			
HD-3126-3	3"	6-11/16"	7/16"	11/16"	1/4" x 1-5/8"	1000	10	133 lbs.	X	X	X		X			
HD-3126-3-1/2	3-1/2"	7-13/16"	7/16"	11/16"	1/4" x 1-5/8"	1000	10	152 lbs.	X	X	X		X			
HD-3126-4	4"	8"	7/16"	11/16"	1/4" x 1-5/8"	1000	10	176 lbs.	X	X	X		X			
HD-3126-5	5"	9"	7/16"	11/16"	1/4" x 1-5/8"	1000	10	198 lbs.	X	X	X		X			
HD-3126-6	6"	10-1/8"	7/16"	11/16"	1/4" x 1-5/8"	1000	10	225 lbs.	X	X	X		X			
HD-3126-8	8"	12-11/16"	11/16"	3/4"	1/4" x 1-5/8"	1000	5	300 lbs.	X	X	X					
HD-3126-10	10"	14-7/8"	11/16"	3/4"	1/4" x 2"	1000	5	448 lbs.	X	X						
HD-3126-12	12"	16-13/16"	11/16"	3/4"	1/4" x 2"	1000	5	560 lbs.	X							
HD-3126-14	14"	18"	11/16"	3/4"	1/4" x 2"	1000		525 lbs.	X							
HD-3126-16	16"	20"	11/16"	3/4"	1/4" x 2"	1000		595 lbs.	X							
HD-3126-18	18"	22"	11/16"	13/16"	1/4" x 2"	1000		700 lbs.	X							
HD-3126-20	20"	24-1/4"	11/16"	13/16"	3/8" x 2"	2000		1100 lbs.	X							

Other Finishes Available
by Special Order

CUSHION CLAMPS



Tel: 1-800-399-3244

Tel: 1-330-399-3344

Fax: 1-330-399-3482

CC1400-Series

Tube Series Cushion Clamps Thermoplastic
Insulating Liner Welded Stud/Nylok Nut

Service Temperature -65°F to 300°F

Individually Packaged

Made in the USA



PART NUMBER	CUSHION I.D.	BOX QTY	WEIGHT/ 100 PCS	PLTD	SS304	SS316	ALUM	HDG	YLW	GRN	PLAIN
CC1400-1/4 OD	0.25	25	10.0 lbs.	X	X	X					
CC1400-5/16 OD	0.31	25	10.8 lbs.	X							
CC1400-3/8 OD	0.37	25	10.8 lbs.	X	X	X					
CC1400-1/2 OD	0.50	25	11.7 lbs.	X	X	X					
CC1400-5/8 OD	0.62	25	12.9 lbs.	X	X	X					
CC-1400-3/4 OD	0.75	25	20.0 lbs.	X	X	X					
CC-1400-7/8 OD	0.87	25	20.8 lbs.	X	X	X					
CC-1400-1 OD	1.00	25	27.5 lbs.	X	X	X					
CC-1400-1-1/8 OD	1.12	25	29.2 lbs.	X	X	X					
CC1400-1-1/4 OD	1.25	10	30.8 lbs.	X	X	X					
CC1400-1-3/8 OD	1.37	10	40.0 lbs.	X	X	X					
CC1400-1-1/2 OD	1.50	10	40.0 lbs.	X	X	X					
CC1400-1-5/8 OD	1.62	10	45.0 lbs.	X	X	X					
CC1400-1-3/4 OD	1.75	10	43.3 lbs.	X							
CC1400-1-7/8 OD	1.87	10	41.9 lbs.	X							
CC1400-2 OD	2.00	10	48.3 lbs.	X	X	X					
CC1400-2-1/8 OD	2.12	10	53.0 lbs.	X	X	X					
CC1400-2-1/4 OD	2.25	10	60.0 lbs.	X							
CC1400-2-3/8 OD	2.37	10	56.0 lbs.	X							
CC1400-2-1/2 OD	2.50	10	53.0 lbs.	X							
CC1400-2-5/8 OD	2.62	10	53.0 lbs.	X	X	X					
CC1400-3 OD	3.00	5	65.0 lbs.	X							
CC1400-3-1/8 OD	3.12	5	63.0 lbs.	X	X	X					
CC1400-3-5/8 OD	3.62	5	78.0 lbs.	X							
CC1400-4 OD	4.00	5	102.2 lbs.	X							
CC1400-4-1/8 OD	4.12	5	106.4 lbs.	X	X	X					
CC1400-6-1/8 OD	6.12	5	120.0 lbs.	X							

Registered Trademark of Hydra-Zorb Company Auburn Hills, MI

MATERIAL WIDTH: 1-5/8" THICKNESS: 1/4" HOLE DIAMETER: 9/16" HOLE SPACING: 1-7/8" HOLE CENTER FROM EDGE: 13/16"

RF1400 Series

Tube Series Cushion Clamps
 Thermoplastic Insulating Liner
 Welded Stud/Nylon Nut



Service Temperature –65°F to 300°F
 Imported

PART NUMBER	CUSHION I.D.	BOX QTY	WEIGHT/ 100 PCS	PLTD	SS304	SS316	ALUM	HDG	YLW	GRN	PLAIN
RF1400-1/4 OD	0.25	25	10.0 lbs.	X							
RF1400-5/16 OD	0.31	25	10.8 lbs.	X							
RF1400-3/8 OD	0.37	25	10.8 lbs.	X							
RF1400-1/2 OD	0.50	25	11.7 lbs.	X							
RF1400-5/8 OD	0.62	25	12.9 lbs.	X							
RF-1400-3/4 OD	0.75	25	20.0 lbs.	X							
RF-1400-7/8 OD	0.87	25	20.8 lbs.	X							
RF-1400-1 OD	1.00	25	27.5 lbs.	X							
RF-1400-1-1/8 OD	1.12	25	29.2 lbs.	X							
RF1400-1-1/4 OD	1.25	10	30.8 lbs.	X							
RF1400-1-3/8 OD	1.37	10	40.0 lbs.	X							
RF1400-1-1/2 OD	1.50	10	40.0 lbs.	X							
RF1400-1-5/8 OD	1.62	10	45.0 lbs.	X							
RF1400-1-3/4 OD	1.75	10	43.3 lbs.	X							
RF1400-1-7/8 OD	1.87	10	41.9 lbs.	X							
RF1400-2 OD	2.00	10	48.3 lbs.	X							
RF1400-2-1/8 OD	2.12	10	53.0 lbs.	X							
RF1400-2-1/4 OD	2.25	10	60.0 lbs.	X							
RF1400-2-3/8 OD	2.37	10	56.0 lbs.	X							
RF1400-2-1/2 OD	2.50	10	53.0 lbs.	X							
RF1400-2-5/8 OD	2.62	10	53.0 lbs.	X							
RF1400-3 OD	3.00	5	65.0 lbs.	X							
RF1400-3-1/8 OD	3.12	5	63.0 lbs.	X							
RF1400-3-5/8 OD	3.62	5	78.0 lbs.	X							
RF1400-4-1/8 OD	4.12	5	106.4 lbs.	X							

CUSHION CLAMPS



Tel: 1-800-399-3244

Tel: 1-330-399-3344

Fax: 1-330-399-3482

CC1410-Series

Pipe Series Cushion Clamps Thermoplastic
Insulating Liner Welded Stud/Nylok Nut

Service Temperature -65°F to 300°F

Individually Packaged

Made in the USA



PART NUMBER	CUSHION I.D.	BOX QTY	WEIGHT/ 100 PCS	PLTD	SS304	SS316	ALUM	HDG	YLW	GRN	PLAIN
CC1410-1/4	0.54	25	12.1 lbs.	X							
CC1410-3/8	0.67	25	13.8 lbs.	X							
CC1410-1/2	0.84	25	20.8 lbs.	X	X						
CC1410-3/4	1.05	25	29.2 lbs.	X	X						
CC1410-1	1.31	25	40.8 lbs.	X	X						
CC1410-1-1/4	1.66	10	45.0 lbs.	X	X						
CC1410-1-1/2	1.90	10	49.2 lbs.	X	X						
CC1410-2	2.37	10	56.0 lbs.	X	X						
CC1410-2-1/2	2.87	10	60.0 lbs.	X	X						
CC1410-3	3.50	10	77.0 lbs.	X	X						
CC1410-3-1/2	4.00	5	97.9 lbs.	X							
CC1410-4	4.50	5	110.0 lbs.	X	X						
CC1410-5	5.56	5	130.0 lbs.	X							
CC1410-6	6.62	5	140.0 lbs.	X							

Registered Trademark of Hydra-Zorb Company Auburn Hills, MI

RF1410 Series

Pipe Series Cushion Clamps
 Thermoplastic Insulating Liner
 Welded Stud/Nylok Nut



Service Temperature -65°F to 300°F
 Individually Packaged
 Imported

PART NUMBER	CUSHION I.D.	BOX QTY	WEIGHT/ 100 PCS	PLTD	SS304	SS316	ALUM	HDC	YLW	GRN	PLAIN
RF1410-1/4	0.54	25	12.1 lbs.	X							
RF1410-3/8	0.67	25	13.8 lbs.	X							
RF1410-1/2	0.84	25	20.8 lbs.	X							
RF1410-3/4	1.05	25	29.2 lbs.	X							
RF1410-1	1.31	25	40.8 lbs.	X							
RF1410-1-1/4	1.66	10	45.0 lbs.	X							
RF1410-1-1/2	1.90	10	49.2 lbs.	X							
RF1410-2	2.37	10	56.0 lbs.	X							
RF1410-2-1/2	2.87	10	60.0 lbs.	X							
RF1410-3	3.50	10	77.0 lbs.	X							
RF1410-3-1/2	4.00	5	97.9 lbs.	X							
RF1410-4	4.50	5	110.0 lbs.	X							
RF1410-5	5.56	5	130.0 lbs.	X							
RF1410-6	6.62	5	140.0 lbs.	X							

PW-3792

Pipe Wrap Cushion EPDM Elastomer 25 Ft. Roll Service Temperature -70°F to +300°F

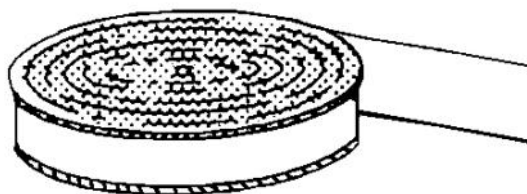
Provides Protection from Galvanic Action Between Dissimilar Metals

Isolates Pipe and Absorbs Sound and Vibrations Between Pipe and Mounting System

COPPER TUBING TYPE L AND TYPE K		
NOMINAL PIPE SIZE	LENGTH OF PW-3792	PLATED O.D. CLAMP SIZE
1/4"	1-1/8"	3/8 OD
3/8"	1-5/8"	1/2 OD
1/2"	2"	5/8 OD
3/4"	2-3/4"	7/8 OD
1"	3-7/8"	1-1/8 OD
1-1/4"	4-3/8"	1-3/8 OD
1-1/2"	5-1/8"	1-5/8 OD
2"	7-1/8"	2-1/8 OD
2-1/2"	8-1/4"	2-5/8 OD
3"	10-1/4"	3-1/8 OD
3-1/2"	11-3/8"	3-5/8 OD
4"	13-3/8"	4-1/8 OD
5"	16-1/2"	5-1/8 OD
6"	19-5/8"	6-1/8 OD
8"	25-7/8"	8-1/8 OD

THIN WALL CONDUIT EMT ELECTRICAL METALLIC TUBING		
NOMINAL PIPE SIZE	LENGTH OF PW-3792	PLATED O.D. CLAMP SIZE
3/8"	1-7/8"	3/4 OD
1/2"	2-1/4"	7/8 OD
3/4"	3"	1-1/8 OD
1"	3-3/4"	1-3/8 OD
1-1/4"	4-3/4"	1-3/4 OD
1-1/2"	5-1/2"	2 OD
2"	7"	2-3/8 OD

STANDARD PIPE RIGID CONDUIT		
NOMINAL PIPE SIZE	LENGTH OF PW-3792	PLATED O.D. CLAMP SIZE
1/4"	1-3/4"	3/4 OD
3/8"	2-1/8"	7/8 OD
1/2"	2-3/4"	1 OD
3/4"	3-3/8"	1-1/4 OD
1"	4-1/4"	1-1/2 OD
1-1/4"	5-1/4"	1-7/8 OD
1-1/2"	6"	2-1/8 OD
2"	7-1/2"	2-5/8 OD
2-1/2"	9-1/8"	3-1/8 OD
3"	11"	3-5/8 OD
3-1/2"	12-5/8"	4-1/4 OD
4"	14-1/4"	4-3/4 OD
5"	17-1/2"	5-7/8 OD
6"	20-7/8"	6-7/8 OD
8"	27-1/8"	8-7/8 OD
10"	33-3/4"	11 OD
12"	40"	13 OD





PW-3792 (Continued)

O.D. TUBING								
O.D. SIZE	LENGTH OF PW-3792	PLATED O.D. CLAMP SIZE	O.D. SIZE	LENGTH OF PW-3792	PLATED O.D. CLAMP SIZE	O.D. SIZE	LENGTH OF PW-3792	PLATED O.D. CLAMP SIZE
1/4"	7/8"	3/8 OD	4-3/4"	14-7/8"	4-7/8 OD	9-1/4"	29"	9-3/8 OD
3/8"	1-1/4"	1/2 OD	4-7/8"	15-3/8"	5 OD	9-3/8"	29-1/2"	9-1/2 OD
1/2"	1-5/8"	5/8 OD	5"	15-3/4"	5-1/8 OD	9-1/2"	29-7/8"	9-5/8 OD
5/8"	2"	3/4 OD	5-1/8"	16-1/8"	5-1/4 OD	9-5/8"	30-1/4"	9-3/4 OD
3/4"	2-3/8"	7/8 OD	5-1/4"	16-1/2"	5-3/8 OD	9-3/4"	30-5/8"	9-7/8 OD
7/8"	2-3/4"	1 OD	5-3/8"	16-7/8"	5-1/2 OD	9-7/8"	31"	10 OD
1"	3-1/4"	1-1/8 OD	5-1/2"	17-1/4"	5-5/8 OD	10"	31-3/8"	10-1/8 OD
1-1/8"	3-5/8"	1-3/8 OD	5-5/8"	17-5/8"	5-3/4 OD	10-1/8"	31-3/4"	10-1/4 OD
1-1/4"	4"	1-1/2 OD	5-3/4"	18-1/8"	5-7/8 OD	10-1/4"	32-1/4"	10-3/8 OD
1-3/8"	4-3/8"	1-1/2 OD	5-7/8"	18-1/2"	6 OD	10-3/8"	32-5/8"	10-1/2 OD
1-1/2"	4-3/4"	1-3/4 OD	6"	18-7/8"	6-1/8 OD	10-1/2"	33"	10-5/8 OD
1-5/8"	5-1/8"	1-3/4 OD	6-1/8"	19-1/4"	6-1/4 OD	10-5/8"	33-3/8"	10-3/4 OD
1-3/4"	5-1/2"	2 OD	6-1/4"	19-5/8"	6-3/8 OD	10-3/4"	33-3/4"	10-7/8 OD
1-7/8"	6"	2 OD	6-3/8"	20"	6-1/2 OD	10-7/8"	34-1/8"	11 OD
2"	6-3/8"	2-1/8 OD	6-1/2"	20-3/8"	6-5/8 OD	11"	34-1/2"	11-1/8 OD
2-1/8"	6-3/4"	2-1/4 OD	6-5/8"	20-7/8"	6-3/4 OD	11-1/8"	35"	11-1/4 OD
2-1/4"	7-1/8"	2-1/2 OD	6-3/4"	21-1/4"	6-7/8 OD	11-1/4"	35-3/8"	11-3/8 OD
2-3/8"	7-1/2"	2-5/8 OD	6-7/8"	21-5/8"	7 OD	11-3/8"	35-3/4"	11-1/2 OD
2-1/2"	7-7/8"	2-5/8 OD	7"	22"	7-1/8 OD	11-1/2"	36-1/8"	11-5/8 OD
2-5/8"	8-1/4"	2-3/4 OD	7-1/8"	22-3/8"	7-1/4 OD	11-5/8"	36-1/2"	11-3/4 OD
2-3/4"	8-3/4"	2-7/8 OD	7-1/4"	22-3/4"	7-3/8 OD	11-3/4"	36-7/8"	11-7/8 OD
2-7/8"	9-1/8"	3-1/8 OD	7-3/8"	23-1/8"	7-1/2 OD	11-7/8"	37-1/4"	12 OD
3"	9-1/2"	3-1/4 OD	7-1/2"	23-1/2"	7-5/8 OD	12"	37-3/4"	12-1/8 OD
3-1/8"	9-7/8"	3-1/4 OD	7-5/8"	24"	7-3/4 OD	12-1/8"	38-1/8"	12-1/4 OD
3-1/4"	10-1/4"	3-3/8 OD	7-3/4"	24-3/8"	7-7/8 OD	12-1/4"	38-1/2"	12-3/8 OD
3-3/8"	10-5/8"	3-1/2 OD	7-7/8"	24-3/4"	8 OD	12-3/8"	38-7/8"	12-1/2 OD
3-1/2"	11"	3-5/8 OD	8"	25-1/8"	8-1/8 OD	12-1/2"	39-1/4"	12-5/8 OD
3-5/8"	11-1/2"	3-3/4 OD	8-1/8"	25-1/2"	8-1/4 OD	12-5/8"	39-5/8"	12-3/4 OD
3-3/4"	11-7/8"	3-7/8 OD	8-1/4"	25-7/8"	8-3/8 OD	12-3/4"	40"	12-7/8 OD
3-7/8"	12-1/4"	4 OD	8-3/8"	26-1/4"	8-1/2 OD	13"	40-7/8"	13-1/8 OD
4"	12-5/8"	4-1/4 OD	8-1/2"	26-3/4"	8-5/8 OD	14"	44"	14-1/8 OD
4-1/8"	13"	4-1/4 OD	8-5/8"	27-1/8"	8-3/4 OD	15"	47-1/8"	15-1/8 OD
4-1/4"	13-3/8"	4-3/8 OD	8-3/4"	27-1/2"	8-7/8 OD	16"	50-1/4"	16-1/8 OD
4-3/8"	13-3/4"	4-1/2 OD	8-7/8"	27-7/8"	9 OD	17"	53-3/8"	17-1/8 OD
4-1/2"	14-1/8"	4-5/8 OD	9"	28-1/4"	9-1/8 OD	18"	56-1/2"	18-1/8 OD
4-5/8"	14-1/2"	4-3/4 OD	9-1/8"	28-5/8"	9-1/4 OD	20"	62-7/8"	20-1/8 OD



Tel: 1-800-399-3244

Tel: 1-330-399-3344

Fax: 1-330-399-3482

FITTINGS

MATERIAL

Fittings are made from steel (ASTM A575 M1015 Grade), Stainless Steel (ASTM A276 Type 304 and A276 Type 316L) and Aluminum (ASTM B-221 6063T1).

FINISH

The standard finish is electroplated coatings of Zinc and conforms to ASTM B633 SC1 Type III. Hot-dipped galvanized is also available and conforms to ASTM A123 and Plain (ASTM A907 GR. 33).

STANDARD DIMENSIONS

Material Thickness: 1/4"

Material Width: 1 5/8"

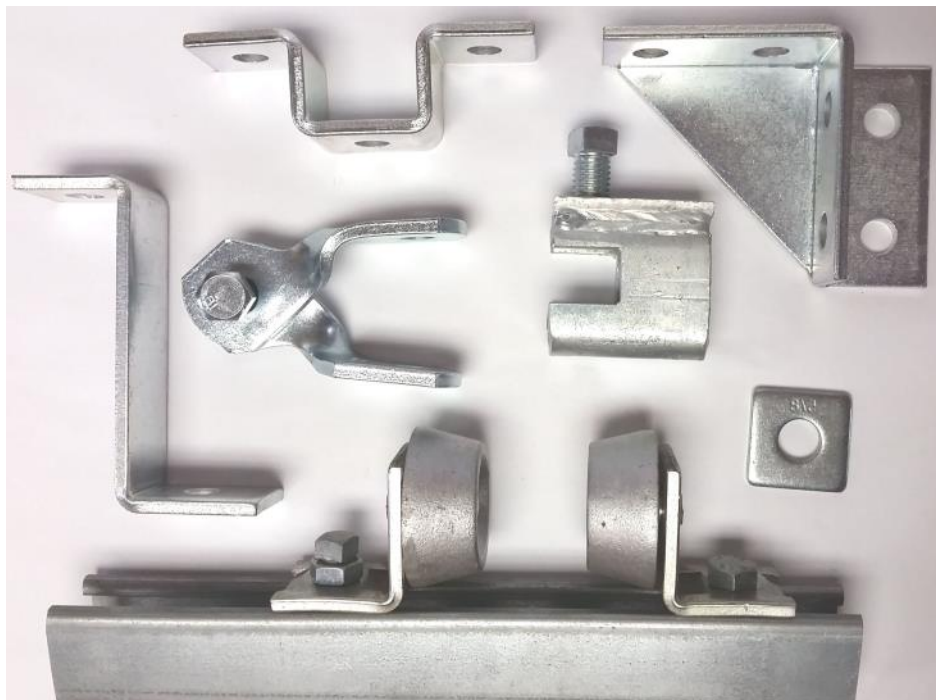
Hole Diameter: 9/16"

Hole Spacing: 1 7/8" on center

Hole Center from Edge: 13/16"

TORQUE

Bolt Size	1/4"-20	5/16"-18	3/8"-16	1/2"-13	5/8"-11	3/4"-10	7/8"-9
Rec. Torque (ft. lbs.)	6	11	19	50	100	125	166



MATERIAL WIDTH: 1-5/8" THICKNESS: 1/4" HOLE DIAMETER: 9/16" HOLE SPACING: 1-7/8" HOLE CENTER FROM EDGE: 13/16"

FLAT FITTINGS



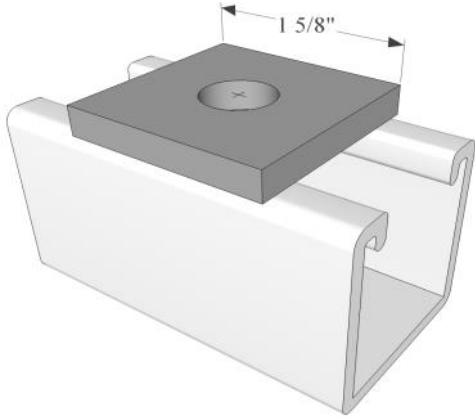
Tel: 1-800-399-3244

Tel: 1-330-399-3344

Fax: 1-330-399-3482

SW-619 Series

1-5/8" Square Washer



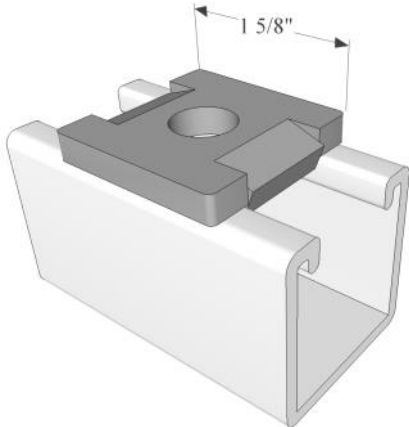
PART NUMBER	BOLT SIZE	HOLE SIZE	BOX QTY.	WEIGHT/100 PCS.
SW-619-1/4	1/4"	11/32"	100	18 lbs.
SW-619-3/8	3/8"	7/16"	100	17 lbs.
SW-619-1/2	1/2"	9/16"	100	17 lbs.
SW-619-5/8	5/8"	11/16"	100	16 lbs.
SW-619-3/4	3/4"	13/16"	100	16 lbs.
SW-619-7/8	7/8"	15/16"	100	16 lbs.

Stocked in	PLTD	SS304	SS316	ALUM	HDG	YLW	GRN	PLN
	X	X	X		X			

Other Finishes Available by Special Order

SW-619-D Series

1-5/8" Square Washer With Channel Guides



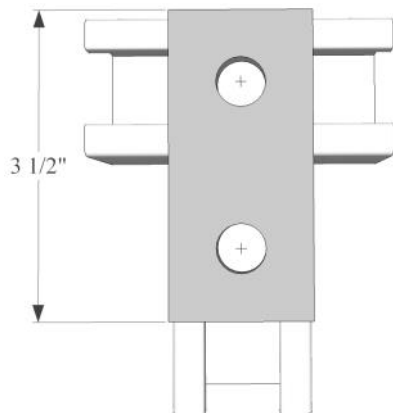
PART NUMBER	BOLT SIZE	HOLE SIZE	BOX QTY.	WEIGHT/100 PCS.
SW-619-1/4-D	1/4"	11/32"	100	18 lbs.
SW-619-3/8-D	3/8"	7/16"	100	17 lbs.
SW-619-1/2-D	1/2"	9/16"	100	17 lbs.
SW-619-5/8-D	5/8"	11/16"	100	16 lbs.
SW-619-3/4-D	3/4"	13/16"	100	16 lbs.
SW-619-7/8-D	7/8"	15/16"	100	16 lbs.

Stocked in	PLTD	SS304	SS316	ALUM	HDG	YLW	GRN	PLN
	X							

Other Finishes Available by Special Order

SP-601

Two Hole Splice Plate



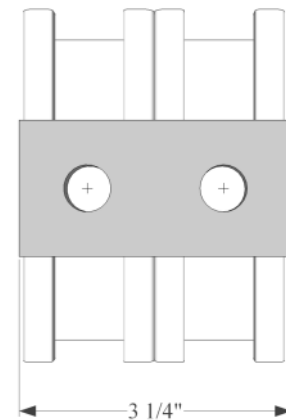
50 Pcs/Box
38 lbs./100 Pcs

Stocked in	PLTD	SS304	SS316	ALUM	HDG	YLW	GRN	PLN
	X	X						

Other Finishes Available by Special Order

SP-601-1

Two Hole Splice Plate



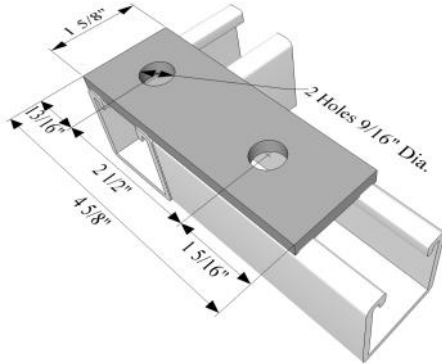
50 Pcs/Box
34 lbs./100 Pcs

Stocked in	PLTD	SS304	SS316	ALUM	HDG	YLW	GRN	PLN
	X							

Other Finishes Available by Special Order

MATERIAL WIDTH: 1-5/8" THICKNESS: 1/4" HOLE DIAMETER: 9/16" HOLE SPACING: 1-7/8" HOLE CENTER FROM EDGE: 13/16"

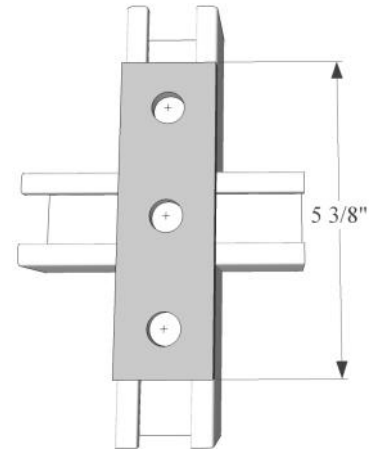
SP-601-2
Two Hole
Splice Plate



50 Pcs/Box
50 lbs./100 Pcs

Stocked in	PLTD	SS304	SS316	ALUM	HDG	YLW	GRN	PLN
	X							
Other Finishes Available by Special Order								

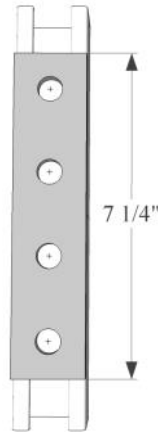
SP-602
Three Hole
Splice Plate



50 Pcs/Box
58 lbs./100 Pcs

Stocked in	PLTD	SS304	SS316	ALUM	HDG	YLW	GRN	PLN
	X	X	X					
Other Finishes Available by Special Order								

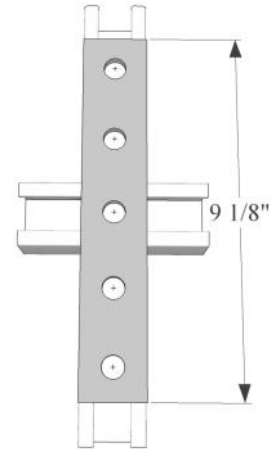
SP-888
Four Hole
Splice Plate



25 Pcs/Box
78 lbs./100 Pcs

Stocked in	PLTD	SS304	SS316	ALUM	HDG	YLW	GRN	PLN
	X	X	X	X	X			
Other Finishes Available by Special Order								

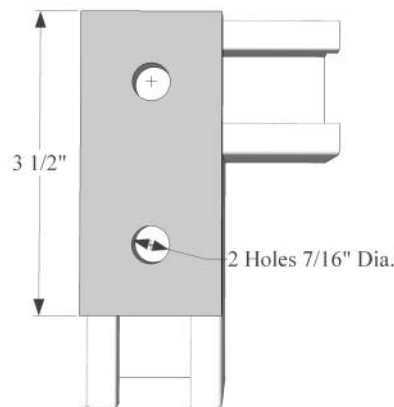
SP-888-1
Five Hole
Splice Plate



20 Pcs/Box
95 lbs./100 Pcs

Stocked in	PLTD	SS304	SS316	ALUM	HDG	YLW	GRN	PLN
	X							
Other Finishes Available by Special Order								

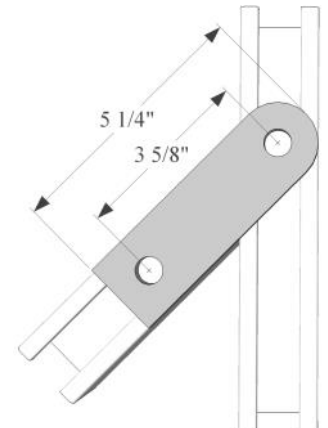
SP-601-7/16"
Two Hole
Splice Plate



50 Pcs/Box
38 lbs./100 Pcs

Stocked in	PLTD	SS304	SS316	ALUM	HDG	YLW	GRN	PLN
	X							
Other Finishes Available by Special Order								

SP-618
Two Hole
Swivel Plate



25 Pcs/Box
56 lbs./100 Pcs

Stocked in	PLTD	SS304	SS316	ALUM	HDG	YLW	GRN	PLN
	X							
Other Finishes Available by Special Order								

MATERIAL WIDTH: 1-5/8" THICKNESS: 1/4" HOLE DIAMETER: 9/16" HOLE SPACING: 1-7/8" HOLE CENTER FROM EDGE: 13/16"

FLAT FITTINGS

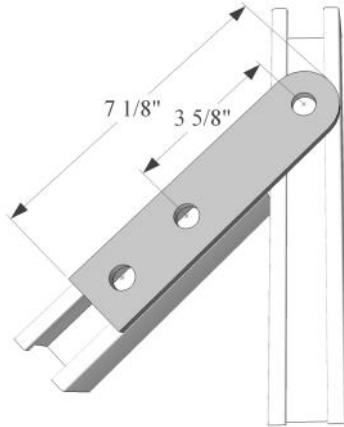


Tel: 1-800-399-3244

Tel: 1-330-399-3344

Fax: 1-330-399-3482

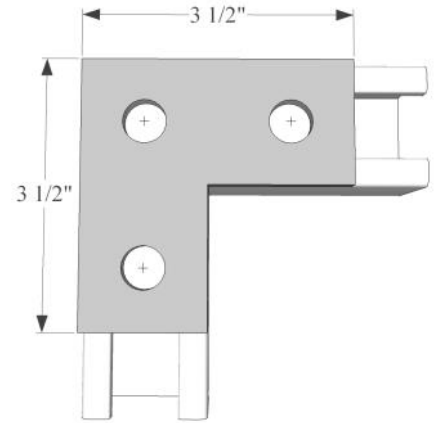
SP-618-1
Three Hole Swivel Plate



25 Pcs/Box
76 lbs./100 Pcs

	PLTD	SS304	SS316	ALUM	HDG	YLW	GRN	PLN
Stocked in	X							
Other Finishes Available by Special Order								

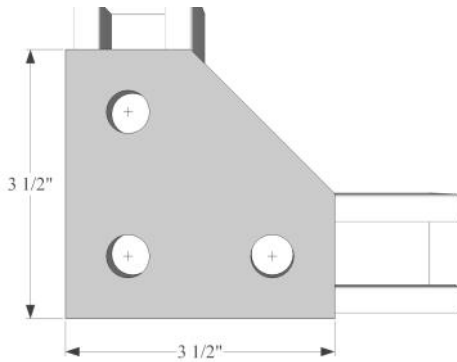
FP-718
Three Hole Flat Angle Plate



50 Pcs/Box
62 lbs./100 Pcs

	PLTD	SS304	SS316	ALUM	HDG	YLW	GRN	PLN
Stocked in	X	X	X		X			
Other Finishes Available by Special Order								

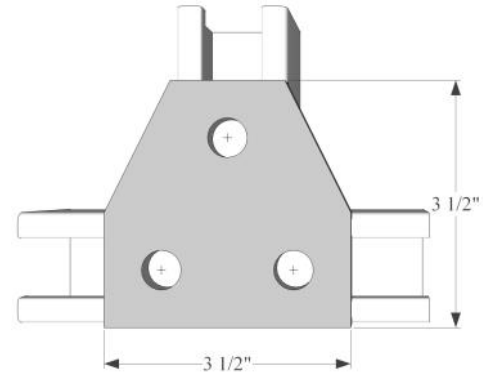
FP-744
Three Hole Flat Corner Gusset Plate



25 Pcs/Box
70 lbs./100 Pcs

	PLTD	SS304	SS316	ALUM	HDG	YLW	GRN	PLN
Stocked in	X							
Other Finishes Available by Special Order								

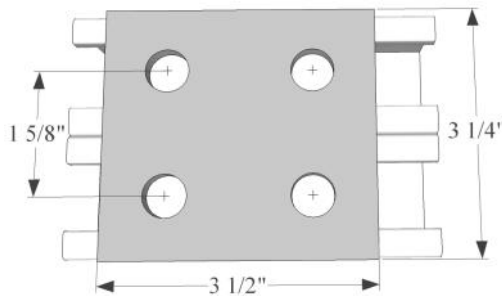
FP-925
Three Hole Flat Tee Gusset Plate



25 Pcs/Box
70 lbs./100 Pcs

	PLTD	SS304	SS316	ALUM	HDG	YLW	GRN	PLN
Stocked in	X							
Other Finishes Available by Special Order								

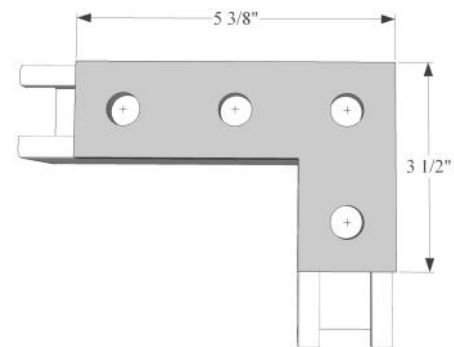
FP-621
Four Hole Square Flat Plate



25 Pcs/Box
74 lbs./100 Pcs

	PLTD	SS304	SS316	ALUM	HDG	YLW	GRN	PLN
Stocked in	X							
Other Finishes Available by Special Order								

FP-718-1
Four Hole Flat Corner Plate

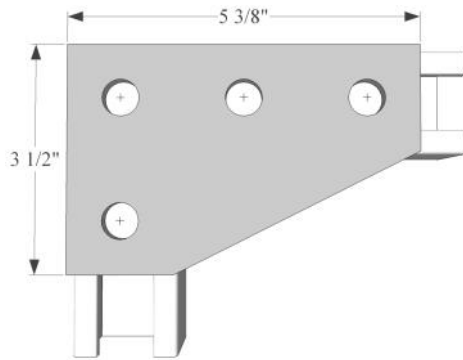


20 Pcs/Box
75 lbs./100 Pcs

	PLTD	SS304	SS316	ALUM	HDG	YLW	GRN	PLN
Stocked in	X	X	X		X			
Other Finishes Available by Special Order								

MATERIAL WIDTH: 1-5/8" THICKNESS: 1/4" HOLE DIAMETER: 9/16" HOLE SPACING: 1-7/8" HOLE CENTER FROM EDGE: 13/16"

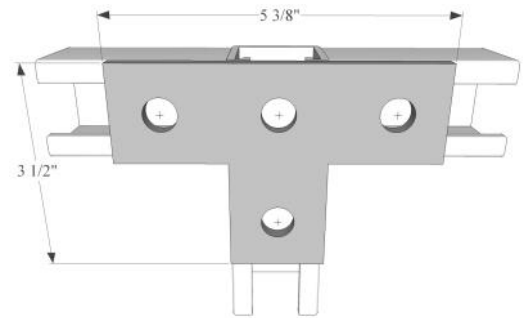
FP-750
 Four Hole
 Flat Corner
 Gusset Plate



25 Pcs/Box
 101 lbs./100 Pcs

Stocked in	PLTD	SS304	SS316	ALUM	HDG	YLW	GRN	PLN
	X	X						
Other Finishes Available by Special Order								

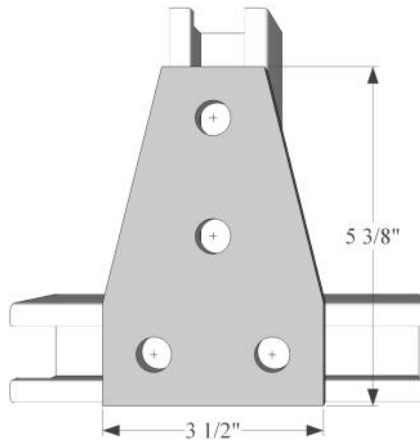
TP-714
 Four Hole
 Flat Tee
 Plate



25 Pcs/Box
 80 lbs./100 Pcs

Stocked in	PLTD	SS304	SS316	ALUM	HDG	YLW	GRN	PLN
	X	X	X		X			
Other Finishes Available by Special Order								

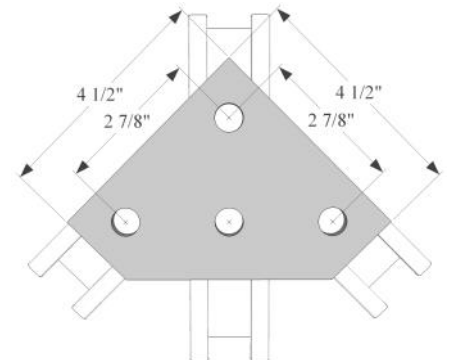
FP-747
 Four Hole Flat
 Symmetrical
 Plate



25 Pcs/Box
 100 lbs./100 Pcs

Stocked in	PLTD	SS304	SS316	ALUM	HDG	YLW	GRN	PLN
	X							
Other Finishes Available by Special Order								

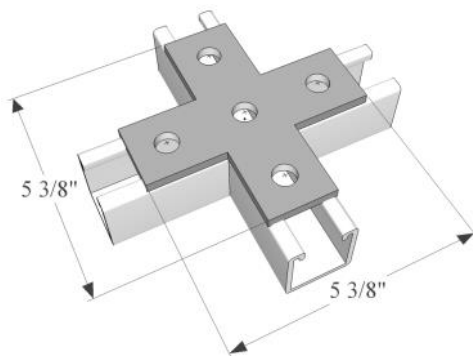
FP-822
 Four Hole
 Double 45°
 Connector
 Plate



25 Pcs/Box
 112 lbs./100 Pcs

Stocked in	PLTD	SS304	SS316	ALUM	HDG	YLW	GRN	PLN
	X							
Other Finishes Available by Special Order								

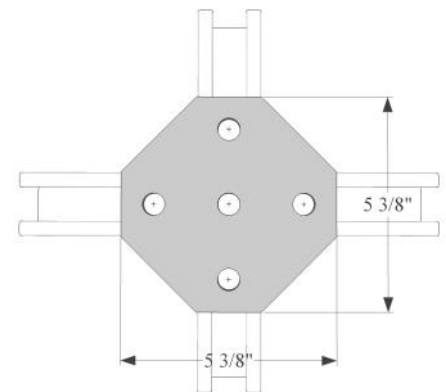
CP-712
 Five Hole
 Flat Cross
 Plate



25 Pcs/Box
 95 lbs./100 Pcs

Stocked in	PLTD	SS304	SS316	ALUM	HDG	YLW	GRN	PLN
	X	X						
Other Finishes Available by Special Order								

CP-712-1
 Five Hole
 Flat
 Symmetrical
 Gusset Plate



10 Pcs/Box
 145 lbs./100 Pcs

Stocked in	PLTD	SS304	SS316	ALUM	HDG	YLW	GRN	PLN
		X						
Other Finishes Available by Special Order								

MATERIAL WIDTH: 1-5/8" THICKNESS: 1/4" HOLE DIAMETER: 9/16" HOLE SPACING: 1-7/8" HOLE CENTER FROM EDGE: 13/16"

FLAT FITTINGS

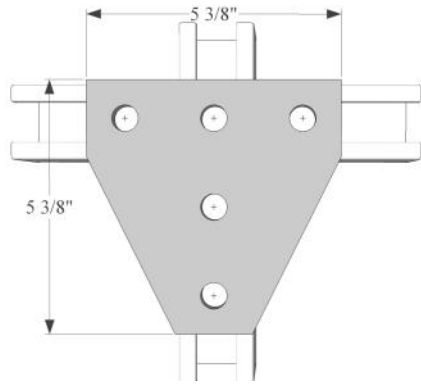


Tel: 1-800-399-3244

Tel: 1-330-399-3344

Fax: 1-330-399-3482

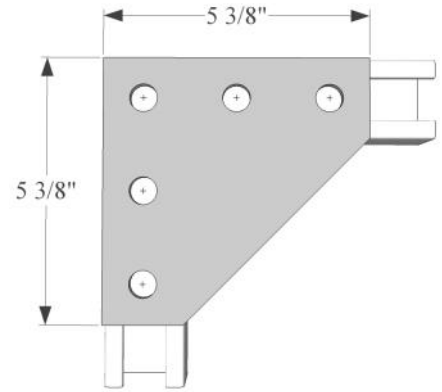
FP-854
Five Hole
Flat Tee
Gusset Plate



10 Pcs/Box
143 lbs./100 Pcs

Stocked in	PLTD	SS304	SS316	ALUM	HDG	YLW	GRN	PLN
	X							
Other Finishes Available by Special Order								

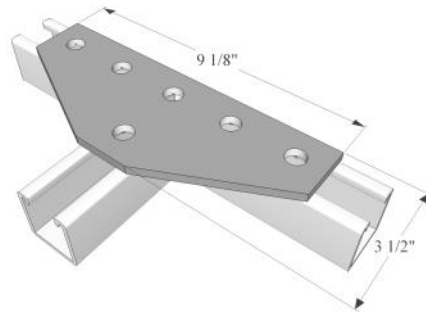
FP-2190
Five Hole
Flat Corner
Gusset Plate



10 Pcs/Box
150 lbs./100 Pcs

Stocked in	PLTD	SS304	SS316	ALUM	HDG	YLW	GRN	PLN
	X							
Other Finishes Available by Special Order								

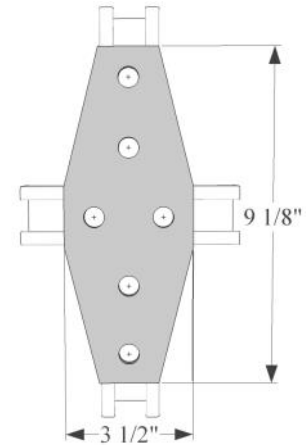
FP-339
Six Hole Flat
Tee Gusset Plate



10 Pcs/Box
170 lbs./100 Pcs

Stocked in	PLTD	SS304	SS316	ALUM	HDG	YLW	GRN	PLN
	X							
Other Finishes Available by Special Order								

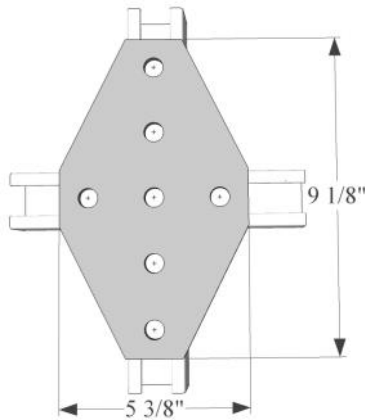
FP-2127
Six Hole Flat
Cross Gusset Plate



10 Pcs/Box
167 lbs./100 Pcs

Stocked in	PLTD	SS304	SS316	ALUM	HDG	YLW	GRN	PLN
	X							
Other Finishes Available by Special Order								

FP-2112
Seven Hole Flat
Cross Gusset Plate



10 Pcs/Box
240 lbs./100 Pcs

Stocked in	PLTD	SS304	SS316	ALUM	HDG	YLW	GRN	PLN
	X							
Other Finishes Available by Special Order								

MATERIAL WIDTH: 1-5/8" THICKNESS: 1/4" HOLE DIAMETER: 9/16" HOLE SPACING: 1-7/8" HOLE CENTER FROM EDGE: 13/16"

Tel: 1-800-399-3244
Tel: 1-330-399-3344
Fax: 1-330-399-3482



NOTES

MATERIAL WIDTH: 1-5/8" THICKNESS: 1/4" HOLE DIAMETER: 9/16" HOLE SPACING: 1-7/8" HOLE CENTER FROM EDGE: 13/16"

90° FITTINGS



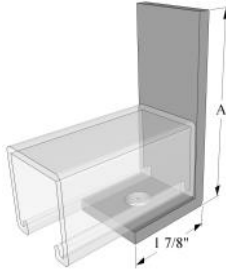
Tel: 1-800-399-3244

Tel: 1-330-399-3344

Fax: 1-330-399-3482

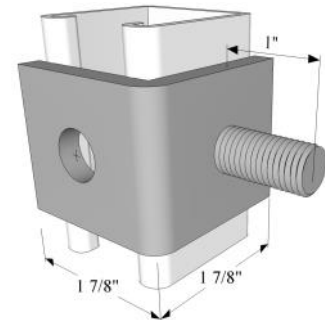
OH-921 Series One Hole 90° Angle

PART NUMBER	'A'	BOX QTY.	WEIGHT/ 100 PCS
OH-921-3-7/8	3-7/8"	25	61 lbs.
OH-921-5-7/8	5-7/8"	25	84 lbs.
OH-921-7-7/8	7-7/8"	25	107 lbs.
OH-921-9-7/8	9-7/8"	25	130 lbs.



Stocked in	PLTD	SS304	SS316	ALUM	HDG	YLW	GRN	PLN
	X							
Other Finishes Available by Special Order								

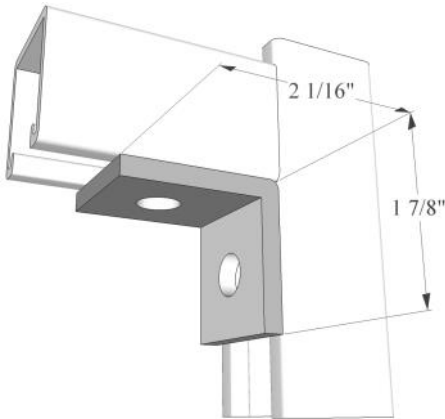
RC-1315 One Stud Ring Connector



25 Pcs/Box
45 lbs./100 Pcs

Stocked in	PLTD	SS304	SS316	ALUM	HDG	YLW	GRN	PLN
	X							
Other Finishes Available by Special Order								

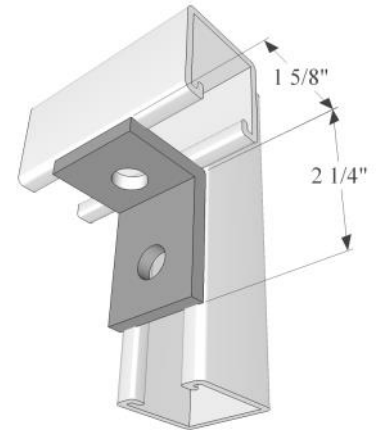
EA-603 Two Hole 90° End Angle



50 Pcs/Box
38 lbs./100 Pcs

Stocked in	PLTD	SS304	SS316	ALUM	HDG	YLW	GRN	PLN
	X	X	X	X	X			
Other Finishes Available by Special Order								

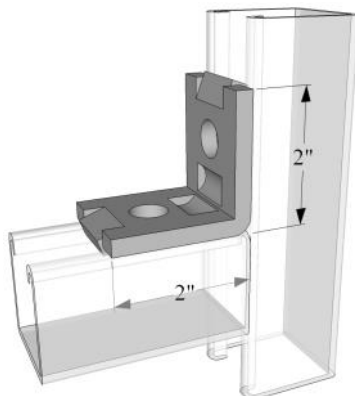
CA-604 Two Hole 90° Corner Angle



50 Pcs/Box
38 lbs./100 Pcs

Stocked in	PLTD	SS304	SS316	ALUM	HDG	YLW	GRN	PLN
	X	X	X	X	X			
Other Finishes Available by Special Order								

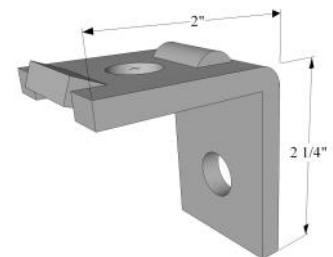
EA-806 Two Hole 90° End Angle with Channel Guides 2" x 2"



50 Pcs/Box
40 lbs./100 Pcs

Stocked in	PLTD	SS304	SS316	ALUM	HDG	YLW	GRN	PLN
	X							
Other Finishes Available by Special Order								

PR-904 Two Hole 90° No Swivel Support for PR-1901 and PR-1902 Series Rollers

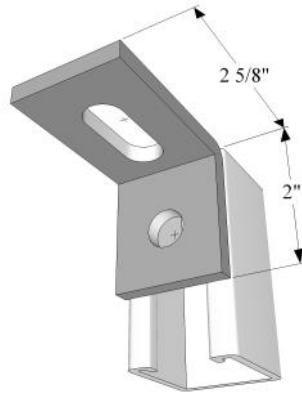


50 Pcs/Box
38 lbs./100 Pcs

Stocked in	PLTD	SS304	SS316	ALUM	HDG	YLW	GRN	PLN
	X							
Other Finishes Available by Special Order								

MATERIAL WIDTH: 1-5/8" THICKNESS: 1/4" HOLE DIAMETER: 9/16" HOLE SPACING: 1-7/8" HOLE CENTER FROM EDGE: 13/16"

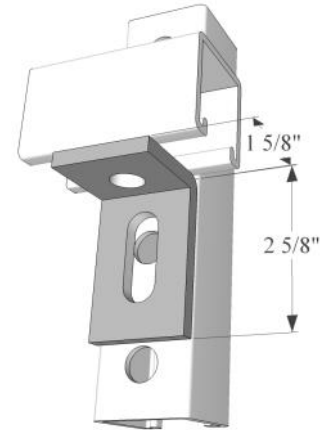
CA-2520
 One Hole 90° Slotted
 Corner Angle
 9/16" x 1-1/2" Slot



25 Pcs/Box
 42 lbs./100 Pcs

Stocked in	PLTD	SS304	SS316	ALUM	HDG	YLW	GRN	PLN
	X							
Other Finishes Available by Special Order								

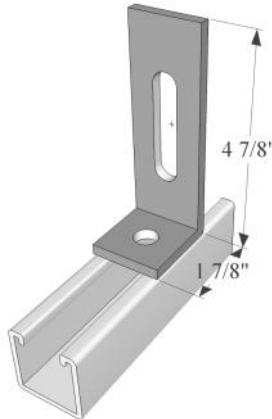
CA-2545
 One Hole 90° Slotted
 Corner Angle
 9/16" x 1-1/2" Slot



50 Pcs/Box
 38 lbs./100 Pcs

Stocked in	PLTD	SS304	SS316	ALUM	HDG	YLW	GRN	PLN
	X							
Other Finishes Available by Special Order								

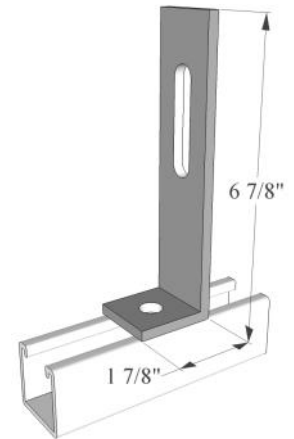
AA-763
 One Hole 90° Slotted
 Corner Angle
 9/16" x 2-1/2" Slot



25 Pcs/Box
 59 lbs./100 Pcs

Stocked in	PLTD	SS304	SS316	ALUM	HDG	YLW	GRN	PLN
	X							
Other Finishes Available by Special Order								

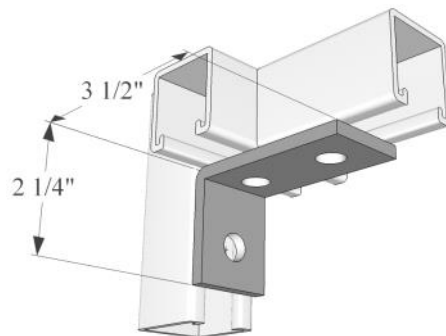
AA-764
 One Hole 90° Slotted
 Corner Angle
 9/16" x 2-1/2" Slot



25 Pcs/Box
 81 lbs./100 Pcs

Stocked in	PLTD	SS304	SS316	ALUM	HDG	YLW	GRN	PLN
	X							
Other Finishes Available by Special Order								

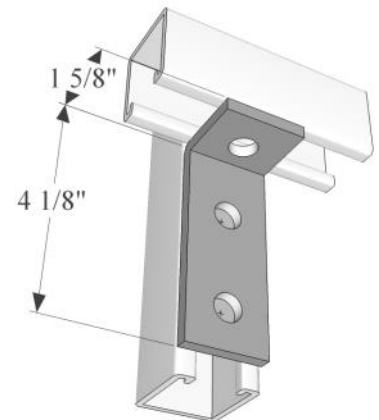
CA-605
 Three Hole 90°
 Corner Angle



25 Pcs/Box
 57 lbs./100 Pcs

Stocked in	PLTD	SS304	SS316	ALUM	HDG	YLW	GRN	PLN
	X	X	X		X			
Other Finishes Available by Special Order								

CA-606
 Three Hole 90°
 Corner Angle



25 Pcs/Box
 57 lbs./100 Pcs

Stocked in	PLTD	SS304	SS316	ALUM	HDG	YLW	GRN	PLN
	X	X	X					
Other Finishes Available by Special Order								

MATERIAL WIDTH: 1-5/8" THICKNESS: 1/4" HOLE DIAMETER: 9/16" HOLE SPACING: 1-7/8" HOLE CENTER FROM EDGE: 13/16"

90° FITTINGS

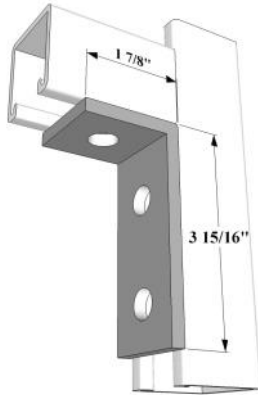


Tel: 1-800-399-3244

Tel: 1-330-399-3344

Fax: 1-330-399-3482

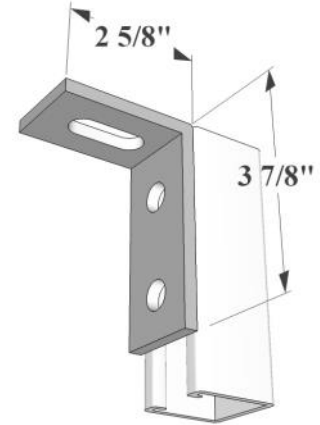
CA-745
Three Hole 90°
Corner Angle



25 Pcs/Box
57 lbs./100 Pcs

Stocked in	PLTD	SS304	SS316	ALUM	HDG	YLW	GRN	PLN
	X	X						
Other Finishes Available by Special Order								

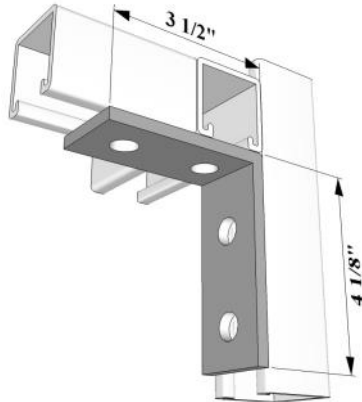
CA-3049
Two Hole 90° Slotted
Corner Angle
9/16" x 1-1/2" Slot



25 Pcs/Box
63 lbs./100 Pcs

Stocked in	PLTD	SS304	SS316	ALUM	HDG	YLW	GRN	PLN
	X							
Other Finishes Available by Special Order								

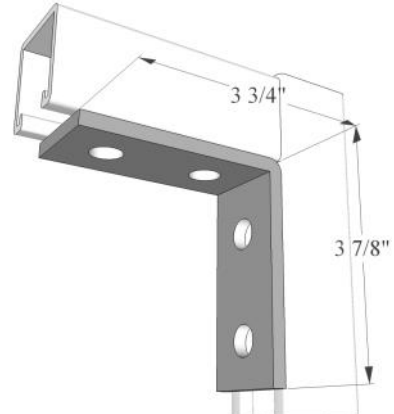
CA-607
Four Hole 90°
Corner Angle



25 Pcs/Box
78 lbs./100 Pcs

Stocked in	PLTD	SS304	SS316	ALUM	HDG	YLW	GRN	PLN
	X	X	X	X	X			
Other Finishes Available by Special Order								

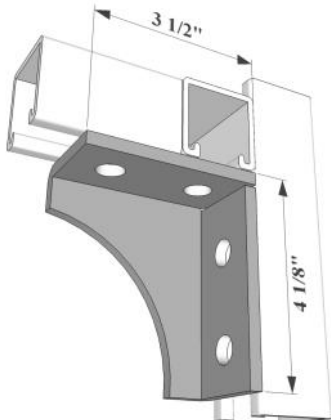
CA-660
Four Hole 90°
Corner Angle



25 Pcs/Box
78 lbs./100 Pcs

Stocked in	PLTD	SS304	SS316	ALUM	HDG	YLW	GRN	PLN
	X	X						
Other Finishes Available by Special Order								

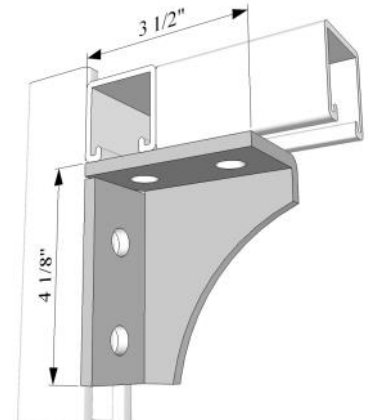
GA-609-L
Four Hole 90°
Gusseted Corner
Angle Left Hand



10 Pcs/Box
114 lbs./100 Pcs

Stocked in	PLTD	SS304	SS316	ALUM	HDG	YLW	GRN	PLN
	X	X						
Other Finishes Available by Special Order								

GA-608-R
Four Hole 90°
Gusseted Corner
Angle Right Hand

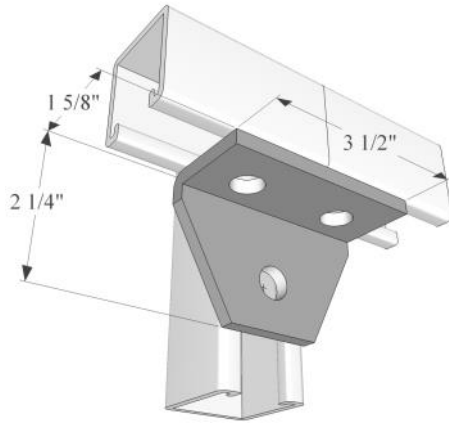


10 Pcs/Box
114 lbs./100 Pcs

Stocked in	PLTD	SS304	SS316	ALUM	HDG	YLW	GRN	PLN
	X	X						
Other Finishes Available by Special Order								

MATERIAL WIDTH: 1-5/8" THICKNESS: 1/4" HOLE DIAMETER: 9/16" HOLE SPACING: 1-7/8" HOLE CENTER FROM EDGE: 13/16"

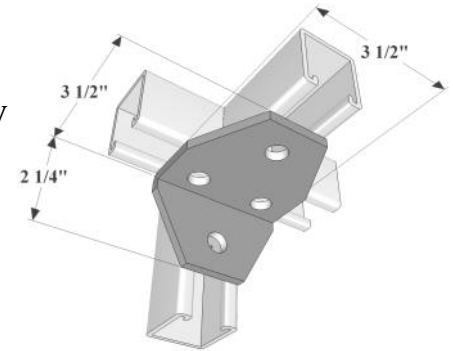
SA-746
 Three Hole 90°
 Gusseted
 Shelf Angle



25 Pcs/Box
 70 lbs./100 Pcs

	PLTD	SS304	SS316	ALUM	HDG	YLW	GRN	PLN
Stocked in	X							
Other Finishes Available by Special Order								

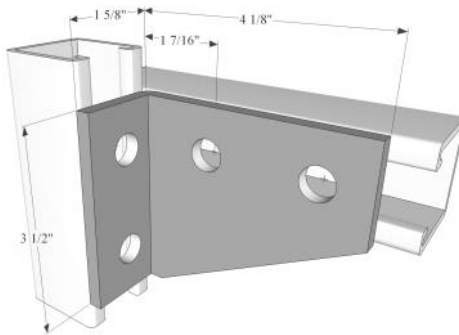
SA-614
 Four Hole 90°
 Gusseted 3-Way
 Shelf Angle



25 Pcs/Box
 100 lbs./100 Pcs

	PLTD	SS304	SS316	ALUM	HDG	YLW	GRN	PLN
Stocked in	X							
Other Finishes Available by Special Order								

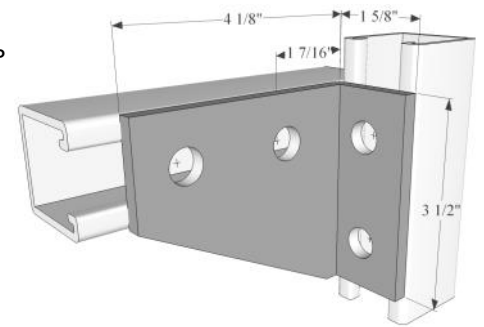
GA-752-L
 Four Hole 90°
 Left Hand
 Gusset Angle



10 Pcs/Box
 111 lbs./100 Pcs

	PLTD	SS304	SS316	ALUM	HDG	YLW	GRN	PLN
Stocked in	X							
Other Finishes Available by Special Order								

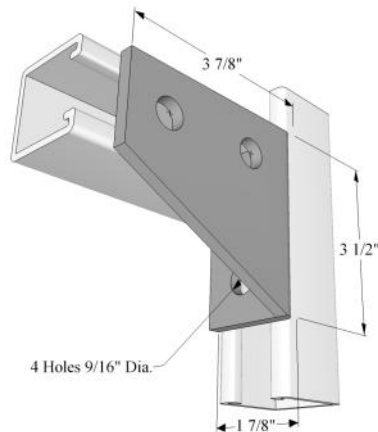
GA-752-R
 Four Hole 90°
 Right Hand
 Gusset Angle



10 Pcs/Box
 111 lbs./100 Pcs

	PLTD	SS304	SS316	ALUM	HDG	YLW	GRN	PLN
Stocked in	X							
Other Finishes Available by Special Order								

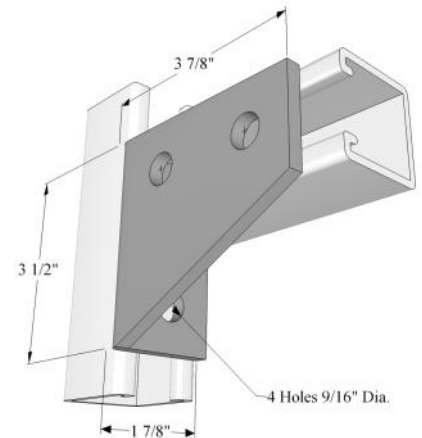
GA-752-1L
 Four Hole 90°
 Left Hand
 Gusset Angle



10 Pcs/Box
 111 lbs./100 Pcs

	PLTD	SS304	SS316	ALUM	HDG	YLW	GRN	PLN
Stocked in	X							
Other Finishes Available by Special Order								

GA-752-1R
 Four Hole 90°
 Right Hand
 Gusset Angle



10 Pcs/Box
 111 lbs./100 Pcs

	PLTD	SS304	SS316	ALUM	HDG	YLW	GRN	PLN
Stocked in	X							
Other Finishes Available by Special Order								

MATERIAL WIDTH: 1-5/8" THICKNESS: 1/4" HOLE DIAMETER: 9/16" HOLE SPACING: 1-7/8" HOLE CENTER FROM EDGE: 13/16"

90° FITTINGS

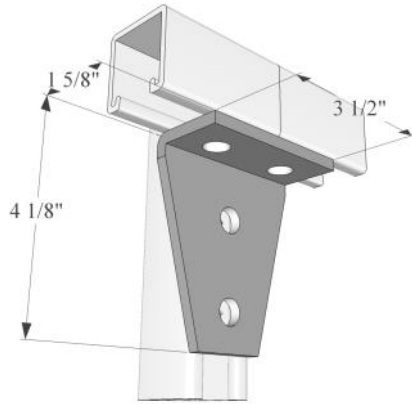


Tel: 1-800-399-3244

Tel: 1-330-399-3344

Fax: 1-330-399-3482

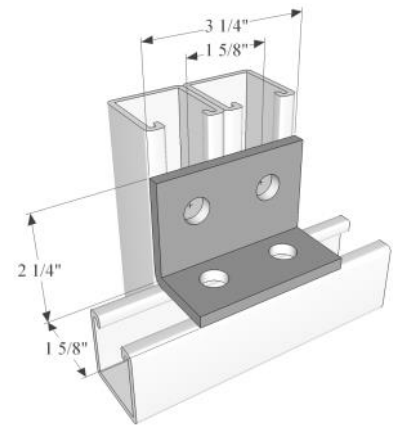
SA-748
Four Hole 90°
Gusseted
Shelf Angle



25 Pcs/Box
105 lbs./100 Pcs

Stocked in	PLTD	SS304	SS316	ALUM	HDG	YLW	GRN	PLN
	X							
Other Finishes Available by Special Order								

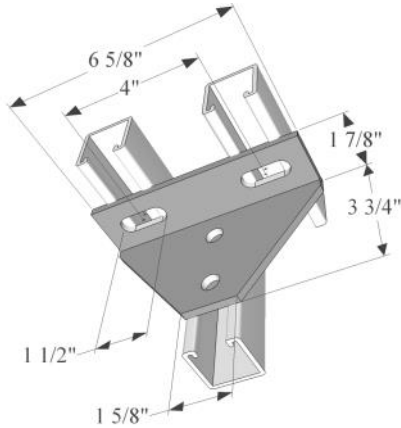
CC-622
Four Hole 90°
Corner Connector



25 Pcs/Box
65 lbs./100 Pcs

Stocked in	PLTD	SS304	SS316	ALUM	HDG	YLW	GRN	PLN
	X							
Other Finishes Available by Special Order								

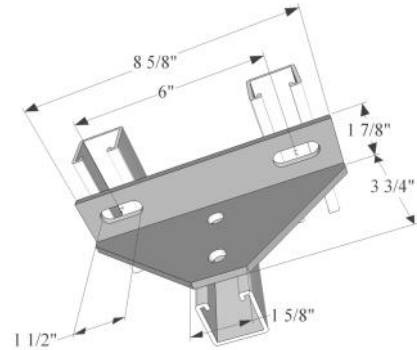
SA-689-A
Two Hole 6-5/8"
Double Slotted
Adjustable
Support Angle



10 Pcs/Box
171 lbs./100 Pcs

Stocked in	PLTD	SS304	SS316	ALUM	HDG	YLW	GRN	PLN
	X							
Other Finishes Available by Special Order								

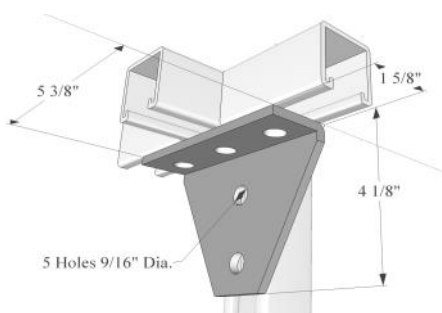
SA-689-B
Two Hole 8-5/8"
Double Slotted
Adjustable
Support Angle



10 Pcs/Box
200 lbs./100 Pcs

Stocked in	PLTD	SS304	SS316	ALUM	HDG	YLW	GRN	PLN
	X							
Other Finishes Available by Special Order								

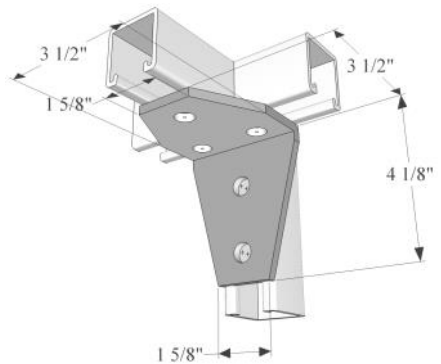
SA-927
Five Hole 90°
Symmetrical
Gusseted
Shelf Angle



10 Pcs/Box
155 lbs./100 Pcs

Stocked in	PLTD	SS304	SS316	ALUM	HDG	YLW	GRN	PLN
	X							
Other Finishes Available by Special Order								

SA-615
Five Hole 90°
Symmetrical
Gusseted
3-Way
Shelf Angle

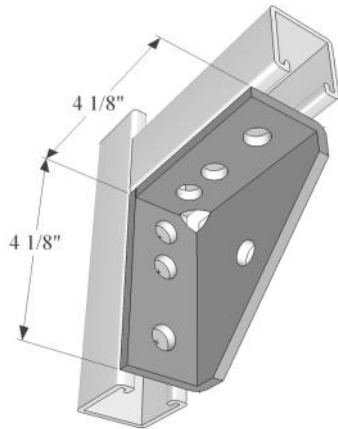


10 Pcs/Box
135 lbs./100 Pcs

Stocked in	PLTD	SS304	SS316	ALUM	HDG	YLW	GRN	PLN
	X							
Other Finishes Available by Special Order								

MATERIAL WIDTH: 1-5/8" THICKNESS: 1/4" HOLE DIAMETER: 9/16" HOLE SPACING: 1-7/8" HOLE CENTER FROM EDGE: 13/16"

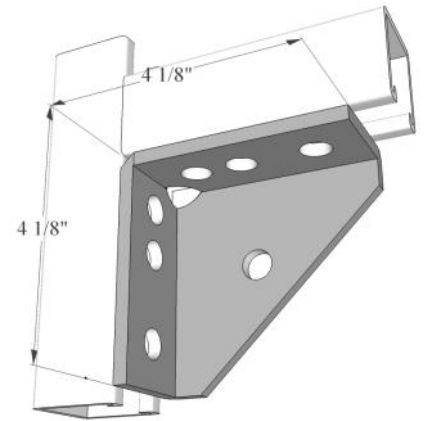
CA-3373
 Seven Hole Universal
 Corner Angle



10 Pcs/Box
 152 lbs./100 Pcs

	PLTD	SS304	SS316	ALUM	HDG	YLW	GRN	PLN
Stocked in	X	X	X					X
Other Finishes Available by Special Order								

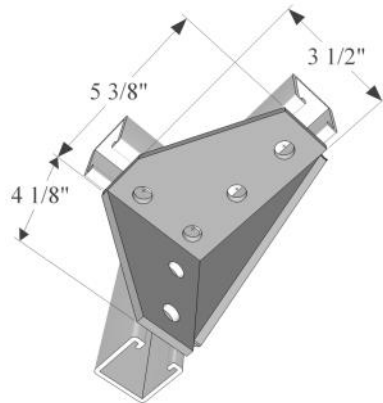
CA-3373W
 Seven Hole
 Universal
 Welded Corner
 Angle



10 Pcs/Box
 150 lbs./100 Pcs

	PLTD	SS304	SS316	ALUM	HDG	YLW	GRN	PLN
Stocked in	X							
Other Finishes Available by Special Order								

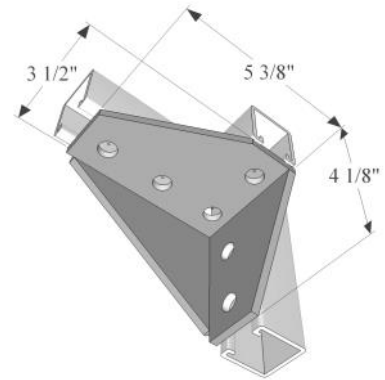
GA-3326-L
 Six Hole Left
 Hand Gusseted
 Corner Connector
 1/4" Thick Welded
 Gusset



10 Pcs/Box
 236 lbs./100 Pcs

	PLTD	SS304	SS316	ALUM	HDG	YLW	GRN	PLN
Stocked in	X							
Other Finishes Available by Special Order								

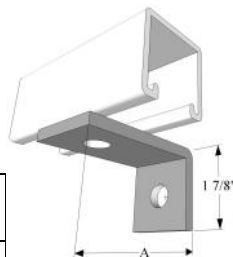
GA-3326-R
 Six Hole Right
 Hand Gusseted
 Corner Connector
 1/4" Thick Welded
 Gusset



10 Pcs/Box
 236 lbs./100 Pcs

	PLTD	SS304	SS316	ALUM	HDG	YLW	GRN	PLN
Stocked in	X							
Other Finishes Available by Special Order								

CA-2144
 Two Hole Corner Angle



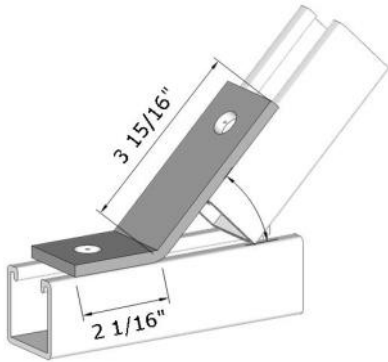
PART NUMBER	A	BOX QTY.	WEIGHT/ 100 PCS
CA-2144-3	3"	25	49 lbs.
CA-2144-3-1/2	3-1/2"	25	54 lbs.
CA-2144-4	4"	25	61 lbs.

	PLTD	SS304	SS316	ALUM	HDG	YLW	GRN	PLN
Stocked in	X							
Other Finishes Available by Special Order								

MATERIAL WIDTH: 1-5/8" THICKNESS: 1/4" HOLE DIAMETER: 9/16" HOLE SPACING: 1-7/8" HOLE CENTER FROM EDGE: 13/16"

OA-633-SERIES

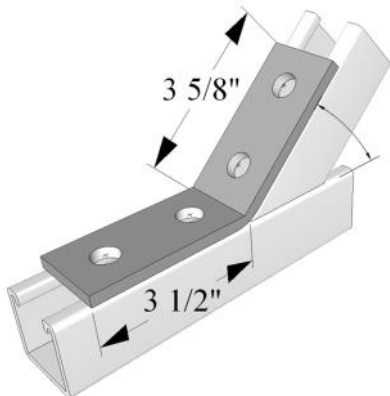
Two Hole Open Angle



PART NUMBER	DIMENSIONS	BOX QTY	WEIGHT/ 100 PCS	PLTD	SS304	SS316	ALUMI	HDG	YLW	GRN	PLN
OA-633-7-1/2	2-1/16" x 3-5/16"	25	58 lbs.	X							
OA-633-15	2-1/16" x 3-5/16"	25	58 lbs.	X							
OA-633-22-1/2	2-1/16" x 3-5/16"	25	58 lbs.	X							
OA-633-30	2-1/16" x 3-5/16"	25	58 lbs.	X							
OA-633-37-1/2	2-1/16" x 3-5/16"	25	58 lbs.	X							
OA-633-45	2-1/16" x 3-5/16"	25	58 lbs.	X	X	X		X			
OA-633-52-1/2	2-1/16" x 3-5/16"	25	58 lbs.	X							
OA-633-60	2-1/16" x 3-5/16"	25	58 lbs.	X							
OA-633-67-1/2	2-1/16" x 3-5/16"	25	58 lbs.	X							
OA-633-75	2-1/16" x 3-5/16"	25	58 lbs.	X							
OA-633-82-1/2	2-1/16" x 3-5/16"	25	58 lbs.	X							
Other Finishes Available by Special Order											

OA-781-SERIES

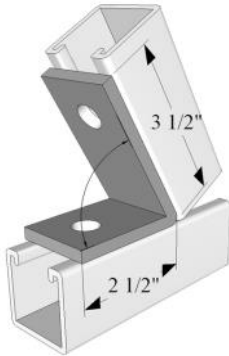
Four Hole Open Angle



PART NUMBER	DIMENSIONS	BOX QTY	WEIGHT/ 100 PCS	PLTD	SS304	SS316	ALUMI	HDG	YLW	GRN	PLN
OA-781-7-1/2	3-1/2" x 3-5/8"	25	75 lbs.	X							
OA-781-15	3-1/2" x 3-5/8"	25	75 lbs.	X							
OA-781-22-1/2	3-1/2" x 3-5/8"	25	75 lbs.	X							
OA-781-30	3-1/2" x 3-5/8"	25	75 lbs.	X	X						
OA-781-37-1/2	3-1/2" x 3-5/8"	25	75 lbs.	X							
OA-781-45	3-1/2" x 3-5/8"	25	75 lbs.	X	X	X		X			
OA-781-52-1/2	3-1/2" x 3-5/8"	25	75 lbs.	X							
OA-781-60	3-1/2" x 3-5/8"	25	75 lbs.	X	X						
OA-781-67-1/2	3-1/2" x 3-5/8"	25	75 lbs.	X							
OA-781-75	3-1/2" x 3-5/8"	25	75 lbs.	X							
OA-781-82-1/2	3-1/2" x 3-5/8"	25	75 lbs.	X							
Other Finishes Available by Special Order											

CA-624 SERIES

Two Hole
Closed Angle

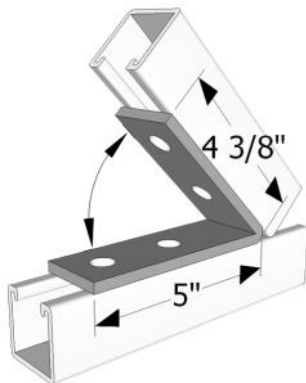


PART NUMBER	DIMENSIONS	BOX QTY	WEIGHT/100 PCS	PLTD	SS304	SS316	ALUM	HDG	YLW	GRN	PLN
CA-624-30	2-1/2" x 3-1/2"	25	58 lbs.	X							
CA-624-37-1/2	2-1/2" x 3-1/2"	25	58 lbs.	X							
CA-624-45	2-1/2" x 3-1/2"	25	58 lbs.	X	X	X					
CA-624-52-1/2	2-1/2" x 3-1/2"	25	58 lbs.	X							
CA-624-60	2-1/2" x 3-1/2"	25	58 lbs.	X							
CA-624-67-1/2	2-1/2" x 3-1/2"	25	58 lbs.	X							
CA-624-75	2-1/2" x 3-1/2"	25	58 lbs.	X							
CA-624-82-1/2	2-1/2" x 3-1/2"	25	58 lbs.	X							

Other Finishes Available by Special Order

CA-793 SERIES

Four Hole
Closed Angle

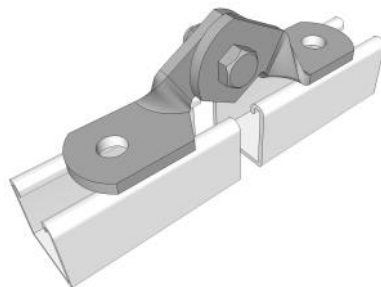


PART NUMBER	DIMENSIONS	BOX QTY	WEIGHT/100 PCS	PLTD	SS304	SS316	ALUM	HDG	YLW	GRN	PLN
CA-793-37-1/2	4-3/8" x 5"	20	98 lbs.	X							
CA-793-45	4-3/8" x 5"	20	98 lbs.	X	X		X				
CA-793-52-1/2	4-3/8" x 5"	20	98 lbs.	X							
CA-793-60	4-3/8" x 5"	20	98 lbs.	X							
CA-793-67-1/2	4-3/8" x 5"	20	98 lbs.	X							
CA-793-75	4-3/8" x 5"	20	98 lbs.	X							
CA-793-82-1/2	4-3/8" x 5"	20	98 lbs.	X							

Other Finishes Available by Special Order

AH-335-1

Two Hole Adjustable Hinge
Two 9/16" Holes
Includes
Hinge Bolt and Nut



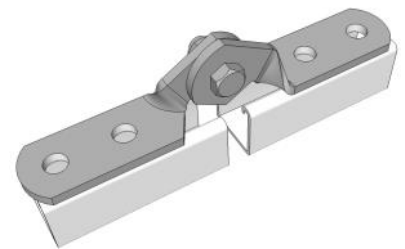
10 Pcs/Box
80 lbs./100 Pcs

	PLTD	SS304	SS316	ALUM	HDG	YLW	GRN	PLN
Stocked in	X							

Other Finishes Available by Special Order

AH-335

Four Hole Adjustable Hinge
Four 9/16" Holes
Includes
Hinge Bolt and Nut



10 Pcs/Box
110 lbs./100 Pcs

	PLTD	SS304	SS316	ALUM	HDG	YLW	GRN	PLN
Stocked in	X							

Other Finishes Available by Special Order

MATERIAL WIDTH: 1-5/8" THICKNESS: 1/4" HOLE DIAMETER: 9/16" HOLE SPACING: 1-7/8" HOLE CENTER FROM EDGE: 13/16"

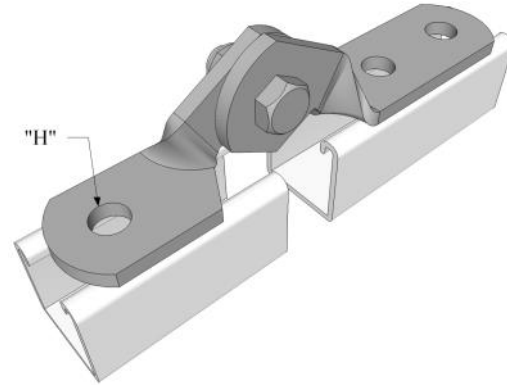
AH-335-2 Series

Three Hole Adjustable Hinge

Two 9/16" Holes

One "H" Hole Size

Includes Hinge Bolt and Nut



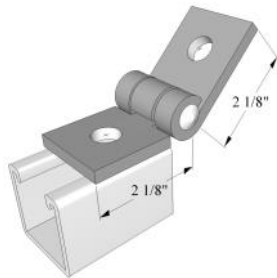
PART NUMBER	"H"	BOX QTY	WEIGHT/ 100 PCS
AH-335-2-3/8	7/16"	10	96 lbs.
AH-335-2-1/2	9/16"	10	94 lbs.
AH-335-2-5/8	11/16"	10	92 lbs.
AH-335-2-3/4	13/16"	10	90 lbs.

Stocked in	PLTD	SS304	SS316	ALUM	HDG	YLW	GRN	PLN
	X							
Other Finishes Available by Special Order								

AH-1843

Two Hole Adjustable Hinge

Two 9/16" Mounting Holes



10 Pcs/Box

63 lbs./100 Pcs

Stocked in	PLTD	SS304	SS316	ALUM	HDG	YLW	GRN	PLN
	X							
Other Finishes Available by Special Order								

AH-1354

Four Hole Adjustable Hinge

Four 9/16" Mounting Holes



10 Pcs/Box

97 lbs./100 Pcs

Stocked in	PLTD	SS304	SS316	ALUM	HDG	YLW	GRN	PLN
	X							
Other Finishes Available by Special Order								

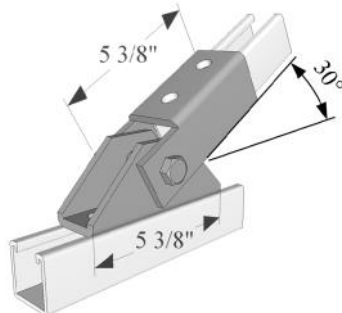
AB-9400

Adjustable Brace

For Single

1-5/8" x 1-5/8" Strut

Includes Hinge Bolts and Nuts



5 Pcs/Box

305 lbs./100 Pcs

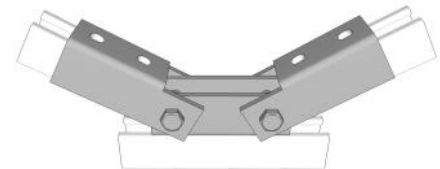
Stocked in	PLTD	SS304	SS316	ALUM	HDG	YLW	GRN	PLN
	X							
Other Finishes Available by Special Order								

AB-9401

Adjustable Brace For Double

1-5/8" x 1-5/8" Strut

Includes Hinge Bolts and Nuts



5 Pcs/Box

495 lbs./100 Pcs

Stocked in	PLTD	SS304	SS316	ALUM	HDG	YLW	GRN	PLN
	X							
Other Finishes Available by Special Order								

MATERIAL WIDTH: 1-5/8" THICKNESS: 1/4" HOLE DIAMETER: 9/16" HOLE SPACING: 1-7/8" HOLE CENTER FROM EDGE: 13/16"

Tel: 1-800-399-3244
Tel: 1-330-399-3344
Fax: 1-330-399-3482



NOTES

MATERIAL WIDTH: 1-5/8" THICKNESS: 1/4" HOLE DIAMETER: 9/16" HOLE SPACING: 1-7/8" HOLE CENTER FROM EDGE: 13/16"



Tel: 1-800-399-3244

Tel: 1-330-399-3344

Fax: 1-330-399-3482

Not finding the part you're looking for, give us a call

MATERIAL WIDTH: 1-5/8" THICKNESS: 1/4" HOLE DIAMETER: 9/16" HOLE SPACING: 1-7/8" HOLE CENTER FROM EDGE: 13/16"

US-929
 Three Hole
 “U” Support For
 1-5/8” x 13/16” Strut

25 Pcs/Box
 66 lbs./100 Pcs

	PLTD	SS304	SS316	ALUM	HDG	YLW	GRN	PLN
Stocked in	X							
Other Finishes Available by Special Order								

US-978
 Three Hole
 “U” Support
 For 1-5/8” x 1” Strut

25 Pcs/Box
 71 lbs./100 Pcs

	PLTD	SS304	SS316	ALUM	HDG	YLW	GRN	PLN
Stocked in	X							
Other Finishes Available by Special Order								

US-710
 Three Hole
 “U” Support For
 1-5/8” x 1-3/8” Strut

25 Pcs/Box
 84 lbs./100 Pcs

	PLTD	SS304	SS316	ALUM	HDG	YLW	GRN	PLN
Stocked in	X							
Other Finishes Available by Special Order								

US-613
 Five Hole
 “U” Support For
 1-5/8” x 1-5/8” Strut

15 Pcs/Box
 85 lbs./100 Pcs

	PLTD	SS304	SS316	ALUM	HDG	YLW	GRN	PLN
Stocked in	X	X	X					
Other Finishes Available by Special Order								

US-2648
 Three Hole
 “U” Support For
 1-5/8” x 2-7/16”
 Strut

10 Pcs/Box
 108 lbs./100 Pcs

	PLTD	SS304	SS316	ALUM	HDG	YLW	GRN	PLN
Stocked in	X							
Other Finishes Available by Special Order								

US-679
 Seven Hole
 “U” Support
 For 1-5/8” x 3-1/4”
 Strut

10 Pcs/Box
 121 lbs./100 Pcs

	PLTD	SS304	SS316	ALUM	HDG	YLW	GRN	PLN
Stocked in	X							
Other Finishes Available by Special Order								

MATERIAL WIDTH: 1-5/8” THICKNESS: 1/4” HOLE DIAMETER: 9/16” HOLE SPACING: 1-7/8” HOLE CENTER FROM EDGE: 13/16”

“U” FITTINGS

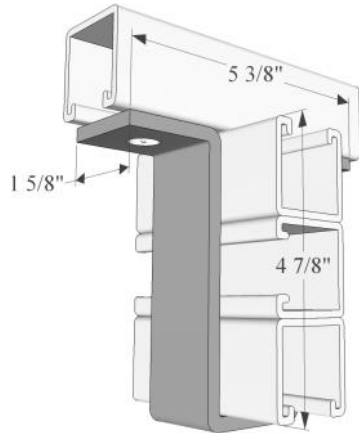


Tel: 1-800-399-3244

Tel: 1-330-399-3344

Fax: 1-330-399-3482

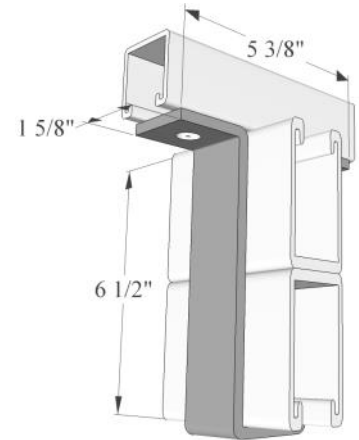
US-2473
Three Hole
“U” Support
For 1-5/8” x 4-7/8”
Strut Combination



10 Pcs/Box
197 lbs./100 Pcs

Stocked in	PLTD	SS304	SS316	ALUM	HDG	YLW	GRN	PLN
	X							
Other Finishes Available by Special Order								

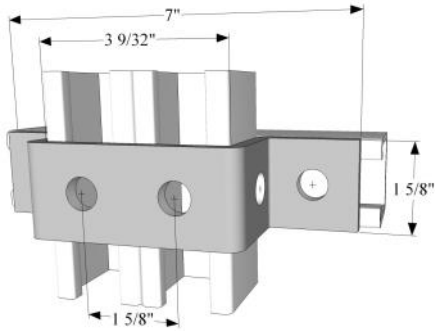
US-2473-6-1/2”
Three Hole
“U” Support
For 1-5/8” x 6-1/2”
Strut Combination



10 Pcs/Box
200 lbs./100 Pcs

Stocked in	PLTD	SS304	SS316	ALUM	HDG	YLW	GRN	PLN
	X							
Other Finishes Available by Special Order								

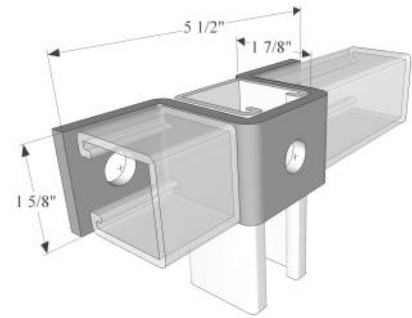
US-721
Six Hole
“U” Support for
1-5/8” x 3-1/4”
Strut



10 Pcs/Box
103 lbs./100 Pcs

Stocked in	PLTD	SS304	SS316	ALUM	HDG	YLW	GRN	PLN
	X							
Other Finishes Available by Special Order								

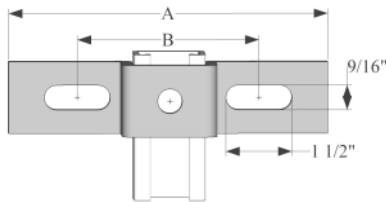
US-2119
Three Hole Offset
“U” Support for
1-5/8” x 1-5/8”
Strut



10 Pcs/Box
95 lbs./100 Pcs

Stocked in	PLTD	SS304	SS316	ALUM	HDG	YLW	GRN	PLN
	X							
Other Finishes Available by Special Order								

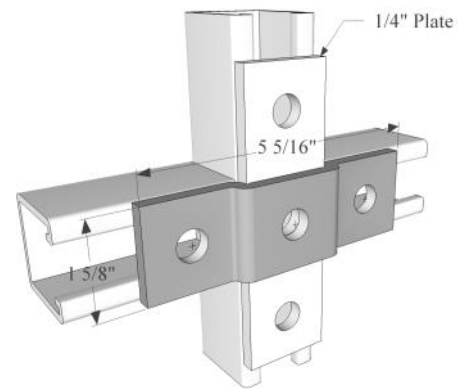
US-687 Series
Adjustable “U”
Support for
1-5/8” x 1-5/8”
Strut



PART NUMBER	'A' LENGTH	'B' LENGTH	BOX QTY	WEIGHT/ 100 PCS
US-687-A	7-1/4"	4-1/8"	10	100 lbs.
US-687-B	8-1/2"	5-3/8"	10	117 lbs.
US-687-C	10-3/8"	7-1/4"	10	130 lbs.

Stocked in	PLTD	SS304	SS316	ALUM	HDG	YLW	GRN	PLN
	X							
Other Finishes Available by Special Order								

US-709
Three Hole
Offset Plate
Connection

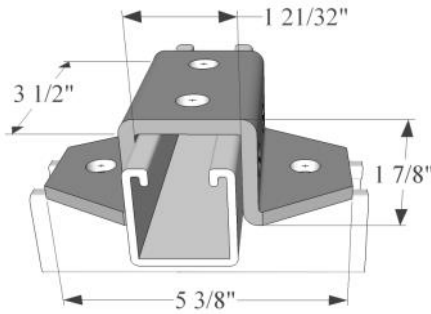


10 Pcs/Box
58 lbs./100 Pcs

Stocked in	PLTD	SS304	SS316	ALUM	HDG	YLW	GRN	PLN
	X							
Other Finishes Available by Special Order								

MATERIAL WIDTH: 1-5/8” THICKNESS: 1/4” HOLE DIAMETER: 9/16” HOLE SPACING: 1-7/8” HOLE CENTER FROM EDGE: 13/16”

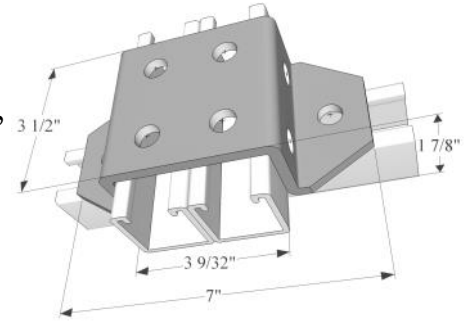
US-733
 Eight Hole “U”
 Support for
 1-5/8” x 1-5/8”
 Strut



10 Pcs/Box
 171 lbs./100 Pcs

	PLTD	SS304	SS316	ALUM	HDG	YLW	GRN	PLN
Stocked in	X							
Other Finishes Available by Special Order								

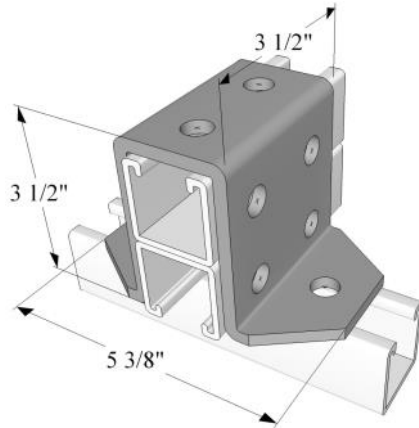
US-734
 Ten Hole “U”
 Support for
 1-5/8” x 3-1/4”
 Strut



5 Pcs/Box
 208 lbs./100 Pcs

	PLTD	SS304	SS316	ALUM	HDG	YLW	GRN	PLN
Stocked in	X							
Other Finishes Available by Special Order								

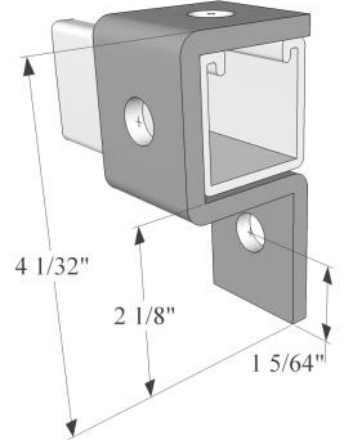
US-735
 Twelve Hole
 “U” Support for
 1-5/8” x 3-1/4”
 Strut



5 Pcs/Box
 250 lbs./100 Pcs

	PLTD	SS304	SS316	ALUM	HDG	YLW	GRN	PLN
Stocked in	X							
Other Finishes Available by Special Order								

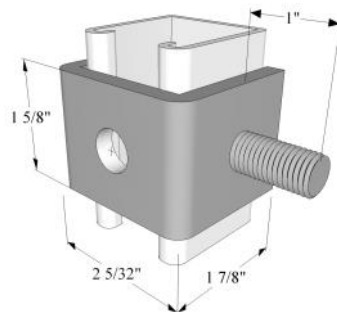
CS-677
 Four Hole “U” Cup
 Support for
 1-5/8” x 1-5/8”
 Strut



25 Pcs/Box
 76 lbs./100 Pcs

	PLTD	SS304	SS316	ALUM	HDG	YLW	GRN	PLN
Stocked in	X							
Other Finishes Available by Special Order								

RC-1320
 One Stud “U” Fitting
 1/2”-13 x 1” Stud



25 Pcs/Box
 63 lbs./100 Pcs

	PLTD	SS304	SS316	ALUM	HDG	YLW	GRN	PLN
Stocked in	X							
Other Finishes Available by Special Order								

MATERIAL WIDTH: 1-5/8” THICKNESS: 1/4” HOLE DIAMETER: 9/16” HOLE SPACING: 1-7/8” HOLE CENTER FROM EDGE: 13/16”

“U” FITTINGS



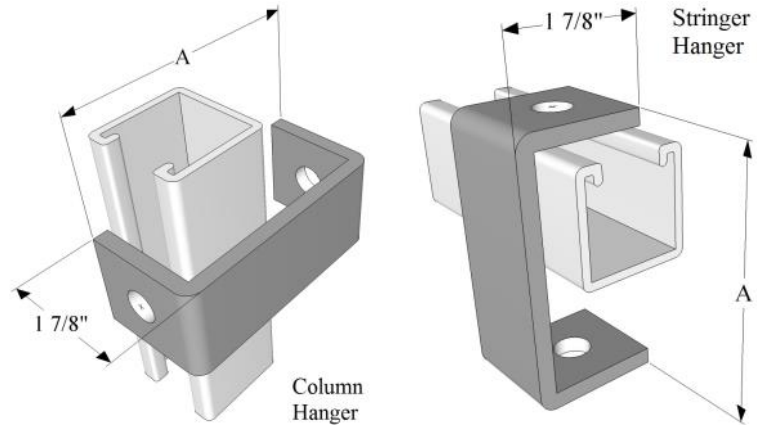
Tel: 1-800-399-3244

Tel: 1-330-399-3344

Fax: 1-330-399-3482

CH-993 Series 2 Hole Column or Stringer Inside Clevis Hanger

PART NUMBER	'A' Length	BOX QTY	WEIGHT/ 100 PCS
CH-993-4	4"	25	78 lbs.
CH-993-5	5"	25	89 lbs.
CH-993-6	6"	25	101 lbs.
CH-993-7	7"	25	112 lbs.
CH-993-8	8"	25	124 lbs.

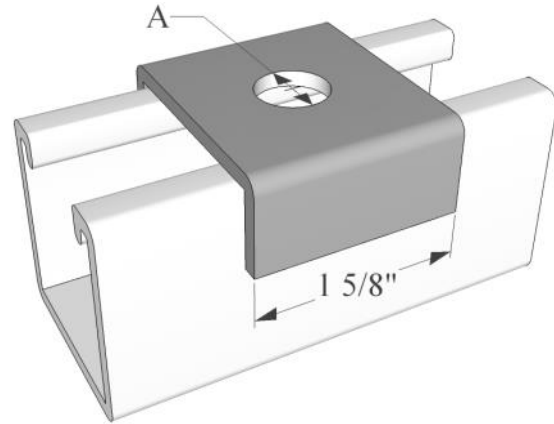


Stocked in	PLTD	SS304	SS316	ALUM	HDG	YLW	GRN	PLN
	X							

Other Finishes Available by Special Order

UW-450 Series 11 Gauge “U” Saddle Washer 1-5/8” Wide with 15/32” Return

PART NUMBER	Hole Size 'A'	BOX QTY	WEIGHT/ 100 PCS.
UW-450-3/8	7/16"	100	14 lbs.
UW-450-1/2	9/16"	100	13 lbs.
UW-450-5/8	11/16"	100	13 lbs.
UW-450-3/4	13/16"	100	13 lbs.

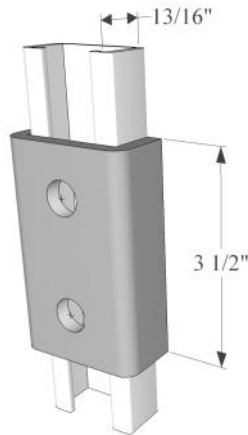


Stocked in	PLTD	SS304	SS316	ALUM	HDG	YLW	GRN	PLN
	X		X					

Other Finishes Available by Special Order

SP-644 Two Hole Splice Clevis for 1-5/8” x 13/16” Strut

20 Pcs/Box
85 lbs./100 Pcs

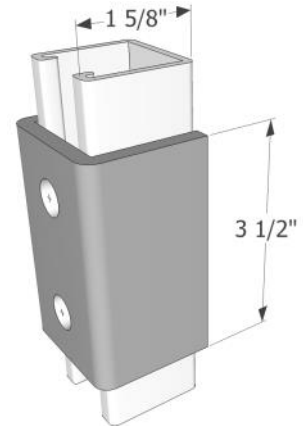


Stocked in	PLTD	SS304	SS316	ALUM	HDG	YLW	GRN	PLN
	X							

Other Finishes Available by Special Order

SP-631 Two Hole Splice Clevis for 1-5/8” x 1-5/8” Strut

10 Pcs/ Box
128 lbs./100 Pcs

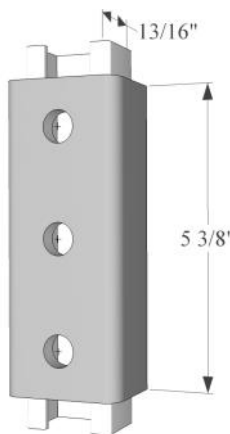


Stocked in	PLTD	SS304	SS316	ALUM	HDG	YLW	GRN	PLN
	X							

Other Finishes Available by Special Order

MATERIAL WIDTH: 1-5/8” THICKNESS: 1/4” HOLE DIAMETER: 9/16” HOLE SPACING: 1-7/8” HOLE CENTER FROM EDGE: 13/16”

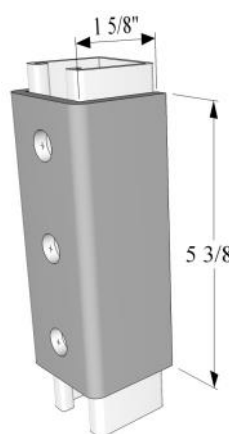
SP-645
 Three Hole
 Splice Clevis for
 1-5/8" x 13/16" Strut



10 Pcs/Box
 130 lbs./100 Pcs

	PLTD	SS304	SS316	ALUM	HDG	YLW	GRN	PLN
Stocked in	X							
Other Finishes Available by Special Order								

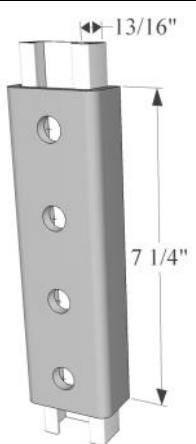
SP-629
 Three Hole
 Splice Clevis for
 1-5/8" x 1-5/8" Strut



10 Pcs/Box
 197 lbs./100 Pcs

	PLTD	SS304	SS316	ALUM	HDG	YLW	GRN	PLN
Stocked in	X							
Other Finishes Available by Special Order								

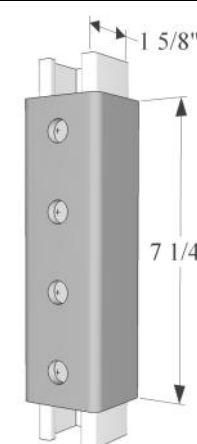
SP-646
 Four Hole
 Splice Clevis for
 1-5/8" x 13/16" Strut



10 Pcs/Box
 176 lbs./100 Pcs

	PLTD	SS304	SS316	ALUM	HDG	YLW	GRN	PLN
Stocked in	X							
Other Finishes Available by Special Order								

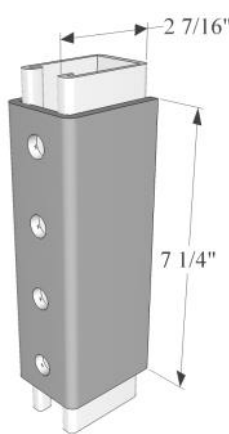
SP-616
 Four Hole
 Splice Clevis for
 1-5/8" x 1-5/8" Strut



10 Pcs/Box
 234 lbs./100 Pcs

	PLTD	SS304	SS316	ALUM	HDG	YLW	GRN	PLN
Stocked in	X	X						
Other Finishes Available by Special Order								

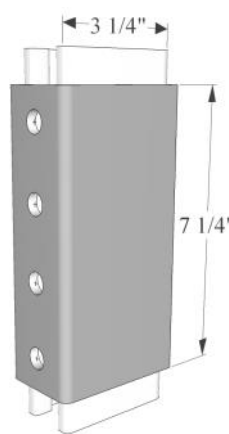
SP-616-15
 Four Hole
 Splice Clevis for
 1-5/8" x 2-7/16" Strut



5 Pcs/Box
 352 lbs./100 Pcs

	PLTD	SS304	SS316	ALUM	HDG	YLW	GRN	PLN
Stocked in	X							
Other Finishes Available by Special Order								

SP-616-1
 Four Hole
 Splice Clevis for
 1-5/8" x 3-1/4" Strut



5 Pcs/Box
 410 lbs./100 Pcs

	PLTD	SS304	SS316	ALUM	HDG	YLW	GRN	PLN
Stocked in	X							
Other Finishes Available by Special Order								

MATERIAL WIDTH: 1-5/8" THICKNESS: 1/4" HOLE DIAMETER: 9/16" HOLE SPACING: 1-7/8" HOLE CENTER FROM EDGE: 13/16"



Tel: 1-800-399-3244

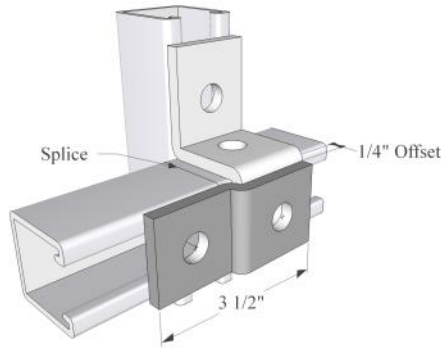
Tel: 1-330-399-3344

Fax: 1-330-399-3482

NOTES

MATERIAL WIDTH: 1-5/8" THICKNESS: 1/4" HOLE DIAMETER: 9/16" HOLE SPACING: 1-7/8" HOLE CENTER FROM EDGE: 13/16"

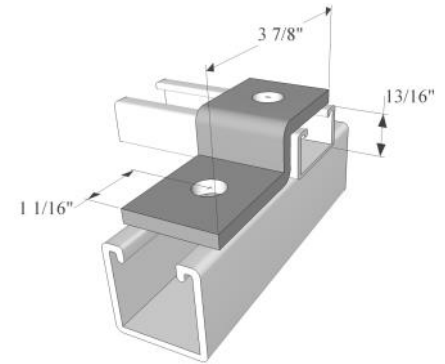
ZE-920
 Two Hole
 1/4” Offset
 “Z” Support



50 Pcs/Box
 38 lbs./100 Pcs

	PLTD	SS304	SS316	ALUM	HDG	YLW	GRN	PLN
Stocked in	X							
Other Finishes Available by Special Order								

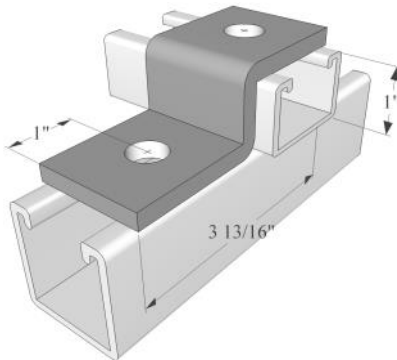
ZE-928
 Two Hole
 “Z” Support for
 1-5/8” x 13/16”
 Strut



25 Pcs/Box
 47 lbs./100 Pcs

	PLTD	SS304	SS316	ALUM	HDG	YLW	GRN	PLN
Stocked in	X							
Other Finishes Available by Special Order								

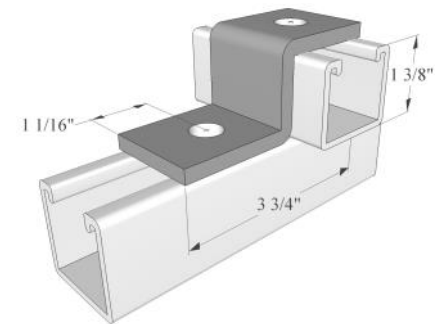
ZE-612
 Two Hole
 “Z” Support for
 1-5/8” x 1” Strut



25 Pcs/Box
 47 lbs./100 Pcs

	PLTD	SS304	SS316	ALUM	HDG	YLW	GRN	PLN
Stocked in	X							
Other Finishes Available by Special Order								

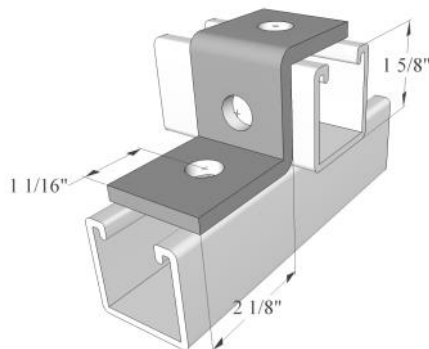
ZE-711
 Two Hole
 “Z” Support for
 1-5/8” x 1-3/8”
 Strut



25 Pcs/Box
 53 lbs./100 Pcs

	PLTD	SS304	SS316	ALUM	HDG	YLW	GRN	PLN
Stocked in	X	X						
Other Finishes Available by Special Order								

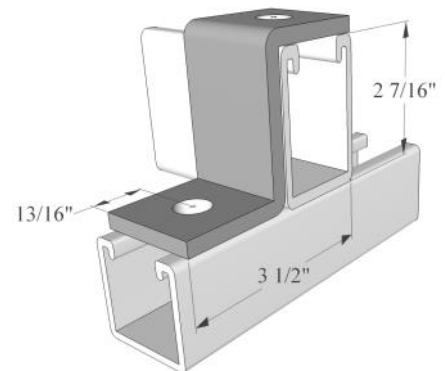
ZE-611
 Three Hole
 “Z” Support for
 1-5/8” x 1-5/8”
 Strut



25 Pcs/Box
 53 lbs./100 Pcs

	PLTD	SS304	SS316	ALUM	HDG	YLW	GRN	PLN
Stocked in	X	X	X					
Other Finishes Available by Special Order								

ZE-2601
 Two Hole
 “Z” Support for
 1-5/8” x 2-7/16”
 Strut



25 Pcs/Box
 67 lbs./100 Pcs

	PLTD	SS304	SS316	ALUM	HDG	YLW	GRN	PLN
Stocked in	X							
Other Finishes Available by Special Order								

MATERIAL WIDTH: 1-5/8” THICKNESS: 1/4” HOLE DIAMETER: 9/16” HOLE SPACING: 1-7/8” HOLE CENTER FROM EDGE: 13/16”

“Z” FITTINGS

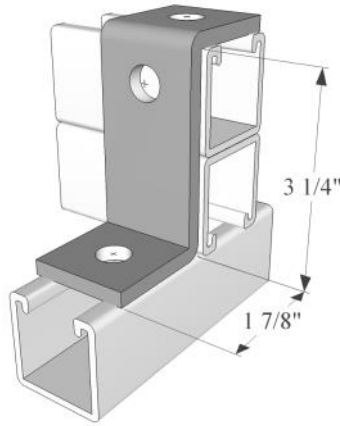


Tel: 1-800-399-3244

Tel: 1-330-399-3344

Fax: 1-330-399-3482

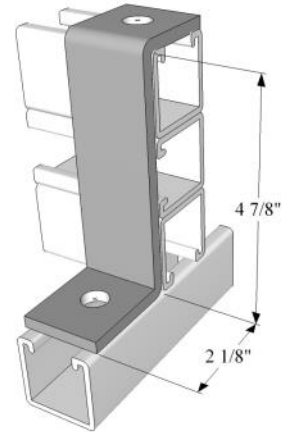
ZE-756
Three Hole
“Z” Support for
1-5/8” x 3-1/4” Strut
Or Strut Combination



25 Pcs/Box
70 lbs./100 Pcs

	PLTD	SS304	SS316	ALUM	HDG	YLW	GRN	PLN
Stocked in	X							
Other Finishes Available by Special Order								

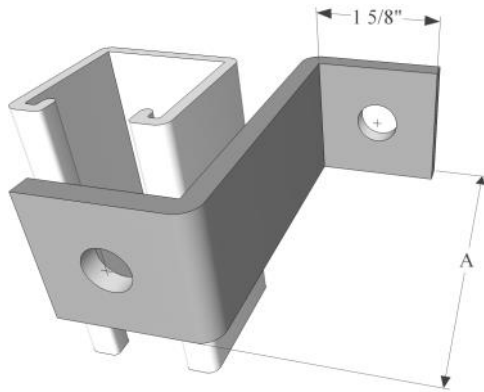
ZE-586
Two Hole
“Z” Support for
1-5/8” x 4-7/8”
Strut Combination



25 Pcs/Box
90 lbs./100 Pcs

	PLTD	SS304	SS316	ALUM	HDG	YLW	GRN	PLN
Stocked in	X							
Other Finishes Available by Special Order								

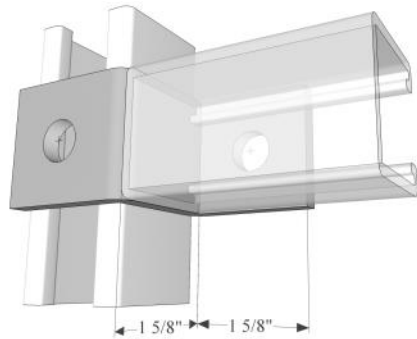
ZE-3060 Series
Two Hole Offset “Z” Support



PART NUMBER	'A'	BOX QTY	WEIGHT/100 PCS
ZE-3060-4	4"	25	81 lbs.
ZE-3060-5	5"	25	92 lbs.
ZE-3060-6	6"	25	104 lbs.
ZE-3060-7	7"	25	115 lbs.
ZE-3060-8	8"	25	127 lbs.

	PLTD	SS304	SS316	ALUM	HDG	YLW	GRN	PLN
Stocked in	X							
Other Finishes Available by Special Order								

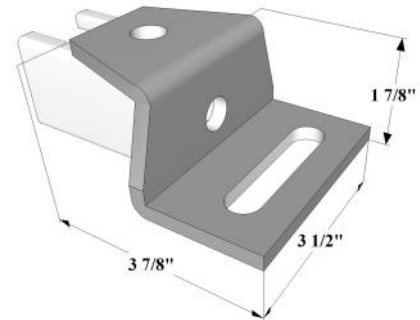
ZE-647
Two Hole
1-7/8” Offset
“Z” Support for
1-5/8” x 1-5/8”
Strut



25 Pcs/Box
55 lbs./100 Pcs

	PLTD	SS304	SS316	ALUM	HDG	YLW	GRN	PLN
Stocked in	X							
Other Finishes Available by Special Order								

ZE-692
1-5/8” Offset
Adjustable Gusseted
“Z” Support
Two Holes
9/16” x 2-1/2” Slot



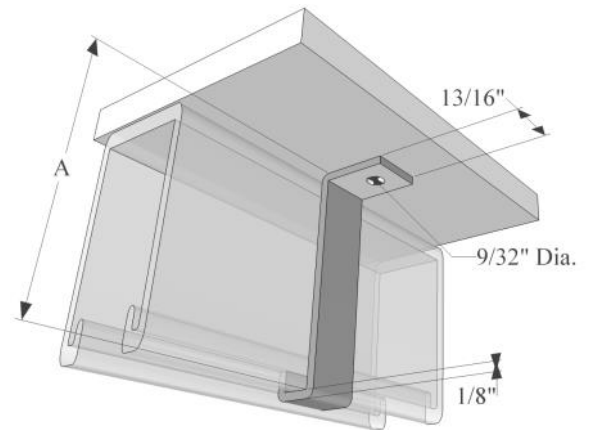
20 Pcs/Box
93 lbs./100 Pcs

	PLTD	SS304	SS316	ALUM	HDG	YLW	GRN	PLN
Stocked in	X							
Other Finishes Available by Special Order								

MATERIAL WIDTH: 1-5/8” THICKNESS: 1/4” HOLE DIAMETER: 9/16” HOLE SPACING: 1-7/8” HOLE CENTER FROM EDGE: 13/16”

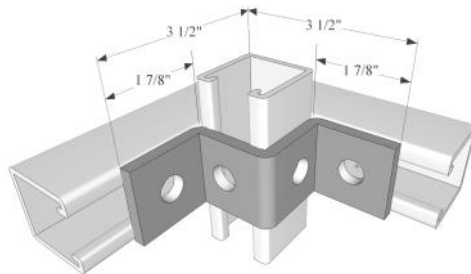
ZE-2532-Series
 Shelf Attachment or
 Channel Hanger Bracket

PART NUMBER	A	BOX QTY	WEIGHT/ 100 PCS
ZE-2532-13/16	13/16"	25	6.7 lbs.
ZE-2532-1-3/8	1-3/8"	25	8.3 lbs.
ZE-2532-1-5/8	1-5/8"	25	9 lbs.
ZE-2532-2-7/16	2-7/16"	25	11.2 lbs.
ZE-2532-3-1/4	3-1/4"	25	13.4 lbs.



Stocked in	PLTD	SS304	SS316	ALUM	HDG	YLW	GRN	PLN
	X							
Other Finishes Available by Special Order								

CC-2054
 Four Hole
 Corner
 Connector



10 Pcs/Box
 66 lbs./100 Pcs

Stocked in	PLTD	SS304	SS316	ALUM	HDG	YLW	GRN	PLN
	X							
Other Finishes Available by Special Order								

WING FITTINGS

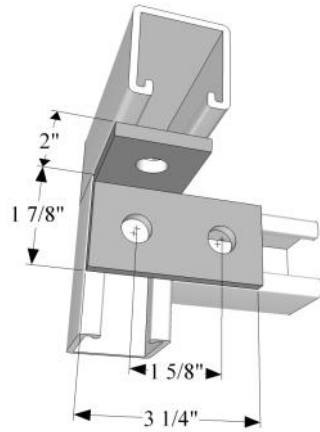


Tel: 1-800-399-3244

Tel: 1-330-399-3344

Fax: 1-330-399-3482

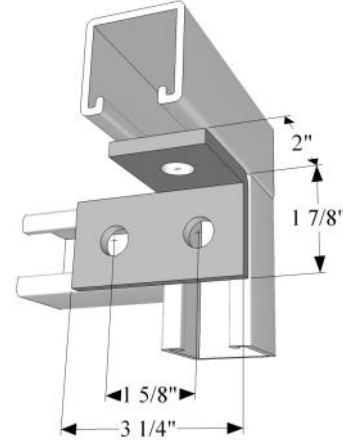
WF-720-L
 Three Hole
 Left Hand
 90° Offset Angle
 1-7/8" x 3-1/4"



25 Pcs/Box
 93 lbs./100 Pcs

	PLTD	SS304	SS316	ALUM	HDG	YLW	GRN	PLN
Stocked in	X							
Other Finishes Available by Special Order								

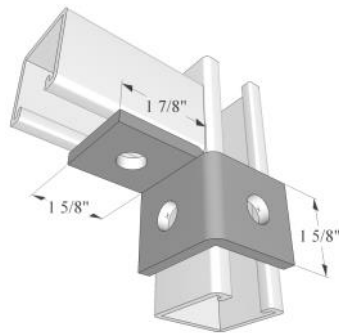
WF-720-R
 Three Hole
 Right Hand
 90° Offset Angle
 1-7/8" x 3-1/4"



25 Pcs/Box
 93 lbs./100 Pcs

	PLTD	SS304	SS316	ALUM	HDG	YLW	GRN	PLN
Stocked in	X							
Other Finishes Available by Special Order								

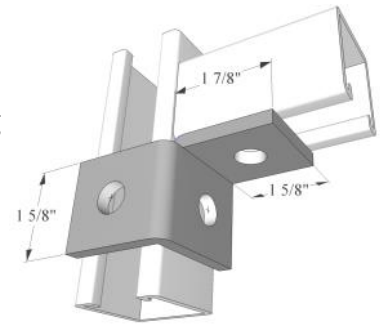
WF-922-L
 Three Hole
 Left Hand Single
 Corner Wing Fitting
 1-7/8" Single Wing



20 Pcs/Box
 60 lbs./100 Pcs

	PLTD	SS304	SS316	ALUM	HDG	YLW	GRN	PLN
Stocked in	X							
Other Finishes Available by Special Order								

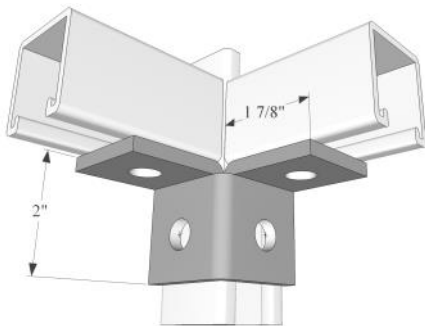
WF-922-R
 Three Hole
 Right Hand Single
 Corner Wing Fitting
 1-7/8" Single Wing



20 Pcs/Box
 60 lbs./100 Pcs

	PLTD	SS304	SS316	ALUM	HDG	YLW	GRN	PLN
Stocked in	X							
Other Finishes Available by Special Order								

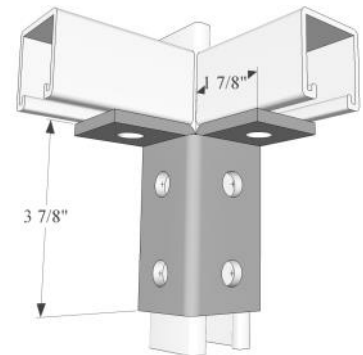
WF-665
 Four Hole
 Double Corner
 Wing Fitting
 1-7/8" Double
 Wing



25 Pcs/Box
 76 lbs./100 Pcs

	PLTD	SS304	SS316	ALUM	HDG	YLW	GRN	PLN
Stocked in	X	X						
Other Finishes Available by Special Order								

WF-666
 Six Hole
 Double Corner
 Wing Fitting
 1-7/8" Double
 Wing



25 Pcs/Box
 115 lbs./100 Pcs

	PLTD	SS304	SS316	ALUM	HDG	YLW	GRN	PLN
Stocked in	X	X						
Other Finishes Available by Special Order								

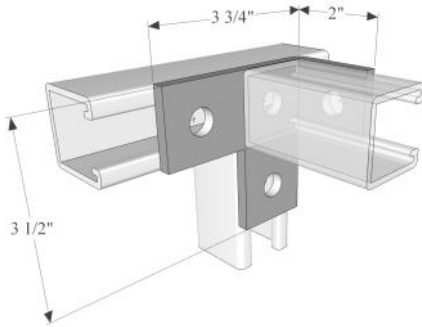
MATERIAL WIDTH: 1-5/8" THICKNESS: 1/4" HOLE DIAMETER: 9/16" HOLE SPACING: 1-7/8" HOLE CENTER FROM EDGE: 13/16"

Tel: 1-800-399-3244
 Tel: 1-330-399-3344
 Fax: 1-330-399-3482



WING FITTINGS

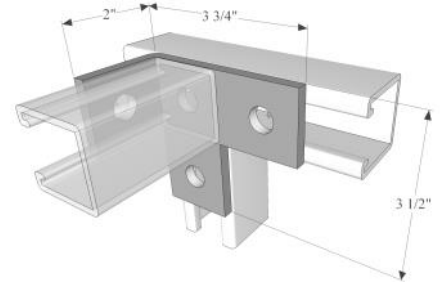
TP-716-R
 Four Hole
 Left Hand 90°
 Offset Bent Tee
 3-1/2" x 2"



25 Pcs/Box
 80 lbs./100 Pcs

	PLTD	SS304	SS316	ALUM	HDG	YLW	GRN	PLN
Stocked in	X							
Other Finishes Available by Special Order								

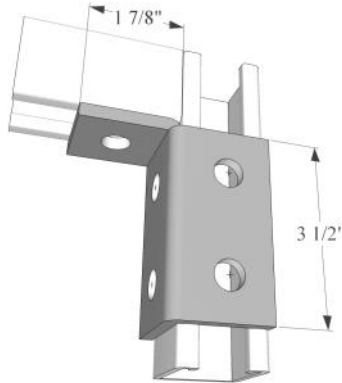
TP-716-L
 Four Hole
 Right Hand 90°
 Offset Bent Tee
 3-1/2" x 2"



25 Pcs/Box
 80 lbs./100 Pcs

	PLTD	SS304	SS316	ALUM	HDG	YLW	GRN	PLN
Stocked in	X							
Other Finishes Available by Special Order								

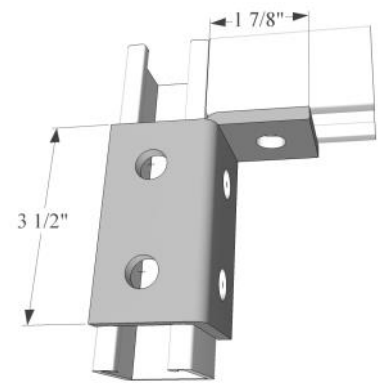
WF-2131-L
 Five Hole
 Left Hand Single
 Corner Wing Fitting
 1-7/8" Single Wing



10 Pcs/Box
 114 lbs./100 Pcs

	PLTD	SS304	SS316	ALUM	HDG	YLW	GRN	PLN
Stocked in	X							
Other Finishes Available by Special Order								

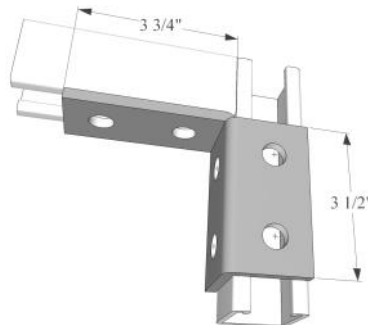
WF-2131-R
 Five Hole
 Right Hand Single
 Corner Wing Fitting
 1-7/8" Single Wing



10 Pcs/Box
 114 lbs./100 Pcs

	PLTD	SS304	SS316	ALUM	HDG	YLW	GRN	PLN
Stocked in	X							
Other Finishes Available by Special Order								

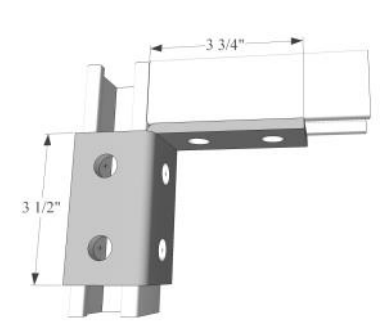
WF-2128-L
 Six Hole
 Left Hand Single
 Corner Wing Fitting
 3-3/4" Single Wing



10 Pcs/Box
 119 lbs./100 Pcs

	PLTD	SS304	SS316	ALUM	HDG	YLW	GRN	PLN
Stocked in	X							
Other Finishes Available by Special Order								

WF-2128-R
 Six Hole
 Right Hand Single
 Corner Wing Fitting
 3-3/4" Single Wing



10 Pcs/Box
 119 lbs./100 Pcs

	PLTD	SS304	SS316	ALUM	HDG	YLW	GRN	PLN
Stocked in	X							
Other Finishes Available by Special Order								

MATERIAL WIDTH: 1-5/8" THICKNESS: 1/4" HOLE DIAMETER: 9/16" HOLE SPACING: 1-7/8" HOLE CENTER FROM EDGE: 13/16"

WING FITTINGS

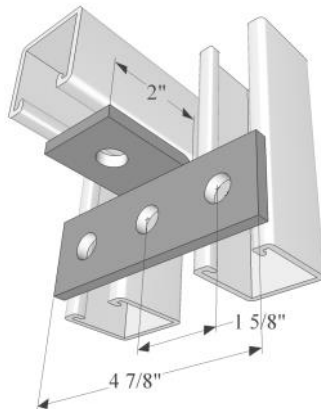


Tel: 1-800-399-3244

Tel: 1-330-399-3344

Fax: 1-330-399-3482

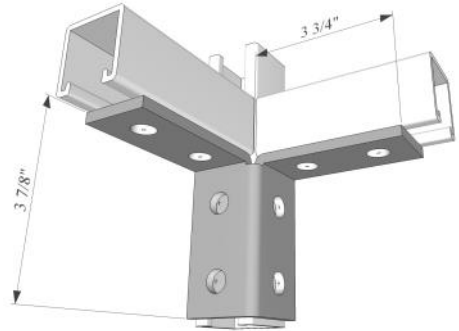
TP-715
Four Hole
Tee Plate 90° Angle
Wing Fitting
2" x 4-7/8"



25 Pcs/Box
119 lbs./100 Pcs

Stocked in	PLTD	SS304	SS316	ALUM	HDG	YLW	GRN	PLN
	X							
Other Finishes Available by Special Order								

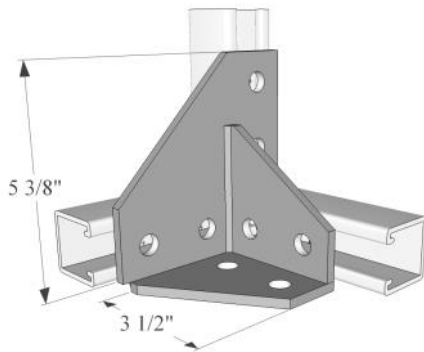
WF-667
Eight Hole
Double Corner
Wing Fitting
3-3/4" Double
Wing



10 Pcs/Box
156 lbs./100 Pcs

Stocked in	PLTD	SS304	SS316	ALUM	HDG	YLW	GRN	PLN
	X	X						
Other Finishes Available by Special Order								

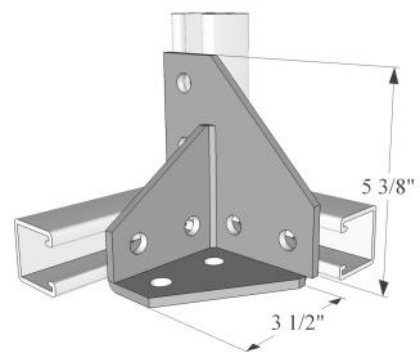
WF-346-L
Eight Hole
Left Hand
Double Corner
Gusseted
Connection



5 Pcs/Box
248 lbs./100 Pcs

Stocked in	PLTD	SS304	SS316	ALUM	HDG	YLW	GRN	PLN
	X							
Other Finishes Available by Special Order								

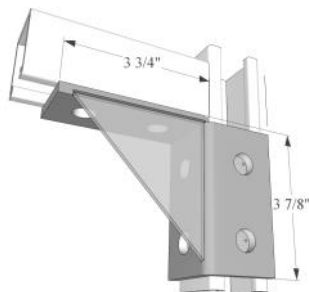
WF-346-R
Eight Hole
Right Hand
Double Corner
Gusseted
Connection



5 Pcs/Box
248 lbs./100 Pcs

Stocked in	PLTD	SS304	SS316	ALUM	HDG	YLW	GRN	PLN
	X							
Other Finishes Available by Special Order								

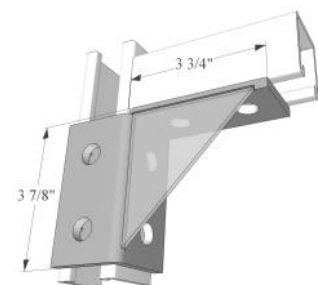
WF-2129-L
Six Hole Left Hand
Single Corner Gusseted
Wing Fitting
3-7/8" x 3-3/4"
1/8" Thick Welded Gussets



10 Pcs/Box
176 lbs./100 Pcs

Stocked in	PLTD	SS304	SS316	ALUM	HDG	YLW	GRN	PLN
	X							
Other Finishes Available by Special Order								

WF-2129-R
Six Hole Right Hand
Single Corner Gusseted
Wing Fitting
3-7/8" x 3-3/4"
1/8" Thick Welded Gussets



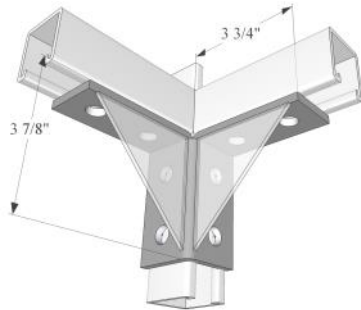
10 Pcs/Box
176 lbs./100 Pcs

Stocked in	PLTD	SS304	SS316	ALUM	HDG	YLW	GRN	PLN
	X							
Other Finishes Available by Special Order								

MATERIAL WIDTH: 1-5/8" THICKNESS: 1/4" HOLE DIAMETER: 9/16" HOLE SPACING: 1-7/8" HOLE CENTER FROM EDGE: 13/16"

WF-943

Eight Hole
 Double Corner
 Gusseted Wing Fitting
 1/8" Thick Welded
 Gussets

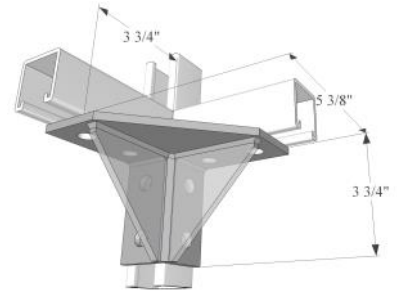


5 Pcs/Box
 217 lbs./100 Pcs

	PLTD	SS304	SS316	ALUM	HDG	YLW	GRN	PLN
Stocked in	X							
Other Finishes Available by Special Order								

WF-2514

Eight Hole
 Double Corner
 Gusseted Wing Fitting
 1/4" Thick Welded
 Gussets

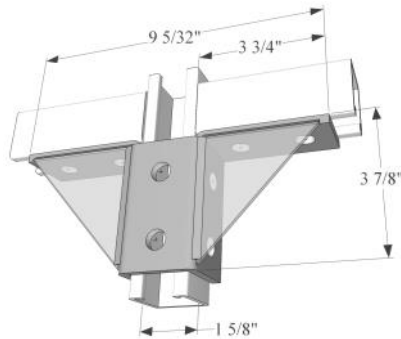


5 Pcs/Box
 315 lbs./100 Pcs

	PLTD	SS304	SS316	ALUM	HDG	YLW	GRN	PLN
Stocked in	X							
Other Finishes Available by Special Order								

WF-945

Ten Hole
 Double Wing
 Gusseted Connection
 1/8" Thick Welded
 Gussets

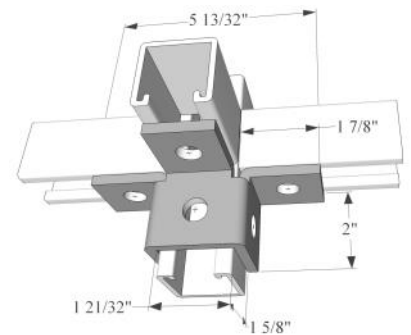


5 Pcs/Box
 210 lbs./100 Pcs

	PLTD	SS304	SS316	ALUM	HDG	YLW	GRN	PLN
Stocked in	X							
Other Finishes Available by Special Order								

WF-668

Six Hole
 Triple Corner
 Wing Fitting
 1-7/8" Triple Wing

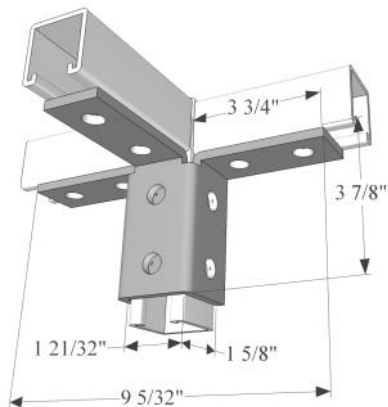


10 Pcs/Box
 107 lbs./100 Pcs

	PLTD	SS304	SS316	ALUM	HDG	YLW	GRN	PLN
Stocked in	X	X						
Other Finishes Available by Special Order								

WF-669

Twelve Hole
 Triple Corner
 Wing Fitting
 3-3/4" Triple Wing

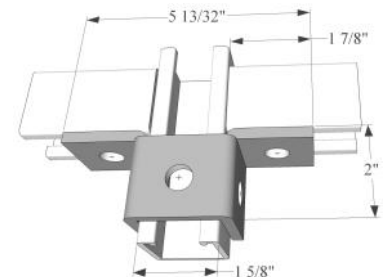


10 Pcs/Box
 249 lbs./100 Pcs

	PLTD	SS304	SS316	ALUM	HDG	YLW	GRN	PLN
Stocked in	X	X						
Other Finishes Available by Special Order								

WF-923

Five Hole
 Double Corner
 Wing Fitting
 1-7/8" Double Wing



10 Pcs/Box
 93 lbs./100 Pcs

	PLTD	SS304	SS316	ALUM	HDG	YLW	GRN	PLN
Stocked in	X	X	X					X
Other Finishes Available by Special Order								

MATERIAL WIDTH: 1-5/8" THICKNESS: 1/4" HOLE DIAMETER: 9/16" HOLE SPACING: 1-7/8" HOLE CENTER FROM EDGE: 13/16"

WING FITTINGS



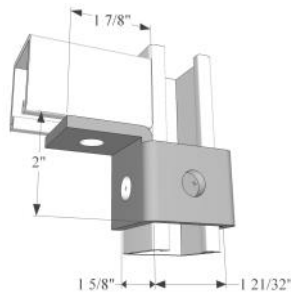
Tel: 1-800-399-3244

Tel: 1-330-399-3344

Fax: 1-330-399-3482

WF-2117-L

Four Hole Wrap Around
Left Hand Single
Connector Wing Fitting
1-11/16" x 2-1/16" x 3-13/16"

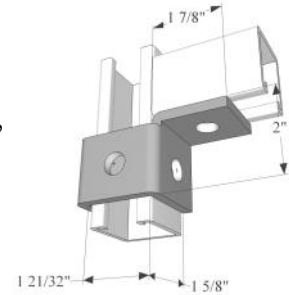


10 Pcs/Box
70 lbs./100 Pcs

Stocked in	PLTD	SS304	SS316	ALUM	HDG	YLW	GRN	PLN
	X							
Other Finishes Available by Special Order								

WF-2117-R

Four Hole Wrap Around
Right Hand Single
Connector Wing Fitting
1-11/16" x 2-1/16" x 3-13/16"

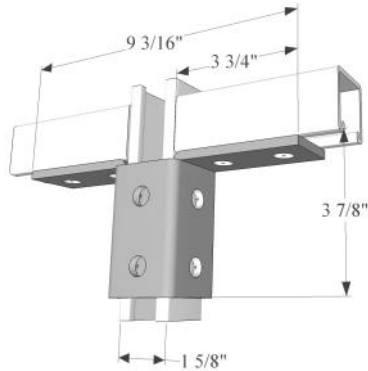


10 Pcs/Box
70 lbs./100 Pcs

Stocked in	PLTD	SS304	SS316	ALUM	HDG	YLW	GRN	PLN
	X							
Other Finishes Available by Special Order								

WF-913

Ten Hole
Double Corner
Wing Fitting
3-3/4" Double Wing

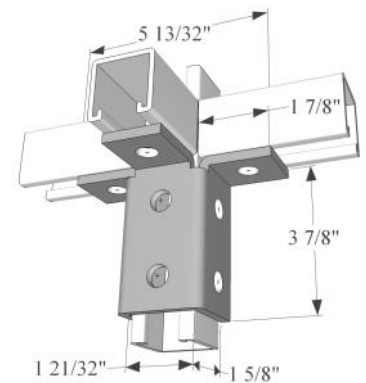


10 Pcs/Box
202 lbs./100 Pcs

Stocked in	PLTD	SS304	SS316	ALUM	HDG	YLW	GRN	PLN
	X		X					X
Other Finishes Available by Special Order								

WF-670

Nine Hole
Triple Corner
Wing Fitting
1-7/8" Triple Wing

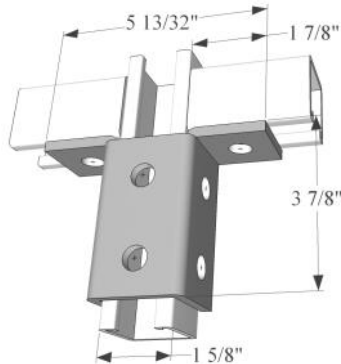


10 Pcs/Box
160 lbs./100 Pcs

Stocked in	PLTD	SS304	SS316	ALUM	HDG	YLW	GRN	PLN
	X	X						
Other Finishes Available by Special Order								

WF-821

Eight Hole
Double Corner
Wing Fitting
1-7/8" Double Wing

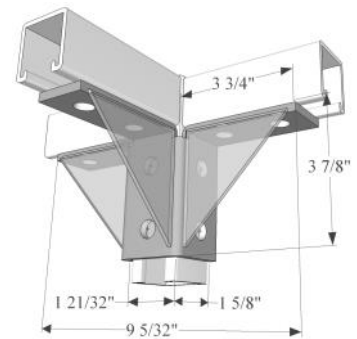


10 Pcs/Box
177 lbs./100 Pcs

Stocked in	PLTD	SS304	SS316	ALUM	HDG	YLW	GRN	PLN
	X	X	X					
Other Finishes Available by Special Order								

WF-277

Twelve Hole Triple
Wing Gusseted
Connection Wing
Fitting
1/8" Welded Gussets



5 Pcs/Box
275 lbs./100 Pcs

Stocked in	PLTD	SS304	SS316	ALUM	HDG	YLW	GRN	PLN
	X							
Other Finishes Available by Special Order								

MATERIAL WIDTH: 1-5/8" THICKNESS: 1/4" HOLE DIAMETER: 9/16" HOLE SPACING: 1-7/8" HOLE CENTER FROM EDGE: 13/16"

Tel: 1-800-399-3244

Tel: 1-330-399-3344

Fax: 1-330-399-3482



NOTES

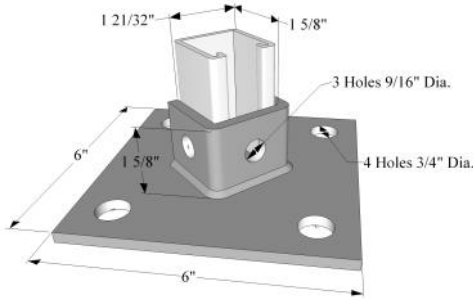
Lined area for notes with horizontal ruling lines.

MATERIAL WIDTH: 1-5/8" THICKNESS: 1/4" HOLE DIAMETER: 9/16" HOLE SPACING: 1-7/8" HOLE CENTER FROM EDGE: 13/16"

Not finding the part you're looking for, if we don't stock it we may be able get it for you. Give us a call or send us a picture by email or fax.



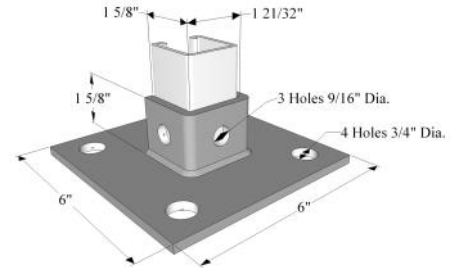
PB-3013
 Post Base for
 1-5/8" Strut



10 Pcs/Box
 305 lbs./100 Pcs

Stocked in	PLTD	SS304	SS316	ALUM	HDG	YLW	GRN	PLN
	X	X	X					
Other Finishes Available by Special Order								

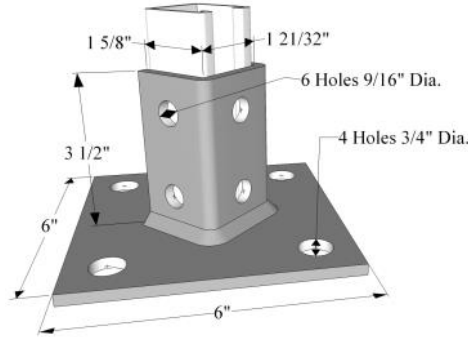
PB-3013-SQ
 Squared
 Post Base
 for 1-5/8" Strut



10 Pcs/Box
 305 lbs./100 Pcs

Stocked in	PLTD	SS304	SS316	ALUM	HDG	YLW	GRN	PLN
	X	X	X					
Other Finishes Available by Special Order								

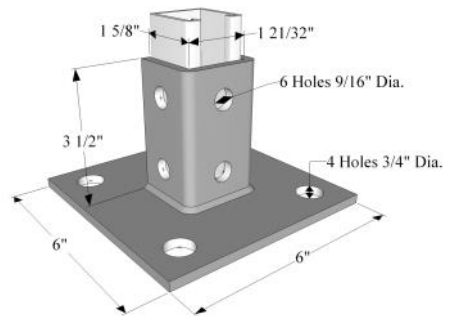
PB-3033
 Post Base for
 1-5/8" Strut



5 Pcs/Box
 376 lbs./100 Pcs

Stocked in	PLTD	SS304	SS316	ALUM	HDG	YLW	GRN	PLN
	X	X	X	X	X			
Other Finishes Available by Special Order								

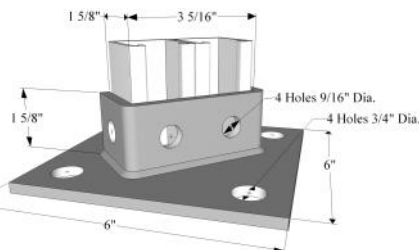
PB-3033-SQ
 Squared
 Post Base
 for 1-5/8" Strut



5 Pcs/Box
 376 lbs./100 Pcs

Stocked in	PLTD	SS304	SS316	ALUM	HDG	YLW	GRN	PLN
	X	X	X	X	X			
Other Finishes Available by Special Order								

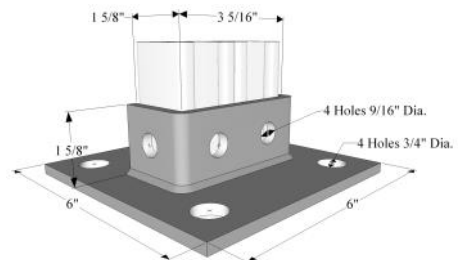
PB-3029
 Post Base for
 1-5/8" x 3-1/4"
 Strut



10 Pcs/Box
 320 lbs./100 Pcs

Stocked in	PLTD	SS304	SS316	ALUM	HDG	YLW	GRN	PLN
	X							
Other Finishes Available by Special Order								

PB-3029-SQ
 Squared
 Post Base for
 1-5/8" x 3-1/4"
 Strut



10 Pcs/Box
 320 lbs./100 Pcs

Stocked in	PLTD	SS304	SS316	ALUM	HDG	YLW	GRN	PLN
	X							
Other Finishes Available by Special Order								

MATERIAL WIDTH: 1-5/8" THICKNESS: 1/4" HOLE DIAMETER: 9/16" HOLE SPACING: 1-7/8" HOLE CENTER FROM EDGE: 13/16"

POST BASE

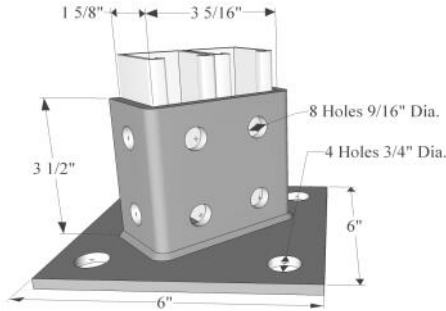


Tel: 1-800-399-3244

Tel: 1-330-399-3344

Fax: 1-330-399-3482

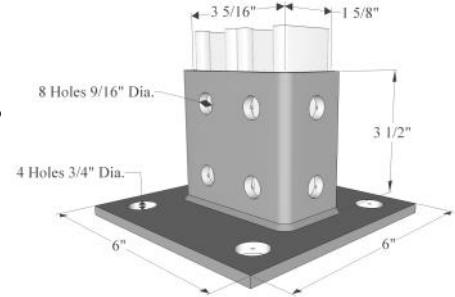
PB-3064
Post Base for
1-5/8" x 3-1/4"
Strut



5 Pcs/Box
375 lbs./100 Pcs

Stocked in	PLTD	SS304	SS316	ALUM	HDG	YLW	GRN	PLN
	X	X	X					
Other Finishes Available by Special Order								

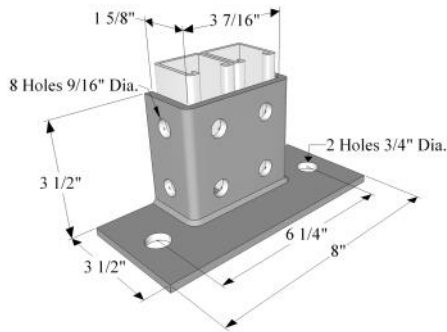
PB-3064-SQ
Squared Post
Base for
1-5/8" x 3-1/4"
Strut



5 Pcs/Box
375 lbs./100 Pcs

Stocked in	PLTD	SS304	SS316	ALUM	HDG	YLW	GRN	PLN
	X	X	X		X			
Other Finishes Available by Special Order								

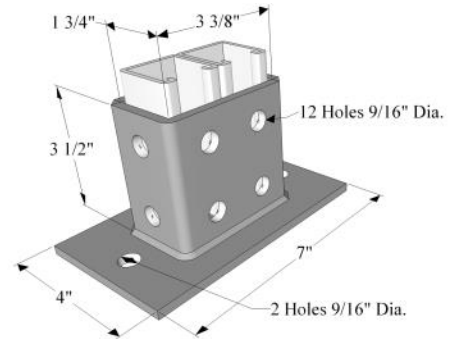
PB-3064-FL
Flush Mount
Post Base for
1-5/8" x 3-1/4"
Strut



5 Pcs/Box
320 lbs./100 Pcs

Stocked in	PLTD	SS304	SS316	ALUM	HDG	YLW	GRN	PLN
	X		X					
Other Finishes Available by Special Order								

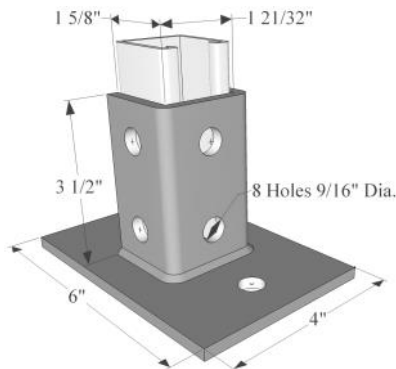
PB-2064
Post Base for
1-5/8" x 3-1/4"
Strut



5 Pcs/Box
311 lbs./100 Pcs

Stocked in	PLTD	SS304	SS316	ALUM	HDG	YLW	GRN	PLN
	X							
Other Finishes Available by Special Order								

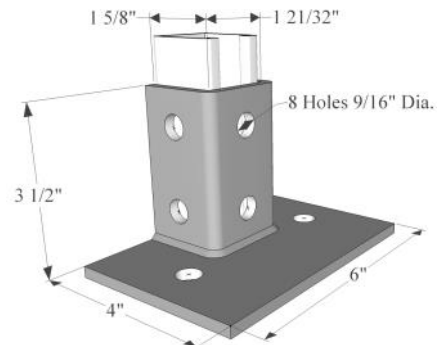
PB-3025
Post Base for
1-5/8" Strut



10 Pcs/Box
292 lbs./100 Pcs

Stocked in	PLTD	SS304	SS316	ALUM	HDG	YLW	GRN	PLN
	X	X	X	X	X			
Other Finishes Available by Special Order								

PB-3025-FL
Flush Mount
Post Base for
1-5/8" Strut

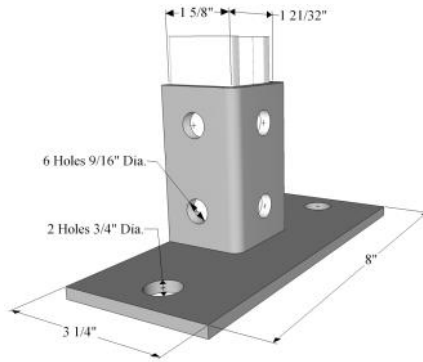


10 Pcs/Box
292 lbs./100 Pcs

Stocked in	PLTD	SS304	SS316	ALUM	HDG	YLW	GRN	PLN
	X	X						
Other Finishes Available by Special Order								

MATERIAL WIDTH: 1-5/8" THICKNESS: 1/4" HOLE DIAMETER: 9/16" HOLE SPACING: 1-7/8" HOLE CENTER FROM EDGE: 13/16"

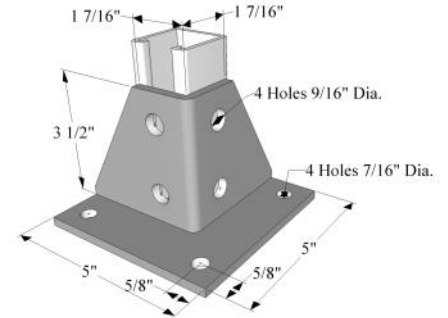
PB-280-FL
 Flush Mount
 Post Base for
 1-5/8" Strut



10 Pcs/Box
 312 lbs./100 Pcs

Stocked in	PLTD	SS304	SS316	ALUM	HDG	YLW	GRN	PLN
	X	X	X					
Other Finishes Available by Special Order								

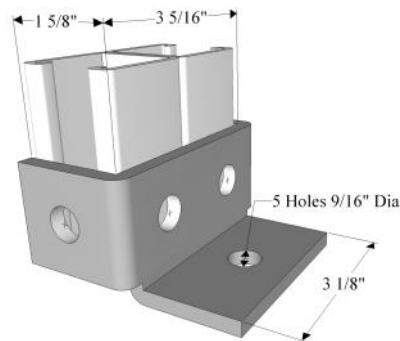
PB-3040
 Post Base for
 1-5/8" x 1-5/8"
 Strut



5 Pcs/Box
 290 lbs./100 Pcs

Stocked in	PLTD	SS304	SS316	ALUM	HDG	YLW	GRN	PLN
	X							
Other Finishes Available by Special Order								

PB-3041
 Double Column
 Post Base



10 Pcs/Box
 290 lbs./100 Pcs

Stocked in	PLTD	SS304	SS316	ALUM	HDG	YLW	GRN	PLN
	X							
Other Finishes Available by Special Order								



Tel: 1-800-399-3244

Tel: 1-330-399-3344

Fax: 1-330-399-3482

NOTES

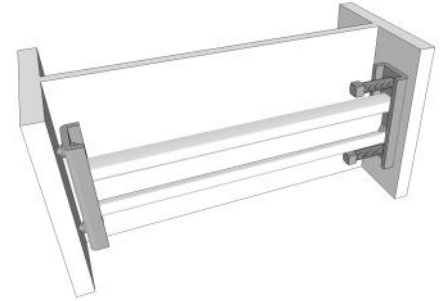
CC-2654
 Column Clamp for
 1-5/8" x 1-5/8"
 12 Gauge Strut



25 Pcs/Box
 53 lbs./100 Pcs

	PLTD	SS304	SS316	ALUM	HDG	YLW	GRN	PLN
Stocked in	X							
Other Finishes Available by Special Order								

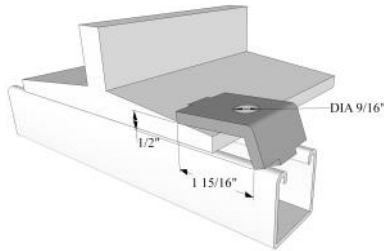
CC-2654A
 Column Clamp for
 1-5/8" x 13/16"
 12 Gauge Strut



25 Pcs/Box
 71 lbs./100 Pcs

	PLTD	SS304	SS316	ALUM	HDG	YLW	GRN	PLN
Stocked in	X							
Other Finishes Available by Special Order								

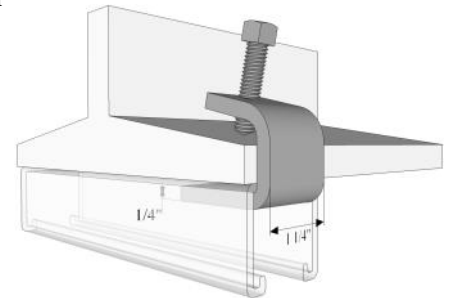
BC-686
 Beam Clamp
 Requires 1/2"-13 x 1-3/4"
 HHCS and 1/2" Channel Nut
 Sold Separately



50 Pcs/Box
 30 lbs./Box

	PLTD	SS304	SS316	ALUM	HDG	YLW	GRN	PLN
Stocked in	X	X	X					
Other Finishes Available by Special Order								

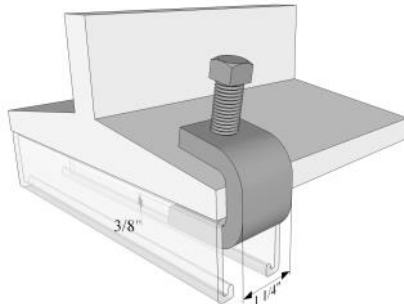
BC-907-S
 Light Duty "I" Beam
 Clamp 1/4" Thick
 Includes:
 3/8"-16 x 1-1/2"
 SHSS Cone Point



50 Pcs/Box
 26 lbs./100 Pcs

	PLTD	SS304	SS316	ALUM	HDG	YLW	GRN	PLN
Stocked in	X							
Other Finishes Available by Special Order								

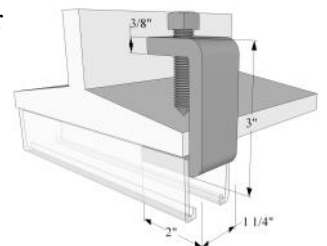
BC-998-S
 Heavy Duty "I" Beam
 Clamp 3/8" Thick
 Includes:
 1/2"-13 x 1-1/2"
 SHSS Cone Point



25 Pcs/Box
 72 lbs./100 Pcs

	PLTD	SS304	SS316	ALUM	HDG	YLW	GRN	PLN
Stocked in	X							
Other Finishes Available by Special Order								

BC-916-S
 Heavy Duty Internal Strut Mount
 "I" Beam Clamp 3/8" Thick for
 Flanges 7/8" to 2" Thick
 Includes:
 1/2"-13 x 2" SHSS
 Cone Point



25 Pcs/Box
 83 lbs./100 Pcs

	PLTD	SS304	SS316	ALUM	HDG	YLW	GRN	PLN
Stocked in	X							
Other Finishes Available by Special Order								

BEAM CLAMPS



Tel: 1-800-399-3244

Tel: 1-330-399-3344

Fax: 1-330-399-3482

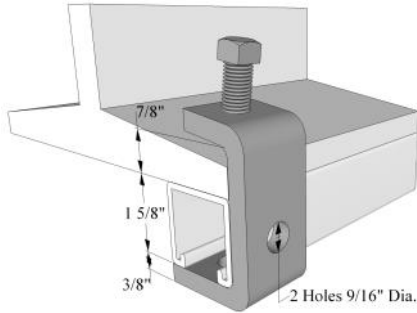
BC-684-S

Heavy Duty "I" Beam
Clamp 3/8" Thick

Includes:

1/2"-13 x 1-1/2"

SHSS Cone Point



25 Pcs/Box

90 lbs./100 Pcs

	PLTD	SS304	SS316	ALUM	HDG	YLW	GRN	PLN
Stocked in	X							
Other Finishes Available by Special Order								

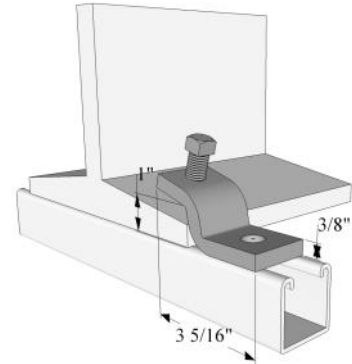
BC-685-1S

Heavy Duty "I" Beam
Clamp 3/8" Thick

Includes:

1/2"-13 x 1-1/2"

SHSS Cone Point



25 Pcs/Box

67 lbs./100 Pcs

	PLTD	SS304	SS316	ALUM	HDG	YLW	GRN	PLN
Stocked in	X							
Other Finishes Available by Special Order								

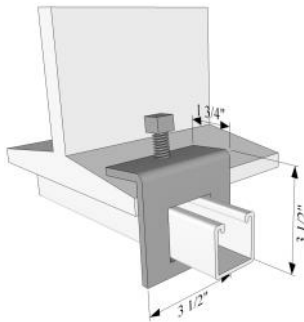
BC-855-1S

Angular Window "I" Beam
Clamp for 1-5/8" x 1-5/8" Strut

Includes:

1/2"-13 x 1-1/2"

SHSS Cone Point



25 Pcs/Box

109 lbs./100 Pcs

	PLTD	SS304	SS316	ALUM	HDG	YLW	GRN	PLN
Stocked in	X	X						
Other Finishes Available by Special Order								

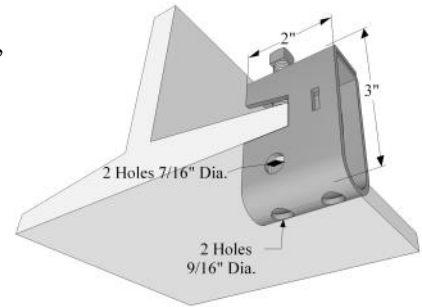
BC-2622

"I" Beam Clamp
Maximum Flange 3/4"

Includes:

3/8" x 1-1/2" SHSS

Cone Point



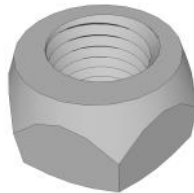
25 Pcs/Box

109 lbs./100 Pcs

	PLTD	SS304	SS316	ALUM	HDG	YLW	GRN	PLN
Stocked in	X							
Other Finishes Available by Special Order								

SW-3201-Series

15° Swivel Nut for
BC-2622 Beam Clamp



PART NUMBER	BOX QTY	WEIGHT/100 PCS
SW-3201-1/4	100	5 lbs.
SW-3201-3/8	100	4 lbs.
SW-3201-1/2	100	4 lbs.

	PLTD	SS304	SS316	ALUM	HDG	YLW	GRN	PLN
Stocked in	X							
Other Finishes Available by Special Order								

BH-2624

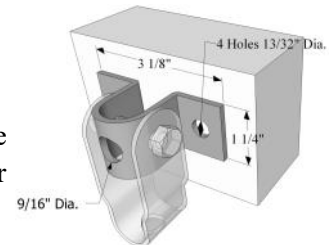
Wood Beam Hanger

Two 13/32" Mounting Holes

One 9/16" Bottom Hole for

Swivel Nut

Two 13/32" Side Holes for use
with SA-2623 Swivel Adapter



25 Pcs/Box

22 lbs./100 Pcs

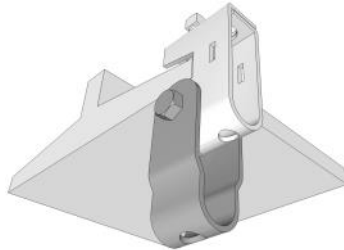
	PLTD	SS304	SS316	ALUM	HDG	YLW	GRN	PLN
Stocked in	X							
Other Finishes Available by Special Order								

SA-2623

Swivel Adapter
 For BC-2622 Beam Clamp
 and BH-2624 Wood Beam Hanger

Includes:
 3/8"-16 x 1-3/4" HHCS
 3/8"-16 Hex Locknut

50 Pcs/Box
 31 lbs./100 Pcs



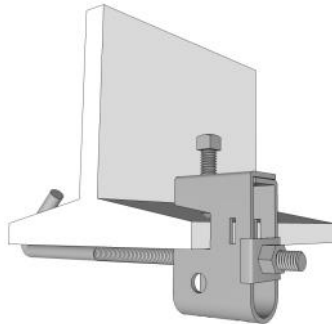
	PLTD	SS304	SS316	ALUM	HDG	YLW	GRN	PLN
Stocked in	X							
Other Finishes Available by Special Order								

Don't need the whole beam clamp? We sell the plates, U-Bolts and J-Bolts separately. See the end of this section for details.

BC-2622-J-Series

Beam Clamp with Check
 Mark Style J-Bolt Assembly

Includes:
 Beam Clamp
 Clip
 J-Bolt
 3/8"-16 HN



PART NUMBER	FOR FLANGE WIDTH	J-BOLT LENGTH	BOX QTY	WEIGHT/100 PCS
BC-2622-J-7	3" - 4-1/2"	7"	25	72 lbs.
BC-2622-J-9	4-1/2" - 6-1/2"	9"	25	78 lbs.
BC-2622-J-13	6-1/2" - 10-1/2"	13"	25	91 lbs.

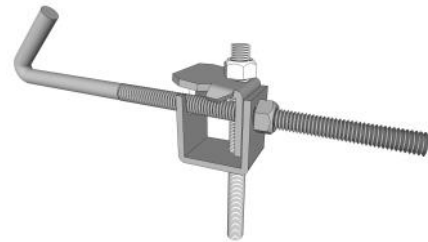
	PLTD	SS304	SS316	ALUM	HDG	YLW	GRN	PLN
Stocked in	X							
Other Finishes Available by Special Order								

BC-2626-Series

Two Piece 7 Gauge Beam Clamp
 for 1/2"-13 Threaded Rod

Includes:
 1/2"-13 Check Mark Style J-Bolt
 1/2"-13 Hex Nut

Sold Separately:
 1/2"-13 Threaded Rod and
 1/2"-13 Hex Nut



PART NUMBER	J-BOLT LENGTH	FLANGE WIDTH	BOX QTY	WEIGHT/100 PCS
BC-2626-J-4	1/2"-13 x 8-1/2"	3" - 6"	25	140 lbs.
BC-2626-J-6	1/2"-13 x 11-1/2"	5" - 9"	25	140 lbs.
BC-2626-J-9	1/2"-13 x 14-1/2"	8" - 12"	25	158 lbs.
BC-2626-J-12	1/2"-13 x 17-1/2"	11" - 15"	25	168 lbs.

	PLTD	SS304	SS316	ALUM	HDG	YLW	GRN	PLN
Stocked in	X							
Other Finishes Available by Special Order								

BEAM CLAMPS



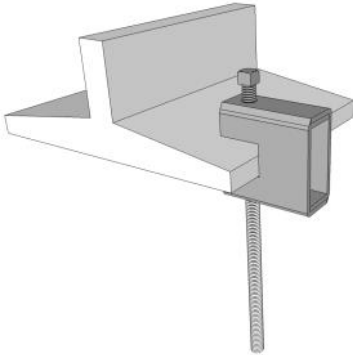
Tel: 1-800-399-3244

Tel: 1-330-399-3344

Fax: 1-330-399-3482

BC-858-Regular Duty Series

7/8" Throat Opening for
Beam Flanges to 3/4"

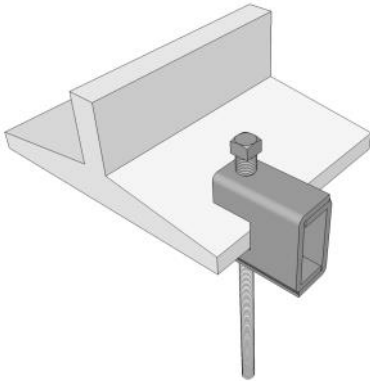


PART NUMBER	ROD SIZE	WALL	SH SET SCREW CP	DESIGN LOAD (lbs.)	BOX QTY	WEIGHT/ 100 PCS
BC-858-1/4 RD	1/4"	1/8"	3/8"-16 x 1-1/2"	400	10	71 lbs.
BC-858-5/16 RD	5/16"	1/8"	3/8"-16 x 1-1/2"	600	10	72 lbs.
BC-858-3/8 RD	3/8"	1/8"	3/8"-16 x 1-1/2"	600	10	72 lbs.
BC-858-1/2 RD	1/2"	3/16"	1/2"-13 x 1-1/2"	1100	10	100 lbs.
BC-858-5/8 RD	5/8"	1/4"	1/2"-13 x 1-1/2"	1500	10	133 lbs.

Stocked in	PLTD	SS304	SS316	ALUM	HDG	YLW	GRN	PLN
	X							
Other Finishes Available by Special Order								

BC-858-Heavy Duty Series

7/8" Throat Opening for
Beam Flanges to 3/4"

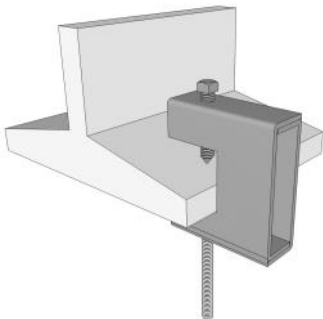


PART NUMBER	ROD SIZE	WALL	SH SET SCREW CP	DESIGN LOAD (lbs.)	BOX QTY	WEIGHT/ 100 PCS
BC-858-3/8 HD	3/8"	3/16"	1/2"-13 x 1-1/2"	1100	10	131 lbs.
BC-858-1/2 HD	1/2"	1/4"	1/2"-13 x 1-1/2"	1500	10	131 lbs.
BC-858-5/8 HD	5/8"	5/16"	5/8"-11 x 1-1/2"	2400	10	161 lbs.
BC-858-3/4 HD	3/4"	5/16"	5/8"-11 x 1-1/2"	2400	10	157 lbs.

Stocked in	PLTD	SS304	SS316	ALUM	HDG	YLW	GRN	PLN
	X							
Other Finishes Available by Special Order								

BC-865-Regular Duty Series

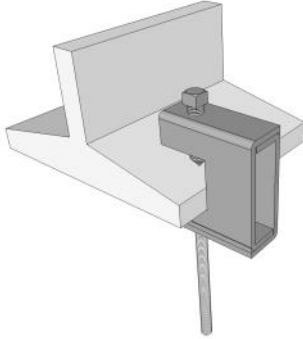
1-21/32" Throat Opening
For Beam Flanges to
1-9/16"



PART NUMBER	ROD SIZE	WALL	SH SET SCREW CP	DESIGN LOAD (lbs.)	BOX QTY	WEIGHT/ 100 PCS
BC-865-1/4 RD	1/4"	1/8"	3/8"-16 x 2-1/2"	800	10	100 lbs.
BC-865-3/8 RD	3/8"	1/8"	3/8"-16 x 2-1/2"	800	10	113 lbs.
BC-865-1/2 RD	1/2"	3/16"	1/2"-13 x 2-1/2"	1300	10	151 lbs.

Stocked in	PLTD	SS304	SS316	ALUM	HDG	YLW	GRN	PLN
	X							
Other Finishes Available by Special Order								

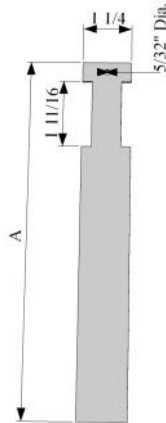
BC-865-Heavy Duty Series
 1-21/32" Throat Opening
 For Beam Flanges to 1-9/16"



PART NUMBER	ROD SIZE	WALL	SH SET SCREW CP	DESIGN LOAD (Lbs.)	BOX QTY	WEIGHT/ 100 PCS
BC-865-3/8 HD	3/8"	3/16"	1/2"-16 x 2-1/2"	1100	10	151 lbs.
BC-865-1/2 HD	1/2"	1/4"	1/2"-13 x 2-1/2"	1600	10	205 lbs.
BC-865-5/8 HD	5/8"	5/16"	5/8"-11 x 2-1/2"	2400	10	246 lbs.

Stocked in	PLTD	SS304	SS316	ALUM	HDG	YLW	GRN	PLN
X								
Other Finishes Available by Special Order								

BC-871-Series
 Safety Anchor Strap for
 BC-858 and BC-865
 Series Beam Clamps

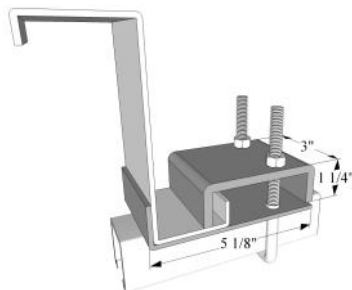


PART NUMBER	'A'	BOX QTY	WEIGHT/ 100 PCS
BC-871-9	9"	50	22 lbs.
BC-871-12	12"	50	31 lbs.
BC-871-15	15"	50	41 lbs.
BC-871-18	18"	50	44 lbs.

Stocked in	PLTD	SS304	SS316	ALUM	HDG	YLW	GRN	PLN
X								
Other Finishes Available by Special Order								

PC-2653-Series
 Two Piece
 Purlin Clamp

PART NUMBER	STRUT SIZE	MAXIMUM PURLIN LIP	BOTTOM PLATE	"U" SHOE	U-Bolt Size	BOX QTY	WEIGHT/ 100 PCS
PC-2653-T1	1-5/8"	1"	3" x 5-1/8" x 11 Gauge	3" x 3-5/8" x 1/4"	5"	10	210 lbs.
PC-2653-T2	3-1/4"	1"	3" x 5-1/8" x 11 Gauge	3" x 3-5/8" x 1/4"	6-3/4"	10	217 lbs.



Assembly Includes:
 Purlin Clamp
 U-Bolt
 Two 3/8"-16 HN

Stocked in	PLTD	SS304	SS316	ALUM	HDG	YLW	GRN	PLN
X								
Other Finishes Available by Special Order								

BEAM CLAMPS



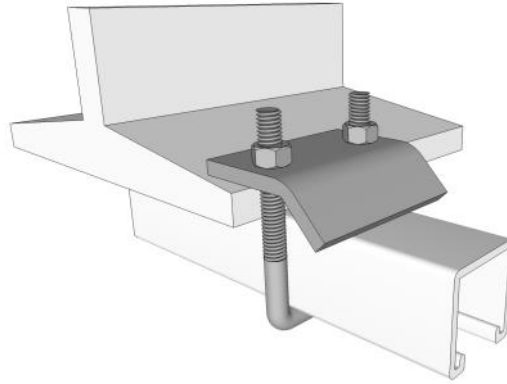
Tel: 1-800-399-3244

Tel: 1-330-399-3344

Fax: 1-330-399-3482

BC-2651-T1

U-Bolt Beam Clamp
For 13/16" to 1-5/8"
Deep Strut



Includes:

- One Plate
- One 3-3/8" U-Bolt
- Two 3/8"-16 HN

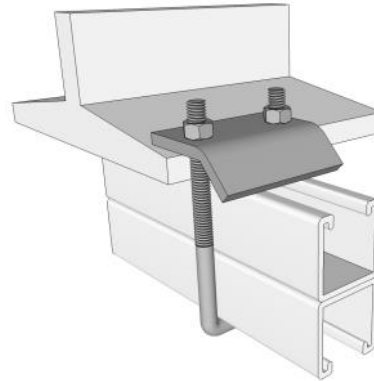
Design Load:

1,000 lbs. when used in pairs

PART NUMBER	DIMENSIONS	BOX QTY	WEIGHT/ 100 PCS	PLTD	SS304	SS316	ALUM	HDG	YLW	GRN	PLN
BC-2651-T1-45	1-5/8" x 1-5/8"	25	82 lbs.	X	X	X		X			
BC-2651-T1-75	1-5/8" x 1-5/8"	25	82 lbs.	X	X	X		X			

BC-2651-T2

U-Bolt Beam Clamp
For 1-5/8" to 3-1/4"
Deep Strut



Includes:

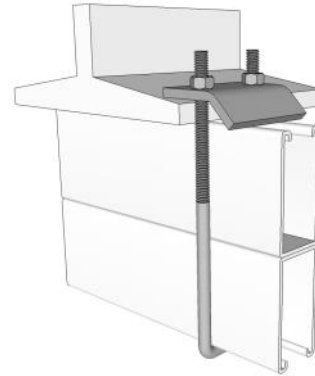
- One Plate
- One 5" U-Bolt
- Two 3/8"-16 HN

Design Load:

1,000 lbs. when used in pairs

PART NUMBER	DIMENSIONS	BOX QTY	WEIGHT/ 100 PCS	PLTD	SS304	SS316	ALUM	HDG	YLW	GRN	PLN
BC-2651-T2-45	1-5/8" x 3-1/4"	25	92 lbs.	X	X	X		X			
BC-2651-T2-75	1-5/8" x 3-1/4"	25	92 lbs.	X	X	X		X			

BC-2651-T3
 U-Bolt Beam Clamp
 For 4-7/8" to 6-1/2"
 Deep Strut

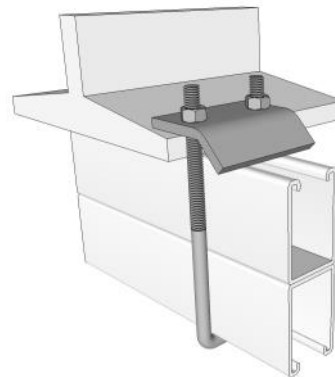


- Includes:
 One Plate
 One 8-1/2" U-Bolt
 Two 3/8"-16 HN

Design Load: 1,000 lbs.
 when used in pairs

PART NUMBER	DIMENSIONS	BOX QTY	WEIGHT/ 100 PCS	PLTD	SS304	SS316	ALUM	HDG	YLW	GRN	PLN
BC-2651-T3-45	1-5/8" x 6-1/2"	25	104 lbs.	X	X						
BC-2651-T3-75	1-5/8" x 6-1/2"	25	104 lbs.	X	X						

BC-2651-T4
 U-Bolt Beam Clamp
 For 3-1/4" to 4-7/8"
 Deep Strut



- Includes:
 One Plate
 One 6-3/4" U-Bolt
 Two 3/8"-16 HN

Design Load: 1,000 lbs.
 when used in pairs

PART NUMBER	DIMENSIONS	BOX QTY	WEIGHT/ 100 PCS	PLTD	SS304	SS316	ALUM	HDG	YLW	GRN	PLN
BC-2651-T4-45	1-5/8" x 4-7/8"	25	98 lbs.	X	X						
BC-2651-T4-75	1-5/8" x 4-7/8"	25	98 lbs.	X	X						

BEAM CLAMPS



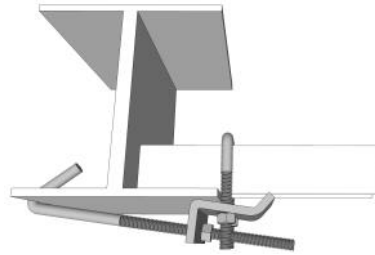
Tel: 1-800-399-3244

Tel: 1-330-399-3344

Fax: 1-330-399-3482

BC-2656-T1-Series

U-Bolt Beam Clamp with
Check Mark Style J-Bolt
For 13/16" to 1-5/8"
Deep Strut



Includes:

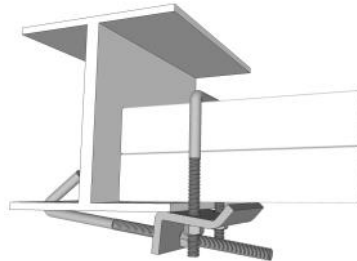
- One Plate
- One 3-3/8" U-Bolt
- One J-Bolt
- Three 3/8"-16 HN

PART NUMBER	FOR FLANGE WIDTH	J-BOLT	BOX QTY	WEIGHT/ 100 PCS
BC-2656-T1-7	3" - 6"	7"	10	115.6 lbs.
BC-2656-T1-9	6" - 8"	9"	10	120.6 lbs.
BC-2656-T1-13	8" - 12"	13"	10	130 lbs.

	PLTD	SS304	SS316	ALUM	HDG	YLW	GRN	PLN
Stocked in	X							
Other Finishes Available by Special Order								

BC-2656-T2-Series

U-Bolt Beam Clamp with
Check Mark Style J-Bolt
For 1-5/8" to 3-1/4"
Deep Strut



Includes:

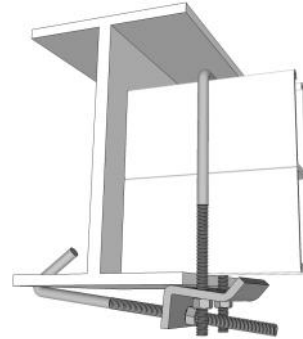
- One Plate
- One 5" U-Bolt
- One J-Bolt
- Three 3/8"-16 HN

PART NUMBER	FOR FLANGE WIDTH	J-BOLT	BOX QTY	WEIGHT/ 100 PCS
BC-2656-T2-7	3" - 6"	7"	10	128 lbs.
BC-2656-T2-9	6" - 8"	9"	10	131 lbs.
BC-2656-T2-13	8" - 12"	13"	10	140 lbs.

	PLTD	SS304	SS316	ALUM	HDG	YLW	GRN	PLN
Stocked in	X							
Other Finishes Available by Special Order								

BC-2656-T3-Series

U-Bolt Beam Clamp with
 Check Mark Style J-Bolt
 For 4-7/8" to 6-1/2"
 Deep Strut



Includes:

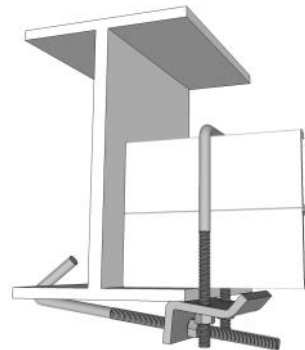
- One Plate
- One 8-1/2" U-Bolt
- One J-Bolt
- Three 3/8"-16 HN

PART NUMBER	FOR FLANGE WIDTH	J-BOLT	BOX QTY	WEIGHT/ 100 PCS
BC-2656-T3-7	3" - 6"	7"	10	144 lbs.
BC-2656-T3-9	6" - 8"	9"	10	148 lbs.
BC-2656-T3-13	8" - 12"	13"	10	160 lbs.

	PLTD	SS304	SS316	ALUM	HDG	YLW	GRN	PLN
Stocked in	X							
Other Finishes Available by Special Order								

BC-2656-T4-Series

U-Bolt Beam Clamp with
 Check Mark Style J-Bolt
 For 3-1/4" to 4-7/8"
 Deep Strut



Includes:

- One Plate
- One 6-3/4" U-Bolt
- One J-Bolt
- Three 3/8"-16 HN

PART NUMBER	FOR FLANGE WIDTH	J-BOLT	BOX QTY	WEIGHT/ 100 PCS
BC-2656-T4-7	3" - 6"	7"	10	135 lbs.
BC-2656-T4-9	6" - 8"	9"	10	140 lbs.
BC-2656-T4-13	8" - 12"	13"	10	148 lbs.

	PLTD	SS304	SS316	ALUM	HDG	YLW	GRN	PLN
Stocked in	X							
Other Finishes Available by Special Order								

BEAM CLAMPS

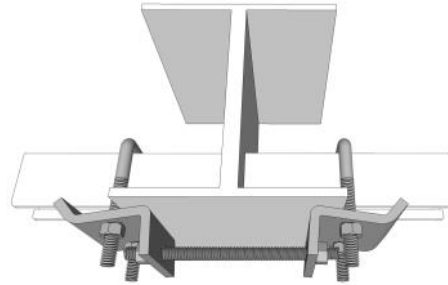


Tel: 1-800-399-3244

Tel: 1-330-399-3344

Fax: 1-330-399-3482

BC-2657-T1-Series
U-Bolt Beam Clamp ATR
For 13/16" to 1-5/8"
Deep Strut



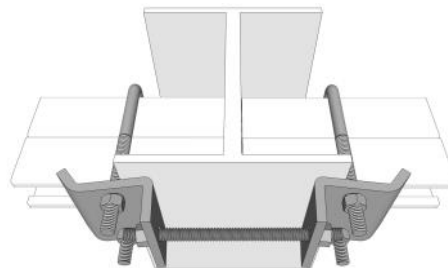
Includes:

- Two Plates
- Two 3-3/8" U-Bolts
- One ATR
- Six 3/8"-16 HN

PART NUMBER	FOR FLANGE WIDTH	ATR	BOX QTY	WEIGHT/ 100 PCS
BC-2657-T1-6	4" - 6"	6"	10	205 lbs.
BC-2657-T1-12	6" -12"	12"	10	220 lbs.

	PLTD	SS304	SS316	ALUM	HDG	YLW	GRN	PLN
Stocked in	X							
Other Finishes Available by Special Order								

BC-2657-T2-Series
U-Bolt Beam Clamp ATR
For 1-5/8" to 3-1/4"
Deep Strut



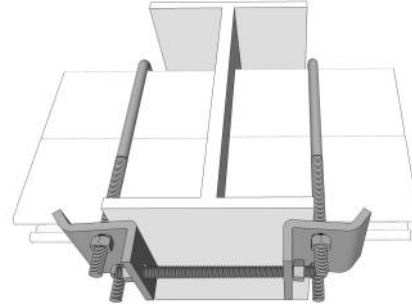
Includes:

- Two Plates
- Two 5" U-Bolts
- One ATR
- Six 3/8"-16 HN

PART NUMBER	FOR FLANGE WIDTH	ATR	BOX QTY	WEIGHT/ 100 PCS
BC-2657-T2-6	4" - 6"	6"	10	280 lbs.
BC-2657-T2-12	6" -12"	12"	10	280 lbs.

	PLTD	SS304	SS316	ALUM	HDG	YLW	GRN	PLN
Stocked in	X							
Other Finishes Available by Special Order								

BC-2657-T3-Series
 U-Bolt Beam Clamp ATR
 For 4-7/8" to 6-1/2"
 Deep Strut



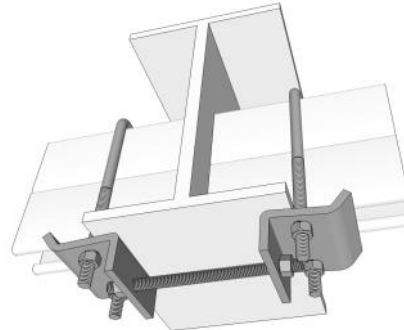
Includes:

- Two Plates
- Two 8-1/2" U-Bolts
- One ATR
- Six 3/8"-16 HN

PART NUMBER	FOR FLANGE WIDTH	ATR	BOX QTY	WEIGHT/ 100 PCS
BC-2657-T3-6	4" - 6"	6"	10	256 lbs.
BC-2657-T3-12	6" - 12"	12"	10	260 lbs.

	PLTD	SS304	SS316	ALUM	HDG	YLW	GRN	PLN
Stocked in	X							
Other Finishes Available by Special Order								

BC-2657-T4-Series
 U-Bolt Beam Clamp ATR
 For 3-1/4" to 4-7/8"
 Deep Strut



Includes:

- Two Plates
- Two 6-3/4" U-Bolts
- One ATR
- Six 3/8"-16 HN

PART NUMBER	FOR FLANGE WIDTH	ATR	BOX QTY	WEIGHT/ 100 PCS
BC-2657-T4-6	4" - 6"	6"	10	240 lbs.
BC-2657-T4-12	6" - 12"	12"	10	220 lbs.

	PLTD	SS304	SS316	ALUM	HDG	YLW	GRN	PLN
Stocked in	X							
Other Finishes Available by Special Order								

MATERIAL WIDTH: 1-5/8" THICKNESS: 1/4" HOLE DIAMETER: 9/16" HOLE SPACING: 1-7/8" HOLE CENTER FROM EDGE: 13/16"

BEAM CLAMPS

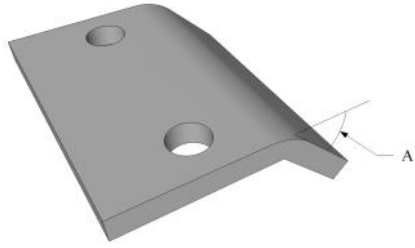


Tel: 1-800-399-3244

Tel: 1-330-399-3344

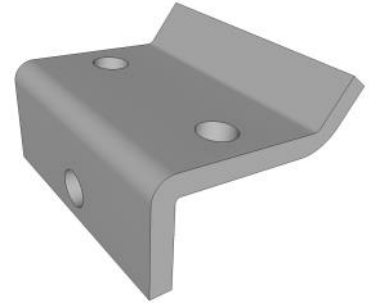
Fax: 1-330-399-3482

BC-2651 (PLATE ONLY)



PART NUMBER	Degree of Plate (A)	WEIGHT/100 PCS	PLTD	SS304	SS316	ALUM	HDG	YLW	GRN	PLN
BC-2651-Plate Only	45°	54 lbs.	X	X	X		X			
BC-2651-75 Plate Only	75°	54 lbs.	X	X	X		X			

BC-2656 (PLATE ONLY)

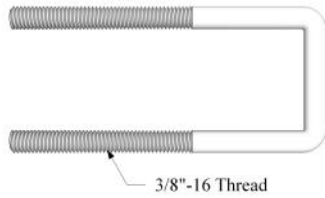


68 lbs./100 Pcs

Stocked in	PLTD	SS304	SS316	ALUM	HDG	YLW	GRN	PLN
	X							

Other Finishes Available by Special Order

U-BOLTS



PART NUMBER	U-BOLT LENGTH	THREAD LENGTH	WEIGHT/100 PCS	PLTD	SS304	SS316	ALUM	HDG	YLW	GRN	PLN
3-3/8 U-Bolt	3-3/8"	2-1/2"	21 lbs.	X	X	X		X			
5 U-Bolt	5"	3"	29 lbs.	X	X	X		X			
6-3/4 U-Bolt	6-3/4"	3-1/2"	38 lbs.	X	X						
8-1/2 U-Bolt	8-1/2"	4"	46 lbs.	X	X						

J-BOLTS



PART NUMBER	THREAD	J-BOLT LENGTH	THREAD LENGTH	WEIGHT/100 PCS
3/8 x 7 J-Bolt	3/8"-16	7"	3-3/4"	21 lbs.
3/8 x 9 J-Bolt	3/8"-16	9"	5-3/4"	27 lbs.
3/8 x 13 J-Bolt	3/8"-16	13"	8"	36 lbs.
1/2 x 8-1/2 J-Bolt	1/2"-13	8-1/2"	6-3/4"	46 lbs.
1/2 x 11-1/2 J-Bolt	1/2"-13	11-1/2"	9-3/4"	60 lbs.
1/2 x 14-1/2 J-Bolt	1/2"-13	14-1/2"	12-3/4"	72 lbs.
1/2 x 17-1/2 J-Bolt	1/2"-13	17-1/2"	15-3/4"	85 lbs.

Stocked in	PLTD	SS304	SS316	ALUM	HDG	YLW	GRN	PLN
	X							

Other Finishes Available by Special Order

BC-2622 CLIP

Clip used with 3/8" J-Bolt



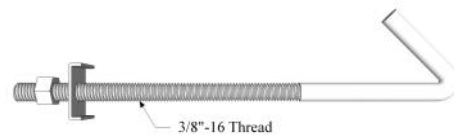
2 lbs./100 Pcs

Stocked in	PLTD	SS304	SS316	ALUM	HDG	YLW	GRN	PLN
	X							

Other Finishes Available by Special Order

J-BOLT ASSEMBLY

Includes
J-Bolt
Clip
Nut



PART NUMBER	J-BOLT LENGTH	THREAD LENGTH	WEIGHT/100 PCS
3/8 x 7 J-Bolt Assembly	7"	3-3/4"	24.5 lbs.
3/8 x 9 J-Bolt Assembly	9"	5-3/4"	30.5 lbs.
3/8 x 13 J-Bolt Assembly	13"	8"	39.5 lbs.

Stocked in	PLTD	SS304	SS316	ALUM	HDG	YLW	GRN	PLN
	X							

Other Finishes Available by Special Order

BRACES & BRACKETS

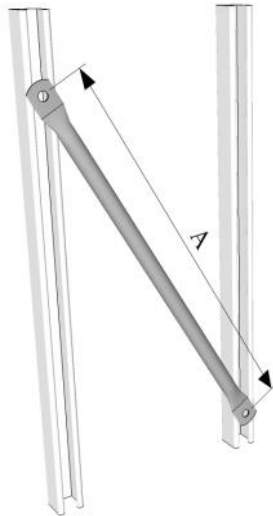


Tel: 1-800-399-3244

Tel: 1-330-399-3344

Fax: 1-330-399-3482

TB-810 Series
Two Hole 1" Round
14 Gauge Straight
Diagonal Tubing Brace



PART NUMBER	A	Box QTY	WEIGHT/ 100 PCS
TB-810-36	36"	As Required	205 lbs.
TB-810-42	42"	As Required	235 lbs.
TB-810-48	48"	As Required	270 lbs.
TB-810-54	54"	As Required	300 lbs.
TB-810-60	60"	As Required	335 lbs.
TB-810-72	72"	As Required	400 lbs.

Stocked in	PLTD	SS304	SS316	ALUM	HDG	YLW	GRN	PLN
	X							
Other Finishes Available by Special Order								

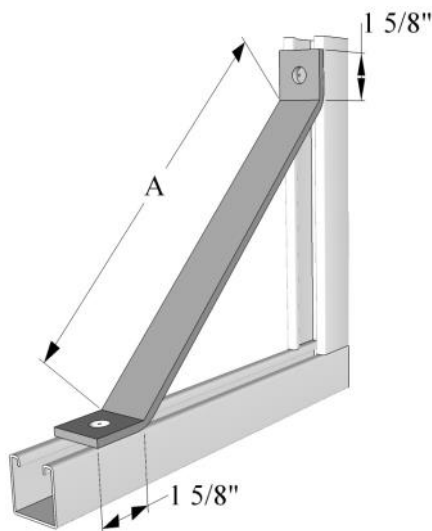
TB-812 Series
Two Hole 1" Round
14 Gauge 45° Diagonal
Tubing Brace



PART NUMBER	A	BOX QTY	WEIGHT/ 100 PCS
TB-812-12	12"	As Required	88 lbs.
TB-812-18	18"	As Required	115 lbs.
TB-812-24	24"	As Required	150 lbs.
TB-812-30	30"	As Required	180 lbs.
TB-812-36	36"	As Required	215 lbs.
TB-812-72	72"	As Required	435 lbs.

Stocked in	PLTD	SS304	SS316	ALUM	HDG	YLW	GRN	PLN
	X							
Other Finishes Available by Special Order								

SB-926 Series
45° Strut Brace

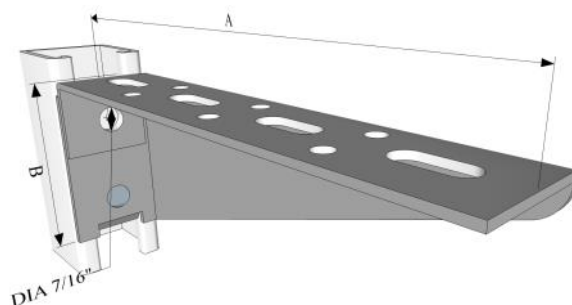
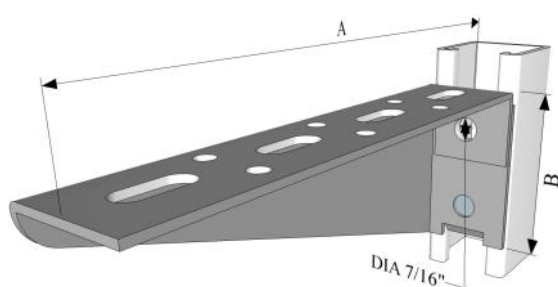


PART NUMBER	A	BOX QTY	WEIGHT/ 100 PCS
SB-926-12	12"	25	168 lbs.
SB-926-16-5/8	16-5/8"	25	230 lbs.
SB-926-18	18"	25	238 lbs.
SB-926-24	24"	25	280 lbs.
SB-926-36	36"	25	500 lbs.

Stocked in	PLTD	SS304	SS316	ALUM	HDG	YLW	GRN	PLN
	X	X						
Other Finishes Available by Special Order								

SB-838 Series

12 Ga. Shelf Bracket with 13/32" x 1" Slots 2" O.C. and 9/32" Dia. holes 2" O.C.



PART #	'A'	'B'	# OF SLOTS	# OF HOLES	BOX QTY	WEIGHT/ 100 PCS	PL/TD	SS304	SS316	ALUM	HDG	YLW	GRN	PLAIN
SB-838-6L	6	2-15/16"	3	4	25	67	X							
SB-838-6R	6	2-15/16"	3	4	25	67	X							
SB-838-8L	8	2-15/16"	4	6	25	92	X							
SB-838-8R	8	2-15/16"	4	6	25	92	X							
SB-838-10L	10	2-15/16"	5	8	25	120	X							
SB-838-10R	10	2-15/16"	5	8	25	120	X							
SB-838-12L	12	3-7/16"	6	10	25	152	X							
SB-838-12R	12	3-7/16"	6	10	25	152	X							
SB-838-14L	14	3-15/16"	7	12	25	173	X							
SB-838-14R	14	3-15/16"	7	12	25	173	X							
SB-838-16L	16	4-7/16"	8	14	25	223	X							
SB-838-16R	16	4-7/16"	8	14	25	223	X							
SB-838-18L	18	4-15/16"	9	16	25	266	X							
SB-838-18R	18	4-15/16"	9	16	25	266	X							
SB-838-20L	20	5-3/8"	10	18	10	295	X							
SB-838-20R	20	5-3/8"	10	18	10	295	X							
SB-838-22L	22	5-7/8"	11	20	10	361	X							
SB-838-22R	22	5-7/8"	11	20	10	361	X							
SB-838-24L	24	6-3/8"	12	22	10	400	X							
SB-838-24R	24	6-3/8"	12	22	10	400	X							
SB-838-26L	26	6-7/8"	13	24	10	456	X							
SB-838-26R	26	6-7/8"	13	24	10	456	X							
SB-838-28L	28	7-3/8"	14	26	10	479	X							
SB-838-28R	28	7-3/8"	14	26	10	479	X							
SB-838-30L	30	7-7/8"	15	28	10	479	X							
SB-838-30R	30	7-7/8"	15	28	10	479	X							

**Other Finishes Available
by Special Order**

BRACES & BRACKETS



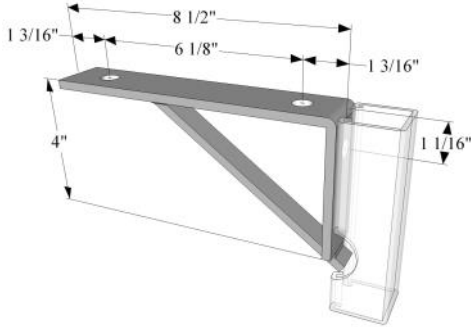
Tel: 1-800-399-3244

Tel: 1-330-399-3344

Fax: 1-330-399-3482

SB-732-8-1/2

8-1/2" Heavy Duty Shelf Bracket

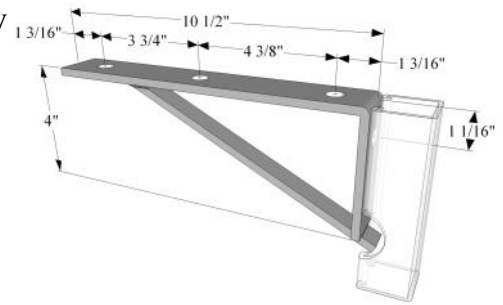


10 Pcs/Box
175 lbs./100 Pcs

	PLTD	SS304	SS316	ALUM	HDG	YLW	GRN	PLN
Stocked in	X	X						
Other Finishes Available by Special Order								

SB-732-10-1/2

10-1/2" Heavy Duty Shelf Bracket

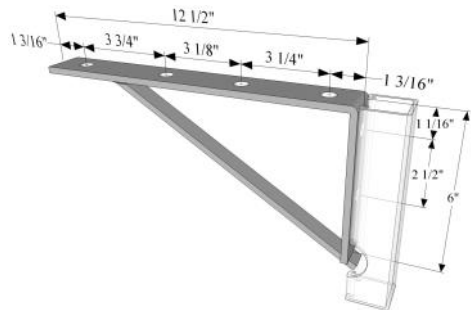


10 Pcs/Box
200 lbs./100 Pcs

	PLTD	SS304	SS316	ALUM	HDG	YLW	GRN	PLN
Stocked in	X							
Other Finishes Available by Special Order								

SB-732-12-1/2

12-1/2" Heavy Duty Shelf Bracket

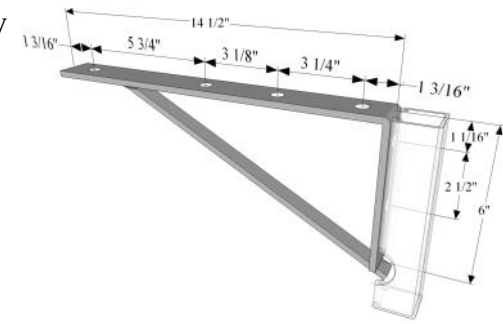


5 Pcs/Box
260 lbs./100 Pcs

	PLTD	SS304	SS316	ALUM	HDG	YLW	GRN	PLN
Stocked in	X	X						
Other Finishes Available by Special Order								

SB-732-14-1/2

14-1/2" Heavy Duty Shelf Bracket

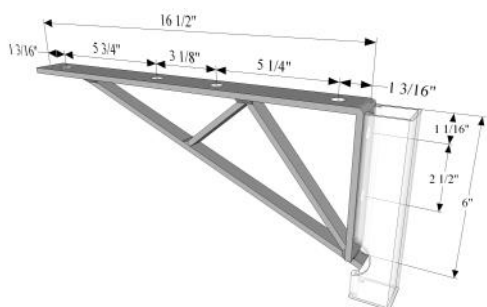


5 Pcs/Box
295 lbs./100 Pcs

	PLTD	SS304	SS316	ALUM	HDG	YLW	GRN	PLN
Stocked in	X							
Other Finishes Available by Special Order								

SB-732-16-1/2

16-1/2" Heavy Duty Shelf Bracket

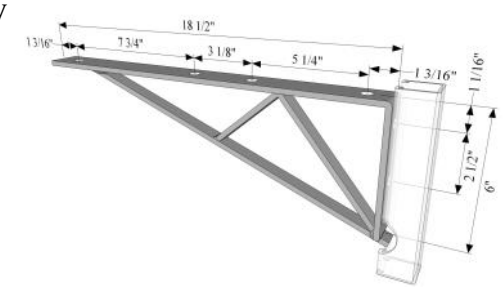


5 Pcs/Box
385 lbs./100 Pcs

	PLTD	SS304	SS316	ALUM	HDG	YLW	GRN	PLN
Stocked in	X							
Other Finishes Available by Special Order								

SB-732-18-1/2

18-1/2" Heavy Duty Shelf Bracket



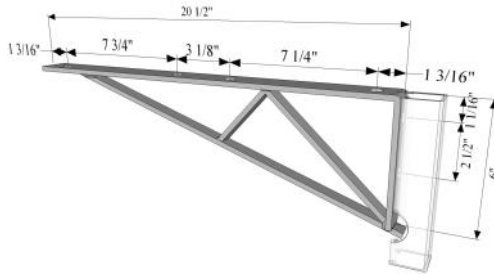
5 Pcs/Box
420 lbs./100 Pcs

	PLTD	SS304	SS316	ALUM	HDG	YLW	GRN	PLN
Stocked in	X							
Other Finishes Available by Special Order								

SB-732-20-1/2

20-1/2"

Heavy Duty
Shelf Bracket



5 Pcs/Box

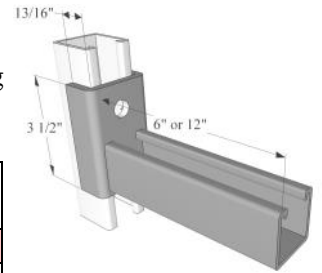
460 lbs./100 Pcs

	PLTD	SS304	SS316	ALUM	HDG	YLW	GRN	PLN
Stocked in	X							
Other Finishes Available by Special Order								

SB-661U-Series

Channel Clevis Bracket

1-5/8" x 1-5/8" x 12 Ga. Strut
 With Opening Up
 1/4" x 3-1/2" Clevis Mounting
 Plate with One 9/16" Holes

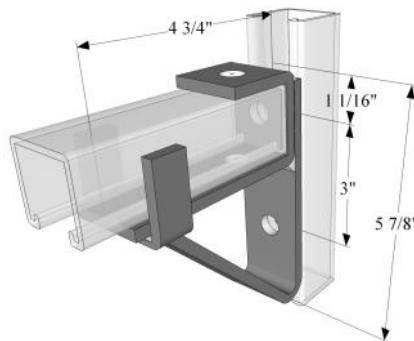


PART NUMBER	BOX QTY.	WEIGHT/ 100 PCS
SB-661-6U	5	191 lbs.
SB-661-12U	10	292 lbs.

	PLTD	SS304	SS316	ALUM	HDG	YLW	GRN	PLN
Stocked in	X							
Other Finishes Available by Special Order								

SB-708

Single Channel
Bracket Support for
1-5/8" x 1-5/8" Strut



10 Pcs/Box

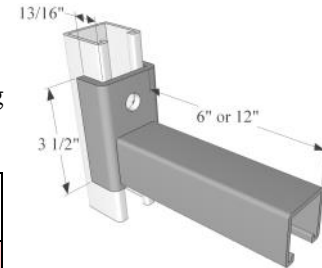
235 lbs./100 Pcs

	PLTD	SS304	SS316	ALUM	HDG	YLW	GRN	PLN
Stocked in	X	X						
Other Finishes Available by Special Order								

SB-661D-Series

Channel Clevis Bracket

1-5/8" x 1-5/8" x 12 Ga. Strut
 With Opening Down
 1/4" x 3-1/2" Clevis Mounting
 Plate with One 9/16" Holes



PART NUMBER	BOX QTY.	WEIGHT/ 100 PCS
SB-661-6D	5	191 lbs.
SB-661-12D	10	292 lbs.

	PLTD	SS304	SS316	ALUM	HDG	YLW	GRN	PLN
Stocked in	X							
Other Finishes Available by Special Order								

SB-3164

Double Channel
Bracket Support
for 1-5/8" x 3-1/4" Strut



10 Pcs/Box

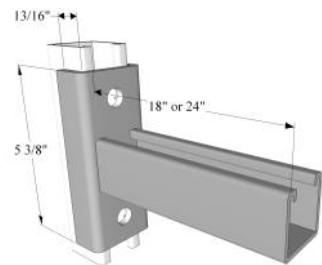
275 lbs./100 Pcs

	PLTD	SS304	SS316	ALUM	HDG	YLW	GRN	PLN
Stocked in	X							
Other Finishes Available by Special Order								

SB-661R-Series

Single Channel Reversible
Clevis Bracket

1-5/8" x 1-5/8" x 12 Ga. Strut
 1/4" x 5-3/8" Mounting
 Plate with Two 9/16" Holes



PART NUMBER	BOX QTY.	WEIGHT/ 100 PCS
SB-661-18R	10	436 lbs.
SB-661-24R	5	536 lbs.

	PLTD	SS304	SS316	ALUM	HDG	YLW	GRN	PLN
Stocked in	X							
Other Finishes Available by Special Order								

BRACES & BRACKETS



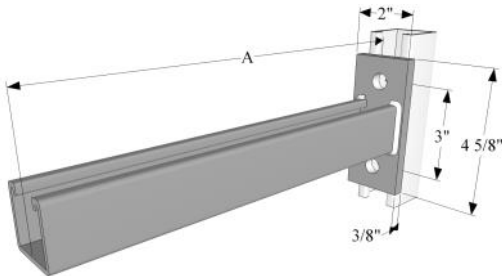
Tel: 1-800-399-3244

Tel: 1-330-399-3344

Fax: 1-330-399-3482

SB-651 Series

Single Channel Reversible Bracket
1-5/8" x 1-5/8" x 12 Ga. Strut
1/4" x 4-7/8" Mounting Plate
with Two 9/16" Holes



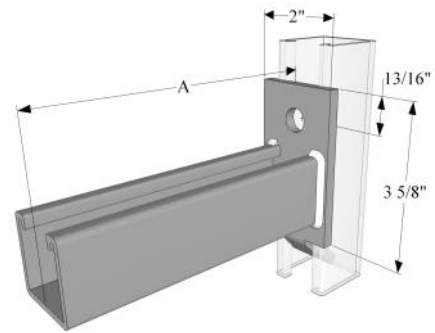
PART NUMBER	'A'	BOX QTY.	WEIGHT/ 100 PCS	PLTD	SS304	SS316	ALUM	HDG	YLW	GRN	PLN
SB-651-6	6"	5	185 lbs.	X							
SB-651-12	12"	10	293 lbs.	X	X	X					
SB-651-15	15"	10	290 lbs.	X							
SB-651-18	18"	10	401 lbs.	X	X	X					
SB-651-24	24"	5	509 lbs.	X	X	X					
SB-651-30	30"	3	600 lbs.	X		X					
SB-651-36	36"	3	700 lbs.	X		X					

Other Finishes Available by Special Order

SB-808U Series

Channel Bracket
1-5/8" x 1-5/8" x 12 Ga. Strut
Strut Opening Up
One 9/16" Mounting Hole
with Interlocking No Swivel
Bottom Attachment

PART NUMBER	'A'	BOX QTY.	WEIGHT/ 100 PCS
SB-808-6U	6	5	161 lbs.
SB-808-12U	12	10	261 lbs.
SB-808-18U	18	10	361 lbs.
SB-808-24U	24	5	461 lbs.



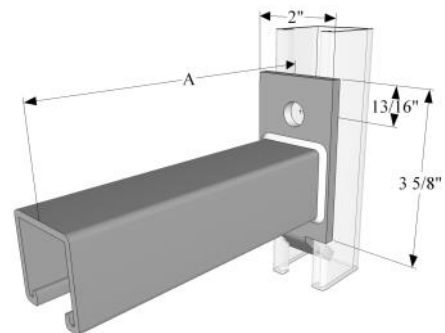
	PLTD	SS304	SS316	ALUM	HDG	YLW	GRN	PLN
Stocked in	X							

Other Finishes Available by Special Order

SB-808D Series

Channel Bracket
1-5/8" x 1-5/8" x 12 Ga. Strut
Strut Opening Down
One 9/16" Mounting Hole
with Interlocking No Swivel
Bottom Attachment

PART NUMBER	'A'	BOX QTY.	WEIGHT/ 100 PCS
SB-808-6D	6	10	161 lbs.
SB-808-12D	12	10	261 lbs.
SB-808-18D	18	10	361 lbs.
SB-808-24D	24	5	461 lbs.

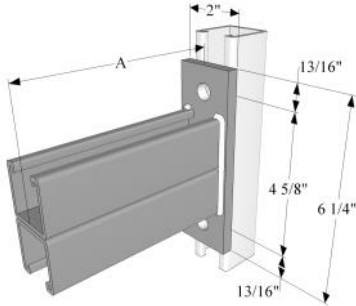


	PLTD	SS304	SS316	ALUM	HDG	YLW	GRN	PLN
Stocked in	X							

Other Finishes Available by Special Order

SB-809 Series

Double Channel Bracket
 1-5/8" x 3-1/4" x 12 Ga. Strut
 3/8" x 2" x 6-1/4" Mounting
 Plate with Two 9/16" Holes

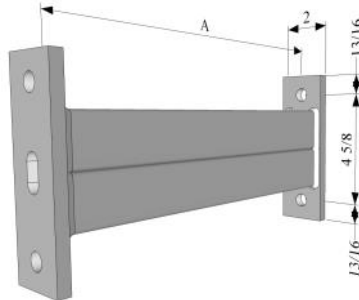


PART NUMBER	'A'	BOX QTY.	WEIGHT/ 100 PCS	PLTD	SS304	SS316	ALUM	HDG	YLW	GRN	PLN
SB-809-12	12	5	490 lbs.	X							
SB-809-18	18	5	670 lbs.	X	X	X					
SB-809-24	24	5	860 lbs.	X							
SB-809-30	30	5	1050 lbs.	X	X	X					
SB-809-36	36	5	1240 lbs.	X	X	X					
SB-809-42	42	5	1400 lbs.	X		X					

Other Finishes Available by Special Order

SB-809-1 Series

Double Channel Stanchion Bracket
 1-5/8" x 3-1/4" x 12 Ga. Strut
 Welded Back to Back and
 A 3/8" x 2" x 6-1/4" Mounting
 Plate Welded to Each End with
 Two 9/16" Holes and
 One 9/16" x 1-1/8" Slot



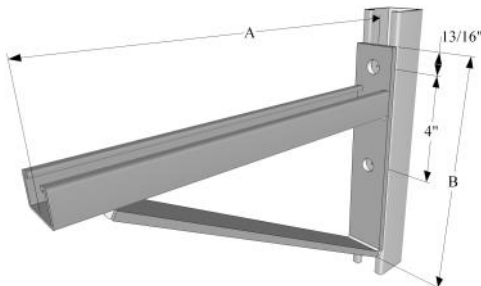
PART NUMBER	'A'	BOX QTY.	WEIGHT/ 100 PCS
SB-809-1-24	24	5	960 lbs.
SB-809-1-30	30	5	1150 lbs.
SB-809-1-36	36	5	1340 lbs.
SB-809-1-42	42	5	1530 lbs.
SB-809-1-48	48	5	1720 lbs.

	PLTD	SS304	SS316	ALUM	HDG	YLW	GRN	PLN
Stocked in	X							

Other Finishes Available by Special Order

SB-3282 Series

Braced Cable Tray Strut Bracket
 1-5/8" x 1" x 12 Ga. Strut
 Two 9/16" Mounting Holes
 3-3/4" O.C.



PART NUMBER	'A'	'B'	BOX QTY.	WEIGHT/ 100 PCS
SB-3282-12	12	8-5/8"	10	388 lbs.
SB-3282-18	18		5	506 lbs.
SB-3282-24	24		5	763 lbs.
SB-3282-30	30	11-1/4"	5	1012 lbs.
SB-3282-36	36		5	1068 lbs.

** 24", 30" and 36" have a support brace **

	PLTD	SS304	SS316	ALUM	HDG	YLW	GRN	PLN
Stocked in	X							

Other Finishes Available by Special Order

BRACES & BRACKETS



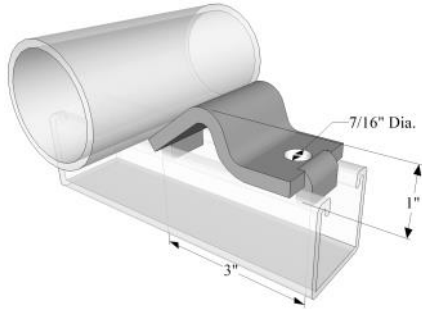
Tel: 1-800-399-3244

Tel: 1-330-399-3344

Fax: 1-330-399-3482

PB-626

Pipe Block for use with 2" to 8" Pipe
Hardware Not Included

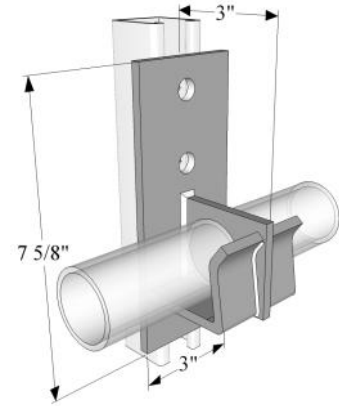


50 Pcs/Box
40 lbs./100 Pcs

	PLTD	SS304	SS316	ALUM	HDG	YLW	GRN	PLN
Stocked in	X							
Other Finishes Available by Special Order								

AS-826-1-1/2

Three Hole Double Axle Support for 1-1/2" Rigid Pipe

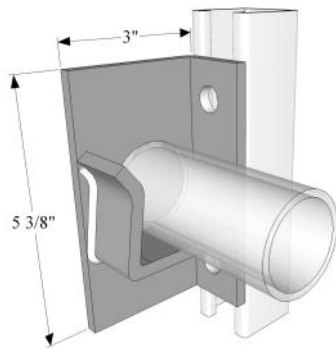


10 Pcs/Box
282 lbs./100 Pcs

	PLTD	SS304	SS316	ALUM	HDG	YLW	GRN	PLN
Stocked in	X							
Other Finishes Available by Special Order								

AS-825-1-1/2L

Two Hole Left Hand Single Axle Support for 1-1/2" Rigid Pipe

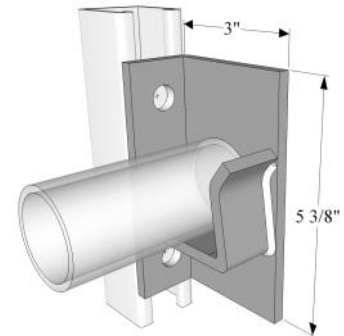


10 Pcs/Box
196 lbs./100 Pcs

	PLTD	SS304	SS316	ALUM	HDG	YLW	GRN	PLN
Stocked in	X							
Other Finishes Available by Special Order								

AS-825-1-1/2R

Two Hole Right Hand Single Axle Support for 1-1/2" Rigid Pipe

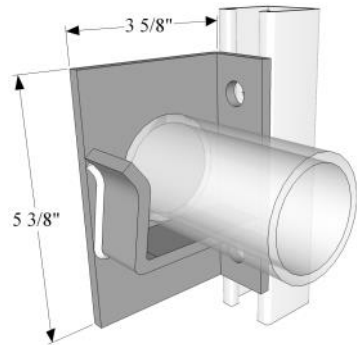


10 Pcs/Box
196 lbs./100 Pcs

	PLTD	SS304	SS316	ALUM	HDG	YLW	GRN	PLN
Stocked in	X							
Other Finishes Available by Special Order								

AS-825-2L

Two Hole Left Hand Single Axle Support for 2" Rigid Pipe

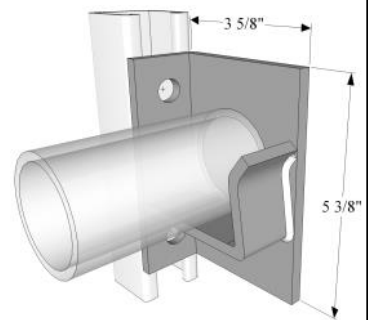


10 Pcs/Box
228 lbs./100 Pcs

	PLTD	SS304	SS316	ALUM	HDG	YLW	GRN	PLN
Stocked in	X							
Other Finishes Available by Special Order								

AS-825-2R

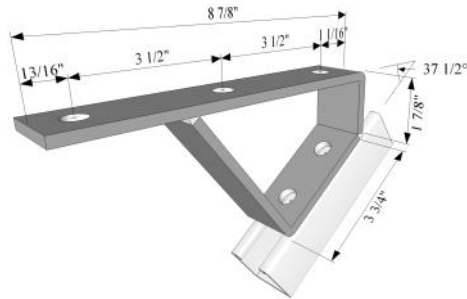
Two Hole Right Hand Single Axle Support for 2" Rigid Pipe



10 Pcs/Box
228 lbs./100 Pcs

	PLTD	SS304	SS316	ALUM	HDG	YLW	GRN	PLN
Stocked in	X							
Other Finishes Available by Special Order								

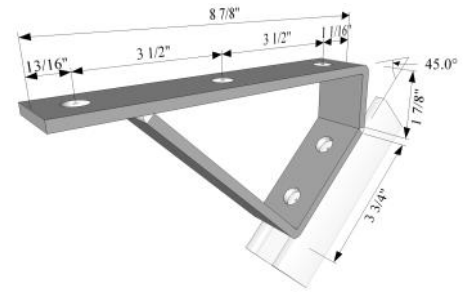
SS-2422
 37-1/2°
 Stair Tread
 Support



10 Pcs/Box
 210 lbs./100 Pcs

	PLTD	SS304	SS316	ALUM	HDG	YLW	GRN	PLN
Stocked in	X							
Other Finishes Available by Special Order								

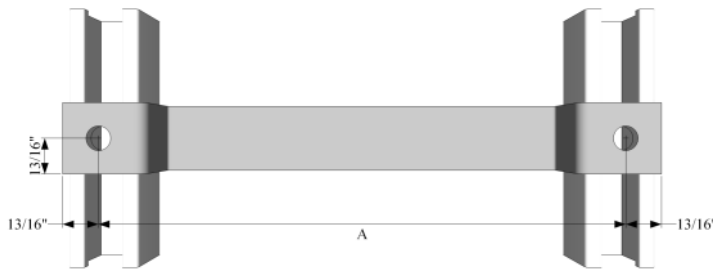
SS-2421
 45°
 Stair Tread
 Support



10 Pcs/Box
 220 lbs./100 Pcs

	PLTD	SS304	SS316	ALUM	HDG	YLW	GRN	PLN
Stocked in	X							
Other Finishes Available by Special Order								

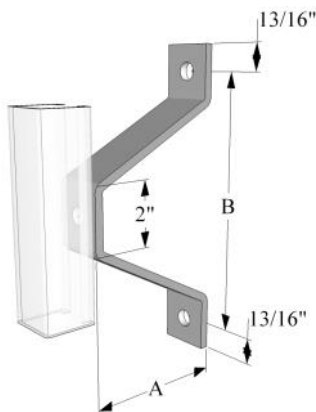
LR-2401 - 2403
 Ladder Rung



PART NUMBER	'A'	BOX QTY	WEIGHT/ 100 PCS
LR-2401	12"	10	190 lbs.
LR-2402	15"	10	220 lbs.
LR-2403	18"	10	254 lbs.

	PLTD	SS304	SS316	ALUM	HDG	YLW	GRN	PLN
Stocked in	X							
Other Finishes Available by Special Order								

WB-2404—WB2408
 Wall Ladder Bracket



PART NUMBER	'A'	'B'	BOX QTY	WEIGHT/ 100 PCS
WB-2404	2-3/8"	6"	10	113 lbs.
WB-2405	4-3/8"	8"	10	164 lbs.
WB-2406	6-3/8"	10"	10	216 lbs.
WB-2407	8-3/8"	12"	10	267 lbs.
WB-2408	10-3/8"	14"	10	318 lbs.

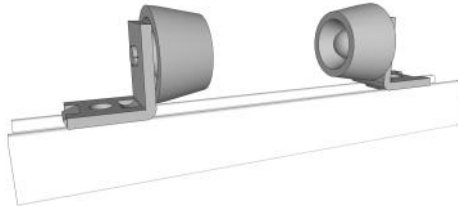
	PLTD	SS304	SS316	ALUM	HDG	YLW	GRN	PLN
Stocked in	X							
Other Finishes Available by Special Order								

PR-1901

Two Roller Adjustable No-Swivel
 Pipe Support Unit for 1" to 8" Pipe
 Cast Aluminum Rollers
 Plated No-Swivel Brackets and Axles

Sold in Pairs

5 Sets/Box
 150 lbs./100 Pcs



	PLTD	SS304	SS316	ALUM	HDG	YLW	GRN	PLN
Stocked in	X							
Other Finishes Available by Special Order								

PR-815-A

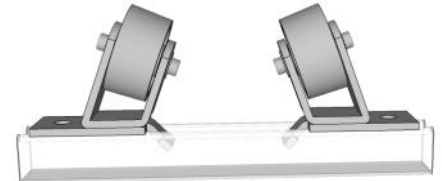
Two Roller Adjustable Pipe Support Unit for 6" to 18" Pipe
 Cast Aluminum Rollers

Includes:

- Plated Axles
- Plated Washer-Cap Style Push Nuts

Sold in Pairs

2 Sets/Box
 397 lbs./100 Pcs



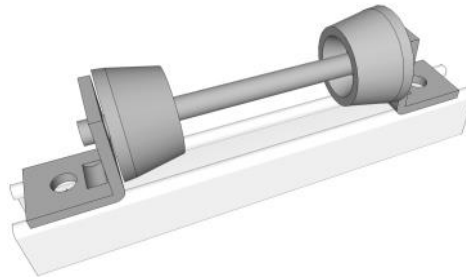
	PLTD	SS304	SS316	ALUM	HDG	YLW	GRN	PLN
Stocked in	X							
Other Finishes Available by Special Order								

PR-1902 Series

Pipe Roller Assembly Consists of:

- Two Cast Aluminum Rollers
- Two No-Swivel Brackets - Plated
- One Axle - Plated

Sold in Pairs



PART NUMBER	PIPES SIZES SUPPORTED	BOX QTY (SETS)	WEIGHT/ 100 PCS
PR-1902-A-3-5/8	1" - 3"	5	159 lbs.
PR-1902-B-4-3/8	2-1/2" - 4"	5	166 lbs.
PR-1902-C-5-3/8	4" - 6"	5	179 lbs.
PR-1902-D-6-3/8	6" - 8"	5	182 lbs.
PR-1902-E-7-1/4	9" - 10"	5	190 lbs.
PR-1902-F-8	12"	5	193 lbs.

	PLTD	SS304	SS316	ALUM	HDG	YLW	GRN	PLN
Stocked in	X							
Other Finishes Available by Special Order								

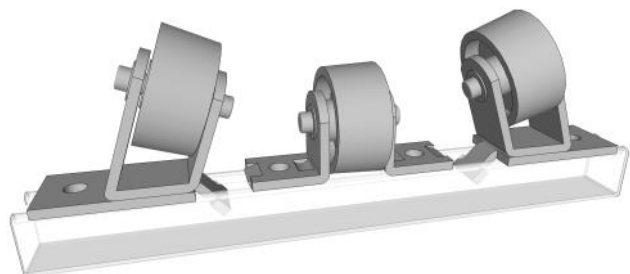
PR-816-A

Three Roller Pipe Support Unit for 20" thru 30" Pipe
 Center Roller 3-3/16" from Top of Channel to Top of Roll
 Cast Aluminum Rollers

Includes:

- Plated Brackets
- Plated Axles
- Plated Washer-Cap Style Push Nuts

2 Sets/Box
 587 lbs./100 Pcs



	PLTD	SS304	SS316	ALUM	HDG	YLW	GRN	PLN
Stocked in	X							
Other Finishes Available by Special Order								

ROLLERS & TROLLEYS

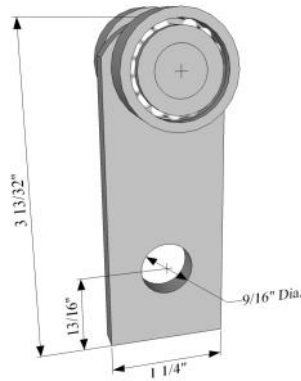
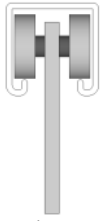


Tel: 1-800-399-3244

Tel: 1-330-399-3344

Fax: 1-330-399-3482

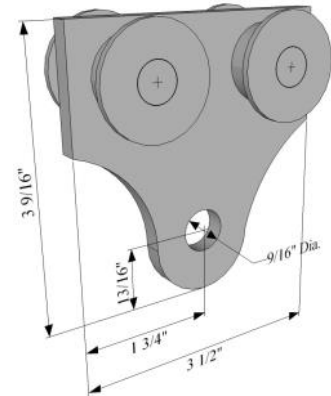
TR-2949-9/16
Two Bearing Trolley



20 Pcs/Box
48 lbs./100 Pcs

	PLTD	SS304	SS316	ALUM	HDG	YLW	GRN	PLN
Stocked in	X							
Other Finishes Available by Special Order								

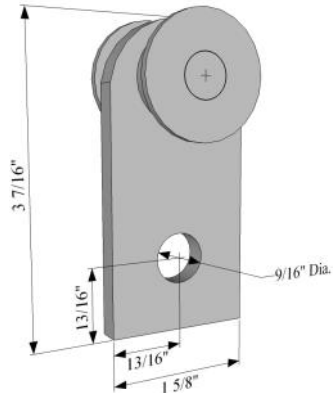
TR-2522-9/16
Four Wheel Trolley



10 Pcs/Box
112 lbs./100 Pcs

	PLTD	SS304	SS316	ALUM	HDG	YLW	GRN	PLN
Stocked in	X							
Other Finishes Available by Special Order								

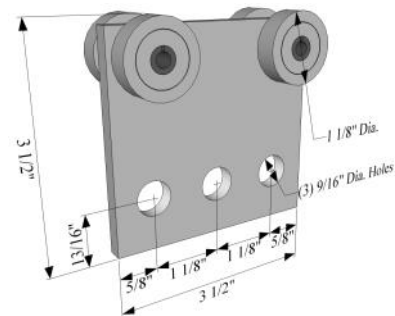
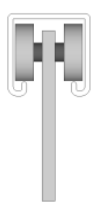
TR-2521
Two Wheel Trolley



20 Pcs/Box
60 lbs./100 Pcs

	PLTD	SS304	SS316	ALUM	HDG	YLW	GRN	PLN
Stocked in	X							
Other Finishes Available by Special Order								

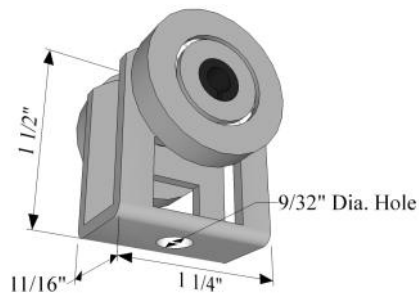
TR-2950-9/16
Four Bearing Trolley



10 Pcs/Box
120 lbs./100 Pcs

	PLTD	SS304	SS316	ALUM	HDG	YLW	GRN	PLN
Stocked in	X							
Other Finishes Available by Special Order								

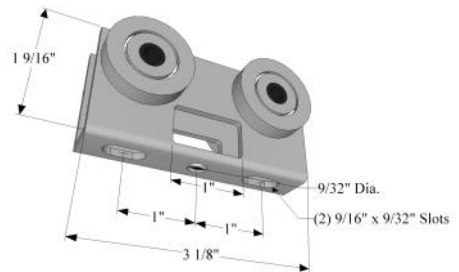
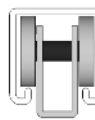
TR-2524
Two Bearing Light Duty Trolley



20 Pcs/Box
25 lbs./100 Pcs

	PLTD	SS304	SS316	ALUM	HDG	YLW	GRN	PLN
Stocked in	X							
Other Finishes Available by Special Order								

TR-2525
Four Bearing Light Duty Trolley

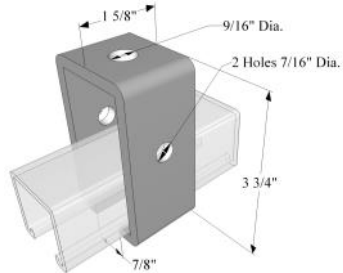


10 Pcs/Box
50 lbs./100 Pcs

	PLTD	SS304	SS316	ALUM	HDG	YLW	GRN	PLN
Stocked in	X							
Other Finishes Available by Special Order								

TR-2528

Intermediate Support for
 1-5/8" x 1-5/8" Trolley Track
 9/16" Top Hole
 7/16" Side Holes

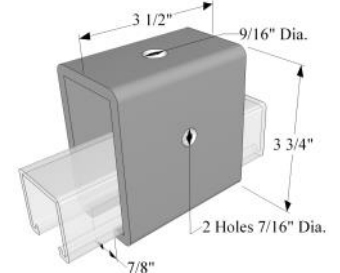


20 Pcs/Box
 100 lbs./100 Pcs

	PLTD	SS304	SS316	ALUM	HDG	YLW	GRN	PLN
Stocked in	X							
Other Finishes Available by Special Order								

TR-2528-1

Splice Support for
 1-5/8" x 1-5/8" Trolley Track
 9/16" Top Hole
 7/16" Side Holes



10 Pcs/Box
 226 lbs./100 Pcs

	PLTD	SS304	SS316	ALUM	HDG	YLW	GRN	PLN
Stocked in	X							
Other Finishes Available by Special Order								

ELECTRICAL

MATERIAL

Fittings are made from 1/4" steel (ASTM A575 M1015 Grade), 16 ga. steel (ASTM A366), 14 ga. and thicker steel (ASTM A569), Stainless Steel (ASTM A276 Type 304 and A276 Type 316L) and Aluminum (ASTM B-221 6063T1).

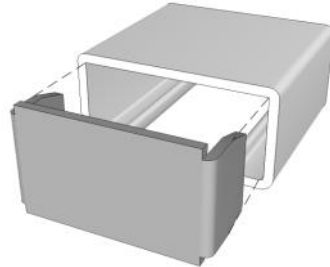
FINISH

The standard finish is electroplated coatings of Zinc conforms to ASTM B633 SC1 Type III.



EC-930

Raceway Type "A" End Cap for
 1-5/8" x 13/16" x 14 Ga. Strut

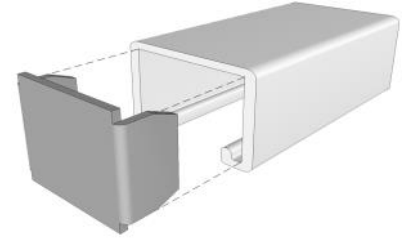


100 Pcs/Box
 4 lbs./100 Pcs

	PLTD	SS304	SS316	ALUM	HDG	YLW	GRN	PLN
Stocked in	X	X						
Other Finishes Available by Special Order								

EC-901

Raceway or Concrete Insert End Cap for
 1-5/8" x 1" x 12 Ga. Strut

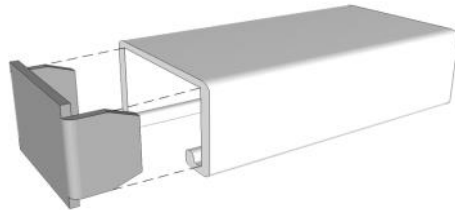


100 Pcs/Box
 5 lbs./100 Pcs

	PLTD	SS304	SS316	ALUM	HDG	YLW	GRN	PLN
Stocked in	X							
Other Finishes Available by Special Order								

EC-656

Raceway or Concrete Insert End Cap for
 1-5/8" x 1-3/8" x 12 Ga. Strut

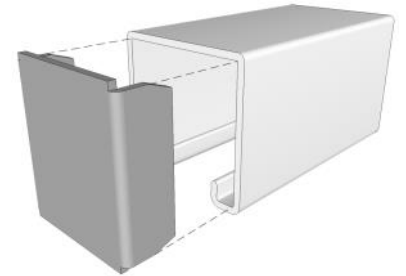


100 Pcs/Box
 6 lbs./100 Pcs

	PLTD	SS304	SS316	ALUM	HDG	YLW	GRN	PLN
Stocked in	X							
Other Finishes Available by Special Order								

EC-2585

Raceway End Cap for
 1-5/8" x 1-5/8" x 14 Ga. Strut

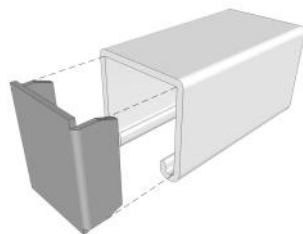


100 Pcs/Box
 8 lbs./100 Pcs

	PLTD	SS304	SS316	ALUM	HDG	YLW	GRN	PLN
Stocked in	X							
Other Finishes Available by Special Order								

EC-655

Raceway or Concrete Insert End Cap for
 1-5/8" x 1-5/8" x 12 Ga. Strut

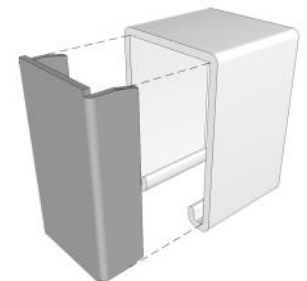


100 Pcs/Box
 10 lbs./100 Pcs

	PLTD	SS304	SS316	ALUM	HDG	YLW	GRN	PLN
Stocked in	X	X						
Other Finishes Available by Special Order								

EC-2580

Raceway End Cap for
 1-5/8" x 2-7/16" x 12 Ga. Strut



100 Pcs/Box
 14 lbs./100 Pcs

	PLTD	SS304	SS316	ALUM	HDG	YLW	GRN	PLN
Stocked in	X							
Other Finishes Available by Special Order								

EC-902

Raceway Type "A" End Cap for
1-5/8" x 3-1/4" x 12 Ga. Strut



100 Pcs/Box
16 lbs./100 Pcs

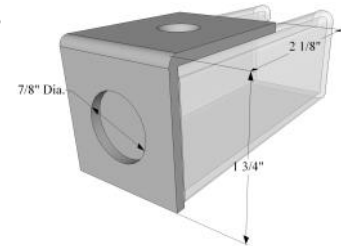
	PLTD	SS304	SS316	ALUM	HDG	YLW	GRN	PLN
Stocked in	X							
Other Finishes Available by Special Order								

KO-2511-2A-1/2

Raceway End Cap for 1-5/8" x 1-5/8" Strut
with Knock-Out for 1/2" Conduit

Includes:

- One 1/4"-20 x 5/8" FHMS
- One 1/4"-20 WO Serrated Clamping Nut



50 Pcs/Box
21 lbs./100 Pcs

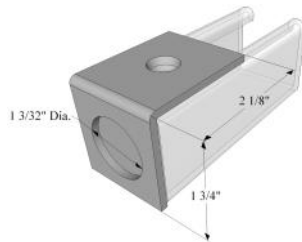
	PLTD	SS304	SS316	ALUM	HDG	YLW	GRN	PLN
Stocked in	X							
Other Finishes Available by Special Order								

KO-2511-2A-3/4

Raceway End Cap for
1-5/8" x 1-5/8" Strut
with Knock-Out for 3/4" Conduit

Includes:

- One 1/4"-20 x 5/8" FHMS
- One 1/4"-20 WO Serrated Clamping Nut



50 Pcs/Box
21 lbs./100 Pcs

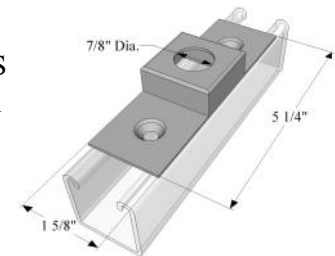
	PLTD	SS304	SS316	ALUM	HDG	YLW	GRN	PLN
Stocked in	X							
Other Finishes Available by Special Order								

CC-2560-1/2

1/2" Conduit Connector with 7/8" Hole

Includes:

- Two 1/4"-20 x 5/8" FHMS
- Two 1/4"-20 WO Serrated Clamping Nuts



25 Pcs/Box
28 lbs./100 Pcs

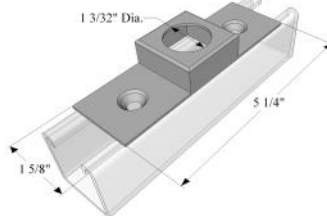
	PLTD	SS304	SS316	ALUM	HDG	YLW	GRN	PLN
Stocked in	X							
Other Finishes Available by Special Order								

CC-2561-3/4

3/4" Conduit Connector with 1-3/32" Hole

Includes:

- Two 1/4"-20 x 5/8" FHMS
- Two 1/4"-20 WO Serrated Clamping Nuts

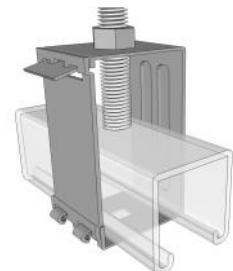


25 Pcs/Box
28 lbs./100 Pcs

	PLTD	SS304	SS316	ALUM	HDG	YLW	GRN	PLN
Stocked in	X							
Other Finishes Available by Special Order								

SH-2632-9/16

Swing Gate Strut Hanger
for all 1-5/8" Wide Strut up
to 1-5/8" Deep Strut
with 9/16" Hole for 1/2" Rod

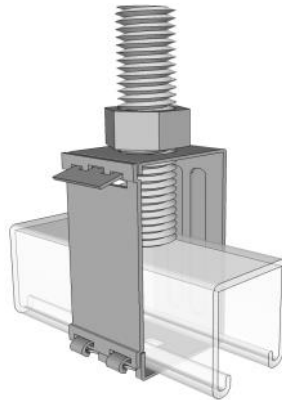


20 Pcs/Box
25 lbs./100 Pcs

	PLTD	SS304	SS316	ALUM	HDG	YLW	GRN	PLN
Stocked in	X							
Other Finishes Available by Special Order								

SH-2632-7/8

Swing Gate Strut Hanger
 for all 1-5/8" Wide Strut
 up to 1-5/8" Deep Strut
 with 7/8" Hole

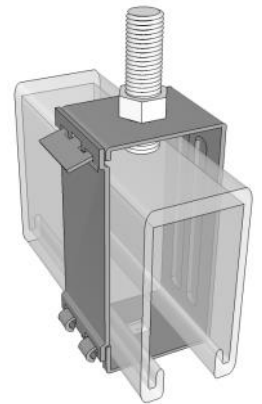


20 Pcs/Box
 25 lbs./100 Pcs

	PLTD	SS304	SS316	ALUM	HDG	YLW	GRN	PLN
Stocked in	X							
Other Finishes Available by Special Order								

SH-2632D-9/16

Swing Gate Strut Hanger
 for 1-5/8" x 2-7/16" or
 1-5/8" x 3-1/4" Strut
 with 9/16" Hole
 for 1/2" Rod

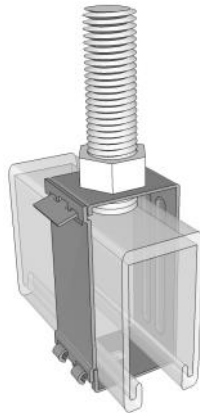


20 Pcs/Box
 30 lbs./100 Pcs

	PLTD	SS304	SS316	ALUM	HDG	YLW	GRN	PLN
Stocked in	X							
Other Finishes Available by Special Order								

SH-2632D-7/8

Swing Gate Strut Hanger
 for 1-5/8" x 2-7/16" or
 1-5/8" x 3-1/4" Strut
 with 7/8" Hole

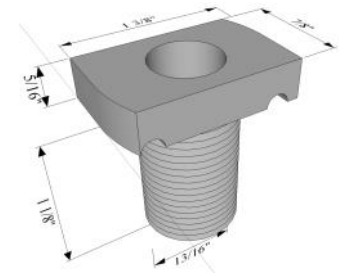


20 Pcs/Box
 30 lbs./100 Pcs

	PLTD	SS304	SS316	ALUM	HDG	YLW	GRN	PLN
Stocked in	X							
Other Finishes Available by Special Order								

WS-2625 Alum

3/4" W x 1-3/8" L x 1-1/8" Stud
 1/2" Conduit Thread x 1" Thread

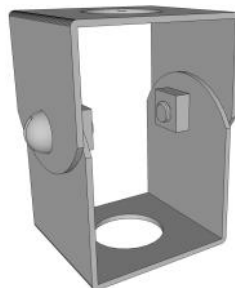


20 Pcs/Box
 18 lbs./100 Pcs

	PLTD	SS304	SS316	ALUM	HDG	YLW	GRN	PLN
Stocked in				X				
Other Finishes Available by Special Order								

SH-659-A, SH-658-A, SH-807-A

Double Clevis Strut Hanger



Includes:

- Top Clevis: 7/8" Hole
- Bottom Clevis: 7/8", 3/8" and 1/2" Hole Washers for Rod Selection
- Two 1/4"-20 x 1/2" RHMS
- Two 1/4"-20 Square Nuts

PART NUMBER	STRUT SIZE	BOX QTY	WEIGHT/100 PCS
SH-659-A	1-5/8" x 13/16" or 1-5/8" x 1"	25	33 lbs.
SH-658-A	1-5/8" x 1-5/8"	25	36 lbs.
SH-807-A	1-5/8" x 2-7/16" or 1-5/8" x 3-1/4"	25	45 lbs.

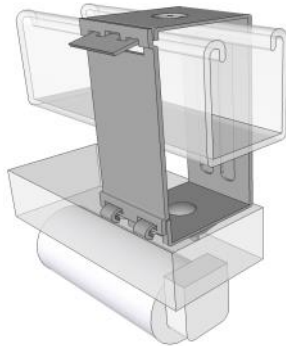
	PLTD	SS304	SS316	ALUM	HDG	YLW	GRN	PLN
Stocked in	X							
Other Finishes Available by Special Order								

FH-2631

Swing Gate Fixture Hanger
for 1-5/8" Wide Strut up to
1-5/8" Deep Strut

Includes:

- 1/4"-20 Staked Carriage Bolt
- 1/4"-20 x 1-3/8" OD Round Wing Nut



20 Pcs/Box

27 lbs./100 Pcs

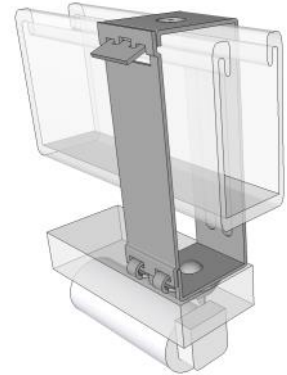
	PLTD	SS304	SS316	ALUM	HDG	YLW	GRN	PLN
Stocked in	X							
Other Finishes Available by Special Order								

FH-2631-D

Swing Gate Fixture Hanger
for 1-5/8" x 2-7/16" and
1-5/8" x 3-1/4" Deep Strut

Includes:

- 1/4"-20 Staked Carriage Bolt
- 1/4"-20 x 1-3/8" OD Round Wing Nut



20 Pcs/Box

33 lbs./100 Pcs

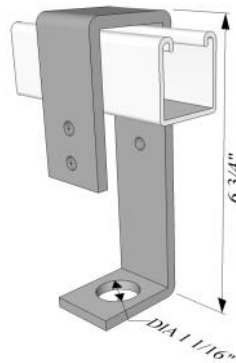
	PLTD	SS304	SS316	ALUM	HDG	YLW	GRN	PLN
Stocked in	X							
Other Finishes Available by Special Order								

FH-3301-1-1/16

Mercury Vapor Fixture Hanger for
1-5/8" x 1-5/8" or 1-5/8" x 2-7/16" Strut
1-1/16" Hole for Fixture Attachment

Does Not Include:

- 3/8"-16 x 2-3/4" HHCS
- 3/8"-16 Hex Nylok Nut



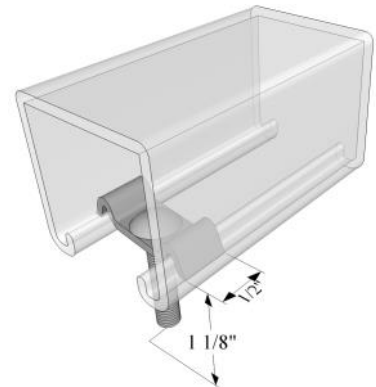
20 Pcs/Box

154 lbs./100 Pcs

	PLTD	SS304	SS316	ALUM	HDG	YLW	GRN	PLN
Stocked in	X							
Other Finishes Available by Special Order								

FS-2636

1/4"-20 x 1-1/8"
Fluorescent Fixture
Stud Nut



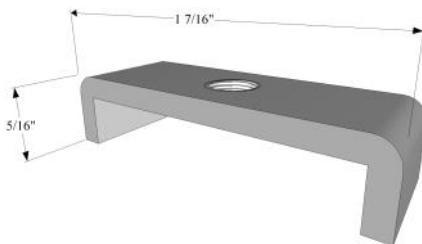
100 Pcs/Box

4.0 lbs./100 Pcs

	PLTD	SS304	SS316	ALUM	HDG	YLW	GRN	PLN
Stocked in	X							
Other Finishes Available by Special Order								

FN-2637

1/4"-20 Fluorescent Fixture



100 Pcs/ Box

2.4 lbs./100 Pcs

	PLTD	SS304	SS316	ALUM	HDG	YLW	GRN	PLN
Stocked in	X							
Other Finishes Available by Special Order								

OB-2639

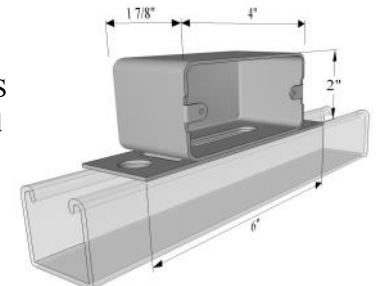
Handy Outlet Box 2" x 4" x 1-7/8" Deep
with 1/2" x 2-1/2" Grommet Slot for Feeding Wire

Includes:

- Two 1/4"-20 x 5/8" FHMS
- Two 1/4"-20 WO Serrated Clamping Nuts

20 Pcs/Box

85 lbs./100 Pcs



	PLTD	SS304	SS316	ALUM	HDG	YLW	GRN	PLN
Stocked in	X							
Other Finishes Available by Special Order								

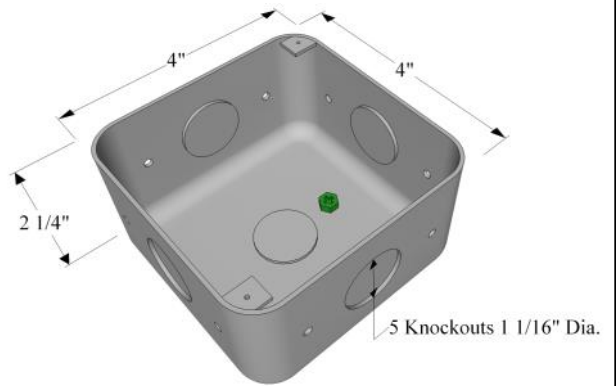
JB-2660

4" Square x 2-1/4" Deep Junction Box
 1-1/8" Knockouts on All Four Sides and Bottom
 Two Holes on Each Side of Knockouts to Accept
 Hub Assembly

Includes:

- Hardware to Attach Cover
- Grounding Screw in Bottom

5 Pcs/Box
 113 lbs./100 Pcs



	PLTD	SS304	SS316	ALUM	HDG	YLW	GRN	PLN
Stocked in	X							
Other Finishes Available by Special Order								

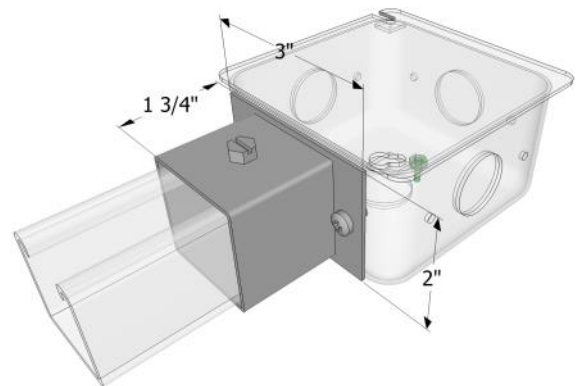
JB-2662-A

Hub Assembly to be used with JB-2660
 to make 1, 2, 3 or 4 Way Junction Boxes

Includes:

- #10-24 x 3/8 PPHS for Mounting Hub to JB-2660
- 1/4"-20 x 3/4" Bolt
- 1/4"-20 WO Clamping Nut

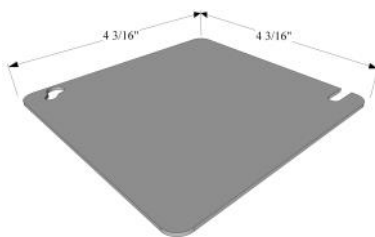
10 Pcs/Box
 27 lbs./100 Pcs



	PLTD	SS304	SS316	ALUM	HDG	YLW	GRN	PLN
Stocked in	X							
Other Finishes Available by Special Order								

JB-2661

4" Square Blank
 Cover Plate for JB-2660

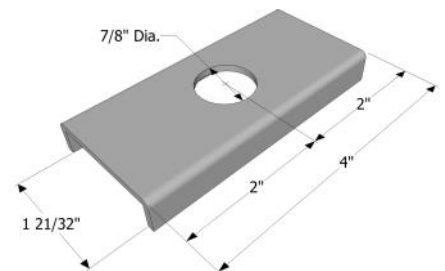


50 Pcs/Box
 30 lbs./100 Pcs

	PLTD	SS304	SS316	ALUM	HDG	YLW	GRN	PLN
Stocked in	X							
Other Finishes Available by Special Order								

SC-2627

Spacer Clevis
 Can be used with
 WS-2625 ALUM
 Wiring Stud



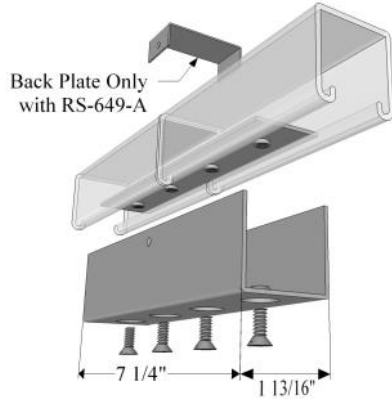
25 Pcs/Box
 30 lbs./100 Pcs

	PLTD	SS304	SS316	ALUM	HDG	YLW	GRN	PLN
Stocked in	X							
Other Finishes Available by Special Order								

RS-942-A, RS-649-A, RS-2582-A, RS-805-A Raceway Splice Plate

Includes:

- Clevis
- Tapped Plate
- 1/4-20 x 5/8" FHMS
- Back Plate
- (RS-649-A ONLY)



PART NUMBER	FOR USE WITH	BOX QTY	WEIGHT/100 PCS
RS-942-A	1-5/8" x 13/16" Strut	25	85 lbs.
RS-649-A	1-5/8" x 1-5/8" Strut	25	134 lbs.
RS-2582-A	1-5/8" x 2-7/16" Strut	10	133 lbs.
RS-805-A	1-5/8" x 3-1/4" Strut	10	155 lbs.

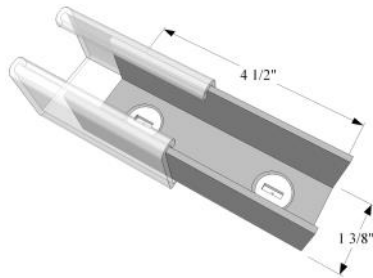
Stocked in	PLTD	SS304	SS316	ALUM	HDG	YLW	GRN	PLN
	X							
Other Finishes Available by Special Order								

IJ-2900

4-1/2" Long Straight Internal
"U" Joiner for 1-5/8" x 1-5/8" x 12 Ga. Strut

Includes

- Two Cam Screws



10 Pcs/Box
50 lbs./100 Pcs

Stocked in	PLTD	SS304	SS316	ALUM	HDG	YLW	GRN	PLN
	X							
Other Finishes Available by Special Order								

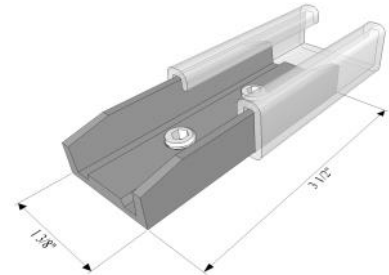
IJ-2804 ALUM

Internal Strut Joiner for
13/16" 14 Ga. Strut or
7/8" 12 Ga. Strut

Includes

- Two Set Screws

10 Pcs/Box
14 lbs./100 Pcs



Stocked in	PLTD	SS304	SS316	ALUM	HDG	YLW	GRN	PLN
				X				
Other Finishes Available by Special Order								

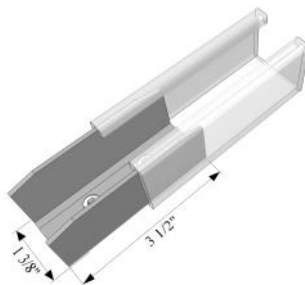
IJ-2800 ALUM

Internal Strut Joiner for
1-5/8" x 1-5/8" x 12 Ga.
Strut

Includes

- Two Set Screws

10 Pcs/Box
20 lbs./100 Pcs



Stocked in	PLTD	SS304	SS316	ALUM	HDG	YLW	GRN	PLN
				X				
Other Finishes Available by Special Order								

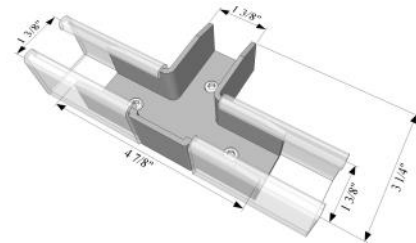
IJ-2801 ALUM

"Tee" Internal Strut Joiner for
1-5/8" x 1-5/8" x 12 Ga. Strut

Includes

- Three Set Screws

10 Pcs/Box
40 lbs./100 Pcs

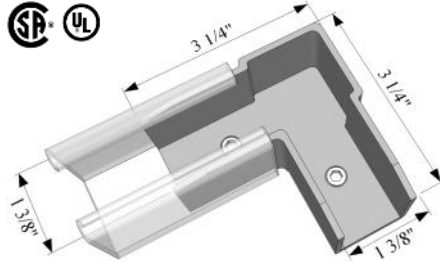


Stocked in	PLTD	SS304	SS316	ALUM	HDG	YLW	GRN	PLN
				X				
Other Finishes Available by Special Order								

IJ-2802 ALUM

“Elbow” Internal Strut Joiner for
 1-5/8” x 1-5/8” x 12 Ga. Strut

Includes
 Two Set Screws



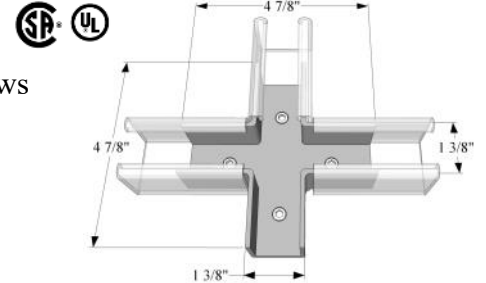
10 Pcs/Box
 30 lbs./100 Pcs

	PLTD	SS304	SS316	ALUM	HDG	YLW	GRN	PLN
Stocked in				X				
Other Finishes Available by Special Order								

IJ-2803 ALUM

“Cross” Internal Strut Joiner for
 1-5/8” x 1-5/8” x 12 Ga. Strut

Includes
 Four Set Screws

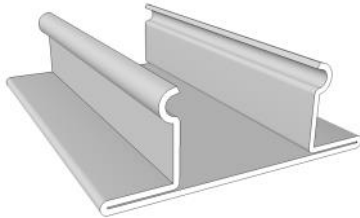


10 Pcs/Box
 50 lbs./100 Pcs

	PLTD	SS304	SS316	ALUM	HDG	YLW	GRN	PLN
Stocked in				X				
Other Finishes Available by Special Order								

CS-707

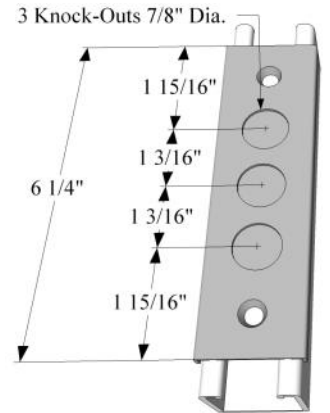
Raceway Closure Strip
 Pre-Galvanized
 21 Ga.
 Stocked in 10’ Lengths
 Use with All 1-5/8” Wide Channel



KO-791 PLTD

Electrical Box
 Adapter Plate

Includes
 Two 1/4”-20 x 5/8” FHMS
 Two 1/4”-20 WO Serrated
 Clamping Nut



50 Pcs/Box
 18 lbs./100 Pcs

	PLTD	SS304	SS316	ALUM	HDG	YLW	GRN	PLN
Stocked in	X							
Other Finishes Available by Special Order								

PVC ENDCAPS

MATERIAL

Polyvinyl Chloride

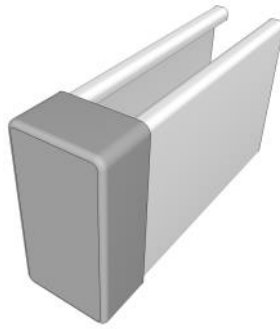


EC-6153-1 Series

Safety End Cap

Use with

1-5/8" x 3-1/4" Strut



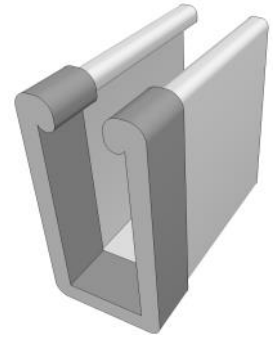
PART NUMBER	COLOR	BOX QTY	WEIGHT/ 100 PCS
EC-6153-1 RED	RED	25	7.3 lbs.
EC-6153-1 GRY	GRAY	25	7.3 lbs.
EC-6153-1 WHI	WHITE	25	7.3 lbs.
EC-6153-1 YEL	YELLOW	25	7.3 lbs.

EC-6154-1 Series

Safety End Cap

Use with

1-5/8" x 3-1/4" Strut



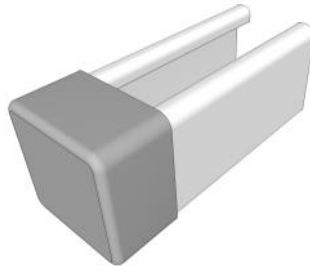
PART NUMBER	COLOR	BOX QTY	WEIGHT/ 100 PCS
EC-6154-1 GRY	GRAY	50	5.6 lbs.
EC-6154-1 WHI	WHITE	50	5.6 lbs.
EC-6154-1 GRN	GREEN	50	5.6 lbs.

EC-6153-2 Series

Safety End Cap

Use with

1-5/8" x 1-5/8" Strut



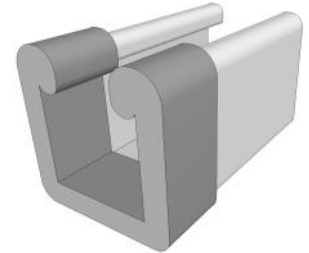
PART NUMBER	COLOR	BOX QTY	WEIGHT/ 100 PCS
EC-6153-2 RED	RED	50	4.2 lbs.
EC-6153-2 GRY	GRAY	50	4.2 lbs.
EC-6153-2 WHI	WHITE	50	4.2 lbs.
EC-6153-2 YEL	YELLOW	50	4.2 lbs.
EC-6153-2 BLK	BLACK	50	4.2 lbs.
EC-6153-2 GRN	GREEN	50	4.2 lbs.

EC-6154-2 Series

Safety End Cap

Use with

1-5/8" x 1-5/8" Strut



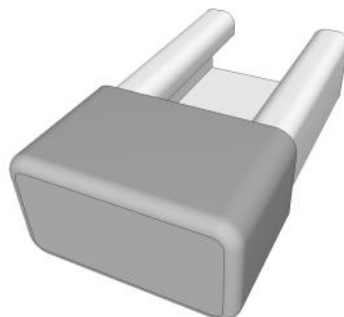
PART NUMBER	COLOR	BOX QTY	WEIGHT/ 100 PCS
EC-6154-2 GRY	GRAY	50	4.1 lbs.
EC-6154-2 WHI	WHITE	50	4.1 lbs.
EC-6154-2 GRN	GREEN	50	4.1 lbs.

EC-6153-5 Series

Safety End Cap

Use with

1-5/8" x 13/16" Strut



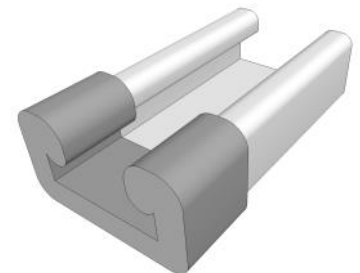
PART NUMBER	COLOR	BOX QTY	WEIGHT/ 100 PCS
EC-6153-5 RED	RED	50	4 lbs.
EC-6153-5 GRY	GRAY	50	4 lbs.
EC-6153-5 WHI	WHITE	50	4 lbs.

EC-6154-5 Series

Safety End Cap

Use with

1-5/8" x 13/16" Strut



PART NUMBER	COLOR	BOX QTY	WEIGHT/ 100 PCS
EC-6154-5 GRY	GRAY	50	3.5 lbs.
EC-6154-5 WHI	WHITE	50	3.5 lbs.
EC-6154-5 GRN	GREEN	50	3.5 lbs.

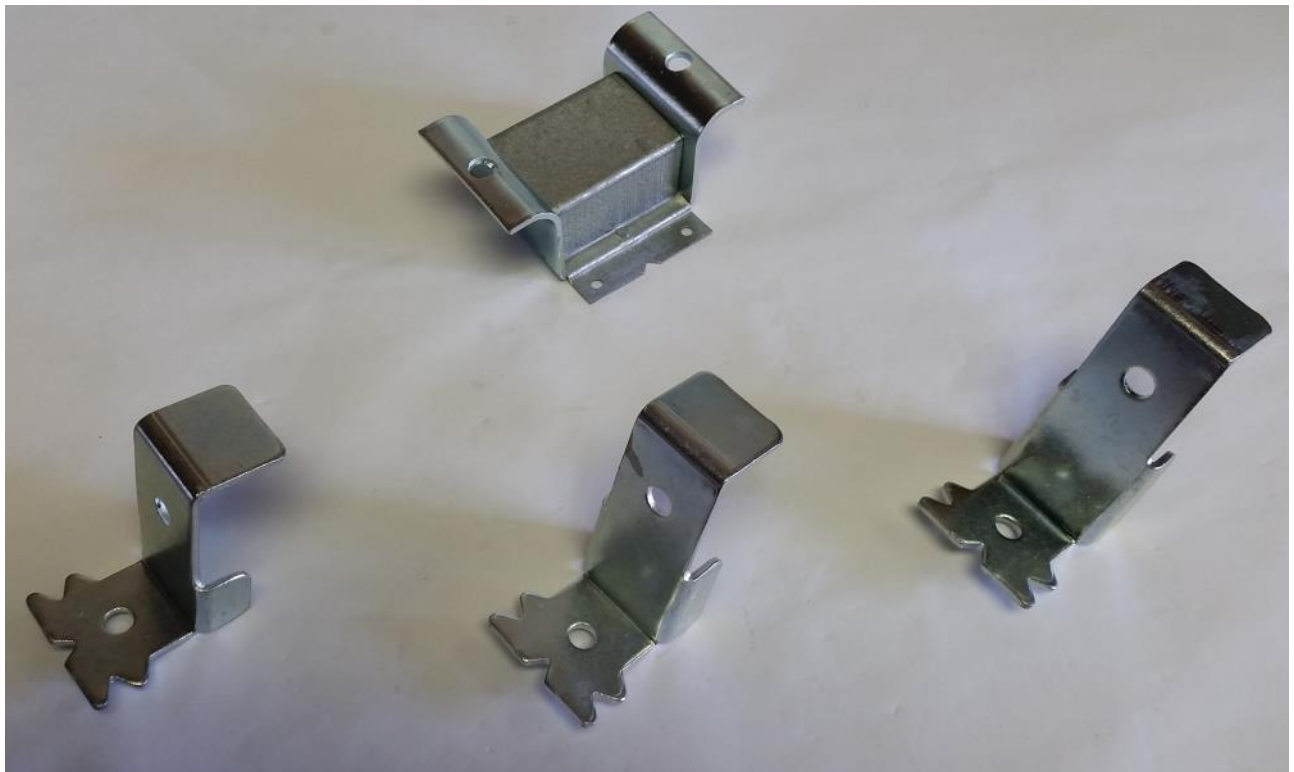
CONCRETE INSERTS

MATERIAL

Concrete inserts are made from 12 ga. steel (ASTM 1010 SS Gr 33)

FINISH

The standard finish is electroplated coatings of Zinc and conforms to ASTM B633 SC1 Type III.



CONCRETE INSERTS

**R.F. PRODUCTS
CORP.**

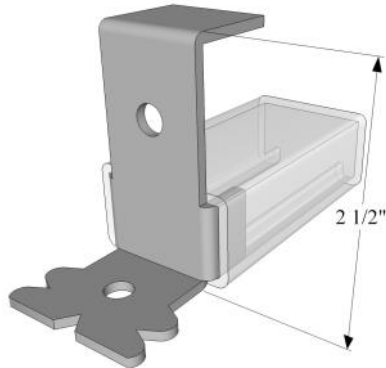
Tel: 1-800-399-3244

Tel: 1-330-399-3344

Fax: 1-330-399-3482

EC-654

Type "B" End Cap
For 1-5/8" x 1"
Concrete Inserts

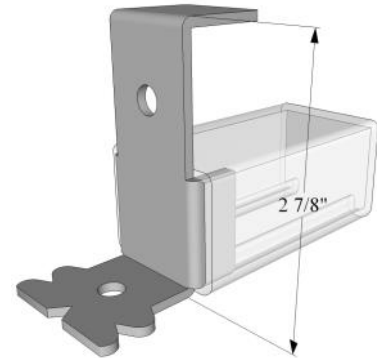


50 Pcs/Box
12 lbs./100 Pcs

	PLTD	SS304	SS316	ALUM	HDG	YLW	GRN	PLN
Stocked in	X							
Other Finishes Available by Special Order								

EC-653

Type "B" End Cap
For 1-5/8" x 1-3/8"
Concrete Inserts

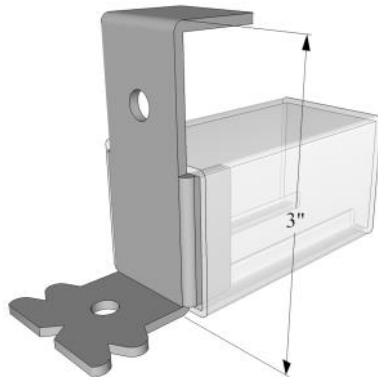


50 Pcs/Box
20 lbs./100 Pcs

	PLTD	SS304	SS316	ALUM	HDG	YLW	GRN	PLN
Stocked in	X							
Other Finishes Available by Special Order								

EC-652

Type "B" End Cap
For 1-5/8" x 1-5/8"
Concrete Inserts

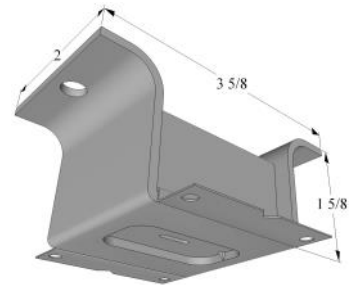


50 Pcs/Box
20 lbs./100 Pcs

	PLTD	SS304	SS316	ALUM	HDG	YLW	GRN	PLN
Stocked in	X							
Other Finishes Available by Special Order								

SI-2600

Slotted Concrete
Spot Insert

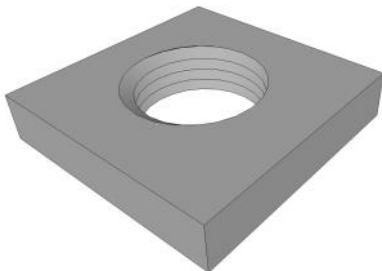


25 Pcs/Box
45 lbs./100 Pcs

	PLTD	SS304	SS316	ALUM	HDG	YLW	GRN	PLN
Stocked in	X							X
Other Finishes Available by Special Order								

SI-2600 Series

1-1/4" Square Nuts
for SI-2600 Spot Insert



PART NUMBER	HOLE	THICKNESS	BOX QTY	WEIGHT/100 PCS
SI-2600-1/4	1/4"-20	1/4"	100	11 lbs.
SI-2600-3/8	3/8"-16	3/8"	100	13 lbs.
SI-2600-1/2	1/2"-13	1/2"	100	20 lbs.
SI-2600-5/8	5/8"-11	1/2"	100	18 lbs.
SI-2600-3/4	3/4"-10	1/2"	100	17 lbs.
SI-2600-7/8	7/8"-9	1/2"	100	15 lbs.

	PLTD	SS304	SS316	ALUM	HDG	YLW	GRN	PLN
Stocked in	X							
Other Finishes Available by Special Order								