

Welcome to the Madison pdf catalog!

For any questions or information regarding the purchase of our products, please contact your regional rep from the list below. Thanks!

Paul Roach

Western Regional Sales Manager
proach@meproducts.net

Brian Goodwill

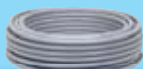
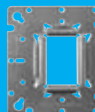
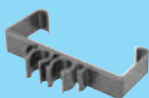
Eastern Regional Sales Manager
bgoodwill@meproducts.net

Scott Davis

North-Central Regional Sales Manager
sdavis@meproducts.net

get [connected]





Madison has it!



We proudly offer over 2,000 products, many of which have been created and tested by electricians in the field. Madison offers these products to the electrical industry through a vast network of electrical distributors. Whether you're in need of a fitting, or a tool to make your job easier, Madison has it!

TABLE OF CONTENTS

Terms & Conditions	ii
Letter from the President	iv
About Us	vi
Awards	x
Sparks Program	xii
New Products	xiv
Tools	2
Rigid & IMC Conduit Fittings	14
EMT Conduit Fittings	32
Liquid-Tight Fittings	44
Flex/MC/AC Fittings	52
NM Fittings & Supports	62
Portable Cord Fittings	74
Grounding, Bonding & Splicing	80
PVC Fittings	90
Conduit Bodies	110
Nipples, Elbows & Couplings	126
Hangers & Supports	142
Service Entrance Hardware	162
Box & Fixture Accessories	174
Flexible & Liquid-Tight Conduit	182

TERMS

Upon approved credit, the following standard terms will apply: 2% 10th, net 30 days.

MINIMUM BILLING

Due to order processing costs, a minimum charge of \$100 will be applied to each invoice regardless of the order value.

FREIGHT

Full freight is allowed and prepaid on shipments totaling \$1,000 or more. Shipments less than \$1,000 will ship freight prepaid and add. Prepaid shipments will be routed by Madison to any point within the continental United States. Shipments outside of the continental United States are prepaid to point of embarkation. Special routing requests such as Air Freight will be shipped freight collect.

PRICING

Prices are subject to change without notice unless protected by a registered quotation for a specified time. Only products and quantities identified on the quotation will receive price protection for specified time.

RETURN POLICY

- Approval to return material for credit or replacement, and disposition of such material will be made by the factory office in Bedford Heights, OH, only.
- Request to return material must include catalog number, quantity, invoice number and date of purchase.

- All material to be returned must be current catalogued items and have an original purchase date within the preceding 12 months.
- All material must be in unused and resalable condition, and in standard shelf carton quantities.
- An RGA will be issued by the factory, after which material must be shipped on a freight prepaid basis to destination as specified on the RGA.
- Material must be returned within 60 days of authorization or the authorization will be voided.
- All material returned will be subject to a 20% restocking fee, unless otherwise authorized by the factory.

WARRANTY

Madison products are inspected carefully. However, it is impossible to detect all imperfections. Our guarantee is only to replace such merchandise as may prove defective if called to our attentions within 60 days after being received. Madison may not be held responsible for any damages beyond the price of material.

CLAIMS AND DISCREPANCIES

Claims for shortages or pricing discrepancies must be reported to the factory within (30) days after receipt of material.



Brad Wiandt

*President
Madison Electric Products*

Dear Valued Business Partner,

Madison continues to implement exciting changes across its business. Innovation has been the driving force behind these changes. Whether it is a new business tool, a new business process, or a new product, Madison is dedicated to providing the best solutions to our valued customers. Our award winning SPARKS Innovation Center™ has delivered many new, innovative and labor saving product solutions. These products were born in the minds of end users throughout the electrical industry, and therefore, deliver immediate value to the Electrical Wholesale channel.

I am proud to introduce this latest edition of our product catalog, which highlights these new products along with our entire product portfolio. I hope that you find this catalog to be a useful resource. Should you have any suggestions on how we can possibly make this tool, or any aspect of our business, better.....we would love to hear from you!

From all of our dedicated employees to you, I want to thank you for your continued support of Madison Electric Products, Inc.

Best Regards,

A handwritten signature in black ink, appearing to read "Bill White". The signature is fluid and cursive, with a long horizontal stroke extending to the right.



About Madison Electric Products

Madison Electric Products provides over 2,000 field-tested and field-created products developed by electricians for electricians. Headquartered in northeast Ohio, Madison Electric Products boasts a customer service oriented coast-to-coast network of sales reps and distribution centers.

Madison Electric Products is built upon a legacy of product innovation, an ongoing commitment to superior customer service and product quality, and a dynamic and progressive management team that establishes open, one-on-one relationships with company partners, including customers, distributors, manufacturers, and inventors.

HISTORY & LEADERSHIP

Madison Electric Products was founded in Cleveland in 1929 by Earl Atkinson, an electrician and inventor of the Madison Strap, one of the electrical industry's most relied-upon and favorite products. At the helm of Madison Electric Products today is President Brad Wiandt and his team of experienced electrical industry veterans.

OUR BRAND

Madison Electric is revolutionizing the electrical distribution market with new attitudes, new processes, new procedures and new products – growing smartly into a spirited, innovative, inspired organization built on the innovative legacy of its founders and the on-going commitment to deliver the highest quality products to customers in construction related trades, OEM and building maintenance. Over the years, Madison Electric has led the industry with field-tested and field created products developed by electricians for electricians.

Today, Madison Electric enjoys a well-deserved reputation as the innovative source and industry thought leader for product development. Our past is the foundation for our future, where a second to none customer service approach is reflected in everything we do. From the way we deal with our distributors and contractors, to the direct, one-on-one relationships we maintain with our manufacturing partners, we work hard to guarantee success, improved quality and superior performance.





NOW OPEN! New West Coast Distribution Center

Our new facility will enable better fill rates, faster delivery times and better service to customers on the west coast.

In January of 2013, Madison Electric Products opened a 35,000 square-foot distribution center in Rancho Cucamonga, California. Carrying Madison's full product line, this facility is our first distribution center on the west coast.

The addition of a California distribution center is a direct result of west coast sales growth and is part of Madison's ongoing commitment to enhance customer support. The distribution center will primarily serve customers in the western United States, reducing freight costs and shortening delivery times.

“This new distribution center is a testament to Madison’s growth and the additional demand for our innovative products on the west coast,” said Brad Wiandt, president of Madison Electric Products. “The addition of this distribution center allows us to achieve higher fill rates and reduce backorders, continuing Madison’s customer-focused approach to the market.”

Our new west coast distribution center compliments Madison’s existing facility in Bedford Heights, Ohio and is part of a network that includes 16 independent manufacturer rep warehouses. Facility features include wire-guided order pickers, more than 1,800 active pick locations and more than 3,100 overstock locations.



tED best of the best
the ELECTRICAL DISTRIBUTOR
magazine

Innovating the Industry Through Collaboration

Madison won the 2013 tED Best Event Award for hosting the first-ever “Innovation Roundtable” at the Electrical League of Ohio’s 2012 Electro Expo. During the roundtable, 40 forward-thinking manufacturers, distributors, reps, electricians, trade association representatives and media came together to reflect on the electrical industry’s current state, existing challenges, emerging technologies how to work together to overcome obstacles and better the industry as a whole.

Sparking Measureable Results Through Social Media

Combining a company blog and e-newsletter with Facebook, Twitter, LinkedIn and Google+, Madison continues to trace measurable results back to social media. These efforts earned us the 2013 tED Best Event Award for Best Digital/ Social Media Campaign. For the third year in a row, social media fueled an increase in submissions to the Sparks Innovation Center, as well as both new product and overall sales. Madison’s ongoing commitment to social media continues to help drive the company’s reputation as an innovative, forward-thinking electrical product manufacturer.



Madison's Cut-in Snap Lock named to the 2013 EC&M Product of the Year Awards!

Madison's Cut-in Snap Lock has been selected as the Connectors and Fittings (Cable) Category Winner for 2013! EC&M's Product of the Year Awards annually recognize the most valuable products introduced to the electrical market in the previous year. We're thrilled to be included among the 46 Category Winners selected for 2013.



Accolades for Madison's first-of-its-kind approach to product development continue to pour in.

Madison's crowdsourced approach to product development -- the Sparks Innovation Center -- recently received a 2011 "Spike Award" from Kalypso LP in the Manufacturing/ Other category. The Spike Awards celebrate forward-thinking innovation that leverages social strategies, processes and technologies to improve product development.

IDEAS WELCOME

Who knows? Maybe the next great invention will be yours!

You're out in the field every day. You know what works and what doesn't. And we're sure that at some point or another you've said to yourself, "I have a great idea. I could do this better."

If you're looking for a partnership with a company that thrives on product innovation and relationships with electricians just like you, visit our Sparks Innovation Center online. It will take you to a simple questionnaire to get things started on submitting an idea to us.

There's no commitment. While we can't guarantee that your idea will make it to market – let's face it, not every idea will – we can guarantee that we will:

- Respond to you as quickly as possible
- Consider every idea submitted
- Appreciate that you took the time to submit one!

Want to see some of our newest Sparks products in action? The following section shows our new products. Products developed through the Sparks Product Innovation Center are marked by a Sparks symbol in the lower corner of the page.

ME

Innovation that works.



MADISON ELECTRIC PRODUCTS

sparks
PRODUCT INNOVATION CENTER



Learn how to bring your ideas to life at:
www.MEproducts.net/SPARKS





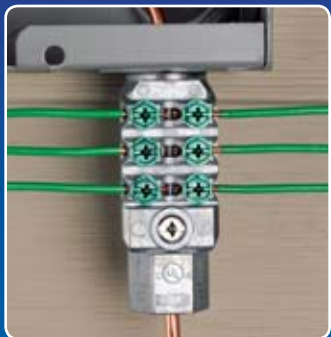
The newest innovation for pulling wire!

In today's high tech world there is a lot of expensive, fragile cable being pulled above drop ceilings. A snag can not only ruin the cable but also the ceiling, creating delays and extra costs. That is all a thing of the past with Madison's new Stingray. Simply remove the ceiling tiles and snap the Stingray into the corner of the grid. That's it! You now have a safe and effective chase to run your cables. When you're finished simply pull the Stingray's tail and slide it off the grid.

- Protects expensive and fragile cables
- Protects ceiling from twisting and marring
- Prevents cables from tangling with the ceiling, saving time and labor
- Smooth interior creates an almost frictionless chase
- Side slit allows for easy cable removal at any time
- Fits 1" standard ceiling grid



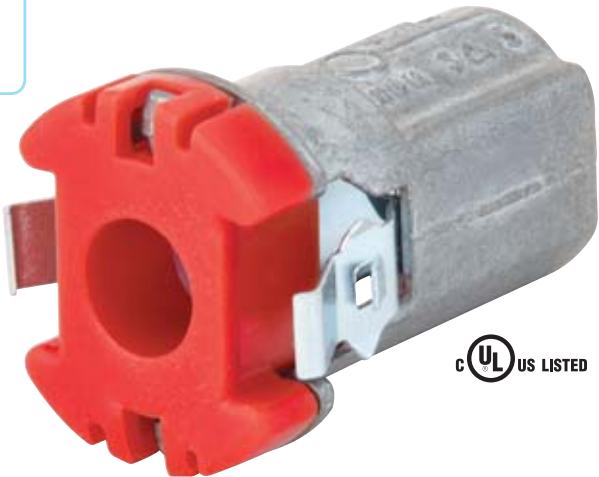
Inline Intersystem Bonding Bridge



Grounding & Bonding at it's best!

Madison's done it again! Our new Inline Intersystem Bonding Bridge will change the way you bond your intersystem bonding conductors. It provides a dependable method for grounding and bonding for electrical systems. Typical applications include communications, solar, cable, and transmission lines. When used with conduit, it provides protection against damage and theft of the main ground.

- Designed for indoor and outdoor use
- Incorporates six (6) terminating points (2x the amount required by the NEC)
- Main ground conductor is isolated from communications lines
- Easy installation
- Eliminates creating holes in building that could allow ingress of water
- Mounts to enclosures, conduit bodies, and inline with conduit
- Gangable



UL US LISTED

Cut-in Snap Lock



Introducing the latest innovation in electrical fittings, the **Cut-in Snap Lock MC connector.**

Our Cut-in Snap Lock provides significant labor savings when connecting metal clad or armored cable in old work (cut-in) electrical box installations. No tools are required when assembling to the cable or box. After installing the old-work box in the wall and fishing the cable through the box, simply snap the cable into the fitting and snap the fitting into the box. The Cut-In Snap Lock MC Connector is also easily removed without tools and it is reusable.

- Faster installation
- No tools required
- One piece design
- Robust, pre-assembled bushing
- Easy removal & reusable
- Fits 1/2" knockout
- cULus Listed



c  US LISTED

Double Snap Lock

Introducing the latest innovation in electrical fittings, the Double Snap Lock MC connector.

It provides significant labor savings when installing metal clad or armored cable to steel boxes or enclosures. No tools are required when assembling to the cable or the box. Simply snap the cable to the fitting and snap the fitting into the box. The Double Snap Lock can be easily removed without tools and is reusable. Patent pending.

- Faster installation
- No tools required
- One piece, square grip design
- Robust, pre-assembled bushing
- Easy removal
- Reusable
- Fits 1/2" knockout
- cULus Listed

Pg. 6



SmartTools

LADDER HORSE

new & exclusive



Ladder Horse is a universal tool.

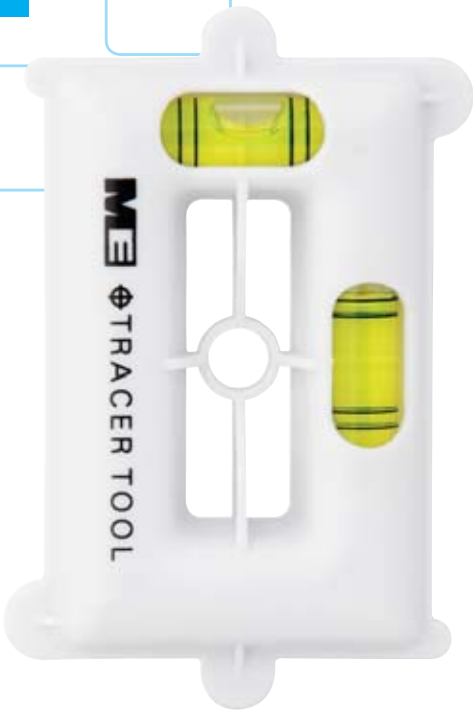
Similar to a machinist v-block, use the Ladder Horse for supporting, cutting, trimming and sawing. It works anywhere your ladder works.

Unlike a sawhorse, the Ladder Horse requires no unfolding, no assembly, and no bulky storage. Save your back! No more bending over. Place the Ladder Horse on the support across the back of your ladder to stand up and cut.

Cut EMT, Rigid, PVC and even threaded rod. Increase your safety by letting Ladder Horse do the work. It can support fixtures while you get your footing. While standing up, cut drywall, and similar materials upright, using a T-square for a nice straight edge.

- Solid aluminum construction
- Marked measurements
- Works with most step ladders

sparks



SmartTools
⊕ TRACER TOOL

new & exclusive



Work smarter with Smart Tools!

The Tracer Tool accurately and easily traces 2" x 3" metal old work box outlines on surfaces for proper installation in walls, centering the box to match any existing. Integrated vertical and horizontal levels and center point location mark allow for quick and easy placement of the tracer.

Made of durable plastic, the Tracer Tool has a rubber backing for turning ease and pliability to surfaces when tracing. Small and easy to use, it works both vertically and horizontally with bull's eye accuracy. Patent pending.

- Bull's eye accuracy
- Works vertically and horizontally
- Durable plastic with rubber backing
- Saves time and labor

sparks



Pg. 5

SmartTools

○ HOLLOW SHANK

new & exclusive



Available in 3 Lengths:
3" Perfect for Nuts & Bolts
6" Perfect for Anchors
12" Perfect for Threaded Rod

Work smarter with Smart Tools!

The 9/16" Hollow Shanx Power Nut Driver fits 3/8" SAE Nuts, Bolts, Anchors and Threaded Rod! Attached to a drill, it is ten times easier and ten times faster than using your fingers. Hollow Shanx have a hollow shank that permits the nut to be driven down a long threaded rod to the limit of this shank. Each shank is hollow to the maximum depth permitted by the construction of the tool, not just part way. The Hollow Shanx has a collet drive shank (very common) to permit its use in a collet drive chuck. Available in 3 lengths, 3", 6" and 12", Hollow Shanx are a one piece tool so the parts cannot be separated and lost. Patent pending.

- Saves time and labor
- Shank is hollow to the maximum depth
- Fits all common conventional drill chucks
- One piece tool means no missing parts



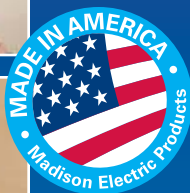
ME

Pg. 4



SmartTools

POWER PULL-IT



The powerful new way to pull wire without breaking a sweat!

Power Pull-it is a compact and portable wire pulling device that utilizes your cordless drill to efficiently pull wire, and dramatically reduce hand-pulling fatigue and injuries. Just attach the pull line to your drill, and let it do all the work for you. Made in the USA, Power Pull-it's sturdy construction includes a precision bearing assembly, and requires no anchors. It's the fast, easy way to pull wire, while saving on labor costs, and reducing pulling fatigue, and hand injuries. Includes a spare line sleeve and tool pouch.

- Saves on labor costs
- Reduces pulling fatigue and hand injuries
- Precision bearing assembly
- Sturdy construction
- No anchors required

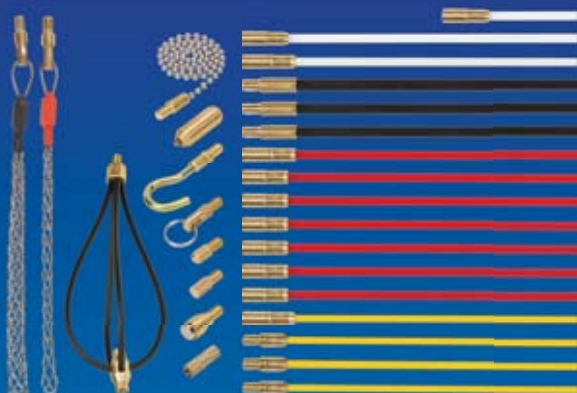


Pg. 6-11



SmartTools

 SUPER ROD



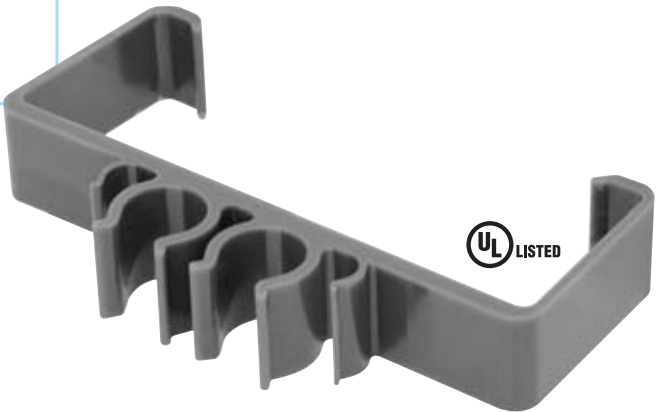
True innovation designed by you.

The real innovation behind Super Rod products is that they don't just route cable. These are multi-purpose tools that allow installers to inspect, illuminate and retrieve with a range of unique time saving attachments.

In 2009 alone, the Super Rod system saved a massive 9 million hours to the electrical industry, worth over \$650,000,000. Surveys have proven that the payback time for investing in a Super Rod set is very often after just one job, reinforcing the fact that anyone who uses cable should be using Super Rod!

- Adoxim material eliminates splinters
- Many attachments available
- All pieces are interchangeable

Pg. 144



CLIP^{it}™



**It's that fast.
It's that easy!**

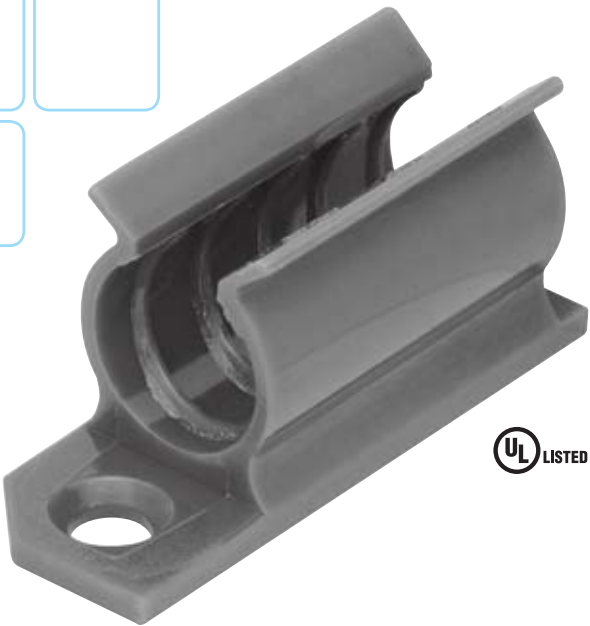
Now supports **MC/AC**
and low voltage cable

Keep those pliers in your pocket!

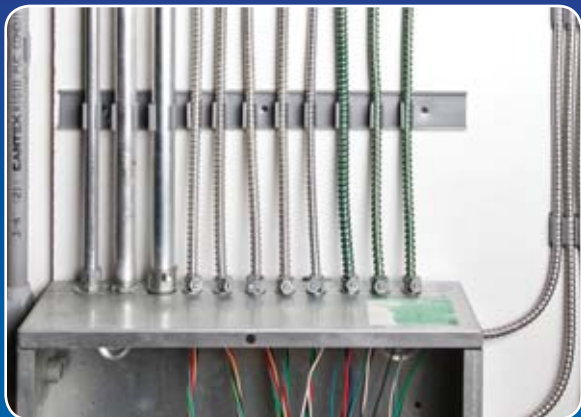
Madison Electric Products' Clip-it™ makes installing MC Cable a snap. No more reaching for tools to secure your cable. Madison Electric Products makes it fast and easy. Our patented rifled polycarbonate design will hold MC or armored cable 12/2 through 10/3, eliminating the unsightly sagging you get with other supports. The Clip-it MC products are made from durable hi-impact polycarbonate, and can be used universally. Clip-it meets NEC 2008 code for plenum ratings, and tested tough enough to be used in environments -30°F thru 250° F.

- Withstands harsh environments -30°F - 250°F
- Fits MC/AC cable 12/2 thru 10/3
- Sturdy polycarbonate

Pg. 144



CLIP^{it}™



Simplify with Clip-it Channel Strips.

Until now there has never been an MC support so fast, so versatile, so compact and so easy to use. The Clip-it Channel Strip system gives your electrician the ability to use MC Cable and have the finished product they can be proud of. Simply snap the MC Clip into the Channel Strip and snap your cables in place. It's that fast and that simple. Channel Strip comes in standard 20 inch lengths and can be cut to your required size. With only three screws, you have the flexibility to support up to 20 cables at a time

- Sturdy polycarbonate
- Withstands harsh environments -30°F - 250°F
- Fits MC/AC cable 12/2 thru 10/3
- Fits 1/2" thru 1" PVC, Rigid and EMT
- Environmentally friendly
- UL listed

Pg. 176



SmartBoxTM

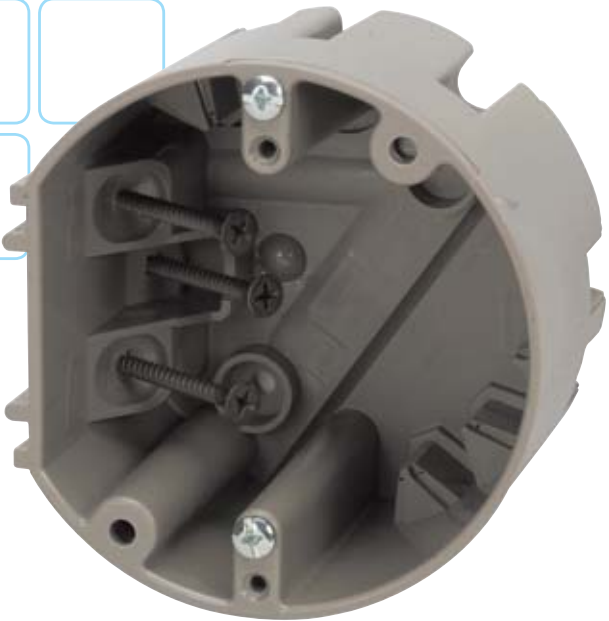


Designed with the electrician in mind.

The Original Smart Boxes are unmatched in versatility in new work locations where you cannot swing a hammer, or where final wall surfaces are uncertain, like kitchens and baths. They are unmatched in old or retrofit work applications because they are always mounted to a stud. Before Smart Box, all other manufacturers hung their old work boxes on flimsy 3/8 or 1/2 sheet rock, or even worse lathe and plaster. Our Original Smart Boxes are unmatched in adjustability, as they are molded entirely of 1 piece with no moving parts to break or lose.

- Available in 1, 2, 3 & 4 gang, and horizontal
- Step down feature allows for wire entrance in both top and bottom of box
- Heavy duty 42 lb. mounting screws supplied
- Mounts to wood or metal stud 25g
- All 6/32 device holes are threaded
- Extra thick PVC wall material creates stability and rigidity
- Built in wire clamps

Pg. 176



SmartBoxTM



Unique design & unmatched versatility

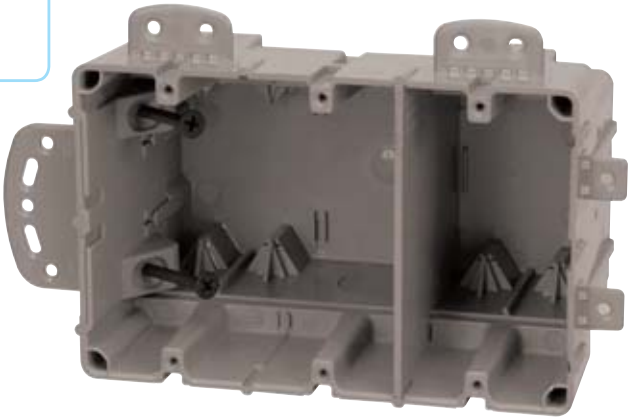
The light fixture Smart Box is a unique ceiling box with a UL listed rating for 50 lb. light fixture support. This ceiling box is extra deep for mounting all smoke and carbon monoxide detectors.

- Quicker to install than a nail on box
- Easily upgraded to a MSBFAN product
- Extra thick wall material for stability

Add a cold rolled steel L-Bracket to this Smart Box and you now have a UL listed 50 lb. paddle fan support box and a 75 lb. light fixture support box that works for all kinds of job situations.

- Heavy duty design for support of moving loads
- Extra deep for paddle fan components
- Locking nuts for secure paddle fan attachment

Pg. 177



SmartBoxTM

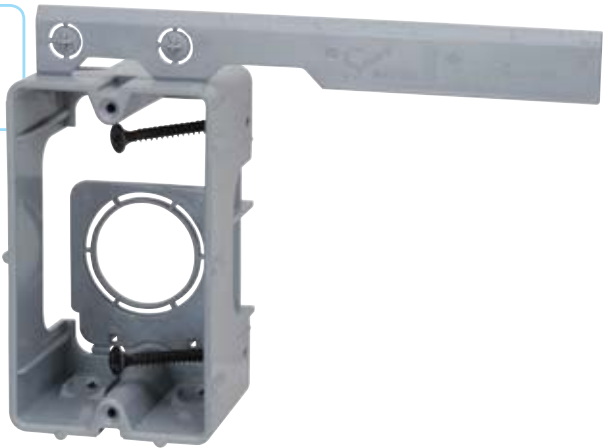


An even more user friendly device box.

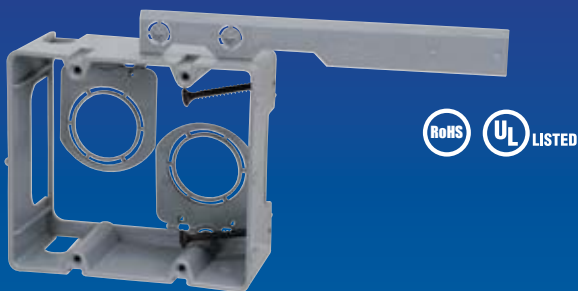
The new 2-6 gang Multi-Mount device boxes are a hybrid of the Original Smart Boxes. These boxes offer additional built in features such as removable nail tabs used for metal stud mounting, removable interior mounting blocks to allow for more cubic inch in the box, built in mounting blocks on the top end of the box for vertical mounting, 1/2 inch knock outs for blue tube or PVC conduit connections, and finally low voltage wall dividers to allow for mixed voltages in the same box.

- Available in 2, 3, 4, 5 and 6 gang
- Largest volume offered in device boxes
- Heavy duty mounting screws supplied
- Vertical and horizontal mounting
- UL approved for single screw mounting (extra support bar not required)
- Use for flat screen TV applications and home theatre centers
- Extra thick wall material creates stability and rigidity

Pg. 177



SmartBoxTM



Box alignment made easier.

The 1 and 2 gang low voltage data Smart Boxes offer a unique leveling feature to help electricians align the data box to an existing electrical box. These data boxes also incorporate a 3/4" to 1" snap out conduit adapter. The adapter swings on a hinge in an outwardly direction to a 90 degree locking position in either a vertical or horizontal direction. The 2 gang data box features 2 of these conduit adapters providing feed through wiring. As with the entire Smart Box line, low voltage data boxes are well suited for new and old work with adjustable depth capacity.

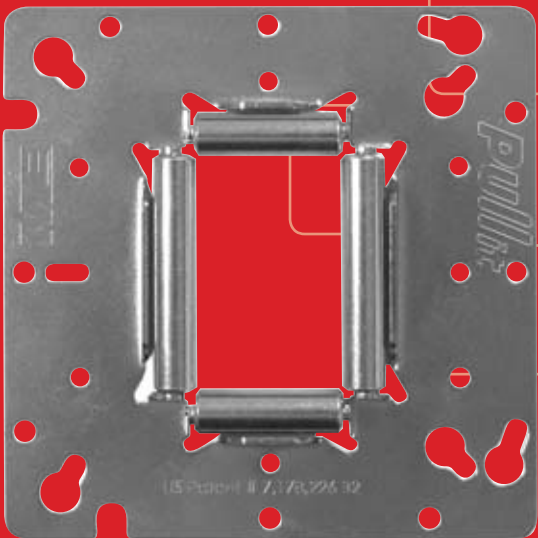
- Available in 1 and 2 gang
- Leveling tab feature allows for easy alignment to adjacent box
- Heavy duty 42 lb. mounting screws supplied
- Mounts to wood or metal stud 25g
- Same box mounts in a horizontal or vertical position
- All 6/32 device holes are threaded
- Use where TV and computer locations are suited

2

tools



From some of the most innovative tools to everyday basics, Madison has it. These are the tools electricians need. In fact, many of these products were invented by electricians through our Sparks Product Innovation Center. With some classics mixed in, our tools are the right tools for your job. Take a look for yourself and see how much easier and more efficient our line up of tools can make your jobsite.



NEW

SMART TOOLS STINGRAY CEILING GRID WIRE PULLING DEVICE



Creates a smooth chase for pulling wire through drop ceiling grid

Material: Plastic

Features: Protects expensive and fragile cables. Protects ceiling from twisting and marring. Prevents cables from tangling with the ceiling, saving time and labor. Smooth interior creates an almost frictionless chase. Side slit allows for easy cable removal at any time.

Notes: Fits 1" standard ceiling grid

ITEM#	PACKING	INNER QTY	MASTER QTY
MERAY	INDIVIDUAL PEGGED	10	40

SMART TOOLS PULL-IT WIRE PULLING DEVICE

Provides an efficient way to pull wire through electrical boxes



Material: Steel

Features: Fits all standard outlet boxes. Durable construction. Built-in rollers make wire pulling easy. Eliminates restarts, no more scuffed wires. Saves on labor costs.

ITEM#	PACKING	INNER QTY	MASTER QTY
104	INDIVIDUAL PEGGED	10	40

**ME
EXCLUSIVE**

SMART TOOLS POWER PULL-IT



Utilizes a cordless drill to pull wire quickly and efficiently

Material: Steel-Anodized Aluminum, PVC

Features: Saves on labor costs. Precision bearing assembly. Sturdy construction. No anchors required. Reduces pulling fatigue and hand injuries. Includes a spare line sleeve and tool pouch.

Notes: Individual peggable box. Master of 6 ships in a counter display.

ITEM#	INNER QTY	MASTER QTY
MWP	1	6

NEW SMART TOOLS TRACER TOOL



Metal old work box tracer

Material: Plastic with Rubber Backing

Features: Integrated vertical and horizontal levels and center point location mark allow for quick and easy placement of the tracer. Saves time and labor. Bull's eye accuracy. Works vertically and horizontally. Designed and invented by an electrician.

Notes: Individual peggable cards in tray pack counter display.

ITEM#	PACKING	INNER QTY	MASTER QTY
MSBTRAC1	10 PK COUNTER DISPLAY	N/A	10

NEW SMART TOOLS HOLLOW SHANX



Nut drivers

Material: Steel

Features: Fits 3/8" SAE nuts, bolts, anchors and threaded rod. Saves time and labor. Shanks are hollow to the maximum depth.

Fits all common conventional drill chucks.

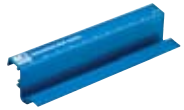
One piece tool means no missing parts.

Notes: MSBHW-D displayer includes 6 of each size shank

ITEM#	TRADE SIZE	LENGTH	INNER QTY	MASTER QTY
MSBHW3	9/16"	3"	6	36
MSBHW6	9/16"	6"	6	36
MSBHW12	9/16"	12"	6	36
MSBHW-D	9/16"	3", 6", 12"	N/A	1



SMART TOOLS LADDER HORSE



For supporting, cutting, trimming and sawing

Material: Anodized Aluminum

Features: Requires no unfolding, no assembly, and no bulky storage. No more bending over. Place the Ladder Horse on the support across the back of your ladder to stand up and cut. Cut EMT, Rigid, PVC and even threaded rod. Marked measurements help you cut the proper length for your needs. It can support fixtures while you get your footing. While standing up, cut drywall, and similar materials upright, using a t-square for a nice straight edge. Works with most stepladders.

Notes: Individual peggable box. Master of 6 ships in a counter display.

ITEM#	INNER QTY	MASTER QTY
MLH	1	6



SUPER ROD® MEGA SET

For routing cable, retrieving, illuminating & gripping



Material: Adoxim 5® Over Core

Glass Fiber Rods, Brass Connectors

Features: With over 52ft (16m) of rods, giving you 4 different flexibilities, it's no wonder this is our most popular kit. This combined with our extensive range of attachments, makes this the must have kit for anyone working with cable. Adoxim construction eliminates splinters common with fiberglass rods.

Contents:

- 6 - 5mm Red Adoxim 3ft Rods
- 3 - 4mm Yellow Adoxim 3ft Rods
- 3 - 6mm Black Adoxim 3ft Rods
- 1 - 5mm Nylon 3ft Rod
- 1 - 5mm Glo Adoxim Swivel 3ft Rod
- 1 - 5mm Red Adoxim Swivel 3ft Rod
- 1 - 4mm Yellow Adoxim Swivel 3ft Rod
- 2 - Super Grips (1/4" - 3/8" & 7/16" - 9/16" Diameters)
- Flexi Lead
 - Shape It Flexi Lead
- Chain
 - Super Magnet
- Super Beam
 - Mini Eye & Ring
- Gender Changer
 - Domed Bullet
- Flat Bullet
 - Tuff Hook
- Glider

ITEM#	LENGTH	INNER QTY	MASTER QTY
MSRMX	52 ft	1	16



**SUPER ROD®
DELUXE SET**



For routing cable, retrieving, & illuminating

Material: Adoxim 5® Over Core Glass
Fiber Rods, Brass Connectors

Features: With over 32ft (10m) of length, the Deluxe Set gives you 3 different flexibility choices. This slimmed down version of the Mega Set still offers an excellent range of functionality.

Contents:

- 6x 5mm Red Adoxim 3ft Rods
- 2x 4mm Yellow Adoxim 3ft Rods
- 2x 6mm Black Adoxim 3ft Rods
- Flexi Lead
- Super Beam
- Gender Changer
- Domed Bullet
- Super Magnet
- Mini Eye & Ring
- Tuff Hook
- Flat Bullet

ITEM#	LENGTH	INNER QTY	MASTER QTY
MSRSD	32 ft	1	16



**SUPER ROD®
STANDARD SET**



For routing cable

Material: Adoxim 5® Over Core Glass Fiber Rods,
Brass Connectors

Features: With over 16ft (5m) of length, the Standard Set gives you 2 different flexibility choices. An ideal starter set.

Contents:

- 4 - 5mm Red Adoxim 3ft Rods
- 1 - 4mm Yellow Adoxim 3ft Rod
- Flexi Lead
- Gender Changer
- Tuff Hook
- Mini Eye & Ring
- Domed Bullet

ITEM#	LENGTH	INNER QTY	MASTER QTY
MSRSS	16 ft	1	16



SUPER ROD® SIDEKICK



Smaller kit for routing cable

Material: Adoxim 5® Over Core Glass

Fiber Rods, Brass Connectors

Features: This miniature set of rods, only 1.5ft in length, offers the ideal solution when working in a confined area. Compatible with any Super Rod attachment. Ideal set when space is restricted. They easily fit into your tool bag as well!

Contents:

- 2x 5mm Red Adoxim 1.5ft Rods
- 4mm Yellow Adoxim 1.5ft Rod
- 6mm Black Adoxim 1.5ft Rod
- 5mm Nylon 1.5ft Rod
- Mini Eye & Ring
- Domed Bullet
- Mini Hook

ITEM#	LENGTH	INNER QTY	MASTER QTY
MSRTB	7.5 ft	1	20



SUPER ROD® POLYMER SET



Ideal for routing cable when working with sensitive materials and components

Material: Polymer Resin

Features: This shortened set of rods is ideal when working in confined areas. Contains a range of all Polymer Glo-in-the-Dark attachments. Ideal when working with sensitive materials and components, and in data cabinets. Easily fits in your toolbox.

Contents:

- Red Round 1ft Rod
- Black Round 1ft Rod
- Domed Bullet
- Grapple Hook
- Round Mini Eye
- Red Flat 1ft Rod
- Glo-in-the-Dark 1ft Rod
- Mini Hook
- Flat Mini Eye

ITEM#	LENGTH	INNER QTY	MASTER QTY
MSRPRS	4.2 ft	1	20



**SUPER ROD®
TELESCOPIC POLE**



Extendable pole for working at height, across loft spaces, and under floors

Material: Insulated Glass Fiber with Polyester Resin Coating

Features: Our Telescopic Pole extends to over 18ft (5.6m) in seconds. The pole comes complete with a versatile platform which allows up to three Super Rod attachments to be used at any one time. Ultra lightweight for better control.

ITEM#	LENGTH	INNER QTY	MASTER QTY
MSRTP	18 ft	1	20



**SUPER ROD®
GLIDERS**



Allows rods to navigate even the most hostile terrain without digging into loft insulation or getting caught on joists and debris

Material: HDSM2 Stay Put Memory Material, Brass Connectors

Features: The Super Grips and Super Beam can be attached to the Glider, increasing the functionality of the product even more! Compatible with other Super Rod attachments.

ITEM#	LENGTH	INNER QTY	MASTER QTY
MSRGLIDER	6.7"	1	20
MSRGLIDERX2	13.2"	1	10



**SUPER ROD®
SUPER FLEXI MAGNET**



Retrieves wire and tools in hard to reach places

Material: Mild Steel D-section Wire, Brass Connectors

Features: The Super Flexi Magnet gives additional functionality to our kits. The powerful magnet is strong enough to pick up 5lbs, making it a great tool for all types of retrieval.

ITEM#	LENGTH	INNER QTY	MASTER QTY
MSFDM	6 in + SUPER MAGNET	1	20



SUPER ROD® SUPER FLEXI BEAM

Illuminates hard to reach places

Material: Mild Steel D-section Wire, Brass Connectors

Features: When illumination is required in an awkward situation, you'll find this attachment a real time saver. Ideal for lighting up difficult to view areas and inspecting confined spaces such as cavity walls and under floorboards. Replacement batteries available.



ITEM#	LENGTH	INNER QTY	MASTER QTY
MSRFSB	6" + SUPER BEAM	1	20



SUPER ROD® INSPECTION MIRROR

Allows for viewing of hard to see areas

Material: Mild Steel D-section Wire, Brass Connectors, Mirrors

Features: The simplest of ideas, 2 different mirrors can attach to your rods to allow you to see areas typically blocked from view.

Contents:

- Round Mirror
- Rectangular Mirror
- 6in. Steel Flexi Material



ITEM#	LENGTH	INNER QTY	MASTER QTY
MSRMK	6" + MIRROR	1	20



**SUPER ROD®
SUPER GRIPS**



Quick method of attaching your cables to the rods

Material: Stainless Steel

Features: Available in 5 sizes covering a wide selection of popular cable and wire. Quick and easy to use. Ideal for use through small and narrow access holes.

SINGLE PACKS

ITEM#		CABLE DIA. RANGE	INNER QTY	MASTER QTY
MSRSK 04-06	○	3/16" - 1/4"	1	20
MSRSK 06-10	●	1/4" - 3/8"	1	20
MSRSK 11-15	●	7/16" - 9/16"	1	20
MSRSK 16-22	●	9/16" - 7/8"	1	20
MSRSK 23-30	●	7/8" - 1-3/16"	1	20

MULTI-PACKS

ITEM#		CABLE DIA. RANGE	INNER QTY	MASTER QTY
MSRSK 04-15		3/16" - 9/16"	1	20
MSRSK 06-15		1/4" - 9/16"	1	20
MSRSK 16-30		9/16" - 1-3/16"	1	20
MSRSK 04-30		3/16" - 1-3/16"	1	20

WIRE PULLING COMPOUND

Eliminates drag and friction when pulling wire



Features: High lubricity

ITEM#	TRADE SIZE	INNER QTY	MASTER QTY
YR-100	GALLON	N/A	4

CONDUIT BENDERS WITH HANDLE

Manual bender for EMT and Rigid conduit



Material: Aluminum Alloy

Features: Built in level

ITEM#	EMT TRADE SIZE	RIGID TRADE SIZE	INNER QTY	MASTER QTY
EL-1	1/2"	-	N/A	1
EL-2	3/4"	1/2"	N/A	1

WIRE STRIPPERS & CUTTERS

Strips and cuts insulated wire #22 - #10

Material: Hardened and Tempered Steel
Blades, Plastic Coated Handles

Features: Adjustable stop screw



ITEM#	PACKING	INNER QTY	MASTER QTY
100-IC	BAGGED	12	60

STANDARD WIRE STRIPPERS & CUTTERS

Strips and cuts insulated wire #22 - #10

Material: Hardened and Tempered Steel
Blades, Plastic Coated Handles

Features: Stop screw adjusts to fit wire size. Spring allows for repetitive functions. Closing lock function.



ITEM#	PACKING	INNER QTY	MASTER QTY
101S-IC	BAGGED	12	60

ROTARY CAM WIRE STRIPPERS & CUTTERS

Strips and cuts insulated wire #22 - #10

Material: Hardened and Tempered Steel
Blades, Plastic Coated Handles

Features: Cam adjusts to fit wire size. Spring allows for repetitive functions. Closing lock function.



ITEM#	PACKING	INNER QTY	MASTER QTY
103S-B	BULK	12	60



The newest innovation for pulling wire!

In today's high tech world there is a lot of expensive, fragile cable being pulled above drop ceilings. A snag can not only ruin the cable but also the ceiling, creating delays and extra costs. That is all a thing of the past with Madison's new Stingray. Simply remove the ceiling tiles and snap the Stingray into the corner of grid. That's it! You now have a safe and effective chase to run your cables. When you're finished simply pull the Stingray's tail and slide it off the grid.

- Protects expensive and fragile cables
- Protects ceiling from twisting and marring
- Prevents cables from tangling with the ceiling, saving time and labor
- Smooth interior creates an almost frictionless chase
- Side slit allows for easy cable removal at any time
- Fits 1" standard ceiling grid

14

rigid & imc conduit fittings



Our Rigid and IMC fittings are made with the highest quality materials so you get a perfect fit each and every time. Quality threads insure easy installation, no more threading problems. Available in die cast and malleable, you have a choice with Madison. All of our Rigid and IMC fittings are UL listed so you can be sure that you are getting the very best every time you open a box of Madison Rigid and IMC fittings.

ME



MEproducts.net

RIGID SET SCREW BOX CONNECTORS - MALLEABLE

Connects threadless Rigid/IMC to box or enclosure

Material: Malleable Iron

Certifications: UL Listed

Features: Concrete-tight when taped



STANDARD				INSULATED THROAT			
ITEM#	TRADE SIZE	INNER QTY	MSTR. QTY	ITEM#	TRADE SIZE	INNER QTY	MSTR. QTY
MSNT-2750	1/2"	20	100	MSNT-2750-B	1/2"	20	100
MSNT-2751	3/4"	25	100	MSNT-2751-B	3/4"	25	100
MSNT-2752	1"	5	25	MSNT-2752-B	1"	5	25
MSNT-2753	1-1/4"	5	25	MSNT-2753-B	1-1/4"	5	25
MSNT-2754	1-1/2"	2	10	MSNT-2754-B	1-1/2"	2	10
MSNT-2755	2"	N/A	5	MSNT-2755-B	2"	N/A	5

RIGID SET SCREW COUPLINGS - MALLEABLE

Connects two lengths of threadless Rigid/IMC

Material: Malleable Iron

Certifications: UL Listed

Features: Concrete-tight when taped



ITEM#	TRADE SIZE	INNER QTY	MSTR. QTY	ITEM#	TRADE SIZE	INNER QTY	MSTR. QTY
MSNT-2760	1/2"	20	100	MSNT-2763	1-1/4"	5	25
MSNT-2761	3/4"	25	100	MSNT-2764	1-1/2"	2	10
MSNT-2762	1"	5	25	MSNT-2765	2"	N/A	5

RIGID COMPRESSION BOX CONNECTORS - NO THREAD MALLEABLE



Connects threadless Rigid/IMC to box or enclosure

Material: Malleable Iron, Zinc-plated

Certifications: UL Listed, Federal Spec. W-F-408E, NEMA FB-1

Features: Concrete-tight

STANDARD				INSULATED THROAT			
ITEM#	TRADE SIZE	INNER QTY	MSTR. QTY	ITEM#	TRADE SIZE	INNER QTY	MSTR. QTY
MNT-2750	1/2"	20	100	MNT-2750-B	1/2"	20	100
MNT-2751	3/4"	25	100	MNT-2751-B	3/4"	25	100
MNT-2752	1"	5	25	MNT-2752-B	1"	5	25
MNT-2753	1-1/4"	5	25	MNT-2753-B	1-1/4"	5	25
MNT-2754	1-1/2"	2	10	MNT-2754-B	1-1/2"	2	10
MNT-2755	2"	N/A	5	MNT-2755-B	2"	N/A	5
MNT-2756	2-1/2"	N/A	5	MNT-2756-B	2-1/2"	N/A	5
MNT-2757	3"	N/A	3	MNT-2757-B	3"	N/A	3
MNT-2758	3-1/2"	N/A	2	MNT-2758-B	3-1/2"	N/A	2
MNT-2759	4"	N/A	2	MNT-2759-B	4"	N/A	2

RIGID COMPRESSION COUPLINGS - NO THREAD MALLEABLE



Connects two pieces of threadless Rigid/IMC conduit

Material: Malleable Iron, Zinc-plated

Certifications: UL Listed, Federal Spec. W-F-408E, NEMA FB-1

Features: Concrete-tight

ITEM#	TRADE SIZE	INNER QTY	MSTR. QTY	ITEM#	TRADE SIZE	INNER QTY	MSTR. QTY
MNT-2760	1/2"	20	100	MNT-2765	2"	N/A	5
MNT-2761	3/4"	25	100	MNT-2766	2-1/2"	N/A	5
MNT-2762	1"	5	25	MNT-2767	3"	N/A	3
MNT-2763	1-1/4"	5	25	MNT-2768	3-1/2"	N/A	2
MNT-2764	1-1/2"	2	10	MNT-2769	4"	N/A	2

SET SCREW COMBINATION COUPLINGS EMT TO RIGID

Connects EMT conduit to threadless Rigid/IMC conduit

Material: Steel, Zinc Plated

Certifications: UL Listed, NEMA FB-1

Features: Concrete-tight when taped



ITEM#	TRADE SIZE	INNER QTY	MASTER QTY
MERSS-50	1/2"	20	100
MERSS-75	3/4"	20	100
MERSS-100	1"	10	50

COMBINATION COMPRESSION COUPLINGS - EMT TO RIGID

Connects EMT conduit to threaded Rigid/IMC conduit

Material: Steel

Certifications: UL Listed, NEMA FB-1

Features: Concrete-tight



ITEM#	TRADE SIZE	INNER QTY	MASTER QTY
MERC-50	1/2"	20	100
MERC-75	3/4"	20	100
MERC-100	1"	10	50

COMBINATION COMPRESSION COUPLING RIGID TO LIQUID-TIGHT

Connects Rigid/IMC conduit to liquid-tight flexible metal conduit

Material: Steel

Certifications: UL Listed

Features: Reusable ferrule



ITEM#	TRADE SIZE	INNER QTY	MASTER QTY
MLT-NT-50	1/2"	25	100

RIGID 3-PIECE COUPLINGS

Connects two pieces of Rigid/IMC conduit when conduit cannot be turned

Material: Machined Steel
Certifications: UL Listed
Features: Rated liquid-tight



ITEM#	TRADE SIZE	INNER QTY	MASTER QTY
MER-50	1/2"	20	100
MER-75	3/4"	20	100

RIGID 3-PIECE COUPLINGS MALLEABLE

Connects two pieces of Rigid/IMC conduit when conduit cannot be turned

Material: Malleable Iron, Zinc Plated
Certifications: UL Listed, NEMA FB-1
Features: Concrete-tight



ITEM#	TRADE SIZE	INNER QTY	MSTR. QTY	ITEM#	TRADE SIZE	INNER QTY	MSTR. QTY
L-500	1/2"	10	100	L-506	2-1/2"	2	10
L-501	3/4"	5	50	L-507	3"	N/A	5
L-502	1"	5	50	L-508	3-1/2"	N/A	1
L-503	1-1/4"	5	25	L-509	4"	N/A	1
L-504	1-1/2"	5	25	L-510	5"	N/A	1
L-505	2"	2	10	L-511	6"	N/A	1

RIGID PULL ELBOWS RIGID TO RIGID

Connects threaded Rigid/IMC conduit for a 90° bend

Material: Zinc Die-cast

Certifications: UL Listed

Features: Removable aluminum cover for wire pulling



STANDARD				NEOPRENE GASKET			
ITEM#	TRADE SIZE	INNER QTY	MSTR. QTY	ITEM#	TRADE SIZE	INNER QTY	MSTR. QTY
L-141-1	1/2"	10	100	LG-141-1	1/2"	10	100
L-141-2	3/4"	5	50	LG-141-2	3/4"	5	50
				LG-141-3	1"	N/A	25
				LG-141-4	1-1/4"	N/A	20

RIGID PULL ELBOWS RIGID TO BOX

Connects threaded Rigid/IMC conduit to box or enclosure for a 90° bend

Material: Zinc Die-cast

Certifications: UL Listed

Features: Removable aluminum cover for wire pulling



STANDARD				NEOPRENE GASKET			
ITEM#	TRADE SIZE	INNER QTY	MSTR. QTY	ITEM#	TRADE SIZE	INNER QTY	MSTR. QTY
L-142-1	1/2"	10	100	LG-142-1	1/2"	10	100
L-142-2	3/4"	5	50	LG-142-2	3/4"	5	50

MALLEABLE PULL ELBOWS RIGID TO RIGID

Connects threaded Rigid/IMC conduit for a 90° bend

Material: Malleable Iron, Neoprene Gasket, Zinc Plated Steel Cover

Certifications: UL Listed, NEMA FB-1

Features: Removable steel cover for wire pulling



ITEM#	TRADE SIZE	INNER QTY	MSTR. QTY	ITEM#	TRADE SIZE	INNER QTY	MSTR. QTY
ML-141-1	1/2"	10	100	ML-141-4	1-1/4"	N/A	10
ML-141-2	3/4"	5	50	ML-141-5	1-1/2"	N/A	5
ML-141-3	1"	N/A	25	ML-141-6	2"	N/A	5

MALLEABLE PULL ELBOWS RIGID TO BOX

Connects threaded Rigid/IMC conduit to box or enclosure for a 90° bend

Material: Malleable Iron, Zinc Plated Steel
Cover, Neoprene Gasket

Certifications: UL Listed, NEMA FB-1

Features: Removable steel cover for wire pulling



ITEM#	TRADE SIZE	INNER QTY	MSTR. QTY	ITEM#	TRADE SIZE	INNER QTY	MSTR. QTY
ML-142-1	1/2"	10	100	ML-142-4	1-1/4"	N/A	10
ML-142-2	3/4"	5	50	ML-142-5	1-1/2"	N/A	5
ML-142-3	1"	N/A	25	ML-142-6	2"	N/A	5

EMT/RIGID COMBINATION PULL ELBOWS EMT/RIGID TO BOX

Connects EMT or Rigid/IMC conduit to box or enclosure

Material: Zinc Die-cast

Certifications: UL Listed

Features: Neoprene gasket. Threaded interior for use with Rigid/IMC conduit. Set screws for use with EMT conduit.



ITEM#	TRADE SIZE	INNER QTY	MASTER QTY
LG-143-1-CB	1/2"	10	100
LG-143-2-CB	3/4"	5	50

EMT/RIGID COMBINATION PULL ELBOWS EMT/RIGID TO EMT/RIGID

Connects 2 lengths of EMT or Rigid/IMC conduit for a 90° bend

Material: Zinc Die-cast

Certifications: UL Listed

Features: Neoprene gasket. Threaded interior for use with Rigid/IMC conduit. Set screws for use with EMT conduit.



ITEM#	TRADE SIZE	INNER QTY	MASTER QTY
LG-144-1-CB	1/2"	10	100
LG-144-2-CB	3/4"	5	50

RIGID SPEED NIPPLES ZINC

Serves as a short raceway between enclosures when used with a locknut

Material: Zinc Die-Cast

Certifications: UL Listed



STANDARD				INSULATED THROAT			
ITEM#	TRADE SIZE	INNER QTY	MSTR. QTY	ITEM#	TRADE SIZE	INNER QTY	MSTR. QTY
L-701	1/2"	100	1000	IL-701	1/2"	100	1000
L-702	3/4"	50	500	IL-702	3/4"	50	500
L-703	1"	25	250	IL-703	1"	25	250
L-704	1-1/4"	25	250	IL-704	1-1/4"	25	250
L-705	1-1/2"	25	100	IL-705	1-1/2"	25	100
L-706	2"	10	40	IL-706	2"	10	40
L-707	2-1/2"	10	40	IL-707	2-1/2"	10	40
L-708	3"	10	40	IL-708	3"	10	40
L-709	3-1/2"	10	40	IL-709	3-1/2"	10	40
L-710	4"	5	20	IL-710	4"	5	20

RIGID SPEED NIPPLES MALLEABLE

Serves as a short raceway between enclosures when used with a locknut

Material: Malleable Iron, Zinc Plated

Certifications: UL Listed, NEMA FB-1



STANDARD				INSULATED THROAT			
ITEM#	TRADE SIZE	INNER QTY	MSTR. QTY	ITEM#	TRADE SIZE	INNER QTY	MSTR. QTY
ML-701	1/2"	100	500	IML-701	1/2"	100	500
ML-702	3/4"	50	250	IML-702	3/4"	50	250
ML-703	1"	25	125	IML-703	1"	25	125
ML-704	1-1/4"	25	125	IML-704	1-1/4"	25	125
ML-705	1-1/2"	25	125	IML-705	1-1/2"	25	125
ML-706	2"	10	50	IML-706	2"	10	50
ML-707	2-1/2"	N/A	10	IML-707	2-1/2"	N/A	10
ML-708	3"	N/A	10	IML-708	3"	N/A	10
ML-709	3-1/2"	N/A	10	IML-709	3-1/2"	N/A	10
ML-710	4"	N/A	5	IML-710	4"	N/A	5
ML-711	5"	N/A	1	IML-711	5"	N/A	1
ML-712	6"	N/A	1	IML-712	6"	N/A	1

RIGID OFFSET NIPPLES ZINC

Used to offset 3/4" between enclosure runs

Material: Zinc Die-Cast

Certifications: UL Listed



ITEM#	TRADE SIZE	INNER QTY	MSTR. QTY	ITEM#	TRADE SIZE	INNER QTY	MSTR. QTY
L-40-1	1/2"	10	100	L-40-4	1-1/4"	5	50
L-40-2	3/4"	10	100	L-40-5	1-1/2"	5	50
L-40-3	1"	10	100	L-40-6	2"	2	20

RIGID OFFSET NIPPLES MALLEABLE

Used to offset 3/4" between enclosure runs

Material: Malleable Iron, Zinc Plated

Certifications: UL Listed, NEMA FB-1

Features: Threaded NPSM for Rigid/IMC conduit



ITEM#	TRADE SIZE	INNER QTY	MASTER QTY
ML-40-1	1/2"	10	100
ML-40-2	3/4"	10	100
ML-40-3	1"	10	100
ML-40-4	1-1/4"	5	50

CONDUIT BUSHINGS ZINC

Used with locknut to protect conductors in threaded Rigid/IMC conduit entering a box

Material: Zinc Die-Cast

Certifications: UL Listed



ITEM#	TRADE SIZE	INNER QTY	MSTR. QTY	ITEM#	TRADE SIZE	INNER QTY	MSTR. QTY
CB-50	1/2"	100	1000	CB-200	2"	25	100
CB-75	3/4"	100	1000	CB-250	2-1/2"	10	100
CB-100	1"	50	500	CB-300	3"	10	100
CB-125	1-1/4"	25	250	CB-350	3-1/2"	5	25
CB-150	1-1/2"	25	250	CB-400	4"	5	50

CONDUIT BUSHINGS ZINC INSULATED

Used with locknut to protect conductors in threaded Rigid/IMC conduit entering a box

Material: Zinc Die-cast

Certifications: UL Listed

Features: Insulated throat



ITEM#	TRADE SIZE	INNER QTY	MSTR. QTY	ITEM#	TRADE SIZE	INNER QTY	MSTR. QTY
CBI-50	1/2"	100	500	CBI-200	2"	10	50
CBI-75	3/4"	50	250	CBI-250	2-1/2"	N/A	10
CBI-100	1"	50	250	CBI-300	3"	N/A	10
CBI-125	1-1/4"	25	125	CBI-350	3-1/2"	N/A	10
CBI-150	1-1/2"	25	125	CBI-400	4"	N/A	10

CONDUIT BUSHINGS MALLEABLE

Used with locknut to protect conductors in threaded Rigid/IMC conduit entering a box

Material: Malleable Iron, Zinc Plated

Certifications: UL Listed, NEMA FB-1



ITEM#	TRADE SIZE	INNER QTY	MSTR. QTY	ITEM#	TRADE SIZE	INNER QTY	MSTR. QTY
MCB-50	1/2"	100	500	MCB-200	2"	10	50
MCB-75	3/4"	50	250	MCB-250	2-1/2"	N/A	10
MCB-100	1"	50	250	MCB-300	3"	N/A	10
MCB-125	1-1/4"	25	125	MCB-350	3-1/2"	N/A	10
MCB-150	1-1/2"	25	125	MCB-400	4"	N/A	10

CONDUIT BUSHINGS MALLEABLE INSULATED

Used with locknut to protect conductors in threaded Rigid/IMC conduit entering a box



Material: Malleable Iron, Zinc Plated, Liner Ultm 1000

Certifications: UL Listed, Federal Spec. WF- 408E, NEMA FB-1

Features: Liner rated at 150° C



ITEM#	TRADE SIZE	INNER QTY	MSTR. QTY	ITEM#	TRADE SIZE	INNER QTY	MSTR. QTY
MCBI-50	1/2"	100	500	MCBI-250	2-1/2"	N/A	10
MCBI-75	3/4"	50	250	MCBI-300	3"	N/A	10
MCBI-100	1"	50	250	MCBI-350	3-1/2"	N/A	10
MCBI-125	1-1/4"	25	125	MCBI-400	4"	N/A	10
MCBI-150	1-1/2"	25	125	MCBI-500	5"	N/A	5
MCBI-200	2"	10	50	MCBI-600	6"	N/A	5

GROUNDING BUSHINGS ZINC INSULATED

Used with a locknut to terminate service conduit to cabinet



Material: Zinc Die-Cast, Plastic Liner

Certifications: UL Listed

Features: AL CU dual rated lay-in lug for bonding jumper to neutral busbar. Plastic liner prevents damage to wire insulation.

Notes: Liner rated at 150°C



ITEM#	TRADE SIZE	INNER QTY	MSTR. QTY	ITEM#	TRADE SIZE	INNER QTY	MSTR. QTY
CBGI-50	1/2"	100	500	CBGI-200	2"	10	50
CBGI-75	3/4"	50	250	CBGI-250	2-1/2"	N/A	10
CBGI-100	1"	50	250	CBGI-300	3"	5	25
CBGI-125	1-1/4"	25	125	CBGI-350	3-1/2"	N/A	10
CBGI-150	1-1/2"	25	125	CBGI-400	4"	N/A	10

GROUNDING BUSHINGS MALLEABLE INSULATED

Used with a locknut to terminate service conduit to cabinet



Material: Malleable Iron, Plastic Liner

Certifications: UL Listed, NEMA FB-1

Features: AL CU dual rated lay-in lug for bonding jumper to neutral busbar. Plastic liner prevents damage to wire insulation.

Notes: Liner rated at 150°C



ITEM#	TRADE SIZE	INNER QTY	MSTR. QTY	ITEM#	TRADE SIZE	INNER QTY	MSTR. QTY
MCBGI-50	1/2"	100	500	MCBGI-250	2-1/2"	N/A	10
MCBGI-75	3/4"	50	250	MCBGI-300	3"	N/A	10
MCBGI-100	1"	50	250	MCBGI-350	3-1/2"	N/A	10
MCBGI-125	1-1/4"	25	125	MCBGI-400	4"	N/A	10
MCBGI-150	1-1/2"	25	125	MCBGI-500	5"	N/A	5
MCBGI-200	2"	10	50	MCBGI-600	6"	N/A	5

CONDUIT BUSHINGS PLASTIC

Used with a locknut to protect conductors inside Rigid/IMC conduit entering a box



Material: Polypropylene

Certifications: UL Listed

Features: 105° C temperature rating. Rounded surface prevents damage to wire insulation.

Color: Gray



ITEM#	TRADE SIZE	INNER QTY	MSTR. QTY	ITEM#	TRADE SIZE	INNER QTY	MSTR. QTY
CPB-50	1/2"	100	1000	CPB-250	2-1/2"	10	50
CPB-75	3/4"	100	1000	CPB-300	3"	10	50
CPB-100	1"	50	250	CPB-350	3-1/2"	10	40
CPB-125	1-1/4"	25	250	CPB-400	4"	10	40
CPB-150	1-1/2"	25	250	CPB-500	5"	N/A	10
CPB-200	2"	25	125	CPB-600	6"	N/A	10

REDUCING BUSHINGS STEEL

Reduces the size of internal female threads

Material: Steel

Certifications: UL Listed



ITEM#	TRADE SIZE	INNER QTY	MSTR. QTY	ITEM#	TRADE SIZE	INNER QTY	MSTR. QTY
LRB-2	3/4" x 1/2"	100	1000	LRB-9	1-1/2" x 3/4"	10	100
LRB-3	1" x 1/2"	50	500	LRB-10	1-1/2" x 1"	10	100
LRB-4	1" x 3/4"	50	500	LRB-11	1-1/2" x 1-1/4"	10	100
LRB-5	1-1/4" x 1/2"	25	250	LRB-14	2" x 1"	10	50
LRB-6	1-1/4" x 3/4"	25	125	LRB-15	2" x 1-1/4"	10	50
LRB-7	1-1/4" x 1"	25	125	LRB-16	2" x 1-1/2"	10	50
LRB-8	1-1/2" x 1/2"	25	125				

REDUCING BUSHINGS MALLEABLE

Reduces the size of internal female thread

Material: Malleable Iron

Certifications: UL Listed

Features: Threaded NPSM for Rigid and IMC conduit



ITEM#	TRADE SIZE	INNER QTY	MSTR. QTY	ITEM#	TRADE SIZE	INNER QTY	MSTR. QTY
LRB-21	2-1/2" x 1-1/2"	5	50	LRB-33	3-1/2" x 3"	N/A	5
LRB-22	2-1/2" x 2"	5	25	LRB-36	4" x 3"	N/A	5
LRB-28	3" x 2"	N/A	5	LRB-37	4" x 3-1/2"	N/A	5
LRB-29	3" x 2-1/2"	N/A	10				

FLOOR FLANGES MALLEABLE

Used with threaded conduit for mounting to flat surfaces

Material: Malleable Iron, Hot Dipped Galvanized



ITEM#	TRADE SIZE	INNER QTY	MSTR. QTY	ITEM#	TRADE SIZE	INNER QTY	MSTR. QTY
550	1/2"	N/A	25	553	1-1/4"	N/A	15
551	3/4"	N/A	20	554	1-1/2"	N/A	12
552	1"	N/A	20	555	2"	N/A	8

LOCKNUTS

Connects threaded conduit to box or enclosure



Material: Zinc Die-Cast or Steel as noted

Certifications: UL Listed (Zinc only)



ZINC				STEEL			
ITEM#	TRADE SIZE	INNER QTY	MSTR. QTY	ITEM#	TRADE SIZE	INNER QTY	MSTR. QTY
LN-50	1/2"	100	1000	LNS-38	3/8"	100	1000
LN-75	3/4"	100	1000	LNS-50	1/2"	100	1000
LN-100	1"	100	1000	LNS-75	3/4"	100	1000
LN-125	1-1/4"	50	500	LNS-100	1"	100	1000
LN-150	1-1/2"	20	200	LNS-125	1-1/4"	50	500
LN-200	2"	25	250	LNS-150	1-1/2"	20	200
LN-250	2-1/2"	10	100	LNS-200	2"	25	250
LN-300	3"	10	100	LNS-250	2-1/2"	10	100
LN-350	3-1/2"	10	50	LNS-300	3"	10	100
LN-400	4"	10	50	LNS-350	3-1/2"	10	50
				LNS-400	4"	10	50
				LNS-500	5"	N/A	10
				LNS-600	6"	N/A	10

EXTRA HEAVY DUTY UL LOCKNUTS STEEL

Connect threaded conduit to box or enclosure



Material: Zinc Plated Steel

Certifications: UL Listed



ITEM#	TRADE SIZE	INNER QTY	MSTR. QTY	ITEM#	TRADE SIZE	INNER QTY	MSTR. QTY
LNS-50UL	1/2"	100	1000	LNS-250UL	2-1/2"	N/A	25
LNS-75UL	3/4"	100	1000	LNS-300UL	3"	N/A	25
LNS-100UL	1"	100	500	LNS-350UL	3-1/2"	N/A	25
LNS-125UL	1-1/4"	N/A	100	LNS-400UL	4"	N/A	25
LNS-150UL	1-1/2"	N/A	50	LNS-500UL	5"	N/A	5
LNS-200UL	2"	N/A	25	LNS-600UL	6"	N/A	5

BONDING LOCKNUTS - STEEL

Connects threaded conduit to threadless opening in box or enclosure



Material: Steel

Certifications: UL Listed

Notes: For use in harsh vibration environments

ITEM#	TRADE SIZE	INNER QTY	MSTR. QTY	ITEM#	TRADE SIZE	INNER QTY	MSTR. QTY
LNS-50-G	1/2"	50	500	LNS-200-G	2"	25	250
LNS-75-G	3/4"	50	500	LNS-250-G	2-1/2"	5	50
LNS-100-G	1"	50	500	LNS-300-G	3"	5	50
LNS-125-G	1-1/4"	25	250	LNS-350-G	3-1/2"	10	50
LNS-150-G	1-1/2"	20	200	LNS-400-G	4"	5	25

SEALING LOCKNUTS - STEEL

Provides a rain-tight seal when fastening threaded conduit to threadless opening in box or enclosure



Material: Steel Locknut with PVC Molded Gasket

Certifications: UL Listed (sizes up to 2")

ITEM#	TRADE SIZE	INNER QTY	MSTR. QTY	ITEM#	TRADE SIZE	INNER QTY	MSTR. QTY
LNS-50-I	1/2"	50	500	LNS-200-I	2"	10	100
LNS-75-I	3/4"	25	250	LNS-250-I	2-1/2"	5	50
LNS-100-I	1"	25	250	LNS-300-I	3"	5	50
LNS-125-I	1-1/4"	10	100	LNS-350-I	3-1/2"	5	25
LNS-150-I	1-1/2"	10	100	LNS-400-I	4"	5	25

SEALING GASKETS SELF RETAINING

Provides a rain-tight seal between conduit fittings and outside of a box



Material: Zinc Plated Steel Ring, Neoprene Rubber Gasket
Certifications: UL Listed



ITEM#	TRADE SIZE	INNER QTY	MSTR. QTY	ITEM#	TRADE SIZE	INNER QTY	MSTR. QTY
SG-50	1/2"	50	500	SG-250	2-1/2"	N/A	10
SG-75	3/4"	25	250	SG-300	3"	N/A	10
SG-100	1"	25	250	SG-350	3-1/2"	N/A	10
SG-125	1-1/4"	10	100	SG-400	4"	N/A	10
SG-150	1-1/2"	10	100	SG-500	5"	N/A	5
SG-200	2"	10	100	SG-600	6"	N/A	5

WATERTIGHT HUBS ZINC

Secures threaded Rigid/IMC service entrance conduit to box or enclosure



Material: Zinc Die Cast
Certifications: UL Listed, NEMA FB-1, NEC Article 345 & 346

Features: Insulated throat has 105° C temperature rating



ITEM#	TRADE SIZE	INNER QTY	MSTR. QTY	ITEM#	TRADE SIZE	INNER QTY	MSTR. QTY
LWH-50	1/2"	20	100	LWH-200	2"	5	25
LWH-75	3/4"	20	100	LWH-250	2-1/2"	N/A	10
LWH-100	1"	20	100	LWH-300	3"	N/A	5
LWH-125	1-1/4"	10	50	LWH-350	3-1/2"	N/A	5
LWH-150	1-1/2"	10	50	LWH-400	4"	N/A	5

WATERTIGHT HUBS MALLEABLE

Secures threaded Rigid/IMC service entrance conduit to box or enclosure



Material: Malleable Iron

Certifications: UL Listed, Federal Spec. W-F-40BE, NEMA: FB-1



ITEM#	TRADE SIZE	INNER QTY	MSTR. QTY	ITEM#	TRADE SIZE	INNER QTY	MSTR. QTY
MLWH-50	1/2"	20	100	MLWH-250	2-1/2"	N/A	10
MLWH-75	3/4"	20	100	MLWH-300	3"	N/A	10
MLWH-100	1"	10	50	MLWH-350	3-1/2"	N/A	5
MLWH-125	1-1/4"	10	50	MLWH-400	4"	N/A	5
MLWH-150	1-1/2"	10	50	MLWH-500	5"	N/A	1
MLWH-200	2"	5	25	MLWH-600	6"	N/A	1

32

emt conduit fittings



With a wide array of set screw and compression EMT fittings, Madison gives you what you need, when you need it. Made to strict UL standards, all of our EMT fittings give you piece of mind that you are installing a quality product for you and your customer every time. With a full assortment of fittings, Madison offers everything you need to complete your project on time and in budget.

ME



MEproducts.net

EMT SET SCREW BOX CONNECTORS - ZINC

Connects EMT conduit to box or enclosure

Material: Zinc Die-Cast

Certifications: UL Listed. Also UL Listed for Rigid/IMC in sizes 2-1/2" - 4".

Features: Concrete-tight when taped



STANDARD				INSULATED THROAT			
ITEM#	TRADE SIZE	INNER QTY	MSTR. QTY	ITEM#	TRADE SIZE	INNER QTY	MSTR. QTY
L-121	1/2"	50	500	IL-121	1/2"	50	500
L-123	3/4"	25	250	IL-123	3/4"	25	250
L-125	1"	50	200	IL-125	1"	50	200
L-127	1-1/4"	25	100	IL-127	1-1/4"	25	100
L-129	1-1/2"	10	40	IL-129	1-1/2"	10	40
L-131	2"	5	20	IL-131	2"	5	20
L-133	2-1/2"	N/A	12	IL-133	2-1/2"	N/A	12
L-135	3"	N/A	12	IL-135	3"	N/A	12
L-137	3-1/2"	N/A	10	IL-137	3-1/2"	N/A	10
L-139	4"	N/A	6	IL-139	4"	N/A	6

OFFSET STANDARD

ITEM#	TRADE SIZE	INNER QTY	MASTER QTY
L-37-1	1/2"	10	100
L-37-2	3/4"	10	100

EMT SET SCREW COUPLINGS - ZINC

Connects two lengths of EMT conduit

Material: Zinc Die-Cast

Certifications: UL Listed. Also UL Listed for Rigid/IMC in sizes 2-1/2" - 4".

Features: Concrete-tight when taped



ITEM#	TRADE SIZE	INNER QTY	MSTR. QTY	ITEM#	TRADE SIZE	INNER QTY	MSTR. QTY
L-122	1/2"	50	500	L-132	2"	5	20
L-124	3/4"	25	250	L-134	2-1/2"	N/A	12
L-126	1"	50	200	L-136	3"	N/A	12
L-128	1-1/4"	25	100	L-138	3-1/2"	N/A	10
L-130	1-1/2"	10	40	L-140	4"	N/A	6

EMT SET SCREW BOX CONNECTORS - STEEL

Connects EMT conduit to box or enclosure



Material: Steel

Certifications: cULus Listed for EMT conduit only. Federal Spec. W-F-408E. NEMA FB-1

Features: Tubular construction w/staked robertson head screws. Concrete-tight when taped.

Notes: 1-1/4" thru 4" include 2 set screws. P suffix denotes pail pack.



STANDARD				INSULATED THROAT			
ITEM#	TRADE SIZE	INNER QTY	MSTR. QTY	ITEM#	TRADE SIZE	INNER QTY	MSTR. QTY
MES-750	1/2"	50	250	MES-750-B	1/2"	50	250
MES-751	3/4"	25	125	MES-751-B	3/4"	25	125
MES-752	1"	20	100	MES-752-B	1"	20	100
MES-753	1-1/4"	5	25	MES-753-B	1-1/4"	5	25
MES-754	1-1/2"	N/A	10	MES-754-B	1-1/2"	N/A	10
MES-755	2"	N/A	10	MES-755-B	2"	N/A	10
MES-756	2-1/2"	N/A	8	MES-756-B	2-1/2"	N/A	8
MES-757	3"	N/A	4	MES-757-B	3"	N/A	4
MES-758	3-1/2"	N/A	4	MES-758-B	3-1/2"	N/A	4
MES-759	4"	N/A	4	MES-759-B	4"	N/A	4
MES-750-5P	1/2"	N/A	500				
MES-751-4P	3/4"	N/A	400				

EMT SET SCREW COUPLINGS - STEEL

Connects two lengths of EMT conduit



Material: Steel

Certifications: cULus Listed for EMT conduit only.

Features: Concrete-tight when taped

Notes: 1-1/4"-4" furnished with 4 set screws. P suffix denotes pail pack.



ITEM#	TRADE SIZE	INNER QTY	MSTR. QTY	ITEM#	TRADE SIZE	INNER QTY	MSTR. QTY
MES-760	1/2"	50	250	MES-766	2-1/2"	0	8
MES-761	3/4"	25	125	MES-767	3"	0	4
MES-762	1"	10	100	MES-768	3-1/2"	0	4
MES-763	1-1/4"	5	25	MES-769	4"	0	4
MES-764	1-1/2"	0	10	MES-760-5P	1/2"	N/A	500
MES-765	2"	0	10	MES-761-3P	3/4"	N/A	300

EMT COMPRESSION BOX CONNECTORS - ZINC

Connects EMT conduit to box or enclosure

Material: Zinc Die-Cast

Certifications: UL Listed. Also UL Listed for Rigid/IMC in sizes 2-1/2" - 4"

Features: Concrete-tight

Notes: 2-1/2" and larger suitable for Rigid/IMC conduit



STANDARD				INSULATED			
ITEM#	TRADE SIZE	INNER QTY	MSTR. QTY	ITEM#	TRADE SIZE	INNER QTY	MSTR. QTY
L-21	1/2"	50	500	IL-21	1/2"	50	500
L-23	3/4"	25	250	IL-23	3/4"	25	250
L-25	1"	50	200	IL-25	1"	50	200
L-27	1-1/4"	25	100	IL-27	1-1/4"	25	100
L-29	1-1/2"	10	40	IL-29	1-1/2"	10	40
L-31	2"	5	20	IL-31	2"	5	20
L-33	2-1/2"	N/A	12	IL-33	2-1/2"	N/A	12
L-35	3"	N/A	12	IL-35	3"	N/A	12
L-37	3-1/2"	N/A	10	IL-37	3-1/2"	N/A	10
L-39	4"	N/A	6	IL-39	4"	N/A	6

EMT COMPRESSION COUPLINGS - ZINC

Connects two lengths of EMT conduit

Material: Zinc Die-Cast

Certifications: UL Listed. Also UL Listed for Rigid/IMC in sizes 2-1/2" - 4"

Features: Concrete-tight

Notes: 2-1/2" and larger suitable for Rigid/IMC conduit



ITEM#	TRADE SIZE	INNER QTY	MSTR. QTY	ITEM#	TRADE SIZE	INNER QTY	MSTR. QTY
L-22	1/2"	50	500	L-32	2"	5	20
L-24	3/4"	25	250	L-34	2-1/2"	N/A	12
L-26	1"	50	200	L-36	3"	N/A	12
L-28	1-1/4"	25	100	L-38	3-1/2"	N/A	10
L-30	1-1/2"	10	40	L-40	4"	N/A	6

EMT COMPRESSION BOX CONNECTORS - STEEL

Connects EMT conduit to box or enclosure



Material: Steel

Certifications: UL Listed (all),
Federal Spec. W-F-408E, NEMA FB-1 (insulated only)

Features: Concrete-tight



STANDARD				INSULATED THROAT			
ITEM#	TRADE SIZE	INNER QTY	MSTR. QTY	ITEM#	TRADE SIZE	INNER QTY	MSTR. QTY
MEC-750	1/2"	50	250	MEC-750-B	1/2"	50	250
MEC-751	3/4"	25	125	MEC-751-B	3/4"	25	125
MEC-752	1"	15	75	MEC-752-B	1"	15	75
MEC-753	1-1/4"	N/A	20	MEC-753-B	1-1/4"	N/A	20
MEC-754	1-1/2"	N/A	5	MEC-754-B	1-1/2"	N/A	5
MEC-755	2"	N/A	10	MEC-755-B	2"	N/A	10
MEC-756	2-1/2"	N/A	8	MEC-756-B	2-1/2"	N/A	8
MEC-757	3"	N/A	4	MEC-757-B	3"	N/A	4
MEC-758	3-1/2"	N/A	4	MEC-758-B	3-1/2"	N/A	4
MEC-759	4"	N/A	4	MEC-759-B	4"	N/A	4

EMT COMPRESSION COUPLINGS - STEEL

Connects two lengths of EMT conduit



Material: Steel

Certifications: UL Listed

Features: Concrete-tight



ITEM#	TRADE SIZE	INNER QTY	MSTR. QTY	ITEM#	TRADE SIZE	INNER QTY	MSTR. QTY
MEC-760	1/2"	50	250	MEC-765	2"	N/A	10
MEC-761	3/4"	25	125	MEC-766	2-1/2"	N/A	8
MEC-762	1"	15	75	MEC-767	3"	N/A	4
MEC-763	1-1/4"	N/A	20	MEC-768	3-1/2"	N/A	4
MEC-764	1-1/2"	N/A	5	MEC-769	4"	N/A	4

EMT COMPRESSION BOX CONNECTORS 90° ANGLE - ZINC

Connects EMT conduit to box or enclosure

Material: Zinc Die-Cast

Certifications: UL Listed

Features: Concrete-tight



ITEM#	TRADE SIZE	INNER QTY	MASTER QTY
211	1/2"	25	250
213	3/4"	20	200

EMT COMPRESSION BOX CONNECTORS RAIN-TIGHT - ZINC

Connects EMT conduit to box or enclosure for a rain-tight fit

Material: Zinc Die-Cast

Certifications: UL Listed

Features: Rain-tight, concrete-tight



ITEM#	TRADE SIZE	INNER QTY	MASTER QTY
L-21RT	1/2"	50	500
L-23RT	3/4"	25	250
L-25RT	1"	50	200

EMT COMPRESSION COUPLINGS RAIN-TIGHT - ZINC

Connects two lengths of EMT conduit for a rain-tight fit

Material: Zinc Die-Cast

Certifications: UL Listed

Features: Rain-tight, concrete-tight



ITEM#	TRADE SIZE	INNER QTY	MASTER QTY
L-22RT	1/2"	50	500
L-24RT	3/4"	25	250
L-26RT	1"	50	200

EMT COMPRESSION BOX CONNECTORS RAIN-TIGHT - STEEL

Connects EMT conduit to box or enclosure for a rain-tight fit



Material: Steel, Zinc Plated

Certifications: UL Listed Rain-tight, Federal Spec. W-F-408E, NEMA FB-1

Features: Rain-tight, concrete-tight, wet locations



STANDARD				INSULATED THROAT			
ITEM#	TRADE SIZE	INNER QTY	MSTR. QTY	ITEM#	TRADE SIZE	INNER QTY	MSTR. QTY
MECR-750	1/2"	50	250	MECR-750-B	1/2"	50	250
MECR-751	3/4"	25	125	MECR-751-B	3/4"	25	125
MECR-752	1"	15	75	MECR-752-B	1"	15	75
MECR-753	1-1/4"	N/A	20	MECR-753-B	1-1/4"	N/A	20
MECR-754	1-1/2"	N/A	5	MECR-754-B	1-1/2"	N/A	5
MECR-755	2"	N/A	10	MECR-755-B	2"	N/A	10
MECR-756	2-1/2"	N/A	8	MECR-756-B	2-1/2"	N/A	8
MECR-757	3"	N/A	4	MECR-757-B	3"	N/A	4
MECR-758	3-1/2"	N/A	4	MECR-758-B	3-1/2"	N/A	4
MECR-759	4"	N/A	4	MECR-759-B	4"	N/A	4

EMT COMPRESSION COUPLINGS RAIN-TIGHT - STEEL

Connects two lengths of EMT conduit for a rain-tight fit



Material: Steel

Certifications: UL Listed Rain-tight, Federal Spec. W-F-408E, NEMA FB-1

Features: Rain-tight, concrete-tight, wet locations



ITEM#	TRADE SIZE	INNER QTY	MSTR. QTY	ITEM#	TRADE SIZE	INNER QTY	MSTR. QTY
MECR-760	1/2"	50	250	MECR-765	2"	N/A	10
MECR-761	3/4"	25	125	MECR-766	2-1/2"	N/A	8
MECR-762	1"	15	75	MECR-767	3"	N/A	4
MECR-763	1-1/4"	N/A	20	MECR-768	3-1/2"	N/A	4
MECR-764	1-1/2"	N/A	10	MECR-769	4"	N/A	4

LIQUID-TIGHT TO EMT COMBINATION COMPRESSION COUPLINGS STEEL



Connects Liquid-tight conduit to EMT conduit

Material: Steel

Certifications: UL Listed

Features: Reusable ferrule



ITEM#	TRADE SIZE	INNER QTY	MASTER QTY
MLT-EMT-50	1/2"	25	100
MLT-EMT-75	3/4"	10	50
MLT-EMT-100	1"	5	25

EMT SET SCREW INSIDE CORNER PULL ELBOWS EMT TO EMT



Connects 2 lengths of EMT conduit for a 90° inside corner bend

Material: Zinc Die-cast

Certifications: UL Listed



ITEM#	TRADE SIZE	INNER QTY	MASTER QTY
L-244-1	1/2"	10	100
L-244-2	3/4"	5	50

EMT SET SCREW PULL ELBOWS - EMT TO BOX

Connects EMT conduit to box or enclosure



Material: Zinc Die-cast

Certifications: UL Listed

Features: Removable aluminum cover for wire pulling



STANDARD				NEOPRENE GASKET			
ITEM#	TRADE SIZE	INNER QTY	MSTR. QTY	ITEM#	TRADE SIZE	INNER QTY	MSTR. QTY
L-143-1	1/2"	10	100	LG-143-1	1/2"	10	100
L-143-2	3/4"	5	50	LG-143-2	3/4"	5	50

EMT SET SCREW PULL ELBOWS - EMT TO EMT

Connects 2 lengths of EMT conduit for a 90° bend



Material: Zinc Die-cast

Certifications: UL Listed

Features: Removable aluminum cover for wire pulling. Neoprene gasket.



STANDARD				NEOPRENE GASKET			
ITEM#	TRADE SIZE	INNER QTY	MSTR. QTY	ITEM#	TRADE SIZE	INNER QTY	MSTR. QTY
L-144-1	1/2"	10	100	LG-144-1	1/2"	10	100
L-144-2	3/4"	5	50	LG-144-2	3/4"	5	50
				LG-144-3	1"	N/A	25
				LG-144-4	1-1/4"	N/A	20

EMT/RIGID COMBINATION PULL ELBOWS EMT/RIGID TO BOX

Connects EMT or Rigid/IMC conduit to box or enclosure



Material: Zinc Die-cast

Certifications: UL Listed

Features: Neoprene gasket. Threaded interior for use with Rigid/IMC conduit. Set screws for use with EMT conduit.



ITEM#	TRADE SIZE	INNER QTY	MASTER QTY
LG-143-1-CB	1/2"	10	100
LG-143-2-CB	3/4"	5	50

EMT/RIGID COMBINATION PULL ELBOWS EMT/RIGID TO EMT/RIGID

Connects 2 lengths of EMT or Rigid/IMC conduit for a 90° bend



Material: Zinc Die-cast

Certifications: UL Listed

Features: Neoprene gasket. Threaded interior for use with Rigid/IMC conduit. Set screws for use with EMT conduit.



ITEM#	TRADE SIZE	INNER QTY	MASTER QTY
LG-144-1-CB	1/2"	10	100
LG-144-2-CB	3/4"	5	50

COMBINATION COUPLINGS EMT TO FLEX

Connects EMT to flexible metal conduit

Material: Zinc Die-Cast

Certifications: UL Listed (except L-153)



ITEM#	TRADE SIZE	INNER QTY	MASTER QTY
L-153	1/2"	50	500
L-153-1	1/2"	25	250
L-153-2	3/4"	25	125

COMBINATION COMPRESSION COUPLINGS - EMT TO FLEX

Connects EMT to flexible metal conduit

Material: Zinc Die-cast

Certifications: UL Listed

Features: Compression end for EMT, screw-in end for flex



ITEM#	TRADE SIZE	INNER QTY	MASTER QTY
L-49-1	1/2"	50	500
L-49-2	3/4"	25	250

SET SCREW COMBINATION COUPLINGS EMT TO RIGID

Connects EMT conduit to threadless Rigid/IMC conduit

Material: Steel, Zinc Plated

Certifications: UL Listed, NEMA FB-1

Features: Concrete-tight when taped



ITEM#	TRADE SIZE	INNER QTY	MASTER QTY
MERSS-50	1/2"	20	100
MERSS-75	3/4"	20	100
MERSS-100	1"	10	50

COMBINATION COMPRESSION COUPLINGS - EMT TO RIGID

Connects EMT conduit to threaded Rigid/IMC conduit



Material: Steel

Certifications: UL Listed, NEMA FB-1

Features: Concrete-tight



ITEM#	TRADE SIZE	INNER QTY	MASTER QTY
MERC-50	1/2"	20	100
MERC-75	3/4"	20	100
MERC-100	1"	10	50

EMT INSULATING BUSHINGS PLASTIC

Protects cable jacket from abrasion during installation



Material: High Density Polyethylene (HDPE)

Features: 90° C temperature rating. No tools required.

ITEM#	TRADE SIZE	INNER QTY	MSTR. QTY	ITEM#	TRADE SIZE	INNER QTY	MSTR. QTY
CAP-50	1/2"	100	1000	CAP-200	2"	25	100
CAP-75	3/4"	100	1000	CAP-250	2-1/2"	10	50
CAP-100	1"	50	500	CAP-300	3"	10	50
CAP-125	1-1/4"	50	500	CAP-350	3-1/2"	N/A	10
CAP-150	1-1/2"	25	250	CAP-400	4"	N/A	10

44

liquid-tight fittings



All of our liquid-tight fittings are UL listed assuring you a tight fit and easy use. With long ferrules to prevent pull out, you can be sure our liquid-tight fittings will come through every time. Madison has one of the most comprehensive lines of liquid-tight fittings with a wide range of sizes and configurations, providing you with the best choice for you and your project.

ME



MEproducts.net

LIQUID-TIGHT BOX CONNECTORS STRAIGHT - ZINC

Connects liquid-tight conduit to box or enclosure

Material: Zinc Die-Cast

Certifications: UL Listed

Notes: For use with metallic and non-metallic -Type B



STANDARD				INSULATED THROAT			
ITEM#	TRADE SIZE	INNER QTY	MSTR. QTY	ITEM#	TRADE SIZE	INNER QTY	MSTR. QTY
LQA-1038	3/8"	25	100	LQA-1038-I	3/8"	25	100
LQA-1050	1/2"	25	100	LQA-1050-I	1/2"	25	100
LQA-1075	3/4"	10	100	LQA-1075-I	3/4"	10	100
LQA-1100	1"	5	25	LQA-1100-I	1"	5	25
LQA-1125	1-1/4"	5	25	LQA-1125-I	1-1/4"	5	25
LQA-1150	1-1/2"	2	10	LQA-1150-I	1-1-1/2"	2	10
LQA-1200	2"	2	10	LQA-1200-I	2"	2	10
				LQA-1250-I	2-1/2"	1	5
				LQA-1300-I	3"	N/A	1
				LQA-1350-I	3-1/2"	N/A	1
				LQA-1400-I	4"	N/A	1

LIQUID TIGHT BOX CONNECTORS 90° ANGLE - ZINC

Connects liquid-tight conduit to box or enclosure

Material: Zinc Die-Cast

Certifications: UL Listed

Notes: For use with metallic and non-metallic -Type B



STANDARD				INSULATED THROAT			
ITEM#	TRADE SIZE	INNER QTY	MSTR. QTY	ITEM#	TRADE SIZE	INNER QTY	MSTR. QTY
LQA-9038	3/8"	10	50	LQA-9038-I	3/8"	10	50
LQA-9050	1/2"	10	50	LQA-9050-I	1/2"	10	50
LQA-9075	3/4"	10	50	LQA-9075-I	3/4"	10	50
LQA-9100	1"	5	25	LQA-9100-I	1"	5	25
LQA-9125	1-1/4"	5	25	LQA-9125-I	1-1/4"	5	25
LQA-9150	1-1/2"	2	10	LQA-9150-I	1-1-1/2"	2	10
LQA-9200	2"	2	10	LQA-9200-I	2"	2	10
				LQA-9250-I	2-1/2"	N/A	1
				LQA-9300-I	3"	N/A	1
				LQA-9350-I	3-1/2"	N/A	1
				LQA-9400-I	4"	N/A	1

LIQUID-TIGHT BOX CONNECTORS STRAIGHT - MALLEABLE

Connects liquid-tight flexible metal conduit to box or enclosure



Material: Malleable Iron, Zinc Plated

Certifications: UL Listed (sizes 3/8" thru 4" only)

Features: Long ferrule prevents pull out



INSULATED THROAT

ITEM#	TRADE SIZE	INNER QTY	MSTR. QTY	ITEM#	TRADE SIZE	INNER QTY	MSTR. QTY
MSTR-38-B	3/8"	25	100	MSTR-250-B	2-1/2"	N/A	1
MSTR-50-B	1/2"	25	100	MSTR-300-B	3"	N/A	1
MSTR-75-B	3/4"	10	50	MSTR-350-B	3-1/2"	N/A	1
MSTR-100-B	1"	5	25	MSTR-400-B	4"	N/A	1
MSTR-125-B	1-1/4"	5	25	MSTR-500-B	5"	N/A	1
MSTR-150-B	1-1/2"	5	25	MSTR-600-B	6"	N/A	1
MSTR-200-B	2"	N/A	5				

INSULATED W/ALUMINUM LUG

ITEM#	TRADE SIZE	INNER QTY	MSTR. QTY	ITEM#	TRADE SIZE	INNER QTY	MSTR. QTY
MSTR-38-A	3/8"	25	100	MSTR-250-A	2-1/2"	N/A	1
MSTR-50-A	1/2"	25	100	MSTR-300-A	3"	N/A	1
MSTR-75-A	3/4"	10	50	MSTR-350-A	3-1/2"	N/A	1
MSTR-100-A	1"	5	25	MSTR-400-A	4"	N/A	1
MSTR-125-A	1-1/4"	5	25	MSTR-500-A	5"	N/A	1
MSTR-150-A	1-1/2"	5	25	MSTR-600-A	6"	N/A	1
MSTR-200-A	2"	N/A	5				

INSULATED W/COPPER LUG

ITEM#	TRADE SIZE	INNER QTY	MSTR. QTY	ITEM#	TRADE SIZE	INNER QTY	MSTR. QTY
MSTR-38-CL	3/8"	25	100	MSTR-250-CL	2-1/2"	N/A	1
MSTR-50-CL	1/2"	25	100	MSTR-300-CL	3"	N/A	1
MSTR-75-CL	3/4"	10	50	MSTR-350-CL	3-1/2"	N/A	1
MSTR-100-CL	1"	5	25	MSTR-400-CL	4"	N/A	1
MSTR-125-CL	1-1/4"	5	25	MSTR-500-CL	5"	N/A	1
MSTR-150-CL	1-1/2"	2	10	MSTR-600-CL	6"	N/A	1
MSTR-200-CL	2"	N/A	5				

LIQUID-TIGHT BOX CONNECTORS 90° ANGLE - MALLEABLE

Connects liquid-tight flexible metal conduit to box or enclosure

Material: Malleable Iron, Zinc Plated

Certifications: UL Listed

Features: Long ferrule prevents pull out



INSULATED

ITEM#	TRADE SIZE	INNER QTY	MSTR. QTY	ITEM#	TRADE SIZE	INNER QTY	MSTR. QTY
MSTR-3890-B	3/8"	10	50	MSTR-20090-B	2"	N/A	2
MSTR-5090-B	1/2"	10	50	MSTR-25090-B	2-1/2"	N/A	1
MSTR-7590-B	3/4"	5	25	MSTR-30090-B	3"	N/A	1
MSTR-10090-B	1"	5	25	MSTR-35090-B	3-1/2"	N/A	1
MSTR-12590-B	1-1/4"	N/A	5	MSTR-40090-B	4"	N/A	1
MSTR-15090-B	1-1/2"	N/A	5				

INSULATED W/ALUMINUM LUG

ITEM#	TRADE SIZE	INNER QTY	MSTR. QTY	ITEM#	TRADE SIZE	INNER QTY	MSTR. QTY
MSTR-3890-A	3/8"	10	50	MSTR-20090-A	2"	N/A	2
MSTR-5090-A	1/2"	10	50	MSTR-25090-A	2-1/2"	N/A	1
MSTR-7590-A	3/4"	5	25	MSTR-30090-A	3"	N/A	1
MSTR-10090-A	1"	5	25	MSTR-35090-A	3-1/2"	N/A	1
MSTR-12590-A	1-1/4"	N/A	5	MSTR-40090-A	4"	N/A	1
MSTR-15090-A	1-1/2"	N/A	5				

MyMadison
THE BLOG

Your source for
ideas, insights &
innovation in the
Electrical Industry.

LIQUID-TIGHT BOX CONNECTORS 45° ANGLE - MALLEABLE

Connects liquid-tight flexible metal conduit to box or enclosure



- Material:** Malleable Iron, Zinc Plated
Certifications: UL Listed
Features: Long ferrule prevents pull out



INSULATED

ITEM#	TRADE SIZE	INNER QTY	MSTR. QTY	ITEM#	TRADE SIZE	INNER QTY	MSTR. QTY
MSTR-3845-B	3/8"	10	50	MSTR-20045-B	2"	N/A	2
MSTR-5045-B	1/2"	10	50	MSTR-25045-B	2-1/2"	N/A	1
MSTR-7545-B	3/4"	10	50	MSTR-30045-B	3"	N/A	1
MSTR-10045-B	1"	5	25	MSTR-35045-B	3-1/2"	N/A	1
MSTR-12545-B	1-1/4"	N/A	5	MSTR-40045-B	4"	N/A	1
MSTR-15045-B	1-1/2"	N/A	5				

INSULATED W/ALUMINUM LUG

ITEM#	TRADE SIZE	INNER QTY	MSTR. QTY	ITEM#	TRADE SIZE	INNER QTY	MSTR. QTY
MSTR-3845-A	3/8"	10	50	MSTR-20045-A	2"	N/A	2
MSTR-5045-A	1/2"	10	50	MSTR-25045-A	2-1/2"	N/A	1
MSTR-7545-A	3/4"	10	50	MSTR-30045-A	3"	N/A	1
MSTR-10045-A	1"	5	25	MSTR-35045-A	3-1/2"	N/A	1
MSTR-12545-A	1-1/4"	N/A	5	MSTR-40045-A	4"	N/A	1
MSTR-15045-A	1-1/2"	N/A	5				

MyMadison
News, Insights and Innovation in the Electrical Industry

November 28, 2017 by Rob Foster

Electrical Industry Trade Show Tips, Part 1

From trade show trade shows to show shows, I've spent some time reviewing the pros and cons and how we can do their better next time. Overall we have had a very successful season - multiple levels, plus we had some really great folks. Based on my experience, I've put together a few tips for attending industry trade shows.

This week, we'll share these tips in a three-part "Electrical Industry Trade Show Tip" series, starting today with 10 pre-show tips.

While this is assuming you're one of the necessary pre-show prep, booth design and build, securing appropriate booth space, making layout and utility, preparing vehicles, product, sign, hardware, and tool removal systems, etc.)

- Meet with all staff that will be at the show working the booth. All need to have a consistent message, plus know where products and services are available in each state.
- Review all products and services, and unique selling points on each.
- Train all team members to sell up your booth through a "30 sec." in case a spontaneous emergency happens and you're not able to respond.
- Research the audience, and your booth number, in as many places as possible leading up to show: your website home page, mobile app(s), direct mailers, ads, social, email, etc.
- Share your attendance via social media - like Twitter, Facebook, LinkedIn and your company's blog. Monitor your booth number and any products or services you will be featuring. If the show has a hashtag, use it in your social posts.
- Invite customers through LinkedIn and email to visit by your booth either set up a welcome meeting to take what's best.
- Review the past year's attendance list if available and reach out to new target customers.
- Reach out to industry media scheduled to attend the show regarding new products or services. Try to set up meetings to chat and network.
- Research local contacts for possible customer or partner introductions.
- Prepare and schedule tweets and Facebook updates prior to show, to make your the "buzz" throughout the show. (It feel like Facebook can help with this.)
- Create a list of Twitter handles of customers, exhibitors, associations and partners.
- Review the company show schedule and your set up and tear down times, but look at all other show dates. Make sure you participate in the opening ceremony and any breakout sessions that are appropriate.
- Create a "check sheet" of contacts and numbers for the show, including show numbers, etc.

MEproducts.net

NONMETALLIC LIQUID-TIGHT BOX CONNECTORS STRAIGHT

Connects liquid-tight nonmetallic conduit to box or enclosure

Material: Nylon

Certifications: UL Listed

Features: Suitable for use with liquid-tight flexible non-metallic conduit, Type B

Notes: S suffix denotes one-piece screw-in type



STANDARD				SCREW-IN			
ITEM#	TRADE SIZE	INNER QTY	MSTR. QTY	ITEM#	TRADE SIZE	INNER QTY	MSTR. QTY
NMLQ-1038	3/8"	25	100	NMLQ-1038-S	3/8"	25	125
NMLQ-1050	1/2"	25	100	NMLQ-1050-S	1/2"	25	100
NMLQ-1075	3/4"	10	100	NMLQ-1075-S	3/4"	25	100
NMLQ-1100	1"	5	50				
NMLQ-1125	1-1/4"	5	25				
NMLQ-1150	1-1/2"	2	10				
NMLQ-1200	2"	2	10				

NONMETALLIC LIQUID-TIGHT BOX CONNECTORS 90° ANGLE

Connects liquid-tight nonmetallic conduit to box or enclosure

Material: Nylon

Certifications: UL Listed

Features: Suitable for use with liquid-tight flexible non-metallic conduit, Type B

Notes: S suffix denotes one-piece screw-in type



STANDARD				SCREW-IN			
ITEM#	TRADE SIZE	INNER QTY	MSTR. QTY	ITEM#	TRADE SIZE	INNER QTY	MSTR. QTY
NMLQ-9038	3/8"	10	100	NMLQ-9038-S	3/8"	10	50
NMLQ-9050	1/2"	10	100	NMLQ-9050-S	1/2"	10	100
NMLQ-9075	3/4"	10	100	NMLQ-9075-S	3/4"	10	100
NMLQ-9100	1"	5	50				
NMLQ-9125	1-1/4"	5	25				
NMLQ-9150	1-1/2"	2	10				
NMLQ-9200	2"	2	10				

COMBINATION COMPRESSION COUPLINGS LIQUID-TIGHT TO EMT

Connects liquid-tight conduit to EMT conduit



Material: Steel

Certifications: UL Listed



ITEM#	TRADE SIZE	INNER QTY	MASTER QTY
MLT-EMT-50	1/2"	25	100
MLT-EMT-75	3/4"	10	50
MLT-EMT-100	1"	5	25

COMPRESSION COMBINATION COUPLINGS LIQUID-TIGHT TO RIGID/IMC

Connects Liquid-tight conduit to Rigid/IMC conduit



Material: Steel

Certifications: UL Listed



ITEM#	TRADE SIZE	INNER QTY	MASTER QTY
MLT-NT-50	1/2"	25	100

52

flex/mc/ac fittings



Nothing can be more frustrating than losing valuable time due to low quality fittings. Madison's Flex/AC/MC fittings come through for you time after time. Giving you affordability paired with quality, Madison saves you time and money. With a large variety of UL listed Flex/AC/MC fittings, you can be confident that you are using some of the finest fittings available anywhere.



SQUEEZE BOX CONNECTORS STRAIGHT - ZINC

Connects flexible metal conduit to box
or enclosure

Material: Zinc Die-Cast

Certifications: UL Listed

Notes: *L-41-1 for use with MC cable



STANDARD				INSULATED THROAT			
ITEM#	TRADE SIZE	INNER QTY	MSTR. QTY	ITEM#	TRADE SIZE	INNER QTY	MSTR. QTY
L-41-1*	1/2"	25	250				
L-42	3/8"	50	500				
L-42-1	1/2"	25	250	IL-42-1	1/2"	25	250
L-42-2	3/4"	25	250	IL-42-2	3/4"	25	250
L-42-3	1"	10	100	IL-42-3	1"	10	100
L-42-4	1-1/4"	10	100	IL-42-4	1-1/4"	10	100
L-42-5	1-1/2"	5	50	IL-42-5	1-1/2"	5	50
L-42-6	2"	10	40	IL-42-6	2"	10	40
L-42-7	2-1/2"	N/A	5	IL-42-7	2-1/2"	N/A	5
L-42-8	3"	1	5	IL-42-8	3"	N/A	5
L-42-9	3-1/2"	N/A	1	IL-42-9	3-1/2"	N/A	1
L-42-10	4"	N/A	1	IL-42-10	4"	N/A	1

**We're looking
for partners with
innovative ideas!**

Learn how to bring your ideas to life at:
www.MEproducts.net/SPARKS

MADISON ELECTRIC PRODUCTS
sparks
PRODUCT INNOVATION CENTER

SQUEEZE BOX CONNECTORS 90° ANGLE - ZINC

Connects flexible metal conduit to box or enclosure

Material: Zinc Die-Cast

Certifications: UL Listed

Features: 90° Fitting with cover



STANDARD				INSULATED THROAT			
ITEM#	TRADE SIZE	INNER QTY	MSTR. QTY	ITEM#	TRADE SIZE	INNER QTY	MSTR. QTY
L-110	3/8"	50	500	IL-110	3/8"	50	500
L-110-1	1/2"	25	250	IL-110-1	1/2"	25	250
L-110-2	3/4"	10	100	IL-110-2	3/4"	10	100
L-110-3	1"	5	50	IL-110-3	1"	5	50
L-110-4	1-1/4"	10	40	IL-110-4	1-1/4"	10	40
L-110-5	1-1/2"	N/A	5	IL-110-5	1-1/2"	N/A	5
L-110-6	2"	N/A	5	IL-110-6	2"	N/A	5
L-110-7	2-1/2"	N/A	5	IL-110-7	2-1/2"	N/A	5
L-110-8	3"	N/A	1	IL-110-8	3"	N/A	1
L-110-9	3-1/2"	N/A	1	IL-110-9	3-1/2"	N/A	1
L-110-10	4"	N/A	1	IL-110-10	4"	N/A	1

IDEAS WELCOME

Who knows? Maybe the next great invention will be yours!

SQUEEZE BOX CONNECTORS STRAIGHT - MALLEABLE

Connects flexible metal conduit to box or enclosure



Material: Malleable Iron, Zinc Plated

Certifications: UL Listed, Federal Spec. W F 406E, NEMA FB-1

Features: Male hub threads - NPSM

Notes: ML-42, ML-42-1, IML-42 & IML-42-1 can also be used with MCAP®



STANDARD				INSULATED THROAT			
ITEM#	TRADE SIZE	INNER QTY	MSTR. QTY	ITEM#	TRADE SIZE	INNER QTY	MSTR. QTY
ML-42	3/8"	25	125	IML-42	3/8"	25	125
ML-42-1	1/2"	25	125	IML-42-1	1/2"	25	125
ML-42-2	3/4"	20	100	IML-42-2	3/4"	20	100
ML-42-3	1"	10	50	IML-42-3	1"	10	50
ML-42-4	1-1/4"	10	50	IML-42-4	1-1/4"	10	50
ML-42-5	1-1/2"	5	25	IML-42-5	1-1/2"	5	25
ML-42-6	2"	N/A	5	IML-42-6	2"	N/A	5
ML-42-7	2-1/2"	N/A	5	IML-42-7	2-1/2"	N/A	5
ML-42-8	3"	N/A	5	IML-42-8	3"	N/A	5
ML-42-9	3-1/2"	N/A	1	IML-42-9	3-1/2"	N/A	1
ML-42-10	4"	N/A	1	IML-42-10	4"	N/A	1

SQUEEZE BOX CONNECTORS 90° ANGLE - MALLEABLE

Connects flexible metal conduit to box or enclosure

Material: Malleable Iron, Zinc Plated
Certifications: UL Listed, Federal Spec. W F 406E, NEMA FB-1

Features: Male hub threads - NPSM

Notes: 90° Fitting with cover. ML-110, ML-110-2, IML-110 & IML-110-2 can also be used with MCAP®.



STANDARD				INSULATED THROAT			
ITEM#	TRADE SIZE	INNER QTY	MSTR. QTY	ITEM#	TRADE SIZE	INNER QTY	MSTR. QTY
ML-110	3/8"	20	100	IML-110	3/8"	25	250
ML-110-1	1/2"	20	100	IML-110-1	1/2"	20	100
ML-110-2	3/4"	10	50	IML-110-2	3/4"	10	50
ML-110-3	1"	5	25	IML-110-3	1"	5	25
ML-110-4	1-1/4"	5	25	IML-110-4	1-1/4"	5	25
ML-110-5	1-1/2"	2	10	IML-110-5	1-1/2"	2	10
ML-110-6	2"	N/A	5	IML-110-6	2"	N/A	5
ML-110-7	2-1/2"	N/A	5	IML-110-7	2-1/2"	N/A	5
ML-110-8	3"	N/A	1	IML-110-8	3"	N/A	1
ML-110-9	3-1/2"	N/A	1	IML-110-9	3-1/2"	N/A	1
ML-110-10	4"	N/A	1	IML-110-10	4"	N/A	1

SCREW-IN BOX CONNECTORS ZINC

Connects flexible metal conduit to box or enclosure

Material: Zinc Die-Cast
Certifications: UL Listed

Features: Concrete-tight when taped



STANDARD				INSULATED THROAT			
ITEM#	TRADE SIZE	INNER QTY	MSTR. QTY	ITEM#	TRADE SIZE	INNER QTY	MSTR. QTY
L-44	3/8"	50	500				
L-44-1	1/2"	50	500	IL-44-1	1/2"	25	250
L-44-2	3/4"	25	250	IL-44-2	3/4"	25	250
L-44-3	1"	25	250	IL-44-3	1"	10	100
L-44-4	1-1/4"	10	100	IL-44-4	1-1/4"	10	40
L-44-5	1-1/2"	10	40	IL-44-5	1-1/2"	10	40
L-44-6	2"	10	40	IL-44-6	2"	N/A	1

NEW

CUT-IN SNAP LOCK BOX CONNECTOR

Connects metal clad or armored cable to old-work steel boxes or enclosures



Material: Zinc Die-Cast, Steel, Plastic Insulator

Certifications: cULus Listed



Features: No tools required when assembling to the cable or the box. After installing the old-work box in the wall and fishing the cable through the box, simply snap the cable into the fitting and snap the fitting into the box. Easily removed without tools and reusable.

ITEM#	TRADE SIZE	INNER QTY	MASTER QTY
MCS38	3/8"	25	100

NEW

DOUBLE SNAP LOCK MC CONNECTOR

Connects metal clad or armored cable to steel boxes or enclosures



Material: Zinc Die-Cast, Steel, Plastic Insulator

Certifications: cULus Listed



Features: No tools required when assembling to the cable or the box. Robust one-piece square grip design for easy use. Snap the cable to the fitting and snap the fitting into the box. Easily removed without tools and reusable. Patent pending.

ITEM#	TRADE SIZE	INNER QTY	MASTER QTY
MDS38	3/8"	50	500

SADDLE TYPE BOX CONNECTORS - ZINC

Connects flexible metal conduit to box or enclosure



Material: Zinc Die-Cast

Certifications: UL Listed (L-67 only)



Features: Concrete-tight

ITEM#	TRADE SIZE	INNER QTY	MASTER QTY
L-67	3/8"	50	500
L-68	1/2"	25	250
L-69	3/4"	20	200
L-70	1"	10	100

FLEX SET SCREW BOX CONNECTORS - ZINC

Connects flexible metal conduit to box or enclosure

Material: Zinc Die-Cast

Certifications: UL Listed



ITEM#	TRADE SIZE	INNER QTY	MASTER QTY
L-48-1	1/2"	25	250
L-48-2	3/4"	20	100

TWO-SCREW BOX CONNECTORS - ZINC

Connects 14/2 to 10/3 armored ROMEX® or non-metallic sheathed cable to box or enclosure

Material: Zinc Die-Cast

Certifications: UL Listed

Notes: L-51 NM cable: (2) 14/2, (1) 12/2,

L-57: AC cable: (FE) 14/2-10/2, .46 min x .598 max AC cable



ITEM#	TRADE SIZE	INNER QTY	MASTER QTY
L-51	1/2"	25	250
L-57	1/2"	20	100

DUPLEX BOX CONNECTORS ZINC

Connects two lengths of flexible metal conduit to box or enclosure

Material: Zinc Die-Cast

Certifications: UL Listed

Notes: Metal clad cable range:

Aluminum Continuous Sheath Smooth .410-.500

Aluminum Interlocking .460 - .560

Steel Interlocking .438 - .560



ITEM#	TRADE SIZE	SCREWS	INNER QTY	MASTER QTY
L-158	3/8"	1	25	250
L-159	3/8"	2	20	200

MC/AC & FLEX BOX CONNECTORS - STEEL

Connects aluminum or steel AC, MC and flexible MCAP cables to box or enclosure



Material: Steel

Certifications: UL Listed

Features: No locknut required. Simply tilt into the knockout and snap down for a secure connection. Dual-grip clamp provides grounding continuity and cable gripping. Insulator provides wire protection.

Notes: All wire sizes are AWG. Connectors listed for AC cable are suitable for AC-HCF. Connectors listed for MCAP are suitable for MCI-A HCF. Suitable as grounding means under the NEC 350-5 and for hazardous locations under NEC 501-4(b), Class I, Div. 2. MAFC-50 & MAFC-52 can also be used with MCAP®.

STANDARD

ITEM#	TRADE SIZE	INNER QTY	MASTER QTY
MAFC-50	1/2"	50	500
MAFC-75	3/4"	25	125

DUPLEX

ITEM#	TRADE SIZE	INNER QTY	MASTER QTY
MAFC-52	1/2"	25	125

CABLE TYPE	MAFC-50	MAFC-75	MAFC-52
AC STEEL	14/2 - 10/3	10/4 - 6/3	14/2 - 12/4
AC ALUMINUM	14/2 - 12/4	10/4 - 8/4	14/2 - 12/4
MC STEEL	14/2 - 12/4, 10/2	10/3 - 8/2	14/2 - 10/3
MC ALUMINUM INTERLOCKED	14/2 - 10/2	10/3 - 8/2	14/2 - 10/3
MC ALUMINUM	14/3, 14/4, 12/2, 12/3, 12/4 - 10/3		
FLEX	3/8" STEEL & ALUMINUM		
MCAP®	.500-.610, 12/4 - 10/4		.410-.590, 14/3 - 10/4

Notes: Bolded cable sizes are concrete-tight when taped and used with PVC jacketed cord

DOUBLE BITE SADDLE BOX CONNECTORS STRAIGHT - STEEL

Connects aluminum or steel AC, MC and flexible MCAP cables to box or enclosure



Material: Tubular Steel, Zinc Plated

Certifications: UL Listed, NEMA FB-1

Features: Dual gripping saddle clamps

Notes: MDB-38B thru MDB-100B can also be used with MCAP®.

ITEM#	TRADE SIZE	INNER QTY	MSTR. QTY	ITEM#	TRADE SIZE	INNER QTY	MSTR. QTY
MDB-38B	3/8"	25	100	MDB-200B	2"	N/A	5
MDB-50B	1/2"	25	100	MDB-250B	2-1/2"	N/A	4
MDB-75B	3/4"	10	50	MDB-300B	3"	N/A	4
MDB-100B	1"	5	25	MDB-350B	3-1/2"	N/A	2
MDB-125B	1-1/4"	5	25	MDB-400B	4"	N/A	2
MDB-150B	1-1/2"	2	10				

CABLE TYPE	MDB-38B	MDB-50B	MDB-75B	MDB-100B
AC STEEL	14/2 - 10/2	12/4 - 6/3	6/4 - 4/3	6/4 - 2/4
AC ALUMINUM	14/2 - 10/2	12/4 - 6/3	8/3 - 4/3	
MC STEEL INTERLOCKED	14/2 - 8/2	10/4 - 6/3	8/3 - 6/4	3/4
MC ALUMINUM INTERLOCKED	14/2 - 8/2	10/4 - 6/3	6/4 - 4/3	
FLEX	3/8" STEEL & ALUM.	1/2" STEEL & ALUM.	3/4" STEEL & ALUM.	1" STEEL & ALUM.
MCAP®	14/2 - 10/4	10/3 - 10/4, 8/4	8/4 - 6/4	6/4

BX/FLEX SET SCREW BOX CONNECTORS - ZINC

Connects BX/steel flex to box or enclosure



Material: Zinc Die-Cast

Certifications: UL Listed

ITEM#	TRADE SIZE	INNER QTY	MASTER QTY
L-58	3/8"	100	1000

DOUBLE BITE SADDLE BOX CONNECTORS ANGLED - MALLEABLE

Connects flex, AC, MC, & MCAP® cables to box or enclosure

Material: Malleable Iron, Zinc Plated
Certifications: UL Listed, NEMA FB-1
Features: Dual gripping saddle clamps



90° ANGLE

ITEM#	TRADE SIZE	INNER QTY	MASTER QTY
MDB-3890-B	3/8"	10	50
MDB-5090-B	1/2"	10	50
MDB-7590-B	3/4"	5	25
MDB-10090-B	1"	5	25

45° ANGLE

ITEM#	TRADE SIZE	INNER QTY	MASTER QTY
MDB-3845-B	3/8"	10	50
MDB-5045-B	1/2"	10	50
MDB-7545-B	3/4"	10	50

CABLE TYPE	MDB-38B	MDB-50B	MDB-75B	MDB-100B
AC STEEL	14/2 - 10/2	12/4 - 6/3	6/4 - 4/3	6/4 - 2/4
AC ALUMINUM	14/2 - 10/2	12/4 - 6/3	8/3 - 4/3	
MC STEEL INTERLOCKED	14/2 - 8/2	10/4 - 6/3	8/3 - 6/4	3/4
MC ALUMINUM INTERLOCKED	14/2 - 8/2	10/4 - 6/3	6/4 - 4/3	
FLEX	3/8" STEEL & ALUM.	1/2" STEEL & ALUM.	3/4" STEEL & ALUM.	1" STEEL & ALUM.
MCAP®	14/2 - 10/4	10/3 - 10/4, 8/4	8/4 - 6/4	6/4

All wire sizes are AWG.

DOUBLE BITE SADDLE SET SCREW COUPLINGS - STEEL

Connects flex, AC & MC cables to EMT conduit

- Material:** Tubular Steel, Zinc Plated
Certifications: UL Listed, NEMA FB-1
Features: Dual gripping saddle clamps



ITEM#	TRADE SIZE	INNER QTY	MASTER QTY
MDBS-38	3/8"	50	250
MDBS-50	1/2"	25	125
MDBS-75	3/4"	10	100

DOUBLE BITE SADDLE COMPRESSION COUPLINGS STEEL

Connects flex, AC & MC cables to EMT conduit

- Material:** Tubular Steel, Zinc Plated
Certifications: UL Listed, NEMA FB-1
Features: Dual gripping saddle clamps



ITEM#	TRADE SIZE	INNER QTY	MASTER QTY
MDBC-38	3/8"	25	125
MDBC-50	1/2"	25	125
MDBC-75	3/4"	20	100

COMBINATION COMPRESSION COUPLINGS - EMT TO FLEX

Connects EMT to flexible metal conduit

- Material:** Zinc Die-cast
Certifications: UL Listed
Features: Compression end for EMT, screw-in end for flex



ITEM#	TRADE SIZE	INNER QTY	MASTER QTY
L-49-1	1/2"	50	500
L-49-2	3/4"	25	250

SCREW-IN COUPLINGS ZINC

Connects two lengths of flexible metal conduit

Material: Zinc Die-Cast
Certifications: UL Listed



ITEM#	TRADE SIZE	INNER QTY	MSTR. QTY	ITEM#	TRADE SIZE	INNER QTY	MSTR. QTY
L-45-1	1/2"	50	500	L-45-4	1-1/4"	10	100
L-45-2	3/4"	25	250	L-45-5	1-1/2"	10	40
L-45-3	1"	25	250	L-45-6	2"	5	20

COMBINATION COUPLINGS EMT TO FLEX

Connects EMT to flexible metal conduit

Material: Zinc Die-Cast
Certifications: UL Listed (except L-153)



ITEM#	TRADE SIZE	INNER QTY	MASTER QTY
L-153	1/2"	50	500
L-153-1	1/2"	25	250
L-153-2	3/4"	25	125

ANTI-SHORT BUSHINGS

Place between wire and armored sheath to prevent damage to wire insulation

Material: Non-Metallic
Certifications: UL Listed
Features: Suitable for installation at temperatures as low as -40°C
Color: Bright Red



BAG					BULK			
ITEM#	TRADE SIZE	PC PER BAG	INNER QTY	MSTR. QTY	ITEM#	TRADE SIZE	INNER QTY	MSTR. QTY
3010	#0	35	N/A	20	3010-B	#0	N/A	60000
3011	#1	35	N/A	20	3011-B	#1	N/A	50000
3012	#2	35	N/A	10	3012-B	#2	N/A	25000
3013	#3	20	N/A	10				
3014	#4	16	N/A	10				



The perfect choice for flat screen TV applications and home theater centers.

- Largest volume offered in device boxes
- Heavy duty mounting screws supplied
- Vertical and horizontal mounting
- UL approved for single screw mounting, extra support bar not required.

SmartBoxTM



66

nm fittings & supports



From metal to plastic, and locknut to snap-in, Madison offers you everything you could want in non-metallic fittings and supports. With multiple styles and sizes, Madison has what you need for any project. Quality constructed, our entire offering of fittings and supports install with ease, saving you time and money. From the journeyman electrician to the weekend handyman, Madison non-metallic fittings and supports give you craftsmanship and affordability you can count on.

ME



MEproducts.net

TILT-IN CABLE BOX CONNECTORS - STEEL

Connects ROMEX® or non-metallic sheathed cable to box or enclosure

Material: Steel, Zinc Electroplated

Notes: Locknut not required



ITEM#	TRADE SIZE	INNER QTY	MASTER QTY
L-15	1/2"	100	500
L-16	3/4"	50	250
L-17	1-1/4"	25	125
L-18	1-1/2"	N/A	25

TWO-SCREW BOX CONNECTORS - ZINC

Connects 14/2 to 10/3 armored ROMEX® or non-metallic sheathed cable to box or enclosure

Material: Zinc Die-Cast

Certifications: UL Listed

Notes: L-51 NM cable: (2) 14/2, (1) 12/2,

L-57: AC cable: (FE) 14/2-10/2, .46 min x .598 max AC cable



ITEM#	TRADE SIZE	INNER QTY	MASTER QTY
L-51	1/2"	25	250
L-57	1/2"	20	100

NON-WATERTITE CONNECTORS - ZINC

Connects ROMEX® or non-metallic sheathed cable to box or enclosure

Material: Zinc Die-Cast

Certifications: UL Listed (except L-108)



ITEM#	TRADE SIZE	INNER QTY	MASTER QTY
L-104	3/4"	50	500
L-105	1"	25	250
L-106	1-1/4"	10	100
L-107	1-1/2"	5	50
L-108	2"	10	40

NON-WATERTITE CONNECTORS - ZINC

Connects ROMEX® or non-metallic sheathed cable to box or enclosure

Material: Zinc Die-Cast

Certifications: UL Listed (except L-1108-R)



OVAL				ROUND			
ITEM#	TRADE SIZE	INNER QTY	MSTR. QTY	ITEM#	TRADE SIZE	INNER QTY	MSTR. QTY
L-1106	1-1/4"	10	100	L-1106-R	1-1/4"	10	100
L-1107	1-1/2"	0	25	L-1107-R	1-1/2"	0	25
L-1108	2"	5	25	L-1108-R	2"	5	25

SNAP-IN CONNECTOR PLASTIC

Connects ROMEX® or non-metallic sheathed cable to box or enclosure

Material: Thermoplastic

Certifications: UL Listed

Features: Heavy duty



ITEM#	TRADE SIZE	INNER QTY	MASTER QTY
LNM-51	1/2"	100	1000

BUSHINGS

Converts raw-edged holes to smooth neat insulated openings for cable protection

Material: 6/6 Nylon

Features: Snaps in with fingertip pressure.



ITEM#	TRADE SIZE	INNER QTY	MASTER QTY
170	1/2"	50	500
171	3/4"	50	500
172	1"	25	250
173	1-1/4"	25	250
174	1-1/2"	25	250
175	2"	5	50
176	2-1/2"	5	50

PVC SNAP-IN CONNECTOR

Connects ROMEX® or non-metallic sheathed cable to metal box or enclosure

Material: PVC

Certifications: UL Listed

Features: Accepts (1) 6/3 to 8/3, (2) 12/3 to 8/2

Notes: Maximum service temperature 105° C



ITEM#	TRADE SIZE	INNER QTY	MASTER QTY
ME-3202	3/4"	25	250

PLASTIC SNAP-IN CONNECTOR

Connects ROMEX® or non-metallic sheathed cable and flexible cord to metal box or enclosure

Material: Thermoplastic

Certifications: UL Listed

Features: Cord Capacity .125 - .300 Diameter

Notes: Cable range (1) 14/2 to (1) 10/2 NM



ITEM#	TRADE SIZE	KNOCK OUT	INNER QTY	MASTER QTY
ME-3300	3/4"	1/2"	100	500

CABLE CONNECTOR PLASTIC

Connects ROMEX® or non-metallic sheathed cable to metal box or enclosure

Material: Thermoplastic

Certifications: UL Listed

Features: Easy snap-in design

Notes: For (1) 14/2 or 14/3; 12/2 or 12/3; 10/2



ITEM#	TRADE SIZE	INNER QTY	MASTER QTY
1200	1/2"	100	1000

DUPLEX CABLE CONNECTOR PLASTIC

Connects 2 ROMEX® or non-metallic sheathed cable to metal box or enclosure



- Material:** Thermoplastic
Certifications: UL Listed
Features: Easy snap-in design
Notes: For (2) 14/2 OR 12/2



ITEM#	TRADE SIZE	INNER QTY	MASTER QTY
1201	3/4"	25	250

CABLE CONNECTOR PLASTIC

Connects ROMEX® or non-metallic sheathed cable to metal box or enclosure



- Material:** Thermoplastic
Certifications: UL Listed
Features: Easy snap-in design
Notes: For (1) 14/3; 12/3; 10/3; 8/3; 6/3



ITEM#	TRADE SIZE	INNER QTY	MASTER QTY
1202	3/4"	50	250

NON-METALLIC 1-HOLE CABLE STRAPS

Secures ROMEX® or non-metallic sheathed cable to wood or masonry



- Material:** Cold Rolled Steel, Zinc Plated
Notes: Wire sizes #14, #12, and #10, in 2 or 3 conductor, with or without ground. Also 14 in UF.

ITEM#	INNER QTY	MASTER QTY
134-1	100	1000
134-5	500	2500

INSULATED CABLE STAPLE

Secures and protects non-metallic BX, MC, AC & UF cable

Material: Steel Nail, Plastic Insulator

Features: Plastic insulator protects cable

Notes: Accepts non-metallic sheathed cable



ITEM#	TRADE SIZE	CABLE RANGE	INNER QTY	MASTER QTY
30V-2	1/2" x 1"	#14/2 OR #12/2	500	5000

INSULATED CABLE STAPLE 2 NAIL

Secures ROMEX® or non-metallic sheathed cable to wood surface

Material: Steel Nail, Plastic Insulator

Features: Plastic insulator protects cable.

Nails drive together to keep wood from splitting.



ITEM#	CABLE RANGE	INNER QTY	MASTER QTY
20W-1	#14/2 OR #12/2 W/GROUND OR 1/2" CABLE	100	2500
20W-5	#14/2 OR #12/2 W/GROUND OR 1/2" CABLE	500	2500
30W-5	#14/3 OR #12/3 - #10/3 W/GROUND OR 3/4" CABLE	N/A	500
30W-50	#14/3 OR #12/3 - #10/3 W/GROUND OR 3/4" CABLE	50	1000

STAPLES

Secures ROMEX® or non-metallic sheathed cable to wood surface

Material: Steel Wire

Features: Flat, indented head, for #14/2 or #12/2 with ground non-metallic sheathed cable.

Notes: M suffix denotes pail pack.



ITEM#	TRADE SIZE	INNER QTY	MASTER QTY
30-1	1/2" x 1"	100	5000
30-5	1/2" x 1"	500	5000
30-5M	1/2" x 1"	N/A	5000

ROMEX®/BX STAPLES

Secures ROMEX® or non-metallic sheathed cable, BX and flexible conduit to wood or masonry



Material: Steel Wire

Features: Flat indented head, for #14/3 - #12/3 and 10/3 non-metallic sheathed cable BX, or 3/8" flex

Notes: M suffix denotes pail pack

ITEM#	TRADE SIZE	INNER QTY	MASTER QTY
31-1	9/16" x 1-1/4"	100	5000
31-5	9/16" x 1-1/4"	500	5000
31-5M	9/16" x 1-1/4"	N/A	5000

SERVICE ENTRANCE STAPLES

Secures ROMEX® or non-metallic sheathed cable, BX and flexible conduit to wood or masonry



Material: Steel Wire

Features: Pointed offset to drive in straight

ITEM#	TRADE SIZE	CABLE RANGE	INNER QTY	MASTER QTY
32-1	3/4" x 1-5/16"	#6/3 SEU	100	1000
34-1	1" x 1"	#2/3 SEU	100	1000
36-1	1-5/8" x 2-1/8"	#4/0 SE	100	500

74

portable cord fittings



No matter what type of portable cable you are using, Madison has the fitting for you. Produced to meet strict UL standards, Madison portable cord fittings use the highest quality materials to give you a tight fit every time. Loosing time and money because your fittings are low quality and just do not fit correctly is now a thing of the past. No matter your cord type or size Madison gives you the right fit when you need it most.

ME



CORD GRIPS - STEEL

Secures & seals cords or cables entering enclosures or raceways

Material: Steel, Zinc Plated, Neoprene Grommet

Certifications: UL Listed, Federal Spec. W-F-406E

Features: 105° C temperature rating

ITEM#	TRADE SIZE	INNER QTY	MASTER QTY	CABLE RANGE MIN.	CABLE RANGE MAX.
MCG-50A250	1/2"	25	100	.150	.250
MCG-50A350	1/2"	25	100	.250	.350
MCG-50A450	1/2"	25	100	.350	.450
MCG-50A560	1/2"	25	100	.450	.560
MCG-50A650	1/2"	25	100	.560	.650
MCG-75A250	3/4"	10	50	.150	.250
MCG-75A350	3/4"	10	50	.250	.350
MCG-75A450	3/4"	10	50	.350	.450
MCG-75A560	3/4"	10	50	.450	.560
MCG-75A650	3/4"	10	50	.560	.650
MCG-75B750	3/4"	10	50	.650	.750
MCG-75B850	3/4"	10	50	.750	.850
MCG-100B560	1"	5	25	.450	.560
MCG-100B650	1"	5	25	.560	.650
MCG-100B750	1"	5	25	.650	.750

PORTABLE CORD FITTINGS



FOR TYPES S, SO, ST & STO	FOR TYPES SJ, STO, SJT, SJTO, SVO & BUS DROP
	18-2, 18-3 SVO
	18-2, 18-3 SJT, 18-2, 18-3, 18-4 SJO, 16-2, 16-3 SJO
18-2, 18-3, 18-4, 16-2, 16-3, 16-4	16-4 SJO 14-2, 14-3, 14-4 SJO 12-2 SJO 14-3 Bus Drop
18-5, 18-6, 18-7, 16-5, 16-6, 14-2, 14-3	12-3 SJO, 12-3, 10-3 Bus Drop
18-8, 18-10, 16-7, 16-8, 14-4, 12-2, 12-3, 10-2	
	18-2, 18-3 SVO
	18-2, 18-3 SJT 18-2, 18-3, 18-4 SJO 16-2, 16-3 SJO
18-2, 18-3, 18-4, 16-2, 16-3, 16-4	16-4 SJO 14-2, 14-3, 14-4 SJO 12-2 SJO 14-3 Bus Drop
18-5, 18-6, 18-7, 16-5, 16-6, 14-2, 14-3	12-3 SJO, 12-3, 10-3 Bus Drop
18-8, 18-10, 16-7, 16-8, 14-4, 12-2, 12-3, 10-2	
18-12, 18-14, 16-10, 16-12, 14-5, 14-6, 14-7, 12-4, 12-5, 10-3, 10-4, 8-2	8-3 Bus Drop
18-16, 18-20, 16-14, 16-16, 16-18, 14-8 12-6, 12-7, 12-8, 10-5, 8-3, 8-4, 6-2	6-3 Bus Drop
18-5, 18-6, 18-7, 16-5, 16-6, 14-2, 14-3	12-3 SJO, 12-3, 10-3 Bus Drop
18-8, 18-10, 16-7, 16-8, 14-4, 12-2, 12-3, 10-2	
18-2, 18-14, 16-10, 16-12, 14-5, 14-6, 14-7, 12-4, 12-5, 10-3, 10-4, 8-2	8-3 Bus Drop

CONTINUED ON NEXT PAGE

CORD GRIPS - STEEL (continued)

Secures & seals cords or cables entering enclosures or raceways

Material: Steel, Zinc Plated, Neoprene Grommet

Certifications: UL Listed, Federal Spec. W-F-406E

Features: 105° C temperature rating

ITEM#	TRADE SIZE	INNER QTY	MASTER QTY	CABLE RANGE MIN.	CABLE RANGE MAX.
MCG-100B850	1"	5	25	.750	.850
MCG-100C950	1"	5	25	.850	.950
MCG-100C1050	1"	5	25	.950	1.050
MCG-125C850	1-1/4"	5	25	.750	.850
MCG-125C950	1-1/4"	5	25	.850	.950
MCG-125D1050	1-1/4"	5	25	.950	1.050
MCG-125D1150	1-1/4"	5	25	1.050	1.150
MCG-125D1250	1-1/4"	5	25	1.150	1.250
MCG-125D1375	1-1/4"	5	25	1.250	1.375
MCG-150D1050	1-1/2"	2	10	.950	1.050
MCG-150D1150	1-1/2"	2	10	1.050	1.150
MCG-150D1250	1-1/2"	2	10	1.150	1.250
MCG-150D1375	1-1/2"	2	10	1.250	1.375

CORD GRIPS - NON-METALLIC

Material: Fiberglass Reinforced Nylon

Certifications: UL Listed

Features: Neoprene gland. Liquid-tight for round cable. Includes locknut.



ITEM#	TRADE SIZE	INNER QTY	MASTER QTY
MNPT-50	1/2"	50	250
MNPT-75	3/4"	25	125

PORTABLE CORD FITTINGS



FOR TYPES S, SO, ST & STO	FOR TYPES SJ, STO, SJT, SJTO, SVO & BUS DROP
18-16, 18-18, 18-20, 16-14, 16-16, 16-18, 14-8, 12-6, 12-7, 12-8, 10-5, 8-3, 8-4, 6-2	6-3 Bus Drop
18-22, 18-24, 18-26, 16-20, 16-22, 16-24 14-10, 14-12, 10-6, 10-7, 10-8, 6-3, 6-4	4-3 Bus Drop
18-30, 16-26, 14-14, 14-16, 12-10, 4-3	
18-16, 18-18, 18-20, 16-14, 16-16, 16-18, 14-8, 12-6, 12-7, 12-8, 10-5, 8-3, 8-4, 6-2	6-3 Bus Drop
18-22, 18-24, 18-26, 16-20, 16-22, 16-24, 14-10, 14-12, 10-6, 10-7, 10-8, 6-3, 6-4	4-3 Bus Drop
18-30, 16-26, 14-14, 14-16, 12-10, 4-3	
18-36, 18-40, 16-30, 16-36, 14-18, 14-20 12-12, 12-14, 10-10, 4-4	2-3 Bus Drop
16-40, 14-22, 12-16, 12-18, 10-12, 10-14, 2-3	
14-24, 14-26, 14-30, 12-20, 10-16, 2-4	
18-30, 16-26, 14-14, 14-16, 12-10, 4-3	
18-36, 18-40, 16-30, 16-36, 14-18, 14-20, 12-12, 12-14, 10-10, 4-4	2-3 Bus Drop
16-40, 14-22, 12-16, 12-18, 10-12, 10-14, 2-3	
14-24, 14-26, 14-30, 12-20, 10-16, 2-4	

MORE ON PREVIOUS PAGE

80

grounding, bonding & splicing



Everyone knows how important grounding, bonding and splicing are. Madison's extensive line of quality grounding, bonding and splicing products prove that we understand it as well. We offer an array of UL listed products, ensuring that no matter what conductor size, Madison has what you need to meet all of your grounding, bonding or splicing needs.

ME



MEproducts.net

OXIDE INHIBITOR

Eliminates binding and aluminum oxide formation for all AL/AL - AL/CU wire connections and aluminum conduit thread joints

Size: 4oz.



ITEM#	INNER QTY	MASTER QTY
B-85-4	1	12

GROUND CLAMPS

Connects bare copper wire to water pipe, ground rod or copper metal tubing for grounding

Material: As noted below

Certifications: UL Listed

(except L-160-C, L-160-BS and L-180-2BS)

Notes: L-160-DB is suitable for direct burial



ITEM#	TRADE SIZE	CLAMP/SCREWS	BARE COPPER GROUND WIRE	INNER QTY	MSTR QTY
L-160	1/2" - 1"	ZINC / STEEL	#8 SLD - #2 STR	25	125
L-160-C	1/2" - 1"	ZINC-BRONZE PLATED / STEEL	#8 SLD - #2 STR	25	125
L-160-B	1/2" - 1"	BRONZE / BRONZE	#10 SLD - #2 STR	25	125
L-160-BS	1/2" - 1"	BRONZE / BRASS	#10 SLD - #2 STR	25	125
L-160-DB	1/2" - 1"	BRONZE / BRONZE	#10 SLD - #2 STR	25	125
L-180-2B	1-1/4" - 2"	BRONZE / STEEL	#10 SLD - #2 STR	5	50
L-180-2BS	1-1/4" - 2"	BRONZE / BRONZE	#10 SLD - #2 STR	5	50
L-184	2-1/2" - 4"	BRONZE / STEEL	#10 SLD - #2 STR	0	5

ARMORED GROUND CLAMPS

Connects armored cable to water pipe for grounding

Material: Zinc-Bronze Clamp, Plated Steel Screws

Features: 2 screw design for armored ground wire



ITEM#	TRADE SIZE	BARE COPPER GROUND WIRE	INNER QTY	MASTER QTY
L-163	1/2" - 1"	#8 SLD - #4 STR	25	250

GROUND CLAMP HUBS

Connects a ground conductor in rigid conduit to water pipe for grounding

Material: Bronze Clamp, Steel Screws

Certifications: UL Listed

Notes: For use with wire sizes #8 solid - #4 stranded



STANDARD

ITEM#	TRADE SIZE	CONDUIT HUB	INNER QTY	MASTER QTY
L-162-B	1/2" - 1"	1/2"	25	125
L-182-B	1-1/4" - 2"	1/2"	5	50

WITH STRAP

ITEM#	TRADE SIZE	CONDUIT HUB	INNER QTY	MASTER QTY
L-160-1BH	1/2" - 1"	1/2"	5	25
L-160-2BH	1/2" - 1"	3/4"	5	25
L-160-3BH	1/2" - 1"	1"	5	25

GROUND ROD CLAMPS

For terminating a bare copper conductor to a ground rod

Material: Bronze Clamp

Certifications: UL Listed

Features: Suitable for direct burial

Notes: Hex head bolt with 3/8 - 16 bolt thread.

Conductor range #10 solid - #2 stranded.

Also listed for use with rebar.



ITEM#	TRADE SIZE	INNER QTY	MASTER QTY
GRC-1	1/2"	50	500
GRC-2	5/8"	50	250
GRC-3	3/4"	50	250

GROUND STRAPS

Provides grounding termination points in load centers and other enclosures

Material: Copper Plated Screw & Nut



ITEM#	TRADE SIZE	INNER QTY	MASTER QTY
GS-1	3/8" - 1"	N/A	100

SPLIT BOLT CONNECTORS SILICON BRONZE

Used for electrical splicing and tapping

Material: Silicon Bronze

Certifications: UL Listed for copper conductors only

Notes: For use with 2 conductors only,
direct burial and rebar.

*Not approved for grounding, bonding, direct burial



ITEM#	CONDUCTOR RANGE	INNER QTY	MASTER QTY
SB-8	#16 STR - #8 STR	25	200
SB-6	#10 SLD - #6 SLD	25	200
SB-4	#8 SLD - #4 SLD	25	200
SB-3	#6 SLD - #2 SLD	10	80
SB-2	#6 SLD - #2 STR	10	80
SB-1/0	#4 SLD - 1/0 STR	10	80
SB-2/0	#2 SLD - 2/0 STR	5	40
SB-3/0	#2 SLD - 3/0 STR	5	40
SB-4/0	1/0 SLD - 250 MCM	10	100
SB-350	4/0 STR - 350 MCM	1	8
SB-500	250 MCM - 500 MCM	1	8
SB-750*	350 MCM - 750 MCM	1	8
SB-1000*	500 MCM - 1000 MCM	1	10

SPLIT BOLT CONNECTORS ALUMINUM ALLOY

Used for electrical splicing and tapping

Material: Aluminum Alloyed-Bodied,
Electro-Tin Plated

Certifications: UL Listed, Dual rated for
aluminum and copper conductor combos

Notes: Use Oxide-inhibitor compound when connecting
Aluminum to ACSR or Aluminum to Copper wires.



ITEM#	CONDUCTOR RANGE	INNER QTY	MASTER QTY
ASBC-1/0	#6 SLD - 1/0 STR	10	80
ASBC-2/0	#2 SLD - 2/0 STR	5	40
ASBC-4/0	1/0 STR - 250 MCM	10	100
ASBC-350	2/0 STR - 350 MCM	1	8
ASBC-500	3/0 STR - 500 MCM	1	8

SPLIT BOLT CONNECTORS COPPER ALLOY

Used for electrical splicing and tapping

Material: Copper Alloyed-Bodied,
Electro-Tin Plated

Certifications: UL Listed for copper to
copper conductors only.

*UL Listed for aluminum to aluminum, copper
to aluminum, and copper to copper conductors.

Notes: Use Oxide-inhibitor compound when connecting
Aluminum to ACSR or Aluminum to Copper wires.



ITEM#	CONDUCTOR RANGE	INNER QTY	MASTER QTY
ASB-10*	#16 STR - #10 STR	25	200
ASB-8*	#16 STR - #8 STR	25	200
ASB-6*	#14 STR - #8 STR	25	200
ASB-4	#10 STR - #6 STR	25	200
ASB-3	#8 SLD - #3 STR	10	80
ASB-2	#8 SLD - #2 STR	10	80
ASB-1/0	#6 SLD - 1/0 STR	5	40
ASB-2/0	#6 STR - 2/0 STR	5	40
ASB-3/0	#4 STR - 3/0 STR	10	100
ASB-4/0	#4 STR - 250 MCM	25	200
ASB-350*	3/0 STR - 350 MCM	1	8
ASB-500*	3/0 STR - 500 MCM	1	8
ASB-750*	250 MCM - 750 MCM	1	8
ASB-1000*	350 MCM - 1000 MCM	1	10

SPLICER- REDUCER ALUMINUM

Splices two cables of equal or different sizes

Material: Aluminum Alloy,
Electro-Tin Plated

Certifications: UL Listed for copper or
aluminum conductors

Notes: Use with Oxide-inhibitor compound



ITEM#	CONDUCTOR RANGE	INNER QTY	MASTER QTY
ASR-1/0	#14 - #2	5	40
ASR-2	#14 - 1/0	5	40
ASR-250	#6 - 250 MCM	2	20

NEW

INLINE INTERSYSTEM BONDING BRIDGE

Provides a dependable method for grounding and bonding for electrical systems

Material: Zinc Die Cast

Certifications: cULus Listed

Features: Easy installation. When used with conduit, it provides protection against damage and theft of the main ground. Main ground conductor is isolated from communications lines. Incorporates six (6) terminating points (2x the amount required by the NEC). Eliminates creating holes in building that could allow ingress of water. Mounts to enclosures, conduit bodies, and inline with conduit. Gangable.



ITEM#	TRADE SIZE	INNER QTY	MASTER QTY
MEIBB	1/2"	N/A	6

INTERSYSTEM BONDING BRIDGE

Terminates utility grounding conductors such as power, telephones, cable, etc.

Material: Tin-plated Aluminum, Polycarbonate

Certifications: Meets requirements of 2008 NEC Article 250.94

Features: Connects directly to the grounding electrode with a lay-in style lug. Integrated mounting holes provide quick, easy and compact installation. Constructed of corrosion resistant aluminum and tin-plated for maximum conductivity. Paintable polycarbonate cover for additional protection.



ITEM#	INNER QTY	MASTER QTY
MIBB	1	10

SINGLE SOLDERLESS LUGS COPPER

Connects cable to equipment pads or bar

Material: Electrolytic Copper, Rated 600V

Certifications: UL Listed for copper conductors only

Features: V-bottom collar assures positive contact and firm, permanent grip



ITEM#	CONDUCTOR RANGE	INNER QTY	MASTER QTY
SL-25	#10 - #14	50	400
SL-35	#6 - #14	50	400
SL-70	#4 - #14	25	200
SL-709	#8 - #2	25	200
SL-125	1/0 - #6	10	80
SL-175	#4 - 3/0	5	40
SL-225	#2 - 4/0	5	40
SL-300	1/0 - 350 MCM	2	16
SL-400	1/0 - 500 MCM	5	50
SL-650	600 MCM - 1000 MCM	1	10

SINGLE TERMINAL LUGS COPPER

Connects cable to equipment pads or terminal block

Material: Bronze

Certifications: UL Listed for copper conductors only

Notes: Use with Oxide-inhibitor compound



ITEM#	CONDUCTOR RANGE	INNER QTY	MASTER QTY
TL-8	#14 SLD - #8 STR	25	200
TL-4	#14 SLD - #4 STR	25	200
TL-1/0	#4 SLD - 1/0 STR	10	80
TL-250	1/0 STR - 250 MCM	5	40

SINGLE TERMINAL LUGS ALUMINUM

Terminates cable inside enclosure

Material: Aluminum Alloy,
Electro-Tin Plated

Certifications: UL Listed for copper or aluminum conductors

Notes: Use with Oxide-inhibitor compound



ITEM#	CONDUCTOR RANGE	INNER QTY	MASTER QTY
TLA-6	#4 - #6	52	200
TLA-2	#14 - #2	25	200
TLA-1/0	#14 - 1/0	10	80
TLA-2/0	#14 - 2/0	10	80
TLA-250	#6 - 250 MCM	5	40

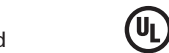
DOUBLE TERMINAL LUGS ALUMINUM

Terminates cable inside enclosure

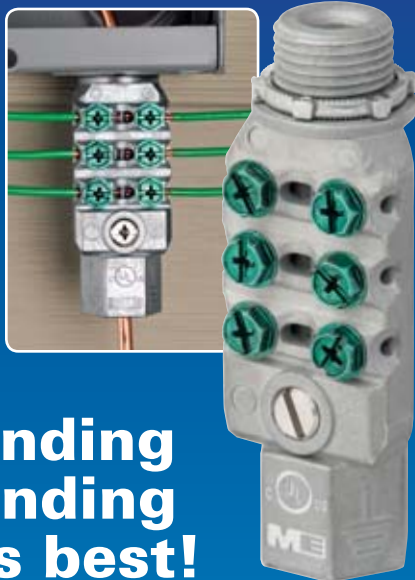
Material: Aluminum Alloy,
Electro-Tin Plated

Certifications: UL Listed for copper or
aluminum conductors

Notes: Use with Oxide-inhibitor compound



ITEM#	CONDUCTOR RANGE	INNER QTY	MASTER QTY
TDLA-1/0	#14 SLD - 1/0 STR	5	40
TDLA-250	#6 STR - 250 MCM	5	40



Grounding & Bonding at it's best!

Our new Inline Intersystem Bonding Bridge will change the way you bond your intersystem bonding conductors. It provides a dependable method for grounding and bonding for electrical systems. When used with conduit, it provides protection against damage and theft of the main ground.

- Incorporates six (6) terminating points (2x the amount required by the NEC)
- Main ground conductor is isolated from communications lines
- Mounts to enclosures, conduit bodies, and inline with conduit
- Gangable

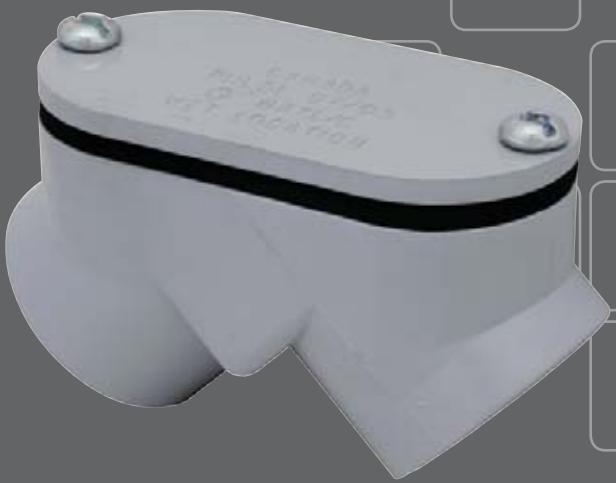
Inline Intersystem Bonding Bridge

90

pvc fittings



Not all PVC fittings are created equal. Use Madison's PVC fittings once and you will understand why. Made from quality materials and UL tested, our PVC fittings perform every time. With a wide array of products, Madison has the size and shape you need. No matter what the project is, choose Madison PVC fittings for superiority and affordability.



PVC EXPANSION JOINTS

Allows for expansion and contraction in PVC conduit runs



Material: PVC

Certifications: UL Listed (except for PEJ-500)

Notes: Schedule 40



ITEM#	TRADE SIZE	MAX LENGTH	MIN LENGTH	INNER QTY	MASTER QTY
PEJ-50	1/2"	12"	8"	N/A	25
PEJ-75	3/4"	12"	8"	N/A	25
PEJ-100	1"	12-1/2"	8-1/2"	N/A	40
PEJ-125	1-1/4"	13"	9"	N/A	20
PEJ-150	1-1/2"	13"	9"	N/A	20
PEJ-200	2"	13-1/4"	9-1/4"	N/A	10
PEJ-250	2-1/2"	22-1/4"	14-1/4"	N/A	9
PEJ-300	3"	22-1/4"	14-1/4"	N/A	9
PEJ-350	3-1/2"	22-7/8"	14-7/8"	N/A	5
PEJ-400	4"	22-7/8"	14-7/8"	N/A	5
PEJ-500	5"	34"	26"	N/A	1

PVC ELBOWS - 90°

Provides a 90° change in direction in a conduit run



Material: PVC

Certifications: UL Listed

Features: Schedule 40. Standard radius.



ITEM#	TRADE SIZE	INNER QTY	MSTR. QTY	ITEM#	TRADE SIZE	INNER QTY	MSTR. QTY
PVC-5090	1/2"	N/A	40	PVC-25090	2-1/2"	N/A	1
PVC-7590	3/4"	N/A	40	PVC-30090	3"	N/A	1
PVC-10090	1"	N/A	50	PVC-35090	3-1/2"	N/A	1
PVC-12590	1-1/4"	N/A	25	PVC-40090	4"	N/A	1
PVC-15090	1-1/2"	N/A	20	PVC-50090	5"	N/A	1
PVC-20090	2"	N/A	15	PVC-60090	6"	N/A	1

PVC ELBOWS - 45°

Provides a 45° change in direction in a conduit run



Material: PVC

Certifications: UL Listed

Features: Schedule 40. Standard radius.



ITEM#	TRADE SIZE	INNER QTY	MSTR. QTY	ITEM#	TRADE SIZE	INNER QTY	MSTR. QTY
PVC-5045	1/2"	N/A	100	PVC-25045	2-1/2"	N/A	20
PVC-7545	3/4"	N/A	50	PVC-30045	3"	N/A	1
PVC-10045	1"	N/A	50	PVC-35045	3-1/2"	N/A	1
PVC-12545	1-1/4"	N/A	35	PVC-40045	4"	N/A	1
PVC-15045	1-1/2"	N/A	20	PVC-50045	5"	N/A	1
PVC-20045	2"	N/A	15	PVC-60045	6"	N/A	1

PVC ELBOWS - 30°

Provides a 30° change in direction in a conduit run



Material: PVC

Certifications: UL Listed

Features: Schedule 40. Standard radius.



ITEM#	TRADE SIZE	INNER QTY	MSTR. QTY	ITEM#	TRADE SIZE	INNER QTY	MSTR. QTY
PVC-5030	1/2"	N/A	50	PVC-25030	2-1/2"	N/A	20
PVC-7530	3/4"	N/A	50	PVC-30030	3"	N/A	30
PVC-10030	1"	N/A	50	PVC-35030	3-1/2"	N/A	1
PVC-12530	1-1/4"	N/A	35	PVC-40030	4"	N/A	12
PVC-15030	1-1/2"	N/A	20	PVC-50030	5"	N/A	1
PVC-20030	2"	N/A	15	PVC-60030	6"	N/A	1

PVC ELBOWS - 90° SCHEDULE 80

Provides a 90° change in direction
in a conduit run

Material: PVC

Certifications: UL Listed

Features: Schedule 80. Standard radius.



ITEM#	TRADE SIZE	INNER QTY	MSTR. QTY	ITEM#	TRADE SIZE	INNER QTY	MSTR. QTY
PVC-509080	1/2"	N/A	50	PVC-2009080	2-1/2"	N/A	15
PVC-759080	3/4"	N/A	40	PVC-2509080	3"	N/A	1
PVC-1009080	1"	N/A	50	PVC-3009080	3-1/2"	N/A	1
PVC-1259080	1-1/4"	N/A	25	PVC-4009080	4"	N/A	1
PVC-1509080	2"	N/A	20				

PVC ELBOWS - 45° SCHEDULE 80

Provides a 45° change in direction
in a conduit run

Material: PVC

Certifications: UL Listed

Features: Schedule 80. Standard radius.



ITEM#	TRADE SIZE	INNER QTY	MSTR. QTY	ITEM#	TRADE SIZE	INNER QTY	MSTR. QTY
PVC-504580	1/2"	N/A	100	PVC-2004580	2-1/2"	N/A	15
PVC-754580	3/4"	N/A	50	PVC-2504580	3"	N/A	1
PVC-1004580	1"	N/A	50	PVC-3004580	3-1/2"	N/A	1
PVC-1254580	1-1/4"	N/A	35	PVC-4004580	4"	N/A	1
PVC-1504580	2"	N/A	20				

PVC ELBOWS - 90° SCHEDULE 40 SPECIAL RADIUS

Provides a 90° change in direction in a conduit run

Material: PVC

Certifications: UL Listed

Notes: Special radius elbow orders are non-cancelable and non-returnable



ITEM#	TRADE SIZE	RADIUS	INNER QTY	MASTER QTY
PVC-1509036	1-1/2"	36"	N/A	1
PVC-1509048	1-1/2"	48"	N/A	1
PVC-2009024	2"	24"	N/A	1
PVC-2009036	2"	36"	N/A	1
PVC-2009048	2"	48"	N/A	1
PVC-2509024	2-1/2"	24"	N/A	1
PVC-2509036	2-1/2"	36"	N/A	1
PVC-2509048	2-1/2"	48"	N/A	1
PVC-3009024	3"	24"	N/A	1
PVC-3009036	3"	36"	N/A	1
PVC-3009048	3"	48"	N/A	1
PVC-3509024	3-1/2"	24"	N/A	1
PVC-3509036	3-1/2"	36"	N/A	1
PVC-3509048	3-1/2"	48"	N/A	1
PVC-4009024	4"	24"	N/A	1
PVC-4009036	4"	36"	N/A	1
PVC-4009048	4"	48"	N/A	1
PVC-5009036	5"	36"	N/A	1
PVC-5009048	5"	48"	N/A	1
PVC-6009036	6"	36"	N/A	1
PVC-6009048	6"	48"	N/A	1

PVC ELBOWS - 90° SCHEDULE 80 SPECIAL RADIUS



Provides a 90° change in direction in a conduit run

Material: PVC

Certifications: UL Listed

Notes: Special radius elbow orders are non-cancelable and non-returnable



ITEM#	TRADE SIZE	RADIUS	INNER QTY	MASTER QTY
PVC-20090248	2"	24"	N/A	1
PVC-20090368	2"	36"	N/A	1
PVC-20090488	2"	48"	N/A	1
PVC-25090248	2-1/2"	24"	N/A	1
PVC-25090368	2-1/2"	36"	N/A	1
PVC-30090248	3"	24"	N/A	1
PVC-30090368	3"	36"	N/A	1
PVC-30090488	3"	48"	N/A	1
PVC-40090248	4"	24"	N/A	1
PVC-40090368	4"	36"	N/A	1
PVC-40090488	4"	48"	N/A	1
PVC-50090488	5"	48"	N/A	1

PVC ELBOWS - 90° BELL END

Provides a 90° change in direction in a conduit run



Material: PVC

ITEM#	TRADE SIZE	INNER QTY	MSTR. QTY	ITEM#	TRADE SIZE	INNER QTY	MSTR. QTY
PVCB-5090	1/2"	N/A	40	PVCB-20090	2"	N/A	15
PVCB-7590	3/4"	N/A	40	PVCB-25090	2-1/2"	N/A	1
PVCB-10090	1"	N/A	40	PVCB-30090	3"	N/A	1
PVCB-12590	1-1/4"	N/A	20	PVCB-35090	3-1/2"	N/A	1
PVCB-15090	1-1/2"	N/A	20	PVCB-40090	4"	N/A	1

PVC ELBOWS - 45° BELL END

Provides a 45° change in direction in a conduit run



Material: PVC

ITEM#	TRADE SIZE	INNER QTY	MSTR. QTY	ITEM#	TRADE SIZE	INNER QTY	MSTR. QTY
PVCB-5045	1/2"	N/A	40	PVCB-20045	2"	N/A	15
PVCB-7545	3/4"	N/A	40	PVCB-25045	2-1/2"	N/A	1
PVCB-10045	1"	N/A	40	PVCB-30045	3"	N/A	1
PVCB-12545	1-1/4"	N/A	20	PVCB-35045	3-1/2"	N/A	1
PVCB-15045	1-1/2"	N/A	20	PVCB-40045	4"	N/A	1

PVC ELBOWS - 90° BELL END SPECIAL RADIUS

Provides a 90° change in direction in a conduit run



Material: PVC

Notes: Special radius elbow orders are non-cancelable and non-returnable

ITEM#	TRADE SIZE	RADIUS	INNER QTY	MASTER QTY
PVCB-2009024	2"	24"	N/A	1
PVCB-2009036	2"	36"	N/A	1
PVCB-2009048	2"	48"	N/A	1
PVCB-2509024	2-1/2"	24"	N/A	1
PVCB-2509036	2-1/2"	36"	N/A	1
PVCB-2509048	2-1/2"	48"	N/A	1
PVCB-3009024	3"	24"	N/A	1
PVCB-3009036	3"	36"	N/A	1
PVCB-3009048	3"	48"	N/A	1
PVCB-3509024	3-1/2"	24"	N/A	1
PVCB-3509036	3-1/2"	36"	N/A	1
PVCB-3509048	3-1/2"	48"	N/A	1
PVCB-4009024	4"	24"	N/A	1
PVCB-4009036	4"	36"	N/A	1
PVCB-4009048	4"	48"	N/A	1

PVC CONDUIT BODIES LB-TYPE

Allows access for inspection, pulling and maintenance



Material: PVC

Certifications: UL Listed for wet location and concrete-tight

Features: Cover, gasket and screws included

Notes: Schedule 40



ITEM#	TRADE SIZE	INNER QTY	MSTR. QTY	ITEM#	TRADE SIZE	INNER QTY	MSTR. QTY
PLBLA-50	1/2"	N/A	25	PLBLA-200	2"	N/A	10
PLBLA-75	3/4"	N/A	15	PLBLA-250	2-1/2"	N/A	4
PLBLA-100	1"	N/A	10	PLBLA-300	3"	N/A	4
PLBLA-125	1-1/4"	N/A	10	PLBLA-350	3-1/2"	N/A	4
PLBLA-150	1-1/2"	N/A	10	PLBLA-400	4"	N/A	4

PVC CONDUIT BODIES C-TYPE

Allows access for inspection, pulling and maintenance



Material: PVC

Certifications: UL Listed for wet location and concrete-tight

Features: Cover, gasket and screws included

Notes: Schedule 40



ITEM#	TRADE SIZE	INNER QTY	MSTR. QTY	ITEM#	TRADE SIZE	INNER QTY	MSTR. QTY
PCLA-50	1/2"	N/A	30	PCLA-200	2"	N/A	15
PCLA-75	3/4"	N/A	20	PCLA-250	2-1/2"	N/A	4
PCLA-100	1"	N/A	15	PCLA-300	3"	N/A	4
PCLA-125	1-1/4"	N/A	15	PCLA-350	3-1/2"	N/A	4
PCLA-150	1-1/2"	N/A	10	PCLA-400	4"	N/A	4

PVC CONDUIT BODIES E-TYPE

Allows access for inspection, pulling and maintenance



Material: PVC

Certifications: UL Listed for wet location and concrete-tight

Features: Cover, gasket and screws included

Notes: Schedule 40



ITEM#	TRADE SIZE	INNER QTY	MSTR. QTY	ITEM#	TRADE SIZE	INNER QTY	MSTR. QTY
PELA-50	1/2"	N/A	30	PELA-200	2"	N/A	15
PELA-75	3/4"	N/A	20	PELA-250	2-1/2"	N/A	4
PELA-100	1"	N/A	15	PELA-300	3"	N/A	4
PELA-125	1-1/4"	N/A	20	PELA-350	3-1/2"	N/A	4
PELA-150	1-1/2"	N/A	10	PELA-400	4"	N/A	4

PVC CONDUIT BODIES LL-TYPE

Allows access for inspection, pulling and maintenance



Material: PVC

Certifications: UL Listed for wet location and concrete-tight

Features: Cover, gasket and screws included

Notes: Schedule 40



ITEM#	TRADE SIZE	INNER QTY	MSTR. QTY	ITEM#	TRADE SIZE	INNER QTY	MSTR. QTY
PLLLA-50	1/2"	N/A	25	PLLLA-200	2"	N/A	10
PLLLA-75	3/4"	N/A	20	PLLLA-250	2-1/2"	N/A	4
PLLLA-100	1"	N/A	15	PLLLA-300	3"	N/A	4
PLLLA-125	1-1/4"	N/A	10	PLLLA-350	3-1/2"	N/A	5
PLLLA-150	1-1/2"	N/A	10	PLLLA-400	4"	N/A	5

PVC CONDUIT BODIES LR-TYPE

Allows access for inspection, pulling and maintenance



Material: PVC

Certifications: UL Listed for wet location and concrete-tight

Features: Cover, gasket and screws included

Notes: Schedule 40



ITEM#	TRADE SIZE	INNER QTY	MSTR. QTY	ITEM#	TRADE SIZE	INNER QTY	MSTR. QTY
PLRLA-50	1/2"	N/A	25	PLRLA-200	2"	N/A	10
PLRLA-75	3/4"	N/A	20	PLRLA-250	2-1/2"	N/A	4
PLRLA-100	1"	N/A	15	PLRLA-300	3"	N/A	4
PLRLA-125	1-1/4"	N/A	10	PLRLA-350	3-1/2"	N/A	5
PLRLA-150	1-1/2"	N/A	10	PLRLA-400	4"	N/A	5

PVC CONDUIT BODIES T-TYPE

Allows access for inspection, pulling and maintenance



Material: PVC

Certifications: UL Listed for wet location and concrete-tight

Features: Cover, gasket and screws included

Notes: Schedule 40



ITEM#	TRADE SIZE	INNER QTY	MSTR. QTY	ITEM#	TRADE SIZE	INNER QTY	MSTR. QTY
PTLA-50	1/2"	N/A	10	PTLA-200	2"	N/A	10
PTLA-75	3/4"	N/A	10	PTLA-250	2-1/2"	N/A	4
PTLA-100	1"	N/A	10	PTLA-300	3"	N/A	4
PTLA-125	1-1/4"	N/A	15	PTLA-350	3-1/2"	N/A	4
PTLA-150	1-1/2"	N/A	10	PTLA-400	4"	N/A	4

PVC PULL ELBOWS

Connects 2 lengths of PVC for a 90° bend



Material: PVC

Certifications: UL Listed



ITEM#	TRADE SIZE	INNER QTY	MASTER QTY
PEL-5075	1/2", 3/4"	N/A	50

PVC END CAPS

Seals off end of conduit

Material: PVC



ITEM#	TRADE SIZE	INNER QTY	MSTR. QTY	ITEM#	TRADE SIZE	INNER QTY	MSTR. QTY
PEC-50	1/2"	N/A	200	PEC-250	2-1/2"	N/A	15
PEC-75	3/4"	N/A	150	PEC-300	3"	N/A	10
PEC-100	1"	N/A	100	PEC-400	4"	N/A	12
PEC-125	1-1/4"	N/A	40	PEC-500	5"	N/A	10
PEC-150	1-1/2"	N/A	40	PEC-600	6"	N/A	10
PEC-200	2"	N/A	20				

PVC END BELLS

Provides smooth surface for wire pulling at the cut end of the conduit and protects cable from damage

Material: PVC



ITEM#	TRADE SIZE	INNER QTY	MSTR. QTY	ITEM#	TRADE SIZE	INNER QTY	MSTR. QTY
PMEB-50	1/2"	N/A	100	PMEB-250	2-1/2"	N/A	10
PMEB-75	3/4"	N/A	200	PMEB-300	3"	N/A	30
PMEB-100	1"	N/A	100	PMEB-350	3-1/2"	N/A	40
PMEB-125	1-1/4"	N/A	100	PMEB-400	4"	N/A	30
PMEB-150	1-1/2"	N/A	50	PMEB-500	5"	N/A	25
PMEB-200	2"	N/A	40	PMEB-600	6"	N/A	15

PVC COUPLINGS

Connects two lengths of PVC

Material: PVC

Certifications: UL Listed

Notes: Schedule 40



ITEM#	TRADE SIZE	INNER QTY	MSTR. QTY	ITEM#	TRADE SIZE	INNER QTY	MSTR. QTY
PC-50	1/2"	N/A	150	PC-250	2-1/2"	N/A	15
PC-75	3/4"	N/A	100	PC-300	3"	N/A	25
PC-100	1"	N/A	50	PC-350	3-1/2"	N/A	20
PC-125	1-1/4"	N/A	30	PC-400	4"	N/A	15
PC-150	1-1/2"	N/A	25	PC-500	5"	N/A	8
PC-200	2"	N/A	30	PC-600	6"	N/A	5

PVC REDUCER BUSHINGS

Reduces knockout diameter

Material: PVC
Notes: Schedule 40



ITEM#	TRADE SIZE	INNER QTY	MASTER QTY
PRB-7550	3/4" x 1/2"	100	300
PRB-10050	1" x 1/2"	100	300
PRB-10075	1" X 3/4"	100	200
PRB-12575	1-1/4" x 3/4"	25	50
PRB-125100	1-1/4" x 1"	50	100
PRB-150125	1-1/2" x 1-1/4"	N/A	40
PRB-200125	2" x 1-1/4"	N/A	25
PRB-200150	2" x 1-1/2"	N/A	25
PRB-250200	2-1/2" x 2"	N/A	15
PRB-300200	3" x 2"	N/A	25
PRB-300250	3" x 2-1/2"	N/A	15
PRB-400300	4" x 3"	N/A	10
PRB-400350	4" x 3-1/2"	N/A	15

PVC TERMINAL ADAPTERS

Connects PVC conduit to a threaded PVC or steel conduit bell or terminate raceway to a box or enclosure

Material: PVC
Certifications: UL Listed
Notes: Schedule 40



ITEM#	TRADE SIZE	INNER QTY	MSTR. QTY	ITEM#	TRADE SIZE	INNER QTY	MSTR. QTY
PTA-50	1/2"	N/A	150	PTA-250	2-1/2"	N/A	25
PTA-75	3/4"	N/A	125	PTA-300	3"	N/A	45
PTA-100	1"	N/A	50	PTA-350	3-1/2"	N/A	30
PTA-125	1-1/4"	N/A	50	PTA-400	4"	N/A	20
PTA-150	1-1/2"	N/A	25	PTA-500	5"	N/A	8
PTA-200	2"	N/A	50	PTA-600	6"	N/A	10

PVC OFFSET ADAPTERS

Offsets a conduit raceway

Material: PVC

Certifications: UL Listed

Notes: Schedule 40



ITEM#	TRADE SIZE	INNER QTY	MASTER QTY
PMO-125	1-1/4"	N/A	50
PMO-200	2"	N/A	25

PVC FEMALE ADAPTERS

Connects threaded steel conduit or connectors to PVC conduit

Material: PVC

Certifications: UL Listed

Notes: Schedule 40.

PFA-250 and PFA-350 concrete-tight when taped.



ITEM#	TRADE SIZE	INNER QTY	MSTR. QTY	ITEM#	TRADE SIZE	INNER QTY	MSTR. QTY
PFA-50	1/2"	N/A	150	PFA-250	2-1/2"	N/A	20
PFA-75	3/4"	N/A	100	PFA-300	3"	N/A	25
PFA-100	1"	N/A	50	PFA-350	3-1/2"	N/A	20
PFA-125	1-1/4"	N/A	30	PFA-400	4"	N/A	15
PFA-150	1-1/2"	N/A	25	PFA-500	5"	N/A	10
PFA-200	2"	N/A	30	PFA-600	6"	N/A	6

PVC JUNCTION BOX ADAPTERS

Connects conduit to box or enclosure

Material: PVC

Certifications: UL Listed (1/2" thru 2" only)



ITEM#	TRADE SIZE	INNER QTY	MSTR. QTY	ITEM#	TRADE SIZE	INNER QTY	MSTR. QTY
PJBA-50	1/2"	N/A	100	PJBA-200	2"	N/A	25
PJBA-75	3/4"	N/A	100	PJBA-250	2-1/2"	N/A	10
PJBA-100	1"	N/A	100	PJBA-300	3"	N/A	20
PJBA-125	1-1/4"	N/A	50	PJBA-350	3-1/2"	N/A	10
PJBA-150	1-1/2"	N/A	75	PJBA-400	4"	N/A	10

PVC JUNCTION BOXES

Encloses electrical or utility connections

Material: PVC

Certifications: UL Listed

Features: Cover, gasket and screws included



ITEM#	TRADE SIZE	INNER QTY	MASTER QTY
PJB-442	4" x 4" x 2"	N/A	12
PJB-444	4" x 4" x 4"	N/A	10
PJB-552	5" x 5" x 2"	N/A	12
PJB-664	6" x 6" x 4"	N/A	5
PJB-666	6" x 6" x 6"	N/A	8
PJB-884	8" x 8" x 4"	N/A	5
PJB-887	8" x 8" x 7"	N/A	2
PJB-12124	12" x 12" x 4"	N/A	3
PJB-12126	12" x 12" x 6"	N/A	3
PJB-12128	12" x 12" x 8"	N/A	3

PVC FSC BOXES

Used as a junction box or branch circuit wiring devices

Material: PVC

Certifications: UL Listed



ITEM#	TRADE SIZE	INNER QTY	MASTER QTY
PFSC-50	1/2"	N/A	15
PFSC-75	3/4"	N/A	15

PVC FSE BOXES

Used as a junction box or branch circuit wiring devices

Material: PVC

Certifications: UL Listed



ITEM#	TRADE SIZE	INNER QTY	MASTER QTY
PFSE-50	1/2"	N/A	10
PFSE-75	3/4"	N/A	10

PVC FSS BOXES

Used as a junction box or branch circuit wiring devices

Material: PVC

Certifications: UL Listed



ITEM#	TRADE SIZE	INNER QTY	MASTER QTY
PFSS-50	1/2"	N/A	10
PFSS-75	3/4"	N/A	10

PVC FS BOXES - 3 IN 1

Used as a junction box or branch circuit wiring devices

Material: PVC

Certifications: UL Listed

Features: Can be adapted to accommodate three sizes of conduit (1/2", 3/4", 1") in one box. Standard 1" hub which can be adjusted to 3/4" or 1/2" using supplied reducer bushings.



ITEM#	TRADE SIZE	INNER QTY	MSTR. QTY	ITEM#	TRADE SIZE	INNER QTY	MSTR. QTY
PFSC-3	2 GANG	N/A	10	PFSE-3	2 GANG	N/A	10
PFSCC-3	2 GANG	N/A	10	PFSED-3	1 GANG	N/A	10
PFSCD-3	1 GANG	N/A	10	PFSS-3	2 GANG	N/A	10

PVC OCTAGON BOXES

Junction box

Material: PVC

Certifications: UL Listed

Notes: 1/2" and 3/4" hub. Not designed for supporting luminaries



ITEM#	TRADE SIZE	INNER QTY	MASTER QTY
POCT-400150	4 x 1-12"	N/A	15

PVC COVER PLATES

Covers wiring devices inside box after installation

Material: PVC

Certifications: UL Listed



ITEM#	TRADE SIZE	COVER	INNER QTY	MASTER QTY
PBDC	2 GANG	BLANK W/GASKET	N/A	20
PBSC	1 GANG	BLANK	N/A	50
PBSC-2	2 GANG	BLANK	N/A	50
PDSC	1 GANG	DUPLEX	N/A	100
PGFSC	1 GANG	W.P.GFI	N/A	20
PTSC	1 GANG	TOGGLE	N/A	100

PVC WEATHERPROOF COVERS

Forms weatherproof seal for wiring devices inside PVC boxes

Material: PVC, Neoprene Gasket

Certifications: UL Listed



ITEM#	TRADE SIZE	COVER	INNER QTY	MASTER QTY
PVSD-20	2 GANG	COMBO SWITCH DUPLEX	N/A	10
PVTC-15	1 GANG	TOGGLE SWITCH	N/A	20
PVTC-20	2 GANG	TOGGLE SWITCH	N/A	10
PWDRC	1 GANG	DUPLEX	N/A	20

PVC 2-HOLE STRAPS

Secures conduit to surface

Material: PVC



ITEM#	TRADE SIZE	INNER QTY	MSTR. QTY	ITEM#	TRADE SIZE	INNER QTY	MSTR. QTY
PS-50	1/2"	100	400	PS-200	2"	25	200
PS-75	3/4"	100	400	PS-250	2-1/2"	N/A	100
PS-100	1"	100	500	PS-300	3"	N/A	100
PS-125	1-1/4"	50	400	PS-400	4"	N/A	50
PS-150	1-1/2"	25	225	PS-500	5"	N/A	10

PVC SERVICE ENTRANCE HEADS

Caps overhead service entrance



Material: PVC

Certifications: UL Listed (except for PMH-350)



ITEM#	TRADE SIZE	INNER QTY	MSTR. QTY	ITEM#	TRADE SIZE	INNER QTY	MSTR. QTY
PMH-50	1/2"	N/A	25	PMH-200	2"	N/A	4
PMH-75	3/4"	N/A	20	PMH-250	2-1/2"	N/A	2
PMH-100	1"	N/A	15	PMH-300	3"	N/A	2
PMH-125	1-1/4"	N/A	10	PMH-350	3-1/2"	N/A	2
PMH-150	1-1/2"	N/A	4	PMH-400	4"	N/A	2

PVC BASE SPACERS

Used with intermediate spacers to provide uniform spacing between the rows and columns of conduits for below grade duct bank applications



Material: PVC

ITEM#	TRADE SIZE	INNER QTY	MSTR. QTY	ITEM#	TRADE SIZE	INNER QTY	MSTR. QTY
PBS-200200	2" x 2"	N/A	150	PBS-500150	5" x 1-1/2"	N/A	140
PBS-200300	2" x 3"	N/A	100	PBS-500200	5" x 2"	N/A	60
PBS-300300	3" x 3"	N/A	80	PBS-500300	5" x 3"	N/A	50
PBS-400200	4" x 2"	N/A	80	PBS-600300	6" x 3"	N/A	40
PBS-400300	4" x 3"	N/A	60				

PVC INTERMEDIATE SPACERS

Used with base spacers, to provide uniform spacing between the rows and columns of conduits for below grade duct bank applications



Material: PVC

Features: Rebar holder slots accommodate a maximum rebar diameter of 5/8" for the 2" conduit size, and 7/8" for all other sizes. Spacers provide a 3" clearance from the trench base to the bottom of the first conduit.

Notes: Install spacers every 5 to 6 feet for proper and even support of the conduit assembly.

ITEM#	TRADE SIZE	INNER QTY	MSTR. QTY	ITEM#	TRADE SIZE	INNER QTY	MSTR. QTY
PVS-200200	2" x 2"	N/A	200	PVS-400300	4" x 3"	N/A	60
PVS-200300	2" x 3"	N/A	150	PVS-500300	5" x 3"	N/A	60
PVS-300300	3" x 3"	N/A	160	PVS-600300	6" x 3"	N/A	40
PVS-400200	4" x 2"	N/A	80				

PVC CLEANER

Used to clean and prep PVC pipe and fittings prior to cement application



ITEM#	TRADE SIZE	INNER QTY	MASTER QTY
P-7001	1/2 PINT	N/A	24
P-7002	PINT	N/A	12
P-7003	QUART	N/A	12

PVC SOLVENT CEMENT CLEAR - REGULAR BODY

To cement and form a waterproof seal at joints of PVC pipe



ITEM#	TRADE SIZE	INNER QTY	MASTER QTY
P-6001	1/2 PINT	N/A	24
P-6002	PINT	N/A	12
P-6003	QUART	N/A	12
P-6004	GALLON	N/A	6



The newest innovation for pulling wire!

Simply remove the ceiling tiles and snap the Stingray into the corner of the grid. That's it! You now have a safe and effective chase to run your cables. When you're finished simply pull the Stingray's tail and slide it off the grid.

- Protects expensive and fragile cables
- Protects ceiling from twisting and marring
- Prevents cables from tangling with the ceiling, saving time and labor
- Smooth interior creates an almost frictionless chase
- Side slit allows for easy cable removal at any time
- Fits 1" standard ceiling grid

SmartTools™

 STINGRAY

110

conduit bodies



When running conduit, having inferior conduit bodies can grind a project to a halt. Breaking or coming loose due to poor fit can cost valuable time and labor. All of Madison's conduit bodies are made from high grade aluminum or malleable iron for Rigid conduit, and aluminum for EMT. Madison produces quality at an affordable price. Available in all conduit body types and with a wide range of conduit sizes we have exactly what you need to get the job done.



RIGID CONDUIT BODIES C-TYPE

Allows access for inspection, pulling and maintenance

Material: Aluminum

Certifications: UL Listed

Features: Threaded body for Rigid/IMC conduit



STANDARD				W/COVER & GASKET			
ITEM#	TRADE SIZE	INNER QTY	MSTR. QTY	ITEM#	TRADE SIZE	INNER QTY	MSTR. QTY
LC-50	1/2"	10	100	LCLA-50	1/2"	10	100
LC-75	3/4"	10	50	LCLA-75	3/4"	10	50
LC-100	1"	5	25	LCLA-100	1"	5	25
LC-125	1-1/4"	2	10	LCLA-125	1-1/4"	2	10
LC-150	1-1/2"	2	10	LCLA-150	1-1/2"	2	10
LC-200	2"	1	5	LCLA-200	2"	1	5
LC-250	2-1/2"	N/A	1	LCLA-250	2-1/2"	N/A	1
LC-300	3"	N/A	1	LCLA-300	3"	N/A	1
LC-350	3-1/2"	N/A	1	LCLA-350	3-1/2"	N/A	1
LC-400	4"	N/A	1	LCLA-400	4"	N/A	1

RIGID CONDUIT BODIES LB-TYPE

Allows access for inspection, pulling and maintenance

Material: Aluminum

Certifications: UL Listed

Features: Threaded body for Rigid/IMC conduit



STANDARD				W/COVER & GASKET			
ITEM#	TRADE SIZE	INNER QTY	MSTR. QTY	ITEM#	TRADE SIZE	INNER QTY	MSTR. QTY
LB-50	1/2"	10	100	LBLA-50	1/2"	10	100
LB-75	3/4"	10	50	LBLA-75	3/4"	10	50
LB-100	1"	5	25	LBLA-100	1"	5	25
LB-125	1-1/4"	2	10	LBLA-125	1-1/4"	2	10
LB-150	1-1/2"	2	10	LBLA-150	1-1/2"	2	10
LB-200	2"	1	5	LBLA-200	2"	1	5
LB-250	2-1/2"	N/A	1	LBLA-250	2-1/2"	N/A	1
LB-300	3"	N/A	1	LBLA-300	3"	N/A	1
LB-350	3-1/2"	N/A	1	LBLA-350	3-1/2"	N/A	1
LB-400	4"	N/A	1	LBLA-400	4"	N/A	1

RIGID CONDUIT BODIES LL-TYPE

Allows access for inspection, pulling and maintenance

Material: Aluminum

Certifications: UL Listed

Features: Threaded body for Rigid/IMC conduit



STANDARD				W/COVER & GASKET			
ITEM#	TRADE SIZE	INNER QTY	MSTR. QTY	ITEM#	TRADE SIZE	INNER QTY	MSTR. QTY
LL-50	1/2"	10	100	LLLA-50	1/2"	10	100
LL-75	3/4"	10	50	LLLA-75	3/4"	10	50
LL-100	1"	5	25	LLLA-100	1"	5	25
LL-125	1-1/4"	2	10	LLLA-125	1-1/4"	2	10
LL-150	1-1/2"	2	10	LLLA-150	1-1/2"	2	10
LL-200	2"	1	5	LLLA-200	2"	1	5
LL-250	2-1/2"	N/A	1	LLLA-250	2-1/2"	N/A	1
LL-300	3"	N/A	1	LLLA-300	3"	N/A	1
LL-350	3-1/2"	N/A	1	LLLA-350	3-1/2"	N/A	1
LL-400	4"	N/A	1	LLLA-400	4"	N/A	1

RIGID CONDUIT BODIES LR-TYPE

Allows access for inspection, pulling and maintenance

Material: Aluminum

Certifications: UL Listed

Features: Threaded body for Rigid/IMC conduit



STANDARD				W/COVER & GASKET			
ITEM#	TRADE SIZE	INNER QTY	MSTR. QTY	ITEM#	TRADE SIZE	INNER QTY	MSTR. QTY
LR-50	1/2"	10	100	LRLA-50	1/2"	10	100
LR-75	3/4"	10	50	LRLA-75	3/4"	10	50
LR-100	1"	5	25	LRLA-100	1"	5	25
LR-125	1-1/4"	2	10	LRLA-125	1-1/4"	2	10
LR-150	1-1/2"	2	10	LRLA-150	1-1/2"	2	10
LR-200	2"	1	5	LRLA-200	2"	1	5
LR-250	2-1/2"	N/A	1	LRLA-250	2-1/2"	N/A	1
LR-300	3"	N/A	1	LRLA-300	3"	N/A	1
LR-350	3-1/2"	N/A	1	LRLA-350	3-1/2"	N/A	1
LR-400	4"	N/A	1	LRLA-400	4"	N/A	1

RIGID CONDUIT BODIES T-TYPE

Allows access for inspection, pulling and maintenance

Material: Aluminum

Certifications: UL Listed

Features: Threaded body for Rigid/IMC conduit



STANDARD				W/COVER & GASKET			
ITEM#	TRADE SIZE	INNER QTY	MSTR. QTY	ITEM#	TRADE SIZE	INNER QTY	MSTR. QTY
LT-50	1/2"	10	100	LTLA-50	1/2"	10	100
LT-75	3/4"	10	50	LTLA-75	3/4"	10	50
LT-100	1"	5	25	LTLA-100	1"	5	25
LT-125	1-1/4"	2	10	LTLA-125	1-1/4"	2	10
LT-150	1-1/2"	2	10	LTLA-150	1-1/2"	2	10
LT-200	2"	N/A	2	LTLA-200	2"	N/A	2
LT-250	2-1/2"	N/A	1	LTLA-250	2-1/2"	N/A	1
LT-300	3"	N/A	1	LTLA-300	3"	N/A	1
LT-350	3-1/2"	N/A	1	LTLA-350	3-1/2"	N/A	1
LT-400	4"	N/A	1	LTLA-400	4"	N/A	1

RIGID CONDUIT BODIES C-TYPE - MALLEABLE

Allows access for inspection, pulling and maintenance

Material: Malleable Iron

Certifications: UL Listed, NEMA FB-1

Features: Threaded body for Rigid/IMC conduit



ITEM#	TRADE SIZE	INNER QTY	MSTR. QTY	ITEM#	TRADE SIZE	INNER QTY	MSTR. QTY
LCM-50	1/2"	N/A	10	LCM-200	2"	N/A	5
LCM-75	3/4"	N/A	10	LCM-250	2-1/2"	N/A	1
LCM-100	1"	N/A	5	LCM-300	3"	N/A	1
LCM-125	1-1/4"	N/A	5	LCM-350	3-1/2"	N/A	1
LCM-150	1-1/2"	N/A	5	LCM-400	4"	N/A	1

RIGID CONDUIT BODIES LB-TYPE - MALLEABLE

Allows access for inspection, pulling and maintenance

Material: Malleable Iron

Certifications: UL Listed

Features: Threaded body for Rigid/IMC conduit



ITEM#	TRADE SIZE	INNER QTY	MSTR. QTY	ITEM#	TRADE SIZE	INNER QTY	MSTR. QTY
LBM-50	1/2"	N/A	10	LBM-200	2"	N/A	5
LBM-75	3/4"	N/A	10	LBM-250	2-1/2"	N/A	1
LBM-100	1"	N/A	5	LBM-300	3"	N/A	1
LBM-125	1-1/4"	N/A	5	LBM-350	3-1/2"	N/A	1
LBM-150	1-1/2"	N/A	5	LBM-400	4"	N/A	1

RIGID CONDUIT BODIES LL-TYPE - MALLEABLE

Allows access for inspection, pulling and maintenance

Material: Malleable Iron

Certifications: UL Listed, NEMA FB-1

Features: Threaded body for Rigid/IMC conduit



ITEM#	TRADE SIZE	INNER QTY	MSTR. QTY	ITEM#	TRADE SIZE	INNER QTY	MSTR. QTY
LLM-50	1/2"	N/A	10	LLM-200	2"	N/A	5
LLM-75	3/4"	N/A	10	LLM-250	2-1/2"	N/A	1
LLM-100	1"	N/A	5	LLM-300	3"	N/A	1
LLM-125	1-1/4"	N/A	5	LLM-350	3-1/2"	N/A	1
LLM-150	1-1/2"	N/A	5	LLM-400	4"	N/A	1

RIGID CONDUIT BODIES LR-TYPE - MALLEABLE

Allows access for inspection, pulling and maintenance

Material: Malleable Iron

Certifications: UL Listed, NEMA FB-1

Features: Threaded body for Rigid/IMC conduit



ITEM#	TRADE SIZE	INNER QTY	MSTR. QTY	ITEM#	TRADE SIZE	INNER QTY	MSTR. QTY
LRM-50	1/2"	N/A	10	LRM-200	2"	N/A	5
LRM-75	3/4"	N/A	10	LRM-250	2-1/2"	N/A	1
LRM-100	1"	N/A	5	LRM-300	3"	N/A	1
LRM-125	1-1/4"	N/A	5	LRM-350	3-1/2"	N/A	1
LRM-150	1-1/2"	N/A	5	LRM-400	4"	N/A	1

RIGID CONDUIT BODIES T-TYPE - MALLEABLE

Allows access for inspection, pulling and maintenance

Material: Malleable Iron

Certifications: UL Listed, NEMA FB-1

Features: Threaded body for Rigid/IMC conduit



ITEM#	TRADE SIZE	INNER QTY	MSTR. QTY	ITEM#	TRADE SIZE	INNER QTY	MSTR. QTY
LTM-50	1/2"	N/A	10	LTM-200	2"	N/A	5
LTM-75	3/4"	N/A	10	LTM-250	2-1/2"	N/A	1
LTM-100	1"	N/A	5	LTM-300	3"	N/A	1
LTM-125	1-1/4"	N/A	5	LTM-350	3-1/2"	N/A	1
LTM-150	1-1/2"	N/A	5	LTM-400	4"	N/A	1

RIGID CONDUIT BODIES TB-TYPE - MALLEABLE

Allows access for inspection, pulling and maintenance

Material: Malleable Iron

Certifications: UL Listed, NEMA FB-1

Features: Threaded body for Rigid/IMC conduit



ITEM#	TRADE SIZE	INNER QTY	MSTR. QTY	ITEM#	TRADE SIZE	INNER QTY	MSTR. QTY
LTBM-50	1/2"	N/A	10	LTBM-125	1-1/4"	N/A	5
LTBM-75	3/4"	N/A	10	LTBM-150	1-1/2"	N/A	5
LTBM-100	1"	N/A	5	LTBM-200	2"	N/A	5

EMT SET SCREW CONDUIT BODIES T-TYPE

Allows access for inspection, pulling and maintenance



Material: Aluminum



Certifications: UL Listed

Features: Threadless body with set screws for EMT conduit

ITEM#	TRADE SIZE	INNER QTY	MSTR. QTY	ITEM#	TRADE SIZE	INNER QTY	MSTR. QTY
LTE-50	1/2"	10	100	LTE-125	1-1/4"	2	10
LTE-75	3/4"	10	50	LTE-150	1-1/2"	2	10
LTE-100	1"	5	25	LTE-200	2"	0	2

EMT SET SCREW CONDUIT BODIES LB-TYPE

Allows access for inspection, pulling and maintenance



Material: Aluminum



Certifications: UL Listed

Features: Threadless body with set screws for EMT conduit

ITEM#	TRADE SIZE	INNER QTY	MSTR. QTY	ITEM#	TRADE SIZE	INNER QTY	MSTR. QTY
LBE-50	1/2"	10	100	LBE-125	1-1/4"	2	10
LBE-75	3/4"	10	50	LBE-150	1-1/2"	2	10
LBE-100	1"	5	25	LBE-200	2"	1	5

EMT SET SCREW CONDUIT BODIES LC-TYPE

Allows access for inspection, pulling and maintenance



Material: Aluminum



Certifications: UL Listed

Features: Threadless body with set screws for EMT conduit

ITEM#	TRADE SIZE	INNER QTY	MSTR. QTY	ITEM#	TRADE SIZE	INNER QTY	MSTR. QTY
LCE-50	1/2"	10	100	LCE-125	1-1/4"	2	10
LCE-75	3/4"	10	50	LCE-150	1-1/2"	2	10
LCE-100	1"	5	25	LCE-200	2"	1	5

EMT SET SCREW CONDUIT BODIES LL-TYPE

Allows access for inspection, pulling and maintenance

Material: Aluminum
Certifications: UL Listed



ITEM#	TRADE SIZE	INNER QTY	MSTR. QTY	ITEM#	TRADE SIZE	INNER QTY	MSTR. QTY
LLE-50	1/2"	10	100	LLE-125	1-1/4"	2	10
LLE-75	3/4"	10	50	LLE-150	1-1/2"	2	10
LLE-100	1"	5	25	LLE-200	2"	1	5

EMT SET SCREW CONDUIT BODIES LR-TYPE

Allows access for inspection, pulling and maintenance

Material: Aluminum
Certifications: UL Listed

Features: Threadless body with set screws for EMT conduit



ITEM#	TRADE SIZE	INNER QTY	MSTR. QTY	ITEM#	TRADE SIZE	INNER QTY	MSTR. QTY
LRE-50	1/2"	10	100	LRE-125	1-1/4"	2	10
LRE-75	3/4"	10	50	LRE-150	1-1/2"	2	10
LRE-100	1"	5	25	LRE-200	2"	1	5

COMBINATION CONDUIT BODIES C-TYPE

Allows access for inspection, pulling and maintenance

Material: Aluminum
Certifications: UL Listed

Features: Threaded body for Rigid/IMC conduit, and set screws for EMT conduit



STANDARD				W/COVER & GASKET			
ITEM#	TRADE SIZE	INNER QTY	MSTR. QTY	ITEM#	TRADE SIZE	INNER QTY	MSTR. QTY
LC-50-CB	1/2"	10	100	LCLA-50-CB	1/2"	10	100
LC-75-CB	3/4"	10	50	LCLA-75-CB	3/4"	10	50
LC-100-CB	1"	5	25	LCLA-100-CB	1"	5	25
LC-125-CB	1-1/4"	2	10	LCLA-125-CB	1-1/4"	2	10
LC-150-CB	1-1/2"	2	10	LCLA-150-CB	1-1/2"	2	10
LC-200-CB	2"	1	5	LCLA-200-CB	2"	1	5

COMBINATION CONDUIT BODIES LB-TYPE

Allows access for inspection, pulling and maintenance

Material: Aluminum

Certifications: UL Listed

Features: Threaded body for Rigid/IMC conduit, and set screws for EMT conduit



STANDARD				W/COVER & GASKET			
ITEM#	TRADE SIZE	INNER QTY	MSTR. QTY	ITEM#	TRADE SIZE	INNER QTY	MSTR. QTY
LB-50-CB	1/2"	10	100	LBLA-50-CB	1/2"	10	100
LB-75-CB	3/4"	10	50	LBLA-75-CB	3/4"	10	50
LB-100-CB	1"	5	25	LBLA-100-CB	1"	5	25
LB-125-CB	1-1/4"	2	10	LBLA-125-CB	1-1/4"	2	10
LB-150-CB	1-1/2"	2	10	LBLA-150-CB	1-1/2"	2	10
LB-200-CB	2"	1	5	LBLA-200-CB	2"	1	5

COMBINATION CONDUIT BODIES LL-TYPE

Allows access for inspection, pulling and maintenance

Material: Aluminum

Certifications: UL Listed

Features: Threaded body for Rigid/IMC conduit, and set screws for EMT conduit



STANDARD				W/COVER & GASKET			
ITEM#	TRADE SIZE	INNER QTY	MSTR. QTY	ITEM#	TRADE SIZE	INNER QTY	MSTR. QTY
LL-50-CB	1/2"	10	100	LLLA-50-CB	1/2"	10	100
LL-75-CB	3/4"	10	50	LLLA-75-CB	3/4"	10	50
LL-100-CB	1"	5	25	LLLA-100-CB	1"	5	25
LL-125-CB	1-1/4"	2	10	LLLA-125-CB	1-1/4"	2	10
LL-150-CB	1-1/2"	2	10	LLLA-150-CB	1-1/2"	2	10
LL-200-CB	2"	1	5	LLLA-200-CB	2"	1	5

COMBINATION CONDUIT BODIES LR-TYPE

Allows access for inspection, pulling
and maintenance

Material: Aluminum

Certifications: UL Listed

Features: Threaded body for Rigid/IMC conduit,
and set screws for EMT conduit



STANDARD				W/COVER & GASKET			
ITEM#	TRADE SIZE	INNER QTY	MSTR. QTY	ITEM#	TRADE SIZE	INNER QTY	MSTR. QTY
LR-50-CB	1/2"	10	100	LRLA-50-CB	1/2"	10	100
LR-75-CB	3/4"	10	50	LRLA-75-CB	3/4"	10	50
LR-100-CB	1"	5	25	LRLA-100-CB	1"	5	25
LR-125-CB	1-1/4"	2	10	LRLA-125-CB	1-1/4"	2	10
LR-150-CB	1-1/2"	2	10	LRLA-150-CB	1-1/2"	2	10
LR-200-CB	2"	1	5	LRLA-200-CB	2"	1	5

COMBINATION CONDUIT BODIES T-TYPE

Allows access for inspection, pulling
and maintenance

Material: Aluminum

Certifications: UL Listed

Features: Threaded body for Rigid/IMC conduit,
and set screws for EMT conduit



STANDARD				W/COVER & GASKET			
ITEM#	TRADE SIZE	INNER QTY	MSTR. QTY	ITEM#	TRADE SIZE	INNER QTY	MSTR. QTY
LT-50-CB	1/2"	10	100	LTLA-50-CB	1/2"	10	100
LT-75-CB	3/4"	10	50	LTLA-75-CB	3/4"	10	50
LT-100-CB	1"	5	25	LTLA-100-CB	1"	5	25
LT-125-CB	1-1/4"	2	10	LTLA-125-CB	1-1/4"	2	10
LT-150-CB	1-1/2"	2	10	LTLA-150-CB	1-1/2"	2	10
LT-200-CB	2"	1	5	LTLA-200-CB	2"	1	5

PVC CONDUIT BODIES LB-TYPE

Allows access for inspection, pulling and maintenance



Material: PVC

Certifications: UL Listed for wet location and concrete-tight

Features: Cover, gasket and screws included

Notes: Schedule 40



ITEM#	TRADE SIZE	INNER QTY	MSTR. QTY	ITEM#	TRADE SIZE	INNER QTY	MSTR. QTY
PLBLA-50	1/2"	N/A	25	PLBLA-200	2"	N/A	10
PLBLA-75	3/4"	N/A	15	PLBLA-250	2-1/2"	N/A	4
PLBLA-100	1"	N/A	10	PLBLA-300	3"	N/A	4
PLBLA-125	1-1/4"	N/A	10	PLBLA-350	3-1/2"	N/A	4
PLBLA-150	1-1/2"	N/A	10	PLBLA-400	4"	N/A	4

PVC CONDUIT BODIES C-TYPE

Allows access for inspection, pulling and maintenance



Material: PVC

Certifications: UL Listed for wet location and concrete-tight

Features: Cover, gasket and screws included

Notes: Schedule 40



ITEM#	TRADE SIZE	INNER QTY	MSTR. QTY	ITEM#	TRADE SIZE	INNER QTY	MSTR. QTY
PCLA-50	1/2"	N/A	30	PCLA-200	2"	N/A	15
PCLA-75	3/4"	N/A	20	PCLA-250	2-1/2"	N/A	4
PCLA-100	1"	N/A	15	PCLA-300	3"	N/A	4
PCLA-125	1-1/4"	N/A	15	PCLA-350	3-1/2"	N/A	4
PCLA-150	1-1/2"	N/A	10	PCLA-400	4"	N/A	4

PVC CONDUIT BODIES E-TYPE

Allows access for inspection, pulling and maintenance



Material: PVC

Certifications: UL Listed for wet location and concrete-tight

Features: Cover, gasket and screws included

Notes: Schedule 40



ITEM#	TRADE SIZE	INNER QTY	MSTR. QTY	ITEM#	TRADE SIZE	INNER QTY	MSTR. QTY
PELA-50	1/2"	N/A	30	PELA-200	2"	N/A	15
PELA-75	3/4"	N/A	20	PELA-250	2-1/2"	N/A	4
PELA-100	1"	N/A	15	PELA-300	3"	N/A	4
PELA-125	1-1/4"	N/A	20	PELA-350	3-1/2"	N/A	4
PELA-150	1-1/2"	N/A	10	PELA-400	4"	N/A	4

PVC CONDUIT BODIES LL-TYPE

Allows access for inspection, pulling and maintenance



Material: PVC

Certifications: UL Listed for wet location and concrete-tight

Features: Cover, gasket and screws included

Notes: Schedule 40



ITEM#	TRADE SIZE	INNER QTY	MSTR. QTY	ITEM#	TRADE SIZE	INNER QTY	MSTR. QTY
PLLLA-50	1/2"	N/A	25	PLLLA-200	2"	N/A	10
PLLLA-75	3/4"	N/A	20	PLLLA-250	2-1/2"	N/A	4
PLLLA-100	1"	N/A	15	PLLLA-300	3"	N/A	4
PLLLA-125	1-1/4"	N/A	10	PLLLA-350	3-1/2"	N/A	5
PLLLA-150	1-1/2"	N/A	10	PLLLA-400	4"	N/A	5

PVC CONDUIT BODIES LR-TYPE

Allows access for inspection, pulling and maintenance



Material: PVC

Certifications: UL Listed for wet location and concrete-tight

Features: Cover, gasket and screws included

Notes: Schedule 40



ITEM#	TRADE SIZE	INNER QTY	MSTR. QTY	ITEM#	TRADE SIZE	INNER QTY	MSTR. QTY
PLRLA-50	1/2"	N/A	25	PLRLA-200	2"	N/A	10
PLRLA-75	3/4"	N/A	20	PLRLA-250	2-1/2"	N/A	4
PLRLA-100	1"	N/A	15	PLRLA-300	3"	N/A	4
PLRLA-125	1-1/4"	N/A	10	PLRLA-350	3-1/2"	N/A	5
PLRLA-150	1-1/2"	N/A	10	PLRLA-400	4"	N/A	5

PVC CONDUIT BODIES T-TYPE

Allows access for inspection, pulling and maintenance



Material: PVC

Certifications: UL Listed for wet location and concrete-tight

Features: Cover, gasket and screws included

Notes: Schedule 40



ITEM#	TRADE SIZE	INNER QTY	MSTR. QTY	ITEM#	TRADE SIZE	INNER QTY	MSTR. QTY
PTLA-50	1/2"	N/A	10	PTLA-200	2"	N/A	10
PTLA-75	3/4"	N/A	10	PTLA-250	2-1/2"	N/A	4
PTLA-100	1"	N/A	10	PTLA-300	3"	N/A	4
PTLA-125	1-1/4"	N/A	15	PTLA-350	3-1/2"	N/A	4
PTLA-150	1-1/2"	N/A	10	PTLA-400	4"	N/A	4

SERVICE ENTRANCE BODIES

Allows access for inspection, pulling and maintenance



- Material:** Cast Aluminum
Certifications: UL Listed
Features: Flush mount to structure
Notes: XL prefix for extra long



ITEM#	TRADE SIZE	INNER QTY	MSTR. QTY	ITEM#	TRADE SIZE	INNER QTY	MSTR. QTY
L-900	1/2"	10	50	L-904	1-1/2"	1	5
L-901	3/4"	10	50	L-905	2"	1	5
L-902	1"	5	25	L-903-XL	1-1/4"	2	10
L-903	1-1/4"	2	10	L-905-XL	2"	1	5

CONDUIT BODY COVERS STEEL

Encloses conduit bodies



- Material:** Steel
Certifications: UL Listed, NEMA FB-1 (Domed only)
Notes: Screws included (except with LS-250)



STANDARD				DOMED			
ITEM#	TRADE SIZE	INNER QTY	MSTR. QTY	ITEM#	TRADE SIZE	INNER QTY	MSTR. QTY
LS-50	1/2"	N/A	50	LS-50-D	1/2"	N/A	50
LS-75	3/4"	N/A	50	LS-75-D	3/4"	N/A	50
LS-100	1"	N/A	50	LS-100-D	1"	N/A	50
LS-125	1-1/4"-1-1/2"	N/A	50	LS-125-D	1-1/4"-1-1/2"	N/A	50
LS-200	2"	N/A	25	LS-200-D	2"	N/A	25
LS-250	2-1/2"	N/A	25	LS-250-D	2-1/2"-3"	N/A	10
				LS-350-D	3-1/2"-4"	N/A	5

CONDUIT BODY COVERS ALUMINUM

Encloses conduit bodies



- Material:** Aluminum
Certifications: UL Listed
Notes: Screws included



ITEM#	TRADE SIZE	INNER QTY	MSTR. QTY	ITEM#	TRADE SIZE	INNER QTY	MSTR. QTY
LA-50	1/2"	N/A	50	LA-200	2"	N/A	25
LA-75	3/4"	N/A	50	LA-250	2-1/2"-3"	N/A	10
LA-100	1"	N/A	50	LA-350	3-1/2"-4"	N/A	5
LA-125	1-1/4"-1-1/2"	N/A	50				

CONDUIT BODY COVERS MALLEABLE

Encloses malleable iron conduit bodies

Material: Malleable Iron

Certifications: UL Listed,
Federal Spec. W-C-586D, NEMA: FB-1

Notes: Stainless steel captive crews included.
2-1/2" - 4" with raised dome for additional wiring room.



ITEM#	TRADE SIZE	INNER QTY	MASTER QTY
LM-50	1/2"	N/A	50
LM-75	3/4"	N/A	50
LM-100	1"	N/A	50
LM-125150	1-1/4"-1-1/2"	N/A	50
LM-200	2"	N/A	25
LM-250300	2-1/2"-3"	N/A	10
LM-350400	3-1/2"-4"	N/A	5

FIBER GASKETS

Provides dust-tight seal between conduit body and cover

Material: Fiber



ITEM#	TRADE SIZE	INNER QTY	MSTR. QTY	ITEM#	TRADE SIZE	INNER QTY	MSTR. QTY
LF-50	1/2"	100	1000	LF-200	2"	25	125
LF-75	3/4"	100	1000	LF-250	2-1/2"-3"	10	50
LF-100	1"	50	500	LF-350	3-1/2"-4"	N/A	10
LF-125	1-1/4"-1-1/2"	25	125				

NEOPRENE GASKETS

Provides dust and rain-tight seal between conduit body and cover

Material: Neoprene Rubber



ITEM#	TRADE SIZE	INNER QTY	MSTR. QTY	ITEM#	TRADE SIZE	INNER QTY	MSTR. QTY
LFN-50	1/2"	100	1000	LFN-200	2"	25	125
LFN-75	3/4"	100	1000	LFN-250	2-1/2"-3"	10	50
LFN-100	1"	50	500	LFN-350	3-1/2"-4"	N/A	10
LFN-125	1-1/4"-1-1/2"	50	500				

126

nipples, elbows & couplings



Madison Electric's nipples, elbows and couplings line is an extensive compilation of quality products. Just take a look to see for yourself. All of our UL listed nipples, elbows and couplings meet exacting standards rarely seen in the industry. We give you peace of mind that when you purchase from Madison, you are getting exactly what you need.

ME



MEproducts.net

RIGID CONDUIT NIPPLES

Extends a conduit system or connects two steel boxes or other metal enclosures

Material: Galvanized Steel

Certifications: UL Listed

Features: Threaded on both ends. Available in trade sizes from 1/2" through 6". Lengths range from close to 12"

Notes: **Bolded items are special order.**

Custom lengths longer than 12" available upon request.



ITEM#	TRADE SIZE	MSTR. QTY	ITEM#	INNER QTY	MSTR. QTY
N-50-CL	1/2" x CL	25	N-100400	1" x 4"	25
N-50150	1/2" x 1-1/2"	25	N-100500	1" x 5"	25
N-50200	1/2" x 2"	25	N-100600	1" x 6"	25
N-50250	1/2" x 2-1/2"	25	N-100700	1" x 7"	25
N-50300	1/2" x 3"	25	N-100800	1" x 8"	25
N-50350	1/2" x 3-1/2"	25	N-1001000	1" x 10"	25
N-50400	1/2" x 4"	25	N-1001200	1" x 12"	25
N-50500	1/2" x 5"	25	N-125-CL	1-1/4" x CL	25
N-50600	1/2" x 6"	25	N-125200	1-1/4" x 2"	25
N-50700	1/2" x 7"	25	N-125250	1-1/4" x 2-1/2"	25
N-50800	1/2" x 8"	25	N-125300	1-1/4" x 3"	25
N-501000	1/2" x 10"	25	N-125350	1-1/4" x 3-1/2"	25
N-501200	1/2" x 12"	25	N-125400	1-1/4" x 4"	25
N-75-CL	3/4" x CL	25	N-125500	1-1/4" x 5"	25
N-75150	3/4" x 1-1/2"	25	N-125600	1-1/4" x 6"	25
N-75200	3/4" x 2"	25	N-125700	1-1/4" x 7"	25
N-75250	3/4" x 2-1/2"	25	N-125800	1-1/4" x 8"	25
N-75300	3/4" x 3"	25	N-1251000	1-1/4" x 10"	25
N-75350	3/4" x 3-1/2"	25	N-1251200	1-1/4" x 12"	25
N-75400	3/4" x 4"	25	N-150-CL	1-1/2" x CL	25
N-75500	3/4" x 5"	25	N-150200	1-1/2" x 2"	25
N-75600	3/4" x 6"	25	N-150250	1-1/2" x 2-1/2"	25
N-75700	3/4" x 7"	25	N-150300	1-1/2" x 3"	25
N-75800	3/4" x 8"	25	N-150350	1-1/2" x 3-1/2"	25
N-751000	3/4" x 10"	25	N-150400	1-1/2" x 4"	25
N-751200	3/4" x 12"	25	N-150500	1-1/2" x 5"	25
N-100-CL	1" x CL	25	N-150600	1-1/2" x 6"	25
N-100200	1" x 2"	25	N-150700	1-1/2" x 7"	25
N-100250	1" x 2-1/2"	25	N-150800	1-1/2" x 8"	25
N-100300	1" x 3"	25	N-1501000	1-1/2" x 10"	25
N-100350	1" x 3-1/2"	25	N-1501200	1-1/2" x 12"	25

NIPPLES, ELBOWS & COUPLINGS



ITEM#	TRADE SIZE	MSTR. QTY	ITEM#	INNER QTY	MSTR. QTY
N-200-CL	2" x CL	25	N-350-CL	3-1/2" x CL	10
N-200250	2" x 2-1/2"	25	N-350400	3-1/2" x 4"	6
N-200300	2" x 3"	25	N-350500	3-1/2" x 5"	6
N-200350	2" x 3-1/2"	25	N-350600	3-1/2" x 6"	5
N-200400	2" x 4"	25	N-350700	3-1/2" x 7"	1
N-200500	2" x 5"	25	N-350800	3-1/2" x 8"	3
N-200600	2" x 6"	25	N-3501000	3-1/2" x 10"	3
N-200700	2" x 7"	12	N-3501200	3-1/2" x 12"	3
N-200800	2" x 8"	12	N-400-CL	4" x CL	10
N-2001000	2" x 10"	10	N-400400	4" x 4"	6
N-2001200	2" x 12"	10	N-400500	4" x 5"	6
N-250-CL	2-1/2" x CL	10	N-400600	4" x 6"	5
N-250300	2-1/2" x 3"	10	N-400700	4" x 7"	1
N-250350	2-1/2" x 3-1/2"	10	N-400800	4" x 8"	3
N-250400	2-1/2" x 4"	10	N-4001000	4" x 10"	3
N-250500	2-1/2" x 5"	10	N-4001200	4" x 12"	3
N-250600	2-1/2" x 6"	10	N-500-CL	5" x CL	1
N-250700	2-1/2" x 7"	1	N-500500	5" x 5"	1
N-250800	2-1/2" x 8"	10	N-500600	5" x 6"	1
N-2501000	2-1/2" x 10"	5	N-500700	5" x 7"	1
N-2501200	2-1/2" x 12"	5	N-500800	5" x 8"	1
N-300-CL	3" x CL	10	N-5001000	5" x 10"	1
N-300300	3" x 3"	10	N-5001200	5" x 12"	1
N-300350	3" x 3-1/2"	10	N-600-CL	6" x CL	1
N-300400	3" x 4"	10	N-600500	6" x 5"	1
N-300500	3" x 5"	10	N-600600	6" x 6"	1
N-300600	3" x 6"	10	N-600700	6" x 7"	1
N-300700	3" x 7"	1	N-600800	6" x 8"	1
N-300800	3" x 8"	10	N-6001000	6" x 10"	1
N-3001000	3" x 10"	5	N-6001200	6" x 12"	1
N-3001200	3" x 12"	5			

RIGID CONDUIT ELBOWS

Provides a change in direction
in a conduit run



Material: Galvanized Steel

Certifications: cULus Listed

Features: Threaded on both ends

Notes: **Bolded items are special order.**

Items sized 2-1/2" and larger ship in palletized cartons
or bulk with threaded protectors on both ends.



90° ANGLE

ITEM#	TRADE SIZE	RADIUS MIN.	LENGTH OF STRAIGHT MIN.	OFFSET MIN.	MASTER QTY
ELR-5090	1/2"	4"	1-1/2"	5-1/2"	50
ELR-7590	3/4"	4-1/2"	1-1/2"	6"	50
ELR-10090	1"	5-3/4"	1-7/8"	7-5/8"	25
ELR-12590	1-1/4"	7-1/4"	2"	9-1/4"	20
ELR-15090	1-1/2"	8-1/4"	2"	10-1/4"	15
ELR-20090	2"	9-1/2"	2"	11-1/2"	10
ELR-25090	2-1/2"	10-1/2"	3"	13-1/2"	1
ELR-30090	3"	13"	3-1/8"	16-1/8"	1
ELR-35090	3-1/2"	15"	3-1/4"	18-1/4"	1
ELR-40090	4"	16"	3-3/8"	19-3/8"	1
ELR-50090	5"	24"	3-5/8"	27-5/8"	1
ELR-60090	6"	30"	3-3/4"	33-3/4"	1

45° ANGLE

ITEM#	TRADE SIZE	RADIUS MIN.	LENGTH OF STRAIGHT MIN.	OFFSET MIN.	MASTER QTY
ELR-5045	1/2"	4"	1-1/2"	5-3/8"	50
ELR-7545	3/4"	4-1/2"	1-1/2"	5-3/4"	50
ELR-10045	1"	5-3/4"	1-7/8"	7-1/4"	25
ELR-12545	1-1/4"	7-1/4"	2"	8-1/2"	20
ELR-15045	1-1/2"	8-1/4"	2"	9-1/4"	15
ELR-20045	2"	9-1/2"	2"	10-1/8"	10
ELR-25045	2-1/2"	10-1/2"	3"	12-1/2"	1
ELR-30045	3"	13"	3-1/8"	14-1/2"	1
ELR-35045	3-1/2"	15"	3-1/4"	16-1/8"	1
ELR-40045	4"	16"	3-3/8"	17-1/8"	1
ELR-50045	5"	24"	3-5/8"	23-1/8"	1
ELR-60045	6"	30"	3-3/4"	27-5/8"	1

NIPPLES, ELBOWS & COUPLINGS

11.25° ANGLE

ITEM#	TRADE SIZE	RADIUS MIN.	MSTR. QTY	ITEM#	TRADE SIZE	RADIUS MIN.	MSTR. QTY
ELR-5011	1/2"	4"	50	ELR-25011	2-1/2"	10-1/2"	1
ELR-7511	3/4"	4-1/2"	50	ELR-30011	3"	13"	1
ELR-10011	1"	5-3/4"	25	ELR-35011	3-1/2"	15"	1
ELR-12511	1-1/4"	7-1/4"	20	ELR-40011	4"	16"	1
ELR-15011	1-1/2"	8-1/4"	15	ELR-50011	5"	24"	1
ELR-20011	2"	9-1/2"	10	ELR-60011	6"	30"	1

15° ANGLE

ITEM#	TRADE SIZE	RADIUS MIN.	MSTR. QTY	ITEM#	TRADE SIZE	RADIUS MIN.	MSTR. QTY
ELR-5015	1/2"	4"	50	ELR-25015	2-1/2"	10-1/2"	1
ELR-7515	3/4"	4-1/2"	50	ELR-30015	3"	13"	1
ELR-10015	1"	5-3/4"	25	ELR-35015	3-1/2"	15"	1
ELR-12515	1-1/4"	7-1/4"	20	ELR-40015	4"	16"	1
ELR-15015	1-1/2"	8-1/4"	15	ELR-50015	5"	24"	1
ELR-20015	2"	9-1/2"	10	ELR-60015	6"	30"	1

22.5° ANGLE

ITEM#	TRADE SIZE	RADIUS MIN.	MSTR. QTY	ITEM#	TRADE SIZE	RADIUS MIN.	MSTR. QTY
ELR-5022	1/2"	4"	50	ELR-25022	2-1/2"	10-1/2"	1
ELR-7522	3/4"	4-1/2"	50	ELR-30022	3"	13"	1
ELR-10022	1"	5-3/4"	25	ELR-35022	3-1/2"	15"	1
ELR-12522	1-1/4"	7-1/4"	20	ELR-40022	4"	16"	1
ELR-15022	1-1/2"	8-1/4"	15	ELR-50022	5"	24"	1
ELR-20022	2"	9-1/2"	10	ELR-60022	6"	30"	1

30° ANGLE

ITEM#	TRADE SIZE	RADIUS MIN.	MSTR. QTY	ITEM#	TRADE SIZE	RADIUS MIN.	MSTR. QTY
ELR-5030	1/2"	4"	50	ELR-25030	2-1/2"	10-1/2"	1
ELR-7530	3/4"	4-1/2"	50	ELR-30030	3"	13"	1
ELR-10030	1"	5-3/4"	25	ELR-35030	3-1/2"	15"	1
ELR-12530	1-1/4"	7-1/4"	20	ELR-40030	4"	16"	1
ELR-15030	1-1/2"	8-1/4"	15	ELR-50030	5"	24"	1
ELR-20030	2"	9-1/2"	10	ELR-60030	6"	30"	1

60° ANGLE

ITEM#	TRADE SIZE	RADIUS MIN.	MSTR. QTY	ITEM#	TRADE SIZE	RADIUS MIN.	MSTR. QTY
ELR-5060	1/2"	4"	50	ELR-25060	2-1/2"	10-1/2"	1
ELR-7560	3/4"	4-1/2"	50	ELR-30060	3"	13"	1
ELR-10060	1"	5-3/4"	25	ELR-35060	3-1/2"	15"	1
ELR-12560	1-1/4"	7-1/4"	20	ELR-40060	4"	16"	1
ELR-15060	1-1/2"	8-1/4"	15	ELR-50060	5"	24"	1
ELR-20060	2"	9-1/2"	10	ELR-60060	6"	30"	1

RIGID CONDUIT ELBOWS - 90° SPECIAL LARGE RADIUS

Provides a 90° change in direction in a conduit run

Material: Galvanized Steel

Certifications: UL Listed

Features: Threaded on both ends.

Notes: **Bolded items are special order.**

Items sized 2-1/2" and larger ship in palletized cartons or bulk with threaded protectors on both ends.



12" RADIUS

ITEM#	TRADE SIZE	RADIUS MIN.	MSTR. QTY	ITEM#	TRADE SIZE	RADIUS MIN.	MSTR. QTY
ELR-1009012	1"	4"	1	ELR-3009012	3"	9-1/2"	1
ELR-1259012	1-1/4"	4-1/2"	1	ELR-3509012	3-1/2"	10-1/2"	1
ELR-1509012	1-1/2"	5-3/4"	1	ELR-4009012	4"	13"	1
ELR-2009012	2"	7-1/4"	1	ELR-5009012	5"	15"	1
ELR-2509012	2-1/2"	8-1/4"	1	ELR-6009012	6"	16"	1

15" RADIUS

ITEM#	TRADE SIZE	RADIUS MIN.	MSTR. QTY	ITEM#	TRADE SIZE	RADIUS MIN.	MSTR. QTY
ELR-1009015	1"	4"	1	ELR-3009015	3"	9-1/2"	1
ELR-1259015	1-1/4"	4-1/2"	1	ELR-3509015	3-1/2"	10-1/2"	1
ELR-1509015	1-1/2"	5-3/4"	1	ELR-4009015	4"	13"	1
ELR-2009015	2"	7-1/4"	1	ELR-5009015	5"	15"	1
ELR-2509015	2-1/2"	8-1/4"	1	ELR-6009015	6"	16"	1

18" RADIUS

ITEM#	TRADE SIZE	RADIUS MIN.	MSTR. QTY	ITEM#	TRADE SIZE	RADIUS MIN.	MSTR. QTY
ELR-1009018	1"	4"	1	ELR-3009018	3"	9-1/2"	1
ELR-1259018	1-1/4"	4-1/2"	1	ELR-3509018	3-1/2"	10-1/2"	1
ELR-1509018	1-1/2"	5-3/4"	1	ELR-4009018	4"	13"	1
ELR-2009018	2"	7-1/4"	1	ELR-5009018	5"	15"	1
ELR-2509018	2-1/2"	8-1/4"	1	ELR-6009018	6"	16"	1

24" RADIUS

ITEM#	TRADE SIZE	RADIUS MIN.	MSTR. QTY	ITEM#	TRADE SIZE	RADIUS MIN.	MSTR. QTY
ELR-1009024	1"	4"	1	ELR-3009024	3"	9-1/2"	1
ELR-1259024	1-1/4"	4-1/2"	1	ELR-3509024	3-1/2"	10-1/2"	1
ELR-1509024	1-1/2"	5-3/4"	1	ELR-4009024	4"	13"	1
ELR-2009024	2"	7-1/4"	1	ELR-5009024	5"	15"	1
ELR-2509024	2-1/2"	8-1/4"	1	ELR-6009024	6"	16"	1

NIPPLES, ELBOWS & COUPLINGS



30" RADIUS

ITEM#	TRADE SIZE	RADIUS MIN.	MSTR. QTY	ITEM#	TRADE SIZE	RADIUS MIN.	MSTR. QTY
ELR-1009030	1"	4"	1	ELR-3009030	3"	9-1/2"	1
ELR-1259030	1-1/4"	4-1/2"	1	ELR-3509030	3-1/2"	10-1/2"	1
ELR-1509030	1-1/2"	5-3/4"	1	ELR-4009030	4"	13"	1
ELR-2009030	2"	7-1/4"	1	ELR-5009030	5"	15"	1
ELR-2509030	2-1/2"	8-1/4"	1	ELR-6009030	6"	16"	1

36" RADIUS

ITEM#	TRADE SIZE	RADIUS MIN.	MSTR. QTY	ITEM#	TRADE SIZE	RADIUS MIN.	MSTR. QTY
ELR-1009036	1"	4"	1	ELR-3009036	3"	9-1/2"	1
ELR-1259036	1-1/4"	4-1/2"	1	ELR-3509036	3-1/2"	10-1/2"	1
ELR-1509036	1-1/2"	5-3/4"	1	ELR-4009036	4"	13"	1
ELR-2009036	2"	7-1/4"	1	ELR-5009036	5"	15"	1
ELR-2509036	2-1/2"	8-1/4"	1	ELR-6009036	6"	16"	1

42" RADIUS

ITEM#	TRADE SIZE	RADIUS MIN.	MSTR. QTY	ITEM#	TRADE SIZE	RADIUS MIN.	MSTR. QTY
ELR-1009042	1"	4"	1	ELR-3009042	3"	9-1/2"	1
ELR-1259042	1-1/4"	4-1/2"	1	ELR-3509042	3-1/2"	10-1/2"	1
ELR-1509042	1-1/2"	5-3/4"	1	ELR-4009042	4"	13"	1
ELR-2009042	2"	7-1/4"	1	ELR-5009042	5"	15"	1
ELR-2509042	2-1/2"	8-1/4"	1	ELR-6009042	6"	16"	1

48" RADIUS

ITEM#	TRADE SIZE	RADIUS MIN.	MSTR. QTY	ITEM#	TRADE SIZE	RADIUS MIN.	MSTR. QTY
ELR-1009048	1"	4"	1	ELR-3009048	3"	9-1/2"	1
ELR-1259048	1-1/4"	4-1/2"	1	ELR-3509048	3-1/2"	10-1/2"	1
ELR-1509048	1-1/2"	5-3/4"	1	ELR-4009048	4"	13"	1
ELR-2009048	2"	7-1/4"	1	ELR-5009048	5"	15"	1
ELR-2509048	2-1/2"	8-1/4"	1	ELR-6009048	6"	16"	1

EMT CONDUIT ELBOWS

Provides a change in direction
in a conduit run



Material: Thin-Walled Galvanized Steel

Certifications: cULus Listed

Notes: **Bolded items are special order.** A selection of special radius elbows available upon request.



90° ANGLE

ITEM#	TRADE SIZE	RADIUS MIN.	LENGTH OF STRAIGHT MIN.	OFFSET MIN.	MASTER QTY
ELE-5090	1/2"	4"	1-1/2"	5-1/2"	50
ELE-7590	3/4"	4-1/2"	1-1/2"	6"	50
ELE-10090	1"	5-3/4"	1-7/8"	7-5/8"	25
ELE-12590	1-1/4"	7-1/4"	2"	9-1/4"	20
ELE-15090	1-1/2"	8-1/4"	2"	10-1/4"	15
ELE-20090	2"	9-1/2"	2"	11-1/2"	10
ELE-25090	2-1/2"	10-1/2"	3"	13-1/2"	1
ELE-30090	3"	13"	3-1/8"	16-1/8"	1
ELE-35090	3-1/2"	15"	3-1/4"	18-1/4"	1
ELE-40090	4"	16"	3-3/8"	19-3/8"	1

45° ANGLE

ITEM#	TRADE SIZE	RADIUS MIN.	LENGTH OF STRAIGHT MIN.	OFFSET MIN.	MASTER QTY
ELE-5045	1/2"	4"	1-1/2"	5-3/8"	50
ELE-7545	3/4"	4-1/2"	1-1/2"	5-3/4"	50
ELE-10045	1"	5-3/4"	1-7/8"	7-1/4"	25
ELE-12545	1-1/4"	7-1/4"	2"	8-1/2"	20
ELE-15045	1-1/2"	8-1/4"	2"	9-1/4"	15
ELE-20045	2"	9-1/2"	2"	10-1/8"	10
ELE-25045	2-1/2"	10-1/2"	3"	12-1/2"	1
ELE-30045	3"	13"	3-1/8"	14-1/2"	1
ELE-35045	3-1/2"	15"	3-1/4"	16-1/8"	1
ELE-40045	4"	16"	3-3/8"	17-1/8"	1

NIPPLES, ELBOWS & COUPLINGS

11.25° ANGLE

ITEM#	TRADE SIZE	RADIUS MIN.	MSTR. QTY	ITEM#	TRADE SIZE	RADIUS MIN.	MSTR. QTY
ELE-5011	1/2"	4"	50	ELE-20011	2"	9-1/2"	10
ELE-7511	3/4"	4-1/2"	50	ELE-25011	2-1/2"	10-1/2"	1
ELE-10011	1"	5-3/4"	25	ELE-30011	3"	13"	1
ELE-12511	1-1/4"	7-1/4"	20	ELE-35011	3-1/2"	15"	1
ELE-15011	1-1/2"	8-1/4"	15	ELE-40011	4"	16"	1

15° ANGLE

ITEM#	TRADE SIZE	RADIUS MIN.	MSTR. QTY	ITEM#	TRADE SIZE	RADIUS MIN.	MSTR. QTY
ELE-5015	1/2"	4"	50	ELE-20015	2"	9-1/2"	10
ELE-7515	3/4"	4-1/2"	50	ELE-25015	2-1/2"	10-1/2"	1
ELE-10015	1"	5-3/4"	25	ELE-30015	3"	13"	1
ELE-12515	1-1/4"	7-1/4"	20	ELE-35015	3-1/2"	15"	1
ELE-15015	1-1/2"	8-1/4"	15	ELE-40015	4"	16"	1

22.5° ANGLE

ITEM#	TRADE SIZE	RADIUS MIN.	MSTR. QTY	ITEM#	TRADE SIZE	RADIUS MIN.	MSTR. QTY
ELE-5022	1/2"	4"	50	ELE-20022	2"	9-1/2"	10
ELE-7522	3/4"	4-1/2"	50	ELE-25022	2-1/2"	10-1/2"	1
ELE-10022	1"	5-3/4"	25	ELE-30022	3"	13"	1
ELE-12522	1-1/4"	7-1/4"	20	ELE-35022	3-1/2"	15"	1
ELE-15022	1-1/2"	8-1/4"	15	ELE-40022	4"	16"	1

30° ANGLE

ITEM#	TRADE SIZE	RADIUS MIN.	MSTR. QTY	ITEM#	TRADE SIZE	RADIUS MIN.	MSTR. QTY
ELE-5030	1/2"	4"	50	ELE-20030	2"	9-1/2"	10
ELE-7530	3/4"	4-1/2"	50	ELE-25030	2-1/2"	10-1/2"	1
ELE-10030	1"	5-3/4"	25	ELE-30030	3"	13"	1
ELE-12530	1-1/4"	7-1/4"	20	ELE-35030	3-1/2"	15"	1
ELE-15030	1-1/2"	8-1/4"	15	ELE-40030	4"	16"	1

60° ANGLE

ITEM#	TRADE SIZE	RADIUS MIN.	MSTR. QTY	ITEM#	TRADE SIZE	RADIUS MIN.	MSTR. QTY
ELE-5060	1/2"	4"	50	ELE-20060	2"	9-1/2"	10
ELE-7560	3/4"	4-1/2"	50	ELE-25060	2-1/2"	10-1/2"	1
ELE-10060	1"	5-3/4"	25	ELE-30060	3"	13"	1
ELE-12560	1-1/4"	7-1/4"	20	ELE-35060	3-1/2"	15"	1
ELE-15060	1-1/2"	8-1/4"	15	ELE-40060	4"	16"	1

RIGID COUPLINGS

Joins 2 pieces of threaded Rigid/IMC conduit



Material: Galvanized Steel

ITEM#	TRADE SIZE	MIN. LENGTH	MSTR. QTY	ITEM#	TRADE SIZE	MIN. LENGTH	MSTR. QTY
RC-50	1/2"	1-5/8"	100	RC-250	2-1/2"	3-3/16"	24
RC-75	3/4"	1-41/64"	50	RC-300	3"	3-5/16"	16
RC-100	1"	1-31/32"	30	RC-350	3-1/2"	3-13/32"	12
RC-125	1-1/4"	2-1/32"	25	RC-400	4"	3-33/64"	10
RC-150	1-1/2"	2-1/16"	25	RC-500	5"	3-61/64"	1
RC-200	2"	2-1/8"	20	RC-600	6"	4-1/4"	1

SPLIT COUPLINGS MALLEABLE

Joins 2 pieces of threaded Rigid/IMC conduit when conduit is close to a wall, ceiling or other obstruction



Material: Malleable Iron & Neoprene Gasket

Certifications: UL Listed

Features: Concrete-tight

ITEM#	TRADE SIZE	MIN. LENGTH	MSTR. QTY	ITEM#	TRADE SIZE	MIN. LENGTH	MSTR. QTY
MSTC-50	1/2"	1-5/8"	100	MSTC-250	2-1/2"	3-3/16"	1
MSTC-75	3/4"	1-41/64"	50	MSTC-300	3"	3-5/16"	1
MSTC-100	1"	1-31/32"	25	MSTC-350	3-1/2"	3-13/32"	1
MSTC-125	1-1/4"	2-1/32"	25	MSTC-400	4"	3-33/64"	1
MSTC-150	1-1/2"	2-1/16"	10	MSTC-500	5"	3-61/64"	1
MSTC-200	2"	2-1/8"	1	MSTC-600	6"	4-1/4"	1

RUNNING THREAD

Hangs light duty pendant mount fixtures

Material: Electroplated Steel

Certifications: UL Listed

Notes: All items in 3 foot lengths.

Not to be used on conduit for connection at couplings.



ITEM#	TRADE SIZE	MIN. LENGTH	MSTR. QTY	ITEM#	TRADE SIZE	LENGTH	MSTR. QTY
RT-18	1/8"	3'	100	RT-150	1-1/2"	3'	24
RT-14	1/4"	3'	50	RT-200	2"	3'	16
RT-38	3/8"	3'	30	RT-250	2-1/2"	3'	12
RT-50	1/2"	3'	25	RT-300	3"	3'	10
RT-75	3/4"	3'	25	RT-350	3-1/2"	3'	1
RT-100	1"	3'	20	RT-400	4"	3'	1
RT-125	1-1/4"	3'					

RIGID RISERS

Used as a mast support for service entrance applications

Material: Galvanized Steel

Certifications: UL Listed

Features: Threaded on 2 ends

Notes: All items in 7 foot lengths



ITEM#	TRADE SIZE	LENGTH	MASTER QTY
RIS-2007T2	2"	7'	25
RIS-2507T2	2-1/2"	7'	25

ALUMINUM CONDUIT NIPPLES

Extends a conduit system or connects two boxes or other enclosures

Material: Aluminum

Certifications: UL Listed

Features: **Bolded items are special order.**

Threaded on both ends. Available in trade sizes from 1/2" through 6". Lengths range from close to 12".



ITEM#	TRADE SIZE	MSTR. QTY	ITEM#	INNER QTY	MSTR. QTY
AN-50-CL	1/2" x CL	25	AN-100400	1" x 4"	25
AN-50150	1/2" x 1-1/2"	25	AN-100500	1" x 5"	25
AN-50200	1/2" x 2"	25	AN-100600	1" x 6"	25
AN-50250	1/2" x 2-1/2"	25	AN-100800	1" x 8"	25
AN-50300	1/2" x 3"	25	AN-1001000	1" x 10"	25
AN-50350	1/2" x 3-1/2"	25	AN-1001200	1" x 12"	25
AN-50400	1/2" x 4"	25	AN-125-CL	1-1/4" x CL	25
AN-50500	1/2" x 5"	25	AN-125200	1-1/4" x 2"	25
AN-50600	1/2" x 6"	25	AN-125250	1-1/4" x 2-1/2"	25
AN-50800	1/2" x 8"	25	AN-125300	1-1/4" x 3"	25
AN-501000	1/2" x 10"	25	AN-125350	1-1/4" x 3-1/2"	25
AN-501200	1/2" x 12"	25	AN-125400	1-1/4" x 4"	25
AN-75-CL	3/4" x CL	25	AN-125500	1-1/4" x 5"	25
AN-75150	3/4" x 1-1/2"	25	AN-125600	1-1/4" x 6"	25
AN-75200	3/4" x 2"	25	AN-125800	1-1/4" x 8"	25
AN-75250	3/4" x 2-1/2"	25	AN-1251000	1-1/4" x 10"	25
AN-75300	3/4" x 3"	25	AN-1251200	1-1/4" x 12"	25
AN-75350	3/4" x 3-1/2"	25	AN-150-CL	1-1/2" x CL	25
AN-75400	3/4" x 4"	25	AN-150200	1-1/2" x 2"	25
AN-75500	3/4" x 5"	25	AN-150250	1-1/2" x 2-1/2"	25
AN-75600	3/4" x 6"	25	AN-150300	1-1/2" x 3"	25
AN-75800	3/4" x 8"	25	AN-150350	1-1/2" x 3-1/2"	25
AN-751000	3/4" x 10"	25	AN-150400	1-1/2" x 4"	25
AN-751200	3/4" x 12"	25	AN-150500	1-1/2" x 5"	25
AN-100-CL	1" x CL	25	AN-150600	1-1/2" x 6"	25
AN-100200	1" x 2"	25	AN-150800	1-1/2" x 8"	25
AN-100250	1" x 2-1/2"	25	AN-1501000	1-1/2" x 10"	25
AN-100300	1" x 3"	25	AN-1501200	1-1/2" x 12"	25
AN-100350	1" x 3-1/2"	25			

NIPPLES, ELBOWS & COUPLINGS



ITEM#	TRADE SIZE	MSTR. QTY	ITEM#	INNER QTY	MSTR. QTY
AN-200-CL	2" x CL	25	AN-350-CL	3-1/2" x CL	10
AN-200250	2" x 2-1/2"	25	AN-350400	3-1/2" x 4"	6
AN-200300	2" x 3"	25	AN-350500	3-1/2" x 5"	6
AN-200350	2" x 3-1/2"	25	AN-350600	3-1/2" x 6"	5
AN-200400	2" x 4"	25	AN-350800	3-1/2" x 8"	3
AN-200500	2" x 5"	25	AN-3501000	3-1/2" x 10"	3
AN-200600	2" x 6"	25	AN-3501200	3-1/2" x 12"	3
AN-200800	2" x 8"	12	AN-400-CL	4" x CL	10
AN-2001000	2" x 10"	10	AN-400400	4" x 4"	6
AN-2001200	2" x 12"	10	AN-400500	4" x 5"	6
AN-250-CL	2-1/2" x CL	10	AN-400600	4" x 6"	5
AN-250300	2-1/2" x 3"	10	AN-400800	4" x 8"	3
AN-250350	2-1/2" x 3-1/2"	10	AN-4001000	4" x 10"	3
AN-250400	2-1/2" x 4"	10	AN-4001200	4" x 12"	3
AN-250500	2-1/2" x 5"	10	AN-500-CL	5" x CL	1
AN-250600	2-1/2" x 6"	10	AN-500500	5" x 5"	1
AN-250800	2-1/2" x 8"	10	AN-500600	5" x 6"	1
AN-2501000	2-1/2" x 10"	5	AN-500800	5" x 8"	1
AN-2501200	2-1/2" x 12"	5	AN-5001000	5" x 10"	1
AN-300-CL	3" x CL	10	AN-5001200	5" x 12"	1
AN-300300	3" x 3"	10	AN-600-CL	6" x CL	1
AN-300350	3" x 3-1/2"	10	AN-600500	6" x 5"	1
AN-300400	3" x 4"	10	AN-600600	6" x 6"	1
AN-300500	3" x 5"	10	AN-600800	6" x 8"	1
AN-300600	3" x 6"	10	AN-6001000	6" x 10"	1
AN-300800	3" x 8"	10	AN-6001200	6" x 12"	1
AN-3001000	3" x 10"	5			
AN-3001200	3" x 12"	5			

ALUMINUM CONDUIT ELBOWS

Provides a change in direction in a conduit run



Material: Aluminum

Certifications: UL Listed

Features: Threaded on both ends.

Notes: **Bolded items are special order.**

Items sized 2-1/2" and larger ship in palletized cartons or bulk with threaded protectors on both ends. A selection of special radius elbows available upon request.



90° ANGLE

ITEM#	TRADE SIZE	RADIUS MIN.	LENGTH OF STRAIGHT MIN.	OFFSET MIN.	MASTER QTY
ELA-5090	1/2"	4"	1-1/2"	5-1/2"	50
ELA-7590	3/4"	4-1/2"	1-1/2"	6"	50
ELA-10090	1"	5-3/4"	1-7/8"	7-5/8"	25
ELA-12590	1-1/4"	7-1/4"	2"	9-1/4"	20
ELA-15090	1-1/2"	8-1/4"	2"	10-1/4"	15
ELA-20090	2"	9-1/2"	2"	11-1/2"	10
ELA-25090	2-1/2"	10-1/2"	3"	13-1/2"	1
ELA-30090	3"	13"	3-1/8"	16-1/8"	1
ELA-35090	3-1/2"	15"	3-1/4"	18-1/4"	1
ELA-40090	4"	16"	3-3/8"	19-3/8"	1
ELA-50090	5"	24"	3-5/8"	27-5/8"	1
ELA-60090	6"	30"	3-3/4"	33-3/4"	1

45° ANGLE

ITEM#	TRADE SIZE	RADIUS MIN.	LENGTH OF STRAIGHT MIN.	OFFSET MIN.	MASTER QTY
ELA-5045	1/2"	4"	1-1/2"	5-3/8"	50
ELA-7545	3/4"	4-1/2"	1-1/2"	5-3/4"	50
ELA-10045	1"	5-3/4"	1-7/8"	7-1/4"	25
ELA-12545	1-1/4"	7-1/4"	2"	8-1/2"	20
ELA-15045	1-1/2"	8-1/4"	2"	9-1/4"	15
ELA-20045	2"	9-1/2"	2"	10-1/8"	10
ELA-25045	2-1/2"	10-1/2"	3"	12-1/2"	1
ELA-30045	3"	13"	3-1/8"	14-1/2"	1
ELA-35045	3-1/2"	15"	3-1/4"	16-1/8"	1
ELA-40045	4"	16"	3-3/8"	17-1/8"	1
ELA-50045	5"	24"	3-5/8"	23-1/8"	1
ELA-60045	6"	30"	3-3/4"	27-5/8"	1

ALUMINUM COUPLINGS

Joins 2 pieces of Aluminum conduit

Material: Aluminum

Notes: Manufactured per UL Standard UL6



ITEM#	TRADE SIZE	MIN. LENGTH	MSTR. QTY	ITEM#	TRADE SIZE	MIN. LENGTH	MSTR. QTY
ARC-50	1/2"	1-9/16"	100	ARC-250	2-1/2"	3-1/8"	24
ARC-75	3/4"	1-5/8"	50	ARC-300	3"	3-1/4"	16
ARC-100	1"	2"	30	ARC-350	3-1/2"	3-3/8"	12
ARC-125	1-1/4"	2-1/16"	25	ARC-400	4"	3-1/2"	10
ARC-150	1-1/2"	2-1/16"	25	ARC-500	5"	3-3/4"	1
ARC-200	2"	2-1/8"	20	ARC-600	6"	4"	1



Let's get social!

Industry news. Product innovations.

Marketing insights. We cover it all through a variety of social networks. Connect with us, and stay up to date on what's new.

142

hangers & supports



Innovation. It's what Madison is all about. Check out our Madison Strap, the product that started it all. Invented in 1929 by our founder Earl Adkinson, Madison has been on the cutting edge of electrical products ever since. Our newest support innovation for the 21st century is the UL listed Clip-It. All of our hangers and supports are made of high quality materials and produced to exacting standards. From Madison Straps to Clip-It and everything in between, Madison has the hangers and supports you need to get the job done right!

ME



MEproducts.net



CLIP-IT™ STUD STRAPS



Secures MC/AC cable to studs

Material: Sturdy Polycarbonate

Certifications: UL Listed

Features: Holds MC/AC cable 12/2 through 10/3, eliminating the unsightly sagging you get with other supports. Can be used universally. Clip-it meets NEC 2008 code for plenum ratings, and tested tough enough to be used in environments -30°F thru 250° F. Fits MC/AC cable 12/2 thru 10/3. Environmentally friendly.

Notes: Plenum rated. Take a look at the new Low Voltage strap shown on page xxxii.



ITEM#	DESCRIPTION	TRADE SIZE	INNER QTY	MASTER QTY
MS-AK250	3 CIRCUIT STRAP	2-1/2"	120	720
MS-AK02LV	2 CIRCUIT LOW VOLTAGE STRAP	4"	100	600
MH-AK02	2 CIRCUIT HORIZONTAL STRAP	4"	100	600
MAK6-4	4 CIRCUIT STRAP	6"	10	250
MBD214-1	1 CIRCUIT PIGGY-BACK CLIP	1/2"	100	600



CLIP-IT™ CHANNEL CLIPS



Secures MC/AC cable and conduit pipe to channel strips

Material: Sturdy Polycarbonate

Certifications: UL Listed

Features: Snap the MC Clip into the Channel Strip or Center Stud Strap, and snap your cables in place. Clip-it keeps your cables tidy. Withstands harsh environments -30°F to 250°F. Fits MC/AC cable 12/2 thru 10/3. Fits 1/2" thru 1" PVC, Rigid and EMT conduit. Environmentally friendly.

Notes: Plenum rated



ITEM#	DESCRIPTION	TRADE SIZE	INNER QTY	MASTER QTY
MAG840	1/2" MC/AC CABLE CLIP	1/2"	100	600
MKM28	1/2" CONDUIT CLIP	1/2"	100	600
MKM30	3/4" CONDUIT CLIP	3/4"	100	600
MKM32	1" CONDUIT CLIP	1"	100	600



CLIP-IT™ CHANNEL STRIPS



Secures channel clips to wall or in between studs

Material: Sturdy Polycarbonate

Certifications: UL Listed

Features: Snap the MC Clip into the Channel Strip or Center Stud Strap and snap your cables in place. Channel Strip comes in standard 20 in. lengths and can be cut to your required size. With only three screws, you have the flexibility to support up to 20 cables at a time. Center stud strap adjusts to fit between 2 studs. Withstands harsh environments -30°F to 250°F. Fits MC/AC cable 12/2 thru 10/3. Fits 1/2" thru 1" PVC, Rigid and EMT conduit. Environmentally friendly.

Notes: Plenum rated



ITEM#	DESCRIPTION	TRADE SIZE	INNER QTY	MASTER QTY
MRN236	20" CHANNEL STRIP	20"	10	250
MRN237	14" CENTER STUD STRAP	14"	10	40



CLIP-IT™ BAR JOIST CLIP



Secures MC/AC cable

Material: Sturdy Polycarbonate

Certifications: UL Listed

Features: The Bar Joist Clip is the easiest way to run your MC/AC cable. No need for a beam clamp. No tools necessary. Snap it on to a beam or bar joist on and you are ready to install. 360° swivel head and patented rifling. Withstands harsh environments -30°F to 250°F. Fits MC/AC cable 12/2 thru 10/3. Environmentally friendly.

Notes: Plenum rated



ITEM#	DESCRIPTION	TRADE SIZE	INNER QTY	MASTER QTY
MJV-840	1/2" BAR JOIST CLIP	1/2"	100	600

CONDUIT HANGERS

Secures EMT or Rigid conduit to threaded rod, insulator supports, or mounting surface

Material: Bright Zinc Electroplated Steel

Certifications: UL Listed (sizes 3/8" - 2" only)

Features: 3/8" - 2" are self threading, nut not required



ITEM#	RIGID	EMT	INNER QTY	MASTER QTY
0-CH	3/8"	1/2"	N/A	100
1-CH	3/4"	3/4"	N/A	100
2-CH	1"	1"	N/A	100
2-1/2-CH	-	1-1/4"	N/A	100
3-CH	1-1/4"	1-1/2"	N/A	100
4-CH	1-1/2"	-	N/A	100
5-CH	2"	2"	N/A	50
6-CH	2-1/2"	2-1/2"	N/A	50
7-CH	3"	3"	N/A	25
8-CH	3-1/2"	3-1/2"	N/A	25
9-CH	4"	4"	N/A	25

CONDUIT HANGERS W/BOLT

Secures EMT or Rigid conduit to threaded rod, insulator supports, or mounting surface

Material: Bright Zinc Electroplated Steel

Certifications: cULus Listed

Features: 3/8" - 2" are self threading, nut not required



ITEM#	RIGID	EMT	INNER QTY	MASTER QTY
0-WBA	3/8"	1/2"	N/A	100
1-WBA	3/4"	3/4"	N/A	100
2-WBA	1"	1"	N/A	100
2-1/2-WBA	-	1-1/4"	N/A	100
3-WBA	1-1/4"	1-1/2"	N/A	100
4-WBA	1-1/2"	-	N/A	100
5-WBA	2"	2"	N/A	50
6-WBA	2-1/2"	2-1/2"	N/A	50
7-WBA	3"	3"	N/A	25
8-WBA	3-1/2"	3-1/2"	N/A	25
9-WBA	4"	4"	N/A	25

CONDUIT HANGERS STAINLESS W/NUT & BOLT

Secures EMT or Rigid conduit to threaded rod, insulator supports, or mounting surface



Material: Stainless Steel - Type 301

Certifications: cULus Listed,
Federal Spec. W-F-40BE, NEMA: FB-1



ITEM#	RIGID	EMT	INNER QTY	MASTER QTY
0-WBAS	3/8"	1/2"	N/A	100
1-WBAS	3/4"	3/4"	N/A	100
2-WBAS	1"	1"	N/A	100
2-1/2-WBAS	-	1-1/4"	N/A	100
3-WBAS	1-1/4"	1-1/2"	N/A	100
4-WBAS	1-1/2"	-	N/A	100
5-WBAS	2"	2"	N/A	50
6-WBAS	2-1/2"	2-1/2"	N/A	50
7-WBAS	3"	3"	N/A	25
8-WBAS	3-1/2"	3-1/2"	N/A	25
9-WBAS	4"	4"	N/A	25

RIGID 1-HOLE STRAPS STEEL

Supports Rigid/IMC conduit to mounting surface



Material: Bright Zinc Electroplated Steel

Features: Reinforced rib & holes for extra strength.
Snap-on feature.

Notes: 2-1/2" - 4" suitable for EMT conduit

ITEM#	TRADE SIZE	INNER QTY	MSTR. QTY	ITEM#	TRADE SIZE	INNER QTY	MSTR. QTY
700	3/8"	100	1000	706	2"	10	50
701	1/2"	100	500	1707	2-1/2"	10	50
702	3/4"	50	250	1708	3"	5	25
703	1"	20	200	1709	3-1/2"	5	25
704	1-1/4"	20	100	1710	4"	5	25
705	1-1/2"	10	100				

RIGID 1-HOLE STRAPS MALLEABLE

Supports Rigid/IMC conduit to mounting surface

Material: Malleable Iron, Zinc Plated

Certifications: UL Listed

Features: Heavy duty casting



ITEM#	TRADE SIZE	INNER QTY	MSTR. QTY	ITEM#	TRADE SIZE	INNER QTY	MSTR. QTY
801	1/2"	25	250	807	2-1/2"	5	25
802	3/4"	25	250	808	3"	N/A	5
803	1"	25	125	809	3-1/2"	N/A	5
804	1-1/4"	20	100	810	4"	N/A	5
805	1-1/2"	10	100	811	5"	N/A	2
806	2"	10	50	812	6"	N/A	2

RIGID 2-HOLE STRAPS STEEL

Supports Rigid/IMC conduit to mounting surface

Material: Bright Zinc Electroplated Steel (1/2"-1") Or Galvanized Steel (1-1/4"-4")

Certifications: cULus Listed (except 123)

Features: Reinforced rib or extra strength. Snap-on feature.



ITEM#	TRADE SIZE	INNER QTY	MSTR. QTY	ITEM#	TRADE SIZE	INNER QTY	MSTR. QTY
123	3/8"	100	500	129	2"	N/A	50
124	1/2"	100	500	130	2-1/2"	N/A	50
125	3/4"	50	250	131	3"	N/A	25
126	1"	25	125	132	3-1/2"	N/A	25
127	1-1/4"	N/A	50	133	4"	N/A	20
128	1-1/2"	N/A	50				

EMT 1-HOLE STRAPS STEEL

Supports EMT conduit to mounting surface



Material: Bright Zinc Electroplated Steel

Certifications: UL Listed (1/2" - 1" only)

Features: Reinforced rib & holes for extra strength.

Snap-on feature.



ITEM#	TRADE SIZE	INNER QTY	MSTR. QTY	ITEM#	TRADE SIZE	INNER QTY	MSTR. QTY
1701	1/2"	100	1000	1706	2"	20	100
1702	3/4"	100	500	1707	2-1/2"	10	50
1703	1"	100	500	1708	3"	5	25
1704	1-1/4"	20	200	1709	3-1/2"	5	25
1705	1-1/2"	20	100	1710	4"	5	25

EMT 2-HOLE STRAPS STEEL

Supports EMT conduit to mounting surface



Material: Bright Zinc Electroplated Steel

(1/2"-1") Or Galvanized Steel (1-1/4"-4")

Certifications: cULus Listed

Features: Reinforced rib for extra strength. Snap-on feature.

Notes: 130-133 for use with EMT and Rigid.



ITEM#	TRADE SIZE	INNER QTY	MSTR. QTY	ITEM#	TRADE SIZE	INNER QTY	MSTR. QTY
1124	1/2"	100	500	1129	2"	N/A	50
1125	3/4"	100	500	130	2-1/2"	N/A	50
1126	1"	50	250	131	3"	N/A	25
1127	1-1/4"	N/A	50	132	3-1/2"	N/A	25
1128	1-1/2"	N/A	50	133	4"	N/A	20

EMT 1-HOLE STRAPS BEND SAVER - STEEL

Supports EMT conduit to mounting surface

Material: Steel

Certifications: UL Listed,
Federal Spec. W-F-408E, NEMA FB-1

Features: Standoff design eliminates conduit bending
and provides alignment with electrical box knockouts.



ITEM#	TRADE SIZE	INNER QTY	MASTER QTY
1701-BS	1/2"	50	500
1702-BS	3/4"	50	500

SERVICE ENTRANCE 1-HOLE STRAPS - STEEL

Supports service entrance cable,
types SE & SEU, to mounting surface

Material: Cold Rolled Steel, Zinc Plated



ITEM#	TRADE SIZE	INNER QTY	MASTER QTY
260	#8, #2 OR 1/2" ROUND	100	1000
261	3 #8, #6 OR #4 OVAL	100	1000
262	3 #3 OR #2	100	1000
263	3 #1, #1/0, #2 OR #2/0	25	250
264	3 #4/0	20	100

SERVICE ENTRANCE 1-HOLE STRAPS - ALUMINUM

Supports service entrance cable,
types SE & SEU, to mounting surface

Material: Stamped Aluminum



ITEM#	TRADE SIZE	INNER QTY	MASTER QTY
361	3 #8, #6, OR #4 OVAL CABLE	100	1000
362	3 #3 OR #2	100	1000
363	3 #1/0 OR #2/0	25	250
364	3 #3/0 OR #4/0	20	100

SERVICE ENTRANCE 2-HOLE STRAPS - STEEL

Supports oval service entrance cable, types SE & SEU, to mounting surface



Material: Galvanized Steel

ITEM#	TRADE SIZE	INNER QTY	MASTER QTY
220	3 #8 OR #6	100	1000
221	3 #4 OR #3	100	1000
222	#1/0 OR #2/0	25	250
223	#4/0	20	100

NON-METALLIC 1-HOLE CABLE STRAPS

Secures ROMEX® or non-metallic sheathed cable to wood or masonry



Material: Cold Rolled Steel, Zinc Plated

Notes: Fits wire sizes 14, 12, and 10, in 2 or 3 conductor, with or without ground. Also 14 in UF.

ITEM#	INNER QTY	MASTER QTY
134-1	100	1000
134-5	500	2500

NON-METALLIC 2-HOLE CABLE STRAPS

Secures ROMEX® or non-metallic sheathed cable to wood or masonry



Material: Galvanized Steel

Notes: Fits wire sizes 14, 12, and 10, in 2 or 3 conductor, with or without ground. 14-2, 14-3, 12-2, and 10-2, with or without ground. Also UF, 14-2, 14-3, and 12-2 with or without ground.

ITEM#	INNER QTY	MASTER QTY
135-1	100	1000

MIDGET 1-HOLE STRAPS

Secures bare solid wire to a working surface

Material: Cold Rolled Steel, Zinc Plated



ITEM#	TRADE SIZE	INNER QTY	MASTER QTY
162	1/8" O.D., 16/3 CABLE	100	800
164	1/4" O.D.	100	800
166	3/8" O.D.	100	800

AC/MC 1-HOLE STRAPS

Supports armored or metal-clad cable

Material: Steel

Features: An inverted rib provides more strength to keep your cable secure



ITEM#	TRADE SIZE	INNER QTY	MASTER QTY
698	3/8"	100	1000
699	1/4"	100	100

MC/AC CABLE STRAPS

Secures cable to stud

Material: Galvanized Steel

Certifications: UL Listed, conforms to NEC 300-4D

Notes: Maximum 4 - 12/3 with ground MC/AC cables



ITEM#	TRADE SIZE	INNER QTY	MASTER QTY
680	12/3	100	1000

INSULATED CABLE STAPLE

Secures and protects non-metallic BX, MC, AC & UF cable

Material: Steel Nail, Plastic Insulator

Features: Plastic insulator protects cable

Notes: Accepts non-metallic sheathed cable



ITEM#	TRADE SIZE	CABLE RANGE	INNER QTY	MASTER QTY
30V-2	1/2" x 1"	#14/2 OR #12/2	500	5000

INSULATED CABLE STAPLE 2 NAIL

Secures ROMEX® or non-metallic sheathed cable to wood surface

Material: Steel Nail, Plastic Insulator

Features: Plastic insulator protects cable.

Nails drive together to keep wood from splitting.



ITEM#	CABLE RANGE	INNER QTY	MASTER QTY
20W-1	#14/2 OR #12/2 W/GROUND OR 1/2" CABLE	100	2500
20W-5	#14/2 OR #12/2 W/GROUND OR 1/2" CABLE	500	2500
30W-5	#14/3 OR #12/3 - #10/3 W/GROUND OR 3/4" CABLE	N/A	500
30W-50	#14/3 OR #12/3 - #10/3 W/GROUND OR 3/4" CABLE	50	1000

STAPLES

Secures ROMEX® or non-metallic sheathed cable to wood surface

Material: Steel Wire

Features: Flat, indented head, for #14/2 or #12/2 with ground non-metallic sheathed cable.

Notes: M suffix denotes pail pack.



ITEM#	TRADE SIZE	INNER QTY	MASTER QTY
30-1	1/2" x 1"	100	5000
30-5	1/2" x 1"	500	5000
30-5M	1/2" x 1"	N/A	5000

ROMEX®/BX STAPLES

Secures ROMEX® or non-metallic sheathed cable, BX and flexible conduit to wood or masonry

Material: Steel Wire

Features: Flat indented head, for #14/3 - #12/3 and 10/3 non-metallic sheathed cable BX, or 3/8" flex

Notes: M suffix denotes pail pack



ITEM#	TRADE SIZE	INNER QTY	MASTER QTY
31-1	9/16" x 1-1/4"	100	5000
31-5	9/16" x 1-1/4"	500	5000
31-5M	9/16" x 1-1/4"	N/A	5000

SERVICE ENTRANCE STAPLES

Secures ROMEX® or non-metallic sheathed cable, BX and flexible conduit to wood or masonry



Material: Steel Wire

Features: Pointed offset to drive in straight

ITEM#	TRADE SIZE	CABLE RANGE	INNER QTY	MASTER QTY
32-1	3/4" x 1-5/16"	#6/3 SEU	100	1000
34-1	1" x 1"	#2/3 SEU	100	1000
36-1	1-5/8" x 2-1/8"	#4/0 SE	100	500

NAIL STRAPS

Secures EMT and Rigid/IMC conduit

Material: Steel Wire

Notes: For wood



ITEM#	RIGID	EMT	INNER QTY	MASTER QTY
600	3/8"	1/2"	100	1000
605	1/2"	3/4"	100	1000
615	3/4"	1"	100	1000

NAIL STRAPS - HEAVY DUTY

Secures EMT and Rigid/IMC conduit

Material: Stamped Steel, Zinc Electroplated

Notes: For wood or masonry



ITEM#	RIGID	EMT	INNER QTY	MASTER QTY
1600	3/8"	1/2"	100	1000
1605	1/2"	3/4"	100	1000
1615	3/4"	1"	100	1000

NAIL STRAPS - CAST STEEL

Secures EMT and Rigid/IMC conduit

Material: Cast Steel, Zinc Plated

Features: Tensile strength is 30% higher than malleable iron. Withstands greater striking force.



ITEM#	RIGID	EMT	INNER QTY	MASTER QTY
1600-CS	3/8"	1/2"	100	1000
1605-CS	1/2"	3/4"	100	1000
1615-CS	1"	1"	100	1000

MADISON TIE-ITS

Secures and bundles wires

Material: Nylon

Features: Nylon ratchet lock construction eliminates corrosion-prone metallic inserts. No tools required for permanent, secure tie. UV nylon black color protects against UV rays.

Color: Standard - Natural, UV - Black



STANDARD - NATURAL

ITEM#	LENGTH	BUNDLE DIA.	INNER QTY	MASTER QTY
1780	4"	1/16" - 7/8"	500	2500
1782	5"	1/16" - 1-1/4"	500	2500
1783	7"	1/16" - 1-3/4"	500	2000
1784	11"	1/16" - 3"	100	500
1785	14"	1/4" - 4"	100	500
1786	24"	3/16" - 7-1/4"	50	250
1787	30"	3/16" - 9"	50	250

UV - BLACK

ITEM#	LENGTH	BUNDLE DIA.	INNER QTY	MASTER QTY
1780-UV	4"	1/16" - 7/8"	500	2500
1782-UV	5"	1/16" - 1-1/4"	500	2500
1783-UV	7"	1/16" - 1-3/4"	500	2000
1784-UV	11"	1/16" - 3"	100	500
1785-UV	14"	1/4" - 4"	100	500
1786-UV	24"	3/16" - 7-1/4"	50	250
1787-UV	30"	3/16" - 9"	50	250

NYLON CABLE CLAMPS

Secures cable or tubing

Material: Nylon

Notes: Non-conductive, non-corrosive, resistant to fuels, lubricants, and most chemicals

Color: Natural White



ITEM#	TRADE SIZE	INNER QTY	MSTR. QTY	ITEM#	TRADE SIZE	INNER QTY	MSTR. QTY
1720	1/8" x 3/8"	100	1000	1735	5/8" x 1/2"	100	1000
1722	1/4" x 3/8"	100	1000	1738	1-3/16" x 1/2"	100	1000
1724	3/8" x 3/8"	100	1000	1740	1" x 1/2"	50	500
1726	1/2" x 3/8"	100	1000	1743	1-1/4" x 1/2"	50	500

BEAM CLAMPS - STEEL

Single screw beam clamp conduit support with two threaded holes

Material: Stamped Steel, Square Head Hardened Steel Bolt

Features: Side and bottom tapped holes



ITEM#	TRADE SIZE	JAW OPENING	HOLE SIZE	INNER QTY	MASTER QTY
25	1"	11/16"	1/4" - 20	N/A	50

BEAM CLAMPS - MALLEABLE

Single screw beam clamp conduit support with two threaded holes

Material: Malleable Iron, Square Head Hardened Steel Bolt

Features: Side and bottom tapped holes



ITEM#	TRADE SIZE	JAW OPENING	HOLE SIZE	INNER QTY	MASTER QTY
26	1"	3/4"	1/4" - 20	N/A	50
27	2"	7/8"	3/8" - 16	N/A	10
29	2-1/2"	1-3/16"	1/2" - 13	N/A	10

BEAM C-CLAMPS - STEEL

Supports oval service entrance cable, types SE & SEU, to mounting surface

Material: Steel

Certifications: UL Listed, Federal Spec. WW-H121 (Type 23)



ITEM#	TRADE SIZE	JAW OPENING	MAX. LOAD	INNER QTY	MASTER QTY
250	3/8"	13/16"	400 lbs.	N/A	100
251	1/2"	13/16"	500 lbs.	N/A	100

PIPE CLAMPS - MALLEABLE

Secures conduit to beam or channel

Material: Malleable Iron, Hot Dipped Zinc Plating (U-bolts), Malleable Iron, Hot Dipped Galvanized (right angle & parallel)

Certifications: UL Listed

Notes: For use with Rigid/IMC conduit



U-BOLTS

ITEM#	TRADE SIZE	INNER QTY	MSTR. QTY	ITEM#	TRADE SIZE	INNER QTY	MSTR. QTY
331	1/2"	N/A	50	336	2"	N/A	50
332	3/4"	N/A	50	337	2-1/2"	N/A	10
333	1"	N/A	50	338	3"	N/A	10
334	1-1/4"	N/A	50	339	3-1/2"	N/A	10
335	1-1/2"	N/A	50	340	4"	N/A	10

RIGHT ANGLE

ITEM#	TRADE SIZE	INNER QTY	MSTR. QTY	ITEM#	TRADE SIZE	INNER QTY	MSTR. QTY
341	1/2"	N/A	50	346	2"	N/A	50
342	3/4"	N/A	50	347	2-1/2"	N/A	10
343	1"	N/A	50	348	3"	N/A	10
344	1-1/4"	N/A	50	349	3-1/2"	N/A	10
345	1-1/2"	N/A	50	350	4"	N/A	10

PARALLEL

ITEM#	TRADE SIZE	INNER QTY	MSTR. QTY	ITEM#	TRADE SIZE	INNER QTY	MSTR. QTY
341-P	1/2"	N/A	50	346-P	2"	N/A	25
342-P	3/4"	N/A	50	347-P	2-1/2"	N/A	10
343-P	1"	N/A	50	348-P	3"	N/A	10
344-P	1-1/4"	N/A	25	349-P	3-1/2"	N/A	10
345-P	1-1/2"	N/A	25	350-P	4"	N/A	10

UNIVERSAL CLAMP BACK SPACERS - PLASTIC

Mounting spacer for EMT and Rigid/IMC conduit



Material: PVC

Features: Designed to stack one on another for any height needed

Notes: For use with conduit sizes 1/2" - 1"

Color: Gray

ITEM#	INNER QTY	MASTER QTY
1180	50	500

CLAMP BACKS MALLEABLE

Provides space between conduit and mounting surface



Material: Malleable Iron, Zinc Plated

Certifications: UL Listed (1/2" - 4" only)

Notes: For use with malleable or aluminum straps



ITEM#	TRADE SIZE	INNER QTY	MSTR. QTY	ITEM#	TRADE SIZE	INNER QTY	MSTR. QTY
1170	1/2"	25	250	1176	2-1/2"	5	25
1171	3/4"	25	250	1177	3"	N/A	10
1172	1"	25	125	1178	3-1/2"	N/A	10
1173	1-1/4"	20	100	1179	4"	N/A	10
1174	1-1/2"	10	100	1179A	5"	N/A	2
1175	2"	10	50	1179B	6"	N/A	2

PERFORATED HANGER STRAP

Straps and supports pipe and used in other fastening applications



Material: Galvanized Steel

ITEM#	TRADE SIZE	INNER QTY	MASTER QTY
81	3/4"	N/A	24

FIXTURE HANGERS MALLEABLE

Ball-type swivel fixture covers for pendant mounted fixtures



Material: Malleable Iron

Certifications: UL Listed, Federal Spec. W-F-408E, NEMA: FB-1

Features: Suitable for damp locations

Notes: For use with 1/2" or 3/4" fixture conduit stems, octagonal or square boxes



ITEM#	TRADE SIZE	BASE	MAX LOAD	INNER QTY	MASTER QTY
MFHR50-75	4-1/8"	ROUND	50 lbs.	2	10
MFHS50-75	4-1/8"	SQUARE	50 lbs.	2	10

S-HOOKS

Attaches accessories to chain



Material: Steel, Zinc Plated

ITEM#	TRADE SIZE	WORKING LOAD	INNER QTY	MASTER QTY
W-11	3"	50 lbs.	100	1000
W-15	1-1/2"	60 lbs.	100	1000

SINGLE JACK CHAINS

Suspends fixtures



Material: Steel, Zinc Plated

ITEM#	PACK SIZE	WORKING LOAD	INNER QTY	MASTER QTY
W-10	100ft BOX	43 lbs.	100	500
W-12	100ft ROLL	29 lbs.	100	400
W-13	50ft BOX	29 lbs.	50	500

FENDER WASHERS

For general purpose fastening applications

Material: Steel



ITEM#	BOLT SIZE	WASHER SIZE	INNER QTY	MASTER QTY
416	1/4"	1"	100	1000
420	1/4"	1-1/4"	100	1000
428	1/4"	1-1/2"	100	1000
430	3/8"	1-1/2"	100	1000

MADISON STRAP BOX SUPPORTS

Supports switch box in wallboard, plaster, and other old work applications

Material: Galvanized Steel

Notes: Installed in pairs



ITEM#	PACKING	INNER QTY	MASTER QTY
102	BULK	100 PAIRS	500 PAIRS
B-102	BAG	1 PAIR	250 PAIRS

CHANNEL NUT

Anchors bolt to strut

Material: Steel-Electroplated Zinc



STANDARD				W/O SPRING			
ITEM#	TRADE SIZE	INNER QTY	MSTR. QTY	ITEM#	TRADE SIZE	INNER QTY	MSTR. QTY
CNR-025	1/4"-20	N/A	100	CNN-025	1/4"-20	N/A	100
CNR-038	3/8"-16	1	100	CNN-038	3/8"-16	N/A	100

EMT STRUT CLAMP

Secures pipe to strut

Material: Steel-Electroplated Zinc



ITEM#	TRADE SIZE	INNER QTY	MSTR. QTY	ITEM#	TRADE SIZE	INNER QTY	MSTR. QTY
SCE-50	1/2"	N/A	100	SCE-125	1-1/4"	N/A	50
SCE-75	3/4"	N/A	100	SCE-150	1-1/2"	N/A	50
SCE-100	1"	N/A	100	SCE-200	2"	1	50

RIGID STRUT CLAMP

Secures pipe to strut

Material: Steel-Electroplated Zinc

Notes: SCR-250 thru SCR-400 are also suitable for use with EMT



ITEM#	TRADE SIZE	INNER QTY	MSTR. QTY	ITEM#	TRADE SIZE	INNER QTY	MSTR. QTY
SCR-250	2-1/2"	N/A	50	SCR-400	4"	N/A	25
SCR-300	3"	N/A	25	SCR-500	5"	N/A	25
SCR-350	3-1/2"	N/A	25	SCR-600	6"	N/A	25

UNIVERSAL STRUT CLAMP

Secures pipe to strut

Material: Steel-Electroplated Zinc



ITEM#	TRADE SIZE	INNER QTY	MSTR. QTY	ITEM#	TRADE SIZE	INNER QTY	MSTR. QTY
SCU-50	1/2"	1	100	SCU-125	1-1/4"	N/A	50
SCU-75	3/4"	N/A	100	SCU-150	1-1/2"	N/A	50
SCU-100	1"	N/A	100	SCU-200	2"	1	50

BRIDLE RINGS

Supports control cables, signal and voice communications

Material: Galvanized Zinc Coated Carbon Steel Wire

Features: Designed to be assembled with other fasteners. Made in the USA.

Notes: Ideal for data transmission Category 2 and below.



ITEM#	TYPE	TRADE SIZE	INNER QTY	MASTER QTY
MBR420	1/4"-20 THREAD	1/4"	100	1000
MBR432	1/4"-20 THREAD	2"	100	1000
MBR220	#10-24 THREAD	1/4"	100	1000
MBR232	#10-24 THREAD	2"	100	1000
MBR14WS20	#14 WOODSCREW	1/4"	100	1000
MBR14WS32	#14 WOODSCREW	2"	100	1000
MBR2NT20	NO THREAD	1/4"	100	1000
MBR2NT32	NO THREAD	2"	100	1000

162

service entrance hardware



Choice, quality and affordability. These three words describe Madison's offerings of service entrance hardware. With a wide range of styles and sizes, Madison gives you exactly what you need for safe and easy installation. Our UL listed service entrance hardware gives you the assurance that you are using a quality product with an affordable price.

ME



MEproducts.net

SERVICE ENTRANCE CAPS ALUMINUM

Caps overhead service entrance

Material: Cast Aluminum

Certifications: UL Listed

Notes: For use with Rigid/IMC conduit



CLAMP-ON				THREADED			
ITEM#	TRADE SIZE	INNER QTY	MSTR. QTY	ITEM#	TRADE SIZE	INNER QTY	MSTR. QTY
L-800-CL	1/2"	10	50	370	1/2"	5	50
L-801-CL	3/4"	10	50	371	3/4"	5	25
L-802-CL	1"	5	25	372	1"	N/A	10
L-803-CL	1-1/4"	5	25	373	1-1/4"	N/A	10
L-804-CL	1-1/2"	3	15	374	1-1/2"	N/A	10
L-805-CL	2"	N/A	5	375	2"	N/A	5
L-806-CL	2-1/2"	N/A	1	376	2-1/2"	N/A	2
L-807-CL	3"	N/A	1	377	3"	N/A	1
L-808-CL	3-1/2"	N/A	1	378	3-1/2"	N/A	1
L-809-CL	4"	N/A	1	379	4"	N/A	1

SERVICE ENTRANCE CAPS CLAMP-ON - VINYL

Caps overhead services that utilize SEU cable

Material: Vinyl

Certifications: UL Listed

Features: Clamp-on slip-fit style. 3 Cable holes.

EMT adapter sleeve included.

Color: Gray



ITEM#	TRADE SIZE	INNER QTY	MSTR. QTY	ITEM#	TRADE SIZE	INNER QTY	MSTR. QTY
L-800-V	1/2"	5	25	L-803-V	1-1/4"	N/A	10
L-801-V	3/4"	5	25	L-804-V	1-1/2"	N/A	10
L-802-V	1"	N/A	20	L-805-V	2"	N/A	5

SERVICE ENTRANCE CAPS SLIPFITTER

Caps overhead service entrance

Material: Cast Aluminum

Certifications: UL Listed

Notes: For use with Rigid/IMC conduit



ITEM#	PIPE SIZE	CAP SIZE	INNER QTY	MASTER QTY
L-805-M	2"	1-1/4"	N/A	10
L-806-M	2-1/2"	1-1/4"	N/A	10
L-809-M	2-1/2"	2"	N/A	5

SERVICE ENTRANCE CABLE CAPS - ALUMINUM

Caps overhead services that utilize SEU cable

Material: Cast Aluminum

Certifications: UL Listed

Features: 2 cable holes



ITEM#	SE CABLE RANGE	INNER QTY	MASTER QTY
90	3 #8 SLD. - 3 #1 STR.	N/A	20
92	3 #1/0 STR. - 3 #4/0 STR.	N/A	5

SERVICE ENTRANCE CABLE CAPS - PLASTIC

Protects service entrance cables

Material: Plastic

Certifications: UL Listed

Features: 2 cable holes



ITEM#	SE CABLE RANGE	INNER QTY	MASTER QTY
ME24	3 #3 STR. - 3 #2 STR.	N/A	10
ME256	3 #2/0 STR. - 3 #4/0 STR.	N/A	10

SERVICE ENTRANCE CABLE CAPS - PVC/STEEL

Caps oval service entrance cable

Material: PVC Cap, Galvanized Steel
Back Support Bracket

Certifications: UL Listed

Features: 2 cable holes



ITEM#	SE CABLE RANGE	INNER QTY	MASTER QTY
190	SEC. #8 TO #2	N/A	50
191	SEC. #0 TO #2/0	N/A	10
192	SEC. #3/0 & #4/0	N/A	10

SERVICE ENTRANCE MOGUL BODIES

Allows larger access for inspection, pulling and maintenance

Material: Cast Aluminum

Certifications: UL Listed



ITEM#	TRADE SIZE	INNER QTY	MASTER QTY
LBM0-125	1-1/4"	N/A	5
LBM0-150	1-1/2"	N/A	2
LBM0-200	2"	N/A	2

SERVICE ENTRANCE BODIES

Allows access for inspection, pulling and maintenance

Material: Cast Aluminum

Certifications: UL Listed

Features: Flush mount to structure

Notes: XL prefix for extra long



ITEM#	TRADE SIZE	INNER QTY	MSTR. QTY	ITEM#	TRADE SIZE	INNER QTY	MSTR. QTY
L-900	1/2"	10	50	L-904	1-1/2"	1	5
L-901	3/4"	10	50	L-905	2"	1	5
L-902	1"	5	25	L-903-XL	1-1/4"	2	10
L-903	1-1/4"	2	10	L-905-XL	2"	1	5

SERVICE INSULATOR WIRE HOLDERS

Secures incoming wires for overhead service entrance cable



Material: Porcelain

LAG TYPE				REINFORCED STRAP			
ITEM#	TRADE SIZE	INNER QTY	MSTR. QTY	ITEM#	TRADE SIZE	INNER QTY	MSTR. QTY
P-12	1/4" x 1-11/16"	10	100	P-16	3/8" x 2-1/4"	10	50
P-13	5/16" x 2"	N/A	50	P-19	3/8" x 3"	N/A	50
P-15	3/8" x 2"	10	50	P-20	3/8" x 4"	N/A	25

MAST CLAMP WIRE HOLDERS

Holds incoming service entrance cables



Material: Porcelain Wire Holder, Adjustable Galvanized Steel Clamp

ITEM#	TRADE SIZE	INNER QTY	MASTER QTY
P-18	1-1/4" - 3"	N/A	20

MAST SUPPORT ADJUSTABLE CLAMP - STEEL

Secures service entrance conduit to surface of structure



Material: Galvanized Steel

Certifications: UL Listed

Notes: Threaded rod mounting



ITEM#	TRADE SIZE	INNER QTY	MASTER QTY
P-25	1-1/4" - 3"	N/A	20

MAST SUPPORT CLAMP - ALUMINUM

Secures service entrance conduit to surface of structure

Material: Galvanized Steel

Certifications: UL Listed

Notes: Screw mounting



ITEM#	TRADE SIZE	LAG SIZE	INNER QTY	MASTER QTY
P-26	2"	2-1/2"	N/A	20

MAST KITS

Overhead service drops utilizing conduit

Material: Zinc Diecast, Steel, Rubber and Porcelain



P-100 Contents: (1) 2200, (1) L-805-M, (1) P-18, (2) P-25, (1) P40

P-125 Contents: (2) 129, (1) L-805-CL, (1) P-18, (1) P-40

P-125-M Contents: (4) 003, (2) 129, (1) L-805-CL, (1) P-40

P-150 Contents: (1) 3600, (1) L-809-M, (1) P-18, (2) P-25, (1) P-41

P-150-M Contents: (4) 003, (2) 130, (1) L-809-M, (1) P-41

P-150-X Contents: (1) L-809-M, (1) P-18, (2) P-25, (1) P-41

ITEM#	TRADE SIZE	INNER QTY	MASTER QTY
P-100	2"	N/A	1
P-125	2"	N/A	1
P-125-M	2"	N/A	1
P-150	2-1/2"	N/A	1
P-150-M	2-1/2"	N/A	1
P-150-X	2-1/2"	N/A	1

WATERTIGHT HUBS ZINC

Secures threaded Rigid/IMC service entrance conduit to box or enclosure



Material: Zinc Die Cast

Certifications: UL Listed, NEMA FB-1, NEC Article 345 & 346

Features: Insulated throat has 105° C temperature rating



ITEM#	TRADE SIZE	INNER QTY	MSTR. QTY	ITEM#	TRADE SIZE	INNER QTY	MSTR. QTY
LWH-50	1/2"	20	100	LWH-200	2"	5	25
LWH-75	3/4"	20	100	LWH-250	2-1/2"	N/A	10
LWH-100	1"	20	100	LWH-300	3"	N/A	5
LWH-125	1-1/4"	10	50	LWH-350	3-1/2"	N/A	5
LWH-150	1-1/2"	10	50	LWH-400	4"	N/A	5

WATERTIGHT HUBS MALLEABLE

Secures threaded Rigid/IMC service entrance conduit to box or enclosure



Material: Malleable Iron

Certifications: UL Listed, Federal Spec. W-F-40BE, NEMA: FB-1



ITEM#	TRADE SIZE	INNER QTY	MSTR. QTY	ITEM#	TRADE SIZE	INNER QTY	MSTR. QTY
MLWH-50	1/2"	20	100	MLWH-250	2-1/2"	N/A	10
MLWH-75	3/4"	20	100	MLWH-300	3"	N/A	10
MLWH-100	1"	10	50	MLWH-350	3-1/2"	N/A	5
MLWH-125	1-1/4"	10	50	MLWH-400	4"	N/A	5
MLWH-150	1-1/2"	10	50	MLWH-500	5"	N/A	1
MLWH-200	2"	5	25	MLWH-600	6"	N/A	1

WATERTIGHT CONNECTORS ZINC

Provides watertight seal around service entrance cable



Material: Zinc Die Cast

Certifications: UL Listed (except LWC-1501 and LWC-2001)

Notes: N suffix for neoprene jacket oval cable

ITEM#	TRADE SIZE	CABLE SIZE	INNER QTY	MASTER QTY
LWC-1004	1"	#4	10	100
LWC-1006	1"	#6	10	100
LWC-1008	1"	#8	10	100
LWC-1252	1-1/4"	#2	10	50
LWC-1253	1-1/4"	#2	10	50
LWC-1501	1-1/2"	#1/0	5	25
LWC-1502	1-1/2"	#2/0	5	25
LWC-2001	2"	#1/0	5	25
LWC-2002	2"	#2/0	5	25
LWC-2003	2"	#3/0	5	25
LWC-2004	2"	#4/0	5	25
LWC-1252-N	1-1/4"	#3	10	50
LWC-2004-N	2"	#4/0	5	25

WATERTIGHT CONNECTORS ZINC

Provides a watertight seal around underground feeder cable



Material: Zinc Die-Cast

Certifications: UL Listed

Note: Underground feeder cable may vary between manufacturers and type of jacket

ITEM#	TRADE SIZE	UF CABLE RANGE	INNER QTY	MASTER QTY
LWC-05014	1/2"	12/2	25	250
LWC-07514	3/4"	12/3	25	250

WATERTIGHT CONNECTORS STEEL

Provides a watertight seal around underground feeder cable

Material: Screw Machined Steel

Certifications: UL Listed

Note: Underground feeder cable may vary between manufacturers and type of jacket



ITEM#	TRADE SIZE	UF CABLE RANGE	INNER QTY	MASTER QTY
MUF-50	1/2"	14/2 - 12/2	25	100
MUF-75	3/4"	14/3 - 8/2	10	50

TAKE ALL BOX CONNECTORS ZINC

Connects round SE cable to box or enclosure

Material: Zinc Die-Cast



ITEM#	TRADE SIZE	INNER QTY	MSTR. QTY	ITEM#	TRADE SIZE	INNER QTY	MSTR. QTY
TA-50	1/2"	25	250	TA-125	1-1/4"	10	100
TA-75	3/4"	20	200	TA-150	1-1/2"	5	50
TA-100	1"	10	100	TA-200	2"	5	50

WEDGE CLAMPS

Connects service entrance cable to a mounting device or structure



Material: Aluminum Wedge & Shell, 6-1/2" Stainless Steel Bail

Features: Full complement of bail configurations.

Shell can be removed from wedge.

Notes: 1/0 conductor use is 500 lbs. Max.

ITEM#	CONDUCTOR DIAMETER (in.)	INNER QTY	MASTER QTY
WC1/0-4	.250 - .414	5	25
WC2-6	.160 - .330	10	50

SILL PLATES

Prevents water from entering structure when used with sealing compound



Material: PVC (1900) and Aluminum (ME14)

ITEM#	CABLE RANGE	INNER QTY	MASTER QTY
1900	#4 - 0	10	100
ME14	#3/0 - 4/0	N/A	5

GALVANIZED FLASHING NEOPRENE SEAL

Prevents water leaks where conduit penetrates the roof surface



Material: 24 Gauge Galvanized Steel Base, Elastomeric Compound Collar

Features: Flashing base and collar are separate.

Fits flat up to 40°

Notes: For plastic, cast iron, or galvanized pipe.

ITEM#	TRADE SIZE	INNER QTY	MASTER QTY
P-38	1-1/4"	N/A	25
P-39	1-1/2"	N/A	25
P-40	2"	N/A	25
P-41	2-1/2"	N/A	25

NO-CAULK FLASHING

Prevents water leaks where conduit penetrates the roof surface



Material: 24 Gauge Galvanized Steel Base, Elastomeric Compound Collar

Features: Flashing base and collar are separate.

Fits flat up to 45°.

Notes: For plastic, cast iron, or galvanized pipe.

ITEM#	TRADE SIZE	INNER QTY	MASTER QTY
P-339	1-1/4" - 1-1/2"	N/A	12
P-340	2"	N/A	12
P-342	3"	N/A	12
P-344	4"	N/A	12

NEOPRENE FLASHING

Prevents water leaks where conduit penetrates the roof surface

Material: Elastomeric Base and Collar

Features: One-piece construction of base and collar. Fits flat up to 45° .

Notes: For use with copper, galvanized, plastic or cast iron pipe. Not recommended for hot-mopped or built-up roofs.



ITEM#	TRADE SIZE	INNER QTY	MASTER QTY
P-239	1-1/4"	N/A	12
P-240	1-1/2"	N/A	12
P-241	2-1/2"	N/A	12

UNIVERSAL FLASHING

Prevents water leaks where conduit penetrates the roof surface

Material: Heavy-Duty Aluminum Alloy Base, Elastomeric Compound Collar

Features: Conforms to uneven surfaces for a tight seal



ITEM#	TRADE SIZE	INNER QTY	MASTER QTY
P-400	1/4" - 4"	N/A	6

SEAL FLEX COMPOUND

Seals around boxes, flashings and service entries

Material: Butyl Rubber Composite

Features: Non-toxic

Notes: Thumb grade sealer. Approved for use in food processing facilities. For indoor and outdoor use.



ITEM#	SIZE	INNER QTY	MASTER QTY
1901	1 LB.	1	50
1905	5 LBS.	1	10

174

box & fixture accessories



Innovation is the rule at Madison, and our box and fixture accessories are no exception. From basic accessories, to the UL listed Smart Box - the newest innovation in electrical boxes - Madison's box and fixture accessories line has just what you need.

ME



MEproducts.net



SMART BOX™ ORIGINAL BOXES



Mounts to wood or metal stud for new or old work

Material: PVC

Certifications: UL Listed, ROHS Compliant

Features: Unmatched in adjustability.

Molded entirely of 1 piece with no moving parts to break or lose. Step down feature allows for wire entrance in both top and bottom of box. Mounts to wood or metal stud 25g. Extra thick PVC wall material creates stability and rigidity. Built-in wire clamps. All 6/32 device holes are threaded.

Notes: Heavy duty 42 lb. mounting screws supplied.



ITEM#	TRADE SIZE	INNER QTY	MASTER QTY
MSB1G	1 GANG	N/A	100
MSBHZ	1 GANG HORIZONTAL	N/A	50
MSB22+	1 GANG PLUS - 22.5/cu.	N/A	50
MSB2G	2 GANG	N/A	60
MSB3G	3 GANG	20	40
MSB4G	4 GANG	20	40



SMART BOX™ FAN & FIXTURE BOXES



Mounts light fixtures, fans (MSBFAN only), smoke and carbon monoxide detectors

Material: Polycarbonate

Certifications: UL Listed, ROHS Compliant

Features: Quicker to install than a nail on box. Easily removed without creating damage to wall. Extra thick wall material creates stability and rigidity. Best solution for old work and retrofit applications. Heavy duty design for support of moving loads. Extra deep for smoke and carbon monoxide detectors or paddle fan components. Easily upgraded from MSBRND to MSBFAN.



ITEM#	SUPPORTS	INNER QTY	MASTER QTY
MSBRND	50 LB. LIGHT FIXTURE	N/A	30
MSBFAN	50 LB. PADDLE FAN OR 75 LB. LIGHT FIXTURE	N/A	30



SMART BOX™ MULTI-MOUNT BOXES



Mounts horizontally or vertically for flat screen TV and home theater applications

Material: Polycarbonate

Certifications: UL Listed, ROHS Compliant.

UL approved for single screw mounting (extra support bar not required).

Features: Removable nail tabs used for metal stud mounting. Removable interior mounting blocks allow for more cubic inch in the box. Built in mounting blocks on the top end of the box for vertical mounting. 1/2 inch knock outs for blue tube or PVC conduit connections. Low voltage wall dividers allow for mixed voltages in the same box. Largest volume offered in device boxes. Vertical and horizontal mounting.

Notes: Heavy duty mounting screws supplied.



ITEM#	TRADE SIZE	INNER QTY	MASTER QTY
MSBMMT1G	1 GANG	N/A	50
MSBMMT2G	2 GANG	N/A	30
MSBMMT3G	3 GANG	N/A	20
MSBMMT4G	4 GANG	N/A	20
MSBMMT5G	5 GANG	5	20
MSBMMT6G	6 GANG	5	20
MSBMMW	WALL DIVIDER-LOW VOLTAGE	10	100
MSBMMSP1	SINGLE SCREWPLATE	10	100
MSBMMSP2	DOUBLE SCREWPLATE	10	100
MSBMMSP3	TRIPLE SCREWPLATE	10	100



SMART BOX™ LOW VOLTAGE BOXES



Mounts to wood or metal stud for new or old work with adjustable depth capacity

Material: PVC

Certifications: UL Listed, ROHS Compliant

Features: Leveling tab feature allows for easy alignment to adjacent box. Heavy duty 42 lb. mounting screws supplied. Mounts to wood or metal stud 25g. Same box mounts in a horizontal or vertical position. All 6/32 device holes are threaded. Use where TV and computer locations are suited.

Notes: Heavy duty 42 lb. mounting screws supplied.



ITEM#	TRADE SIZE	INNER QTY	MASTER QTY
MSBLV1G	1 GANG	N/A	50
MSBLV2G	2 GANG	N/A	50

REDUCING WASHERS

Reduces the size of knockout holes

Material: Galvanized Steel
Notes: Used in pairs



ITEM#	TRADE SIZE	INNER QTY	MSTR. QTY	ITEM#	TRADE SIZE	INNER QTY	MSTR. QTY
MR-2	3/4" x 1/2"	100	1000	MR-20	2-1/2" x 1-1/4"	50	500
MR-3	1" x 1/2"	100	1000	MR-21	2-1/2" x 1-1/2"	50	500
MR-4	1" x 3/4"	100	1000	MR-22	2-1/2" x 2"	50	500
MR-5	1-1/4" x 1/2"	100	1000	MR-23	3" x 1/2"	25	250
MR-6	1-1/4" x 3/4"	100	1000	MR-24	3" x 3/4"	25	250
MR-7	1-1/4" x 1"	100	1000	MR-25	3" x 1"	25	250
MR-8	1-1/2" x 1/2"	100	1000	MR-26	3" x 1-1/4"	25	250
MR-9	1-1/2" x 3/4"	100	1000	MR-27	3" x 1-1/2"	25	250
MR-10	1-1/2" x 1"	100	1000	MR-28	3" x 2"	25	250
MR-11	1-1/2" x 1-1/4"	100	1000	MR-29	3" x 2-1/2"	25	250
MR-12	2" x 1/2"	50	500	MR-35	3-1/2" x 2"	10	100
MR-13	2" x 3/4"	50	500	MR-36	3-1/2" x 2-1/2"	10	100
MR-14	2" x 1"	50	500	MR-37	3-1/2" x 3"	10	100
MR-15	2" x 1-1/4"	50	500	MR-43	4" x 2"	10	50
MR-16	2" x 1-1/2"	50	500	MR-44	4" x 2-1/2"	10	50
MR-17	2-1/2" x 1/2"	50	500	MR-45	4" x 3"	10	50
MR-18	2-1/2" x 3/4"	50	500	MR-46	4" x 3-1/2"	10	50
MR-19	2-1/2" x 1"	50	500				

SNAP-IN BLANKS

Caps unused knockout holes in box or enclosure

Material: Steel or 6/6 Nylon as noted
Features: Nylon snaps in with fingertip pressure.
 No tools required.

Notes: Nylon recognized under the UL component program.



STEEL				NYLON			
ITEM#	TRADE SIZE	INNER QTY	MSTR. QTY	ITEM#	TRADE SIZE	INNER QTY	MSTR. QTY
150	1/2"	100	1000	140	1/2"	100	1000
151	3/4"	50	500	141	3/4"	50	500
152	1"	50	500	142	1"	50	500
153	1-1/4"	25	250	143	1-1/4"	25	250
154	1-1/2"	25	250	144	1-1/2"	25	250
155	2"	20	200	145	2"	20	200

BUSHINGS

Converts raw-edged holes to smooth neat insulated openings for cable protection

Material: 6/6 Nylon

Features: Snaps in with fingertip pressure.



ITEM#	TRADE SIZE	INNER QTY	MASTER QTY
170	1/2"	50	500
171	3/4"	50	500
172	1"	25	250
173	1-1/4"	25	250
174	1-1/2"	25	250
175	2"	5	50
176	2-1/2"	5	50

CONSTRUCTION BLANKS

Prevents debris from entering box, prior to final installation of wiring devices

Material: Galvanized Steel



ITEM#	TRADE SIZE	INNER QTY	MASTER QTY
103	1 GANG	50	250

CLOSURE PLUGS

Threaded knockout seal

Material: Cast Aluminum



ITEM#	TRADE SIZE	INNER QTY	MASTER QTY
780	1/2"	100	1000
781	3/4"	100	1000
782	1"	50	500

SAFETY PLATE

Protects cable running through wood studs from nails and screws

Material: Steel
Features: 16/9A gauge steel



ITEM#	TRADE SIZE	INNER QTY	MASTER QTY
43	2-1/2" x 1-1/2"	50	250
43-100	2-1/2" x 1-1/2"	N/A	100
43-5P	2-1/2" x 1-1/2"	N/A	500
43-75	2-1/2" x 1-1/2"	75	300

GROUNDING CLIP

Connects ground wire, ROMEX® or non-metallic sheathed cable to metal box

Material: Steel, Zinc Plated
Notes: Use with non-metallic sheathed cable



ITEM#	TRADE SIZE	INNER QTY	MASTER QTY
GC	#14 - #12	100	800

GROUNDING SPADE PIGTAIL

Grounds branch wire to metal box

Material: Stranded Copper
Features: Insulated pigtail with fork terminal



ITEM#	TRADE SIZE	LENGTH	INNER QTY	MASTER QTY
GSP	#12	8"	100	800

GROUNDING PIGTAIL

Grounds branch wire to metal box

Material: Solid Copper
Features: Captive screw



ITEM#	TRADE SIZE	LENGTH	INNER QTY	MASTER QTY
GSS	#12	6-1/4"	100	1000
GSW	#14	6-1/4"	50	250

WIRE CONNECTORS

Fastens two or more electrical conductors together



Material: Flame Retardant Thermoplastic

Features: 105° C temperature rating

ITEM#	TRADE SIZE	COLOR	INNER QTY	MASTER QTY
WC-3	#22 - #14	ORANGE	100	1000
WC-4	#22 - #10	YELLOW	100	1000
WC-6	#22 - #8	RED	100	1000

WIRE CONNECTORS WINGED

Fastens two or more electrical conductors together



Material: Flame Retardant Thermoplastic

Features: 105° C temperature rating

ITEM#	TRADE SIZE	COLOR	INNER QTY	MASTER QTY
WC-84	#18 - #10	YELLOW	100	1000
WC-86	#18 - #8	RED	100	1000
WC-88	#22 - #8	TAN	100	1000
WC-90	#14 - #6	BLUE	50	500

BOX CONNECTORS

Connects two boxes



Material: Zinc Die-Cast

Certifications: UL Listed

Features: Concrete-tight when taped



NO LOCK NUTS				WITH LOCK NUTS			
ITEM#	TRADE SIZE	INNER QTY	MSTR. QTY	ITEM#	TRADE SIZE	INNER QTY	MSTR. QTY
L-64-1LN	1/2"	20	100	L-64-2LN	3/4"	20	100

182

flexible & liquid-tight conduit



With a wide range of sizes and styles, Madison has the flex and liquid-tight conduit that you need. From trade sizes ranging from 3/8" to 4", no job is too big or too small. Made from the highest quality steel, aluminum and PVC, Madison's flex and liquid-tight conduit come through each and every time.

ME



MEproducts.net

FLEXIBLE CONDUIT REDUCED WALL - STEEL

Flexible metal raceway for electrical power, control and communication cables



Material: High Grade Hot Dipped Galvanized Low Carbon Steel

Certifications: UL Listed, NEC 250.118(5), 300.22C, 348, 430.223, 501.10(B), 645.5. Federal Spec. WW-C-566C

Features: Interlocking design



ITEM#	TRADE SIZE	LENGTH (feet)	PACKING	INNER QTY	MASTER QTY
550122	3/8"	25	COIL	N/A	25
550130	3/8"	100	COIL	N/A	100
550142	3/8"	250	COIL	N/A	250
550145	3/8"	500	REEL	N/A	500
550160	3/8"	1000	REEL	N/A	1000
550224	1/2"	50	COIL	N/A	50
550230	1/2"	100	COIL	N/A	100
550245	1/2"	500	REEL	N/A	500
550260	1/2"	1000	REEL	N/A	1000
550322	3/4"	25	COIL	N/A	25
550330	3/4"	100	COIL	N/A	100
550345	3/4"	500	REEL	N/A	500
550424	1"	50	COIL	N/A	50
550480	1"	300	REEL	N/A	300
550524	1-1/4"	50	COIL	N/A	50
550540	1-1/4"	200	REEL	N/A	200
550622	1-1/2"	25	COIL	N/A	25
550722	2"	25	COIL	N/A	25
550822	2-1/2"	25	COIL	N/A	25
550922	3"	25	COIL	N/A	25
551022	3-1/2"	25	COIL	N/A	25
551122	4"	25	COIL	N/A	25

FLEXIBLE CONDUIT REDUCED WALL - ALUMINUM

Flexible metal raceway for electrical power, control and communication cables



Material: Aluminum

Certifications: UL Listed, NEC 250.118(6), 300.22C, 348, 430.123, 501.4(B), 645.5. Federal Spec. WW-C-566C

Features: Interlocking design



ITEM#	TRADE SIZE	LENGTH (feet)	PACKING	INNER QTY	MASTER QTY
560130	3/8"	100	COIL	N/A	100
560160	3/8"	1000	REEL	N/A	1000
560230	1/2"	100	COIL	N/A	100
560245	1/2"	500	REEL	N/A	500
560260	1/2"	1000	REEL	N/A	1000
560330	3/4"	100	COIL	N/A	100
560345	3/4"	500	REEL	N/A	500
560424	1"	50	COIL	N/A	50
560480	1"	300	REEL	N/A	300
560524	1-1/4"	50	COIL	N/A	50
560622	1-1/2"	25	COIL	N/A	25
560722	2"	25	COIL	N/A	25
560822	2"	25	COIL	N/A	25
560922	3"	25	COIL	N/A	25
561022	3-1/2"	25	COIL	N/A	25
561122	4"	25	COIL	N/A	25

FLEXIBLE CONDUIT NON-UL EXTRA FLEXIBLE STEEL



Flexible metal raceway for protection of electrical conductors from abrasion where UL and other agency approval is not required

Material: Galvanized Low Carbon Steel

Features: Interlocking design. Corrosion resistant.

ITEM#	TRADE SIZE	LENGTH (feet)	PACKING	INNER QTY	MASTER QTY
520130	3/8"	100	COIL	N/A	100
520142	3/8"	250	COIL	N/A	250
520160	3/8"	1000	REEL	N/A	1000
520330	1/2"	100	COIL	N/A	100
520360	1/2"	1000	REEL	N/A	1000
520430	3/4"	100	COIL	N/A	100
520445	3/4"	500	REEL	N/A	500
520524	1"	50	COIL	N/A	50
520580	1"	300	REEL	N/A	300
520624	1-1/4"	50	COIL	N/A	50
520640	1-1/4"	200	REEL	N/A	200
520722	1-1/2"	25	COIL	N/A	25
520822	2"	25	COIL	N/A	25
520922	2-1/2"	25	COIL	N/A	25
521022	3"	25	COIL	N/A	25
521122	3-1/2"	25	COIL	N/A	25
521222	4"	25	COIL	N/A	25

FLEXIBLE CONDUIT LIQUID-TIGHT NON-UL VF - STEEL



Flexible metallic raceway for protection of electrical conductors from liquids, abrasion and weather where UL and other agency approval is not required

Material: Hot Dipped Galvanized Low Carbon Steel Core, PVC Jacket

Features: Mechanical and moisture protection for conductors. Sunlight resistant. Flame retardant jacket. Very flexible.

Notes: General purpose use -20°C to 60°C

ITEM#	TRADE SIZE	LENGTH (feet)	PACKING	INNER QTY	MASTER QTY
610130	3/8"	100	COIL	N/A	100
610160	3/8"	1000	REEL	N/A	1000
610230	1/2"	100	COIL	N/A	100
610245	1/2"	500	REEL	N/A	500
610260	1/2"	1000	REEL	N/A	1000
610330	3/4"	100	COIL	N/A	100
610345	3/4"	500	REEL	N/A	500
610430	1"	100	COIL	N/A	100
610441	1"	400	REEL	N/A	400
610524	1-1/4"	50	COIL	N/A	50
610540	1-1/4"	200	REEL	N/A	200
610624	1-1/2"	50	COIL	N/A	50
610635	1-1/2"	150	REEL	N/A	150
610724	2"	50	COIL	N/A	50
610730	2"	100	REEL	N/A	100
610822	2-1/2"	25	COIL	N/A	25
610922	3"	25	COIL	N/A	25
612022	3-1/2"	25	COIL	N/A	25
611022	4"	25	COIL	N/A	25

FLEXIBLE CONDUIT LIQUID-TIGHT UL - STEEL

Flexible metallic raceway for protection of electrical conductors from liquids, abrasion and weather



Material: Hot Dipped Galvanized Low Carbon Steel Core, PVC Jacket

Certifications: UL Listed

Features: UL bonded strip 3/8" - 1-1/4" for grounding. Liquid-tight. Flame retardant jacket.



ITEM#	TRADE SIZE	LENGTH (feet)	PACKING	INNER QTY	MASTER QTY
620130	3/8"	100	COIL	N/A	100
620160	3/8"	1000	REEL	N/A	1000
620230	1/2"	100	COIL	N/A	100
620245	1/2"	500	REEL	N/A	500
620260	1/2"	1000	REEL	N/A	1000
620330	3/4"	100	COIL	N/A	100
620345	3/4"	500	REEL	N/A	500
620360	3/4"	1000	REEL	N/A	1000
620430	1"	100	COIL	N/A	100
620441	1"	400	REEL	N/A	400
620524	1-1/4"	50	COIL	N/A	50
620540	1-1/4"	200	REEL	N/A	200
620624	1-1/2"	50	COIL	N/A	50
620635	1-1/2"	150	REEL	N/A	150
620724	2"	50	COIL	N/A	50
620730	2"	100	REEL	N/A	100
620822	2-1/2"	25	COIL	N/A	25
620922	3"	25	COIL	N/A	25
622022	3-1/2"	25	COIL	N/A	25
621022	4"	25	COIL	N/A	25

FLEXIBLE CONDUIT LIQUID-TIGHT UL NON-METALLIC TYPE B



Flexible non-metallic raceway for protection of electrical conductors from liquids, abrasion and weather

Material: Integral and Rigid PVC

Certifications: UL Listed

Features: Resists corrosion, abrasion, oil, water, acid, sunlight and rough environments. For outdoor use. Approved for direct burial.

Notes: UL Rating 80°C Dry, 60° Wet, 70° Oil Resistant. CSA -18°C to 70°C.



ITEM#	TRADE SIZE	LENGTH (feet)	PACKING	INNER QTY	MASTER QTY
600130	3/8"	100	COIL	N/A	100
600230	1/2"	100	COIL	N/A	100
600260	1/2"	1000	REEL	N/A	1000
600330	3/4"	100	COIL	N/A	100
600346	3/4"	700	REEL	N/A	700
600430	1"	100	COIL	N/A	100
600445	1"	500	REEL	N/A	500
600524	1-1/4"	50	COIL	N/A	50
600624	1-1/2"	50	COIL	N/A	50
600724	2"	50	COIL	N/A	50

COMPUTER BLUE CONDUIT UL LIQUID-TIGHT



Flexible metallic raceway for protection of electrical conductors from liquids, abrasion and weather, under raised floors in data processing areas

Material: Steel Core, PVC Jacket

Certifications: UL Listed

Features: UL bonded strip 3/8" - 1-1/4" for grounding.

Liquid-tight. Flame retardant jacket. Suitable for use in raised computer room floors per NEC 645.5(D). Approved for direct burial applications, concrete and earth burial. Listed for use in hazardous locations.



ITEM#	TRADE SIZE	LENGTH (feet)	PACKING	INNER QTY	MASTER QTY
640230	1/2"	100	COIL	N/A	100
640245	1/2"	500	REEL	N/A	500
640330	3/4"	100	COIL	N/A	100
640345	3/4"	500	REEL	N/A	500
640430	1"	100	COIL	N/A	100
640524	1-1/4"	50	COIL	N/A	50

ITEM#	PAGE	ITEM#	PAGE	ITEM#	PAGE
0-CH	142	81	158	251	153
0-WBA	142	90	165	260	146
0-WBAS	143	92	165	261	146
1-CH	142	100-IC	12	262	146
1-WBA	142	101S-IC	12	263	146
1-WBAS	143	102	160	264	146
2-CH	142	103	179	331	153
2-WBA	142	103S-B	12	332	153
2-WBAS	143	104	4	333	153
2-1/2-CH	142	123	144	334	153
2-1/2-WBA	142	124	144	335	153
2-1/2-WBAS	143	125	144	336	153
3-CH	142	126	144	337	153
3-WBA	142	127	144	338	153
3-WBAS	143	128	144	339	153
4-CH	142	129	144	340	153
4-WBA	142	130	144, 145	341	153
4-WBAS	143	131	144, 145	341-P	153
5-CH	142	132	144, 145	342	153
5-WBA	142	133	144, 145	342-P	153
5-WBAS	143	134-1	71, 147	343	153
6-CH	142	134-5	71, 147	343-P	153
6-WBA	142	135-1	147	344	153
6-WBAS	143	140	178	344-P	153
7-CH	142	141	178	345	153
7-WBA	142	142	178	345-P	153
7-WBAS	143	143	178	346	153
8-CH	142	144	178	346-P	153
8-WBA	142	145	178	347	153
8-WBAS	143	150	178	347-P	153
9-CH	142	151	178	348	153
9-WBA	142	152	178	348-P	153
9-WBAS	143	153	178	349	153
20W-1	72, 149	154	178	349-P	153
20W-5	72, 149	155	178	350	153
25	152	162	148	350-P	153
26	152	164	148	361	146
27	152	166	148	362	146
29	152	170	179	363	146
30-1	72, 149	171	179	364	146
30-5	72, 149	172	179	370	161
30-5M	72, 149	173	179	371	161
30V-2	72, 148	174	179	372	161
30W-5	72, 149	175	179	373	161
30W-50	72, 149	176	179	374	161
31-1	73, 149	190	166	375	161
31-5	73, 149	191	166	376	161
31-5M	73, 149	192	166	377	161
32-1	73, 150	211	34	378	161
34-1	73, 150	213	34	379	161
36-1	73, 150	220	147	416	160
43	180	221	147	420	160
43-5P	180	222	147	428	160
43-75	180	223	147	430	160
43-100	180	250	153	550	27

item index

ITEM#	PAGE	ITEM#	PAGE	ITEM#	PAGE
551	27	1600	150	520360	186
552	27	1600-CS	151	520430	186
553	27	1605	150	520445	186
554	27	1605-CS	151	520524	186
555	27	1615	150	520580	186
600	150	1615-CS	151	520624	186
605	150	1701	145	520640	186
615	150	1701-BS	146	520722	186
680	148	1702	145	520822	186
698	148	1702-BS	146	520922	186
699	148	1703	145	521022	186
700	143	1704	145	521122	186
701	143	1705	145	521222	186
702	143	1706	145	550122	184
703	143	1707	145	550130	184
704	143	1708	145	550142	184
705	143	1709	145	550145	184
706	143	1710	145	550160	184
780	179	1720	152	550224	184
781	179	1722	152	550230	184
782	179	1724	152	550245	184
801	144	1726	152	550260	184
802	144	1735	152	550322	184
803	144	1738	152	550330	184
804	144	1740	152	550345	184
805	144	1743	152	550424	184
806	144	1780	151	550480	184
807	144	1780-UV	151	550524	184
808	144	1782	151	550540	184
809	144	1782-UV	151	550622	184
810	144	1783	151	550722	184
811	144	1783-UV	151	550822	184
812	144	1784	151	550922	184
1124	145	1784-UV	151	551022	184
1125	145	1785	151	551122	184
1126	145	1785-UV	151	560130	185
1127	145	1786	151	560160	185
1128	145	1786-UV	151	560230	185
1129	145	1787	151	560245	185
1170	158	1787-UV	151	560260	185
1171	158	1900	172	560330	185
1172	158	1901	173	560345	185
1173	158	1905	173	560424	185
1174	158	3010	64	560480	185
1175	158	3010-B	64	560524	185
1176	158	3011	64	560622	185
1177	158	3011-B	64	560722	185
1178	158	3012	64	560822	185
1179	158	3012-B	64	560922	185
1179A	158	3013	64	561022	185
1179B	158	3014	64	561122	185
1180	158	520130	186	600130	189
1200	70	520142	186	600230	189
1201	71	520160	186	600260	189
1202	71	520330	186	600330	189

ITEM#	PAGE	ITEM#	PAGE	ITEM#	PAGE
600346	189	AN-150-CL	134	AN-200300	135
600430	189	AN-200-CL	135	AN-200350	135
600445	189	AN-250-CL	135	AN-200400	135
600524	189	AN-300-CL	135	AN-200500	135
600624	189	AN-350-CL	135	AN-200600	135
600724	189	AN-400-CL	135	AN-200800	135
610130	187	AN-500-CL	135	AN-250300	135
610160	187	AN-600-CL	135	AN-250350	135
610230	187	AN-50150	134	AN-250400	135
610245	187	AN-50200	134	AN-250500	135
610260	187	AN-50250	134	AN-250600	135
610330	187	AN-50300	134	AN-250800	135
610345	187	AN-50350	134	AN-300300	135
610430	187	AN-50400	134	AN-300350	135
610441	187	AN-50500	134	AN-300400	135
610524	187	AN-50600	134	AN-300500	135
610540	187	AN-50800	134	AN-300600	135
610624	187	AN-75150	134	AN-300800	135
610635	187	AN-75200	134	AN-350400	135
610724	187	AN-75250	134	AN-350500	135
610730	187	AN-75300	134	AN-350600	135
610822	187	AN-75350	134	AN-350800	135
610922	187	AN-75400	134	AN-400400	135
611022	187	AN-75500	134	AN-400500	135
612022	187	AN-75600	134	AN-400600	135
620130	188	AN-75800	134	AN-400800	135
620160	188	AN-501000	134	AN-500500	135
620230	188	AN-501200	134	AN-500600	135
620245	188	AN-751000	134	AN-500800	135
620260	188	AN-751200	134	AN-600500	135
620330	188	AN-100200	134	AN-600600	135
620345	188	AN-100250	134	AN-600600	135
620360	188	AN-100300	134	AN-1001000	134
620430	188	AN-100350	134	AN-1001200	134
620441	188	AN-100400	134	AN-1251000	134
620524	188	AN-100500	134	AN-1251200	134
620540	188	AN-100600	134	AN-1501000	134
620624	188	AN-100800	134	AN-1501200	134
620635	188	AN-125200	134	AN-2001000	135
620724	188	AN-125250	134	AN-2001200	135
620730	188	AN-125300	134	AN-2501000	135
620822	188	AN-125350	134	AN-2501200	135
620922	188	AN-125400	134	AN-3001000	135
621022	188	AN-125500	134	AN-3001200	135
622022	188	AN-125600	134	AN-3501000	135
640230	189	AN-125800	134	AN-3501200	135
640245	189	AN-150200	134	AN-4001000	135
640330	189	AN-150250	134	AN-4001200	135
640345	189	AN-150300	134	AN-5001000	135
640430	189	AN-150350	134	AN-5001200	135
640524	189	AN-150400	134	AN-6001000	135
AN-50-CL	134	AN-150500	134	AN-6001200	135
AN-75-CL	134	AN-150600	134	ARC-50	141
AN-100-CL	134	AN-150800	134	ARC-75	141
AN-125-CL	134	AN-200250	135	ARC-100	141

item index

ITEM#	PAGE	ITEM#	PAGE	ITEM#	PAGE
ARC-125	141	CBGI-100	25	ELA-40090	140
ARC-150	141	CBGI-125	25	ELA-50045	140
ARC-200	141	CBGI-150	25	ELA-50090	140
ARC-250	141	CBGI-200	25	ELA-60045	140
ARC-300	141	CBGI-250	25	ELA-60090	140
ARC-350	141	CBGI-300	25	ELE-5011	135
ARC-400	141	CBGI-350	25	ELE-5015	135
ARC-500	141	CBGI-400	25	ELE-5022	135
ARC-600	141	CBI-50	24	ELE-5030	135
ASB-1/0	85	CBI-75	24	ELE-5045	134
ASB-2	85	CBI-100	24	ELE-5060	135
ASB-2/0	85	CBI-125	24	ELE-5090	134
ASB-3	85	CBI-150	24	ELE-7511	135
ASB-3/0	85	CBI-200	24	ELE-7515	135
ASB-4	85	CBI-250	24	ELE-7522	135
ASB-4/0	85	CBI-300	24	ELE-7530	135
ASB-6	85	CBI-350	24	ELE-7545	134
ASB-8	85	CBI-400	24	ELE-7460	135
ASB-10	85	CNN-025	160	ELE-7590	134
ASB-350	85	CNN-038	160	ELE-10011	135
ASB-500	85	CNR-025	160	ELE-10015	135
ASB-750	85	CNR-038	160	ELE-10022	135
ASB-1000	85	CPB-50	26	ELE-10030	135
ASBC-1/0	84	CPB-75	26	ELE-10045	134
ASBC-2/0	84	CPB-100	26	ELE-10060	135
ASBC-4/0	84	CPB-125	26	ELE-10090	134
ASBC-350	84	CPB-150	26	ELE-12511	135
ASBC-500	84	CPB-200	26	ELE-12515	135
ASR-1/0	85	CPB-250	26	ELE-12522	135
ASR-2	85	CPB-300	26	ELE-12530	135
ASR-250	85	CPB-350	26	ELE-12545	134
B-102	160	CPB-400	26	ELE-12560	135
B-85-4	82	CPB-500	26	ELE-12590	134
CAP-50	43	CPB-600	26	ELE-15011	135
CAP-75	43	EL-1	11	ELE-15015	135
CAP-100	43	EL-2	11	ELE-15022	135
CAP-125	43	ELA-5045	140	ELE-15030	135
CAP-150	43	ELA-5090	140	ELE-15045	134
CAP-200	43	ELA-7545	140	ELE-15060	135
CAP-250	43	ELA-7590	140	ELE-15090	134
CAP-300	43	ELA-10045	140	ELE-20011	135
CAP-350	43	ELA-10090	140	ELE-20015	135
CAP-400	43	ELA-12545	140	ELE-20022	135
CB-50	23	ELA-12590	140	ELE-20030	135
CB-75	23	ELA-15045	140	ELE-20045	134
CB-100	23	ELA-15090	140	ELE-20060	135
CB-125	23	ELA-20045	140	ELE-20090	134
CB-150	23	ELA-20090	140	ELE-25011	135
CB-200	23	ELA-25045	140	ELE-25015	135
CB-250	23	ELA-25090	140	ELE-25022	135
CB-300	23	ELA-30045	140	ELE-25030	135
CB-350	23	ELA-30090	140	ELE-25045	134
CB-400	23	ELA-35045	140	ELE-25060	135
CBGI-50	25	ELA-35090	140	ELE-25090	134
CBGI-75	25	ELA-40045	140	ELE-30011	135

ITEM#	PAGE	ITEM#	PAGE	ITEM#	PAGE
ELE-30015	135	ELR-20011	131	ELR-1259012	132
ELE-30022	135	ELR-20015	131	ELR-1259015	132
ELE-30030	135	ELR-20022	131	ELR-1259018	132
ELE-30045	134	ELR-20030	131	ELR-1259024	132
ELE-30060	135	ELR-20045	130	ELR-1259030	133
ELE-30090	134	ELR-20060	131	ELR-1259036	133
ELE-35011	135	ELR-20090	130	ELR-1259042	133
ELE-35015	135	ELR-25011	131	ELR-1259048	133
ELE-35022	135	ELR-25015	131	ELR-1509012	132
ELE-35030	135	ELR-25022	131	ELR-1509015	132
ELE-35045	134	ELR-25030	131	ELR-1509018	132
ELE-35060	135	ELR-25045	130	ELR-1509024	132
ELE-35090	134	ELR-25060	131	ELR-1509030	133
ELE-40011	135	ELR-25090	130	ELR-1509036	133
ELE-40015	135	ELR-30011	131	ELR-1509042	133
ELE-40022	135	ELR-30015	131	ELR-1509048	133
ELE-40030	135	ELR-30022	131	ELR-2009012	132
ELE-40045	134	ELR-30030	131	ELR-2009015	132
ELE-40060	135	ELR-30045	130	ELR-2009018	132
ELE-40090	134	ELR-30060	131	ELR-2009024	132
ELR-5011	131	ELR-30090	130	ELR-2009030	133
ELR-5015	131	ELR-35011	131	ELR-2009036	133
ELR-5022	131	ELR-35015	131	ELR-2009042	133
ELR-5030	131	ELR-35022	131	ELR-2009048	133
ELR-5045	130	ELR-35030	131	ELR-2509012	132
ELR-5060	131	ELR-35045	130	ELR-2509015	132
ELR-5090	130	ELR-35060	131	ELR-2509018	132
ELR-7511	131	ELR-35090	130	ELR-2509024	132
ELR-7515	131	ELR-40011	131	ELR-2509030	133
ELR-7522	131	ELR-40015	131	ELR-2509036	133
ELR-7530	131	ELR-40022	131	ELR-2509042	133
ELR-7545	130	ELR-40030	131	ELR-2509048	133
ELR-7560	131	ELR-40045	130	ELR-3009012	132
ELR-7590	130	ELR-40060	131	ELR-3009015	132
ELR-10011	131	ELR-40090	130	ELR-3009018	132
ELR-10015	131	ELR-50011	131	ELR-3009024	132
ELR-10022	131	ELR-50015	131	ELR-3009030	133
ELR-10030	131	ELR-50030	131	ELR-3009036	133
ELR-10045	130	ELR-50045	130	ELR-3009042	133
ELR-10060	131	ELR-50060	131	ELR-3009048	133
ELR-10090	130	ELR-50090	130	ELR-3509012	132
ELR-12511	131	ELR-60011	131	ELR-3509015	132
ELR-12515	131	ELR-60015	131	ELR-3509018	132
ELR-12522	131	ELR-60030	131	ELR-3509024	132
ELR-12530	131	ELR-60045	130	ELR-3509030	133
ELR-12545	130	ELR-60060	131	ELR-3509036	133
ELR-12560	131	ELR-60090	130	ELR-3509042	133
ELR-12590	130	ELR-1009012	132	ELR-3509048	133
ELR-15011	131	ELR-1009015	132	ELR-4009012	132
ELR-15015	131	ELR-1009018	132	ELR-4009015	132
ELR-15022	131	ELR-1009024	132	ELR-4009018	132
ELR-15030	131	ELR-1009030	133	ELR-4009024	132
ELR-15045	130	ELR-1009036	133	ELR-4009030	133
ELR-15060	131	ELR-1009042	133	ELR-4009036	133
ELR-15090	130	ELR-1009048	133	ELR-4009042	133

item index

ITEM#	PAGE	ITEM#	PAGE	ITEM#	PAGE
ELR-4009048	133	IL-44-4	57	IML-110-10	57
ELR-4009012	132	IL-44-5	57	IML-701	22
ELR-4009015	132	IL-44-6	57	IML-702	22
ELR-4009018	132	IL-110	55	IML-703	22
ELR-4009024	132	IL-110-1	55	IML-704	22
ELR-4009030	133	IL-110-2	55	IML-705	22
ELR-4009036	133	IL-110-3	55	IML-706	22
ELR-4009042	133	IL-110-4	55	IML-707	22
ELR-4009048	133	IL-110-5	55	IML-708	22
ELR-5009012	132	IL-110-6	55	IML-709	22
ELR-5009018	132	IL-110-7	55	IML-710	22
ELR-5009024	132	IL-110-8	55	IML-711	22
ELR-5009030	133	IL-110-9	55	IML-712	22
ELR-5009036	133	IL-110-10	55	L-15	68
ELR-5009042	133	IL-121	34	L-16	68
ELR-5009048	133	IL-123	34	L-17	68
ELR-6009012	132	IL-125	34	L-18	68
ELR-6009015	132	IL-127	34	L-21	36
ELR-6009018	132	IL-129	34	L-21RT	34
ELR-6009024	132	IL-131	34	L-22	36
ELR-6009030	133	IL-133	34	L-22RT	34
ELR-6009036	133	IL-135	34	L-23	36
ELR-6009042	133	IL-137	34	L-23RT	34
ELR-6009048	133	IL-139	34	L-24	36
GC	180	IL-701	22	L-24RT	34
GRC-1	83	IL-702	22	L-25	36
GRC-2	83	IL-703	22	L-25RT	34
GRC-3	83	IL-704	22	L-26	36
GS-1	83	IL-705	22	L-26RT	34
GSP	180	IL-706	22	L-27	36
GSS	180	IL-707	22	L-28	36
GSW	180	IL-708	22	L-29	36
IL-21	36	IL-709	22	L-30	36
IL-23	36	IL-710	22	L-31	36
IL-25	36	IML-42	56	L-32	36
IL-27	36	IML-42-1	56	L-33	36
IL-29	36	IML-42-2	56	L-34	36
IL-31	36	IML-42-3	56	L-35	36
IL-33	36	IML-42-4	56	L-36	36
IL-35	36	IML-42-5	56	L-37	36
IL-37	36	IML-42-6	56	L-37-1	34
IL-39	36	IML-42-7	56	L-37-2	34
IL-42-1	54	IML-42-8	56	L-38	36
IL-42-2	54	IML-42-9	56	L-39	36
IL-42-3	54	IML-42-10	56	L-40	36
IL-42-4	54	IML-110	57	L-40-1	23
IL-42-5	54	IML-110-1	57	L-40-2	23
IL-42-6	54	IML-110-2	57	L-40-3	23
IL-42-7	54	IML-110-3	57	L-40-4	23
IL-42-8	54	IML-110-4	57	L-40-5	23
IL-42-9	54	IML-110-5	57	L-40-6	23
IL-42-10	54	IML-110-6	57	L-41-1	54
IL-44-1	57	IML-110-7	57	L-42	54
IL-44-2	57	IML-110-8	57	L-42-1	54
IL-44-3	57	IML-110-9	57	L-42-2	54

ITEM#	PAGE	ITEM#	PAGE	ITEM#	PAGE
L-42-3	54	L-126	34	L-511	19
L-42-4	54	L-127	34	L-701	22
L-42-5	54	L-128	34	L-702	22
L-42-6	54	L-129	34	L-703	22
L-42-7	54	L-130	34	L-704	22
L-42-8	54	L-131	34	L-705	22
L-42-9	54	L-132	34	L-706	22
L-42-10	54	L-133	34	L-707	22
L-44	57	L-134	34	L-708	22
L-44-1	57	L-135	34	L-709	22
L-44-2	57	L-136	34	L-710	22
L-44-3	57	L-137	34	L-800-CL	164
L-44-4	57	L-138	34	L-800-V	164
L-44-5	57	L-139	34	L-801-CL	164
L-44-6	57	L-140	34	L-801-V	164
L-45-1	64	L-141-1	20	L-802-CL	164
L-45-2	64	L-141-2	20	L-802-V	164
L-45-3	64	L-142-1	20	L-803-CL	164
L-45-4	64	L-142-2	20	L-803-V	164
L-45-5	64	L-143-1	40	L-804-CL	164
L-45-6	64	L-143-2	40	L-804-V	164
L-48-1	59	L-144-1	41	L-805-CL	164
L-48-2	59	L-144-2	41	L-805-M	165
L-49-1	42, 63	L-153	42, 64	L-805-V	164
L-49-2	42, 63	L-153-1	42, 64	L-806-CL	164
L-51	59, 68	L-153-2	42, 64	L-806-M	165
L-57	59, 68	L-158	59	L-807-CL	164
L-58	61	L-159	59	L-808-CL	164
L-64-1LN	181	L-160	78	L-809-CL	164
L-64-2LN	181	L-160-1BH	83	L-809-M	165
L-67	58	L-160-2BH	83	L-900	124, 166
L-68	58	L-160-3BH	83	L-901	124, 166
L-69	58	L-160-B	82	L-902	124, 166
L-70	58	L-160-BS	82	L-903	124, 166
L-104	68	L-160-C	82	L-903-XL	124, 166
L-105	68	L-160-DB	82	L-904	124, 166
L-106	68	L-162-B	83	L-905	124, 166
L-107	68	L-163	82	L-905-XL	124, 166
L-108	68	L-180-2B	82	L-1106	69
L-110	55	L-180-2BS	82	L-1106-R	69
L-110-1	55	L-182-B	83	L-1107	69
L-110-2	55	L-184	82	L-1107-R	69
L-110-3	55	L-244-1	40	L-1108	69
L-110-4	55	L-244-2	40	L-1108-R	69
L-110-5	55	L-500	19	LA-50	124
L-110-6	55	L-501	19	LA-75	124
L-110-7	55	L-502	19	LA-100	124
L-110-8	55	L-503	19	LA-125	124
L-110-9	55	L-504	19	LA-200	124
L-110-10	55	L-505	19	LA-250	124
L-121	34	L-506	19	LA-350	124
L-122	34	L-507	19	LB-50	112
L-123	34	L-508	19	LB-50-CB	119
L-124	34	L-509	19	LB-75	112
L-125	34	L-510	19	LB-75-CB	119

item index

ITEM#	PAGE	ITEM#	PAGE	ITEM#	PAGE
LB-100	112	LC-150	112	LG-141-2	20
LB-100-CB	119	LC-150-CB	118	LG-141-3	20
LB-125	112	LC-200	112	LG-141-4	20
LB-125-CB	119	LC-200-CB	118	LG-142-1	20
LB-150	112	LC-250	112	LG-142-2	20
LB-150-CB	119	LC-300	112	LG-143-1	40
LB-200	112	LC-350	112	LG-143-1-CB	21, 37
LB-200-CB	119	LC-400	112	LG-143-2	40
LB-250	112	LCE-50	117	LG-143-2-CB	21, 37
LB-300	112	LCE-75	117	LG-144-1	41
LB-350	112	LCE-100	117	LG-144-1-CB	21, 41
LB-400	112	LCE-125	117	LG-144-2	41
LBE-50	117	LCE-150	117	LG-144-2-CB	21, 41
LBE-75	117	LCE-200	117	LG-144-3	41
LBE-100	117	LCLA-50	112	LG-144-4	41
LBE-125	117	LCLA-50-CB	118	LL-50	113
LBE-150	117	LCLA-75	112	LL-50-CB	119
LBE-200	117	LCLA-75-CB	118	LL-75	113
LBLA-50	112	LCLA-100	112	LL-75-CB	119
LBLA-50-CB	119	LCLA-100-CB	118	LL-100	113
LBLA-75	112	LCLA-125	112	LL-100-CB	119
LBLA-75-CB	119	LCLA-125-CB	118	LL-125	113
LBLA-100	112	LCLA-150	112	LL-125-CB	119
LBLA-100-CB	119	LCLA-150-CB	118	LL-150	113
LBLA-125	112	LCLA-200	112	LL-150-CB	119
LBLA-125-CB	119	LCLA-200-CB	118	LL-200	113
LBLA-150	112	LCLA-250	112	LL-200-CB	119
LBLA-150-CB	119	LCLA-300	112	LL-250	113
LBLA-200	112	LCLA-350	112	LL-300	113
LBLA-200-CB	119	LCLA-400	112	LL-350	113
LBLA-250	112	LCM-50	114	LL-400	113
LBLA-300	112	LCM-75	114	LLE-50	118
LBLA-350	112	LCM-100	114	LLE-75	118
LBLA-400	112	LCM-125	114	LLE-100	118
LBM-50	115	LCM-150	114	LLE-125	118
LBM-75	115	LCM-200	114	LLE-150	118
LBM-100	115	LCM-250	114	LLE-200	118
LBM-125	115	LCM-300	114	LLLA-50	113
LBM-150	115	LCM-350	114	LLLA-50-CB	119
LBM-200	115	LCM-400	114	LLLA-75	113
LBM-250	115	LF-50	125	LLLA-75-CB	119
LBM-300	115	LF-75	125	LLLA-100	113
LBM-350	115	LF-100	125	LLLA-100-CB	119
LBM-400	115	LF-125	125	LLLA-125	113
LBMO-125	166	LF-200	125	LLLA-125-CB	119
LBMO-150	166	LF-250	125	LLLA-150	113
LBMO-200	166	LF-350	125	LLLA-150-CB	119
LC-50	112	LFN-50	125	LLLA-200	113
LC-50-CB	118	LFN-75	125	LLLA-200-CB	119
LC-75	112	LFN-100	125	LLLA-250	113
LC-75-CB	118	LFN-125	125	LLLA-300	113
LC-100	112	LFN-200	125	LLLA-350	113
LC-100-CB	118	LFN-250	125	LLLA-400	113
LC-125	112	LFN-350	125	LLM-50	115
LC-125-CB	118	LG-141-1	20	LLM-75	115

ITEM#	PAGE	ITEM#	PAGE	ITEM#	PAGE
LLM-100	115	LNS-300	28	LR-75-CB	120
LLM-125	115	LNS-300UL	28	LR-100	113
LLM-150	115	LNS-300-G	29	LR-100-CB	120
LLM-200	115	LNS-300-I	29	LR-125	113
LLM-250	115	LNS-350	28	LR-125-CB	120
LLM-300	115	LNS-350UL	28	LR-150	113
LLM-350	115	LNS-350-G	29	LR-150-CB	120
LLM-400	115	LNS-350-I	29	LR-200	113
LM-50	121	LNS-400	28	LR-200-CB	120
LM-75	125	LNS-400UL	28	LR-250	113
LM-100	125	LNS-400-G	29	LR-300	113
LM-200	125	LNS-400-I	29	LR-350	113
LM-125150	125	LNS-500	28	LR-400	113
LM-250300	125	LNS-500UL	28	LRB-2	27
LM-350400	125	LNS-600	28	LRB-3	27
LN-50	28	LNS-600UL	28	LRB-4	27
LN-75	28	LQA-1038	42	LRB-5	27
LN-100	28	LQA-1038-I	42	LRB-6	27
LN-125	28	LQA-1050	42	LRB-7	27
LN-150	28	LQA-1050-I	42	LRB-8	27
LN-200	28	LQA-1075	42	LRB-9	27
LN-250	28	LQA-1075-I	42	LRB-10	27
LN-300	28	LQA-1100	42	LRB-11	27
LN-350	28	LQA-1100-I	42	LRB-14	27
LN-400	28	LQA-1125	42	LRB-15	27
LNLM-51	69	LQA-1125-I	42	LRB-16	27
LNS-38	28	LQA-1150	42	LRB-21	27
LNS-50	28	LQA-1150-I	42	LRB-22	27
LNS-50UL	28	LQA-1200	42	LRB-28	27
LNS-50-G	29	LQA-1200-I	42	LRB-29	27
LNS-50-I	29	LQA-1250-I	42	LRB-33	27
LNS-75	28	LQA-1300-I	42	LRB-36	27
LNS-75UL	28	LQA-1350-I	42	LRB-37	27
LNS-75-G	29	LQA-1400-I	42	LRE-50	118
LNS-75-I	29	LQA-9038	42	LRE-75	118
LNS-100	28	LQA-9038-I	42	LRE-100	118
LNS-100UL	28	LQA-9050	42	LRE-125	118
LNS-100-G	29	LQA-9050-I	42	LRE-150	118
LNS-100-I	29	LQA-9075	42	LRE-200	118
LNS-125	28	LQA-9075-I	42	LRLA-50	113
LNS-125UL	28	LQA-9100	42	LRLA-50-CB	120
LNS-125-G	29	LQA-9100-I	42	LRLA-75	113
LNS-125-I	29	LQA-9125	42	LRLA-75-CB	120
LNS-150	28	LQA-9125-I	42	LRLA-100	113
LNS-150UL	28	LQA-9150	42	LRLA-100-CB	120
LNS-150-G	29	LQA-9150-I	42	LRLA-125	113
LNS-150-I	29	LQA-9200	42	LRLA-125-CB	120
LNS-200	28	LQA-9200-I	42	LRLA-150	113
LNS-200UL	28	LQA-9250-I	42	LRLA-150-CB	120
LNS-200-G	29	LQA-9300-I	42	LRLA-200	113
LNS-200-I	29	LQA-9350-I	42	LRLA-200-CB	120
LNS-250	28	LQA-9400-I	42	LRLA-250	113
LNS-250UL	28	LR-50	113	LRLA-300	113
LNS-250-G	29	LR-50-CB	120	LRLA-350	113
LNS-250-I	29	LR-75	113	LRLA-400	113

item index

ITEM#	PAGE	ITEM#	PAGE	ITEM#	PAGE
LRM-50	116	LTLA-100	114	MBR220	161
LRM-75	116	LTLA-100-CB	120	MBR232	161
LRM-100	116	LTLA-125	114	MBR14WS20	161
LRM-125	116	LTLA-125-CB	120	MBR14WS32	161
LRM-150	116	LTLA-150	114	MBR2NT20	161
LRM-200	116	LTLA-150-CB	120	MBR2NT32	161
LRM-250	116	LTLA-200	114	MCB-50	24
LRM-300	116	LTLA-200-CB	120	MCB-75	24
LRM-350	116	LTLA-250	114	MCB-100	24
LRM-400	116	LTLA-300	114	MCB-125	24
LS-50	124	LTLA-350	114	MCB-150	24
LS-50-D	124	LTLA-400	114	MCB-200	24
LS-75	124	LTM-50	116	MCB-250	24
LS-75-D	124	LTM-75	116	MCB-300	24
LS-100	124	LTM-100	116	MCB-350	24
LS-100-D	124	LTM-125	116	MCB-400	24
LS-125	124	LTM-150	116	MCBGI-50	26
LS-125-D	124	LTM-200	116	MCBGI-75	26
LS-200	124	LTM-250	116	MCBGI-100	26
LS-200-D	124	LTM-300	116	MCBGI-125	26
LS-250	124	LTM-350	116	MCBGI-150	26
LS-250-D	124	LTM-400	116	MCBGI-200	26
LS-350-D	124	LWC-05014	170	MCBGI-250	26
LT-50	114	LWC-07514	170	MCBGI-300	26
LT-50-CB	120	LWC-1004	170	MCBGI-350	26
LT-75	114	LWC-1006	170	MCBGI-400	26
LT-75-CB	120	LWC-1008	170	MCBGI-500	26
LT-100	114	LWC-1252	170	MCBGI-600	26
LT-100-CB	120	LWC-1252-N	170	MCBI-50	25
LT-125	114	LWC-1253	170	MCBI-75	25
LT-125-CB	120	LWC-1501	170	MCBI-100	25
LT-150	114	LWC-1502	170	MCBI-125	25
LT-150-CB	120	LWC-2001	170	MCBI-150	25
LT-200	114	LWC-2002	170	MCBI-200	25
LT-200-CB	120	LWC-2003	170	MCBI-250	25
LT-250	114	LWC-2004	170	MCBI-300	25
LT-300	114	LWC-2004-N	170	MCBI-350	25
LT-350	114	LWH-50	30, 169	MCBI-400	25
LT-400	114	LWH-75	30, 169	MCBI-500	25
LTBM-50	116	LWH-100	30, 169	MCBI-600	25
LTBM-75	116	LWH-125	30, 169	MCG-50A250	76
LTBM-100	116	LWH-150	30, 169	MCG-50A350	76
LTBM-125	116	LWH-200	30, 169	MCG-50A450	76
LTBM-150	116	LWH-250	30, 169	MCG-50A560	76
LTBM-200	116	LWH-300	30, 169	MCG-50A650	76
LTE-50	117	LWH-350	30, 169	MCG-75A250	76
LTE-75	117	LWH-400	30, 169	MCG-75A350	76
LTE-100	117	MAFC-50	60	MCG-75A450	76
LTE-125	117	MAFC-52	60	MCG-75A560	76
LTE-150	117	MAFC-75	60	MCG-75A650	76
LTE-200	117	MAG840	140	MCG-75B750	76
LTLA-50	114	MAK6-4	140	MCG-75B850	76
LTLA-50-CB	120	MBD214-1	140	MCG-100B560	76
LTLA-75	114	MBR420	161	MCG-100B650	76
LTLA-75-CB	120	MBR432	161	MCG-100B750	76

ITEM#	PAGE	ITEM#	PAGE	ITEM#	PAGE
MCG-100B850	78	MEC-755-B	37	MERC-100	18, 43
MCG-100C950	78	MEC-756	37	MERSS-50	18, 42
MCG-100C1050	78	MEC-756-B	37	MERSS-75	18, 42
MCG-125C850	78	MEC-757	37	MERSS-100	18, 42
MCG-125C950	78	MEC-757-B	37	MES-750	35
MCG-125D1050	78	MEC-758	37	MES-750-5P	35
MCG-125D1150	78	MEC-758-B	37	MES-750-B	35
MCG-125D1250	78	MEC-759	37	MES-751	35
MCG-125D1375	78	MEC-759-B	37	MES-751-4P	35
MCG-150D1050	78	MEC-760	37	MES-751-B	35
MCG-150D1150	78	MEC-761	37	MES-752	35
MCG-150D1250	78	MEC-762	37	MES-752-B	35
MCG-150D1375	78	MEC-763	37	MES-753	35
MCS38	58	MEC-764	37	MES-753-B	35
MDB-38B	61	MEC-765	37	MES-754	35
MDB-50B	61	MEC-766	37	MES-754-B	35
MDB-75B	61	MEC-767	37	MES-755	35
MDB-100B	61	MEC-768	37	MES-755-B	35
MDB-125B	61	MEC-769	37	MES-756	35
MDB-150B	61	MECR-750	35	MES-756-B	35
MDB-200B	61	MECR-750-B	35	MES-757	35
MDB-250B	61	MECR-751	35	MES-757-B	35
MDB-300B	61	MECR-751-B	35	MES-758	35
MDB-350B	61	MECR-752	35	MES-758-B	35
MDB-3845-B	62	MECR-752-B	35	MES-759	35
MDB-3890-B	62	MECR-753	35	MES-759-B	35
MDB-400B	61	MECR-753-B	35	MES-760	35
MDB-5045-B	62	MECR-754	35	MES-760-5P	35
MDB-5090-B	62	MECR-754-B	35	MES-761	35
MDB-7545-B	62	MECR-755	35	MES-761-3P	35
MDB-7590-B	62	MECR-755-B	35	MES-762	35
MDB-10090-B	62	MECR-756	35	MES-763	35
MDBC-38	63	MECR-756-B	35	MES-764	35
MDBC-50	63	MECR-757	35	MES-765	35
MDBC-75	63	MECR-757-B	35	MES-766	35
MDBS-38	63	MECR-758	35	MES-767	35
MDBS-50	63	MECR-758-B	35	MES-768	35
MDBS-75	63	MECR-759	35	MES-769	35
MDS38	58	MECR-759-B	35	MFHR50-75	159
ME-3202	70	MECR-760	35	MFHS50-75	159
ME-3300	70	MECR-761	35	MH-AK02	140
ME14	172	MECR-762	35	MIBB	86
ME24	165	MECR-763	35	MJV-840	141
ME256	165	MECR-764	35	MKM28	140
MEC-750	37	MECR-765	35	MKM30	140
MEC-750-B	37	MECR-766	35	MKM32	140
MEC-751	37	MECR-767	35	ML-40-1	23
MEC-751-B	37	MECR-768	35	ML-40-2	23
MEC-752	37	MECR-769	35	ML-40-3	23
MEC-752-B	37	MEIBB	86	ML-40-4	23
MEC-753	37	MER-50	19	ML-42	56
MEC-753-B	37	MER-75	19	ML-42-1	56
MEC-754	37	MERAY	4	ML-42-2	56
MEC-754-B	37	MERC-50	18, 43	ML-42-3	56
MEC-755	37	MERC-75	18, 43	ML-42-4	56

item index

ITEM#	PAGE	ITEM#	PAGE	ITEM#	PAGE
ML-42-5	56	MLWH-400	31, 169	MR-22	178
ML-42-6	56	MLWH-500	31, 169	MR-23	178
ML-42-7	56	MLWH-600	31, 169	MR-24	178
ML-42-8	56	MNPT-50	78	MR-25	178
ML-42-9	56	MNPT-75	78	MR-26	178
ML-42-10	56	MNT-2750	17	MR-27	178
ML-110	57	MNT-2750-B	17	MR-28	178
ML-110-1	57	MNT-2751	17	MR-29	178
ML-110-2	57	MNT-2751-B	17	MR-35	178
ML-110-3	57	MNT-2752	17	MR-36	178
ML-110-4	57	MNT-2752-B	17	MR-37	178
ML-110-5	57	MNT-2753	17	MR-43	178
ML-110-6	57	MNT-2753-B	17	MR-44	178
ML-110-7	57	MNT-2754	17	MR-45	178
ML-110-8	57	MNT-2754-B	17	MR-46	178
ML-110-9	57	MNT-2755	17	MRN236	141
ML-110-10	57	MNT-2755-B	17	MRN237	141
ML-141-1	20	MNT-2756	17	MS-AK02LV	140
ML-141-2	20	MNT-2756-B	17	MS-AK250	140
ML-141-3	20	MNT-2757	17	MSB1G	176
ML-141-4	20	MNT-2757-B	17	MSB22+	176
ML-141-5	20	MNT-2758	17	MSB2G	176
ML-141-6	20	MNT-2758-B	17	MSB3G	176
ML-142-1	21	MNT-2759	17	MSB4G	176
ML-142-2	21	MNT-2759-B	17	MSBFAN	176
ML-142-3	21	MNT-2760	17	MSBHW-D	5
ML-142-4	21	MNT-2761	17	MSBHW12	5
ML-142-5	21	MNT-2762	17	MSBHW3	5
ML-142-6	21	MNT-2763	17	MSBHW6	5
ML-701	22	MNT-2764	17	MSBHZ	176
ML-702	22	MNT-2765	17	MSBLV1G	177
ML-703	22	MNT-2766	17	MSBLV2G	177
ML-704	22	MNT-2767	17	MSBMMSP1	177
ML-705	22	MNT-2768	17	MSBMMSP2	177
ML-706	22	MNT-2769	17	MSBMMSP3	177
ML-707	22	MR-2	178	MSBMMT1G	177
ML-708	22	MR-3	178	MSBMMT2G	177
ML-709	22	MR-4	178	MSBMMT3G	177
ML-710	22	MR-5	178	MSBMMT4G	177
ML-711	22	MR-6	178	MSBMMT5G	177
ML-712	22	MR-7	178	MSBMMT6G	177
MLH	6	MR-8	178	MSBMMW	177
MLT-EMT-50	40, 51	MR-9	178	MSBRND	176
MLT-EMT-75	40, 51	MR-10	178	MSBTRAC1	5
MLT-EMT-100	40, 51	MR-11	178	MSFDM	9
MLT-NT-50	18, 51	MR-12	178	MSNT-2750	16
MLWH-50	33, 169	MR-13	178	MSNT-2750-B	16
MLWH-75	33, 169	MR-14	178	MSNT-2751	16
MLWH-100	31, 169	MR-15	178	MSNT-2751-B	16
MLWH-125	31, 169	MR-16	178	MSNT-2752	16
MLWH-150	31, 169	MR-17	178	MSNT-2752-B	16
MLWH-200	31, 169	MR-18	178	MSNT-2753	16
MLWH-250	31, 169	MR-19	178	MSNT-2753-B	16
MLWH-300	31, 169	MR-20	178	MSNT-2754	16
MLWH-350	31, 169	MR-21	178	MSNT-2754-B	16

ITEM#	PAGE	ITEM#	PAGE	ITEM#	PAGE
MSNT-2755	16	MSTR-150-B	43	MSTR-30045-A	45
MSNT-2755-B	16	MSTR-200-A	43	MSTR-30045-B	45
MSNT-2760	16	MSTR-200-B	43	MSTR-30090-A	44
MSNT-2761	16	MSTR-200-CL	43	MSTR-30090-B	44
MSNT-2762	16	MSTR-150-CL	43	MSTR-35045-A	45
MSNT-2763	16	MSTR-250-A	43	MSTR-35045-B	45
MSNT-2764	16	MSTR-250-B	43	MSTR-35090-A	44
MSNT-2765	16	MSTR-250-CL	43	MSTR-35090-B	44
MSRFSB	10	MSTR-300-A	43	MSTR-40045-A	45
MSRGLIDER	9	MSTR-300-B	43	MSTR-40045-B	45
MSRGLIDERX2	9	MSTR-300-CL	43	MSTR-40090-A	44
MSRMK	10	MSTR-350-A	43	MSTR-40090-B	44
MSRMX	6	MSTR-350-B	43	MUF-50	171
MSRPRS	8	MSTR-350-CL	43	MUF-75	171
MSRSD	7	MSTR-400-A	43	MWP	4
MSRSK04-06	10	MSTR-400-B	43	N-50-CL	128
MSRSK04-15	10	MSTR-400-CL	43	N-75-CL	128
MSRSK04-30	10	MSTR-500-A	43	N-100-CL	128
MSRSK06-10	10	MSTR-500-B	43	N-125-CL	128
MSRSK06-15	10	MSTR-500-CL	43	N-150-CL	128
MSRSK11-15	10	MSTR-600-A	43	N-200-CL	128
MSRSK16-22	10	MSTR-600-B	43	N-250-CL	128
MSRSK16-30	10	MSTR-600-CL	43	N-300-CL	128
MSRSK23-30	10	MSTR-3845-A	45	N-350-CL	128
MSRSS	7	MSTR-3845-B	45	N-400-CL	128
MSRTB	8	MSTR-3890-A	44	N-500-CL	128
MSRTP	9	MSTR-3890-B	44	N-600-CL	128
MSTC-50	136	MSTR-5045-A	45	N-50150	128
MSTC-75	136	MSTR-5045-B	45	N-50200	128
MSTC-100	136	MSTR-5090-A	44	N-50250	128
MSTC-125	136	MSTR-5090-B	44	N-50300	128
MSTC-150	136	MSTR-7545-A	45	N-50350	128
MSTC-200	136	MSTR-7545-B	45	N-50400	128
MSTC-250	136	MSTR-7590-A	44	N-50500	128
MSTC-300	136	MSTR-7590-B	44	N-50600	128
MSTC-350	136	MSTR-10045-A	45	N-50700	128
MSTC-400	136	MSTR-10045-B	45	N-50800	128
MSTC-500	136	MSTR-10090-A	44	N-75150	128
MSTC-600	136	MSTR-10090-B	44	N-75200	128
MSTR-38-A	43	MSTR-12545-A	45	N-75250	128
MSTR-38-B	43	MSTR-12545-B	45	N-75300	128
MSTR-38-CL	43	MSTR-12590-A	44	N-75350	128
MSTR-50-A	43	MSTR-12590-B	44	N-75400	128
MSTR-50-B	43	MSTR-15045-A	45	N-75500	128
MSTR-50-CL	43	MSTR-15045-B	45	N-75600	128
MSTR-75-A	43	MSTR-15090-A	44	N-75700	128
MSTR-75-B	43	MSTR-15090-B	44	N-75800	128
MSTR-75-CL	43	MSTR-20045-A	45	N-100200	128
MSTR-100-A	43	MSTR-20045-B	45	N-100250	128
MSTR-100-B	43	MSTR-20090-A	44	N-100300	128
MSTR-100-CL	43	MSTR-20090-B	44	N-100350	128
MSTR-125-A	43	MSTR-25045-A	45	N-100400	128
MSTR-125-B	43	MSTR-25045-B	45	N-100500	128
MSTR-125-CL	43	MSTR-25090-A	44	N-100600	128
MSTR-150-A	43	MSTR-25090-B	44	N-100700	128

item index

ITEM#	PAGE	ITEM#	PAGE	ITEM#	PAGE
N-100800	128	N-600800	129	P-41	172
N-125200	128	N-751000	128	P-100	168
N-125250	128	N-751200	128	P-125	168
N-125300	128	N-1001000	128	P-125-M	168
N-125350	128	N-1001200	128	P-150	168
N-125400	128	N-1251000	128	P-150-M	168
N-125500	128	N-1251200	128	P-150-X	168
N-125600	128	N-1501000	128	P-239	173
N-125800	128	N-1501200	128	P-240	173
N-150200	128	N-2001000	129	P-241	173
N-150250	128	N-2001200	129	P-339	172
N-150300	128	N-2501000	129	P-340	172
N-150350	128	N-2501200	129	P-342	172
N-150400	128	N-3001000	129	P-344	172
N-150500	128	N-3001200	129	P-400	172
N-150600	128	N-3501000	129	P-6001	108
N-150700	128	N-3501200	129	P-6002	108
N-150800	128	N-4001000	129	P-6003	108
N-200250	129	N-4001200	129	P-6004	108
N-200300	129	N-5001000	129	P-7001	108
N-200350	129	N-5001200	129	P-7002	108
N-200400	129	N-6001000	129	P-7003	108
N-200500	129	N-6001200	129	PBDC	106
N-200600	129	NMLQ-1038	50	PBS-200200	107
N-200700	129	NMLQ-1038-S	50	PBS-200300	107
N-200800	129	NMLQ-1050	50	PBS-300300	107
N-250300	129	NMLQ-1050-S	50	PBS-400200	107
N-250350	129	NMLQ-1075	50	PBS-400300	107
N-250400	129	NMLQ-1075-S	50	PBS-500150	107
N-250500	129	NMLQ-1100	50	PBS-500200	107
N-250600	129	NMLQ-1125	50	PBS-500300	107
N-250700	129	NMLQ-1150	50	PBS-600300	107
N-250800	129	NMLQ-1200	50	PBSC	106
N-300300	129	NMLQ-9038	50	PBSC-2	106
N-300350	129	NMLQ-9038-S	50	PC-50	101
N-300400	129	NMLQ-9050	50	PC-75	101
N-300500	129	NMLQ-9050-S	50	PC-100	101
N-300600	129	NMLQ-9075	50	PC-125	101
N-300800	129	NMLQ-9075-S	50	PC-150	101
N-350400	129	NMLQ-9100	50	PC-200	101
N-350500	129	NMLQ-9125	50	PC-250	101
N-350600	129	NMLQ-9150	50	PC-300	101
N-350800	129	NMLQ-9200	50	PC-350	101
N-400400	129	P-12	167	PC-400	101
N-400500	129	P-13	167	PC-500	101
N-400600	129	P-15	167	PC-600	101
N-400700	129	P-16	167	PCLA-50	98, 121
N-400800	129	P-18	167	PCLA-75	98, 121
N-500500	129	P-19	167	PCLA-100	98, 121
N-500600	129	P-20	167	PCLA-125	98, 121
N-500800	129	P-25	167	PCLA-150	98, 121
N-501000	129	P-26	168	PCLA-200	98, 121
N-501200	129	P-38	172	PCLA-250	98, 121
N-600500	129	P-39	172	PCLA-300	98, 121
N-600600	129	P-40	172	PCLA-350	98, 121

ITEM#	PAGE	ITEM#	PAGE	ITEM#	PAGE
PCLA-400	98, 121	PFSED-3	105	PMEB-50	101
PDSC	106	PFSS-3	105	PMEB-75	101
PEC-50	101	PFSS-50	105	PMEB-100	101
PEC-75	101	PFSS-75	105	PMEB-125	101
PEC-100	101	PGFSC	106	PMEB-150	101
PEC-125	101	PJB-442	104	PMEB-200	101
PEC-150	101	PJB-444	104	PMEB-250	101
PEC-200	101	PJB-552	104	PMEB-300	101
PEC-250	101	PJB-664	104	PMEB-350	101
PEC-300	101	PJB-666	104	PMEB-400	101
PEC-400	101	PJB-884	104	PMEB-500	101
PEC-500	101	PJB-887	104	PMEB-600	101
PEC-600	101	PJB-12124	101	PMH-50	107
PEJ-50	92	PJB-12126	101	PMH-75	107
PEJ-75	92	PJB-12128	101	PMH-100	107
PEJ-100	92	PJBA-50	103	PMH-125	107
PEJ-125	92	PJBA-75	103	PMH-150	107
PEJ-150	92	PJBA-100	103	PMH-200	107
PEJ-200	92	PJBA-125	103	PMH-250	107
PEJ-250	92	PJBA-150	103	PMH-300	107
PEJ-300	92	PJBA-200	103	PMH-350	107
PEJ-350	92	PJBA-250	103	PMH-400	107
PEJ-400	92	PJBA-300	103	PMO-125	103
PEJ-500	92	PJBA-350	103	PMO-200	103
PEL-5075	100	PJBA-400	103	POCT-400150	105
PELA-50	99, 122	PLBLA-50	98, 121	PRB-7550	102
PELA-75	99, 122	PLBLA-75	98, 121	PRB-10050	102
PELA-100	99, 122	PLBLA-100	98, 121	PRB-10075	102
PELA-125	99, 122	PLBLA-125	98, 121	PRB-12575	102
PELA-150	99, 122	PLBLA-150	98, 121	PRB-125100	102
PELA-200	99, 122	PLBLA-200	98, 121	PRB-150125	102
PELA-250	99, 122	PLBLA-250	98, 121	PRB-200125	102
PELA-300	99, 122	PLBLA-300	98, 121	PRB-200150	102
PELA-350	99, 122	PLBLA-350	98, 121	PRB-250200	102
PELA-400	99, 122	PLBLA-400	98, 121	PRB-300200	102
PFA-50	103	PLLLA-50	99, 122	PRB-300250	102
PFA-75	103	PLLLA-75	99, 122	PRB-400300	102
PFA-100	103	PLLLA-100	99, 122	PRB-400350	102
PFA-125	103	PLLLA-125	99, 122	PS-50	106
PFA-150	103	PLLLA-150	99, 122	PS-75	106
PFA-200	103	PLLLA-200	99, 122	PS-100	106
PFA-250	103	PLLLA-250	99, 122	PS-125	106
PFA-300	103	PLLLA-300	99, 122	PS-150	106
PFA-350	103	PLLLA-350	99, 122	PS-200	106
PFA-400	103	PLLLA-400	99, 122	PS-250	106
PFA-500	103	PLRLA-50	100, 123	PS-300	106
PFA-600	103	PLRLA-75	100, 123	PS-400	106
PFSC-3	105	PLRLA-100	100, 123	PS-500	106
PFSC-50	104	PLRLA-125	100, 123	PTA-50	102
PFSC-75	104	PLRLA-150	100, 123	PTA-75	102
PFSCC-3	105	PLRLA-200	100, 123	PTA-100	102
PFSCD-3	105	PLRLA-250	100, 123	PTA-125	102
PFSE-3	105	PLRLA-300	100, 123	PTA-150	102
PFSE-50	104	PLRLA-350	100, 123	PTA-200	102
PFSE-75	104	PLRLA-400	100, 123	PTA-250	102

item index

ITEM#	PAGE	ITEM#	PAGE	ITEM#	PAGE
PTA-300	102	PVC-759080	94	PVCB-12590	96
PTA-350	102	PVC-1004580	94	PVCB-15045	97
PTA-400	102	PVC-1009080	94	PVCB-15090	96
PTA-500	102	PVC-1254580	94	PVCB-20045	97
PTA-600	102	PVC-1259080	94	PVCB-20090	96
PTLA-50	100, 123	PVC-1504580	94	PVCB-25045	97
PTLA-75	100, 123	PVC-1509036	95	PVCB-25090	96
PTLA-100	100, 123	PVC-1509048	95	PVCB-30045	97
PTLA-125	100, 123	PVC-1509080	94	PVCB-30090	96
PTLA-150	100, 123	PVC-2004580	94	PVCB-35045	97
PTLA-200	100, 123	PVC-2009024	95	PVCB-35090	96
PTLA-250	100, 123	PVC-2009036	95	PVCB-40045	97
PTLA-300	100, 123	PVC-2009048	95	PVCB-40090	96
PTLA-350	100, 123	PVC-2009080	94	PVCB-2009024	97
PTLA-400	100, 123	PVC-2504580	94	PVCB-2009036	97
PTSC	106	PVC-2509024	95	PVCB-2009048	97
PVC-5030	93	PVC-2509036	95	PVCB-2509024	97
PVC-5045	93	PVC-2509048	95	PVCB-2509036	97
PVC-5090	92	PVC-2509080	94	PVCB-2509048	97
PVC-7530	93	PVC-3004580	94	PVCB-3009024	97
PVC-7545	93	PVC-3009024	95	PVCB-3009036	97
PVC-7590	92	PVC-3009036	95	PVCB-3009048	97
PVC-10030	93	PVC-3009048	95	PVCB-3509024	97
PVC-10045	93	PVC-3009080	94	PVCB-3509036	97
PVC-10090	92	PVC-3509024	95	PVCB-3509048	97
PVC-12530	93	PVC-3509036	95	PVCB-4009024	97
PVC-12545	93	PVC-3509048	95	PVCB-4009036	97
PVC-12590	92	PVC-4004580	94	PVCB-4009048	97
PVC-15030	93	PVC-4009024	95	PVS-200200	108
PVC-15045	93	PVC-4009036	95	PVS-200300	108
PVC-15090	92	PVC-4009048	95	PVS-300300	108
PVC-20030	93	PVC-4009080	94	PVS-400200	108
PVC-20045	93	PVC-5009036	95	PVS-400300	108
PVC-20090	92	PVC-5009048	95	PVS-500300	108
PVC-25030	93	PVC-6009036	95	PVS-600300	108
PVC-25045	93	PVC-6009048	95	PVSD-20	106
PVC-25090	92	PVC-20090248	96	PVTC-15	106
PVC-30030	93	PVC-20090368	96	PVTC-20	106
PVC-30045	93	PVC-20090488	96	PWDRC	106
PVC-30090	92	PVC-25090248	96	RC-50	136
PVC-35030	93	PVC-25090368	96	RC-75	136
PVC-35045	93	PVC-30090248	96	RC-100	136
PVC-35090	92	PVC-30090368	96	RC-125	136
PVC-40030	93	PVC-30090488	96	RC-150	136
PVC-40045	93	PVC-40090248	96	RC-200	136
PVC-40090	92	PVC-40090368	96	RC-250	136
PVC-50030	93	PVC-40090488	96	RC-300	136
PVC-50045	93	PVC-50090488	96	RC-350	136
PVC-50090	92	PVCB-5045	97	RC-400	136
PVC-60030	93	PVCB-5090	96	RC-500	136
PVC-60045	93	PVCB-7545	97	RC-600	136
PVC-60090	92	PVCB-7590	96	RIS-2007T2	137
PVC-504580	94	PVCB-10045	97	RIS-2507T2	137
PVC-509080	94	PVCB-10090	96	RT-14	137
PVC-754580	94	PVCB-12545	97	RT-18	137

ITEM#	PAGE	ITEM#	PAGE	ITEM#	PAGE
RT-38	137	SL-35	87		
RT-50	137	SL-70	87		
RT-75	137	SL-125	87		
RT-100	137	SL-175	87		
RT-125	137	SL-225	87		
RT-150	137	SL-300	87		
RT-200	137	SL-400	87		
RT-250	137	SL-650	87		
RT-300	137	SL-709	87		
RT-350	137	TA-50	171		
RT-400	137	TA-75	171		
SB-1/0	84	TA-100	171		
SB-2	84	TA-125	171		
SB-2/0	84	TA-150	171		
SB-3	84	TA-200	171		
SB-3/0	84	TDLA-1/0	88		
SB-4	84	TDLA-250	88		
SB-4/0	84	TL-1/0	87		
SB-6	84	TL-4	87		
SB-8	84	TL-8	87		
SB-350	84	TL-250	87		
SB-500	84	TLA-1/0	88		
SB-750	84	TLA-2	88		
SB-1000	84	TLA-2/0	88		
SCE-50	160	TLA-6	88		
SCE-75	160	TLA-250	88		
SCE-100	160	W-10	159		
SCE-125	160	W-11	159		
SCE-150	160	W-12	159		
SCE-200	160	W-13	159		
SCR-250	161	W-15	159		
SCR-300	161	WC-3	181		
SCR-350	161	WC-4	181		
SCR-400	161	WC-6	181		
SCR-500	161	WC-84	181		
SCR-600	161	WC-86	181		
SCU-50	161	WC-88	181		
SCU-75	161	WC-90	181		
SCU-100	161	WC1/0-4	171		
SCU-125	161	WC2-6	171		
SCU-150	161	YR-100	11		
SCU-200	161				
SG-50	30				
SG-75	30				
SG-100	30				
SG-125	30				
SG-150	30				
SG-200	30				
SG-250	30				
SG-300	30				
SG-350	30				
SG-400	30				
SG-500	30				
SG-600	30				
SL-25	87				

