

DEWALT®



**Instruction Manual
Guide D'utilisation
Manual de instrucciones**

DCS361

7-1/4" (184 mm) 20V Max* Cordless Sliding Compound Miter Saw

Scie à onglet composé coulissante sans fil 184 mm (7-1/4 po), 20 V Max*

Sierra ingleteadora compuesta deslizante inalámbrica de 184 mm (7-1/4") de 20 V Máx*

www.DEWALT.com

**If you have questions or comments, contact us.
Pour toute question ou tout commentaire, nous contacter.
Si tiene dudas o comentarios, contáctenos.**

1-800-4-DEWALT

English (<i>original instructions</i>)	1
Français (<i>traduction de la notice d'instructions originale</i>)	16
Español (<i>traducido de las instrucciones originales</i>)	32

Definitions: Safety Alert Symbols and Words

This instruction manual uses the following safety alert symbols and words to alert you to hazardous situations and your risk of personal injury or property damage.





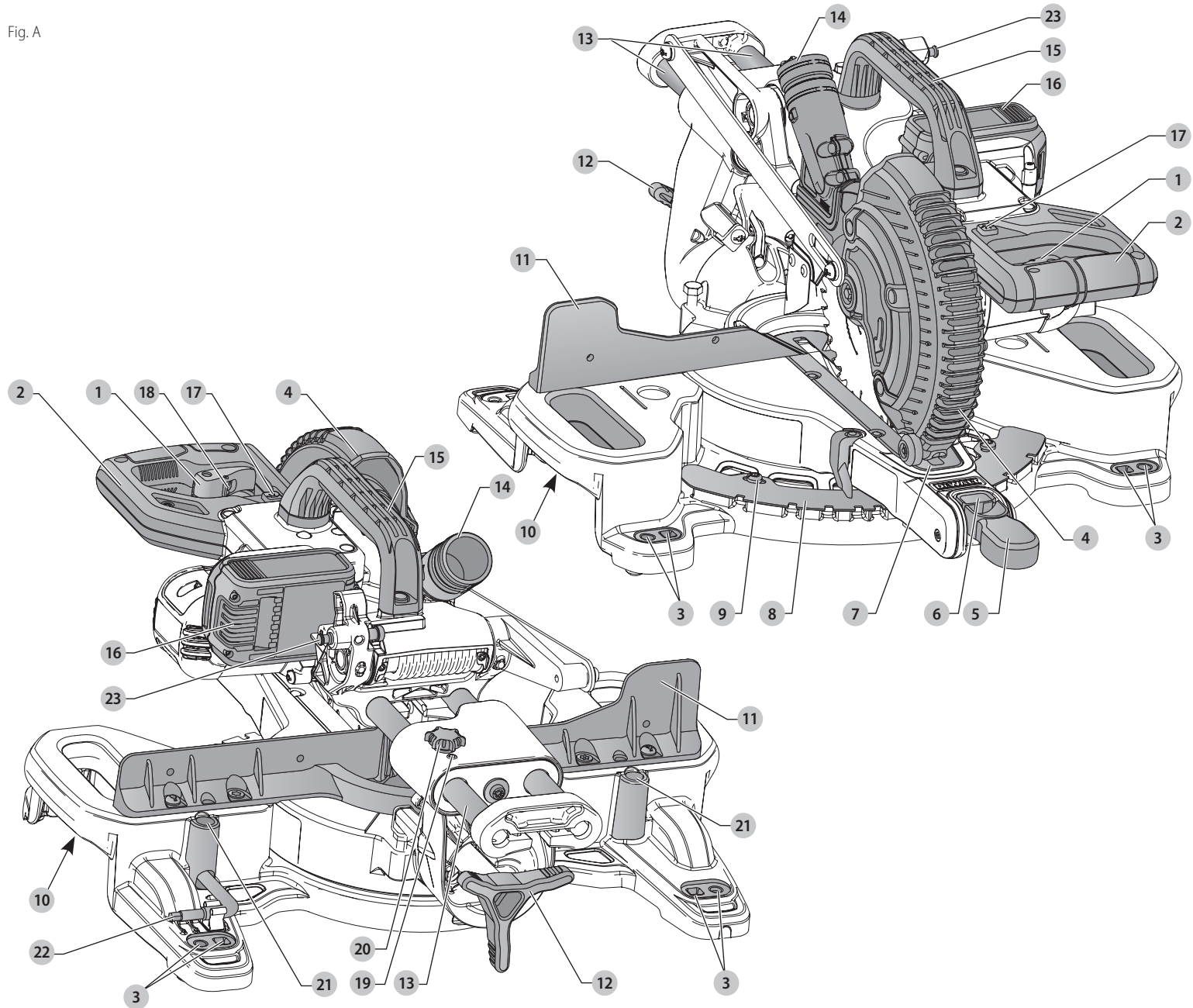


-  **DANGER:** Indicates an imminently hazardous situation which, if not avoided, **will** result in **death or serious injury**.
-  **WARNING:** Indicates a potentially hazardous situation which, if not avoided, **could** result in **death or serious injury**.
-  **CAUTION:** Indicates a potentially hazardous situation which, if not avoided, **may** result in **minor or moderate injury**.
-  (Used without word) Indicates a safety related message.
- NOTICE:** Indicates a practice **not related to personal injury** which, if not avoided, **may** result in **property damage**.

Fig. A



- | | |
|----------------------|---------------------------------------|
| 1 Trigger switch | 13 Rails |
| 2 Operating handle | 14 Dust port |
| 3 Mounting holes | 15 Lifting handle |
| 4 Lower guard | 16 Battery pack |
| 5 Miter lock knob | 17 CUTLINE worklight momentary switch |
| 6 Miter latch button | 18 Lock off lever |
| 7 Kerf plate | 19 Rail adjustment screw |
| 8 Miter scale | 20 Rail lock knob |
| 9 Miter scale screws | 21 Clamp mounting hole |
| 10 Hand indentations | 22 Blade wrench |
| 11 Fence | 23 Lock down pin |
| 12 Bevel lock knob | |

-  **WARNING! Read all safety warnings and all instructions.** Failure to follow the warnings and instructions may result in electric shock, fire and/or serious injury.
-  **WARNING:** To reduce the risk of injury, read the instruction manual.

If you have any questions or comments about this or any DEWALT tool, call us toll free at: 1-800-4-DEWALT (1-800-433-9258).

GENERAL POWER TOOL SAFETY WARNINGS



WARNING! Read all safety warnings and all instructions. Failure to follow the warnings and instructions may result in electric shock, fire and/or serious injury.

SAVE ALL WARNINGS AND INSTRUCTIONS FOR FUTURE REFERENCE

The term "power tool" in the warnings refers to your mains-operated (corded) power tool or battery-operated (cordless) power tool.

1) Work Area Safety

- Keep work area clean and well lit. Cluttered or dark areas invite accidents.
- Do not operate power tools in explosive atmospheres, such as in the presence of flammable liquids, gases or dust. Power tools create sparks which may ignite the dust or fumes.
- Keep children and bystanders away while operating a power tool. Distractions can cause you to lose control.

2) Electrical Safety

- Power tool plugs must match the outlet. Never modify the plug in any way. Do not use any adapter plugs with earthed (grounded) power tools. Unmodified plugs and matching outlets will reduce risk of electric shock.
- Avoid body contact with earthed or grounded surfaces such as pipes, radiators, ranges and refrigerators. There is an increased risk of electric shock if your body is earthed or grounded.
- Do not expose power tools to rain or wet conditions. Water entering a power tool will increase the risk of electric shock.
- Do not abuse the cord. Never use the cord for carrying, pulling or unplugging the power tool. Keep cord away from heat, oil, sharp edges or moving parts. Damaged or entangled cords increase the risk of electric shock.
- When operating a power tool outdoors, use an extension cord suitable for outdoor use. Use of a cord suitable for outdoor use reduces the risk of electric shock.
- If operating a power tool in a damp location is unavoidable, use a ground fault circuit interrupter (GFCI) protected supply. Use of a GFCI reduces the risk of electric shock.

3) Personal Safety

- Stay alert, watch what you are doing and use common sense when operating a power tool. Do not use a power tool while you are tired or under the influence of drugs, alcohol or medication. A moment of inattention while operating power tools may result in serious personal injury.
- Use personal protective equipment. Always wear eye protection. Protective equipment such as dust mask, non-skid safety shoes, hard hat, or hearing protection used for appropriate conditions will reduce personal injuries.
- Prevent unintentional starting. Ensure the switch is in the off position before connecting to power source and/or battery pack, picking up or carrying the tool. Carrying power tools with your finger on the switch or energizing power tools that have the switch on invites accidents.
- Remove any adjusting key or wrench before turning the power tool on. A wrench or key left attached to a rotating part of the power tool may result in personal injury.
- Do not overreach. Keep proper footing and balance at all times. This enables better control of the power tool in unexpected situations.
- Dress properly. Do not wear loose clothing or jewelry. Keep your hair, clothing and gloves away from moving parts. Loose clothes, jewelry or long hair can be caught in moving parts.
- If devices are provided for the connection of dust extraction and collection facilities, ensure these are connected and properly used. Use of dust collection can reduce dust-related hazards.
- Do not let familiarity gained from frequent use of tools allow you to become complacent and ignore tool safety principles. A careless action can cause severe injury within a fraction of a second.

4) Power Tool Use and Care

- Do not force the power tool. Use the correct power tool for your application. The correct power tool will do the job better and safer at the rate for which it was designed.
- Do not use the power tool if the switch does not turn it on and off. Any power tool that cannot be controlled with the switch is dangerous and must be repaired.
- Disconnect the plug from the power source and/or the battery pack from the power tool before making any adjustments, changing accessories, or storing power tools. Such preventive safety measures reduce the risk of starting the power tool accidentally.
- Store idle power tools out of the reach of children and do not allow persons unfamiliar with the power tool or these instructions to operate the power tool. Power tools are dangerous in the hands of untrained users.
- Maintain power tools. Check for misalignment or binding of moving parts, breakage of parts and any other condition that may affect the power tool's operation. If damaged, have the power tool repaired before use. Many accidents are caused by poorly maintained power tools.

- Keep cutting tools sharp and clean. Properly maintained cutting tools with sharp cutting edges are less likely to bind and are easier to control.
- Use the power tool, accessories and tool bits, etc. in accordance with these instructions, taking into account the working conditions and the work to be performed. Use of the power tool for operations different from those intended could result in a hazardous situations.
- Keep handles and grasping surfaces dry, clean and free from oil and grease. Slippery handles and grasping surfaces do not allow for safe handling and control of the tool in unexpected situations.

5) Battery Tool Use and Care

- Recharge only with the charger specified by the manufacturer. A charger that is suitable for one type of battery pack may create a risk of fire when used with another battery pack.
- Use power tools only with specifically designated battery packs. Use of any other battery packs may create a risk of injury and fire.
- When battery pack is not in use, keep it away from other metal objects, like paper clips, coins, keys, nails, screws, or other small metal objects, that can make a connection from one terminal to another. Shorting the battery terminals together may cause burns or a fire.
- Under abusive conditions, liquid may be ejected from the battery; avoid contact. If contact accidentally occurs, flush with water. If liquid contacts eyes, additionally seek medical help. Liquid ejected from the battery may cause irritation or burns.
- Do not use a battery pack or tool that is damaged or modified. Damaged or modified batteries may exhibit unpredictable behavior resulting in fire, explosion or risk of injury.
- Do not expose a battery pack or tool to fire or excessive temperature. Exposure to fire or temperature above 130 °C may cause explosion.
- Follow all charging instructions and do not charge the battery pack or tool outside the temperature range specified in the instructions. Charging improperly or at temperatures outside the specified range may damage the battery and increase the risk of fire.

6) Service

- Have your power tool serviced by a qualified repair person using only identical replacement parts. This will ensure that the safety of the power tool is maintained.

Safety Instructions for Miter Saws

- Miter saws are intended to cut wood or wood-like products, they cannot be used with abrasive cut-off wheels for cutting ferrous material such as bars, rods, studs, etc. Abrasive dust causes moving parts such as the lower guard to jam. Sparks from abrasive cutting will burn the lower guard, the kerf insert and other plastic parts.
- Use clamps to support the workpiece whenever possible. If supporting the workpiece by hand, you must always keep your hand at least 100 mm from either side of the saw blade. Do not use this saw to cut pieces that are too small to be securely clamped or held by hand. If your hand is placed too close to the saw blade, there is an increased risk of injury from blade contact.
- The workpiece must be stationary and clamped or held against both the fence and the table. Do not feed the workpiece into the blade or cut "freehand" in any way. Unrestrained or moving workpieces could be thrown at high speeds, causing injury.
- Push the saw through the workpiece. Do not pull the saw through the workpiece. To make a cut, raise the saw head and pull it out over the workpiece without cutting, start the motor, press the saw head down and push the saw through the workpiece. Cutting on the pull stroke is likely to cause the saw blade to climb on top of the workpiece and violently throw the blade assembly towards the operator.
- Never cross your hand over the intended line of cutting either in front or behind the saw blade. Supporting the workpiece "cross handed" i.e. holding the workpiece to the right of the saw blade with your left hand or vice versa is very dangerous.
- Do not reach behind the fence with either hand closer than 100 mm from either side of the saw blade, to remove wood scraps, or for any other reason while the blade is spinning. The proximity of the spinning saw blade to your hand may not be obvious and you may be seriously injured.
- Inspect your workpiece before cutting. If the workpiece is bowed or warped, clamp it with the outside bowed face toward the fence. Always make certain that there is no gap between the workpiece, fence and table along the line of the cut. Bent or warped workpieces can twist or shift and may cause binding on the spinning saw blade while cutting. There should be no nails or foreign objects in the workpiece.
- Do not use the saw until the table is clear of all tools, wood scraps, etc., except for the workpiece. Small debris or loose pieces of wood or other objects that contact the revolving blade can be thrown with high speed.
- Cut only one workpiece at a time. Stacked multiple workpieces cannot be adequately clamped or braced and may bind on the blade or shift during cutting.
- Ensure the miter saw is mounted or placed on a level, firm work surface before use. A level and firm work surface reduces the risk of the miter saw becoming unstable.
- Plan your work. Every time you change the bevel or miter angle setting, make sure the fence will not interfere with the blade or the guarding system. Without turning the tool

"ON" and with no workpiece on the table, move the saw blade through a complete simulated cut to assure there will be no interference or danger of cutting the fence.

- **Provide adequate support such as table extensions, saw horses, etc. for a workpiece that is wider or longer than the table top.** Workpieces longer or wider than the miter saw table can tip if not securely supported. If the cut-off piece or workpiece tips, it can lift the lower guard or be thrown by the spinning blade.
- **Do not use another person as a substitute for a table extension or as additional support.** Unstable support for the workpiece can cause the blade to bind or the workpiece to shift during the cutting operation pulling you and the helper into the spinning blade.
- **The cut-off piece must not be jammed or pressed by any means against the spinning saw blade.** If confined, i.e. using length stops, the cut-off piece could get wedged against the blade and thrown violently.
- **Always use a clamp or a fixture designed to properly support round material such as rods or tubing.** Rods have a tendency to roll while being cut, causing the blade to "bite" and pull the work with your hand into the blade.
- **Let the blade reach full speed before contacting the workpiece.** This will reduce the risk of the workpiece being thrown.
- **If the workpiece or blade becomes jammed, turn the miter saw off. Wait for all moving parts to stop and disconnect the plug from the power source and/or remove the battery pack. Then work to free the jammed material.** Continued sawing with a jammed workpiece could cause loss of control or damage to the miter saw.
- **After finishing the cut, release the switch, hold the saw head down and wait for the blade to stop before removing the cut-off piece.** Reaching with your hand near the coasting blade is dangerous.
- **Hold the handle firmly when making an incomplete cut or when releasing the switch before the saw head is completely in the down position.** The braking action of the saw may cause the saw head to be suddenly pulled downward, causing a risk of injury.

Additional Safety Rules for Miter Saws

- **WARNING:** Do not insert the battery into the unit until complete instructions are read and understood.
- **NEVER PLACE HANDS CLOSER THAN 4" (100 mm) FROM THE BLADE.**
- **DO NOT OPERATE THIS MACHINE** until it is completely assembled and installed according to the instructions. A machine incorrectly assembled can cause serious injury.
- **OBTAIN ADVICE** from your supervisor, instructor, or another qualified person if you are not thoroughly familiar with the operation of this machine. Knowledge is safety.
- **FOLLOW ALL WIRING CODES** and recommended electrical connections to prevent shock or electrocution. Protect electric supply line with at least a 15 ampere time-delay fuse or a circuit breaker.
- **MAKE CERTAIN** the blade rotates in the correct direction. The teeth on the blade should point in the direction of rotation as marked on the saw.
- **TIGHTEN ALL CLAMP HANDLES,** knobs and levers prior to operation. Loose clamps can cause parts or the workpiece to be thrown at high speeds.
- **BE SURE** all blade and blade clamps are clean, recessed sides of blade clamps are against blade and arbor screw is tightened securely. Loose or improper blade clamping may result in damage to the saw and possible personal injury.
- **DO NOT OPERATE ON ANYTHING OTHER THAN THE DESIGNATED VOLTAGE** for the saw. Overheating, damage to the tool and personal injury may occur.
- **DO NOT WEDGE ANYTHING AGAINST THE FAN** to hold the motor shaft. Damage to tool and possible personal injury may occur.
- **NEVER CUT METALS** or masonry. Either of these can cause the carbide tips to fly off the blade at high speeds causing serious injury.
- **NEVER HAVE ANY PART OF YOUR BODY IN LINE WITH THE PATH OF THE SAW BLADE.** Personal injury will occur.
- **NEVER APPLY BLADE LUBRICANT TO A RUNNING BLADE.** Applying lubricant could cause your hand to move into the blade resulting in serious injury.
- **DO NOT** place either hand in the blade area when the saw is connected to the power source. Inadvertent blade activation may result in serious injury.
- **NEVER REACH AROUND OR BEHIND THE SAW BLADE.** A blade can cause serious injury.
- **DO NOT REACH UNDERNEATH THE SAW** unless it is unplugged and turned off. Contact with saw blade may cause personal injury.
- **SECURE THE MACHINE TO A STABLE SUPPORTING SURFACE.** Vibration can possibly cause the machine to slide, walk, or tip over, causing serious injury.
- **USE ONLY CROSSCUT SAW BLADES** recommended for miter saws. For best results, do not use carbide tipped blades with hook angles in excess of 7 degrees. Do not use blades with deep gullets. These can deflect and contact the guard, and can cause damage to the machine and/or serious injury.
- **USE ONLY BLADES OF THE CORRECT SIZE AND TYPE** specified for this tool to prevent damage to the machine and/or serious injury.
- **INSPECT BLADE FOR CRACKS** or other damage prior to operation. A cracked or damaged blade can come apart and pieces can be thrown at high speeds, causing serious injury. Replace cracked or damaged blades immediately.
- **CLEAN THE BLADE AND BLADE CLAMPS** prior to operation. Cleaning the blade and blade clamps allows you to check for any damage to the blade or blade clamps. A cracked or damaged

blade or blade clamp can come apart and pieces can be thrown at high speeds, causing serious injury.

- **DO NOT USE WARPED BLADES.** Check to see if the blade runs true and is free from vibration. A vibrating blade can cause damage to the machine and/or serious injury.
- **DO NOT** use lubricants or cleaners (particularly spray or aerosol) in the vicinity of the plastic guard. The polycarbonate material used in the guard is subject to attack by certain chemicals.
- **KEEP GUARD IN PLACE** and in working order.
- **ALWAYS USE THE KERF PLATE AND REPLACE THIS PLATE WHEN DAMAGED.** Small chip accumulation under the saw may interfere with the saw blade or may cause instability of workpiece when cutting.
- **USE ONLY BLADE CLAMPS SPECIFIED FOR THIS TOOL** to prevent damage to the machine and/or serious injury.
- **CLEAN THE MOTOR AIR SLOTS** of chips and sawdust. Clogged motor air slots can cause the machine to overheat, damaging the machine and possibly causing a short which could cause serious injury.
- **NEVER LOCK THE SWITCH IN THE "ON" POSITION.** Severe personal injury may result.
- **NEVER STAND ON TOOL.** Serious injury could occur if the tool is tipped or if the cutting tool is unintentionally contacted.
- **ADDITIONAL INFORMATION** regarding the safe and proper operation of power tools (i.e., a safety video) is available from the Power Tool Institute, 1300 Sumner Avenue, Cleveland, OH 44115-2851 (www.powertoolinstitute.com). Information is also available from the National Safety Council, 1121 Spring Lake Drive, Itasca, IL 60143-3201. Please refer to the American National Standards Institute ANSI O1.1 Safety Requirements for Woodworking Machines and the U.S. Department of Labor OSHA 1910.213 Regulations.



WARNING: Cutting plastics, sap coated wood, and other materials may cause melted material to accumulate on the blade tips and the body of the saw blade, increasing the risk of blade overheating and binding while cutting.



WARNING: ALWAYS use safety glasses. Everyday eyeglasses are NOT safety glasses. Also use face or dust mask if cutting operation is dusty. ALWAYS WEAR CERTIFIED SAFETY EQUIPMENT:

- ANSI Z87.1 eye protection (CAN/CSA Z94.3),
- ANSI S12.6 (S3.19) hearing protection,
- NIOSH/OSHA/MSHA respiratory protection.



WARNING: Some dust created by power sanding, sawing, grinding, drilling, and other construction activities contains chemicals known to the State of California to cause cancer, birth defects or other reproductive harm. Some examples of these chemicals are:

- lead from lead-based paints,
- crystalline silica from bricks and cement and other masonry products, and
- arsenic and chromium from chemically-treated lumber.

Your risk from these exposures varies, depending on how often you do this type of work. To reduce your exposure to these chemicals: work in a well ventilated area, and work with approved safety equipment, such as those dust masks that are specially designed to filter out microscopic particles.

- **Avoid prolonged contact with dust from power sanding, sawing, grinding, drilling, and other construction activities. Wear protective clothing and wash exposed areas with soap and water.** Allowing dust to get into your mouth, eyes, or lay on the skin may promote absorption of harmful chemicals.



WARNING: Use of this tool can generate and/or disperse dust, which may cause serious and permanent respiratory or other injury. Always use NIOSH/OSHA approved respiratory protection appropriate for the dust exposure. Direct particles away from face and body.



WARNING: Always wear proper personal hearing protection that conforms to ANSI S12.6 (S3.19) during use. Under some conditions and duration of use, noise from this product may contribute to hearing loss.



CAUTION: When not in use, place tool on its side on a stable surface where it will not cause a tripping or falling hazard. Some tools with large battery packs will stand upright on the battery pack but may be easily knocked over.

- **Air vents often cover moving parts and should be avoided.** Loose clothes, jewelry or long hair can be caught in moving parts.

The label on your tool may include the following symbols. The symbols and their definitions are as follows:

V	volts	~ or AC	alternating current
Hz	hertz	~ or AC/DC	alternating or direct current
min	minutes	□	Class II Construction (double insulated)
— or DC	direct current	n ₀	no load speed
Ⓢ	Class I Construction (grounded)	n	rated speed
.../min	per minute	⊕	earthing terminal
BPM	beats per minute	⚠	safety alert symbol
IPM	impacts per minute	☀	visible radiation
RPM	revolutions per minute	☑	wear respiratory protection
sfpm	surface feet per minute	☑	wear eye protection
SPM	strokes per minute	☑	wear hearing protection
A	amperes	📖	read all documentation
W	watts		

For your convenience and safety, the following warning labels are on your miter saw.

ON GUARD:

DANGER—KEEP AWAY FROM BLADE.

ON UPPER GUARD:

PROPERLY SECURE BRACKET WITH BOTH SCREWS BEFORE USE.

ON TABLE: (2 PLACES)

WARNING: TO REDUCE THE RISK OF INJURY, USER MUST READ INSTRUCTION MANUAL BEFORE OPERATING MITER SAW. KEEP HANDS AND BODY OUT OF THE PATH OF THE SAW BLADE. CONTACT WITH BLADE WILL RESULT IN SERIOUS INJURY. DO NOT OPERATE SAW WITHOUT GUARDS IN PLACE. CHECK LOWER GUARD FOR PROPER CLOSING BEFORE EACH USE. ALWAYS TIGHTEN ADJUSTMENT KNOBS BEFORE USE. DO NOT PERFORM ANY OPERATION FREEHAND. CLAMP SMALL PIECES BEFORE CUTTING. NEVER REACH IN BACK OF SAW BLADE. NEVER CROSS ARMS IN FRONT OF BLADE. TURN OFF TOOL AND WAIT FOR SAW BLADE TO STOP BEFORE MOVING WORKPIECE, CHANGING SETTINGS OR MOVING HANDS. REMOVE BATTERY PACK BEFORE ADJUSTING, CHANGING BLADE OR SERVICING. TO REDUCE THE RISK OF INJURY, RETURN CARRIAGE TO THE FULL REAR POSITION AFTER EACH CROSSCUT OPERATION. THINK! YOU CAN PREVENT ACCIDENTS.



ON BASE: (2 PLACES)



Accessories

WARNING: Since accessories, other than those offered by DeWALT, have not been tested with this product, use of such accessories with this tool could be hazardous. To reduce the risk of injury, only DeWALT recommended accessories should be used with this product.

Recommended accessories for use with your tool are available for purchase from your local dealer or authorized service center. If you need assistance in locating any accessory for your tool, please contact DeWALT Industrial Tool Co., 701 East Joppa Road, Towson, MD 21286, call 1-800-4-DEWALT (1-800-433-9258) or visit our website: www.DeWALT.com.

Optional Accessories

The following accessories, designed for your saw, may be helpful. In some cases, other locally obtained work supports, length stops, clamps, etc., may be more appropriate. Use care in selecting and using accessories.

SAW BLADES: ONLY USE 7-1/4" (184 mm) SAW BLADES WITH 5/8" (16 mm) DIAMETER ROUND ARBOR HOLES and a maximum KERF of 2.1 mm. SPEED RATING MUST BE AT LEAST 4000 RPM. DO NOT USE BLADES WITH DIAMOND-SHAPED ARBOR HOLES. Never use a different diameter blade. It will not be guarded properly. Use crosscut blades only! Do not use blades designed for ripping, combination blades or blades with hook angles in excess of 7°.

BLADE DESCRIPTIONS		
APPLICATION	DIAMETER	TEETH
General Purpose	7-1/4" (184 mm)	40
Fine Woodcutting	7-1/4" (184 mm)	60

BATTERIES AND CHARGERS

The battery pack is not fully charged out of the carton. Before using the battery pack and charger, read the safety instructions below and then follow charging procedures outlined. When ordering replacement battery packs, be sure to include the catalog number and voltage.

Your tool uses a DeWALT charger. Be sure to read all safety instructions before using your charger. Consult the chart at the end of this manual for compatibility of chargers and battery packs.

READ ALL INSTRUCTIONS

Important Safety Instructions for All Battery Packs

- WARNING:** Read all safety warnings and all instructions for the battery pack, charger and power tool. Failure to follow the warnings and instructions may result in electric shock, fire and/or serious injury.
- Do not charge or use the battery pack in explosive atmospheres, such as in the presence of flammable liquids, gases or dust. Inserting or removing the battery pack from the charger may ignite the dust or fumes.
- NEVER force the battery pack into the charger. DO NOT modify the battery pack in any way to fit into a non-compatible charger as battery pack may rupture causing serious personal injury. Consult the chart at the end of this manual for compatibility of batteries and chargers.
- Charge the battery packs only in designated DeWALT chargers.
- DO NOT splash or immerse in water or other liquids.
- Do not store or use the tool and battery pack in locations where the temperature may reach or exceed 104 °F (40 °C) (such as outside sheds or metal buildings in summer). For best life store battery packs in a cool, dry location.

NOTE: Do not store the battery packs in a tool with the trigger switch locked on. Never tape the trigger switch in the ON position.

- Do not incinerate the battery pack even if it is severely damaged or is completely worn out. The battery pack can explode in a fire. Toxic fumes and materials are created when lithium ion battery packs are burned.
- If battery contents come into contact with the skin, immediately wash area with mild soap and water. If battery liquid gets into the eye, rinse water over the open eye for 15 minutes or until irritation ceases. If medical attention is needed, the battery electrolyte is composed of a mixture of liquid organic carbonates and lithium salts.
- Contents of opened battery cells may cause respiratory irritation. Provide fresh air. If symptoms persist, seek medical attention.

WARNING: Burn hazard. Battery liquid may be flammable if exposed to spark or flame.

WARNING: Fire hazard. Never attempt to open the battery pack for any reason. If the battery pack case is cracked or damaged, do not insert into the charger. Do not crush, drop or damage the battery pack. Do not use a battery pack or charger that has received a sharp blow, been dropped, run over or damaged in any way (e.g., pierced with a nail, hit with a hammer, stepped on). Damaged battery packs should be returned to the service center for recycling.

Transportation

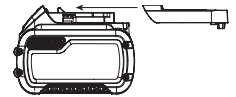
WARNING: Fire hazard. Do not store or carry the battery pack so that metal objects can contact exposed battery terminals. For example, do not place the battery pack in aprons, pockets, tool boxes, product kit boxes, drawers, etc., with loose nails, screws, keys, etc. Transporting batteries can possibly cause fires if the battery terminals inadvertently come in contact with conductive materials such as keys, coins, hand tools and the like. The US Department of Transportation Hazardous Material Regulations (HMR) actually prohibit transporting batteries in commerce or on airplanes in carry-on baggage UNLESS they are properly protected from short circuits. So when transporting individual battery packs, make sure that the battery terminals are protected and well insulated from materials that could contact them and cause a short circuit.

Shipping the DeWALT FLEXVOLT™ Battery

The DeWALT FLEXVOLT™ battery has two modes: **Use** and **Shipping**.

Use Mode: When the FLEXVOLT™ battery stands alone or is in a DeWALT 20V Max* product, it will operate as a 20V Max* battery. When the FLEXVOLT™ battery is in a 60V Max* or a 120V Max* (two 60V Max* batteries) product, it will operate as a 60V Max* battery.

Shipping Mode: When the cap is attached to the FLEXVOLT™ battery, the battery is in Shipping Mode. Strings of cells are electrically disconnected within the pack resulting in three batteries with a lower Watt hour (Wh) rating as compared to one battery with a higher Watt hour rating. This increased quantity of three batteries with the lower Watt hour rating can exempt the pack from certain shipping regulations that are imposed upon the higher Watt hour batteries.



The battery label indicates two Watt hour ratings (see example). Depending on how the battery is shipped, the appropriate Watt hour rating must be used to determine the applicable shipping requirements. If utilizing the shipping cap, the pack will be considered 3 batteries at the Watt hour rating indicated for "Shipping". If shipping without the cap or in a tool, the pack will be considered one battery at the Watt hour rating indicated next to "Use".

Example of Use and Shipping Label Marking

USE: 120 Wh Shipping: 3 x 40 Wh

For example, Shipping Wh rating might indicate 3 x 40 Wh, meaning 3 batteries of 40 Watt hours each. The Use Wh rating might indicate 120 Wh (1 battery implied).

Fuel Gauge Battery Packs (Fig. B)

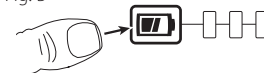
Some DeWALT battery packs include a fuel gauge which consists of three green LED lights that indicate the level of charge remaining in the battery pack.

The fuel gauge is an indication of approximate levels of charge remaining in the battery pack according to the following indicators:

- 75–100% charged
- 51–74% charged
- < 50% charged
- Pack needs to be charged

To actuate the fuel gauge, press and hold the fuel gauge button. A combination of the three green LED lights will illuminate designating the level of charge left. When the level of charge in the battery is below the usable limit, the fuel gauge will not illuminate and the battery will need to be recharged.

Fig. B



NOTE: The fuel gauge is only an indication of the charge left on the battery pack. It does not indicate tool functionality and is subject to variation based on product components, temperature and end-user application.

For more information regarding fuel gauge battery packs, please contact call 1-800-4-DEWALT (1-800-433-9258) or visit our website www.dewalt.com.

The RBRC® Seal

The RBRC® (Rechargeable Battery Recycling Corporation) Seal on the nickel cadmium, nickel metal hydride or lithium-ion batteries (or battery packs) indicates that the costs to recycle these batteries (or battery packs) at the end of their useful life have already been paid by DEWALT. In some areas, it is illegal to place spent nickel cadmium, nickel metal hydride or lithium-ion batteries in the trash or municipal solid waste stream and the Call 2 Recycle® program provides an environmentally conscious alternative.



Call 2 Recycle, Inc., in cooperation with DEWALT and other battery users, has established the program in the United States and Canada to facilitate the collection of spent nickel cadmium, nickel metal hydride or lithium-ion batteries. Help protect our environment and conserve natural resources by returning the spent nickel cadmium, nickel metal hydride or lithium-ion batteries to an authorized DEWALT service center or to your local retailer for recycling. You may also contact your local recycling center for information on where to drop off the spent battery. RBRC® is a registered trademark of Call 2 Recycle, Inc.

Important Safety Instructions for All Battery Chargers

WARNING: Read all safety warnings and all instructions for the battery pack, charger and power tool. Failure to follow the warnings and instructions may result in electric shock, fire and/or serious injury.

- **DO NOT attempt to charge the battery pack with any chargers other than the ones in this manual.** The charger and battery pack are specifically designed to work together.
- **These chargers are not intended for any uses other than charging DEWALT rechargeable batteries.** Any other uses may result in risk of fire, electric shock or electrocution.
- **Do not expose the charger to rain or snow.**
- **Pull by the plug rather than the cord when disconnecting the charger.** This will reduce the risk of damage to the electric plug and cord.
- **Make sure that the cord is located so that it will not be stepped on, tripped over or otherwise subjected to damage or stress.**
- **Do not use an extension cord unless it is absolutely necessary.** Use of improper extension cord could result in risk of fire, electric shock or electrocution.
- **When operating a charger outdoors, always provide a dry location and use an extension cord suitable for outdoor use.** Use of a cord suitable for outdoor use reduces the risk of electric shock.
- **An extension cord must have adequate wire size (AWG or American Wire Gauge) for safety.** The smaller the gauge number of the wire, the greater the capacity of the cable, that is, 16 gauge has more capacity than 18 gauge. An undersized cord will cause a drop in line voltage resulting in loss of power and overheating. When using more than one extension to make up the total length, be sure each individual extension contains at least the minimum wire size. The following table shows the correct size to use depending on cord length and nameplate ampere rating. If in doubt, use the next heavier gauge. The lower the gauge number, the heavier the cord.

Minimum Gauge for Cord Sets

Volts	Total Length of Cord in Feet (meters)					
	120 V	25 (7.6)	50 (15.2)	100 (30.5)	150 (45.7)	
240 V	50 (15.2)	100 (30.5)	200 (61.0)	300 (91.4)		
Ampere Rating		American Wire Gauge				
More Than	Not More Than					
0	6	18	16	16	14	
6	10	18	16	14	12	
10	12	16	16	14	12	
12	16	14	12	Not Recommended		

- **Do not place any object on top of the charger or place the charger on a soft surface that might block the ventilation slots and result in excessive internal heat.** Place the charger in a position away from any heat source. The charger is ventilated through slots in the top and the bottom of the housing.
- **Do not operate the charger with a damaged cord or plug.**
- **Do not operate the charger if it has received a sharp blow, been dropped or otherwise damaged in any way.** Take it to an authorized service center.
- **Do not disassemble the charger; take it to an authorized service center when service or repair is required.** Incorrect reassembly may result in a risk of electric shock, electrocution or fire.
- **Disconnect the charger from the outlet before attempting any cleaning. This will reduce the risk of electric shock.** Removing the battery pack will not reduce this risk.
- **NEVER attempt to connect 2 chargers together.**
- **The charger is designed to operate on standard 120V household electrical power. Do not attempt to use it on any other voltage.** This does not apply to the vehicular charger.

- ⚠ **WARNING:** Shock hazard. Do not allow any liquid to get inside the charger. Electric shock may result.
 - ⚠ **WARNING:** Burn hazard. Do not submerge the battery pack in any liquid or allow any liquid to enter the battery pack. Never attempt to open the battery pack for any reason. If the plastic housing of the battery pack breaks or cracks, return to a service center for recycling.
 - ⚠ **CAUTION:** Burn hazard. To reduce the risk of injury, charge only DEWALT rechargeable battery packs. Other types of batteries may overheat and burst resulting in personal injury and property damage.
- NOTICE:** Under certain conditions, with the charger plugged into the power supply, the charger can be shorted by foreign material. Foreign materials of a conductive nature, such as, but not limited to, grinding dust, metal chips, steel wool, aluminum foil or any buildup of metallic particles should be kept away from the charger cavities. Always unplug the charger from the power supply when there is no battery pack in the cavity. Unplug the charger before attempting to clean.

Wireless Certifications and Safety Information

- This device is CAN ICES-3(B)/NMB-3(B) compliant.
- This device complies with Part 15 of the FCC rules and Industry Canada License-exempt RSS standard(s). Operation is subject to the following two conditions:
 - This device may not cause harmful interference, and
 - This device must accept any interference received, including interference that may cause undesired operation.

This equipment has been tested and found to comply with the limits for a Class B digital device, pursuant to Part 15 of the FCC Rules. These limits are designed to provide reasonable protection against harmful interference in a residential installation. This equipment generates, uses and can radiate radio frequency energy and, if not installed and used in accordance with the instructions, may cause harmful interference to radio communications. However, there is no guarantee that interference will not occur in a particular installation. If this equipment does cause harmful interference to radio or television reception, which can be determined by turning the equipment off and on, the user is encouraged to try to correct the interference by one or more of the following measures:

- Reorient or relocate the receiving antenna.
- Increase the separation between the equipment and adaptor.
- Connect the equipment into an outlet on a circuit different from that to which the adaptor is connected.
- Consult the dealer or an experienced radio/TV technician for help.
- Changes or modifications to this equipment not expressly approved by the manufacturer could void the user's authority to operate the device. This Class B digital apparatus complies with Canadian ICES-003.
- Under Industry Canada regulations, this radio transmitter may only operate using an antenna of a type and maximum (or lesser) gain approved for the transmitter by Industry Canada. To reduce potential radio interference to other users, the antenna type and its gain should be so chosen that the equivalent isotropically radiated power (e.i.r.p.) is not more than that necessary for successful communication.
- To comply with FCC and Industry Canada RF radiation exposure limits for general population, the antenna used for this device must not be co-located or operating in conjunction with any other antenna or transmitter.

For Bluetooth® Products

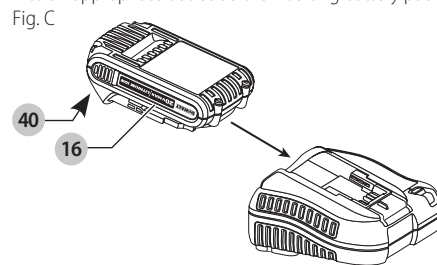
- When traveling on airlines, be sure to comply with the airline restrictions on usage of personal electronic devices and Bluetooth®.
- The out of range alert feature has been designed to act as an aid to warn against products getting misplaced or stolen. It is not a security system.
- The connectivity range is up to 100 feet (30.5 meters) depending on environment and location.
- The shortwave radio frequency signals of a Bluetooth® device may impair the operation of other electronic and medical devices (such as pacemakers or hearing aids).

NOTE: The Bluetooth® word mark and logos are registered trademarks owned by the Bluetooth® SIG, Inc. and any use of such marks by DEWALT is under license. Other trademarks and trade names are those of their respective owners.

This product complies with these standards when operated with a 6 foot (1.8 meters) or shorter extension cord.

Charging a Battery (Fig. C)

1. Plug the charger into an appropriate outlet before inserting battery pack.



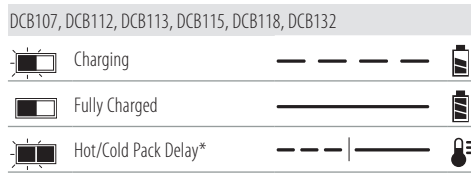
2. Insert the battery pack 16 into the charger, making sure the battery pack is fully seated in the charger. The red (charging) light will blink continuously indicating that the charging process has started.

- The completion of charge will be indicated by the red light remaining ON continuously. The battery pack is fully charged and may be used at this time or left in the charger. To remove the battery pack from the charger, push the battery release button **40** on the battery pack.

NOTE: To ensure maximum performance and life of lithium-ion battery packs, charge the battery pack fully before first use.

Charger Operation

Refer to the indicators below for the charge status of the battery pack.



***DCB107, DCB112, DCB113, DCB115, DCB118, DCB132:** The red light will continue to blink, but a yellow indicator light will be illuminated during this operation. Once the battery pack has reached an appropriate temperature, the yellow light will turn off and the charger will resume the charging procedure.

The compatible charger(s) will not charge a faulty battery pack. The charger will indicate faulty battery pack by refusing to light or by displaying a problem pack or charger blink pattern.

NOTE: This could also mean a problem with a charger.

If the charger indicates a problem, take the charger and battery pack to be tested at an authorized service center.

Hot/Cold Pack Delay

When the charger detects a battery pack that is too hot or too cold, it automatically starts a Hot/Cold Pack Delay, suspending charging until the battery pack has reached an appropriate temperature. The charger then automatically switches to the pack charging mode. This feature ensures maximum battery pack life.

A cold battery pack will charge at a slower rate than a warm battery pack. The battery pack will charge at that slower rate throughout the entire charging cycle and will not return to maximum charge rate even if the battery pack warms.

The DCB118 charger is equipped with an internal fan designed to cool the battery pack. The fan will turn on automatically when the battery pack needs to be cooled.

Never operate the charger if the fan does not operate properly or if ventilation slots are blocked. Do not permit foreign objects to enter the interior of the charger.

Electronic Protection System

Li-Ion tools are designed with an Electronic Protection System that will protect the battery pack against overloading, overheating or deep discharge.

The tool will automatically turn off if the Electronic Protection System engages. If this occurs, place the lithium-ion battery pack on the charger until it is fully charged.

Wall Mounting

DCB107, DCB112, DCB113, DCB115, DCB118, DCB132

These chargers are designed to be wall mountable or to sit upright on a table or work surface. If wall mounting, locate the charger within reach of an electrical outlet, and away from a corner or other obstructions which may impede air flow. Use the back of the charger as a template for the location of the mounting screws on the wall. Mount the charger securely using drywall screws (purchased separately) at least 1" (25.4 mm) long, with a screw head diameter of 0.28–0.35" (7–9 mm), screwed into wood to an optimal depth leaving approximately 7/32" (5.5 mm) of the screw exposed. Align the slots on the back of the charger with the exposed screws and fully engage them in the slots.

Charger Cleaning Instructions

WARNING: Shock hazard. Disconnect the charger from the AC outlet before cleaning. Dirt and grease may be removed from the exterior of the charger using a cloth or soft non-metallic brush. Do not use water or any cleaning solutions.

Important Charging Notes

- Longest life and best performance can be obtained if the battery pack is charged when the air temperature is between 65 °F and 75 °F (18 ° – 24 °C). DO NOT charge the battery pack in an air temperature below +40 °F (+4.5 °C), or above +104 °F (+40 °C). This is important and will prevent serious damage to the battery pack.
- The charger and battery pack may become warm to the touch while charging. This is a normal condition, and does not indicate a problem. To facilitate the cooling of the battery pack after use, avoid placing the charger or battery pack in a warm environment such as in a metal shed or an uninsulated trailer.
- If the battery pack does not charge properly:
 - Check operation of receptacle by plugging in a lamp or other appliance;
 - Check to see if receptacle is connected to a light switch which turns power off when you turn out the lights;
 - Move the charger and battery pack to a location where the surrounding air temperature is approximately 65 °F – 75 °F (18 ° – 24 °C);
 - If charging problems persist, take the tool, battery pack and charger to your local service center.

- The battery pack should be recharged when it fails to produce sufficient power on jobs which were easily done previously. DO NOT CONTINUE to use under these conditions. Follow the charging procedure. You may also charge a partially used pack whenever you desire with no adverse effect on the battery pack.
- Foreign materials of a conductive nature such as, but not limited to, grinding dust, metal chips, steel wool, aluminum foil, or any buildup of metallic particles should be kept away from charger cavities. Always unplug the charger from the power supply when there is no battery pack in the cavity. Unplug the charger before attempting to clean.
- Do not freeze or immerse the charger in water or any other liquid.

Storage Recommendations

- The best storage place is one that is cool and dry, away from direct sunlight and excess heat or cold.
- For long storage, it is recommended to store a fully charged battery pack in a cool dry place out of the charger for optimal results.

NOTE: Battery packs should not be stored completely depleted of charge. The battery pack will need to be recharged before use.

SAVE THESE INSTRUCTIONS FOR FUTURE USE

Unpacking Your Saw

Check the contents of your miter saw carton to make sure that you have received all parts.

In addition to this instruction manual, the carton should contain:

- 1 DCS361 miter saw
 - 1 DeWALT 7–1/4" (184 mm) diameter saw blade
 - 1 1/4" (6.35 mm) hex and T30 torx blade wrench
 - 1 Charger (Kit only)
 - 1 Battery (Kit only)
- In bag:
- 1 Dust bag
 - 1 Material clamp

Specifications

Capacity of cut

	Height	Width
0° Miter / 0° Bevel	2" (50.8mm)	8" (209.5 mm)
45° Meter / 0° Bevel	2" (50.8mm)	5.75" (146 mm)
48° Miter / 0° Bevel	2" (50.8mm)	6" (152.4 mm)
45° Bevel - Left / 0° Miter	1.5" (38.1 mm)	8" (203 mm)
Crown Nested	9/16" x 3–5/8" (14.3 x 92 mm)	
Base molding	5/8" x 3–1/2" (15.8 x 89 mm)	

NOTE: Your saw is capable of cutting the following once a special setup procedure is followed. Refer to **Special Cuts**.

Limits to Bevel Angle	
Maximum Miter Angle	Max Bevel Angle at Which Cut Can Be Completed
48° Left Side	Left Bevel: 40°
48° Right Side	Left Bevel: 42.5°

Limits to Miter Angle	
AT Maximum Bevel Angle	Max Miter Angle at Which Cut Can Be Completed
48° Left Side	Left Miter: 31.6°
	Right Miter: 35°

Familiarization (Fig. A, D)

Your miter saw is fully assembled in the carton. Open the box and lift the saw out either by using the lifting handle **15** or by the hand indentations **10** in the base of the saw (Fig. D).

Place the saw on a smooth, flat surface such as a workbench or strong table.

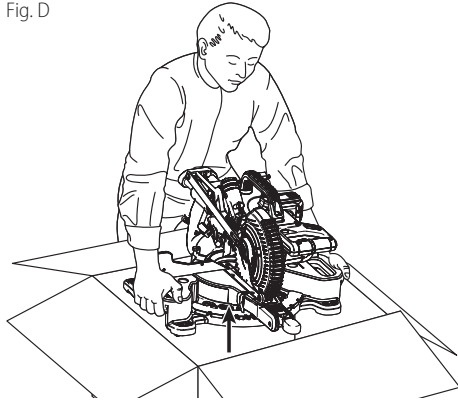
Examine Figure A to become familiar with the saw and its various parts. The section on adjustments will refer to these terms and you must know what and where the parts are.

CAUTION: Pinch hazard. To reduce the risk of injury, keep thumb underneath the operating handle when pulling the handle down. The lower guard will move up as the operating handle is pulled down, which could cause pinching. The operating handle is placed close to the guard for special cuts.

Press down lightly on the operating handle **2** and pull out the lock down pin **23**. Gently release the downward pressure and hold the operating handle, allowing it to rise to its full height.

Use the lock down pin when carrying the saw from one place to another. Always use the hand indentations **10** to transport the saw as seen in Figure A.

Fig. D



Bench Mounting (Fig. A)

Holes 3 are provided in all 4 feet to facilitate bench mounting, as shown in Figure A. (Two different-sized holes are provided to accommodate different sizes of screws. Use either hole, it is not necessary to use both.) Always mount your saw firmly to a stable surface to prevent movement. To enhance the tool's portability, it can be mounted to a piece of 1/2" (12.7 mm) or thicker plywood which can then be clamped to your work support or moved to other job sites and reclamped.

NOTE: If you elect to mount your saw to a piece of plywood, make sure that the mounting screws don't protrude from the bottom of the wood. The plywood must sit flush on the work support. When clamping the saw to any work surface, clamp only on the clamping bosses where the mounting screw holes are located. Clamping at any other point will interfere with the proper operation of the saw.

CAUTION: To prevent binding and inaccuracy, be sure the mounting surface is not warped or otherwise uneven. If the saw rocks on the surface, place a thin piece of material under one saw foot until the saw sits firmly on the mounting surface.

COMPONENTS (FIG. A)

WARNING: Never modify the power tool or any part of it. Damage or personal injury could result.

Refer to Figure A at the beginning of this manual for a complete list of components.

INTENDED USE

This heavy duty miter saw is designed for professional wood cutting applications.

DO NOT use under wet conditions or in presence of flammable liquids or gases.

This miter saw is a professional power tool. **DO NOT** let children come into contact with the tool. Supervision is required when inexperienced operators use this tool.

Changing or Installing a New Saw Blade (Fig. E)

Refer to **Saw Blades** under **Optional Accessories** for correct saw blade.

WARNING: To reduce the risk of serious personal injury, turn tool off and remove the battery pack before transporting, making any adjustments or removing/installing attachments or accessories. An accidental start-up can cause injury.

CAUTION:

- Never depress the spindle lock button 32 while the blade is under power or coasting.
- Do not cut metal, masonry or fiber cement product with this miter saw.

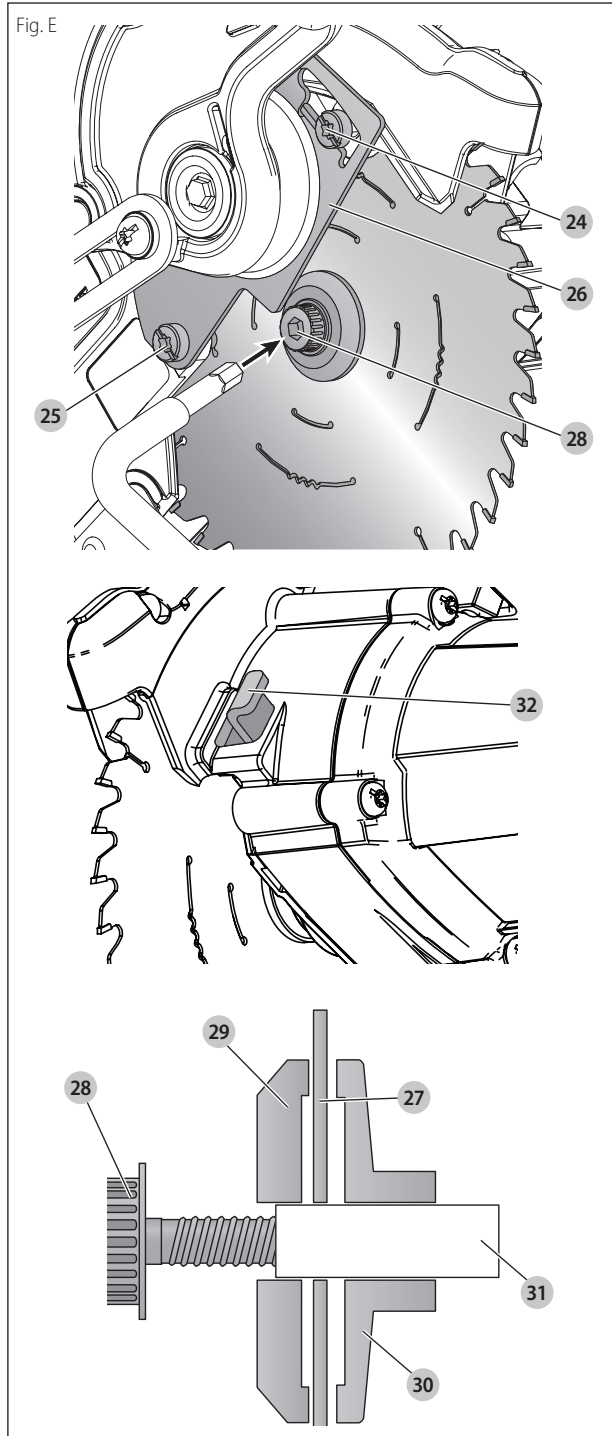
Removing the Blade (Fig. A, E)

- Remove battery pack 16 from the saw.
- Raise the arm to the upper position and raise the lower guard 4 as far as possible.
- Loosen, but do not remove the guard bracket rear screw 25 by four revolutions.
- Loosen, but do not remove the guard bracket front screw 24 (Fig. E) until the bracket 26 can be raised far enough to access the blade screw 28. Lower guard will remain raised due to the position of the guard bracket screw.
- Depress the spindle lock button 32 while carefully rotating the saw blade 27 by hand until the lock engages.
- Keeping the button depressed, use the other hand and the 1/4" hex side of the wrench provided 22 to loosen the blade screw 28. (Turn clockwise, left-hand threads.)
- Remove the blade screw 28 using the 1/4" hex side of the wrench provided, the outer clamp washer 29 and blade 27. The inner clamp washer 30 may be left on the spindle 31.

Installing a Blade (Fig. A, E)

- Remove battery pack 16 from the saw.
- With the arm raised, the lower guard 4 held open and the guard bracket 26 raised, place the blade 27 on the spindle 31 and against the inner blade clamp 30 with the teeth on the blade pointing in the direction of rotation as marked on the saw.
- Assemble the outer clamp washer 29 onto the spindle 31.
- Install the blade screw 28 and, engaging the spindle lock 32, tighten the screw 28 firmly with wrench 22 provided (turn counterclockwise, left-hand threads).

Fig. E



- Return the guard bracket 26 to its original full down position and firmly tighten both guard bracket screws 24 25 to hold bracket in place.

WARNING: The guard bracket must be returned to its original full down position and the guard bracket screws tightened before activating the saw. Failure to do so may prevent the guard from closing or may allow the guard to contact the spinning saw blade resulting in damage to the saw and severe personal injury.

Transporting the Saw (Fig. A)

WARNING: To reduce the risk of serious personal injury, turn tool off and remove the battery pack before transporting, making any adjustments or removing/installing attachments or accessories. An accidental start-up can cause injury.

WARNING: To reduce the risk of serious personal injury, ALWAYS lock the rail lock knob, miter lock handle, bevel lock handle and lock down pin, and remove the battery before transporting saw.

In order to conveniently carry the miter saw from place to place, a lifting handle 15 has been included on the top of the saw arm and hand indentations 10 in the base, as shown in Figure A. Do not lift or carry by the operating handle 2.

FEATURES AND CONTROLS

⚠ WARNING: To reduce the risk of serious personal injury, turn tool off and remove the battery pack before transporting, making any adjustments or removing/installing attachments or accessories. An accidental start-up can cause injury.

Use of CUTLINE LED Worklight System (Fig. A)

⚠ CAUTION: Do not stare into worklight. Serious eye injury could result.

NOTE: The battery must be charged and connected to the miter saw.

The CUTLINE LED Worklight System can be turned on by the momentary switch 17. The light will automatically turn off within 20 seconds if the saw is not in use. The light is also activated automatically every time the tool's main trigger 1 is pulled.

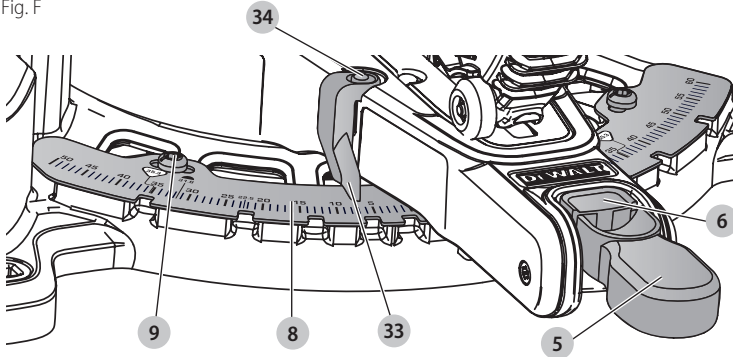
To cut through an existing pencil line on a piece of wood, turn on the CUTLINE worklight system using the momentary switch 17 (not with the main trigger), then pull down on the operating handle 2 to bring the saw blade close to the wood. The shadow of the blade will appear on the wood. This shadow line represents the material that the blade will remove when performing a cut. To correctly locate your cut to the pencil line, align the pencil line with the edge of the blade's shadow. Keep in mind that you may have to adjust the miter or bevel angles in order to match the pencil line exactly.

Your saw is equipped with a battery fault feature. The CUTLINE worklight begins to flash when the battery is near the end of its useful charge, or when the battery is too hot. Charge the battery prior to continuing cutting applications. Refer to **Charging Procedure** under **Important Safety Instructions for All Battery Packs** for battery charging instructions.

Miter Control (Fig. F)

The miter lock knob 5 and miter latch button 6 allow you to miter your saw to 48° right and 48° left. The miter latch will automatically locate at 10°, 15°, 22.5°, 31.62° and 45° both left and right. To miter the saw, unlock the miter lock mechanism by pulling up on the miter lock knob 5. Push the miter latch button 6 down, and set the miter angle desired on the miter scale 8. Lock the miter lock knob by pushing it down.

Fig. F

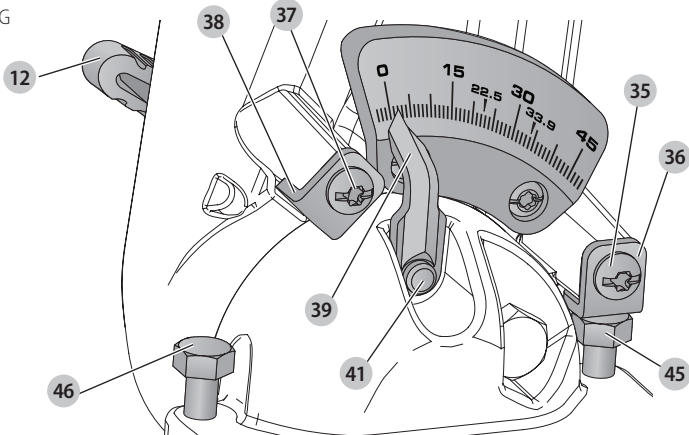


Bevel Lock Knob (Fig. A, G)

The bevel lock allows you to bevel the saw 48° to the left. To adjust the bevel setting, turn the bevel lock knob 12 counterclockwise to loosen. To tighten, turn the bevel lock knob clockwise.

⚠ CAUTION: Pinch hazard. Be sure to tighten bevel lock knob before adjusting overrides.

Fig. G



0° Bevel Stop Override (Fig. G)

The bevel stop override allows you to bevel the saw up to 3° to the right. Loosen the 0° bevel stop override screw 35 until the 0° bevel stop override bracket 36 can freely rotate. Turn the 0° bevel stop override bracket to allow the saw to rotate past the zero bevel position, then retighten the override screw.

45° Bevel Stop Override (Fig. G)

The bevel stop override allows you to bevel the saw up to 48° to the left. Loosen the 45° bevel stop override screw 37 until the 45° stop override bracket 38 can freely rotate. Turn the 45° bevel stop override bracket 38 to allow the saw to rotate past the 45° bevel position, then retighten the override screw.

Rail Lock Knob (Fig. A)

The rail lock knob 20 allows you to lock the saw head firmly to keep it from sliding on the rails. This is necessary when making certain cuts or when transporting the saw.

Lock Down Pin (Fig. A)

⚠ WARNING: The lock down pin should be used only when carrying or storing the saw. NEVER use the lock down pin for any cutting operation.

To lock the saw head in the down position, push the saw head down, push the lock down pin 23 in and release the saw head. This will hold the saw head safely down for moving the saw from place to place. To release, press the saw head down and pull the pin out.

OPERATION

⚠ WARNING: To reduce the risk of serious personal injury, turn tool off and remove the battery pack before transporting, making any adjustments or removing/installing attachments or accessories. An accidental start-up can cause injury.

⚠ WARNING: Always use eye protection. All users and bystanders must wear eye protection that conforms to ANSI Z87.1 (CAN/CSA Z94.3).

⚠ WARNING: To ensure the blade path is clear of obstructions, always make a dry run of the cut without power before making any cuts on the workpiece.

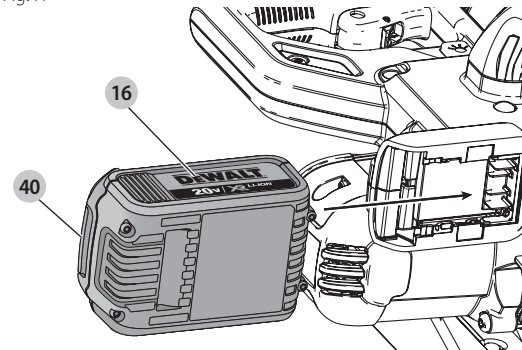
Installing and Removing the Battery Pack (Fig. H)

NOTE: For best results, make sure your battery pack is fully charged.

To install the battery pack 16 into the tool handle, align the battery pack with the rails inside the tool's handle and slide it into the handle until the battery pack is firmly seated in the tool and ensure that it does not disengage.

To remove the battery pack from the tool, press the release button 40 and firmly pull the battery pack out of the tool handle. Insert it into the charger as described in the charger section of this manual.

Fig. H



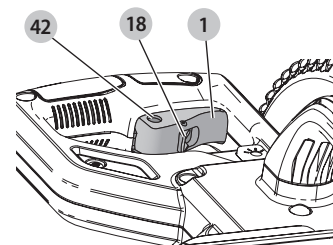
Trigger Switch (Fig. I)

To turn the saw on, push the lock-off lever 18 to the left, then depress the trigger switch 1. The saw will run while the switch is depressed. Allow the blade to spin up to full operating speed before making the cut. To turn the saw off, release the switch. Allow the blade to stop before raising the saw head. There is no provision for locking the switch on. A hole 42 is provided in the trigger for insertion of a padlock to lock the switch off.

Your saw is not equipped with an automatic electric blade brake, but the saw blade should stop within 5 seconds of trigger release. This is not adjustable. If the stop time repeatedly exceeds 5 seconds, have the tool serviced by an authorized DEWALT service center.

Always be sure the blade has stopped before removing it from the kerf.

Fig. I



Dust Extraction (Fig. A, J)

⚠ WARNING: To reduce the risk of serious personal injury, turn tool off and remove the battery pack before transporting, making any adjustments or removing/installing attachments or accessories. An accidental start-up can cause injury.

Your saw has a built-in dust port 14 that allows either the supplied dust bag 43 or a shop vacuum system to be connected.

To Attach the Dust Bag

1. Fit the dust bag 43 to the dust port 14 as shown in Figure J.

To Empty the Dust Bag

1. Remove dust bag 43 from the saw and gently shake or tap the dust bag to empty.
2. Reattach the dust bag back onto the dust port 14.

You may notice that all the dust will not come free from the bag. This will not affect cutting performance but will reduce the saw's dust collection efficiency. To restore your saw's dust collection efficiency, depress the spring inside the dust bag when you are emptying it and tap it on the side of the trash can or dust receptacle.

CAUTION: Never operate this saw unless the dust bag or DEWALT dust extractor is in place. Wood dust may create a breathing hazard.

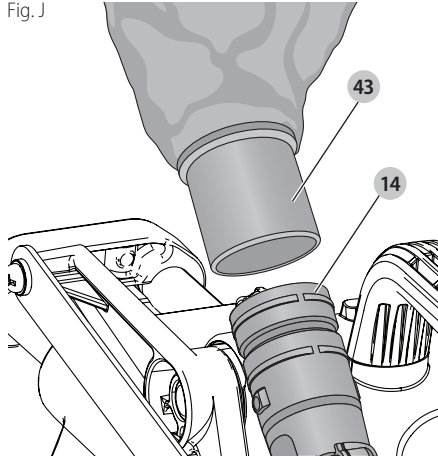


Fig. J

Cutting With Your Saw (Fig. A)

If the slide feature is not used, ensure the saw head is pushed back as far as possible and the rail lock knob 20 is tightened. This will prevent the saw from sliding along its rails as the workpiece is engaged.

NOTE: DO NOT CUT METALS OR MASONRY WITH THIS SAW. Do not use any abrasive blades.

NOTE: Refer to **Guard Actuation and Visibility** in the **Adjustments** section for important information about the lower guard before cutting.

Crosscuts (Fig. A, K)

A crosscut is made by cutting wood across the grain at any angle. A straight crosscut is made with the miter arm at the zero degree position. Set and lock the miter arm at zero, hold the wood firmly on the table and against the fence. With the rail lock knob 20 tightened, turn on the saw by squeezing the trigger switch 1 shown in Figure A.

When the saw comes up to speed (about 1 second) lower the arm smoothly and slowly to cut through the wood. Let the blade come to a full stop before raising arm.

When cutting anything larger than a 2 x 4 (51 x 102), use an out-down-back motion with the rail lock knob 20 loosened. Pull the saw out, toward you, lower the saw head down toward the workpiece, and slowly push the saw back to complete the cut. Do not allow the saw blade to contact the top of the workpiece while pulling out. The saw may run toward you, possibly causing personal injury or damage to the workpiece.

WARNING: Always use a work clamp to maintain control and reduce the risk of workpiece damage and personal injury, if your hands are required to be within 4" (100 mm) of the blade during the cut.

NOTE: The rail lock knob 20 shown in Figure A must be loose to allow the saw to slide along its rails.

Miter crosscuts are made with the miter arm at some angle other than zero. This angle is often 45° for making corners, but can be set anywhere from zero to 48° left or 48° right. Make the cut as described above.

When performing a miter cut on workpieces wider than a 2 x 6 that are shorter in length, always place the longer side against the fence ().

To cut through an existing pencil line on a piece of wood, match the angle as close as possible. Cut the wood a little too long and measure from the pencil line to the cut edge to determine which direction to adjust the miter angle and recut. This will take some practice, but it is a commonly used technique.

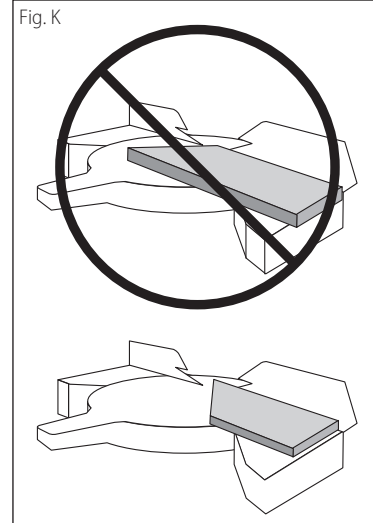


Fig. K

Bevel Cuts (Fig. A)

A bevel cut is a crosscut made with the saw blade leaning at an angle to the wood. In order to set the bevel, loosen the bevel lock knob 12, and move the saw to the left as desired. Once the desired bevel angle has been set, tighten the bevel lock firmly. Refer to the **Features and Controls** section for detailed instructions on the bevel system.

Bevel angles can be set from 3° right to 48° left.

Quality of Cut

The smoothness of any cut depends on a number of variables. Things like material being cut, blade type, blade sharpness and rate of cut all contribute to the quality of the cut.

When smoothest cuts are desired for molding and other precision work, a sharp (60 tooth carbide tip) blade and a slower, even cutting rate will produce the desired results.

Ensure that the material does not move or creep while cutting; clamp it securely in place. Always let the blade come to a full stop before raising arm.

If small fibers of wood still split out at the rear of the workpiece, stick a piece of masking tape on the wood where the cut will be made. Saw through the tape and carefully remove tape when finished.

For varied cutting applications, refer to the list of recommended saw blades for your saw and select the one that best fits your needs. Refer to **Saw Blades** under **Optional Accessories**.

Body and Hand Position (Fig. L1-L4)

Proper positioning of your body and hands when operating the miter saw will make cutting easier, more accurate and safer. Never place hands near cutting area. Place hands no closer than 4" (100 mm) from the blade. Hold the workpiece tightly to the table and the fence when cutting. Keep hands in position until the trigger has been released and the blade has completely stopped. ALWAYS MAKE DRY RUNS (UNPOWERED) BEFORE FINISH CUTS SO THAT YOU CAN CHECK THE PATH OF THE BLADE. DO NOT CROSS HANDS, AS SHOWN IN Figure L3.

Keep both feet firmly on the floor and maintain proper balance. As you move the miter arm left and right, follow it and stand slightly to the side of the saw blade. Sight through the guard louvers when following a pencil line.

Fig. L1

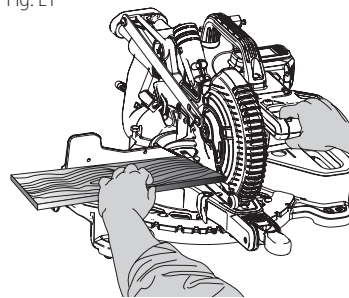


Fig. L2

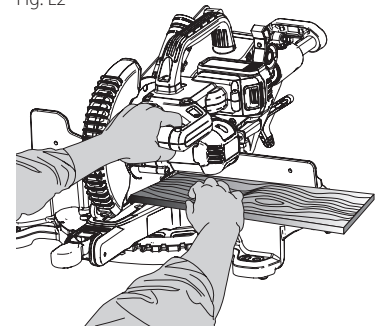


Fig. L3

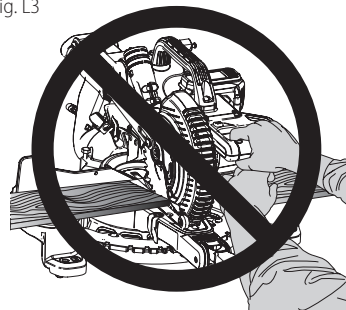
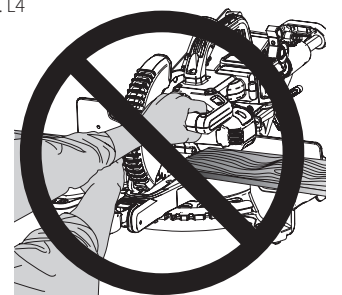


Fig. L4



Clamping the Workpiece

⚠ WARNING: To reduce the risk of serious personal injury, turn tool off and remove the battery pack before transporting, making any adjustments or removing/installing attachments or accessories. An accidental start-up can cause injury.

⚠ WARNING: A workpiece that is clamped, balanced and secure before a cut may become unbalanced after a cut is completed. An unbalanced load may tip the saw or anything the saw is attached to, such as a table or workbench. When making a cut that may become unbalanced, properly support the workpiece and ensure the saw is firmly bolted to a stable surface. Personal injury may occur.

⚠ WARNING: The clamp foot must remain clamped above the base of the saw whenever the clamp is used. Always clamp the workpiece to the base of the saw – not to any other part of the work area. Ensure the clamp foot is not clamped on the edge of the base of the saw.

⚠ WARNING: Always use a work clamp to maintain control and reduce the risk of workpiece damage and personal injury, if your hands are required to be within 4" (100 mm) of the blade during the cut.

If you cannot secure the workpiece on the table and against the fence by hand (irregular shape, etc.), or your hand would be less than 4" (100 mm) from the blade, a clamp or other fixture must be used.

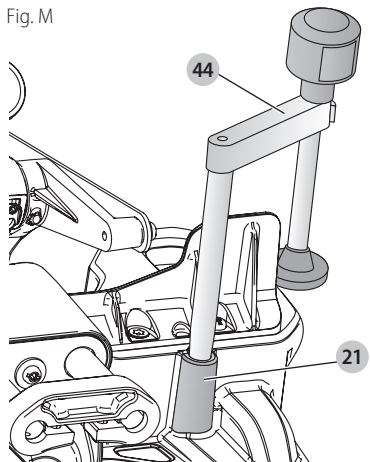
Use the material clamp provided with your saw. To purchase a material clamp, contact your local retailer or DEWALT service center.

Other aids such as spring clamps, bar clamps or C-clamps may be appropriate for certain sizes and shapes of material. Use care in selecting and placing these clamps. Take time to make a dry run before making the cut.

To Install Clamp (Fig. A, M)

1. Insert the clamp **44** into the hole **21** behind the fence. The clamp should be facing toward the back of the miter saw. The groove on the clamp rod should be fully inserted into the base. Ensure this groove is fully inserted into the base of the miter saw. If the groove is visible, the clamp will not be secure.

Fig. M



2. Rotate the clamp 180° toward the front of the miter saw.
3. Loosen the knob to adjust the clamp up or down, then use the fine adjust knob to firmly clamp the workpiece.

NOTE: Place the clamp on the opposite side of the base when beveling. ALWAYS MAKE DRY RUNS (UNPOWERED) BEFORE FINISH CUTS TO CHECK THE PATH OF THE BLADE. ENSURE THE CLAMP DOES NOT INTERFERE WITH THE ACTION OF THE SAW OR GUARDS.

ADJUSTMENTS

⚠ WARNING: To reduce the risk of serious personal injury, turn tool off and remove the battery pack before transporting, making any adjustments or removing/installing attachments or accessories. An accidental start-up can cause injury.

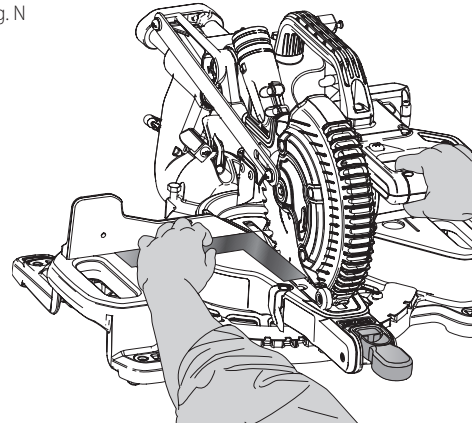
Your miter saw is fully and accurately adjusted at the factory at the time of manufacture. If readjustment due to shipping and handling or any other reason is required, follow the instructions below to adjust your saw.

Once made, these adjustments should remain accurate. Take a little time now to follow these directions carefully to maintain the accuracy of which your saw is capable.

Miter Scale Adjustment (Fig. F, N)

Lock the arm in the down position. Unlock the miter lock knob **5** and swing the miter arm until the miter latch button **6** locks it at the 0° miter position. Do not lock the miter lock knob. Place a square against the saw's fence and blade, as shown. (Do not touch the tips of the blade teeth with the square. To do so will cause an inaccurate measurement.) If the saw blade is not exactly perpendicular to the fence, loosen the three screws **9** that hold the miter scale **8** and move the miter lock handle and the scale left or right until the blade is perpendicular to the fence, as measured with the square. Retighten the three screws. Pay no attention to the reading of the miter pointer at this time.

Fig. N



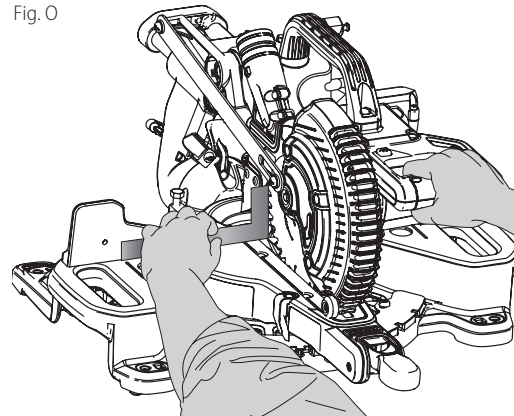
Miter Pointer Adjustment (Fig. F)

Unlock the miter lock mechanism by pulling up on the miter lock knob **5**. Push the miter latch button **6** down and allow the miter latch to snap into place as you rotate the miter arm to zero. Observe the miter pointer **33** and miter scale **8** shown in Figure E. If the pointer does not indicate exactly zero, loosen the miter pointer screw **34** holding the pointer in place, reposition the pointer and tighten the screw.

Bevel Square to Table Adjustment (Fig. A, G, O)

To align the blade square to the table, lock the arm in the down position with the lock down pin **23**. Place a square against the blade, ensuring the square is not on top of a tooth. Loosen the bevel lock knob **12** and ensure the arm is firmly against the 0° bevel stop. Rotate the 0° bevel adjustment screw **45** with the 1/2" (12.7 mm) socket (not provided) as necessary so that the blade is at 0° bevel to the table, as measured with the square.

Fig. O



Bevel Pointer (Fig. G)

If the bevel pointer **39** does not indicate zero, loosen the screw that holds the bevel pointer **41** in place and move it as necessary. Ensure the 0° bevel is correct and the bevel pointer is set before adjusting any other bevel angle screws.

Bevel Stop 45° Left Adjustment (Fig. A, G)

To adjust the left 45° bevel stop, first loosen the bevel lock knob and tilt the head to the left. If the bevel pointer does not indicate exactly 45°, turn the left 45° bevel adjustment screw **46** until the bevel pointer reads 45°.

Guard Actuation and Visibility (Fig. A, W)

⚠ CAUTION: Pinch hazard. To reduce the risk of injury, keep thumb underneath the operating handle when pulling the handle down. The lower guard will move up as the operating handle is pulled down, which could cause pinching.

The lower guard **4** on your saw has been designed to automatically uncover the blade when the arm is brought down and to cover the blade when the arm is raised.

Before each use or after making adjustments, cycle the arm (unpowered) and make sure the guard opens smoothly and closes fully. It should not contact the blade. With the arm up, raise the guard (unpowered) as shown in Figure W and release. The guard should fully close rapidly. Do not operate the saw if the guard does not move freely and fully close rapidly. Never clamp or tie the guard in an open position when operating the saw.

The guard can be raised by hand when installing or removing saw blades or for inspection of the saw. NEVER RAISE THE LOWER GUARD MANUALLY UNLESS THE BLADE IS STOPPED.

NOTE: Certain special cuts of large material will require that you manually raise the guard. Refer to **Cutting Large Material** under *Special Cuts*.

The front section of the guard is louvered for visibility while cutting. Although the louvers dramatically reduce flying debris, they are openings in the guard and safety glasses should be worn at all times.

Rail Guide Adjustment (Fig. A)

Periodically check the rails **13** for any play or clearance. The rails can be cleaned with a dry clean cloth. The right rail can be adjusted with the set screw **19** shown in Figure A. To reduce clearance, use a 4 mm hex wrench and rotate the set screw clockwise gradually while sliding the saw head back and forth. Reduce play while maintaining minimum slide force.

Support for Long Pieces

WARNING: To reduce the risk of serious personal injury, turn tool off and remove the battery pack before transporting, making any adjustments or removing/installing attachments or accessories. An accidental start-up can cause injury.

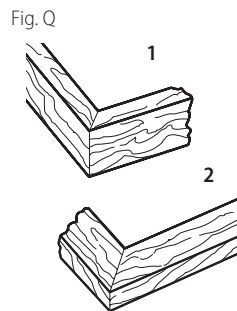
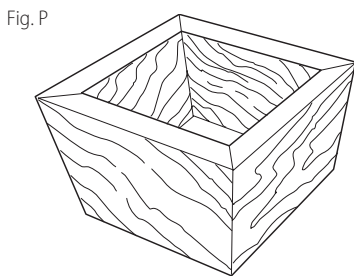
ALWAYS SUPPORT LONG PIECES.

Never use another person as a substitute for a table extension, as additional support for a workpiece that is longer or wider than the basic miter saw table or to help feed, support or pull the workpiece.

Support long workpieces using any convenient means such as sawhorses or similar devices to keep the ends from dropping.

Cutting Picture Frames, Shadow Boxes and Other Four-Sided Projects (Fig. P, Q)

To best understand how to make the items listed here, we suggest that you try a few simple projects using scrap wood until you develop a "feel" for your saw.



Your saw is the perfect tool for mitering corners like the one shown in Figure P. Sketch 1 in Figure Q shows a joint made by using the bevel adjustment to bevel the edges of the two boards at 45° each to produce a 90° corner. For this joint the miter arm was locked in the zero position and the bevel adjustment was locked at 45°. The wood was positioned with the broad flat side against the table and the narrow edge against the fence. The cut could also be made by mitering right and left with the broad surface against the fence.

Cutting Trim Molding and Other Frames (Fig. P, Q)

Sketch 2 in Figure Q shows a joint made by setting the miter arm at 45° to miter the two boards to form a 90° corner. To make this type of joint, set the bevel adjustment to zero and the miter arm to 45°. Once again, position the wood with the broad flat side on the table and the narrow edge against the fence.

Figures P and Q are for four-sided objects only.

As the number of sides changes, so do the miter and bevel angles. The chart below gives the proper angles for a variety of shapes.

– EXAMPLES –

NUMBER OF SIDES	MITER OR BEVEL ANGLE
4	45°
5	36°
6	30°
7	25.7°
8	22.5°
9	20°
10	18°

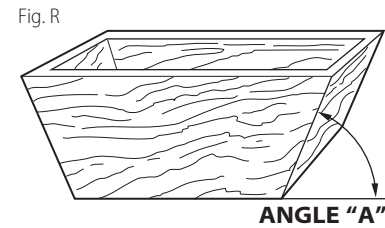
The chart assumes that all sides are of equal length. For a shape that is not shown in the chart, use the following formula: 180° divided by the number of sides equals the miter (if the material is cut vertically) or bevel angle (if the material is cut laying flat).

Cutting Compound Miters (Fig. R)

A compound miter is a cut made using a miter angle and a bevel angle at the same time. This is the type of cut used to make frames or boxes with slanting sides like the one shown in Figure Q.

NOTE: If the cutting angle varies from cut to cut, check that the bevel lock knob and the miter lock handle are securely locked. These must be locked after making any changes in bevel or miter.

The chart at the end of this manual (Table 1) will assist you in selecting the proper bevel and miter settings for common compound miter cuts. To use the chart, select the desired angle A (Fig. R) of your project and locate that angle on the appropriate arc in the chart. From that point follow the chart straight down to find the correct bevel angle and straight across to find the correct miter angle.



Set your saw to the prescribed angles and make a few trial cuts. Practice fitting the cut pieces together until you develop a feel for this procedure and feel comfortable with it.

Example: To make a 4-sided box with 26° exterior angles (Angle A, Fig. R), use the upper right arc. Find 26° on the arc scale. Follow the horizontal intersecting line to either side to get miter angle setting on saw (42°). Likewise, follow the vertical intersecting line to the top or bottom to get the bevel angle setting on the saw (18°). Always try cuts on a few scrap pieces of wood to verify the settings on the saw.

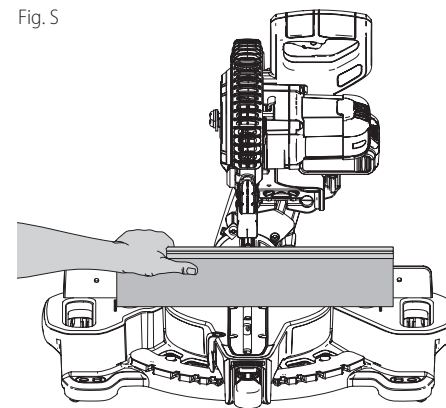
Cutting Base Molding (Fig. S)

Straight 90° cuts:

Position the wood against the fence and hold it in place as shown in Figure S. Turn on the saw, allow the blade to reach full speed and lower the arm smoothly through the cut.

Cutting Base Molding Up to 3.5" (89 mm) High Vertically Against the Fence

Position material as shown in Figure S.



All cuts should be made with the back of the molding against the fence and with the bottom of the molding against the table.

	INSIDE CORNER	OUTSIDE CORNER
Left side	Miter left 45° Save left side of cut	Miter right 45° Save left side of cut
Right side	Miter right 45° Save right side of cut	Miter left 45° Save right side of cut

Material up to 3.5" (89 mm) can be cut as described above.

Cutting Crown Molding

In order to fit properly, crown molding must be compound mitered with extreme accuracy.

The two flat surfaces on a given piece of crown molding are at angles that, when added together, equal exactly 90°. Most, but not all, crown molding has a top rear angle (the section that fits flat against the ceiling) of 52° and a bottom rear angle (the part that fits flat against the wall) of 38°.

Your miter saw has special pre-set miter detent points at 31.6° left and right for cutting crown molding at the proper angle. There is also a mark on the bevel scale at 33.8°.

The **Bevel Setting/Type of Cut** chart gives the proper settings for cutting crown molding. (The numbers for the miter and bevel settings are very precise and are not easy to accurately set on your saw.) Since most rooms do not have angles of precisely 90°, you will have to fine tune your settings anyway.

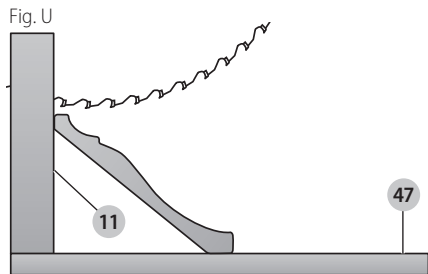
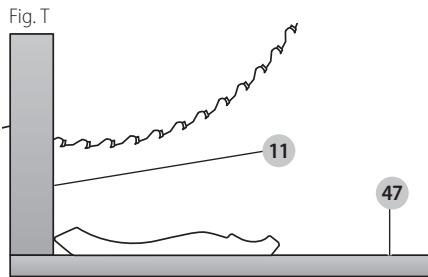
PRETESTING WITH SCRAP MATERIAL IS EXTREMELY IMPORTANT!

Instructions for Cutting Crown Molding Laying Flat and Using the Compound Features

1. Lay the molding with broad back surface down flat on saw table (Fig. T).
2. The settings below are for all Standard (U.S.) crown molding with 52° and 38° angles.

BEVEL SETTING	TYPE OF CUT
33.8°	LEFT SIDE, INSIDE CORNER: 1. Top of molding against fence 2. Miter table set right 31.62° 3. Save left end of cut
	RIGHT SIDE, INSIDE CORNER: 1. Bottom of molding against fence 2. Miter table set left 31.62° 3. Save left end of cut
	LEFT SIDE, OUTSIDE CORNER: 1. Bottom of molding against fence 2. Miter table set left 31.62° 3. Save right end of cut
33.8°	RIGHT SIDE, OUTSIDE CORNER: 1. Top of molding against fence 2. Miter table set right 31.62° 3. Save right end of cut

NOTE: When setting bevel and miter angles for all compound miters, remember that the angles presented for crown moldings are very precise and difficult to set exactly. Since they can easily shift slightly and very few rooms have exactly square corners, **all settings should be tested on scrap molding.**



PRETESTING WITH SCRAP MATERIAL IS EXTREMELY IMPORTANT!

Alternative Method for Cutting Crown Molding

Place the molding at an angle between the fence (11) and the saw table (47), with the top side of the molding on the table and the bottom side of the molding on the fence as shown in Figure U. The advantage to cutting crown molding using this method is that no bevel cut is required. Minute changes in the miter angle can be made without affecting the bevel angle. This way, when corners other than 90° are encountered, the saw can be quickly and easily adjusted for them.

Instructions for Cutting Crown Molding Angled Between the Fence and Base of the Saw for All Cuts

This saw can cut up to 9/16" (14 mm) x 3-5/8" (92 mm) crown molding nested.

1. Angle the molding so the bottom of the molding (part which goes against the wall when installed) is against the fence (11) and the top of the molding is resting on the saw table (47), as shown in Figure T.
2. The angled "flats" on the back of the molding must rest squarely on the fence and saw table.

	INSIDE CORNER	OUTSIDE CORNER
Left side	Miter right at 45° Save right side of cut	Miter left at 45° Save right side of cut
	Miter left at 45° Save left side of cut	Miter right at 45° Save left side of cut

Special Cuts

NEVER MAKE ANY CUT UNLESS THE MATERIAL IS SECURED ON THE TABLE AND AGAINST THE FENCE.

Bowed Material (Fig. U, V)

When cutting bowed material always position it as shown in Figure U and never like that shown in Figure V. Positioning the material incorrectly will cause it to pinch the blade near the completion of the cut.

Fig. U

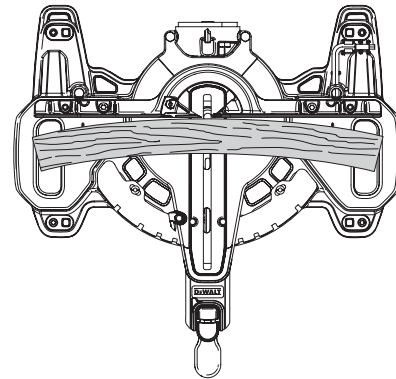
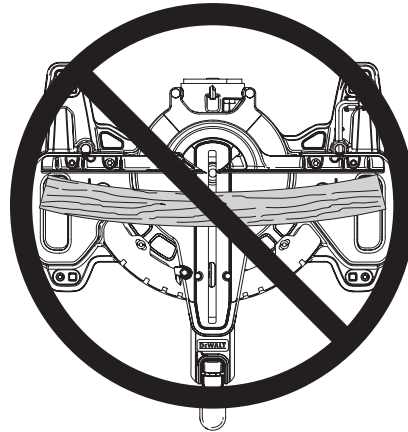


Fig. V



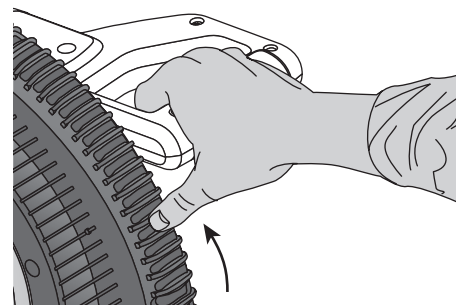
Cutting Round Material

Rounded material should be clamped or held firmly to the fence to keep it from rolling. This is extremely important when making angle cuts.

Cutting Large Material (Fig. W)

Occasionally you will encounter a piece of wood a little too large to fit beneath the lower guard. To clear the guard over the wood, with the saw off and your right hand on the operating handle, place your right thumb outside of the upper portion of the guard and roll the guard up just enough to clear the wood, as shown in Figure W. Release the guard prior to starting the motor. The guard mechanism will function properly during the cut. Only do this when necessary. **NEVER TIE, TAPE, OR OTHERWISE HOLD THE GUARD OPEN WHEN OPERATING THIS SAW.**

Fig. W



MAINTENANCE

⚠ WARNING: To reduce the risk of serious personal injury, turn tool off and remove the battery pack before transporting, making any adjustments or removing/installing attachments or accessories. An accidental start-up can cause injury.

⚠ WARNING: To reduce the risk of serious personal injury, **DO NOT touch the sharp points on the blade with fingers or hands while performing any maintenance.**

DO NOT use lubricants or cleaners (particularly spray or aerosol) in the vicinity of the plastic guard. The polycarbonate material used in the guard is subject to attack by certain chemicals.

- All bearings are sealed. They are lubricated for life and need no further maintenance.

- Periodically clean all dust and wood chips from around AND UNDER the base and the rotary table. Even though slots are provided to allow debris to pass through, some dust will accumulate.
- The brushes are designed to give you several years of use. If they ever need replacement, return the tool to the nearest service center for repair.

Cleaning



WARNING: Blow dirt and dust out of all air vents with clean, dry air at least once a week. To minimize the risk of eye injury, always wear ANSI Z87.1 approved eye protection when performing this.



WARNING: Never use solvents or other harsh chemicals for cleaning the non-metallic parts of the tool. These chemicals may weaken the plastic materials used in these parts. Use a cloth dampened only with water and mild soap. Never let any liquid get inside the tool; never immerse any part of the tool into a liquid.

Dust Duct Cleaning

Depending on your cutting environment, saw dust can clog the dust duct and may prevent dust from flowing away from the cutting area properly. With the battery pack removed and the saw head raised fully, low pressure air or a large diameter dowel rod can be used to clear the dust out of the dust duct.

Accessories



WARNING: Since accessories, other than those offered by DeWALT, have not been tested with this product, use of such accessories with this tool could be hazardous. To reduce the risk of injury, only DeWALT recommended accessories should be used with this product.

Recommended accessories for use with your tool are available at extra cost from your local dealer or authorized service center. If you need assistance in locating any accessory, please contact DeWALT Industrial Tool Co., 701 East Joppa Road, Towson, MD 21286, call 1-800-4-DeWALT (1-800-433-9258) or visit our website: www.dewalt.com.

Repairs

The charger and battery pack are not serviceable.



WARNING: To assure product SAFETY and RELIABILITY, repairs, maintenance and adjustment (including brush inspection and replacement, when applicable) should be performed by a DeWALT factory service center or a DeWALT authorized service center. Always use identical replacement parts.

Register Online

Thank you for your purchase. Register your product now for:

- **WARRANTY SERVICE:** Registering your product will help you obtain more efficient warranty service in case there is a problem with your product.
- **CONFIRMATION OF OWNERSHIP:** In case of an insurance loss, such as fire, flood or theft, your registration of ownership will serve as your proof of purchase.
- **FOR YOUR SAFETY:** Registering your product will allow us to contact you in the unlikely event a safety notification is required under the Federal Consumer Safety Act.

Register online at www.dewalt.com/register.

Three Year Limited Warranty

DeWALT will repair, without charge, any defects due to faulty materials or workmanship for three years from the date of purchase. This warranty does not cover part failure due to normal wear or tool abuse. For further detail of warranty coverage and warranty repair information, visit www.dewalt.com or call 1-800-4-DeWALT (1-800-433-9258). This warranty does not apply to accessories or damage caused where repairs have been made or attempted by others. THIS LIMITED WARRANTY IS GIVEN IN LIEU OF ALL OTHERS, INCLUDING THE IMPLIED WARRANTY OF MERCHANTABILITY AND FITNESS FOR A PARTICULAR PURPOSE, AND EXCLUDES ALL INCIDENTAL OR CONSEQUENTIAL DAMAGES. Some states do not allow limitations on how long an implied warranty lasts or the exclusion or limitation of incidental or consequential damages, so these limitations may not apply to you. This warranty gives you specific legal rights and you may have other rights which vary in certain states or provinces.

In addition to the warranty, DeWALT tools are covered by our:

1 YEAR FREE SERVICE

DeWALT will maintain the tool and replace worn parts caused by normal use, for free, any time during the first year after purchase.

2 YEARS FREE SERVICE ON DEWALT BATTERY PACKS

DC9071, DC9091, DC9096, DC9182, DC9280, DC9360, DCB120, DCB127, DCB201, DCB203, DCB203BT, DCB207, DCB361

3 YEARS FREE SERVICE ON DEWALT BATTERY PACKS

DCB200, DCB204, DCB204BT, DCB205, DCB205BT, DCB206, DCB606, DCB609

NOTE: Battery warranty voided if the battery pack is tampered with in any way. DeWALT is not responsible for any injury caused by tampering and may prosecute warranty fraud to the fullest extent permitted by law.

90 DAY MONEY BACK GUARANTEE

If you are not completely satisfied with the performance of your DeWALT Power Tool, Laser, or Nailer for any reason, you can return it within 90 days from the date of purchase with a receipt for a full refund – no questions asked.

LATIN AMERICA: This warranty does not apply to products sold in Latin America. For products sold in Latin America, see country specific warranty information contained in the packaging, call the local company or see website for warranty information.

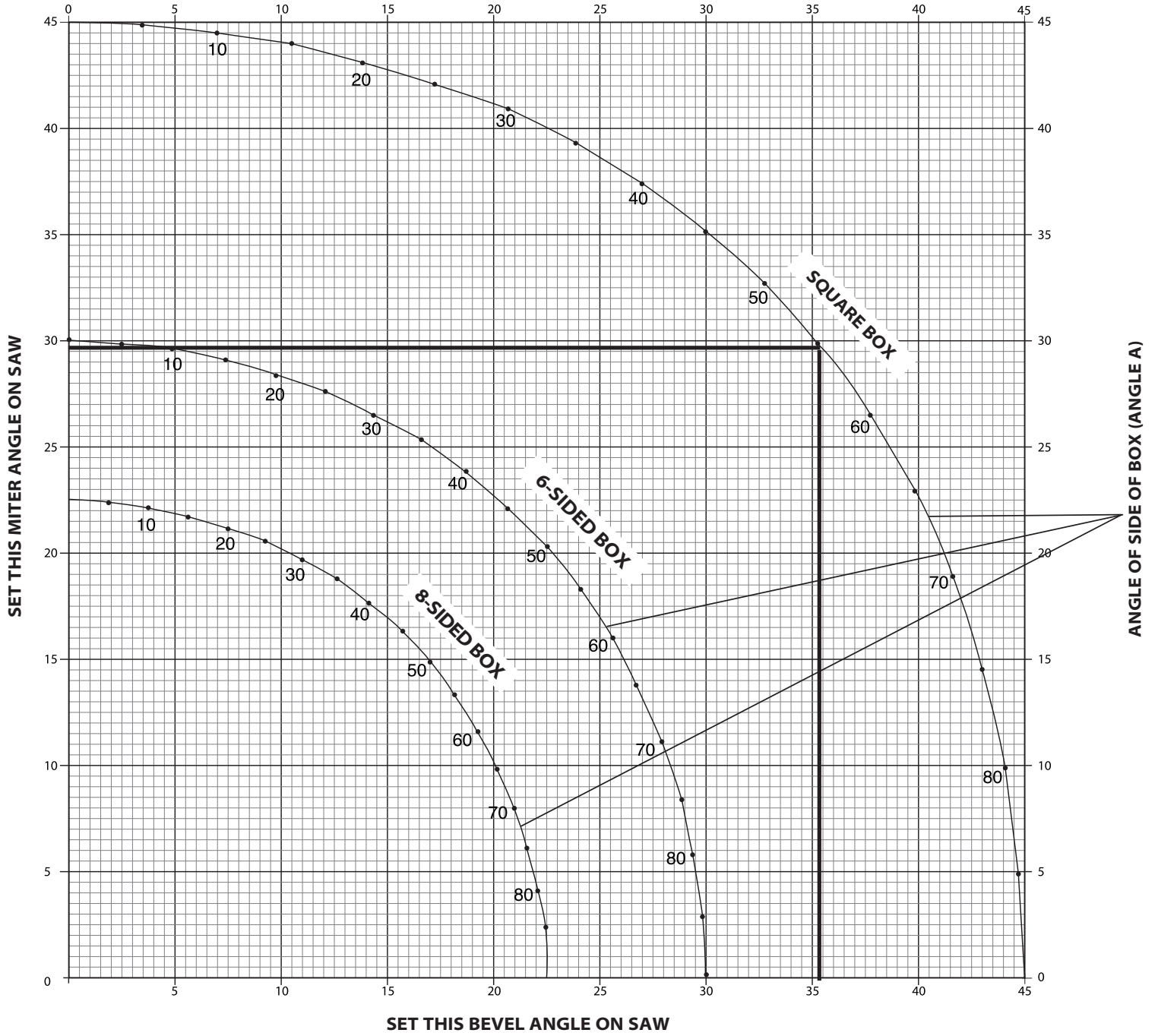
FREE WARNING LABEL REPLACEMENT: If your warning labels become illegible or are missing, call 1-800-4-DeWALT (1-800-433-9258) for a free replacement.

Troubleshooting Guide

BE SURE TO FOLLOW SAFETY RULES AND INSTRUCTIONS

TROUBLE!	WHAT'S WRONG?	WHAT TO DO
Saw will not start	Battery not installed	Install battery. Refer to Installing and Removing Battery Pack .
	Battery not charged	Charge battery. Refer to Charging Procedure .
	Brushes worn out	Have brushes replaced by authorized service center.
Saw makes unsatisfactory cuts	Dull blade	Replace blade. Refer to Changing or Installing a New Saw Blade .
	Blade mounted backwards	Turn blade around. Refer to Changing or Installing a New Saw Blade .
	Gum or pitch on blade	Remove blade and clean with coarse steel wool and turpentine or household oven cleaner.
	Incorrect blade for work being done	Change the blade type. Refer to Saw Blades under Optional Accessories .
CUTLINE worklight is flashing	Battery not charged	Charge battery. Refer to Charging Procedure .
Machine vibrates excessively	Saw not mounted securely to stand or work bench	Tighten all mounting hardware. Refer to Bench Mounting .
	Stand or bench on uneven floor	Reposition on flat level surface. Refer to Familiarization .
	Damaged saw blade	Replace blade. Refer to Changing or Installing a New Saw Blade .
Does not make accurate miter cuts	Miter scale not adjusted correctly	Check and adjust. Refer to Miter Scale Adjustment under Adjustments .
	Blade is not square to fence	Check and adjust. Refer to Miter Scale Adjustment under Adjustments .
	Blade is not perpendicular to table	Check and adjust fence. Refer to Bevel Square to Table Adjustment under Adjustments .
	Workpiece moving	Clamp workpiece securely to fence or glue 120 grit sandpaper to fence with rubber cement.
	Kerf plate worn or damaged	Take to authorized service center.
Material pinches blade	Cutting bowed material	Refer to Bowed Material under Special Cuts .

TABLE 1: COMPOUND MITER CUT
(POSITION WOOD WITH BROAD FLAT SIDE ON THE TABLE AND THE NARROW EDGE AGAINST THE FENCE)



Définitions : symboles et termes d'alarmes sécurité

Ces guides d'utilisation utilisent les symboles et termes d'alarmes sécurité suivants pour vous prévenir de situations dangereuses et de risques de dommages corporels ou matériels.

⚠ DANGER : indique une situation dangereuse imminente qui, si elle n'est pas évitée, **entraînera la mort ou des blessures graves.**

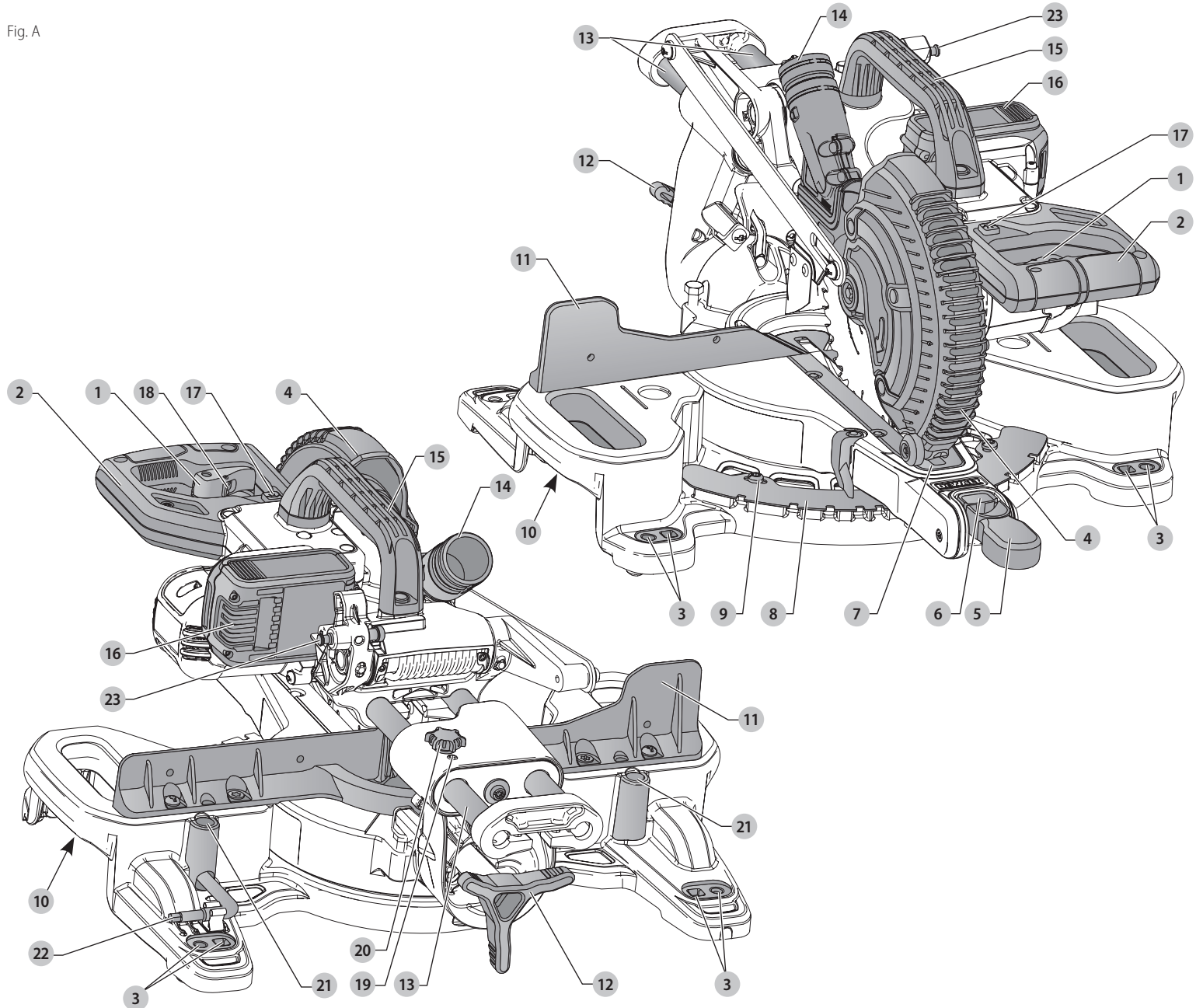
⚠ AVERTISSEMENT : indique une situation potentiellement dangereuse qui, si elle n'est pas évitée, **pourrait entraîner la mort ou des blessures graves.**

⚠ ATTENTION : indique une situation potentiellement dangereuse qui, si elle n'est pas évitée, **pourrait entraîner des blessures légères ou modérées.**

⚠ (Si utilisé sans aucun terme) Indique un message propre à la sécurité.

AVIS : indique une pratique ne posant **aucun risque de dommages corporels** mais qui par contre, si rien n'est fait pour l'éviter, **pourrait poser des risques de dommages matériels.**

Fig. A



- | | |
|--------------------------------------|--|
| 1 Gâchette | 13 Rails |
| 2 Poignée d'utilisation | 14 Buse de dépoussiérage |
| 3 Orifices d'installation | 15 Poignée de levage |
| 4 Carter inférieur | 16 Bloc-piles |
| 5 Manette de verrouillage d'onglet | 17 Interrupteur à rappel de lampe de travail CUTLINE |
| 6 Bouton de verrouillage d'onglet | 18 Levier de verrouillage |
| 7 Plaque de trait | 19 Vis de réglage de rail |
| 8 Échelle d'onglet | 20 Molette de verrouillage de rail |
| 9 Vis de l'échelle d'onglet | 21 Trou de montage de fixation |
| 10 Indentations de prise | 22 Clé pour lame |
| 11 Guide | 23 Goupille de blocage |
| 12 Molette de verrouillage de biseau | |

⚠ AVERTISSEMENT! lire tous les avertissements de sécurité et toutes les directives. Le non-respect des avertissements et des directives pourrait se solder par un choc électrique, un incendie et/ou une blessure grave.

⚠ AVERTISSEMENT : afin de réduire le risque de blessures, lire le mode d'emploi de l'outil.

Pour toute question ou remarque au sujet de cet outil ou de tout autre outil DEWALT, composez le numéro sans frais : 1-800-4-DEWALT (1-800-433-9258).

AVERTISSEMENTS DE SÉCURITÉ GÉNÉRAUX POUR LES OUTILS ÉLECTRIQUES

! **AVERTISSEMENT!** lire tous les avertissements de sécurité et toutes les directives. Le non-respect des avertissements et des directives pourrait se solder par un choc électrique, un incendie et/ou une blessure grave.

CONSERVER TOUS LES AVERTISSEMENTS ET TOUTES LES DIRECTIVES POUR UN USAGE ULTÉRIEUR

Le terme « outil électrique » cité dans les avertissements se rapporte à votre outil électrique à alimentation sur secteur (avec fil) ou par piles (sans fil).

1) Sécurité du lieu de travail

- a) **Tenir l'aire de travail propre et bien éclairée.** Les lieux encombrés ou sombres sont propices aux accidents.
- b) **Ne pas faire fonctionner d'outils électriques dans un milieu déflagrant, tel qu'en présence de liquides, de gaz ou de poussières inflammables.** Les outils électriques produisent des étincelles qui pourraient enflammer la poussière ou les vapeurs.
- c) **Éloigner les enfants et les personnes à proximité pendant l'utilisation d'un outil électrique.** Une distraction pourrait en faire perdre la maîtrise à l'utilisateur.

2) Sécurité en matière d'électricité

- a) **Les fiches des outils électriques doivent correspondre à la prise. Ne jamais modifier la fiche d'aucune façon. Ne jamais utiliser de fiche d'adaptation avec un outil électrique mis à la terre.** Le risque de choc électrique sera réduit par l'utilisation de fiches non modifiées correspondant à la prise.
- b) **Éviter tout contact physique avec des surfaces mises à la terre comme des tuyaux, des radiateurs, des cuisinières et des réfrigérateurs.** Le risque de choc électrique est plus élevé si votre corps est mis à la terre.
- c) **Ne pas exposer les outils électriques à la pluie ou à l'humidité.** La pénétration de l'eau dans un outil électrique augmente le risque de choc électrique.
- d) **Ne pas utiliser le cordon de façon abusive. Ne jamais utiliser le cordon pour transporter, tirer ou débrancher un outil électrique. Tenir le cordon éloigné de la chaleur, de l'huile, des bords tranchants et des pièces mobiles.** Les cordons endommagés ou enchevêtrés augmentent les risques de choc électrique.
- e) **Pour l'utilisation d'un outil électrique à l'extérieur, se servir d'une rallonge convenant à cette application.** L'utilisation d'une rallonge conçue pour l'extérieur réduira les risques de choc électrique.
- f) **S'il est impossible d'éviter l'utilisation d'un outil électrique dans un endroit humide, brancher l'outil dans une prise ou sur un circuit d'alimentation dotés d'un disjoncteur de fuite à la terre (GFCI).** L'utilisation de ce type de disjoncteur réduit les risques de choc électrique.

3) Sécurité personnelle

- a) **Être vigilant, surveiller le travail effectué et faire preuve de jugement lorsqu'un outil électrique est utilisé. Ne pas utiliser d'outil électrique en cas de fatigue ou sous l'influence de drogues, d'alcool ou de médicaments.** Un simple moment d'inattention en utilisant un outil électrique peut entraîner des blessures corporelles graves.
- b) **Utiliser des équipements de protection individuelle. Toujours porter une protection oculaire.** L'utilisation d'équipements de protection comme un masque antipoussière, des chaussures antidérapantes, un casque de sécurité ou des protecteurs auditifs lorsque la situation le requiert réduira les risques de blessures corporelles.
- c) **Empêcher les démarrages intempestifs. S'assurer que l'interrupteur se trouve à la position d'arrêt avant de relier l'outil à une source d'alimentation et/ou d'insérer un bloc-piles, de ramasser ou de transporter l'outil.** Transporter un outil électrique alors que le doigt repose sur l'interrupteur ou brancher un outil électrique dont l'interrupteur est à la position de marche risque de provoquer un accident.
- d) **Retirer toute clé de réglage ou clé avant de démarrer l'outil.** Une clé ou une clé de réglage attachée à une partie pivotante de l'outil électrique peut provoquer des blessures corporelles.
- e) **Ne pas trop tendre les bras. Conserver son équilibre en tout temps.** Cela permet de mieux maîtriser l'outil électrique dans les situations imprévues.
- f) **S'habiller de manière appropriée. Ne pas porter de vêtements amples ni de bijoux. Garder les cheveux, les vêtements et les gants à l'écart des pièces mobiles.** Les vêtements amples, les bijoux ou les cheveux longs risquent de rester coincés dans les pièces mobiles.
- g) **Si des composants sont fournis pour le raccordement de dispositifs de dépoussiérage et de ramassage, s'assurer que ceux-ci sont bien raccordés et utilisés.** L'utilisation d'un dispositif de dépoussiérage peut réduire les dangers engendrés par les poussières.
- h) **Ne pas laisser la familiarisation gagnée par l'utilisation fréquente des outils vous amener à la négligence et à ignorer les principes de sécurité liés à l'outil.** Une imprudence pourrait causer des dommages corporels graves en une fraction de seconde.

4) Utilisation et entretien d'un outil électrique

- a) **Ne pas forcer un outil électrique. Utiliser l'outil électrique approprié à l'application.** L'outil électrique approprié effectuera un meilleur travail, de façon plus sûre et à la vitesse pour laquelle il a été conçu.

- b) **Ne pas utiliser un outil électrique dont l'interrupteur est défectueux.** Tout outil électrique dont l'interrupteur est défectueux est dangereux et doit être réparé.
- c) **Débrancher la fiche de la source d'alimentation et/ou du bloc-piles de l'outil électrique avant de faire tout réglage ou changement d'accessoire ou avant de ranger l'outil.** Ces mesures préventives réduisent les risques de démarrage accidentel de l'outil électrique.
- d) **Ranger les outils électriques hors de la portée des enfants et ne permettre à aucune personne n'étant pas familière avec un outil électrique ou son mode d'emploi d'utiliser cet outil.** Les outils électriques deviennent dangereux entre les mains d'utilisateurs inexpérimentés.
- e) **Entretien des outils électriques. Vérifier si les pièces mobiles sont mal alignées ou coincées, si des pièces sont brisées ou présentent toute autre condition susceptible de nuire au bon fonctionnement de l'outil électrique. En cas de dommage, faire réparer l'outil électrique avant toute nouvelle utilisation.** Beaucoup d'accidents sont causés par des outils électriques mal entretenus.
- f) **S'assurer que les outils de coupe sont aiguisés et propres.** Les outils de coupe bien entretenus et affûtés sont moins susceptibles de se coincer et sont plus faciles à maîtriser.
- g) **Utiliser l'outil électrique, les accessoires, les forets, etc. conformément aux présentes directives en tenant compte des conditions de travail et du travail à effectuer.** L'utilisation d'un outil électrique pour toute opération autre que celle pour laquelle il a été conçu est dangereuse.
- h) **Gardez vos mains et les surfaces de prise sèches, propres et libres de graisse et de poussière.** Les mains et les surfaces de prise glissantes ne permettent pas la manutention et le contrôle sécuritaires de l'outil dans les situations imprévues.

5) Utilisation et entretien du bloc-piles

- a) **Ne recharger l'outil qu'au moyen du chargeur précisé par le fabricant.** L'utilisation d'un chargeur qui convient à un type de bloc-piles risque de provoquer un incendie s'il est utilisé avec un autre type de bloc-piles.
- b) **Utiliser les outils électriques uniquement avec les bloc-piles conçus à cet effet.** L'utilisation de tout autre bloc-piles risque de causer des blessures ou un incendie.
- c) **Lorsque le bloc-piles n'est pas utilisé, le tenir éloigné des objets métalliques, notamment des trombones, de la monnaie, des clés, des clous, des vis ou autres petits objets métalliques qui peuvent établir une connexion entre les deux bornes.** Le court-circuit des bornes du bloc-piles risque de provoquer des brûlures ou un incendie.
- d) **En cas d'utilisation abusive, le liquide peut gicler hors du bloc-piles; éviter tout contact avec ce liquide. Si un contact accidentel se produit, laver à grande eau. Si le liquide entre en contact avec les yeux, obtenir également des soins médicaux.** Le liquide qui gicle hors du bloc-piles peut provoquer des irritations ou des brûlures.
- e) **Ne pas utiliser un bloc-piles ou un outil endommagé ou modifié.** Un bloc-piles endommagé ou modifié pourrait se comporter de façon imprévisible et poser des risques d'incendie, d'explosion ou de dommages corporels.
- f) **Ne pas exposer un bloc-piles ou un outil au feu, ou à des températures excessives.** Toute exposition au feu ou à des températures supérieures à 130 °C pose des risques d'explosion.
- g) **Suivre toutes les instructions de chargement et ne pas recharger un bloc-piles ou un outil hors des températures d'emploi spécifiées dans les directives.** Un chargement incorrect ou à des températures hors des plages spécifiées pourrait endommager le bloc-piles et augmenter les risques d'incendie.

6) Réparation

- a) **Faire réparer l'outil électrique par un réparateur professionnel en n'utilisant que des pièces de rechange identiques.** Cela permettra de maintenir une utilisation sécuritaire de l'outil électrique.

Consignes de sécurité propres aux scies à onglet

- **Les scies à onglet ont été conçues pour découper le bois ou des produits similaires. Elles ne peuvent être utilisées avec des meules à tronçonner pour découper des matériaux ferreux tels barres, tiges, montants, etc.** Les poussières abrasives pourront enrayer les pièces mobiles comme le carter inférieur. Les étincelles provenant de la découpe abrasive pourront brûler le carter inférieur, la plaque du trait de scie ou toute autre pièce en plastique.
- **Utiliser des serre-joints pour soutenir la pièce à travailler chaque fois que possible. Pour soutenir la pièce manuellement, maintenir systématiquement la main à au moins 100 mm de chaque côté de la lame. Ne pas utiliser cette scie pour couper des pièces trop petites pour être arrimées ou tenues manuellement de façon sécuritaire.** Si la main s'approche trop près de la lame, les risques de dommages corporels par contact avec la lame augmentent.
- **La pièce à travailler doit être fixe et bien arrimée, ou maintenue, contre le guide et la table. Ne jamais alimenter la pièce à travailler vers la lame ou couper à main levée.** Une pièce non maintenue ou mobile pourrait être éjectée à grande vitesse et causer des dommages corporels.
- **Poussez la scie au travers de la pièce à travailler. Ne pas tirer la scie au travers de la pièce à travailler. Pour effectuer une coupe, lever la tête de scie puis la positionner au-dessus de la pièce sans couper, mettre le moteur en marche, abaisser la tête de scie et pousser la scie au travers de la pièce.** Découper en tirant la scie pourra faire que la lame saute la pièce à travailler et que le dispositif de lame soit violemment rejeté sur l'utilisateur.

- **Ne jamais laisser la main traverser la ligne de coupe, que ce soit devant ou derrière la lame.** Le fait de maintenir la pièce en croisant les bras (la maintenir du côté droit de la scie avec la main gauche, ou inversement) est extrêmement dangereux.
- **Ne pas envoyer les mains derrière le guide à moins de 100 mm de chaque côté de la lame, pour retirer un débris, ou pour toute autre raison, alors que la lame tourne.** La proximité de la lame en mouvement avec la main pourrait ne pas être évidente et poser des risques de dommages corporels graves.
- **Vérifier la pièce avant la coupe. Si la pièce est gauchie ou voilée, l'arrimer avec la courbe externe orientée vers le guide. S'assurer systématiquement qu'il n'y a aucun espace entre la pièce, le guide et la table le long de la ligne de coupe.** Les pièces gauchies ou voilées peuvent se tordre ou bouger et causer un grippage au niveau de la lame en mouvement pendant la coupe. La pièce devrait être exempte de clous ou de tout autre objet étranger.
- **Ne pas utiliser la scie tant que la table ne sera pas débarrassée de tout outil, débris de bois, etc., autre que la pièce à travailler.** Les petits débris, morceaux de bois, ou autres objets qui entreraient en contact avec la scie en mouvement pourraient être éjectés violemment.
- **Couper une pièce à la fois.** Les pièces mises les unes sur les autres ne peuvent être arrimées de façon adéquate et pourraient rester coincées dans la lame ou bouger pendant la coupe.
- **S'assurer que la scie à onglet est montée ou installée sur une surface plane et ferme avant son utilisation.** Une surface plane et ferme réduit les risques d'instabilité de la scie à onglet.
- **Planifier le travail. À chaque changement de réglage d'angle de biseau ou d'onglet, vérifier que le guide n'interférera pas avec la lame et le dispositif de protection.** Alors que l'outil n'est pas en "MARCHÉ" et qu'aucune pièce ne se trouve sur la table, déplacer la lame tout du long pour simuler une coupe complète pour s'assurer qu'il n'y aura aucune interférence ou risque de couper le guide.
- **Offrir un soutien adéquat, tel que rallonges de table, chevalets, etc., pour toute pièce plus longue ou plus large que la table de l'établi.** Les pièces plus longues ou plus larges que la table de scie à onglet pourraient tomber si elles ne sont pas soigneusement soutenues. Si c'était le cas, aussi bien pour la pièce ou la découpe, elles pourraient soulever le carter inférieur ou être rejetées par la lame en mouvement.
- **Ne pas utiliser un autre individu comme substitut à une rallonge ou à un support additionnel.** Le soutien instable de la pièce pourra gripper la lame ou faire bouger la pièce pendant la découpe, et attirer l'utilisateur et son aide vers la lame en mouvement.
- **La découpe ne doit pas être coincée ou appuyée en aucune façon contre la lame en mouvement.** Si elle était coincée (à l'aide de butées longitudinales), la découpe pourrait être bloquée contre la lame et rejetée violemment.
- **Utiliser systématiquement un serre-joint ou un dispositif de fixation pour soutenir correctement des matériaux arrondis comme les barreaux ou la tubulure.** Les barreaux ont tendance à rouler pendant la coupe, gripper la lame et attirer la pièce et la main vers la lame.
- **Laisser la lame tourner à plein régime avant de la mettre en contact avec la pièce.** Cela réduira les risques que la pièce soit éjectée.
- **Si la pièce ou la lame se grippait, arrêter la scie à onglet. Attendre l'arrêt complet de toutes les pièces mobiles, déconnecter l'outil du secteur et/ou retirer le bloc-piles. Et alors seulement, libérer le matériau coincé.** Le fait de continuer à scier alors que la pièce est grippée pourra causer la perte de contrôle de la scie à onglet et l'endommager.
- **Une fois la coupe terminée, relâchez l'interrupteur, maintenir la tête de scie abaissée et attendre l'arrêt complet de la lame avant de retirer la découpe.** Approcher la main d'une lame au ralenti est dangereux.
- **Maintenir fermement la poignée pour effectuer une coupe partielle ou pour libérer l'interrupteur alors que la tête de scie n'est pas encore complètement abaissée.** Le freinage de la scie pourrait abaisser soudainement la tête de scie, et poser des risques de dommages corporels.
- **NE PAS UTILISER LA SCIE SUR TOUTE AUTRE TENSION AUTRE QUE CELLE SPÉCIFIÉE.** Surchauffe, dommages à l'outil et dommages corporels pourraient survenir.
- **NE RIEN BLOQUER CONTRE LE VENTILATEUR** pour maintenir l'arbre de moteur. Des dommages à l'outil et dommages corporels pourraient survenir.
- **NE JAMAIS COUPER DES MÉTAUX** ou de la maçonnerie. Ce genre de coupes pourrait faire éclater les pointes au carbure de la lame et les projeter violemment posant des risques de dommages corporels graves.
- **NE JAMAIS LAISSER AUCUNE PARTIE DU CORPS ENTRER DANS LE SILLAGE DE LA LAME SCIE,** car cela pose des risques de dommages corporels.
- **NE JAMAIS APPLIQUER DE LUBRIFIANT À LAMES SUR UNE LAME EN MOUVEMENT.** Lors de l'application du lubrifiant, les mains pourraient rencontrer la lame et provoquer des dommages corporels graves.
- **NE PAS** approcher les mains de la lame lorsque la scie est branchée sur une source d'alimentation. L'activation accidentelle de la lame pose des risques de dommages corporels graves.
- **NE JAMAIS APPROCHER LES MAINS DE LA LAME, NI AUTOUR NI DERRIÈRE.** Une lame peut causer des dommages corporels graves.
- **NE PAS PASSER LES MAINS SOUS LA SCIE** à moins qu'elle ne soit à l'arrêt et débranchée. Tout contact avec la lame de scie pose des risques de dommages corporels.
- **ARRIMER SOIGNEUSEMENT LA MACHINE À UN SUPPORT STABLE.** Les vibrations pourraient faire glisser la machine, ou bouger ou basculer, posant des risques de dommages corporels graves.
- **UTILISER UNIQUEMENT DES LAMES DE SCIE À COUPE TRANSVERSALE** recommandées pour scies à onglet. Pour optimiser les résultats, ne pas utiliser de lames à pointes de carbure avec un angle d'attaque supérieur à 7 degrés. Ne pas utiliser des lames à creux de dent profonds. Elles pourraient changer de course et toucher le carter, et poser des risques de dommages matériels et/ou corporels graves.
- **UTILISER UNIQUEMENT DES LAMES DE LA TAILLE ET DU TYPE CORRECTS** indiqués pour cet outil pour prévenir tout dommage matériel et/ou corporel grave.
- **VÉRIFIER QUE LES LAMES NE COMPORTENT AUCUNE FISSURE** ni aucun autre dommage avant chaque utilisation. Une lame fissurée ou endommagée peut se casser et des morceaux pourraient être éjectés violemment, et causer des dommages corporels graves. Changer immédiatement toute lame fissurée ou endommagée.
- **NETTOYER LA LAME ET LES SERRE-LAMES** avant chaque utilisation. Leur nettoyage permettra de vérifier qu'ils ne comportent aucun dommage. Une lame ou un serre-lame fissuré ou endommagé peut se casser et des morceaux pourraient être éjectés violemment, et causer des dommages corporels graves.
- **NE PAS UTILISER DE LAMES VOILÉES.** Vérifier que la lame tourne correctement et sans vibration. Une lame qui vibre pose des risques de dommages matériels et corporels graves.
- **NE PAS** utiliser de lubrifiant ou de nettoyant (particulièrement en vaporisateur ou en aérosol) à proximité du carter en plastique. Le matériau en polycarbonate utilisé pour le carter peut être attaqué par certains produits chimiques.
- **MAINTENIR LES DISPOSITIFS DE PROTECTION EN PLACE** et en bon état de marche.
- **UTILISER SYSTÉMATIQUEMENT LA PLAQUE DE TRAIT ET LA REMPLACER SI ELLE EST ENDOMMAGÉE.** De petits débris s'accumulant sous la scie pourraient interférer avec la lame de scie et causer l'instabilité de la pièce lors de la coupe.
- **UTILISER UNIQUEMENT LES SERRE-LAMES RECOMMANDÉS POUR CET OUTIL** pour prévenir tout dommage matériel et/ou corporel grave.
- **ÉLIMINER DES ORIFICES D'AÉRATION DU MOTEUR** tout débris ou sciure. Des orifices d'aération bouchés pourraient causer la surchauffe de la machine et l'endommager. Cela pourrait aussi provoquer un court-circuit qui poserait des risques de dommages corporels graves.
- **NE JAMAIS VERROUILLER L'INTERRUPTEUR EN POSITION DE MARCHÉ (ON),** car cela pose des risques de dommages corporels graves.
- **NE JAMAIS MONTER SUR L'OUTIL.** De sérieux dommages corporels pourraient en résulter si l'outil basculait ou en cas de contact involontaire avec l'organe de coupe.
- **DES INFORMATIONS COMPLÉMENTAIRES** sur la sécurité et l'utilisation correcte des outils électriques (ex. : vidéo sécurité) sont à votre disposition auprès du Power Tool Institute (l'Institut des outils électriques), 1300 Sumner Avenue, Cleveland, OH 44115-2851 (www.powertoolinstitute.com). Des informations sont aussi à votre disposition auprès du National Safety Council (Conseil National de la Sécurité), 1121 Spring Lake Drive, Itasca, IL 60143-3201. Se reporter aux standards de l'institut : American National Standards Institute ANSI 01.1, Directives de sécurité pour les machines à bois et à la réglementation OSHA 1910.213 du Ministère du travail américain.

Règles de sécurité additionnelles relatives aux scies à onglet

- **AVERTISSEMENT :** ne pas insérer le bloc-piles dans l'outil tant que l'ensemble des instructions n'a pas été lu et compris.
- **NE JAMAIS PLACER LES MAINS PLUS DE 4 PO (100 mm) DE LA LAME.**
- **NE PAS UTILISER CETTE MACHINE** tant qu'elle n'est pas complètement assemblée et installée, conformément aux instructions données. Une machine incorrectement assemblée pose des risques de dommages corporels graves.
- **DEMANDER CONSEIL** à un supérieur, un instructeur, ou à toute autre personne qualifiée, si l'on n'est pas complètement familier avec l'utilisation de cette machine. Le savoir est source de sécurité.
- **SE CONFORMER AUX NORMES DU CODE EN MATIÈRE DE CÂBLAGE** et connexions électriques pour prévenir tout risque de décharges électriques ou d'électrocution. Protéger la ligne électrique avec un fusible temporisé d'au moins 15 ampères ou un disjoncteur.
- **S'ASSURER QUE** la lame tourne dans le bon sens. Les dents de la lame devraient pointer dans le sens de rotation indiqué sur la scie.
- **RESSERRER TOUS LES LEVIERS DE VERROUILLAGE**, boutons et autres leviers avant toute utilisation. Les dispositifs de fixation lâches posent des risques d'éjection rapide et violente de la pièce à travailler.
- **S'ASSURER** que l'ensemble lame et serre-lames est propre, que les côtés encastrés des serre-lames se trouvent contre la lame et que la vis de l'arbre est resserrée soigneusement. Une lame mal ou incorrectement arrimée pose des risques de dommages matériels et corporels.

AVERTISSEMENT : le fait de découper des plastiques, du bois enduit de sève ou autres matériaux pouvant causer l'accumulation de matériaux fondus sur les pointes de lame et le corps de lame, augmente les risques de surchauffe et de grippage lors de la coupe.

AVERTISSEMENT : porter **SYSTÉMATIQUEMENT** des lunettes de protection. Les lunettes courantes NE sont PAS des lunettes de protection. Utiliser aussi un masque antipoussières si la découpe doit en produire beaucoup. **PORTER SYSTÉMATIQUEMENT UN ÉQUIPEMENT DE SÉCURITÉ HOMOLOGUÉ :**

- Protection oculaire ANSI Z87.1 (CAN/CSA Z94.3) ;
- Protection auditive ANSI S12.6 (S3.19) ;
- Protection des voies respiratoires NIOSH/OSHA/MSHA.

AVERTISSEMENT : les scies, meules, ponceuses, perceuses ou autres outils de construction peuvent produire des poussières contenant des produits chimiques reconnus par l'État californien pour causer cancers, malformations congénitales ou être nocifs au système reproducteur. Parmi ces produits chimiques, on retrouve :

- Le plomb dans les peintures à base de plomb ;
- La silice cristallisée dans les briques et le ciment, ou autres produits de maçonnerie ; et
- L'arsenic et le chrome dans le bois ayant subi un traitement chimique.

Le risque associé à de telles expositions varie selon la fréquence à laquelle on effectue ces travaux. Pour réduire toute exposition à ces produits : travailler dans un endroit bien aéré, en utilisant du matériel de sécurité homologué, tel un masque antipoussières spécialement conçu pour filtrer les particules microscopiques.

- **Limiter toute exposition prolongée avec les poussières provenant du ponçage, sciage, meulage, perçage ou toute autre activité de construction. Porter des vêtements de protection et nettoyer à l'eau savonneuse les parties du corps exposées.** Le fait de laisser la poussière pénétrer dans la bouche, les yeux ou la peau peut favoriser l'absorption de produits chimiques dangereux.

AVERTISSEMENT : cet outil peut produire et/ou répandre de la poussière susceptible de causer des dommages sérieux et permanents au système respiratoire. Utiliser systématiquement un appareil de protection des voies respiratoires homologué par le NIOSH ou l'OSHA. Diriger les particules dans le sens opposé au visage et au corps.

AVERTISSEMENT : pendant l'utilisation, porter systématiquement une protection auditive individuelle adéquate homologuée ANSI S12.6 (S3.19). Sous certaines conditions et suivant la durée d'utilisation, le bruit émanant de ce produit pourrait contribuer à une perte de l'acuité auditive.

ATTENTION : après utilisation, ranger l'outil sur son côté, sur une surface stable, là où il ne pourra ni faire trébucher ni faire chuter quelqu'un. Certains outils équipés d'un large bloc-piles peuvent tenir à la verticale sur celui-ci, mais manquent alors de stabilité.

- **Prendre des précautions à proximité des événements, car ils cachent des pièces mobiles.** Vêtements amples, bijoux ou cheveux longs risquent de rester coincés dans ces pièces mobiles.

L'étiquette apposée sur votre outil peut inclure les symboles suivants. Les symboles et leur définition sont indiqués ci-après :

- | | | | |
|-----------------|---------------------------------------|----------------------|--|
| V | voults | ~ or AC | courant alternatif |
| Hz | hertz | ~ or AC/DC | courant alternatif ou continu |
| min | minutes | ⊞ | fabrication classe II (double isolation) |
| — or DC | courant continu | n ₀ | vitesse à vide |
| Ⓜ | fabrication classe I (mis à la terre) | n | vitesse nominale |
| ... /min | par minute | ⊕ | borne de terre |
| BPM | battements par minute | ⚠ | symbole d'avertissement |
| IPM | impacts par minute | ⚠ | radiation visible |
| RPM | révolutions par minute | ☎ | protection respiratoire |
| sfpm | pieds linéaires par minute (plpm) | 👁 | protection oculaire |
| SPM (FPM) | fréquence par minute | 👂 | protection auditive |
| A | ampères | 📖 | lire toute la documentation |
| W | watts | 📖 | read all documentation |
| 👂 | wear hearing protection | | |

Pour des raisons de fonctionnalité et de sécurité, les étiquettes d'avertissement suivantes figurent sur votre scie à ongles.

SUR LE PARE-MAIN :

DANGER – RESTEZ À L'ÉCART DE LA LAME.

SUR LE PARE-MAIN SUPÉRIEUR :

FIXEZ BIEN LE SUPPORT DE FIXATION AVEC LES DEUX VIS AVANT D'UTILISER LE PRODUIT.

SUR LA TABLE : (À 2 ENDROITS)

AVERTISSEMENT : POUR RÉDUIRE TOUT RISQUE DE DOMMAGES CORPORELS, L'UTILISATEUR DOIT LIRE LE MANUEL DE L'UTILISATEUR AVANT TOUTE UTILISATION DE LA SCIE À ONGLET. GARDEZ VOS MAINS ET VOTRE CORPS HORS DE PORTÉE DE LA TRAJECTOIRE DE LA LAME DE LA SCIE. TOUT CONTACT AVEC LA LAME ENTRAÎNERA UNE BLESSURE GRAVE. VÉRIFIER LE BON FONCTIONNEMENT DE LA FERMETURE DU CARTER AVANT CHAQUE UTILISATION. RESSERRER SYSTÉMATIQUEMENT LES BOUTONS DE RÉGLAGE AVANT CHAQUE UTILISATION. NE JAMAIS UTILISER LA SCIE À MAIN LEVÉE. ARRIMER LES PETITES PIÈCES AVANT LA COUPE. NE JAMAIS PASSER LES MAINS DERRIÈRE LA LAME. NE JAMAIS CROISER LES BRAS DEVANT LA LAME. ARRÊTER L'OUTIL ET ATTENDRE L'ARRÊT COMPLET DE LA LAME DE SCIE AVANT DE DÉPLACER LA PIÈCE, DE MODIFIER LES RÉGLAGES OU DE DÉPLACER LES MAINS. RETIRER LE BLOC-PILES AVANT D'AJUSTER OU CHANGER LA LAME OU AVANT TOUT ENTRETIEN. POUR RÉDUIRE TOUT RISQUE DE DOMMAGES CORPORELS, RAMENER LE CHARIOT DANS SA POSITION ARRIÈRE EXTRÊME APRÈS CHAQUE COUPE TRANSVERSALE. RÉFLÉCHISSEZ ! VOUS PRÉVIENDREZ DES ACCIDENTS.



SUR LE SOCLE : (À 2 ENDROITS)



Accessoires

AVERTISSEMENT : comme les accessoires autres que ceux offerts par DeWALT n'ont pas été testés avec ce produit, leur utilisation avec cet appareil pourrait comporter un danger. Pour réduire tout risque de dommages corporels, seuls des accessoires DeWALT recommandés doivent être utilisés avec cet appareil.

Les accessoires recommandés avec cet outil sont vendus séparément chez votre distributeur local ou dans les centres de réparation autorisés. Si vous avez besoin d'aide pour localiser ces accessoires, veuillez contacter DeWALT Industrial Tool Co., 701 East Joppa Road, Towson, MD 21286 U.S.A. appeler le 1-800-4-DeWALT (1-800-433-9258) ou vous rendre sur notre site : www.DeWALT.com.

Accessoires en option

Les accessoires suivants, conçus spécialement pour votre scie, pourront vous aider. Dans certains cas, d'autres supports de travail, butées longitudinales, serre-joints, etc., obtenus localement pourront être plus appropriés. Sélectionnez et utilisez soigneusement vos accessoires.

LAMES DE SCIE : UTILISER EXCLUSIVEMENT DES LAMES DE SCIE DE 184 mm (7-1/4 po) AVEC UN ALÉSAGE ROND DE 16 mm (5/8 po) DE DIAMÈTRE ET UN TRAIT DE SCIE MAXIMUM DE 2,1 mm. LA VITESSE NOMINALE DOIT ÊTRE AU MINIMUM DE 4 000 r/min. NE PAS UTILISER DE LAMES AVEC UN ALÉSAGE EN FORME DE DIAMANT. Ne jamais utiliser une lame d'un diamètre différent. Elle ne serait pas protégée correctement. Utiliser uniquement des lames de coupe transversale ! Ne pas utiliser des lames conçues pour la coupe longitudinale, des lames à usage multiple ou des lames avec angle d'attaque supérieur à 7°.

DESCRIPTIONS DES LAMES		
APPLICATION	DIAMÈTRE	DENTS
Usage général	184 mm (7-1/4 po)	40
Coupe de précision du bois	184 mm (7-1/4 po)	60

BLOCS-PILES ET CHARGEURS

Le bloc-piles n'est pas totalement chargé d'usine. Avant d'utiliser le bloc-piles et le chargeur, lire les consignes de sécurité ci-après puis suivre la procédure de chargement indiquée. Pour commander un bloc-piles de recharge, s'assurer d'en inclure le numéro de catalogue et la tension.

Cet outil fonctionne avec un chargeur DeWALT. S'assurer de bien lire toutes les consignes de sécurité avant toute utilisation du chargeur. Consulter le tableau en fin de manuel pour connaître les compatibilités entre chargeurs et blocs-piles.

LIRE TOUTES LES CONSIGNES

Consignes importantes de sécurité les blocs-piles

AVERTISSEMENT : lire toutes les instructions et toutes les consignes de sécurité propres au bloc-piles, au chargeur et à l'outil électrique. Tout manquement aux avertissements et instructions pose des risques de décharges électriques, d'incendie et/ou de blessures graves.

- Ne pas recharger ou utiliser un bloc-piles en milieu déflagrant, en présence, par exemple, de poussières, gaz ou liquides inflammables. Le fait d'insérer ou retirer un bloc-piles de son chargeur pourrait causer l'inflammation de poussières ou d'émanations.
- NE JAMAIS forcer l'insertion d'un bloc-piles dans un chargeur. NE modifier un bloc-piles d'AUCUNE façon pour le faire rentrer dans un chargeur incompatible, car il pourrait se briser et causer des dommages corporels graves. Consulter le tableau en dernière page de ce manuel pour connaître les compatibilités entre chargeurs et blocs-piles.
- Recharger les blocs-piles exclusivement dans des chargeurs DeWALT.
- NE PAS éclabousser le bloc-piles ou l'immerger dans l'eau ou dans tout autre liquide.
- Ne pas entreposer ou utiliser l'appareil et le bloc-piles en présence de températures ambiantes pouvant excéder 40 °C (104 °F) (comme dans des hangars ou des bâtiments métalliques l'été). Pour préserver leur durée de vie, entreposer les blocs-piles dans un endroit frais et sec.
- REMARQUE : ne pas mettre un bloc-piles dans un outil dont la gâchette est verrouillée en position de marche. Ne jamais bloquer l'interrupteur en position de MARCHE.
- Ne pas incinérer le bloc-piles même s'il est sévèrement endommagé ou complètement usagé, car il pourrait exploser et causer un incendie. Pendant l'incinération des blocs-piles au lithium-ion, des vapeurs et matières toxiques sont dégagées.
- En cas de contact du liquide de la pile avec la peau, rincer immédiatement au savon doux et à l'eau. En cas de contact oculaire, rincer l'œil ouvert à l'eau claire une quinzaine de minutes ou jusqu'à ce que l'irritation cesse. Si des soins médicaux s'avèrent nécessaires, noter que l'électrolyte de la pile est composé d'un mélange de carbonates organiques liquides et de sels de lithium.
- Le contenu des cellules d'une pile ouverte peut causer une irritation respiratoire. En cas d'inhalation, exposer l'individu à l'air libre. Si les symptômes persistent, consulter un médecin.

AVERTISSEMENT : risques de brûlure. Le liquide de la pile peut s'enflammer s'il est exposé à des étincelles ou à une flamme.

AVERTISSEMENT : risques d'incendie. Ne jamais tenter d'ouvrir le bloc-piles pour quelque raison que ce soit. Si le boîtier du bloc-piles est fissuré ou endommagé, ne pas l'insérer dans un chargeur. Ne pas écraser, laisser tomber, ou endommager les blocs-piles. Ne pas utiliser un bloc-piles ou un chargeur qui a reçu un choc violent, ou si l'appareil est tombé, a été écrasé ou endommagé de quelque façon que ce soit (p. ex. percé par un clou, frappé d'un coup de marteau, piétiné). Les blocs-piles endommagés doivent être renvoyés à un centre de réparation pour y être recyclés.

Transport

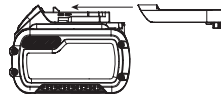
AVERTISSEMENT : risques d'incendie. Au moment de ranger ou transporter le bloc-piles, veiller à protéger ses bornes à découvert de tout objet métallique. Par exemple, éviter de placer le bloc-piles dans un tablier, une poche, une boîte à outils ou un tiroir, etc. contenant des objets tels que clous, vis, clés, etc. **Le fait de transporter des blocs-piles comporte des risques d'incendie, car les bornes des piles pourraient entrer, par inadvertance, en contact avec des objets conducteurs, tels que : clés, pièces de monnaie, outils ou autres.** La réglementation sur les produits dangereux (Hazardous Material Regulations) du département américain des transports interdit, en fait, le transport des blocs-piles dans les commerces ou dans les avions dans les bagages de cabine, À MOINS qu'ils ne soient correctement protégés de tout court-circuit. Aussi lors du transport individuel de blocs-piles, s'assurer que leurs bornes sont bien protégées et isolées de tout matériau pouvant entrer en contact avec elles et provoquer un court-circuit.

Expédition du bloc-piles DEWALT FLEXVOLT™

Le bloc-piles DEWALT FLEXVOLT™ possède deux modes : **Utilisation et Expédition.**

Mode Utilisation : lorsque le bloc-piles FLEXVOLT™ est par lui-même ou dans un produit DEWALT 20 v max*, il fonctionnera comme un bloc-piles de 20 v max*. Lorsque le bloc-piles FLEXVOLT™ est dans un produit de 60 v max* ou 120 v max* (deux blocs-piles de 60 v max*), il fonctionnera comme un bloc-piles de 60 v max*.

Mode Expédition : lorsque le capuchon est inséré sur le bloc-piles FLEXVOLT™, le bloc-piles est en mode Expédition. Les modules de cellules sont électriquement déconnectés du bloc le faisant correspondre à trois blocs-piles d'un wattheure (Wh) inférieur comparé à un bloc-piles de wattheure élevé. Ce passage à trois blocs-piles à un wattheure inférieur peut permettre au bloc-piles d'être exempté de suivre certaines directives d'expédition imposées sur les blocs-piles de wattheure supérieur. L'étiquette du bloc-piles donne deux estimations de wattheures (se reporter à l'exemple). Selon comment le bloc-piles est expédié, l'estimation appropriée de wattheure doit être utilisée pour déterminer les modalités d'expédition lui correspondant. Si le capuchon d'expédition est utilisé, le bloc-piles sera considéré comme 3 blocs-piles au wattheure indiqué pour « Expédition ». S'il est expédié sans le capuchon ou dans un outil, le bloc-piles sera considéré comme un seul bloc-piles au wattheure indiqué à côté de « Utilisation ».



Exemple d'étiquetage d'utilisation et d'expédition

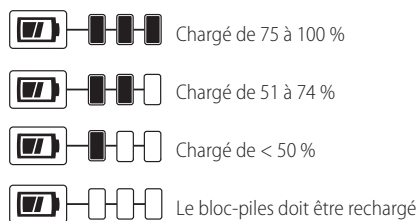
USE: 120 Wh Shipping: 3 x 40 Wh

Par exemple, le Wh de expédition pourra indiquer 3 x 40 Wh, ce qui correspond à 3 blocs-piles de 40 wattheures chacun. L'utilisation du Wh pourra indiquer 120 Wh (sous-entendu 1 bloc-piles).

Témoin de Charge du Bloc-Piles (Fig. B)

Certains blocs-piles DEWALT possèdent un témoin de charge qui consiste en trois voyants Del verts indiquant le niveau de charge du bloc-piles.

Le témoin de charge indique approximativement le niveau de charge restant dans le bloc-piles en fonction des voyants suivants :



Pour activer le témoin de charge, maintenez appuyé le bouton du témoin de charge. Une combinaison des trois voyants Del verts s'allumera indiquant le niveau de charge. Lorsque le niveau de charge du bloc-pile atteint la limite minimale d'utilisation, le témoin de charge reste éteint et le bloc-piles doit être rechargé.

Fig. B



REMARQUE : le témoin de charge ne fait qu'indiquer le niveau de charge du bloc-piles. Il ne donne aucune indication quant au fonctionnement de l'outil. Son propre fonctionnement pourra aussi varier en fonction des composants produit, de la température et de l'application d'utilisation.

Pour plus d'informations quant au témoin de charge du bloc-piles, veuillez appeler le 1-800-4-DEWALT (1-800-433-9258) ou vous rendre sur notre site www.dewalt.com.

Le sceau SRPRC®

Le sceau SRPRC® (Société de recyclage des piles rechargeables du Canada) apposé sur une pile au nickel-cadmium, à hydrure métallique de nickel ou au lithium-ion (ou un bloc-piles) indique que les coûts de recyclage de ces derniers en fin d'utilisation ont déjà été réglés par DEWALT. Dans certaines régions, la mise au rebut ou aux ordures municipales des piles au nickel-cadmium, à l'hydrure métallique de nickel ou au lithium-ion, est illégale ; le programme de l'Appel à Recycler® constitue donc une solution pratique et écologique.



Appel à Recycler Canada, Inc., en collaboration avec DEWALT et d'autres utilisateurs de piles, a mis sur pied de programme aux États-Unis et au Canada pour faciliter la collecte des piles au nickel-cadmium, à l'hydrure métallique de nickel ou au lithium-ion usagées. Aidez-nous à protéger l'environnement et à conserver nos ressources naturelles en renvoyant les piles au nickel-cadmium, à l'hydrure métallique de nickel ou au lithium-ion usagées à un centre de réparation autorisé DEWALT ou chez votre détaillant afin qu'elles y soient recyclées. On peut en outre se renseigner auprès d'un centre de recyclage local pour connaître d'autres sites les acceptant. SRPRC® est une marque déposée de l'Appel à Recycler Canada, Inc.

Directives de sécurité importantes propres à tous les chargeurs de piles

AVERTISSEMENT : lire toutes les instructions et toutes les consignes de sécurité propres au bloc-piles, au chargeur et à l'outil électrique. Tout manquement aux avertissements et instructions pose des risques de décharges électriques, d'incendie et/ou de blessures graves.

- **NE PAS tenter de charger de bloc-piles avec des chargeurs autres que ceux décrits dans ce manuel.** Le chargeur et son bloc-piles ont été conçus tout spécialement pour fonctionner ensemble.
- **Ces chargeurs n'ont pas été conçus pour une utilisation autre que recharger les blocs-piles rechargeables DEWALT.** Toute autre utilisation comporte des risques d'incendie, de chocs électriques ou d'électrocution.
- **Protéger le chargeur de la pluie ou de la neige.**
- **Tirer sur la fiche plutôt que sur le cordon pour débrancher le chargeur.** Cela permet de réduire les risques d'endommager la fiche ou le cordon d'alimentation.
- **S'assurer que le cordon est protégé de manière à ce que personne ne marche ni ne trébuche dessus, ou à ce qu'il ne soit ni endommagé ni soumis à aucune tension.**
- **N'utiliser une rallonge qu'en cas de nécessité absolue.** L'utilisation d'une rallonge inadéquate comporte des risques d'incendie, de chocs électriques ou d'électrocution.
- **Pour utiliser un chargeur à l'extérieur, le placer dans un endroit sec et utiliser une rallonge conçue pour l'extérieur.** L'utilisation d'une rallonge conçue pour l'extérieur réduit les risques de chocs électriques.
- **Pour la sécurité de l'utilisateur, utiliser une rallonge de calibre adéquat (AWG, American Wire Gauge [calibrage américain normalisé des fils électriques]).** Plus le calibre est petit, et plus sa capacité est grande. Un calibre 16, par exemple, a une capacité supérieure à un calibre 18. L'usage d'une rallonge de calibre insuffisant causera une chute de tension qui entraînera perte de puissance et surchauffe. Si plus d'une rallonge est utilisée pour obtenir une certaine longueur, s'assurer que chaque rallonge présente au moins le calibre de fil minimum. Le tableau ci-dessous illustre les calibres à utiliser selon la longueur de rallonge et l'intensité nominale indiquée sur la plaque signalétique. En cas de doute, utiliser le calibre suivant. Plus le calibre est petit, plus la rallonge peut supporter de courant.

Calibre minimum pour les cordons d'alimentation

Volts	Longueur totale du cordon d'alimentation en mètre (pieds)				
	7,6 (25)	15,2 (50)	30,5 (100)	45,7 (150)	
120 V					
240 V	15,2 (50)	30,5 (100)	61,0 (200)	91,4 (300)	
Ampères		AWG			
Plus que	Pas plus que				
0	6	18	16	16	14
6	10	18	16	14	12
10	12	16	16	14	12
12	16	14	12	Non recommandé	

- **Ne poser aucun objet sur le chargeur. Ne pas mettre le chargeur sur une surface molle qui pourrait en bloquer la ventilation et provoquer une surchauffe interne.** Éloigner le chargeur de toute source de chaleur. Le chargeur dispose d'orifices d'aération sur le dessus et le dessous du boîtier.
- **Ne pas le faire fonctionner avec un cordon d'alimentation ou une fiche endommagée.**
- **Ne pas utiliser le chargeur s'il a reçu un coup, fait une chute ou a été endommagé de quelque façon que ce soit.** Le ramener dans un centre de réparation agréé.
- **Ne pas démonter le chargeur. Pour tout service ou réparation, le rapporter dans un centre de réparation agréé.** Le fait de le réassembler de façon incorrecte comporte des risques de chocs électriques, d'électrocution et d'incendie.
- **Débrancher le chargeur du secteur avant tout entretien.** Cela réduira tout risque de chocs électriques. Le fait de retirer le bloc-piles ne réduira pas ces risques.
- **NE JAMAIS tenter de connecter 2 chargeurs ensemble.**

- **Le chargeur a été conçu pour être alimenté en courant électrique domestique standard de 120 volts. Ne pas tenter de l'utiliser avec toute autre tension.** Cela ne s'applique pas aux chargeurs de postes mobiles.

- ⚠ **AVERTISSEMENT** : risques de chocs électriques. Ne laisser aucun liquide pénétrer dans le chargeur, des chocs électriques pourraient en résulter.
 - ⚠ **AVERTISSEMENT** : risques de brûlure. Ne submerger le bloc-piles dans aucun liquide et le protéger de toute infiltration de liquide. Ne jamais tenter d'ouvrir le bloc-piles pour quelque raison que ce soit. Si le boîtier plastique du bloc-piles est brisé ou fissuré, le retourner dans un centre de réparation pour y être recyclé.
 - ⚠ **ATTENTION** : risques de brûlure. Pour réduire tout risque de dommages corporels, ne recharger que des blocs-piles rechargeables DeWALT. Tout autre type de piles pourrait exploser et causer des dommages corporels et matériels.
- AVIS** : sous certaines conditions, lorsque le chargeur est connecté au bloc d'alimentation, des matériaux étrangers pourraient court-circuiter le chargeur. Les corps étrangers conducteurs tels que (mais pas limité à) poussières de rectification, débris métalliques, laine d'acier, feuilles d'aluminium, ou toute accumulation de particules métalliques doivent être maintenus à distance des orifices du chargeur. Débrancher systématiquement le chargeur lorsque le bloc-piles n'y est pas inséré. Débrancher systématiquement le chargeur avant tout entretien.

Homologation du matériel sans fil et informations sécurité

- Cet appareil est conforme à la norme CAN ICES-3(B)/NMB-3(B).
- Cet appareil est conforme au paragraphe 15 du règlement du FCC et à la (aux) norme(s) RSS exempté(s) de licence d'Industrie Canada. Son utilisation est sujette aux deux conditions suivantes :
 - Ce dispositif ne doit pas causer d'interférences nuisibles; et
 - Ce dispositif doit accepter toute interférence reçue, y compris toute interférence pouvant causer un fonctionnement indésirable.

Cet équipement a été testé et jugé conforme aux limites propres aux appareils numériques de Classe B, conformément au Paragraphe 15 du règlement du FCC. Ces limites sont destinées à offrir une protection raisonnable contre les interférences nuisibles d'une installation résidentielle. Cet équipement produit, utilise et peut émaner des ondes radiofréquences qui, s'il n'est pas installé et utilisé conformément aux directives, pourront causer des interférences nuisibles aux communications radio. Cependant, en fonction des installations réalisées, l'absence d'interférences n'est pas garantie. Si cet équipement cause des interférences nuisibles à la réception radio ou télévision (ce qui peut être déterminé par la mise sous/hors tension de cet équipement) l'utilisateur est encouragé à tenter de corriger ces interférences en prenant l'une ou plusieurs des mesures suivantes :

- Réorienter l'antenne de réception ou en changer l'emplacement.
- Augmenter la distance entre l'équipement et le récepteur.
- Brancher l'équipement à une prise située sur un circuit différent de celui sur lequel le récepteur est connecté.
- Contacter un revendeur ou consulter un technicien radio/télé qualifié.
- Tout changement ou toute modification à l'appareil qui ne serait pas expressément approuvé par le fabricant pourra annuler les droits de l'utilisateur à employer cet équipement. Cet appareil numérique de Classe B est conforme aux normes canadiennes ICES-003.
- Conformément aux réglementions d'Industrie Canada, cet émetteur radio ne peut fonctionner qu'avec une antenne dont le type et le gain maximal (ou d'une valeur moindre) sont homologués par Industrie Canada pour cet émetteur. Pour réduire toute interférence radio potentielle pouvant affecter les autres utilisateurs, le type d'antenne et ses gains devraient être choisis de façon à ce que la puissance isotrope rayonnée équivalente ne soit pas supérieure aux limites permettant la communication.
- Pour être conforme aux limites d'irradiations RF pour la population en général du FCC et d'Industrie Canada, l'antenne utilisée avec cet appareil ne doit pas être placée ou utilisée conjointement avec tout autre émetteur ou toute autre antenne.

Pour les produits Bluetooth^{MD}

- Avant de voyager en avion, s'assurer de suivre les restrictions des compagnies aériennes quant à l'utilisation d'appareils électroniques et Bluetooth^{MD} personnels.
- La fonctionnalité d'alarme hors plage a été conçue pour servir à aider à alerter en cas de perte ou vol de produits. Ce n'est pas un système de sécurité.
- La plage de connectivité peut aller jusqu'à 30.5 meters (100 pieds) en fonction de l'environnement et des lieux.
- Les signaux de radiofréquences ondes courtes d'un appareil Bluetooth^{MD} pourront affecter les opérations d'autres appareils électroniques ou médicaux (comme les stimulateurs cardiaques ou les appareils acoustiques).

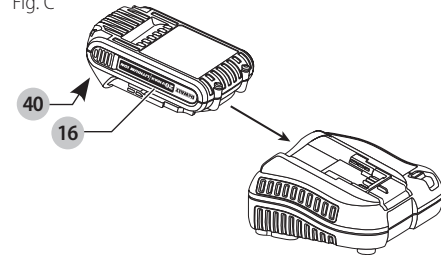
REMARQUE : le terme et les logos Bluetooth^{MD} sont des marques déposées appartenant à Bluetooth^{MD}, SIG, Inc. et toute utilisation de ces marques par DeWALT est autorisée par licence. Toute autre marque de commerce et appellation commerciale reste la propriété de leurs propriétaires respectifs.

Ce produit est conforme à ces standards lorsqu'il est utilisé avec un cordon de 1 m 80 (6 pi) ou moins.

Chargement du bloc-piles (Fig. C)

1. Branchez le chargeur dans la prise appropriée avant d'y insérer le bloc-piles.

Fig. C



2. Insérer le bloc-piles **16** dans le chargeur, en vous assurant qu'il y est correctement calé. Le voyant rouge (charge) clignotera de façon continue indiquant que le cycle de chargement a commencé.
3. En fin de charge, le voyant rouge restera ALLUMÉ de façon continue. Le bloc-piles est alors complètement rechargé et peut être utilisé ou laissé dans le chargeur. Pour retirer le bloc-piles du chargeur, appuyez sur le bouton de libération du bloc-piles **40** sur le bloc-piles.

REMARQUE : pour assurer des performances optimales et une durée de vie maximale des blocs-piles au lithium-ion, recharger pleinement le bloc-piles avant toute utilisation initiale.

Utilisation du chargeur

Reportez-vous aux indications du tableau ci-dessous pour consulter le statut de charge du bloc-piles.

DCB107, DCB112, DCB113, DCB115, DCB118, DCB132	
	Bloc-piles en Cours de Chargement
	Bloc-piles Chargé
	Suspension de Charge Contre le Chaud/Froid*

***DCB107, DCB112, DCB113, DCB115, DCB118, DCB132**: le voyant rouge ne cessera de clignoter, mais un voyant jaune restera allumé pendant cette opération. Lorsque le bloc-piles aura repris une température appropriée, le voyant jaune s'éteindra et le chargeur reprendra sa procédure de charge.

Le chargeur ne pourront recharger des blocs-piles défectueux. Le chargeur indiquera qu'un bloc-piles est défectueux en refusant de s'allumer ou en affichant bloc-piles ou chargeur défectueux.

REMARQUE : cela pourra aussi indiquer un problème avec le chargeur.

Si le problème provient du chargeur, faites vérifier le chargeur et le bloc-piles chez un centre de réparation agréé.

Fonction de suspension de charge contre le chaud/froid

Lorsque le chargeur détecte un bloc-piles trop chaud ou trop froid, il démarre automatiquement la fonction de suspension de charge contre le chaud, suspendant le chargement jusqu'à ce que le bloc-piles ait repris une température appropriée. Le chargeur ensuite se remettra automatiquement en mode de chargement. Cette caractéristique assure aux blocs-piles une durée de vie maximale.

Un bloc-piles froid se rechargera moins vite qu'un bloc-piles chaud. Le bloc-piles se rechargera à ce rythme plus lent tout au cours du cycle de charge et ne retournera pas à sa vitesse maximale de charge même s'il venait à se réchauffer.

Le chargeur DCB118 est équipé d'un ventilateur interne destiné à refroidir le bloc-piles. Le ventilateur se mettra automatiquement en marche chaque fois que le bloc-piles aura besoin de se refroidir.

N'utilisez jamais le chargeur si le ventilateur ne fonctionne pas correctement ou si ses fentes d'aération sont bloquées. Protégez systématiquement l'intérieur du chargeur de tout objet étranger.

Système de protection électronique

Les appareils au Li-Ion sont équipés d'un système électronique de protection pour protéger les blocs-piles de toute surcharge, surchauffe ou fuite importante.

L'appareil s'arrêtera automatiquement dès que le système électronique de protection sera activé. Si c'était le cas, placez le bloc-piles au lithium-ion sur son chargeur jusqu'à ce qu'il soit complètement rechargé.

Installation murale

DCB107, DCB112, DCB113, DCB115, DCB118, DCB132

Ces chargeurs ont été conçus pour une installation murale ou pour être posés sur une table ou une surface de travail. Pour une fixation murale, installez le chargeur à proximité d'une prise électrique, et à l'écart de coins ou de toute autre obstruction au passage de l'air. Utilisez l'arrière du chargeur pour marquer l'emplacement des vis de montage sur le mur. Fixez soigneusement le chargeur à l'aide de vis autoforeuses (vendues séparément) d'au moins 25,4 mm (1 po) de long, et de diamètre de tête de 7-9 mm (0,28-0,35 po), que vous visserez dans le bois en laissant une longueur optimale d'environ 5,5 mm (7/32 po) exposée. Alignez les orifices à l'arrière du chargeur sur les vis exposées et insérez à fond ces dernières dans les orifices.

Instructions d'entretien du chargeur

- ⚠ **AVERTISSEMENT** : risques de chocs électriques. Débrancher le chargeur de la prise de courant alternatif avant tout entretien. Éliminer toute saleté ou graisse de la surface externe

du chargeur à l'aide d'un chiffon ou d'une brosse non métallique douce. N'utiliser ni eau ni aucun nettoyant liquide.

Remarques importantes concernant le chargement

- Pour augmenter la durée de vie du bloc-piles et optimiser son rendement, le recharger à une température ambiante de 18 ° à 24 °C (65 °F à 75 °F). NE PAS recharger le bloc-piles à une température inférieure à + 4,5 °C (+ 40 °F) ou supérieure à + 40 °C (+ 104 °F). C'est important pour prévenir tout dommage sérieux au bloc-piles.
- Le chargeur et son bloc-piles peuvent devenir chauds au toucher pendant la charge. C'est normal et ne représente en aucun cas une défaillance du produit. Pour faciliter le refroidissement du bloc-piles après utilisation, éviter de laisser le chargeur ou le bloc-piles dans un local où la température ambiante est élevée comme dans un hangar métallique ou une remorque non isolée.
- Si le bloc-piles ne se recharge pas correctement :
 - Vérifier le bon fonctionnement de la prise en y branchant une lampe ou tout autre appareil électrique.
 - Vérifier que la prise n'est pas contrôlée par un interrupteur qui coupe le courant lorsqu'on éteint les lumières.
 - Déplacer le chargeur et le bloc-piles dans un local où la température ambiante se trouve entre environ 18 ° et 24 °C (65 °F et 75 °F).
 - Si le problème persiste, amener l'outil, le bloc-piles et son chargeur dans un centre de réparation local.
- Recharger le bloc-piles lorsqu'il ne produit plus assez de puissance pour effectuer un travail qu'il faisait facilement auparavant. NE PAS CONTINUER à l'utiliser dans ces conditions. Suivre la procédure de charge. Si nécessaire, il est aussi possible de recharger un bloc-piles partiellement déchargé sans effet nuisible sur le bloc-piles.
- Les corps étrangers conducteurs tels que (mais pas limité à) poussières de rectification, débris métalliques, laine d'acier, feuilles d'aluminium, ou toute accumulation de particules métalliques doivent être maintenus à distance des orifices du chargeur. Débrancher systématiquement le chargeur lorsque le bloc-piles n'y est pas inséré. Débrancher systématiquement le chargeur avant tout entretien.
- Ne pas congeler ou immerger le chargeur dans l'eau ou tout autre liquide.

Recommandations de stockage

- Le lieu idéal de rangement est un lieu frais et sec, à l'abri de toute lumière solaire directe et de toute température excessive.
- Pour un stockage prolongé, il est recommandé d'entreposer le bloc-piles pleinement chargé dans un lieu frais et sec, hors du chargeur pour optimiser les résultats.

REMARQUE : les blocs-piles ne devraient pas être entreposés complètement déchargés. Il sera nécessaire de recharger le bloc-piles avant réutilisation.

CONSERVER CES CONSIGNES POUR UTILISATION ULTÉRIEURE

Déballage de votre scie

Vérifiez que le carton de votre scie à onglet contient bien toutes les pièces d'origines.

En plus de ce manuel de l'utilisateur, ce carton devrait contenir :

- 1 Scie à onglet DCS361
- 1 Lame de scie DeWALT de 184 mm (7-1/4 po) de diamètre
- 1 Clé pour lame hex de 6,35 mm (1/4 po) et hexalobée Torx T30.
- 1 Chargeur (Kit seulement)
- 1 Bloc-piles (Kit seulement)

Dans le sac :

- 1 Sac à poussière
- 1 Fixation de matériau

Caractéristiques techniques

CAPACITÉ DE COUPE

	Hauteur	Largeur
Onglet 0°/Biseau 0°	50,8 mm (2 po)	209,5 mm (8 po)
Onglet 45°/Biseau 0°	50,8 mm (2 po)	146 mm (5,75 po)
Onglet 48°/Biseau 0°	50,8 mm (2 po)	152,4 mm (6 po)
Biseau 45° - Gauche/Onglet 0°	38,1 mm (1,5 po)	203 mm (8 po)
Couronne imbriquée	14,3 mm x 92 mm (9/16 po x 3-5/8 po)	
Moulure de base	15,8 mm x 89 mm (5/8 po x 3-1/2 po)	

REMARQUE : cette scie est capable de couper les éléments suivants si l'on suit une procédure particulière. Se reporter à la section **Coupes particulières**.

Limites d'angle de biseau

Angle d'onglet maximum	Angle de biseau max. auquel la coupe peut être effectuée
Côté gauche 48°	Biseau gauche : 40°
Côté droit 48°	Biseau gauche : 42,5°

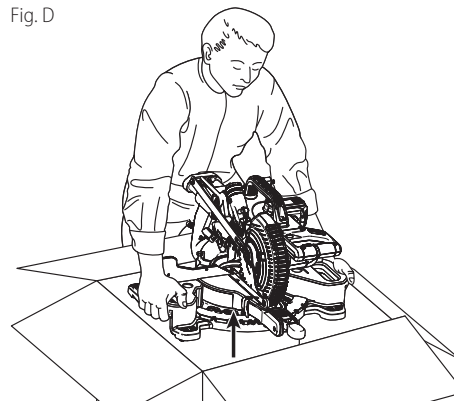
Limites d'angle d'onglet

À l'angle de biseau maximum	Angle d'onglet max. auquel la coupe peut être effectuée
Côté gauche 48°	Onglet gauche : 31,6°
	Onglet droit : 35°

Familiarisation (Fig. A, D)

Votre scie à onglet vient dans un carton, complètement assemblée. Ouvrez le carton et sortez la scie soit en utilisant la poignée de levage **15** soit les indentations de prise **10** sur la base de la scie (Fig. D).

Fig. D



Installez la scie sur une surface plane et lisse comme un établi, une table robuste.

Examinez la Figure A pour vous familiariser avec la scie et ses différentes pièces. La section suivante sur les réglages utilisera les termes mentionnés et il est important de connaître ces pièces et de savoir où elles sont.

ATTENTION : risques de pincement. Pour réduire tout risque de dommages corporels, maintenir le pouce sous la poignée d'utilisation pour la rabaisser. Le carter inférieur s'élèvera alors que la poignée d'utilisation sera abaissée, et cela pourrait vous pincer. La poignée d'utilisation est placée près du carter pour des coupes particulières.

Appuyez légèrement sur la poignée d'utilisation **2** et tirez sur la goupille de blocage **23**. Relâchez doucement la pression verticale et maintenez la poignée d'utilisation tout en lui permettant de s'élever à son maximum. Utilisez la goupille de blocage pour transporter la scie d'un lieu à l'autre. Utilisez systématiquement les indentations de prise **10** pour transporter la scie, comme illustré en Figure A.

Montage sur établi (Fig. A)

Les 4 pieds sont munis de trous **3** pour faciliter le montage sur établi, tel qu'illustré à la Figure A (deux trous de taille différente sont prévus afin d'accueillir des vis de différentes tailles. Utilisez l'un des trous, il n'est pas nécessaire d'utiliser les deux.) Assemblez toujours fermement votre scie sur une surface stable pour éviter tout mouvement. Pour améliorer la portabilité de l'outil, il peut être monté sur une pièce de contreplaqué de 12,7 mm (1/2 po) ou plus d'épaisseur, qui peut à son tour être fixée à votre support d'ouvrage ou déplacée vers un autre site de travail et fixée à nouveau.

REMARQUE : si vous avez décidé de monter votre scie sur une pièce de contreplaqué, assurez-vous que les vis de montage ne dépassent pas de la partie inférieure du bois. Le contreplaqué doit reposer à plat sur le support d'ouvrage. Lors de la fixation de la scie à toute surface de travail, ne la fixez que sur les brides de fixation où se situent les trous des vis de montage. L'agripper sur tout autre point interfèrera avec le bon fonctionnement de la scie.

ATTENTION : pour éviter tout grippage et manque de précision, assurez-vous que la surface de montage n'est pas tordue et ne présente pas d'autre défaut. Si la scie bascule sur la surface, placez une pièce de matériau de faible épaisseur sous l'un des pieds de la scie, jusqu'à ce que cette dernière soit fermement assise sur la surface de montage.

DESCRIPTION (FIG. A)

AVERTISSEMENT : ne jamais modifier l'outil électrique ni aucun de ses composants, car il y a risques de dommages corporels ou matériels.

Reportez-vous en Figure A au début de ce manuel pour obtenir la liste complète des composants.

USAGE PRÉVU

Cette scie à onglet industrielle a été conçue pour la découpe professionnelle du bois.

NE PAS l'utiliser en milieu ambiant humide ou en présence de liquides ou de gaz inflammables.

Cette scie à onglet est un outil électrique de professionnels. **NE PAS** la laisser à la portée des enfants. Une supervision est nécessaire auprès de tout utilisateur non expérimenté

Changement ou pose d'une nouvelle lame de scie (Fig. E)

Reportez-vous à la section **Lames de scie** sous **Accessoires en option** pour déterminer la lame correcte à utiliser.

AVERTISSEMENT : Pour réduire le risque de blessures corporelles graves, éteindre l'outil et retirer le bloc-piles avant de le transporter, d'effectuer tout réglage, d'enlever ou d'installer tout accessoire. Un démarrage accidentel pourrait provoquer des blessures.

ATTENTION :

- Ne jamais appuyer sur le bouton de verrouillage de la broche **32** alors que la lame est sous tension ou pas complètement arrêtée.
- Ne pas couper le métal, la maçonnerie, ou les produits en fibrociment avec cette scie à onglet.

Retrait de la lame (Fig. A, E)

1. Retirez le bloc-piles **16** de la scie.
2. Lever le bras sur sa position supérieure et lever le carter inférieur **4** aussi haut que possible.
3. Desserrez sans la retirer la vis arrière du support du carter **25** de quatre tours.
4. Desserrez sans la retirer la vis avant du support de carter **24** (Fig. E) jusqu'à ce que le support **26** soit assez élevé pour donner accès à la vis de lame **28**. Le carter inférieur restera élevé à cause de la position de la vis du support de carter.
5. Appuyez sur le bouton de verrouillage de la broche **32** en faisant tourner prudemment manuellement la lame de scie **27** jusqu'à enclencher le verrouillage.
6. Alors que le bouton est appuyé, utilisez l'autre main pour desserrer la vis de lame **28** à l'aide du côté de la clé hex de 1/4 po **22** fournie avec l'outil. (Tournez vers la droite, filetage à gauche.)
7. Retirez la vis de lame **28** à l'aide du côté de la clé hex de 1/4 po fournie avec l'outil, ainsi que la rondelle de serrage externe **29** et la lame **27**. La rondelle de serrage interne **30** peut rester sur la broche **31**.

Installation de la lame (Fig. A, E)

1. Retirez le bloc-piles **16** de la scie.
2. Alors que le bras est relevé, le carter inférieur **4** maintenu ouvert et le support de carter **26** relevé, placez la lame **27** sur la broche **31** et contre le serre-lame **30** avec les dents de scie positionnées dans le sens de rotation indiqué sur la scie.
3. Installez l'attache de lame extérieure **29** sur la broche **31**.
4. Insérez la vis de lame **28** puis, en activant le verrouillage de broche **32**, resserrez la vis **28** fermement avec la clé **22** fournie (tournez vers la gauche, filetage à gauche).
5. Ramenez le support de carter **26** sur sa position basse originale et resserrez fermement les deux vis du support de carter **24** **25** pour maintenir le support en place.

AVERTISSEMENT : le support du carter doit être remis complètement dans sa position originale basse et ses vis soigneusement serrées avant l'activation de la scie. Dans le cas contraire, le carter pourrait ne pas se refermer ou pourrait entrer en contact avec la lame de scie en rotation et occasionner des dommages matériels et corporels.

Transport de la scie (Fig. A)

AVERTISSEMENT : pour réduire le risque de blessures corporelles graves, éteindre l'outil et retirer le bloc-piles avant de le transporter, d'effectuer tout réglage, d'enlever ou d'installer tout accessoire. Un démarrage accidentel pourrait provoquer des blessures.

AVERTISSEMENT : Pour réduire le risque de blessures personnelles graves, verrouillez SYSTÉMATIQUEMENT le bouton de blocage du rail, la poignée de verrouillage de l'onglet, la poignée de verrouillage du biseau, les broches et retirez la batterie avant de transporter la scie.

Pour faciliter le déplacement de la scie à onglet d'un lieu à un autre, une poignée de levage **15** a été incluse sur le dessus du bras de scie et des indentations de prise **10** sur la base, comme illustré en Figure A. Ne pas soulever ou transporter par la poignée de fonctionnement **2**.

CARACTÉRISTIQUES ET COMMANDES

AVERTISSEMENT : pour réduire le risque de blessures corporelles graves, éteindre l'outil et retirer le bloc-piles avant de le transporter, d'effectuer tout réglage, d'enlever ou d'installer tout accessoire. Un démarrage accidentel pourrait provoquer des blessures.

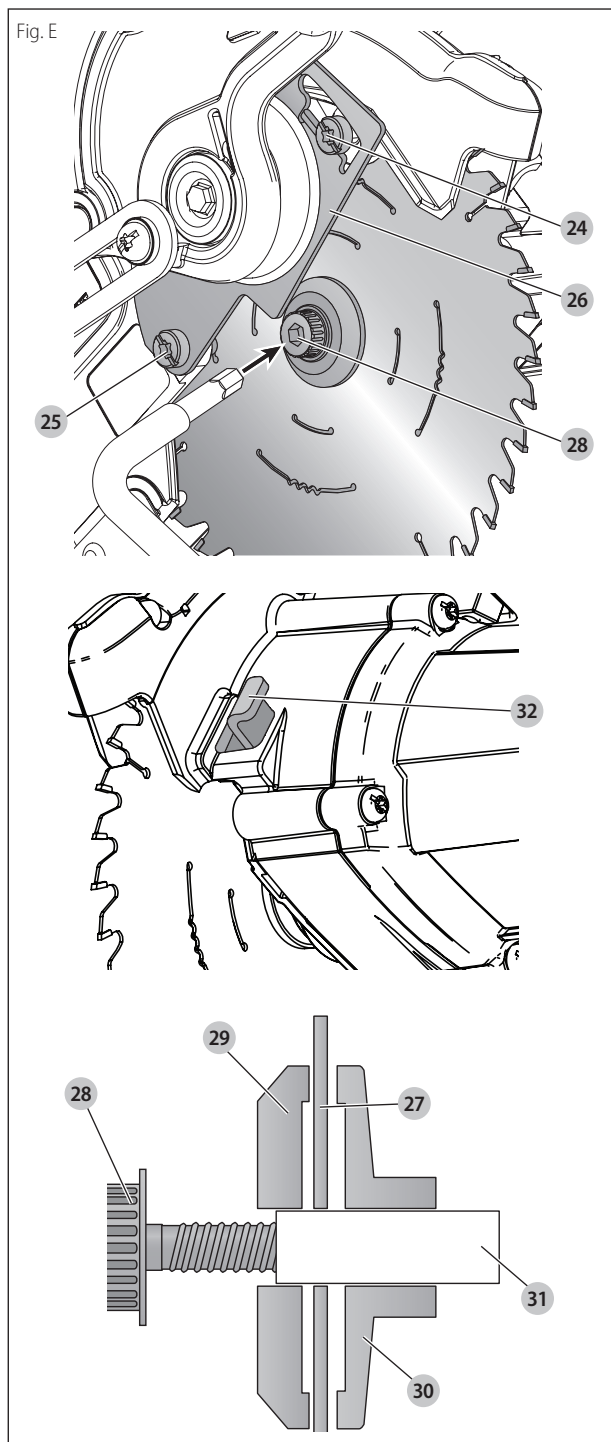
Utilisation du dispositif d'éclairage DEL CUTLINE (Fig. A)

ATTENTION : ne pas regarder directement le faisceau de la lampe. Risque de lésions oculaires graves.

REMARQUE : le bloc-piles doit être rechargé et connecté à la scie à onglet.

Le Dispositif d'éclairage DEL CUTLINE peut être allumé avec l'interrupteur à rappel **17**. La lumière s'éteindra automatiquement dans les 20 secondes d'inactivité de la scie. La lampe est aussi activée automatiquement chaque fois que la gâchette principale de l'outil **1** est activée.

Pour couper le long d'un tracé au crayon sur un morceau de bois, allumez la lampe de travail CUTLINE à l'aide de l'interrupteur à rappel **17** (pas avec la gâchette principale), puis rabattre la poignée d'utilisation **2** pour rapprocher la lame de scie du bois. L'ombre de la lame sera visible sur le bois. La silhouette de l'ombre représente le matériau que la lame éliminera pendant la



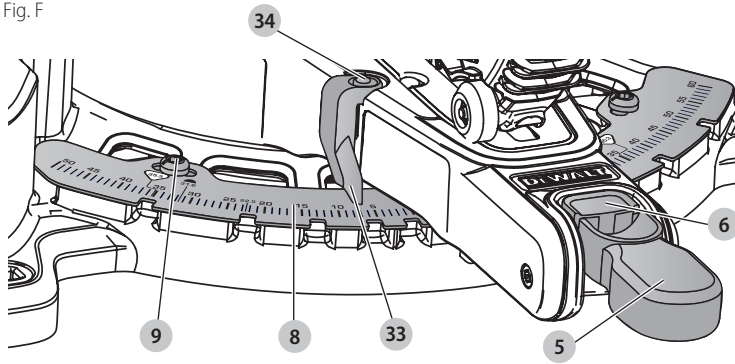
coupe. Pour ajuster correctement la découpe avec le tracé au crayon, alignez le tracé sur la lisière de l'ombre de la lame. Il sera peut-être nécessaire d'ajuster aussi les angles d'onglet ou de biseau pour cadrer exactement avec le tracé.

Votre scie est équipée d'un mécanisme de détection d'incidents du bloc-piles. La lampe de travail CUTLINE se met à clignoter lorsque le bloc-piles est en fin de charge utile ou lorsque le bloc-piles est trop chaud. Rechargez le bloc-piles avant de continuer à couper. Reportez-vous à la section **Procédure de charge** sous **Directives de sécurité propres à tous les blocs-piles** pour obtenir des instructions sur le chargement.

Commandes d'onglet (Fig. F)

La manette de verrouillage d'onglet **5** et le bouton de verrouillage d'onglet **6** permettent d'ajuster l'onglet de votre scie à 48° à droite et 48° à gauche. Le verrou d'onglet se mettra automatiquement à 10°, 15°, 22,5°, 31,62° et 45° à gauche et à droite. Pour ajuster l'onglet, déverrouillez le mécanisme de verrouillage d'onglet en relevant la manette de verrouillage d'onglet **5**. Appuyez sur le bouton de verrouillage d'onglet **6** et ajustez l'angle d'onglet désiré sur l'échelle d'onglet **8**. Verrouillez la manette de verrouillage d'onglet en appuyant dessus.

Fig. F

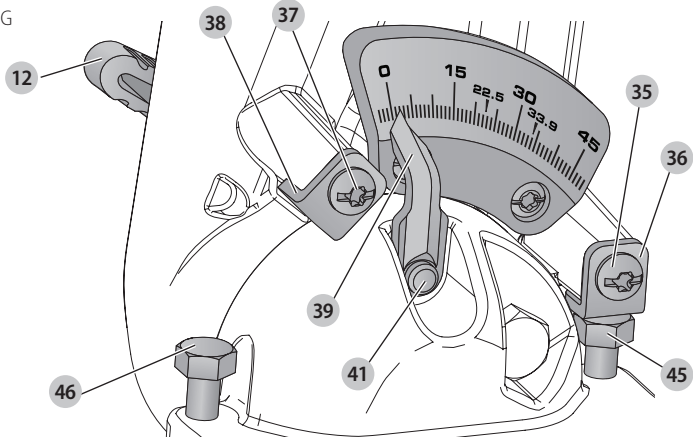


Molette de verrouillage de biseau (Fig. A, G)

Le verrouillage de biseau vous permet de régler le biseau de la scie à 48° à gauche. Pour régler le biseau désiré, tournez la molette de verrouillage de biseau **12** vers la gauche pour la desserrer. Pour la resserrer, tournez la molette de verrouillage de biseau vers la droite.

ATTENTION : risques de pincement. S'assurer de bien resserrer la molette de verrouillage de biseau avant d'ajuster les commandes prioritaires.

Fig. G



Libération de butée de biseau à 0° (Fig. G)

La libération de butée de biseau permet de régler le biseau de la scie vers la droite, au-delà du repère de 3°. Desserrez la vis **35** de libération de butée de biseau à 0° jusqu'à ce que le dispositif de fixation de la libération de butée de biseau à 0° **36** puisse bouger librement. Tournez le dispositif de fixation de la libération de butée de biseau à 0° pour permettre à la scie de tourner au-delà de la position de biseau zéro, puis resserrez la vis de libération.

Libération de butée de biseau à 45° (Fig. G)

La libération de butée de biseau permet de régler le biseau de la scie vers la gauche, au-delà du repère de 48°. Desserrez la vis de libération de butée de biseau à 45° **37** jusqu'à ce que le dispositif de fixation de la libération de butée de biseau à 45° **38** puisse bouger librement. Tournez le dispositif de fixation **38** de la libération de butée de biseau à 45° pour permettre à la scie de tourner au-delà de la position de biseau à 45°, puis resserrez la vis de libération.

Molette de verrouillage de rail (Fig. A)

La molette de verrouillage de rail **20** vous permet de verrouiller fermement la tête de scie pour l'empêcher de glisser sur les rails. C'est nécessaire pour effectuer certaines coupes ou pour transporter la scie.

Goupille de blocage (Fig. A)

ATTENTION : la goupille de blocage doit être utilisée UNIQUEMENT pour transporter ou entreposer la scie. NE JAMAIS utiliser la goupille de blocage pendant la découpe.

Pour verrouiller la tête de scie en position basse, poussez la tête de scie vers le bas, poussez sur la goupille de blocage **23** puis relâchez la tête de scie. Cela maintiendra solidement la tête de scie en position basse pour déplacer la scie d'un lieu à l'autre. Pour la dégager, appuyez sur la tête de scie et retirez la goupille.

UTILISATION

ATTENTION : pour réduire le risque de blessures corporelles graves, éteindre l'outil et retirer le bloc-piles avant de le transporter, d'effectuer tout réglage, d'enlever ou d'installer tout accessoire. Un démarrage accidentel pourrait provoquer des blessures.

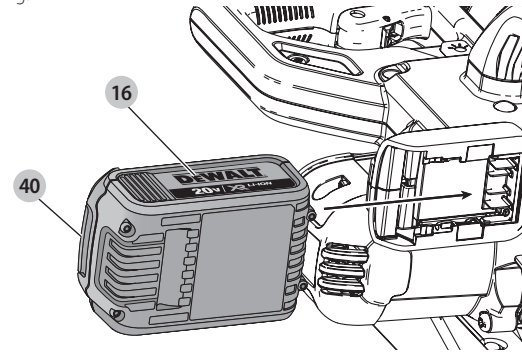
ATTENTION : porter systématiquement une protection oculaire. Tout utilisateur ou individu présent doit porter une protection oculaire homologuée ANSI Z87.1 (CAN/CSA Z94.3)

ATTENTION : pour s'assurer que le chemin de lame est libre de toute obstruction, faire un passage de coupe à vide, hors tension, avant de commencer de couper la pièce à travailler.

Installation et retrait du bloc-piles (Fig. H)

REMARQUE : pour des résultats optimaux, s'assurer que le bloc-piles est complètement chargé. Pour installer le bloc-piles **16** dans la poignée de l'outil, alignez le bloc-piles sur les rails dans la poignée de l'outil et faites-le glisser fermement en place puis vérifiez qu'il ne s'en détachera pas. Pour retirer le bloc-piles de l'outil, poussez sur le bouton de libération **40** et tirez fermement le bloc-piles hors de la poignée de l'outil. Insérez-le dans son chargeur comme décrit dans la section appropriée de ce manuel.

Fig. H



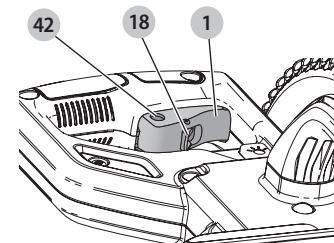
Gâchette (Fig. I)

Pour mettre la scie en marche, poussez le levier de verrouillage **18** vers la gauche, puis appuyez sur la gâchette **1**. La scie fonctionnera tant que l'interrupteur restera appuyé. Laissez la lame tourner à plein régime avant de commencer la découpe. Pour arrêter la scie, relâchez la gâchette. Attendez l'arrêt complet de la lame avant de relever la tête de scie. La gâchette ne peut être verrouillée en marche. Un trou **42** est prévu dans l'interrupteur pour y insérer un cadenas et verrouiller la scie à l'arrêt.

La scie n'est pas équipée d'un frein électrique automatique de lame, mais la lame devrait s'arrêter dans les 5 secondes de libération de la gâchette. Ce n'est pas réglable. Si le temps d'arrêt excède systématiquement les 5 secondes, veuillez vous adresser à un centre de réparation DEWALT agréé.

Assurez-vous systématiquement de l'arrêt complet de la lame avant de la retirer de la plaque de trait.

Fig. I



Dépoussiérage (Fig. A, J)

ATTENTION : pour réduire le risque de blessures corporelles graves, éteindre l'outil et retirer le bloc-piles avant de le transporter, d'effectuer tout réglage, d'enlever ou d'installer tout accessoire. Un démarrage accidentel pourrait provoquer des blessures.

Votre scie est équipée d'une buse de dépoussiérage intégrée **14** qui permet la connexion soit du sac à poussière **43** fourni ou d'un système d'aspirateur d'atelier.

Pour connecter le sac à poussière

1. Ajustez le sac à poussière **43** sur la buse de dépoussiérage **14**, comme illustré en Figure J.

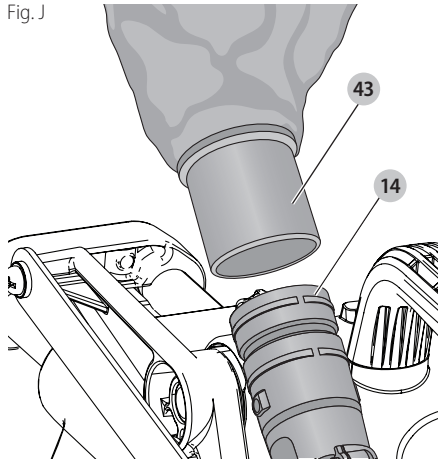
Pour vider le sac à poussière

1. Retirez le sac à poussière **43** de la scie puis secouez-le ou tapotez-le pour le vider.
2. Reconnectez le sac à poussière sur la buse de dépoussiérage **14**.

Il se peut que toute la poussière ne soit pas évacuée du sac. Cela n'affectera pas les performances de coupe, mais réduira l'efficacité d'aspiration de la poussière. Pour restaurer son rendement d'aspiration, appuyez sur le ressort à l'intérieur du sac à poussière lorsque vous le videz et tapotez le sac sur les côtés du réceptacle de récupération utilisé, poubelle ou autre.

ATTENTION : ne pas utiliser cette scie sans que le sac à poussière ou un extracteur de poussière DEWALT soit en place la poussière de bois pose des risques au système respiratoire.

Fig. J



Couper avec votre scie (Fig. A)

Si la fonctionnalité des rails n'est pas utilisée, assurez-vous que la tête de scie est repoussée aussi loin que possible et que la molette de verrouillage de rail 20 est resserrée. Cela empêchera la scie de glisser le long des rails alors que vous alimentez la pièce.

REMARQUE : NE PAS DÉCOUPER DES MÉTAUX OU DE LA MAÇONNERIE AVEC CETTE SCIE. Ne pas utiliser de lames abrasives.

REMARQUE : se reporter au paragraphe **Activation du guide et visibilité** sous la section **Réglages** pour obtenir des informations importantes sur le carter inférieur avant la découpe.

Coupes transversales (Fig. A, K)

Une coupe transversale est une coupe du bois dans le sens transversal du fil, à n'importe quel angle. Une coupe transversale droite est effectuée avec le bras d'onglet sur la position zéro degré. Réglez et verrouillez le bras d'onglet sur zéro, et maintenez la pièce fermement sur la table et contre le guide. Avec la molette de verrouillage de rail 20 resserrée, mettez la scie en marche en appuyant sur la gâchette 1, comme illustré en Figure A.

Lorsque la scie tourne à plein régime (après 1 seconde environ), abaissez le bras doucement et régulièrement pour couper le bois. Attendez l'arrêt complet de la lame avant de soulever le bras de scie.

Pour découper un morceau supérieur à 51 x 102 (2 x 4), utilisez un mouvement 'extérieur, bas, arrière' avec la molette de verrouillage de rail 20 desserrée. Tirez la scie vers vous, abaissez la tête de scie vers la pièce à travailler, et repoussez lentement la scie pour terminer la coupe. Ne laissez pas la lame entrer en contact avec le dessus de la pièce alors que vous sortez la scie. La scie pourrait revenir vers vous, posant des risques de dommages corporels et matériels.

AVERTISSEMENT : utilisez systématiquement un dispositif de fixation pour maintenir le contrôle de la pièce à travailler et réduire les risques de dommages matériels et corporels, si vos mains doivent se trouver dans les 100 mm (4 po) de la lame pendant la découpe.

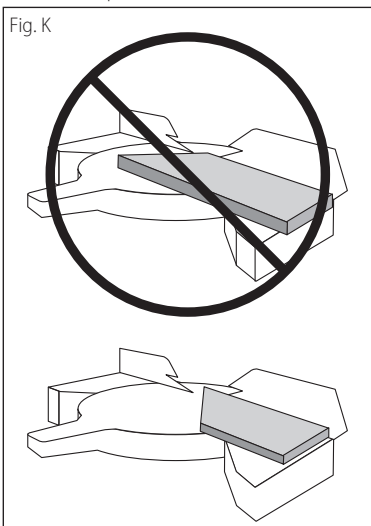
REMARQUE : la molette de verrouillage de rail 20 illustrée en Figure A doit être desserrée pour permettre à la scie de glisser le long des rails.

Les coupes transversales d'onglet sont effectuées avec le bras d'onglet réglé sur un angle autre que zéro. Cet angle est souvent à 45° pour faire des coins, mais il peut être ajusté différemment entre zéro et 48° à gauche ou 48° à droite. Effectuez la coupe comme décrit ci-dessus.

Si vous effectuez une coupe à onglet sur une pièce d'une largeur supérieure à 2 x 6, mais de longueur inférieure, placez systématiquement le côté le plus long le long du guide (Fig. K).

Pour couper le long d'un tracé au crayon sur un morceau de bois, essayez de suivre l'angle le plus près possible. Coupez le bois un peu trop long et mesurez depuis le tracé jusqu'au bord de coupe pour déterminer dans quelle direction régler l'angle d'onglet puis recoupez. Cela demande un peu de pratique, mais c'est une technique utilisée couramment.

Fig. K



Coupes biseautées (Fig. A)

Une coupe en biseau est une coupe transversale effectuée alors que la lame de scie forme un angle avec le bois. Pour régler le biseau, desserrez le verrouillage de biseau 12, et déplacez la scie sur la gauche comme désiré. Une fois l'angle de biseau désiré ajusté, resserrez fermement le verrouillage de biseau. Reportez-vous à la section **Caractéristiques et commandes** pour des instructions détaillées quant au dispositif à biseau.

Les angles de biseau peuvent être réglés de 3° à droite à 48° à gauche.

Qualité de coupe

La qualité de toute coupe dépend de plusieurs variables. Des paramètres tels que le matériau coupé, le type de lame, la dureté de la lame et la vitesse de coupe contribuent tous à la qualité de coupe.

Lorsqu'une coupe plus fluide est désirée pour les moulures ou tout autre travail de précision, une lame affûtée (60 dents au carbure ou plus) et une vitesse de coupe plus lente et régulière produiront les résultats désirés.

S'assurer que le matériau ne bougera ou ne glissera pas pendant la découpe; l'arrimer soigneusement en place. Attendre systématiquement l'arrêt complet de la lame avant de soulever le bras de scie.

Si de petites fibres de bois sont toujours projetées à l'arrière de la pièce, placez un morceau de ruban adhésif de carrossier sur le bois à l'endroit où la coupe sera effectuée. Sciez à travers le ruban adhésif et retirez-le soigneusement lorsque vous avez terminé.

Pour différentes applications de coupe, consultez la liste de lames de scie recommandées pour votre outil et sélectionnez celle qui s'adapte le mieux à vos besoins. Consulter **Lames de scie** sous **Accessoires facultatifs**.

Position du corps et des mains (Fig. L1-L4)

Un positionnement adéquat de votre corps et de vos mains lors de l'utilisation de la scie à onglet rendra la coupe plus facile, plus précise et plus sûre. Ne placez jamais vos mains à proximité de la zone de coupe. Ne les placez pas à moins de 100 mm (4 po) de la lame. Maintenez fermement la pièce en place contre la table et le guide pendant l'opération de coupe. Gardez vos mains en position jusqu'au relâchement de la détente et à l'arrêt complet de la lame. EFFECTUEZ TOUJOURS DES ESSAIS À BLANC (SANS ALIMENTATION) AVANT DE RÉALISER VOS COUPES AFIN DE VÉRIFIER LA TRAJECTOIRE DE LA LAME. NE CROISEZ PAS LES MAINS, TEL QU'ILLUSTRÉ À LA Figure L3.

Gardez vos pieds ancrés au sol afin de maintenir votre équilibre. Lorsque vous déplacez le bras d'onglet vers la gauche ou la droite, suivez-le et tenez-vous légèrement sur le côté de la lame de la scie. Observez au travers des persiennes du pare-main lorsque vous suivez un trait tiré au crayon.

Fig. L1

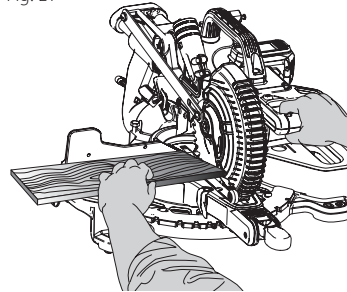


Fig. L2

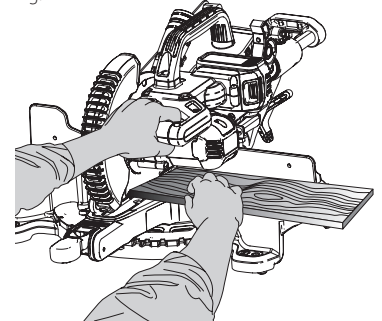
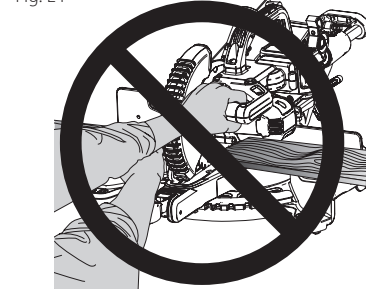


Fig. L3



Fig. L4



Fixation de la pièce

AVERTISSEMENT : pour réduire le risque de blessures corporelles graves, éteindre l'outil et retirer le bloc-piles avant de le transporter, d'effectuer tout réglage, d'enlever ou d'installer tout accessoire. Un démarrage accidentel pourrait provoquer des blessures.

AVERTISSEMENT : une pièce de travail qui est bloquée, équilibrée et fixée avant d'être coupée peut devenir déséquilibrée après la coupe. Une charge déséquilibrée risque de faire basculer la scie ou toute chose à laquelle la scie est fixée, comme une table ou un établi. Au moment de couper une pièce qui risque d'être déséquilibrée, s'assurer qu'elle est bien soutenue et que la scie est bien boulonnée à une surface stable. Sinon, il y aurait risque de blessures corporelles.

AVERTISSEMENT : le pied de la bride doit être encastré au-dessus de la base de la scie chaque fois que la bride est utilisée. Toujours serrer la pièce à la base de la scie et non à une autre partie de la zone de travail. S'assurer que le pied de la bride n'est pas serré au bord de la base de la scie.

AVERTISSEMENT : utilisez systématiquement une bride de fixation pour maintenir le contrôle de la pièce à travailler et réduire les risques de dommages matériels et corporels, si vos mains doivent se trouver dans 100 mm (4 po) de la lame pendant la découpe.

Si vous ne pouvez pas manuellement maintenir la pièce sur la table et contre le guide (à cause d'une forme irrégulière ou d'une autre raison) ou que votre main se trouverait à moins de 100 mm (4 po) de la lame, vous devez utiliser un pinceur de travail ou une autre fixation.

Utilisez la bride de fixation de matériel fournie avec votre scie. Pour acheter une bride de fixation, veuillez contacter votre détaillant local ou un centre de réparation DEWALT.

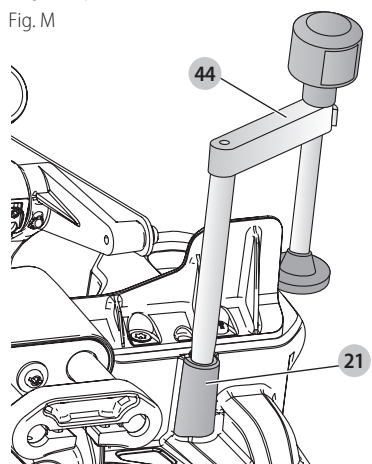
Utilisez le dispositif de fixation fourni avec votre scie. Pour acheter un dispositif de fixation, veuillez contacter votre détaillant local ou un centre de réparation DEWALT.

Tout autre dispositif, tels pinces à ressort, brides de serrage ou étaux en C, peut être approprié selon la taille ou la forme du matériau. Choisissez et installez ces dispositifs de fixation avec soin. Prenez le temps de faire un passage à vide avant la coupe.

Installation du dispositif de fixation (Fig. A, M)

1. Insérez le dispositif de fixation 44 dans l'orifice 21 derrière le guide. La bride doit être face à l'arrière de la scie à onglets. La rainure logée dans la tige de la bride doit être bien insérée dans la base. S'assurer que cette rainure est bien insérée dans la base de la scie à onglets. Si la rainure est visible, cela signifie que la bride est mal fixée.

Fig. M



2. Tourner la bride de 180° vers l'avant de la scie à onglets.
3. Desserrer la poignée pour monter ou descendre la bride, puis utiliser le bouton de réglage fin pour serrer fermement la pièce.

REMARQUE: placer la bride du côté opposé à la base pour le biseautage. TOUJOURS EFFECTUER DES MARCHES À SEC (SANS ALIMENTATION) AVANT DE RÉALISER VOS COUPES AFIN DE VÉRIFIER LA TRAJECTOIRE DE LA LAME. S'ASSURER QUE LA BRIDE N'OBSTRUE PAS LE MOUVEMENT DE LA SCIE OU DES DISPOSITIFS DE PROTECTION.

RÉGLAGES

AVERTISSEMENT : pour réduire le risque de blessures corporelles graves, éteindre l'outil et retirer le bloc-piles avant de le transporter, d'effectuer tout réglage, d'enlever ou d'installer tout accessoire. Un démarrage accidentel pourrait provoquer des blessures.

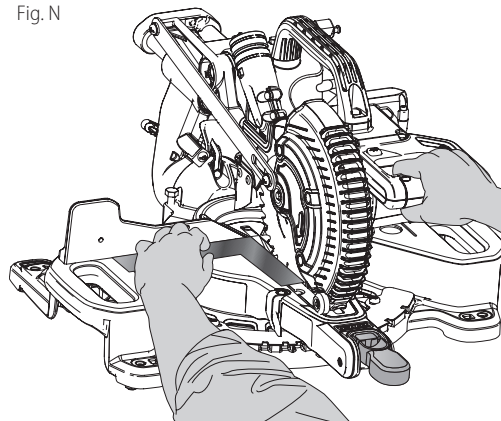
Votre scie à onglet a été parfaitement et précisément réglée en usine au moment de sa fabrication. Si en raison du transport, de la manutention, ou pour toute autre raison, un ajustement s'avérerait nécessaire, suivez les instructions ci-après pour régler votre scie.

Une fois effectués, ces réglages devraient demeurer corrects. Prenez, dès à présent, un minimum de temps pour suivre soigneusement ces directives pour maintenir la précision dont votre scie est capable.

Réglage de l'échelle d'onglet (Fig. F, N)

Verrouillez le bras en position basse. Déverrouillez la manette de verrouillage d'onglet 5 et faites pivoter le bras d'onglet jusqu'à ce que le bouton de verrouillage d'onglet 6 s'enclenche sur la position d'onglet à 0°. Ne verrouillez pas la manette de verrouillage d'onglet. Appliquez une équerre contre le guide de scie et la lame, comme illustré. (Ne pas mettre l'équerre en contact avec la pointe des dents de lame. Cela donnerait une mesure inexacte.) Si la lame n'est pas parfaitement perpendiculaire au guide, desserrez les trois vis 9 maintenant l'échelle d'onglet 8 et déplacez la manette de verrouillage d'onglet et l'échelle, vers la gauche ou la droite, jusqu'à ce que la lame soit perpendiculaire au guide, selon la mesure prise avec l'équerre. Resserrez les trois vis. Ne faites pas attention aux indications données par l'index d'onglet à ce stade.

Fig. N



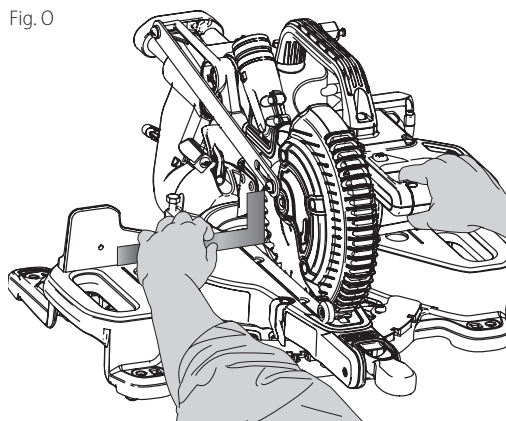
Réglage de l'index d'onglet (Fig. F)

Déverrouillez le mécanisme de verrouillage d'onglet en relevant la manette de verrouillage d'onglet 5. Appuyez sur le bouton de verrouillage d'onglet 6, et laissez le verrou d'onglet s'enclencher en place alors que vous ramenez le bras d'onglet sur zéro. Vérifiez l'index d'onglet 33 et l'échelle d'onglet 8 illustrés en Figure E. Si l'index n'indique pas exactement zéro, desserrez la vis de l'index d'onglet 34 tout en maintenant l'index fixe, puis repositionnez l'index et resserrez la vis.

Ajustement d'une fausse équerre à la table (Fig. A, G, O)

Pour aligner la lame perpendiculairement à la table, verrouillez le bras de scie en position basse avec la goupille de blocage 23. Placez une équerre contre la lame, en vous assurant que l'équerre ne soit pas sur une dent. Desserrez la molette de verrouillage de biseau 12 et assurez-vous que le bras est fermement appuyé contre la butée de biseau à 0°. Tournez la vis de réglage du biseau 45 à 0° à l'aide d'une clé pour lame de 12,7 mm (1/2 po) (non fournie) jusqu'à ce que la lame forme un biseau de 0° avec la table, selon la mesure prise avec l'équerre.

Fig. O



Index de biseau (Fig. G)

Si l'index de biseau 39 n'indique pas zéro, desserrez la vis maintenant en place l'index de biseau 41 et déplacez-le comme nécessaire. Assurez-vous que le biseau à 0° est correct et que l'index de biseau est bien réglé avant d'ajuster toute autre vis d'angle de biseau.

Réglage de butée de biseau à 45° à gauche (Fig. A, G)

Pour ajuster la butée de biseau gauche à 45°, desserrez d'abord la molette de verrouillage de biseau puis inclinez la tête vers la gauche. Si l'index de biseau n'indique pas exactement 45°, tournez la vis de réglage de biseau 46 à 45° jusqu'à ce que l'index de biseau indique 45°.

Activation du carter et visibilité (Fig. A, W)

ATTENTION : risques de pincement. Pour réduire tout risque de dommages corporels, maintenir le pouce sous la poignée d'utilisation pour la rabaisser. Le carter inférieur s'élèvera alors que la poignée d'utilisation sera abaissée, et cela pourrait vous pincer.

Le carter inférieur 4 de votre scie a été conçu pour découvrir automatiquement la lame lorsque le bras est abaissé et pour couvrir la lame lorsque le bras est relevé.

Avant chaque utilisation ou après tout réglage, activez le bras (hors tension) pour vous assurer que le carter s'ouvre librement et se referme complètement. Il ne devrait pas entrer en contact avec la lame. Avec le bras relevé, levez le carter (hors tension), comme illustré en Figure W, puis relâchez-le. Le carter devrait se refermer rapidement. N'utilisez pas la scie si le carter ne bouge pas librement et ne se referme pas complètement et rapidement sur la lame. N'arrimez jamais le carter en position ouverte lors de l'utilisation de la scie.

Le carter peut être relevé manuellement pour installer ou retirer les lames de scie ou pour inspecter la scie. NE JAMAIS RELEVER LE CARTER INFÉRIEUR MANUELLEMENT SI LA LAME N'EST PAS À L'ARRÊT COMPLET.

REMARQUE : certaines coupes particulières de larges matériaux nécessiteront de relever manuellement le carter. Se reporter à la section **Coupe de larges matériaux** sous **Coupes particulières**.

La section avant du carter est à claire-voie pour augmenter la visibilité pendant la coupe. Bien que les fentes réduisent dramatiquement les rejets de débris, ceux sont des ouvertures dans le carter et une protection oculaire devrait être portée en permanence.

Réglage du rail de guidage (Fig. A)

Éliminez régulièrement les débris sur les rails **13** et vérifiez l'absence de jeu et l'espace requis. Les rails peuvent être nettoyés à l'aide d'un chiffon propre et sec. Le rail droit peut être ajusté avec la vis de pression **19** illustrée en Figure A. Pour réduire l'espacement, utilisez une clé hexagonale de 4 mm et tournez graduellement la vis de pression vers la droite tout en poussant la tête de scie d'avant en arrière. Réduisez le jeu tout en maintenant un minimum de force de glisse.

Soutien des pièces longues

⚠ AVERTISSEMENT : pour réduire le risque de blessures corporelles graves, éteindre l'outil et retirer le bloc-piles avant de le transporter, d'effectuer tout réglage, d'enlever ou d'installer tout accessoire. Un démarrage accidentel pourrait provoquer des blessures.

SOUTENEZ TOUJOURS LES PIÈCES LONGUES.

Ne jamais utiliser une personne pour remplacer une rallonge de table, comme soutien supplémentaire pour une pièce dont la longueur ou la largeur dépasse le banc de scie de base ou pour aider à alimenter, soutenir la pièce ou pour la tirer.

Soutenez les longues pièces à l'aide de tout moyen commode, par exemple un chevalet de sciage ou un appareil similaire, afin d'empêcher les extrémités de tomber.

Découpe de cadres, de coffrages et d'autres objets à quatre faces (Fig. P, Q)

Pour mieux comprendre comment façonner les éléments mentionnés ici, nous vous suggérons de commencer par des projets simples en utilisant des chutes de bois jusqu'à ce que vous soyez bien familiarisé avec votre outil.

Fig. P

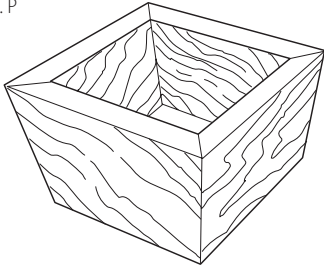
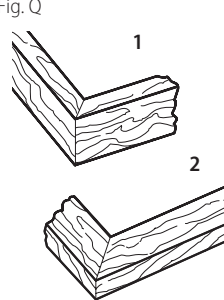


Fig. Q



Votre scie est l'outil parfait pour réaliser des coins à l'onglet comme celui illustré à la Figure P. Le diagramme 1 de la Figure Q illustre un assemblage réalisé à l'aide du réglage de biseau pour biseauter les arêtes des deux planches à 45° chacune afin de produire un coin à 90°. Pour réaliser cet assemblage, le bras d'onglet était bloqué à la position zéro et le réglage de biseau était bloqué à 45°. Le morceau de bois était positionné avec le large côté plat contre la table et l'arête étroite contre le guide. Il aurait également été possible de découper à l'onglet à droite et à gauche en maintenant la surface large contre le guide.

Découpe de moulures de garnissage et d'autres cadres (Fig. P, Q)

Le diagramme 2 de la Figure Q illustre un assemblage réalisé en réglant le bras d'onglet à 45° pour couper à l'onglet les deux planches afin de former un coin à 90°. Pour réaliser ce type d'assemblage, réglez le biseau sur zéro et le bras d'onglet sur 45°. Le morceau de bois était à nouveau positionné avec le large côté plat contre la table et l'arête étroite contre le guide.

Les Figures P et Q ne s'appliquent qu'à des objets à quatre côtés.

Lorsque le nombre de côtés change, les angles d'onglet et de biseau changent aussi. Le tableau ci-dessous indique les angles adéquats pour diverses formes.

– EXEMPLES –

NOMBRE DE CÔTÉS	ANGLE D'ONGLET OU DE BISEAU
4	45°
5	36°
6	30°
7	25,7°
8	22,5°
9	20°
10	18°

Le tableau suppose que tous les côtés sont de même longueur. Pour réaliser une forme qui n'apparaît pas dans le tableau, utilisez la formule suivante : 180° divisé par le nombre de côté donne l'angle d'onglet (si le matériau est coupé verticalement) ou de biseau (s'il est coupé à plat).

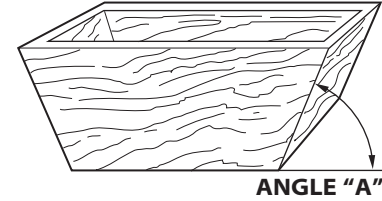
Découpe à onglet mixte (Fig. R)

Une coupe à onglet mixte est réalisée en utilisant simultanément un angle d'onglet et un angle de biseau. C'est le type de coupe utilisé pour fabriquer des cadres ou des boîtes dont les côtés sont inclinés, comme illustré dans la Figure Q.

REMARQUE : si l'angle de coupe varie d'une coupe à l'autre, vérifiez que la molette de verrouillage de biseau et la poignée de blocage d'onglet sont bien verrouillées. Elles doivent être reverrouillées après tout changement d'onglet ou de biseau.

Le tableau en fin de manuel (Tableau 1) vous aidera à sélectionner les paramètres corrects de biseau ou d'onglet pour les coupes d'onglet mixtes courantes. Pour utiliser le tableau, sélectionnez l'angle A souhaité (Fig. R) pour votre projet et recherchez cet angle sur l'arc adéquat du tableau. Tracez un trait vertical à partir de ce point pour lire l'angle de biseau adéquat et un trait horizontal pour lire l'angle d'onglet adéquat.

Fig. R



Réglez votre scie sur les angles prescrits et effectuez quelques coupes d'essai. Entraînez-vous à assembler les pièces coupées jusqu'à maîtriser cette procédure.

Exemple : pour fabriquer une boîte à quatre côtés avec des angles extérieurs à 26° (Angle A, Figure R), utilisez l'arc supérieur droit. Trouvez la valeur 26° sur l'échelle de l'arc. Suivez la ligne horizontale intersectante jusqu'à l'un des deux axes pour obtenir le réglage de l'angle d'onglet pour votre scie (42°). Suivez de même la ligne verticale intersectante vers le bas ou vers le haut pour obtenir le réglage de l'angle de biseau pour la scie (18°). Essayez toujours les coupes sur des chutes de bois afin de vérifier les réglages de la scie.

Découpe de moulures de base (Fig. S)

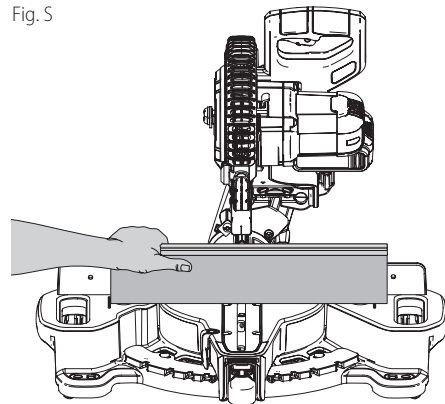
Coupes droites à 90° :

Placez le bois contre le guide et maintenez-le en place comme illustré à la Figure S. Mettez la scie en marche, laissez la lame atteindre son plein régime et abaissez doucement le bras à travers la coupe.

Découpe de moulure de base jusqu'à 89 mm (3,5 po) de hauteur verticalement contre le guide

Placez le matériau comme illustré à la Figure S.

Fig. S



Toutes les coupes devraient être effectuées avec l'arrière de la moulure appuyé contre le guide et le bas de la moulure contre la table.

	COIN INTÉRIEUR	COIN EXTÉRIEUR
Côté gauche	Onglet gauche à 45° Conservez le côté gauche de la coupe	Onglet droit à 45° Conservez le côté gauche de la coupe
Côté droit	Onglet droit à 45° Conservez le côté droit de la coupe	Onglet gauche à 45° Conservez le côté droit de la coupe

Du matériel jusqu'à 89 mm (3,5 po) peut être coupé comme indiqué ci-dessus.

Découpe de moulures couronnées

Pour cadrer correctement, les moulures couronnées doivent être faites d'un assemblage d'onglets combinés d'une précision extrême.

Deux surfaces planes d'une pièce de moulure couronnée sont coupées angulairement, et lorsqu'elles sont jointes, elles doivent former exactement un angle à 90°. La plupart, mais pas toutes les moulures couronnées ont un angle supérieur arrière (la section à plat sur le plafond) de 52° et un angle inférieur arrière (la partie qui va contre le mur) de 38°.

Votre scie à onglet possède des crans d'arrêt d'onglet pré-réglés à 31,6° à gauche et à droite pour couper les moulures couronnées au bon angle. Il y a aussi un repère sur l'échelle de biseau à 33,8°.

Le tableau de **Réglage du biseau/Type de coupe** présente les paramètres corrects pour couper une moulure couronnée. (Les chiffres de réglages d'onglet et de biseau sont très précis et pas faciles à ajuster avec précision sur votre scie.) Comme la plupart des pièces d'une habitation ne possèdent pas des angles à précisément 90°, il sera nécessaire de faire des ajustements de toute façon.

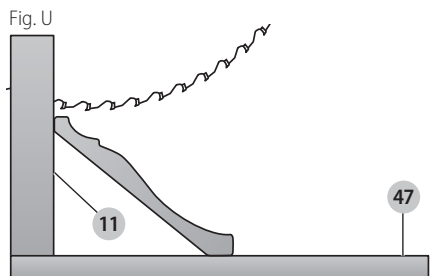
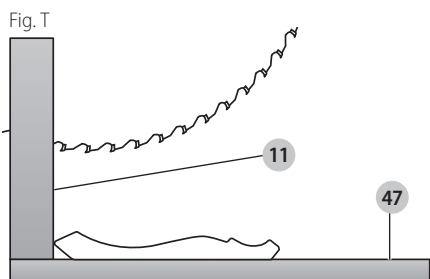
IL EST EXTRÊMEMENT IMPORTANT DE FAIRE UN TEST SUR UN REBUT !

Instructions pour découper une moulure couronnée plate en utilisant la fonctionnalité composée.

1. Posez la large surface arrière de la moulure à plat sur la table de scie (Fig. T).
2. Les réglages ci-dessous correspondent à toutes les moulures couronnées standards (É.U.) avec des angles à 52° et 38°.

RÉGLAGE BISEAU	TYPE DE COUPE
33,8°	CÔTÉ GAUCHE, COIN INTERNE : 1. Bord supérieur de la moulure contre le guide 2. Table d'onglet réglée à droite à 31,62° 3. Conservez l'extrémité gauche de la coupe
33,8°	CÔTÉ DROIT, COIN INTERNE : 1. Bord inférieur de la moulure contre le guide 2. Table d'onglet réglée à gauche à 31,62° 3. Conservez l'extrémité gauche de la coupe
33,8°	CÔTÉ GAUCHE, COIN EXTERNE : 1. Bord inférieur de la moulure contre le guide 2. Table d'onglet réglée à gauche à 31,62° 3. Conservez l'extrémité droite de la coupe
33,8°	CÔTÉ DROIT, COIN EXTERNE : 1. Bord supérieur de la moulure contre le guide 2. Table d'onglet réglée à droite à 31,62° 3. Conservez l'extrémité droite de la coupe

REMARQUE : lorsqu'on ajuste les angles de biseau et d'onglet pour tous les onglets combinés, se rappeler que les angles possibles pour les moulures couronnées sont très précis et difficiles à ajuster avec exactitude. Comme elles peuvent bouger légèrement et que très peu de pièces ont des coins formant un angle droit parfait, **tous les réglages devraient être testés sur des rebuts de moulure.**



IL EST EXTRÊMEMENT IMPORTANT D'EFFECTUER UN TEST SUR UN REBUT !

Méthode alternative pour couper une moulure couronnée

Placez la moulure à un angle entre le guide 11 et la table de scie 47, avec le bord supérieur de la moulure sur la table et le bord inférieur sur le guide, comme illustré en Figure U.

L'avantage d'utiliser cette technique de coupe de moulures couronnées, c'est qu'aucune coupe en biseau n'est requise. Des changements minimes au niveau de l'angle d'onglet peuvent être faits sans affecter l'angle de biseau. De cette façon, lorsqu'on rencontre des coins autres qu'à 90°, la scie peut être rapidement et facilement ajustée pour les accommoder.

Instructions pour découper des moulures couronnées obliques entre le guide et la base de la scie pour toute coupe

Cette scie peut couper des moulures couronnées encastrées jusqu'à 14 mm (9/16 po) x 92 mm (3-5/8 po).

1. Orientez la moulure de façon à ce que le bord inférieur (la partie contre le mur à l'installation) soit contre le guide 11 et le bord supérieur repose sur la table de scie 47, comme illustré en Figure T.
2. Les facettes angulaires à l'arrière de la moulure doivent reposer à angle droit contre le guide et la table de scie.

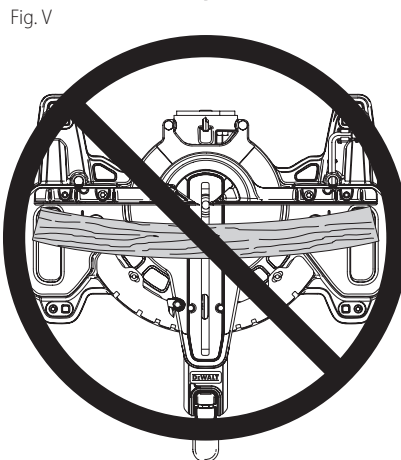
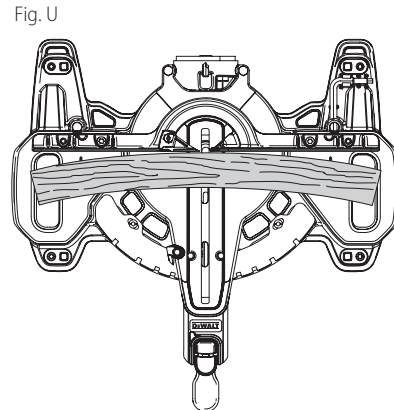
	COIN INTERNE	COIN EXTERNE
Côté gauche	Onglet droit à 45° Conserver l'extrémité droite de la coupe	Onglet gauche à 45° Conserver l'extrémité droite de la coupe
Côté droit	Onglet gauche à 45° Conserver l'extrémité gauche de la coupe	Onglet droit à 45° Conserver l'extrémité gauche de la coupe

Coupes particulières

NE JAMAIS FAIRE AUCUNE COUPE SANS QUE LE MATÉRIAU NE SOIT SOIGNEUSEMENT ARRIMÉ SUR LA TABLE ET CONTRE LE GUIDE.

Matériaux arqués (Fig. U, V)

Pour couper des matériaux arqués, positionnez-les systématiquement comme illustré en Figure U, et jamais comme illustré en Figure V. Le positionnement incorrect du matériau grippera la lame en fin de coupe.



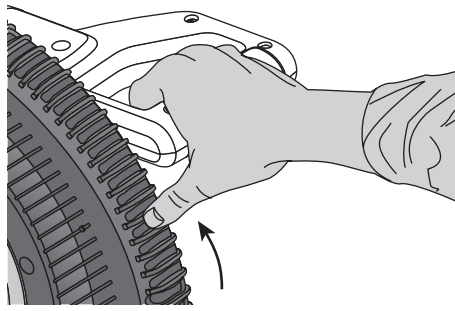
Coupe de matériaux arrondis

les matériaux arrondis doivent être arrimés ou fermement maintenus contre le guide pour IES empêcher de rouler. C'est extrêmement important lors de coupes angulaires.

Découpe de larges matériaux (Fig. W)

Occasionnellement vous rencontrerez une pièce de bois un peu trop épaisse pour rentrer sous le carter inférieur. Pour que le carter ne touche pas le bois, alors que la scie est arrêtée et que votre main droite se trouve sur la poignée d'utilisation, placez votre pouce droit sur le bord supérieur du carter et poussez-le vers le haut, juste assez pour qu'il ne touche pas le bois, comme illustré en Figure W. Libérez le carter avant de démarrer le moteur. Le mécanisme du carter fonctionnera correctement pendant la coupe. N'effectuez cette opération que si nécessaire. **NE JAMAIS ATTACHER, COLLER OU MAINTENIR DE TOUTE AUTRE FAÇON LE CARTER OUVERT PENDANT L'UTILISATION DE LA SCIE.**

Fig. W



MAINTENANCE

AVERTISSEMENT : pour réduire le risque de blessures corporelles graves, éteindre l'outil et retirer le bloc-piles avant de le transporter, d'effectuer tout réglage, d'enlever ou d'installer tout accessoire. Un démarrage accidentel pourrait provoquer des blessures.

AVERTISSEMENT : pour réduire le risque de blessures corporelles graves, NE PAS toucher les pointes tranchantes de la lame avec les doigts ou les mains au moment d'effectuer l'entretien.

N'employez pas les lubrifiants ou les décapants (en particulier jet ou aérosol) à proximité de la garde de plastique. La matière de polycarbonate employée dans la garde est sujette à l'attaque par certains produits chimiques.

- Tous les roulements sont scellés. Ils sont lubrifiés à vie et n'ont besoin d'aucun entretien supplémentaire.
- Retirez régulièrement toute la poussière et tous les copeaux de bois situés autour ET SOUS la base et la table rotative. Même si des emplacements sont prévus pour permettre l'évacuation de débris, de la poussière s'accumule.
- Les balais ont été conçus pour une utilisation de plusieurs années. S'il est nécessaire de les changer, apportez l'outil au centre de réparation le plus proche.

Nettoyage

AVERTISSEMENT : enlever les saletés et la poussière hors des événements au moyen d'air comprimé propre et sec, au moins une fois par semaine. Pour minimiser le risque de blessure aux yeux, toujours porter une protection oculaire conforme à la norme ANSI Z87.1 lors du nettoyage.

AVERTISSEMENT : ne jamais utiliser de solvants ni d'autres produits chimiques puissants pour nettoyer les pièces non métalliques de l'outil. Ces produits chimiques peuvent affaiblir les matériaux de plastique utilisés dans ces pièces. Utiliser un chiffon humecté uniquement d'eau et de savon doux. Ne jamais laisser de liquide pénétrer dans l'outil et n'immerger aucune partie de l'outil dans un liquide.

Entretien de la conduite à poussière

Suivant l'environnement de coupe, la sciure pourrait boucher la conduite à poussière empêchant ainsi l'élimination correcte de la poussière de la zone de coupe. Une fois le bloc-piles retiré, et la tête de scie complètement relevée, utilisez de l'air comprimé, faible intensité, ou une tige de large diamètre pour déboucher la conduite à poussière.

Accessoires

AVERTISSEMENT : puisque les accessoires autres que ceux offerts par DeWALT n'ont pas été testés avec ce produit, leur utilisation pourrait s'avérer dangereuse. Pour réduire le risque de blessures, utiliser exclusivement les accessoires DeWALT recommandés avec le présent produit.

Les accessoires recommandés pour cet outil sont vendus séparément au centre de service de votre région. Pour obtenir de l'aide concernant l'achat d'un accessoire, communiquer avec DeWALT Industrial Tool Co., 701 East Joppa Road, Towson, MD 21286 aux États-Unis; composer le 1 800 433-9258 (1 800 4-DeWALT) ou visiter notre site Web : www.dewalt.com.

Réparations

Le chargeur et le bloc-piles ne sont pas réparables.

AVERTISSEMENT : pour assurer la SÉCURITÉ et la FIABILITÉ du produit, les réparations, l'entretien et les réglages doivent être réalisés (cela comprend l'inspection et le remplacement du balai, le cas échéant) par un centre de réparation en usine DeWALT ou un centre de réparation agréé DeWALT. Toujours utiliser des pièces de rechange identiques.

Registre en ligne

Merci pour votre achat. Enregistrez dès maintenant votre produit:

- **RÉPARATIONS SOUS GARANTIE:** cette carte remplie vous permettra de vous prévaloir du service de réparations sous garantie de façon plus efficace dans le cas d'un problème avec le produit.
- **CONFIRMATION DE PROPRIÉTÉ:** en cas de perte provoquée par un incendie, une inondation ou un vol, cette preuve de propriété vous servira de preuve auprès de votre compagnie d'assurances.

- **SÉCURITÉ:** l'enregistrement de votre produit nous permettra de communiquer avec vous dans l'éventualité peu probable de l'envoi d'un avis de sécurité régi par la loi fédérale américaine de la protection des consommateurs.

Registrez en ligne à www.dewalt.com/register.

Garantie limitée de trois ans

DeWALT réparera, sans frais, tout produit défectueux causé par un défaut de matériel ou de fabrication pour une période de trois ans à compter de la date d'achat. La présente garantie ne couvre pas les pièces dont la défectuosité a été causée par une usure normale ou l'usage abusif de l'outil. Pour obtenir de plus amples renseignements sur les pièces ou les réparations couvertes par la présente garantie, visiter le site www.dewalt.com ou composer le 1 800 433-9258 (1 800 4-DeWALT). CETTE GARANTIE LIMITÉE REMPLACE TOUTE AUTRE GARANTIE, Y COMPRIS TOUTE GARANTIE IMPLICITE DE QUALITÉ MARCHANDE OU DE CONFORMITÉ À DES FINS PARTICULIÈRES, ET EXCLUT TOUT DOMMAGE ACCESSOIRE OU INDIRECT. Certains états n'autorisent aucune limitation quant à la durée d'une garantie implicite ni aucune exclusion ou limitation de garantie contre tout préjudice accessoire ou indirect, aussi il se peut que ces exclusions ne vous soient pas applicables. Cette garantie confère des droits légaux particuliers à l'acheteur, mais celui-ci pourrait aussi bénéficier d'autres droits variant d'un territoire à l'autre.

En plus de la présente garantie, les outils DeWALT sont couverts par notre :

CONTRAT D'ENTRETIEN GRATUIT D'UN AN

DeWALT entretiendra l'outil et remplacera les pièces usées au cours d'une utilisation normale et ce, gratuitement, pendant une période d'un an à compter de la date d'achat.

CONTRAT D'ENTRETIEN GRATUIT DE DEUX ANS SUR LES BLOC-PILES DeWALT

DC9071, DC9091, DC9096, DC9182, DC9280, DC9360, DCB120, DCB127, DCB201, DCB203, DCB203BT, DCB207, DCB361

CONTRAT D'ENTRETIEN GRATUIT DE TROIS ANS SUR LES BLOC-PILES DeWALT

DCB200, DCB204, DCB204BT, DCB205, DCB205BT, DCB206, DCB606, DCB609

REMARQUE : La garantie de ce produit sera annulée si le bloc-piles a été altéré de quelque façon que ce soit. DeWALT ne peut être tenu responsable de tout dommage corporel causé par l'altération du produit et pourra poursuivre toute fraude en matière de garantie dans toute l'étendue permise par la loi.

GARANTIE DE REMBOURSEMENT DE 90 JOURS

Si l'acheteur n'est pas entièrement satisfait, pour quelque raison que ce soit, du rendement de l'outil électrique, du laser ou de la cloueuse DeWALT, celui-ci peut le retourner, accompagné d'un reçu, dans les 90 jours à compter de la date d'achat pour obtenir un remboursement intégral, sans aucun problème.

AMÉRIQUE LATINE : cette garantie ne s'applique aux produits vendus en Amérique latine. Pour ceux-ci, veuillez consulter les informations relatives à la garantie spécifique présente dans l'emballage, appeler l'entreprise locale ou consulter le site Web pour les informations relatives à cette garantie.

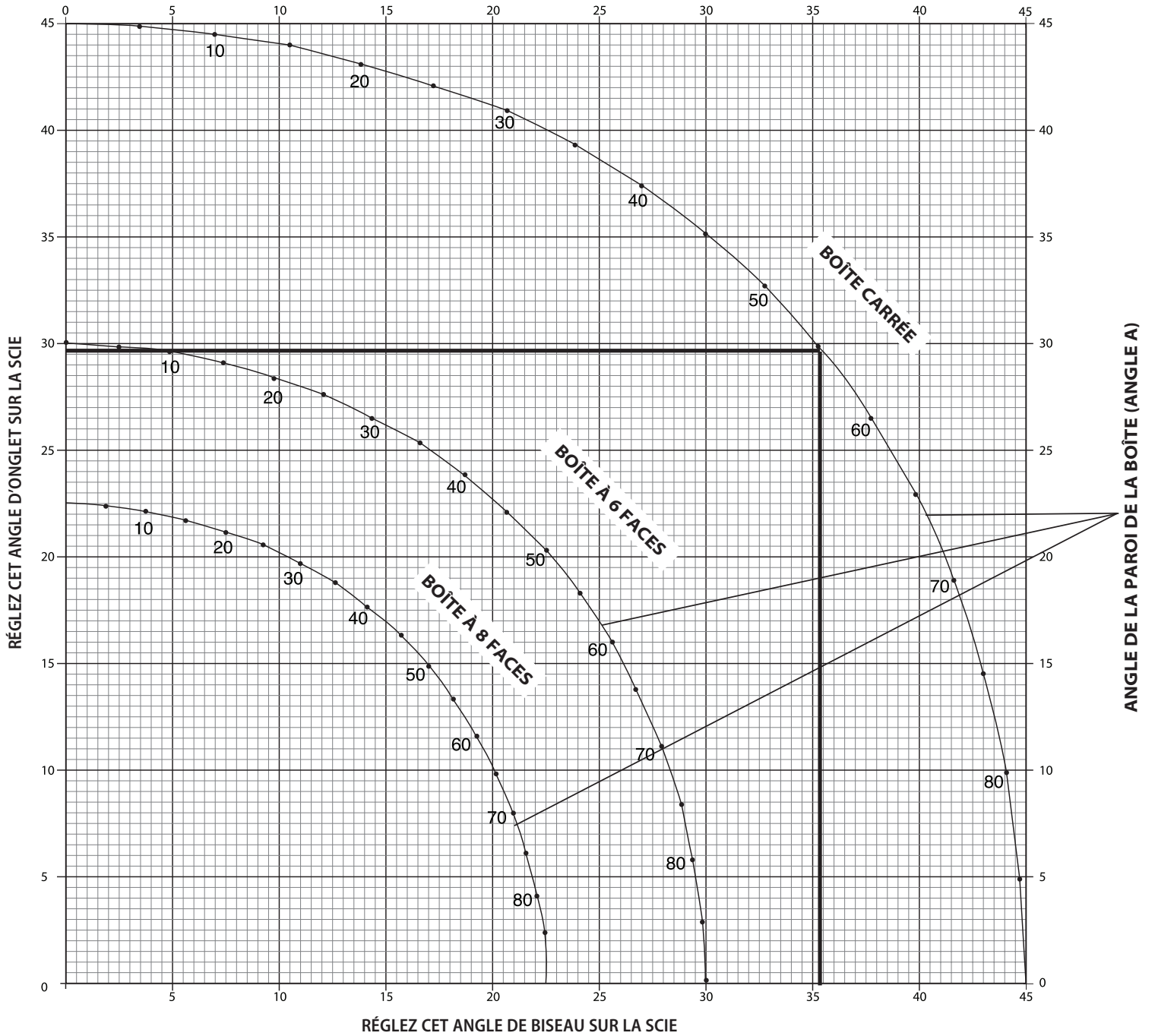
REMPLACEMENT GRATUIT DES ÉTIQUETTES D'AVERTISSEMENT : si les étiquettes d'avertissement deviennent illisibles ou sont manquantes, composer le 1 800 433-9258 (1 800 4-DeWALT) pour en obtenir le remplacement gratuit.

Guide de dépannage

VEILLEZ À SUIVRE LES RÈGLES ET CONSIGNES DE SÉCURITÉ





PROBLÈME !	QUEL EST LE PROBLÈME ?	QUE FAIRE...
La scie ne démarre pas	Le bloc-piles n'est pas installé	Installer le bloc-piles. Se reporter à la section Installation et retrait du bloc-piles .
	Le bloc-piles n'est pas chargé	Charger le bloc-piles. Se reporter à la section Procédure de charge .
	Les balais sont usés	Faire remplacer les balais chez un centre de réparation autorisé.
Les découpes effectuées par la scie ne sont pas satisfaisantes	Lame émoussée	Remplacez la lame. Consulter Changement ou pose d'une nouvelle lame de scie .
	Lame montée à l'envers	Renversez la lame. Consulter Changement ou pose d'une nouvelle lame de scie .
	Gomme ou résine sur la lame	Retirez la lame et nettoyez avec de la laine d'acier grossière et de la térébenthine ou un nettoyant ménager pour four.
	Lame inadéquate pour le travail effectué	Changez de type de lame. Consulter Description Des Lames sous Accessoires facultatifs .
La lampe de travail CUTLINE clignote	Le bloc-piles n'est pas chargé	Charger le bloc-piles. Se reporter à la section Procédure de charge .
La lame n'atteint pas son plein régime	La rallonge est trop légère ou trop longue	Remplacez-la par une rallonge de taille adéquate. Consulter Calibre minimum pour rallonge sous Consignes de sécurité importantes .
	Courant domestique trop bas	Contactez votre fournisseur d'électricité.
La scie vibre démesurément	La scie n'est pas correctement fixée sur le tréteau ou l'établi	Vissez bien tout le matériel d'assemblage. Consulter Montage sur établi .
	Le tréteau ou l'établi est sur un sol irrégulier	Repositionnez-le sur une surface plane. Consulter Familiarisation .
	Lame de scie endommagée	Remplacez la lame. Consulter Changement ou pose d'une nouvelle lame de scie .
La scie ne coupe pas bien les onglets	L'échelle d'onglet n'est pas correctement réglée	Vérifiez et ajustez. Consulter Réglage de l'échelle d'onglet sous Réglages .
	La lame n'est pas d'équerre par rapport au guide	Vérifiez et ajustez. Consulter Réglage de l'échelle d'onglet sous Réglages .
	La lame n'est pas perpendiculaire à la table	Vérifiez et ajustez le guide. Consulter Ajustement d'une fausse équerre à la table sous Réglages .
	La pièce à découper se déplace	Fixez-la au guide ou collez du papier abrasif de calibre 120 sur le guide à l'aide de colle de caoutchouc
	Plaque de trait usée ou endommagée	L'apporter chez centre de réparation agréé.
Le matériau pince la lame	Découpe de matériau arqué	Consulter Matériau arqué sous Découpes spéciales .

TABLEAU 1 COUPE À ONGLET MIXTE
(POSITIONNEZ LE MORCEAU DE BOIS AVEC LE LARGE CÔTÉ PLAT CONTRE LA TABLE ET L'ARÊTE ÉTROITE CONTRE LE GUIDE.)



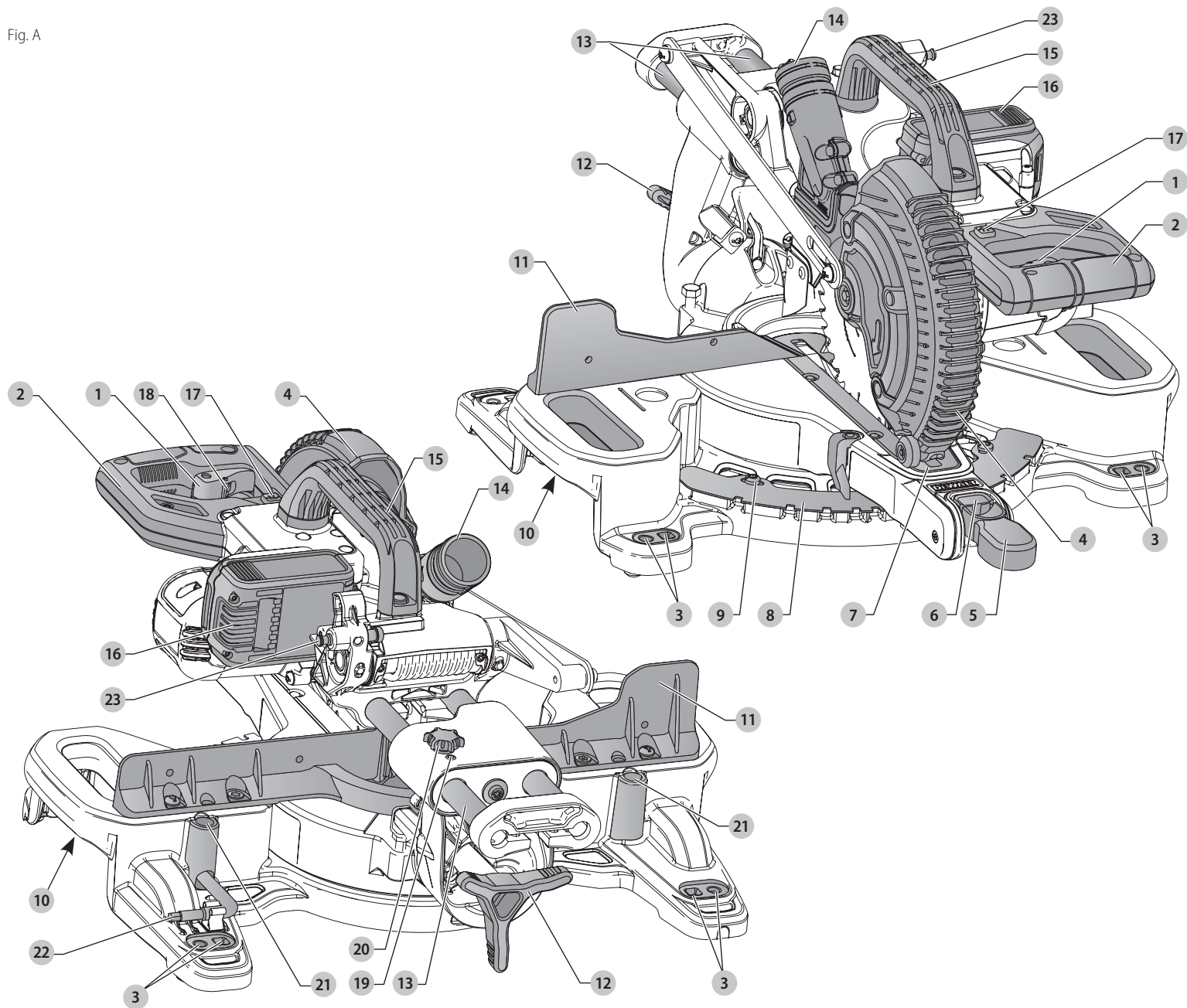
Definiciones: Símbolos y palabras de alerta de seguridad

Este manual de instrucciones utiliza los siguientes símbolos y palabras de alerta de seguridad para alertarle de situaciones peligrosas y del riesgo de lesiones corporales o daños materiales.


-  **PELIGRO:** Indica una situación de peligro inminente que, si no se evita, provocará **la muerte o lesiones graves**.
-  **ADVERTENCIA:** Indica una situación de peligro potencial que, si no se evita, **podría** provocar **la muerte o lesiones graves**.
-  **ATENCIÓN:** Indica una situación de peligro potencial que, si no se evita, **posiblemente** provocaría **lesiones leves o moderadas**.
-  (Utilizado sin palabras) indica un mensaje de seguridad relacionado.

AVISO: Se refiere a una práctica **no relacionada a lesiones corporales** que de no evitarse **puede** resultar en **daños a la propiedad**.

Fig. A



- | | |
|----------------------------------|--|
| 1 Interruptor de gatillo | 13 Rieles |
| 2 Mango de operación | 14 Tubo de descarga de polvo |
| 3 Orificios de montaje | 15 Asa para levantar |
| 4 Protector inferior | 16 Batería |
| 5 Perilla de fijación de inglete | 17 Interruptor momentáneo de la luz de trabajo CUTLINE |
| 6 Botón de seguro de corte | 18 Palanca de bloqueo en apagado |
| 7 Placa indicadora de corte | 19 Tornillo de ajuste de riel |
| 8 Escala de inglete | 20 Perilla de bloqueo del riel |
| 9 Tornillos de escala de inglete | 21 Orificio de montaje de abrazadera |
| 10 Asideros | 22 Llave para la hoja |
| 11 Guía | 23 Clavija de bloqueo |
| 12 Perilla de fijación de bisel | |

 **¡ADVERTENCIA!** Lea todas las advertencias de seguridad e instrucciones. El incumplimiento de las advertencias e instrucciones puede provocar descargas eléctricas, incendios o lesiones graves.

 **ADVERTENCIA:** Para reducir el riesgo de lesiones, lea el manual de instrucciones.

Si tiene alguna duda o algún comentario sobre ésta u otra herramienta DEWALT, llámenos al número gratuito: 1-800-4-DEWALT (1-800-433-9258).

ADVERTENCIAS GENERALES DE SEGURIDAD PARA HERRAMIENTAS ELÉCTRICAS

! ¡ADVERTENCIA! Lea todas las advertencias de seguridad e instrucciones. El incumplimiento de las advertencias e instrucciones puede provocar descargas eléctricas, incendios o lesiones graves.

CONSERVE TODAS LAS ADVERTENCIAS E INSTRUCCIONES PARA FUTURAS CONSULTAS

El término "herramienta eléctrica" incluido en las advertencias hace referencia a las herramientas eléctricas operadas con corriente (con cable eléctrico) o a las herramientas eléctricas operadas con baterías (inalámbricas).

1) Seguridad en el Área de Trabajo

- Mantenga el área de trabajo limpia y bien iluminada. Las áreas abarrotadas y oscuras propician accidentes.
- No opere las herramientas eléctricas en atmósferas explosivas, como ambientes donde haya polvo, gases o líquidos inflamables. Las herramientas eléctricas originan chispas que pueden encender el polvo o los vapores.
- Mantenga alejados a los niños y a los espectadores de la herramienta eléctrica en funcionamiento. Las distracciones pueden provocar la pérdida de control.

2) Seguridad Eléctrica

- Los enchufes de la herramienta eléctrica deben adaptarse al tomacorriente. Nunca modifique el enchufe de ninguna manera. No utilice ningún enchufe adaptador con herramientas eléctricas con conexión a tierra. Los enchufes no modificados y que se adaptan a los tomacorrientes reducirán el riesgo de descarga eléctrica.
- Evite el contacto corporal con superficies con descargas a tierra como, por ejemplo, tuberías, radiadores, cocinas eléctricas y refrigeradores. Existe mayor riesgo de descarga eléctrica si su cuerpo está puesto a tierra.
- No exponga las herramientas eléctricas a la lluvia o a condiciones de humedad. Si entra agua a una herramienta eléctrica, aumentará el riesgo de descarga eléctrica.
- No maltrate el cable. Nunca utilice el cable para transportar, tirar o desencharfar la herramienta eléctrica. Mantenga el cable alejado del calor, el aceite, los bordes filosos y las piezas móviles. Los cables dañados o enredados aumentan el riesgo de descarga eléctrica.
- Al operar una herramienta eléctrica en el exterior, utilice un cable prolongador adecuado para tal uso. Utilice un cable adecuado para uso en exteriores a fin de reducir el riesgo de descarga eléctrica.
- Si el uso de una herramienta eléctrica en un lugar húmedo es imposible de evitar, utilice un suministro protegido con un interruptor de circuito por falla a tierra (GFCI). El uso de un GFCI reduce el riesgo de descargas eléctricas.

3) Seguridad Personal

- Permanezca alerta, controle lo que está haciendo y utilice el sentido común cuando emplee una herramienta eléctrica. No utilice una herramienta eléctrica si está cansado o bajo el efecto de drogas, alcohol o medicamentos. Un momento de descuido mientras se opera una herramienta eléctrica puede provocar lesiones personales graves.
- Utilice equipos de protección personal. Siempre utilice protección para los ojos. En las condiciones adecuadas, el uso de equipos de protección, como máscaras para polvo, calzado de seguridad antideslizante, cascos o protección auditiva, reducirá las lesiones personales.
- Evite el encendido por accidente. Asegúrese de que el interruptor esté en la posición de apagado antes de conectarlo a la fuente de energía o paquete de baterías, o antes de levantar o transportar la herramienta. Transportar herramientas eléctricas con el dedo apoyado en el interruptor o enchufar herramientas eléctricas con el interruptor en la posición de encendido puede propiciar accidentes.
- Retire la clavija de ajuste o la llave de tuercas antes de encender la herramienta eléctrica. Una llave de tuercas o una clavija de ajuste que quede conectada a una pieza giratoria de la herramienta eléctrica puede provocar lesiones personales.
- No se estire. Conserve el equilibrio y párese adecuadamente en todo momento. Esto permite un mejor control de la herramienta eléctrica en situaciones inesperadas.
- Use la vestimenta adecuada. No use ropas holgadas ni joyas. Mantenga el cabello, la ropa y los guantes alejados de las piezas en movimiento. Las ropas holgadas, las joyas o el cabello largo pueden quedar atrapados en las piezas en movimiento.
- Si se suministran dispositivos para la conexión de accesorios con fines de recolección y extracción de polvo, asegúrese de que estén conectados y que se utilicen correctamente. El uso de dispositivos de recolección de polvo puede reducir los peligros relacionados con el polvo.
- No se confíe e ignore los principios de seguridad de la herramienta por estar familiarizado con las herramientas debido a su uso frecuente. Una acción descuidada puede ocasionar una lesión grave en una fracción de segundo.

4) Uso y Mantenimiento de la Herramienta Eléctrica

- No fuerce la herramienta eléctrica. Utilice la herramienta eléctrica correcta para el trabajo que realizará. Si se la utiliza a la velocidad para la que fue diseñada, la herramienta eléctrica correcta permite trabajar mejor y de manera más segura.

- No utilice la herramienta eléctrica si no puede encenderla o apagarla con el interruptor. Toda herramienta eléctrica que no pueda ser controlada mediante el interruptor es peligrosa y debe repararse.
- Desconecte el enchufe de la fuente de energía o el paquete de baterías de la herramienta eléctrica antes de realizar ajustes, cambiar accesorios o almacenar la herramienta eléctrica. Estas medidas de seguridad preventivas reducen el riesgo de encender la herramienta eléctrica en forma accidental.
- Guarde la herramienta eléctrica que no esté en uso fuera del alcance de los niños y no permita que otras personas no familiarizadas con ella o con estas instrucciones operen la herramienta. Las herramientas eléctricas son peligrosas si son operadas por usuarios no capacitados.
- Realice el mantenimiento de las herramientas eléctricas. Revise que no haya piezas en movimiento mal alineadas o trabadas, piezas rotas o cualquier otra situación que pueda afectar el funcionamiento de la herramienta eléctrica. Si encuentra daños, haga reparar la herramienta eléctrica antes de utilizarla. Se producen muchos accidentes a causa de las herramientas eléctricas que carecen de un mantenimiento adecuado.
- Mantenga las herramientas de corte afiladas y limpias. Las herramientas de corte con mantenimiento adecuado y con los bordes de corte afilados son menos propensas a trabarse y son más fáciles de controlar.
- Utilice la herramienta eléctrica, los accesorios y las brocas de la herramienta, etc. de acuerdo con estas instrucciones y teniendo en cuenta las condiciones de trabajo y el trabajo que debe realizarse. El uso de la herramienta eléctrica para operaciones diferentes de aquéllas para las que fue diseñada podría originar una situación peligrosa. Tool for operations different from those intended could result in a hazardous situation.
- Mantenga las manijas y superficies de sujeción secas, limpias y libres de aceite y grasa. Las manijas y superficies de agarre resbaladizas no permiten el manejo y control seguros de la herramienta en situaciones inesperadas.

5) Uso y Mantenimiento de la Herramienta con Baterías

- Recargue solamente con el cargador especificado por el fabricante. Un cargador adecuado para un tipo de paquete de baterías puede originar riesgo de incendio si se utiliza con otro paquete de baterías.
- Utilice herramientas eléctricas sólo con paquetes de baterías específicamente diseñados. El uso de cualquier otro paquete de baterías puede producir riesgo de incendio y lesiones.
- Cuando no utilice el paquete de baterías, manténgalo lejos de otros objetos metálicos como sujetapapeles, monedas, llaves, clavos, tornillos u otros objetos metálicos pequeños que puedan realizar una conexión desde un terminal al otro. Los cortocircuitos en los terminales de la batería pueden provocar quemaduras o incendio.
- En condiciones abusivas, el líquido puede ser expulsado de la batería. Evite su contacto. Si entra en contacto accidentalmente, enjuague con agua. Si el líquido entra en contacto con los ojos, busque atención médica. El líquido expulsado de la batería puede provocar irritación o quemaduras.
- No utilice una batería o herramienta que esté dañada o modificada. Las baterías dañadas o modificadas pueden funcionar de forma imprevisible y ocasionar un incendio, explosión o riesgo de lesión.
- No exponga una batería o herramienta al fuego ni a una temperatura excesiva. La exposición al fuego o a una temperatura superior a los 130 °C puede ocasionar una explosión.
- Siga todas las instrucciones de carga y no cargue la batería o la herramienta fuera del rango de temperatura especificado en las instrucciones. La carga inadecuada o a temperaturas fuera del rango especificado puede dañar la batería e incrementar el riesgo de incendio.

6) Mantenimiento

- Solicite a una persona calificada en reparaciones que realice el mantenimiento de su herramienta eléctrica y que sólo utilice piezas de repuesto idénticas. Esto garantizará la seguridad de la herramienta eléctrica.

Instrucciones de seguridad para las sierras ingleteadoras

- Las sierras ingleteadoras están diseñadas para cortar madera o productos parecidos a la madera, no pueden utilizarse con discos de corte abrasivos para cortar metales ferrosos como barras, pies derechos, etc. El polvo abrasivo hace que se atasquen las piezas en movimiento como por ejemplo el protector inferior. Las chispas del corte abrasivo quemarán el protector inferior, el accesorio de inserción de la línea de corte y otras piezas de plástico.
- Use abrazaderas para sujetar la pieza de trabajo siempre que sea posible. Si sujeta la pieza de trabajo con la mano, debe siempre mantener la mano como mínimo a 100 mm de ambos lados de la hoja de la sierra. No utilice esta sierra para cortar trozos que sean demasiado pequeños para estar bien sujetos con abrazaderas o sostenidos con la mano. Si coloca la mano demasiado cerca de la hoja de la sierra, hay mayor riesgo de lesiones por el contacto con la hoja.
- La pieza de trabajo tiene que estar estacionaria y sujeta con abrazaderas o sostenida contra la guía y la mesa. No alimente la pieza de trabajo a la hoja ni corte "a mano alzada" de ningún modo. Las piezas de trabajo no sujetas o que se muevan podrían salir despedidas a altas velocidades y ocasionar una lesión.

- **Empuje la sierra a través de la pieza de trabajo. No jale la sierra a través de la pieza de trabajo. Para realizar un corte, levante el cabezal de la sierra y jale hacia afuera colocándolo sobre la pieza de trabajo sin cortar, ponga en marcha el motor, presione hacia abajo el cabezal de la sierra y empuje la sierra a través de la pieza de trabajo.** Al cortar durante el jalado hay probabilidades de que la hoja de la sierra salte por encima de la pieza de trabajo y haga que la unidad de la hoja salga disparada violentamente hacia el operador.
- **No cruce nunca las manos sobre la línea de corte prevista, ya sea delante o detrás de la hoja de la sierra.** Apoyar la pieza de trabajo con "las manos cruzadas", por ejemplo sujetando la pieza de trabajo hacia la derecha de la hoja de la sierra con la mano izquierda o viceversa es muy peligroso.
- **No extienda las manos por detrás de la guía acercándose más de 100 mm de ambos lados de la hoja de la sierra, para extraer restos de madera o por cualquier otra razón mientras la hoja esté en movimiento.** La proximidad de la hoja de la sierra en movimiento con la mano quizás no sea obvia y puede lesionarse gravemente.
- **Inspeccione la pieza de trabajo antes de cortar. Si la pieza de trabajo está arqueada o combada, sujétela con la parte arqueada exterior hacia la guía. Asegúrese siempre de que no haya separación entre la pieza de trabajo, la guía y la mesa a lo largo de la línea del corte.** Las piezas de trabajo torcidas o combadas pueden girarse o moverse y hacer que se atasque la hoja de la sierra en movimiento mientras se está cortando. No debe haber clavos ni objetos extraños en la pieza de trabajo.
- **No utilice la sierra hasta que la mesa esté despejada de todas las herramientas, restos de madera, etc., excepto la pieza de trabajo.** Pequeños residuos o piezas sueltas de madera u otros objetos que estén en contacto con la hoja en movimiento pueden salir disparados a gran velocidad.
- **Corte las piezas de trabajo solamente una a una.** Varias piezas de trabajo apiladas no pueden sujetarse o soportarse adecuadamente y pueden atascarse en la hoja o moverse durante la operación de corte.
- **Asegúrese que la sierra ingleteadora esté montada o colocada en una superficie de trabajo firme y nivelada antes de utilizarla.** Una superficie de trabajo nivelada y firme reduce el riesgo de que la sierra ingleteadora se desestabilice.
- **Planee su trabajo. Cada vez que cambie la posición del ángulo de bisel o inglete, asegúrese de que la guía no obstaculice la hoja o el sistema de protección.** Sin encender la herramienta y sin ninguna pieza de trabajo sobre la mesa, mueva la hoja de la sierra como si estuviera realizando un corte completo para asegurarse de que no habrá ningún obstáculo ni peligro de cortar la guía.
- **Proporcione un apoyo adecuado como por ejemplo extensiones de la mesa, banquetas de aserrado, etc. para las piezas de trabajo que sean más anchas o largas que la superficie de la mesa.** Las piezas de trabajo más largas o anchas que la mesa de la sierra ingleteadora pueden volcarse si no están bien apoyadas. Si la pieza cortada o la pieza de trabajo se vuelca, puede levantar el protector inferior o salir disparada impulsada por la hoja en movimiento.
- **No utilice otra persona para reemplazar una extensión de mesa o como apoyo adicional.** El apoyo inestable de una pieza de trabajo puede hacer que la hoja se atasque o que la pieza de trabajo se mueva durante la operación de corte tirando de usted y el ayudante hacia la hoja en movimiento.
- **La pieza cortada no debe atascarse o empujarse de ningún modo contra la hoja de la sierra en movimiento.** Si el espacio es limitado, por ejemplo si se usan topes de longitud, la pieza cortada podría quedarse atrapada contra la hoja y salir disparada violentamente.
- **Utilice siempre una abrazadera o un accesorio diseñado para apoyar adecuadamente el material redondo como las varillas o tubos.** Las varillas tienen tendencia a rodar mientras están siendo cortadas, lo cual hace que la hoja se trabe y jale la pieza de trabajo y su mano hacia la hoja misma.
- **Deje que la hoja llegue a la velocidad máxima antes de que entre en contacto con la pieza de trabajo.** Así se reducirá el riesgo de que la pieza de trabajo salga disparada.
- **Si la pieza de trabajo o la hoja se atascan, apague la sierra ingleteadora. Espere a que se detengan todas las piezas en movimiento y desconecte el enchufe de la fuente de alimentación y/o extraiga la batería. Luego desatásque el material atascado.** Seguir cortando con una pieza de trabajo atascada podría ocasionar una pérdida de control o dañar la sierra ingleteadora.
- **Después de realizar el corte, suelte el interruptor, sujete la sierra con el cabezal hacia abajo y espere a que la hoja se detenga antes de sacar la pieza cortada.** Alcanzar con la mano cerca de la hoja que gira por inercia es peligroso.
- **Sujete el asa firmemente cuando realice un corte incompleto o cuando libere el interruptor antes de que el cabezal de la sierra esté totalmente en posición hacia abajo.** La acción de freno de la hoja puede ocasionar que el cabezal de la sierra sea jalado hacia abajo y cause un riesgo de lesión.
- **OBTENGA CONSEJO** de su supervisor, instructor u otra persona calificada si no está totalmente familiarizado con el funcionamiento de esta máquina. El conocimiento es sinónimo de seguridad.
- **SIGA TODOS LOS CÓDIGOS DE INSTALACIÓN ELÉCTRICA** y realice las conexiones eléctricas recomendadas para evitar producir descargas eléctricas o electrocución. Proteja la línea de abastecimiento eléctrico con un fusible de acción retardada de 15 amperios o un interruptor de circuito, como mínimo.
- **ASEGÚRESE** de que la hoja gire en la dirección correcta. Los dientes de la hoja deberían apuntar a la dirección de la rotación según se marca en la sierra.
- **APIRIETE TODOS LOS MANGOS DE SUJECCIÓN**, las perillas y las palancas antes de poner en funcionamiento la máquina. Las abrazaderas sueltas pueden hacer que algunas piezas o la pieza de trabajo salgan disparadas a gran velocidad.
- **ASEGÚRESE** de que la hoja y las abrazaderas de la hoja estén limpias, de que los bordes hundidos de las abrazaderas de la hoja estén apoyados contra la hoja y que el tornillo de eje esté bien apretado. Si la hoja está suelta o no está bien sujeta pueden ocasionarse daños a la sierra y lesiones corporales.
- **NO PONGA EN FUNCIONAMIENTO LA SIERRA CON UN VOLTAGE DIFERENTE A AQUEL PARA EL CUAL FUE DISEÑADA;** Pueden producirse un sobrecalentamiento, daños a la herramienta y lesiones corporales.
- **NO ENCAJE NADA CONTRA EL VENTILADOR** para detener el eje del motor. Pueden producirse daños a la herramienta y lesiones corporales.
- **NO CORTE NUNCA METALES** ni mampostería. El corte de estos materiales puede hacer que las puntas de carburo salgan volando de la hoja a gran velocidad y causen lesiones graves.
- **NO TENGA NUNCA NINGUNA PARTE DEL CUERPO EN LA LÍNEA DE LA TRAYECTORIA DE LA HOJA DE LA SIERRA.** Se producirán lesiones corporales.
- **NO APLIQUE NUNCA LUBRICANTE PARA HOJAS A UNA HOJA EN MOVIMIENTO.** Aplicar lubricante podría hacer que su mano entre en contacto con la hoja, lo cual resultaría en graves lesiones.
- Cuando la sierra esté conectada al suministro eléctrico **NO** ponga las manos en el área de la hoja. La activación de la hoja sin querer puede ocasionar graves lesiones.
- **NO EXTIENDA NUNCA LA MANO ALREDEDOR O POR DETRÁS DE LA HOJA DE LA SIERRA.** La hoja puede causar lesiones graves.
- **NO EXTIENDA NUNCA LA MANO POR DEBAJO DE LA SIERRA** a menos que esté desenchufada y apagada. El contacto con la hoja de la sierra puede causar lesiones corporales.
- **ASEGURE LA MÁQUINA A UNA SUPERFICIE DE APOYO ESTABLE.** La vibración podría hacer que la máquina se deslice, se mueva o se vuelque, lo cual podría ocasionar graves lesiones.
- **USE SOLAMENTE LAS HOJAS PARA CORTES TRANSVERSALES** recomendadas para las sierras ingleteadoras. Para obtener los mejores resultados, no use hojas con punta de carburo con ángulos en gancho superiores a 7 grados. No utilice hojas con hendiduras profundas. Estas pueden desviarse y entrar en contacto con el protector y pueden dañar la máquina y/o producir lesiones graves.
- **USE SÓLO HOJAS DEL TAMAÑO Y TIPO CORRECTOS** especificados para esta herramienta con el fin de evitar daños a la máquina y lesiones graves.
- **INSPECCIONE LA HOJA PARA DETERMINAR SI TIENE GRIETAS** u otros daños antes de utilizarla. Una hoja agrietada o dañada puede romperse y los trozos pueden salir disparados a gran velocidad y causar lesiones graves. Reemplace las hojas agrietadas o dañadas de inmediato.
- **LIMPIE LA HOJA Y LAS ABRAZADERAS DE LA HOJA** antes de poner la máquina en marcha. Limpiar la hoja y las abrazaderas de la hoja le permite comprobar si la hoja o sus abrazaderas están dañadas. Una hoja o abrazadera de hoja agrietada o dañada puede romperse y los trozos pueden salir disparados a gran velocidad y causar lesiones graves.
- **NO USE HOJAS COMBADAS.** Compruebe si la hoja funciona bien y sin vibraciones. Una hoja que vibra puede dañar la máquina y/o causar lesiones graves.
- **NO** use lubricantes o productos de limpieza (especialmente en spray o aerosol) cerca del protector de plástico. El material de policarbonato utilizado en el protector está sujeto a ataques por ciertas sustancias químicas.
- **MANTENGA EL PROTECTOR EN SU SITIO** y en buen estado.
- **USE SIEMPRE LA PLACA INDICADORA DE CORTE Y REEMPLÁCELA CUANDO ESTÉ DAÑADA.** La pequeña acumulación de astillas bajo la sierra puede obstaculizar la hoja de la sierra o causar inestabilidad en la pieza de trabajo al cortar.
- **USE SOLAMENTE ABRAZADERAS PARA HOJAS ESPECIFICADAS PARA ESTA HERRAMIENTA** a fin de evitar daños a la máquina y/o graves lesiones.
- **LIMPIE** las astillas y el aserrín de **LAS RANURAS DE VENTILACIÓN DEL MOTOR.** Las ranuras de ventilación del motor obstruidas pueden hacer que la máquina se caliente en exceso y se dañe, lo cual podría provocar un cortocircuito que a su vez podría ocasionar lesiones graves.
- **NO BLOQUEE NUNCA EL INTERRUPTOR EN LA POSICIÓN DE ENCENDIDO ("ON").** Pueden producirse graves lesiones corporales.
- **NO SE PARE NUNCA ENCIMA DE LA HERRAMIENTA.** Podría sufrir graves lesiones si se vuelca la herramienta o si la herramienta de corte se toca sin querer.
- Puede obtenerse **INFORMACIÓN ADICIONAL** acerca del funcionamiento seguro y correcto de las herramientas eléctricas (por ejemplo, un video sobre seguridad) del Power Tool Institute, 1300 Sumner Avenue, Cleveland, OH 44115-2851 (www.powertoolinstitute.com). Asimismo puede obtenerse información del National Safety Council, 1121 Spring Lake Drive, Itasca, IL 60143-3201. Por favor consulte las Reglas de seguridad ANSI 01.1 para Máquinas de carpintería del Instituto

Normas de seguridad adicionales de las sierras ingleteadoras

- **ADVERTENCIA:** No inserte la batería en la unidad hasta que se hayan leído y comprendido todas las instrucciones.
- **NUNCA COLOQUE LAS MANOS MÁS CERCA DE 4" (100 mm) DESDE LA CUCHILLA.**
- **NO PONGA EN FUNCIONAMIENTO ESTA MÁQUINA** hasta que esté totalmente ensamblada e instalada según las instrucciones. Si la máquina no está debidamente ensamblada puede causar lesiones graves.

Nacional Americano de Normalización y las Reglas de la Administración de Seguridad y Salud Ocupacional (OSHA) 1910.213 del Departamento de Trabajo de los EE.UU..

ADVERTENCIA: El cortar plásticos, madera revestida de savia y otros materiales puede ocasionar una acumulación del material derretido en las puntas de la hoja y el cuerpo de la hoja de la sierra, aumentando el riesgo de sobrecalentamiento y trabado de la hoja al cortar.

ADVERTENCIA: Use **SIEMPRE** lentes de seguridad. Los anteojos de diario **NO SON** lentes de seguridad. Utilice además una cubrebocas o mascarilla antipolvo si la operación de corte genera demasiado polvo. **SIEMPRE LLEVE EQUIPO DE SEGURIDAD CERTIFICADO:**

- protección ocular ANSI Z87.1 (CAN/CSA Z94.3),
- protección auditiva ANSI S12.6 (S3.19),
- protección respiratoria NIOSH/OSHA/MSHA.

ADVERTENCIA: Algunas partículas de polvo generadas al lijar, serrar, esmerilar y taladrar con herramientas eléctricas, así como al realizar otras actividades de construcción, contienen químicos que el Estado de California sabe que pueden producir cáncer, defectos congénitos u otras afecciones reproductivas. Ejemplos de estos químicos son:

- plomo de algunas pinturas en base a plomo,
- polvo de sílice proveniente de ladrillos y cemento y otros productos de albañilería, y
- arsénico y cromo provenientes de madera tratada químicamente.

Su riesgo de exposición a estos químicos varía, dependiendo de la frecuencia con la cual realiza usted este tipo de trabajo. Para reducir su exposición a estas sustancias químicas: trabaje en una zona bien ventilada y llevando equipos de seguridad aprobados, como mascarillas antipolvo especialmente diseñadas para filtrar partículas microscópicas.

• **Evite el contacto prolongado con polvo generado por el lijado, aserrado, pulido, taladrado y otras actividades de construcción. Vista ropas protectoras y lave las áreas de la piel expuestas con agua y jabón.** Si permite que el polvo se introduzca en la boca u ojos o quede sobre la piel, puede favorecer la absorción de productos químicos peligrosos.

ADVERTENCIA: La utilización de esta herramienta puede generar polvo o dispersarlo, lo que podría causar daños graves y permanentes al sistema respiratorio, así como otras lesiones. Siempre use protección respiratoria aprobada por NIOSH (Instituto Nacional de Seguridad y Salud en el Trabajo) u OSHA (Administración de Seguridad y Salud en el Trabajo) apropiada para la exposición al polvo. Dirija las partículas en dirección contraria a la cara y el cuerpo.

ADVERTENCIA: Siempre lleve la debida protección auditiva personal en conformidad con ANSI S12.6 (S3.19) durante el uso de esta herramienta. Bajo algunas condiciones y duraciones de uso, el ruido producido por este producto puede contribuir a la pérdida auditiva.

ATENCIÓN: Cuando no esté en uso, guarde la herramienta apoyada en un costado sobre una superficie estable, donde no interrumpa el paso o provoque una caída. Algunas herramientas con paquetes de baterías de gran tamaño pueden colocarse paradas sobre el paquete de baterías, pero pueden caerse fácilmente.

• **Los orificios de ventilación suelen cubrir piezas en movimiento, por lo que también se deben evitar.** Las piezas en movimiento pueden atrapar prendas de vestir sueltas, joyas o el cabello largo.

La etiqueta de su herramienta puede incluir los siguientes símbolos. A continuación se indican los símbolos y sus definiciones:

V..... voltios	RPM..... revoluciones por minuto
Hz..... hertz	sfpm..... pies de superficie por minuto
min..... minutos	SPM..... pasadas por minuto
— or DC..... direct current	A..... amperios
Ⓢ..... Construcción de Clase I (tierra)	W..... vatios
... /min..... por minuto	~ or AC..... corriente alterna
BPM..... golpes por minuto	⎓ or AC/DC..... corriente alterna o directa
IPM..... impactos por minuto	Ⓜ..... Construcción de Clase II (doble aislamiento)

Para su conveniencia y seguridad, su sierra ingleteadora tiene las siguientes etiquetas de advertencia.

EN EL PROTECTOR:
PELIGRO: MANTÉNGASE ALEJADO DE LA HOJA.

EN EL PROTECTOR SUPERIOR:

SUJETE EL SOPORTE CORRECTAMENTE CON AMBOS TORNILLOS ANTES DE USAR.

EN LA MESA: (2 LUGARES)

ADVERTENCIA: PARA REDUCIR EL RIESGO DE LESIONES, EL USUARIO DEBE LEER EL MANUAL DE INSTRUCCIONES ANTES DE UTILIZAR LA SIERRA INGLETEADORA. MANTENGA LAS MANOS Y EL CUERPO ALEJADOS DE LA TRAYECTORIA DE LA CUCHILLA DE LA SIERRA, EL CONTACTO CON LA CUCHILLA RESULTARÁ EN LESIONES SERIAS. **NO UTILICE LA SIERRA SIN LOS PROTECTORES EN SU SITIO. COMPRUEBE QUE EL PROTECTOR INFERIOR CIERRE ADECUADAMENTE ANTES DE CADA USO. APRIETE SIEMPRE LOS BOTONES DE AJUSTE ANTES DE UTILIZAR LA HERRAMIENTA. NO REALICE NINGUNA OPERACIÓN A MANO ALZADA. SUJETE LAS PIEZAS PEQUEÑAS ANTES DE CORTAR. NO EXTIENDA NUNCA LA MANO POR DETRÁS DE LA HOJA DE LA SIERRA. NO CRUCE NUNCA LOS BRAZOS DELANTE DE LA HOJA. APAGUE LA HERRAMIENTA Y ESPERE A QUE LA HOJA DE LA SIERRA SE**



DETENGA ANTES DE MOVER LA PIEZA DE TRABAJO, CAMBIAR LA CONFIGURACIÓN O MOVER LAS MANOS. SAQUE LA BATERÍA ANTES DE AJUSTAR, CAMBIAR O REPARAR LA HOJA. PARA REDUCIR EL RIESGO DE LESIÓN, VOLVER A PONER EL CARRO EN LA POSICIÓN TRASERA MÁXIMA DESPUÉS DE CADA OPERACIÓN DE CORTE TRANSVERSAL. ¡PIENSE! USTED PUEDE PREVENIR ACCIDENTES.

EN BASE: (2 LUGARES) ON GUARD:



Accesorios

ADVERTENCIA: Dado que los accesorios que no sean los suministrados por DeWALT no han sido sometidos a pruebas con este producto, el uso de tales accesorios con esta herramienta podría ser peligroso. Para reducir el riesgo de lesión, sólo deben utilizarse con este producto los accesorios recomendados por DeWALT.

Los accesorios recomendados para utilizarse con la herramienta están pueden comprarse en su distribuidor local o en un centro de servicio autorizado. Si necesita ayuda para ubicar cualquier accesorio, póngase en contacto con DeWALT Industrial Tool Co., 701 East Joppa Road, Towson, MD 21286, llame al 1-800-4-DeWALT (1-800-433-9258) o visite nuestro sitio web: www.DeWALT.com.

Accesorios opcionales

Los siguientes accesorios, diseñados para su sierra, pueden resultarle útiles. En algunos casos, otros soportes para la pieza de trabajo, topes de longitud, abrazaderas, etc. que se obtengan localmente pueden ser más apropiados. Tenga cuidado al seleccionar y utilizar los accesorios.

hojas de sierra: USE SÓLO HOJAS DE SIERRA DE 184 mm (7-1/4") CON ORIFICIOS DE EJE REDONDOS DE 16 mm (5/8") DE DIÁMETRO Y UNA LÍNEA DE CORTE MÁXIMA DE 2,1 mm. LA CATEGORÍA DE VELOCIDAD DEBE SER COMO MÍNIMO DE 4000 RPM. NO UTILICE HOJAS CON ORIFICIOS DE EJE EN FORMA DE DIAMANTE. No use nunca una hoja de diámetro diferente. No estará protegida adecuadamente. ¡Use solamente hojas para cortes transversales! No use hojas diseñadas para aserrado al hilo, hojas de combinación u hojas con ángulos en gancho de más de 7°.

DESCRIPCIONES DE LA HOJA		
APLICACIÓN	DIÁMETRO	DIENTES
Propósito general	184 mm (7-1/4")	40
Corte de madera fino	184 mm (7-1/4")	60

BATERÍAS Y CARGADORES

La batería no viene completamente cargada de fábrica. Antes de utilizar la batería y el cargador, lea las siguientes instrucciones de seguridad y luego siga los procedimientos de carga indicados. Cuando pida baterías de repuesto, no olvide indicar el número de catálogo y el voltaje.

Su herramienta utiliza un cargador DeWALT. Lea todas las instrucciones de seguridad antes de usar el cargador. Consulte la tabla al final de este manual para información sobre compatibilidad entre cargadores y baterías.

LEA TODAS LAS INSTRUCCIONES

Instrucciones de Seguridad Importantes Para Todas las Unidades de Batería

ADVERTENCIA: Lea todas las advertencias de seguridad y todas las instrucciones para la batería, el cargador y la herramienta eléctrica. No seguir las advertencias y las instrucciones puede provocar una descarga eléctrica, un incendio y/o lesiones graves.

• **No cargue o use la unidad de batería en atmósferas explosivas, como en presencia de líquidos, gases o polvos inflamables.** Puede que al insertar o sacar la unidad de batería del cargador se inflamen el polvo o los gases.

• **NUNCA fuerce la unidad de batería para que entre en el cargador. NO modifique la unidad de batería en ninguna forma para que entre en un cargador no compatible, pues puede producir una ruptura en la unidad de batería y causar lesiones corporales graves.** Consulte la tabla al final de este manual para ver la compatibilidad entre baterías y cargadores.

• Cargue las unidades de batería sólo en los cargadores designados por DeWALT.

• **NO salpique con ni sumerja en agua u otros líquidos.**

• **No guarde ni use la herramienta y unidad de batería en lugares donde la temperatura pueda alcanzar o superar los 40 °C (104 °F), tales como cobertizos o construcciones de metal durante el verano.** Almacene las unidades de batería en lugares frescos y secos para maximizar su vida útil.

NOTA: No almacene las unidades de batería en la herramienta con el interruptor de gatillo en posición encendida fija. Nunca use cinta adhesiva para mantener el interruptor de gatillo en posición ENCENDIDA.

• **No incinere la unidad de batería, aunque esté completamente dañada o descargada. La unidad de batería puede explotar si se quema.** Cuando se queman unidades de batería de iones de litio, se producen gases y materiales tóxicos.

• **Si el contenido de la batería entra en contacto con la piel, lave el área de inmediato con agua y un jabón suave.** Si el líquido de la batería entra en contacto con sus ojos, enjuáguelos con agua y los ojos abiertos por 15 minutos o hasta que cese la irritación. Si se requiere de

asistencia médica, el electrolito de la batería está compuesto por una mezcla de carbonatos orgánicos líquidos y sales de litio.

- **El contenido de los elementos abiertos de la batería puede causar irritación en el tracto respiratorio.** Salga al aire fresco. Si los síntomas persisten, busque asistencia médica.

ADVERTENCIA: Peligro de quemaduras. El líquido de la batería puede ser inflamable si se expone a chispas o llamas.

ADVERTENCIA: Peligro de incendio. Nunca intente abrir la unidad de batería por ningún motivo. Si la caja exterior de la unidad de batería se triza o daña, no la introduzca en el cargador. No triture, deje caer o dañe la unidad de batería. No use una unidad de batería o un cargador que haya sido golpeado, dejado caer, atropellado o dañado en cualquier forma (por ejemplo, perforado por un clavo, golpeado con un martillo, pisado). Lleve sus unidades de batería dañadas al centro de servicio para que sean recicladas.

Transporte

ADVERTENCIA: Peligro de incendio. No guarde o transporte la batería de forma que los terminales expuestos de la misma puedan estar en contacto con objetos metálicos. Por ejemplo, no ponga la batería en delante, bolsillos, cajas de herramientas, estuches de productos, cajones, etc., junto con clavos, tornillos, y llaves, etc. sueltos. El transporte de baterías puede causar incendios si sus terminales inadvertidamente entran en contacto con materiales conductores como llaves, monedas, herramientas manuales y otros por el estilo. El Reglamento sobre Materiales Peligrosos (HMR) del Departamento de Transporte de EE.UU. prohíbe transportar baterías comercialmente o en aviones en el equipaje de mano A MENOS que estén debidamente protegidas contra cortocircuitos. Por lo tanto, cuando transporte baterías individuales, asegúrese de que sus terminales estén protegidos y debidamente aislados de los materiales que pudieran entrar en contacto con ellos y provocar un cortocircuito.

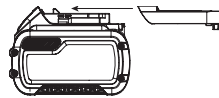
TRANSPORTE DE LA BATERÍA FLEXVOLT™ DE DeWALT

La batería FLEXVOLT™ de DeWALT tiene dos modalidades: **Uso** y **transporte**.

Modalidad de uso: Cuando la batería FLEXVOLT™ está independiente o está en un producto DeWALT de 20 V Máx* funcionará como una batería de 20 V Máx*. Cuando la batería FLEXVOLT™ está en un producto de 60 V Máx* o 120 V Máx* (dos baterías de 60 V Máx*), funcionará como una batería de 60V Máx*.

Modalidad de transporte: Cuando la batería FLEXVOLT™ tiene puesta la tapa, la batería está en modalidad de transporte. Cadenas de celdas están desconectadas eléctricamente dentro de la unidad de batería, lo que resulta en tres baterías con una capacidad nominal de vatios hora (Wh) inferior comparada con una batería con una capacidad nominal de vatios hora superior. Esta mayor cantidad de tres baterías con una capacidad nominal de vatios-hora menor puede hacer que la unidad de batería quede exenta de ciertos reglamentos de transporte que se imponen a las baterías con mayor capacidad nominal de vatios-hora.

La etiqueta en la batería indica dos capacidades nominales de vatios-hora (ver el ejemplo). Dependiendo de cómo se transporta la batería, debe usarse la capacidad nominal vatios-hora apropiada para determinar los requisitos de transporte aplicables. Si se utiliza la tapa de transporte, la unidad de batería será considerada tres baterías con la capacidad nominal de vatios-hora indicada para «Transporte». Si se transporta sin la tapa o en una herramienta, la unidad de batería será considerada una batería con la capacidad nominal de vatios-hora indicada al lado de «Uso».



Ejemplo de Marcado en Etiqueta de Uso y Transporte

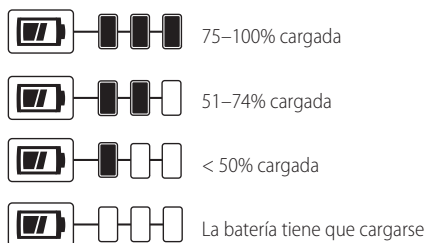
USE: 120 Wh Shipping: 3 x 40 Wh

Por ejemplo, la capacidad nominal de Wh de Transporte puede indicar 3 x 40 Wh, lo que significa 3 baterías de 40 vatios-hora cada una. La capacidad nominal de Wh de Uso puede indicar 120 Wh (se implica 1 batería).

Unidades de Batería con Indicador de Carga (Fig. B)

Algunas unidades de batería DeWALT incluyen un indicador de carga que consiste de tres luces LED verdes que indican el nivel de carga que queda en la unidad de batería.

El indicador de carga es una indicación de niveles aproximados de carga que quedan en la batería según los indicadores siguientes:



Para activar el indicador de carga, presione y sostenga el botón del indicador. Se iluminará una combinación de las tres luces LED verdes, que indicará el nivel de carga que queda. Cuando el nivel de carga está por debajo del nivel útil, el indicador no se iluminará, y la batería deberá recargarse.

Fig. B



NOTA: El indicador de carga es sólo eso: un indicador de la carga de la unidad de batería. No indica el nivel de funcionalidad de la herramienta y puede variar de acuerdo a las piezas del producto, la temperatura y la aplicación que el usuario le dé.

Para mayor información sobre unidades de batería con indicadores de carga, por favor llame al 1-800-4-DeWALT (1-800-433-9258) o visite nuestro sitio Web: www.dewalt.com.

El sello RBRC®

El sello RBRC® (Rechargeable Battery Recycling Corporation) en las baterías (unidades de batería) de níquel cadmio, níquel e hidruro metálico o de iones de litio indica que el costo de reciclaje de estas baterías (o unidades de batería) al llegar al final de su vida de servicio ya ha sido pagado por DeWALT. En algunas áreas, es ilegal depositar baterías de níquel cadmio, níquel e hidruro metálico o de iones de litio gastadas en la basura o la corriente de residuos sólidos urbanos; el programa Call 2 Recycle® proporciona una alternativa ecológica.



Call 2 Recycle, Inc., en cooperación con DeWALT y otros usuarios de baterías, han establecido programas en los Estados Unidos y Canadá para facilitar la recolección de baterías de níquel cadmio, níquel e hidruro metálico y de iones de litio gastadas a un centro de servicio autorizado por DeWALT o al minorista local para que sean recicladas, ayuda a proteger el medio ambiente y a conservar recursos naturales. También puede comunicarse con el centro de reciclaje de su localidad para mayor información sobre dónde llevar sus baterías gastadas.

RBRC® es una marca comercial registrada de Call 2 Recycle, Inc.

Instrucciones Importantes de Seguridad Para Todos los Cargadores de Baterías

ADVERTENCIA: Lea todas las advertencias de seguridad y todas las instrucciones para la batería, el cargador y la herramienta eléctrica. No seguir las advertencias y las instrucciones puede provocar una descarga eléctrica, un incendio y/o lesiones graves.

- **NO intente cargar la unidad de batería con otros cargadores que no sean los descritos en este manual.** El cargador y la unidad de batería fueron específicamente diseñados para trabajar en conjunto.
- **Estos cargadores no fueron diseñados para ser utilizados para más que cargar las baterías recargables DeWALT.** Cualquier otro uso puede producir riesgo de incendios, descargas eléctricas o electrocución.
- **No exponga el cargador a la lluvia o a la nieve.**
- **Tire del enchufe y no del cable cuando desconecte el cargador.** De esta forma se reduce el riesgo de daño al enchufe y cable.
- **Asegúrese de que el cable no sea ubicado de manera que podría ser pisado, causar que alguien tropiece con él o ser expuesto a otro tipo de daños y desgastes.**
- **No use un alargador a menos que sea absolutamente necesario.** El uso de un alargador incorrecto podría producir riesgo de incendios, descargas eléctricas o electrocución.
- **Cuando opere un cargador al exterior, hágalo siempre en un lugar seco y use un alargador apropiado para uso al exterior.** El uso de un alargador apropiado para uso al exterior reduce el riesgo de descarga eléctrica.
- **Los hilos del alargador deben ser de un calibre apropiado (AWG o American Wire Gauge) para su seguridad.** Mientras menor sea el calibre del hilo, mayor la capacidad del cable. Es decir, un hilo calibre 16 tiene mayor capacidad que uno de 18. Un cable de un calibre insuficiente causará una caída en la tensión de la línea dando por resultado una pérdida de energía y sobrecalentamiento. Cuando se utilice más de un alargador para completar el largo total, asegúrese que los hilos de cada alargador tengan el calibre mínimo. La tabla siguiente muestra el tamaño correcto a utilizar, dependiendo de la longitud del cable y del amperaje nominal de la placa de identificación. Si tiene dudas sobre cuál calibre usar, use un calibre mayor. Cuanto menor sea el número del calibre, más resistente será el cable.

Calibre mínimo de conjuntos de cables

Voltios	Longitud total del cable en pies (metros)			
	25 (7,6)	50 (15,2)	100 (30,5)	150 (45,7)
120 V	25 (7,6)	50 (15,2)	100 (30,5)	150 (45,7)
240 V	50 (15,2)	100 (30,5)	200 (61,0)	300 (91,4)
Amperaje nominal	AWG			
	Más de	No Más de		
0	6	18	16	14
6	10	18	16	12
10	12	16	14	12
12	16	14	12	No recomendado

- **No coloque ningún objeto encima del cargador ni coloque a este sobre una superficie blanda que pudiera bloquear las ranuras de ventilación y resultar en un calor interno excesivo.** Coloque el cargador en un lugar alejado de cualquier fuente de calor. El cargador

se ventila a través de las ranuras que se encuentran en la parte superior e inferior de la caja protectora.

- **No opere el cargador si su cable o enchufe están dañados.**
- **No opere el cargador si ha recibido un golpe agudo, si se ha caído o si ha sido dañado de alguna otra forma.** Llévelo a un centro de servicio autorizado.
- **No desarme el cargador; llévelo a un centro de servicio autorizado cuando deba ser reparado.** Si es reensamblado incorrectamente, puede causar descargas eléctricas, electrocución o incendios.
- **Desenchufe el cargador antes de intentar limpiarlo. Esto reducirá el riesgo de descargas eléctricas.** El retirar el paquete de baterías no reducirá este riesgo.
- **NUNCA** intente conectar 2 cargadores entre sí.
- **El cargador está diseñado para operar con una corriente eléctrica estándar residencial de 120 V. No intente usarlo con ningún otro voltaje.** Esto no aplica al cargador vehicular.

⚠️ ADVERTENCIA: Peligro de descarga eléctrica. No permita que ningún líquido se introduzca en el cargador. Puede producir descargas eléctricas.

⚠️ ADVERTENCIA: Peligro de quemaduras. No sumerja la unidad de batería en líquido de ningún tipo ni permita que se introduzca ningún tipo de líquido a la unidad de batería. Nunca intente abrir la unidad de batería por ningún motivo. Si la caja plástica de la unidad de batería se triza o rompe, llévela a un centro de servicio para su reciclaje

⚠️ ATENCIÓN: Peligro de quemaduras. Para reducir el riesgo de lesiones, sólo cargue unidades de batería recargables marca DEWALT. Otros tipos de batería podrían sobrecalentarse y reventar lo que podría resultar en lesiones corporales y daños a su propiedad.

AVISO: Bajo ciertas condiciones, cuando el cargador está enchufado a una toma de corriente, el cargador puede hacer cortocircuito si entra en contacto con algún material ajeno. Los materiales ajenos de naturaleza conductora, como el polvo de esmerilado, las placas de metal, la lana de acero, el papel de aluminio y otros, o cualquier acumulación de partículas metálicas deberían mantenerse alejados de las cavidades del cargador. Desenchufe siempre el cargador cuando no haya una unidad de batería en su cavidad. Desenchufe el cargador antes de intentar limpiarlo.

Certificaciones inalámbricas e información de seguridad

- Este dispositivo cumple con CAN ICES-3(B)/NMB-3(B).
- Este dispositivo cumple con la Sección 15 de las normas de la Comisión Federal de Comunicaciones (FCC) y las normas RSS de exención de licencia del Ministerio de Industria de Canadá. Su funcionamiento está sujeto a las dos siguientes condiciones:
 - Este dispositivo no puede causar interferencia dañina, y
 - Este dispositivo debe aceptar cualquier interferencia que reciba, incluyendo aquella interferencia que podría producir un funcionamiento no deseado.

Este equipo ha sido probado y se ha demostrado que cumple con los límites establecidos para dispositivos digitales de Clase B, de conformidad con la Sección 15 de las Normas de la FCC. Estos límites están diseñados para ofrecer un nivel razonable de protección contra la interferencia dañina en instalaciones residenciales. Este equipo genera, utiliza y puede emitir energía de radiofrecuencia y, si no se instala y utiliza de acuerdo con las instrucciones proporcionadas, puede producir una interferencia dañina a la comunicación radial. Sin embargo, no existen garantías de que no ocurra interferencia alguna en una instalación en particular. Si este equipo produce interferencia dañina a la recepción radial o de televisión, lo que puede determinarse al apagar y volver a encender el equipo, se pide al usuario que corrija la interferencia implementando una o más de las siguientes medidas:

- Cambie la orientación o el lugar donde esté ubicada la antena receptora.
- Aumente el espacio que separa al equipo del receptor.
- Conecte el equipo a una toma de corriente que esté en un circuito diferente al circuito al que esté conectado el receptor.
- Consulte con el distribuidor o con un técnico de radio y televisión con experiencia que pueda ayudarle.
- Los cambios o modificaciones que no estén aprobados expresamente por el fabricante podrían anular la autorización del usuario para utilizar el dispositivo. Este aparato digital de la Clase B cumple con la norma canadiense ICES-003.
- Según el reglamento del Ministerio de Industria de Canadá, este transmisor de radio puede funcionar solamente con una antena del tipo y de la máxima (o menor) ganancia aprobados para el transmisor por el Ministerio de Industria de Canadá. Para reducir la posible interferencia radioeléctrica a otros usuarios, el tipo de antena y su ganancia deberían elegirse de manera que la potencia isotrópica radiada equivalente (p.i.r.e.) no sea mayor que la necesaria para una comunicación satisfactoria.
- Para cumplir con los límites de exposición a radiación de radiofrecuencia establecidos por la FCC y el Ministerio de Industria de Canadá para la población general, la antena utilizada para este dispositivo no debe ser colocada ni funcionar junto con cualquier otra antena o transmisor.

Para productos con Bluetooth®

- Al viajar en avión, asegúrese de cumplir con las restricciones de las líneas aéreas acerca del uso de dispositivos electrónicos personales y Bluetooth®.
- La función de alerta de fuera de alcance ha sido diseñada para servir de ayuda para evitar la pérdida o robo de productos. No es un sistema de seguridad.
- El rango de conectividad es de hasta 30.5 m (100 pies) dependiendo del entorno y la ubicación.
- Las señales de radiofrecuencia de onda corta de un dispositivo Bluetooth® pueden afectar el funcionamiento de otros dispositivos médicos y electrónicos (como marcapasos o audífonos).

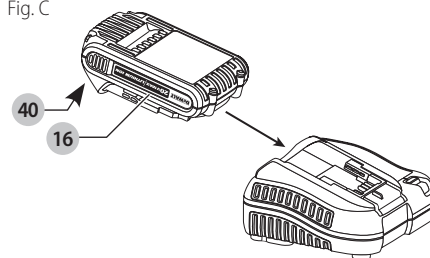
NOTA: La marca denominativa y los logotipos de Bluetooth® son marcas registradas propiedad de Bluetooth®, SIG, Inc. y todo uso de dichas marcas por DEWALT se hace bajo licencia. Otras marcas y nombres comerciales son de sus respectivos propietarios.

Este producto cumple con estas normas cuando se pone en funcionamiento con un alargador de 1.82 m (6 pies) o más corto.

Carga de una batería (Fig. C)

1. Enchufe el cargador en una toma de corriente apropiada antes de introducir la batería.

Fig. C



2. Inserte la batería **16** en el cargador, comprobando esté bien fija. La luz roja (de carga) parpadeará continuamente para indicar que se ha iniciado el proceso de carga.
3. La luz roja se quedará ENCENDIDA continuamente cuando se haya completado el proceso de carga. La batería estará entonces completamente cargada y podrá ser utilizada de inmediato o dejarse en el cargador. Para sacar la batería del cargador, presione el botón de liberación **40** de la batería.

NOTA: Para asegurar el máximo rendimiento y vida útil de las baterías de iones de litio, cargue la batería completamente antes de usarla por primera vez.

Funcionamiento del cargador

Consulte los indicadores a continuación relativos al estado de carga de la batería.

DCB107, DCB112, DCB113, DCB115, DCB118, DCB132		
	Unidad en Proceso de Carga	
	Unidad Cargada	
	Retraso por Unidad Caliente/ Fría*	

***DCB107, DCB112, DCB113, DCB115, DCB118, DCB132:** La luz roja continuará parpadeando, pero una luz indicadora amarilla estará iluminada durante esta operación. Una vez que la batería haya llegado a una temperatura apropiada, la luz amarilla se apagará y el cargador continuará con el procedimiento de carga.

El cargador no cargará una batería defectuosa. El cargador indicará que la unidad de batería es defectuosa al no iluminarse o al indicar que existe un problema con la unidad o el cargador.

NOTA: Esto también puede significar que hay un problema con el cargador.

Si el cargador indica un problema, lleve el cargador y la batería a un centro de servicio autorizado para que sean sometidos a pruebas.

Retraso por batería caliente/fría

Cuando el cargador detecta que una batería está demasiado caliente o demasiado fría, inicia automáticamente un Retraso por batería caliente/fría y suspende la carga hasta que la batería alcanza una temperatura adecuada. En ese momento, el cargador inicia automáticamente el modo de carga de la batería. Esta función garantiza la máxima duración de la batería.

Una batería fría se carga más lentamente que una batería caliente. La batería se cargará a ese ritmo más lento durante todo el ciclo de carga y no volverá a cargarse a la velocidad de carga máxima incluso si la batería se calienta.

El cargador DCB118 está equipado con un ventilador interno diseñado para enfriar la batería. El ventilador se encenderá automáticamente cuando la batería tenga que enfriarse.

No opere nunca el cargador si el ventilador no funciona adecuadamente o si las ranuras de ventilación están obstruidas. No permita que entren objetos extraños dentro del cargador.

Sistema de protección electrónica

Las herramientas con baterías de iones de litio están diseñadas con un Sistema de protección electrónico que protegerá la batería contra la sobrecarga, el sobrecalentamiento o la descarga completa.

La herramienta se apagará automáticamente si el Sistema de protección electrónico se activa. Si esto ocurre, coloque la batería de iones de litio en el cargador hasta que esté totalmente cargada.

Montaje en la pared

DCB107, DCB112, DCB113, DCB115, DCB118, DCB132

Estos cargadores están diseñados para montarse en la pared o colocarse en posición vertical sobre una mesa o superficie de trabajo. Si lo monta en la pared, coloque el cargador al alcance de una toma de corriente eléctrica y alejado de las esquinas u otras obstrucciones que puedan impedir el flujo de aire. Utilice la parte de atrás del cargador como plantilla para la ubicación de los tornillos de montaje en la pared. Monte el cargador firmemente utilizando tornillos para muro seco (comprados por separado) de un mínimo de 25,4 mm (1") de largo, con una cabeza de un diámetro de 7-9 mm (0,28-0,35"), atornillados en madera hasta una profundidad óptima dejando

el tornillo expuesto aproximadamente 5,5 mm (7/32"). Alinee las ranuras en la parte trasera del cargador con los tornillos expuestos e introdúzcalos totalmente en las ranuras.

Instrucciones de limpieza del cargador

⚠️ ADVERTENCIA: Riesgo de descarga eléctrica. Desconecte el cargador del tomacorriente de CA antes de limpiarlo. Para limpiar la suciedad y grasa del exterior del cargador puede usarse un paño o cepillo suave no metálico. No use agua ni soluciones limpiadoras.

Notas importantes sobre la carga

- Se puede obtener una mayor duración y un mejor rendimiento si la unidad de batería se carga a una temperatura ambiente de 18–24 °C (65–75 °F). NO cargue la unidad de batería a una temperatura ambiental inferior a +4,5 °C (+40 °F) o superior a +40 °C (+104 °F). Esto es importante y evitará causar daños graves a la batería.
- Puede que el cargador y la unidad de batería se calienten ligeramente durante el proceso de carga. Esto es normal y no representa ningún problema. Para facilitar el enfriamiento de la unidad de batería después del uso, evite colocar el cargador o la unidad de batería en un lugar cálido, como un cobertizo metálico o un remolque sin aislamiento térmico.
- Si la unidad de batería no se carga correctamente:
 - Verifique el funcionamiento de la toma enchufando una lámpara u otro aparato;
 - Revise que la toma de corriente no esté conectada a un interruptor de luz que corte la corriente cuando se corte la luz;
 - Mueva el cargador y la unidad de batería a un lugar donde la temperatura ambiental sea aproximadamente 18–24 °C (65–75 °F);
 - Si el problema de carga continúa, lleve la herramienta, unidad de batería y el cargador a su centro de servicio local.
- La unidad de batería debería ser recargada cuando no sea capaz de producir suficiente potencia para trabajos que eran fácilmente realizados antes. NO CONTINÚE usándola bajo estas circunstancias. Siga el procedimiento de carga. También puede cargar una unidad de batería que haya sido usada parcialmente cuando lo desee, sin dañarla.
- Los materiales ajenos conductores por naturaleza, tales como, pero sin limitarse a, el polvo del esmerilado, las virutas metálicas, la lana de acero, el papel de aluminio o cualquier acumulación de partículas metálicas deberían mantenerse alejados de las cavidades del cargador. Desenchufe siempre el cargador de la toma de corriente cuando no haya una unidad de batería en su cavidad. Desenchufe el cargador antes de intentar limpiarlo.
- No congele ni sumerja el cargador en agua o cualquier otro líquido.

Recomendaciones de almacenamiento

- El mejor lugar de almacenamiento es uno que sea fresco y seco, lejos de la luz solar directa y del exceso de calor o frío.
- Para resultados óptimos durante tiempos prolongados de almacenamiento, se recomienda almacenar la unidad de batería completamente cargada en un lugar fresco y seco fuera del cargador.

NOTA: Las unidades de batería no deberían almacenarse completamente descargadas. La unidad de batería deberá recargarse antes de ser usada.

GUARDE ESTAS INSTRUCCIONES PARA VOLVER A CONSULTAR EN EL FUTURO

Desempaque de la sierra

Compruebe el contenido de la caja de la sierra ingleteadora para asegurarse de que ha recibido todas las piezas.

Además de este manual de instrucciones, la caja debe contener lo siguiente:

- 1 sierra ingleteadora DCS361
- 1 Hoja de sierra de 184 mm (7–1/4") de diámetro DEWALT
- 1 Llave para hoja hexagonal y Torx T30 de 6,35 mm (1/4")
- 1 Cargador (sólo kit)
- 1 Batería (sólo kit)

En la bolsa:

- 1 Bolsa para polvo
- 1 Abrazadera para el material

Especificaciones

Capacidad de corte

	Altura	Ancho
Inglete de 0° / Bisel de 0°	50,8 mm (2")	209,5 mm (8")
Inglete de 45° / Bisel de 0°	50,8 mm (2")	146 mm (5,75")
Inglete de 48° / Bisel de 0°	50,8 mm (2")	152,4 mm (6")
Bisel de 45° - Izquierdo / Inglete de 0°	38,1 mm (1,5")	203 mm (8")
Moldura de corona anidada	14,3 x 92 mm (9/16" x 3–5/8")	
Moldura de base	15,8 x 89 mm (5/8" x 3–1/2")	

NOTA: La sierra es capaz de cortar lo siguiente una vez que se sigue un procedimiento de configuración especial. Consulte **Cortes especiales**.

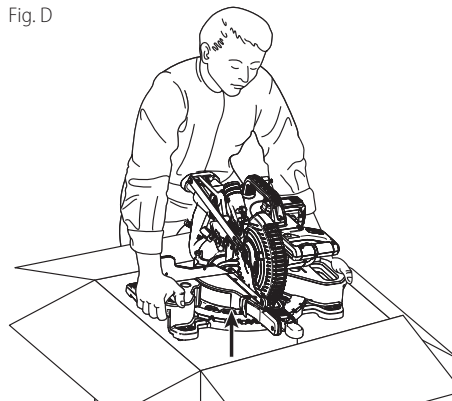
Límites del ángulo de bisel	
Ángulo de inglete máximo	Ángulo de bisel máximo en el que pueden realizarse cortes
48° Lado izquierdo	Bisel a la izquierda: 40°
48° Lado derecho	Bisel a la izquierda: 42,5°

Límites del ángulo de inglete	
AL máximo ángulo de bisel	Ángulo de inglete máximo en el que pueden realizarse cortes
48° Lado izquierdo	Inglete a la izquierda: 31,6°
	Inglete a la derecha: 35°

Familiarización (Fig. A, D)

La sierra ingleteadora viene totalmente ensamblada en la caja. Abra la caja y saque la sierra utilizando el asa para levantar **15** o los asideros **10** ubicados en la base de la sierra (Fig. D). Coloque la sierra sobre una superficie plana y lisa como un banco de trabajo o una mesa resistente.

Fig. D



Examine la Figura A para familiarizarse con la sierra y sus distintas piezas. La sección sobre los ajustes se referirá a estos términos y usted debe saber cuáles son las piezas y dónde se ubican.

⚠️ ATENCIÓN: Riesgo de pellizco. Para reducir el riesgo de lesión, mantenga el pulgar por debajo del mango de operación cuando jale el mango hacia abajo. El protector inferior se moverá hacia arriba mientras se jala el mango de operación hacia abajo, lo cual podría ocasionar un pellizco. El mango de operación se coloca cerca del protector para cortes especiales.

Empuje ligeramente hacia abajo sobre el mango de operación **2** y tire de la clavija de bloqueo **23** para sacarla. Libere suavemente la presión hacia abajo y sujete el mango de operación, dejando que suba hasta la altura máxima. Use la clavija de bloqueo cuando transporte la sierra de un lugar a otro. Siempre utilice los asideros **10** para el transporte de la sierra como se muestra en la Figura A.

Montaje en el banco de trabajo (Fig. A)

Las cuatro patas tienen orificios **3** para facilitar el montaje en el banco, como se muestra en la Figura A. (Los orificios son de dos tamaños diferentes para adaptarse a distintos tamaños de tornillos. Utilice cualquiera de los dos orificios, no es necesario utilizar ambos.) Siempre monte la sierra firmemente en una superficie estable, para evitar movimientos. Para facilitar su transporte, se puede montar la herramienta a una pieza de madera contrachapada de 12,7 mm (1/2") de espesor o más, que puede a su vez fijarse al soporte de la pieza de trabajo o trasladarse a otros puestos de trabajo y volver a fijarse.

NOTA: Si elige montar la sierra a una pieza de madera contrachapada, asegúrese de que los tornillos de montaje no sobresalgan de la parte inferior de la madera. La madera contrachapada debe quedar bien estabilizada sobre el soporte de trabajo. Al sujetar la sierra a cualquier superficie de trabajo, utilice únicamente los refuerzos de sujeción donde se encuentran los orificios de los tornillos de montaje. La sujeción en cualquier otro punto interferirá con el correcto funcionamiento de la sierra.

⚠️ ATENCIÓN: Para evitar bloqueos e imprecisiones, asegúrese de que la superficie de montaje no esté deformada o desnivelada. Si la sierra oscila sobre la superficie de trabajo, coloque un trozo delgado de material bajo una de las patas de la sierra para afirmarla sobre la superficie de montaje.

COMPONENTES (FIG. A)

⚠️ ADVERTENCIA: Nunca modifique la herramienta eléctrica, ni tampoco ninguna de sus piezas. Podría producir lesiones corporales o daños.

Consulte la Figura A al principio de este manual para obtener una lista completa de los componentes.

USO DEBIDO

Esta sierra ingleteadora para trabajo pesado está diseñada para aplicaciones profesionales de corte de madera.

NO debe usarse en condiciones húmedas ni en presencia de líquidos o gases inflamables.

Esta sierra ingleteadora es una herramienta eléctrica profesional. **NO** permita que los niños toquen la herramienta. Si el operador no tiene experiencia utilizando esta herramienta, deberá ser supervisado.

Cambio o instalación de una hoja de sierra nueva (Fig. E)

Consulte la sección **Hojas de la sierra** bajo **Accesorios opcionales** para información sobre la hoja de sierra correcta.

⚠ ADVERTENCIA: Para reducir el riesgo de lesiones personales graves, apague la herramienta y quite el paquete de baterías antes de transportar, realizar ajustes o quitar/instalar conexiones o accesorios. Un arranque accidental puede ocasionar lesiones.

ATENCIÓN:

- No presione nunca el botón del seguro del eje **32** mientras la hoja esté en funcionamiento o girando por inercia.
- No corte metal, mampostería o un producto de fibrocemento con esta sierra ingleteadora.

Extracción de la hoja (Fig. A, E)

- Extraiga la batería **16** de la sierra.
- Levante el brazo hasta la posición superior y levante el protector inferior **4** lo más posible.
- Afloje, pero no saque el tornillo trasero del soporte del protector **25** por cuatro revoluciones.
- Afloje, pero no saque el tornillo frontal del soporte del protector **24** (Fig. E) hasta que el soporte **26** pueda levantarse lo suficiente para acceder el tornillo de la hoja **28**. El protector inferior permanecerá levantado debido a la posición del tornillo del soporte del protector.
- Presione el botón del seguro del eje **32** mientras rota con cuidado la hoja de la sierra **27** a mano hasta que el bloqueo se active.
- Manteniendo el botón presionado, use la otra mano y el lado hexagonal de 1/4" de la llave provista **22** para aflojar el tornillo de la hoja **28**. (Gire en sentido horario, roscas hacia la izquierda).
- Saque el tornillo de la hoja **28** usando el lado hexagonal de 1/4" de la llave provista, la arandela de la sujeción exterior **29** y la hoja **27**. La arandela de sujeción interior **30** puede dejarse en el eje **31**.

Instalación de una hoja (Fig. A, E)

- Extraiga la batería **16** de la sierra.
- Con el brazo levantado, el protector inferior **4** abierto y el soporte del protector **26** levantado, coloque la hoja **27** en el eje **31** y contra la abrazadera interior de la hoja **30** con los dientes de la hoja apuntando en dirección de la rotación como aparecen marcados en la sierra.
- Ensamble la arandela de sujeción exterior **29** en el eje **31**.
- Instale el tornillo de la hoja **28** y, activando el bloqueo del eje **32**, apriete el tornillo **28** firmemente con la llave **22** provista (gire en sentido horario, roscas hacia la izquierda).
- Vuelva a poner el soporte del protector **26** en su posición original totalmente hacia abajo y apriete firmemente ambos tornillos del soporte del protector **24** **25** para sujetar el protector en su sitio.

⚠ ADVERTENCIA: Antes de poner la sierra en marcha se debe volver a poner el soporte del protector en su posición original totalmente hacia abajo y apretarse los tornillos del soporte del protector. No hacerlo podría impedir que el protector se cierre o permitir que el protector entre en contacto con la hoja de sierra en movimiento y provoque daños a la sierra y lesiones corporales graves.

Transporte de la sierra (Fig. A)

⚠ ADVERTENCIA: Para reducir el riesgo de lesiones personales graves, apague la herramienta y quite el paquete de baterías antes de transportar, realizar ajustes o quitar/instalar conexiones o accesorios. Un arranque accidental puede ocasionar lesiones.

⚠ ADVERTENCIA: Para reducir el riesgo de lesiones personales graves, SIEMPRE bloquee la perilla de fijación del riel, la empuñadura de bloqueo de inglete, la empuñadura de bloqueo de bisel, y la clavija de sujeción, y quite la batería antes de transportar la sierra.

Para transportar convenientemente la sierra ingleteadora de un lugar a otro, la sierra cuenta con una asa para levantar **15** en la parte de arriba del brazo y asideros **10** en la base, como se muestra en la Figura A. No levante ni transporte por la empuñadura de operación **2**.

CARACTERÍSTICAS Y CONTROLES

⚠ ADVERTENCIA: Para reducir el riesgo de lesiones personales graves, apague la herramienta y quite el paquete de baterías antes de transportar, realizar ajustes o quitar/instalar conexiones o accesorios. Un arranque accidental puede ocasionar lesiones.

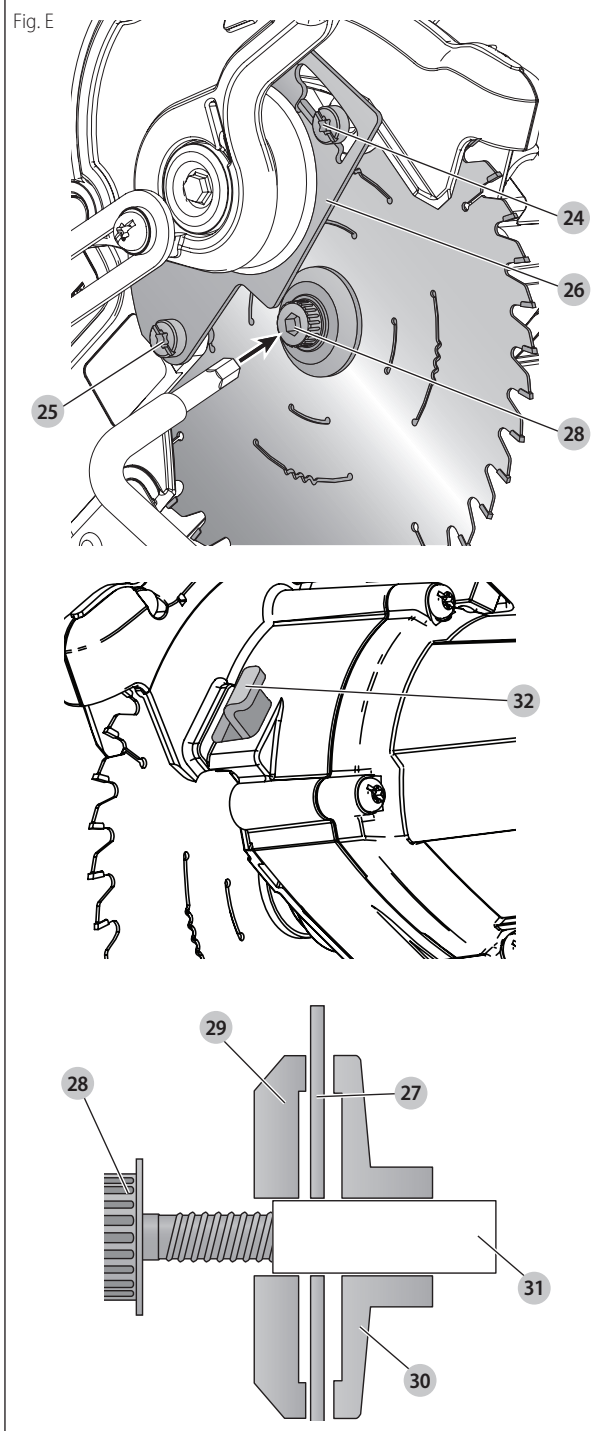
Uso del Sistema de luz de trabajo LED CUTLINE (Fig. A)

⚠ ATENCIÓN: No mire fijamente hacia la luz de trabajo. Podrían producirse lesiones oculares graves.

NOTA: La batería debe cargarse y conectarse a la sierra ingleteadora.

El Sistema de luz de trabajo LED CUTLINE puede encenderse con el interruptor momentáneo **17**. La luz se apagará automáticamente en 20 segundos si la sierra no está en funcionamiento.

Fig. E



La luz también se activa automáticamente cada vez que se jala el interruptor principal **1** de la herramienta.

Para cortar una línea existente trazada a lápiz sobre un trozo de madera, encienda el sistema de luz de trabajo CUTLINE utilizando el interruptor momentáneo **17** (no con el gatillo principal), luego jale hacia abajo el mango de operación **2** para acercar la hoja de la sierra a la madera. La sombra de la hoja aparecerá sobre la madera. Esta línea de sombra representa el material que la hoja retirará cuando realice un corte. Para ubicar correctamente el corte en la línea trazada a lápiz, alinee la línea con el borde de la sombra de la hoja. Tenga en cuenta que quizás tenga que ajustar los ángulos de inglete o bisel para que coincida exactamente con la línea trazada a lápiz. La sierra viene equipada con una característica de falla de batería. La luz de trabajo CUTLINE empieza a parpadear cuando la batería está casi al final de su carga útil o cuando está demasiado caliente.

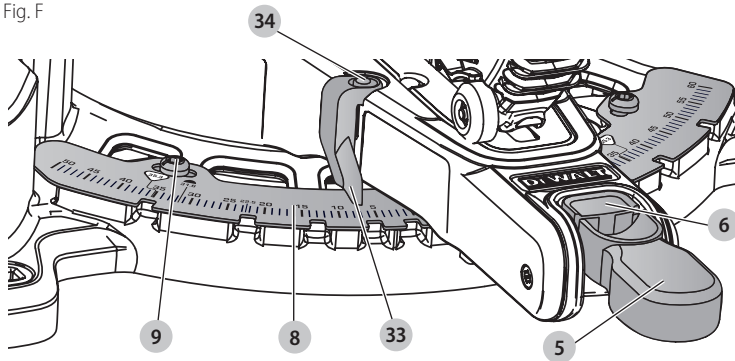
Cargue la batería antes de continuar con las aplicaciones de corte. Consulte la sección **Procedimiento de carga** bajo **Instrucciones de seguridad importantes para todas las baterías** para obtener instrucciones sobre la carga de la batería.

Control de inglete (Fig. F)

La perilla de fijación de inglete **5** y el botón de seguro de inglete **6** le permiten hacer ingletes con su sierra a 48° a la derecha y 48° a la izquierda. El seguro de inglete se situará automáticamente a 10°, 15°, 22,5°, 31,62° y 45° tanto a la izquierda como a la derecha. Para ajustar la sierra para cortes en inglete, desbloquee el mecanismo de bloqueo de inglete jalando la perilla de fijación de inglete **5**. Empuje el botón de seguro de inglete **6** hacia abajo, y jale

el ángulo de inglete deseado en la escala de inglete **8**. Bloquee la perilla de fijación de inglete empujándola hacia abajo.

Fig. F

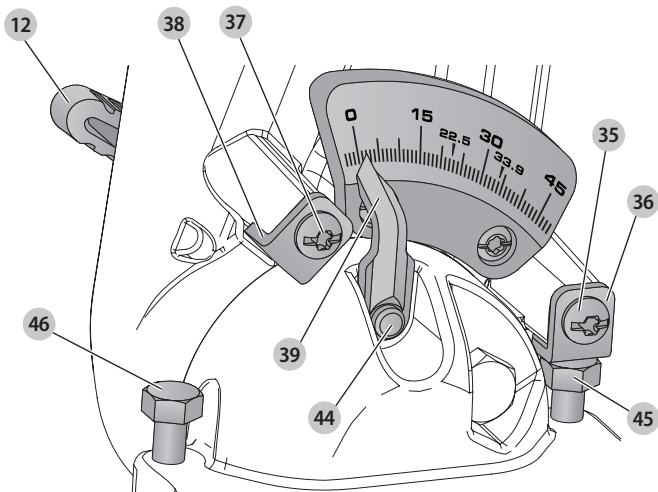


Perilla de fijación de bisel (Fig. A, G)

La fijación de bisel le permite ajustar la sierra para cortes en bisel a 48° a la izquierda. Para ajustar la Configuración de bisel, gire la perilla de fijación de bisel **12** en sentido antihorario para aflojarla. Para apretarla, gire la perilla de fijación de bisel en sentido horario.

⚠ ATENCIÓN: Riesgo de pellizco. Asegúrese de apretar la perilla de fijación de bisel antes de ajustar a nulaciones.

Fig. G



Anulación del tope de bisel a 0° (Fig. G)

La anulación del tope de bisel le permite ajustar el bisel de la sierra hasta 3° a la derecha. Afloje el tornillo de anulación del tope del bisel a 0° **35** hasta que el soporte de anulación del tope de bisel a 0° **36** pueda girar libremente. Gire el soporte de anulación del tope de bisel a 0° para permitir que la sierra gire pasada la posición de bisel cero, luego vuelva a apretar el tornillo de anulación.

Anulación del tope de bisel a 45° (Fig. G)

La anulación del tope de bisel le permite ajustar el bisel de la sierra hasta 48° a la izquierda. Afloje el tornillo de anulación del tope del bisel a 45° **37** hasta que el soporte de anulación del tope a 45° **38** pueda girar libremente. Gire el soporte de anulación del tope de bisel a 45° **38** para permitir que la sierra gire pasada la posición de bisel de 45°, luego vuelva a apretar el tornillo de anulación.

Perilla de bloqueo del riel (Fig. A)

La perilla de bloqueo del riel **20** le permite bloquear el cabezal de la sierra firmemente para evitar que se deslice en los rieles. Esto es necesario al realizar ciertos cortes o al transportar la sierra.

Clavija de bloqueo (Fig. A)

⚠ ADVERTENCIA: La clavija de bloqueo debe usarse SOLAMiija jalándola.

FUNCIONAMIENTO

⚠ ADVERTENCIA: Para reducir el riesgo de lesiones personales graves, apague la herramienta y quite el paquete de baterías antes de transportar, realizar ajustes o quitar/installar conexiones o accesorios. Un arranque accidental puede ocasionar lesiones.

⚠ ADVERTENCIA: Utilice siempre protección ocular. Todos los usuarios y observadores deben utilizar protección ocular de conformidad con la norma ANSI Z87.1. (CAN/CSA Z94.3).

⚠ ADVERTENCIA: Para asegurarse de que la trayectoria de la hoja esté libre de obstáculos, siempre haga un corte de práctica sin conexión eléctrica antes de realizar cortes en la pieza de trabajo.

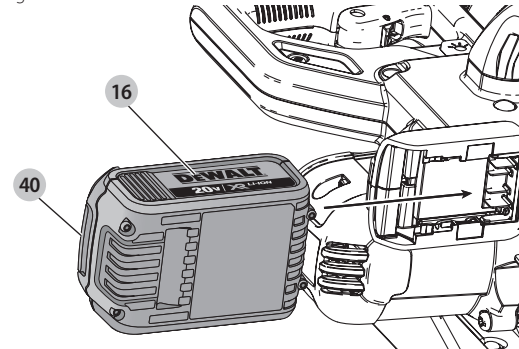
Cómo instalar y retirar la unidad de batería (Fig. H)

NOTA: Para mejores resultados, verifique que su unidad de batería esté completamente cargada.

Para instalar la unidad de batería **16** en el mango de la herramienta, alinee la unidad de batería con los rieles en el interior del mango de la herramienta y deslícela en el mango hasta que la unidad de batería quede firmemente insertada en la herramienta; verifique que ésta no se salga sola.

Para retirar la unidad de alimentación de la herramienta, presione los botones de liberación **40** y tire firmemente de la unidad de batería para sacarla del mango de la herramienta. Insértela en el cargador tal como se describe en la sección del cargador de este manual.

Fig. H



Interruptor de gatillo (Fig. I)

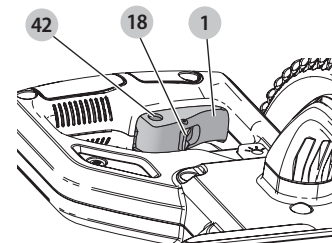
Para encender la sierra, empuje la palanca de bloqueo en apagado **18** hacia la izquierda, luego presione el interruptor de gatillo **1**. La sierra funcionará mientras el interruptor esté apretado.

Deje que la hoja gire hasta la velocidad total de funcionamiento antes de realizar el corte. Para apagar la sierra, suelte el interruptor de gatillo. Deje que la hoja se detenga antes de levantar el cabezal de la sierra. Esta herramienta no se ha diseñado para permitir el bloqueo del interruptor en la posición de encendido. En el gatillo hay un orificio **42** que permite introducir un candado para bloquear la herramienta.

La sierra no está equipada con un freno eléctrico automático para la hoja, pero la hoja de la sierra debería detenerse en 5 segundos después de soltar el gatillo. Esto no puede ajustarse. Si el tiempo de parada excede los 5 segundos repetidas veces, lleve la herramienta a un centro de servicio DEWALT para que sea reparada.

Asegúrese siempre de que la hoja se haya parado antes de sacarla de la línea de corte.

Fig. I



Extracción de polvo (Fig. A, J)

⚠ ADVERTENCIA: Para reducir el riesgo de lesiones personales graves, apague la herramienta y quite el paquete de baterías antes de transportar, realizar ajustes o quitar/installar conexiones o accesorios. Un arranque accidental puede ocasionar lesiones.

La sierra tiene un tubo de descarga de polvo **14** incorporado que permite conectar la bolsa para polvo **43** suministrada o un sistema de aspiradora de taller.

Para fijar la bolsa para polvo

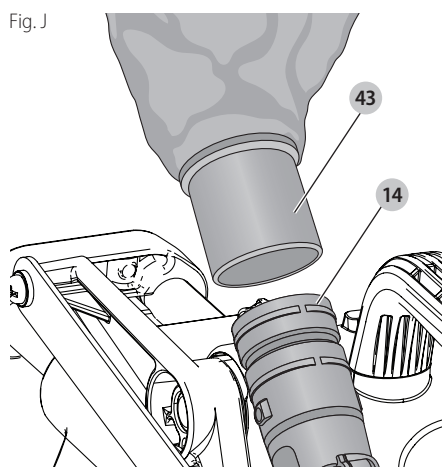
1. Introduzca la bolsa para polvo **43** en el tubo de descarga de polvo **14** como se muestra en la Figura J.

Para vaciar la bolsa para polvo

1. Saque la bolsa para polvo **43** de la sierra y agítela suavemente o dele golpecitos para vaciarla.
2. Vuelva a colocar la bolsa para polvo en el tubo de descarga de polvo **14**.

Quizás observe que todo el polvo no saldrá de la bolsa. Esto no afectará el desempeño del corte pero reducirá la eficacia de recolección de polvo de la sierra. Para restablecer la eficacia de recolección de polvo de la sierra, presione el muelle dentro de la bolsa para polvo cuando la esté vaciando y golpéela contra un lado del cubo de la basura o del recipiente para el polvo.

⚠ ATENCIÓN: No utilice nunca esta sierra a menos que la bolsa para polvo o el extractor de polvo DEWALT estén bien puestos. El aserrín puede crear un peligro para la respiración.



el borde cortado para determinar en qué dirección ajustar el ángulo de inglete y vuelva a cortar. Esto requiere práctica, pero es una técnica que se usa muy comúnmente.

Cortes biselados (Fig. A)

Un corte biselado es un corte transversal hecho con la hoja de la sierra inclinada en ángulo con respecto a la madera. Para fijar el bisel, afloje la perilla de fijación de bisel **12**, y mueva la sierra hacia la izquierda según se desee. Una vez fijado el ángulo de bisel deseado, apriete la perilla de fijación de bisel firmemente. Consulte la sección **Características y controles** para obtener instrucciones detalladas sobre el sistema de bisel.

Los ángulos de bisel pueden fijarse desde 3° a la derecha hasta 48° a la izquierda.

Calidad del corte

La uniformidad del corte depende de diferentes variables. El tipo de material a cortar, el tipo y filo de la hoja, y la velocidad del corte contribuyen a la calidad.

Si desea obtener cortes de mayor limpieza para molduras y otros trabajos de precisión, con una hoja bien afilada (con punta de carburo de 60 dientes) y una velocidad de corte uniforme y más lenta obtendrá los resultados que desea.

Asegúrese de que el material no se mueve o se arrastra durante el corte; sujételo firmemente en su lugar. Siempre permita que la hoja se detenga por completo antes de levantar el brazo de la sierra.

Si aun así se desprenden pequeñas fibras de la parte trasera de la pieza de trabajo, pegue un trozo de cinta adhesiva en la madera donde se realizará el corte. Corte con la sierra a través de la cinta y retírela con cuidado cuando termine.

Para diferentes aplicaciones de cortes, consulte la lista de hojas recomendadas para su sierra y elija la que más se adapte a sus necesidades. Consulte las **Hojas de sierra** en **Accesorios opcionales**.

Posición del cuerpo y las manos (Fig. L1-L4)

La correcta posición del cuerpo y las manos mientras opera la sierra ingletadora ayudará a lograr cortes más fáciles, precisos y seguros. Nunca coloque las manos cerca del área de corte. No coloque las manos a menos de 100 mm (4") de distancia de la hoja. Sujete la pieza de trabajo fija a la mesa y al reborde mientras corta. Mantenga las manos en posición hasta que el disparador esté liberado y la hoja se haya detenido por completo. SIEMPRE ENSAYE (SIN CORRIENTE ELÉCTRICA) ANTES DE REALIZAR LOS CORTES, A FIN DE PODER CONTROLAR EL TRAYECTO DE LA HOJA. NO CRUCE LAS MANOS, COMO SE MUESTRA EN LA Figura L3.

Mantenga ambos pies firmes sobre el piso y mantenga el equilibrio adecuado. Mientras usted mueve el brazo del inglete de izquierda a derecha, acompañelo y párese al costado de la hoja de la sierra. Observe a través de las rejillas protectoras cuando siga una línea de lápiz.

Fig. L1

Fig. L2

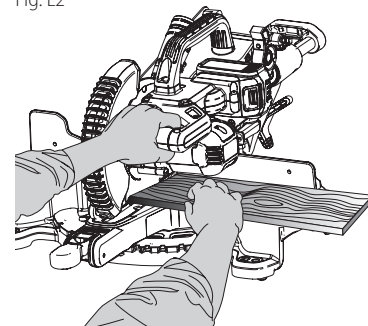
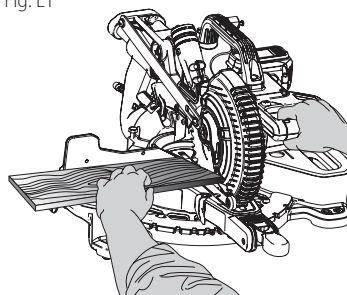
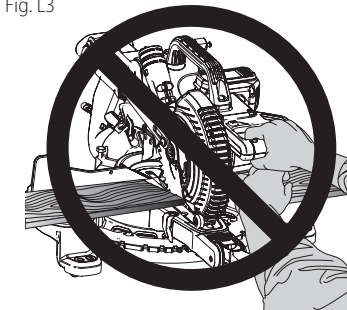


Fig. L3

Fig. L4



Sujeción de la pieza de trabajo

⚠ ADVERTENCIA: Para reducir el riesgo de lesiones personales graves, apague la herramienta y quite el paquete de baterías antes de transportar, realizar ajustes o quitar/installar conexiones o accesorios. Un arranque accidental puede ocasionar lesiones.

⚠ ADVERTENCIA: Una pieza de trabajo que está sujeta con la abrazadera, equilibrada y asegurada antes de realizar un corte puede desequilibrarse después de finalizar el corte. Una carga desequilibrada puede inclinar la sierra o cualquier objeto en el que esté instalada dicha sierra, como una mesa o un banco de trabajo. Al realizar un corte que puede desequilibrarse, sostenga adecuadamente la pieza de trabajo y asegúrese de que la sierra esté atornillada con firmeza a una superficie estable. Pueden ocasionar lesiones personales.

Realizar cortes con la sierra (Fig. A)

Si no se utiliza la característica de deslizamiento, asegúrese de que el cabezal de la sierra se empuje hacia atrás lo más posible y de que se apriete la perilla de bloqueo del riel **20**. Así se evitará que al sierra se deslice por los rieles mientras se corta la pieza de trabajo.

NOTA: NO CORTE METALES NI MAMPOSTERÍA CON ESTA SIERRA. No utilice hojas abrasivas de ningún tipo.

NOTA: Consulte **Activación del protector y visibilidad** en la sección de **Ajustes** para obtener información importante sobre el protector inferior antes de realizar cortes.

Cortes Transversales (Fig. A, K)

Un corte transversal se realiza cortando la madera a través de la veta, a cualquier ángulo. El corte transversal recto se hace con el brazo de ingletes en la posición de cero grados. Fije y bloquee el brazo de ingletes en cero, sujete la madera firmemente sobre la mesa y contra la guía. Con la perilla de bloqueo de riel **20** apretada, encienda la sierra apretando el interruptor de gatillo **1** como se muestra en la Figura A.

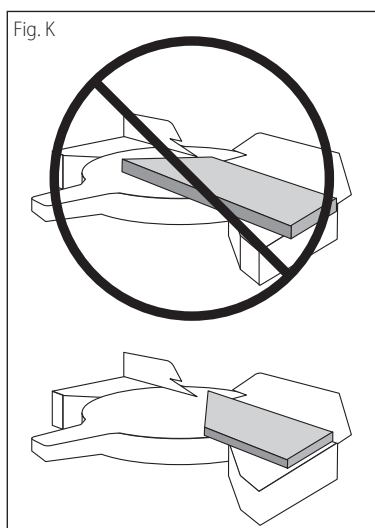
Cuando la sierra alcance la velocidad (en aproximadamente un segundo), baje el brazo suavemente y corte lentamente a través de la madera. Deje que la hoja se detenga por completo antes de levantar el brazo.

Al cortar piezas más grandes de 2 x 4 (51 x 102), use un movimiento hacia afuera, hacia abajo y hacia atrás con la perilla de bloqueo del riel **20** aflojada. Jale la sierra hacia afuera, hacia usted, baje el cabezal hacia la pieza de trabajo y empuje la sierra lentamente hacia atrás para completar el corte. No permita que la hoja de la sierra entre en contacto con la parte superior de la pieza de trabajo mientras jala hacia afuera. La sierra puede dirigirse hacia usted y causar lesiones corporales o daños a la pieza de trabajo.

⚠ ADVERTENCIA: Use siempre una abrazadera de trabajo para mantener el control y reducir el riesgo de daños a la pieza de trabajo y lesiones corporales, si tiene que tener las manos a 100 mm (4") o menos de la hoja durante el corte.

NOTA: La perilla de bloqueo del riel **20** mostrada en la Figura A debe estar suelta para permitir a la sierra deslizarse por los rieles.

Los cortes transversales a inglete se hacen con el brazo de ingletes en un ángulo distinto de cero. Con frecuencia este ángulo es 45° para hacer esquinas, pero puede fijarse en cualquier punto desde cero hasta 48° a la izquierda o 48° a la derecha. Realice el corte como se describe más arriba.



Cuando realice un corte en inglete en piezas de trabajo más anchas que un 2 x 6 que sean más cortas de largo, coloque siempre la parte más larga contra la guía (Fig. K).

Para cortar a través de una línea existente trazada a lápiz en un trozo de madera, haga coincidir el ángulo lo más posible. Corte la madera un poco más larga y mida desde la línea a lápiz hasta

⚠ ADVERTENCIA: El pie de la abrazadera debe permanecer sujetado con la abrazadera por encima de la base de la sierra siempre que se utilice la abrazadera. Siempre sujete la pieza de trabajo con la abrazadera a la base de la sierra (no a cualquier otra pieza del área de trabajo). Asegúrese de que el pie de la abrazadera no esté sujetado al borde de la base de la sierra.

⚠ ADVERTENCIA: Siempre use una abrazadera para el trabajo a fin de mantener el control y reducir el riesgo de dañar la pieza de trabajo y de lesiones personales, si es obligatorio que sus manos estén a no más de 100 mm (4") de la hoja durante el corte.

Si no puede sujetar la pieza de trabajo con la mano sobre la mesa y contra el reborde, (forma irregular, etc.), o si su mano quedara a menos de 100 mm (4") de la hoja, debe utilizar una abrazadera u otro tipo de sujeción.

Use la abrazadera para material suministrada con la sierra. Para comprar una abrazadera para material, comuníquese con su distribuidor local o con un centro de servicio DeWALT.

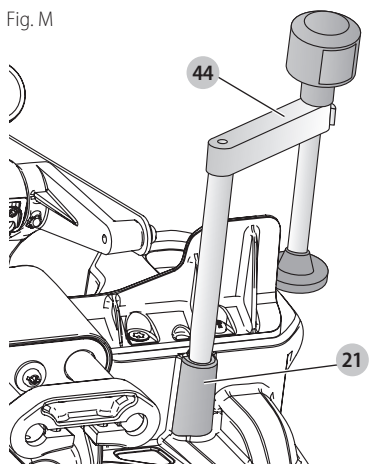
Otros soportes como abrazaderas de muelle, abrazaderas de barra o abrazaderas en C pueden ser apropiados para ciertos tamaños y formas de materiales. Tenga cuidado al seleccionar y colocar estas abrazaderas. Dedique tiempo a hacer una prueba de práctica antes de realizar el corte.

PARA INSTALAR LA ABRAZADERA (Fig. A, M)

1. Inserte la abrazadera **44** en el orificio **21** por detrás de la guía. La ranura en la barra de la abrazadera debe estar completamente dentro de la base. Asegúrese de que esta ranura esté completamente dentro de la base de la sierra ingletadora. Si la ranura está visible, la abrazadera no estará segura.
2. Gire la abrazadera 180° hacia el frente de la sierra ingletadora.
3. Suelte la perilla para ajustar la abrazadera hacia arriba o abajo, luego, utilice la perilla fina ajustable para sostener con firmeza la pieza de trabajo con la abrazadera.

NOTA: Coloque la abrazadera en el lado opuesto de la base al realizar el biselado. SIEMPRE ENSAYE ANTES DE REALIZAR LOS CORTES (SIN CORRIENTE ELÉCTRICA) PARA COMPROBAR EL TRAYECTO DE LA HOJA. ASEGÚRESE DE QUE LA ABRAZADERA NO INTERFERA CON LA ACCIÓN DE LA SIERRA O LOS PROTECTORES.

Fig. M



AJUSTES

⚠ ADVERTENCIA: Para reducir el riesgo de lesiones personales graves, apague la herramienta y quite el paquete de baterías antes de transportar, realizar ajustes o quitar/instalar conexiones o accesorios. Un arranque accidental puede ocasionar lesiones.

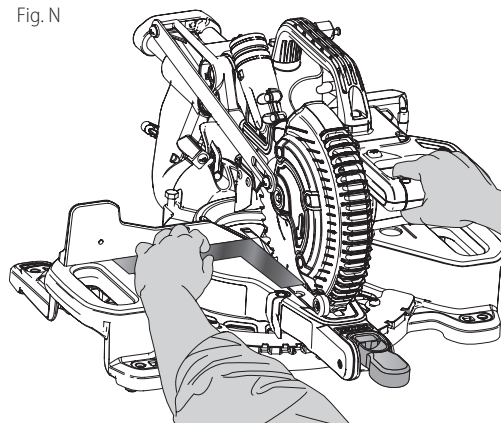
Su sierra ingletadora es ajustada completa y exactamente en la fábrica en el momento de la fabricación. Si se requiere el reajuste debido al envío y manejo o por cualquier otro motivo, siga las instrucciones abajo para ajustar su sierra.

Una vez realizados, estos ajustes deberían seguir siendo precisos. Tómese un poco de tiempo en este momento para seguir estas instrucciones cuidadosamente a fin de mantener la precisión para la que está capacitada su sierra.

Ajuste de la escala de inglete (Fig. F, N)

Bloquee el brazo en la posición hacia abajo. Desbloquee la perilla de fijación de inglete **5** y mueva el brazo de ingletes hasta que el botón de seguro de inglete **6** lo bloquee en la posición de inglete 0°. No bloquee la perilla de fijación de inglete. Coloque una escuadra contra la guía y la hoja de la sierra, como se muestra. (No toque las puntas de los dientes de la hoja con la escuadra. Si lo hace obtendrá una medición inexacta). Si la hoja de la sierra no está exactamente perpendicular a la guía, afloje los tres tornillos **9** que sostienen la escala de inglete **8** y mueva la perilla de fijación de inglete y la escala hacia la izquierda o la derecha hasta que la hoja esté perpendicular a la guía, según se mide con la escuadra. Vuelva a apretar los tres tornillos. En este momento no preste atención a la lectura del indicador del inglete.

Fig. N



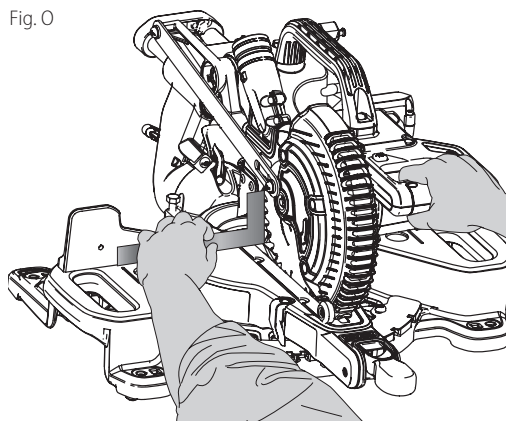
Ajuste del indicador de inglete (Fig. F)

Desbloquee el mecanismo de fijación de inglete jalando hacia arriba la perilla de fijación de inglete **5**. Empuje el botón del seguro de inglete **6** hacia abajo y permita que el seguro del inglete quede fijo en su lugar mientras usted gira el brazo de ingletes hasta la posición cero. Observe el indicador de inglete **33** y la escala de inglete **8** mostrados en la Figura F. Si el indicador no indica exactamente cero, afloje el tornillo del indicador del inglete **34** sujetando el indicador en su sitio, vuelva a colocar el indicador y apriete el tornillo.

Escuadra de bisel para ajuste a la mesa (Fig. A, G, O)

Para alinear la escuadra de la hoja con la mesa, bloquee el brazo en posición hacia abajo con la clavija de bloqueo **23**. Coloque una escuadra contra la hoja, asegurándose de que la escuadra no esté por encima de un diente. Afloje la perilla de fijación de bisel **12** y compruebe que el brazo esté apoyado firmemente contra el tope de bisel a 0°. Gire el tornillo de ajuste de bisel a 0° **45** con la llave de tubo de 1,27 mm (1/2") (no suministrada) según sea necesario de manera que la hoja esté a un bisel de 0° con respecto a la mesa, según se mide con la escuadra.

Fig. O



Indicador de bisel (Fig. G)

Si el indicador de bisel **39** no indica cero, afloje el tornillo que lo sujeta en su sitio **41** y muévelo según sea necesario. Asegúrese de que el bisel 0° sea correcto y el indicador de bisel esté fijado antes de ajustar cualquier otro tornillo de ángulo de bisel.

Ajuste a la izquierda de tope de bisel a 45° (Fig. A, G)

Para ajustar el tope de bisel a la izquierda a 45°, afloje primero la perilla de fijación de bisel e incline el cabezal a la izquierda. Si el indicador de bisel no indica exactamente 45°, gire el tornillo de ajuste de bisel izquierdo de 45° **46** hasta que el indicador de bisel indique 45°.

Activación del protector y visibilidad (Fig. A, W)

⚠ ATENCIÓN: Riesgo de pellizco. Para reducir el riesgo de lesión, mantenga el pulgar por debajo del mango de operación cuando jale el mango hacia abajo. El protector inferior se moverá hacia arriba mientras se tira del mango de operación hacia abajo, lo cual podría ocasionar un pellizco.

El protector inferior **4** de la sierra ha sido diseñado para destapar la hoja automáticamente cuando el brazo se pone hacia abajo y para cubrirla cuando el brazo se levanta.

Antes de cada uso o después de realizar ajustes, mueva el brazo (con la máquina apagada) y asegúrese de que el protector se abra suavemente y se cierre completamente. No debería entrar en contacto con la hoja. Con el brazo levantado, levante el protector (con la máquina apagada) como se muestra en la Figura W y suéltelo. El protector debería cerrarse por completo rápidamente. No use la sierra si el protector no se mueva libremente y no se cierra total y rápidamente. No sujete ni fije el protector en posición abierta cuando esté utilizando la sierra.

El protector puede levantarse con la mano al instalar o extraer una hoja o para inspeccionar la sierra. **NO LEVANTE NUNCA EL PROTECTOR INFERIOR MANUALMENTE A MENOS QUE LA HOJA ESTÉ PARADA.**

NOTA: Para ciertos cortes especiales de material grande tendrá que levantar manualmente el protector. Consulte **Corte de material grande** bajo la sección **Cortes especiales**.

La parte delantera del protector tiene rejillas para permitir la visibilidad mientras se corta. Aunque las rejillas reducen de manera espectacular los desechos volantes, son aberturas en el protector y deben usarse siempre lentes de seguridad.

Ajuste de la guía de rieles (Fig. A)

Compruebe periódicamente los rieles **13** para asegurarse de que no haya huelgos ni espacios. Los rieles pueden limpiarse con un paño limpio y seco. El riel derecho puede ajustarse con el tornillo de fijación **19** mostrado en la Figura A. Para reducir el espacio, utilice una llave hexagonal de 4 mm y gire el tornillo de fijación en sentido horario gradualmente mientras desliza el cabezal de la sierra hacia adelante y hacia atrás. Reduzca el huelgo mientras mantiene la fuerza de deslizamiento mínima.

Soporte de piezas largas

⚠ ADVERTENCIA: Para reducir el riesgo de lesiones personales graves, apague la herramienta y quite el paquete de baterías antes de transportar, realizar ajustes o quitar/instalar conexiones o accesorios. Un arranque accidental puede ocasionar lesiones.

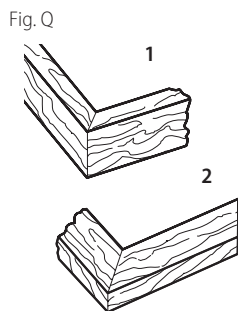
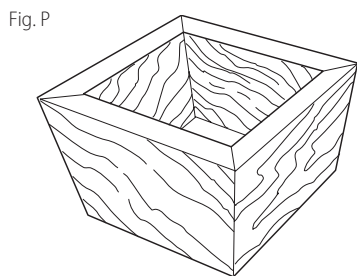
SIEMPRE UTILICE SOPORTES PARA LAS PIEZAS LARGAS.

Nunca ponga a otra persona como extensión del banco, como punto de apoyo adicional para una pieza de trabajo que es más larga o ancha que el banco básico de la sierra ingletadora, o para que lo ayude a cargar, sostener o empujar la pieza de trabajo.

Utilice algún soporte conveniente para apoyar las piezas de trabajo largas, como los caballetes de aserrar u otro dispositivo similar, a fin de evitar que se caigan los extremos de la pieza.

Corte de marcos para fotos, cajas para exhibir objetos y otros elementos de cuatro lados (Fig. P, Q)

Para comprender mejor cómo se fabrican los elementos aquí enumerados, le sugerimos que intente con algunos proyectos simples, usando madera de descarte, hasta que se acostumbre y domine a la sierra.



La sierra es la herramienta perfecta para cortar esquinas a inglete, como la que se muestra en la Figura P. El esquema 1 de la Figura Q muestra un empalme hecho con la regulación de bisel para biselar los bordes de dos placas a 45° cada una y obtener una esquina a 90°. Para hacer este empalme, el brazo del inglete se bloqueó en la posición cero y la regulación de bisel se bloqueó a 45°. La madera se ubicó con el lado plano ancho contra la mesa y el borde angosto contra el reborde. El corte también se podría haber hecho cortando a inglete de derecha a izquierda, con la superficie ancha contra el reborde.

Corte de molduras de terminación y otros marcos (Fig. Q)

El esquema 2 de la Figura Q muestra un empalme realizado con la regulación del brazo de inglete a 45°, para cortar a inglete las dos placas a fin de formar una esquina a 90°. Para hacer este tipo de empalme, fije la regulación del bisel en cero y el brazo de inglete a 45°. Nuevamente, ubique la madera con el lado plano ancho sobre la mesa y el borde angosto contra el reborde.

Las Figuras P y Q son solamente para objetos de cuatro lados.

Si cambia la cantidad de lados, también cambian los ángulos de bisel e inglete. El siguiente cuadro presenta los ángulos adecuados para diferentes formas.

- EJEMPLOS -

NÚMERO DE LADOS	ÁNGULO DE INGLETE O BISEL
4	45°
5	36°
6	30°
7	25,7°
8	22,5°
9	20°
10	18°

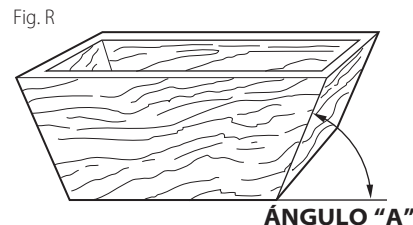
En el cuadro se presupone que todos los lados tienen la misma longitud. Para las formas que no figuran en el cuadro, utilice la siguiente fórmula: Divida 180° por la cantidad de lados y obtendrá el ángulo de inglete (si el material se corta en forma vertical) o bisel (si el material se corta en posición plana).

Corte de ingletes compuestos (Fig. R)

Los ingletes compuestos son cortes que se realizan utilizando un ángulo de inglete y un ángulo de bisel en forma simultánea. Este tipo de corte se utiliza para hacer marcos o cajas con lados inclinados, como el que se muestra en la Figura R.

NOTA: Si el ángulo de corte varía de corte a corte, compruebe que la perilla de fijación de bisel y la palanquita de bloqueo de inglete estén bien bloqueadas. Estos deben ser bloqueados después de hacer cualquier cambio en bisel o inglete.

El gráfico al final de este manual (Tabla 1) le ayudará a seleccionar los ajustes de bisel o inglete adecuados para los cortes de ingletes compuestos más comunes. Para utilizar este cuadro, seleccione el ángulo deseado A (Fig. R) del proyecto y ubique ese ángulo en el arco apropiado del cuadro. Desde ese punto, siga el cuadro en línea recta hacia abajo hasta encontrar el ángulo de bisel correcto y en línea perpendicular, para encontrar el ángulo de inglete correcto.



Fije la sierra en los ángulos indicados y efectúe algunos cortes de prueba. Practique empalmado las piezas cortadas hasta que se familiarice con este procedimiento y se sienta cómodo.

Ejemplo: Para hacer una caja de cuatro lados con ángulos exteriores de 26° (Ángulo A, Fig. R), utilice el arco derecho superior. Busque 26° en la escala del arco. Siga la línea de intersección horizontal hacia cualquiera de los lados para obtener la regulación del ángulo de inglete en la sierra (42°). De la misma manera, siga la línea de intersección vertical hacia la parte superior o inferior para obtener la regulación de ángulo de bisel en la sierra (18°). Siempre pruebe los cortes sobre algunas piezas de madera de descarte para verificar las regulaciones de la sierra.

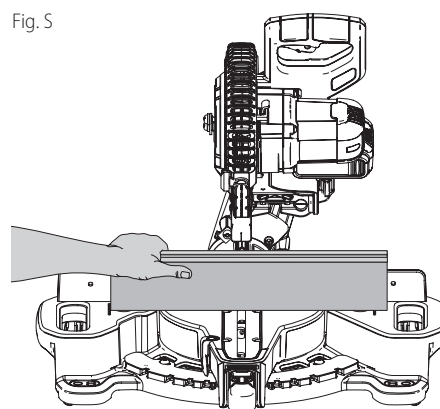
Corte de molduras de base (Fig. S)

Cortes rectos de 90°:

Ubique la madera contra el reborde y sosténgala en posición, como se muestra en la Figura S. Encienda la sierra, permita que la hoja alcance la velocidad máxima y baje el brazo suavemente a través del corte.

Corte de molduras de base desde 89 mm (3,5") de alto verticalmente contra el reborde

Ubique el material como se muestra en la Figura S.



Todos los cortes deben realizarse con la parte posterior de la moldura contra el reborde y con la parte inferior de la moldura contra la mesa.

	ESQUINA INTERIOR	ESQUINA EXTERNA
Lado izquierdo	Inglete izquierdo a 45° ConsERVE el lado izquierdo del corte	Inglete derecho a 45° ConsERVE el lado izquierdo del corte
Lado derecho	Inglete derecho a 45° ConsERVE el lado derecho del corte	Inglete izquierdo a 45° ConsERVE el lado derecho del corte

Para cortar materiales de hasta 89 mm (3,5"), siga la descripción anterior.

Corte de moldura de corona

Debe hacerse un corte de inglete compuesto en la moldura de corona con extrema precisión para que encaje adecuadamente.

Las dos superficies planas en una pieza determinada de moldura de corona están en ángulos que, al sumarlos, equivalen exactamente a 90°. La mayoría de las molduras de corona, pero no

todas, tienen un ángulo trasero superior (la sección que encaja plana contra el techo) de 52° y un ángulo trasero inferior (la parte que encaja plana contra la pared) de 38°.

La sierra ingleteadora tiene puntos de detención de inglete prefijados especiales a 31,6° a la izquierda y a la derecha para cortar las molduras de corona en el ángulo correcto. También hay una marca en la escala de bisel a 33,8°.

La tabla de **Configuración de bisel/Tipo de corte** da las configuraciones correctas para cortar molduras de corona. (Los números para las configuraciones de inglete y bisel son muy precisos y no es fácil fijarlos exactamente en la sierra). Puesto que la mayoría de las habitaciones no tienen ángulos exactos de 90°, tendrá que ajustar sus configuraciones de todas formas.

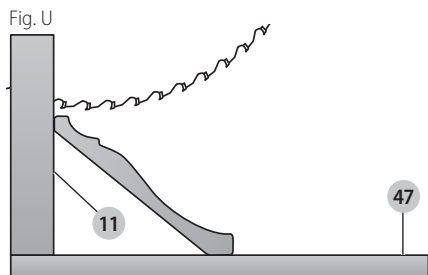
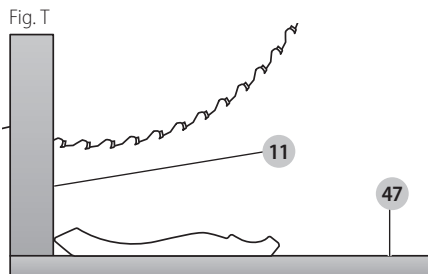
¡ES SUMAMENTE IMPORTANTE REALIZAR PRUEBAS PRELIMINARES CON MATERIAL DE DESECHO!

Instrucciones para cortar molduras de corona colocándolas planas y utilizando las características de cortes compuestos

1. Coloque la moldura con la superficie trasera ancha hacia abajo plana sobre la mesa de la sierra (Fig. T).
2. Las configuraciones a continuación son para todas las molduras de corona estándares (EE.UU.) con ángulos de 52° y 38°.

CONFIGURACIÓN DE BISEL	TIPO DE CORTE
33,8°	LADO IZQUIERDO, ESQUINA INTERIOR: 1. Parte superior de la moldura contra la guía 2. Mesa para cortes a inglete fijada a la derecha a 31,62° 3. Conserve el extremo izquierdo del corte
33,8°	LADO DERECHO, ESQUINA INTERIOR: 1. Parte inferior de la moldura contra la guía 2. Mesa para cortes a inglete fijada a la izquierda a 31,62° 3. Conserve el extremo izquierdo del corte
33,8°	LADO IZQUIERDO, ESQUINA EXTERIOR: 1. Parte inferior de la moldura contra la guía 2. Mesa para cortes a inglete fijada a la izquierda a 31,62° 3. Conserve el extremo derecho del corte
33,8°	LADO DERECHO, ESQUINA EXTERIOR: 1. Parte superior de la moldura contra la guía 2. Tabla de inglete fijada a la derecha a 31,62° 3. Conserve el extremo derecho del corte

NOTA: Al configurar los ángulos de bisel e inglete para todos los ingletes compuestos, recuerde que los ángulos presentados para las molduras de corona son muy precisos y difíciles de fijar exactamente. Puesto que pueden moverse ligeramente y muy pocas habitaciones tienen esquinas exactamente cuadradas, **deben probarse todas las configuraciones en restos de moldura.**



¡ES SUMAMENTE IMPORTANTE REALIZAR PRUEBAS PRELIMINARES CON MATERIAL DE DESECHO!

Método alternativo para cortar molduras de corona

Coloque la moldura en ángulo entre la guía (11) y la mesa de la sierra (47), con la parte superior de la moldura sobre la mesa y la parte inferior de la moldura sobre la guía, como se muestra en la Figura U.

La ventaja de cortar molduras de corona utilizando este método es que no se requiere corte bisel. Pueden realizarse cambios mínimos en el ángulo de inglete sin afectar el ángulo de biselado. De esta forma, cuando se encuentran esquinas que no sean de 90°, la sierra puede ajustarse fácil y rápidamente para las mismas.

Instrucciones para cortar molduras de corona con ángulo entre la guía y la base de la sierra para todos los cortes

Esta sierra puede cortar molduras de corona anidadas de hasta 14 mm (9/16") x 92 mm (3-5/8").

1. Coloque la moldura en ángulo de manera que la parte inferior de la moldura (la parte que está contra la pared cuando está instalada) esté contra la guía (11) y la parte superior de la moldura descansa sobre la mesa de la sierra (47), como se muestra en la Figura T.
2. Las superficies planas angulares de la parte trasera de la moldura deben descansar en ángulo recto sobre la guía y la mesa de la sierra.

	ESQUINA INTERIOR	ESQUINA EXTERIOR
Lado izquierdo	Inglete derecho a 45° Conserve el lado derecho del corte	Inglete izquierdo a 45° Conserve el lado derecho del corte
Lado derecho	Inglete izquierdo a 45° Conserve el lado izquierdo del corte	Inglete derecho a 45° Conserve el lado izquierdo del corte

Cortes especiales

NO REALICE NUNCA NINGÚN CORTE A MENOS QUE EL MATERIAL ESTÉ FIRMEMENTE SUJETO SOBRE LA MESA Y CONTRA LA GUÍA.

Material arqueado (Fig. U, V)

Al cortar material arqueado colóquelo siempre como se muestra en la Figura U y nunca como se muestra en la Figura V. Colocar el material incorrectamente hará que pellizque la hoja cuando se esté terminando el corte.

Fig. U

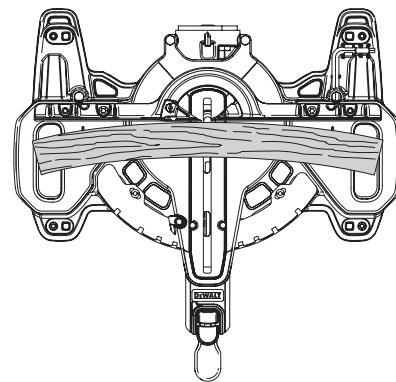
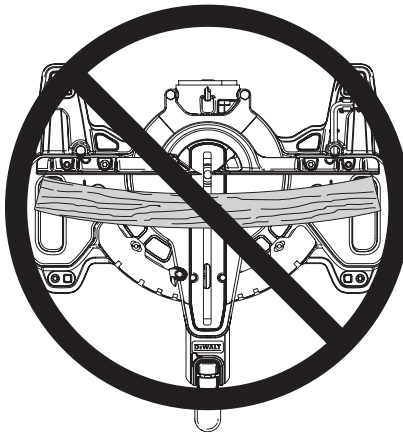


Fig. V



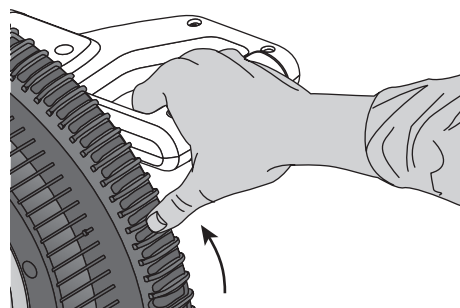
Corte de material redondo

el material redondo debe sujetarse o sostenerse firmemente a la guía para evitar que salga rodando. Esto es sumamente importante al realizar cortes en ángulo.

Corte de material grande (Fig. W)

Ocasionalmente se encontrará con una pieza de madera demasiado grande para que quepa por debajo del protector inferior. Para pasar el protector sobre la madera, con la sierra apagada y su mano derecha en el mango de operación, coloque su pulgar derecho fuera de la parte superior del protector y enróllelo hacia arriba lo suficiente para pasar sobre la madera, según se muestra en la Figura W. Suelte el protector antes de encender el motor. El mecanismo de protección funcionará correctamente durante el corte. Haga esto sólo cuando sea necesario. **NO ATE, PEGUE O MANTENGA ABIERTO EL PROTECTOR DE OTRO MODO CUANDO UTILICE ESTA SIERRA.**

Fig. W



MANTENIMIENTO

⚠️ ADVERTENCIA: Para reducir el riesgo de lesiones personales graves, apague la herramienta y quite el paquete de baterías antes de transportar, realizar ajustes o quitar/installar conexiones o accesorios. Un arranque accidental puede ocasionar lesiones.

⚠️ ADVERTENCIA: Para reducir el riesgo de lesiones personales graves, NO toque las partes cortantes de la hoja con los dedos o las manos al realizar tareas de mantenimiento.

No utilice los lubricantes o los limpiadores (particularmente aerosol o aerosol) en la vecindad del protector plástico. El material del polycarbonato usado en el protector está conforme a ataque al lado de ciertos productos químicos.

- Todos los rodamientos están sellados. Están lubricados de por vida y no necesitan más mantenimiento.
- Regularmente quite el polvo y las astillas de madera de alrededor Y DEBAJO de la base y la mesa giratoria. Si bien hay ranuras para permitir que pasen los residuos, siempre se acumula algo de polvo.
- Las escobillas están diseñadas para funcionar durante varios años. Si necesitan ser reemplazadas, devuelva la herramienta al centro de servicio más cercano para que sea reparada.

Limpieza

⚠️ ADVERTENCIA: Sople la suciedad y el polvo de todos los conductos de ventilación con aire seco, al menos una vez por semana. Para reducir el riesgo de lesiones, utilice siempre protección para los ojos aprobada ANSI Z87.1 al realizar esta tarea.

⚠️ ADVERTENCIA: Nunca utilice solventes ni otros químicos abrasivos para limpiar las piezas no metálicas de la herramienta. Estos productos químicos pueden debilitar los materiales plásticos utilizados en estas piezas. Utilice un paño humedecido sólo con agua y jabón neutro. Nunca permita que penetre líquido dentro de la herramienta ni sumerja ninguna de las piezas en un líquido.

limpieza del conducto de extracción de polvo

Dependiendo de su entorno de corte, el aserrín puede obstruir el conducto de extracción de polvo e impedir que el aserrín fluya adecuadamente lejos del área de corte. Con la batería sacada y el cabezal de la sierra totalmente levantado, pueden usarse aire a baja presión o una varilla de pasador de diámetro grande para sacar el aserrín del conducto de extracción de polvo.

Accesorios

⚠️ ADVERTENCIA: Debido a que no se han probado con este producto otros accesorios que no sean los que ofrece DeWALT., el uso de dichos accesorios con esta herramienta podría ser peligroso. Para reducir el riesgo de lesiones, con este producto deben usarse sólo los accesorios recomendados por DeWALT.

Los accesorios que se recomiendan para utilizar con la herramienta están disponibles a un costo adicional en su distribuidor local o en un centro de mantenimiento autorizado. Si necesita ayuda para localizar algún accesorio, póngase en contacto con DeWALT Industrial Tool Co., 701 East Joppa Road, Towson, MD 21286, llame al 1-800-4-DEWALT (1-800-433-9258) o visite nuestro sitio web: www.dewalt.com.

Reparaciones

El cargador y las unidades de batería no pueden ser reparados.

⚠️ ADVERTENCIA: Para asegurar la SEGURIDAD y la CONFIABILIDAD del producto, las reparaciones, el mantenimiento y los ajustes (inclusive la inspección y el cambio de las escobillas, cuando proceda) deben ser realizados en un centro de mantenimiento en la fábrica DeWALT u en un centro de mantenimiento autorizado DeWALT. Utilice siempre piezas de repuesto idénticas.

Para reparación y servicio de sus herramientas eléctricas, favor de dirigirse al Centro de Servicio más cercano

CULIACAN, SIN

Blvd. Emiliano Zapata 5400-1 Poniente Col. San Rafael (667) 717 89 99

GUADALAJARA, JAL

Av. La Paz #1779 - Col. Americana Sector Juárez (33) 3825 6978

MEXICO, D.F.

Eje Central Lázaro Cárdenas No. 18 - Local D, Col. Obrera (55) 5588 9377

MERIDA, YUC

Calle 63 #459-A - Col. Centro (999) 928 5038

MONTERREY, N.L.

Av. Francisco I. Madero 831 Poniente - Col. Centro (818) 375 23 13

PUEBLA, PUE

17 Norte #205 - Col. Centro (222) 246 3714

QUERETARO, QRO

Av. San Roque 274 - Col. San Gregorio (442) 2 17 63 14

SAN LUIS POTOSI, SLP

Av. Universidad 1525 - Col. San Luis (444) 814 2383

TORREON, COAH

Blvd. Independencia, 96 Pte. - Col. Centro (871) 716 5265

VERACRUZ, VER

Prolongación Díaz Mirón #4280 - Col. Remes (229) 921 7016

VILLAHERMOSA, TAB

Constitución 516-A - Col. Centro (993) 312 5111

PARA OTRAS LOCALIDADES:

Si se encuentra en México, por favor llame al (55) 5326 7100

Si se encuentra en U.S., por favor llame al 1-800-433-9258 (1-800 4-DEWALT)

Póliza de Garantía

IDENTIFICACIÓN DEL PRODUCTO:

Sello o firma del Distribuidor.

Nombre del producto: _____

Mod./Cat.: _____

Marca: _____

Núm. de serie: _____

(Datos para ser llenados por el distribuidor)

Fecha de compra y/o entrega del producto: _____

Nombre y domicilio del distribuidor donde se adquirió el producto: _____

Este producto está garantizado por un año a partir de la fecha de entrega, contra cualquier defecto en su funcionamiento, así como en materiales y mano de obra empleados para su fabricación. Nuestra garantía incluye la reparación o reposición del producto y/o componentes sin cargo alguno para el cliente, incluyendo mano de obra, así como los gastos de transportación razonablemente erogados derivados del cumplimiento de este certificado.

Para hacer efectiva esta garantía deberá presentar su herramienta y esta póliza sellada por el establecimiento comercial donde se adquirió el producto, de no contar con ésta, bastará la factura de compra.

Excepciones

Esta garantía no será válida en los siguientes casos:

- Cuando el producto se hubiese utilizado en condiciones distintas a las normales;
- Cuando el producto no hubiese sido operado de acuerdo con el instructivo de uso que se acompaña;
- Cuando el producto hubiese sido alterado o reparado por personas distintas a las enlistadas al final de este certificado.

Anexo encontrará una relación de sucursales de servicio de fábrica, centros de servicio autorizados y franquiciados en la República Mexicana, donde podrá hacer efectiva su garantía y adquirir partes, refacciones y accesorios originales.

Registro en línea

Gracias por su compra. Registre su producto ahora para:

- **SERVICIO EN GARANTÍA:** Si completa esta tarjeta, podrá obtener un servicio en garantía más eficiente, en caso de que exista un problema con su producto.
- **CONFIRMACIÓN DE PROPIEDAD:** En caso de una pérdida que cubra el seguro, como un incendio, una inundación o un robo, el registro de propiedad servirá como comprobante de compra.
- **PARA SU SEGURIDAD:** Si registra el producto, podremos comunicarnos con usted en el caso improbable que se deba enviar una notificación de seguridad conforme a la Federal Consumer Safety Act (Ley Federal de Seguridad de Productos para el Consumidor).

Registro en línea en www.dewalt.com/register.

Garantía limitada por tres años

DEWALT reparará, sin cargo, cualquier falla que surja de defectos en el material o la fabricación del producto, por hasta tres años a contar de la fecha de compra. Esta garantía no cubre fallas de las piezas causadas por su desgaste normal o abuso a la herramienta. Para mayores detalles sobre la cobertura de la garantía e información acerca de reparaciones realizadas bajo garantía, visítenos en

www.dewalt.com o diríjase al centro de servicio más cercano. Esta garantía no aplica a accesorios o a daños causados por reparaciones realizadas o intentadas por terceros. ESTA GARANTÍA LIMITADA SE OTORGA EN VEZ DE TODAS LAS DEMÁS, INCLUIDA LA GARANTÍA IMPLÍCITA DE COMERCIABILIDAD Y APTITUD PARA UN FIN PARTICULAR, Y EXCLUYE TODOS LOS DAÑOS INCIDENTALES O CONSECUENTES. Algunos estados no permiten limitaciones sobre la duración de una garantía implícita, o la exclusión o limitación de daños incidentales o consecuentes, así que estas limitaciones pueden no aplicarse a usted. Esta garantía le otorga derechos legales específicos, además de los cuales usted puede tener otros derechos dependiendo del estado o la provincia en que se encuentre.

Además de la garantía, las herramientas DEWALT están cubiertas por:

1 AÑO DE SERVICIO GRATUITO

DEWALT mantendrá la herramienta y reemplazará las piezas gastadas por su uso normal, sin cobro, en cualquier momento durante un año a contar de la fecha de compra.

2 AÑOS DE SERVICIO GRATUITO PARA UNIDADES DE ALIMENTACIÓN DEWALT

DC9071, DC9091, DC9096, DC9182, DC9280, DC9360, DCB120, DCB127, DCB201, DCB203, DCB203BT, DCB207, DCB361

3 AÑOS DE SERVICIO GRATUITO PARA UNIDADES DE ALIMENTACIÓN DEWALT

DCB200, DCB204, DCB204BT, DCB205, DCB205BT, DCB206, DCB606, DCB609

NOTA: La garantía del producto quedará nula si la unidad de batería ha sido alterada de cualquier manera. DEWALT no es responsable de ninguna lesión causada por alteraciones y podría iniciar un procedimiento judicial por fraude de garantía hasta el máximo grado permisible por la ley.

GARANTÍA DE REEMBOLSO DE SU DINERO POR 90 DÍAS

Si no está completamente satisfecho con el desempeño de su máquina herramienta, láser o clavadora DEWALT, cualquiera sea el motivo, podrá devolverlo hasta 90 días de la fecha de compra con su recibo y obtener el reembolso completo de su dinero – sin necesidad de responder a ninguna pregunta.

AMÉRICA LATINA: Esta garantía no se aplica a los productos que se venden en América Latina. Para los productos que se venden en América Latina, debe consultar la información de la garantía específica del país que viene en el empaque, llamar a la compañía local o visitar el sitio Web a fin de obtener esa información.

REEMPLAZO GRATUITO DE LAS ETIQUETAS DE ADVERTENCIAS: Si sus etiquetas de advertencia se vuelven ilegibles o faltan, llame al 1-800-433-9258 (1-800-4-DEWALT) para que se le reemplacen gratuitamente.

ESPECIFICACIONES

DCS361 20 V Máx* 3750/min

Solamente para propósito de México:

Importado por: DEWALT Industrial Tool Co. S.A. de C.V.

Avenida Antonio Dovali Jaime, # 70 Torre B Piso 9

Colonia La Fe, Santa Fé

Código Postal : 01210

Delegación Alvaro Obregón

México D.F.

Tel. (52) 555-326-7100

R.F.C.: BDE810626-1W7

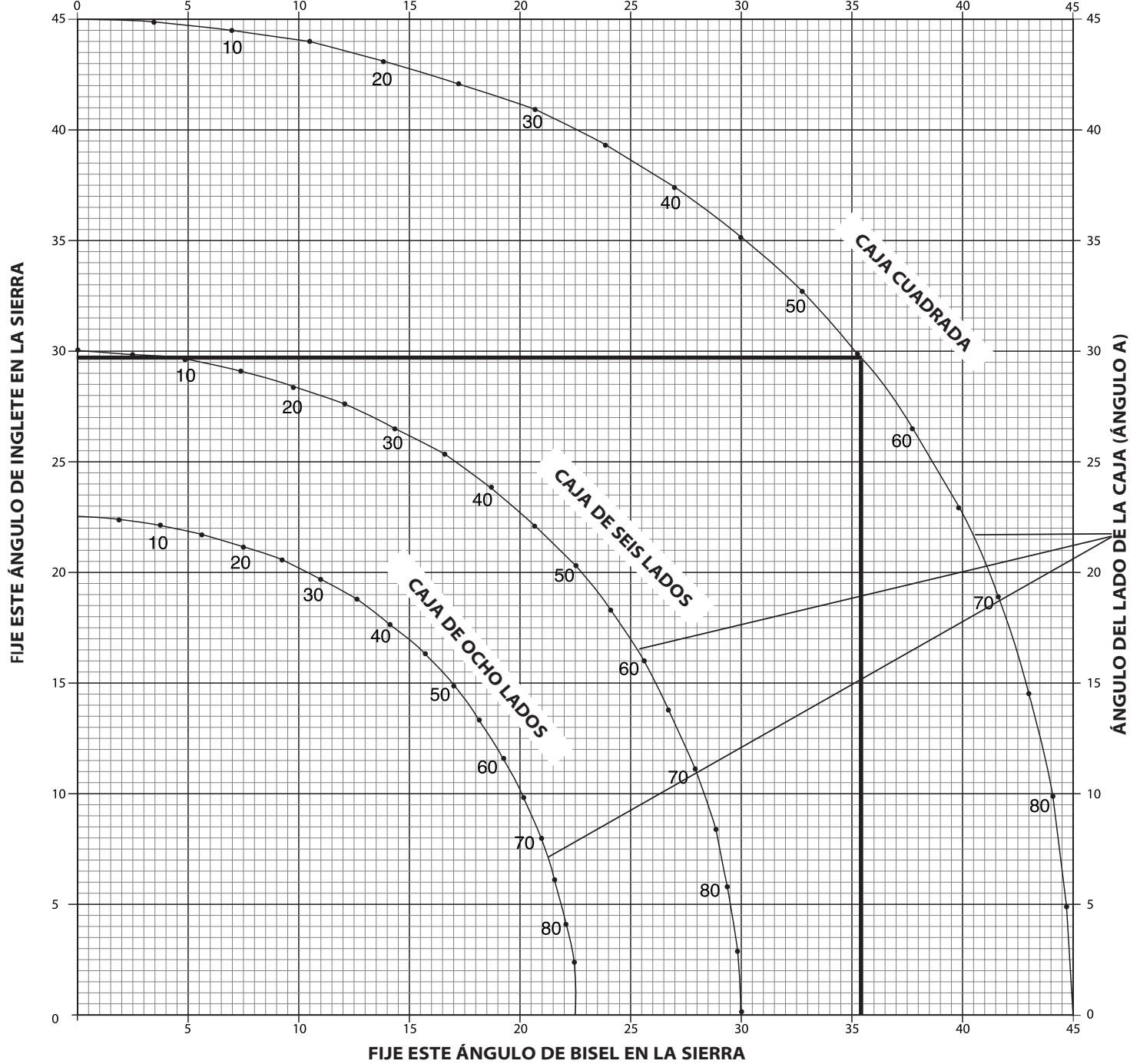
Guía para solucionar problemas

ASEGÚRESE DE SEGUIR LAS REGLAS E INSTRUCCIONES DE SEGURIDAD

PROBLEMA	¿QUÉ SUCEDE?	QUÉ HACER...
La sierra no se enciende	La batería no está instalada.	Instale la batería. Consulte la sección Instalación y extracción de la batería.
	La batería no está cargada	Cargue la batería. Consulte la sección Procedimiento de carga.
	Las escobillas están desgastadas	Lleve las escobillas a un centro de servicio autorizado para que sean reemplazadas.
La sierra realiza cortes no satisfactorios	Hoja sin filo	Reemplace la hoja. Consulte Cambio o instalación de una hoja de sierra nueva.
	Hoja montada al revés	Vire la hoja. Consulte Cambio o instalación de una hoja de sierra nueva.
	Depósitos de goma o grumos de resina sobre la hoja	Retire la hoja y límpiela con lana de acero gruesa y trementina, o limpiador de hornos caseros.
La luz de trabajo CUTLINE está intermitente	Hoja incorrecta para el trabajo que se realiza	Cambie el tipo de hoja. Consulte Hojas de sierra en Accesorios opcionales.
	La batería no está cargada	Cargue la batería. Consulte la sección Procedimiento de carga.
La hoja no alcanza velocidad	Cable prolongador demasiado liviano o demasiado largo	Reemplácelo por un cable de tamaño adecuado. Consulte Consulte las Calibre mínimo para juegos de cables en Instrucciones de seguridad importantes.
	Baja corriente en el hogar	Comuníquese con la empresa de energía eléctrica.
La máquina vibra excesivamente	La sierra no está montada firmemente en el soporte o banco de trabajo	Apriete todos los tornillos de montaje. Consulte Montaje en el banco de trabajo.
	El soporte o el banco están sobre un piso desparejo	Reubique sobre una superficie de nivel plano. Consulte Familiarizarse con la herramienta.
	Hoja de sierra dañada	Reemplace la hoja. Consulte Cambio o instalación de una hoja de sierra nueva.
No realiza cortes de inglete precisos	La escala de inglete no está correctamente regulada	Verifique y regule. Consulte las Ajuste de la escala de inglete en Ajustes.
	La hoja no está en escuadra con el reborde	Verifique y regule. Consulte las Ajuste de la escala de inglete en Ajustes.
	La hoja no está perpendicular a la mesa	Verifique y ajuste el reborde. Consulte las Ajuste de reborde en Ajustes.
	La pieza de trabajo se mueve	Sujete la pieza de trabajo al reborde o engome un papel de lija de 120 al reborde con cemento para caucho.
El material muerde la hoja	La placa indicadora de corte está desgastada o dañada	Llévela a un centro de servicio autorizado.
	Cortes de material curvado	Consulte las Material curvado en Cortes especiales.

TABLA 1: CORTE DE INGLETE COMPUESTO

(UBIQUE LA MADERA CON EL LADO PLANO ANCHO SOBRE LA MESA Y EL BORDE ANGOSTO CONTRA EL REBORDE)



DeWALT BATTERY AND CHARGER SYSTEMS

**Chargers/Charge Time (Minutes) . Chargeurs/Durée de charge (Minutes) .
Cargadores de baterías/Tiempo de carga (Minutos)**

Battery Cat #	Output Voltage	120 Volts															12 Volts			
		DC9000	DC9310	DC9320	DC8095	DCB102	DCB103	DCB104	DCB107	DCB112	DCB113	DCB114	DCB115	DCB116	DCB118	DCB132	DCB119	DW0249	DCB412	
DCB609	20/60	X	X	X	X	135	135	75	432	270	230	X	135	X	75	135	X	X	X	
DCB606	20/60	X	X	X	X	100	100	60	272	170	140	X	90	X	60	90	X	X	X	
DCB404	40	X	X	X	X	X	X	X	X	X	X	90	X	30	X	X	X	X	130	
DCB406	40	X	X	X	X	X	X	X	X	X	X	130	X	45	X	X	X	X	190	
DCB407	40	X	X	X	X	X	X	X	X	X	X	170	X	60	X	X	X	X	235	
DC9360	36	45	X	X	X	X	X	X	X	X	X	X	X	X	X	X	X	X	X	
DCB361	36	45	X	X	X	X	X	X	X	X	X	X	X	X	X	X	X	X	X	
DC9280	28	60	X	X	X	X	X	X	X	X	X	X	X	X	X	X	X	X	X	
DW0242	24	X	X	X	X	X	X	X	X	X	X	X	X	X	X	X	X	X	60	X
DCB200	20	X	X	X	X	60	60	45/30**	140	90	67	X	45	X	45/30**	45	90	X	X	X
DCB201	20	X	X	X	X	30	30	22	70	45	35	X	22	X	22	22	45	X	X	X
DCB203	20	X	X	X	X	35	35	30	90	60	45	X	30	X	30	30	60	X	X	X
DCB203BT*	20	X	X	X	X	35	35	30	90	60	45	X	30	X	30	30	60	X	X	X
DCB204	20	X	X	X	X	70	70	60/40**	185	120	90	X	60	X	60/40**	60	120	X	X	X
DCB205	20	X	X	X	X	95	95	75/47**	240	150	112	X	75	X	75/47**	75	150	X	X	X
DCB205BT*	20	X	X	X	X	95	95	75	240	150	112	X	75	X	75	75	150	X	X	X
DCB206	20	X	X	X	X	100	100	60	272	170	140	X	90	X	60	90	X	X	X	X
DCB207	20	X	X	X	X	30	30	22	60	40	30	X	22	X	22	22	X	X	X	X
DCB230	20	X	X	X	X	60	60	45	140	90	67	X	45	X	45	45	90	X	X	X
DC9182	18	X	40	40	X	X	40	X	X	X	X	X	X	X	X	X	X	40	X	X
DCB120	12	X	X	X	X	30	30	20	60	45	35	X	20	X	X	X	45	X	X	X
DCB127	12	X	X	X	X	35	35	30	90	60	50	X	30	X	X	X	60	X	X	X
DCB080	8	X	X	X	X	60	X	X	X	X	X	X	X	X	X	X	X	X	X	X

*BT - Bluetooth® **NOTE:** The Bluetooth® word mark and logos are registered trademarks owned by the Bluetooth®, SIG, Inc. and any use of such marks by DeWALT is under license. Other trademarks and trade names are those of their respective owners.

**Battery Datecode 201536 or later.

"X" Indicates that the battery pack is not compatible with that specific charger. All charge times are approximate. Actual charge time may vary. Read the instruction manual for more specific information.

"X" indique que le bloc-piles n'est pas compatible avec ce chargeur. Les durées de charge sont approximatives; la durée de charge réelle peut varier. Lire le manuel d'utilisation pour obtenir des renseignements plus précis.

Una "X" indica que el paquete de baterías no es compatible con ese determinado cargador. El tiempo de duración de carga es aproximado; la duración de carga real puede variar. Lea el manual de instrucciones para obtener información más precisa.

* Maximum initial battery voltage (measured without a workload) is 20, 60 or 120 volts. Nominal voltage is 18, 54 or 108.
(120V Max* is based on using 2 DeWALT 60V Max* lithium-ion batteries combined.)

* La tension initiale maximum du bloc-piles (mesurée à vide) est de 20, 60 ou 120 volts. La tension nominale est de 18, 54 ou 108. (120 V max* se base sur l'utilisation combinée de 2 blocs-piles au lithium ion DeWALT de 60 V max*).

* El máximo voltaje inicial de la batería (medido sin carga de trabajo) es 20, 60 o 120 voltios. El voltaje nominal es de 18, 54 o 108. (120 V Máx* se basan en el uso de 2 baterías de iones de litio DeWALT de 60 V Máx* combinadas).